



***Studio 22***  
***Balanced Flue***  
**Instructions for Use,**  
**Installation and Servicing**  
**For use in GB, IE (Great Britain and Eire)**

This appliance has been certified for use in countries other than those stated. To install this appliance in these countries, it is essential to obtain the translated instructions and in some cases the appliance will require modification. Contact Gazco for further information.

**IMPORTANT**

Do not attempt to burn rubbish in this appliance. This appliance must only be operated with the glass door secured firmly in position. The front casing of this appliance will become hot whilst in operation, it is therefore recommended that a suitable guard should be used for the protection of young children, the elderly or infirm.

These instructions must be left at the property for future reference and when servicing the fire.

The Commissioning Sheet found on page 3 must be completed by the Corgi Installer.

COVERING THE FOLLOWING MODEL:  
STUDIO 22 BALANCED FLUE: 8704BFLEC P8704BFLEC

	PAGE
<b>APPLIANCE COMMISSIONING CHECKLIST</b>	<b>3</b>
<b>USER INSTRUCTIONS</b>	<b>4</b>
<b>INSTALLATION INSTRUCTIONS</b>	<b>9</b>
Technical Specifications	9
Site Requirements	12
Installation	16
Commissioning	28
<b>SERVICING INSTRUCTIONS</b>	<b>29</b>
Fault Finding	29
How to replace parts	31
Basic spare parts list	37
Service Records	38

# APPLIANCE COMMISSIONING CHECKLIST

## IMPORTANT NOTICE

Explain the operation of the appliance to the end user, hand the completed instructions to them for safe keeping, as the information will be required when making any guaranteed claims.

FLUE CHECK	PASS	FAIL
1. Flue is correct for appliance		
2. Flue flow test N/A		
3. Spillage test N/A		
GAS CHECK		
1. Gas soundness & let by test		
2. Standing pressure test	mb	
3. Appliance working pressure (on High Setting) NB All other gas appliances must be operating on full	mb	
4. Gas rate	m <sup>3</sup> /h	
5. Does ventilation meet appliance requirements	N/A	

## DEALER AND INSTALLER INFORMATION

Dealer .....

.....

.....

Contact No.....

Date of Purchase.....

Model No.....

Serial No.....

Gas Type.....

Installation Company .....

.....

.....

Engineer .....

Contact No.....

Corgi Reg No.....

Date of Installation .....

This product is guaranteed for 2 years from the date of installation, as set out in the terms and conditions of sale between Gazco and your local Gazco dealer. **This guarantee will be invalid, to the extent permitted by law, if the above Appliance Commissioning Checklist is not fully completed by the installer and available for inspection by a Gazco engineer.** The guarantee will only be valid during the second year, to the extent permitted by law, if the annual service recommended in the Instructions for Use has been completed by a Corgi registered engineer, and a copy of the service visit report is available for inspection by a Gazco engineer.

# USER INSTRUCTIONS

## 1. GENERAL

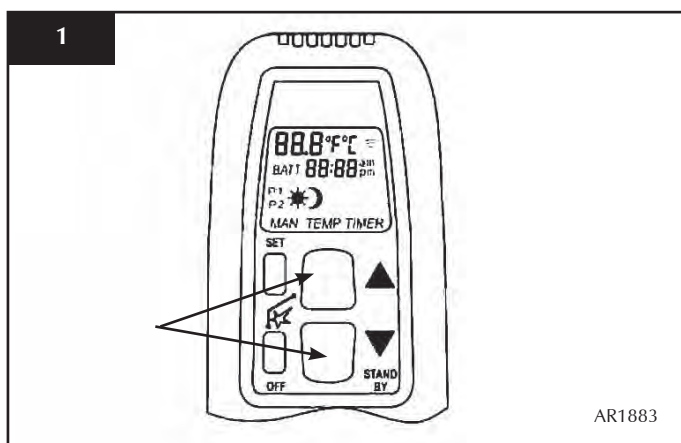
- 1.1 A competent person must carry out installation and servicing.
- 1.2 In all correspondence, please quote the appliance type and serial number, which can be found on the data badge located on a plate under the access panel, see *Diagram 2, Installation*.
- 1.3 **Do not** place curtains above the fire:  
You must have 300mm (1') clearance between the fire and any curtains at either side.
- 1.4 If any cracks appear in the glass panel do not use the appliance until the panel has been replaced.
- 1.5 In the unlikely event the appliance is receiving interference from other electronic devices, the handset/Control box can be reprogrammed. Please consult your dealer if you think this may be the case.
- 1.6 If, for any reason, the flue has to be removed from the appliance, the seals must be replaced in the inner spigot.
- 1.7 Do not obstruct the flue terminal in any way, i.e. by planting flowers, trees shrubs etc in the near vicinity, or by leaning objects up against the terminal guard.
- 1.8 Do not use a garden sprinkler or hose near the terminal.
- 1.9 This product is guaranteed for 2 years from the date of installation, as set out in the terms and conditions of sale between Gazco and your local Gazco dealer. Please consult with your local Gazco dealer if you have any questions. In all correspondence always quote the Model Number and Serial Number.

## 2. LIGHTING THE STUDIO

There are two ways of lighting the Studio:

- by thermostatic remote control, see 2A
- using the fire's touch pad, see 2B

### 2A - THERMOSTATIC and TIMER REMOTE CONTROL



### Turning the Studio On

Your remote can control the gas fire from pilot ignition through to shut down.

To turn the fire on:

- Press the OFF button and the UP button simultaneously. You hear several short signals.

**The pilot and main burner ignite and the remote is now in Manual Mode. In 'MANUAL MODE' you can:**

- turn on the main burner
- regulate the flame from high to low and back
- turn off the burner leaving just the pilot burning

In 'TEMP MODE' you can:

- set the room temperature so the thermostat in the remote automatically maintains that temperature

In 'TIMER MODE' the fire:

- turns on and off according to the set time periods
- automatically regulates the room temperature during the set periods

**NOTE: WHEN OPERATING THE FIRE IN TEMP OR TIMER MODE, THE PILOT REMAINS LIT AND THE FIRE THEN AUTOMATICALLY SWITCHES ON AT PROGRAMMED TIMES TO BRING THE ROOM TO THE SET TEMPERATURE WHETHER OR NOT YOU ARE IN THE ROOM.**

**NEVER LEAVE ANY COMBUSTIBLE MATERIALS WITHIN 1 METRE OF THE FRONT OF THE APPLIANCE.**

### 2.1 SWITCHING BETWEEN MODES

- Press the SET button to change to Manual Operation
- Press again to change to Temperature Mode
- Keep pressing to run through all operating modes. These are:
  - MAN
  - DAY TEMP
  - NIGHT TEMP
  - TIMERand back to MAN

**NOTE: MAN mode can also be reached by pressing either the UP or DOWN button**

### 2.2 MAN MODE

- Press both the UP arrow and immediately press the OFF button to light the appliance. You hear a click as the fire begins the ignition process, (up to 30 seconds)
- Press the OFF button to turn the appliance off

#### INCREASING TEMPERATURE

- Press the UP arrow once to increase flame height one stage
- Press and hold the UP arrow to increase to maximum

#### DECREASING TEMPERATURE

- Press the DOWN arrow once to decrease flame height one stage

# USER INSTRUCTIONS

- Press and hold the DOWN arrow to decrease to minimum

At the lowest point the fire goes to 'standby mode' (only pilot lit)

**Note: While pressing a button, a symbol indicating transmission appears on the display. The receiver confirms transmission with an acoustic signal.**

## Turning the Studio Off

- Press the OFF button to extinguish the pilot

## 2.3 TEMP MODE

The display shows the current **room** temperature.

To increase or decrease the fire's output:

- Press the SET button to select either the DAY TEMP or the NIGHT TEMP mode by briefly pressing the SET button
- Hold the SET button until the TEMP display flashes and then let go
- Set the desired temperature with the UP and DOWN arrows. (Minimum temperature 5C, maximum 30C or 41F to 86F when fahrenheit is the preferred option)
- Press the OFF button to stop the display flashing or wait to return to TEMP mode.

**NOTE: If you set a temperature that is beneath the current room temperature, the fire automatically switches to OFF.**

**NOTE: If you would like the Night temperature control to turn off then decrease the temperature until [---] is displayed.**

## 2.4 TIMER MODE

There are two programmable settings you can make over a 24 hour period, P1 and P2.

- P1 + ● = Start Timed Setting 1
- P1 + ☺ = End of Timed Setting 1
- P2 + ● = Start Timed Setting 2
- P2 + ☺ = End of Timed Setting 2

### 2.4.1 P1 - Program 1 for a Timed Setting

- Press the SET button until the TIMER mode is displayed
- Hold the SET button. The display flashes the current time for P1. **While the time displayed is flashing you can alter the hours and minutes set.**

To set the time your fire first lights, change P1 ●

- Press the UP arrow to alter the hour
- Press the DOWN arrow to alter the minutes in 10 minute increments
- Press SET again to move to the end setting for P1 ☺ This is the time your Studio first shuts down:
  - Press the UP arrow to alter the hour
  - Press the DOWN arrow to alter the minutes

### 2.4.2 P2 - Program 2 for a Timed Setting

Use the same steps outlined in 2.4.1 to change the setting for P2.

If you have already set P1 and want to alter the setting for P2 only:

- Press the SET button until TIMER mode is displayed
- Hold the SET button **until the display flashes the current time** for P1 ●
- Press the SET button once again to scroll past the settings for P1 ● and P1 ☺

With the time still flashing:

- Press the UP arrow to alter the hour
- Press the DOWN arrow to alter the minutes

Once all four times are set press the OFF button or simply wait to complete programming.

## 2.5 LOW BATTERY

"BATT" is displayed on the remote when its batteries need replacement.

## 2.6 SETTING THE TIME

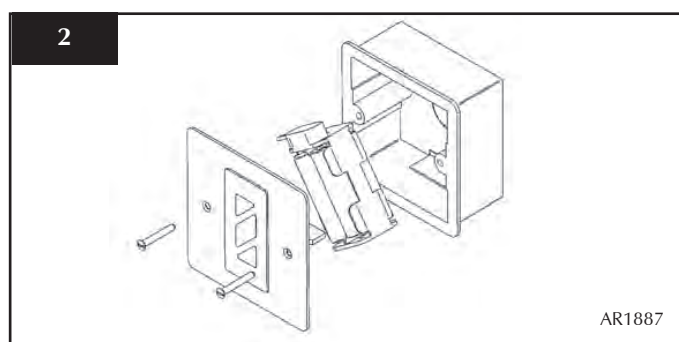
- Simultaneously press the UP and DOWN arrow buttons
- Press the up button to set the hour and the down button to set the minutes
- Press OFF to return to the manual mode or simply wait

## 2.7 SETTING THE °C/24 HOUR OR °F/12 HOUR CLOCK

- Press OFF and the down arrow until the display changes from °C/24 hour clock to °F/12 hour clock and vice versa.

**If the remote is removed, lost or damaged, signals transmitted to the receiver cease. Your fire will go to standby (pilot) mode after 6 hours.**

## 2B - TOUCH PAD CONTROL



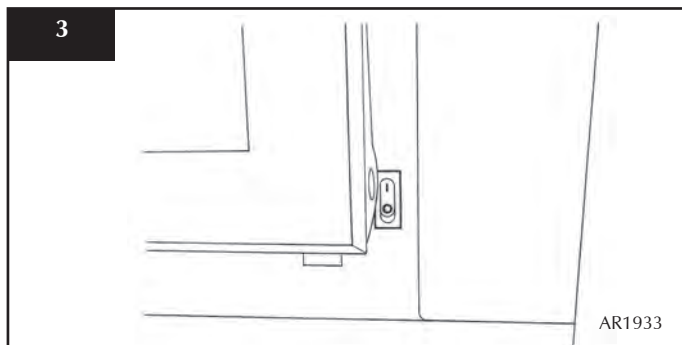
- Press the ON-OFF button to light the appliance, (up to 30 seconds)
- Press the UP button to increase the flame height
- Press the DOWN button to decrease the flame height. At the lowest point it goes to 'standby mode', (only pilot lit)
- Press the ON-OFF button to turn the appliance off

# USER INSTRUCTIONS

## EMERGENCY SHUT OFF

If the batteries fail during use of the fire, move the switch to the OFF (O) position, Diagram 3

(This switch is set to be ON during normal operation and must remain ON)



## 3. CLEANING THE STUDIO

3.1 Make sure the fire and surrounds are cool before cleaning.

Use:

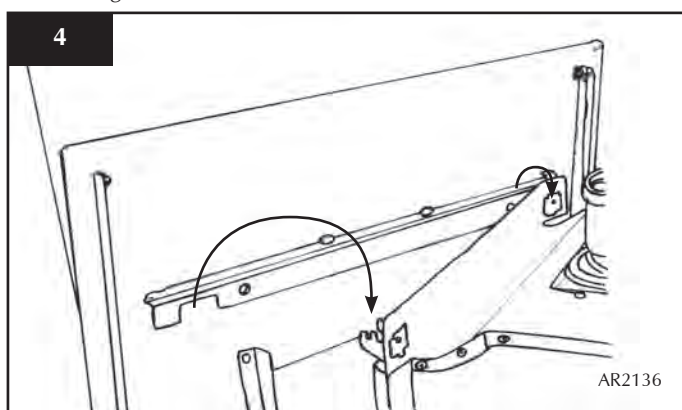
- A damp cloth for the painted frame
- Use soap and water to clean the glass

3.2 **Opening the Glass Door**

**3.2.1 Steel Frame only**

**[If fitted with a Steel Frame, this needs to be removed first:**

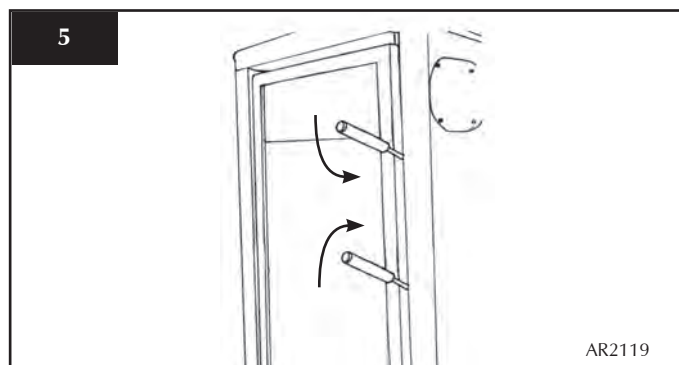
- Lift the frame upwards off its four support brackets, Diagram 4



3.3 **All models**

Using the allen key provided to release the upper and lower catches on the right side of the door:

- Slide the allen key into the gap between the door and frame and locate the catch of the upper lock
- Push the allen key DOWN
- Slide the allen key into the gap and locate the lower lock
- Push the allen key UP



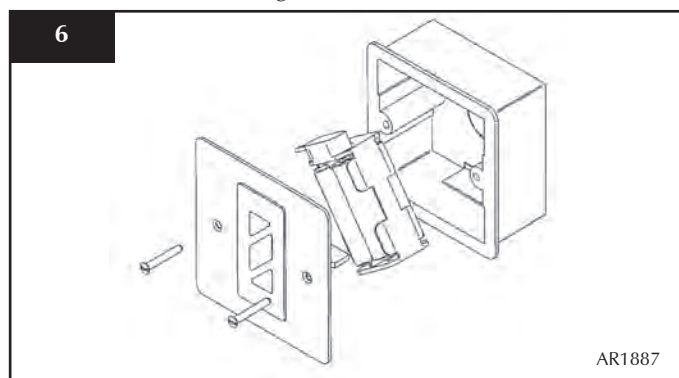
- Open the door outwards

**When closing the door ensure the door catches are fully engaged.**

## 4. CHANGING THE STUDIO BATTERIES

The appliance batteries are located behind the wall switch plate.

- Undo the two screws securing the wall switch and plate and remove, Diagram 6

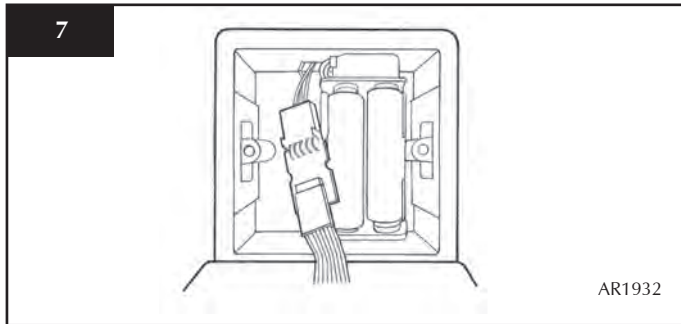


- Correctly position the four new AA size batteries
- Re-assemble the battery holder as shown in Diagram 7
- Ensure the touch pad cable is tucked to the left on fitting the wall plate back onto the wall, Diagram 7

**PLEASE ENSURE NO WIRES ARE TRAPPED BEFORE REPLACING THE WALL PLATE. THE TOUCH PAD LEAD IS EASILY DAMAGED.**



# USER INSTRUCTIONS



## 5. ARRANGEMENT OF FUEL BED

### ADVICE ON HANDLING AND DISPOSAL OF FIRE CERAMICS

The fuel effect and side panels in this appliance are made from Refractory Ceramic Fibre (RCF), a material which is commonly used for this application.

Protective clothing is not required when handling these articles, but we recommend you follow normal hygiene rules of not smoking, eating or drinking in the work area and always wash your hands before eating or drinking.

To ensure that the release of RCF fibres are kept to a minimum, during installation and servicing a HEPA filtered vacuum is recommended to remove any dust accumulated in and around the appliance before and after working on it.

When servicing the appliance it is recommended that the replaced items are not broken up, but are sealed within heavy duty polythene bags and labelled as RCF waste.

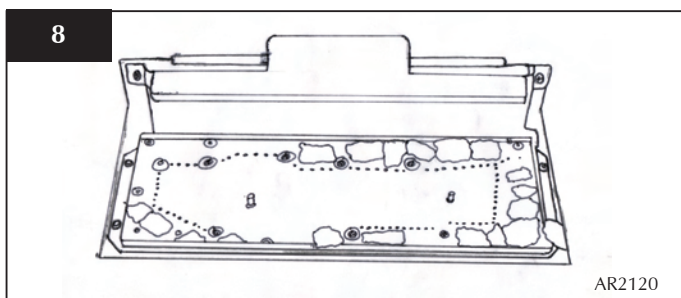
RCF waste is classed as stable, non-reactive hazardous waste and may be disposed of at a licensed landfill site.

Excessive exposure to these materials may cause temporary irritation to eyes, skin and respiratory tract; wash hands thoroughly after handling the material.

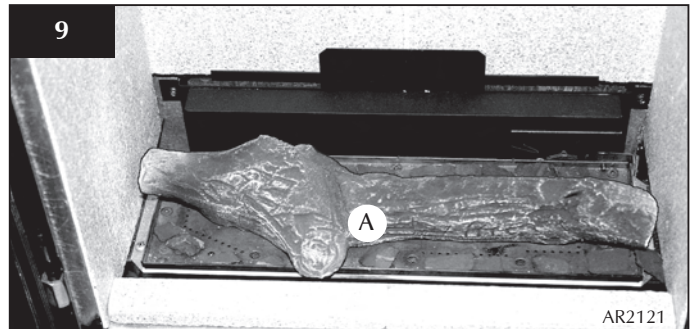
After cleaning the fire or replacing parts, carefully re-assemble the ceramic components. **WHEN THE EMBERS ARE PLACED ON THE BURNER IT IS IMPORTANT THEY DO NOT COVER ANY PORTS!**

The fuel bed is made up of embers and 6 logs, identifiable by moulded letters on their base:

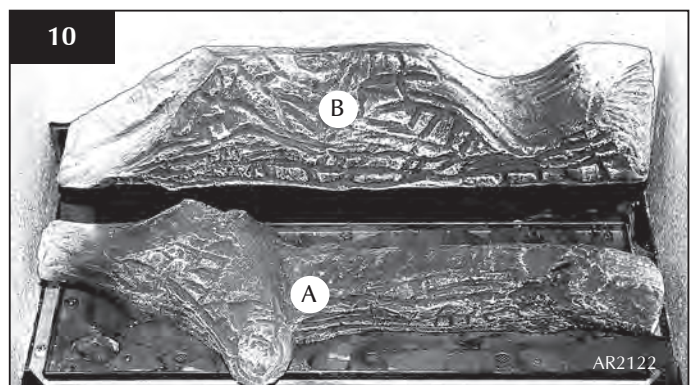
- 5.1 Place the embers around the burner holes as shown in Diagram 8. **Do not cover any of the holes.**



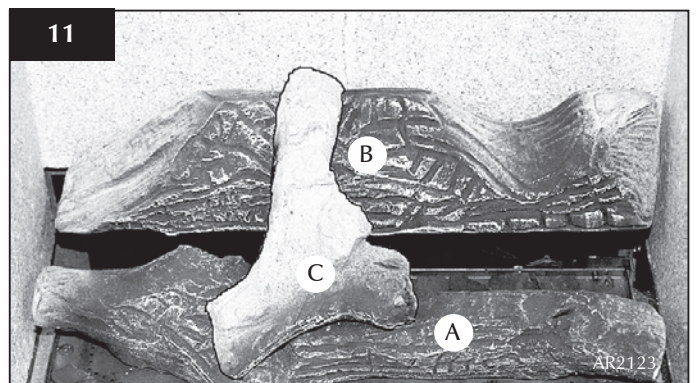
- 5.2 Place Log A onto the two studs on the burner skin, Diagram 9, with charred effect of the log facing forward.



- 5.3 Place Log B on the ledge at the rear of the fire, Diagram 10.

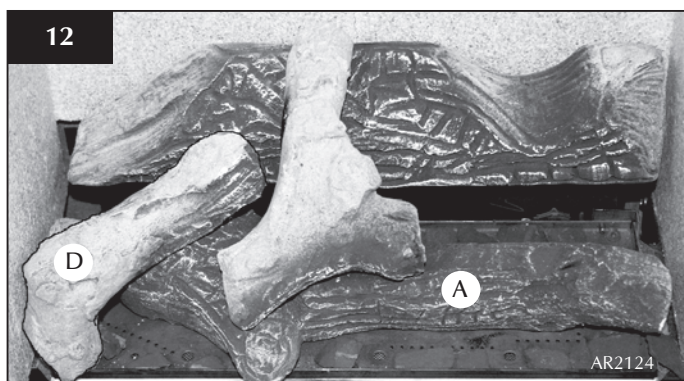


- 5.4 Place Log C so that the back end sits in the groove in the rear of Log B and the front left rests in the cut-out groove in Log A, Diagram 11.

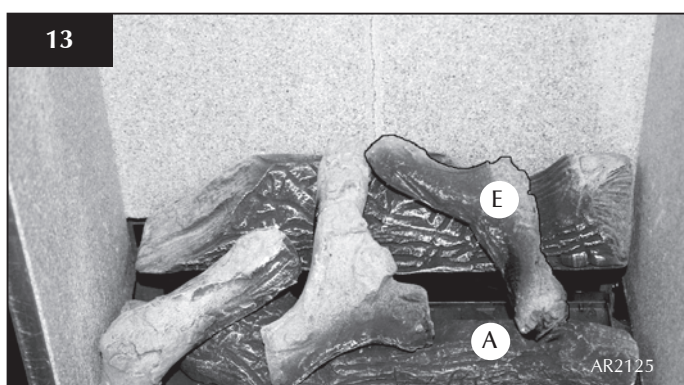


- 5.5 Position Log D so that the underneath rests in the groove of Log A, and the triangular groove in the base of Log D fits into the corner of the burner, Diagram 12.

# USER INSTRUCTIONS



- 5.6 Put the groove in the base of Log E into the indent on the right of Log A. The left branch rests on the upper end of Log C, Diagram 13.



- 5.7 Log F rests against Log B at its far right end, between Log B and the side panel. The front end of Log F sits on the front panel, see Diagram 14



You must ensure the door catches are fully engaged:

- Slide the allen key into the gap between the door and frame and locate the catch of the lower lock
- Push the allen key DOWN
- Slide the allen key into the gap and locate the upper lock
- Push the allen key UP

## 6. FLAME FAILURE DEVICE

- 6.1 This is a safety feature incorporated on this appliance which automatically switches off the gas supply if the pilot goes out and fails to heat the thermocouple.

## 7. RUNNING IN

- 7.1 The surface coating on the metal used in your GAZCO fire will "burn off" during the first few hours of use producing a harmless and temporary odour. This will disappear after a short period of use. If the odour persists, ask your installer for advice.

## 8. SERVICING

- 8.1 The fire must be serviced every 12 months by a qualified Gas Engineer. In all correspondence always quote the Model number and the Serial number which may be found on the data badge.

## 9. VENTILATION

- 9.1 Any purpose provided ventilation should be checked periodically to ensure that it is free from obstruction.

## 10. INSTALLATION DETAILS

- 10.1 Your installer should have completed the commissioning sheet at the front of this book. This records the essential installation details of the appliance. In all correspondence always quote the Model number and Serial number.

## 11. HOT SURFACES

- 11.1 Parts of this appliance become hot during normal use.
- Regard all parts of the appliance as a 'working surface'
  - Provide a suitable fire guard to protect young children and the infirm

## 12. FIRE WILL NOT LIGHT

- 12.1 If you cannot light the Studio:
- Check that the emergency shut off switch is in the ON (1) position, see *Section 2, Emergency Shut Off*
  - Check and change the batteries in the remote handset
  - Check and change the appliance batteries, *Section 4*.
- Consult your Gazco dealer if the Studio still does not light.



# INSTALLATION INSTRUCTIONS

## TECHNICAL SPECIFICATION

COVERING THE FOLLOWING MODELS:

STUDIO 22 BF: 8704BFLEC P8704BFLEC

Model	Gas CAT.	Gas Type	Working Pressure	Nox Class	Aeration	Injector	Gas Rate m <sup>3</sup> /h	Input kW (Gross)		Country
								High	Low	
8704BFLEC	I <sub>2H</sub>	Natural Gas (G20)	20 mbar	4	5 x 16 mm	530	0.715	7.5	3.75	GB, IE
P8704BFLEC	I <sub>3P</sub>	Propane (G31)	37 mbar		16 x 24 (1) 6 x 15 (1)	200	0.254	7	3.6	GB, IE
<b>REAR EXIT WALL THICKNESS</b>			Min 200 mm - Max 550 mm							
<b>Efficiency Class II</b>										
Flue Outlet Size Ø 150mm										
Flue Inlet Size Ø 100mm										
Gas Inlet Connection Size Ø 8mm										

### RESTRICTOR REQUIREMENT

#### VERTICAL & HORIZONTAL FLUE SPECIFICATIONS

Vertical Flue Height from Top of Appliance	Horizontal Length	Restrictor Size
200 mm	500 mm	No restrictor
500 mm	1000 mm	No restrictor
1000 mm to 1500 mm	250 mm to 5000 mm	Ø 70 mm
1510 mm to 3000	250 mm to 5000 mm	Ø 60 mm
<b>TOP EXIT - VERTICAL INCLUDING OFFSET</b>		
Vertical Flue Height from Top of Appliance	Restrictor Size	
3000 mm up to 4990 mm	Ø 52 mm	
5000 mm up to 10,000 mm	Ø 47 mm	

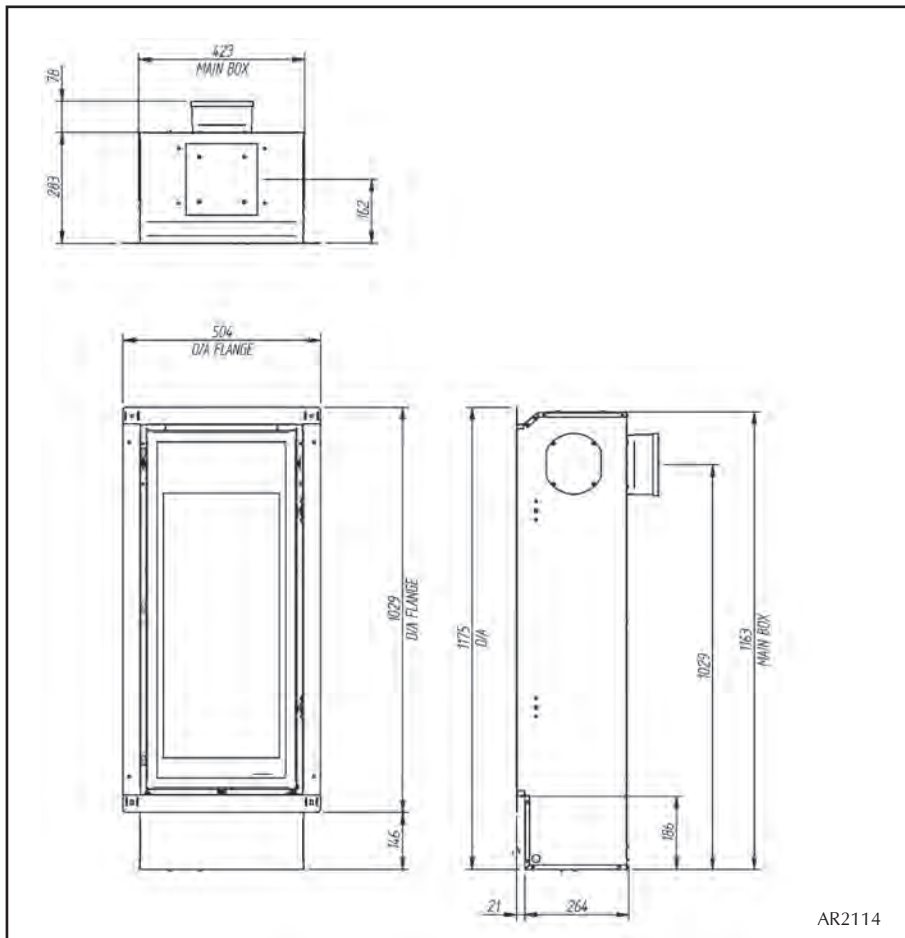
# INSTALLATION INSTRUCTIONS

## TECHNICAL SPECIFICATION

This appliance has been certified for use in countries other than those stated. To install this appliance in these countries, it is essential to obtain the translated instructions and in some cases the appliance will require modification. Contact Gazco for further information.

### PACKING CHECKLIST

Qty Description	Fixing Kit containing:-
1 Log Set	1 x Instruction Manual 4 x Wood Screws 4 x Rawl Plugs 1 x Handset 4 x AA cell batteries 1 x 9V cell batteries 1 x Wall box 1 x Touch pad/wall plate 1 x Battery holder 1 x Foam seal



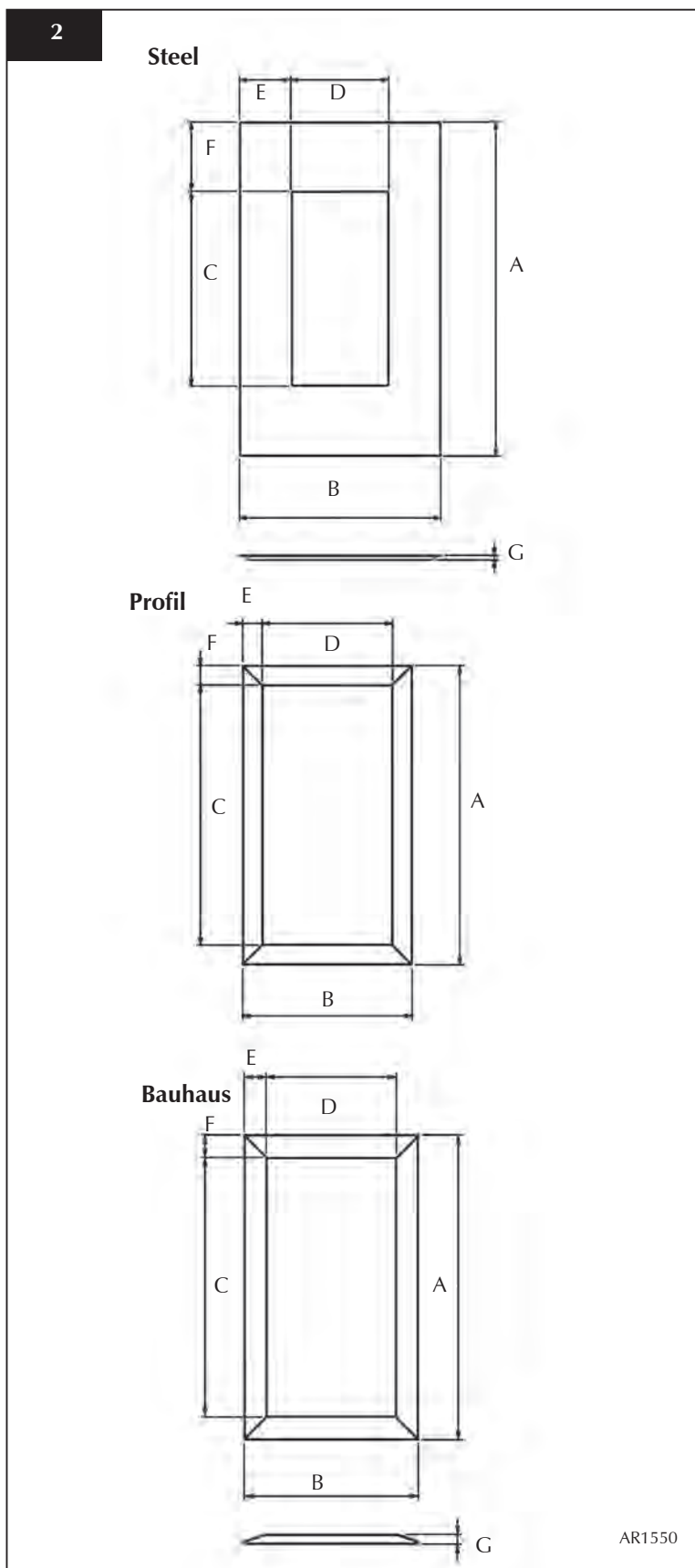
# INSTALLATION INSTRUCTIONS

## TECHNICAL SPECIFICATION

Steel Frame Dimensions	
Dimension:	Size (mm)
A	1350
B	675
C	846
D	320
E	177
F	237
G	25

Profil Frame Dimensions	
Dimension:	Size (mm)
A	1036
B	510
C	940
D	414
E	48
F	48
G	12.5

Bauhaus Frame Dimensions	
Dimension:	Size (mm)
A	1050
B	524
C	940
D	414
E	55
F	55
G	28



# INSTALLATION INSTRUCTIONS

## SITE REQUIREMENTS

### 1. FLUE AND CHIMNEY REQUIREMENTS

**Note: This appliance must only be installed with the flue supplied.**

You must adhere to the following:

- 1.1 The flue must be sited in accordance with BS5440: Part 1 (latest edition). See Diagram 1.
- 1.2 Fit a guard to protect people from any terminal less than 2 metres above any access such as level ground, a balcony or above a flat roof.
- 1.3 All vertical and horizontal flues must be securely fixed and fire precautions followed in accordance with local and national codes of practice.
- 1.4 A restrictor may be required. Refer to Technical Specifications on page 9.

- 1.5 Three types of flue termination are possible, rear, top exit horizontal and top exit vertical. To measure for a top exit horizontal terminal:

- Decide on the terminal position
- Measure the height from the top of the appliance to the centre of the required outlet.

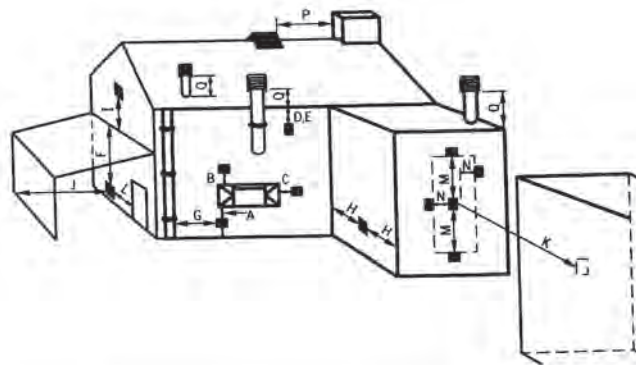
For minimum and maximum flue dimensions see *Section 2, Flue Options*.

- Allow enough room either above or to the side of the appliance to assemble the flue on top
- Assemble a horizontal flue in the following order:
  - Vertical section
  - 90° elbow
  - Horizontal plus terminal
- Support the opening of a masonry installation with a lintel.

- 1.7 Only the horizontal terminal section can be reduced in size.

1

#### UK Dimensions



Dimension	Terminal position	Minimum Distance
A*	Directly below an opening, air brick, opening windows, etc.	600mm
B*	Above an opening, air brick, opening windows, etc.	300mm
C*	Horizontally to an opening, air brick, opening windows, etc.	400mm
D	Below gutters, soil pipes or drain pipe	300mm
E	Below eaves	300mm
F	Below balconies or car port roof	600mm
G	From a vertical drain pipe or soil pipe	300mm
H	From an internal or external corner	600mm
I	Above group roof or balcony level	300mm
J	From a surface facing the terminal (also see 6.1.2)	600mm
K	From a terminal facing the terminal	600mm
L	From an opening in the car port (e.g. door, window) into the dwelling	1200mm
M	Vertically from a terminal on the same wall	1500mm
N	Horizontally from a terminal on the same wall	300mm
O	From the wall on which the terminal is mounted	N/A
P	From a vertical structure on the roof	600mm
Q	Above intersection with roof	300mm

\* In addition, the terminal should not be nearer than 300mm to an opening in the building fabric formed for the purpose of accommodating a built-in element such as a window frame.



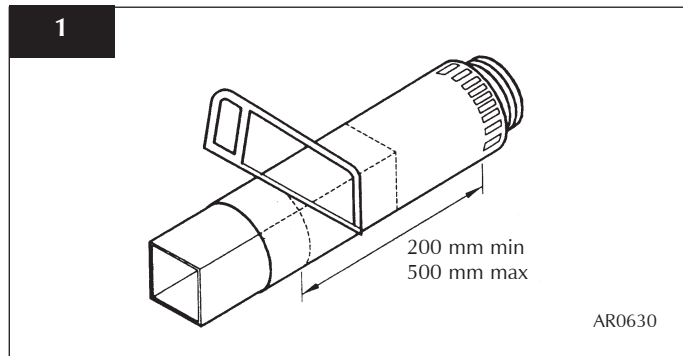
# INSTALLATION INSTRUCTIONS

## SITE REQUIREMENTS

### 2. FLUE OPTIONS

#### REAR EXIT (8708)

- Cut to length as required on site



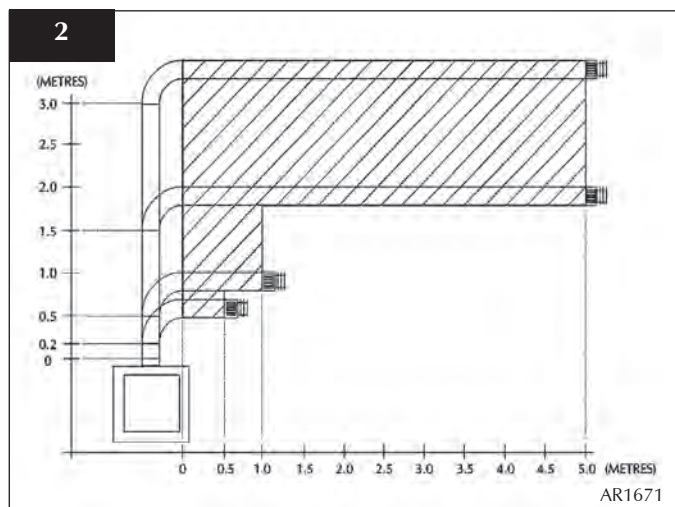
Guard Supplied.

#### TOP EXITS

##### 2.1 TOP FLUE UP & OUT KIT (8534)

This flue is vertical from the top of the appliance then horizontally out. (See Diagram 2). The basic kit comprises:

- 1 x 200mm vertical length
- 1 x 500mm terminal length (cut to length on site)
- 1 x 90° elbow
- 1 x wall plate
- 1 x 70mm restrictor
- 1 x 60mm restrictor

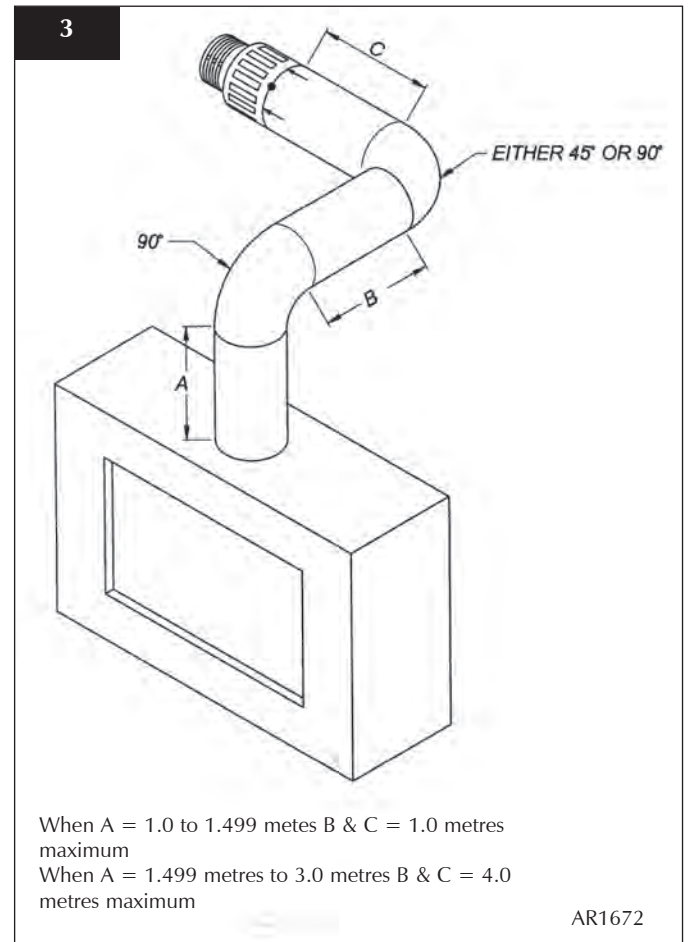


#### NOTE:

The start of the bend to the centre line of horizontal flue is 170mm.

The centre line of vertical flue to end of bend is 220mm.

##### 2.2 TOP FLUE UP & OUT WITH ADDITIONAL BEND



When A = 1.0 to 1.499 metres B & C = 1.0 metres maximum  
 When A = 1.499 metres to 3.0 metres B & C = 4.0 metres maximum

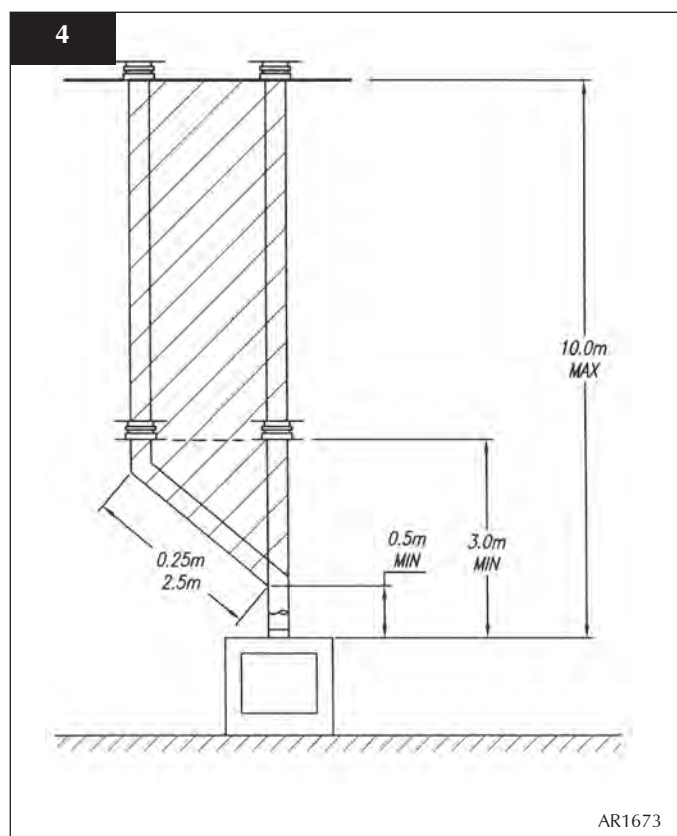
Any additional bend may be used on the horizontal section (either 45° or 90°), but the overall horizontal flue run will be reduced. Refer to Diagram 3.

# INSTALLATION INSTRUCTIONS

## SITE REQUIREMENTS

### 2.3 TOP FLUE VERTICAL KIT (8524/8524AN)

Vertical from the top of the appliance (See Diagram 4).



A minimum vertical rise 3m (9'10") to a maximum 10m (32'10"). The basic kit comprises:

- 2 x 1m lengths
- 1 x 1m terminal length
- 1 x 52mm restrictor
- 1 x 47mm restrictor
- 1 x 60mm restrictor

Extra lengths may be added from the list below.

### 2.4 TOP FLUE VERTICAL OFFSET KIT (8530/8530AN)

Used with kit 8524. A minimum rise of 500mm (19 1/2") is required to the first bend. See Diagram 1C.

### 2.5 EXTRA FLUE LENGTHS

All flue components are 150mm diameter (6")

NOMINAL LENGTH	ACTUAL LENGTH	STAINLESS FINISH	ANTHRACITE FINISH
200mm	140mm	8527	8527AN
500mm	440mm	8528	8528AN
1000mm	940mm	8529	8529AN
40° Bend	N/A	8507	8507AN
90° Bend	N/A	8508	8508AN

**NOTE: Carefully consider:**

- a) **Terminal positions**
- b) **Flue supports**
- c) **Weatherproofing**
- d) **Fire precautions**

For all the above options, you must conform to local and national codes of practice .

## 3. GAS SUPPLY

**THIS APPLIANCE IS INTENDED FOR USE ON A GAS INSTALLATION WITH A GOVERNED METER.**

- 3.1 Before installation, ensure that the local distribution conditions (identification of the type of gas and pressure) and the adjustment of the appliance are compatible.
- 3.2 Ensure the gas supply delivers the required amount of gas and is in accordance with the rules in force.
- 3.3 You can use soft copper tubing on the installation and soft soldered joints outside the appliance and below the fire.
- 3.4 A factory fitted isolation device is part of the inlet connection; no further isolation device is required.
- 3.5 All supply gas pipes must be purged of any debris that may have entered prior to connection to the appliance.
- 3.6 The gas supply enters through the silicone panel located on the bottom or rear of the outer box:
  - Slit with a sharp knife prior to passing the supply pipe through.
- 3.7 The gas supply must be installed in a way that does not restrict the removal of the appliance for servicing and inspection.

## 4. VENTILATION

- 4.1 This appliance requires no additional ventilation.

# INSTALLATION INSTRUCTIONS

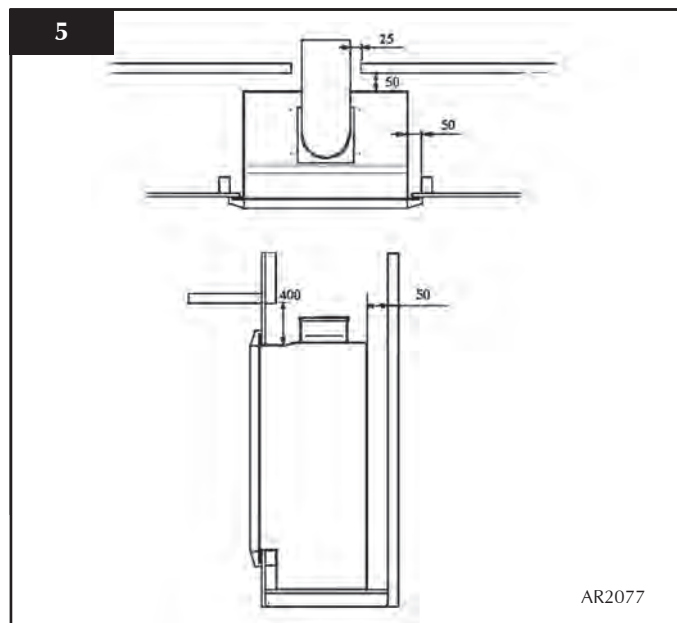
## SITE REQUIREMENTS

### 5. APPLIANCE LOCATION

- 5.1 Please note this appliance has been specifically designed for studwork applications although installation into other constructions, including masonry, is entirely feasible. **There are two methods of installation, see *Installation Instructions 3.2 Frame, 3.3 Edge***
- 5.2 This appliance must stand on a non-combustible hearth/platform that is at least 12mm thick.

**NOTE: It is recommended you construct the back panel of the fireplace from natural materials cut into three or more sections to prevent cracking. Resin-based materials may not be suitable. This appliance is an effective heat producer and attention must be paid to the construction and finish of the fireplace.**

- 5.3 A combustible shelf must be:
- maximum 150mm in depth
  - minimum, 400mm high above the fire
- A combustible side wall must be a minimum of 150mm from the appliance.



# INSTALLATION INSTRUCTIONS

## INSTALLATION

**IMPORTANT:** REFER TO DATA BADGE AND TECHNICAL SPECIFICATION AT THE FRONT OF THE MANUAL TO ENSURE THE APPLIANCE IS CORRECTLY ADJUSTED FOR THE GAS TYPE AND CATEGORY APPLICABLE IN THE COUNTRY OF USE.

FOR DETAILS OF CHANGING BETWEEN GAS TYPES REFER TO SECTION 10, **SERVICING**, 'REPLACING PARTS'.

### 1. SAFETY PRECAUTIONS

- 1.1 For your own and other's safety, you must install this fire according to local and national codes of practice. Failure to install the fire correctly could lead to prosecution:
    - Read these instructions before installing and using this fire.
  - 1.2 These instructions must be left intact with the user.
  - 1.3 Do not attempt to burn rubbish on this appliance.
  - 1.4 Keep all plastic bags away from young children.
  - 1.5 Do not place any object on or near to the appliance and allow adequate clearance above the appliance.
- IF THE APPLIANCE IS EXTINGUISHED OR GOES OUT IN USE, WAIT 3 MINUTES BEFORE ATTEMPTING TO RELIGHT THE APPLIANCE.

### 2. INSTALLATION OF THE APPLIANCE

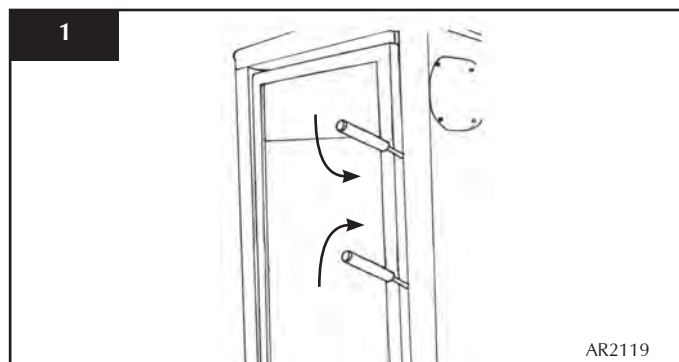
**REFER TO THE SITE REQUIREMENTS SECTION FOR ALL FLUE OPTIONS.**

This stove is suitable for top or rear flue exit.

- For top exit, read *Section 8.2*
- For rear flue exit, read *Section 8.1*

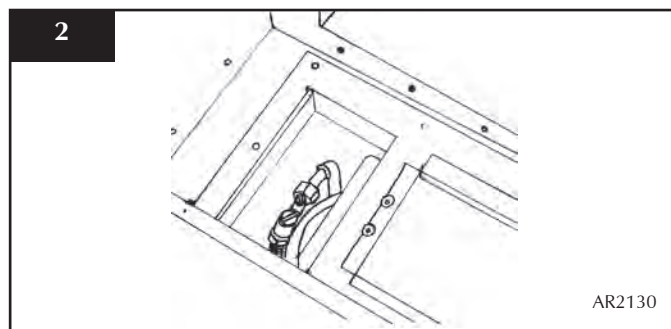
THERE IS AN OPTIONAL DUCT KIT, CODE No. 8572 WHICH CAN BE FITTED AT THE SAME TIME AS THE APPLIANCE INSTALLATION.

- 2.1
  - Remove the appliance from the carton and discard all unnecessary packaging
  - Ensure no components are thrown away when unpacking
- 2.2 To open the glass door, use the allen key provided:
  - Slide the allen key into the gap between the door and frame and locate the catch of the upper lock
  - Push the allen key DOWN
  - Slide the allen key into the gap and locate the lower lock
  - Push the allen key UP

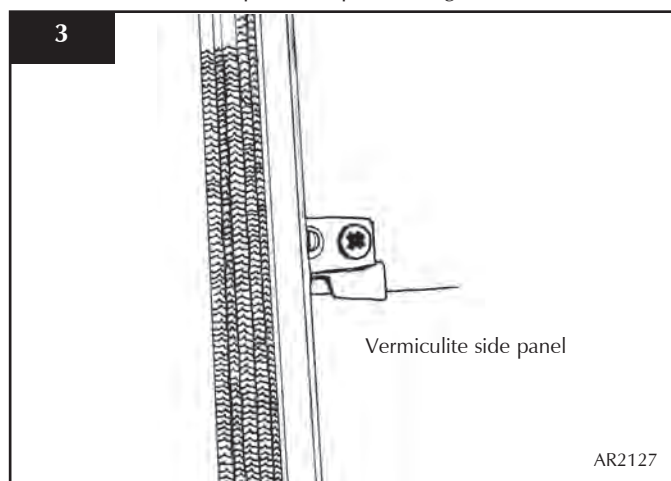


- Open the door outwards

- 2.3 The gas supply enters the fire through a silicon panel on the floor or in the back panel of the fire, underneath the control unit, Diagram 2



- 2.4 To access the gas pipe:
  - Undo the clips on the upper inside holding the vermiculite side panels in place, Diagram 3



- Remove the two side panels and back panel and put to one side
- Ensure the back panel is supported when removing the side panels

**TAKE CARE WHEN HANDLING THE VERMICULITE PANELS, THEY ARE FRAGILE.**

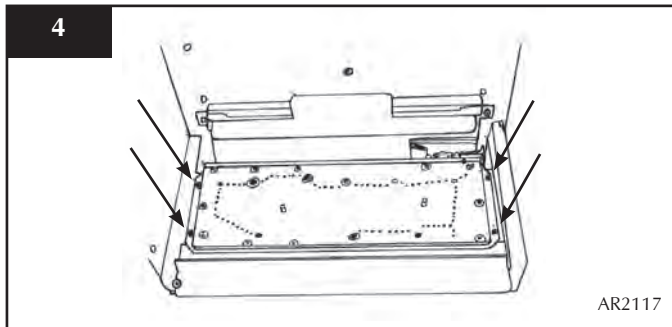


# INSTALLATION INSTRUCTIONS

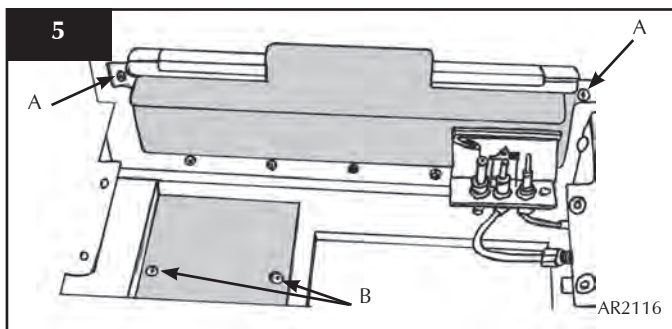
## INSTALLATION

2.5 You can now remove the burner:

- Undo the four screws holding the burner tray in place
- Remove the burner
- Lift the left-hand side up and out

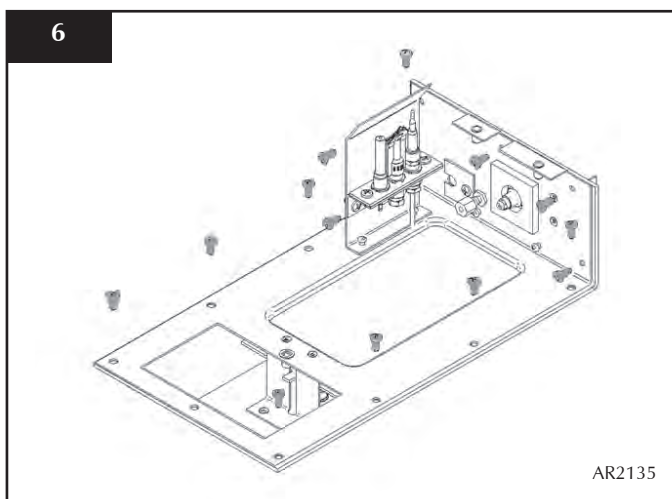


2.6 • Undo the two screws in the rear air baffle to remove it, Diagram 5, arrow A



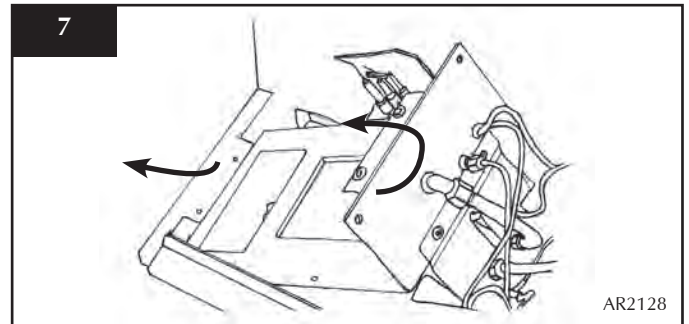
- Remove the two screws holding the access panel in place, Diagram 5, arrow B

2.7 • Undo the 13 screws fixing the control unit in place



With all screws removed:

- Slide the control unit to the left to clear the injector and pilot pipework at the right side
- Lift the right-hand side up and out



# INSTALLATION INSTRUCTIONS

## INSTALLATION

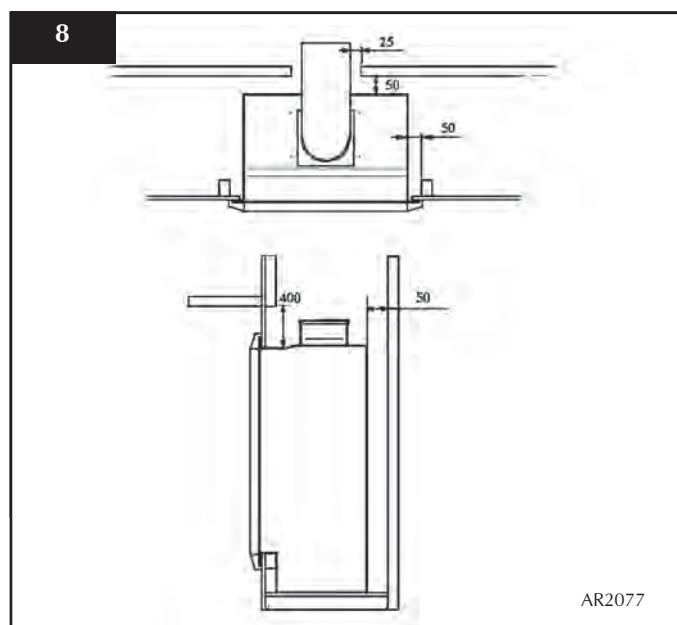
### 3. STUD WORK INSTALLATION

THERE ARE THREE TYPES OF INSTALLATION INTO STUDWORK DESCRIBED IN THE FOLLOWING PAGES:

- 1) FOR STUDIO 22 WITH EITHER THE STEEL, PROFIL OR BAUHAUS FRAME, SEE SECTION 4
- 2) FOR AN INSTALLATION WHERE THE STUDIO 22 SITS FLUSH TO THE FINISHED 'EDGE' OF THE WALL, SEE SECTION 5
- 3) FOR A FURTHER 'EDGE' INSTALLATION PROVIDING A COOL WALL ABOVE THE APPLIANCE TO ALLOW CUSTOMERS TO HANG PICTURES ETC., SEE SECTION 6

#### 3.1 DISTANCE TO COMBUSTIBLE MATERIAL

COMBUSTIBLE PARTS OF THE STUDWORK MUST BE KEPT BEYOND THE MINIMUM DIMENSIONS SHOWN IN DIAGRAM 8. EVEN IF THE FRAMEWORK IS PROTECTED BY NON-COMBUSTIBLE MATERIAL, YOU MUST MAINTAIN THESE DIMENSIONS.

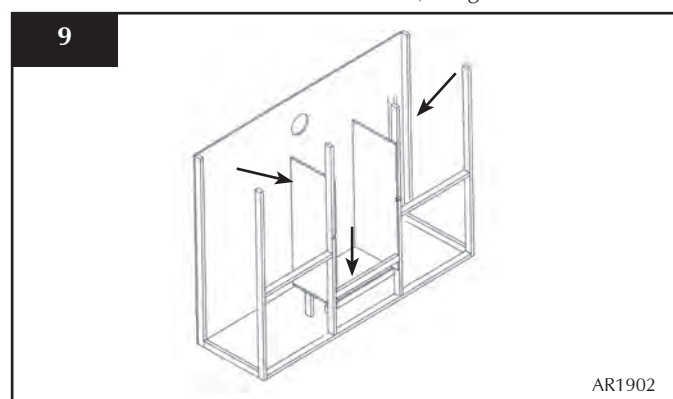


- 3.2 DO NOT PACK THE VOID AROUND OR ABOVE THE APPLIANCE WITH INSULATION MATERIALS SUCH AS MINERAL WOOL.
- 3.3 THE VOID BUILT FOR THE APPLIANCE MUST BE VENTILATED TO PREVENT A BUILD-UP OF HEAT. IF THE VOID IS SEALED, THEN YOU MUST FIT VENTS AT BOTH LOW AND HIGH LEVELS OF APPROXIMATELY 50CM<sup>2</sup> EACH. THESE VENTS MUST TAKE COLD AIR FROM THE ROOM AND RETURN WARM AIR BACK INTO THE ROOM

- 3.4 AN ACCESS HATCH MUST BE LEFT IN THE SIDE OF THE CHIMNEY BREAST FOR FUTURE SERVICING AND INSPECTION OF THE FLUE AND APPLIANCE.

### 4. STUDWORK INSTALLATION FOR STUDIO WITH FRAMES

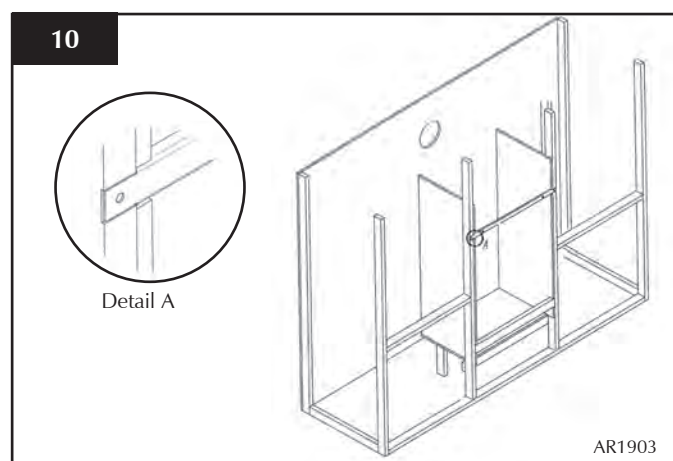
- Build the studwork chimney breast and enclosures to the desired size to include the protected platform at the required height.
- Line the aperture for the appliance with 12mm thick non-combustible material as shown, Diagram 9



- Ensure the clearances are maintained, see Diagram 8
- Site the appliance and decide on flue requirements
- Cut a hole for the flue exit - see **Installation Instructions, Flue Assembly**
- Provide gas services into the appliance void on the left-hand side

**Because no combustible material can be used above the fire, we provide a support bar:**

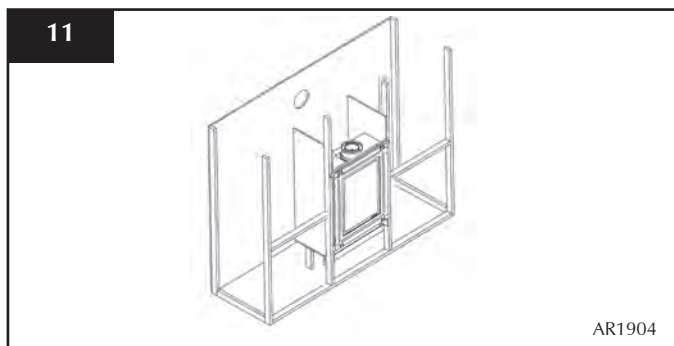
- Mark out the position to fit the supplied top support bar into the studwork at the correct height. This bar needs to be recessed into the studwork, Diagram 10



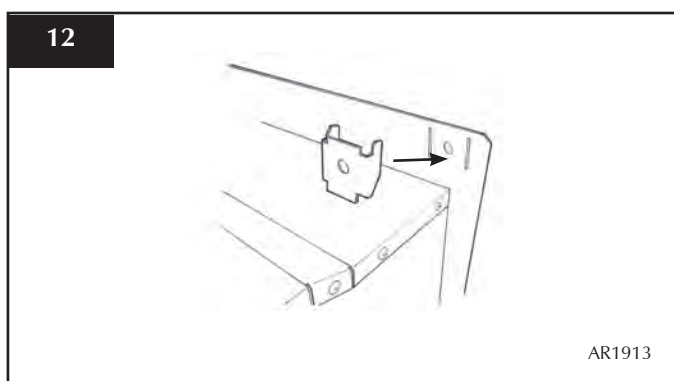
# INSTALLATION INSTRUCTIONS

## INSTALLATION

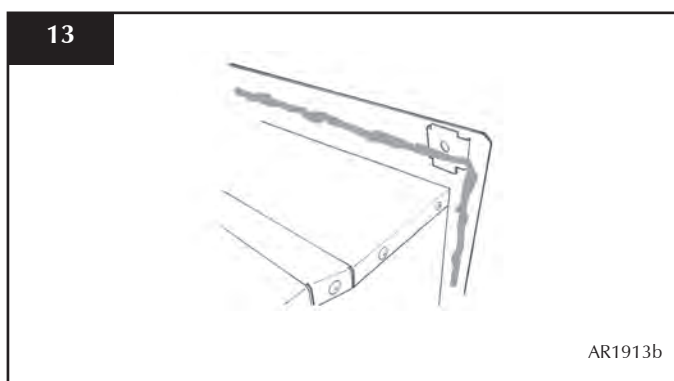
- Fit the support bar into the studwork at the correct height, Diagram 11.



- Attach the 4 frame fixing brackets to the fire by placing the top part of the bracket through the slots
- Push the bracket flat against the panel, then slide down to the stop, see Diagram 12



- Fix foam seal to the outer flange of the fire, Diagram 13



- Position the fire
- Fit non-combustible board to the studwork around the fire. This should extend a minimum of 400mm above the appliance and at least 50mm to the sides of the appliance (from the outer box, not the flanges).
- Apply plasterboard to the remainder of the studwork

- Secure the fire back to the studwork using four screws through flange, bracket, support bar
- Apply a plaster finish to the front of the chimney breast

### Slips

Because of the high temperatures this fire achieves, it is advisable to use marble slips or similar material between the appliance and the plasterboard.

**Never use a one-piece slip because expansion (even cracking) can occur.**

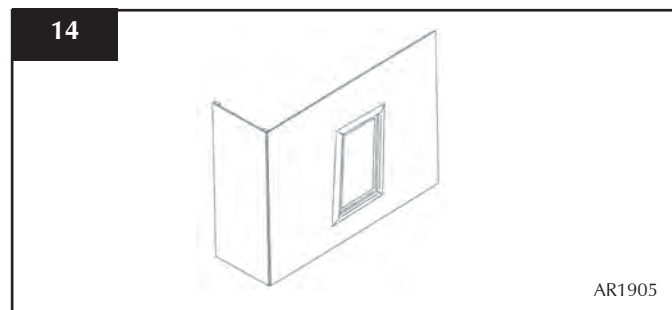
**Note: If a slip is used, longer screws are needed to secure the appliance.**

To finish the installation:

- Connect the wall box and batteries following instruction in *Section 7* below
- Connect:
  - the flue system (see *Installation, Flue Assembly*)
  - and gas services (see *Installation Section 9*) using the opening in the side of the chimney breast for access.

After commissioning:

- Finish the sides of the chimney breast, Diagram 14



## 5. STUDWORK FOR STUDIO EDGE INSTALLATION KIT

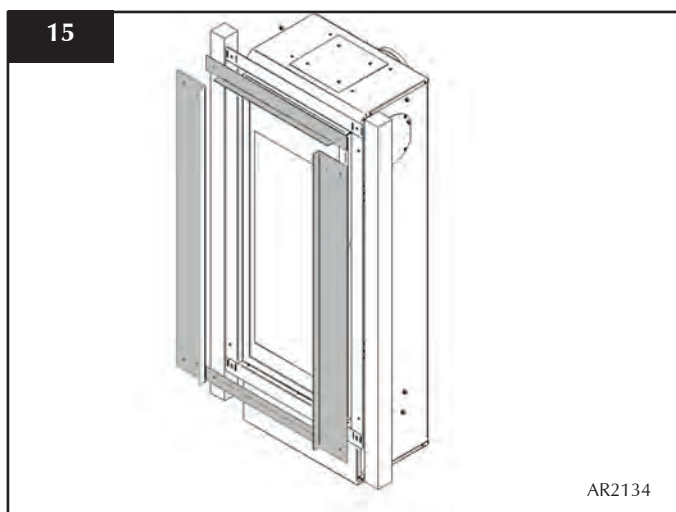
There is an optional Studio 22 Edge Installation Kit available for installing the fire without a frame: Studio 22 BF Code No. 8727BF EK22. This consists of four metal brackets so that you can create a flush finish to the "edge" of the appliance.

Using the installation kit:

- Fit the four metal brackets of the kit to the fire:
- Fit the sides to the appliance and secure using nuts and washers provided
- Attach the top and bottom metal brackets to the top and bottom flanges of the appliance using nuts and washers provided, see Diagram 15

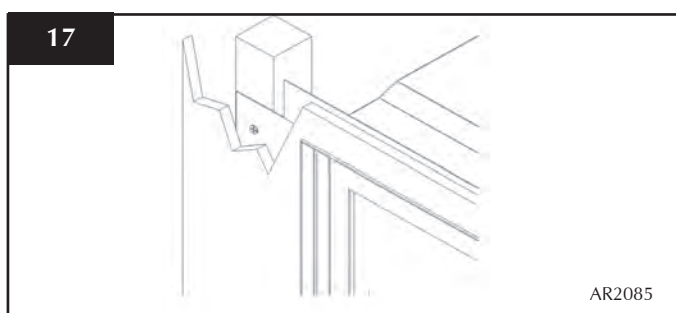
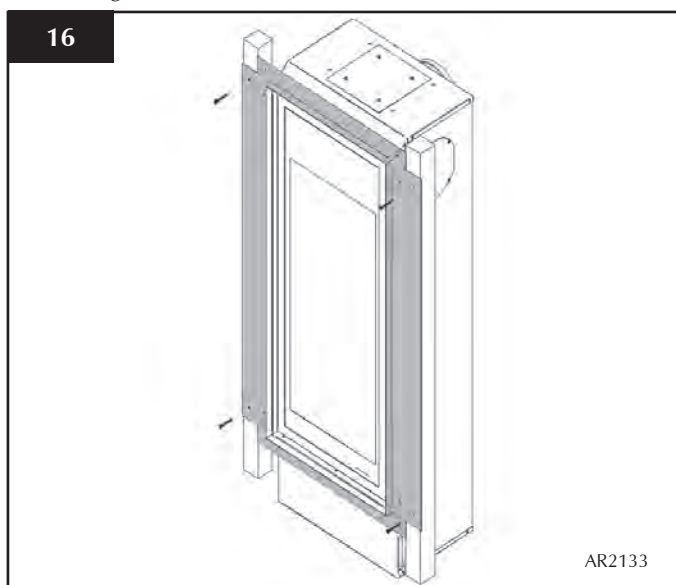
# INSTALLATION INSTRUCTIONS

## INSTALLATION



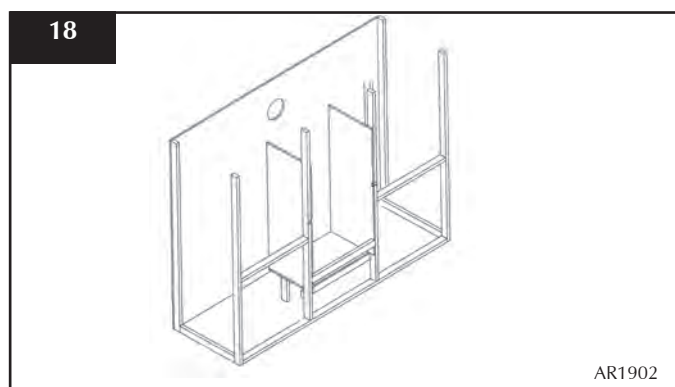
- Put vertical studwork at minimum clearance to the side of the fire (50mm)
- Secure to the vertical studwork through the holes in the metal brackets fitted to the fire, Diagram 16

The kit has been designed so that non-combustible board can be taken right up to the edge of the four brackets, Diagram 17

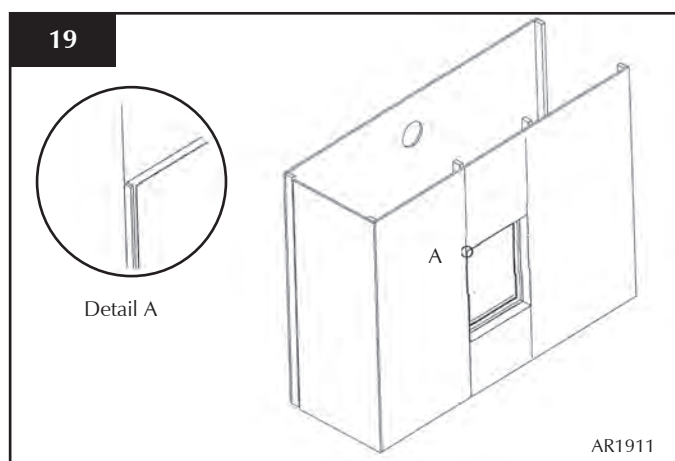


Build the studwork chimney breast to the desired size:

- Ensure all clearances to combustible material are maintained, *Section 3, 3.1* above
- Decide on flue requirements
- Cut a hole for the flue exit - see *Installation Instructions, Flue Assembly*



- Fit non-combustible board to the studwork above and to the sides of the fire. This should extend a minimum of 400mm above the appliance and a minimum of 50 mm to each side
  - Fit plasterboard to the remaining chimney breast front
  - Connect the flue system and gas services using the opening in the side of the chimney breast for access
- After commissioning, finish the sides of the chimney breast, Diagram 19



- Apply a plaster finish to the chimney breast



# INSTALLATION INSTRUCTIONS

## INSTALLATION

### 6. STUDWORK FOR COOL WALL INSTALLATION KIT

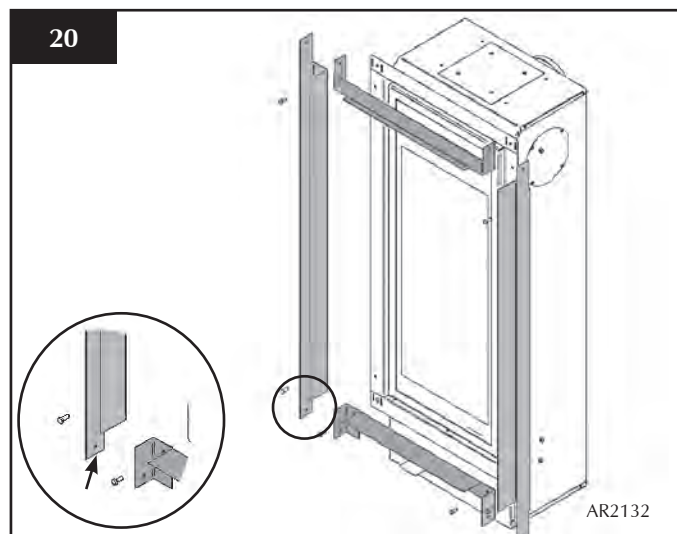
There is an optional Studio 22 Cool Wall Installation Kit available for installing the fire without a frame: Studio 22 BF Code No. 8727BFCW22. This consists of four metal brackets so that you can create a flush finish to the "edge" of the appliance.

For this cool-wall installation, the convected heat of the fire is channelled into the studwork enclosure and vented at the top.

The cool wall installation kit is provided unfinished. This allows the kit to be finished to match the fireplace decor.

Using the fixing kit:

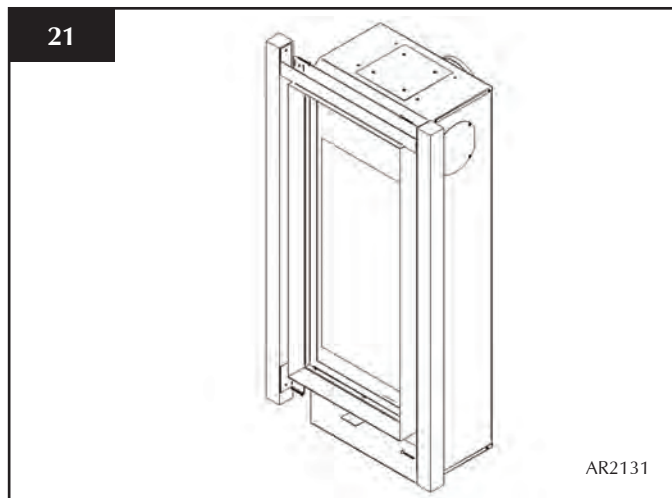
- Fit the four metal brackets of the kit to the fire
- Line up the side brackets with the holes in the front flange of the appliance
- Secure to the flange using the nuts, washers and bolts provided, Diagram 20



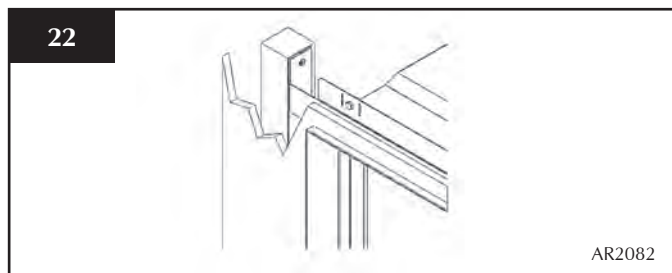
**Note: Make sure the long side of the bracket is nearest the inside.**

This now determines the width of your two vertical studwork supports. The kit has been designed so that non-combustible board can be taken right up to the edge of the four brackets, Diagram 21 & 22

21

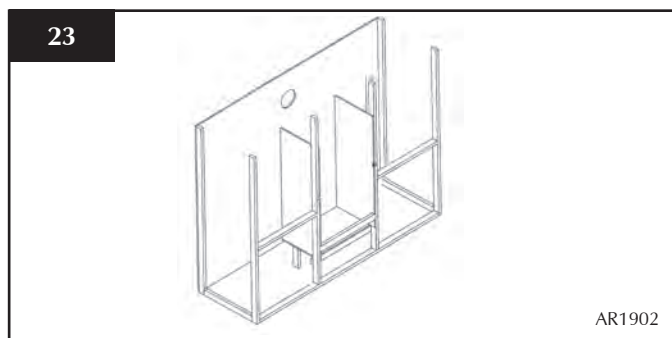


22



- Ensure all clearances to combustible materials are maintained, *Section 3, 3.1*
- Decide on flue requirements
- Cut a hole for the flue exit - see *Installation Instructions, Flue Assembly*, Diagram 21

23



- Secure the top bracket at each side into the studwork using the screws provided
- Secure the bottom bracket to the flange using the nuts, washers and bolts provided

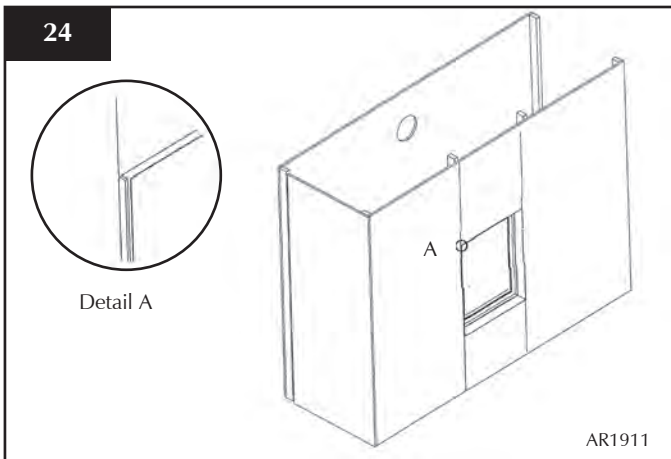
Finally:

- Secure the outer part of the metal brackets into the studwork, see Diagram 20 inset
- There is a deliberate gap at the top for convected heat.

# INSTALLATION INSTRUCTIONS

## INSTALLATION

- Fit non-combustible board to the studwork above the fire. This should extend a minimum of 400mm above the appliance and a minimum of 50mm to each side
  - Fit plasterboard to the remaining chimney breast front
  - Connect the flue system and gas services using the opening in the side of the chimney breast for access.
- After commissioning, finish the sides of the chimney breast, Diagram 24

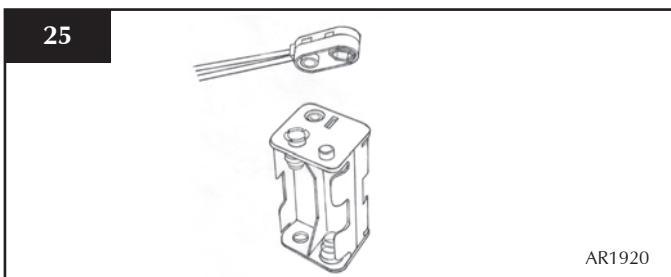


The top of the chimney breast must have a minimum 200cm<sup>2</sup> vent.

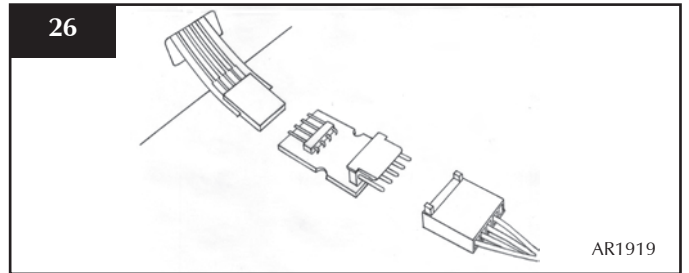
- Apply a plaster finish to the chimney breast

### 7. ALL TYPES OF INSTALLATION INTO STUD WORK - WALL BOX & BATTERIES

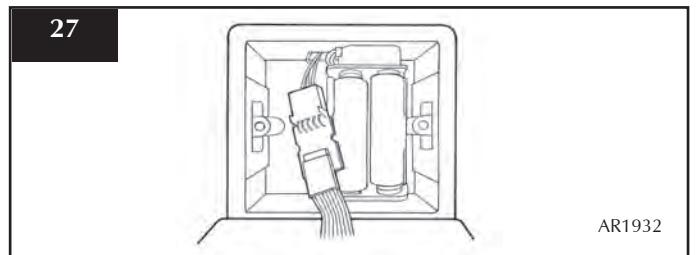
- Decide on the position for the wall box containing the batteries and wall switch
  - Connect the wire from the fire to the battery pack, Diagram 25



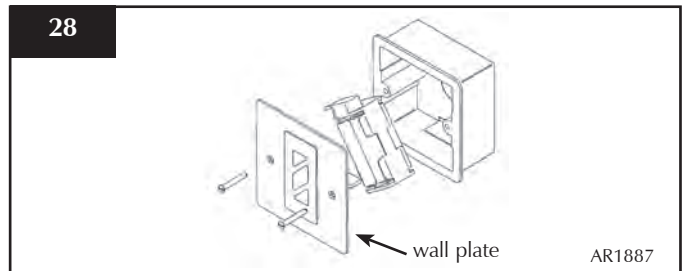
- Connect the wire from the fire to the touch pad/connector, Diagram 26



- Correctly position the four new AA size batteries
- Re-assemble the battery holder as shown in Diagram 27
- Ensure the touch pad cable is tucked to the left on fitting the wall plate back onto the wall



- Secure the wall plate with the touch pad attached to the wall box, Diagram 28



**PLEASE ENSURE NO WIRES ARE TRAPPED BEFORE REPLACING THE WALL PLATE. THE TOUCH PAD LEAD IS EASILY DAMAGED.**

### 8. FLUE ASSEMBLY

Three types of flue terminal are available: rear flue, horizontal and vertical.

**NOTE: When switching from top to rear exit it is important that you use the spigot supplied with the Rear Flue Kit.**

# INSTALLATION INSTRUCTIONS

## INSTALLATION

### 8.1 REAR EXIT FLUE

WALL THICKNESS	MIN	200mm	MAX	600mm
----------------	-----	-------	-----	-------

8.1.3 Remove the flue assembly and terminal guard from the box. Take care not to lose the fixings.

8.1.4 Having decided on the final appliance position and ensuring that all external flue terminal clearances are complied with, (See Section 1, Site Requirements):

- Mark the centre of the final flue position on the wall

**TAKE CARE WHEN MARKING OUT FOR THE FLUE. IT IS DIFFICULT TO MOVE AFTER INSTALLATION.**

A 152mm (6") diameter hole is required to install the flue. This can be achieved by either:

- Core Drill.
- Hammer & Chisel.

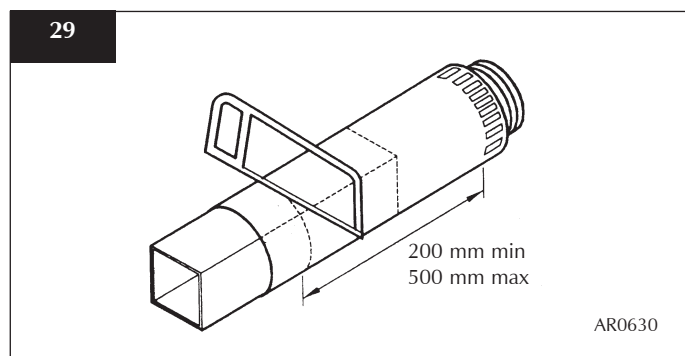
It is advisable to drill small holes around the circumference when using method b). Make good at both ends of the hole.

8.1.5 The appliance is factory set for top exit, but can be changed to a rear exit.

For a rear exit flue:

- **Discard the outer spigot from the top exit set up and use the replacement spigot supplied in the rear terminal kit**

8.1.6 To set the flue length, measure the total wall thickness, then add 65mm. This total flue length will give the minimum clearance of 50mm between the rear of the appliance and the wall. To cut the flue to length using a hacksaw, first insert the square cardboard fitment into the flue. This will support the inner flue. Cut through the flue and fitment. See Diagram 29. **ENSURE THE REMAINING FITMENT IS REMOVED FROM THE FLUE.** File the cut edges of the flue smooth.



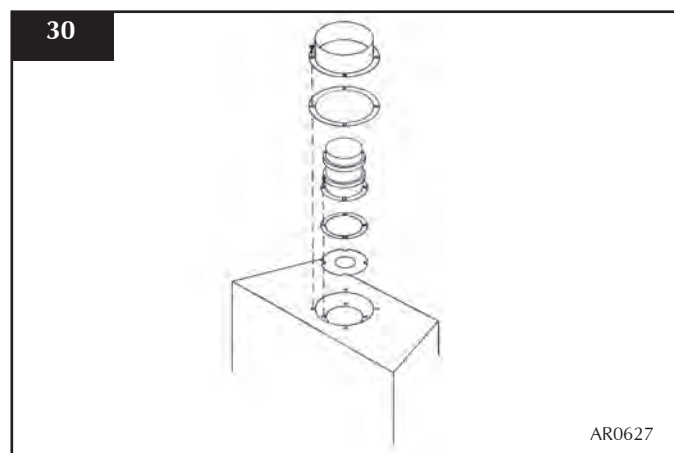
- Fit the flue to the appliance and secure with the aluminium tape supplied

Any terminal which is less than 2 meters above any access (level ground, balcony or above a flat roof to which people have access), is to be fitted with the guard supplied.

### 8.2 TOP EXIT FLUE

8.2.1 There are two types of top exit flues available, one with a vertical terminal, the other with a horizontal terminal. Minimum and maximum flue lengths are shown in the Site Requirements, 2.5.

**IMPORTANT: WHEN INSTALLING A TOP EXIT FLUE REFER TO THE TECHNICAL SPECIFICATIONS ON THIS PAGE FOR THE APPROPRIATE SIZE RESTRICTOR. IF A RESTRICTOR IS REQUIRED, FIT THIS BETWEEN THE SMALL OUTLET SPIGOT AND THE AIRDUCT, SEE Diagram 30.**



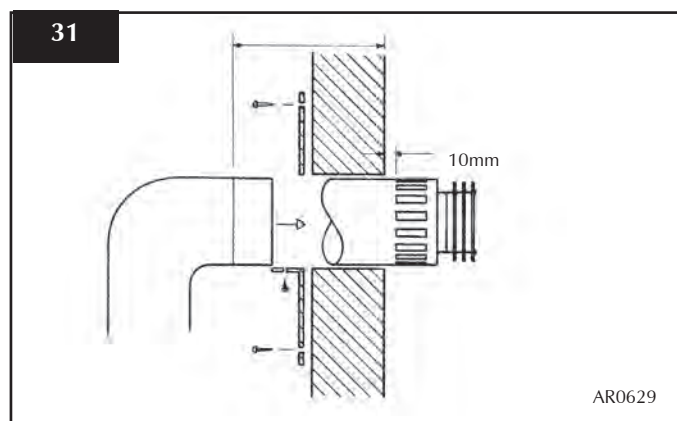
TOP EXIT - VERTICAL & HORIZONTAL FLUE		
Vertical Flue Height from Top of Appliance	Horizontal Length	Restrictor Size
200 mm	500 mm	No restrictor
500 mm	1000 mm	No restrictor
1000 mm to 1500 mm	250 mm to 5000 mm	Ø 70 mm
1510 mm to 3000	250 mm to 5000 mm	Ø 60 mm

TOP EXIT - VERTICAL INCLUDING OFFSET	
Vertical Flue Height from Top of Appliance	Restrictor Size
3000 mm up to 4990 mm	Ø 52 mm
5000 mm up to 10,000 mm	Ø 47 mm

# INSTALLATION INSTRUCTIONS

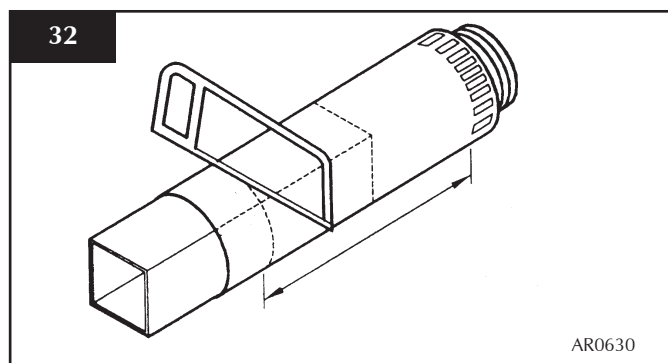
## INSTALLATION

- 8.2.2 The appliance is factory set for top exit.
- 8.3 A 152mm (6") diameter hole in the wall or ceiling is required to install the flue. This can be achieved by either:
- Core drill
  - Hammer and chisel
- Drill small holes around the circumference when using method b. Make good both ends of the hole.
- 8.4
- Allow enough room either above or to the side of the appliance to assemble the flue on top
  - Assemble a horizontal flue in the following order:
    - Vertical section
    - 90° elbow
    - Horizontal plus terminal
  - Support the opening of a masonry installation with a lintel
- 8.5 Only the horizontal terminal section can be reduced in size. To find the length:
- Measure from the outside of the wall to the stop on the 90°
  - Add 10 mm to the outlet end**
    - Measure from the edge of the slots closest to the wall
    - Mark around the flue, Diagram 31



A wall plate is supplied to fix the flue to the wall:

- Bend the tab to 90°
  - Assemble the plate onto the flue but wait to secure to wall and flue after the flue is fully assembled, Diagram 31
- 8.6 The cardboard fitment in the terminal is used to support the flue whilst it is cut to length. **ONCE CUT TO SIZE, REMOVE THE CARDBOARD REMNANT**, Diagram 32.

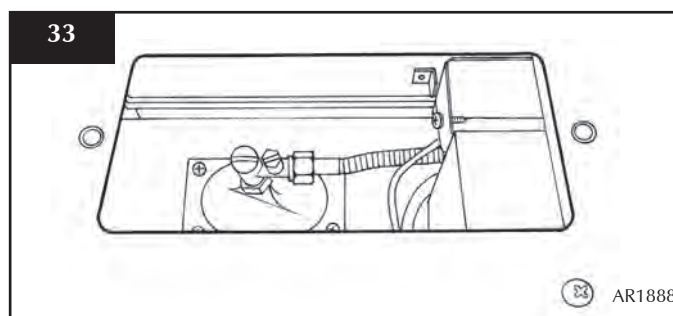


## 9. ASSEMBLING THE APPLIANCE

There are two possible points of entry for your gas pipe depending on the location of your appliance, one located on the underside and the other located on the left-hand side:

- Choose the most suitable for your installation
- Slit with a sharp knife before bringing through the supply pipe, Diagram 33

- 9.1
- Remove the compression elbow from the appliance and connect it to the gas supply pipe
- As the appliance is fitted into the enclosure:
- Pass the elbow and supply pipe through the silicone panel
  - PURGE THE SUPPLY PIPE.** This is essential to expel any debris that may block the gas controls.
  - Connect the elbow to the appliance inlet pipe, Diagram 33



- 9.2 To reassemble the control unit:
- Put the left-hand side of the control unit into the left corner of the interior, before lowering down and sliding to the right
  - Refix with the 13 screws
  - Connect the elbow to the appliance inlet pipe, Diagram 33

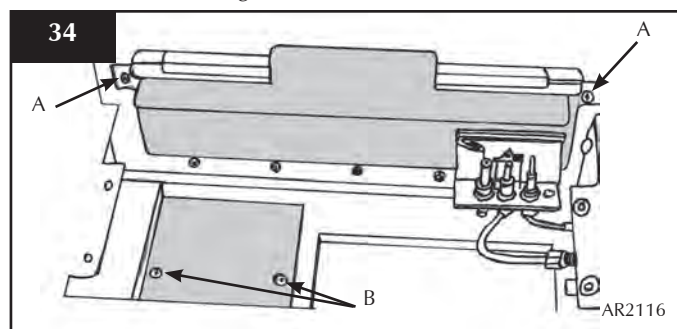


# INSTALLATION INSTRUCTIONS

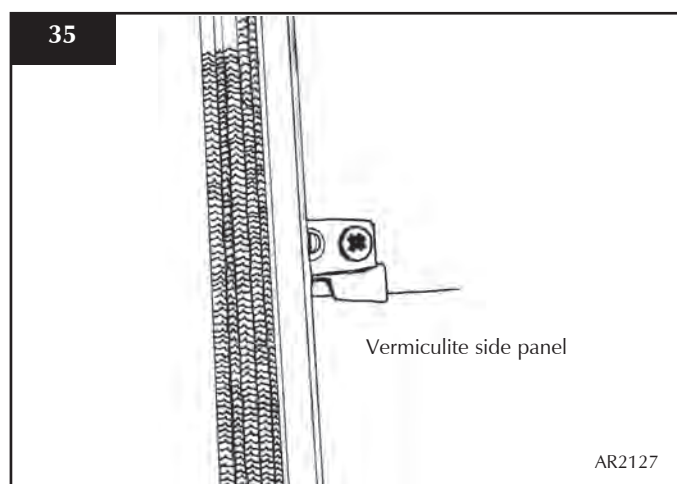
## INSTALLATION

- 9.3 Remove the screw from the pressure test point
- Connect a suitable pressure gauge to the test point located on the inlet fitting
  - Refit the burner
  - Turn on the gas
  - Light the appliance to check for leaks
  - Turn off the gas
  - Remove the burner
  - Disconnect the pressure test point
  - Replace the test point screw

- 9.4
- Replace the access panel in the base of the appliance with the two screws, Diagram 34, Arrow B
  - Replace the rear air baffle, securing each side with the two screws, Diagram 34 Arrow A



- Put the burner tray in place and tighten the four screws
- Replace the vermiculite back panel
- Refit the two side panels
- Refit the clips to the upper inside to hold the side panels in place, Diagram 35
- Refit the front vermiculite panel in front of the burner



## 10. ARRANGEMENT OF FUEL BED

### ADVICE ON HANDLING AND DISPOSAL OF FIRE CERAMICS

The fuel effect and side panels in this appliance are made from Refractory Ceramic Fibre (RCF), a material which is commonly used for this application.

Protective clothing is not required when handling these articles, but we recommend you follow normal hygiene rules of not smoking, eating or drinking in the work area and always wash your hands before eating or drinking.

To ensure that the release of RCF fibres are kept to a minimum, during installation and servicing a HEPA filtered vacuum is recommended to remove any dust accumulated in and around the appliance before and after working on it.

When servicing the appliance it is recommended that the replaced items are not broken up, but are sealed within heavy duty polythene bags and labelled as RCF waste.

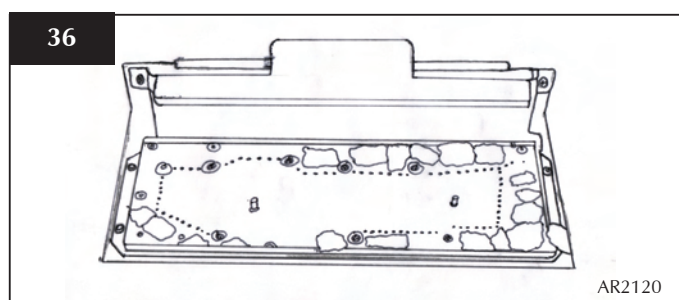
RCF waste is classed as stable, non-reactive hazardous waste and may be disposed of at a licensed landfill site.

Excessive exposure to these materials may cause temporary irritation to eyes, skin and respiratory tract; wash hands thoroughly after handling the material.

After cleaning the fire or replacing parts, carefully re-assemble the ceramic components. **WHEN THE EMBERS ARE PLACED ON THE BURNER IT IS IMPORTANT THEY DO NOT COVER ANY PORTS!**

The fuel bed is made up of embers and 6 logs, identifiable by moulded letters:

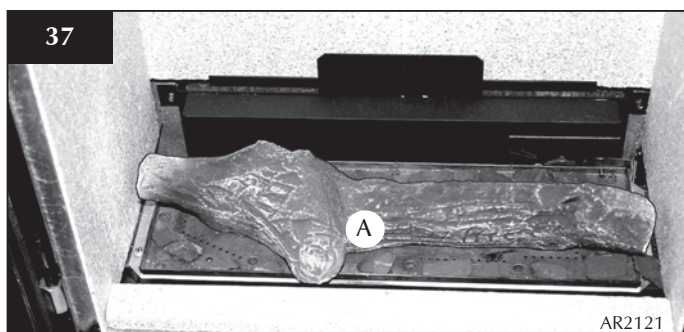
- 10.1 Place the embers around the burner holes as shown in Diagram 36. **Do not cover any of the holes.**



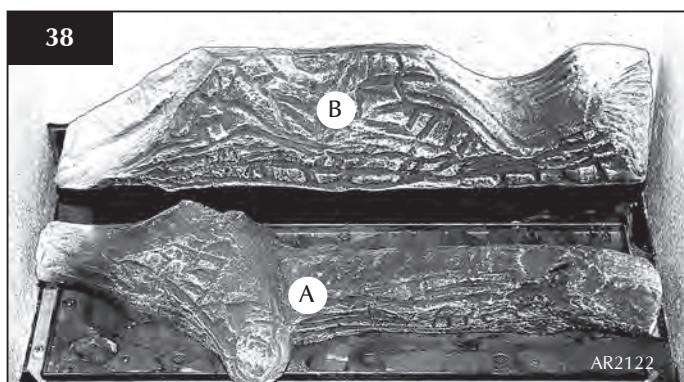
- 10.2 Place Log A onto the two studs on the burner skin, Diagram 37, with charred effect of the log facing forward.

# INSTALLATION INSTRUCTIONS

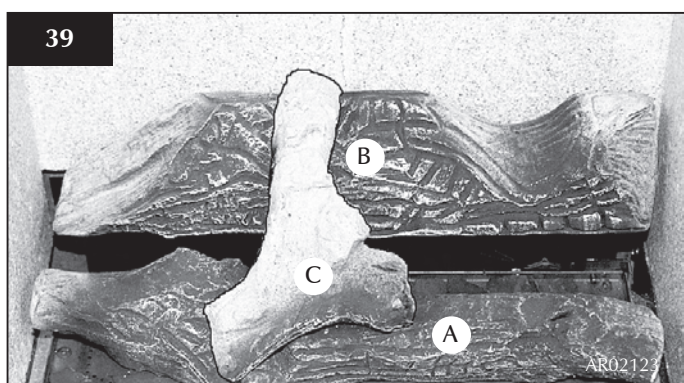
## INSTALLATION



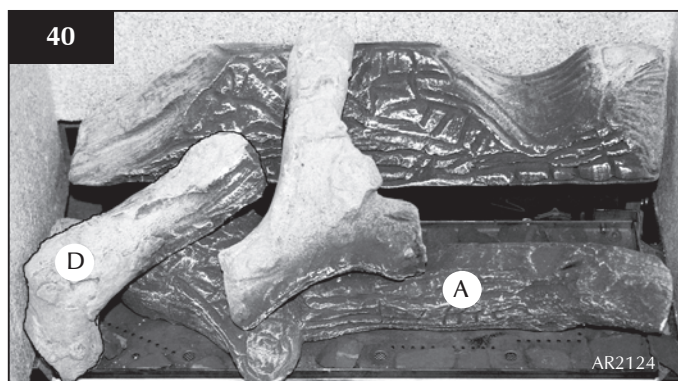
- 10.3 Place Log B on the ledge at the rear of the fire, Diagram 38.



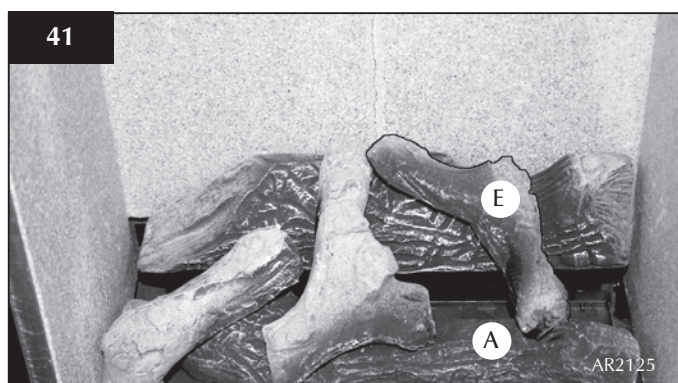
- 10.4 Put Log C so that the back end sits in the groove in the rear of Log B and the front left rests in the cut-out groove in Log A, Diagram 39.



- 10.5 Position Log D so that the underneath rests in the groove of Log A, and the triangular groove in the base of Log D fits into the corner of the burner, Diagram 40.



- 10.6 Put the groove in the base of Log E into the indent on the right of Log A. The left branch rests on the upper end of Log C, Diagram 41.



- 10.7 Log F rests against Log B at its far right end, between Log B and the side panel. The front end of Log F sits on the front panel, see Diagram 42



**When closing the door ensure the door catches are fully engaged:**

- Slide the allen key into the gap between the door and frame and locate the catch of the lower lock
- Push the allen key DOWN
- Slide the allen key into the gap and locate the upper lock
- Push the allen key UP

# INSTALLATION INSTRUCTIONS

## INSTALLATION

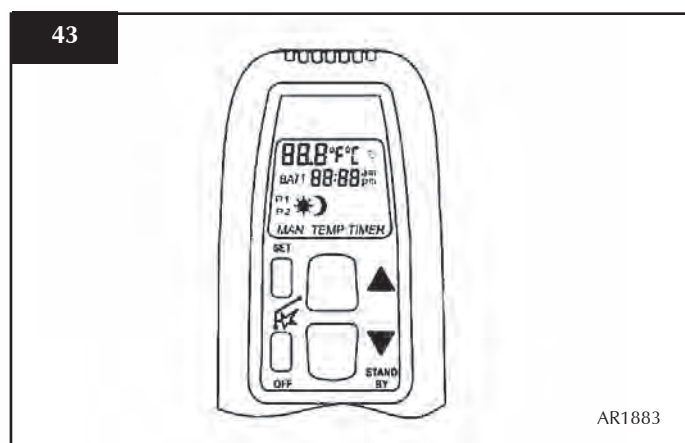
### 11. LIGHTING THE STUDIO

**Note:** The Emergency Shut Off switch must be in the ON position, refer to Section 2, User Instructions.

There are two ways of lighting the Studio:

- by thermostatic remote control
- using the fire's touch pad

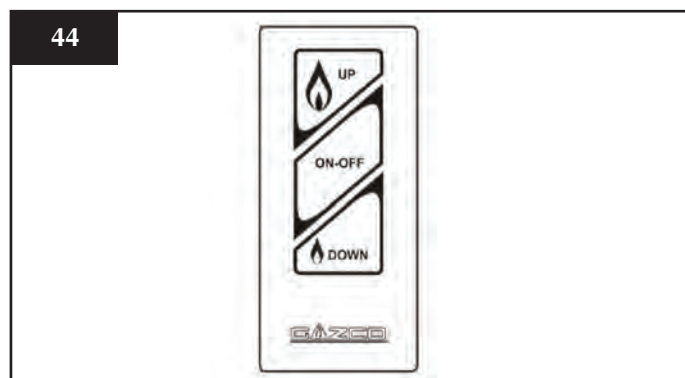
#### THERMOSTATIC REMOTE CONTROL



To light the appliance using the handset:

- Press OFF and UP buttons simultaneously
- You hear a beep as the ignition process begins.

#### TOUCH PAD CONTROL



- Press the ON-OFF button to light the appliance, (up to 30 seconds)
- Press the UP button to increase the flame height.
- Press the DOWN button to decrease the flame height. At the lowest point it goes to 'standby mode', (only pilot lit)
- Press the ON-OFF button to turn the appliance off.



# INSTALLATION INSTRUCTIONS

## COMMISSIONING

### 1. COMMISSIONING

1.1 Complete the Commissioning Checklist at the front of this manual covering:

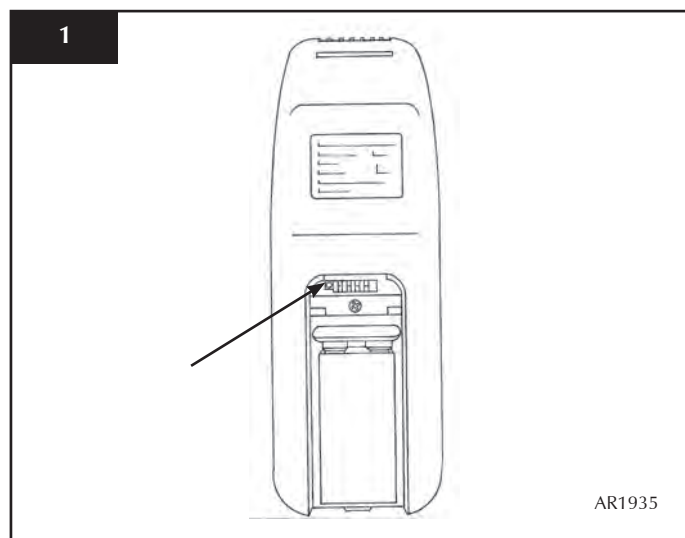
- Flue checks
- Gas checks

For working pressure test, use the access panel at the gas connection ensuring the burner is in position, see *Installation, Section 9, 9.1*

1.2 **In the unlikely event that the appliance is receiving interference from other electronic devices, re-programme the handset/Control box**

#### Reprogramming handset/Control box

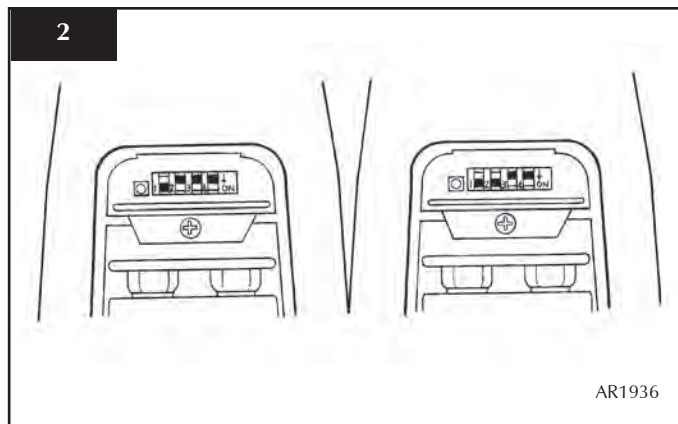
- Remove the battery cover from the handset to see the four DIP switches. See Diagram 1



Each of the four switches can be set to either one of two positions, in any combination.

To re-code the handset:

- Change the combination of how the DIP switches are set. For example see Diagram 2:



Once the handset has a new code, the control box needs to be reprogrammed:

To access the control box, see *Servicing Instructions, Section 7 - Main Control Assembly*.

- Press and hold the reset button on the control box until you hear two signals. After the second longer signal:
- Release the reset button and within 20 seconds:
  - Press the DOWN button on the handset until you hear an additional long signal confirming the new code

# SERVICING INSTRUCTIONS

## SERVICING / FAULT FINDING CHARTS

### 1. SERVICING REQUIREMENTS

This appliance must be serviced at least once a year by a competent person.

All tests must be carried out in accordance with the current CORGI recommendations.

- 1.1 Before any tests are undertaken on the appliance:
  - Conduct a gas soundness test for the property to ensure there are no gas leaks prior to starting work
- 1.2 Fully check the operation of the appliance
  - Special checks
    - 1.2.1 Clean any lint or fluff from the pilot - pay particular attention to the aeration holes of the pilot
    - 1.2.2 Clean away any fluff or lint from under the burner
    - 1.2.3 Check the spark gap on the pilot is correct
      - Correct any faults found during the initial tests
      - Recommission the appliance conducting the usual safety checks
- 1.3 Advise the customer of any remedial action taken.

REPLACE BATTERIES BEFORE ATTEMPTING TO RECTIFY ANY FAULTS.

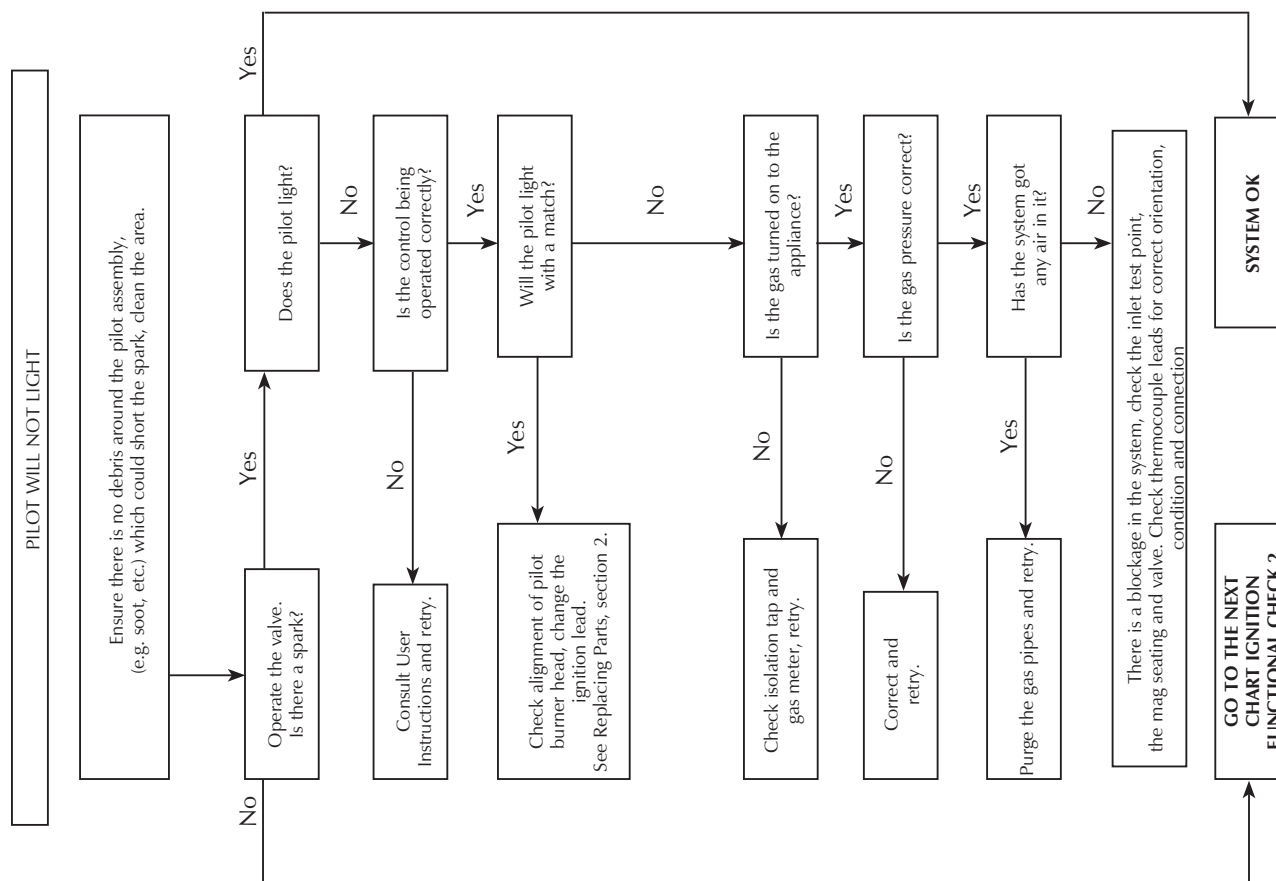
IF THE FIRE DOES NOT WORK, BUT HAS WORKED IN THE PAST:

- CHECK THE EMERGENCY SHUT OFF SWITCH IN THE BOTTOM RIGHT CORNER BY THE DOOR IS SWITCHED ON, SEE USER SECTION, PAGE 6

#### Electronic Control Valve Fault Analysis

Symptom	Cause	Remedy
3 Short beeps from control	Batteries low in appliance	Replace appliance batteries
No ignition, 5 second continuous tone (there may be several short beeps before)	1. On/Off switch is in OFF position 2. Loose/damaged wire	1. Move switch to ON position 2 Check interrupter block and wires
No ignition, no tone, motor turns slightly when operated	Receiver board damaged	Replace receiver
No pilot flame and control continues to spark	Thermocouple circuit wired incorrectly	Correct wiring
Pilot lights, control continues to spark, valve shuts down after 10 - 30 seconds	1. No spark at pilot burner 2. Loose/damaged wire	1. Rectify spark at pilot burner 2. Check interrupter and wires

### IGNITION FUNCTIONAL CHECK 1

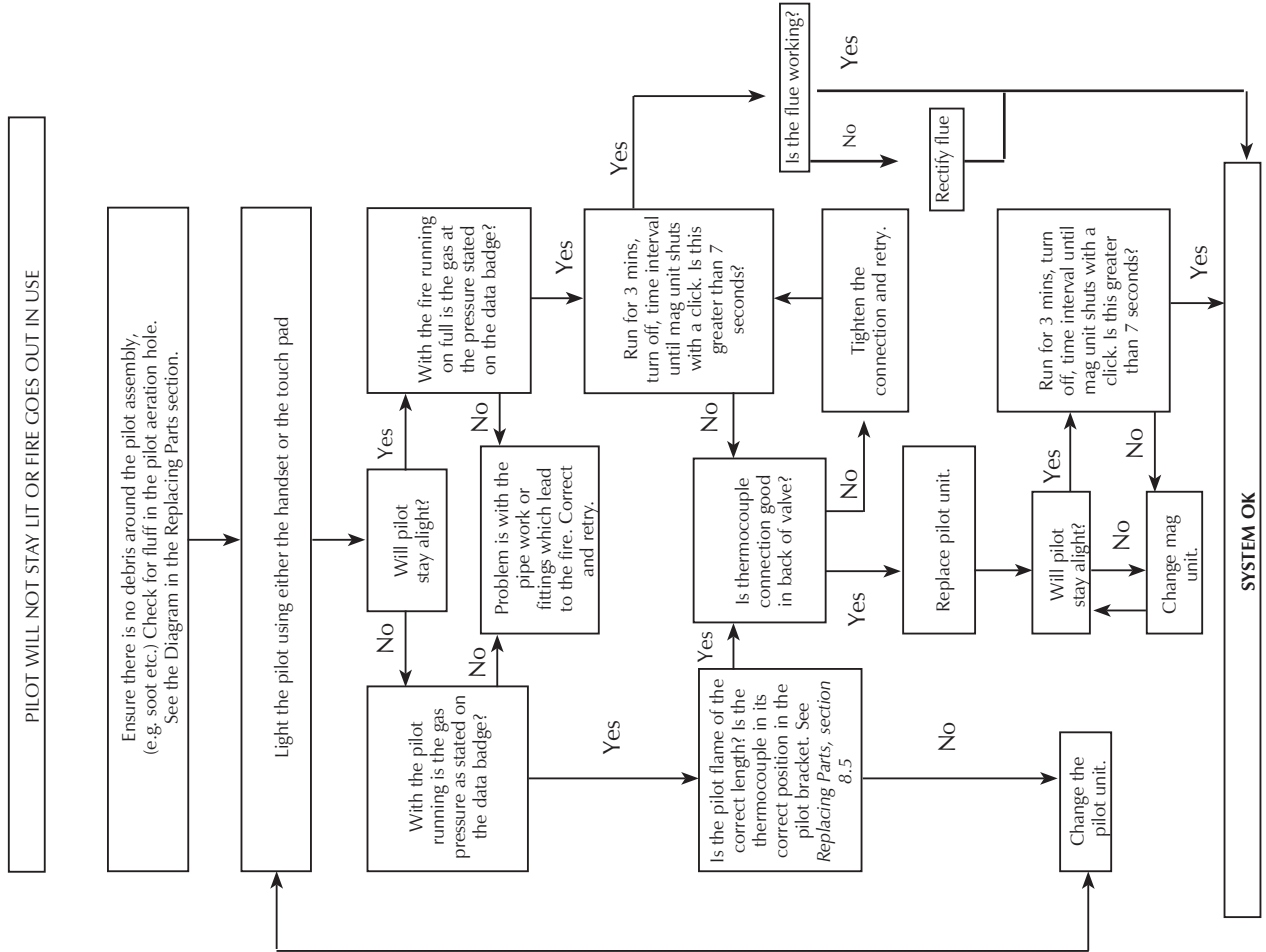




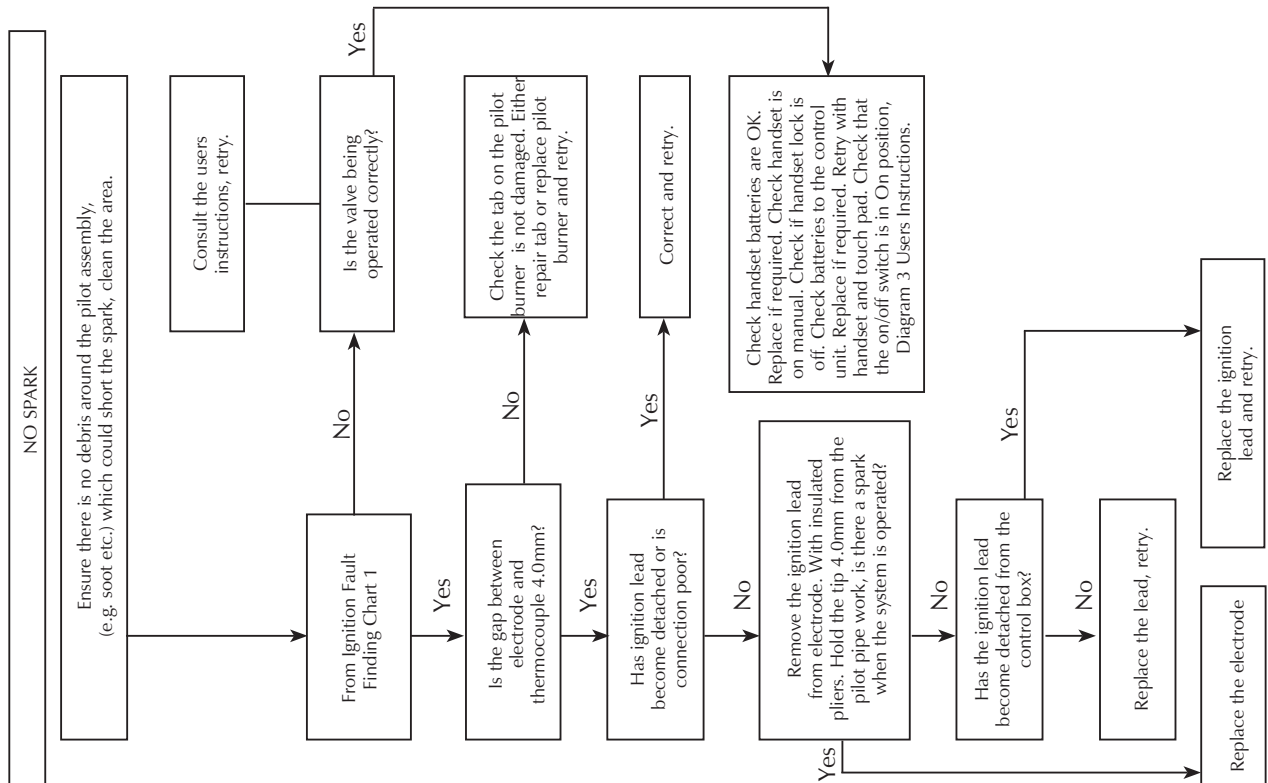
# SERVICING INSTRUCTIONS

## FAULT FINDING CHARTS

### FLAME FAILURE FUNCTIONAL CHECK 3



### IGNITION FUNCTIONAL CHECK 2



# SERVICING INSTRUCTIONS

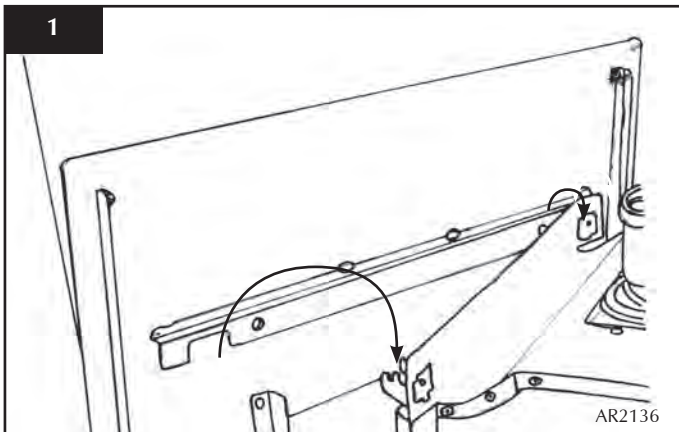
## REPLACING PARTS

### 1. GENERAL

- 1.1 All main components can be replaced without removing the appliance from its installation. It is essential that the gas supply to the appliance is turned off at the isolation device before proceeding further.
- 1.2
- **DISCONNECT BATTERIES BEFORE SERVICING THE APPLIANCE**
- 1.3 **Removal of Flue**  
**If, for any reason, the flue has to be removed from the appliance, the seal must be replaced in the inner spigot.**
- 1.4 Access to the controls is restricted and the whole of the control assembly is to be removed as one unit. Refer to Section 7 below

### 2. DECORATIVE FRAME

- 2.1 The same method is used to remove each frame.
- Lift the frame upwards off the four support brackets, Diagram 1

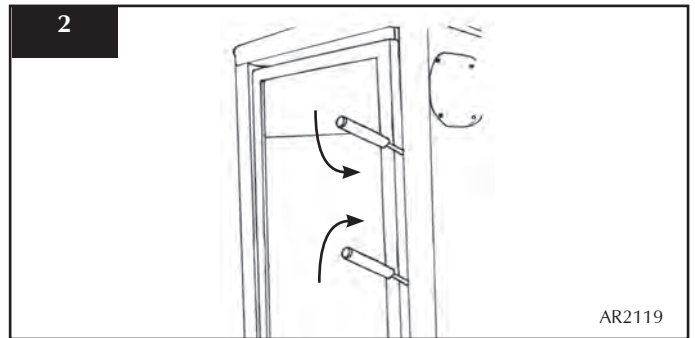


**NOTE: THE STEEL FRAME IS HEAVY. TAKE CARE WHEN LIFTING**

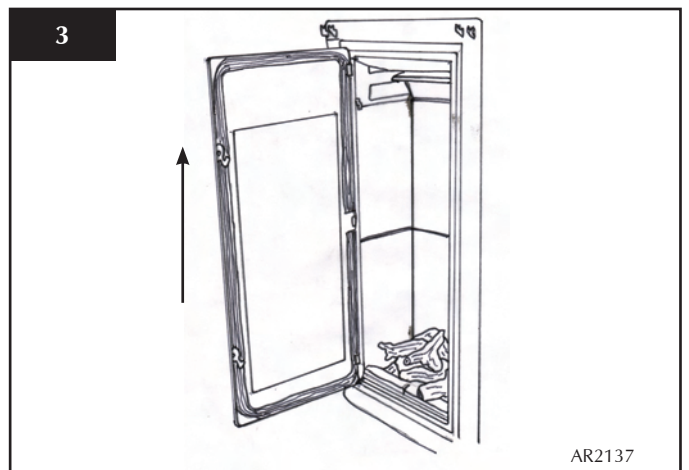
### 3. WINDOW FRAME ASSEMBLY

- 3.1 Using the allen key provided to release the upper and lower catches on the right side of the door:
- Slide the allen key into the gap between the door and frame and locate the catch of the upper lock
  - Push the allen key DOWN
  - Slide the allen key into the gap and locate the lower lock
  - Push the allen key UP
  - Open the door outwards

**When closing the door ensure the door catches are fully engaged.**



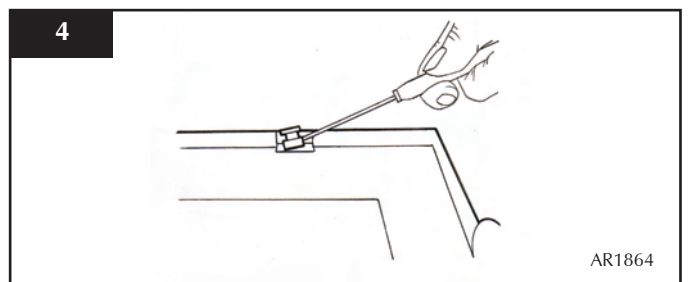
- 3.2 To completely remove the glass front:
- Open the door at a right angle to the fire
  - Lift the door vertically off its hinges and place to one side, Diagram 3



- Refit in reverse order
- Refit in reverse order

### 4. GLASS WINDOW

- 4.1 Remove the two clips and brackets from either side of the frame, Diagram 4



- Lift the glass clear from the lock bracket at the top of the frame and slide out

# SERVICING INSTRUCTIONS

## REPLACING PARTS

### 5. VERMICULITE PANELS

#### 5.1 TAKE CARE WHEN HANDLING THE VERMICULITE PANELS, THEY ARE FRAGILE.

**Note:** Make sure you support the back panel before removing the second side panel in case the back falls forward

- Undo the clips at the top of the side panels

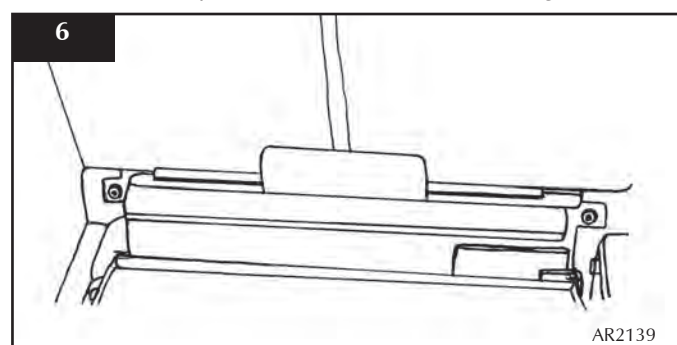
While supporting the rear panel:

- Remove each side panel and place to one side
- Remove the back panel



- Remove the front lower panels

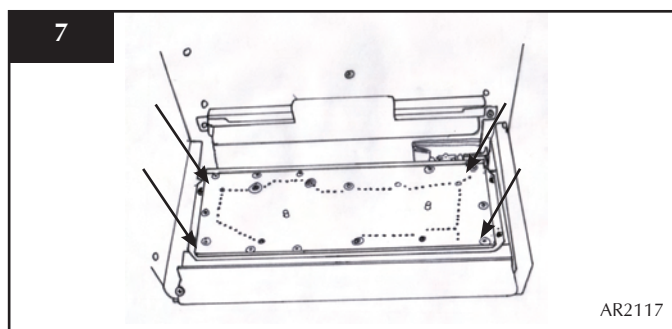
#### 5.2 Reassemble in reverse order, ensuring the bottom edge of the back panel is behind the Air Baffle, Diagram 6



### 6. MAIN BURNER

#### 6.1 To replace the main burner:

- Remove the logs and embers from the burner
- Undo the four screws holding the burner tray in place
- Lift the left side of the burner up and out first, Diagram 7



#### 6.2 To replace the burner:

- Lower the right-hand side over the injector
- Lower the left side down
- Insert the four fixing screws and tighten

**NOTE:** Before replacing the burner, make sure the silicone seal around the injector is intact.

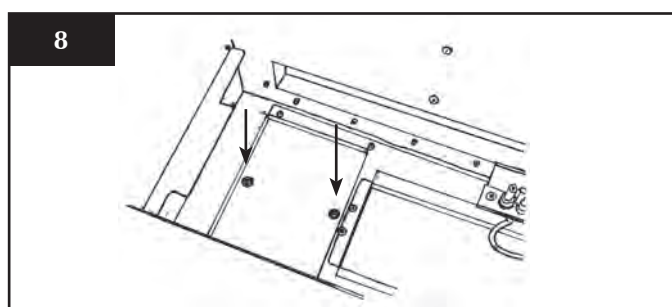
### 7. MAIN CONTROL ASSEMBLY

#### 7.1 To access the main control assembly, first remove:

- the decorative frame if applicable
- the door
- vermiculite panels
- main burner
- air baffle

#### 7.2 To remove the access panel:

- Undo the two screws, Diagram 8

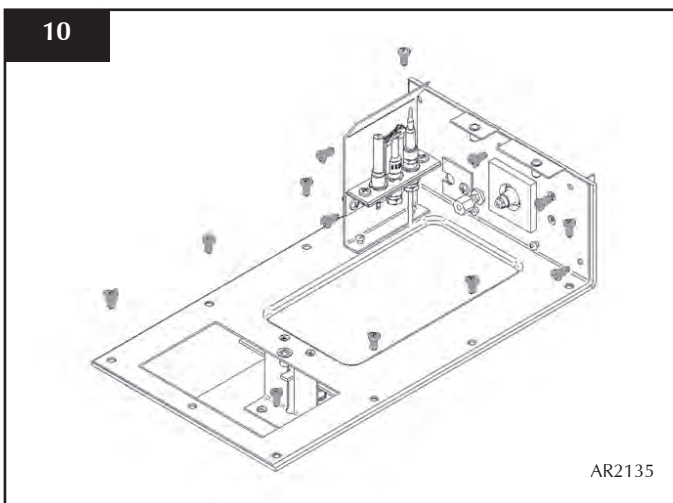
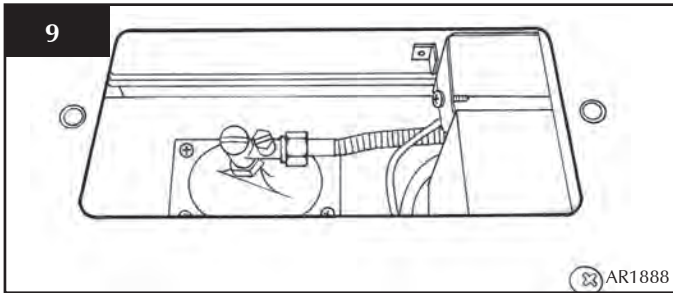


#### 7.3 Isolate the gas supply at the isolation device and disconnect the gas inlet, Diagram 9.

- Undo the 13 screws fixing the control unit in place

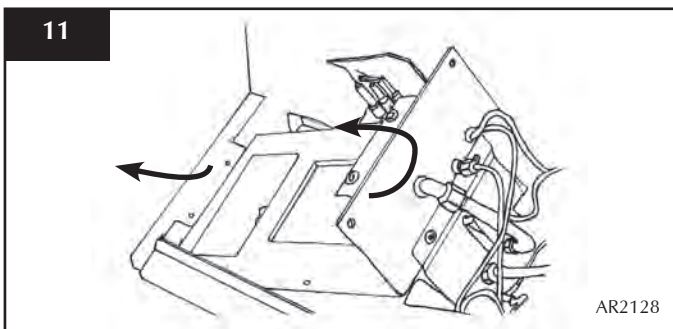
# SERVICING INSTRUCTIONS

## REPLACING PARTS

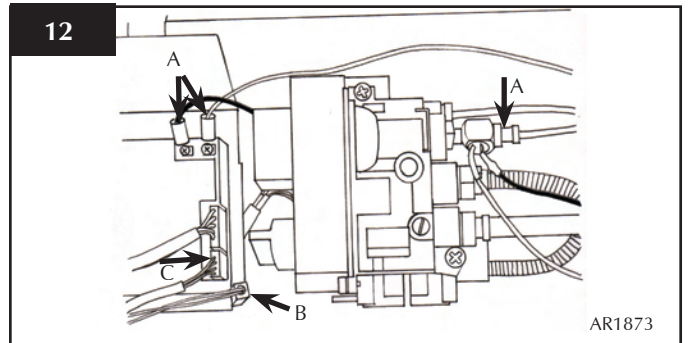


With all screws removed:

- Slide the control unit to the left
- Lift the right-hand side up and out



- 7.4 • Disconnect the two cables marked 'A' in Diagram 12



- Disconnect the battery extension lead, Diagram 12, B
  - Disconnect the touch pad extension lead, Diagram 12, C
- The control assembly can now be lifted up and removed.
- Reassemble in reverse order

### 8. PILOT UNIT ASSEMBLY

- 8.1 The pilot assembly consists of four components which can be individually changed:

1. Pilot burner bracket
2. Pilot injector
3. Electrode
4. Thermocouple

Before commencing work on the pilot the Main Control Assembly must be removed, see *Section 7* above.

- 8.2 **Pilot Burner Bracket**

- Remove the electrode, see paragraph 8.3
- Remove the thermocouple, see paragraph 8.5
- Remove the pilot pipe

Remove the two screws securing the bracket

The pilot burner bracket can now be removed.

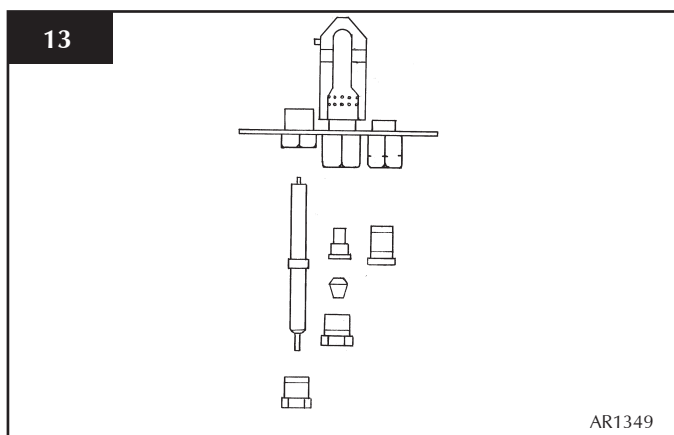
- Replace in reverse order
- Check the pilot gasket and if damaged, replace with a new one

- 8.3 **Electrode**

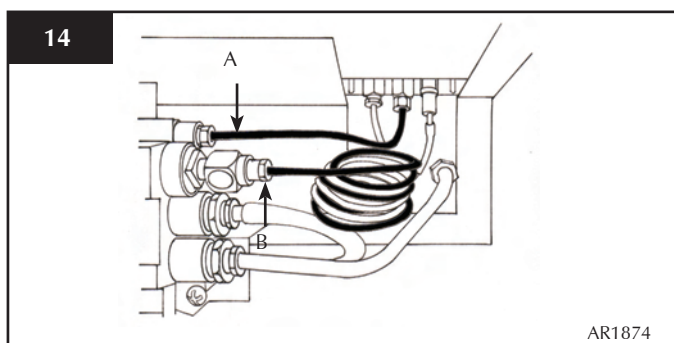
- Pull the ignition lead off the electrode and undo the retaining nut, Diagram 13

# SERVICING INSTRUCTIONS

## REPLACING PARTS



- Replace with a new electrode. Do not over-tighten the nut; this could break the component
- Replace the ignition lead by pushing the spade connector onto the terminal (electrode)



### 8.4 Pilot Injector

- Undo the pilot pipe from the gas valve and from the underside of the pilot burner, Diagram 14, arrow A
- Remove the pipe and the injector drops out from the burner

### 8.5 Thermocouple

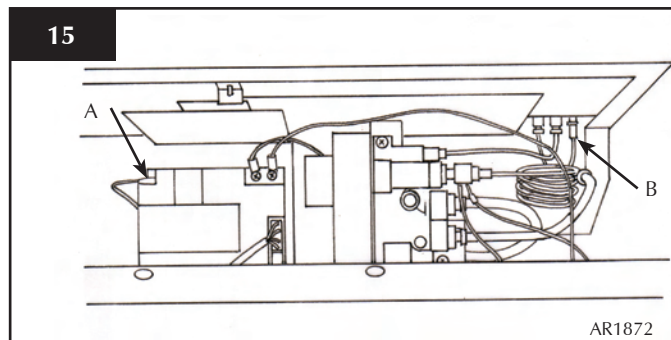
- Disconnect the thermocouple from the gas valve/interrupter, Diagram 14, Arrow B
- Undo the thermocouple nut in the back of the pilot bracket half a turn. This releases the thermocouple.

When replacing with a new thermocouple, take care to bend the new component to the same shape as the thermocouple just removed.

To refit the thermocouple into the pilot bracket, ensure it is pushed fully into the hole. There is a stop on the thermocouple to set the height.

- Lock the retaining nut just enough to grip the thermocouple
- Connect the thermocouple to the valve/interrupter and **take care not to over-tighten**

## 9. IGNITION LEAD



### 9.1 To replace the ignition lead:

- Release the Main Control Assembly and tilt backwards, see *Section 7* above
- Remove the ignition lead from the control box, Diagram 15, Arrow A
- Remove the ignition lead from the electrode, Diagram 15, Arrow B

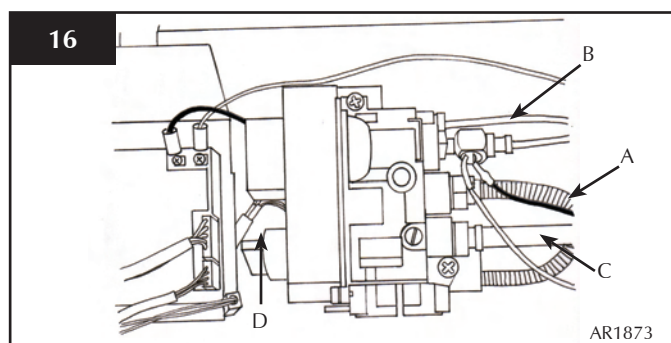
**Note the direction of the lead. The new lead must follow exactly the same route.**

**NOTE: THE IGNITION LEAD MUST NOT PASS IN FRONT OF THE CONTROL BOX AS THIS CAN DAMAGE THE SENSITIVE ELECTRONICS.**

## 10. GAS VALVE

### 10.1 To change the gas valve:

- Remove the control assembly, *Section 7*
  - Release the gas inlet pipe, Diagram 16, Arrow A
  - Remove the thermocouple from the interrupter block and release the second thermo current cables
  - Release the pilot pipe, Diagram 16, B
  - Release the injector feed pipe, Diagram 16, C
  - Remove the wire cable, Diagram 16, D
  - Remove the two screws
- The valve can now be freed.





# SERVICING INSTRUCTIONS

## REPLACING PARTS

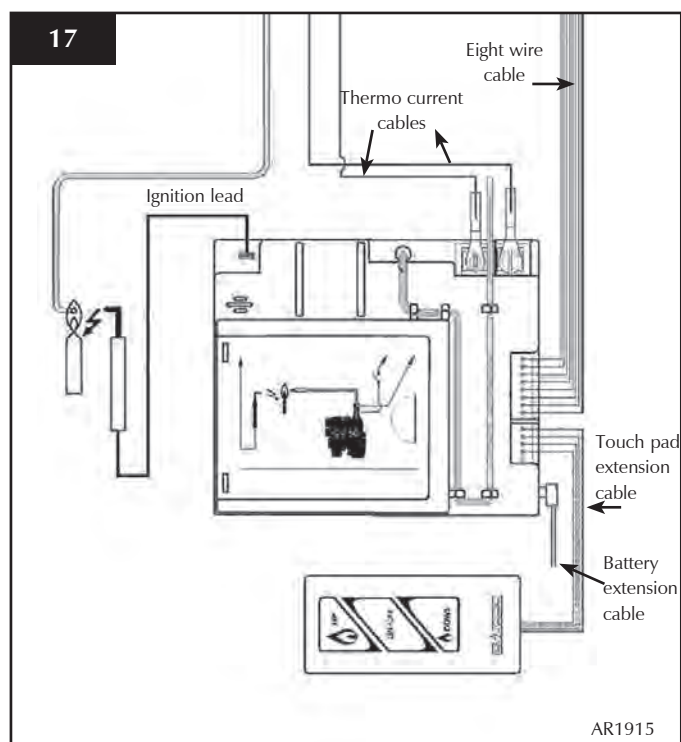
### 11. MAGNETIC SAFETY VALVE

11.1 To replace the magnetic safety valve:

- Undo the thermocouple from the interrupter block and remove the two thermo current cables
- Unscrew the interrupter block from the back of the valve
- Undo the silver magnetic valve retaining nut on the back of the valve.
- Gently tap out the mag valve
- Replace with a new unit
- Reassemble in reverse order

### 12. CONTROL BOX

- Remove the two thermo current cables by removing the two screws, Diagram 17
- Remove the ignition lead, Diagram 17
- Remove the eight loom wire from the control box, Diagram 17



- Remove the battery extension cable, Diagram 17
  - Remove the touch pad extension cable
- The control box can now be replaced.  
After replacing the control box you may need to reprogram the handset:
- Press and hold the reset button on the control box until you hear two signals. After the second longer signal:
    - Release the reset button and within 20 seconds

- Press the DOWN button on the handset until you hear an additional long signal confirming the new code

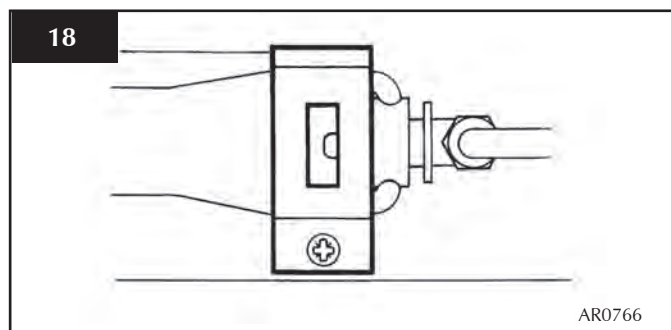
### 13. MAIN INJECTOR

- 13.1 To change the main injector:
- Undo the injector feed pipe
  - Undo the lock nut from the injector
  - Replace with the correct size injector

### 14. PRIMARY AERATION PLATE

NOT ALL MODELS HAVE AERATION PLATES. REFER TO NOTE AT BEGINNING OF INSTALLATION INSTRUCTIONS.

- 14.1 Remove the burner module as described in Servicing Section 2.
- 14.2 Remove the fixing screw and slide the plate off the venturi.
- 14.3 Replace with the correct size plate and secure with the screw. Ensure the lower edge of the plate is located over the venturi flange. See Diagram 18.



### 15. CHANGING BETWEEN GAS TYPES

In order to change between gas types, it will be necessary to change the following items:

**Burner Unit**

**Pilot Injector**

**Control Valve**

**Injector**

**Aeration Plate (if required)**

**Data badge**

A kit of parts is available for this, always quote the Model number and Serial number when ordering any spare parts.

**NOTE: THE CONTROL VALVE IS FACTORY PRESET FOR THE CORRECT GAS TYPE AND MODEL, A NEW UNIT WILL NEED TO BE ORDERED WHEN CHANGING BETWEEN GAS TYPES.**

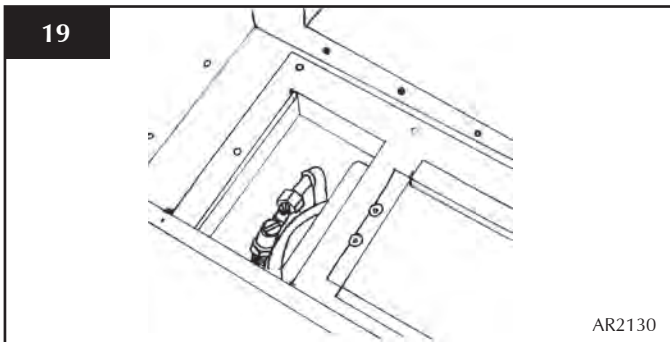
# SERVICING INSTRUCTIONS

## REPLACING PARTS

### 16. PRESSURE AND LEAK TESTING THE APPLIANCE

16.1 Follow *Section 7, Main Control Assembly*:

- Access to the pressure test point can now be reached, Diagram 19



16.2 To leak test any gas joints on the appliance, the control assembly must first be undone and tilted backwards, see *Section 7, 7.3 Diagram 11*

16.3 Because there is now no burner fitted to perform a leak test, place a manometer tube over the injector tip.

- Light the appliance and spray any joints with leak detector fluid
- Tighten joints or replace as required

# SERVICING INSTRUCTIONS

## REPLACING PARTS

### 15. SHORT SPARES LIST

COMPONENT	STUDIO 22	
	NG	LPG
PILOT INJECTOR	PI0069	PI0070
MAIN INJECTOR	IN0050	IN0051
BURNER ASSEMBLY	GZ5501	GZ5510
AERATION PLATE	G20 - GZ3269	G30 - N/A
	G25 - GZ3869	G31 - GZ2016
ELECTRODE	PI0075	
THERMOCOUPLE	PI0074	
MAG UNIT	GC0092	
IGNITION LEAD	GC0125	
GAS VALVE	GC0123	
CONTROL BOX	GC0150	
REMOTE CONTROL	GC0149	
INTERRUPTER BLOCK	GC0124	
THERMOCURRENT CABLE	GC0128	
TOUCH PAD	GC0143	
TOUCH PAD LEAD	GC0144	
BATTERY HOLDER	EL0410	
BATTERY HOLDER CABLE	GC0127	
REAR VERMICULITE PANE	CE0694	
SIDE VERMICULITE PANEL	CE0693	
BASE VERMICULITE PANEL	CE0695	
LOG SET	CE0720	

# SERVICE RECORDS

## 1ST SERVICE

Date of Service:.....

Next Service Due:.....

Signed:.....

Dealer's Stamp/CORGI Registration Number

## 2ND SERVICE

Date of Service:.....

Next Service Due:.....

Signed:.....

Dealer's Stamp/CORGI Registration Number

## 3RD SERVICE

Date of Service:.....

Next Service Due:.....

Signed:.....

Dealer's Stamp/CORGI Registration Number

## 4TH SERVICE

Date of Service:.....

Next Service Due:.....

Signed:.....

Dealer's Stamp/CORGI Registration Number

## 5TH SERVICE

Date of Service:.....

Next Service Due:.....

Signed:.....

Dealer's Stamp/CORGI Registration Number

## 6TH SERVICE

Date of Service:.....

Next Service Due:.....

Signed:.....

Dealer's Stamp/CORGI Registration Number

## 7TH SERVICE

Date of Service:.....

Next Service Due:.....

Signed:.....

Dealer's Stamp/CORGI Registration Number

## 8TH SERVICE

Date of Service:.....

Next Due:.....

Signed:.....

Dealer's Stamp/CORGI Registration Number

## 9TH SERVICE

Date of Service:.....

Next Service Due:.....

Signed:.....

Dealer's Stamp/CORGI Registration Number

## 10TH SERVICE

Date of Service:.....

Next Service Due:.....

Signed:.....

Dealer's Stamp/CORGI Registration Number

**Gazco Limited, Osprey Road, Sowton Industrial Estate, Exeter, Devon, England EX2 7JG**  
**Tel: (01392) 261999 Fax: (01392) 444148 E-mail: [info@gazco.com](mailto:info@gazco.com)**

A member of the Stovax Group



## Free Manuals Download Website

<http://myh66.com>

<http://usermanuals.us>

<http://www.somanuals.com>

<http://www.4manuals.cc>

<http://www.manual-lib.com>

<http://www.404manual.com>

<http://www.luxmanual.com>

<http://aubethermostatmanual.com>

Golf course search by state

<http://golfingnear.com>

Email search by domain

<http://emailbydomain.com>

Auto manuals search

<http://auto.somanuals.com>

TV manuals search

<http://tv.somanuals.com>