

GAZCO



Avanti Frame Instructions for Use and Installation

**For use with Gas Riva 53, Gas and Electric Riva 67
and Gas Riva 70**

**Gazco Limited, Osprey Road, Sowton Industrial Estate, Exeter, Devon, England EX2 7JG
Tel: (01392) 261999 Fax: (01392) 444148 E-mail: info@gazco.com**

A member of the Stovax Group

PR0651 Issue 4 (January 2007)

USER INSTRUCTIONS

CONTROLS & BATTERIES

To access the fire's controls:

- Gently pull the frame forwards and swing up.

Always lift the door from both the right and left hand side as shown in diagram 6 below.

The controls are situated at the bottom right of the appliance. The batteries, if applicable, are beside the control box.

Batteries for Gas versions

Details on **Replacing the Batteries** are given in the **User** section of the appropriate Riva Instructions manual.

CLEANING THE FRAME

- Only clean the frame when it is cold.
- The stainless steel should be cleaned using Stovax Stainless Steel Cleaner Part Number 5035 which is available from your local Gazco/Stovax stockists.
- The black steel should be wiped with a damp cloth and buffed with a lint-free duster.

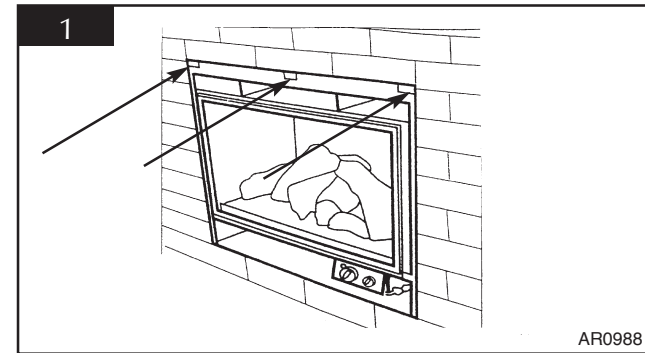
INSTALLATION INSTRUCTIONS

Covering the following frames:

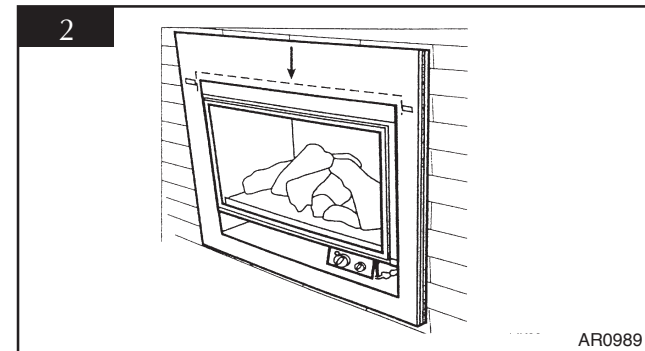
8642BS Riva 53 Horizontal Curve 8632BS Riva 53 Vertical Curve
8631BS Riva 67 Standard (Flat) 8633BS Riva 70 Standard (Flat)
8641BS Riva 67 Curved 8643BS Riva 70 Curved

FITTING

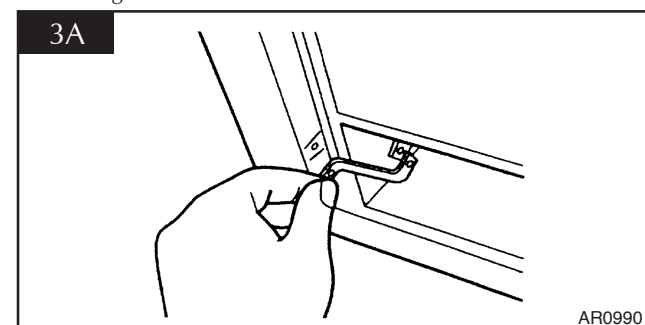
- Take notice of the locating lugs situated at the top of the fire as these secure the backplate of the fire. See diagram 1



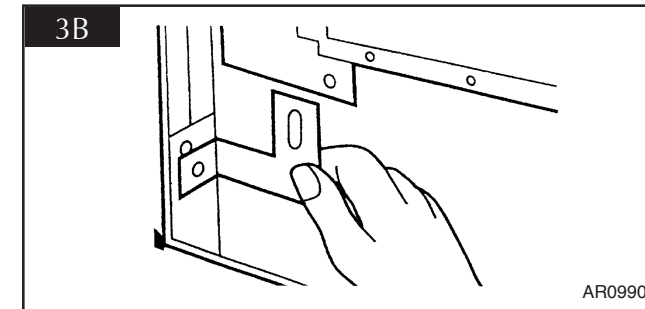
- Place the backplate over the locating lugs and fully engage to ensure secure fixing.
Important: Ensure all three lugs have engaged. See diagram 2.



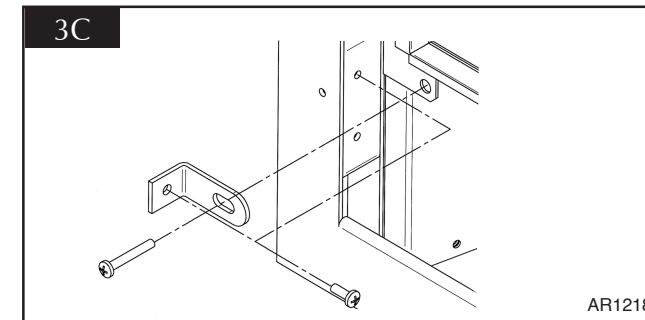
- Secure the lower part of the frame using the appropriate brackets supplied.
- Conventional flue gas Riva 67 use the bracket shown in diagram 3A.



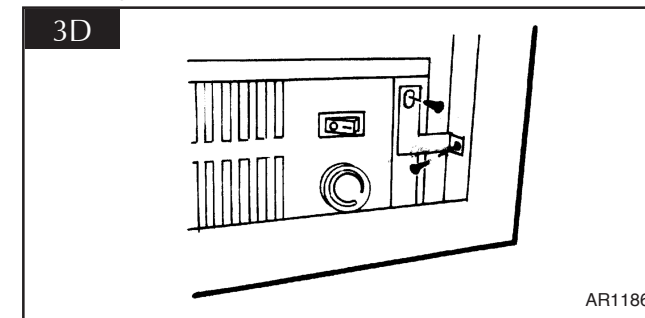
- For the balanced flue gas Riva 53, 67 and 70 use the bracket shown in diagram 3B.



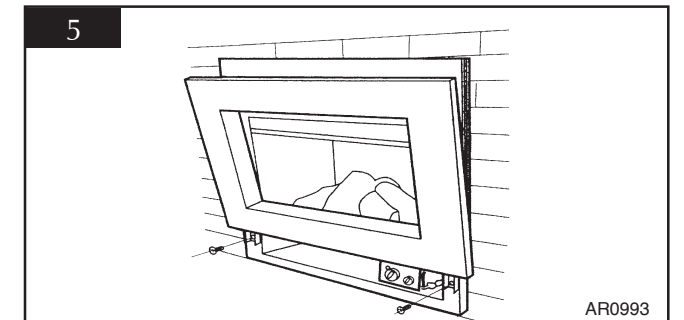
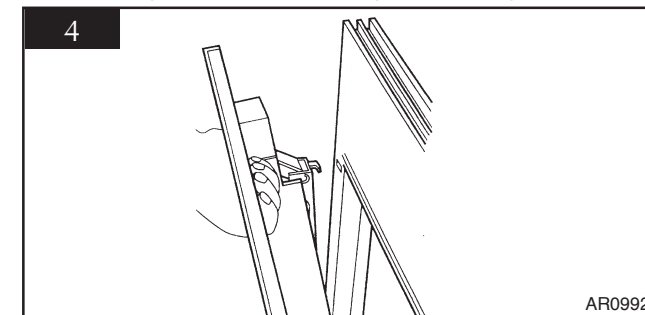
- For the conventional flue gas Riva 53 use the bracket shown in diagram 3C.



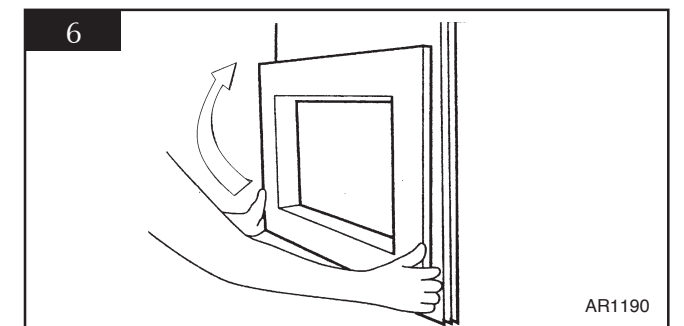
- For the electric Riva 67 use the bracket shown in diagram 3D.



- Before positioning the door assembly, check the location of the securing lugs on the back of the door assembly. These are at the top of the sprung loaded hinge. Slot into the rectangular holes on the backplate. See diagram 4.



- Carefully lift the door assembly into the open position and secure the bottom of the spring mechanism with fixing screws. See diagram 5.
- Close the door and check positioning. Always lift the door from both the right and left hand side as shown in diagram 6.
- Instruct the user on the correct way to lift the door.



COMMISSIONING

- Continue with the commissioning tests detailed in the *Installation Instructions* supplied with the appliance.
- Ensure that the supplementary sheet is attached to the *Installation Instructions* and leave with the user.

FIXING KIT COMPONENTS

COMP. NO.	DESCRIPTION	QUANTITY
GZ 3863	Balanced Flue bracket / pair	2
GZ 3734	B Vent bracket	2
GZ4215	Riva 53 Avanti FR FIX BRTs	2
FA 0042	No. x 1 Black washer HD Pozi-drive	2
FA 0016	No. 8 x 10 Black Pozi-drive	4
PR 0651	Assembly Instructions	1

Free Manuals Download Website

<http://myh66.com>

<http://usermanuals.us>

<http://www.somanuals.com>

<http://www.4manuals.cc>

<http://www.manual-lib.com>

<http://www.404manual.com>

<http://www.luxmanual.com>

<http://aubethermostatmanual.com>

Golf course search by state

<http://golfingnear.com>

Email search by domain

<http://emailbydomain.com>

Auto manuals search

<http://auto.somanuals.com>

TV manuals search

<http://tv.somanuals.com>