



Brunel Mk III

Conventional Flue

With upgradeable control valve

Instructions for Use, Installation and Servicing

For use in GB, IE (Great Britain and Eire)

This appliance has been certified for use in countries other than those stated. To install this appliance in these countries, it is essential to obtain the translated instructions and in some cases the appliance will require modification. Contact Gazco for further information.

IMPORTANT

Do not attempt to burn rubbish in this fire. This stove must only be operated with the door secured firmly in position. The outer casing of this stove will become hot whilst in operation, it is therefore recommended that the appliance be guarded to protect the young and infirm using a suitable guard.

Ensure that fabrics such as curtains are not positioned above or near to the stoves outer casing.

**Please read these Instructions carefully and keep them in a safe place.
They will be needed when servicing the fire.**

The commissioning sheet found on page 3 should be completed by the installer.

CONTENTS
COVERING THE FOLLOWING MODELS
BRUNEL - 8050 - P8050

	PAGE
APPLIANCE COMMISSIONING CHECKLIST	3
USER INSTRUCTIONS	4
INSTALLATION INSTRUCTIONS	8
Technical Specifications	8
Site Requirements	9
Installation	10
Commissioning	13
SERVICING INSTRUCTIONS	14
Servicing Requirements	14
Fault Finding	14
How to replace parts	15
Basic spare parts list	18
Service Records	19

APPLIANCE COMMISSIONING CHECKLIST

IMPORTANT NOTICE

Explain the operation of the appliance to the end user, hand the completed instructions to them for safe keeping, as the information will be required when making any guaranteed claims.

FLUE CHECK	PASS	FAIL
1. Flue is correct for appliance		
2. Flue flow test		
3. Spillage test		
GAS CHECK		
1. Gas soundness & let by test		
2. Standing pressure test	mb	
3. Appliance working pressure (on High Setting) NB All other gas appliances must be operating on full	mb	
4. Gas rate	m ³ /h	
5. Does ventilation meet appliance requirements		
6. Have controls been upgraded (Upgradeable models only)	8455 Standard YES	NO
	8456 Programmable Thermostatic and Timer YES	NO

DEALER AND INSTALLER INFORMATION

Dealer

Gas Type

.....

Installation Company

.....

.....

Contact No.

Engineer

Date of Purchase

Contact No.

Model No.

Corgi Reg No.

Serial No.

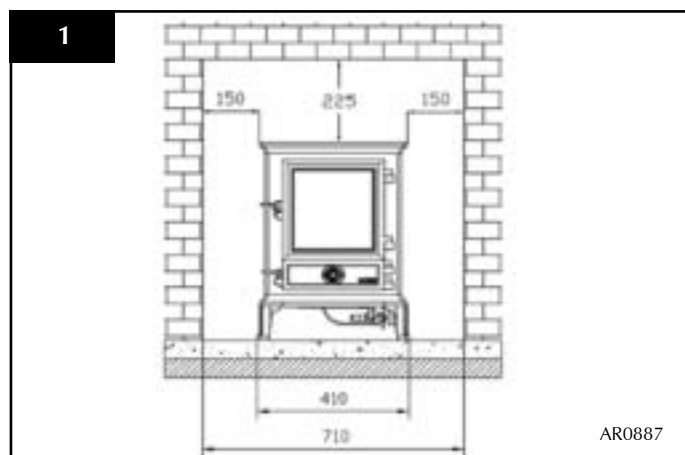
Date of Installation

This product is guaranteed for 2 years from the date of installation, as set out in the terms and conditions of sale between Gazco and your local Gazco dealer. **This guarantee will be invalid, to the extent permitted by law, if the above Appliance Commissioning Checklist is not fully completed by the installer and available for inspection by a Gazco engineer.** The guarantee will only be valid during the second year, to the extent permitted by law, if the annual service recommended in the Instructions for Use has been completed by a Corgi registered engineer, and a copy of the service visit report is available for inspection by a Gazco engineer.

USER INSTRUCTIONS

1. GENERAL

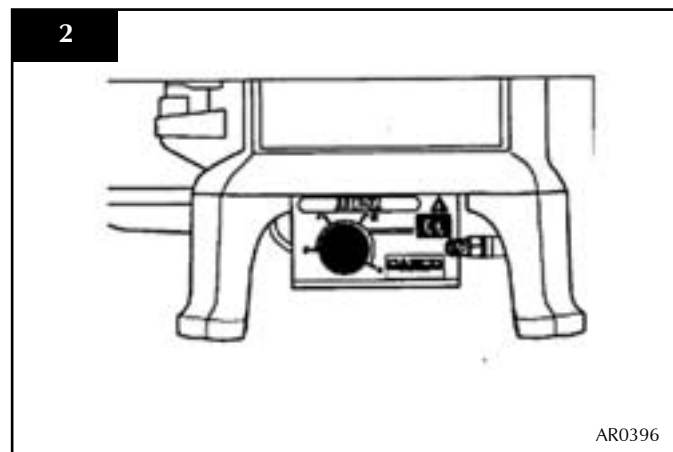
- 1.1 A competent person must carry out installation and servicing.
- 1.2 In all correspondence, please quote the appliance type and serial number, which can be found on the databadge located on a plate under the control valve.
- 1.3 Ensure that curtains are not positioned above the appliance and there is at least 300mm between the sides of the appliance and any curtains.
- 1.4 If any cracks appear in the glass panel do not use the appliance until the panel has been replaced.
- 1.5 If, for any reason, the flue has to be removed from the appliance, the seals must be replaced in the inner spigot.
- 1.7 Do not use a garden sprinkler or hose near the terminal.
- 1.8 Do not stand or place objects on the terminal guard as this will deform it.
- 1.9 This product is guaranteed for 2 years from the date of installation, as set out in the terms and conditions of sale between Gazco and your local Gazco dealer. Please consult with your local Gazco dealer if you have any questions. In all correspondence always quote the Model Number and Serial Number.
- 1.10 Any combustible shelves or surrounding furniture must only be fitted in accordance with the minimum dimensions detailed in diagram 1.



2. LIGHTING THE APPLIANCE

- 2.1 • Ensure the control is pointing to the off position ((●) Arrow A, Diagram 2).
- 2.2 • Hold in the control knob and rotate anti-clockwise until a click is heard and the knob is pointing at the ignition symbol ((★) Arrow B), the pilot should now be lit. See diagram 2.

- 2.3 • Hold in for 5 to 10 seconds and then release
The pilot remains lit. If the pilot does not light, repeat the procedure.



- 2.4 If the pilot still does not light after repeated attempts:
 - Contact the retailer or installer from whom the appliance was purchased.
 - Light the appliance by match as a temporary measure, see Section 4.
- 2.5 The appliance can now be turned to the high position to ignite the main burner (⚡), then controlled between high and low as desired.

THE YELLOW FLAMES WILL APPEAR WHEN THE FIRE HAS GAINED SUFFICIENT HEAT - TYPICALLY 10 TO 20 MINUTES.

IF THE APPLIANCE IS EXTINGUISHED OR GOES OUT IN USE, WAIT 3 MINUTES BEFORE ATTEMPTING TO RE-LIGHT THE APPLIANCE.

3. TURNING THE STOVE OFF

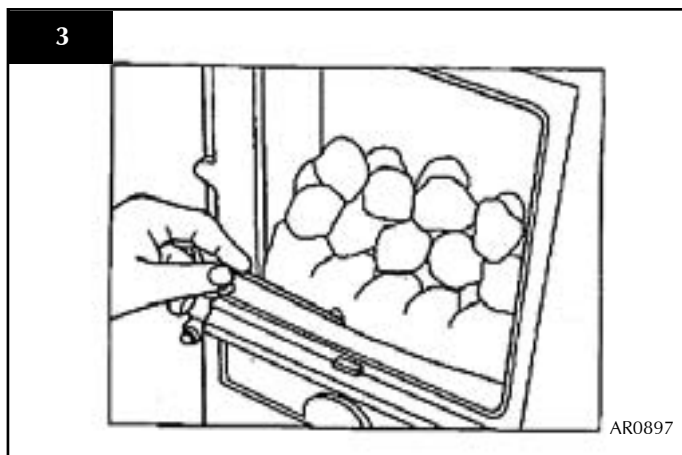
- 3.1 • Hold in the control knob and turn clockwise until the knob is pointing at the off position ((●)).

4. LIGHTING THE STOVE WITH A MATCH

- 4.1 • Slacken the domed nut on the upper door and loosen the bolt from behind the latch
The door can now be opened.

USER INSTRUCTIONS

- 4.2
- Hold in the control knob and rotate anti-clockwise until the knob is pointing at the ignition symbol (★)
 - Apply a lighted match to the pilot hood, Diagram 3



- 4.3 When the pilot is lit:
- Extinguish the match and continue to hold in the knob for 5 to 10 seconds
- 4.4
- Close the door and tighten the bolt and nut with a spanner
- 4.5 The fire can now be operated as previously described.

5. CLEANING THE STOVE

WARNING: DO NOT ATTEMPT TO CLEAN THE STOVE UNTIL IN A COLD CONDITION. THE STOVE RETAINS ITS HEAT FOR A CONSIDERABLE TIME AFTER SHUTDOWN.

ADVICE ON HANDLING AND DISPOSAL OF FIRE CERAMICS

The fuel effect and side panels in this appliance are made from Refractory Ceramic Fibre (RCF), a material which is commonly used for this application.

Protective clothing is not required when handling these articles, but we recommend you follow normal hygiene rules of not smoking, eating or drinking in the work area and always wash your hands before eating or drinking.

To ensure that the release of RCF fibres are kept to a minimum, during installation and servicing a HEPA filtered vacuum is recommended to remove any dust accumulated in and around the appliance before and after working on it. When servicing the appliance it is recommended that the replaced items are not broken up, but are sealed within heavy duty polythene bags and labelled as RCF waste.

RCF waste is classed as stable, non-reactive hazardous waste and may be disposed of at a licensed landfill site.

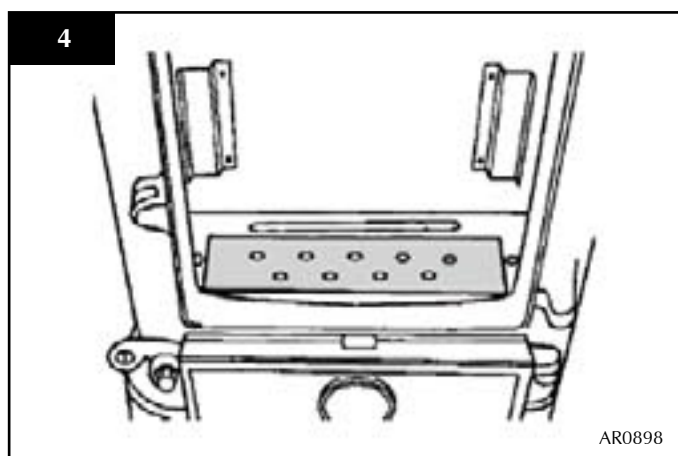
Excessive exposure to these materials may cause temporary irritation to eyes, skin and respiratory tract; wash hands thoroughly after handling the material.

- 5.1
- Release the door as described in section 4.1

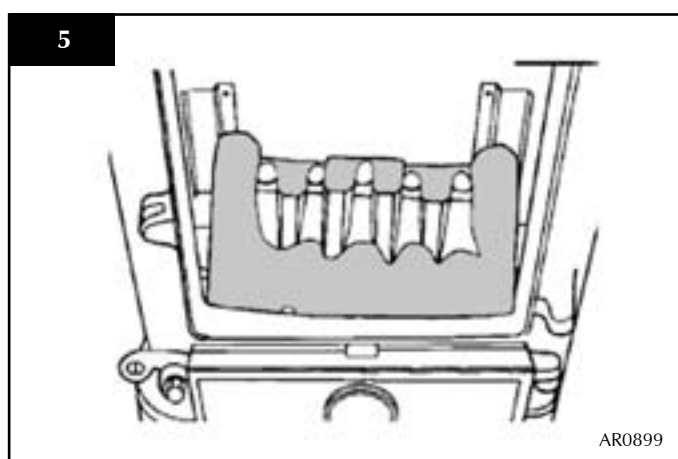
- 5.2
- Remove the ceramic coals, rear panel, fuel bed and burner cover gasket
 - Handle these components with care as they are fragile
- 5.3 The ceramic coals and fuel bed can be cleaned using a vacuum cleaner with a soft brush attachment. It is advisable not to clean the cover gasket as this is very fragile. Ensure all debris is removed from the burner ports.
- 5.4
- Replace the ceramics, referring to section 6.

6. FUEL BED ARRANGEMENT

- 6.1
- Place the white ceramic cover gasket onto the burner
 - Ensure the holes align with the burner ports, Diagram 4.

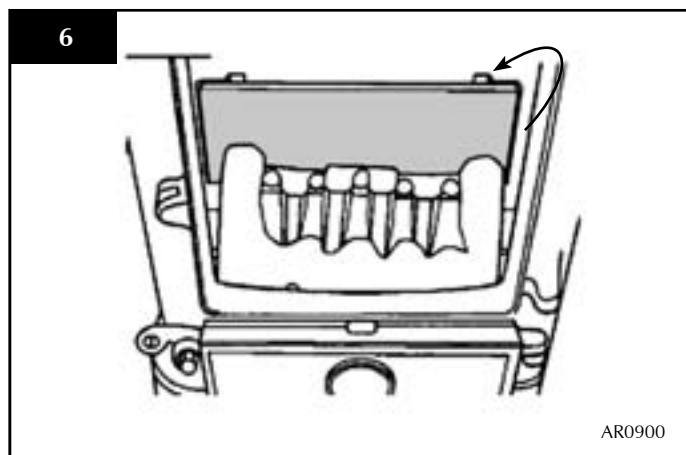


- 6.2
- Place the fuel bed over the burner, tallest part towards the rear of the firebox, Diagram 5

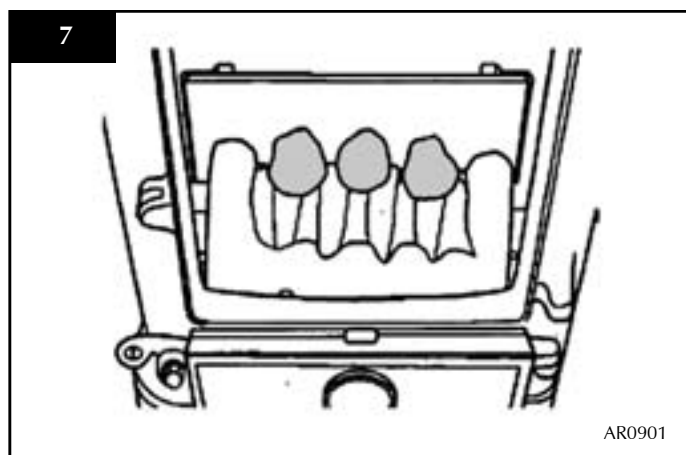


- 6.3
- Carefully feed the rear panel into the firebox and engage it between the two locating brackets
 - Slide the panel down behind the fuel bed, Diagram 6

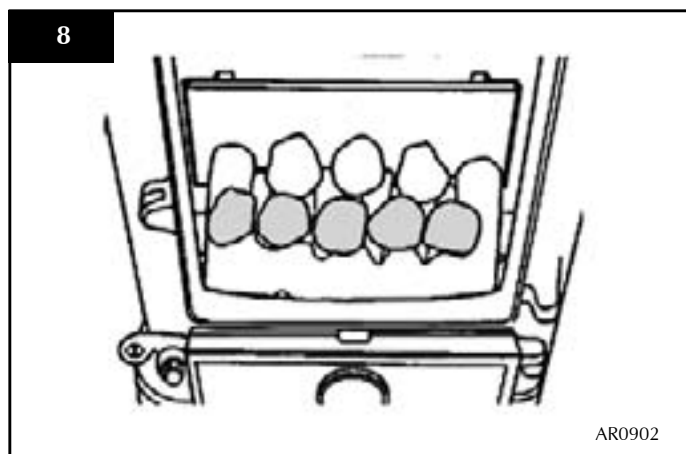
USER INSTRUCTIONS



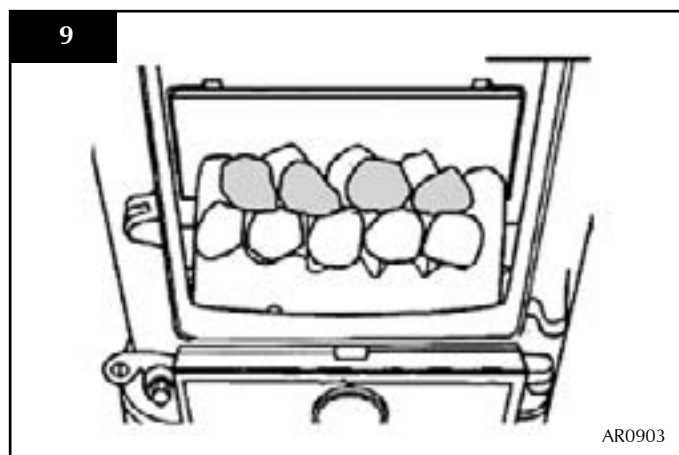
- 6.4 • Place three coals equally spaced on the rear of the fuel bed so they touch the rear panel, Diagram 7



- 6.5 • Place five coals on the front of the fuel bed so they rest on the front coal effect and lean against the vertical fingers, Diagram 8



- 6.6 • Place the remaining four coals between the two rows of coals
• Rotate the coals to ensure they are secure on the fuel bed, Diagram 9



- 6.7 • Close the door and tighten the bolt and domed nut
NOTE: ENSURE THAT THE COALS ARE POSITIONED, AS DETAILED ABOVE. ONLY USE THE CORRECT AMOUNT OF COALS, AS SPECIFIED IN THE DIAGRAMS

7. GAZCO FLUE SURE SYSTEM

- 7.1 The stove is fitted with the Gazco Flue Sure System, which will act to cut off the gas supply to the burners in the event of incorrect operation of the flue. If the system acts to cut off the gas supply, this indicates that there is insufficient flue pull. If this occurs a minimum of 10 minutes should be allowed before trying to relight. Continued operation of this safety device means there may be a serious problem with the flue system. A qualified gas engineer should inspect this. **Do not use the stove until an engineer says it is safe to do so.**

8. THE FLAME FAILURE DEVICE

- 8.1 This is a safety feature incorporated in all GAZCO fires, which automatically switches off the gas supply if the pilot light goes out and fails to heat the thermocouple.

USER INSTRUCTIONS

9. 'RUNNING IN'

- 9.1 The surface coating on your GAZCO stove will 'burn off' during the first 24 hours of operation on high, producing a harmless and temporary odour. If the odour persists ask your retail for advice.

10. SERVICING

- 10.1 A qualified gas engineer must service the stove every 12 months. In all correspondence, always quote the appliance type and the serial number that may be found on the data badge on the appliance.

11. VENTILATION

- 11.1 Any purpose provided ventilation should be checked periodically to ensure that it is free from obstruction.

12. INSTALLATION DETAILS

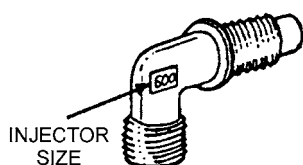
- 12.1 To assist in any future correspondence, your installer should have completed this commissioning sheet, this records the essential installation details of this appliance. In all correspondence always quote the model No. and serial No.

INSTALLATION INSTRUCTIONS

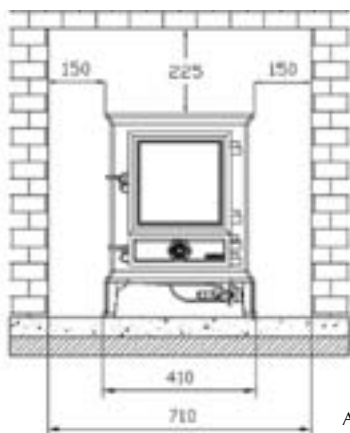
TECHNICAL SPECIFICATION

Covering the following models Brunel - 8050 - P8050

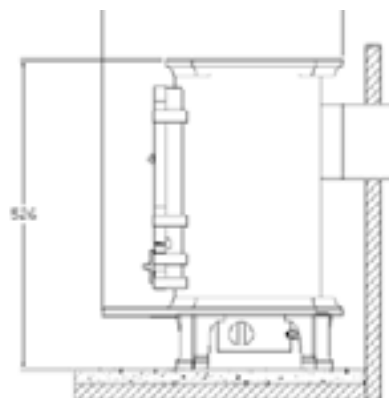
Model	Gas Cat.	Gas Type	Pressure	Nox Class	Aeration	Injector	Gas Rate m ³ /h	Input kW (Gros)		Country
								Hoog	Laag	
Brunel 8050	I _{2H}	Natural Gas (G20)	20mbar	5	4 x 16	120	0.43	4.5	2.25	GB, IE
Brunel P8050	I ₃₊	Butane (G30)	29 mbar	5	16 x 23 (2)	260	0.127	4.45	2	GB, IE
		Propane (G31)	37 mbar		16 x 23		0.167			
Efficiency Class II Gas inlaat afmeting 8mm Ø										
Minimum flue specification T260/N2/O/D/1										
Maximum flue temperature 180°C										



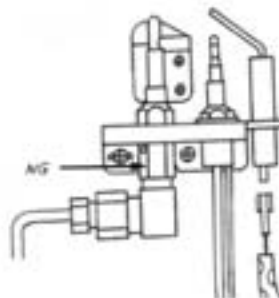
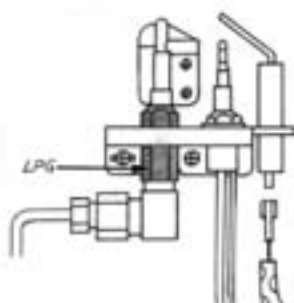
AR0889



AR0887



AR0888



AR0521

INSTALLATION INSTRUCTIONS

SITE REQUIREMENTS

1. FLUE AND CHIMNEY REQUIREMENTS

- 1.1 The chimney or flue system must comply with the rules in force, and must be a minimum of 127mm (5") in diameter. The following are suitable for use with this appliance.
- A) 230mm x 230mm (9" x 9") conventional brick or stone built chimney.
- B) A precast flue system used in conjunction with vertical closure plate and flue spigot extension.
- C) A metal flue box used in conjunction with a vertical closure plate and flue spigot extension. The metal flue box must be constructed to the requirements of BS 715.
- NOTE: IF IT IS INTENDED TO FIT THE STOVE INTO AN EXISTING BRICK CHIMNEY WITHOUT A CLOSURE PLATE, A 127MM LINER MUST BE USED.
- 1.2 The minimum effect height of the flue or chimney must be 3 metres (10ft).
- 1.3 The chimney or flue must be free from any obstruction. Any damper plates should be removed or secured in the fully open position, and no restrictor plates should be fitted.
- 1.4 The chimney should be swept immediately prior to the installation of the appliance. However, where it can be seen that the chimney is clean and unobstructed throughout its entire length, it need not be swept.

2. VENTILATION

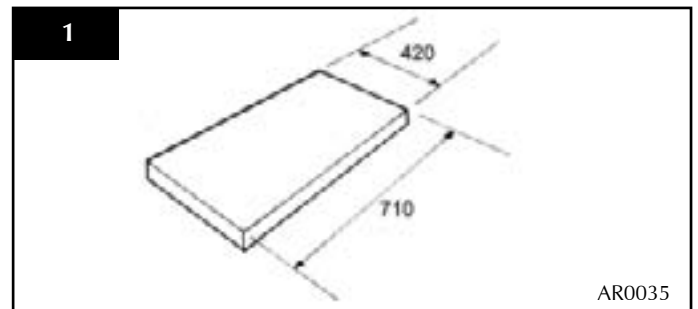
- 2.1 This appliance has a nominal input not exceeding 7.0kw and therefore, does not normally require any additional permanent ventilation.
- 2.2 If however, spillage is detected when commissioning the appliance, there may be insufficient natural ventilation and additional ventilation may be required.
- 2.3 For ventilation requirements it will be necessary to refer to national and local rules in force.

3. INSTALLATION OF THE GAS SUPPLY

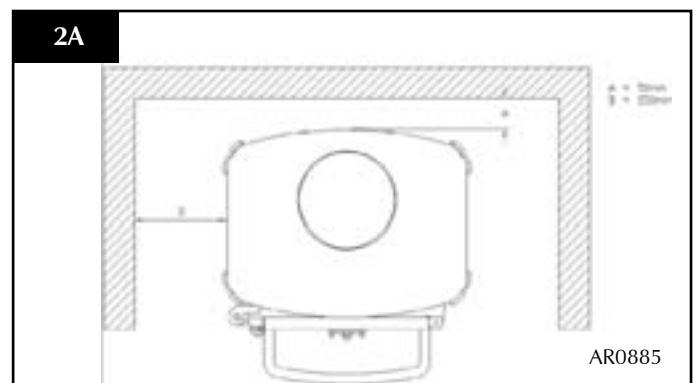
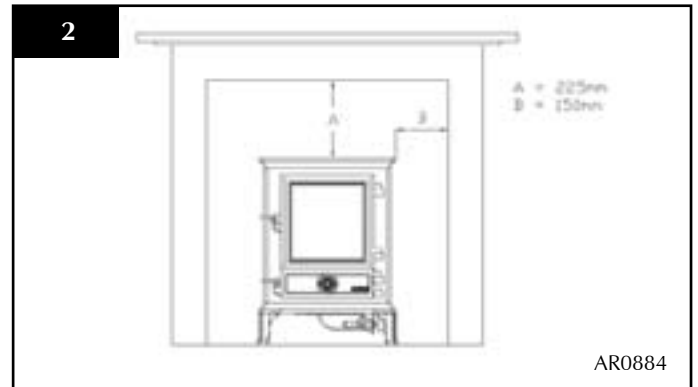
- 3.1 Before installation, ensure that the local distribution conditions (identification of the type of gas and pressure) and the adjustment of the appliance are compatible.
- 3.2 Ensure that the gas supply is capable of delivering the required amount of gas, and is in accordance with the rules in force.
- 3.3 Soft copper tubing and soft soldered joints can be used but must not be closer than 50mm to the base of the tray.
- 3.4 A means of isolating the gas supply to the appliance must be provided independent of any appliance control.
- 3.5 All supply gas pipes must be purged of any debris that may have entered, prior to connection to the appliance.

4. APPLIANCE LOCATION

- 4.1 This appliance must stand on a non-combustible hearth that is at least 12mm thick, and project a minimum of 50mm from the base of the stove in all directions.



- 4.2 This appliance must not be installed in a room that contains a bath or shower.
- 4.3 The stove is not suitable for installation against a combustible wall; all combustible materials must be removed from the area behind the stove.
- 4.4 Ensure that all minimum clearances to combustible materials are complied with, Diagrams 2 & 2A.



In a non-combustible recess attention must be given to allowing adequate clearance at the sides and rear of the stove, so that a spillage test can be performed, and the controls reached.

INSTALLATION INSTRUCTIONS

INSTALLATION

IMPORTANT: ENSURE THAT THE APPLIANCE IS CORRECTLY ADJUSTED FOR THE GAS TYPE AND CATEGORY APPLICABLE IN THE COUNTRY OF USE. REFER TO DATABADGE AND TECHNICAL SPECIFICATIONS AT THE FRONT OF THE BOOKLET.

LPG MODELS: THE APPLIANCE IS FACTORY SET TO RUN ON BUTANE G30. IF IT IS INTENDED TO BE USED ON PROPANE G31 THE AERATION PLATE SUPPLIED MUST BE FITTED.

FOR DETAILS OF CHANGING AERATION PLATES REFER TO SECTION 29.

FOR DETAILS OF CHANGING BETWEEN GAS TYPES REFER TO SECTION 30.

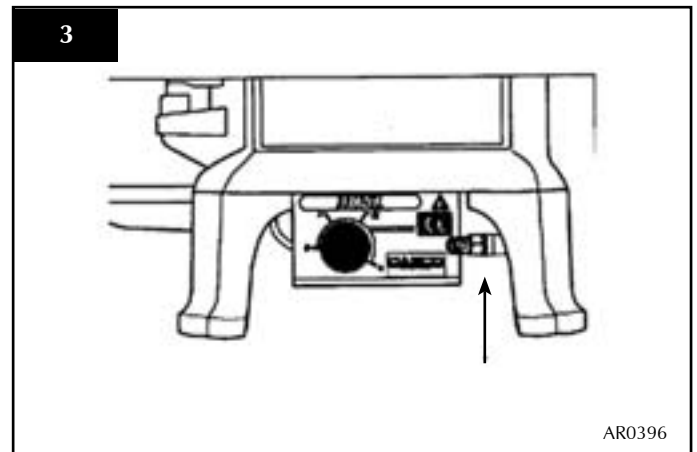
1. SAFETY PRECAUTIONS

- 1.1 This appliance must be installed in accordance with the rules in force, and used only in a sufficiently ventilated space. Please read these instructions before installation and use of this appliance.
- 1.2 All the instructions must be left intact with the user.
- 1.3 In your own interest, and those of safety, this appliance must be installed by a competent person in accordance with local and national codes of practice. Failure to install the appliance correctly could lead to prosecution.
- 1.4 This appliance is intended for use on a governed gas installation and set to the required pressure.
- 1.5 Keep all plastic bags away from young children.
- 1.6 Do not place any object on or near to the stove. Allow adequate clearance above the stove, see *Technical Specification*.
- 1.7 The stove is fitted with the **Gazco Flue Sure System**, which will act to cut off the gas supply to the appliance in the event of incorrect operation of the flue. If the system acts to shut off the gas supply, this indicates that there is insufficient flue pull. If this occurs a minimum of 10 minutes should be allowed before trying to relight. Continued operation of this safety device means that there may be a serious problem with the flue system; a qualified gas engineer should inspect this. **DO NOT USE THE STOVE UNTIL AN ENGINEER SAYS IT IS SAFE TO DO SO.**
- 1.8 The Flue Sure System must not be tampered with. Use only genuine Gazco replacement parts when servicing the system - refer to servicing section on page 15.

2. INSTALLATION OF THE STOVE

- 2.1
 - Remove the outer carton
 - Take the stove off the pallet and remove the accessory carton.
- 2.2
 - Position the stove ensuring all appropriate clearances are observed.

- 2.3 Having run the gas supply to the stove, PURGE THE SUPPLY PIPE, this is essential to expel any debris that may block the gas controls.
 - Connect the gas supply to the 8mm-compression elbow at the RH rear corner of the stove, Diagram 3.



- 2.4
 - Check the pull of the flue system by applying a lighted smoke pellet to the flue system opening.

If there is a definite flow into the chimney, proceed with the installation, if not warm the chimney for a few minutes.

IF THERE IS STILL NO DEFINITE FLOW, THE FLUE MAY REQUIRE ATTENTION - SEEK EXPERT ADVICE
- 2.5 The flue system may now be connected to the stove:
 - Ensure that all joints are sealed with a suitable fire resistant sealant.

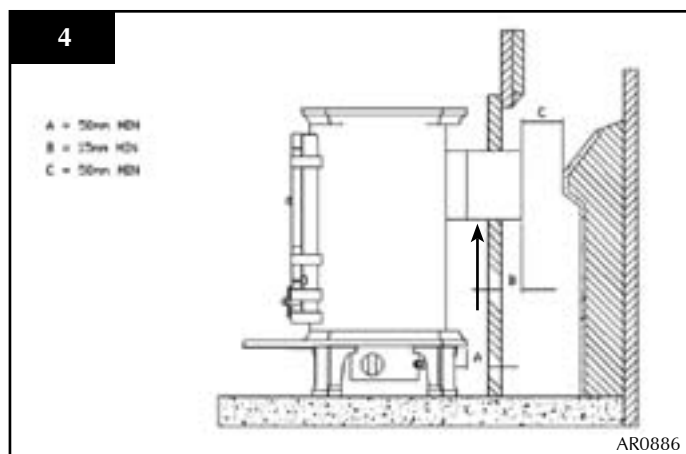
It is also recommended that a physical retention method be used at the flue spigot joint, self-tapping screws being favoured.
- 2.6
 - Connect a suitable pressure gauge to the test point located on the inlet fitting,
 - Turn the gas supply on
 - Light the appliance and check all gas joints for possible leaks
 - Turn the appliance to a maximum and check that the supply pressure is as stated on the databadge.
 - Turn the gas off and replace the test point screw
 - Turn the gas on and check the test point for leaks.

NOTE: The stove is also suitable for installation onto a fireplace opening. The following method illustrates how this can be achieved with the aid of the optional closure plate and spigot extension:

 - Ensure that the fireplace dimensions are shown in Diagram 4.

INSTALLATION INSTRUCTIONS

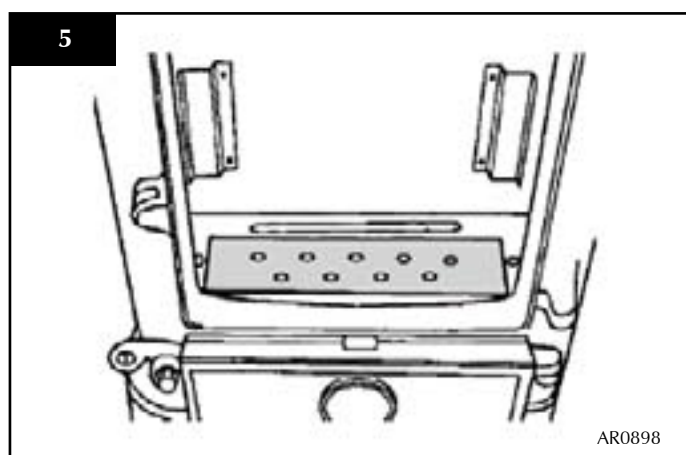
INSTALLATION



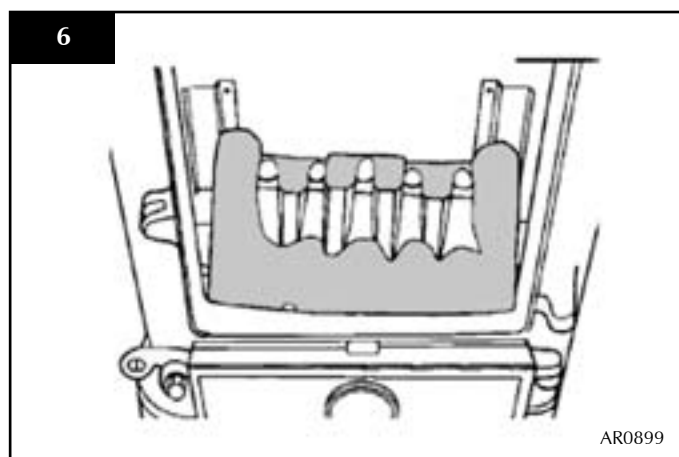
- 2.7 • Place the closure plate against the fireplace opening •
 • Ensure there is sufficient overlap around the perimeter to allow a fume tight seal to be made
 • Cut straight across the top of the plate if trimming is required
- 2.8 • Seal the plate to the opening and the hearth with suitable heat resisting material.
- 2.9 • Secure the spigot extension to the engine assembly and seal with heat resisting tape or similar
 • Position the engine assembly ensuring the 50mm rear clearance is maintained
 • Proceed with the installation as detailed in points 2.2 to 2.6 above.
- 2.10 • Secure the lip plate to the underside of the stove with the two bolts provided.

3. FUELBED ARRANGEMENT

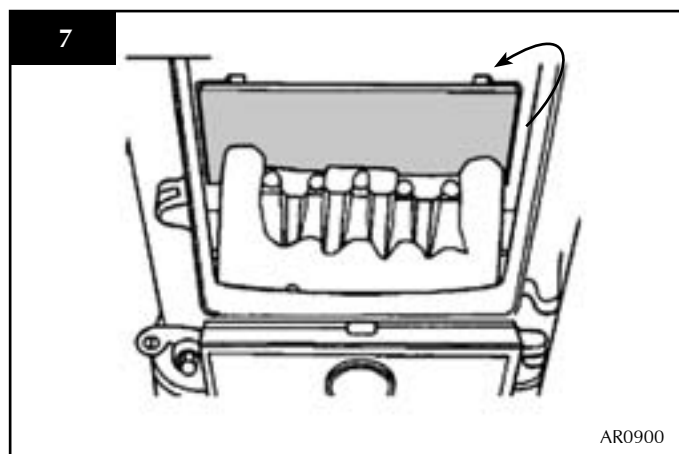
- 3.1 • Place the white ceramic cover gasket onto the burner
 • Ensure the holes align with the burner ports, Diagram 5.



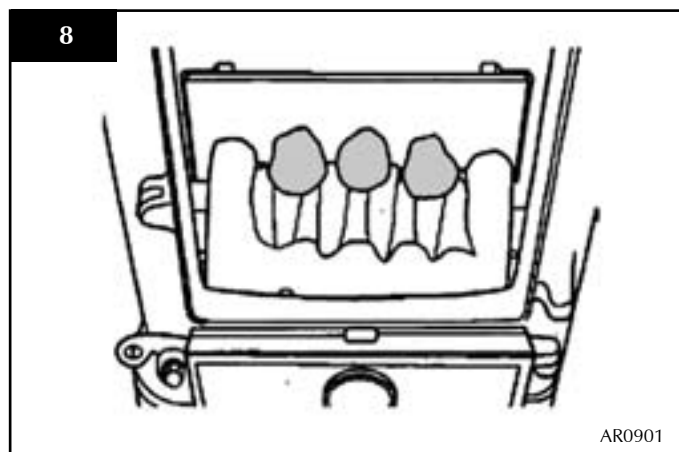
- 3.2 • Place the fuel bed over the burner, tallest part towards the rear of the firebox, Diagram 6



- 3.3 • Carefully feed the rear panel into the firebox and engage it between the two locating brackets
 • Slide the panel down behind the fuel bed, Diagram 7



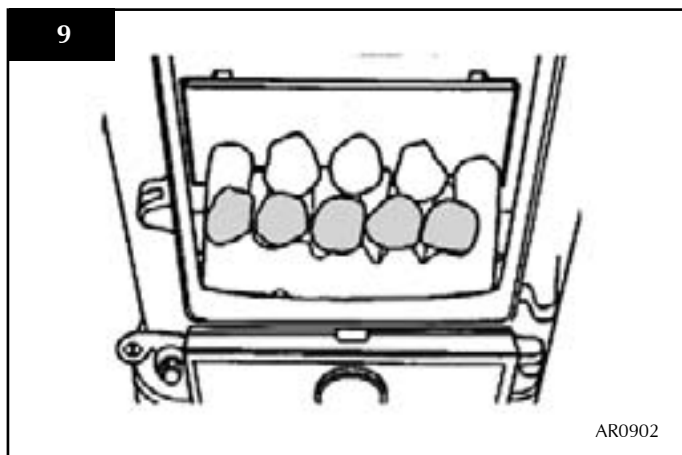
- 3.4 • Place three coals equally spaced on the rear of the fuel bed so they touch the rear panel, Diagram 8



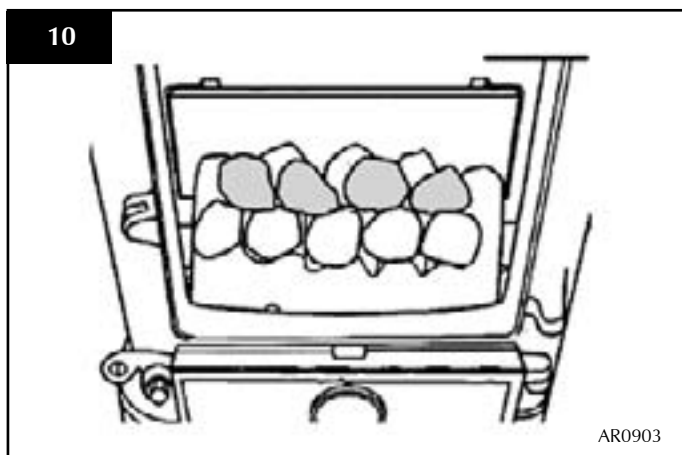
INSTALLATION INSTRUCTIONS

INSTALLATION

- 3.5
- Place five coals on the front of the fuel bed so they rest on the front coal effect and lean against the vertical fingers, Diagram 9



- 3.6
- Place the remaining four coals between the two rows of coals
 - Rotate the coals to ensure they are secure on the fuel bed, Diagram 10



- 3.7
- Close the door and tighten the bolt and domed nut
- NOTE: ENSURE THAT THE COALS ARE POSITIONED, AS DETAILED ABOVE. ONLY USE THE CORRECT AMOUNT OF COALS, AS SPECIFIED IN THE DIAGRAMS**

4. LIGHTING

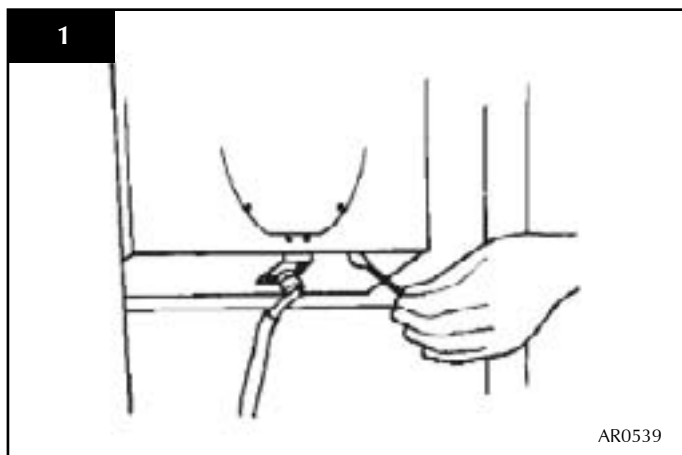
- 4.1 Full instructions are given in the User Section of this manual

INSTALLATION INSTRUCTIONS

COMMISSIONING

1. COMMISSIONING

- 1.1
- Close all openable doors and windows in the room
 - Ignite the stove and operate on maximum for 10 minutes



If there is any doubt, run the stove for a further 10 minutes, and repeat the test.

- 1.2
- If there are any extractor fans in adjacent rooms, the test must be repeated with the fans running on maximum and interconnecting doors open.

IF SPILLAGE PERSISTS, DISCONNECT THE APPLIANCE AND SEEK EXPERT ADVICE.

For future reference record the installation details on the Commissioning Sheet page 3 of these instructions.

SERVICING INSTRUCTIONS

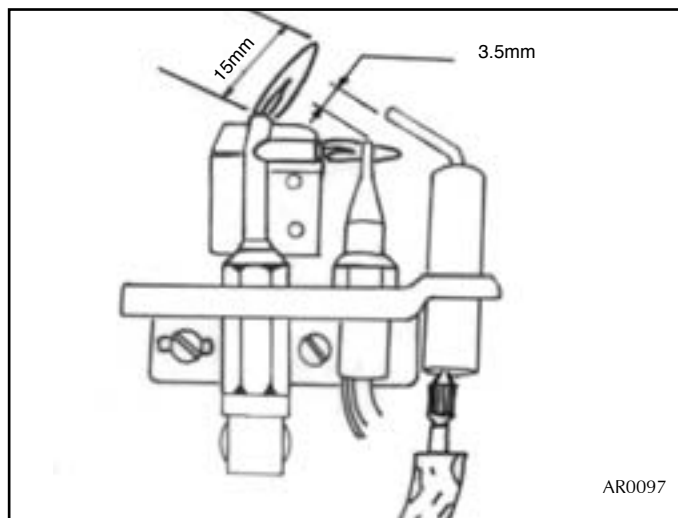
SERVICING / FAULT FINDING CHARTS

1. SERVICING REQUIREMENTS

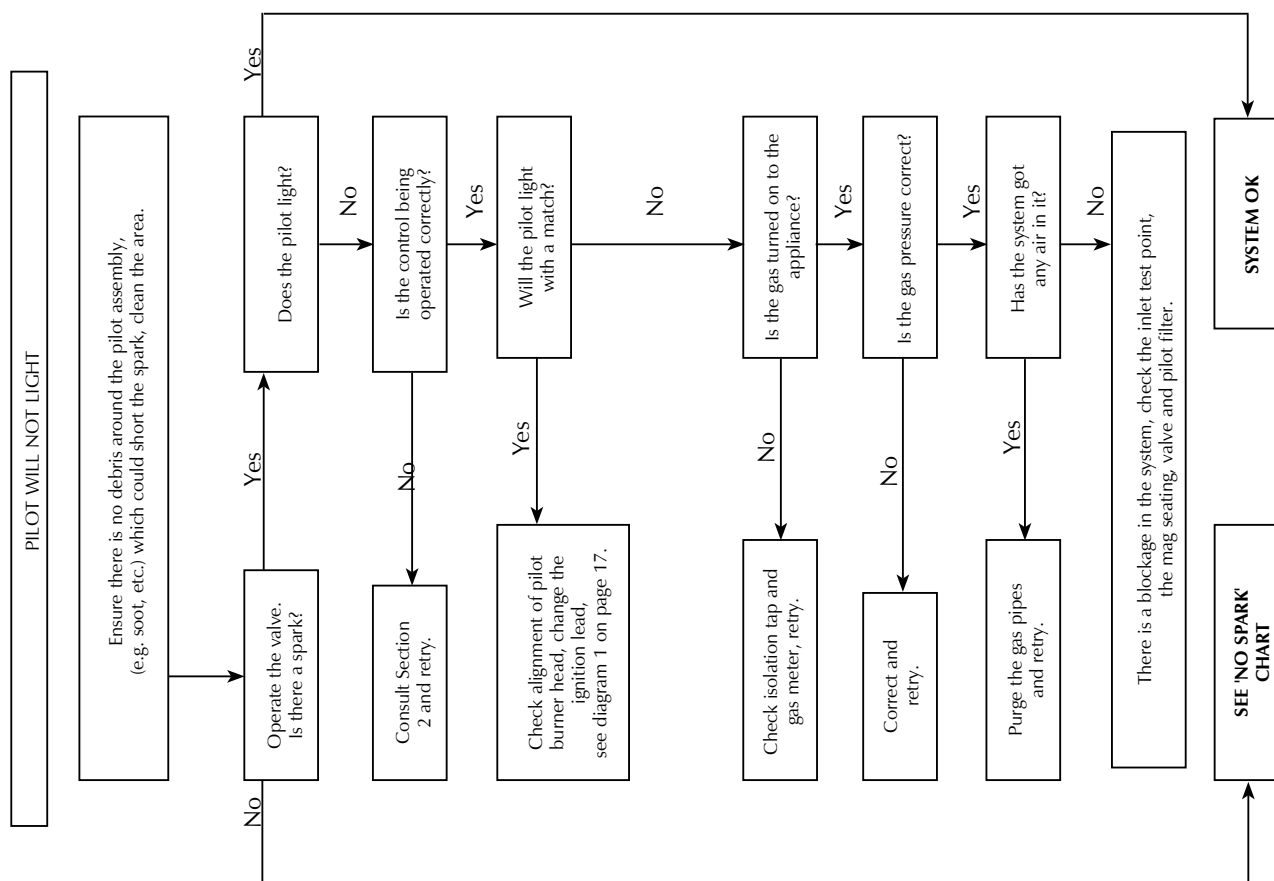
This appliance must be serviced at least once a year by a competent person.

All tests must be serviced by best practice as described by the current CORGI recommendations.

- 1.1 Before any test are undertaken on the appliance, conduct a gas soundness test for the property to ensure that there are no gas leaks prior to starting work.
- 1.2 Before any tests are undertaken on the appliance it is also recommended to fully check the operation of the appliance.
- 1.3 Special checks
 - 1.3.1 Clean any lint or fluff from the pilot - pay particular attention to the aeration hole in the side of the pilot
 - 1.3.2 Clean away any fluff or lint from under the burner
 - 1.3.3 Check that the spark gap on the pilot is correct
- 1.4 Correct any faults found during the initial tests and then re-commission the appliance conducting the usual safety checks.
- 1.5 Advise the customer of any remedial action taken.



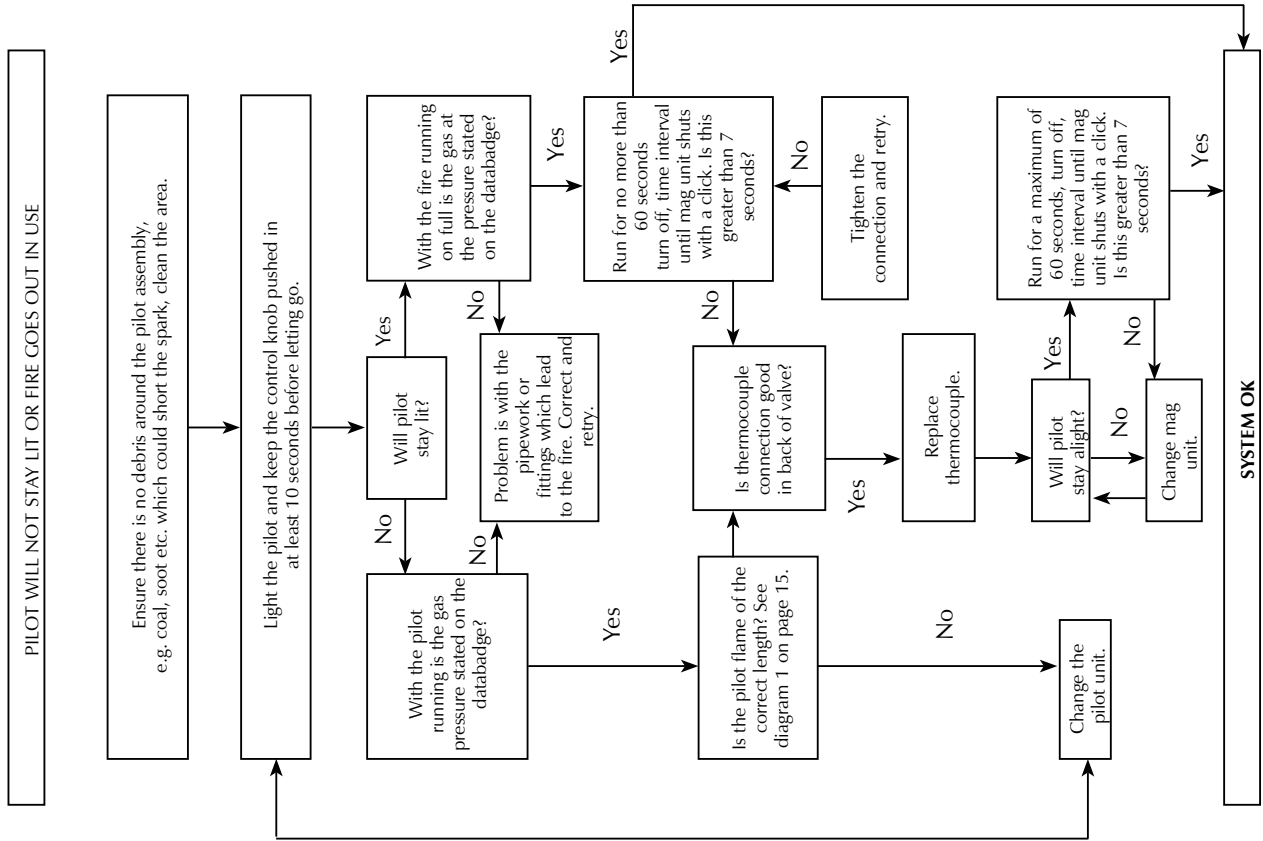
IGNITION FUNCTIONAL CHECK 1



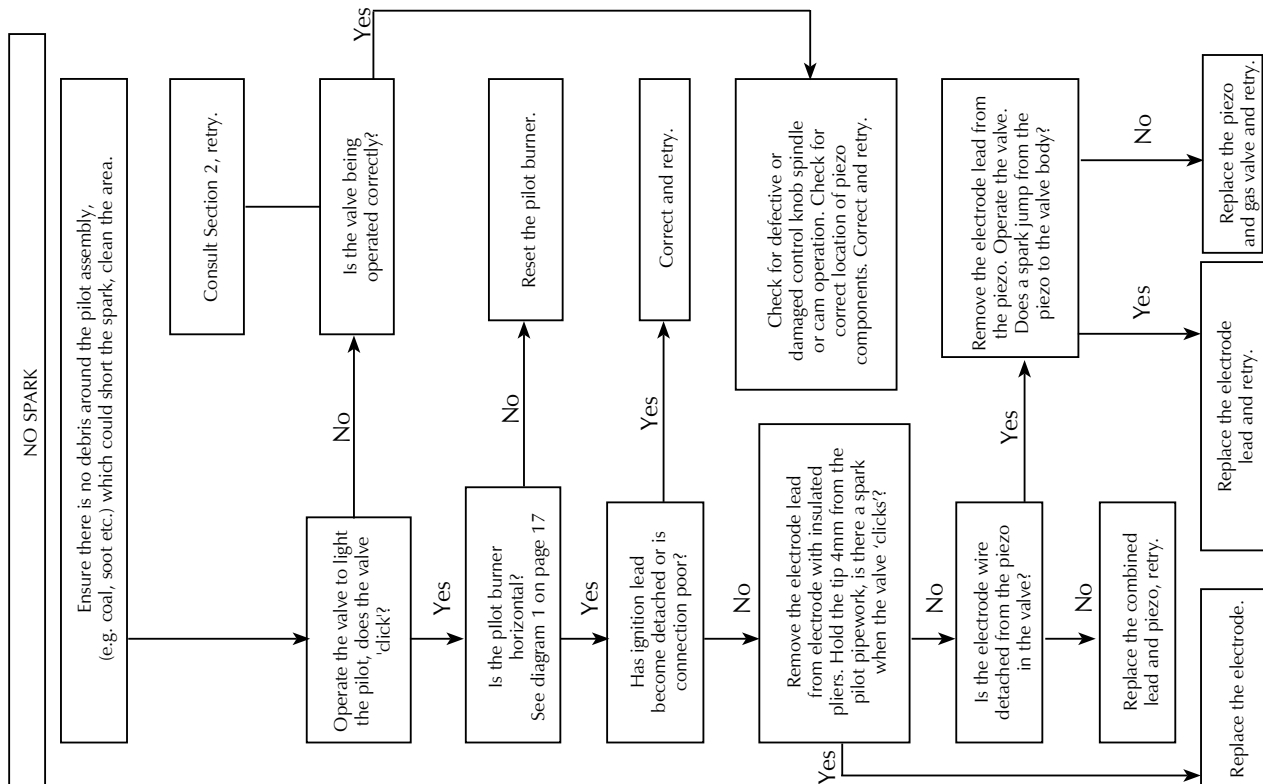
SERVICING INSTRUCTIONS

FAULT FINDING CHARTS

FLAME FAILURE FUNCTIONAL CHECK



IGNITION FUNCTIONAL CHECK 2



SERVICING INSTRUCTIONS

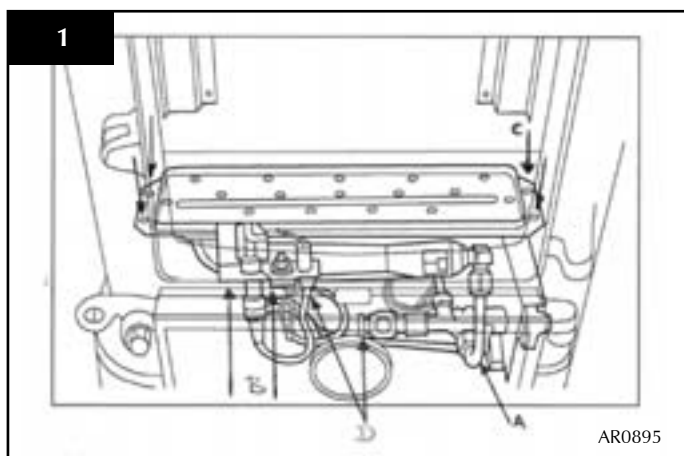
REPLACING PARTS

1. GENERAL

- 1.1 This appliance must be serviced at least once a year by a competent person.
- 1.2 All principal components can be replaced without removing the stove from its installation, although it is essential that the gas supply to the appliance is turned off at the isolation device before proceeding further.

2. PILOT UNIT

- 2.1
 - Turn the gas supply off at the isolation device.To open the doors:
 - Slacken the domed nut on the upper door and loosen the bolt from behind the latch
- 2.2
 - Undo the pilot compression nut
 - Remove the ignition lead from the electrode by gently pulling downwards
 - Undo the thermocouple from the back of the gas valve, Diagram 1,D

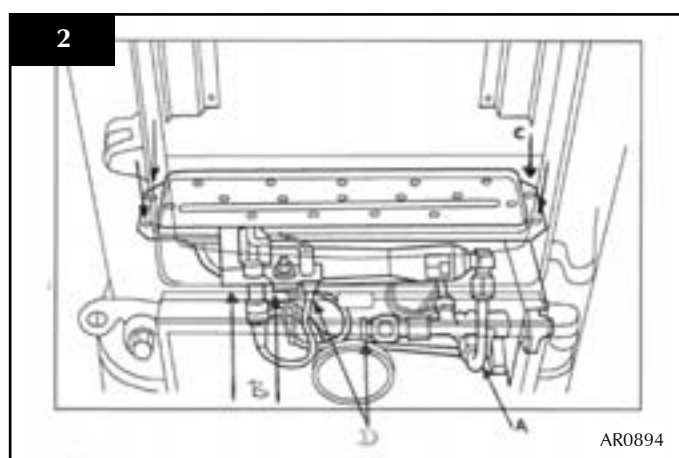


- 2.3
 - Remove the two screws securing the pilot unit
 - Cut the cable tie securing the ignition lead taking care not to damage itThe unit can now be removed from beneath the stove.
- 2.4 When replacing the new pilot unit:
 - Ensure the thermocouple follows the same route as the original one
 - Secure the ignition lead to the pilot pipe with a new cable tie
- 2.5
 - Reconnect the thermocouple, ignition lead and pipe
 - Turn on the gas supply and check for leaks
 - Close the doors and tighten the bolts and locknuts

3. IGNITION LEAD AND PIEZO

Due to the method of manufacture, these components can only be replaced as an integral unit.

- 3.1
 - Turn the gas supply off at the isolation device
 - Pull the control knob off the gas valve spindle to reveal the piezo securing screw access holesUsing a small pozidriv screwdriver:
 - Remove the two screws, Diagram 2



- 3.2
 - Pull the piezo body down and remove from the valve
 - Disconnect the ignition lead from the electrode, Diagram 1,D
- 3.3
 - Replace the assembly with a new unit
 - Refit the screws and connect the ignition lead to the electrode
 - Check the operation of the new piezo
 - Turn the gas supply on and with the pilot running:
 - Check for leaks, especially where the two halves of the valve join
 - Replace the control knob

NOTE: WHILST PERFORMING THE PIEZO REPLACEMENT, YOU WILL BE BREAKING THE SEAL BETWEEN THE TOP AND BOTTOM HALVES OF THE VALVE. ENSURE THAT THIS JOINT IS CORRECTLY SECURED AND LEAK TESTED.

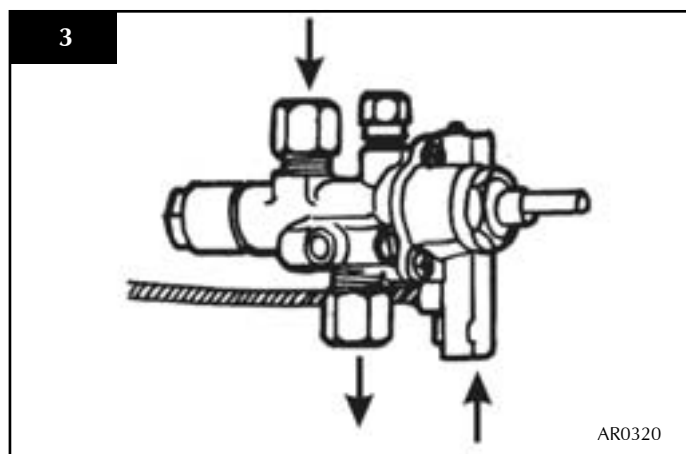
4. GAS FILTER

The gas filter is located just inside the inlet boss of the control valve, to replace the filter, proceed as follows:

- 4.1
 - Turn the gas supply off at the isolation device
 - Undo the inlet compression nut and pull the pipe clear of the valve, Diagram 3

SERVICING INSTRUCTIONS

REPLACING PARTS



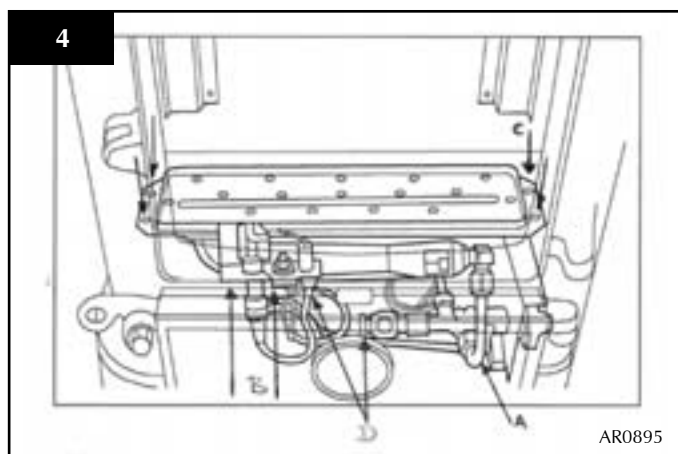
- Prise the small retaining ring out of the inlet and remove the filter
- 4.2 • Replace with a new filter and push into position ensuring that it sits on the shoulder
- Replace the retaining ring and push into position.
- 4.3 • Replace the inlet pipe, turn the gas supply on and check for leaks

5. MAGNETIC SAFETY VALVE

- 5.1 • Turn the gas supply off at the isolation device
- Undo the thermocouple connection from the back of the gas valve
- Pull the sensor leads clear and remove the interrupter block
- 5.2 • Undo the mag valve-retaining nut from the back of the control valve, gently tap out the mag valve and replace with a new unit
- Replace the retaining nut and tighten, Diagram 3
- 5.3 • Reassemble the interrupter block and leads
- Secure in place with the thermocouple
- Turn the gas supply on and check the entire pipework and valve joints for any leaks

6. MAIN INJECTOR

- 6.1 • Turn the gas supply off at the isolation device
- To open the doors:
- Slacken the domed nut on the upper door and loosen the bolt from behind the latch
- The injector is located on the right hand side of the burner.
- Undo the injector nut and gas valve nut
 - Remove the feed pipe, Diagram 4, A

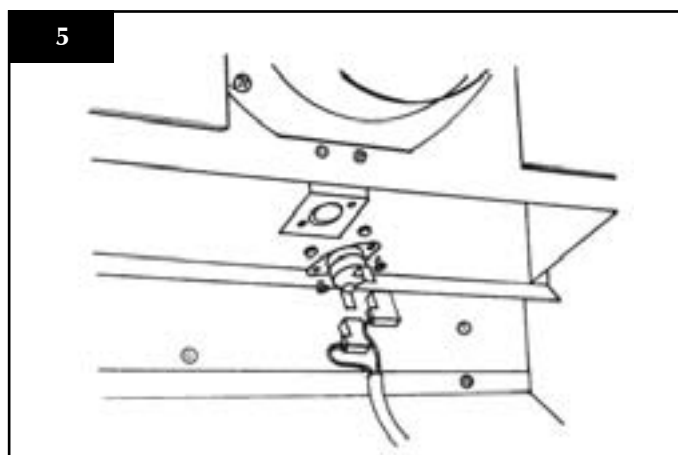


- 6.2 • Rotate the injector until it can be fully removed
- Replace with a new component
- Reassemble the pipe work and check for leaks.
- 6.3 • Close the doors and tighten the bolts and lock nut

7. GAZCO FLUE SURE SYSTEM

If the stove has been installed in a restricted location, it may be necessary to remove the stove from its location.

- 7.1 • Find the sensor in the draught diverter opening and gently pull the two wires off the terminals
- Undo the two taptite screws and remove the sensor and the two plastic spacers, Diagram 5



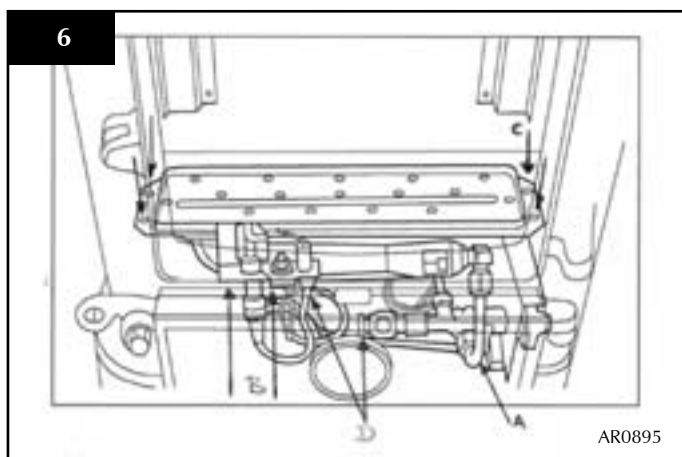
- 7.2 Refit a new sensor ensuring that the spacers are located between the sensor and the bracket, replace the two leads.
- 7.3 If it has been necessary to remove the stove, ensure that all disturbed gas joints are leak tested when reinstalled, and repeat the flue clearance test as detailed in section 21.

SERVICING INSTRUCTIONS

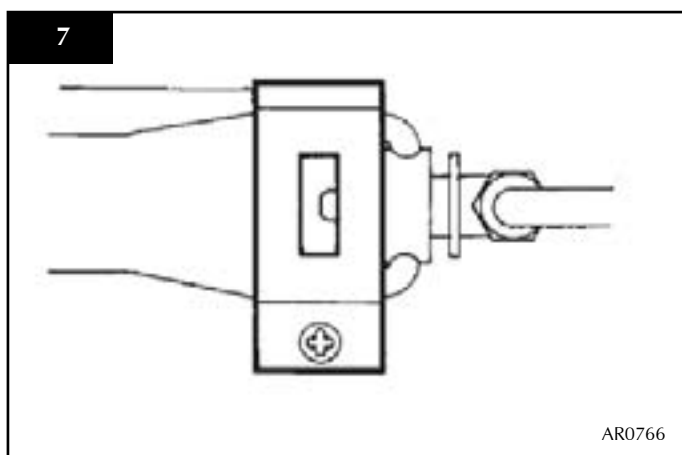
REPLACING PARTS

8. PRIMARY AERATION PLATE

- 8.1 • Turn the gas supply off at the isolation device.
- 8.2 To open the doors:
 - Slacken the domed nut on the upper door and loosen the bolt from behind the latch
- 8.3 • Remove the two screws securing the pilot unit and undo the injector nut, Diagram 6,B



- Remove the four fixing screws and withdraw the burner unit, Diagram 6,C
- 8.4 The aeration plate is located on the rear of the venturi:
 - Remove the fixing screw and replace with the correct plate
 When replacing the plate:
 - Ensure the lower edge is hooked over the flange of the venturi., Diagram 7,



- 8.5 • Replace the burner, ceramic components and check for leaks
- Close the doors and lock the bolts and nuts

9. CHANGING BETWEEN GAS TYPES

In order to change between gas types, it will be necessary to change the following items:

Burner Unit
 Pilot Unit
 Control Valve
 Injector
 Aeration Plate
 Databadge

The relevant parts can be ordered from the parts list, always quote the appliance type and serial number when ordering spare parts.

***NOTE: THE CONTROL VALVE IS FACTORY PRESET FOR CORRECT GAS TYPE AND MODEL, A NEW UNIT WILL NEED TO BE ORDERED WHEN CHANGING BETWEEN GAS TYPES.**

10. SHORT SPAES LIST

APPLIANCE	8050	P8050
	NG	LPG
COMPONENT		
BURNER UNIT	GZ3279	GZ3278
PILOT UNIT	PI0047	PI0048
INJECTOR	IN0001	IN0003
AERATION PLATE	G20 GZ3269(C)	G30 N/A
	G25 GZ3270(D)	G31 GZ2003(A)
GAS VALVE	GC0056*	
FLUE SENSOR	EL0001	
SENSOR LEAD	EL0064	
INTERRUPTOR	GC0026	
MAG UNIT	GC0016	
PIEZO/IGN. UNIT	GC0062	
GAS FILTER	GC0065	
BURNER COVER	CE0358	CE0359
REAR PANEL	CE0357	
FUEL BED	CE0356	
COAL SET	CE0284	
DATA BADGE	PR0397	

SERVICE RECORDS

1ST SERVICE

Date of Service:
Next Service due:
Signed:
Dealer's Stamp/CORGI Registration Number

2ND SERVICE

Date of Service:
Next Service due:
Signed:
Dealer's Stamp/CORGI Registration Number

3RD SERVICE

Date of Service:
Next Service due:
Signed:
Dealer's Stamp/CORGI Registration Number

4TH SERVICE

Date of Service:
Next Service due:
Signed:
Dealer's Stamp/CORGI Registration Number

5TH SERVICE

Date of Service:
Next Service due:
Signed:
Dealer's Stamp/CORGI Registration Number

6TH SERVICE

Date of Service:
Next Service due:
Signed:
Dealer's Stamp/CORGI Registration Number

7TH SERVICE

Date of Service:
Next Service due:
Signed:
Dealer's Stamp/CORGI Registration Number

8TH SERVICE

Date of Service:
Next Service due:
Signed:
Dealer's Stamp/CORGI Registration Number

9TH SERVICE

Date of Service:
Next Service due:
Signed:
Dealer's Stamp/CORGI Registration Number

10TH SERVICE

Date of Service:
Next Service due:
Signed:
Dealer's Stamp/CORGI Registration Number

Gazco Limited, Osprey Road, Sowton Industrial Estate, Exeter, Devon, England EX2 7JG
Tel: (01392) 261999 Fax: (01392) 444148 E-mail: info@gazco.com

A member of the Stovax Group

Free Manuals Download Website

<http://myh66.com>

<http://usermanuals.us>

<http://www.somanuals.com>

<http://www.4manuals.cc>

<http://www.manual-lib.com>

<http://www.404manual.com>

<http://www.luxmanual.com>

<http://aubethermostatmanual.com>

Golf course search by state

<http://golfingnear.com>

Email search by domain

<http://emailbydomain.com>

Auto manuals search

<http://auto.somanuals.com>

TV manuals search

<http://tv.somanuals.com>