



Flash

Operating Instructions
Mode d'emploi
Manual de instrucciones
Bedienungsanleitung

HVL-F20S



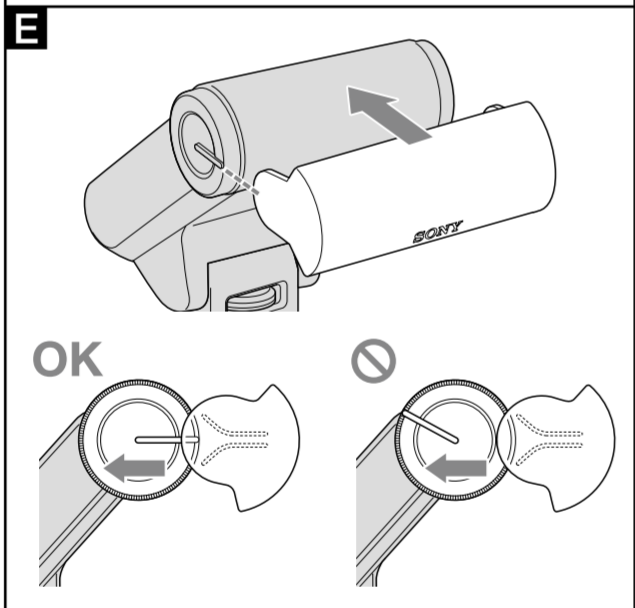
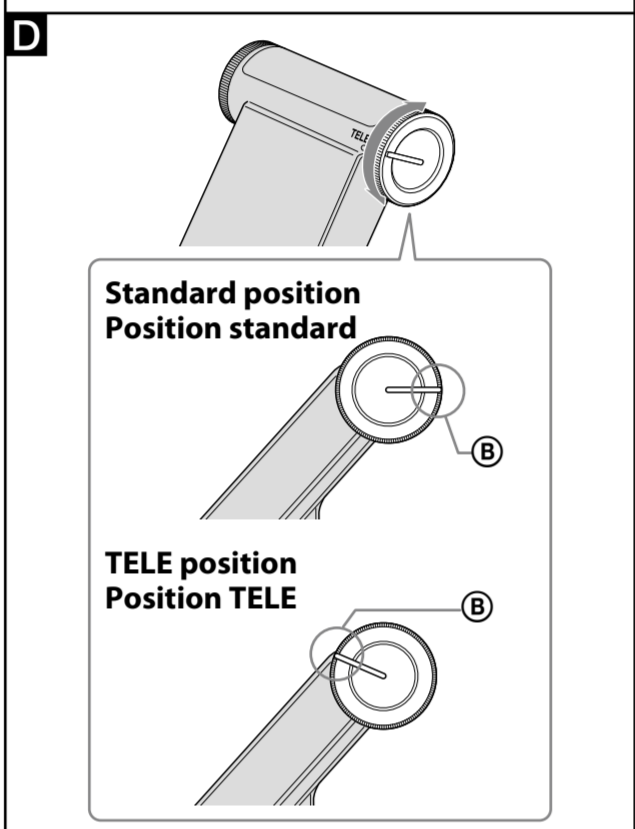
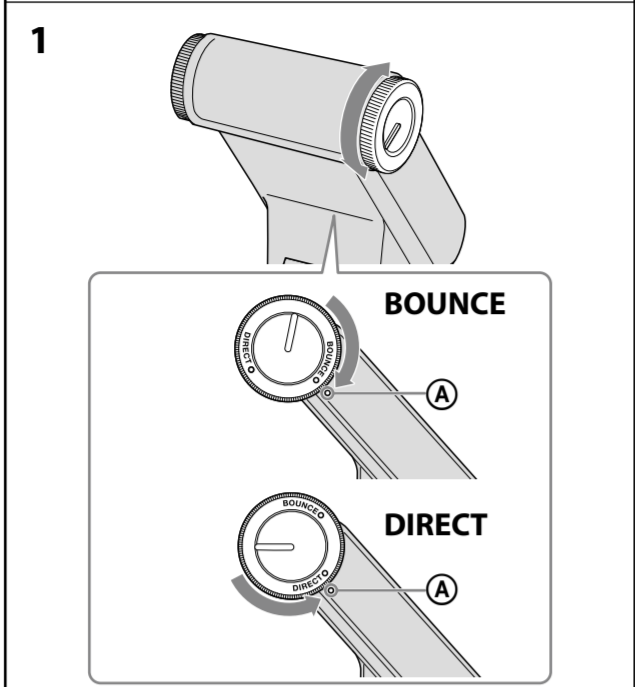
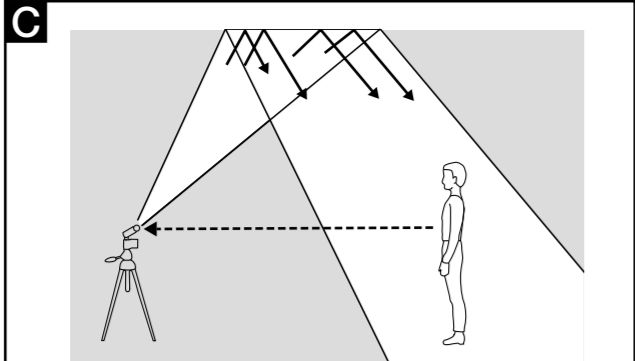
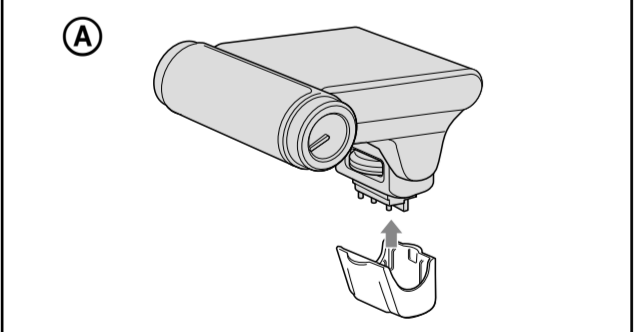
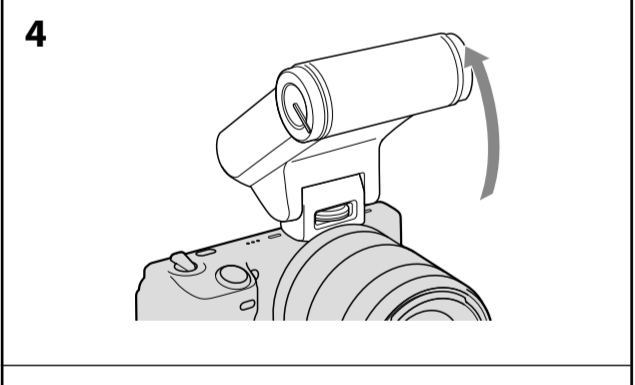
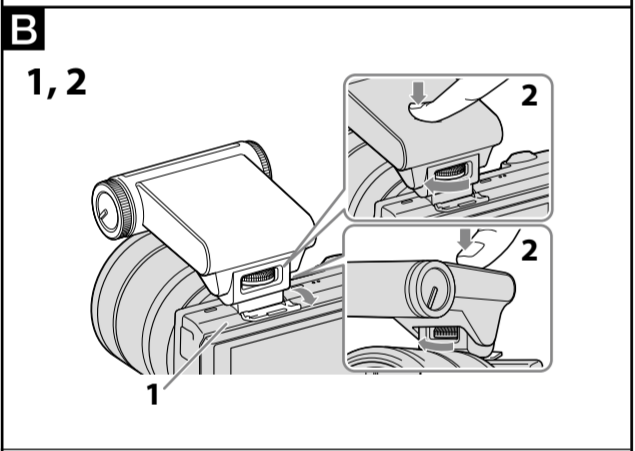
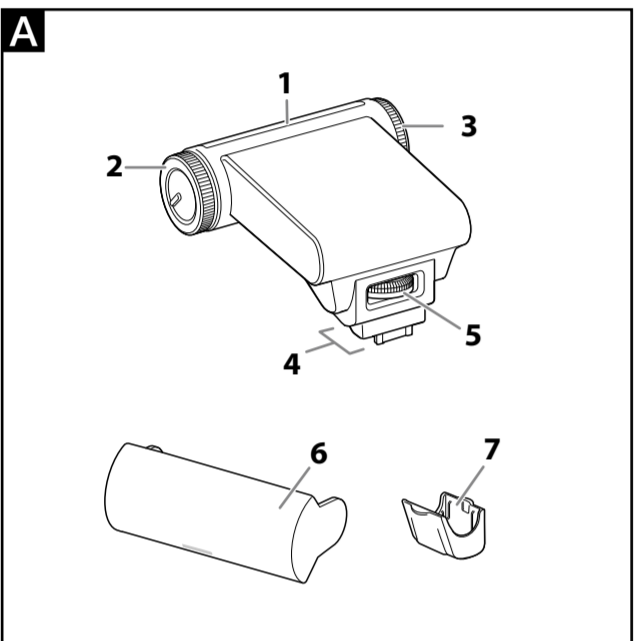
© 2011 Sony Corporation

428703011(1)

Smart Accessory Terminal

http://www.sony.net/

Printed in China



English

Before operating the product, please read this manual thoroughly and retain it for future reference.

WARNING

To reduce fire or shock hazard, do not expose the unit to rain or moisture.

Keep batteries or things that could be swallowed away from young children.
Contact a doctor immediately if an object is swallowed.

Immediately discontinue use if...

- the product is dropped or subjected to an impact in which the interior is exposed.
- the product emits a strange smell, heat, or smoke.

Do not disassemble. Electric shock may occur if a high voltage circuit inside the product is touched.

IMPORTANT SAFETY INSTRUCTIONS

When using your photographic equipment, basic safety precautions should always be followed, including the following:

Read and understand all instructions before using.
Close supervision is necessary when any appliance is used by or near children. Do not leave appliance unattended while in use.

Care must be taken as burns can occur from touching hot parts.

Do not operate appliance with a damaged cord or if the appliance has been dropped or damaged- until it has been examined by a qualified serviceman.

Let appliance cool completely before putting away.
Loop cord loosely around appliance when storing.

To reduce the risk of electric shock, do not immerse this appliance in water or other liquids.

Do not risk the risk of electric shock. Do not disassemble this appliance, but take it to a qualified serviceman when service or repair work is required. Incorrect reassembly can cause electric shock when the appliance is used subsequently.

The use of an accessory attachment not recommended by the manufacturer may cause a risk of fire, electric shock, or injury to persons.

Batteries may become hot or explode due to improper use.

Use only the batteries specified in this instruction manual.

Do not install the batteries with the polarity (+/-) reversed.

Do not subject batteries to fire or high temperatures.

Do not attempt to recharge (except for rechargeable batteries), short or disassemble.

Do not mix, batteries of different types, brands or ages.

SAVE THESE INSTRUCTIONS

CAUTION

Do not touch the flashtube during operation, it may become hot when the flash fires.

For customers in Europe

Disposal of Old Electrical & Electronic Equipment (Applicable in the European Union and other European countries with separate collection systems)

This symbol on the product or its packaging indicates that this product shall not be treated as household waste. Instead it shall be handed over to the applicable collection point for the recycling of electrical and electronic equipment. By ensuring this product is disposed of correctly, you will help prevent potential negative consequences for the environment and human health, which could otherwise be caused by inappropriate waste handling of this product. The recycling of materials will help to conserve natural resources. For more detailed information about recycling of this product, please contact your local Civic Office, your household waste disposal service or the shop where you purchased the product.

Notice for the customers in the countries applying EU Directives

The manufacturer of this product is Sony Corporation, 1-7-1 Konan Minato-ku Tokyo, 108-0075 Japan. The Authorized Representative for EMC and product safety is Sony Deutschland GmbH, Hedelfinger Strasse 61, 70372 Stuttgart, Germany. For any service or guarantee matters please refer to the addresses given in separate service or guarantee documents.

For the customers in the U.S.A.

This device complies with Part 15 of the FCC Rules. Operation is subject to the following two conditions:
(1) This device may not cause harmful interference, and (2) this device must accept any interference received, including interference that may cause undesired operation.

CAUTION

You are cautioned that any changes or modifications not expressly approved in this manual could void your authority to operate this equipment.

NOTE:
This equipment has been tested and found to comply with the limits for a Class B digital device, pursuant to Part 15 of the FCC Rules. These limits are designed to provide reasonable protection against harmful interference in a residential installation. This equipment generates, uses, and can radiate radio frequency energy and, if not installed and used in accordance with the instructions, may cause harmful interference to radio communications.

However, there is no guarantee that interference will not occur at particular installation. If this equipment does cause harmful interference to radio or television reception, which can be determined by turning the equipment off and on, the user is encouraged to try to correct the interference by one or more of the following measures:
— Reorient or relocate the receiving antenna.
— Increase the separation between the equipment and receiver.
— Connect the equipment into an outlet on a circuit different from that to which the receiver is connected.
— Consult the dealer or an experienced radio/TV technician for help.

For the customers in Canada

This Class B digital apparatus complies with Canadian ICES-003.

Before Use

For details, refer to the operating instructions supplied with your camera. **This unit is not dust-proof, splash-proof or waterproof. Do not place this unit in the following locations**

Regardless of whether this unit is in use or in storage, do not place it in any of the following locations. Doing so may lead to a malfunction.

- Placing this unit in locations subject to direct sunlight such as on dashboards or near a heater may cause this unit to deform or malfunction.
- Locations with excessive vibration
- Locations with strong electromagneticism
- Locations with excessive sand

In locations such as the seashore and other sandy areas or where dust clouds occur, protect this unit from sand and dust. This may lead to a malfunction.

Clean the surface of the flash before use. Heat radiated from the flash may cause dirt on the flash surface to smoke or burn. If the flash surface becomes dirty, wipe it with a dry soft cloth.

Features

- This flash unit is designed for use with a camera equipped with a Smart Accessory Terminal. Refer to the instruction manual of your camera to check whether it has a Smart Accessory Terminal.
- This simple, compact external flash is powered by your camera's battery and so does not require a flash battery.
- Unique bounce flash feature lets you change the light direction at the flip of a switch.
- Corrects the white balance automatically using the color temperature information.
- The flash is turned on and off by raising or lowering the flashtube of this unit.
- Red-eye reduction flash capability.
- TELE switch with [TELE position] at which the flash can reach further. You can shoot a subject about 5 m ahead with sufficient lighting (ISO100, F4).

Identifying the Parts

- Flashtube
 - BOUNCE switch (default: [BOUNCE])
 - TELE switch (default: [Standard position])
 - Connector
- Notes**
- Do not touch the connector.
 - Lock screw
 - Wide panel
 - Connector protect cap

Attaching and shooting

- After checking the camera is turned off, attach this unit to the Smart Accessory Terminal of the camera.**

- Hold this unit firmly while fastening the screw to secure it. Fasten the screw to secure this unit.**

If the screw cannot be fastened easily, fasten it from the front side.

- Notes**
- Plug this unit fully into the accessory terminal of the camera, and fasten the screw securely. Make sure this unit is attached securely.

- Turn on the camera.**
- When you want to fire the flash, raise the flashtube of this unit.**
- Set your camera to the desired shooting mode and flash mode.**

Refer to the operating instructions of your camera for details of shooting modes and flash modes.

- When you set your camera to [S (Shutter Priority)] mode or [M (Manual Exposure)] mode, you cannot select a shutter speed faster than the flash sync speed*.
- * The flash sync speed is the maximum shutter speed that you can use with a flash.

- After this unit is completely charged, press the shutter button to shoot an image.**

- Notes**
- The power for the flash is supplied from the camera. When the camera is charging the flash, blinks on the LCD monitor of the camera. You cannot press the shutter button when this icon is blinking. Depending on the conditions of use, the number of shots that can be taken with your camera may also be reduced.
- Charging the flash may take longer than usual when using at low temperatures.
- If the flash is fired successively in a short period of time, charging may take longer than usual in order to prevent it from getting too hot.
- The flash may not fire when the camera's shooting mode is set to [Intelligent Auto].
- When carrying the camera with this unit attached, do not hold by this unit. Always hold the camera body.

To remove from the camera

Turn off the camera and remove this unit in the reverse sequence of attaching.

- Notes**
- After removing this unit from the camera, always fit the supplied connector protect cap onto the connector of this unit. (see illustration .)
- Always remove from the camera before storing in a case, etc.

BOUNCE Switch

If you fire a flash directly at a subject just in front of a wall, harsh shadows appear on the wall (see illustration).

When shooting in a room with a low ceiling, you can soften these shadows by setting the BOUNCE switch to [BOUNCE] so that the flashtube of this unit tilts upward and emits light at the ceiling. Light reflects off the ceiling and illuminates the subject to produce a soft-light effect (see illustration).

When shooting outdoors, set the BOUNCE switch to [DIRECT] before using this unit.

- BOUNCE: the flashtube is set at 75 degrees upward (bounce flash)
 - DIRECT: the flashtube is set at 0 degrees (direct flash)
- Rotate the BOUNCE switch to the desired position (see illustration -1).**

- Notes**
- Rotate the BOUNCE switch firmly until the mark is aligned with the desired position.
- DIRECT: the ceiling or wall that reflects the flash light should be white or very pale. If it is colored, the color may affect the image. The reflecting surface should not be a high ceiling or glass.
- When [BOUNCE] is set, the flash range is reduced. If an image is underexposed (the shot looks dark), get closer to the subject, increase the ISO sensitivity or open the aperture more.

TELE Switch

In outdoor shooting, if a subject is too far from the camera to be reached by the flash from this unit (the subject is out of flash range), set the TELE switch of this unit to [TELE position] (see illustration). The flash from this unit can now reach a further range.

- Notes**
- Set the TELE switch to [Standard position] for regular shooting.
- The flash illuminates a narrower range in TELE position than in Standard position.
- When setting the TELE switch, turn it firmly until the mark is aligned with the desired position.
- If the lens angle is wider than the selected flash angle, the outer areas of the image may become dark. See "Zoom flash range" for the flash range of each position.
- The TELE switch is enabled only when the BOUNCE switch is set to [DIRECT].

Status of this unit depending on switch combinations

		TELE switch	
		Wide panel detached	Wide panel attached*
BOUNCE switch	DIRECT	Standard position Equivalent to 16 mm Guide number: 14 Use for ordinary shooting.	Standard position Equivalent to 12 mm Guide number: 7 Use for ordinary shooting.
	BOUNCE	TELE position Equivalent to 35 mm Guide number: 20 Use at long shooting distances when the flash does not reach.	TELE position Cannot use correctly.

* For use with the Ultra Wide Converter VCL-ECU1

Wide panel

When using a separately purchased Ultra Wide Converter (Equivalent to 12 mm focal length range) with your camera, you can make the light from the flash reach a wider shooting range by attaching the wide panel to the flashtube of this unit. (This wide panel is not compatible with the separately purchased fisheye converter VCL-ECF1.)

Attaching the wide panel

- Set the TELE switch to [Standard position].**
- Align the ridge on the TELE switch with the groove on the inside of the wide panel, and slide the wide panel on.**

- Notes**
- The wide panel is only effective when the BOUNCE switch is set to [DIRECT]. Check before use.
- When attaching the wide panel, make sure it is the right way up.
- Store the wide panel in the inside pocket of the carrying pouch when not in use.

Auto WB Adjustment with Color Temperature Info

White balance is automatically adjusted based on color temperature information sent by this unit when the flash is fired (with a camera equipped with a Smart Accessory Terminal).

- This function works when the BOUNCE switch is set to [DIRECT].

Maintenance

Remove this unit from your camera and wipe it with a dry soft cloth. Lightly blow any sand off this unit. Scrubbing it before blowing sand off may scratch the surface of this unit. To remove stains, wipe them off with a cloth lightly dampened with a mild detergent, and then wipe the unit clean with a dry soft cloth. Never use strong solvents such as thinner or benzine, otherwise the surface finish will be damaged.

If the connector of this unit is dirty, wipe it with a cotton-tipped stick. Do not touch the connector directly with your hand.

Compatibility

For information on interchangeable lens digital cameras compatible with this unit, visit our website:
<http://www.sony.net/>

Notes on Use

- During shooting**
- Do not fire the flash directly in front of someone's eyes. It produces strong light.
- Do not carry your camera by holding this unit when it is attached. Always hold the camera itself.
- When raising or lowering the flashtube of this unit, be careful not to catch your finger in the hinge and injure yourself.
- If you attach an A-mount lens to your camera using a mount adaptor, flash shooting with this unit is not recommended because sometimes close areas may appear dark and the flash light may be blocked by the lens.
- Do not use the flash while your hand or glove, etc is covering the flashtube. Also, do not touch the flashtube for a while after using the flash. Doing so may cause burns, smoking, or malfunction.

Temperature

- The operating temperature range of this unit is between 0 °C and 40 °C.
- Do not expose this unit to extremely high temperatures (e.g. in direct sunlight inside a vehicle) or high humidity.
- A drastic temperature change may cause condensation inside this unit. When bringing this unit from a cold place such as a ski slope to a warm place, first put it in a plastic bag, remove the air from the bag and seal it. After bringing it to the warm place, leave it for a while until it reaches room temperature and then remove it from the bag.
- This unit is not waterproof. When using this unit on a beach, be sure to keep it away from water or sand. Any water, sand, dust, or salt remaining in this unit may cause a malfunction.

Specifications

Zoom flash range

Standard position
Focal length range: Equivalent to 16 mm (Equivalent 35 mm-format focal length range: 24 mm)

TELE position

Focal length range: Equivalent to 35 mm (Equivalent 35 mm-format focal length range: 50 mm)

Wide panel attached

Focal length range: Equivalent to 12 mm (Equivalent 35 mm-format focal length range: 18 mm)

Flash length range

Guide number (ISO100-m)

Standard position: 14
TELE position: 20
Wide panel attached: 7

Standard position

Aperture (F)	ISO100	ISO200	ISO400	ISO800	ISO1600
2.8	1-5	1-7	1-10	1-14	1-20
4	1-3.5	1-5	1-7	1-10	1-14
5.6	1-2.5	1-3.5	1-5	1-7	1-10
8	1-1.5	1-2.5	1-3.5	1-5	1-7

* When the BOUNCE switch is set to [DIRECT] (unit: m)

TELE position

Aperture (F)	ISO100	ISO200	ISO400	ISO800	ISO1600
2.8	1-7	1-10	1-14	1-20	1-28
4	1-5	1-7	1-10	1-14	1-20
5.6	1-3.5	1-5	1-7	1-10	1-14
8	1-2.5	1-3.5	1-5	1-7	1-10

* When the BOUNCE switch is set to [DIRECT] (unit: m)

Wide panel attached

Aperture (F)	ISO100	ISO200	ISO400	ISO800	ISO1600
2.8	1-2.5	1-3.5	1-5	1-7	1-10
4	1-1.5	1-2.5	1-3.5	1-5	1-7
5.6	1	1-1.5	1-2.5	1-3.5	1-5

* When the BOUNCE switch is set to [DIRECT] (unit: m)

Flash interval 0.1 -5 seconds
Flash control Pre-flash light metering
Dimensions 60 mm × 71 mm × 53 mm (w/h/d)
(Approx.) 2 3/8 in. × 2 7/8 in. × 2 1/8 in.
Mass Approx. 63 g (2.3 oz)
Flash (1), Wide panel (1), Connector protect cap (1), Included items Carrying pouch (1), Set of printed documentation

Values of functions given in these operating instructions are based on trials performed by Sony.
Design and specifications are subject to change without notice.

α is a trademark of Sony Corporation.

Smart Accessory Terminal

Français

Avant de faire fonctionner ce produit, lisez attentivement ce mode d'emploi et conservez-le pour toute référence ultérieure.

AVERTISSEMENT

Afin de réduire les risques d'incendie ou de décharge électrique, n'exposez pas cet appareil à la pluie ou à l'humidité.

Ne pas laisser les piles ou de petits accessoires à la portée de jeunes enfants qui pourraient les avaler. En cas d'ingestion accidentelle, contacter immédiatement un médecin.

Cessez immédiatement d'utiliser si...

- L'appareil est tombé ou a reçu un choc à la suite duquel il s'est brisé et laisse apparaître ses composants internes.
- L'appareil chauffe anormalement ou émet une fumée ou une odeur étrange.

Ne pas démonter le flash. Risque d'électrocution lié à la présence de circuits haute tension.

CONSIGNES DE SECURITE IMPORTANTES

Lors de l'utilisation de votre matériel photographique, il convient d'observer des précautions de sécurité de base, à savoir, entre autres :

Prendre connaissance de toutes les instructions à respecter avant toute utilisation.
Lorsqu'un appareil est utilisé par un enfant ou à proximité d'un enfant, une surveillance attentionnée est obligatoire.
Ne pas laisser l'appareil sans surveillance pendant l'utilisation.

Il convient d'être prudent car les parties chaudes peuvent entraîner des brûlures.

Ne pas utiliser l'appareil lorsque le cordon est endommagé ou si l'appareil est tombé ou a été endommagé, tant qu'il n'a pas été examiné par un technicien qualifié.

Laisser l'appareil refroidir complètement avant de le ranger.
Enrouler le cordon autour de l'appareil sans le serrer lors du rangement.

Pour réduire les risques d'électrocution, ne pas immerger cet appareil dans l'eau ou d'autres liquides.

Pour réduire les risques d'électrocution, ne pas démonter cet appareil et confier l'entretien ou les réparations éventuelles à un technicien qualifié. Un montage incorrect peut entraîner une électrocution lors de l'utilisation suivante de l'appareil.

L'utilisation d'un dispositif de fixation pour accessoires non recommandé par le fabricant peut constituer un risque d'incendie, d'électrocution ou de blessure de personnes.

Les piles peuvent chauffer ou exploser suite à une utilisation incorrecte.

Utiliser uniquement les piles indiquées dans ce mode d'emploi.

Ne pas mettre les piles en place avec une polarité inversée (+/-).

Ne pas soumettre les piles au feu ou à de fortes températures.

Ne pas essayer de les recharger (sauf pour les piles rechargeables), ne pas les mettre en court-circuit, ne pas les démonter.

Ne pas mélanger différents types et différentes marques de piles, ni des piles anciennes et nouvelles.

CONSERVER CES CONSIGNES

ATTENTION

Lors de l'émission de l'éclair, le tube à éclairs peut être très chaud. Ne pas le toucher.

Pour les clients en Europe

Traitement des appareils électriques et électroniques en fin de vie (Applicable dans les pays de l'Union Européenne et aux autres pays européens disposant de systèmes de collecte sélective)

Ce symbole, apposé sur le produit ou sur son emballage, indique que ce produit ne doit pas être traité avec les déchets ménagers. Il doit être remis à un point de collecte approprié pour le recyclage des équipements électriques et électroniques. En s'assurant que ce produit est bien mis au rebut de manière appropriée, vous aiderez à prévenir les conséquences négatives potentielles pour l'environnement et la santé humaine. Le recyclage des matériaux aidera à préserver les ressources naturelles. Pour toute information supplémentaire au sujet du recyclage de ce produit, vous pouvez contacter votre municipalité, votre déchetterie ou le magasin où vous avez acheté le produit.

Avis aux consommateurs des pays appliquant les Directives UE

Le fabricant de ce produit est Sony Corporation, 1-7-1 Konan Minato-ku Tokyo, 108-0075 Japon. Le représentant agréé pour la compatibilité électromagnétique et la sécurité du produit est Sony Deutschland GmbH, Hedelfinger Strasse 61, 70372 Stuttgart, Allemagne. Pour toute question relative à la garantie ou aux réparations, reportez-vous à l'adresse que vous trouverez dans les documents ci-joints, relatifs à la garantie et aux réparations.

À l'intention des clients aux E-U.

Cet appareil est conforme à la section 15 des règlements FCC. Son fonctionnement est soumis aux deux conditions suivantes:
(1) cet appareil ne doit pas provoquer d'interférences nuisibles, (2) cet appareil doit accepter toute interférence, y compris celles susceptibles de provoquer son fonctionnement indésirable.

Pour les clients au Canada

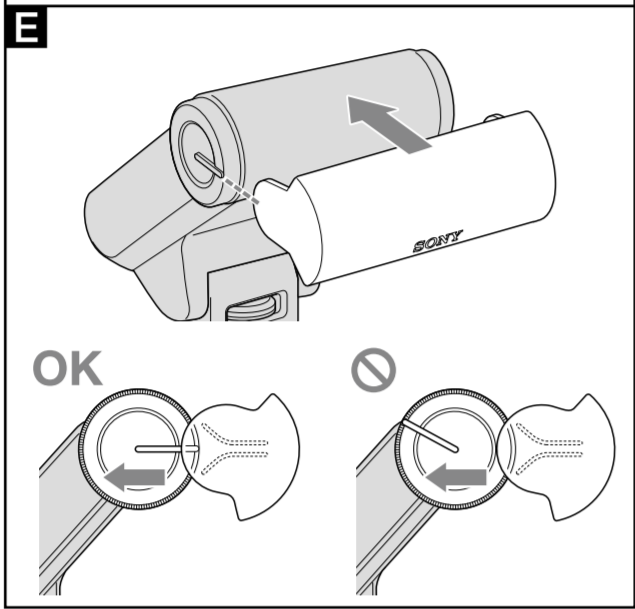
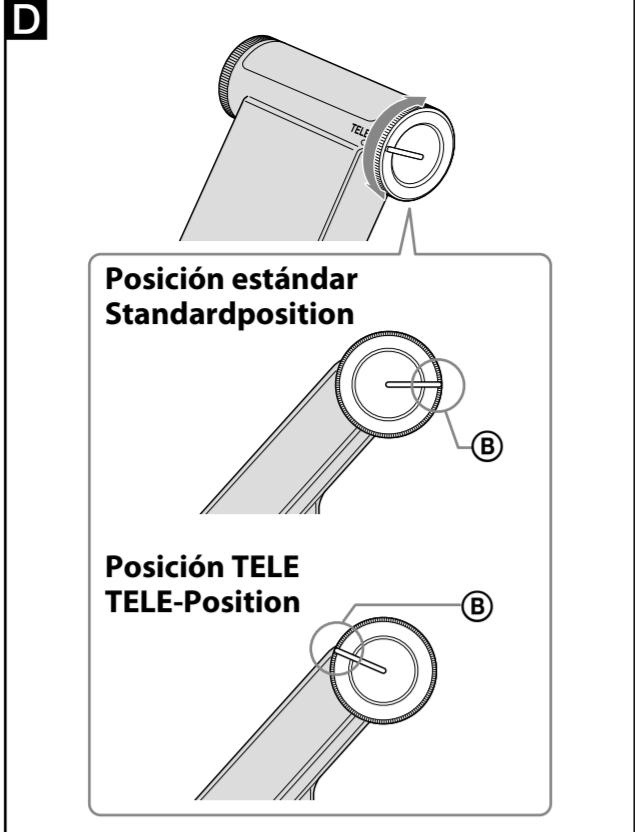
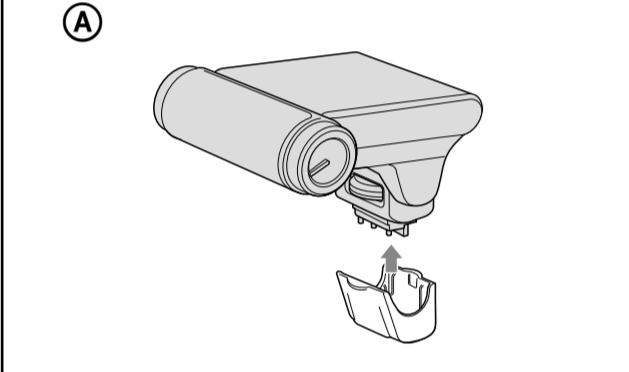
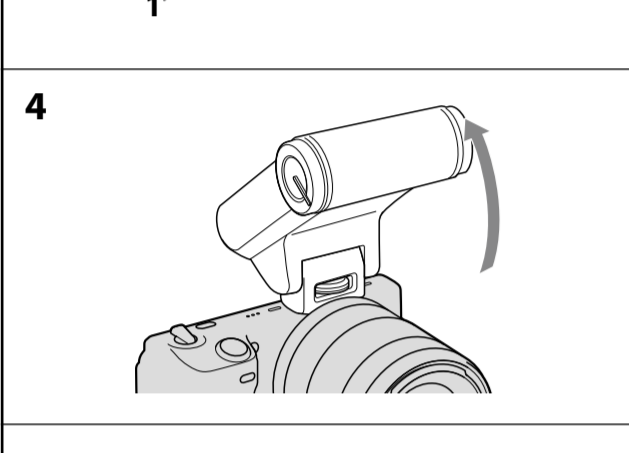
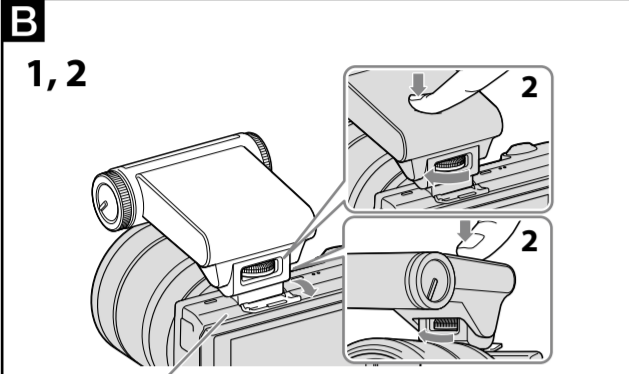
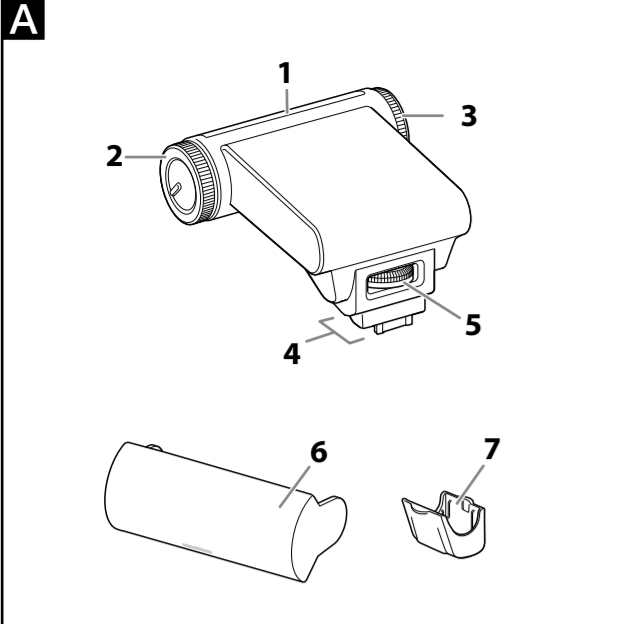
Cet appareil numérique de la classe B est conforme à la norme NMB-003 du Canada.

Informations préliminaires

Pour tous les détails, reportez-vous au mode d'emploi de votre appareil photo.

Cet appareil n'est pas étanche à la poussière, aux éclaboussures d'eau ou à l'eau.

Ne ranger pas cet appareil aux endroits suivants.
Cet appareil ne doit être ni utilisé ni rangé aux endroits suivants. Il risquerait sinon de tomber en panne.
• Endroits exposés à la lumière directe du soleil, par exemple sur le tableau de bord d'une voiture ou près d'un appareil de chauffage, où l'appareil risquerait de se déformer et de ne plus fonctionner.
• Endroits exposés à des vibrations excessives
• Endroits exposés à un électromagnétisme puissant
• Endroits exposés à du sable excessif
Sur la plage ou à des endroits sableux ou exposés à des nuages de poussière, protégez l'appareil du sable et de la poussière. Sinon l'appareil pourrait tomber en panne.
Nettoyez la surface du flash avant d'utiliser le flash



Français
(Suite au recto)
La conception et les spécifications peuvent être modifiées sans préavis.
☒ est une marque commerciale de Sony Corporation.
Connectique pour accessoires
Español
Antes de utilizar el producto, le cuidadosamente este manual y consérvelo para futuras referencias.
ADVERTENCIA
Para reducir el riesgo de incendio o descarga eléctrica, no exponga la cámara a la lluvia ni a la humedad.
Mantenga las pilas y demás objetos que se puedan tragar fuera del alcance de los niños. Póngase en contacto con un médico inmediatamente en caso de que se trague un objeto.
Deje de utilizar inmediatamente si... <ul style="list-style-type: none">si el producto se cae o sufre un impacto tras el que el interior del mismo queda al descubierto. si el producto desprende un olor raro, calor o humo.
No desmonte el producto, ya que podría producirse una descarga eléctrica si se toca un circuito de alto voltaje del interior del producto.

Identificación de partes
1 Tubo de flash
2 Interruptor BOUNCE (predeterminado: [BOUNCE])
3 Interruptor TELE (predeterminado: [Posición estándar])
4 Conector
Notas
• No toque el conector.
5 Tornillo de bloqueo
6 Panel de gran angular
7 Tapa protectora del conector

* Para utilizarse con el convertidor ultra gran angular VCL-ECU1

INSTRUCCIONES IMPORTANTANTES SOBRE SEGURIDAD

Cuando utilice el equipo fotográfico, siempre debe tener en cuenta las siguientes precauciones de seguridad:
Antes de utilizar el producto, le detenidamente este manual.

Si este producto lo utilizan niños o si se utiliza cerca de ellos, debe hacerse siempre bajo supervisión de un adulto.

No deje el producto desatendido durante su utilización. Debe tener cuidado al tocar las partes calientes, ya que podría sufrir quemaduras.

No utilice el producto si aprecia cualquier daño en el cable o si éste se ha caído antes de que lo examine un técnico cualificado.

Deje que el producto se enfríe antes de guardarlo. Al guardarlo, enrolle el cable alrededor del dispositivo sin tensarlo.

Para reducir el riesgo de descarga eléctrica, no sumerja el producto en agua o cualquier otro líquido.

Para reducir el riesgo de descarga eléctrica, no desmonte este producto. Solicite cualquier reparación o servicio de mantenimiento a un técnico cualificado. El montaje incorrecto puede provocar una descarga eléctrica al utilizar el producto posteriormente.

El uso de un accesorio no recomendado por el fabricante puede causar riesgo de incendio, descarga eléctrica o daños personales.

Es posible que las pilas se calienten o exploten debido a un uso incorrecto.

Utilice únicamente las pilas especificadas en este manual de instrucciones.

No instale las pilas con la polaridad (+/-) invertida.

No exponga las pilas al fuego o a altas temperaturas. No intente recargar (excepto las pilas recargables), desmontar ni provocar cortocircuitos en las mismas.

No mezcle pilas de tipos, marcas o antigüedad diferentes.

GUARDE ESTAS INSTRUCCIONES.

PRECAUCIÓN

No toque el tubo del flash durante el funcionamiento, ya que podría calentarse al disiparse el flash.

Para los clientes en Europa

Tratamiento de los equipos eléctricos y electrónicos al final de su vida útil (aplicable en la Unión Europea y en países europeos con sistemas de recogida selectiva de residuos)
Este símbolo en el equipo o el embalaje indica que el presente producto no puede ser tratado como residuos domésticos normales, sino que debe entregarse en el correspondiente punto de recogida de equipos eléctricos y electrónicos. Al asegurarse de que este producto se desecha correctamente, Ud. ayuda a prevenir las consecuencias negativas para el medio ambiente y la salud humana que podrían derivarse de la incorrecta manipulación en el momento de deshacerse de este producto. El reciclaje de materiales ayuda a conservar los recursos naturales. Para recibir información detallada sobre el reciclaje de este producto, póngase en contacto con el ayuntamiento, el punto de recogida más cercano o el establecimiento donde ha adquirido el producto.

Aviso para los clientes de países en los que son aplican las directivas de la UE

El fabricante de este producto es Sony Corporation, 1-7-1 Konan Minato-ku, Tokyo, 108-0075, Japón. El representante autorizado en lo referente al cumplimiento de la directiva EMC y a la seguridad de los productos es Sony Deutschland GmbH, Hedelfinger Strasse 61, 70327 Stuttgart, Alemania. Para resolver cualquier asunto relacionado con el soporte técnico o la garantía, consulte las direcciones que se indican en los documentos de soporte técnico y garantía suministrados por separado.

Antes de la utilización

Con respecto a los detalles, consulte el manual de instrucciones suministrado con su cámara.
Esta unidad no es resistente al polvo, las salpicaduras, ni el agua. No coloque esta unidad en los lugares siguientes.
Independientemente de si va a utilizar o guardar esta unidad, no la coloque en ninguno de los lugares siguientes. Si lo hiciese, podría provocar un mal funcionamiento.

• El colocar esta unidad en lugares sometidos a la luz solar directa como sobre paneles de instrumentos o cerca de un aparato de calefacción podría causar su deformación o mal funcionamiento.

- Lugares con vibración excesiva
- Lugares sometidos a electromagnetismo excesivo
- Lugares con excesiva arena
- En lugares tales como la costa o donde puedan producirse nubes de polvo, proteja la unidad contra la arena y el polvo. Esto podría provocar un mal funcionamiento.
- Limpie la superficie del flash antes de utilizarlo. El calor de emisión del flash puede hacer que la suciedad de la superficie del flash se descolore o se adhiera a la superficie del flash, lo que resultará en insuficiente emisión de luz. Si la superficie del flash se ensucia, límpiela con un paño suave y seco.

Características

- Esta unidad de flash está diseñada para utilizarse con una cámara equipada con un terminal de accesorios inteligente. Consulte el manual de instrucciones de su cámara y compruebe si tiene terminal de accesorios inteligente.
- Este flash externo, sencillo y compacto, se alimenta con la batería de la cámara y no requiere batería de flash.
- La función exclusiva de flash de rebote le permitirá cambiar el sentido de iluminación accionando un interruptor.
- Corrija automáticamente el balance de blancos utilizando la información de temperatura de color.
- El flash se enciende y apaga levantando y bajando el tubo de flash de esta unidad.
- Capacidad de flash con reducción de ojos rojos.
- Interruptor TELE con [Posición TELE] en la que el flash puede alcanzar más. Usted podrá fotografiar un motivo situado a unos 5 m con iluminación suficiente (ISO100, F4).

A Identificación de partes

- | | | | | | |
|--|--|--|--|--|--|
| | | | | | |
| | | | | | |
| | | | | | |
| | | | | | |
| | | | | | |
| | | | | | |
| | | | | | |
| | | | | | |
| | | | | | |
| | | | | | |
| | | | | | |

- Fijación y fotografiado**
- Después de que la cámara esté apagada, fije esta unidad al terminal de accesorios inteligente de la cámara.**
- Sujete firmemente esta unidad mientras apriete el tornillo para asegurarla.**

Si el tornillo no puede apretarse fácilmente, apriételo desde la parte frontal.

- Notas**
- Enchufe esta unidad completamente en el terminal de accesorios de la cámara, y apriete con seguridad el tornillo. Cerciórese de que esta haya quedado fijada con seguridad.

- Encienda la cámara.**
- Cuando desee disparar el flash, levante el tubo de flash de esta unidad.**
 - No toque el tubo de flash.
 - El flash solamente se disparará cuando el tubo de flash esté levantado.
 - Baje el tubo de flash cuando no vaya a utilizar el flash.
- Ponga su unidad en el modo de toma de fotografías y de flash deseado.**

Con respecto a los detalles sobre los modos de toma de fotografías y flash, consulte el manual de instrucciones de su cámara.
• Cuando ajuste su cámara al modo [S (Priorid. tiempo expos.)] o al modo [M (Exposición manual)], no podrá seleccionar una velocidad de obturación más rápida que la velocidad de sincronización del flash*.
* La velocidad de sincronización del flash es la velocidad de obturación máxima que podrá utilizar con un flash.

- Después de haber cargado completamente esta unidad, pulse el disparador para tomar una fotografía.**

- Notas**
- La alimentación para el flash se suministra desde la cámara. Cuando la cámara esté cargando el flash, en el monitor LCD de la cámara parpadeará ⚡. Usted no podrá pulsar el disparador cuando esté parpadearando este icono. Dependiendo de las condiciones de utilización, el número de fotografías que podrá tomar con su cámara también puede reducirse.
 - La carga del flash puede durar más de lo usual cuando se utilice a bajas temperaturas.
 - Si dispara el flash sucesivamente en un corto período de tiempo, la carga puede durar más de lo usual a fin de evitar que se caliente demasiado.
 - Es posible que el flash no se dispare cuando el modo de fotografiado de la cámara esté ajustado a [Auto. inteligente].
 - Cuando transporte la cámara con esta unidad fijada, no la sujete por esta unidad. Sujete siempre el cuerpo de la cámara.

Para extraer de la cámara
Apague la cámara y extraiga esta unidad en secuencia inversa a la de fijación.

- Notas**
- Después de extraer esta unidad de la cámara, fije en primer lugar la tapa protectora del conector en el conector de esta unidad. (Consulte la ilustración ☒ -☑).
 - Extraiga siempre esta unidad de la cámara antes de guardarla en una caja, etc.

☒ Interruptor BOUNCE

☒ Utiliza el flash directamente hacia un motivo situado frente a una pared, pueden aparecer sombras desagradables (consulte la ilustración ☒ -☑). Cuando tome fotografías en una sala con techo bajo, podrá suavizar estas sombras poniendo el interruptor BOUNCE en [BOUNCE] para que el tubo de flash de esta unidad se incline hacia arriba y emita luz hacia el lado. La luz se reflejará en el techo e iluminará el motivo para producir una imagen suavemente iluminada (consulte la ilustración ☒ -☑). Cuando tome fotografías en exteriores, ponga el interruptor BOUNCE en [DIRECT] antes de utilizar esta unidad.

- BOUNCE: el tubo de flash está ajustado a 75 grados hacia arriba (flash de rebote)
- DIRECT: el tubo de flash está ajustado a 0 grados (flash directo)

Gire el interruptor BOUNCE hasta la posición deseada (consulte la ilustración ☒ -1).

- Notas**
- Gire firmemente el interruptor BOUNCE hasta que la marca ☑ quede alineada con la posición deseada.
 - El techo o la pared que refleje la luz del flash deberá ser de color blanco o muy pálido. Si es de otro color, éste puede afectar la imagen. La superficie reflectante no deberá ser un techo alto ni un cristal.
 - Cuando establezca [BOUNCE], el alcance del flash se reducirá. Si una imagen está subexpuesta (aparece oscura), acérquese al motivo, aumente la sensibilidad ISO, o utilice una apertura mayor.

☒ Interruptor TELE

Al tomar fotografías en exteriores, si el motivo está demasiado alejado de la cámara como para que pueda alcanzarlo el flash desde esta unidad (el motivo está fuera del alcance del flash), ponga el interruptor TELE de esta unidad en [Posición TELE] (consulte la ilustración ☒). El flash de esta unidad tendrá ahora mayor alcance.

- Notas**
- Para fotografías normales, ponga el interruptor TELE en [Posición estándar].
 - El flash iluminará una gama más estrecha en la posición TELE que en la posición estándar.
 - Para ajustar el interruptor TELE, gírelo firmemente hasta que la marca ☑ quede alineada con la posición deseada.
 - Si el ángulo del objetivo es más amplio que el ángulo seleccionado del flash, las áreas exteriores de la imagen pueden aparecer oscuras. Con respecto al alcance del flash en cada posición, consulte "Alcance del flash con zoom".
 - El interruptor TELE solamente estará habilitado cuando el interruptor BOUNCE esté en [DIRECT].

Estado de esta unidad dependiendo de las combinaciones del interruptor

* Para utilizarse con el convertidor ultra gran angular VCL-ECU1

E Panel de gran angular

Cuando utilice un convertidor ultra gran angular adquirido aparte (equivalente al alcance de distancia focal de 12 mm) con su cámara, podrá hacer que la luz del flash alcance una gama de fotografiado más amplia fijando el panel de gran angular al tubo de flash de esta unidad. (Este panel de gran angular no es compatible con el convertidor ojo de pez VCL-ECF1 adquirido aparte.)

Fijación del panel de gran angular

- Ponga el interruptor TELE en [Posición estándar].**
- Alinee la cresta del interruptor TELE con la ranura del interior del panel de gran angular, y deslice el panel de gran angular.**

Notas

- El panel de gran angular solamente será efectivo cuando el interruptor BOUNCE esté en [DIRECT]. Compruebe antes de utilizar.
- Cuando fije el panel de gran angular, cerciórese de que esté en la posición correcta.
- Guarde el panel de gran angular en el interior del bolsillo de la bolsa de transporte cuando no vaya a utilizarlo.

Ajuste automático del balance de blancos con información de temperatura de color

El balance de blancos se ajusta automáticamente basándose en la información de temperatura de color enviada por esta unidad (con una cámara equipada con terminal de accesorios inteligente).

- Esta función trabajará cuando el interruptor BOUNCE esté en [DIRECT].

Mantenimiento

- Desmonte esta unidad de su cámara y fríctela con un paño suave y seco. Sople ligeramente la arena que pueda haberse en esta unidad. El restregar antes de soplar la arena podría rayar la superficie de la unidad. Para eliminar las manchas, frótelas con un paño ligeramente humedecido en detergente suave, y después frote la unidad con un paño suave y seco. No utilice nunca disolventes fuertes como diluyente de pintura o bencina, ya que podría dañar el acabado de la superficie.

Si el conector de esta unidad está sucio, frótelo con un paño de cabeza de algodón. No toque el conector directamente con su mano.

Compatibilidad

Con respecto a la información sobre las cámaras digitales de objetivo intercambiable compatibles con esta unidad, visite nuestro sitio Web: <http://www.sony.net/>

Notas sobre la utilización

Durante la toma de fotografías

- No destelle el flash directamente delante de los ojos de nadie. Produce una luz intensa.
- No transporte su cámara sujetándola por esta unidad cuando esté instalada. Sujete siempre la propia cámara.
- Cuando levante o baje el tubo de flash de esta unidad, tenga cuidado de no pillarse los dedos con la bisagra y lesionarse.
- Si fija un objetivo de montura A a su cámara utilizando un adaptador de montura de objetivo, no se recomienda fotografiar con flash con esta unidad porque a veces las áreas cercanas pueden aparecer oscuras y la luz del flash puede verse bloqueada por el objetivo.
- No dispare esta unidad cubriendo el tubo de flash con su mano, un guante, etc. No toque el tubo de flash durante cierto tiempo después de haber disparado el flash.
- Esto podría causar quemaduras, erisipela o, mal funcionamiento.

- Temperatura**
- La gama de temperaturas de funcionamiento de esta unidad está comprendida entre 0 °C y 40 °C.
 - No exponga esta unidad a temperaturas extremadamente altas (p. ej., a la luz solar directa en el interior de un vehículo) ni a gran humedad.
 - Un cambio drástico de la temperatura puede causar la condensación en el interior de esta unidad. Cuando traslade esta unidad de un lugar frío, como una pila de esquí, a otro cálido, cóleloga primero en una bolsa de plástico, saque el aire de la bolsa, y séllela. Después de haberla llevado al lugar cálido, déjala durante cierto tiempo hasta que alcance la temperatura de la sala y séquela de la bolsa.
 - Esta unidad no es resistente al agua. Cuando utilice esta unidad en una playa, cerciórese de mantenerla alejada del agua y de la arena. Los restos de agua, arena, polvo, o sal en esta unidad podrían causar su mal funcionamiento.

Especificaciones

Alcance del flash con zoom

Posición estándar
Alcance de distancia focal: Equivalente al alcance de distancia focal de 16 mm (equivalente a un alcance de distancia focal de formato de 35 mm: 24 mm)

Posición TELE
Alcance de distancia focal: Equivalente al alcance de distancia focal de 35 mm (equivalente a un alcance de distancia focal de formato de 35 mm: 50 mm)

Panel de gran angular fijado
Alcance de distancia focal: Equivalente al alcance de distancia focal de 12 mm (equivalente a un alcance de distancia focal de formato de 35 mm: 18 mm)

Alcance longitudinal del flash

Número de guía (ISO100-m)

Posición estándar: 14

Posición TELE: 20

Panel de gran angular fijado: 7

Posición estándar					
Apertura (F)	ISO100	ISO200	ISO400	ISO800	ISO1600
2,8	1-5	1-7	1-10	1-14	1-20
4	1-3,5	1-5	1-7	1-10	1-14
5,6	1-2,5	1-3,5	1-5	1-7	1-10
8	1-1,5	1-2,5	1-3,5	1-5	1-7

* Cuando el interruptor BOUNCE esté en [DIRECT] (unidad: m)

Posición TELE					
Apertura (F)	ISO100	ISO200	ISO400	ISO800	ISO1600
2,8	1-7	1-10	1-14	1-20	1-28
4	1-5	1-7	1-10	1-14	1-20
5,6	1-3,5	1-5	1-7	1-10	1-14
8	1-2,5	1-3,5	1-5	1-7	1-10

* Cuando el interruptor BOUNCE esté en [DIRECT] (unidad: m)

Panel de gran angular fijado					
Apertura (F)	ISO100	ISO200	ISO400	ISO800	ISO1600
2,8	1-2,5	1-3,5	1-5	1-7	1-10
4	1-1,5	1-2,5	1-3,5	1-5	1-7
5,6	1	1-1,5	1-2,5	1-3,5	1-5

* Cuando el interruptor BOUNCE esté en [DIRECT] (unidad: m)

Intervalo entre destellos	0,1 - 5 segundos
Control del flash	Medición de luz con destello previo
Dimensiones (Aprox.)	60 mm × 71 mm × 53 mm (an/al/prf)
Peso	Aprox. 63 g
Elementos incluidos	Flash (1), Panel de gran angular (1), Tapa protectora del conector (1), Bolsa de transporte (1), Juego de documentación impresa

Los valores de las funciones ofrecidos en este manual de instrucciones se basan en pruebas realizadas por Sony. El diseño y las especificaciones están sujetos a cambio sin previo aviso.

☒ es marca comercial de Sony Corporation.

Terminal de accesorios inteligente
Deutsch
Lesen Sie diese Anleitung vor Inbetriebnahme des Produkts bitte genau durch und bewahren Sie sie zum späteren Nachschlagen sorgfältig auf.
ACHTUNG
Um Feuer- oder Berührungsfahr zu verringern, setzen Sie das Gerät weder Regen noch Feuchtigkeit aus.
Halten Sie Batterien und Kleinteile, die verschluckt werden können, von Kleinkindern fern. Konsultieren Sie umgehend einen Arzt, wenn ein Gegenstand verschluckt wird.
Den Gebrauch sofort beenden, wenn... <ul style="list-style-type: none">das Produkt fallen gelassen oder einem heftigen Stoß ausgesetzt wurde, so dass Innenteile freiliegen. vom Produkt ungewöhnliche Gerüche, Hitze oder Rauch ausgehen.
Zerlegen Sie das Produkt nicht. Wenn Sie einen Hochspannungsschaltkreis im Inneren des Produkts berühren, besteht die Gefahr eines elektrischen Schlags.

WICHTIGE SICHERHEITSHINWEISE

Beachten Sie bei der Verwendung von fotografschen Geräten die folgenden grundlegenden Sicherheitshinweise:

Lesen Sie alle Anweisungen sorgfältig durch, bevor Sie die Geräte in Betrieb nehmen.
Die Verwendung von Geräten durch oder in der Nähe von Kindern darf nur unter strenger Aufsicht erfolgen. Lassen Sie die Geräte nicht unbeaufsichtigt, wenn sie nicht verwendet werden.
Einzelne Teile können sehr heiß werden und bei Berührung besteht Verbrennungsgefahr.
Wenn ein Kabel oder ein Gerät beschädigt ist oder ein Gerät fallen gelassen wurde, lassen Sie es von qualifiziertem Fachpersonal überprüfen, bevor Sie es wieder in Betrieb nehmen.
Lassen Sie die Geräte vollständig abkühlen, bevor Sie sie verstauen. Legen Sie zur Aufbewahrung die Kabel lose um die Geräte.
Um Feuergefahr oder die Gefahr eines elektrischen Schlags zu verringern, tauchen Sie dieses Gerät nicht in Wasser oder andere Flüssigkeiten.

Um Feuergefahr oder die Gefahr eines elektrischen Schlags zu verringern, zerlegen Sie dieses Gerät nicht.

Wenden Sie sich zur Wartung oder Reparatur an qualifiziertes Fachpersonal. Wird das Gerät nach unsachgemäßem Zusammenbau in Betrieb genommen, besteht die Gefahr eines elektrischen Schlags.

Bei Verwendung eines vom Hersteller nicht empfohlenen Zubehörfteils besteht Feuergefahr, die Gefahr eines elektrischen Schlags und Verletzungsgefahr.

Batterien können bei unsachgemäßem Gebrauch heiß werden und explodieren.

Verwenden Sie ausschließlich in dieser Bedienungsanleitung beschriebene Batterien.

Achten Sie beim Einlegen der Batterien auf die richtige Polarität (+/-).

Schützen Sie Batterien vor Feuer und hohen Temperaturen.

Versuchen Sie auf keinen Fall, Einwegbatterien aufzuladen, schließen Sie sie nicht kurz und zerlegen Sie sie nicht.

Verwenden Sie nicht Batterien unterschiedlichen Typs oder verschiedener Marken sowie alte und neue Batterien zusammen.

HEBEN SIE DIESE ANWEISUNGEN GUT AUF!

VORSICHT

Berühren Sie den Blitzkopf nicht während des Betriebs. Er kann sehr heiß werden.

Für Kunden in Europa

Entsorgung von gebrauchten elektrischen und elektronischen Geräten (anzuwenden in den Ländern der Europäischen Union und anderen europäischen Ländern mit einem separaten Sammelsystem für diese Geräte)

Das Symbol auf dem Produkt oder seiner Verpackung weist darauf hin, dass dieses Produkt nicht als normaler Haushaltsabfall zu behandeln ist, sondern an einer Annahmestelle für das Recycling von elektrischen und elektronischen Geräten abgegeben muss. Durch Ihren Beitrag zum korrekten Entsorgen dieses Produkts schützen Sie die Umwelt und die Gesundheit Ihrer Mitmenschen. Umwelt und Gesundheit werden durch falsches Entsorgen gefährdet. Materialrecycling hilft, den Verbrauch von Rohstoffen zu verringern. Weitere Informationen über das Recycling dieses Produkts erhalten Sie von Ihrer Gemeinde, den kommunalen Entsorgungsbetrieben oder dem Geschäft, in dem Sie das Produkt gekauft haben.

Hinweis

Free Manuals Download Website

<http://myh66.com>

<http://usermanuals.us>

<http://www.somanuals.com>

<http://www.4manuals.cc>

<http://www.manual-lib.com>

<http://www.404manual.com>

<http://www.luxmanual.com>

<http://aubethermostatmanual.com>

Golf course search by state

<http://golfingnear.com>

Email search by domain

<http://emailbydomain.com>

Auto manuals search

<http://auto.somanuals.com>

TV manuals search

<http://tv.somanuals.com>