

Riōone™

digital audio player



P
O
R
T
A
B
L
E

Getting Started Guide

Download from www.SoftManuals.com. All Manuals Search And Download.

Rio One Getting Started Guide

Copyright © 2001 SONICblue Incorporated. All Rights Reserved.

SONICblue Incorporated does not assume any responsibility for errors or omissions in this document or make any commitment to update the information contained herein. Rio is a registered trademark of RioPort, Inc. in the USA and/or other countries and is used under license.

The RealPlayer and the RealJukebox are included under license from RealNetworks, Inc. Copyright 1999. RealNetworks, Inc. Patents pending. All rights reserved.

This product is iTunes ready. iTunes is provided by Apple Computer, Inc. Copyright © 2001 Apple Computer, Inc. All rights reserved. iTunes is a trademark of Apple Computer, Inc.

Microsoft, Windows Media, and the Windows Logo are trademarks or registered trademarks of Microsoft Corporation in the United States and/or other countries.

All other product names may be trademarks of the companies with which they are associated.

First Edition, May 2001.

Part Number 52260056-001



Contents

INTRODUCTION	5
SETTING UP YOUR RIO ONE.....	7
Step 1: Unpack package contents	7
Step 2: Install the battery	12
Step 3: Install the software	13
Step 4: Using the software.....	15
Step 5: Plug in the USB cable	16
Step 6: Register your Rio One	17
Step 7: Check out the User Guide	17
SAFETY AND PRODUCT CARE.....	19
SYSTEM REQUIREMENTS	22
CUSTOMER CARE	23

Introduction

Congratulations on your purchase of the Rio One portable digital audio player! Rio is the perfect companion for active people—delivering skip-free music for people on the go. Your Rio connects easily to a PC or Mac for downloading compressed digital audio tracks. Use the included software to convert tracks from your audio CDs or to download tracks from the Internet for playback on your new Rio One.

It only takes four steps to start playing your digital audio tracks on your Rio One:

- 1 Install the battery.
- 2 Install the Rio software from the software CD.
- 3 Connect your Rio to the USB port on your computer.
- 4 Use the Rio software to download digital audio tracks into your Rio's flash memory.

Take a few minutes to review the information in the following pages. The Getting Started Guide shows you the basics of how to set up and start using your Rio One. Do you want to learn more?

- Check out the User Guide on the Rio One software CD for more information on using your Rio, an introduction to the Rio software, frequently asked questions, warranty information, and more.
- Click on the RealJukebox or iTunes software Help menus for detailed instructions on using the software to download digital audio tracks, convert tracks from CD-ROM or transfer tracks to your Rio One.
- Visit the Rio Web site at: **www.riohome.com**

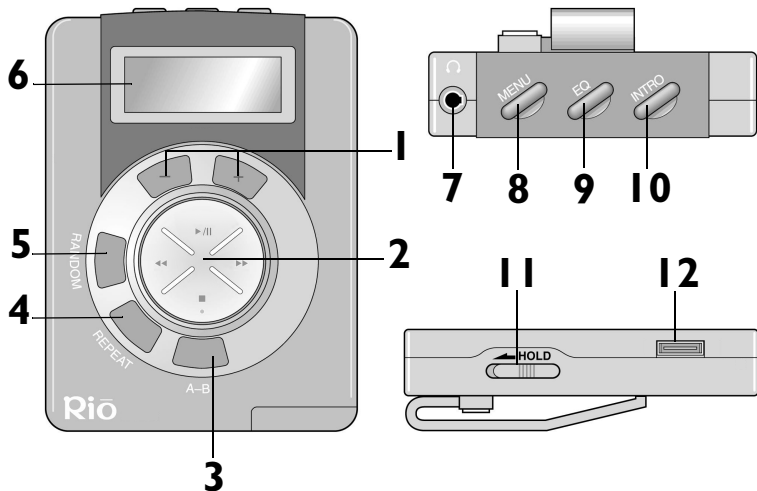
Setting up your Rio One

Step 1: Unpack package contents

Your Rio One package includes the following items:

- Rio One portable digital audio player.
- One 1.5 volt AA size alkaline battery.
- Universal Serial Bus (USB) cable.
- Headphones.
- Getting Started Guide.
- Rio One software CD.
- iTunes software CD (for Mac users).
- Other printed materials.

Rio One buttons and controls



- 1 + and - (Volume):** Press **+** to increase the volume; press **-** to decrease the volume. Volume level ranges from 0-20.
- 2 Playback control button includes (clockwise from top) **Play/Pause/Power On** ▶/||, **Forward** ▶▶, **Stop/Power Off** ■, and **Reverse** ◀◀.**

 - ▶/||: Press once to turn on the Rio and begin Play; press again to pause the current track.
 - ▶▶: Press and hold to move forward within the current track; press and release to skip to next track.
 - : Press once to stop playback; press again to turn the Rio off.
 - ◀◀: Press and hold to move backward within the current track; press and release to skip to the start of the current track.

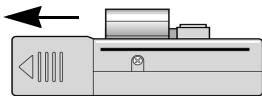
Note: To preserve battery life, the Rio turns itself off after a few minutes of no activity.

- 3 **A-B:** Marks a selection for repeated playback. Press once to start (A-B symbol displays with “B” blinking); press again to complete the selection (“B” stops blinking); press again to cancel.
- 4 **Repeat:** Press once to repeat the current track; press again to repeat all tracks; press again to cancel.
- 5 **Random:** Press to mix the play order of all tracks. Press again to cancel.
- 6 **LCD:** Liquid crystal display. See the Rio One User Guide on the software CD for details.
- 7 **Headphone connector:** Plug your headphones into this port.
- 8 **Menu:** In **Stop** mode, press **Menu** to monitor internal and external memory flash memory and firmware version. Press **▶▶** to display total internal memory (Ti), total external memory (Te), and then firmware version number. Press **Menu** again to hide the display.

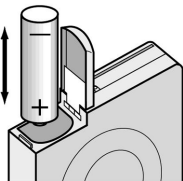
- 9 EQ:** Press to change equalization (EQ) settings. There are four EQ settings to choose from:
- Normal.
 - Classic.
 - Jazz.
 - Rock.
- 10 Intro:** Press to play the first 10 seconds of each track.
- 11 Hold:** Slide to temporarily lock the buttons on your Rio. This is a useful feature during activities when the Rio buttons can be bumped, for example, while exercising.
- 12 USB connector:** Plug the USB cable into this connector.
- Note: Do not connect your Rio to the computer before you install the software. This can disrupt the normal installation process.**

Step 2: Install the battery

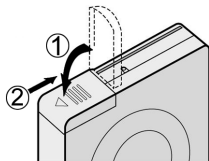
- 1 Hold the Rio carefully in your hand, and use your thumb to slide open the battery compartment lid.



- 2 Insert the 1.5v AA alkaline battery into the battery compartment.



- 3 Close the battery compartment lid.



Step 3: Install the software

PC

- 1 Place the Rio One software CD in your computer's CD-ROM drive. After a few seconds, the installation menu displays.

Note: If the installation menu does not display automatically, skip to the next page for instructions.

- 2 Follow the instructions on the computer screen.
- 3 Reboot your computer when the installation is complete or when you are prompted to do so.



If the installation menu does not display automatically, follow these steps to begin the installation manually:

- 1 Click the **Start** button in bottom left corner of the computer screen and choose **Run...**
- 2 Type d:\setup32.exe in the field labeled **Open**. If your computer's CD-ROM drive uses a letter other than "d", substitute that letter for "d".
- 3 Click the **OK** button and follow the on-screen instructions.

Mac

- 1 Place the iTunes software CD in your computer's CD-ROM drive.
- 2 The CD contents display automatically. To manually display the CD contents, double-click the icon on your computer's desktop.
- 3 Install the iTunes software.
- 4 Reboot your computer when the installation is complete or you are prompted to do so.

Step 4: Using the software

See the User Guide on the Rio One software CD for an introduction to the Rio software. For detailed instructions, refer to the PC and Mac software online help manuals. To use the online help:

PC

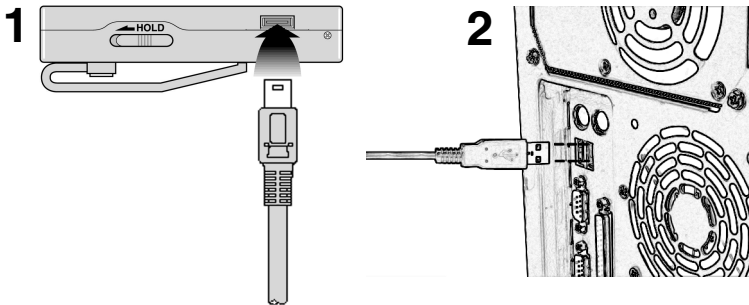
Click the **Help** menu at the top of the RealJukebox software window. While using RealJukebox, you can also:

- 1 Click the **Home** button.
- 2 Scroll down to **RealJukebox Help** and click
 - **Using RealJukebox** or
 - **Frequently Asked Questions.**

Mac

- 1 Click the **Help** menu.
- 2 Choose **iTunes Help.**

Step 5: Plug in the USB cable



- 1 Plug one end of the USB cable into the USB port on your Rio.
- 2 Plug the other end of the USB cable into the USB port on your computer. On the Mac, the USB port is typically located on the keyboard.

Tip: The Rio One USB connection only fits one way. Do not try to force the connection.

Step 6: Register your Rio One

To register the Rio, click the **Register** button on the installation menu. The serial number (S/N) is located on the back of the Rio player.

You can complete software registration during installation or at a later date. For online software registration, your Rio must be connected to the computer with the USB cable and turned on.

Step 7: Check out the User Guide

Do you want to learn more about your Rio One? Click the **User Guide** button on the installation menu. The Rio One User Guide contains:

- More information on using your Rio, including information on using 3.3 volt external flash memory cards, and in-depth information about the Rio One display.
- An introduction to the Rio software.
- A glossary of digital audio terms.
- Frequently asked questions (FAQ) and troubleshooting information.

- Warranty and regulatory information.
- Customer care information.

Tip: Use Adobe Acrobat Reader version 4.0—available on the Rio One software CD—to view the User Guide. The User Guide is in the Manual folder on the software CD.

Safety and product care

Warning

- **Risk of electric shock—Do not disassemble.** To avoid potential electric shock, do not disassemble or modify your Rio. No user-serviceable parts are inside. Refer servicing to qualified personnel.
- To reduce the chance of shock or injury, do not use or operate your Rio in or near water or wet locations. Do not spill liquid on your Rio.
- Do not use in places exposed to strong magnetic or electrostatic fields (close to TV or speakers). Do not use in places where the humidity is excessively low.

Caution

- Batteries may explode or leak if disposed of in fire, inserted backwards or disassembled. See the Rio One User Guide FAQ section for a list of approved Rio One replacement alkaline batteries.

- Use of headphones while operating a vehicle is not recommended and is illegal in some areas. Be careful and attentive while driving, biking or walking near traffic. Stop listening to your Rio if you find it disruptive or distracting while operating any type of vehicle.
- Listening to music at full power over extended periods of time can damage your hearing. If you experience ringing in your ears, discontinue use.

Care of your Rio

- Exposure to extreme hot or cold temperatures may cause damage to your Rio or cause it to malfunction. Do not expose your Rio to direct sunlight continuously or leave it in a vehicle with the doors and windows closed. The case may become deformed, discolored or malfunction. Do not use your Rio near open flame.
- If moving from a cold environment to a warm environment, let the Rio's temperature stabilize before operation.
- Keep dirt, sand, dust and moisture from entering your Rio. Do not use in areas of excessive dust. Do not use in places where the humidity is excessively high.
- Do not drop or subject your Rio to shock.

- If radio or TV interference occurs near such devices move your Rio away from them.
- Do not clean your Rio with solvents, chemicals or abrasive cleaners. If necessary, use a soft cloth to clean your Rio.

System requirements

PC

- Microsoft Windows 98, Windows 98 Second Edition, Windows 2000 or Windows Me.
- Pentium I66 or higher with 32 MB RAM.
- USB port.
- CD-ROM drive (for encoding from CD).
- 35 MB of available hard drive space.
- Internet connection.

Mac

- Mac OS 9.0.4 or later.
- 32 MB RAM.
- Built-in USB port.
- CD-ROM drive (for encoding from CD).
- 35 MB of available hard drive space.
- Internet connection.

Customer care

TECHNICAL SUPPORT

Hours of Operation

Monday-Friday 5am-7pm PT

Saturday 8am-4pm PT

Email

customersupport@riohome.com

Telephone

New product support

(541) 967-2450

TDD

(541) 967-2451

Fax

(541) 967-2401

Web site

www.riohome.com

CUSTOMER SERVICE

Hours of Operation

Monday-Friday 6am-5pm PT

Email

customersupport@riohome.com

Telephone

1-800-468-5846 or

(541) 967-2450

Fax

(541) 967-2485

Rio One Getting Started Guide
52260056-001

Free Manuals Download Website

<http://myh66.com>

<http://usermanuals.us>

<http://www.somanuals.com>

<http://www.4manuals.cc>

<http://www.manual-lib.com>

<http://www.404manual.com>

<http://www.luxmanual.com>

<http://aubethermostatmanual.com>

Golf course search by state

<http://golfingnear.com>

Email search by domain

<http://emailbydomain.com>

Auto manuals search

<http://auto.somanuals.com>

TV manuals search

<http://tv.somanuals.com>