

SINGER

111W155

Form 3039w
(351)

Printed in U. S. A.

HISTORICAL COPY

DO NOT REMOVE

LIST OF PARTS



SINGER**

MACHINE No. IIIwI55

THE SINGER MANUFACTURING COMPANY

**A Trade Mark of THE SINGER MANUFACTURING COMPANY

Download from www.manuals.com. All Manuals Search And Download.

INSTRUCTIONS FOR OILING

To ensure easy running and prevent unnecessary wear of the parts which are in movable contact, the machine requires oiling and when in continuous use, "TYPE B" or "TYPE D" OIL, sold by Singer Sewing Machine Company, should be applied at least twice each day to all oil holes marked "OIL", as instructed in Form 2663w.

"TYPE D" OIL should be used when an oil is desired which will produce a minimum of stain on fabrics, even after a long period of storage.

To insure satisfactory results, "TYPE E" Thread Lubricant, sold by Singer Sewing Machine Company, should be used in the thread lubricator which is attached to the top of the machine.

Copyright, U. S. A., 1938, 1940, 1946, 1950 and 1951
by The Singer Manufacturing Company
All Rights Reserved for all Countries

INDEX

| | PAGE |
|-------------------------|---------|
| ACCESSORIES | 13 |
| BOBBIN WINDERS | 13 & 15 |
| FEED DOGS | 15 |
| FOOT LIFTER | 16 |
| KNEE LIFTER | 14 |
| MACHINE No. 111w155 | 5 |
| MISCELLANEOUS PARTS | 18 |
| NUMERICAL LIST OF PARTS | 19 |
| PRESSER FEET | 16 |
| THREAD LUBRICATOR | 14 |
| THREAD UNWINDER | 17 |
| THROAT PLATES | 17 |

INSTRUCTIONS FOR ORDERING

In ordering from this list, use ONLY the PART number in the FIRST column.

The number stamped on a Sewing Machine Part is the number of the Single Part only, except when the part includes Set Screws, Clamping Screws, Studs and Rollers Spun on, Small Wires riveted, or Parts soldered together, etc., which it is necessary to furnish in combination.

Every combination of parts sent out has its specific number which, although not stamped on Parts (except in above case), must be used when ordering the combination.

Each number always indicates the SAME PART in whatever list it appears, or for whatever Machine.

The letters after some of the numbers indicate the style of finish only, as follows:

- A Hardened, Polished, Nickel Plated and Buffed.
- AL Heat Treated for Toughness.
- B Polished, Nickel Plated and Buffed.
- C Hardened only.
- D Polished only.
- E Soft, Not polished.
- F Hardened and Polished.
- H Blued.
- J Nickel Plated only.
- R Merlized.
- X Black Oxide, for Iron and Steel.
- XC Hardened and Black Oxide, for Iron and Steel.
- Y Black Nickel Plated only.
- Z Chromium Plated.

These letters MUST BE USED when they appear in the list and AFTER the number, as in the list.

In this series

1 to 1500, 200001 to 201500 and 350001 to 351500 are Screw Numbers.
1501 to 1800, 201501 to 201800 and 351501 to 351800 are Nut Numbers.
1801 to 2000, 201801 to 202000 and 351801 to 352000 are Roller Numbers.
2001 to 50000 and 202001 to 350000 are Numbers of Machine Parts.

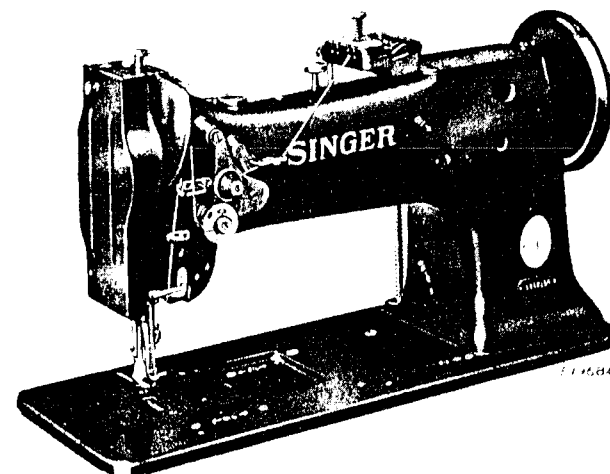
The figures in the second column refer only to the plate in which the illustration of the part is shown and are NOT TO BE USED in ordering.

Two or more numbers over a cut indicate that the difference between such parts is not visible in an illustration.

Parts marked with an asterisk (*) are furnished only when repairs are made at the factory.

LIST OF PARTS COMPLETE

FOR



MACHINE No. IIIw155

HIGH SPEED. KNEE LIFTER.

COMPOUND FEED. ALTERNATING PRESSERS.

POSITIVE STITCH REGULATION

SAFETY CLUTCH

FOR AUTOMOBILE WORK, TENTS, AWNINGS,

FURNITURE UPHOLSTERING, LEATHER COATS, ETC.

| No. | Plate | Name |
|---------|-------|---|
| *240247 | ----- | Arm with 202135 |
| 224002 | 16686 | " Cap |
| 200278H | 16686 | " " Screw |
| 202248 | 16686 | " " Washer |
| 204235 | 16695 | " Position Pin (2) |
| 200004E | 16695 | " Screw (3) |
| 202005 | 16695 | " " Washer (3) |
| 240553 | 16686 | " Shaft with 224392 and 350431E |
| 249440 | 16686 | " " Ball Bearing |
| *240054 | 16686 | " " " " Collar with two 200378C |
| 240055 | 16686 | Arm Shaft Ball Bearing Collar 240054 with 249440 |
| 200378C | 16686 | Arm Shaft Ball Bearing Collar Set Screw |
| *240056 | 16686 | " " " " Retaining Washer |
| *240053 | 16686 | " " Bushing (back) |

| No. | Plate | Name |
|---------|-------|--|
| 200335C | 16686 | Arm Shaft Bushing (back) Set Screw |
| 240057 | 16686 | Arm Shaft Bushing (back) (ball bearing) complete, Nos. 240053, 240055 and 240056 |
| 263096 | 16686 | Arm Shaft Bushing (front) with 223817 |
| 223847 | 16686 | " " " " Oil Packing (wick) |
| 200502H | 16686 | " " " " " " Thumb Screw |
| 204329 | 16686 | Arm Shaft Bushing (front) Oil Pad |
| 200338C | 16686 | " " " " Set Screw |
| 224195 | 16604 | " " Connection Belt |
| 224104 | 16604 | " " " " Pulley with 200327C, 200602C and two 202253 |
| 200602C | 16604 | Arm Shaft Connection Belt Pulley Position Screw |
| 200327C | 16604 | Arm Shaft Connection Belt Pulley Set Screw |
| 202253 | 16604 | " " " " " Spring Flange |
| 224139 | 16689 | Arm Shaft Connection Belt Timing Plate |
| 200164B | 16689 | " " " " " " Screw (2) |
| 224392 | 16686 | Arm Shaft Oil Packing (wick) |
| 350431E | 16686 | " " " " Stop Screw |
| 240452 | 16686 | Balance Wheel (disc) "V" belt groove (outside diam. of belt groove 3.268 in.) with 201346C and 350107C |
| 350419H | 16686 | Balance Wheel Adjusting Screw |
| 350107C | 16686 | " " Position Screw |
| 201346C | 16686 | " " Set Screw |
| *240511 | ----- | Bed |
| 255168 | 16689 | " Oil Cup (4) |
| 240003 | 16695 | " Slide (back) |
| 223811 | 16695 | " " " Stop |
| 223812 | 16695 | " " " Spring |
| 240004 | 16695 | " " (front) |
| 203470 | 16687 | Bobbin |
| *233764 | ----- | " Case |
| 203648 | 16687 | " " Latch |
| *202056 | ----- | " " Pin |
| 203473 | 16687 | " " Plunger |
| 203474 | 16687 | " " Spring |
| 241674 | 16687 | " " Oiling Felt |
| 241675 | 16687 | " " Retainer |
| 350405C | 16687 | " " " " Screw |
| 224004 | 16688 | " " Opener |
| 224005 | 16688 | " " Lever with 201349C, 201542C and 203101 |
| 201349C | 16688 | Bobbin Case Opener Lever Driving Screw Stud |
| 201542C | 16688 | Bobbin Case Opener Lever Driving Screw Stud Nut |
| 203101 | 16688 | Bobbin Case Opener Lever Driving Screw Stud Oil Packing (wick) |
| 265088 | 16688 | Bobbin Case Opener Lever Hinge Stud with 202277 |
| 202277 | 16688 | Bobbin Case Opener Lever Hinge Stud Oil Packing (wick) |

| No. | Plate | Name |
|----------|-------|---|
| 200364C | 16688 | Bobbin Case Opener Lever Hinge Stud Set Screw |
| 223623 | 16688 | Bobbin Case Opener Lever Link |
| 200118D | 16688 | " " " Screw |
| 203214 | 16687 | " " Tension Spring |
| 200984C | 16687 | " " " " Regulating Screw |
| 200594C | 16687 | " " " " Screw |
| 203216 | 16687 | " " Washer (cloth) |
| 233765 | 16687 | Bobbin Case complete, Nos. 200594C, 200984C, 202056, 203214, 203216, 203473, 203474, 203648, 233764, 241674, 241675 and two 350405C |
| 240104 | 16695 | Face Plate |
| 202135 | 16695 | " " Position Pin |
| 200473H | 16695 | " " Thumb Screw |
| 240223 | 16690 | Feed Bar |
| 240224 | 16690 | " " 240223 with 224052, 225837 and 350197E |
| 350393C | 16690 | Feed Bar Hinge Screw (driving) |
| 201518E | 16690 | " " " " Nut |
| 264510 | 16690 | " Dog, 40 elongated needle hole, for needle sizes 23 and 24, for 240144 |
| 200106E | 16690 | Feed Dog Screw (2) |
| 240225 | 16689 | " Driving Connection with 240226 and 240227 |
| 201181C | 16689 | Feed Driving Connection Hinge Screw |
| 201518E | 16689 | " " " " Nut |
| 240226 | 16689 | " " " Oiling Felt |
| 240227 | 16689 | " " " " " |
| | | Retaining Wire |
| 240228 | 16690 | Feed Driving Crank with 200019E |
| 200019E | 16690 | " " " Pinch Screw |
| 240554 | 16689 | " " Eccentric |
| 240555 | 16689 | " " " Adjusting Disc |
| 248415 | 16689 | " " " " Spring |
| 248416 | 16689 | " " " " " " |
| | | Collar with two 200382C |
| 200382C | 16689 | Feed Driving Eccentric Adjusting Disc Spring Collar Set Screw |
| 240231 | 16689 | Feed Driving Eccentric Friction Gib |
| 200369C | 16689 | " " " " " Adjusting Screw |
| 350101AL | 16689 | Feed Driving Eccentric Friction Gib Adjusting Screw Set Screw |
| 240232 | 16689 | Feed Driving Flange with 200333C, 200346C, two each 200369C and 350101AL |
| 200333C | 16689 | Feed Driving Flange Position Screw |
| 200346C | 16689 | " " " Set Screw |
| 223650 | 16690 | " " Rock Shaft |
| 240233 | 16690 | " " " " 223650 with 201518E, 240224 and 350393C |
| 248420 | 16690 | Feed Driving Rock Shaft Bushing (left) (split) |
| 200347C | 16690 | " " " " " Pinch Screw |
| 201007C | 16690 | Feed Driving Rock Shaft Bushing (left) Pinch Screw Set Screw |

| No. | Plate | Name |
|---------|-------|--|
| 244084 | 16690 | Feed Driving Rock Shaft Bushing (left) Pinch Screw Set Screw Packing (fibre) |
| 248421 | 16690 | Feed Driving Rock Shaft Bushing (right) (split) |
| 200327C | 16690 | Feed Driving Rock Shaft Bushing (right) Pinch Screw |
| 200347C | 16690 | Feed Driving Rock Shaft Bushing (right) Pinch Screw Set Screw |
| 244084 | 16690 | Feed Driving Rock Shaft Bushing (right) Pinch Screw Set Screw Packing (fibre) |
| 224141 | 16690 | Feed Driving Rock Shaft Crank with 200019E |
| 200019E | 16690 | " " " " Pinch Screw |
| 202625 | 16690 | " " " " Stop Collar with two 200383C (2) |
| 200383C | 16690 | Feed Driving Rock Shaft Stop Collar Set Screw |
| 248449 | 16604 | Feed Indicating Disc with 200958C |
| 200958C | 16604 | " " " " Set Screw |
| 224154 | 16689 | " Lifting Cam with 201220C |
| 224052 | 16690 | " " " " Fork with 200173D and 223655 |
| 350197E | 16690 | Feed Lifting Cam Fork Screw |
| 225837 | 16690 | " " " " Washer |
| 223655 | 16690 | " " " " Oiling Felt |
| 200173D | 16690 | " " " " Screw |
| 201220C | 16689 | " " " " Set Screw |
| 240235 | 16689 | " Regulating Stud |
| 240245 | 16689 | " " " " Retaining Spring |
| 248425 | 16689 | " " " " Spring |
| *240556 | ----- | Hook (sewing) |
| 240557 | 16687 | " 240556 with 203525, 240559, two each 201253F and 201409F |
| 240558 | 16687 | Hook and Bobbin Case complete, Nos. 233765 and 240557 |
| 224019 | 16688 | Hook Bushing (lower) (bronze) |
| 200364C | 16688 | " " " " Set Screw |
| 224020 | 16688 | " " (upper) (bronze) |
| 200446C | 16688 | " " " " Position Screw |
| 223867 | 16689 | " Driving Gear (spiral) with 200362C and 201222C |
| 201222C | 16689 | Hook Driving Gear Position Screw |
| 200362C | 16689 | " " " " Set Screw |
| 240167 | 16688 | " " Pinion (spiral) with 200382C and 201220C |
| 201220C | 16688 | Hook Driving Pinion Position Screw |
| 200382C | 16688 | " " " " Set Screw |
| 224022 | 16688 | " " " " Thrust Washer |
| 240241 | 16689 | " " Shaft |
| 249440 | 16689 | " " " " Ball Bearing |
| *240060 | 16689 | " " " " " Collar with 200378C and 201220C |
| 240061 | 16689 | Hook Driving Shaft Ball Bearing Collar 240060 with 249440 |
| 201220C | 16689 | Hook Driving Shaft Ball Bearing Collar Position Screw |
| 200378C | 16689 | Hook Driving Shaft Ball Bearing Collar Set Screw |

| No. | Plate | Name |
|---------|-------|--|
| *240056 | 16689 | Hook Driving Shaft Ball Bearing Retaining Washer |
| *240058 | 16689 | Hook Driving Shaft Bushing (back) |
| 240063 | 16689 | Hook Driving Shaft Bushing (back) (ball bearing) complete, Nos. 240056, 240058 and 240061 |
| 237529 | 16689 | Hook Driving Shaft Bushing (front) |
| 200327C | 16689 | " " " " Set Screw (2) |
| 265314 | 16689 | " " " " Lock Ratchet with 200354C and 200362C |
| 200354C | 16689 | Hook Driving Shaft Lock Ratchet Position Screw |
| 200362C | 16689 | Hook Driving Shaft Lock Ratchet Set Screw |
| 240244 | 16689 | " " " " Stud |
| 240245 | 16689 | " " " " " Retaining Spring |
| 248425 | 16689 | Hook Driving Shaft Lock Stud Spring |
| 203525 | 16687 | " " " " Gib |
| 201253F | 16687 | " " " " Screw |
| 240559 | 16687 | " Needle Guard |
| 201409F | 16687 | " " " " Screw |
| 223850 | 16688 | " Saddle with 200009E |
| 224024 | 16688 | " " 223850 with 200364C, 200446C, 224019 and 224020 |
| 240243 | 16689 | Hook Saddle Bearing |
| 200335C | 16689 | " " " " Set Screw |
| 200009E | 16688 | " " " " Pinch Screw |
| 200006E | 16688 | " " " " Screw |
| 225585 | 16688 | " " " " Washer |
| 240560 | 16688 | Hook Saddle complete, Nos. 200118D, 200364C, 223623, 224004, 224005, 224022, 224024, 240167, 240558 and 265088 |
| 237837 | 16695 | Knee Lifter Connection Lever |
| 200262H | 16695 | " " " " " Hinge Screw |
| 223684 | 16695 | " " " " " Lifting Rod with 202302 |
| 202302 | 16695 | Knee Lifter Connection Lever Lifting Rod Cotter Pin |
| 206628 | 16695 | Knee Lifter Connection Lever Lifting Rod Spring |
| 227227 | 16695 | Knee Lifter Connection Lever Lifting Rod Spring Collar with 200113F |
| 200113F | 16695 | Knee Lifter Connection Lever Lifting Rod Spring Collar Set Screw |
| 240516 | 16695 | Knee Lifter Lifting Lever |
| 200262H | 16695 | " " " " " Hinge Screw |
| 240205 | 16693 | Lifting Bell Crank |
| 200996C | 16693 | " " " " Cap Screw |
| 240125 | 16691 | " " " " Link |
| 350172C | 16691 | " " " " " Screw Stud |
| 201524E | 16691 | " " " " " " Nut |
| *237195 | 16691 | " Eccentric |
| *237749 | 16691 | " " " " Body |
| 350107C | 16691 | " " " " Position Screw |
| 443C | 16691 | " " " " Set Screw |
| 240126 | 16691 | " " " " Connection |

| No. | Plate | Name |
|---------|-------|--|
| 240171 | 16691 | Lifting Eccentric Connection Crank with 200029E and 248821 |
| 248821 | 16691 | Lifting Eccentric Connection Crank Oil Packing (wick) |
| 200029E | 16691 | Lifting Eccentric Connection Crank Pinch Screw |
| 1103C | 16691 | Lifting Eccentric Regulating Screw |
| 217D | 16691 | " " Set Screw |
| 7071 | 16691 | " " " " Washer |
| 237196 | 16691 | Lifting Eccentric complete, Nos. 217D, 443C, 1103C, 7071, 237195, 237749 and 350107C |
| 240517 | 16693 | Lifting Presser Foot, for cording and general upholstery |
| 200074F | 16693 | Lifting Presser Foot Screw |
| 240136 | 16691 | " Rock Shaft with 201524E and 350172C |
| 240174 | 16691 | " " Bushing (2) |
| 240498 | 16692 | Needle Bar with 200175D, 201350F and 240499 |
| 238251 | 16692 | Needle Bar Connecting Link |
| 264718 | 16692 | " " " " Oil Guard |
| 200161D | 16692 | " " " " " Screw |
| 202333 | 16692 | " " " " Stud with 202254 |
| 202254 | 16692 | " " " " Oil Packing (wick) |
| 200374C | 16692 | Needle Bar Connecting Link Stud Set Screw |
| 200383C | 16692 | " " " " " " Screw |
| 208552 | 16692 | " " " " Stud with 200086C and 202330 |
| 202330 | 16692 | Needle Bar Connecting Stud Oil Packing (wick) |
| 200086C | 16692 | Needle Bar Connecting Stud Pinch Screw |
| 202692 | 16692 | " " Crank with 200335C, 200374C, 200383C, 200428C and 202333 |
| 240178 | 16692 | Needle Bar Crank 202692 with 202399, 202400, 208552, 238251 and 241518 |
| 203172 | 16692 | Needle Bar Crank Friction Washer |
| 200428C | 16692 | " " " Position Screw |
| 200335C | 16692 | " " " Set Screw |
| 240248 | 16692 | " " Rock Frame |
| 248437 | 16692 | " " " " Hinge Stud |
| 200347C | 16692 | " " " " " " Set Screw |
| 202666 | 16692 | " " " " Position Bracket |
| 200098F | 16692 | " " " " " " Screw |
| 223690 | 16691 | Needle Bar Rock Frame Rock Shaft |
| 223691 | 16691 | " " " " " " 223690 with 200387C and 210920 |
| 223692 | 16691 | Needle Bar Rock Frame Rock Shaft Crank with 200029E |
| 223693 | 16604 | Needle Bar Rock Frame Rock Shaft Crank Connection with 202277 |
| 201407C | 16604 | Needle Bar Rock Frame Rock Shaft Crank Connection Hinge Screw (lower) |
| 206758 | 16604 | Needle Bar Rock Frame Rock Shaft Crank Connection Hinge Screw (lower) Oil Packing (wick) |
| 201517E | 16604 | Needle Bar Rock Frame Rock Shaft Crank Connection Hinge Screw (lower) Nut |

| No. | Plate | Name |
|---------|-------|---|
| 200833C | 16604 | Needle Bar Rock Frame Rock Shaft Crank Connection Hinge Screw (upper) |
| 201522E | 16604 | Needle Bar Rock Frame Rock Shaft Crank Connection Hinge Screw (upper) Nut |
| 202277 | 16604 | Needle Bar Rock Frame Rock Shaft Crank Connection Oil Packing (wick) |
| 200029E | 16691 | Needle Bar Rock Frame Rock Shaft Crank Pinch Screw |
| 202668 | 16691 | Needle Bar Rock Frame Slide Block |
| 210920 | 16691 | " " " " " " 202668 with 201141C |
| 201141C | 16691 | Needle Bar Rock Frame Slide Block Stud |
| 200387C | 16691 | " " " " " " " " Set Screw |
| 240499 | 16692 | Needle Bar Thread Guide |
| 200175D | 16692 | " " " " " Screw |
| 201350F | 16692 | " Set Screw |
| 208566 | 16693 | Presser Bar with 200074F |
| 241352 | 16693 | " " Bushing (lower) |
| 207072 | 16693 | " " " (upper) |
| 200352C | 16693 | " " " Set Screw (2) |
| 202671 | 16693 | " " Lifter |
| 200653C | 16693 | " " " Hinge Screw |
| 264526 | 16693 | " " Lifting Bracket with 200054E |
| 200975F | 16693 | " " " " Guide Screw |
| 200054E | 16693 | " " " " Pinch Screw |
| 202337 | 16693 | " " Position Guide |
| 202338 | 16693 | " " " " Lever with 200086F |
| 200086F | 16693 | Presser Bar Position Guide Lever Pinch Screw |
| 200352C | 16693 | Presser Bar Position Guide Set Screw |
| 237836 | 16695 | " " Spring (flat) |
| 210949 | 16693 | " " " Bracket with 200086C |
| 200086C | 16693 | " " " " Pinch Screw |
| 201410F | 16695 | " " " Regulating Screw |
| 200948F | 16695 | " " " Support Screw |
| 265032 | 16689 | Safety Clutch Hook Driving Shaft Position Collar with two 201254C |
| 201254C | 16689 | Safety Clutch Hook Driving Shaft Position Collar Set Screw |
| 240519 | 16689 | Safety Clutch Locking Lever |
| 240520 | 16689 | " " " " Connecting Link |
| 240536 | 16689 | " " " " Hinge Stud |
| 200364C | 16689 | " " " " " " Set Screw |
| 265102 | 16689 | Safety Clutch Locking Lever Spring |
| 240537 | 16689 | " " " " " Hinge Stud |
| 200364C | 16689 | " " " " " " " " Set Screw |
| 240538 | 16689 | Safety Clutch Pulley with 202253 and two 200364C |
| 202253 | 16689 | Safety Clutch Pulley Spring Flange |
| 265057 | 16689 | " " Throw-in Latch |
| 240522 | 16689 | " " " " Pin |
| 265051 | 16689 | " " " " Spring |

| No. | Plate | Name |
|----------|-------|---|
| 240539 | 16689 | Safety Clutch complete, Nos. 240519, 240520, 240522, 240536 to 240538, 265032, 265051, 265057 and 265102 |
| 241518 | 16692 | Take-up Lever |
| 202399 | 16692 | " " Driving Stud with 202277 |
| 202277 | 16692 | " " " " Oil Packing (wick) |
| 202400 | 16692 | " " Hinge Stud with 20423 |
| 202423 | 16692 | " " " " Oil Packing (wick) |
| 200363AL | 16692 | " " " " Set Screw |
| 240023 | 16612 | Tension Bracket with 201224B and 236060 |
| 200159H | 16612 | " " Screw |
| 240446 | 16612 | Tension Bracket complete, Nos. 200978H, 201199F, 204271, 223438, 223703, 223704, 223706, 237174, 240023, two each 200309E, 201572H and 244048 |
| 244048 | 16612 | Tension Disc |
| 236060 | 16612 | " " Position Pin |
| 223703 | 16612 | " Release Lever |
| 235576 | 16693 | " " " Rod |
| 200309E | 16612 | " " " Screw |
| 223704 | 16612 | " " Plunger |
| 264527 | 16693 | " " Slide |
| 240142 | 16693 | " " Spring |
| 204271 | 16612 | " " Washer |
| 223438 | 16612 | " Spring |
| 201224B | 16612 | " Stud |
| 201572H | 16612 | " Thumb Nut |
| 223706 | 16612 | Thread Controller Disc |
| 200978H | 16612 | " " " Screw |
| 237174 | 16612 | " " Spring |
| 241360 | 16612 | " " " Stop |
| 200132E | 16612 | " " " " Screw |
| 201199F | 16612 | " " Stud with 204925 |
| 200061C | 16612 | " " Set Screw |
| 201572H | 16612 | " " Thumb Nut |
| 204925 | 16612 | " " Washer |
| 202412 | 16686 | " Guide |
| 224040 | 16612 | " Guide |
| 210954 | 16612 | " Guide |
| 210955 | 16612 | " " (upper) |
| 200582H | 16612 | " " Screw (4) |
| 240034 | 16612 | " Retainer |
| 200355H | 16612 | " " Set Screw |
| 240144 | 16690 | Throat Plate, for 264510 |
| 691F | 16690 | " " Screw (2) |
| 240183 | 16693 | Vibrating Presser Bar |
| 240184 | 16693 | " " " Connecting Link |
| 240185 | 16693 | " " " Extension with 204264 and 240186 |
| 240186 | 16693 | Vibrating Presser Bar Extension Collar |
| 204264 | 16693 | " " " " " Pin |
| 202277 | 16693 | " " " Oil Packing (wick) |
| 240188 | 16693 | " " " Spring |
| 350299C | 16693 | " " " Thumb Screw |
| | | (pressure regulating) |
| 240518 | 16693 | Vibrating Presser Foot, 40 needle hole, with 201015F |
| 201015F | 16693 | Vibrating Presser Foot Pinch Screw |

ACCESSORIES

| No. | Plate | Name |
|---------|-------|---|
| 200157B | 16695 | Attachment Screw |
| 200861D | 16695 | Bed Slide (back) Locking Thumb Screw |
| 203470 | 16687 | Bobbin (5) |
| 231337 | 16695 | Cloth Guide |
| 200861D | 16695 | " " Thumb Screw |
| 228476 | 17620 | Screw Driver (Bobbin Case) |
| 135x17 | ----- | Needles, three each, sizes 20 and 22 |
| 224121 | 16644 | Drip Pan, 20 in. long, with four 3/4 in. wire nails |
| 12361 | 16695 | Machine Hinge Connection (2) |
| 41400 | 17620 | " Rest Pin (wood) |
| 120342 | 17620 | Oiler (copper plated) with 120343 |
| 120343 | 17620 | " Spout (3-1/2 in. long) |
| 225498 | 17620 | Screw Driver (7-1/4 in. long) |
| 225554 | 17620 | Wrench (steel) |

BOBBIN WINDER

(SWINGING AUTOMATIC, RIGHT HAND)

FOR "V" BELT DRIVE

| | | |
|---------|-------|------------------------------|
| 259428 | 18312 | Brake (leather) |
| 259429 | 18312 | " Clamp |
| 200113F | 18312 | " " Screw |
| 225453 | 18312 | Frame with 202277 and 259660 |
| 225454 | 18312 | " Hinge Pin |
| 202277 | 18312 | " Oil Packing (wick) |
| 259660 | 18312 | " " Well Washer |
| 225455 | 18312 | " Spring |
| 225456 | 18312 | " " Plunger |
| 259461 | 18312 | Pulley with 200380C |
| 200380C | 18312 | " Set Screw |
| 225381 | 18312 | Spindle |
| 225444 | 18312 | Stop Latch |
| 200056E | 18312 | " " " Screw |
| 225458 | 18312 | " " Thumb Lever |
| 225459 | 18312 | " " " " Hinge Stud |
| 225459 | 18312 | " " " " Joint Stud |
| 202478 | 18312 | " " Trip Lever |
| 200299H | 18312 | " " " " Hinge Screw |
| 225461 | 18312 | Tension Bracket with 201499H |
| 200082D | 18312 | " " " Screw |
| 228026 | 18312 | " " " Washer |
| 2102 | 18312 | " Disc |
| 13710 | 18312 | " Spring |

ACCESSORIES

| No. | Plate | Name |
|---------|-------|--|
| 201499H | 18312 | Tension Stud |
| 201572H | 18312 | " " Thumb Nut |
| 225462 | 18312 | Bobbin Winder Tension Bracket complete, Nos. 13710, 201572H, 225461 and two 2102 |
| 259662 | 18312 | Bobbin Winder and Tension Bracket Base |
| 259462 | 18312 | Universal Bobbin Winder complete, Nos. 200056E, 200082D, 200113F, 200299H, 202478, 225381, 225444, 225453 to 225456, 225458, 225462, 228026, 259428, 259429, 259461, 259662, two each 225459 and wood screws 3/4 in., No. 12, R. H. B. |

KNEE LIFTER

| | | |
|---------|-------|--|
| 228359 | 16643 | Rock Lever with two 350231C |
| 228486 | 16643 | " " Bracket with 200347C and three wood screws 7/8 in., No. 12 |
| 228361 | 16643 | Rock Lever Bracket 228486 with 228359, 228363, 228367, 228386 and 228455 |
| 228362 | 16643 | Rock Lever Extension with 200529C |
| 350231C | 16643 | " " " Set Screw |
| 228363 | 16643 | " " Hinge Pin |
| 228364 | 16643 | " " Knee Plate with 350231C |
| 228388 | 16643 | " " " Arm |
| 350231C | 16643 | " " " " Set Screw |
| 350231C | 16643 | " " " " Set Screw |
| 228455 | 16643 | " " Position Spring |
| 228365 | 16643 | " " Rod |
| 200529C | 16643 | " " " Set Screw |
| 228386 | 16643 | " " Spring |
| 228367 | 16643 | " " Stop Stud |
| 200347C | 16643 | " " " " Set Screw |
| 228368 | 16643 | Knee Lifter complete, Nos. 228361, 228362, 228364, 228365 and 228388 |

(Other Knee Lifter Parts are listed with parts of Machine Head)

THREAD LUBRICATOR

| | | |
|---------|-------|---|
| 236955 | 18515 | Thread Lubricating Cup with 200059C and 201280C |
| 236957 | 18515 | Thread Lubricating Cup Oil Pad (felt) |
| 236959 | 18515 | " " " " " (upper) Reinforcing Plate |
| 201280C | 18515 | Thread Lubricating Cup Oil Pad (upper) Tension Screw Stud |
| 222712 | 18515 | Thread Lubricating Cup Oil Pad (upper) Tension Spring |

ACCESSORIES

| No. | Plate | Name |
|---------|-------|--|
| 201572H | 18515 | Thread Lubricating Cup Oil Pad (upper) Tension Thumb Nut |
| 236961 | 18515 | Thread Lubricating Cup Oil Pad (upper) complete, Nos. 236957 and 236959 |
| 200059C | 18515 | Thread Lubricating Cup Set Screw |
| 236962 | 18515 | " " " Thread Guide |
| 236963 | 18515 | Thread Lubricating Cup complete, Nos. 201572H, 222712, 236955, 236961, 236962 and three 236957 |

BOBBIN WINDER

(SWINGING AUTOMATIC, RIGHT HAND)

FOR 5/16 INCH ROUND BELT DRIVE

| | | |
|--|-------|--|
| Note: Same as 259462 "V" belt Bobbin Winder with the following exceptions: | | |
| 225368 | 18312 | Pulley with 200380C |
| 259430 | 18312 | Bobbin Winder and Tension Bracket Base |
| 259431 | 18312 | Universal Bobbin Winder complete, Nos. 200056E, 200082D, 200113F, 200299H, 202478, 225368, 225381, 225444, 225453 to 225456, 225458, 225462, 228026, 259428 to 259430, two each 225459 and wood screws 3/4 in., No. 12, R. H. B. |

FEED DOGS

| | | |
|--------|-------|--|
| 240118 | 16696 | Feed Dog, 46 needle hole, for needle sizes 16 and 18, for 240143 |
| 240114 | 16696 | Feed Dog, 50 needle hole, for needle sizes 14 and 15, for 240144 |
| 240113 | 16696 | Feed Dog, 46 needle hole, for needle sizes 16 and 18, for 240144 |
| 264510 | 16690 | Feed Dog, 40 elongated needle hole, for needle sizes 23 and 24, for 240144 |
| 240147 | 16696 | Feed Dog, 38 needle hole, for needle sizes 23 and 24, for 240144 |
| 240115 | 16696 | Feed Dog, 50 needle hole, for needle sizes 14 and 15, for 240145 |
| 240116 | 16696 | Feed Dog, 46 needle hole, for needle sizes 16 and 18, for 240145 |
| 240117 | 16696 | Feed Dog, 40 needle hole, for needle sizes 20 and 22, for 240145 |
| 240119 | 16696 | Feed Dog, 40 needle hole, for needle sizes 20 and 22, for 240146 |
| 240120 | 16696 | Feed Dog, 38 needle hole, for needle sizes 23 and 24, for 240146 |

FOOT LIFTER

PARTS REQUIRED FOR CHANGING FROM KNEE LIFTER TO FOOT LIFTER

| No. | Plate | Name |
|---------|-------|-------------------------|
| 223733 | 16695 | Lifting Lever Extension |
| 200082D | 16695 | " " " Screw (2) |
| 227561 | 16695 | " " " Spring |

FOOT LIFTER

| | | |
|--------|-------|---|
| 227952 | 17620 | Lever (left or right) with 227954 |
| 227678 | 17620 | " Chain, 48 in. long, with 202784 |
| 227954 | 17620 | " " Hook (lower) |
| 202784 | 17620 | " " " (upper) |
| 225016 | 17620 | " Hinge Pin |
| 227939 | 17620 | " Stand with two wood screws 1 in., No. 12 |
| 227955 | 17620 | Foot Lifter Lever (left or right) complete, Nos. 225016, 227678, 227939 and 227952 |

PRESSER FEET

| | | |
|--------|-------|---|
| 240128 | 16694 | Lifting Presser Foot, for closing gloves, for 240150 to 240152 |
| 240130 | 16694 | Lifting Presser Foot, for cording and general upholstery, for 240154 |
| 240133 | 16694 | Lifting Presser Foot, for 240153 |
| 240134 | 16694 | " " " " 240157 |
| 240148 | 16694 | " " " " 240149 |
| 240517 | 16694 | " " " " cording and general upholstery, for 240518 |
| 240151 | 16694 | Vibrating Presser Foot, 50 needle hole, with 201015F, for 240128 |
| 240152 | 16694 | Vibrating Presser Foot, 46 needle hole, with 201015F, for 240128 |
| 240150 | 16694 | Vibrating Presser Foot, 38 needle hole, with 201015F, for closing gloves, for 240128 |

| No. | Plate | Name |
|--------|-------|---|
| 240154 | 16694 | Vibrating Presser Foot, 40 needle hole, with 201015F, for 240130 |
| 240153 | 16694 | Vibrating Presser Foot, 40 needle hole, with 201015F, for 240133 |
| 240157 | 16694 | Vibrating Presser Foot, 40 needle hole, with 201015F, for 240134 |
| 240149 | 16694 | Vibrating Presser Foot, 46 needle hole, with 201015F, for 240148 |
| 240518 | 16694 | Vibrating Presser Foot, 40 needle hole, with 201015F, for 240517 |

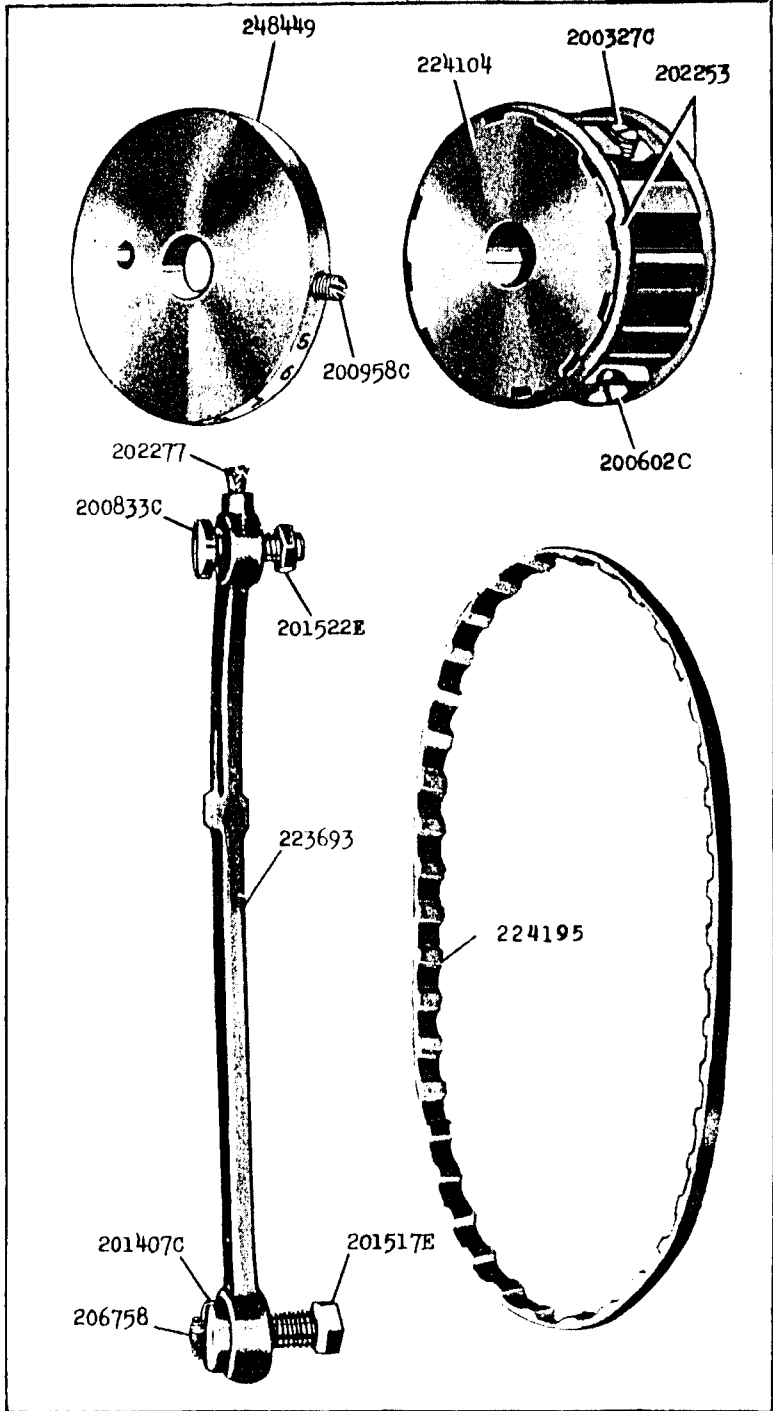
THREAD UNWINDER

| | | |
|---------|-------|---|
| 228692 | 17900 | Spool Pin |
| 201528H | 17900 | " " Nut |
| 228693 | 17900 | " " Washer |
| 225257 | 17900 | " Rest (for two spools) (flat) with 201018C, two each 201528H, 228692 and 228693 |
| 150203 | 17900 | Spool Rest Cushion (felt) |
| 225388 | 17900 | " " Rod |
| 200383C | 17900 | " " " Set Screw |
| 201018C | 17900 | " " " Set Screw |
| 259658 | 17900 | " Stand with 200383C |
| 225391 | 17900 | Thread Guide |
| 201696H | 17900 | " " Lock Nut |
| 225326 | 17900 | " " Position Cup |
| 225324 | 17900 | " " Rod with 208AL and 225322 |
| 208AL | 17900 | " " " Screw |
| 225322 | 17900 | " " " Washer |
| 225258 | 17900 | Thread Unwinder (for two spools) complete, Nos. 201696H, 225257, 225324, 225326, 225388, 259658, two each 150203, 225391 and three wood screws 7/8 in., No. 12 |

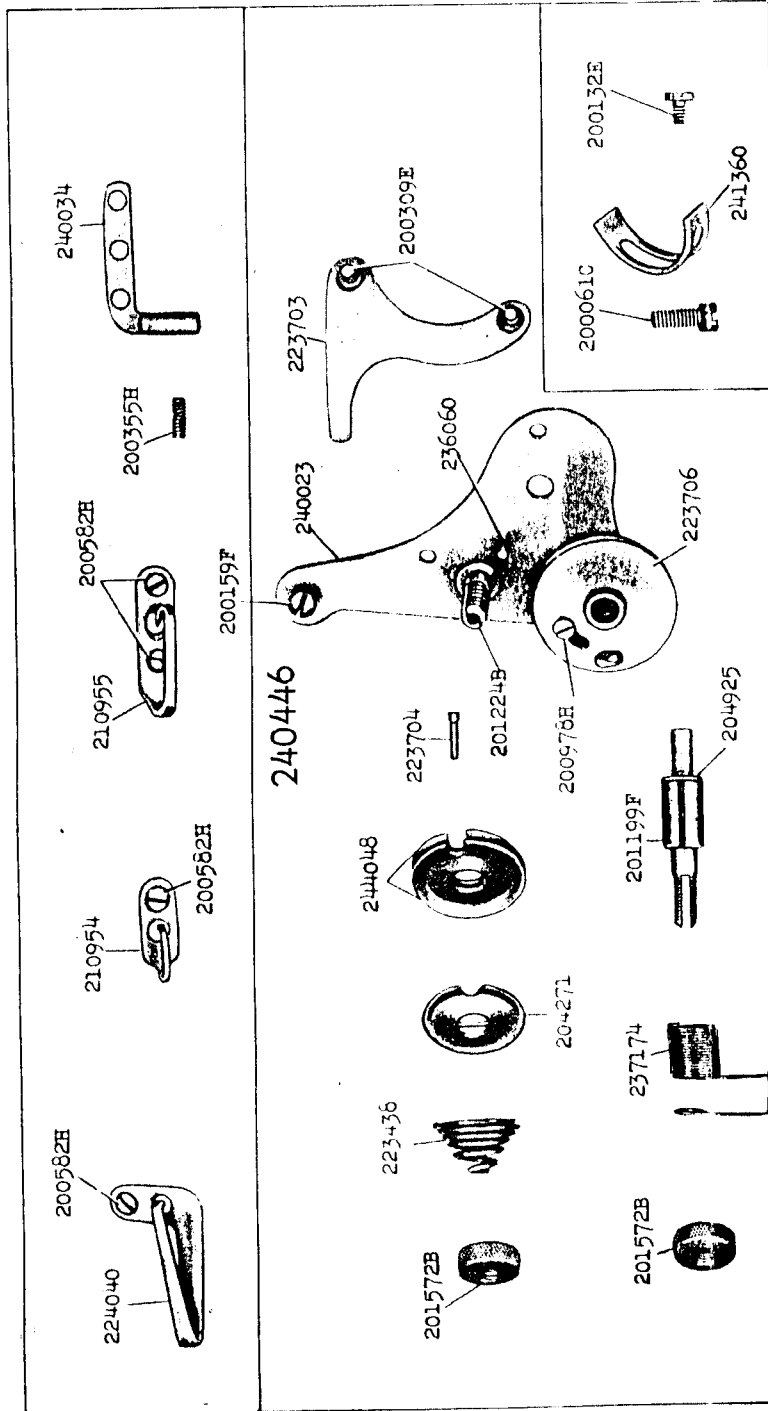
THROAT PLATES

| | | |
|--------|-------|--|
| 240143 | 16696 | Throat Plate, for 240118 |
| 240144 | 16690 | " " " 240113, 240114, 240147 and 264510 |
| 240145 | 16696 | Throat Plate, for 240115 to 240117 |
| 240146 | 16696 | " " " 240119 and 240120 |

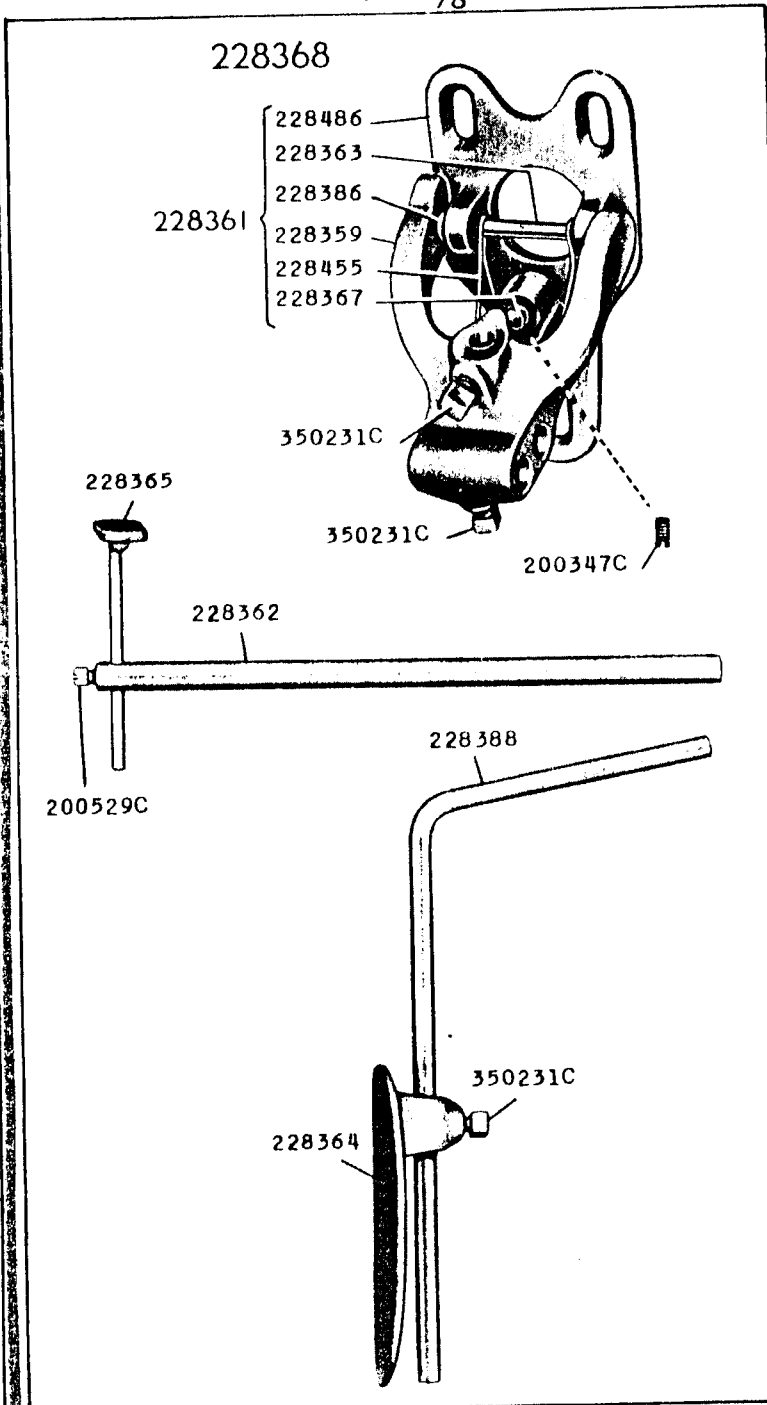
16604 - 3/8



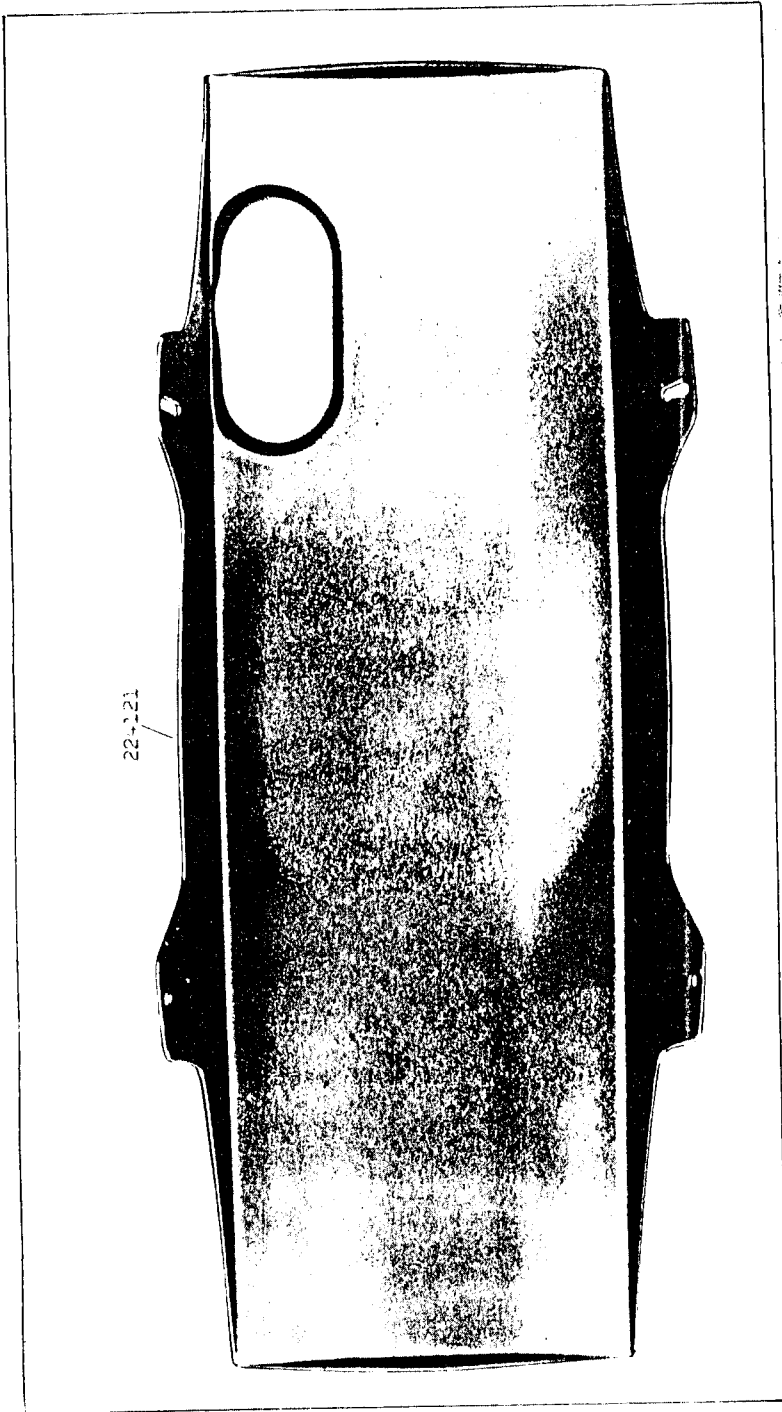
16612 - 2/3



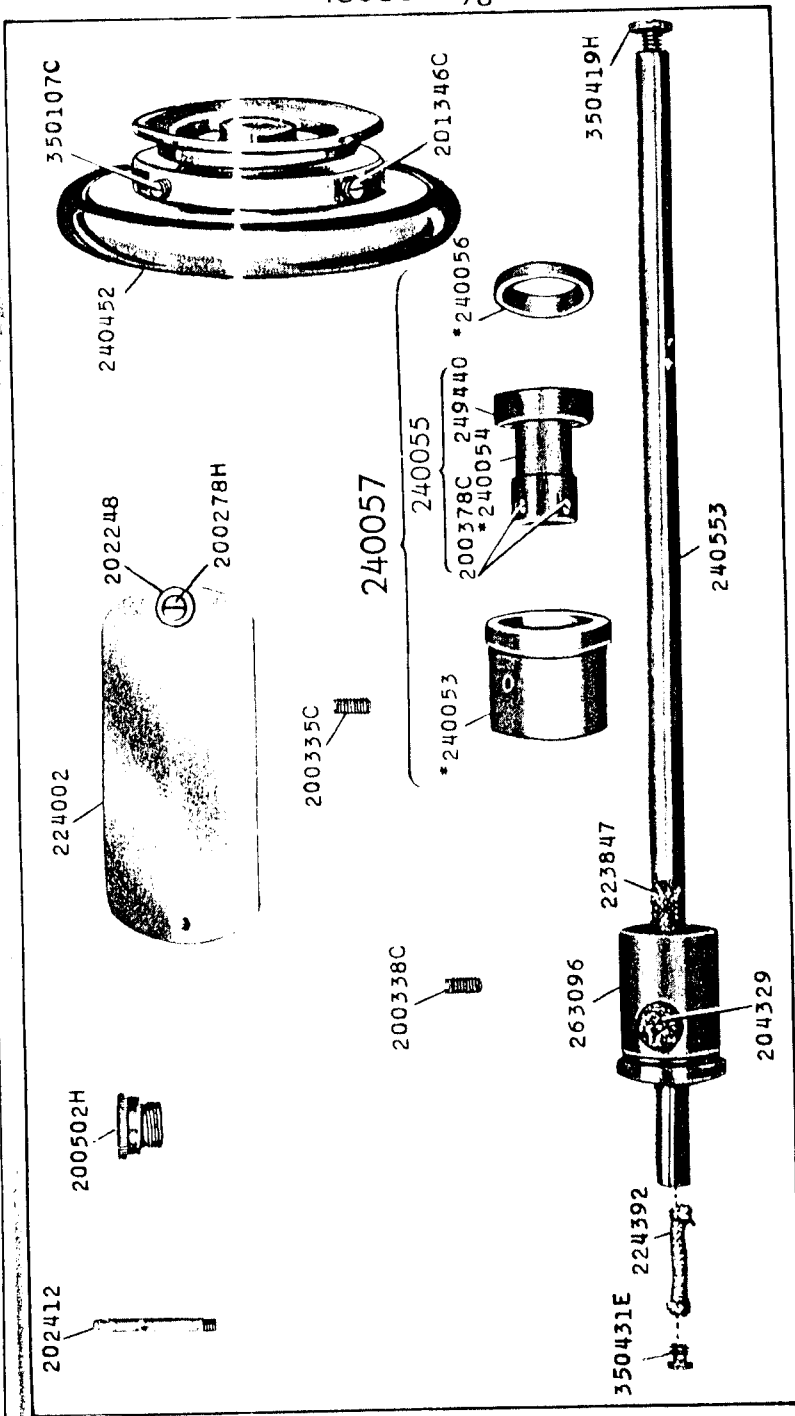
16643 - 3/8

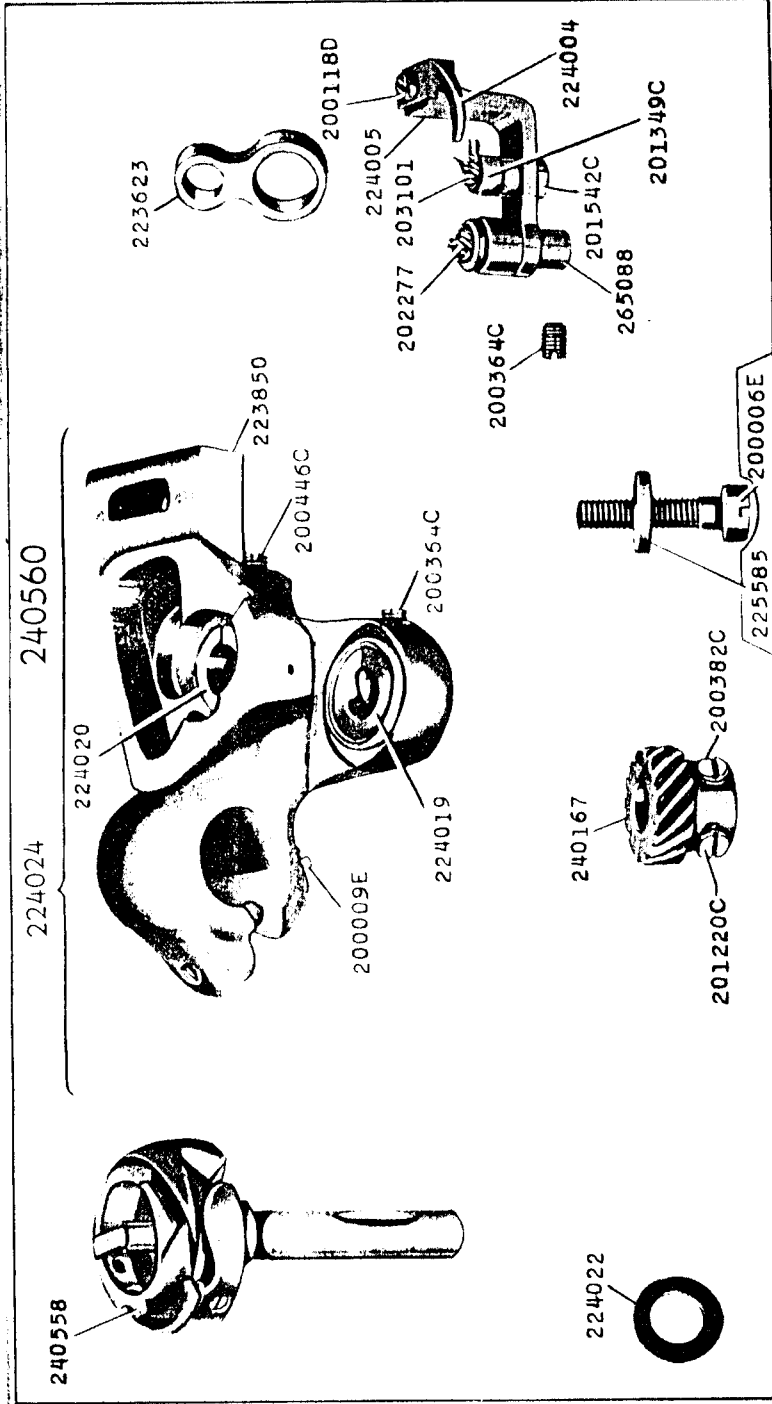
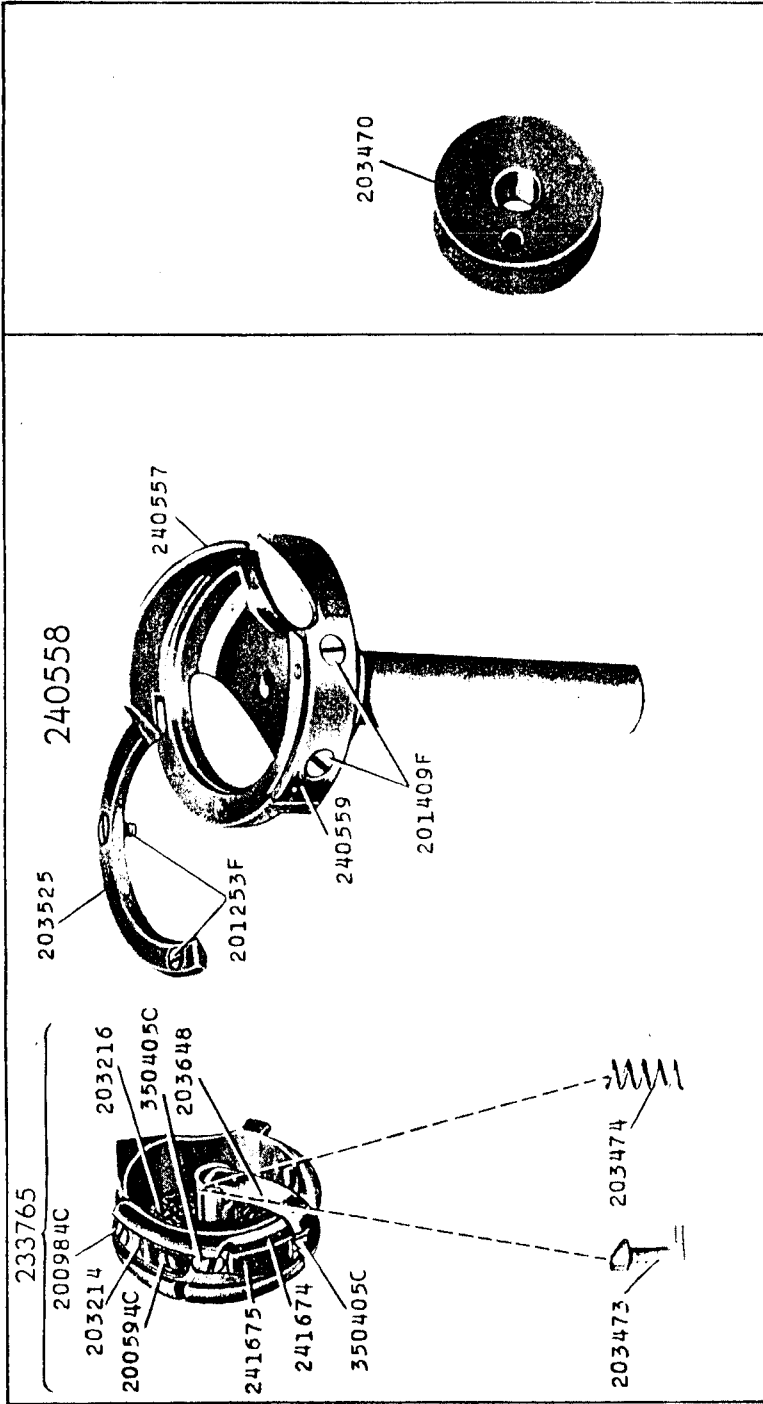


16644 - 1/3

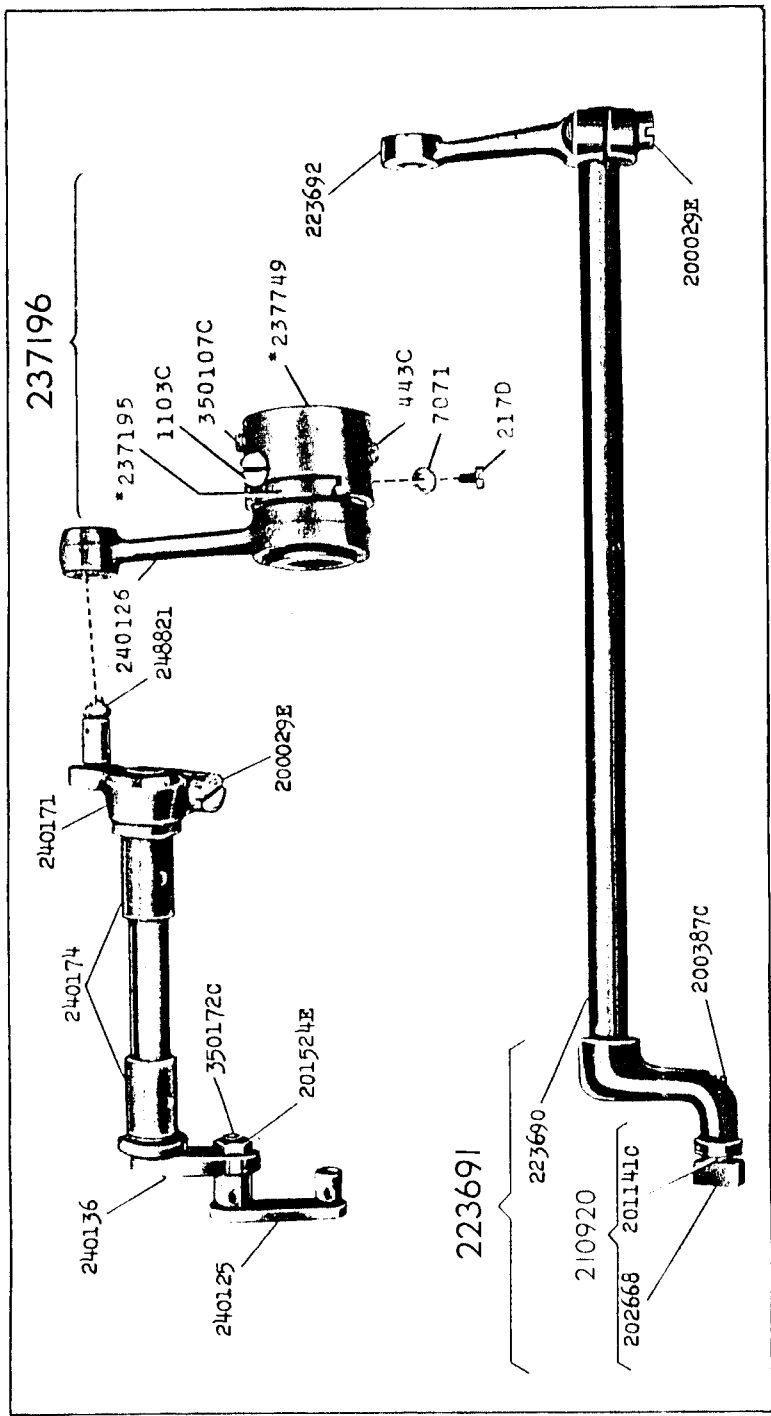


16686 - 3/8

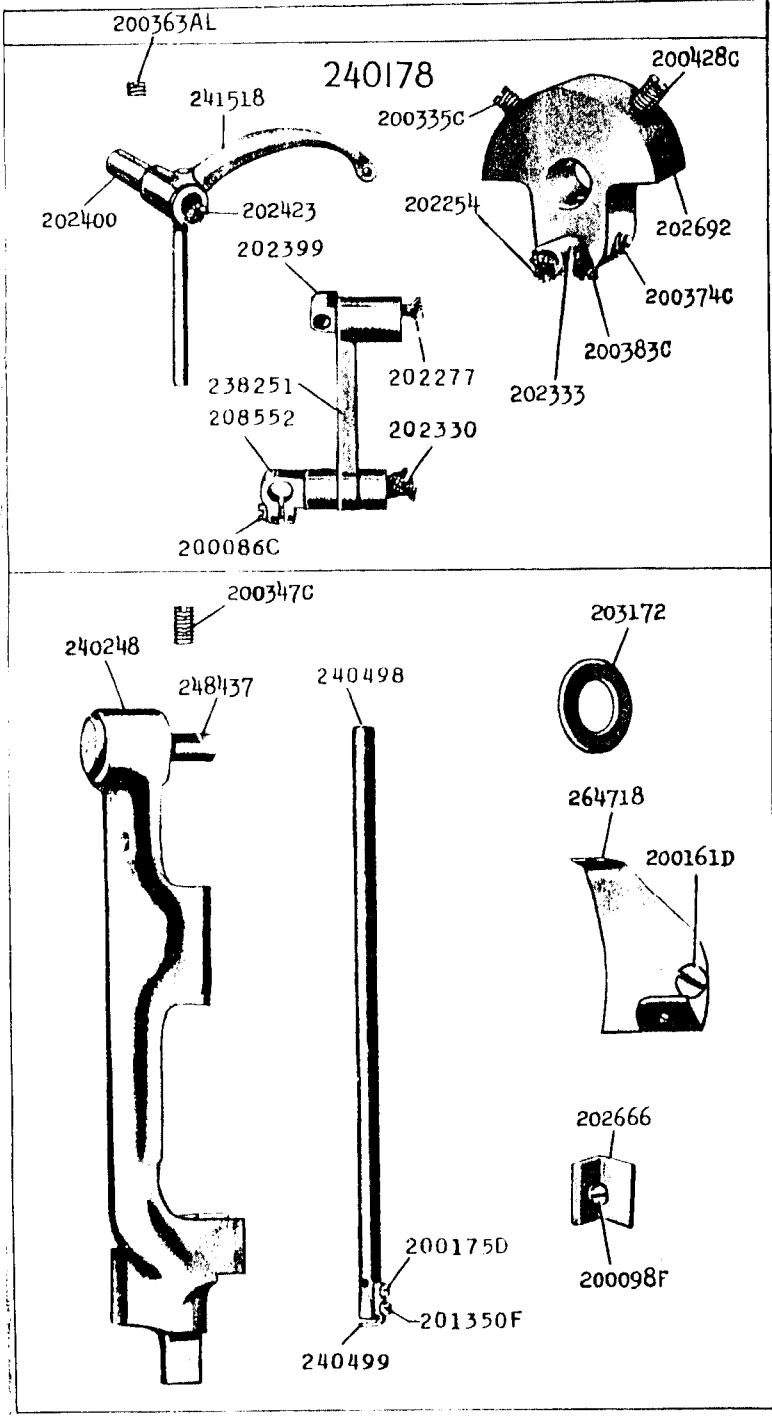


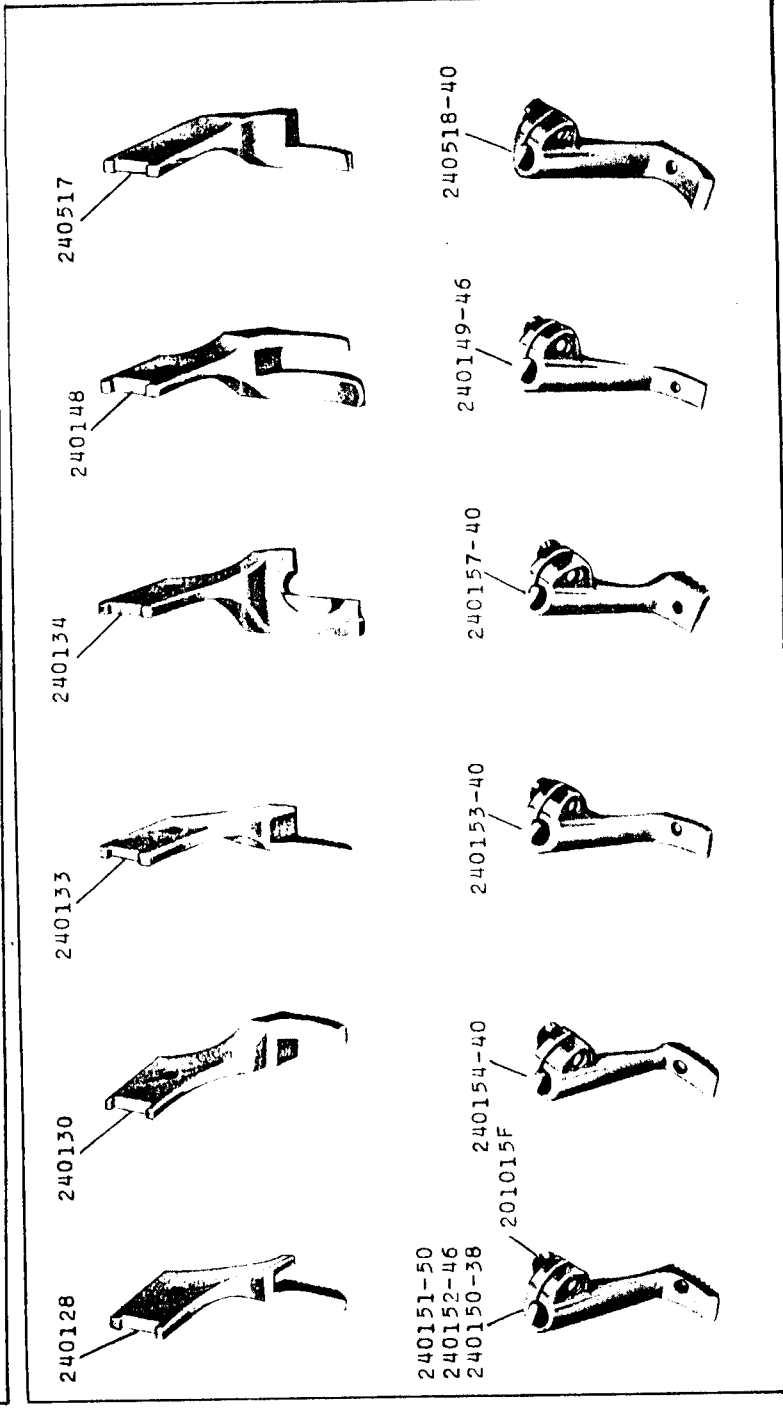
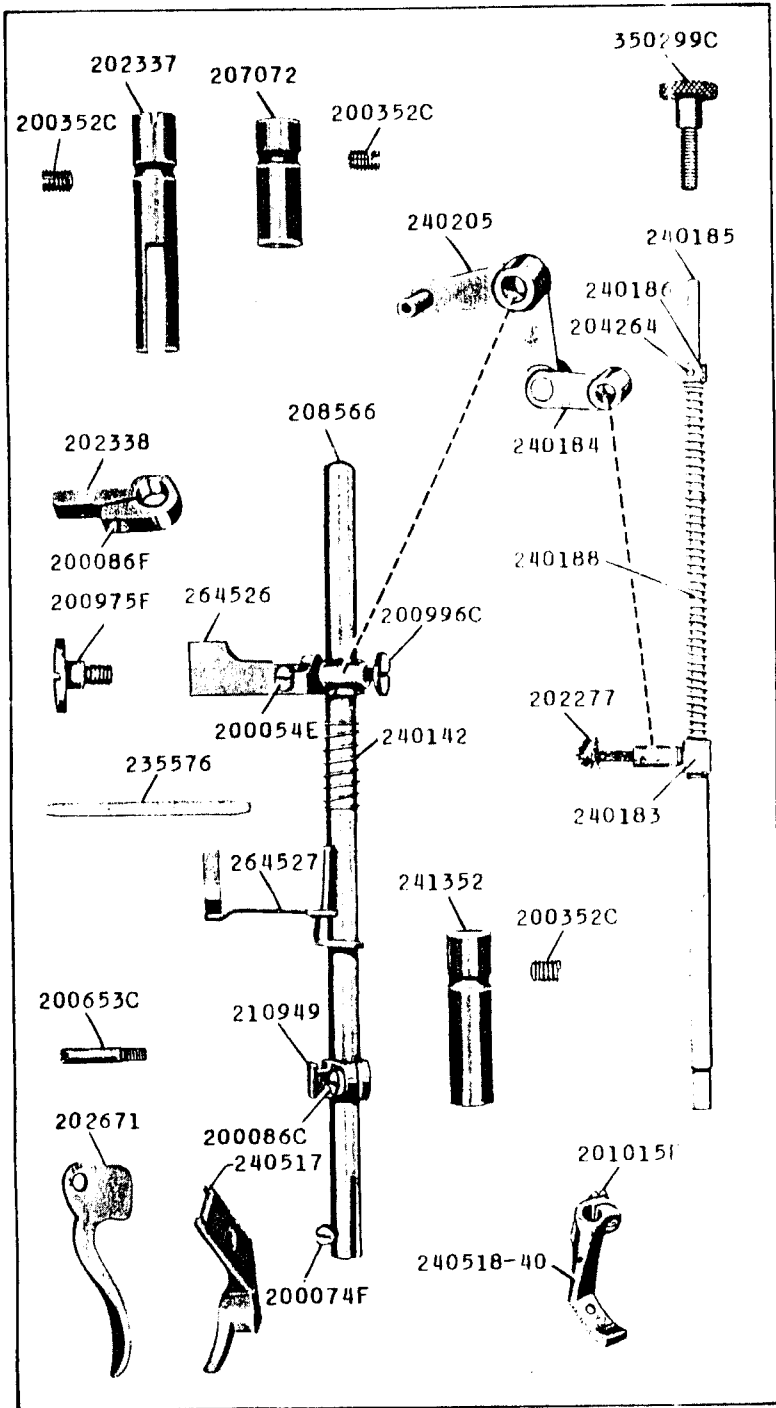


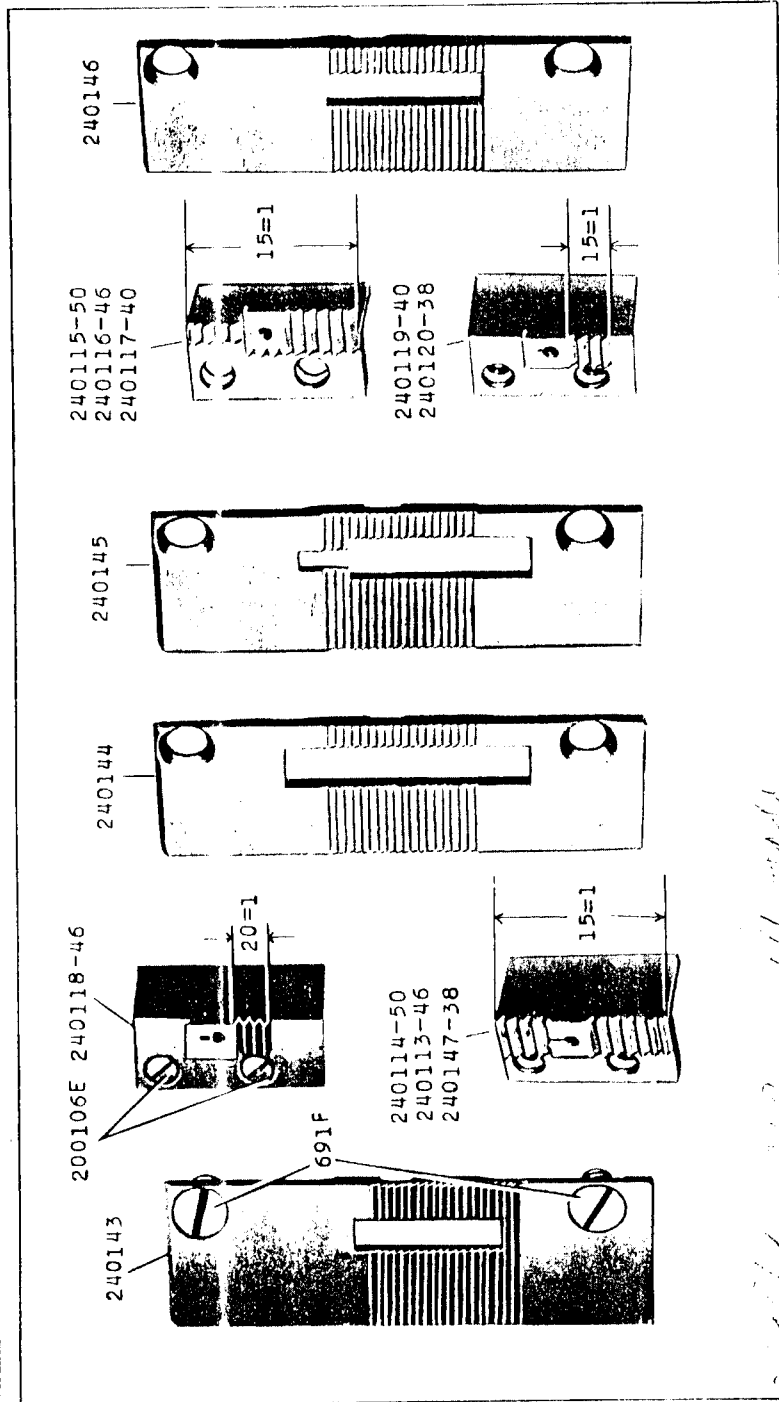
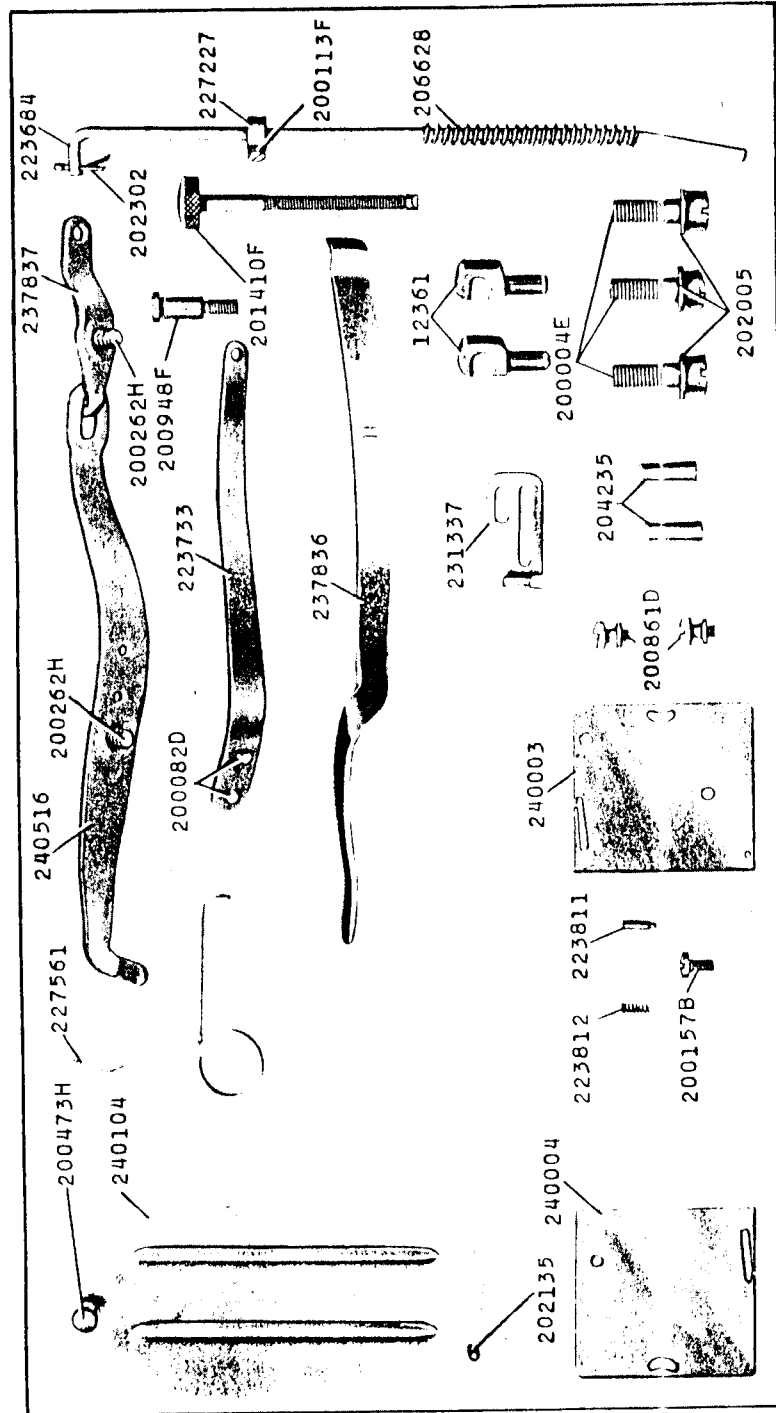
16691 - 1/2



16692 - 1/2

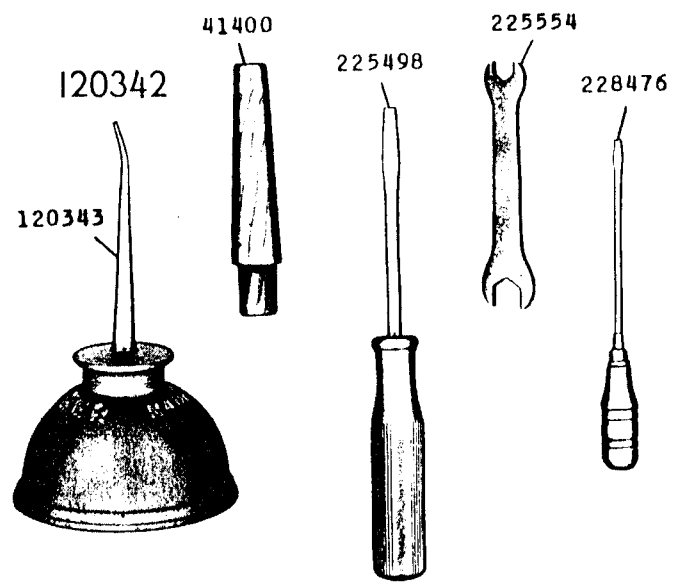
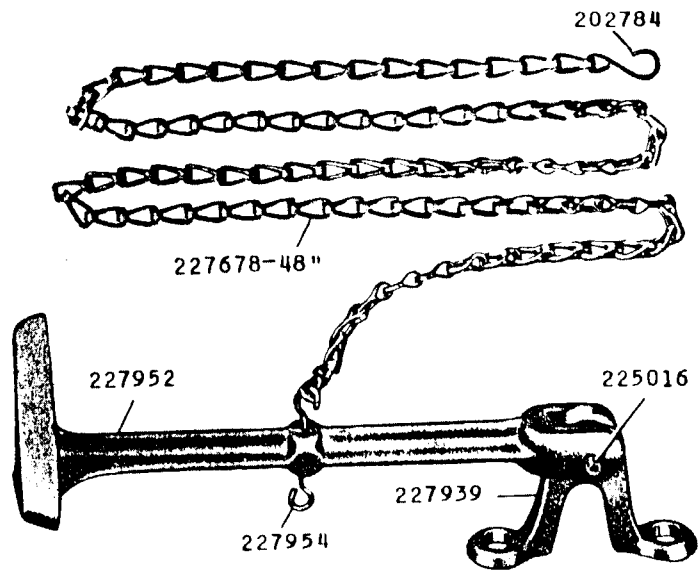






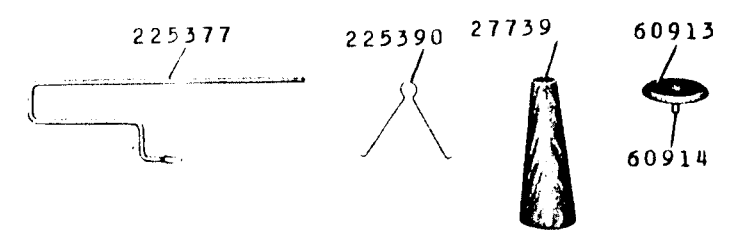
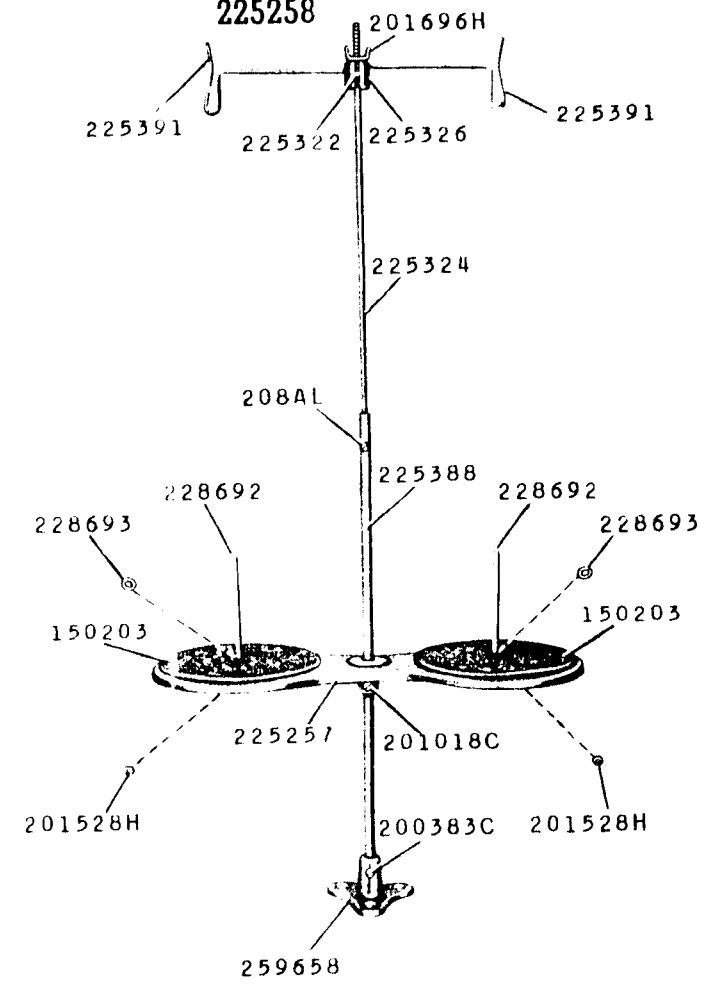
17620 - 1/3

227955

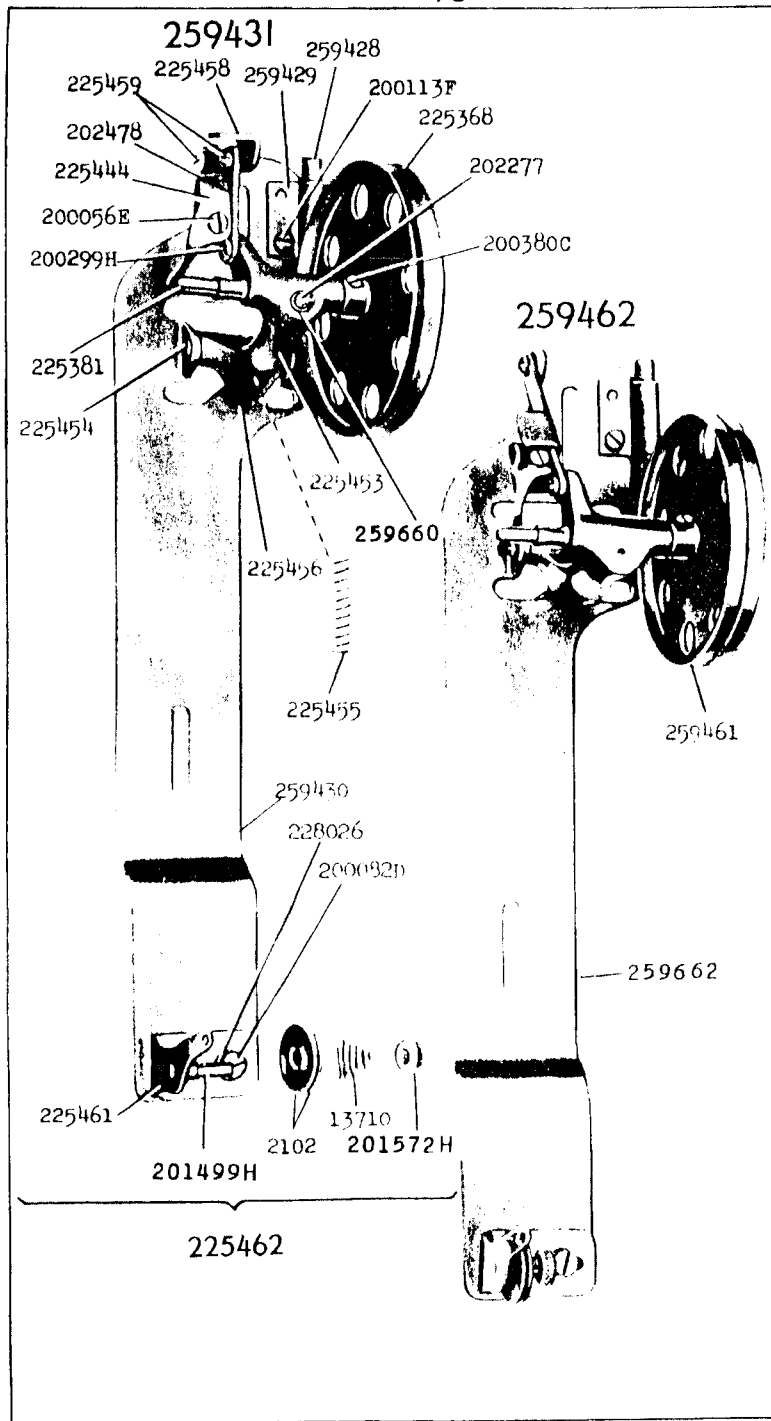


17900 - 1/6

225258

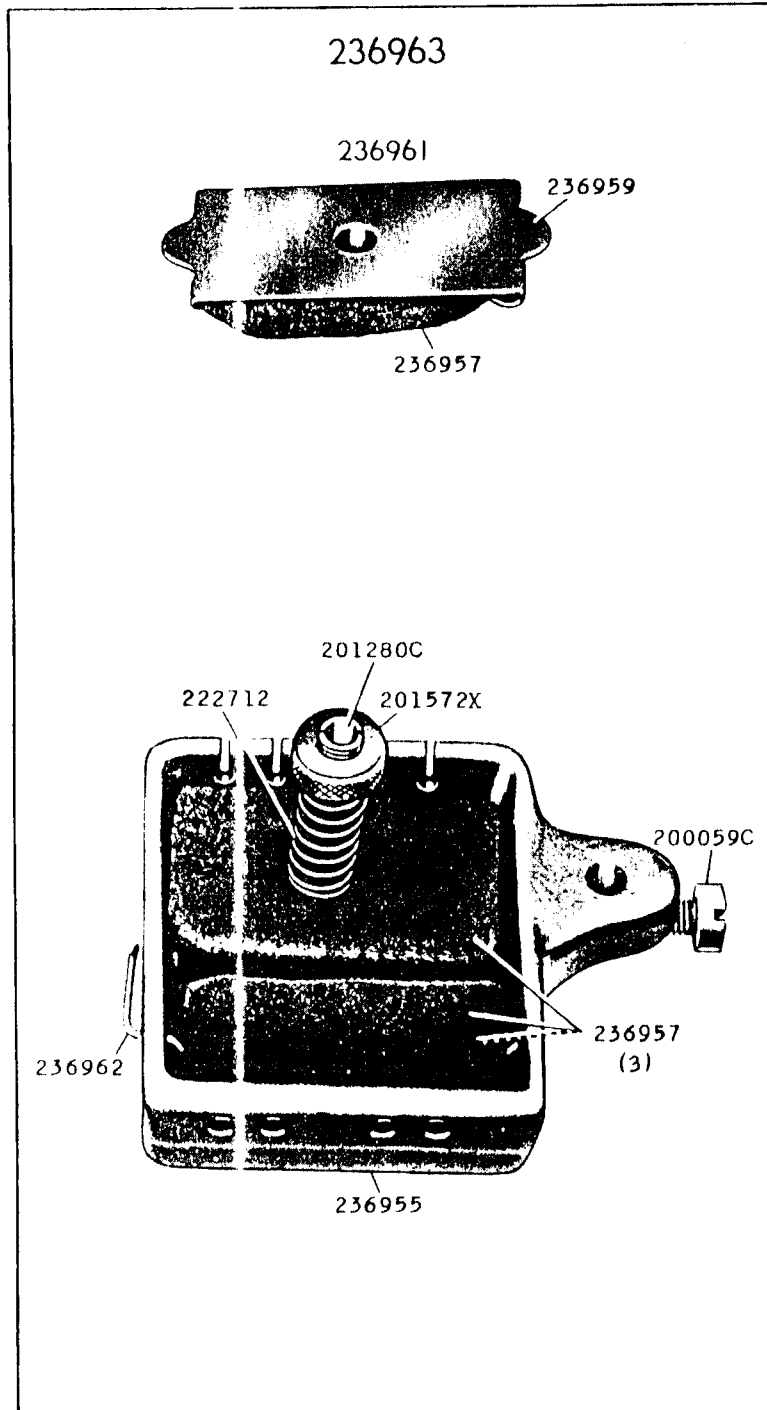


18312 - 3/8



18515

236963



Free Manuals Download Website

<http://myh66.com>

<http://usermanuals.us>

<http://www.somanuals.com>

<http://www.4manuals.cc>

<http://www.manual-lib.com>

<http://www.404manual.com>

<http://www.luxmanual.com>

<http://aubethermostatmanual.com>

Golf course search by state

<http://golfingnear.com>

Email search by domain

<http://emailbydomain.com>

Auto manuals search

<http://auto.somanuals.com>

TV manuals search

<http://tv.somanuals.com>