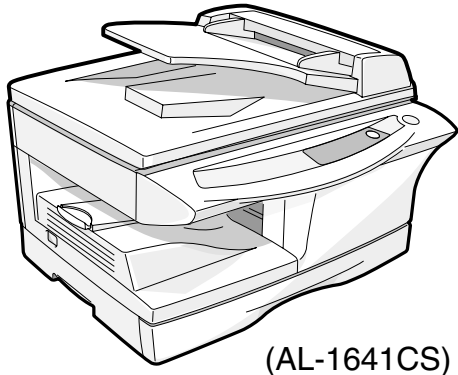


SHARP SERVICE MANUAL

CODE : 00ZAL1641CS1E



(AL-1641CS)

DIGITAL LASER COPIER/ DIGITAL MULTIFUNCTIONAL SYSTEM

AL-1631 AL-1641CS MODEL AL-1645CS

CONTENTS

The AL-1631/AL-1641CS/AL-1645CS Service Manual describes only changed from AL-1215/AL-1530CS/AL-1540CS/AL-1551CS Service Manual.

For the common contents, please refer to the AL-1215/AL-1530CS/AL-1540CS/AL-1551CS Service Manual (Code: 00ZAL1551CS1E)

	MODEL	Reference MODEL
1	AL-1631	AL-1215/AL-1540CS (SPF section)
2	AL-1641CS	AL-1540CS/AL-1551CS (Duplex section)
3	AL-1645CS	AL-1540CS (without SPF, with Duplex)

[1] GENERAL 1 - 1

- Parts Guide

Parts marked with “△” are important for maintaining the safety of the machine. Be sure to replace these parts with the replacement parts specified to maintain the safety and performance of the machine.

SHARP CORPORATION

This document has been published to be used for after sales service only.
The contents are subject to change without notice.

[1] GENERAL

1. Major functions

Configurations

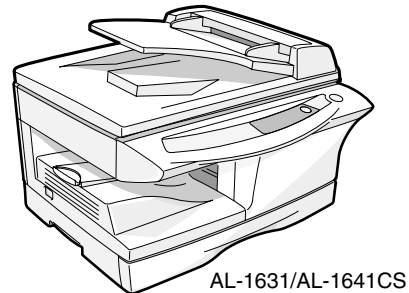
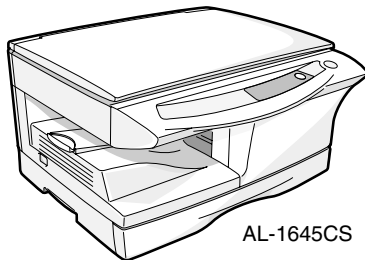
Item Model	CPM (LT)	SB/MB	2 Tray	SPF	R-SPF	Color Scanner	GDI printer	PCL printer	SOPM	Duplex	Memory	FAX
AL-1631	16CPM	MB	×	○	×	×	×	×	○	×	8M	×
AL-1641CS	16CPM	MB	×	○	×	○	○	×	○	○	16M	×
AL-1645CS	16CPM	MB	×	×	×	○	○	×	○	○	16M	×

Descriptions of items

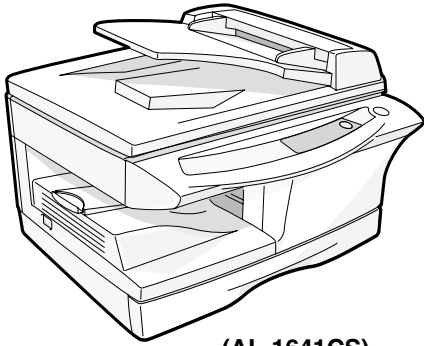
- CPM: Copy speed (Copies Per Minute)
SB/MB: SB = Manual feed single bypass, MB = Manual feed multi bypass
2 tray: Second cassette unit.
SPF: Original feed unit
R-SPF: Duplex original feed unit
Color scanner: Color scanner function
GDI printer: GDI printer function with USB.
PCL printer: PCL printer function with USB.
SOPM: Scan Once Print Many function (Many copies are made by one scan.)
Duplex: Auto duplex copy/print function
Memory: Standard page memory
FAX: FAX function.

Descriptions of table

- : Standard provision
×: No function or no option available
Opt: Option



DIGITAL LASER COPIER / DIGITAL MULTIFUNCTIONAL SYSTEM



(AL-1641CS)

AL-1631 AL-1641CS MODEL AL-1645CS

(For North America and LAG2)

CONTENTS

- | | | | |
|----|---|----|---------------------------------------|
| 1 | Exteriors | 14 | Base plate unit 1 |
| 2 | Original cover unit (AL-1645CS) | 15 | Base plate unit 2 |
| 5 | SPF exteriors (AL-1631/AL1641CS) | 16 | Fusing unit |
| 6 | SPF transport unit (AL-1631/AL1641CS) | 17 | Drive unit |
| 7 | RSPF SPF pick up unit
(AL-1631/AL1641CS) | 19 | Multi manual paper feeding cover unit |
| 8 | Operation panel | 21 | Multi manual paper feeding unit |
| 9 | Side door unit | 24 | 250 sheets tray |
| 10 | Optical frame | 25 | Harness |
| 11 | LSU unit | 28 | Packing material & accessories |
| 12 | Delivery paper guide unit | 29 | Operation PWB |
| 13 | Middle frame | 30 | MCU PWB |
| | | ■ | Index |

[Note]

The AL-1645CS/AL-1641CS/AL-1631 Parts Guide describes only changed from AL-1215/AL-1530CS/AL1540CS/AL-1551CS Parts Guide.

For the common parts, please refer to the AL-1215/AL-1530CS/AL1540CS/AL-1551CS Parts Guide (Code: 00ZAL1551CSP1)

	MODEL	Reference MODEL
1	AL-1645CS	AL-1215 AL-1530CS AL-1540CS AL-1551CS
2	AL-1641CS	
3	AL-1631	

Because parts marked with "△" is indispensable for the machine safety maintenance and operation, it must be replaced with the parts specific to the product specification.

DEFINITION

The definition of each Rank is as follows and also noted in the list

Rank A : Maintenance parts, and consumable parts which are not included in but closely related to maintenance parts

Rank B : Performance/function parts (sensors, clutches, and other electrical parts), consumable parts

Rank E : Unit parts including PWB

Rank D : Preparation parts (External fitting, packing, parts packed together)

Rank C : Parts other than the above (excluding sub components of PWB)

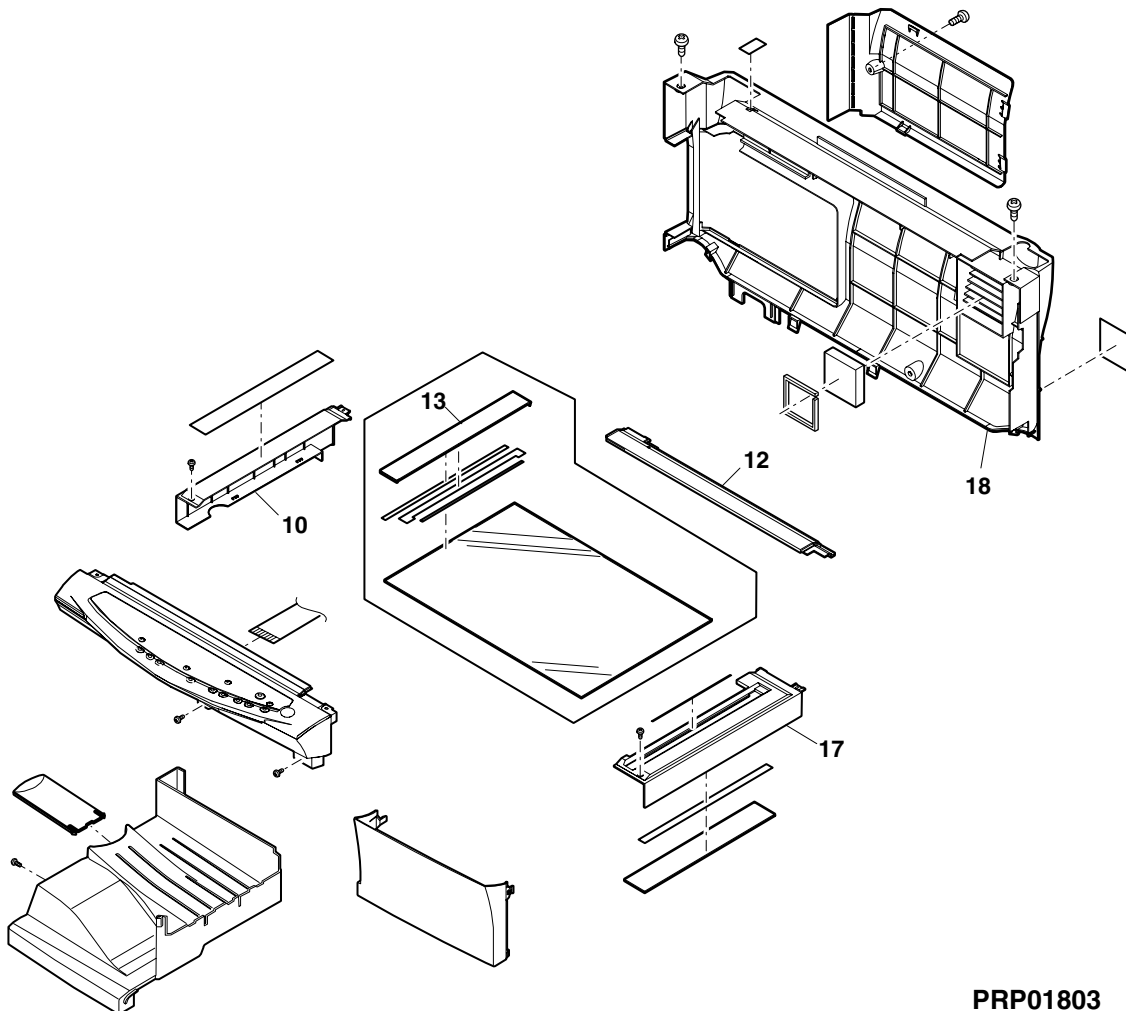
Because parts marked with "△" is indispensable for the machine safety maintenance and operation, it must be replaced with the parts specific to the product specification.

- Other than this Parts Guide, please refer to documents Service Manual (including Circuit Diagram) of this model.
- Please use the 13 digit code described in the right hand corner of front cover of the document, when you place an order.
- For U.S. only-Use order codes provided in advertising literature. Do not order from parts department.

1 Exteriors

NO.	PARTS CODE	PRICE RANK	NEW MARK	PART RANK	DESCRIPTION
10	GCAB-0061QSZ1	AK		D	Left exterior
12	GCOV-0045QSZ2	AG		D	Rear cover SPF (AL-1631/AL1641CS)
	GCOV-0045QSZ3	AG		D	Rear cover SPF (AL-1645CS)
13	CFIX-0021QS06	AG		D	Glass fixing plate (AL-1631/AL1641CS)
	CFIX-0021QS11	AH		D	Glass fixing plate (AL-1645CS)
17	GCAB-0062QSZ2	AN		D	Right exterior SPF (AL-1631/AL1641CS)
	GCAB-0062QSZ3	AL		D	Right exterior SPF (AL-1645CS)
18	GCAB-0026QSJ2	AZ		D	Rear exterior SPF (AL-1631/AL1641CS)
	GCAB-0004QSJ1	AX		D	Rear exterior SPF (AL-1645CS)

1 Exteriors

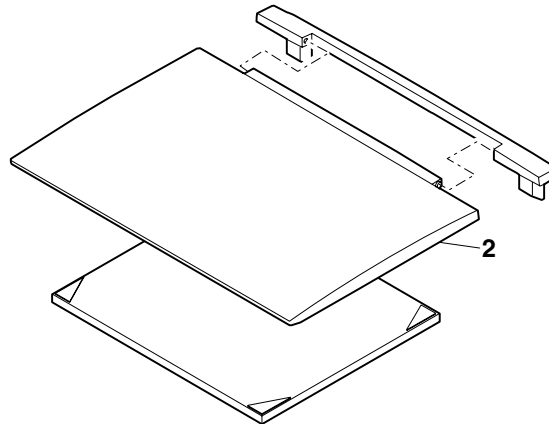


PRP01803

2 Original cover unit (AL-1645CS)

NO.	PARTS CODE	PRICE RANK	NEW MARK	PART RANK	DESCRIPTION
2	GCOVH0004Q SJ 1	AX		D	OC cover M

2 Original cover unit (AL-1645CS)

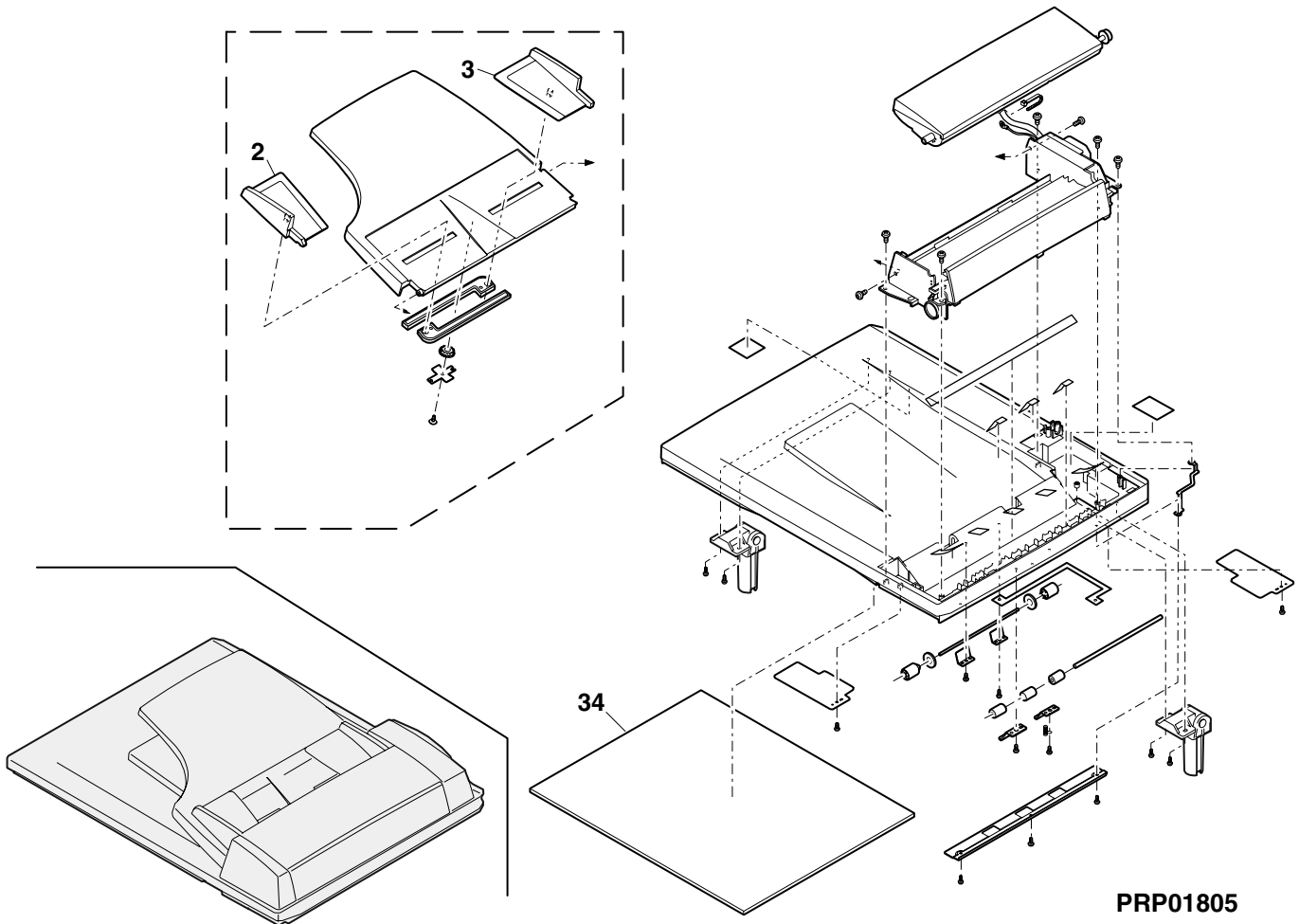


PRP01804

5 SPF exteriors (AL-1631/AL1641CS)

NO.	PARTS CODE	PRICE RANK	NEW MARK	PART RANK	DESCRIPTION
2	LPLTP0011Q SJ 2	AH		C	Control plate F
3	LPLTP0012Q SJ 2	AH		C	Control plate R
34	PCUSS0025Q SZ 1	AQ		D	OC mat

5 SPF exteriors (AL-1631/AL1641CS)

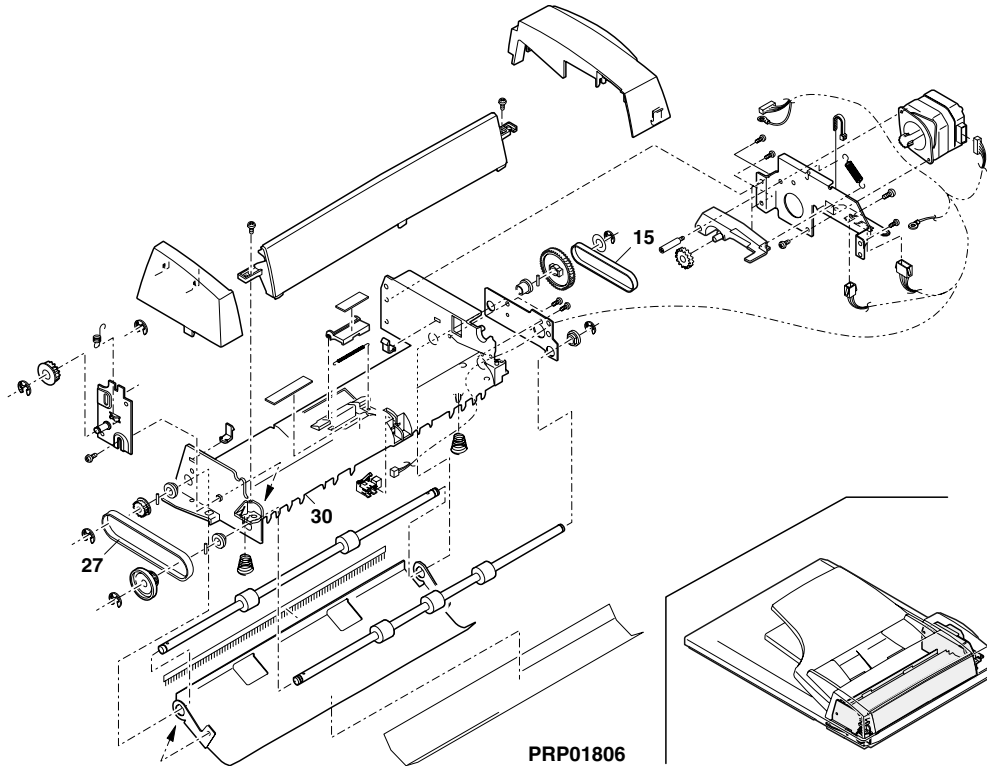


PRP01805

6 SPF transport unit (AL-1631/AL1641CS)

NO.	PARTS CODE	PRICE RANK	NEW MARK	PART RANK	DESCRIPTION
15	NBLTT0006QSZ1	AE		B	Belt(83MXL4.8)
27	NBLTT0003QSZ1	AF		B	Belt(B91MXL4.8)
30	PGIDM0024QSZ3	AN		C	Transport paper guide

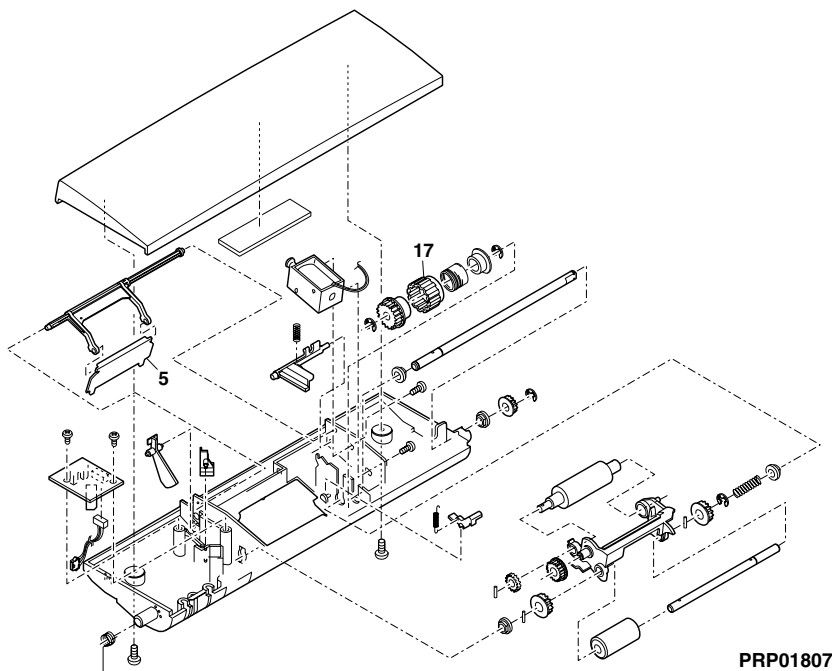
6 SPF transport unit (AL-1631/AL1641CS)



7 SPF pick up unit (AL-1631/AL1641CS)

NO.	PARTS CODE	PRICE RANK	NEW MARK	PART RANK	DESCRIPTION
5	LSTPP0001QSZ1	AD		C	Paper stopper R
17	PPiPP0008QSZZ	AD		C	Clutch sleeve
	(Unit)				
901	CFRM-0011RS58	BF		E	SPF pick up unit

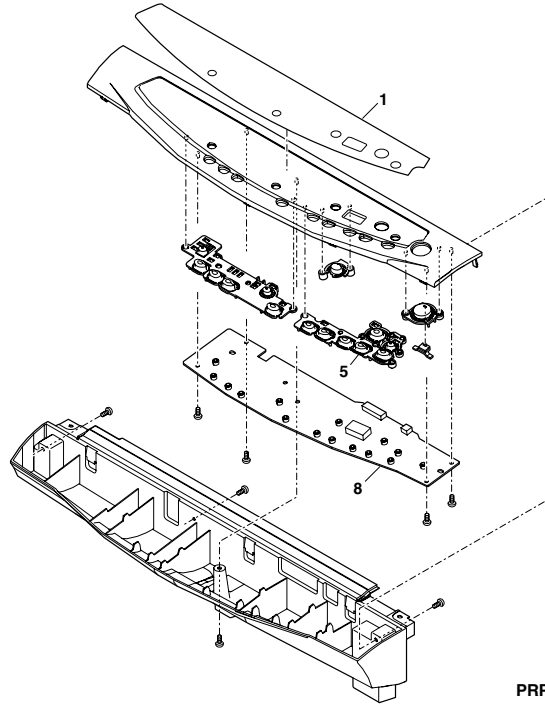
7 SPF pick up unit (AL-1631/AL1641CS)



8 Operation panel

NO.	PARTS CODE	PRICE RANK	NEW MARK	PART RANK	DESCRIPTION
1	CPNLH0023QS0D	AR	N	D	Panel (AL-1631)
	CPNLH0023QS0E	AR	N	D	Panel (AL-1641CS)
	CPNLH0023QS0F	AT	N	D	Panel (AL-1645CS IN series)
	CPNLH0023QS0G	AT	N	D	Panel (AL-1645CS AB series)
5	CBTN-0050QS02	AF		E	Operation key R (AL-1631)
	CBTN-0050QS01	AE		E	Operation key R (AL-1641CS/AL-1645CS)
8	CPWBF0113QSF4	BB	N	E	Operation PWB (AL-1631)
	CPWBF0113QSF5	BB	N	E	Operation PWB (AL-1641CS/AL-1645CS)

8 Operation panel

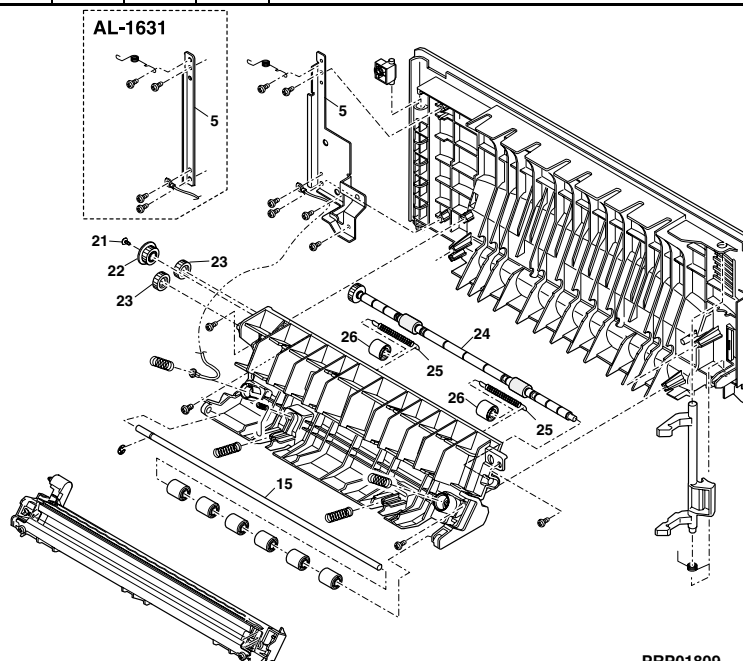


9 Side door unit

PRP01808

NO.	PARTS CODE	PRICE RANK	NEW MARK	PART RANK	DESCRIPTION
5	LPLTM0043QSZZ	AD		C	Earth plate (AL-1631)
	LPLTM0132QSZZ	AH		C	Earth plate (AL-1641CS/AL-1645CS)
15	NSFTZ0006QSZZ	AG		C	PS shaft
21	XEPSD30P08X00	AA		C	Screw(3x8) (AL-1641CS/AL-1645CS)
22	NGERH0048QSZZ	AE		C	DUP drive gear (AL-1641CS/AL-1645CS)
23	NGERH0051QSZZ	AE		C	DUP drive gear A (AL-1641CS/AL-1645CS)
24	NROLP0025QSZZ	AM		C	DUP drive roller (AL-1641CS/AL-1645CS)
25	MSPRC0050QSZZ	AB		C	DUP pressupe spring (AL-1641CS/AL-1645CS)
26	NROLP1122FCZZ	AF		C	PS upper roller (AL-1641CS/AL-1645CS)

9 Side door unit

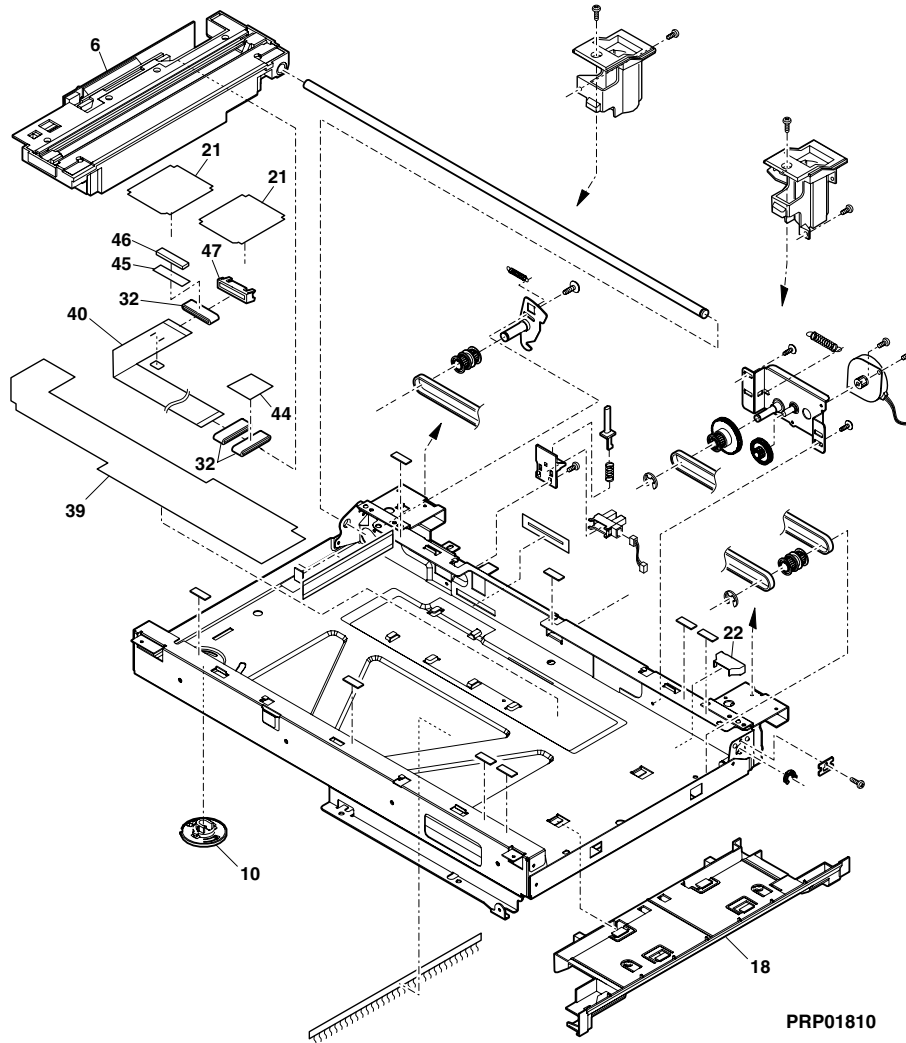


PRP01809

10 Optical frame

NO.	PARTS CODE	PRICE RANK	NEW MARK	PART RANK	DESCRIPTION
6	DUNT-0276QS11	BT		E	Carriage unit
10	MLOKZ0004QSZZ	AD		C	Carriage lock (AL-1631/AL-1641CS)
	MLOKZ0004QSZ1	AD		C	Carriage lock (AL-1645CS)
18	PGIDM0099QSZ1	AH		C	Paper guide
21	PSHEZ0367QSZ1	AD	N	C	Cable fixing sheet
22	PDUC-0005QSZ2	AD	N	C	Fan duct JAG
32	RCORF0018QSZZ	AR		C	FFC core
39	PSHEZ0389QSZ1	AK		C	Scanner sheet
40	DHAI-0268QSZ1	AH		C	CCD-MCU harness
44	PSHEZ0401QSZ1	AG	N	C	Scanner core sheet
45	PTPE-0056QSZZ	AD	N	C	Double-sided tape
46	PMLT-0068QSZZ	AC		C	Core holder malt
47	LFI-X-0025QSZZ	AG	N	C	CCD harness fixing plate

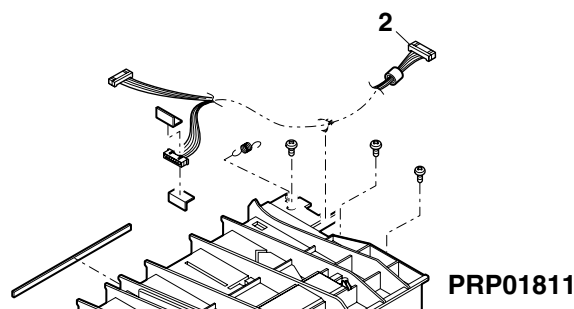
10 Optical frame



11 LSU unit

NO.	PARTS CODE	PRICE RANK	NEW MARK	PART RANK	DESCRIPTION
2	DHAI-0282QSZ1	AG		C	LSU harness

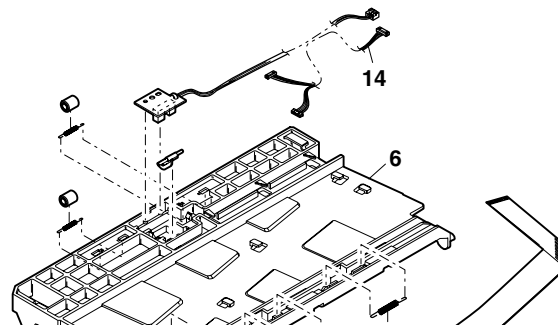
11 LSU unit



12 Delivery paper guide unit

NO.	PARTS CODE	PRICE RANK	NEW MARK	PART RANK	DESCRIPTION
6	P G i D M 0 0 0 6 Q S Z 3	AM		C	Delivery paper guide
14	D H A i - 0 2 8 2 Q S Z 1	AG		C	LSU harness

12 Delivery paper guide unit

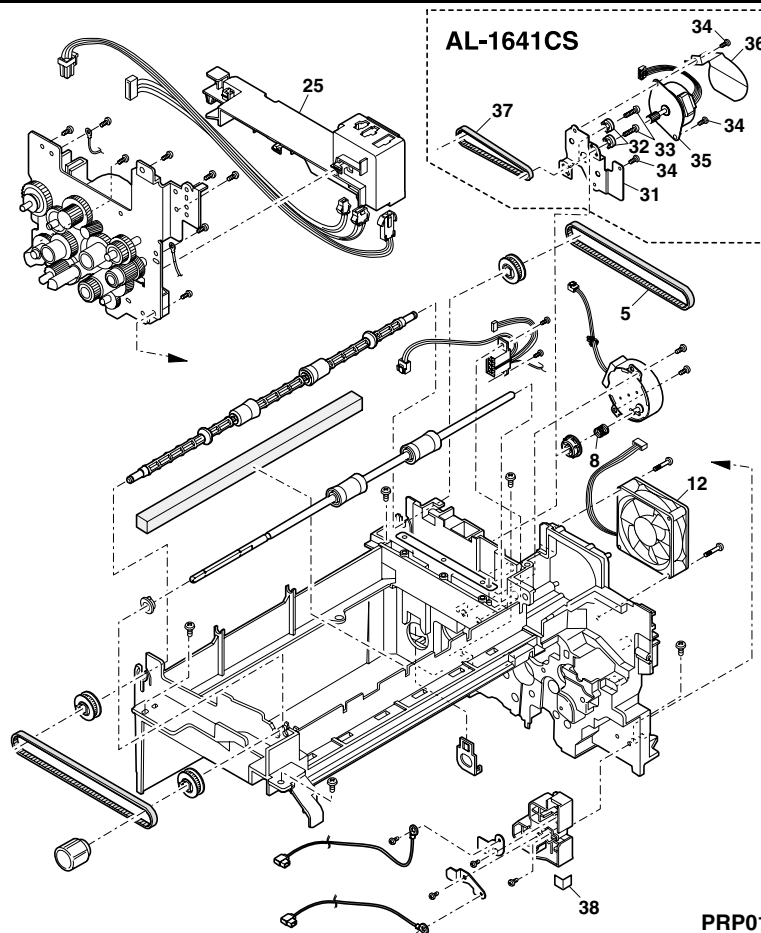


PRP01812

13 Middle frame

NO.	PARTS CODE	PRICE RANK	NEW MARK	PART RANK	DESCRIPTION
5	N B L T - 0 0 0 5 Q S Z Z	AH		B	Delivery roller drive belt (AL-1631)
8	M S P R C 0 3 3 0 Q S Z Z	AC		C	Hopper spring
12	N F A N P 0 0 0 5 Q S Z 2	AU		B	Fan
25	P G i D M 0 0 0 9 Q S Z 1	AG		C	Harness guide
31	L P L T M 0 1 3 3 Q S Z 1	AE		C	DUP motor sink (AL-1641CS/AL-1645CS)
32	P S P A Z 0 0 1 7 Q S Z Z	AK		C	DUP spacer (AL-1641CS/AL-1645CS)
33	X E B S D 3 0 P 1 0 0 0 0	AA		C	Screw(3x10) (AL-1641CS/AL-1645CS)
34	X H B S E 3 0 P 0 6 0 0 0	AA		C	Screw(3x6) (AL-1641CS/AL-1645CS)
35	R M O T P 0 0 1 2 Q S Z Z	AW		B	DUP transport motor (AL-1641CS/AL-1645CS)
36	P S H E Z 0 1 5 6 Q S Z Z	AE		C	Harness protection sheet (AL-1641CS/AL-1645CS)
37	N B L T T 0 0 0 4 Q S Z 1	AF		B	Belt (AL-1641CS/AL-1645CS)
38	P S H E Z 0 1 5 5 Q S Z Z	AD		C	Sheet (AL-1641CS/AL-1645CS)

13 Middle frame

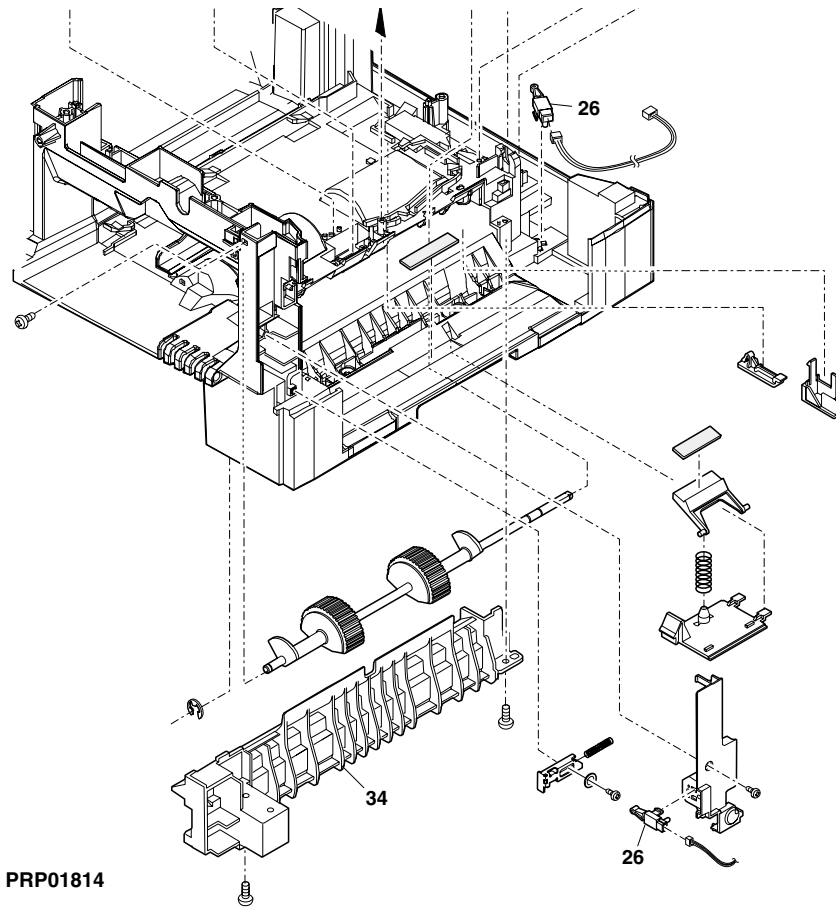


PRP01813

14 Base plate unit 1

NO.	PARTS CODE	PRICE RANK	NEW MARK	PART RANK	DESCRIPTION
26	QSW-B0017QSZZ	AF		B	Tray detect switch
34	LRALP0001QSJ2	AM		C	Base plate rail R

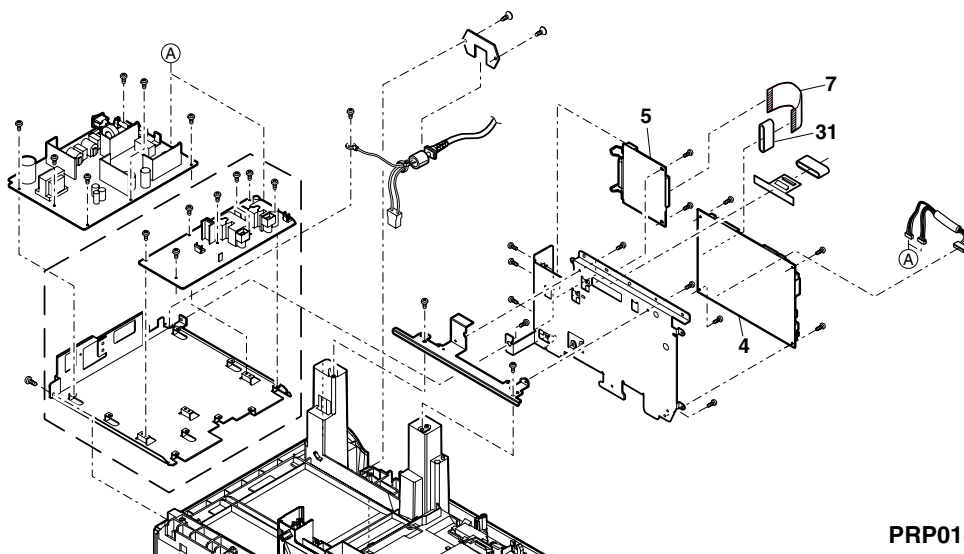
14 Base plate unit 1



15 Base plate unit 2

NO.	PARTS CODE	PRICE RANK	NEW MARK	PART RANK	DESCRIPTION
4	CPWBX0121QS49	BY	N	E	MCU PWB
5	CPWBF0114QSE1	BA		E	IF PWB (AL-1641CS/AL-1645CS)
7	DHAI-0283QSZZ	AD		C	MCU-I/F harness (AL-1641CS/AL-1645CS)
31	RCORF0026QSZZ	AE		C	Ferrite core (AL-1641CS/AL-1645CS)

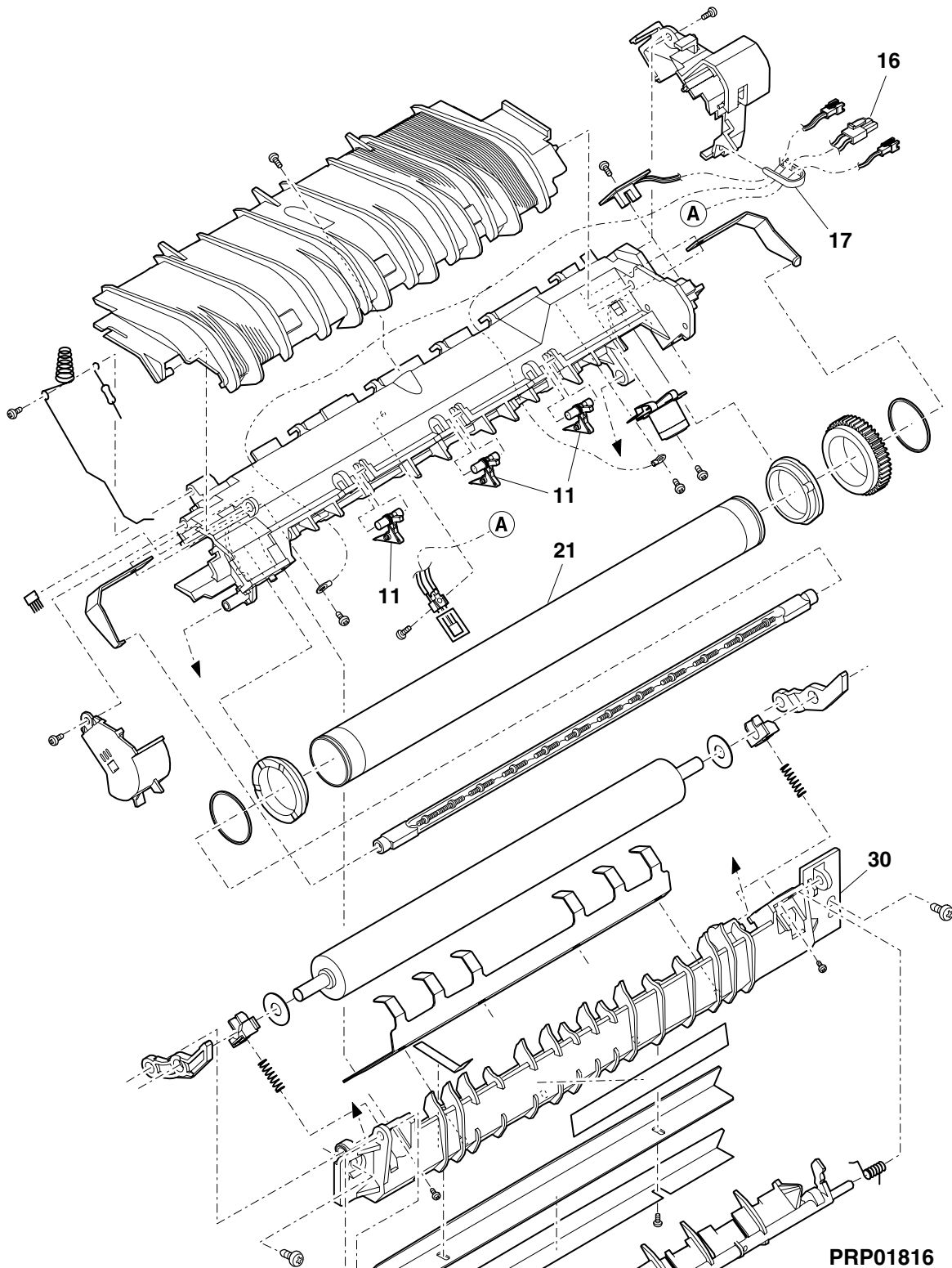
15 Base plate unit 2



16 Fusing unit

NO.	PARTS CODE	PRICE RANK	NEW MARK	PART RANK	DESCRIPTION
11	CTME-0229FC04	AG		C	Separator pawl
16	DHAi-0278QSZ1	AK		C	HL harness 2 (100V Series)
17	LBNDJ0037FCZ1	AA		C	Wire band
21	NROLi0014QSZ3	BA		C	Heart roller
30	LFRM-0005QSZ1	AQ		D	Fusing lower frame

16 Fusing unit

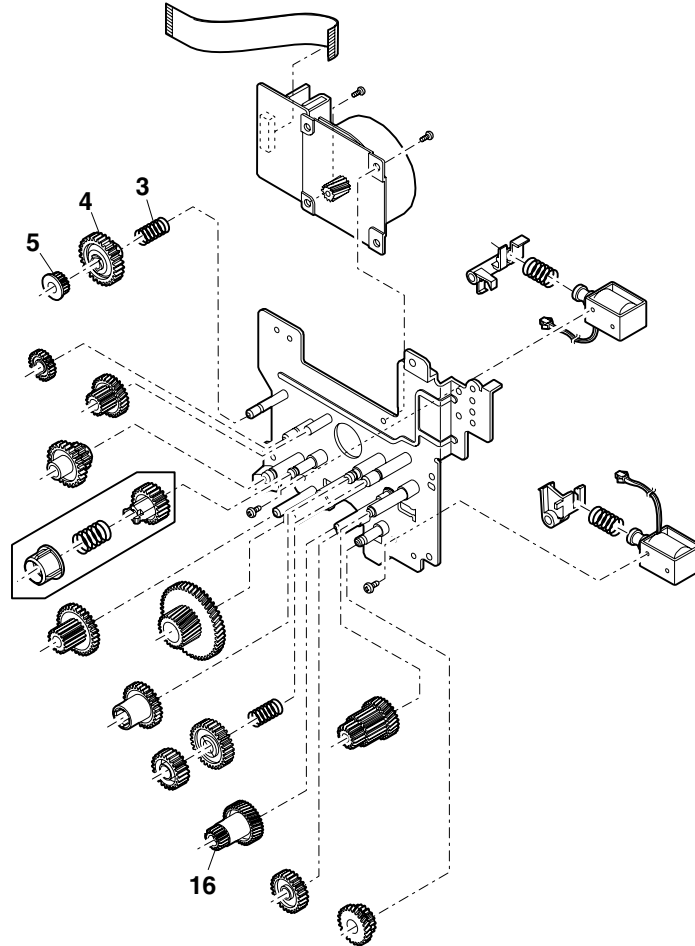


PRP01816

17 Drive unit

NO.	PARTS CODE	PRICE RANK	NEW MARK	PART RANK	DESCRIPTION
3	MSPRC0053QSZ1	AC		C	Pulley spring (AL-1631)
4	NGERH0050QSZZ	AD		C	Ratchet gear(33T) (AL-1631)
5	NPLYZ0002QSZZ	AC		C	Pulley(17T) (AL-1631)
16	NGERH0008QSZ3	AL		C	Gear(55/19T)
(Unit)					
901	CPLTM0042RS55	BM		E	Drive unit[Except No.27] (AL-1631)
	CPLTM0042RS56	BM		E	Drive unit[Except No.27] (AL-1641CS/AL-1645CS)

17 Drive unit

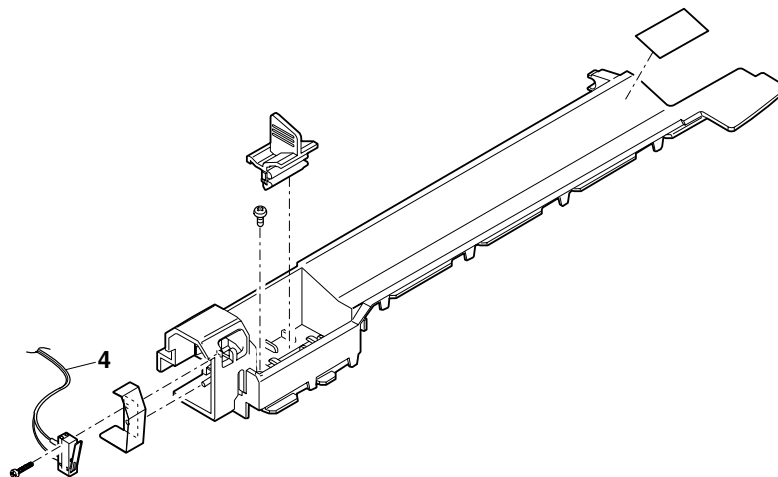


PRP01817

19 Multi manual paper feeding cover unit

NO.	PARTS CODE	PRICE RANK	NEW MARK	PART RANK	DESCRIPTION
4	CSW-M0016RS51	AG		E	Side door detect switch unit

19 Multi manual paper feeding cover unit

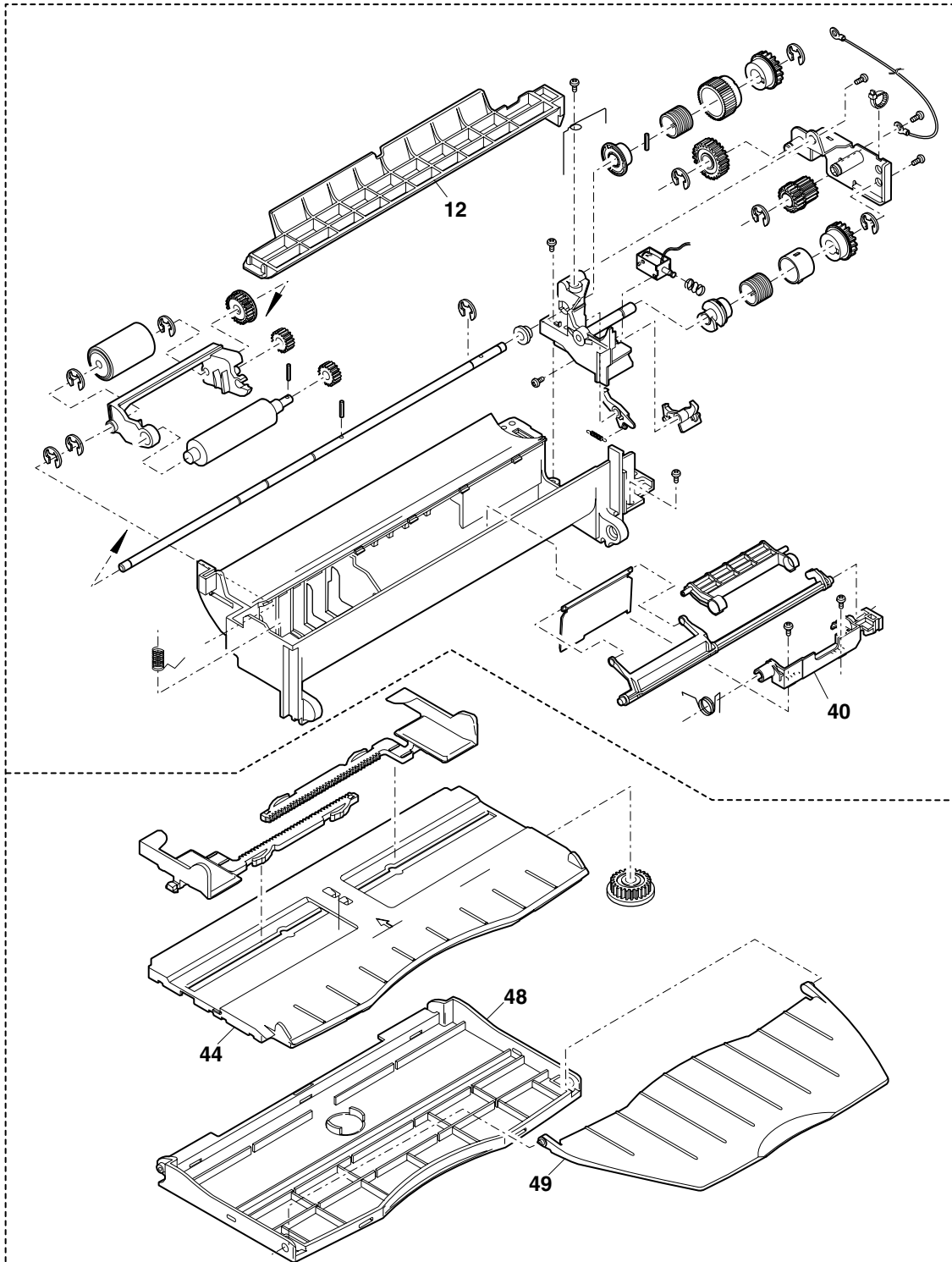


PRP01818

21 Multi manual paper feeding unit

NO.	PARTS CODE	PRICE RANK	NEW MARK	PART RANK	DESCRIPTION
12	P G i D M 0 0 1 4 Q S J 1	AF		C	DUP upper guide
40	M H N G - 0 0 0 2 Q S Z 1	AC		C	Arm hinge
44	P C O V P 0 0 1 9 Q S J 2	AL		D	Multi tray front cover
48	L S O U - 0 0 0 2 Q S J 1	AL		D	Multi tray 1
49	L S O U - 0 0 0 3 Q S J 1	AH		D	Multi tray 2

21 Multi manual paper feeding unit

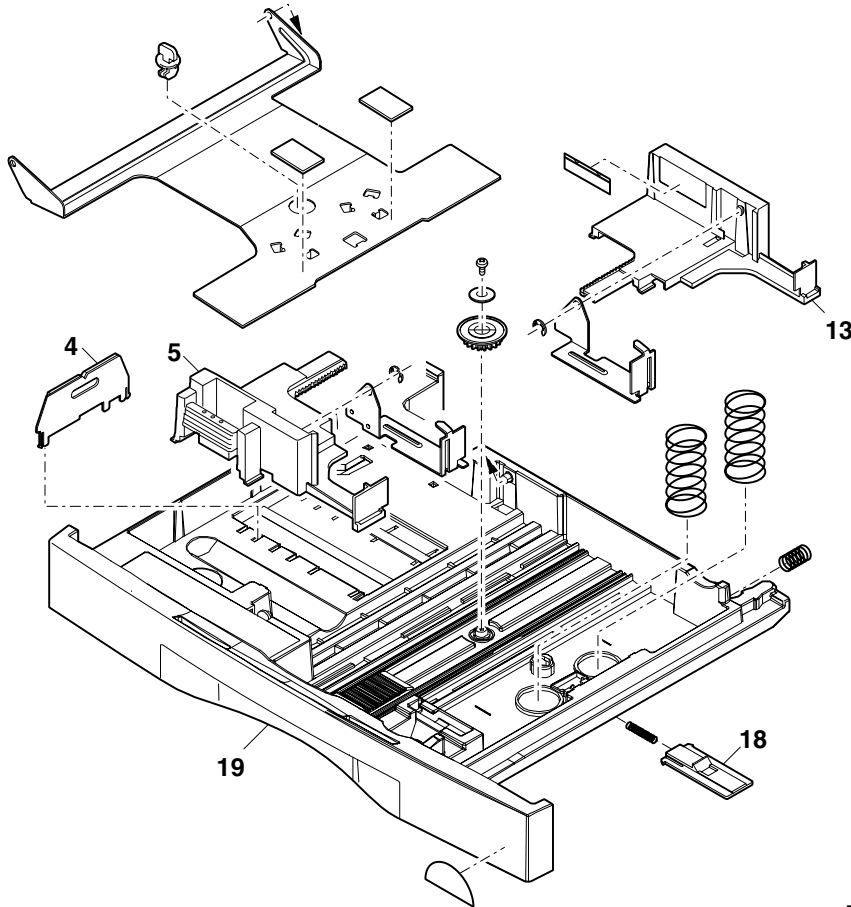


PRP01819

24 250 sheets tray

NO.	PARTS CODE	PRICE RANK	NEW MARK	PART RANK	DESCRIPTION
4	LPLTM2642FCG2	AD		C	Tray rear plate
5	LPLTP5107FCZ1	AG		C	250 tray side plate F
13	LPLTP5108FCZ1	AG		C	250 tray side plate R
18	LSTPP0161FCZ1	AB		C	Rotation plate stopper
19	GCASP0001QSJ3	AZ		D	250 Tray case

24 250 sheets tray

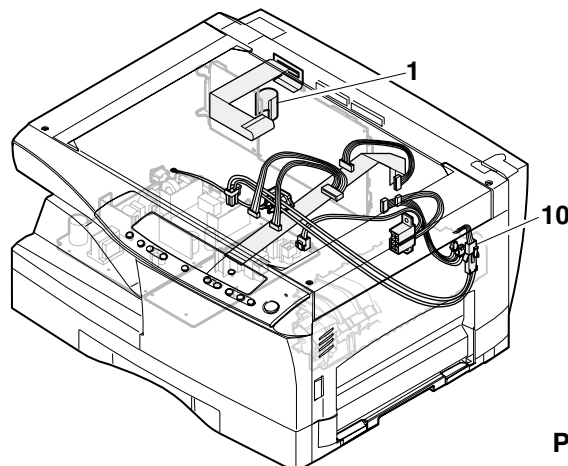


PRP01820

25 Harness

NO.	PARTS CODE	PRICE RANK	NEW MARK	PART RANK	DESCRIPTION
1	DHAI-0283QSZZ	AD		C	MCU-I/F harness (AL-1641CS/AL-1645CS)
10	DHAI-0278QSZ1	AK		C	HL harness 2 (100V Series)

25 Harness

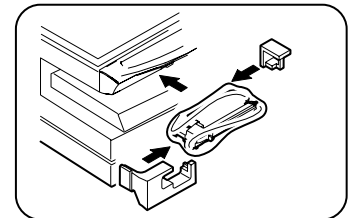
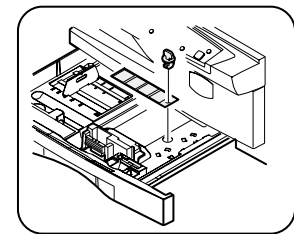
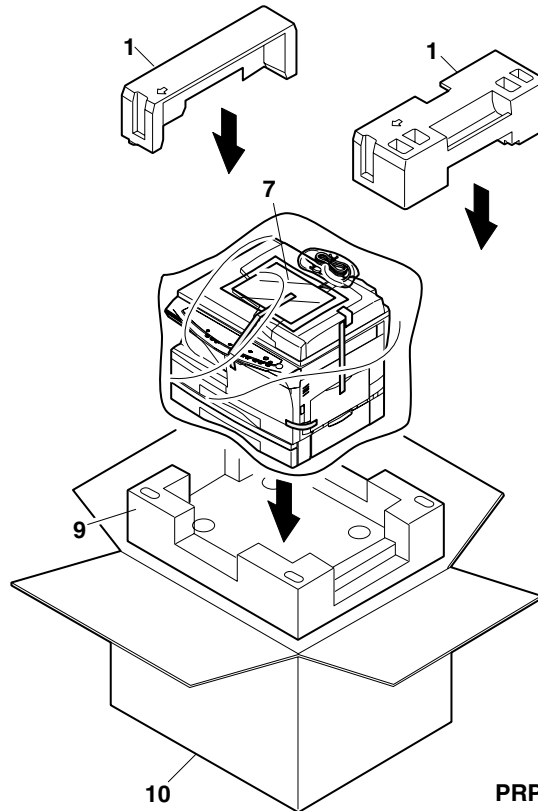
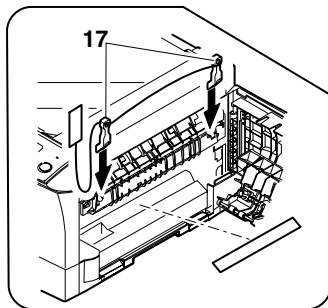
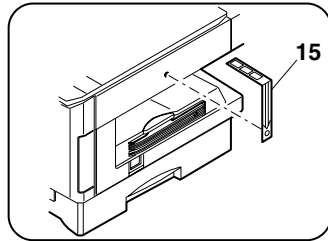
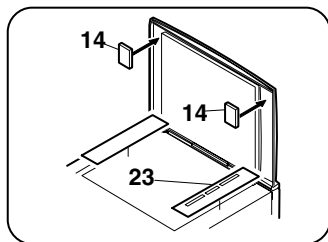


PRP01821

28 Packing material & accessories

NO.	PARTS CODE	PRICE RANK	NEW MARK	PART RANK	DESCRIPTION
1	SPAKA0409QSZZ	AR		D	Top packing SPF (AL-1631/AL-1641CS)
	SPAKA0408QSZZ	AN		D	Top packing SPF (AL-1645CS)
7	TINSE1161QSZZ	AS	N	D	Operation manual (AL-1631/AL-1641CS)
	TINSS1172QSZZ	AY	N	D	Operation manual (AL-1645CS)
9	SPAKA0406QSZZ	AS		D	Bottom packing (AL-1631/AL-1641CS)
	SPAKA0405QSZZ	AN		D	Bottom packing (AL-1645CS)
10	SPAKC0403RS20	AY	N	D	Packing case (AL-1631)
	SPAKC0403RS21	AY	N	D	Packing case (AL-1641CS)
	SPAKC0402RS35	AY	N	D	Packing case (AL-1645CS)
14	SPAKA0064RSZ1	AC		D	OC packing(SPF) (AL-1631/AL-1641CS)
	SPAKA0051RSZZ	AC		D	OC packing(SPF) (AL-1645CS)
15	TTAG-0006QSZ1	AD		D	Scanner fixing tag JAG
17	CLEVP0016QS02	AF		C	Pressure block lever
23	SPAKA0432QSZZ	AC		D	SPF protect sheeth JAG (AL-1631/AL-1641CS)
102	CDSKA0019QS39	BC	N	D	CD-ROM (AL-1641CS)
103	CDSKA0019QS40	AN	N	D	CD-ROM (AL-1645CS)
104	SSAKA0430QCZZ	AA		D	Vinyl bag(80×450) (AL-1645CS AB Series Panel only)

28 Packing material & accessories



PRP01822

29 Operation PWB

NO.	PARTS CODE	PRICE RANK	NEW MARK	PART RANK	DESCRIPTION
3	QSW-P0001ESZZ	AC		B	Tact swtch(SKQNA010) [CLK,PSW,1UPK,10UPK,ZUPK]
	QSW-P0001ESZZ	AC		B	Tact swtch(SKQNA010) [ZDWK,MAGK,CRSK,BPK,EXUPK]
	QSW-P0001ESZZ	AC		B	Tact swtch(SKQNA010) [EXDWK,EXMODK]
	QSW-P0001ESZZ	AC		B	Tact swtch(SKQNA010) (AL-1641CS/AL-1645CS)[OLK,DUFK,SCNK]
9	VHD1SS133+-1	AA		B	Diode(1SS133) [D301-310]
12	VHP1LHLE-002A	AC		B	LED(Red)(1LHLE-002A) [SJAL,TPL,DPL,JPL]
13	VHP1LHLE-002A	AC		B	LED(Green)(LTL-1LHLE-002A) [RPL,PML,ZPL,2ENR,1ENR]
	VHP1LHLE-002A	AC		B	LED(Green)(LTL-1LHLE-002A) [NOR,1RE,2RE,3RE,SPFL]
	VHP1LHLE-002A	AC		B	LED(Green)(LTL-1LHLE-002A) [CS1L,BPL,EXD,EXN]
	VHP1LHLE-002A	AC		B	LED(Green)(LTL-1LHLE-002A) [EXL,AE,ME,PE]
	VHP1LHLE-002A	AC		B	LED(Green)(LTL-1LHLE-002A) (AL-1641CS/AL-1645CS)[ONLL,SCNL,DA1,DA2]
16	VRS-CY1JD102J	AA		C	Resistor(1/16W 1.0KΩ ±5%) [R317,335,338,340]
	VRS-CY1JD102J	AA		C	Resistor(1/16W 1.0KΩ ±5%) [R352,357,360]
	(Unit)				
901	CPWBF0113QSF4	BB	N	E	Operation PWB (AL-1631)
	CPWBF0113QSF5	BB	N	E	Operation PWB (AL-1641CS/AL-1645CS)

30 MCU PWB

NO.	PARTS CODE	PRICE RANK	NEW MARK	PART RANK	DESCRIPTION
8	QCNCM2401SC0D	AC		C	Connector(4pin) [CN106,CN103]
24	RCRUB0013QSZ1	AN		B	Cristal(24MHz) [X102]
26	RFILZ0004QSZZ	AM		C	Filter(ZJSR5101-223) [L101,L113,L123,L124,L125]
	RFILZ0004QSZZ	AM		C	Filter(ZJSR5101-223) [L126,L127]
36	TLABZ4201FCZZ	AC		D	Version label [For IC111]
41	VCCCCZ1HH470J	AA		C	Capacitor(50WV 47pF) [C126,C315,C316,C317,C318]
	VCCCCZ1HH470J	AA		C	Capacitor(50WV 47pF) [C319,C320,C321,C166,C341]
49	VCKYCY1HB104K	AA		C	Capacitor(50WV 0.10μF) [C277,C313,C314,C339,C209,C210]
	VCKYCY1HB104K	AA		C	Capacitor(50WV 0.10μF) [C213,C334,C335,C301]
51	VCKYCZ1CF104Z	AB		C	Capacitor(16WV 0.10μF) [C101,C107,C108,C110,C111]
	VCKYCZ1CF104Z	AB		C	Capacitor(16WV 0.10μF) [C112,C113,C114,C115,C124]
	VCKYCZ1CF104Z	AB		C	Capacitor(16WV 0.10μF) [C128,C129,C130,C131,C132]
	VCKYCZ1CF104Z	AB		C	Capacitor(16WV 0.10μF) [C133,C134,C135,C136,C137]
	VCKYCZ1CF104Z	AB		C	Capacitor(16WV 0.10μF) [C138,C140,C141,C142,C143]
	VCKYCZ1CF104Z	AB		C	Capacitor(16WV 0.10μF) [C144,C145,C146,C147,C148]
	VCKYCZ1CF104Z	AB		C	Capacitor(16WV 0.10μF) [C149,C150,C151,C152,C153]
	VCKYCZ1CF104Z	AB		C	Capacitor(16WV 0.10μF) [C154,C155,C156,C157,C158]
	VCKYCZ1CF104Z	AB		C	Capacitor(16WV 0.10μF) [C159,C160,C161,C162,C164]
	VCKYCZ1CF104Z	AB		C	Capacitor(16WV 0.10μF) [C168,C170,C173,C176,C177]
	VCKYCZ1CF104Z	AB		C	Capacitor(16WV 0.10μF) [C178,C179,C180,C181,C182]
	VCKYCZ1CF104Z	AB		C	Capacitor(16WV 0.10μF) [C183,C184,C185,C187,C189]
	VCKYCZ1CF104Z	AB		C	Capacitor(16WV 0.10μF) [C193,CA95,C196,C198,C199]
	VCKYCZ1CF104Z	AB		C	Capacitor(16WV 0.10μF) [C205,C207,C220,C260,C283]
	VCKYCZ1CF104Z	AB		C	Capacitor(16WV 0.10μF) [C285,C288,C289,C308,C323]
56	VHDKDS121+-1	AC		B	Diode(KDS121) [D116,D117,D118,D125,D126]
	VHDKDS121+-1	AC		B	Diode(KDS121) [D130,D131,D132,D136]
76	VHIP2010ASR-1	AN		B	IC(P2010ASR) [IC101]
90	VRS-CY1JD103J	AA		C	Resistor(1/16W 10KΩ ±5%) [R108,R111,R112,R115,R122]
	VRS-CY1JD103J	AA		C	Resistor(1/16W 10KΩ ±5%) [R123,R124,R125,R126,R127]
	VRS-CY1JD103J	AA		C	Resistor(1/16W 10KΩ ±5%) [R128,R137,R140,R141,R146]
	VRS-CY1JD103J	AA		C	Resistor(1/16W 10KΩ ±5%) [R147,R148,R172,R189,R208]
	VRS-CY1JD103J	AA		C	Resistor(1/16W 10KΩ ±5%) [R209,R210,R212,R213,R221]
	VRS-CY1JD103J	AA		C	Resistor(1/16W 10KΩ ±5%) [R222,R224,R228,R233,R234]
	VRS-CY1JD103J	AA		C	Resistor(1/16W 10KΩ ±5%) [R238,R242,R248,R249,R250]
	VRS-CY1JD103J	AA		C	Resistor(1/16W 10KΩ ±5%) [R266,R263,R269,R271,R283]
109	VRS-CZ1JD562J	AA		C	Resistor(1/16W 5.6KΩ ±5%) [R284,R290,R286]
120	VRS-HT3DA101J	AA		C	Resistor(2W 100Ω ±5%) [R239]
126	RFILN0043FCZZ	AC		C	Filter(ZJSR5101-102) [R225]
127	VCCCCY1HH470J	AA		C	Capacitor(50WV 47PF) [L103,L110]
128	VHDKDS120+-1	AC		B	Diode(KDS120 RTK) [C336]
	VHDKDS120+-1	AC		B	Diode(KDS120 RTK) [D121,D122,D123,D128,D129]
129	VSKTC3198+-1	AB		B	Transistor(KTC3198+) [D133,D134,D135,D137]
	(Unit)				[Q109]
901	CPWBX0121QS49	BY	N	E	MCU PWB

■ Index

PARTS CODE	NO.	PRICE RANK	NEW MARK	PART RANK
[C]				
CBTN-0050QS01	8- 5	AE		E
CBTN-0050QS02	8- 5	AF		E
CDSKA0019QS39	28-102	BC	N	D
CDSKA0019QS40	28-103	AN	N	D
CFiX-0021QS06	1- 13	AG		D
CFiX-0021QS11	1- 13	AH		D
CFRM-0011RS58	7-901	BF		E
CLEVP0016QS02	28- 17	AF		C
CPLTM0042RS55	17-901	BM		E
CPLTM0042RS56	17-901	BM		E
CPNLH0023QS0D	8- 1	AR	N	D
CPNLH0023QS0E	8- 1	AR	N	D
CPNLH0023QS0F	8- 1	AT	N	D
CPNLH0023QS0G	8- 1	AT	N	D
CPWBF0113QSF4	29-901	BB	N	E
"	8- 8	BB	N	E
CPWBF0113QSF5	29-901	BB	N	E
"	8- 8	BB	N	E
CPWBF0114QSE1	15- 5	BA		E
CPWBX0121QS49	15- 4	BY	N	E
"	30-901	BY	N	E
CSW-M0016RS51	19- 4	AG		E
CTME-0229FC04	16- 11	AG		C
[D]				
DHAi-0268QSZ1	10- 40	AH		C
DHAi-0278QSZ1	16- 16	AK		C
"	25- 10	AK		C
DHAi-0282QSZ1	11- 2	AG		C
"	12- 14	AG		C
DHAi-0283QSZZ	15- 7	AD		C
"	25- 1	AD		C
DUNT-0276QS11	10- 6	BT		E
[G]				
GCAB-0004QSJ1	1- 18	AX		D
GCAB-0026QSJ2	1- 18	AZ		D
GCAB-0061QSZ1	1- 10	AK		D
GCAB-0062QSZ2	1- 17	AN		D
GCAB-0062QSZ3	1- 17	AL		D
GCASP0001QSJ3	24- 19	AZ		D
GCOV-0045QSZ2	1- 12	AG		D
GCOV-0045QSZ3	1- 12	AG		D
GCOVH0004QSJ1	2- 2	AX		D
[L]				
LBNDJ0037FCZ1	16- 17	AA		C
LFiX-0025QSZZ	10- 47	AG	N	C
LFRM-0005QSZ1	16- 30	AQ		D
LPLTM0043QSZZ	9- 5	AD		C
LPLTM0132QSZZ	9- 5	AH		C
LPLTM0133QSZ1	13- 31	AE		C
LPLTM2642FCG2	24- 4	AD		C
LPLTP0011QSJ2	5- 2	AH		C
LPLTP0012QSJ2	5- 3	AH		C
LPLTP5107FCZ1	24- 5	AG		C
LPLTP5108FCZ1	24- 13	AG		C
LRALP0001QSJ2	14- 34	AM		C
LSOU-0002QSJ1	21- 48	AL		D
LSOU-0003QSJ1	21- 49	AH		D
LSTPP0001QSZ1	7- 5	AD		C
LSTPP0161FCZ1	24- 18	AB		C
[M]				
MHNG-0002QSZ1	21- 40	AC		C
MLOKZ0004QSZ1	10- 10	AD		C
MLOKZ0004QSZZ	10- 10	AD		C
MSPRC0050QSZZ	9- 25	AB		C
MSPRC0053QSZ1	17- 3	AC		C
MSPRC0330QSZZ	13- 8	AC		C
[N]				
NBLT-0005QSZZ	13- 5	AH		B
NBLTT0003QSZ1	6- 27	AF		B
NBLTT0004QSZ1	13- 37	AF		B
NBLTT0006QSZ1	6- 15	AE		B
NFANP0005QSZ2	13- 12	AU		B
NGERH0008QSZ3	17- 16	AL		C
NGERH0048QSZZ	9- 22	AE		C
NGERH0050QSZZ	17- 4	AD		C
NGERH0051QSZZ	9- 23	AE		C
NPLYZ0002QSZZ	17- 5	AC		C
NROLi0014QSZ3	16- 21	BA		C

PARTS CODE	NO.	PRICE RANK	NEW MARK	PART RANK
NROLP0025QSZZ	9- 24	AM		C
NROLP1122FCZZ	9- 26	AF		C
NSFTZ0006QSZZ	9- 15	AG		C
[P]				
PCOVP0019QSJ2	21- 44	AL		D
PCUSS0025QSZ1	5- 34	AQ		D
PDUC-0005QSZ2	10- 22	AD	N	C
PGiDM0006QSZ3	12- 6	AM		C
PGiDM0009QSZ1	13- 25	AG		C
PGiDM0014QSJ1	21- 12	AF		C
PGiDM0024QSZ3	6- 30	AN		C
PGiDM0099QSZ1	10- 18	AH		C
PMLT-0068QSZZ	10- 46	AC		C
PPiPP0008QSZZ	7- 17	AD		C
PSHEZ0155QSZZ	13- 38	AD		C
PSHEZ0156QSZZ	13- 36	AE		C
PSHEZ0367QSZ1	10- 21	AD	N	C
PSHEZ0389QSZ1	10- 39	AK		C
PSHEZ0401QSZ1	10- 44	AG	N	C
PSPAZ0017QSZZ	13- 32	AK		C
PTPE-0056QSZZ	10- 45	AD	N	C
[Q]				
QCNCM2401SC0D	30- 8	AC		C
QSW-B0017QSZZ	14- 26	AF		B
QSW-P0001ESZZ	29- 3	AC		B
[R]				
RCORF0018QSZZ	10- 32	AR		C
RCORF0026QSZZ	15- 31	AE		C
RCRUB0013QSZ1	30- 24	AN		B
RFiLN0043FCZZ	30-126	AC		C
RFiLZ0004QSZZ	30- 26	AM		C
RMOTP0012QSZZ	13- 35	AW		B
[S]				
SPAKA0051RSZZ	28- 14	AC		D
SPAKA0064RSZ1	28- 14	AC		D
SPAKA0405QSZZ	28- 9	AN		D
SPAKA0406QSZZ	28- 9	AS		D
SPAKA0408QSZZ	28- 1	AN		D
SPAKA0409QSZZ	28- 1	AR		D
SPAKA0432QSZZ	28- 23	AC		D
SPAKC0402RS35	28- 10	AY	N	D
SPAKC0403RS20	28- 10	AY	N	D
SPAKC0403RS21	28- 10	AY	N	D
SSAKA0430QCZZ	28-104	AA		D
[T]				
TiNSE1161QSZZ	28- 7	AS	N	D
TiNSS1172QSZZ	28- 7	AY	N	D
TLABZ4201FCZZ	30- 36	AC		D
TTAG-0006QSZ1	28- 15	AD		D
[V]				
VCCCCY1HH470J	30-127	AA		C
VCCCCZ1HH470J	30- 41	AA		C
VCKYCY1HB104K	30- 49	AA		C
VCKYCY1CF104Z	30- 51	AB		C
VHD1SS133+-+1	29- 9	AA		B
VHDKDS120+-+1	30-128	AC		B
VHDKDS121+-+1	30- 56	AC		B
VHiP2010ASR-1	30- 76	AN		B
VHP1LHEE-002A	29- 12	AC		B
VHP1LHLE-002A	29- 13	AC		B
VRS-CY1JD102J	29- 16	AA		C
VRS-CY1JD103J	30- 90	AA		C
VRS-CZ1JD562J	30-109	AA		C
VRS-HT3DA101J	30-120	AA		C
VSKTC3198+-+1	30-129	AB		B
[X]				
XEBSD30P10000	13- 33	AA		C
XEPSD30P08X00	9- 21	AA		C
XHBSE30P06000	13- 34	AA		C

Memo

A series of horizontal dashed lines for writing.

Memo

A series of horizontal dashed lines for writing.

SHARP®

COPYRIGHT © 2003 BY SHARP CORPORATION

All rights reserved.

Printed in Japan.

No part of this publication may be reproduced,
stored in a retrieval system, or transmitted,
in any form or by any means,
electronic; mechanical; photocopying; recording or otherwise
without prior written permission of the publisher.

Trademark acknowledgements

- Microsoft® Windows® operating system is a trademark or copyright of Microsoft Corporation in the U.S.A. and other countries.
- Windows® 95, Windows® 98, Windows® Me, Windows NT® 4.0, Windows® 2000, and Windows® XP are trademarks or copyrights of Microsoft Corporation in the U.S.A. and other countries.
- IBM and PC/AT are trademarks of International Business Machines Corporation.
- Acrobat® Reader Copyright® 1987- 2002 Adobe Systems Incorporated. All rights reserved. Adobe, the Adobe logo, Acrobat, and the Acrobat logo are trademarks of Adobe Systems Incorporated.
- All other trademarks and copyrights are the property of their respective owners.

SHARP CORPORATION
Digital Document System Group
Products Quality Assurance Department
Yamatokoriyama, Nara 639-1186, Japan
2003 November Printed in Japan

Free Manuals Download Website

<http://myh66.com>

<http://usermanuals.us>

<http://www.somanuals.com>

<http://www.4manuals.cc>

<http://www.manual-lib.com>

<http://www.404manual.com>

<http://www.luxmanual.com>

<http://aubethermostatmanual.com>

Golf course search by state

<http://golfingnear.com>

Email search by domain

<http://emailbydomain.com>

Auto manuals search

<http://auto.somanuals.com>

TV manuals search

<http://tv.somanuals.com>