

Data Acquisition System

MTR-5000
MTR-L03

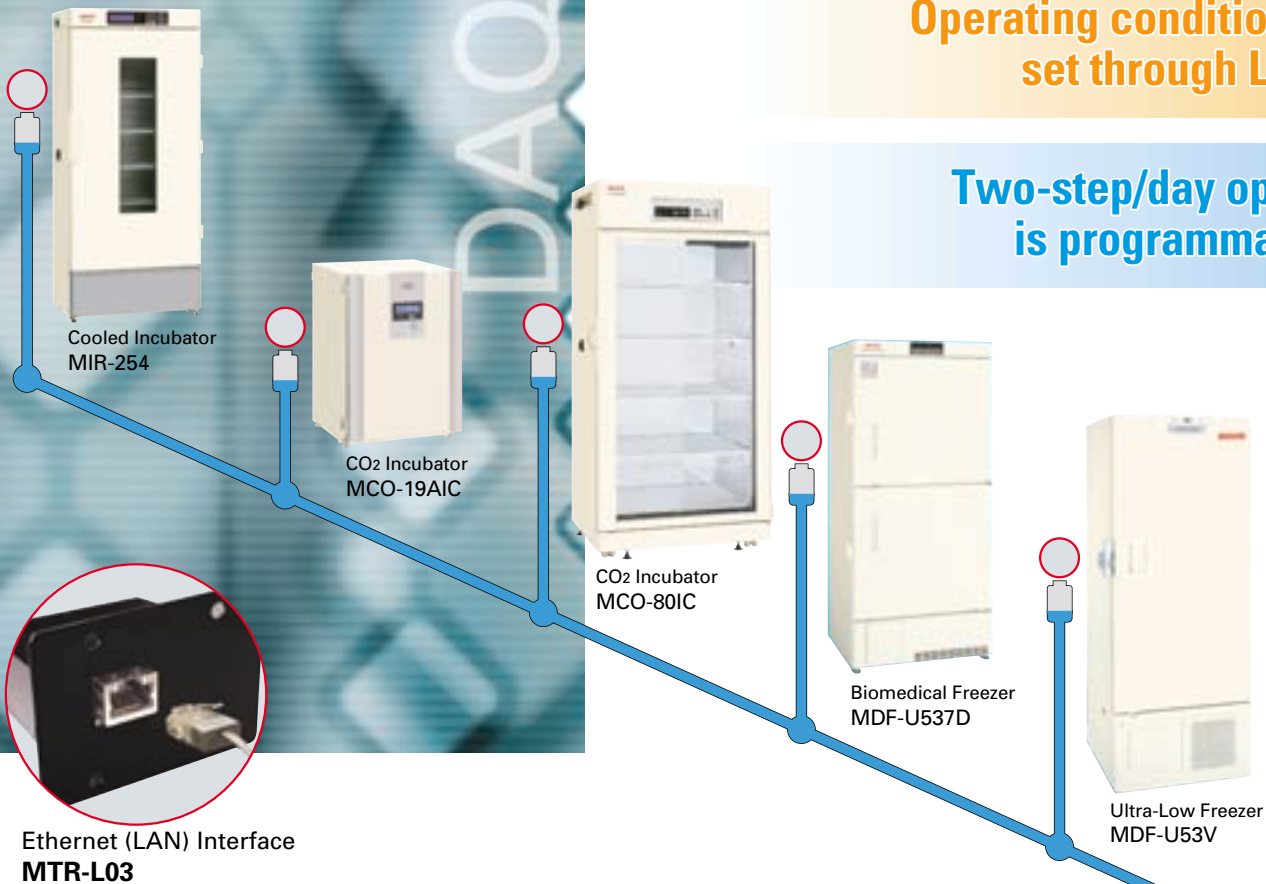
Monitors operating conditions
by PC

Stores operating records
in the PC

Informs a user of abnormality
of device by e-mail

Operating conditions can be
set through LAN.

Two-step/day operation
is programmable.



Connection examples of a monitoring computer and
SANYO biomedical devices to be monitored by LAN*

*For connectable devices, consult with our company.

*Those devices and the monitoring computer are connected using the special
software, MTR-5000.

*A personal computer is not included in this system.

Data Acquisition System

Features

- Device-related information such as temperature, CO₂ and O₂ concentration, and operating condition can be integrately monitored with one LAN-connected personal computer.
Items that can be monitored depend on the connected devices.
- Operating records are stored in sequence in the PC. It is unnecessary to fill in paper records or to enter in a record book. It is easy to convert the data into a graph.
Please note that there is a case in which data must be recorded on a paper.
- Devices can be set up remotely from a distant point, which saves entering a clean room.
When the operating setting can be changed through the network, it is impossible to change the operation setting on the panel of each device.
- Setting the upper/lower limits will cause you to be informed of an abnormality by e-mail if the data is out of the range, and you will also be informed when the system recovers from the abnormality. In addition, the system can be set so that the device conditions will be informed at a designated time whether or not there is an abnormality.
A mail account which can be connected to an SMTP-compatible mail server is required.
- Two-step/day operation to set up two different temperatures is programmable.
For example, energy saving can be expected by changing to different setting temperatures for day and night operations.
- System access is protected by ID/Password.

Main functions



Map Display

Conditions of biomedical devices can be displayed on the map intelligibly. (A device showing a warning is displayed in red.)



Graph Display

Condition change of a selected channel can be displayed on a graph.

Channel List

The condition of each channel (measurement item) is displayed together with the upper and lower limit setting data.



Set Value Information

Set values of SANYO biomedical devices can be changed through the network.

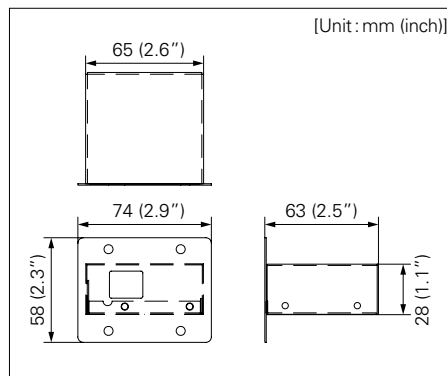
*The above function is only applicable to remote-controllable devices.

Specifications

Model	MTR-L03
Product name	Ethernet (LAN) Interface
Exterior dimensions (W x D x H)	74 x 63 x 58mm (2.9" x 2.5" x 2.3")
Power supply	DC5V (to be supplied from the attachment device)
Output terminal	RJ-45 twist pair cable 8-pin connector
Compatible protocol	TCP/IP *Only static IP (Impossible to use DHCP.)
Note	MTR-L03 is not equipped with sensors for temperature, etc. As information such as in-box temperature, etc., results measured at the sensors of the incubators and freezers are transmitted to the network.
Model	MTR-5000
Product name	SANYO Data acquisition software
No. of devices to be monitored	32 devices at most (up to 100 ch)
Devices to be monitored	SANYO biomedical devices connected to MTR-L03 or MTR-480 (RS232C or RS-485)
Monitoring PC	CPU: Core2DUO or higher
Recommendable specifications	Memory: 1GB or more HDD: 80 GB or more OS: Microsoft Windows XP SP3 (compatible with Windows Vista)

- SANYO cannot guarantee operations of all PCs satisfying the above recommendable specifications.
 - If other software is installed in a PC in which this software was installed, information may be deleted due to malfunction.
- Caution:** SANYO guarantees the product under certain warranty conditions. SANYO in no way shall be responsible for any loss of content or damage to content.
- Appearance and specifications are subject to change without notice.

Dimensions MTR-L03



Note:

All screen images shown in the catalog are composite images. In the unlikely event of a mechanical failure, the contents of the incubator and any recorded data cannot be guaranteed.

SANYO Electric Co., Ltd., Biomedical Division, Gunma is certified for:

Quality management system: ISO9001 / Medical devices quality management system: ISO13485 / Environmental management system: ISO14001

Distributed by:

SANYO

SANYO Electric Co., Ltd.
Biomedical Division
<http://biomedical.sanyo.com/>

©2009 SANYO Printed in Japan 2009.7 MA
SHR147

Free Manuals Download Website

<http://myh66.com>

<http://usermanuals.us>

<http://www.somanuals.com>

<http://www.4manuals.cc>

<http://www.manual-lib.com>

<http://www.404manual.com>

<http://www.luxmanual.com>

<http://aubethermostatmanual.com>

Golf course search by state

<http://golfingnear.com>

Email search by domain

<http://emailbydomain.com>

Auto manuals search

<http://auto.somanuals.com>

TV manuals search

<http://tv.somanuals.com>