

*Rosewill*<sup>®</sup>



**SERVER RSV-S4**  
**USER Manual**

## Introduction

RSV-S4 can allow one SATA II 3Gbps port to communicate and connect to four (or five) SATA II 3Gbps hard drives by one eSATA single-lane cable. With Rosewill HDD controller RC-213 (Included in box) and RSV-S4, you can construct a RAID 0/1/0+1/5 data storage system to maximum your drivers size up to 2TB (500GB X4). With RSV-S4/RC-213, you can enjoy huge multimedia storage space and data protection at the same time.

### Important information for User:

\*\*\*\*Normally old SATA II Host adapter bios might NOT support Port Multiplier system (like RSV-S4), but SATA II driver does support. So the PC system might NOT recognize the multiple disks until OS boots again. If PC can't find all workable SATA hard drives in RSV-S4, then this could be an issue of the SATA host controller. Please make sure to partition and format the hard drive completely.

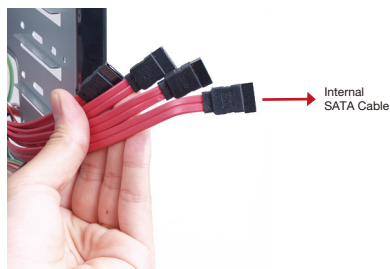
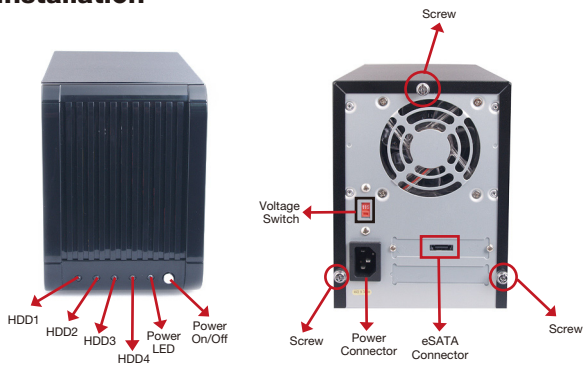
### 1.1. Features

- Shielded and durable eSATA connector for host connection.
- Full support for FIS-based switching and command-based switching SATA host controllers.
- Advanced data aggregation architecture for ultra-fast read and write operations with FIS-based switching controllers.
- Auto-negotiation support for 1.5Gbps and 3.0Gbps SATA.
- Compliant with SATA II external specification.
- Work with SiliconImage SiI3124 PCI-X and SiI3132 PCI-e Host controller. RSV-S4 can only work with SiI3124 and SiI3132 host controller. If you connect RSV-S4 to your system and catch only one hard drive, this means your host controller is not compatible with RSV-S4. We recommend you use SiI3124 or SiI3132 (RC-213/RC-214) for your host controller only.
- 4 and 5 LEDs for devices & Power On.
- RSV-S4 can support total drives size larger than 1,000 TB.  
**But please remember the restriction of PC system for a single drive is 2TB.** This means PC can't support more than 2TB for a single drive. If you connect four 2TB hard drives in Windows without setting a RAID, system can catch four 2TB hard drives without any issue. If you connect four 2TB hard drives in Windows with a RAID structure, you will only catch 2TB for each single RAID drive.
- Full 150 Watt Built-in Power Supply: Input voltage: 90V to 130V AC (or 210V to 260V) - Frequency: 50 or 60hz - power supply.
- In any case, you must set the SATA Host controller correctly to catch RSV-S4. If you install the host controller correctly, no software driver is needed for Windows 98, ME, 2000, 2003, XP and Mac OS.
- Compact Size 4Bay Enclosure: 135(W) x 180(H) x 255(D) mm.
- 1-to-5 native SATA II 3Gbps Port Multiplier inside.

## 1.2. Package Contents

- Multi-sure System
- This User's Manual
- eSATA External Cable
- UL certified Power Cord
- RC-213 Hard Drive Controller
- RC-213 User Manual
- Screws set
- Internal SATA Cables

## Installation



**Step 1**

Unscrew three screws of MultiBay System.



2-b

**Step 2**

Open the cover of MultiBay System.

2-a



2-c

**Step 3**

Open the Front door of MultiBay System.

**Step 4**

Install HDDs.



Internal SATA cables may block the installation of the lowest hard drive.

Please press down the cables as picture to avoid this issue.



**Step 5**

Fasten the screws to HDDs.

**Step 6**

Connect SATA and Power Cables to Hard Drives and Bridge Board.

6-a



6-b



6-c



6-d



6-e



**Step 7**

Close the Front door of MultiBay System.

**Step 8**

Fasten the cover of MultiBay System.

8-a



8-b

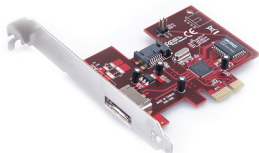
**Step 9**

Switch the correct AC Power Input (115V or 230V)

**Step 10**

Please install RC-213 according to RC-213 user manual .

You need to install driver correctly in Windows before connecting to RSV-S4.



Connect eSATA cable to RC-213



**Step 11**

Plug eSATA cable to RSV-S4.

**Step 12**

Plug power cord to RSV-S4.

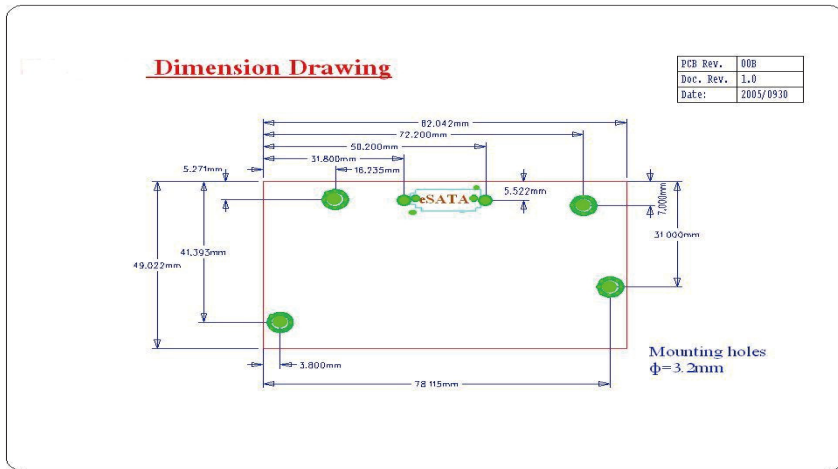
**Step 13**

Turn on the power of RSV-S4.

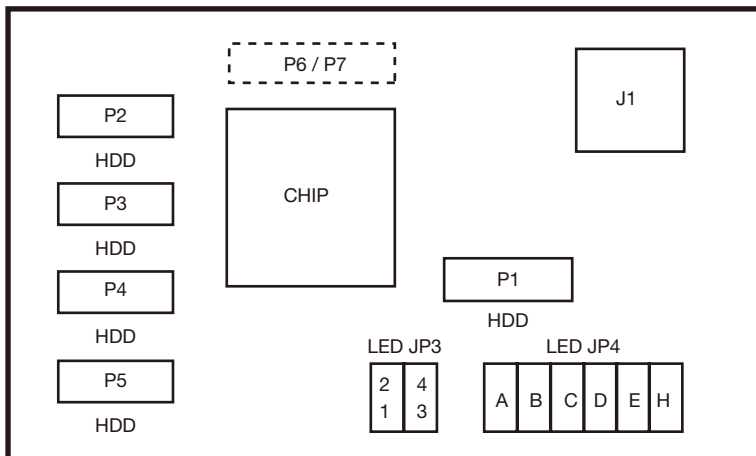
**Step 14**

Turn on the computer.  
Enter RC-213 SiliconImage RAID BIOS to complete RAID setting. ( If you don't want to set any RAID, please skip this step and ENTER Windows directly.)  
Please Read RC-213 user manual carefully for more RAID setting information.

## Bridge Board Dimension & Placement



## Bridge Board Jumper and LED Pin Header





LED#	LED Mode	Description
H	Host LED	OFF : No function. ON : Bridge board working & host port connecting. Blink : Host port accessing.
A ~ E	HDD LED	OFF : No function. ON : Bridge board working & host port connecting & Hard drive connecting. Blink : Hard drive accessing.
12(JP3)	Power LED	ON : Bridge board Power on.
34(JP3)	System LED	ON : Bridge board working.

Thank you for purchasing a quality Rosewill Product.

Please register your product at : [www.rosewill.com](http://www.rosewill.com) for complete warranty information and future support for your product.

*Rosewill*<sup>®</sup>

[www.rosewill.com](http://www.rosewill.com)

## Free Manuals Download Website

<http://myh66.com>

<http://usermanuals.us>

<http://www.somanuals.com>

<http://www.4manuals.cc>

<http://www.manual-lib.com>

<http://www.404manual.com>

<http://www.luxmanual.com>

<http://aubethermostatmanual.com>

Golf course search by state

<http://golfingnear.com>

Email search by domain

<http://emailbydomain.com>

Auto manuals search

<http://auto.somanuals.com>

TV manuals search

<http://tv.somanuals.com>