

RF-Link

www.rflinkusa.com

QUICK INSTALL GUIDE

Model: APW-1000

5.8GHz Outdoor RF Power Amplifier

1. PACKAGE CONTENTS :

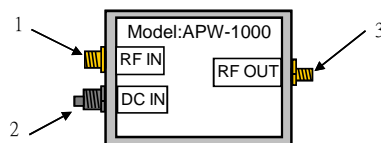
Make sure that all units shown as below are enclosed, please contact your dealer if anything is missing.



- 1 -- APW-1000 Outdoor RF Amplifier *1
- 2 -- Waterproof Power Cable(2 m) *1
- 3 -- Cable (SMA male, 25") *1
- 4 -- Power adapter (input: 120V DC, 60Hz, 9.7W output: 12V DC, 500mA) *1

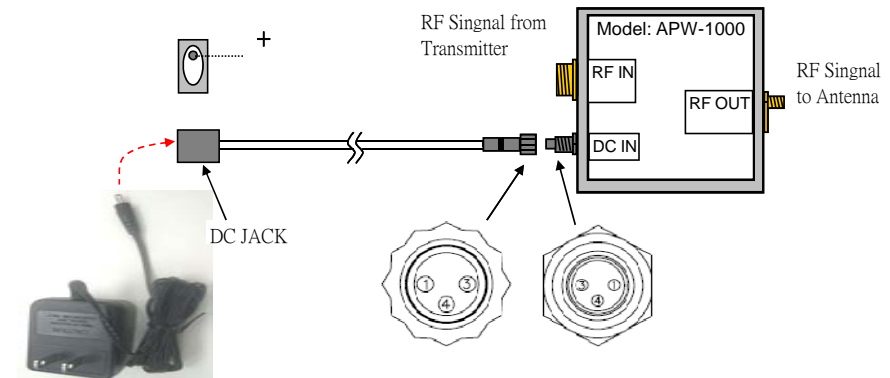
2. FUNCTION

- 1 -- SMA FEMALE ;RF Signal Input
- 2 -- DC power input ,connect to power supply (12V~28V)
- 3 -- SMA FEMALE ;RF Signal Output



3. SETUP GUIDE

1. Connect transmitter antenna to APW-1000 (via "RF OUT).
2. Connect SMA cable to transmitter (via "RF IN:).
3. Connect Power adapter(120VAC / 12VDC 500mA) to DC JACK



4. SPECIFICATION :

Operating frequency range	5.0--6.0 GHz
P1dB	26 dBm
Power gain	18 dB typical
Match impedance	50 Ohm
Input VSWR	2:1
Supply voltage	+12 ~ +28 VDC
Supply current	< 380 mA
Dimension	125 mm * 80 mm * 40 mm
Operating temperature	-20 to +65 °C
Storage temperature	-40 to +85 °C
Waterproof Rate	IP 65

NOTE:

1. Keep the coaxial cable between the APW-1000 and Transmitter as short as possible.
2. Keep the coaxial cable between the APW-1000 and Antenna as short as possible.
3. Make certain all connections are tight.
4. Make certain all screws has locked on the cover.

Free Manuals Download Website

<http://myh66.com>

<http://usermanuals.us>

<http://www.somanuals.com>

<http://www.4manuals.cc>

<http://www.manual-lib.com>

<http://www.404manual.com>

<http://www.luxmanual.com>

<http://aubethermostatmanual.com>

Golf course search by state

<http://golfingnear.com>

Email search by domain

<http://emailbydomain.com>

Auto manuals search

<http://auto.somanuals.com>

TV manuals search

<http://tv.somanuals.com>