



www.regency-fire.com

U41 Gas Insert

Owners & Installation Manual



MODELS: U41-NG3 Natural Gas U41-LP3 Propane

WARNING:

If the information in these instructions are not followed exactly, a fire or explosion may result causing property damage, personal injury or loss of life.

FOR YOUR SAFETY

Do not store or use gasoline or other flammable vapors and liquids in the vicinity of this or any other appliance.

Installation and service must be performed by a qualified installer, service agency or the gas supplier.

FOR YOUR SAFETY

What to do if you smell gas:

- ✱ Do not try to light any appliance
- ✱ Do not touch any electrical switch: do not use any phone in your building.
- ✱ Immediately call your gas supplier from a neighbour's phone. Follow the gas supplier's instructions.
- ✱ If you cannot reach your gas supplier, call the fire department.

Tested by:



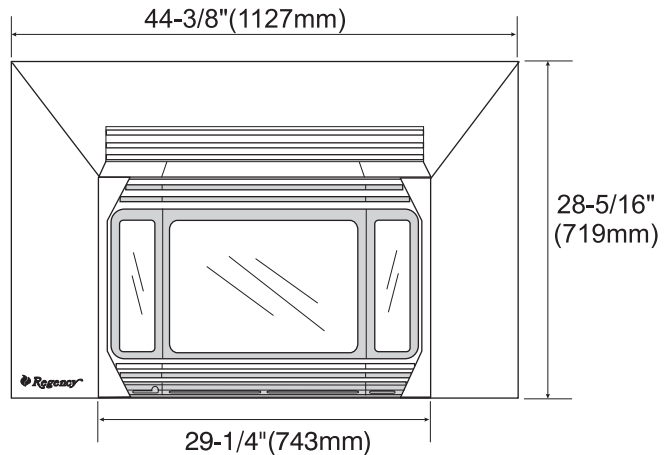
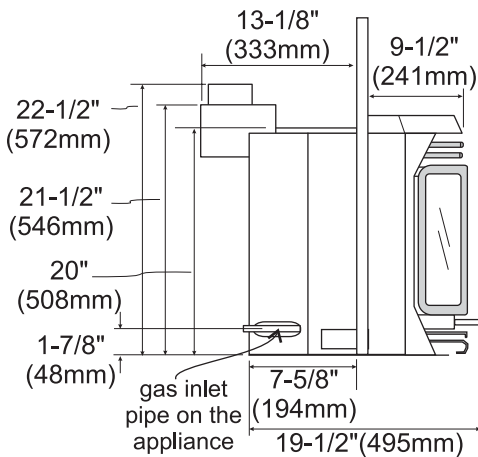
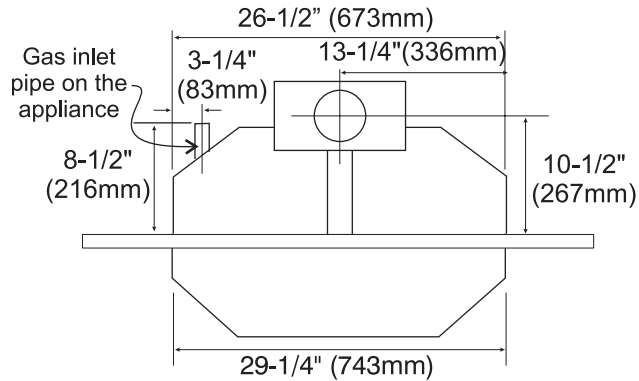
Installer: Please complete the details on the back cover and leave this manual with the homeowner.

Homeowner: Please keep these instructions for future reference.


REGENCY GAS FIREPLACE INSERT

TO THE NEW OWNER

Congratulations! You are the owner of a state-of-the-art Gas Insert by FIREPLACE PRODUCTS INTERNATIONAL LTD. The Regency ULTIMATE Gas Fireplace Series of hand crafted appliances has been designed to provide you with all the warmth and charm of a fireplace, at the flick of a switch. The models U41-NG3 and U41-LP3 of this series have been approved by Warnock Hersey for both safety and efficiency. As it also bears our own mark, it promises to provide you with economy, comfort, and security for many trouble free years to follow. Please take a moment now to acquaint yourself with these instructions and the many features of your Regency Fireplace.




Note: Oversize faceplate 44-1/4" x 31-1/8"
Extra Oversize Faceplate 50-1/4" x 35-1/8"



NATIONAL FIREPLACE INSTITUTE
CERTIFIED
www.nficertified.org

We recommend that our products be installed and serviced by professionals who are certified in the U.S. by the National Fireplace Institute® (NFI) or in Canada by Wood Energy Technical Training (WETT).



Wood Energy
Technical Training
www.wettinc.ca

TABLE OF CONTENTS


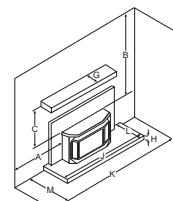
REGENCY ULTIMATE GAS FIREPLACE INSERT

	Page		Page
SAFETY LABEL		OPERATING INSTRUCTIONS	
Safety Labels.....	4	Operating Instructions	15
REQUIREMENTS		Lighting Procedure	15
MA Code - CO Detector		Shutdown Procedure	15
(for state of Massachusetts only)	5	First Fire	15
INSTALLATION REQUIREMENTS		Automatic Convection Fan Operation	16
For your safety	6	Copy of Lighting Plate Instructions.....	16
Gas Pipe Testing	6	Normal Operating Sounds of Gas Appliances..	17
Specifications	6	MAINTENANCE	
Installation into a Factory Built Fireplace.....	6	Maintenance	17
Installation into Zero Clearance Fireplace.....	6	Log Replacement	18
Before You Start	6	Gold Plated Doors	18
General Safety Information	6	Door Gasket and Glass Gasket.....	18
Materials Required	6	Latch Adjustment	18
Installation Checklist.....	7	Glass Replacement	18
Clearances		- Mitred Door.....	18
-Minimum Fireplace Clearances	7	- Panel Door	18
-Clearances to Combustibles	7	Fan Maintenance.....	19
-Clearances to Combustible Mantels.....	8	-Replacing fan	19
System Data Table	8	Parts List	20
High Elevation	8	WARRANTY	
Gas Connection.....	9	Warranty	23
Draft Hood Connection.....	9		
Combustion and Ventilation Air	9		
Venting	9		
Gas Pressure Test	10		
Aeration System	10		
Test For Flue Spillage.....	10		
Faceplate & Trim Installation	11		
Log Installation	12		
Door Installation & Door Latches.....	12		
Optional Remote Control Installation.....	13		
Optional Wall Thermostat Installation.....	13		
Final Check	13		
Wiring Diagram.....	14		

SAFETY LABEL

This is a copy of the label that accompanies each Regency ULTIMATE Gas Insert. We have printed a copy of the contents here for your review. The safety label is located on the right side door panel.

NOTE: Regency units are constantly being improved. Check the label on the unit and if there is a difference, the label on the unit is the correct one.

Duplicate Serial No. 225	
DO NOT REMOVE THIS LABEL	
	
Serial No. 225	
Listed: Vented Gas Fireplace Heater Certified: For Canada & USA Tested to: CAN/CGA 2.17-M91, ANSI Z21.88b-2003/CSA 2.33b-2003 Report No. 476-1042 & 476-1752 (Jan. 2000)	
NATURAL GAS FIREPLACE INSERT Model U41-NG3: Altitude 0-2000 ft (0-610 m)	
Min. Supply Pressure	5" WC/C.E. (1.25kPa)
Manifold Pressure High	3.8" WC/C.E. (0.94kPa)
Manifold Pressure Low	1.1" WC/C.E. (0.27kPa)
Orifice Size	#32 DMS
Altitude	0-2000 ft/pi (0-610m)
Maximum Input	38,000 Btu/h (11.14Kwh)
Minimum Input	20,000 Btu/h (5.86Kwh)
NATURAL GAS FIREPLACE INSERT Model U41-NG3: Field Convertible for Altitude 2000-4500 ft (610-1370 m). Use Kit #610-975 (Report No. 476-1299)	
Min. Supply Pressure	5" WC/C.E. (1.25kPa)
Manifold Pressure High	3.8" WC/C.E. (0.94kPa)
Manifold Pressure Low	1.1" WC/C.E. (0.27kPa)
Orifice Size	#33 DMS
Altitude	2000-4500 ft/pi (610-1370m)
Maximum Input	34,000 Btu/h (9.96Kwh)
Minimum Input	18,000 Btu/h (5.28kwh)
PROPANE GAS Model U41-LP3: 0-2000 ft (0-610 m) ONLY	
Min. Supply Pressure	12" WC/C.E. (3.00kPa)
Manifold Pressure High	11" WC/C.E. (2.74kPa)
Manifold Pressure Low	2.9" WC/C.E. (0.72kPa)
Orifice Size	#50 DMS
Altitude	0-2000 ft/pi (0-610m)
Maximum Input	38,000 Btu/h (11.14Kwh)
Minimum Input	20,000 Btu/h (5.86Kwh)
This appliance must be installed in accordance with local codes, if any; if not, follow current ANSI Z223.1 / CAN/CGA-B149. This vented gas fireplace heater is not for use with air filters. NOT for direct discharge without duct connections. NOT FOR USE WITH SOLID FUEL. Electrical Supply 115V, 1.13A, 60Hz. WARNING: This fireplace has been converted for use with a gas fireplace insert only and cannot be used for burning wood or solid fuels unless all original parts have been replaced and the fireplace re-approved by the authority having jurisdiction.	
MINIMUM CLEARANCES TO COMBUSTIBLES: FROM HEATER	
Side Wall:	A 7.5" (190mm)
Ceiling:	B 35" (890mm)
Mantel:	C 11" (280mm)
Mantel Width:	G 5.5" (140mm)
Alcove Width:	K 48" (1120mm)
Max. Alcove Depth:	M 36" (915mm)
	
NON-COMBUSTIBLE HEARTH EXTENSION	
	Hearth Height (H) Hearth Depth (L)
Option #1:	4.0" (100mm) 16" (405mm)
Option #2:	0.5" (15mm) 24" (610mm)
Hearth Width (J)	40" (1015mm)
FPI Fireplace Products International Ltd. Delta, B.C.	
Made in CANADA	918-467

For the State of Massachusetts, installation and repair must be done by a plumber or gasfitter licensed in the Commonwealth of Massachusetts.

For the State of Massachusetts, flexible connectors shall not exceed 36 inches in length.

For the State of Massachusetts, the appliances individual manual shut-off must be a t-handle type valve.

The State of Massachusetts requires the installation of a carbon monoxide alarm in accordance with NFPA 720 and a CO alarm with battery back up in the same room where the gas appliance is installed.

MA Code - CO Detector (for the State of Massachusetts only)

5.08: Modifications to NFPA-54, Chapter 10

(2) Revise 10.8.3 by adding the following additional requirements:

(a) For all side wall horizontally vented gas fueled equipment installed in every dwelling, building or structure used in whole or in part for residential purposes, including those owned or operated by the Commonwealth and where the side wall exhaust vent termination is less than seven (7) feet above finished grade in the area of the venting, including but not limited to decks and porches, the following requirements shall be satisfied:

1. **INSTALLATION OF CARBON MONOXIDE DETECTORS.** At the time of installation of the side wall horizontal vented gas fueled equipment, the installing plumber or gasfitter shall observe that a hard wired carbon monoxide detector with an alarm and battery back-up is installed on the floor level where the gas equipment is to be installed. In addition, the installing plumber or gasfitter shall observe that a battery operated or hard wired carbon monoxide detector with an alarm is installed on each additional level of the dwelling, building or structure served by the side wall horizontal vented gas fueled equipment. It shall be the responsibility of the property owner to secure the services of qualified licensed professionals for the installation of hard wired carbon monoxide detectors

a. In the event that the side wall horizontally vented gas fueled equipment is installed in a crawl space or an attic, the hard wired carbon monoxide detector with alarm and battery back-up may be installed on the next adjacent floor level.

b. In the event that the requirements of this subdivision can not be met at the time of completion of installation, the owner shall have a period of thirty (30) days to comply with the above requirements; provided, however, that during said thirty (30) day period, a battery operated carbon monoxide detector with an alarm shall be installed.

2. **APPROVED CARBON MONOXIDE DETECTORS.** Each carbon monoxide detector as required in accordance with the above provisions shall comply with NFPA 720 and be ANSI/UL 2034 listed and IAS certified.

3. **SIGNAGE.** A metal or plastic identification plate shall be permanently mounted to the exterior of the building at a minimum height of eight (8) feet above grade directly in line with the exhaust vent terminal for the horizontally vented gas fueled heating appliance or equipment. The sign shall read, in print size no less than one-half (1/2) inch in size, "**GAS VENT DIRECTLY BELOW. KEEP CLEAR OF ALL OBSTRUCTIONS**".

4. **INSPECTION.** The state or local gas inspector of the side wall horizontally vented gas fueled equipment shall not approve the installation unless, upon inspection, the inspector observes carbon monoxide detectors and signage installed in accordance with the provisions of 248 CMR 5.08(2)(a)1 through 4.

(b) **EXEMPTIONS:** The following equipment is exempt from 248 CMR 5.08(2)(a)1 through 4:

1. The equipment listed in Chapter 10 entitled "Equipment Not Required To Be Vented" in the most current edition of NFPA 54 as adopted by the Board; and

2. Product Approved side wall horizontally vented gas fueled equipment installed in a room or structure separate from the dwelling, building or structure used in whole or in part for residential purposes.

(c) **MANUFACTURER REQUIREMENTS - GAS EQUIPMENT VENTING SYSTEM PROVIDED.** When the manufacturer of Product Approved side wall horizontally vented gas equipment provides a venting system design or venting system components with the equipment, the instructions provided by the manufacturer for installation of the equipment and the venting system shall include:

1. Detailed instructions for the installation of the venting system design or the venting system components; and

2. A complete parts list for the venting system design or venting system.

(d) **MANUFACTURER REQUIREMENTS - GAS EQUIPMENT VENTING SYSTEM NOT PROVIDED.** When the manufacturer of a Product Approved side wall horizontally vented gas fueled equipment does not provide the parts for venting the flue gases, but identifies "special venting systems", the following requirements shall be satisfied by the manufacturer:

1. The referenced "special venting system" instructions shall be included with the appliance or equipment installation instructions; and

2. The "special venting systems" shall be Product Approved by the Board, and the instructions for that system shall include a parts list and detailed installation instructions.

(e) A copy of all installation instructions for all Product Approved side wall horizontally vented gas fueled equipment, all venting instructions, all parts lists for venting instructions, and/or all venting design instructions shall remain with the appliance or equipment at the completion of the installation.

INSTALLATION

IMPORTANT: SAVE THESE INSTRUCTIONS

The Regency Gas Fireplace must be installed in accordance with these instructions. Carefully read all the instructions in this manual first. Consult the building authority having jurisdiction to determine the need for a permit prior to starting the installation.

Note: Failure to follow these instructions could cause a malfunction of the heater which could result in death, serious bodily injury, and/or property damage. Failure to follow these instructions may also void your fire insurance and/or warranty.

FOR YOUR SAFETY

This appliance requires air for proper combustion. Always provide adequate combustion and ventilation air. Follow instructions and information in the current CAN/CGA B149 (in Canada) or the current National Fuel Gas Code ANSI Z223.1 (in the USA), regarding requirements for combustion and ventilation air.

GAS PIPE TESTING

The appliance must be isolated from the gas supply piping system by closing its individual manual shutoff valve during any pressure testing of the gas supply piping system at test pressures equal to or less than 1/2 psig. (3.45 kPa).

SPECIFICATIONS

Fuel:	Natural gas or Propane
Electrical:	120V A.C. system.
Fan/Blower:	Variable speed, 125/75 CFM.
Log Sets:	Ceramic fiber, 3 per set.
Vent System:	Listed minimum 4" B-Vent or listed double thickness aluminium flex liner.

INSTALLATION INTO A FACTORY BUILT FIREPLACE

The ULTIMATE Gas Inserts have been tested and approved to be vented into any approved Factory Built Fireplace that will allow the Insert to physically fit into the firebox. A Factory Built Fireplace Trim Kit, Part # 610-940, is available.

If the factory built fireplace height is too low for your Insert, you may remove the smoke shelf, baffle plate, and damper plate from the factory built fireplace if removable without cutting or torching, as long as these items are saved and are re-installed in the event that the Insert is removed.

INSTALLATION INTO ZERO CLEARANCE FIREPLACES

The ULTIMATE Gas Inserts are only approved for installation into the Gas Insert Zero Clearance Fireplace Kit, model # 660-900.

BEFORE YOU START

Safe installation and operation of this appliance requires common sense, however, we are required by the Canadian Safety Standards and ANSI Standards to make you aware of the following:

General Safety Information

- 1) The appliance installation must conform with local codes or in the absence of local codes, with current CAN/CGA B149 (in Canada) or the current National Fuel Gas Code ANSI Z223.1. This appliance MUST be installed by a qualified gas fitter technician only.
- 2) Installation and repair should be done by a qualified service person.
- 3) The appliance should be inspected before use and at least annually by a professional service person. More frequent cleaning may be required due to excessive lint from carpeting, bedding material, etc. It is imperative that control compartments, burners and circulating air passageways of the appliance be kept clean and free from excessive lint from carpeting.
- 4) See general construction and assembly instructions. This appliance may only be installed in a vented, non-combustible fireplace. The appliance and vent should be enclosed when installed in or passing through a living area, where children may come in contact with it.
- 5) This appliance is Listed for bedroom installations when used with a Listed Millivolt Thermostat. Some areas may have further requirements, check local codes before installation.
- 6) This unit is not approved for installation into a mobile home.

- 7) Always connect this fireplace to a chimney and vent to the outside of the building envelope. Never vent to another room or inside a building. Make sure that the vent is properly sized and is of adequate height to provide the proper draft.
- 8) Inspect the venting system annually for blockage and any signs of deterioration.
- 9) Any safety glass removed for servicing must be replaced prior to operating the appliance.
- 10) To prevent injury, do not allow anyone who is unfamiliar with the operation to use the fireplace.
- 11) Due to high temperatures, the appliance should be located out of high traffic areas and away from furniture and draperies. Children and adults should be alerted to the hazards of high surface temperatures, especially the fireplace glass and gold trims, and should stay away to avoid burns or clothing ignition. Young children should be carefully supervised when they are in the same room as the appliance. Clothing or other flammable material should not be placed on or near the appliance.

- 12) **WARNING: Failure to position the parts in accordance with the diagrams in this manual or failure to use only parts specifically approved with this appliance may result in property damage or personal injury.**
- 13) **WARNING:** Operation of this appliance when not connected to a properly installed and maintained venting system or tampering with the blocked vent shut-off system can result in carbon monoxide (CO) poisoning and possible death.
- 14) This appliance needs fresh air for safe operation and must be installed so there are provisions for adequate combustion and ventilation air.
- 15) Installer must mechanically attach the supplied label to the inside of the firebox of the fireplace into which the gas fireplace insert is installed.

"WARNING: This fireplace has been converted for use with a gas fireplace insert only and cannot be used for burning wood or solid fuels unless all original parts have been replaced, and the fireplace re-approved by the authority having jurisdiction."

Emissions from burning wood or gas could contain chemicals known to the State of California to cause cancer, birth defects or other reproductive harm.

MATERIALS REQUIRED

No electrical power supply is required for the gas control to operate. A 120 Volt AC power cord is hooked up to the fan switch and blower. Plug 3 wire cord into a suitable receptacle. **Do not cut the ground terminal off under any circumstances.**

When connected with 120 volts, the appliance must be electrically grounded in accordance with local codes, with a current version of CSA C22.1 (in Canada) or in the absence of local codes, with the National Electrical Code ANSI/NFPA 70-1987.

Note: This unit is equipped with a heat sensor thermodisc which will prevent the blower from operating until the unit reaches the correct temperature.

INSTALLATION CHECKLIST

The Regency Gas Insert is installed as listed below.

- 1) Unit Location - check Clearances to Combustibles.
- 2) Make the gas connections and electrical connection for fan and vent spill switch.
- 3) Install the flue or liner to the sliding draft hood.
- 4) Install Venting. Slide the unit into the fireplace and level. Attach draft hood to the insert.
- 5) Test gas pressure. Check aeration.
- 6) Test for flue spillage.
- 7) Assemble and install the faceplate and trim.
- 8) Install the log set.
- 9) Install Doors.
- 10) Install Remote Control & Wall Thermostat
- 11) Explain controls to the homeowner.

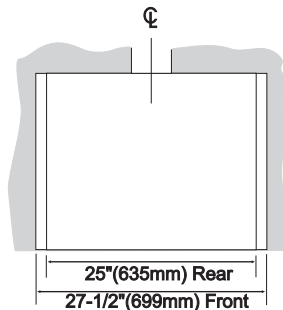
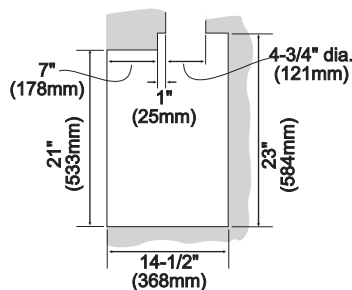
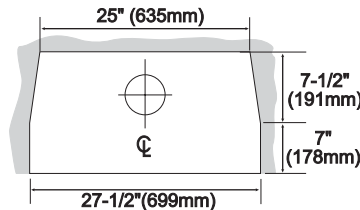
Final check: Before leaving this unit with the customer, the installer must ensure that the appliance is firing correctly. This includes:

- a) Clocking the appliance to ensure the correct firing rate.
- b) Adjusting the primary air, if required, to ensure that the flame does not carbon.
- c) Ensuring that the appliance is venting correctly.

CLEARANCES

Minimum Fireplace Clearances

The minimum fireplace clearances for the Regency gas fireplace insert are shown in the following diagrams:



Clearances to Combustibles

	From Unit	
Sides	A	7.5" / 190 mm
Ceiling	B	35" / 890 mm
Mantel	C(My)	11" / 280 mm

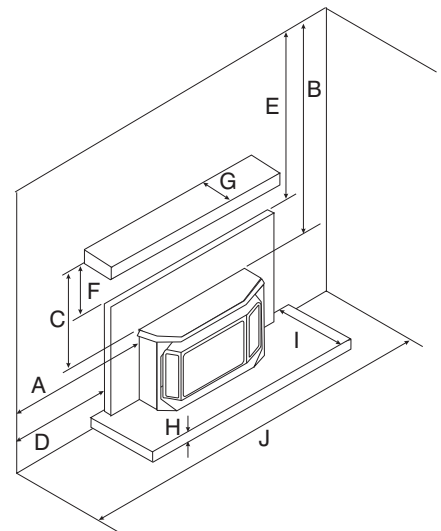
	From Surround	
Sides	D	2" / 50 mm
Ceiling	E	25.5" / 650 mm
Mantel	F	3" / 75 mm

Min. Alcove Width	J	48" / 1120 mm
Mantel Depth	G(Mx)	7.5" / 190 mm

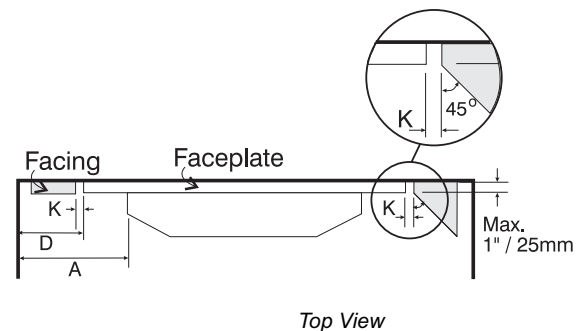
Facing (Mantel Leg)

Side*	K	1" / 25 mm
Top	L	1" / 25 mm

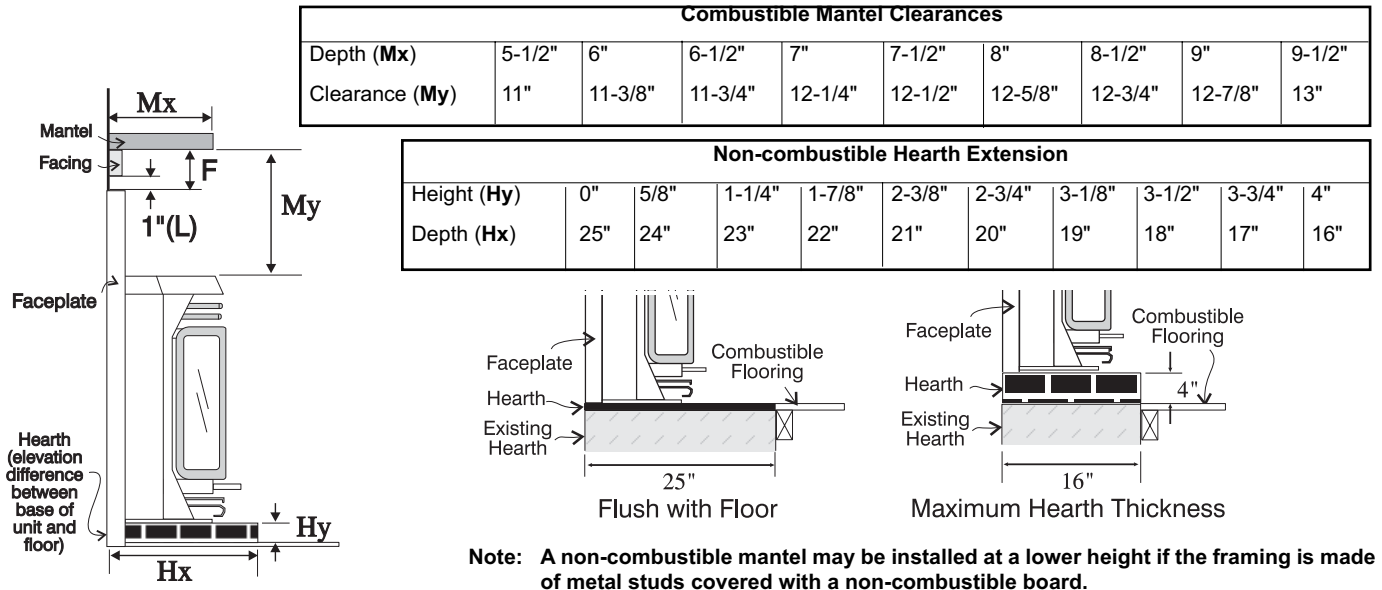
*Max. width of 1" at 1" from surround, calculate



depth at 45° as shown in the diagram.

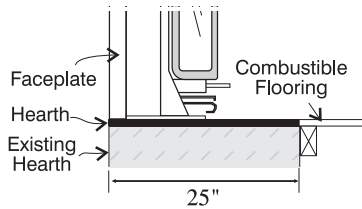


INSTALLATION

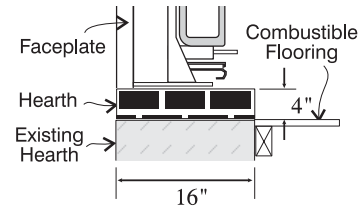


Combustible Mantel Clearances									
Depth (Mx)	5-1/2"	6"	6-1/2"	7"	7-1/2"	8"	8-1/2"	9"	9-1/2"
Clearance (My)	11"	11-3/8"	11-3/4"	12-1/4"	12-1/2"	12-5/8"	12-3/4"	12-7/8"	13"

Non-combustible Hearth Extension										
Height (Hy)	0"	5/8"	1-1/4"	1-7/8"	2-3/8"	2-3/4"	3-1/8"	3-1/2"	3-3/4"	4"
Depth (Hx)	25"	24"	23"	22"	21"	20"	19"	18"	17"	16"



Flush with Floor



Maximum Hearth Thickness

Note: A non-combustible mantel may be installed at a lower height if the framing is made of metal studs covered with a non-combustible board.

System Data For 0 to 2000 feet altitude			
Burner Inlet Orifice Sizes:			
	Natural Gas	Propane	
Burner	#32	#50	
*Above 2000 ft. see National Code Orifice Chart.			
Max. Input - Natural Gas/Propane	38,000 btu/h		
Min. Input - Natural Gas/Propane	20,000 btu/h		
Min. Output Capacity with blower Off			
	Natural Gas	27,550 btu/h	
	Propane	27,778 btu/h	
Max. Output Capacity with blower On			
	Natural Gas	29,184 btu/h	
	Propane	29,260 btu/h	
Supply Pressure:			
	Natural Gas	min. 5" w.c.	
	Propane	min. 12" w.c.	
Manifold Pressure			
	Natural Gas	3.8" +/- 0.2" w.c.	
	Propane	11" +/- 0.2" w.c.	

System Data - HIGH ELEVATION For 2,000 - 4,500 feet altitude	
Burner Inlet Orifice Sizes:	
	Natural Gas
Burner	#33
Max. Input Rating - Natural Gas 34,000 btu/h	
Min. Input Rating - Natural Gas 18,000 btu/h	
Output Capacity with blower Off	
	Natural Gas 24,786
Max. Output Capacity with blower On	
	Natural Gas 26,146

HIGH ELEVATION

This unit is approved in Canada for altitude 2000 ft. to 4500 ft. (CAN/CGA-2.17-M91) with the orifice kit Part # 611-975. For Natural Gas installations above 4500 ft. follow current CAN/CGA-B149.1.

In U.S.A., for installations above 2000 ft. refer to current ANSI Z223.1 Sc8-8.1.2a appendix F, for resizing orifice.

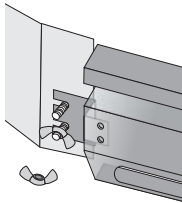
GAS CONNECTION

For minimum and maximum supply pressure see the System Data table on page 7.

Note: Prior to any pressure testing of the gas supply piping system that exceeds test pressures of 1/2 psig, this appliance and its individual shut-off valve must be disconnected from the piping system. If test pressures equal to or less than 1/2 psig are used then this appliance must be isolated from the piping system by closing its individual manual shut-off valve during the testing.

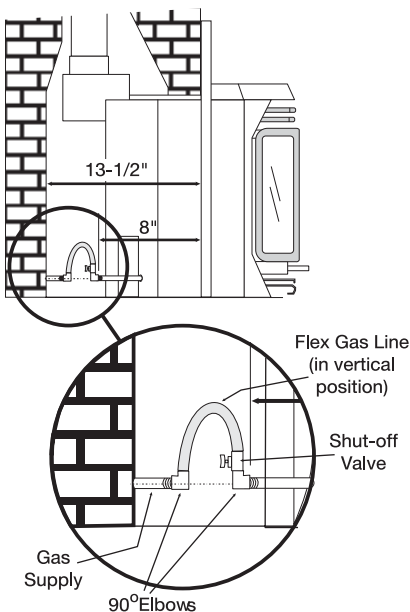
Valve Access: Loosen and remove the wing-nuts on the both sides of the bottom louver and then remove the louver.

GAS CONNECTION WARNING:



Only persons licensed to work with gas piping may make the necessary gas connections to this appliance.

- 1) If the appliance is to be installed into an existing chimney system, thoroughly clean the masonry fireplace and have the chimney swept.



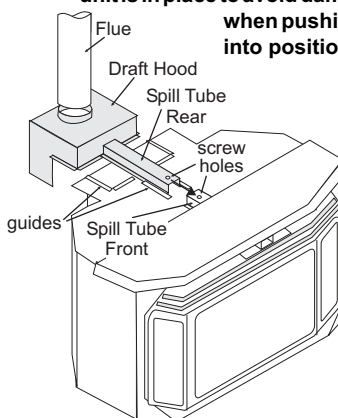
- 2) The gas connection is a 3/8" NPT male pipe on the rear left side of the unit. The gas line can be rigid pipe or to make installation easier use a listed flexible connector and manual shut-off valve if allowed by local building codes. A 1/2" gas supply pipe must be brought near this inlet hole.
- 3) Locate the center point where the vent will pass through the chimney above the appliance. Move the appliance into the exact location where it is to be installed. Ensure that the Insert is level.
- 4) The gas control valve is provided with two "IN" and "OUT" pressure taps, and are easily accessible for a test gauge connection (see diagram on page 9).
- 5) Once the gas has been connected ensure that the pilot valve is in line with burner.

CAUTION: If the door is removed or opened for servicing, it must be replaced and closed prior to operating the appliance. The glass must be fixed in the door when operating.

DRAFT HOOD CONNECTION

- 1) Attach the vent to the flue collar on the detachable draft hood. The flue collar of the appliance will fit inside a standard vent and may be fastened directly to the vent by sheet metal screw or a B-Vent, single wall vent connector.
- 2) Before pushing the appliance into position inside the fireplace, align the draft hood with the guides on the insert top and push forward. While pushing the unit back into place keep pulling the draft hood forward until the screw hole in the spill tube-rear aligns with the screw hole in the spill tube-front. (If screw holes do not line up then draft hood is not positioned correctly.) Secure the two spill tubes with a screw.

Note: Final gas connection should be after unit is in place to avoid damage to line when pushing the unit into position.



COMBUSTION & VENTILATION AIR

WARNING: This appliance needs fresh air for safe operation and must be installed with provisions for adequate combustion and ventilation air available to the room in which it is to be operating.

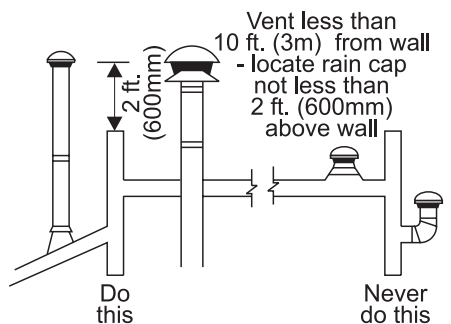
Follow CAN/CGA B149 (in Canada) or ANSI Z223.1 (in the USA) requirements, and any local codes or regulations of the enforcing authority.

Air for combustion is drawn in through the front of the unit, therefore, the front of the unit must be kept clear of any obstructions.

VENTING

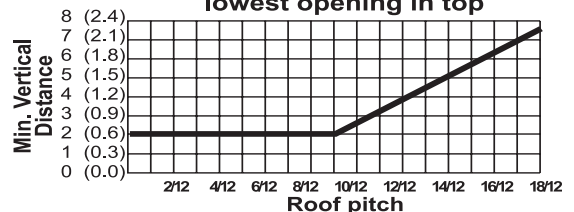
THE APPLIANCE MUST NOT BE CONNECTED TO A CHIMNEY FLUE SERVING A SEPARATE SOLID FUEL BURNING APPLIANCE.

This appliance is designed to attach to a 4" diameter type B-Vent or double thickness aluminium flex liner running the full length of the chimney. A minimum flue height of 12 feet is recommended. B-Vent must be supported by a vent support - supplied by vent manufacturer. There must be at least 3 feet of chimney above the roof level.



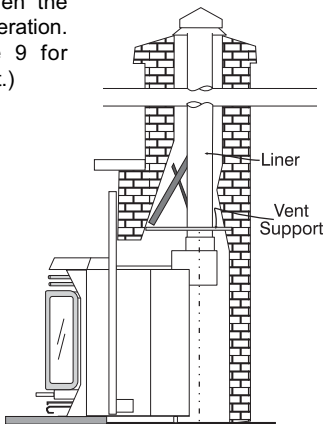
Stack the pipe onto your finish support to a minimum height of 3 feet above the roof penetration, or 2 feet above any point within 10 feet measured horizontally. B-Vent chimneys require a 1" clearance to combustibles.

Minimum vertical distance in ft. (m) from roof up to lowest opening in top



INSTALLATION

The Regency Insert incorporates its own internal draft hood, so no additional external draft hood is required. Periodically check that the vent is unrestricted and an adequate draft is present when the unit is in operation. (See page 9 for spillage test.)



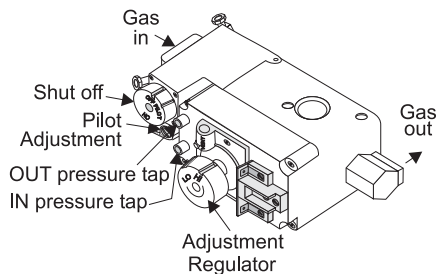
Before installing vent system ensure that the damper plate is locked into the open position and secure to prevent the damper plate from falling down and crushing the liner.

GAS PRESSURE TEST

The unit is preset to give the correct gas input at the specified manifold pressures shown on the label. The maximum gas manifold pressure is:

Natural Gas:	3.8" w.c.
Propane	11" w.c.

The manifold pressure is controlled by a regulator built into the gas control, and should be checked at the pressure test point. The pressure check should be carried out with the unit burning and the setting should be within the limits specified.



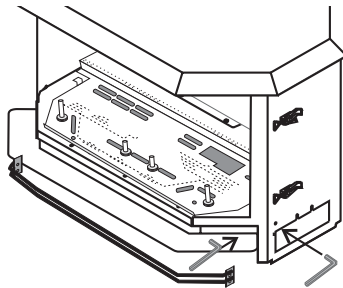
Note: Use the same manner to check the inlet pressure.

AERATION SYSTEM

The burner aeration is factory set but may need adjusting due to either the local gas supply, air supply or altitude.

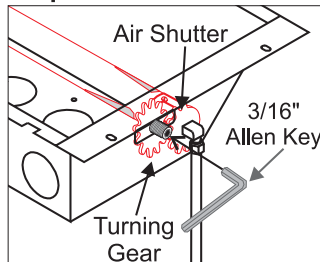
Natural Gas: 3/16" open
Propane: 1/2" open

The aeration adjustment gears are located on the right side of the burner box and can be accessed from the side or from the front when the louvers are removed.



To adjust the aeration: use the allen key to turn the turning gear which will adjust the air shutter. Open the air shutter for a blue flame or close it for a yellower flame.

Closed - Tall yellow flame
Open - Short blue flame



Clockwise to open,
counter-clockwise to close.

Caution: Carbon will be produced if the air shutter is closed too much.

Note: Any damage due to carboning resulting from improperly setting the aeration controls is NOT covered under warranty.

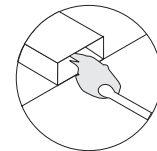
Note: Aeration Adjustment should only be performed by an authorized Regency Installer at the time of installation or service.

TEST FOR FLUE SPILLAGE

A "spillage" test must be made before the installed unit is left with the customer. Follow the procedure below:

- 1) Start all exhaust fans in the home and then close all doors and windows in the room.
- 2) Light the unit and set controls to maximum. Turn fan off.

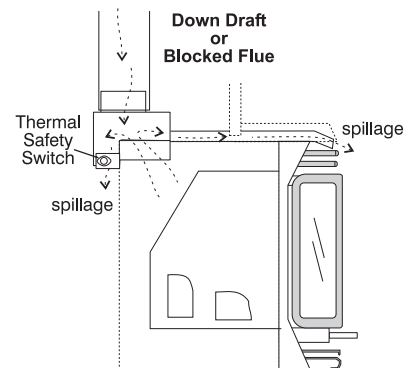
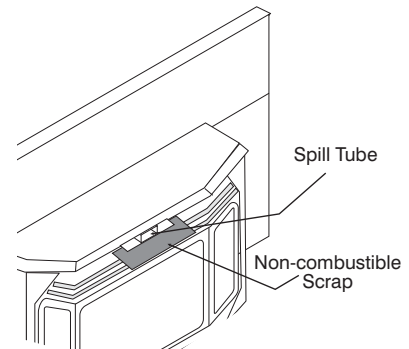
- 3) After five minutes, test that there is a "pull" on the flue by placing a smoke match, cigarette or similar device which gives off smoke, in front of the spill tube. To ensure a valid test, place a scrap piece of sheet metal (or other non-combustible material) between the spill tube and the upper louver, this will prevent the natural convection of the unit from interfering with the test. See diagrams below.



normal draft



downdraft or blocked flue



The smoke should be drawn into the spill tube, if it does not, leave the unit for a further five minutes and retest as above. If the smoke is still not drawn into the spill tube, turn the unit off and check for the cause of the lack of draft. If necessary, seek expert advice.

For wind turbulent sites, a wind cap may remedy the problem.

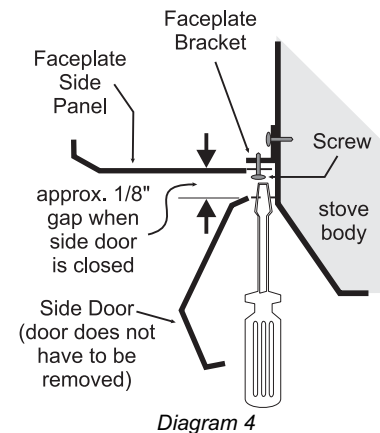
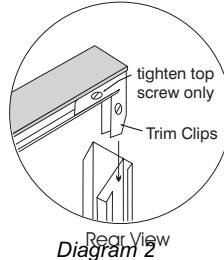
Note: The thermally activated safety switch will sense the change in temperature and shut down the gas valve in the event of a severe downdraft of air or a blocked or disconnected vent. The switch acts as a safety shut-off to prevent a build up of carbon monoxide. If the flue is blocked or has no "draw", the switch will automatically

shut off the supply of gas within 5 - 10 minutes. Tampering with the switch can result in carbon monoxide (CO) poisoning and possible death.

If the heater turns off because of lack of draft during the spillage test, check for the cause and if necessary, seek expert advice.

The thermally actuated safety switch will automatically reset after it has reduced in temperature. The switch will continue to cycle until the draft problem is corrected. **DO NOT BYPASS OR DISCONNECT THIS SWITCH.**

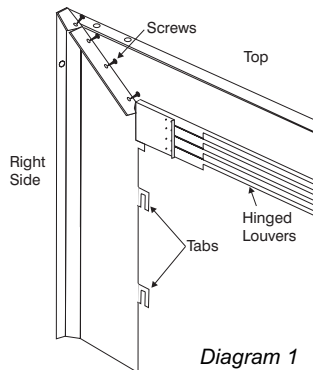
- Using the trim clips provided, join the left side gold trim (the one with the ON/OFF switch and variable speed FAN switch) to the top gold trim. See diagram 2. Repeat this step for right side.



FACEPLATE AND TRIM INSTALLATION

Hint: Before doing the faceplate installation, leave the Insert out approximately 4" so wires may be hooked up more easily.

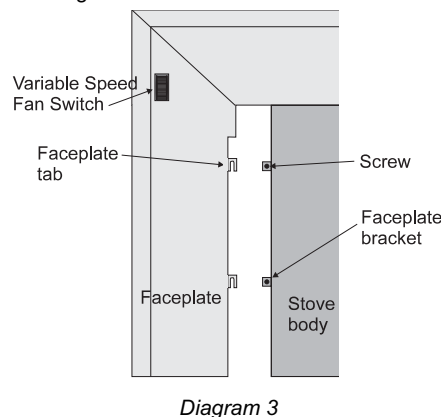
- Lay the faceplate panels flat, face down on something soft so they don't scratch.
- Take the top faceplate and align the holes in it with the holes in the side panels. Attach, using the screws provided. See diagram 1.



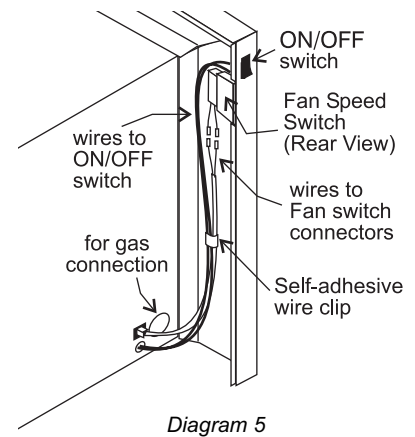
Note: The holes in the top panel are slightly larger than the holes in the side panel to facilitate easier installation.

Hint: Don't tighten the screws down completely at this point, first do a trial fit to the unit. Make any necessary adjustments and when it fits properly then tighten down the screws.

- Place the trim on the assembled faceplate panels, aligning the wires from the switches with the notch in the left side faceplate panel. *The power cord should be run behind the faceplate panel.*
- Push the Regency logo plate into the two holes in the bottom left corner of the faceplate.
- Secure the brass trim to the faceplate by drilling a 1/8" hole through into the faceplate side flange, using the hole in the brass trim as a guide. Now fasten with the two brass plated screws provided.
- Lift the assembled faceplate up and over the top of the insert and then lower it down so the faceplate tabs are in line with the faceplate brackets. See diagram 3. Once everything is properly lined up you can tighten the 4 screws on the faceplate brackets. See diagram 4.



- Fan Switch wires:** Connect the plug end from the fan switches to the matching plug from the unit. See Diagram 5. Make sure the plugs are pushed together as far as they can go. Push the connection into the hole in the side of the insert so it is locked into place.
- ON/OFF wires:** Hook up the ON/OFF wires to the switch on the left side trim. Diagram 5.



Note: If you are making custom face-plates, you must use the faceplate louvers. Failure to do so will void the certification on your unit. The faceplate louvers can be purchased separately.

INSTALLATION

LOG INSTALLATION

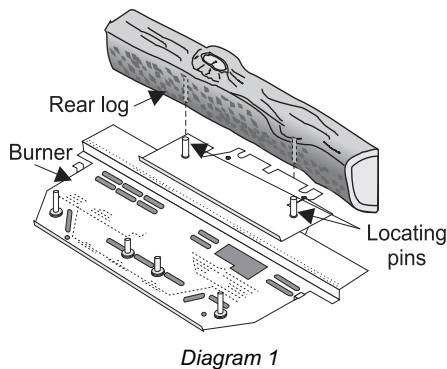
WARNING: Dangerous operating conditions may occur if these logs are not positioned in their approved locations. Read the instructions below carefully and refer to the diagrams. If logs are broken do not use the unit until they are replaced. Broken logs can interfere with the pilot and burner operation.

The gas log kit contains the following:

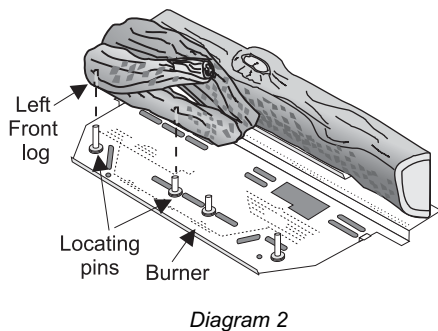
- a) Front Right Log - Part # 902-245
- b) Front Left Log - Part # 902-244
- c) Rear log - Part # 902-246
- d) Embers - Part # 902-151 (2 bags)
- e) Lava - Part # 902-154 (1 bag)

(Part # 653-930 for the set of three logs)

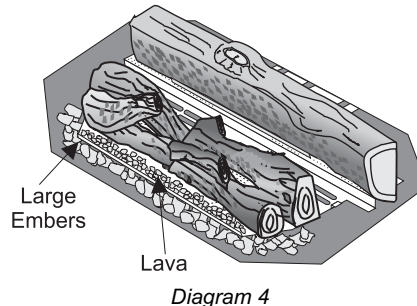
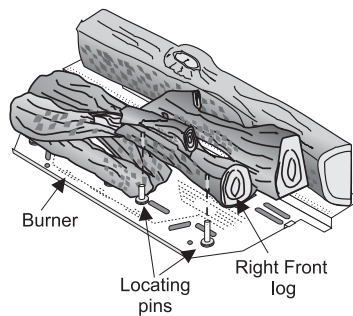
- 1) Remove the logs from the box and carefully unwrap them. The logs are fragile, handle with care - **DO NOT FORCE** into position.
- 2) Place the rear log, carefully sliding it down onto the pins, with the flat side of the log facing the back of the unit. See diagram 1.



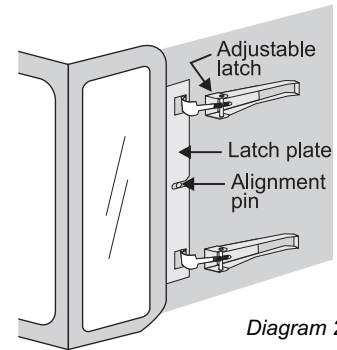
Note: Do not force logs down.



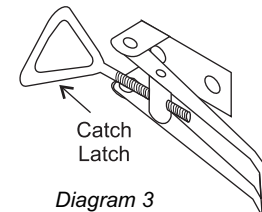
- 3) Place the left front log, carefully sliding it down onto the left pins of the front burner. See diagram 2.
- 4) Place the right front log, carefully sliding it down onto the right pins of the front burner. See diagram 3.
- 5) Distribute the embers along the front burner but do not cover the burner ports and around the logs. Place the large embers on the floor of the firebox. Place the lava on the burner tray in front of the left and right front logs. See diagram 4.



- 3) Close the door. The latch plate must be centered around the alignment pin. See diagram 2. If the latch plate interferes with the corner of the stove you may want to angle the plate slightly so the door closes more easily.

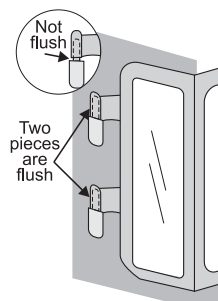


- 4) The latches should already be at the proper setting. If they are too hard or too easy to close, you may want to adjust them by turning the latch. See diagram 3.
- 5) Remove the blue plastic protective coating.
- 6) Test the seal around the door by placing a piece of paper between the unit and the door, close the door and try to pull the paper out. If it slips out easily, then the door is not properly sealed. Turn the adjustable catch to tighten or loosen the latch. See diagram 3.



DOOR INSTALLATION (Packaged Separately)

- 1) Open the two side doors.
- 2) Slide the door onto the two hinge pins making sure the two pieces are flush together. See diagram 1.



Note: The door latch may require adjustment as the door gasket material compresses after a few fires and after glass replacement. Turn the latch to tighten or loosen the latch.

OPTIONAL WALL THERMOSTAT

A wall thermostat may be installed if desired. Connect the wires as per the wiring diagrams on page 13. Use table on this page to determine the maximum wire length:

Note: Preferable if the thermostat is installed on an interior wall.

Regency offers an optional programmable thermostat but any 250-750 millivolt rated non-anticipator type thermostat that is CSA, ULC or UL approved may be used.

CAUTION
Do not connect the millivolt wall thermostat wires to the 120V wires.

OPTIONAL REMOTE CONTROL

Use the Regency Remote Control Kit approved for this unit. Use of other systems may void your warranty.

The remote control kit comes with a hand held transmitter, a receiver and a wall mounting plate.

- 1) Choose a convenient location on the wall to install the receiver and the receptacle box (protection from extreme heat is very important). Run wires from the fireplace to that location, use Thermostat Wire Table.
- 2) Connect the wires as per the wiring diagram above.

CAUTION
Do not connect the millivolt remote control wires to the 120V wires.

- 3) Install 3 AAA alkaline batteries in transmitter and 4 AA alkaline batteries in the receiver. Install the receiver and its cover in the wall. Switch the remote receiver to "remote" mode. The remote control is now ready for operation.

FINAL CHECK

Before leaving this unit with the customer, the installer must ensure that the appliance is firing correctly. This includes:

- 1) Locking the appliance to ensure the correct firing rate (rate noted on label) at 15 minutes.
- 2) If required, adjusting the primary air to ensure that the flame does not carbon. First allow the unit to burn for 15 min. to stabilize.

CAUTION

Any alteration to the product that causes sooting or carboning that results in damage to the exterior facia is not the responsibility of the manufacturer.

- 3) Ensuring that the appliance is venting correctly. See page 8.

Thermostat Wire Table

Recommended Maximum Lead Length (Two-Wire) When Using Wall Thermostat (CP-2 System)	
Wire Size	Max. Length
14 GA.	50 Ft.
16 GA.	32 Ft.
18 GA.	20 Ft.
20 GA.	12 Ft.
22 GA.	9 Ft.

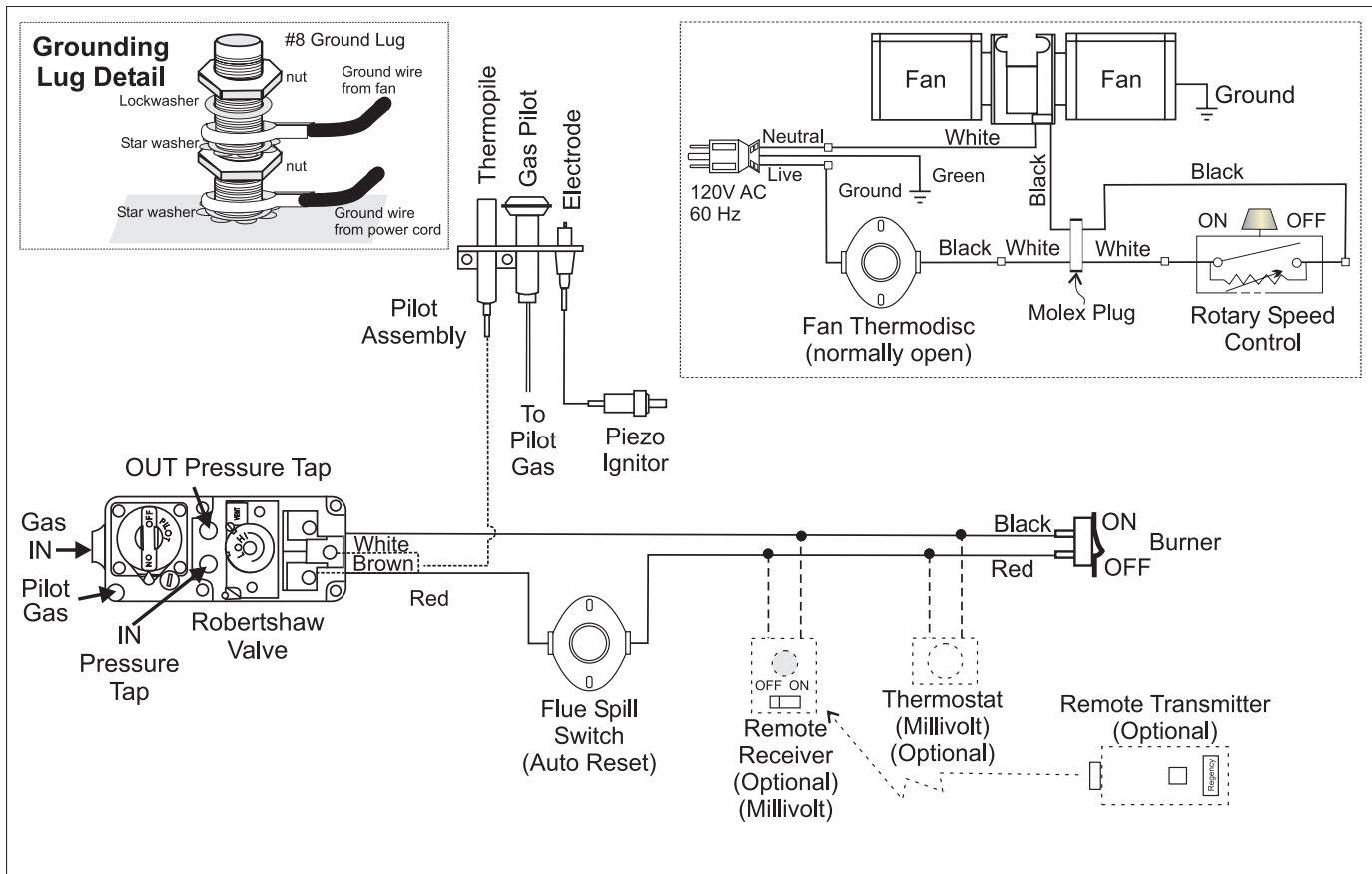
INSTALLATION

WIRING DIAGRAM

This heater does not require a 120V A.C. supply for operation. In case of a power failure, the burner switch and the optional remote control/thermostat will continue to operate. However, a 120V A.C. power supply is needed for the fan/blower operation.

Caution: Ensure that the wires do not touch any hot surfaces and are away from sharp edges.

CAUTION: Label all wires prior to disconnection when servicing controls. Wiring errors can cause improper and dangerous operation.



WARNING: Electrical Grounding Instructions

This appliance is equipped with a three pronged (grounding) plug for your protection against shock hazard and should be plugged directly into a properly grounded three-prong receptacle. Do not cut or remove the grounding prong from this plug.

OPERATING INSTRUCTIONS

OPERATING INSTRUCTIONS

Before operating this appliance, proceed through the following check list.

- 1) Read and understand these Instructions before operating this appliance.
- 2) Check to see that all wiring is correct and enclosed to prevent possible shock.
- 3) Check to ensure there are no gas leaks.
- 4) Make sure the three door glass pieces are in place. Never operate the appliance with any of the door glass removed or with the door open. Do not strike the glass or slam the door shut.

Warning: Do not operate appliance with glass front removed, cracked or broken. Replacement of the glass should be done by a licensed or qualified service person.

- 5) Verify that all venting and the cap is unobstructed.
- 6) Verify log placement. If the pilot cannot be seen when lighting the unit - the logs or the embers have been incorrectly positioned.
- 7) The unit should never be turned off and on without a minimum of a 60 second wait.
- 8) When lighting the appliance, the inside of the glass may fog up. This will burn off after a few minutes of operation.

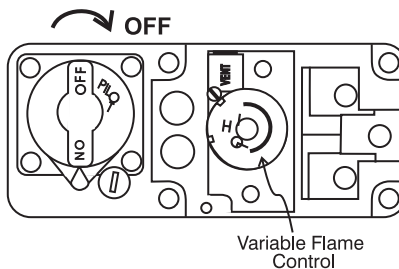
DO NOT BURN THE APPLIANCE WITH THE DOOR OPEN.

LIGHTING PROCEDURE

IMPORTANT: Gas cock knob cannot be turned from "PILOT" to "OFF" unless it is partially depressed.

- 1) Open the left side door when lighting the pilot, but once the pilot is lit, DO NOT operate the unit with the front glass door open.
- 2) Open the bottom louver assembly by turning the wing nut and swinging the louvers out. (See page 8 for diagram.)
- 3) If the control knob is in the "OFF" position proceed to Step 5.
- 4) Push in gas control knob slightly and turn clockwise to "OFF".

- 5) Wait five minutes to allow gas, that may have accumulated in the main burner compartment, to escape. If you do smell gas, follow the instructions on the front of this manual. If you don't smell gas continue on to the next step.
- 6) Turn the gas control counterclockwise to "PILOT".
- 7) Push in control knob all the way and hold in. Immediately push black button on spark igniter until pilot lights. Continue to hold the control knob in for approximately one minute, then release the gas control knob. The pilot flame should continue to burn. If the pilot does not remain lit, repeat operation allowing a longer period before releasing gas control knob.
- 8) Turn gas control knob counterclockwise to "ON".
- 9) Use rocker switch to operate main burner.
- 10) Rotate the variable flame control to adjust the flame height higher or lower.
- 11) Close the bottom louver assembly and tighten the wingnut.
- 12) The door must be closed when operating the unit.



Knob cannot be turned from "PILOT" to "OFF" unless knob is pushed in slightly. Do not force.

SHUTDOWN PROCEDURE

- 1) Use the rocker switch to turn off the main burner.
- 2) Open the bottom louver assembly by turning the wing nut and swinging the louvers out.
- 3) Push in the gas control knob slightly and turn clockwise to "OFF". Do not force.
- 4) Disconnect all electric power to the appliance if service is to be performed.

FIRST FIRE

The first fire in your stove is part of the paint curing process. To ensure that the paint is properly cured, it is recommended that you burn your fireplace for at least four (4) hours the first time you use it with the fan on. When first operated, the unit will release an odour caused by the curing of the paint, the burning off of any oils remaining from manufacturing. Smoke detectors in the house may go off at this time. Open a few windows to ventilate the room for a couple of hours.

The glass panel may require cleaning after the unit has cooled down.

DO NOT ATTEMPT TO CLEAN THE GLASS WHILE IT IS HOT.

Note: When the glass is cold and the appliance is lit, it may cause condensation and fog the glass. This condensation is normal and will disappear in a few minutes as the glass heats up.

DO NOT BURN THE APPLIANCE WITHOUT THE GLASS FRONT IN PLACE.

AUTOMATIC CONVECTION FAN OPERATION

The fan operates automatically, turn the knob on the side of the faceplate to adjust to the desired speed. The fan will turn on as the stove comes up to operating temperature. After the unit has been turned off and the unit cooled to below a useful heat output range the fan will shut off automatically.

OPERATING INSTRUCTIONS

COPY OF THE LIGHTING PLATE INSTRUCTIONS

**FOR YOUR SAFETY
READ BEFORE LIGHTING**

This appliance must be installed in accordance with local codes, if any; if not, follow the current CAN1-B149/ANSI Z 223.1 (Australia: AG601 / New Zealand: NZS 5261)

WARNING: If you do not follow these instructions exactly, a fire or explosion may result causing property damage, personal injury or loss of life. Improper installation, adjustment, alteration, service or maintenance can cause injury or property damage. Refer to the owner's information manual provided with this appliance. For assistance or additional information consult a qualified installer, service agency or gas supplier.

A) This appliance has a pilot which must be lighted by hand, following the instructions below exactly.

B) **BEFORE LIGHTING** smell all around the appliance area for gas. Be sure to smell next to the floor because some gas is heavier than air and will settle on the floor.

WHAT TO DO IF YOU SMELL GAS

- Do not try to light any appliance
- Do not touch any electric switch, do not use any phone in your building
- Immediately call your gas supplier from a neighbour's phone. Follow the gas supplier's instructions.
- If you cannot reach your gas supplier, call the fire department.

C) Use only your hand to push in or turn the gas control knob. Never use tools. If the knob will not push in or turn by hand, don't try to repair it, call a qualified service technician. Force or attempted repair may result in a fire or explosion.

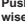
D) Do not use this appliance if any part has been under water. Immediately call a qualified service technician to inspect the appliance and to replace any part of the control system and any gas control which has been under water.

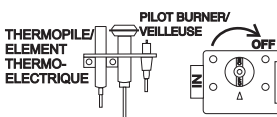
This appliance needs fresh air for safe operation and must be installed so there are provisions for adequate combustion and ventilation air.



CAUTION: Hot while in operation. Do not touch. Due to high surface temperatures keep children, clothing and furniture, away. Keep burner and control compartment clean. See installation and operating instructions accompanying appliance.

LIGHTING INSTRUCTIONS

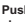
STOP! Read the safety information above on this label.

- 1) Push in gas control knob slightly and turn clockwise  to "OFF". Knob cannot be turned from "PILOT" to "OFF" unless knob is pushed in slightly. Do not force.



- 2) Wait five (5) minutes to clear out any gas. If you then smell gas **STOP!** follow "B" in the safety information above on this label. If you don't smell gas, go to the next step.
- 3) Turn knob on gas control counterclockwise  to "PILOT".
- 4) Push in control knob all the way and hold in. Immediately push black button on spark igniter until pilot lights. Continue to hold the control knob in for about 1/2 minute after the pilot is lit. Release knob and it will pop back up. Pilot should remain lit. If it goes out, repeat steps 3) and 4). If knob does not pop up when released, stop and immediately call your service technician or gas supplier. If the pilot will not stay lit after several tries, turn the gas control knob to "OFF" and call your service technician or gas supplier.
- 5) Turn gas control knob counterclockwise  to "ON".
- 6) Use rocker switch to operate main burner.

TO TURN OFF GAS APPLIANCE

- 1) Push in the gas control knob slightly and turn clockwise  to "OFF". Do not force.
- 2) Turn off all electric power to the appliance if service is to be performed.

**DO NOT REMOVE THIS
INSTRUCTION PLATE**

Made in Canada 908-099

NORMAL OPERATING SOUNDS OF GAS APPLIANCES

It is possible that you will hear some sounds from your gas appliance. This is perfectly normal due to the fact that there are various gauges and types of steel used within your appliance. Listed below are some examples. All are **normal operating sounds** and should not be considered as defects in your appliance.

Blower:

Regency gas appliances use high tech blowers to push heated air farther into the room. It is not unusual for the fan to make a "whirring" sound when ON. This sound will increase or decrease in volume depending on the speed setting of your fan speed control.

Burner Tray:

The burner tray is positioned directly under the burner tube(s) and logs and is made of a different gauge material from the rest of the firebox and body. Therefore, the varying thicknesses of steel will expand and contract at slightly different rates which can cause "ticking" and "cracking" sounds. You should also be aware that as there are temperature changes within the unit these sounds will likely re-occur. Again, this is normal for steel fireboxes.

Blower Thermodisc:

When this thermally activated switch turns ON it will create a small "clicking" sound. This is the switch contacts closing and is normal.

Pilot Flame:

While the pilot flame is on it can make a very slight "whisper" sound.

Gas Control Valve:

As the gas control valve turns ON and OFF, a dull clicking sound may be audible, this is normal operation of a gas regulator or valve.

Unit Body/Firebox:

Different types and thicknesses of steel will expand and contract at different rates resulting in some "cracking" and "ticking" sounds will be heard throughout the cycling process.

MAINTENANCE INSTRUCTIONS

- 1) Always turn off the gas valve before cleaning. For re-lighting, refer to lighting instructions. Keep the burner and control compartment clean by brushing and vacuuming at least once a year.

When cleaning the logs, use a clean soft paint brush as the logs are fragile and easily damaged.

- 2) Clean glass (never when unit is hot), appliance, door and louvers with a damp cloth. Never use an abrasive cleaner. The gold louvers (and optional gold door) may be scratched if abrasives are used to clean them.
The heater is finished in a heat resistant paint and should only be refinished with heat resistant paint (not with wall paint). Regency uses Stove Brite Paint - Metallic Black #6309.
- 3) Make a periodic check of burner for proper position and condition. Visually check the flame of the burner periodically, making sure the flames are steady; not lifting or floating. If there is a problem, call a qualified service person.
- 4) The appliance and venting system must be inspected before use, and at least annually, by a qualified field service person, to ensure that the flow of combustion and ventilation air is not obstructed.

During the annual service call, the burners should be removed from the burner tray and cleaned. Replace the embers but do not block the pilot.

- 5) Verify proper operation after servicing.
- 6) Keep the area near the appliance clear and free from combustible materials, gasoline and other flammable vapours and liquids.

WARNING: CHILDREN AND ADULTS SHOULD BE ALERTED TO THE HAZARDS OF HIGH SURFACE TEMPERATURE AND SHOULD STAY AWAY TO AVOID BURNS OR CLOTHING IGNITION. YOUNG CHILDREN SHOULD BE CAREFULLY SUPERVISED WHEN THEY ARE IN THE SAME ROOM AS THE APPLIANCE.

CAUTION: ANY SAFETY SCREEN OR GUARD REMOVED FOR SERVICING AN APPLIANCE MUST BE REPLACED PRIOR TO OPERATING THE APPLIANCE.

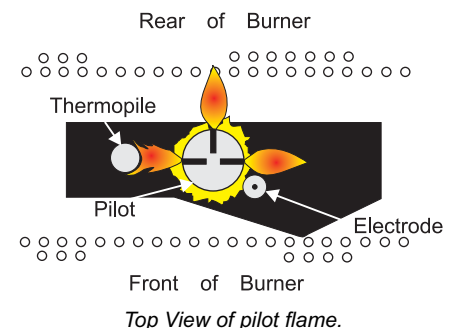
CLOTHING OR OTHER FLAMMABLE MATERIAL SHOULD NOT BE PLACED ON OR NEAR THE APPLIANCE.

- 7) Each time the appliance is lit, it may cause condensation and fog the glass. This condensation and fog is normal and will disappear in a few minutes as the glass heats up.

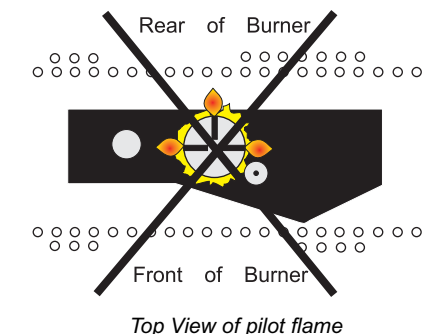
Never operate the appliance without the glass properly secured in place or with the door open.

- 8) Periodically check the pilot flames. Correct flame pattern has three strong blue flames: 1 flowing around the thermopile, 1 flowing across the rear of the burner and 1 reaching towards the right (it does not have to be touching the burner ports).

Note: If you have an incorrect flame pattern, contact your Regency dealer for further instructions.



Incorrect flame pattern will have small, probably yellow flames, not coming into proper contact with the rear of the burner or thermopile.



MAINTENANCE

LOG REPLACEMENT

The unit should never be used with broken logs. Turn off the gas valve and allow the unit to cool before opening door to carefully remove the logs. The pilot light generates enough heat to burn someone. If for any reason a log should need replacement, you must use the proper replacement log. The position of these logs must be as shown in the diagram under Log Installation.

NOTE: Improper positioning of logs may create carbon build-up and will alter the unit's performance which is not covered under warranty.

GOLD-PLATED DOORS

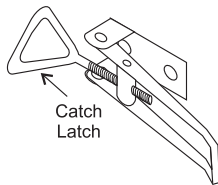
The 24 carat gold plated finish on the door requires little maintenance, and need only be cleaned with a damp cloth. DO NOT use abrasive materials or chemical cleaners, as they may harm the finish and void the warranty. Clean any fingerprints off before turning the unit on. **If gasket seal is not tight - door may discolour.**

DOOR GASKET AND GLASS GASKET

If the door gasket requires replacement use 7/8" diameter oval door gasket (Part # 650-920). The glass requires 5/8" flat glass gasket (Part # 936-243). See your Regency Dealer.

LATCH ADJUSTMENT

The door latch may require adjustment as the door gasket material compresses after a few fires and after glass replacement. Turn the adjustable latch to tighten or loosen the latch.



GLASS REPLACEMENT

Your Regency stove is supplied with high temperature, 5 mm Neoceram ceramic glass that will withstand the highest heat that your unit will produce. In the event that you break your glass by impact, purchase your replacement from an authorized Regency dealer only, and follow our step-by-step instructions for replacement.

MITRED DOOR

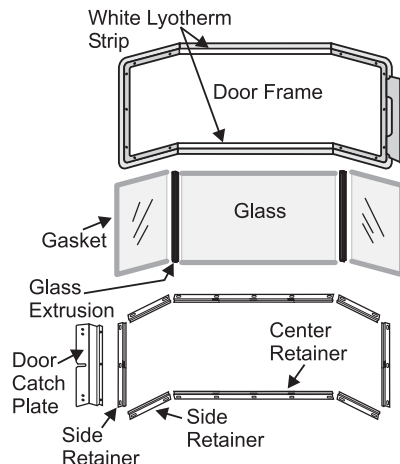
Removing Glass

Note: Wearing gloves will protect your hands while handling glass.

- 1) Remove the door from the unit and place on a soft surface to prevent scratching.
- 2) Pull out the door gasket.
- 3) Remove the 24 nuts holding the glass retainers in place. *Do not remove the nuts underneath the retainers.*
- 4) Remove the door catch plate.
- 5) Remove glass retainers on sides first (3 each side) then remove two center retainers.

Note: Center glass retainers are glued to center glass.

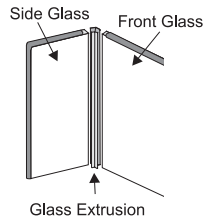
- 6) Remove glass from extrusions. When removing center glass, leave white insulation in place.



Installing Glass

- 1) Install both center and side glass onto extrusions as per diagram.
- 2) Place glass assembly into door frame.
- 3) Install retainers by placing 1 drop of glue where previously glued and put in place.
- 4) Install side retainers.
- 5) Install door catch plate.
- 6) Install the 24 nuts loosely, do not tighten yet.
- 7) Tighten side panels nuts using the following procedure:

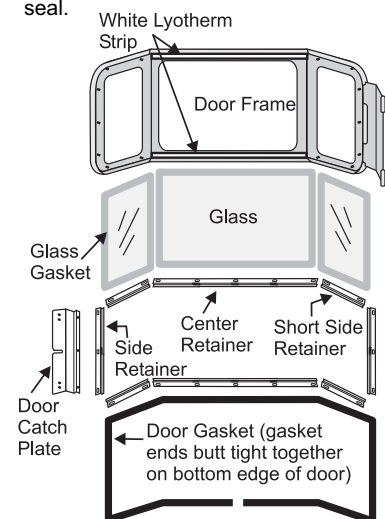
- a. tighten top & bottom outside corner nuts (2)
- b. tighten inside nuts (3)
- c. tighten top & bottom inside corners (2)



- 8) Tighten the 10 nuts on center glass retainer.
- 9) Repeat step 7 for other side panel.
- 10) Replace new gasket by gluing it in place.
- 11) Install door onto stove and check the seal.

PANEL DOOR

- 1) Remove the door from the unit and place on a soft surface to prevent scratching.
- 2) Pull out the door gasket.
- 3) Remove the nuts holding the glass retainers in place.
- 4) Remove the glass retainers (sides, top and bottom) and the door catch plate.
- 5) Replace the glass. **The glass must have gasketing around it.**
- 6) Reverse the previous steps, replace the retainers and fasten with the nuts but do not overtighten, as this can break the glass. **Note: the door catch plate fits on top of the left side retainer.**
- 7) Put gasket glue on the retainers, but do not put glue on the screws. Replace the door gasket, the two ends butt tight together on the bottom edge of the door.
- 8) Replace door on the stove and check the seal.



FAN MAINTENANCE

If your fan requires maintenance or replacement, access to the fan is through the access panel on the rear wall of the firebox. **NOTE: the unit MUST NOT be operated without the fan access panel securely in place and correctly sealed.**

IMPORTANT
Disconnect power supply
before servicing

WARNING: Electrical Grounding Instructions

This appliance is equipped with a three pronged (grounding) plug for your protection against shock hazard and should be plugged directly into a properly grounded three-prong receptacle. Do not cut or remove the grounding prong from this plug.

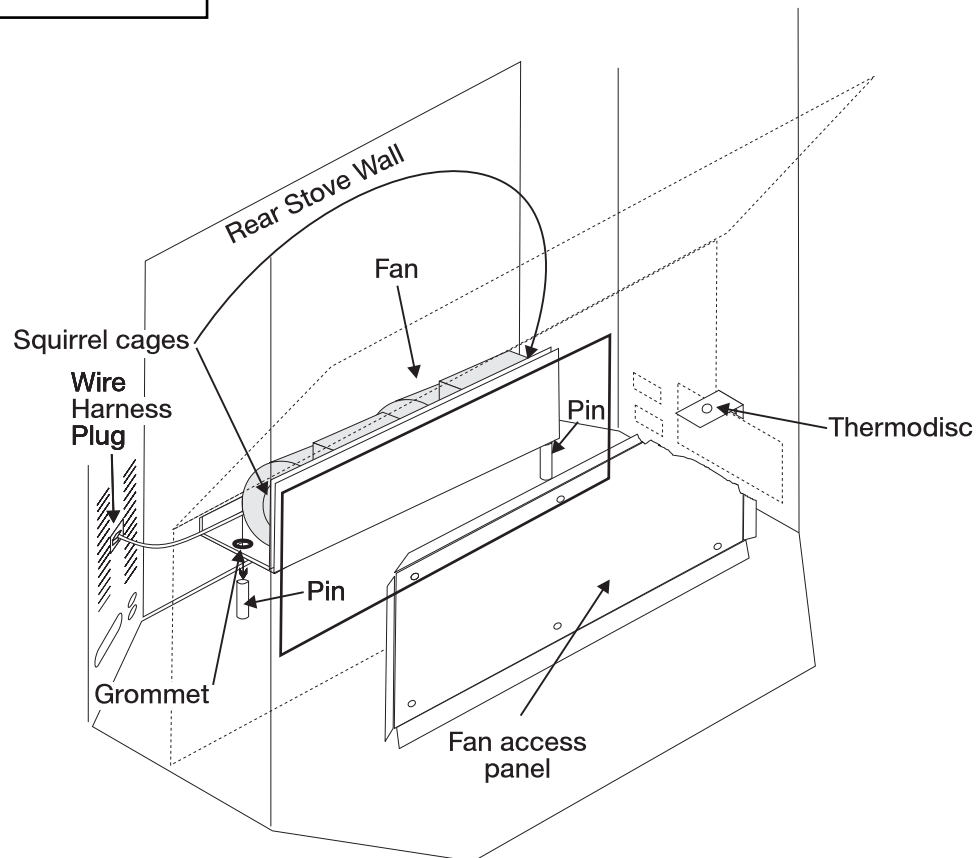
- 1) Unplug or disconnect power source to stove.
- 2) Remove all logs and the rear log support, then remove the 6 screws holding the access panel in place.
- 3) Disconnect white wire from fan to power cord.
- 4) Disconnect black wire from molex plug to thermodisc.
- 5) Unplug wire harness on left rear side panel (from inside the stove).
- 6) Disconnect green ground wire from fan body.
- 7) Lift fan off of the 2 pins, tip forward and pull through firebox opening.

IMPORTANT: These fans do collect a lot of dust from within your home. Ensure you maintain these fan motors on a regular basis by vacuuming out the fan squirrel cages.

Replacing fan:

Reverse above steps. *Hint for pushing fan down onto pins* - rub a bit of dish soap on the grommet so it will slide more easily onto the pin. Check to make sure the fan is seated properly on the pins - try to move the fan back and forth, there should be no noise, if there is check that the grommets haven't come loose.

Caution: Ensure that the wires do not touch a hot surface.



CAUTION:

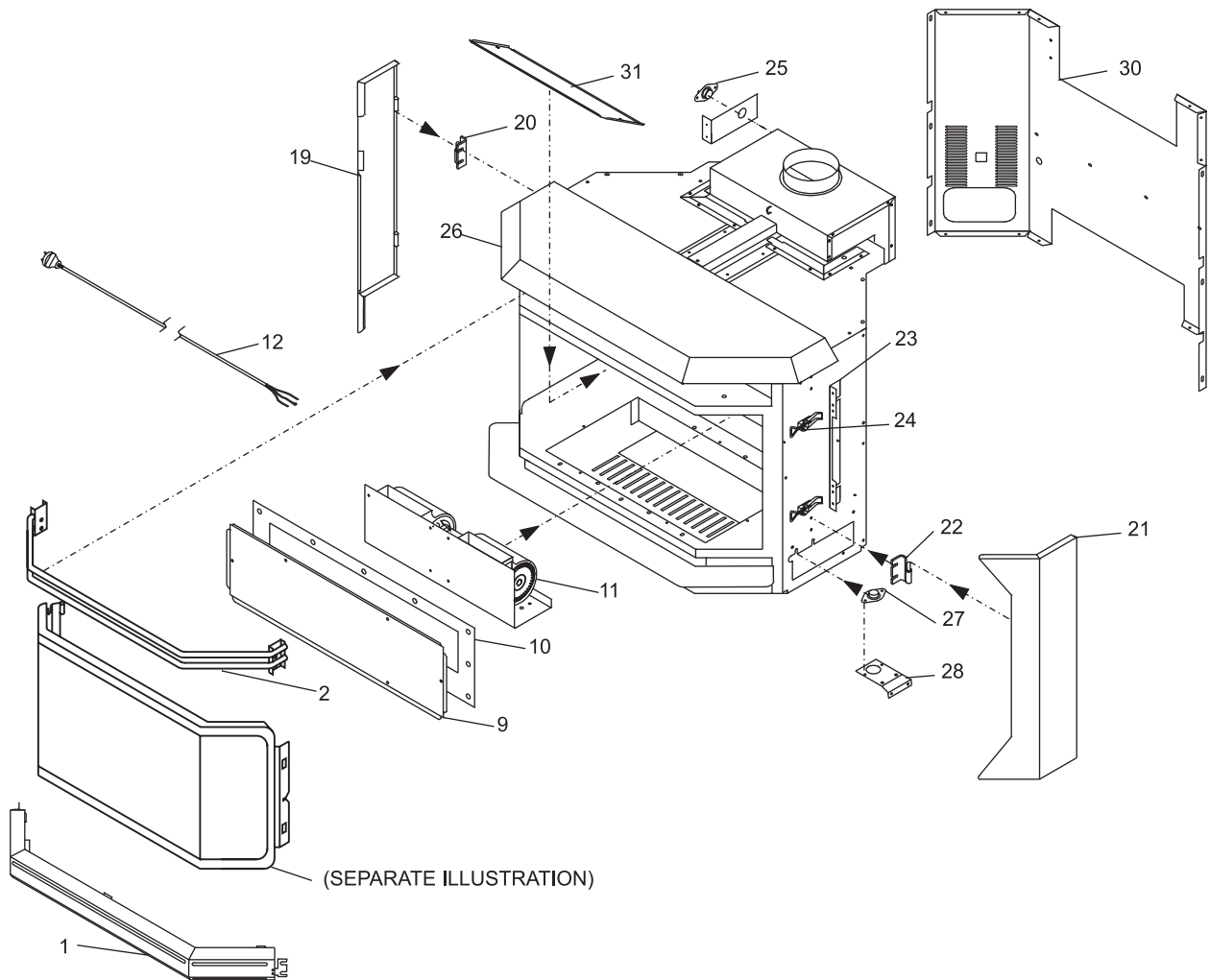
Label all wires prior to disconnection when servicing controls. Wiring errors can cause improper and dangerous operation.

PARTS LIST

MAIN ASSEMBLY

Part #	Description	Part #	Description		
1)	611-525	Bottom Louver Assy	23)	710-028	Faceplate Mounting Bracket
2)	653-535/02	Top Louver Assy	24)	948-241	Door Latch
9)	590-105	Fan Cover	25)	910-325	Spill Switch
10)	936-196	Fan Cover Gasket	26)	610-576	False Top Assembly
	610-517/P	Fan Assembly (120 V)		836-220	False Top Insulation
11)	910-157/P	Fan Motor	27)	910-142	Thermodisc - Fan Auto/On/Off
12)	910-794	Power Cord (120 V)	28)	*	Thermodisc Bracket
	910-770	Wire Harness (stove connection end)	30)	610-175	Rear Panel
			31)	591-187	Firebox Baffle Plate
19)	613-520	Side Panel Assy - Left	908-727	Manual	
20)	650-527	Side Panel Hinge Bracket - Left			
21)	613-522	Side Panel Assy - Right			
22)	650-528	Side Panel Hinge Bracket - Right			

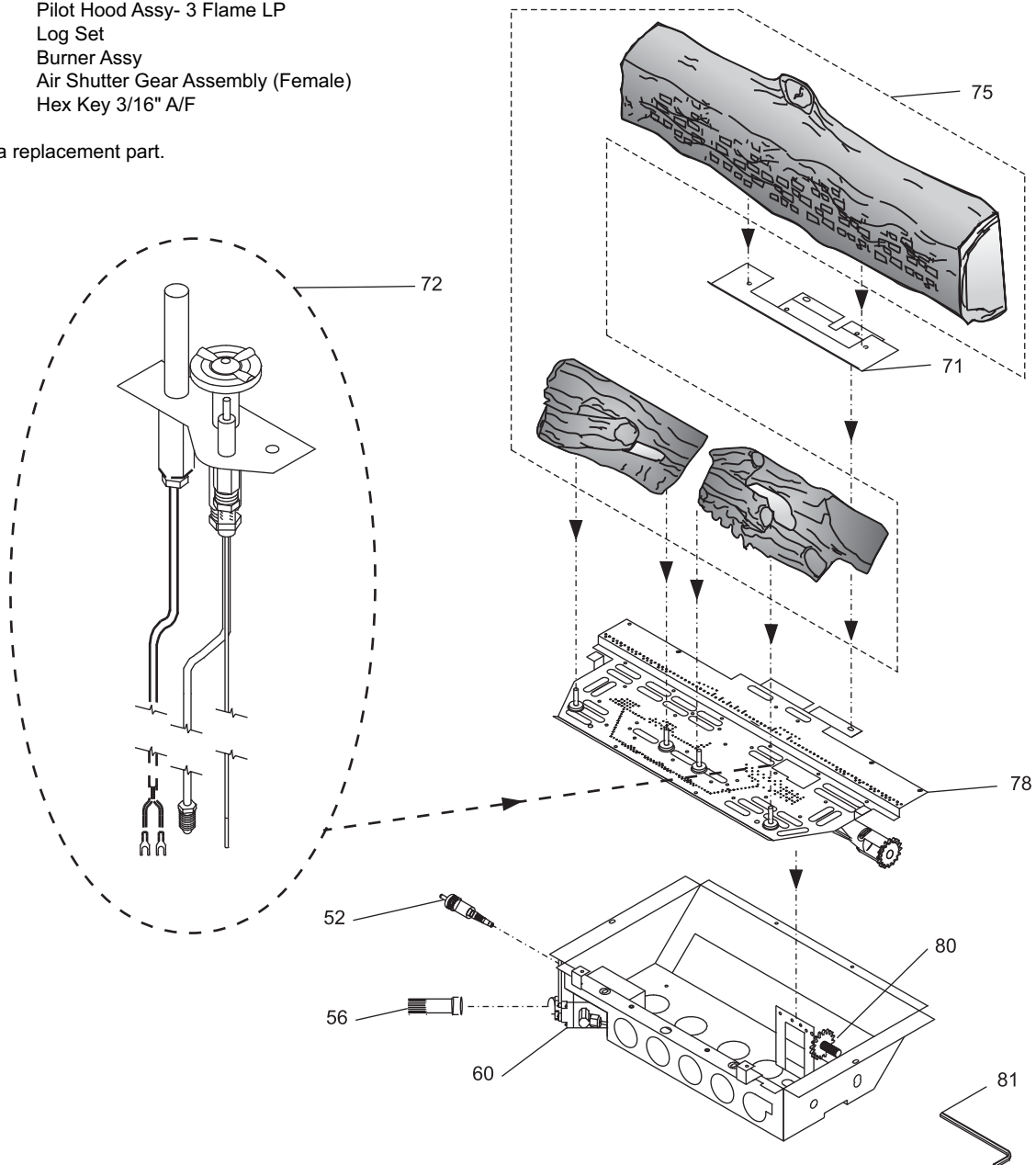
*Not available as a replacement part.



BURNER & LOGS

Part #	Description
52)	910-190 Piezo Ignitor and nut
56)	910-426 Knob - Flame Hi/Low Extension
	613-524/P Valve Assembly -NG
	613-526/P Valve Assembly - LP
60)	910-028 Valve - RS - NG
	910-029 Valve - RS - LP
	904-688 Orifice - #32 NG
	904-641 Orifice - #50 LP
71)	* Log Stand
72)	910-034 Pilot Hood Assy- 3 Flame NG
	910-035 Pilot Hood Assy- 3 Flame LP
75)	653-930 Log Set
78)	653-531 Burner Assy
80)	260-565 Air Shutter Gear Assembly (Female)
81)	904-565 Hex Key 3/16" A/F

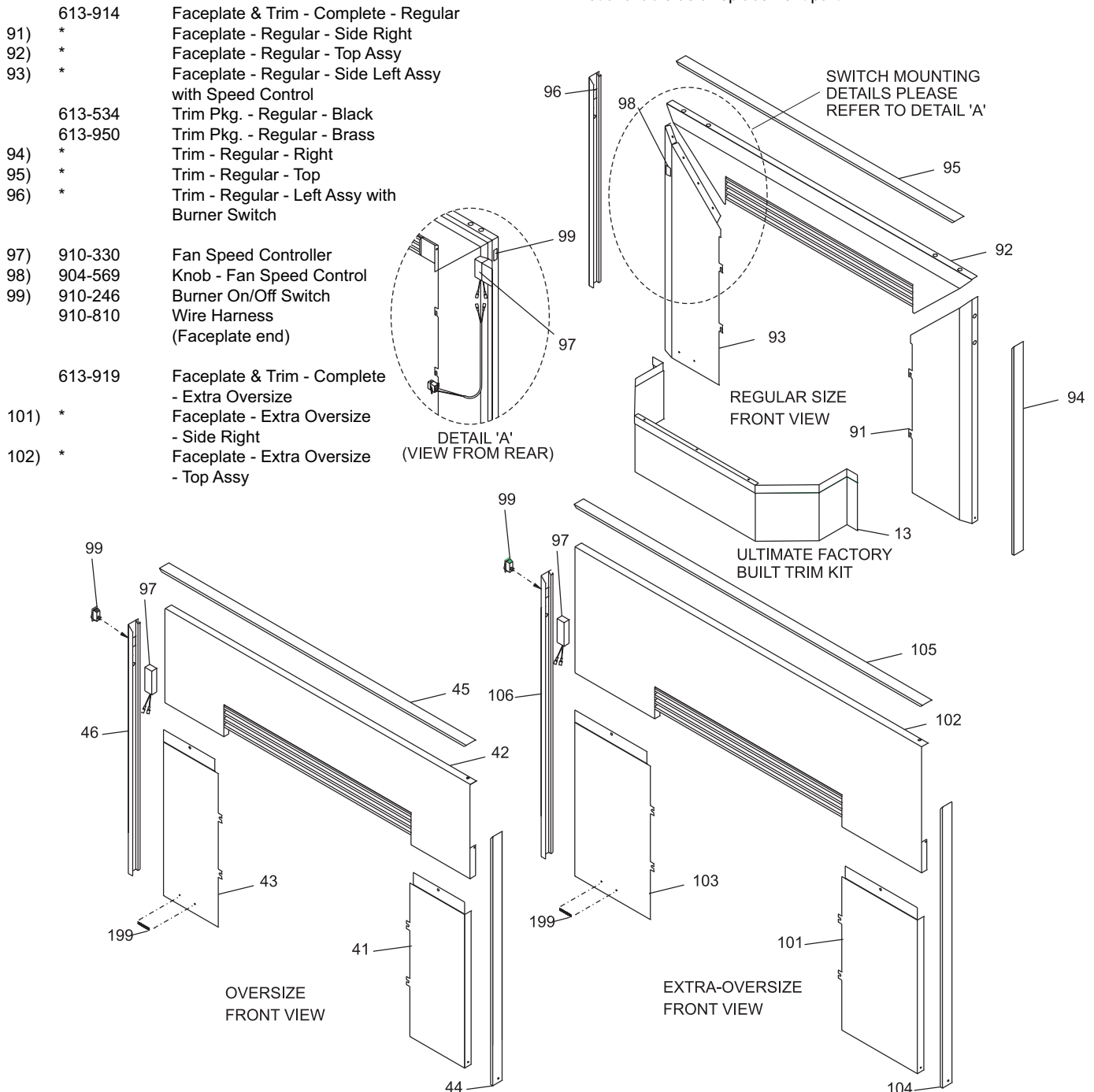
*Not available as a replacement part.



PARTS LIST

FACEPLATE & TRIM

Part #	Description	Part #	Description
13)	611-930 Ultimate Factory Built Trim Kit	103)	* Faceplate - Extra Oversize - Side Left Assy
	613-918 Faceplate & Trim - Complete - Oversize	613-538	Trim Pkg. - Extra Oversize -Black
41)	* Faceplate - Oversize - Side Right	104)	* Trim - Extra Oversize - Right
42)	* Faceplate - Oversize - Top Assy	105)	* Trim - Extra Oversize - Top
43)	* Faceplate - Oversize - Side Left Assy	106)	* Trim - Extra Oversize - Left
	613-536 Trim Pkg. - Oversize - Black	663-911	Zero Clearance Faceplate
44)	* Trim - Oversize - Right	663-522	Trim Pkg. - Zero Clearance - Black
45)	* Trim - Oversize - Top		
46)	* Trim - Oversize - Left	199)	948-216 Logo Plate
	613-914 Faceplate & Trim - Complete - Regular		*Not available as a replacement part.
91)	* Faceplate - Regular - Side Right		
92)	* Faceplate - Regular - Top Assy		
93)	* Faceplate - Regular - Side Left Assy with Speed Control		
	613-534 Trim Pkg. - Regular - Black		
	613-950 Trim Pkg. - Regular - Brass		
94)	* Trim - Regular - Right		
95)	* Trim - Regular - Top		
96)	* Trim - Regular - Left Assy with Burner Switch		
97)	910-330 Fan Speed Controller		
98)	904-569 Knob - Fan Speed Control		
99)	910-246 Burner On/Off Switch		
	910-810 Wire Harness (Faceplate end)		





Regency Fireplace Products are designed with reliability and simplicity in mind. In addition, our internal Quality Assurance Team carefully inspects each unit thoroughly before it leaves our facility. FPI Fireplace Products International Ltd. is pleased to extend this limited lifetime warranty to the original purchaser of a FPI Product. This warranty is not transferable.

The Warranty: Limited Lifetime

The combustion chamber, heat exchanger, burner tubes/pans, logs, brick panels and gold plating (against defective manufacture only) are covered under the Limited Lifetime Warranty for five (5) years for parts and subsidized labour* and parts only thereafter.

Glass is covered for lifetime against thermal breakage only, parts and subsidized labour* for five (5) years and parts only thereafter from date of purchase.

External casting, surrounds and grills are covered against cracks and warps resulting from manufacturer defects, parts and subsidized labour* for three (3) years from the date of purchase and parts only thereafter.

Special Finishes - One year on brushed nickel and antique copper full screens and doors. You can expect some changes in color as the product "ages" with constant heating and cooling. FPI warrants the product for any manufacturing defects on the original product. However, the manufacturers warranty does not cover changing colors and marks, ie. finger prints, etc applied after the purchase of the product. Damage from the use of abrasive cleaners is not covered by warranty.

Electrical and mechanical components such as blowers, switches, wiring, thermodiscs, FPI remote controls, spill switches, thermopiles, thermocouples, pilot assembly components, and gas valves are covered for one year parts and subsidized labour* from the date of purchase. Blowers and valves replaced under warranty are considered repairs and continue as if new with appliance. ie. twelve (12) months from original purchase date of appliance with a minimum of three (3) months coverage from date of replacement.

FPI venting components are covered parts and subsidized labour* for three (3) years from date of purchase.

Simpson Dura-Vent venting components (Direct Vent units) are covered by Simpson Dura-Vent Inc. warranty.

Conditions:

Any part or parts of this unit which in our judgement show evidence of such defects will be repaired or replaced at FPI's option, through an accredited distributor or agent provided that the defective part be returned to the distributor or agent **Transportation Prepaid**, if requested.

Porcelain/Enamel - Absolute perfection is either guaranteed nor commercially possible. Any chips must be reported and inspected by an authorized dealer within three days of installation. Reported damage after this time will be subject to rejection.

It is the general practice of FPI to charge for larger, higher priced replacement parts and issue credit once the replaced component has been returned to FPI and evaluated for manufacturer defect.

The authorized selling dealer is responsible for all in-field service work carried out on your FPI product. FPI will not be liable for results or costs of workmanship from unauthorized service persons or dealers.

At all times FPI reserves the right to inspect product in the field which is claimed to be defective.

All claims must be submitted to FPI by authorized selling dealers. It is essential that all submitted claims provide all of the necessary information including customer name, purchase date, serial #, type of unit, problem, and part or parts requested, without this information the warranty will be invalid.

Exclusions:

This limited Lifetime Warranty does not extend to or include paint, door or glass gasketing or trim.

At no time will FPI be liable for any consequential damages which exceed the purchase price of the unit. FPI has no obligation to enhance or modify any unit once manufactured. ie. as products evolve, field modifications or upgrades will not be performed.

FPI will not be liable for travel costs for service work.

Installation and environmental problems are not the responsibility of the manufacturer and therefore are not covered under the terms of this warranty policy.

Embers, rockwool, gaskets, door handles and paint are not covered under the terms of this warranty policy.

Any unit which shows signs of neglect or misuse is not covered under the terms of this warranty policy.

The warranty will not extend to any part which has been tampered with or altered in any way, or in our judgment has been subject to misuse, improper installation, negligence or accident, spillage or downdrafts caused by environmental or geographical conditions, inadequate ventilation, excessive offsets, negative air pressure caused by mechanical systems such as furnaces, fans, clothes dryer, etc.

Freight damage to stoves and replacement parts is not covered by warranty and is subject to a claim against the freight carrier by the dealer.

FPI will not be liable for acts of God, or acts of terrorism, which cause malfunction of the appliance.

Performance problems due to operator error will not be covered by this warranty policy.

Products made or provided by other manufacturers and used in conjunction with the operation of this appliance without prior authorization from FPI, may nullify your warranty on this product.

Any alteration to the unit which causes sooting or carboning that results in damage to the interior / exterior facia is not the responsibility of FPI.

* Subsidy according to job scale as predetermined by FPI.



Regency fireplace products are designed with reliability and simplicity in mind. In addition, our internal Quality Assurance Team carefully inspects each unit thoroughly before it leaves our door.

Fireplace Products International Ltd. is pleased to extend this Limited Lifetime Warranty to the original purchaser of a Regency Product.

See the inside back cover for details.

Register your Regency online at
<http://www.regency-fire.com>

Installer: Please complete the following information

Dealer Name & Address: _____

Installer: _____

Phone #: _____

Date Installed: _____

Serial No.: _____

Free Manuals Download Website

<http://myh66.com>

<http://usermanuals.us>

<http://www.somanuals.com>

<http://www.4manuals.cc>

<http://www.manual-lib.com>

<http://www.404manual.com>

<http://www.luxmanual.com>

<http://aubethermostatmanual.com>

Golf course search by state

<http://golfingnear.com>

Email search by domain

<http://emailbydomain.com>

Auto manuals search

<http://auto.somanuals.com>

TV manuals search

<http://tv.somanuals.com>