

Lifestyler 8.0ES

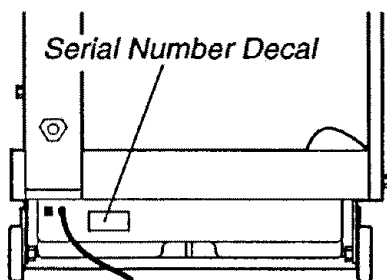
1.5 HP DC MOTOR • 0-8 MPH • STEP CONTROL AUTO INCLINE • EXTENDED STRIDE

SEARS®

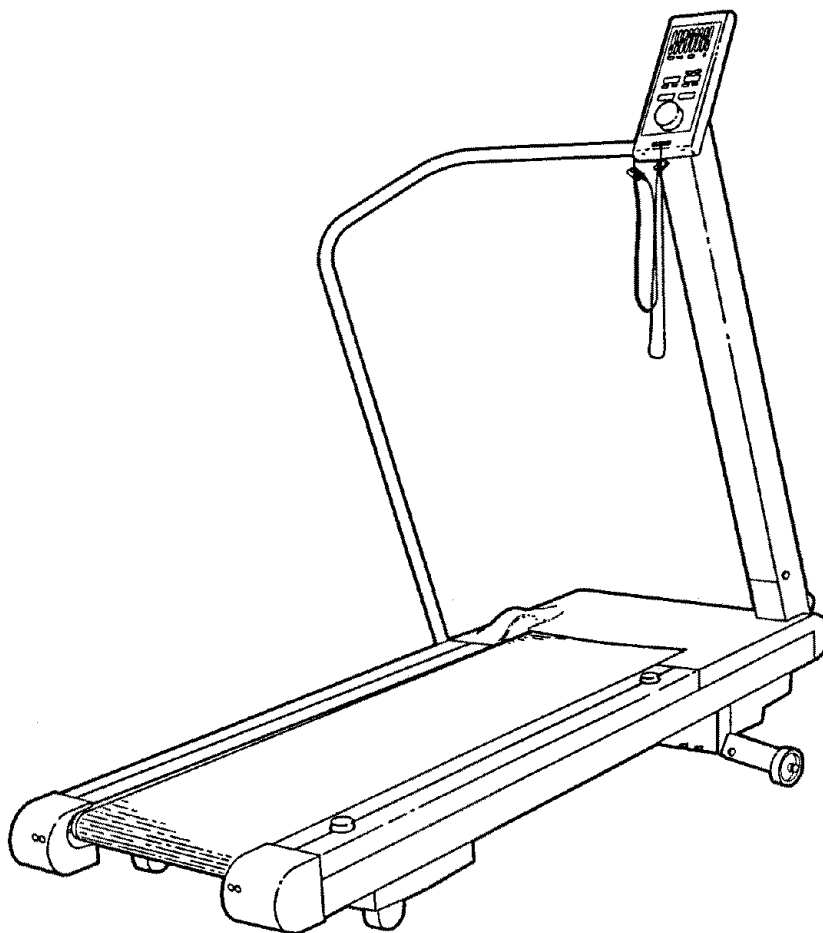
Model No. 831.297250

Serial No. _____

The serial number can be found in the location shown below. Write the serial number in the space above.



OWNER'S MANUAL



▲ CAUTION!:

Read all safety precautions and instructions in this manual before using this equipment. Keep this manual in a safe place for future reference.

SEARS, ROEBUCK AND CO., HOFFMAN ESTATES, IL 60179

FULL 90 DAY WARRANTY

For 90 days from the date of purchase, when proper assembly and maintenance procedures detailed in the Owner's Manual are followed, SEARS will, free of charge, repair or replace and install a replacement part for any defective part, when this treadmill is used in a normal manner.

This warranty does not apply when this treadmill is used for commercial or rental purposes.

SERVICE IS AVAILABLE SIMPLY BY CONTACTING YOUR NEAREST SEARS SERVICE CENTER/DEPARTMENT IN THE UNITED STATES.

This warranty gives you specific legal rights, and you may also have other rights which vary from state to state.

**SEARS, ROEBUCK AND CO., DEPT. 817WA,
3333 BEVERLY ROAD, HOFFMAN ESTATES, IL 60179**

Lifestyler 8.0ES

1.5 HP DC MOTOR • 0-8 MPH • STEP CONTROL AUTO INCLINE • EXTENDED STRIDE

TABLE OF CONTENTS

IMPORTANT SAFETY PRECAUTIONS	4
BEFORE YOU BEGIN	5
ASSEMBLY	6
OPERATION AND ADJUSTMENT	7
TROUBLE-SHOOTING AND STORAGE	10
CONDITIONING GUIDELINES	12
PART LIST	14
EXPLODED DRAWING	15
ORDERING REPLACEMENT PARTS	Back Cover

⚠ WARNING: Before beginning this or any exercise program, consult your physician. This is especially important for persons over the age of 35 or persons with pre-existing health problems. Read all instructions before using. SEARS assumes no responsibility for personal injury or property damage sustained by or through the use of this product.

IMPORTANT SAFETY PRECAUTIONS

▲ WARNING: To reduce the risk of burns, fire, electric shock or injury to persons, read the following important safety precautions and information before operating the treadmill.

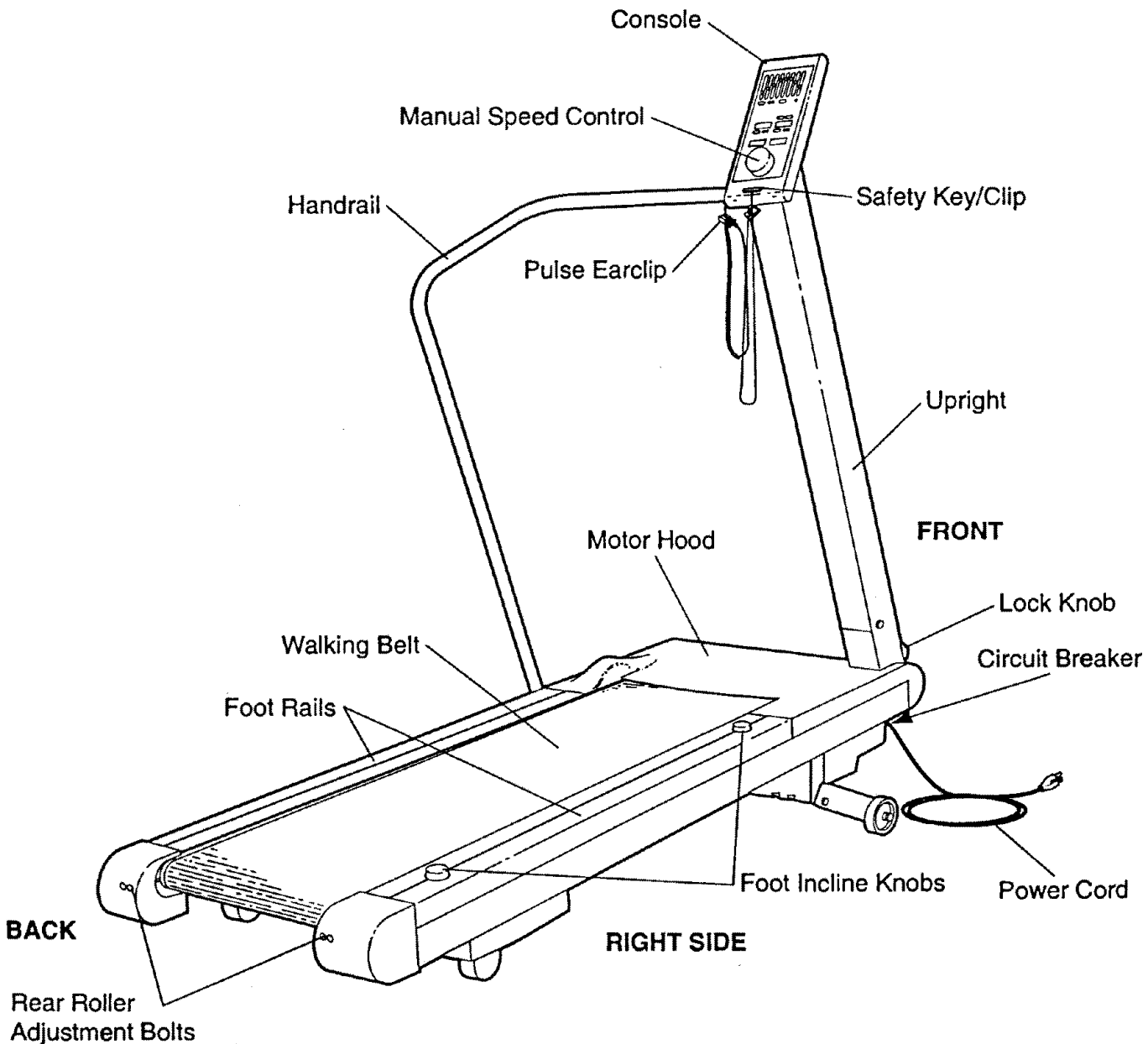
1. Position the treadmill on a level surface, with at least 8 feet of clearance behind the treadmill. Do not place the treadmill near water, outdoors or on any surface that blocks an air opening. Do not operate where aerosol products are used or where oxygen is being administered.
2. When connecting the power cord (see OPERATION AND ADJUSTMENT in this manual), plug the power cord directly into a grounded circuit capable of carrying 12 or more amps. No other appliance should be on the same circuit. Keep the power cord away from heated surfaces. If an extension cord is needed, use only a 14-gauge general-purpose cord of five feet or less in length with a three-wire conductor.
3. Never move the walking belt while the power is turned off. Do not operate the treadmill if the power cord or plug is damaged, or if the treadmill is not working properly. (See BEFORE YOU BEGIN in this manual if the treadmill is not working properly.)
4. Wear appropriate exercise clothing when using the treadmill; do not wear loose clothing that could become caught in the treadmill. *Always wear athletic shoes; never use the treadmill with bare feet, wearing only stockings or in sandals.* Athletic support clothes are recommended for both men and women.
5. The pulse earclip is not a medical device. Various factors, including the user's movement while exercising, may affect the accuracy of heart rate readings. The earclip is intended only as an exercise aid in determining heart rate trends in general.
6. Never start the treadmill while you are standing on the walking belt. Always hold the handrail when exercising on the treadmill.
7. Never allow more than one person on the treadmill at a time. The treadmill should not be used by persons weighing more than 250 pounds.
8. Keep small children away from the treadmill at all times. Never leave the treadmill unattended while it is running. Always turn the power off when the treadmill is not in use.
9. Never drop or insert any object into any opening.
10. To reduce the possibility of overheating, do not operate the treadmill continuously for longer than 1 hour.
11. The treadmill is capable of high speeds. Adjust the speed slowly to avoid sudden jumps in speed.
12. Use the treadmill only as described in this manual.
13. Always unplug the power cord before performing the maintenance and adjustment procedures described in this manual. Never remove the motor hood unless instructed to do so by an authorized service representative. Servicing other than the procedures in this manual should be performed by an authorized service representative only.

BEFORE YOU BEGIN


Thank you for selecting the SEARS LIFESTYLER® 8.0ES treadmill. The LIFESTYLER 8.0ES treadmill blends advanced technology with innovative design to let you enjoy an excellent form of cardiovascular exercise in the convenience and privacy of your home.

For your safety and benefit, read this manual carefully before using the treadmill. If you have additional questions, please call our Customer Service Department toll-free at **1-800-999-3756**, Monday through Friday, 6 a.m. until 6 p.m. Mountain Time (excluding holidays). To help us assist you, please note the product model number and serial number before calling. The model number of the treadmill is 831.297250. The serial number can be found on a decal attached to the treadmill (see the front cover of this manual for the location).

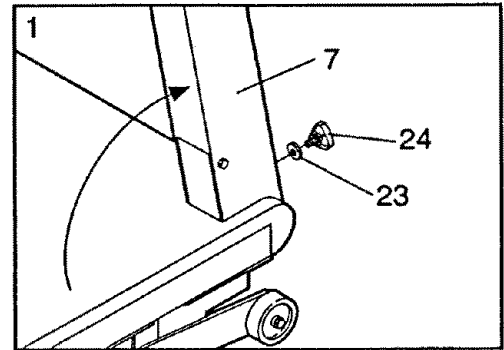
Before reading further, please review the drawing below and familiarize yourself with the parts that are labeled.



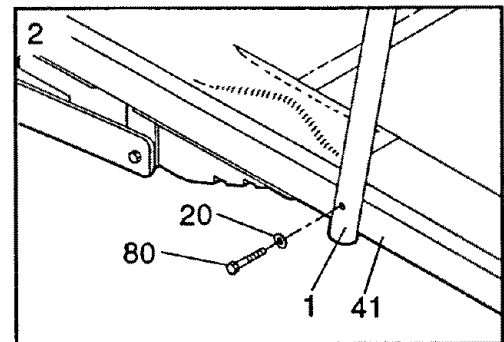
ASSEMBLY

Set the treadmill in a cleared area and remove all packing materials. Do not dispose of the packing materials until assembly is completed. **TOOLS REQUIRED FOR ASSEMBLY: An 8" adjustable wrench**  (not included).

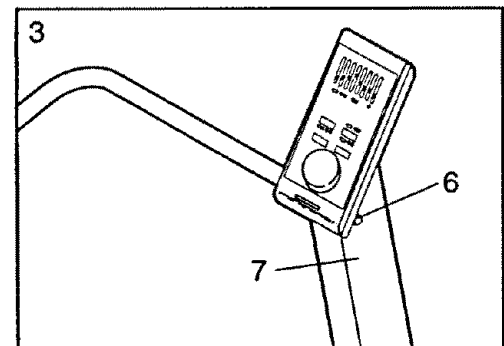
1. Insert the Lock Knob (24), with the Lock Knob Washer (23), into the Upright (7). Raise the Upright, with the Handrail (not shown), to a vertical position and turn the Knob clockwise until almost tight. Leave a little play in the Upright for the following steps.



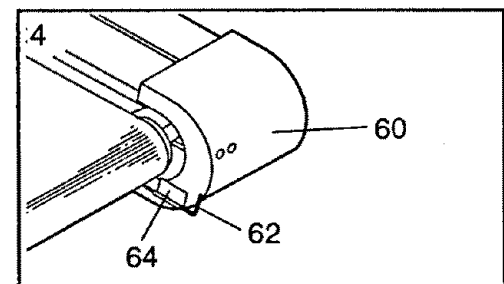
2. Align the hole in the lower end of the Handrail (1) with the hole in the side of the Frame (41). Insert a Handrail Bolt (80), with a Handrail Washer (20), into the Handrail and tighten the Bolt into the Frame.



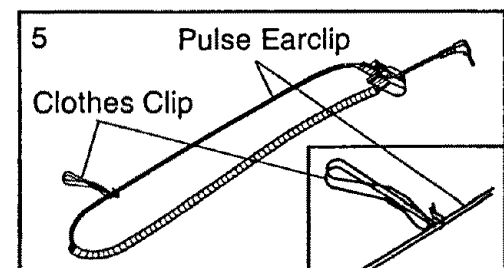
3. Tighten the Acorn Nut (6) on the side of the Upright (7). Tighten the Lock Knob (24) (see step 1).



4. Remove the paper backing from the Wrench Clip (64). Press the Wrench Clip onto the Right Endcap (60) in the indicated location. Press the Allen Wrench (62) into the Wrench Clip.



5. Slide the metal Clothes Clip onto the Pulse Earclip in the indicated location. The use of the Pulse Earclip is explained in the FITNESS MONITOR section on page 9.



Make sure that all parts are tightened before using the treadmill.

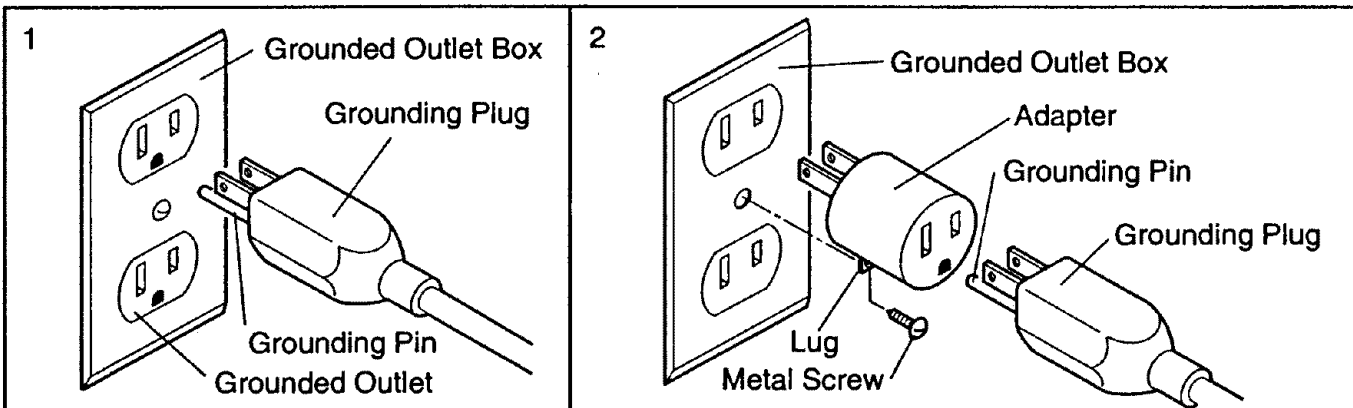
OPERATION AND ADJUSTMENT

PLUGGING IN THE POWER CORD

This product must be grounded. If it should malfunction or break down, grounding provides a path of least resistance for electric current to reduce the risk of electric shock. This product is equipped with a cord having an equipment-grounding conductor and a grounding plug. **Plug the power cord into an appropriate outlet that is properly installed and grounded in accordance with all local codes and ordinances.**

⚠ DANGER: Improper connection of the equipment-grounding conductor can result in a risk of electric shock. Check with a qualified electrician or serviceman if you are in doubt as to whether the product is properly grounded. Do not modify the plug provided with the product—if it will not fit the outlet, have a proper outlet installed by a qualified electrician.

This product is for use on a nominal 120-volt circuit, and has a grounding plug that looks like the plug illustrated in Drawing 1. A temporary adapter that looks like the adapter illustrated in Drawing 2 may be used to connect this plug to a 2-pole receptacle as shown in Drawing 2 if a properly grounded outlet is not available. The temporary adapter should be used only until a properly grounded outlet (Drawing 1) can be installed by a qualified electrician. The green colored rigid ear, lug, or the like extending from the adapter **must be** connected to a permanent ground such as a properly grounded outlet box cover. Whenever the adapter is used it **must be** held in place by a metal screw. **Some 2-pole receptacle outlet box covers are not grounded. Contact a qualified electrician to determine if the outlet box cover is grounded before using an adapter.**

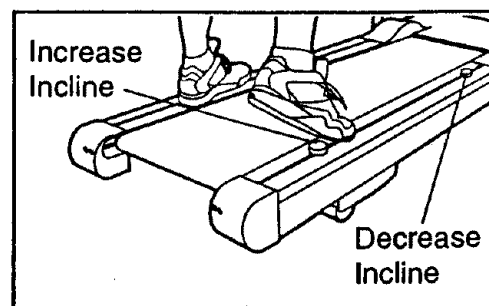


MAINTENANCE-FREE WALKING PLATFORM

This treadmill features a walking platform coated with a special hydrocarbon slip agent. **Do not apply silicone spray or any other substance to the walking platform or the walking belt.** Such substances will deteriorate the surface of the walking platform and cause excessive wear. The first time you use the treadmill, walk on the entire surface of the walking belt for 10 minutes to break in the walking platform. During this initial break-in period, it is normal for the walking belt to slow.

CHANGING THE INCLINE

To vary the intensity of your exercise, the incline of the treadmill can be changed using the foot incline knobs on the right foot rail. To increase the incline, **stand towards the back of the treadmill.** Using your right foot, press down on the back foot incline knob until the desired incline is reached. To decrease the incline, **stand towards the front of the treadmill** and press down on the front foot incline knob.



TURNING THE POWER ON

Step onto the foot rails of the treadmill. Locate the clip attached by a cord to the safety key, and slide the clip onto your waistband.

⚠ CAUTION: Do not stand on the walking belt when turning the power on. Always wear the clip while using the treadmill; if you fall, the safety key will be pulled from the console, instantly turning the power off.

Insert the safety key into the console. The four displays of the fitness monitor will appear and various indicators will light.

MANUAL SPEED CONTROL

When the power is turned on, the manual indicator will light and the console will be in the manual mode. To start the walking belt, first turn the manual speed control to "reset." Then, turn the control slowly clockwise until the walking belt begins to move at slow speed. **Note:** Each time the walking belt is started, the control must first be turned to "reset."

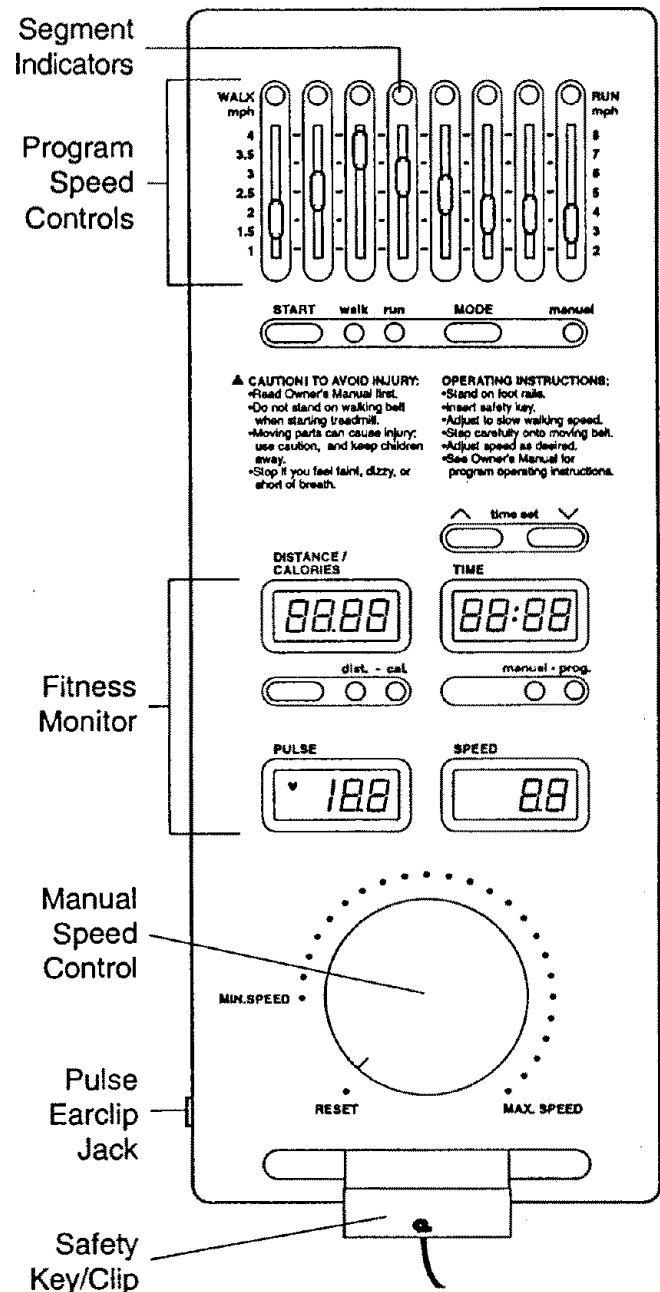
⚠ CAUTION: After the manual speed control is turned, there will be a pause before the walking belt begins to move. Adjust the speed slowly until you are familiar with the operation of the treadmill.

Hold the handrail and step carefully onto the walking belt. Change the speed of the walking belt by turning the manual speed control. To stop the walking belt, turn the control to "reset."

PROGRAM SPEED CONTROL

When the console is in the program mode, the speed of the walking belt will be controlled automatically by programs you create. To create a program, first press the MODE button repeatedly to select the WALK mode or the RUN mode. An indicator will light to show which mode you have selected. If the WALK mode is selected, the speed range of the walking belt will be 1 MPH to 4 MPH during the program; if the RUN mode is selected, the speed range of the walking belt will be 2 MPH to 8 MPH.

Each program will be divided into eight equal time periods, called segments. The speed of the walking belt will change automatically at the beginning of each segment. A speed setting should now be programmed for each of the eight segments, using the eight program speed controls at the top of the console. The control on the left is for the first segment, and the control on the right is for the eighth segment. Move the controls up or down to program the desired speed settings. If the WALK mode was selected, refer to the WALK scale beside the controls to program speed settings; if the RUN mode was selected, refer to the RUN scale. A sample program is shown above. This program will begin with a slow speed setting. The speed will then increase during the second and third segments, and gradually decrease during the remaining segments. An infinite variety of speed settings can be programmed.



Next, press the TIME SET buttons to set the length of time you want the program to last. Each time one of the buttons is pressed, the length of time, shown in the TIME display, will change by 4 minutes. The buttons can be held down to set the length of time rapidly.

To start the program, press the START button. The first segment indicator will begin to flash, and after a pause the walking belt will begin to move at the speed setting of the first program speed control. The TIME display will show the time remaining in the program. After one-eighth of the length of time you set has elapsed, the second segment indicator will begin to flash, and the walking belt will change to the speed setting of the second program speed control. The program will continue in this manner until the length of time you set has elapsed. The walking belt will then slow to a stop.

While the program is in progress, the speed of the walking belt can be changed during the current segment, if desired, by moving the program speed control located below the flashing segment indicator. The walking belt can be stopped while the program is in progress by pressing the MODE button or by removing the safety key from the console. The console will then be in the same condition as if the program had been completed. After the program is completed, the console can be switched to the manual mode by pressing the MODE button.

FITNESS MONITOR

The four displays of the fitness monitor provide continuous exercise feedback. The four displays are described below:

DISTANCE/CALORIES—Press the button below the DISTANCE/CALORIES display to select the DISTANCE or CALORIES mode. An indicator will light to show which mode you have selected. When the DISTANCE mode is selected, the display will show the total distance that you have walked or run. When the CALORIES mode is selected, the display will show the total number of nutritional Calories you have burned.

TIME—When the console is in the manual mode, this display will show the total time that the walking belt has been moving. If desired, a time goal can be set. Make sure that the walking belt is stopped. To set a time goal, press the TIME SET increase or decrease button. Each time one of the buttons is pressed, the time goal will change by 1 minute. The buttons can be held down to set a time goal rapidly. While the walking belt is moving, the display will count down the time goal. When no time remains, the walking belt will slow to a stop. When the console is in the WALK mode or the RUN mode, the display will show the time remaining in the program.

PULSE—This display shows your heart rate. Plug the pulse earclip into the jack on the left side of the console, and attach the earclip to your left ear lobe. Slide the metal clothes clip on the earclip wire onto your collar. After a few seconds, your heart rate will be displayed. If your heart rate is not displayed, rub your ear lobe and reposition the earclip. It may be helpful to stand still while measuring your heart rate.

SPEED—This display shows the speed of the walking belt.

TURNING THE POWER OFF

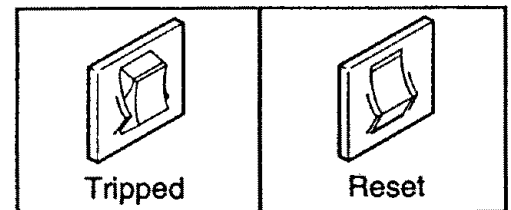
To turn the power off, remove the safety key from the console. Store the safety key in a secure location.

TROUBLE-SHOOTING AND STORAGE

Most treadmill problems can be solved by following the simple steps below. Find the symptom that applies to your treadmill and follow the steps listed. If further assistance is needed, please call our Customer Service Department toll-free at 1-800-999-3756, Monday through Friday, 6 a.m. until 6 p.m. Mountain Time (excluding holidays).

1. SYMPTOM: THE POWER DOES NOT TURN ON

- a. Make sure that the power cord is plugged into a properly grounded outlet. (See OPERATION AND ADJUSTMENT in this manual.) If an extension cord is needed, use only a 14-gauge general-purpose cord of five feet or less in length.
- b. After the power cord has been plugged in, make sure that the safety key is fully inserted into the console. Various indicators on the console should light. (See OPERATION AND ADJUSTMENT in this manual.)
- c. Check the circuit breaker located on the treadmill frame near the power cord. If the switch protrudes as shown, the circuit breaker has tripped. To reset the circuit breaker, wait for five minutes and then press the switch back in.



2. SYMPTOM: THE POWER TURNS OFF DURING USE

- a. Check the circuit breaker located on the treadmill frame near the power cord. If the circuit breaker has tripped, the switch will protrude. (See the drawing above.) To reset the circuit breaker, wait for five minutes and then press the switch back in.
- b. Make sure that the power cord is plugged in.
- c. Remove the safety key from the console. Reinsert the safety key fully into the console. Various indicators on the console should light.

3. SYMPTOM: THE PULSE EARCLIP DOES NOT FUNCTION PROPERLY

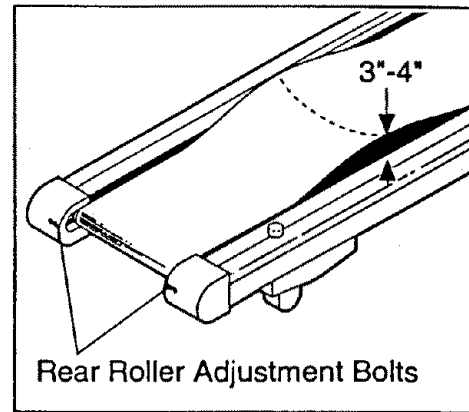
- a. Make sure that the pulse earclip is plugged fully into the jack on the console. Rub your left ear lobe and reposition the earclip. Attach the clothes clip to your collar.
- b. Stand still while measuring your pulse.
- c. The pulse earclip may need to be cleaned. Press the earclip open, and find the two clear circles inside the earclip. Wipe the two clear circles using a cotton swab saturated with denatured alcohol.

▲ WARNING: The pulse earclip is not a medical device. Various factors, including the user's movement while exercising, may affect the accuracy of heart rate readings. The earclip is intended only as an exercise aid in determining heart rate trends in general.

4. SYMPTOM: THE WALKING BELT SLOWS WHEN WALKED ON

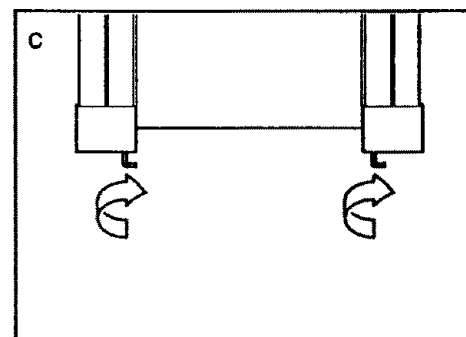
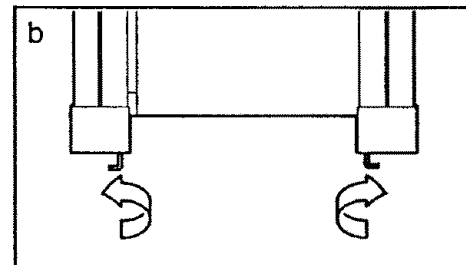
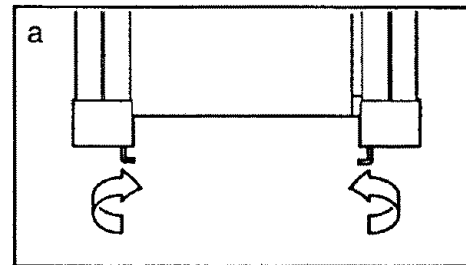
- a. The first time you use the treadmill, walk on the entire surface of the walking belt for 10 minutes to break in the walking platform. During this initial break-in period, it is normal for the walking belt to slow.
- b. If an extension cord is needed, use only a 14-gauge general-purpose cord of five feet or less in length.

- c. If the walking belt is overtightened, treadmill performance may decrease and the walking belt may be permanently damaged. Remove the safety key and **UNPLUG THE POWER CORD**. Using the allen wrench, turn both rear roller adjustment bolts counterclockwise, 1/4 of a turn. When the walking belt is properly tightened, you should be able to lift each side of the walking belt 3-4 inches off the walking platform. The center of the walking belt should be just above the walking platform. Be careful to keep the walking belt centered. Plug in the power cord, insert the safety key and run the treadmill for a few minutes. Repeat until the walking belt is properly tightened.



5. SYMPTOM: THE WALKING BELT IS OFF-CENTER OR SLIPS WHEN WALKED ON

- a. If the walking belt has shifted to the left, first remove the safety key and **UNPLUG THE POWER CORD**. Using the allen wrench, turn the left rear roller adjustment bolt clockwise, and the right bolt counterclockwise, 1/4 of a turn each. Be careful not to overtighten the walking belt. Plug in the power cord, insert the safety key and run the treadmill for a few minutes. Repeat until the walking belt is centered.
- b. If the walking belt has shifted to the right, first remove the safety key and **UNPLUG THE POWER CORD**. Using the allen wrench, turn the left rear roller adjustment bolt counterclockwise, and the right bolt clockwise, 1/4 of a turn each. Be careful not to overtighten the walking belt. Plug in the power cord, insert the safety key and run the treadmill for a few minutes. Repeat until the walking belt is centered.
- c. If the walking belt slips when walked on, first remove the safety key and **UNPLUG THE POWER CORD**. Using the allen wrench, turn both rear roller adjustment bolts clockwise, 1/4 of a turn. When the walking belt is correctly tightened, you should be able to lift each side of the walking belt 3-4 inches off the walking platform. The center of the walking belt should be just above the walking platform. Be careful to keep the walking belt centered. Plug in the power cord, insert the safety key and run the treadmill for a few minutes. Repeat until the walking belt is properly tightened.



STORAGE

Unplug the power cord when the treadmill is not in use. Remove the bolt and washer from the lower end of the handrail. Loosen the nut at the upper end of the handrail. Loosen the lock knob at the front of the upright. Carefully lay the upright on the treadmill. Keep the hardware in a secure location. It is recommended that the treadmill be covered during extended periods of storage.

CONDITIONING GUIDELINES

The following guidelines will help you to plan your exercise program. Remember that proper nutrition and adequate rest are essential for successful results.

▲WARNING: Before beginning this or any exercise program, consult your physician. This is especially important for individuals over the age of 35 or individuals with pre-existing health problems.

EXERCISE INTENSITY

To maximize the benefits of exercising, it is important to exercise with the proper intensity. The proper intensity level can be found by using your heart rate as a guide. For effective aerobic exercise, your heart rate should be maintained at a level between 70% and 85% of your maximum heart rate as you exercise. This is known as your training zone. You can find your training zone in the table below.

AGE	UNCONDITIONED TRAINING ZONE (BEATS/MIN)	CONDITIONED TRAINING ZONE (BEATS/MIN)	AGE	UNCONDITIONED TRAINING ZONE (BEATS/MIN)	CONDITIONED TRAINING ZONE (BEATS/MIN)
20	138-167	133-162	55	127-155	122-149
25	136-166	132-160	60	126-153	121-147
30	135-164	130-158	65	125-151	119-145
35	134-162	129-156	70	123-150	118-144
40	132-161	127-155	75	122-147	117-142
45	131-159	125-153	80	120-146	115-140
50	129-156	124-150	85	118-144	114-139

During the first few months of your exercise program, keep your heart rate near the low end of your training zone as you exercise. After a few months of regular exercise, your heart rate can be increased gradually until it is near the middle of your training zone as you exercise. You can measure your heart rate using the pulse mode of the console. Exercise for at least four minutes, and then measure your heart rate immediately. If your heart rate is too high, decrease the intensity of your exercise. If your heart rate is too low, increase the intensity of your exercise.

▲WARNING: The pulse earclip is not a medical device. Various factors, including your movement during exercise, may affect the accuracy of heart rate readings. The earclip is intended only as an exercise aid in determining heart rate trends in general.

WORKOUT GUIDELINES

Each workout should consist of three basic parts: a warm-up, 20 to 30 minutes of training zone exercise, and a cool-down. Warming up prepares the body for exercise by increasing circulation, delivering more oxygen to the muscles and raising the body temperature. Begin each workout with 5 to 10 minutes of stretching and light exercise to warm up. Then, increase the intensity of your exercise to raise your heart rate to your training zone for 20 to 30 minutes. Breathe regularly and deeply as you exercise—never hold your breath. Finish each workout with 5 to 10 minutes of stretching to cool down. This will increase the flexibility of your muscles as well as help to decrease soreness and other post-exercise problems.

To maintain or improve your condition, complete three workouts each week, with at least one day of rest between workouts. After a few months of regular exercise, you may complete up to five workouts each week, if desired. The key to success is CONSISTENCY.

SUGGESTED STRETCHES

The following stretches can provide a good warm-up or cool-down. Correct form for each stretch is shown in the drawings below. Move slowly as you stretch—never bounce.

TOE TOUCH STRETCH

Stand with your knees bent slightly and slowly bend forward from your hips. Allow your back and shoulders to relax as you reach down toward your toes as far as possible. Hold for 15 counts, then relax. Repeat 3 times.

Stretches: Hamstrings, back of knees and back.

HAMSTRING STRETCH

Sit with one leg extended. Bring the sole of the opposite foot toward you and rest it against the inner thigh of your extended leg. Reach toward your toes as far as possible. Hold for 15 counts, then relax. Repeat 3 times for both legs.

Stretches: Hamstrings, lower back and groin.

CALF/ACHILLES STRETCH

With one leg in front of the other, reach forward and place your hands against a wall. Keep your back leg straight and your back foot flat on the floor. Bend your front leg, lean forward and move your hips toward the wall. Hold for 15 counts, then relax. Repeat 3 times for both legs. To cause further stretching of the achilles tendons, bend your back leg as well.

Stretches: Calves, achilles tendons and ankles.

QUADRICEPS STRETCH

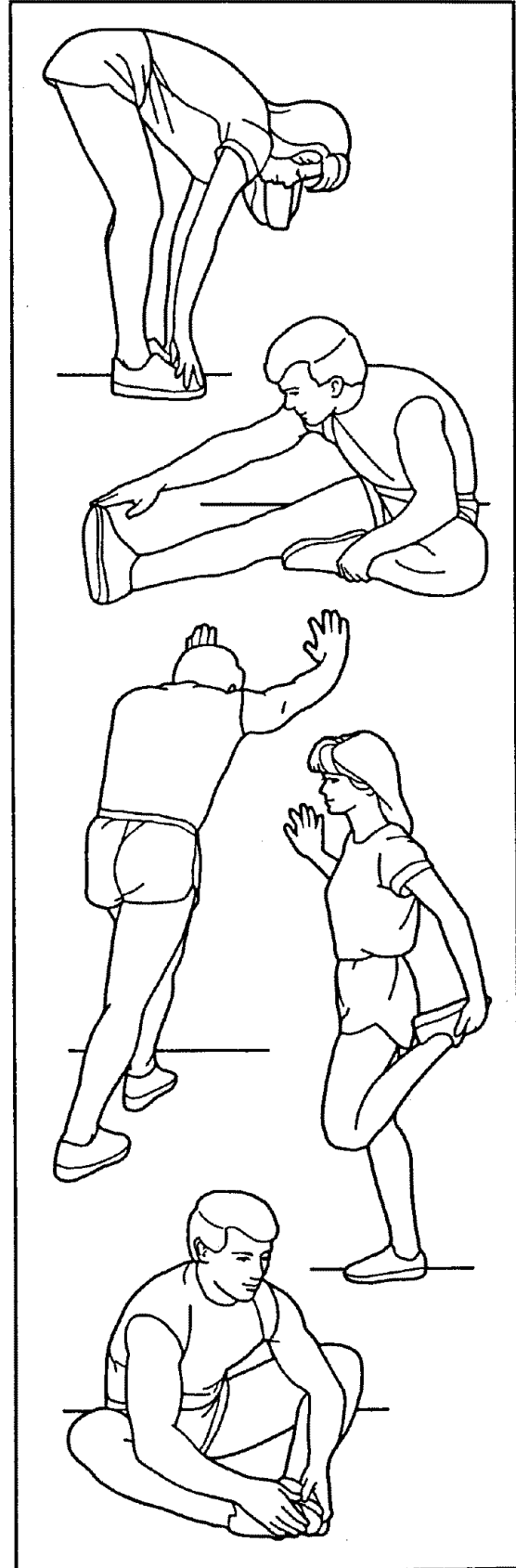
With one hand against a wall for balance, reach back and grasp one foot with your other hand. Bring your heel as close to your buttocks as possible. Hold for 15 counts, then relax. Repeat 3 times for both legs.

Stretches: Quadriceps and hip muscles.

INNER THIGH STRETCH

Sit with the soles of your feet together and your knees outward. Pull your feet toward your groin area as far as possible. Hold for 15 counts, then relax. Repeat 3 times.

Stretches: Quadriceps and hip muscles.



PART LIST—Model No. 831.297250

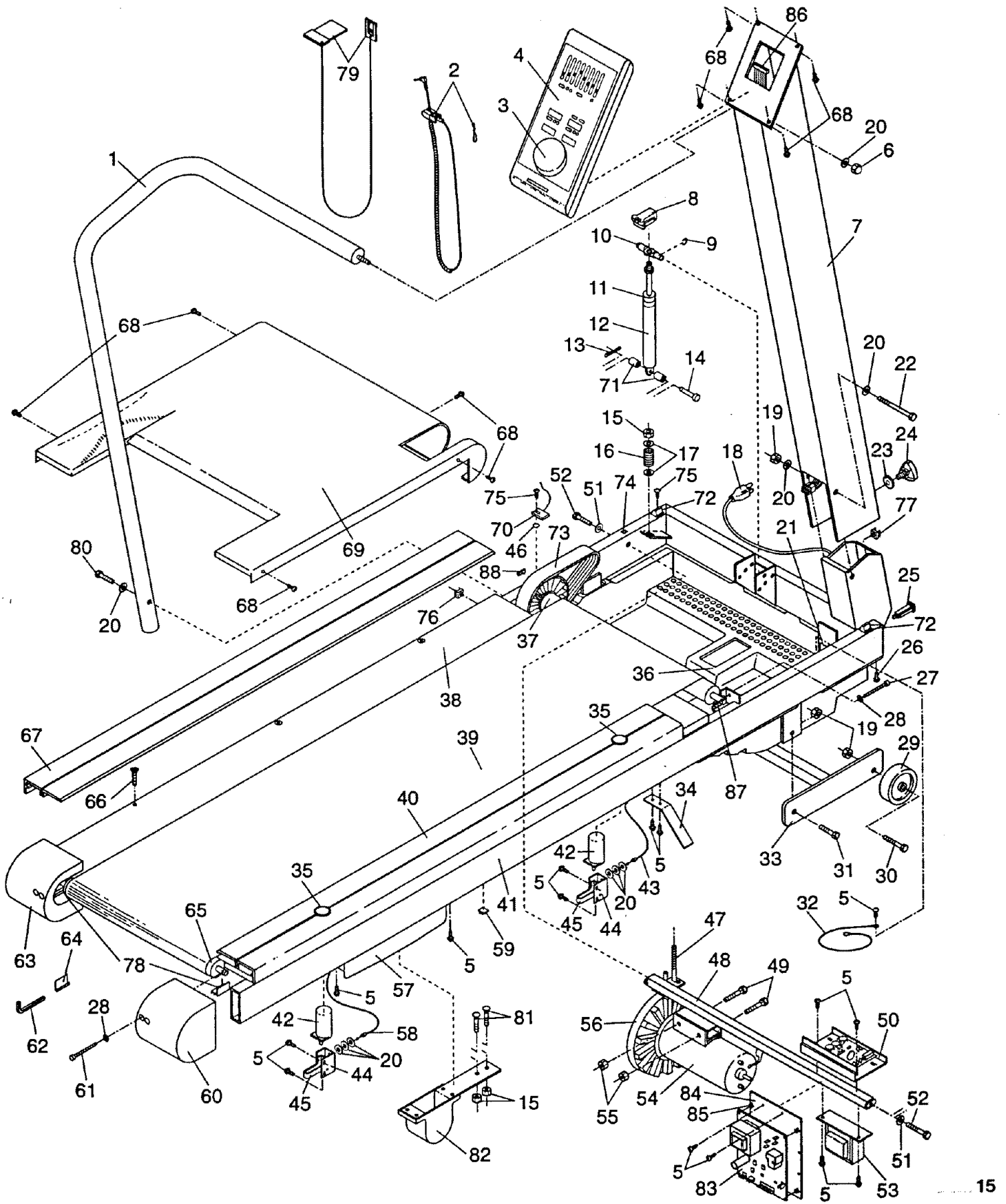
Rev. 10/93

Key No.	Part No.	Qty.	Description	Key No.	Part No.	Qty.	Description
1	114218	1	Handrail	46	014157	1	Star Washer
2	112589	1	Pulse Earclip/Clothes Clip	47	103855	1	J-Bolt
3	110000	1	Manual Speed Control	48	115929	1	Motor Swivel
4	115042	1	Console	49	100994	2	Motor Bolt
5	108080	21	Screw	50	109786	1	Controller
6	114268	1	Acorn Nut	51	014073	2	Motor Swivel Washer
7	115453	1	Upright	52	120008	2	Motor Swivel Bolt
8	110846	1	Shock Release	53	031238	1	Choke
9	054016	1	E-Clip	54	115135	1	Motor
10	008149	1	Shock Bracket	55	105477	2	Motor Nut
11	105309	1	Plastic Spacer	56	108276	1	Pulley/Flywheel/Fan
12	111436	1	Incline Shock	57	114343	2	Cushion Cover
13	106334	1	Cotter Pin	58	110929	1	Long Incline Cable
14	112669	1	Shock Pin	59	111680	3	Cable Bracket
15	012082	5	Nut	60	115679	1	Right Endcap
16	104514	1	Tension Spring	61	013206	2	Rear Roller Adj. Bolt
17	014041	2	Tension Washer	62	045010	1	Allen Wrench
18	031229	1	Power Cord	63	115678	1	Left Endcap
19	012149	5	Locknut	64	016028	1	Wrench Clip
20	014132	10	Handrail/Upright Washer	65	109788	1	Rear Roller
21	019084	1	Grommet	66	100691	6	Platform Screw
22	120003	1	Upright Bolt	67	115137	1	Left Foot Rail
23	014156	1	Lock Knob Washer	68	108404	10	Hood Screw/Console Screw
24	017088	1	Lock Knob	69	115041	1	Motor Hood w/Decal
25	109382	1	Circuit Breaker	70	101743	1	Reed Switch/Sensor Wire
26	104623	10	Safety Cover Pin	71	114270	2	Shock Spacer
27	112609	1	Front Roller Adj. Bolt	72	113106	5	Hood Anchor
28	014127	3	Roller Adjustment Washer	73	115809	1	Belt
29	052014	2	Front Wheel	74	016055	2	Wire Clip
30	013399	2	Front Wheel Bolt	75	013316	5	Anchor Screw/Switch Screw
31	013547	2	Incline Leg Bolt	76	111430	1	Handrail Cage Nut
32	031182	1	Ground Wire	77	111869	1	Upright Cage Nut
33	114258	1	Incline Leg	78	113050	2	Rear Roller Spacer
34	109265	2	Belt Guide	79	114265	1	Safety Key/Clip
35	113227	2	Incline Knob Sleeve	80	112001	1	Handrail Bolt
36	114542	1	Safety Cover	81	110926	4	Cushion Spring Bolt
37	115134	1	Front Roller/Pulley	82	115032	2	Cushion Spring Foot
38	114462	1	Walking Platform	83	115045	1	Power Supply
39	114461	1	Walking Belt	84	106261	1	Power Supply Plate
40	115138	1	Right Foot Rail	85	015071	4	Plastic Stand-Off
41	NSP	1	Frame	86	114340	1	Wire Harness
42	111008	2	Foot Incline Knob	87	105000	1	Right Roller Spacer
43	110928	1	Short Incline Cable	88	114355	1	Left Roller Spacer
44	114926	2	Incline Knob Bracket	#	114337	1	Owner's Manual
45	108427	2	Incline Lever				

Note: "#" indicates a non-illustrated part. Specifications are subject to change without notice. See the back cover for information about ordering replacement parts.

EXPLODED DRAWING—Model No. 831.297250

Rev. 10/93



ORDERING REPLACEMENT PARTS

Each TREADMILL has its own MODEL NUMBER. Always mention this MODEL NUMBER when requesting service or repair parts for your TREADMILL.

All parts listed herein can be ordered through SEARS, ROEBUCK AND CO. SERVICE CENTERS and most SEARS RETAIL STORES. If parts you need are not stocked locally, your order will be transmitted to a SEARS PARTS DISTRIBUTION CENTER for handling.

WHEN ORDERING REPAIR PARTS, ALWAYS GIVE THE FOLLOWING INFORMATION:

1. The MODEL NUMBER of the product (831.297250).
2. The NAME of the product (SEARS LIFESTYLER® 8.0ES treadmill).
3. The PART NUMBER of the part(s) from page 14 of this owner's manual.
4. The DESCRIPTION of the part(s) from page 14 of this owner's manual.

Your SEARS TREADMILL has added value when you consider that SEARS has service units nationwide, staffed with SEARS trained technicians specifically trained on SEARS products, having the parts, tools and equipment to ensure that we meet our pledge to you: "We service what we sell."

Should you ever need repair service or parts, call toll free:

For repair service: **1-800-4-REPAIR** (1-800-473-7247)

For repair parts: **1-800-FON-PART** (1-800-366-7278)

Free Manuals Download Website

<http://myh66.com>

<http://usermanuals.us>

<http://www.somanuals.com>

<http://www.4manuals.cc>

<http://www.manual-lib.com>

<http://www.404manual.com>

<http://www.luxmanual.com>

<http://aubethermostatmanual.com>

Golf course search by state

<http://golfingnear.com>

Email search by domain

<http://emailbydomain.com>

Auto manuals search

<http://auto.somanuals.com>

TV manuals search

<http://tv.somanuals.com>