

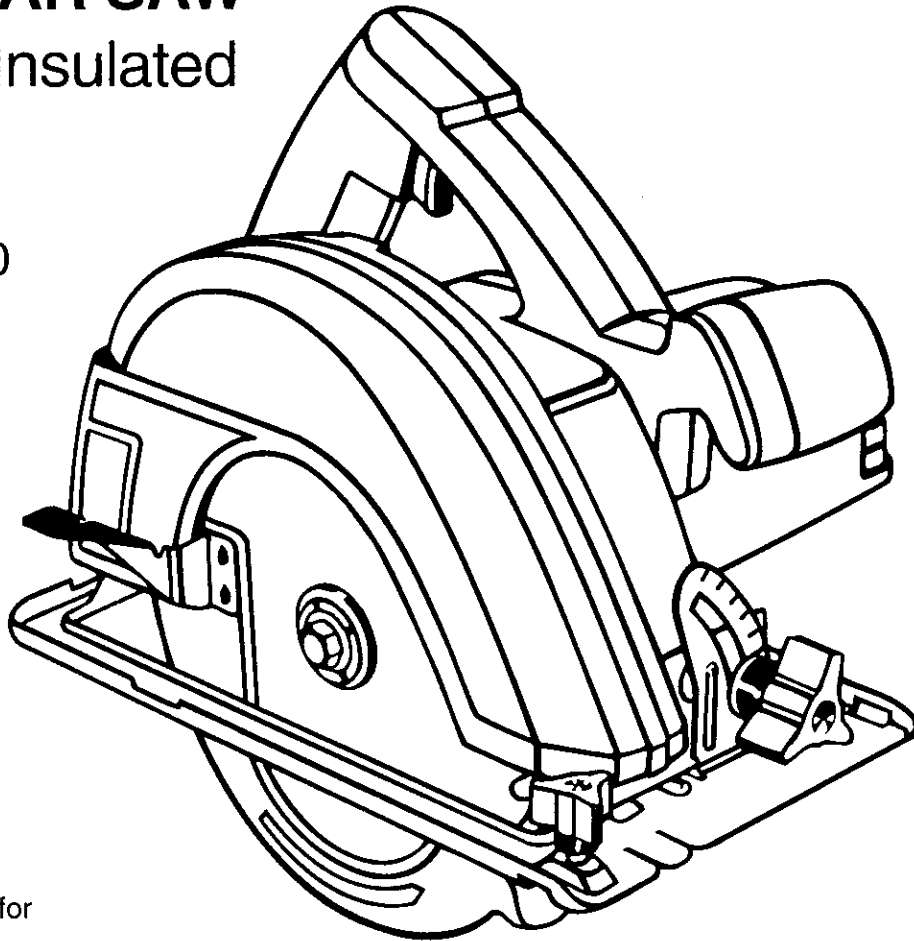
# Owner's Manual

# CRAFTSMAN®

## PROFESSIONAL

## 7-1/4 in. PROFESSIONAL CIRCULAR SAW Double Insulated

Model No.  
315.275160



Save this manual for  
future reference.

**⚠ CAUTION:** Read and follow  
all Safety Rules and Operating  
Instructions before first use of  
this product.

Customer Help Line: 1-800-932-3188

Sears, Roebuck and Co., Hoffman Estates, IL 60179 USA  
Visit the Craftsman web page: [www.sears.com/craftsman](http://www.sears.com/craftsman)

972000-723  
9-00

- Safety
- Features
- Adjustments
- Operation
- Maintenance
- Parts List



# TABLE OF CONTENTS

■ Table Of Contents .....	2
■ Warranty .....	2
■ Introduction .....	2
■ Rules For Safe Operation .....	3-5
■ Product Specifications .....	6
■ Unpacking .....	6
■ Accessories .....	6
■ Features .....	7
■ Adjustments .....	8
■ Operation .....	9-15
■ Maintenance .....	16-17
■ Exploded View and Repair Parts List .....	18-19
■ Parts Ordering / Service .....	20

## WARRANTY

### FULL ONE YEAR WARRANTY ON CRAFTSMAN PROFESSIONAL CIRCULAR SAW

If this **CRAFTSMAN** Professional Circular Saw fails due to a defect in material or workmanship within one year from the date of purchase, Sears will repair it, free of charge.


**WARRANTY SERVICE IS AVAILABLE BY SIMPLY RETURNING THE TOOL TO THE NEAREST SEARS STORE IN THE UNITED STATES.**

This warranty gives you specific legal rights, and you may also have other rights which vary from state to state.

**Sears, Roebuck and Co., Dept. 817WA, Hoffman Estates, IL 60179**

## INTRODUCTION

Your circular saw has many features for making cutting operations more pleasant and enjoyable. Safety, performance and dependability have been given top priority in the design of this saw making it easy to maintain and operate.

 **CAUTION:** Carefully read through this entire owner's manual before using your new circular saw. Pay close attention to the Rules For Safe Operation, Warnings and Cautions. If you use your circular saw properly and only for what it is intended, you will enjoy years of safe, reliable service.

# RULES FOR SAFE OPERATION

The purpose of safety symbols is to attract your attention to possible dangers. The safety symbols, and the explanations with them, deserve your careful attention and understanding. The safety warnings do not by themselves eliminate any danger. The instructions or warnings they give are not substitutes for proper accident prevention measures.

## SYMBOL MEANING



### SAFETY ALERT SYMBOL:

Indicates danger, warning, or caution. May be used in conjunction with other symbols or pictographs.



**DANGER:** Failure to obey a safety warning will result in serious injury to yourself or to others. Always follow the safety precautions to reduce the risk of fire, electric shock and personal injury.



**WARNING:** Failure to obey a safety warning can result in serious injury to yourself or to others. Always follow the safety precautions to reduce the risk of fire, electric shock and personal injury.



**CAUTION:** Failure to obey a safety warning may result in property damage or personal injury to yourself or to others. Always follow the safety precautions to reduce the risk of fire, electric shock and personal injury.

**NOTE:** Advises you of information or instructions vital to the operation or maintenance of the equipment.

## DOUBLE INSULATION

Double insulation is a concept in safety, in electric power tools which eliminates the need for the usual three-wire grounded power cord. All exposed metal parts are isolated from internal metal motor components with protecting insulation. Double insulated tools do not need to be grounded.



**WARNING:** Do not attempt to operate this tool until you have read thoroughly and understand completely all instructions, safety rules, etc. contained in this manual. Failure to comply can result in accidents involving fire, electric shock, or serious personal injury. Save owner's manual and review frequently for continuing safe operation, and instructing others who may use this tool.

## READ ALL INSTRUCTIONS

- **KNOW YOUR POWER TOOL.** Read owner's manual carefully. Learn its applications and limitations as well as the specific potential hazards related to this tool.
- **GUARD AGAINST ELECTRICAL SHOCK BY PREVENTING BODY CONTACT WITH GROUNDED SURFACES.** For example; pipes, radiators, ranges, refrigerator enclosures.
- **KEEP GUARDS IN PLACE AND IN WORKING ORDER.** Never wedge or tie lower blade guard open. Check operation of lower blade guard before each use. Do not use if lower blade guard does not close briskly over saw blade.

## IMPORTANT

Servicing of a tool with double insulation requires extreme care and knowledge of the system and should be performed only by a qualified service technician. For service we suggest you return the tool to your nearest Sears Store for repair. Always use original factory replacement parts when servicing.



**WARNING:** If saw is dropped, lower blade guard or bumper may be bent, restricting full return.

If lower blade guard or bumper become bent or damaged, replace them before reuse.

- **KEEP WORK AREA CLEAN.** Cluttered areas and benches invite accidents.
- **AVOID DANGEROUS ENVIRONMENT.** Don't use power tools in damp or wet locations or expose to rain. Keep work area well lit.
- **KEEP CHILDREN AND VISITORS AWAY.** All visitors should wear safety glasses and be kept a safe distance from work area. Do not let visitors contact tool or extension cord.
- **STORE IDLE TOOLS.** When not in use, tools should be stored in a dry and high or locked-up place – out of the reach of children.
- **DON'T FORCE TOOL.** It will do the job better and safer at the rate for which it was designed.


## RULES FOR SAFE OPERATION (Continued)

- **USE RIGHT TOOL.** Don't force small tool or attachment to do the job of a heavy duty tool. Don't use tool for purpose not intended – for example – A circular saw should never be used for cutting tree limbs or logs.
- **WEAR PROPER APPAREL.** Do not wear loose clothing or jewelry that can get caught in tool's moving parts and cause personal injury. Rubber gloves and nonskid footwear are recommended when working outdoors. Wear protective hair covering to contain long hair and keep it from being drawn into nearby air vents.
- **ALWAYS WEAR SAFETY GLASSES.** Everyday eyeglasses have only impact-resistant lenses; they are **not** safety glasses.
- **PROTECT YOUR LUNGS.** Wear a face or dust mask if the cutting operation is dusty.
- **PROTECT YOUR HEARING.** Wear hearing protection during extended periods of operation.
- **DON'T ABUSE CORD.** Never carry tool by cord or yank it to disconnect from receptacle. Keep cord from heat, oil, and sharp edges.
- **SECURE WORK.** Use clamps or a vise to hold work. It's safer than using your hand and it frees both hands to operate tool.
- **DON'T OVERREACH.** Keep proper footing and balance at all times. Do not use on a ladder or unstable support. Secure tools when working at elevated positions.
- **MAINTAIN TOOLS WITH CARE.** Keep tools sharp and clean for best and safest performance. Follow instructions for lubricating and changing accessories.
- **DISCONNECT TOOLS.** When not in use, before servicing, or when changing attachments, blades, bits, cutters, etc., all tools should be disconnected from power supply.
- **REMOVE ADJUSTING KEYS AND WRENCHES.** Form habit of checking to see that keys and adjusting wrenches are removed from tool before turning it on.
- **AVOID ACCIDENTAL STARTING.** Don't carry plugged-in tool with finger on switch. Be sure switch is off when plugging in.
- **MAKE SURE YOUR EXTENSION CORD IS IN GOOD CONDITION.** When using an extension cord, be sure to use one heavy enough to carry the current your product will draw. An undersized cord will cause a drop in line voltage resulting in loss of power and overheating. A wire gage size (A.W.G.) of at least 12 is recommended for an extension cord 50 feet or less in length. A cord exceeding 100 feet is not recommended. If in doubt, use the next heavier gage. The smaller the gage number, the heavier the cord.
- **OUTDOOR USE EXTENSION CORDS.** When tool is used outdoors, use only extension cords suitable for use outdoors. Outdoor approved cords are marked with the suffix W-A, for example - SJTW-A or SJOW-A.
- **KEEP BLADES CLEAN AND SHARP.** Sharp blades minimize stalling and kickback.
- **KEEP HANDS AWAY FROM CUTTING AREA.** Keep hands away from blades. Do not reach underneath work while blade is rotating. Do not attempt to remove cut material when blade is moving.
- ▲ **WARNING:** Blades coast after turn off.
- **NEVER USE IN AN EXPLOSIVE ATMOSPHERE.** Normal sparking of the motor could ignite fumes.
- **INSPECT TOOL CORDS PERIODICALLY** and if damaged, have repaired by authorized service facility. Stay constantly aware of cord location and keep it well away from the rotating blade.
- **INSPECT EXTENSION CORDS PERIODICALLY** and replace if damaged.
- **KEEP HANDLES DRY, CLEAN, AND FREE FROM OIL AND GREASE.** Always use a clean cloth when cleaning. Never use brake fluids, gasoline, petroleum-based products, or any strong solvents to clean your tool.
- **STAY ALERT AND EXERCISE CONTROL.** Watch what you are doing and use common sense. Do not operate tool when you are tired. Do not rush.
- **CHECK DAMAGED PARTS.** Before further use of the tool, a guard or other part that is damaged should be carefully checked to determine that it will operate properly and perform its intended function. Check for alignment of moving parts, binding of moving parts, breakage of parts, mounting and any other conditions that may affect its operation. A guard or other part that is damaged should be properly repaired or replaced by an authorized service center.
- **DO NOT USE TOOL IF SWITCH DOES NOT TURN IT ON AND OFF.** Have defective switches replaced by an authorized service center.
- **USE RIP FENCE.** Always use a fence or straight edge guide when ripping.

## RULES FOR SAFE OPERATION (Continued)

- **SUPPORT LARGE PANELS.** To minimize the risk of blade pinching and kickback, always support large panels as shown in figure 9, page 10. When cutting operation requires the resting of the saw on the workpiece, the saw should be rested on the larger portion and the smaller piece cut off.

- **LOWER BLADE GUARD.**

 **WARNING:** If lower blade guard must be raised to make a cut, always raise it with the retracting handle to avoid serious injury. See Figure 20, Page 15.

- **GUARD AGAINST KICKBACK.** Kickback occurs when the saw stalls rapidly and is driven back towards the operator. Release switch immediately if blade binds or saw stalls. Don't remove saw from work during a cut while the blade is moving. See Pages 9 and 10.

- **BEFORE MAKING A CUT, BE SURE THE DEPTH AND BEVEL ADJUSTMENTS ARE TIGHT.**

- **USE ONLY CORRECT BLADES.** Do not use blades with incorrect size holes. Never use blade washers or bolts that are defective or incorrect. The maximum blade capacity of your saw is 7-1/4 inches.

- **AVOID CUTTING NAILS.** Inspect for and remove all nails from lumber before cutting.

- **NEVER** touch the blade or other moving parts during use.

- **NEVER** start a tool when its rotating component is in contact with the workpiece.


- **NEVER** lay a tool down before its moving parts have come to a complete stop.

- **DO NOT** operate this tool while under the influence of drugs, alcohol, or any medication.

- **POLARIZED PLUGS.** To reduce the risk of electric shock, this tool has a polarized plug (one blade is wider than the other). This plug will fit in a polarized outlet only one way. If the plug does not fit fully in the outlet, reverse the plug. If it still does not fit, contact a qualified electrician to install the proper outlet. Do not change the plug in any way.


- **WHEN SERVICING USE ONLY IDENTICAL CRAFTSMAN REPLACEMENT PARTS.**

- **SAVE THESE INSTRUCTIONS.** Refer to them frequently and use them to instruct others who may use this tool. If you loan someone this tool, loan them these instructions also.

 **WARNING:** Some dust created by power sanding, sawing, grinding, drilling, and other construction activities contains chemicals known to cause cancer, birth defects or other reproductive harm. Some examples of these chemicals are:

- lead from lead-based paints,
- crystalline silica from bricks and cement and other masonry products, and
- arsenic and chromium from chemically-treated lumber.

Your risk from these exposures varies, depending on how often you do this type of work. To reduce your exposure to these chemicals: work in a well ventilated area, and work with approved safety equipment, such as those dust masks that are specially designed to filter out microscopic particles.

 Look for this symbol to point out important safety precautions. It means attention!!! Your safety is involved.

 **WARNING:**



The operation of any circular saw can result in foreign objects being thrown into your eyes, which can result in severe eye damage. Before beginning power tool operation, always wear safety goggles or safety glasses with side shields and a full face shield when needed. We recommend Wide Vision Safety Mask for use over eyeglasses or standard safety glasses with side shields, available at Sears Retail Stores.

## SAVE THESE INSTRUCTIONS

## PRODUCT SPECIFICATIONS

Horsepower	2.75	Cutting Depth at 45° Bevel Cut	1-13/16 in. (46 mm)
Input	14 Amperes	Rating	120 volts, 60 Hz, AC
Blade Diameter	7-1/4 in. (184 mm)	No Load Speed	5,000 RPM
Blade Arbor	5/8 in. (16 mm)	Net Weight	13 lbs.
Cutting Depth at 0° Bevel Cut	2-3/8 in. (60 mm)		

## UNPACKING

Your circular saw has been shipped completely assembled except for the blade. Inspect it carefully to make sure no breakage or damage has occurred during shipping. If any parts are damaged or missing, contact your nearest Sears Retail Store to obtain replacement parts before attempting to operate saw. A blade, blade wrench, and this owner's manual are also included.



**WARNING:** If any parts are missing, do not operate this tool until the missing parts are replaced. Failure to do so could result in possible serious personal injury.

## ACCESSORIES

The following recommended accessories are currently available at Sears Retail Stores.

- 7-1/4 in. 40 Tooth General Purpose Cut-Off Blade
- 7-1/4 in. 35 Tooth Master Combination Blade
- 7-1/4 in. 200 Tooth Plywood Blade
- 7-1/4 in. 18 Tooth Carbide Blade
- 7-1/4 in. 18 Tooth Mach II Silver Series Carbide Blade
- 7-1/4 in. 24 Tooth Mach II Silver Series Carbide Blade
- 7-1/4 in. 24 Tooth Combination Carbide Blade
- Rip Guide



**WARNING:** The use of attachments or accessories not listed might be hazardous.

# FEATURES

## KNOW YOUR CIRCULAR SAW

See Figure 1.

Before attempting to use any tool, familiarize yourself with all operating features and safety requirements.

Features include easily operated bevel cut and depth of cut adjustment mechanisms; positive 0° bevel stop; length of cut scale; directed air flow for keeping line of cut clear; spindle lock; and blade wrench storage.

## SWITCH

To turn your saw **ON**, depress the switch trigger. Release switch trigger to turn your saw **OFF**.

## APPLICATIONS

(Use only for the purpose listed below)

- Cutting all types of wood products (lumber, plywood, paneling).

## ELECTRICAL CONNECTION

Your circular saw has a precision built electric motor. It should be connected to a **power supply that is 120 volts, 60 Hz, AC only (normal household current)**. Do not operate this tool on direct current (DC). A substantial voltage drop will cause a loss of power and the motor will overheat. If your saw does not operate when plugged into an outlet, double-check the power supply.

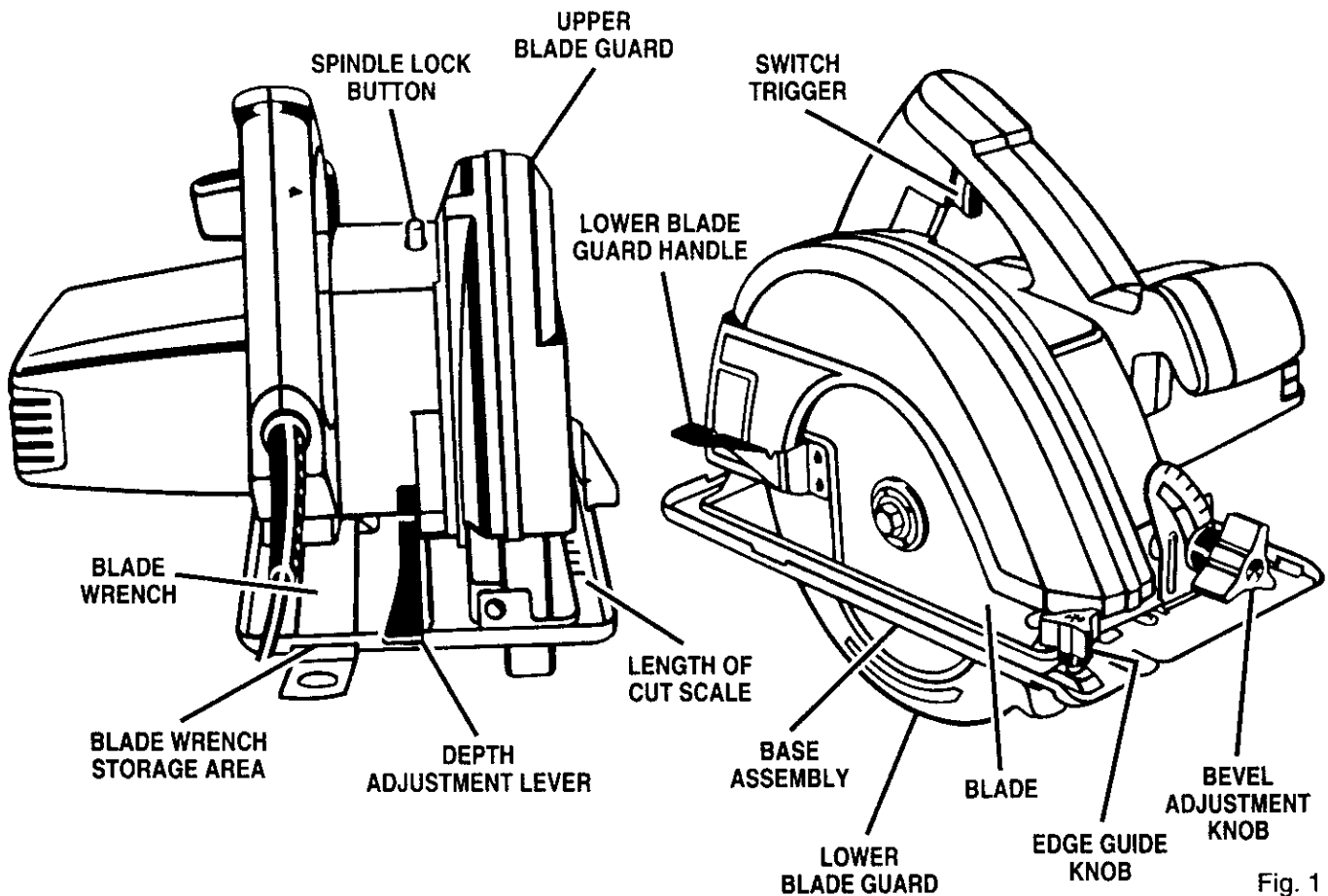


Fig. 1

**⚠ WARNING:** Do not allow familiarity with your saw to make you careless. Remember that a careless fraction of a second is sufficient to inflict severe injury.

## ADJUSTMENTS

**⚠ WARNING:** Your saw should never be connected to power supply when you are assembling parts, making adjustments, assembling or removing blades, cleaning, or when not in use. Disconnecting your saw will prevent accidental starting that could cause serious personal injury.

**⚠ WARNING:** A 7-1/4 in. blade is the maximum blade capacity of your saw. Never use a blade that is too thick to allow outer blade washer to engage with the flat on the spindle. Larger blades will come in contact with the blade guards, while thicker blades will prevent blade screw from securing blade on spindle. Either of these situations could result in a serious accident.

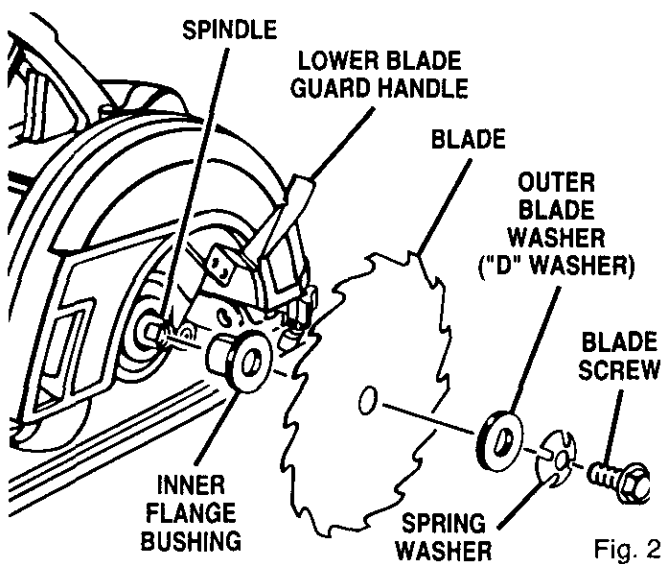
### TO ASSEMBLE OR REMOVE BLADE

- Unplug your saw.

**⚠ WARNING:** Failure to unplug your saw could result in accidental starting causing possible serious personal injury.

### TO ASSEMBLE BLADE:

- Remove blade wrench from storage area. *See Figure 1.*
- Remove blade screw, spring washer and outer blade washer ("D" washer). *See Figure 2.*

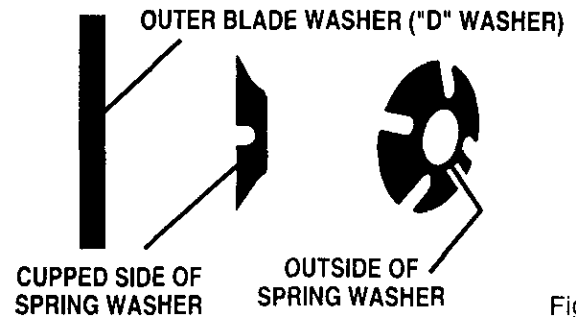


**Note:** Turn blade screw counterclockwise to remove.

- Wipe a drop of oil onto inner flange bushing and outer blade washer ("D" washer) where they contact blade.

**⚠ WARNING:** If inner flange bushing has been removed, replace it before placing blade on spindle. Failure to do so could cause an accident since blade will not tighten properly.

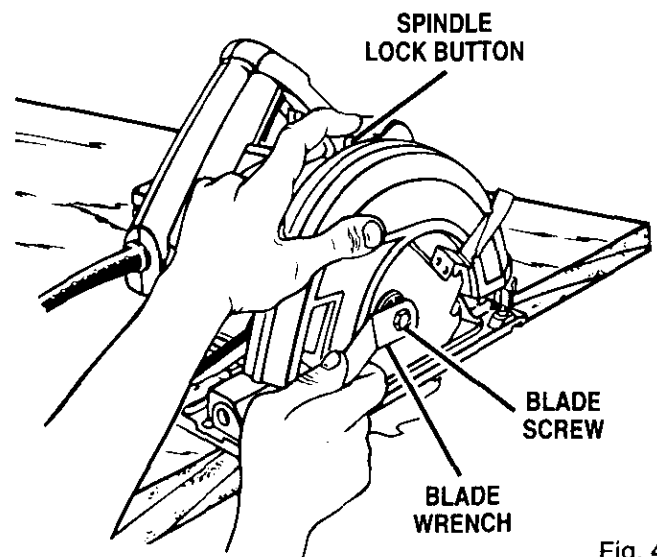
- Fit saw blade inside lower blade guard and onto spindle. **Note:** The saw teeth point upward at the front of saw as shown in figure 2.
- Replace "D" washer and spring washer. **Note:** "Cupped" side of spring washer goes against "D" washer. *See Figure 3.*



- Depress spindle lock button, then replace blade screw. Tighten blade screw securely. **Note:** Turn blade screw clockwise to tighten.
  - Return blade wrench to storage area. **Note:** Always place angled portion of blade wrench up as shown in figure 1.
- REMEMBER:** Never use a blade that is too thick to allow the "D" washer to engage with the flat on the spindle.

### TO REMOVE BLADE:

- Remove blade wrench from storage area. *See Figure 1.*
- Position your saw as shown in figure 4, depress spindle lock button, and remove blade screw. **Note:** Turn blade screw counterclockwise to remove.
- Remove spring washer and outer blade washer ("D" washer). *See Figure 2.* **Note:** Blade can be removed at this point.





# OPERATION

## SAW BLADES

The best of saw blades will not cut efficiently if they are not kept clean, sharp, and properly set. Using a dull blade will place a heavy load on your saw and increase the danger of kickback. Keep extra blades on hand, so that sharp blades are always available.

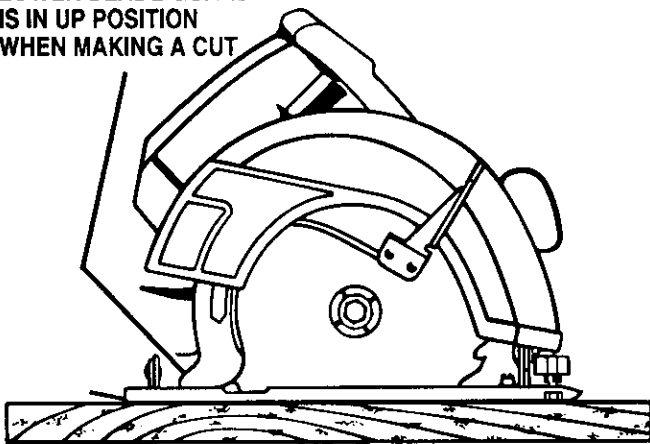
Gum and wood pitch hardened on blades will slow your saw down. Use gum and pitch remover, hot water, or kerosene to remove these accumulations. **Do not use gasoline.**

## BLADE GUARD SYSTEM

The lower blade guard attached to your circular saw is there for your protection and safety. It should never be altered for any reason. If it becomes damaged or begins to return slow or sluggish, do not operate your saw until the damage has been repaired or replaced. Always leave guard in operating position when using saw.

**⚠ DANGER:** When sawing through workpiece, lower blade guard does not cover blade on the underside of workpiece. Since blade is exposed on underside of workpiece, keep hands and fingers away from cutting area. Any part of your body coming in contact with moving blade will result in serious injury. *See Figure 5.*

### LOWER BLADE GUARD IS IN UP POSITION WHEN MAKING A CUT



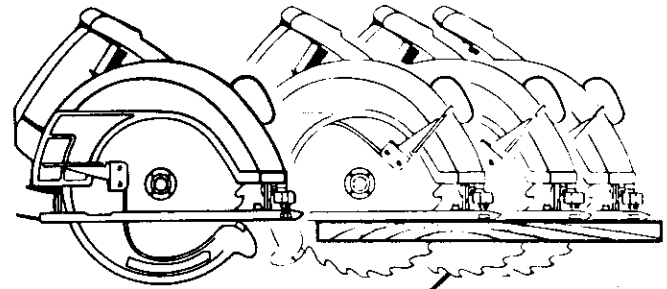
BLADE EXPOSED ON UNDERSIDE OF WORKPIECE

Fig. 5

**⚠ CAUTION:** Never use saw when guard is not operating correctly. Guard should be checked for correct operation before each use. If you drop your saw, check the lower blade guard and bumper for damage at all depth settings before reuse. **Note:** The guard is operating correctly when it moves freely and readily returns to the closed position. If for any reason your lower blade guard does not close freely, take it to the nearest Sears Parts and Repair Center for service before using.

## KICKBACK

*See Figure 6.*



BLADE SET TOO DEEP

Fig. 6

The best guard against kickback is to avoid dangerous practices.

Kickback occurs when the blade stalls rapidly and the saw is driven back towards you. Blade stalling is caused by any action which pinches the blade in the wood.

**⚠ DANGER:** Release switch immediately if blade binds or saw stalls. Kickback could cause you to lose control of your saw. Loss of control can lead to serious injury.

## KICKBACK IS CAUSED BY:

- Incorrect blade depth setting. *See Figure 6.*
- Sawing into knots or nails in workpiece.
- Twisting blade while making a cut.
- Making a cut with a dull, gummed up, or improperly set blade.
- Incorrectly supporting workpiece. *See Figure 7.*

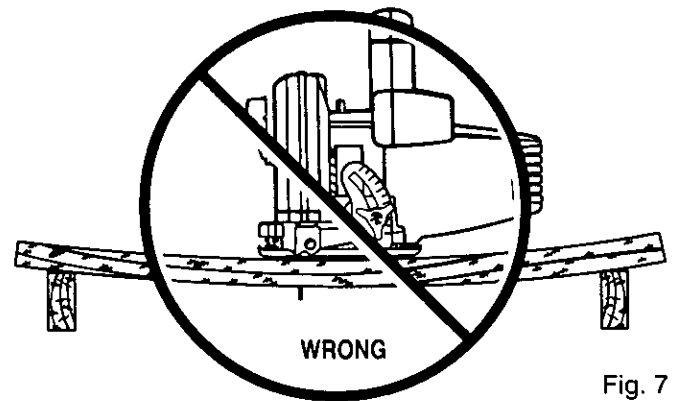


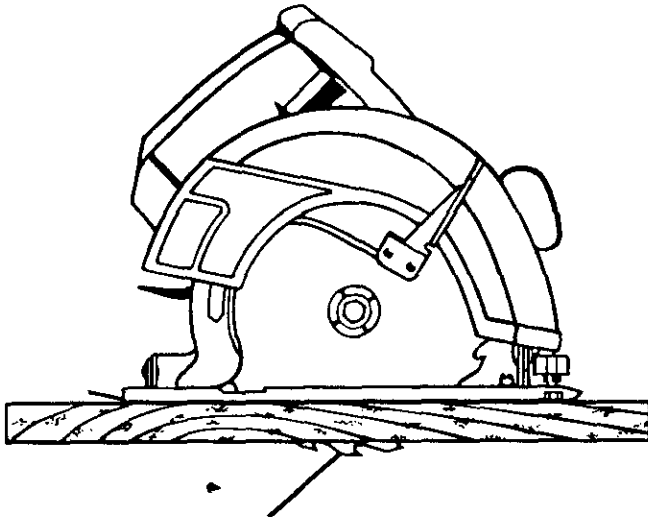
Fig. 7

- Forcing a cut.
- Cutting warped or wet lumber.
- Tool misuse or incorrect operating procedures.

## OPERATION

### TO LESSEN THE CHANCE OF KICKBACK:

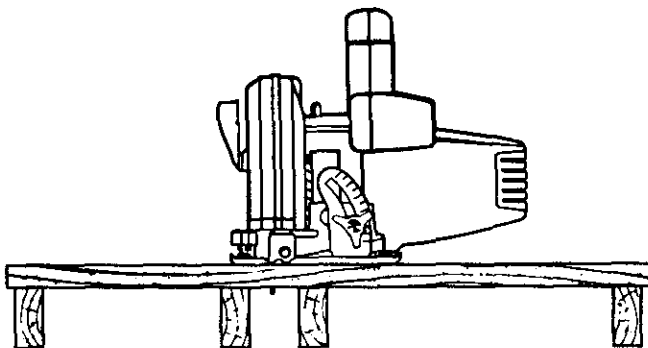
- Always keep the correct blade depth setting – the correct blade depth setting for all cuts should not exceed 1/4 inch below the material to be cut. See Figure 8.



**CORRECT BLADE DEPTH SETTING =  
BLADE EXPOSED 1/4 in. OR  
LESS ON UNDERSIDE OF WORKPIECE**

Fig. 8

- Inspect the workpiece for knots or nails before beginning a cut. Never saw into a knot or nail.
- Make straight cuts. Always use a straight edge guide when rip cutting. This helps prevent twisting the blade in the cut.
- Always use clean, sharp and properly set blades. Never make cuts with dull blades.
- To avoid pinching the blade, support the workpiece properly before beginning a cut. The right and wrong ways to support large pieces of workpiece are shown in figures 7 and 9.



**RIGHT**

Fig. 9

- When making a cut use steady, even pressure. Never force cuts.
- Do not cut warped or wet lumber.
- Always hold your saw firmly with both hands and keep your body in a balanced position so as to resist the forces of kickback should it occur.

**When using your saw, always stay alert and exercise control. Do not remove your saw from workpiece while the blade is moving.**

### DEPTH OF CUT ADJUSTMENT

Always keep correct blade depth setting. The correct blade depth setting for all cuts should not exceed 1/4 inch below the material to be cut. More blade depth will increase the chance of kickback and cause the cut to be rough.

### TO ADJUST BLADE DEPTH

- Unplug your saw.

**⚠ WARNING:** Failure to unplug your saw could result in accidental starting causing possible serious personal injury.

- Loosen depth adjustment lever. See Figure 10.

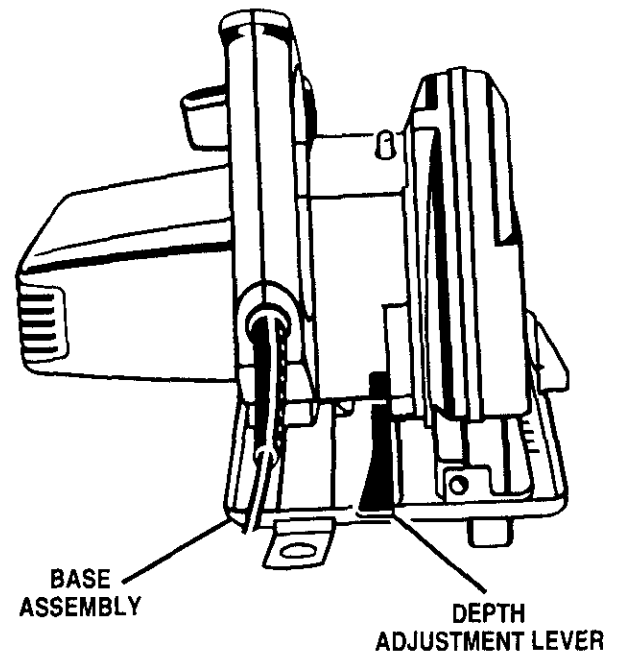


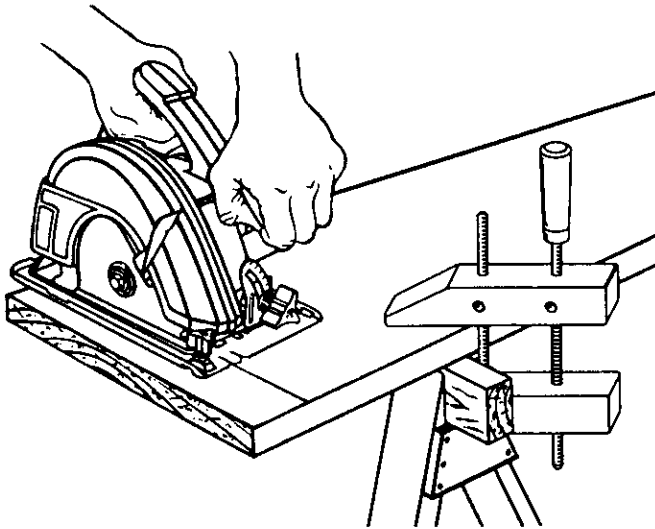
Fig. 10

- Hold base flat against the workpiece and raise or lower saw until the required depth is reached.
- Tighten depth adjustment lever securely.

# OPERATION

## STARTING A CUT

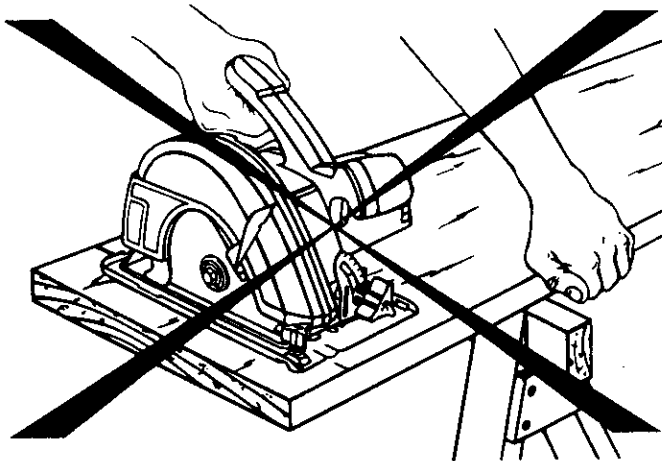
Know the right way to use your saw.  
See Figure 11.



RIGHT

Fig. 11

Never use your saw as shown in figure 12.



WRONG

Fig. 12

Never place your hand on the workpiece behind your saw while making a cut.

**⚠ WARNING:** To make sawing easier and safer, always maintain proper control of your saw. Loss of control of your saw could cause an accident resulting in possible serious injury.

## TO HELP MAINTAIN CONTROL:

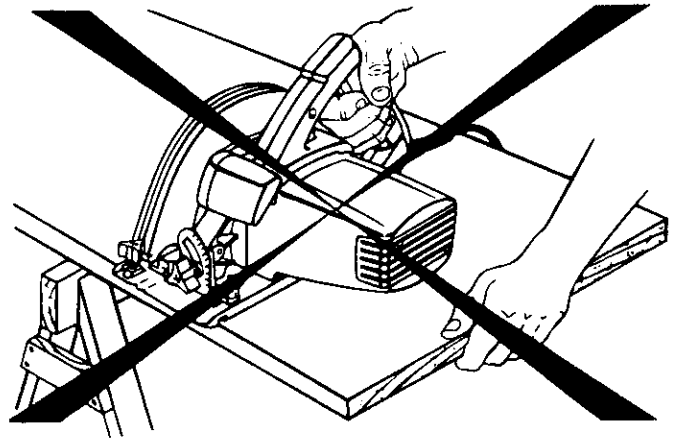
- Always support your workpiece near the cut.
- Support your workpiece so the cut will be on your right.
- Clamp your workpiece so it will not move during the cut.

Place your workpiece with its good side down.

**Note:** The good side is the side on which appearance is important.

Before beginning a cut, draw a guideline along the desired line of cut. Then place front edge of base on that part of your workpiece that is solidly supported. See Figure 11.

Never place your saw on that part of the workpiece that will fall off when the cut is made. See Figure 13.



WRONG

Fig. 13

Keep the cord away from cutting area. **Always** place the cord to prevent it from hanging up on the workpiece while making a cut.

**⚠ DANGER:** If the cord hangs up on the workpiece during a cut, release the switch trigger immediately. Unplug your saw and reposition the cord to prevent it from hanging up again.

**⚠ DANGER:** Using your saw with a damaged cord could result in serious injury or death. If the cord has been damaged, have it replaced before using your saw again.

## OPERATION

Hold your saw firmly with both hands.  
See Figure 14.

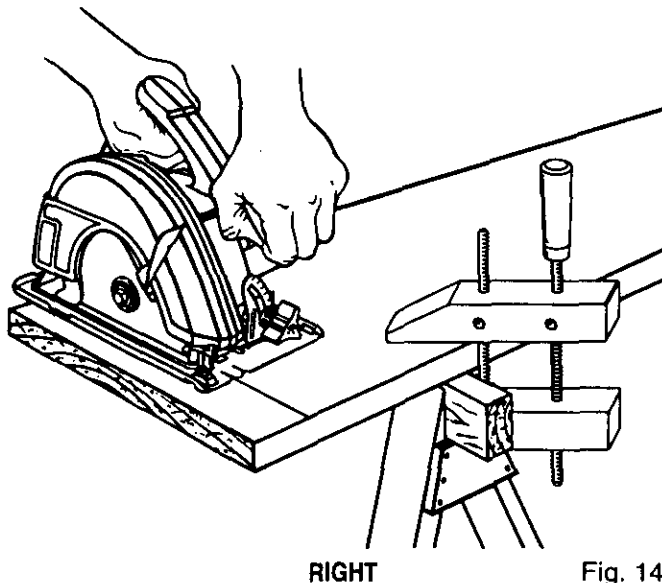


Fig. 14

Squeeze the switch trigger to start your saw. **Always** let the blade reach full speed, then guide your saw into the workpiece.

**WARNING:** The blade coming in contact with the workpiece before it reaches full speed could cause your saw to "kickback" towards you resulting in serious injury.

When making a cut use steady, even pressure. Forcing causes rough cuts, could shorten the life of your saw and could cause "kickback."

### REMEMBER:

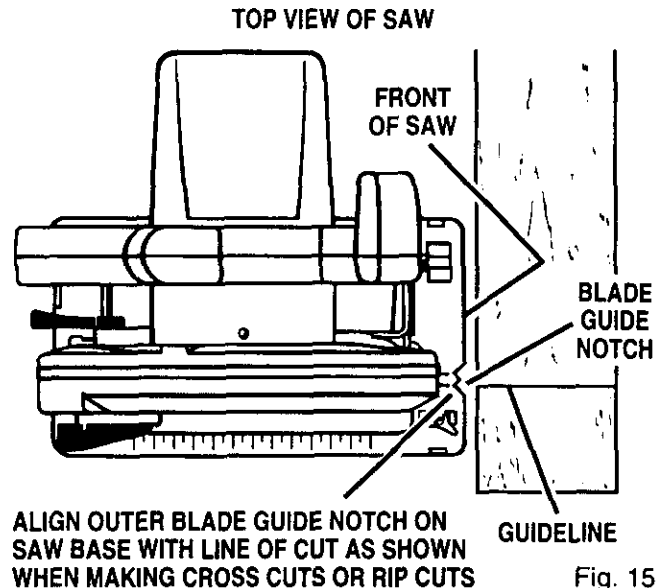
**When sawing through work, the lower blade guard does not cover the blade, exposing it on the underside of work. Keep your hands and fingers away from cutting area. Any part of your body coming in contact with the moving blade will result in serious injury.**

After you complete your cut release the trigger and allow the blade to come to a complete stop. **Do not** remove your saw from workpiece while the blade is moving.

**CAUTION:** When lifting your saw from the workpiece, the blade is exposed on the underside of your saw until the lower blade guard closes. Make sure lower guard is closed before setting your saw down on work surface.

### TO CROSS CUT OR RIP CUT

When making a cross cut or rip cut, align your line of cut with the outer blade guide notch on the saw base as shown in figure 15.



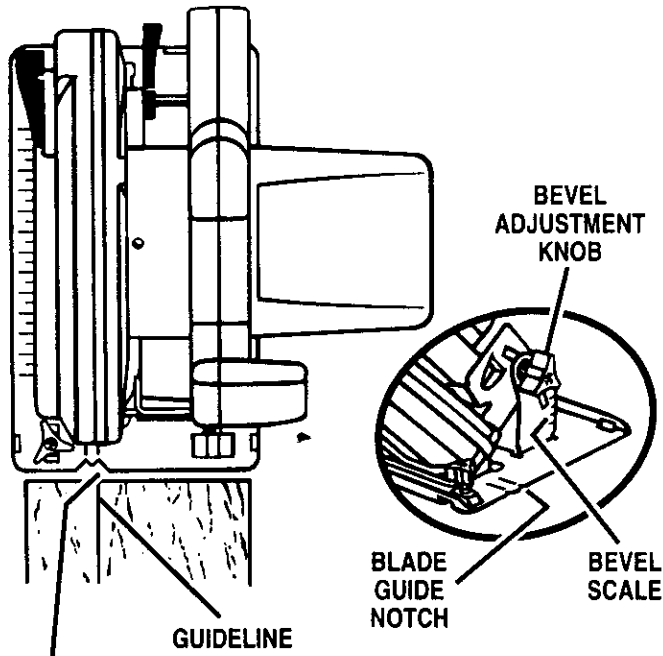
Since blade thicknesses vary, always make a trial cut in scrap material along a guideline to determine how much, if any, the guideline must be offset to produce an accurate cut. **Note:** The distance from the line of cut to the guideline is the amount you should offset the guideline.

## OPERATION

### TO BEVEL CUT

The angle of cut of your saw may be adjusted to any desired setting between zero and 45°.

When making 45° bevel cuts, there is a notch in the saw base to help you line up the blade with the line of cut. See Figure 16.



ALIGN INNER BLADE GUIDE NOTCH ON SAW BASE WITH LINE OF CUT AS SHOWN WHEN MAKING 45° BEVEL CUTS

Fig. 16

Align your line of cut with the inner blade guide notch on the saw base when making 45° bevel cuts.

Since blade thicknesses vary and different angles require different settings, always make a trial cut in scrap material along a guideline to determine how much you should offset the guideline on the board to be cut.

When making a bevel cut hold your saw firmly with both hands as shown in figure 17.

Rest the front edge of the base on the workpiece. Squeeze the switch trigger to start your saw. **Always** let the blade reach full speed, then guide your saw into the workpiece.

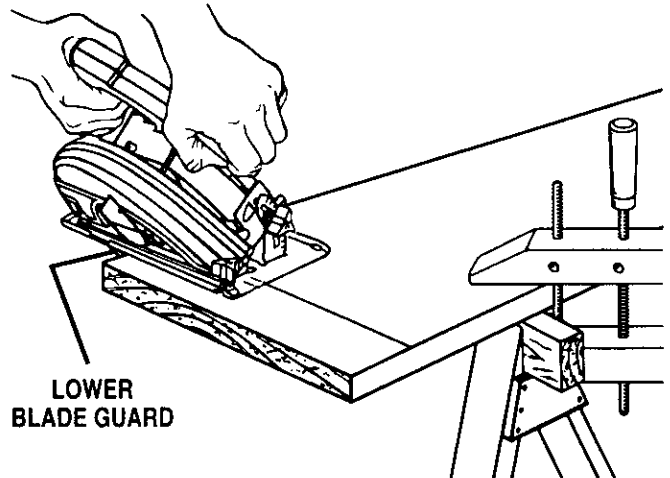


Fig. 17

**WARNING:** The blade coming in contact with the workpiece before it reaches full speed could cause saw to "kickback" toward you resulting in serious injury.

After you complete your cut release the trigger and allow the blade to come to a complete stop. **After** the blade has stopped, lift your saw from the workpiece.

### TO ADJUST BEVEL SETTING

- Unplug your saw.

**WARNING:** Failure to unplug your saw could result in accidental starting causing possible serious personal injury.

- Loosen bevel adjustment knob. See Figure 16.
- Raise motor housing end of saw until you reach desired angle setting on bevel scale. See Figure 16.
- Tighten bevel adjustment knob securely.

**WARNING:** Attempting bevel cut without knob securely tightened can result in serious injury.

# OPERATION

## POSITIVE 0° BEVEL STOP

See Figure 18.

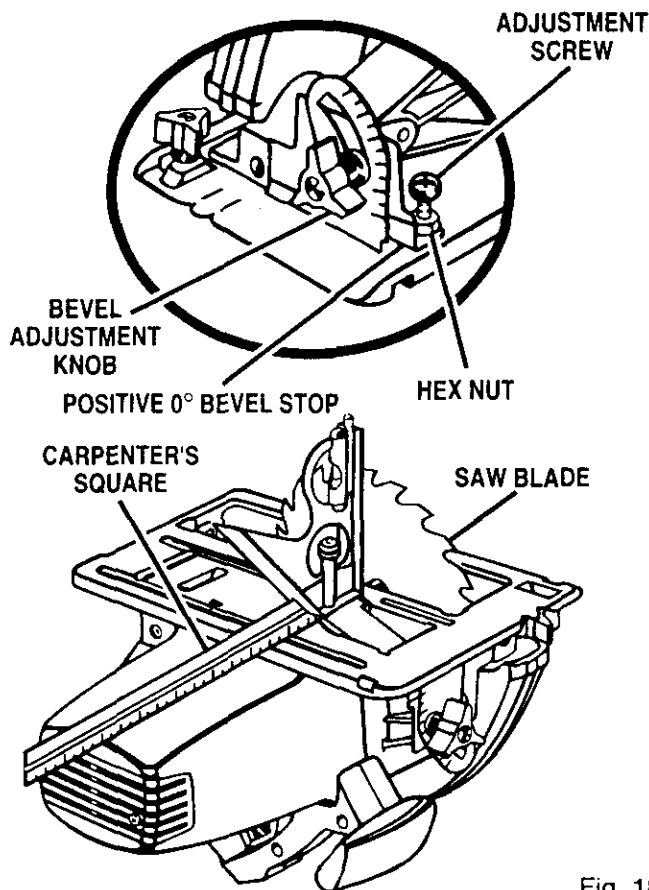


Fig. 18

Your saw has a positive 0° bevel stop, that has been factory adjusted to assure 0° angle of your saw blade when making 90° cuts. However, misalignment can occur during shipping.

### TO CHECK

- Unplug your saw.

**⚠ WARNING:** Failure to unplug your saw could result in accidental starting causing possible serious personal injury.

- Place your saw in an upside down position on workbench. See Figure 18.
- Using a carpenter's square, check squareness of saw blade to the base of your saw.

### TO ADJUST

- Unplug your saw.

**⚠ WARNING:** Failure to unplug your saw could result in accidental starting causing possible serious personal injury.

- Loosen bevel adjustment knob.
- Loosen hex nut securing adjustment screw.
- Turn screw and adjust base until square with saw blade.
- Tighten hex nut and bevel adjustment knob securely.

**⚠ WARNING:** Attempting to make cuts without bevel adjustment knob securely tightened can result in serious injury.

### LENGTH OF CUT SCALE

See Figure 19.

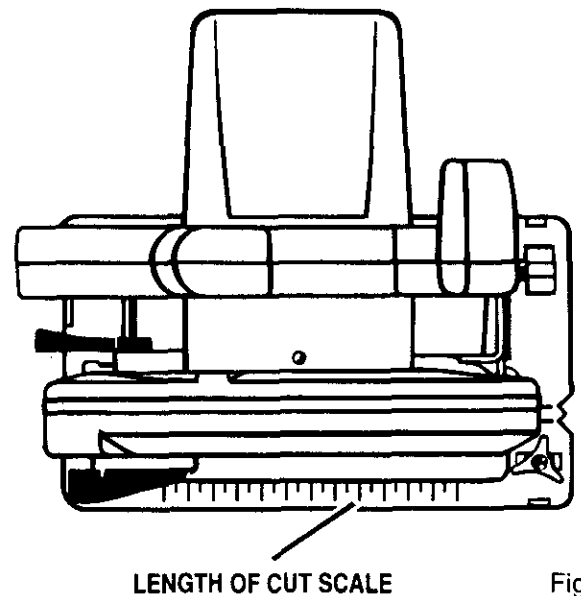


Fig. 19

A length of cut scale has been provided on the base of your saw. It is parallel with the saw blade and can be used to measure the distance into material the blade has cut. **Note:** Six inches is the maximum length of cut that can be measured. Also, it is accurate only when the depth of cut is set at full maximum depth.

# OPERATION

## TO POCKET CUT

See Figure 20.

**⚠ WARNING:** Always adjust bevel setting to zero before making a pocket cut. Attempting a pocket cut at any other setting can result in loss of control of your saw possibly causing serious injury.

Adjust the bevel setting to zero, set blade to correct blade depth setting, and swing the lower blade guard up using the lower blade guard handle.

**Always raise the lower blade guard with the handle to avoid serious injury.**

While holding lower blade guard by the handle, firmly rest the front of the base flat against the workpiece with the rear of the handle raised so the blade does not touch the workpiece. See Figure 20.

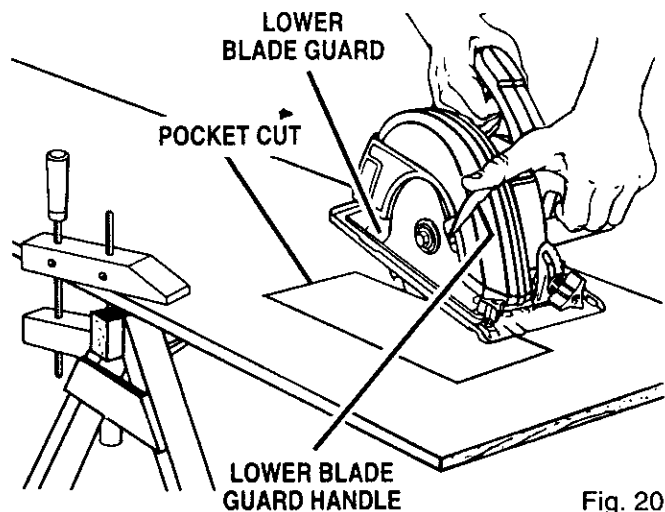


Fig. 20

Squeeze the switch trigger to start your saw. **Always let the blade reach full speed then slowly lower blade into the workpiece until base is flat against workpiece.**

After you complete your cut release the trigger and allow the blade to come to a complete stop. After the blade has stopped, remove it from the workpiece. Corners may then be cleared out with a hand saw or sabre saw.

**⚠ WARNING:** Never tie the lower blade guard in a raised position. Leaving the blade exposed could lead to serious injury.

## TO RIP CUT OPTIONAL RIP GUIDE (EDGE GUIDE)

See Figure 21.

Use a guide when making long or wide rip cuts with your saw. An optional rip guide with a five inch scale is available at your Sears Retail Store, or you can make an efficient rip guide by clamping a straight edge to your workpiece. Secure the workpiece. Using

C-clamps, firmly clamp a straight edge to the workpiece and guide the saw along the straight edge to achieve a straight rip cut. Do not bind the blade in the cut. If using the optional rip guide, see the following instructions and Figure 22.

## ALTERNATE METHOD FOR RIP CUTTING

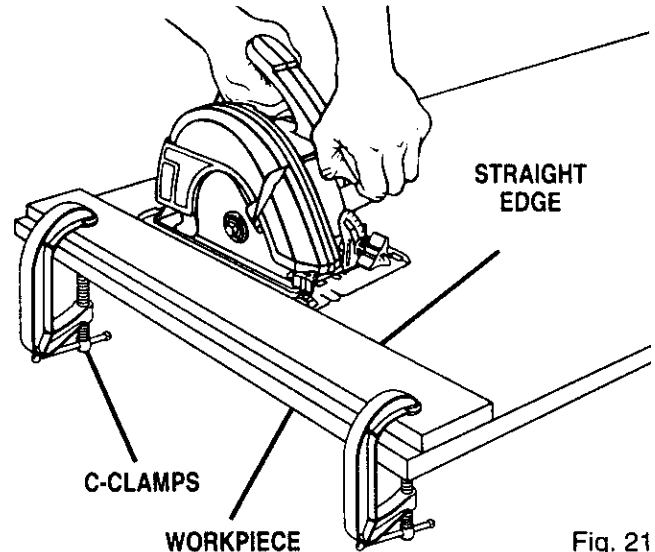


Fig. 21

## TO ASSEMBLE OPTIONAL RIP GUIDE

■ Unplug your saw.

**⚠ WARNING:** Failure to unplug your saw could result in accidental starting causing possible serious personal injury.

■ Place rip guide through holes in saw base as shown in Figure 22.

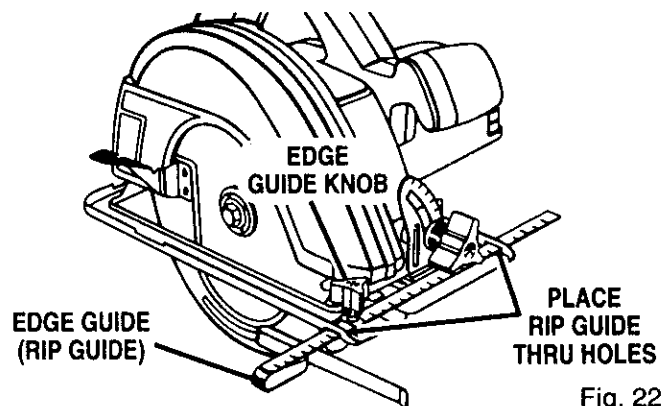



Fig. 22

■ Adjust rip guide to the length needed for the cut.  
■ Tighten edge guide knob securely.

When using a rip guide, position the face of the rip guide firmly against the edge of workpiece. This makes for a true cut without pinching the blade. The guiding edge of workpiece must be straight for your cut to be straight. Use caution to prevent the blade from binding in the cut.


## MAINTENANCE

 **WARNING:** When servicing, use only identical Craftsman replacement parts. Use of any other part may create a hazard or cause product damage.


### GENERAL

Only the parts shown on parts list, page 19, are intended to be repaired or replaced by the customer. All other parts represent an important part of the double insulation system and should be serviced only by a qualified Sears service technician.

Avoid using solvents when cleaning plastic parts. Most plastics are susceptible to damage from various types of commercial solvents and may be damaged by their use. Use clean cloths to remove dirt, carbon dust, etc.

 **WARNING:** Do not at any time let brake fluids, gasoline, petroleum-based products, penetrating oils, etc. come in contact with plastic parts. They contain chemicals that can damage, weaken or destroy plastic.

It has been found that electric tools are subject to accelerated wear and possible premature failure when they are used on fiberglass boats, sports cars, wallboard, spackling compounds, or plaster. The chips and grindings from these materials are highly abrasive to electric tool parts such as bearings, brushes, commutators, etc. Consequently, it is not recommended that this tool be used for extended work on any fiberglass material, wallboard, spackling compounds, or plaster. During any use on these materials it is extremely important that the tool is cleaned frequently by blowing with an air jet.

 **WARNING:** Always wear safety goggles or safety glasses with side shields during power tool operation or when blowing dust. If operation is dusty, also wear a dust mask.

### LUBRICATION

All of the bearings in this tool are lubricated with a sufficient amount of high grade lubricant for the life of the unit under normal operating conditions. Therefore, no further lubrication is required.


---


### EXTENSION CORDS

The use of any extension cord will cause some loss of power. To keep the loss to a minimum and to prevent tool overheating, use an extension cord that is heavy enough to carry the current the tool will draw.

A wire gage size (A.W.G.) of at least 12 is recommended for an extension cord 50 feet or less in length. When working outdoors, use an extension cord that is suitable for outdoor use. The cord's jacket will be marked **WA**.

Extension cords suitable for use with your circular saw are available at your nearest Sears Retail Store.

 **CAUTION:** Keep extension cords away from the cutting area and position the cord so that it will not get caught on lumber, tools, etc., during cutting operation.

 **WARNING:** Check extension cords before each use. If damaged replace immediately. Never use tool with a damaged cord since touching the damaged area could cause electrical shock resulting in serious injury.



# MAINTENANCE

## POWER CORD OR SWITCH REPLACEMENT

- Unplug your saw.

**⚠ WARNING:** Failure to unplug your saw could result in accidental starting causing possible serious personal injury.

- Remove screws securing handle cover.  
*See Figure 23.*
- Carefully lift handle cover away from tool.
- Note the locations of all lead wiring inside the handle and how each connection has been made.  
**Important:** When the new cord or switch is installed, identical connections must be made.
- Remove the lead wires from the switch by inserting a 1/32 inch diameter pin or nail into each switch lead receptacle and pull the lead wires as shown in figure 23. This will release the wires. Remove the pin or nail with a twisting motion.
- To replace lead wires, push each lead wire into its proper receptacle. **Note:** Be sure to push lead wires into switch as far as possible.
- Locate the switch in the handle and place all wiring so it cannot be pinched or contact screws when handle cover is replaced.
- Replace handle cover and screws.
- Tighten screws securely.

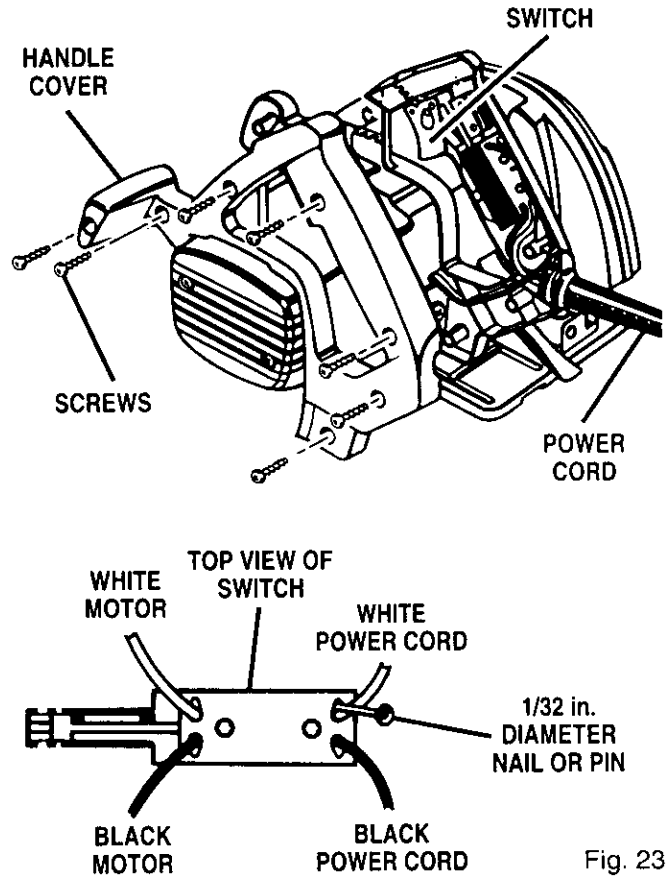
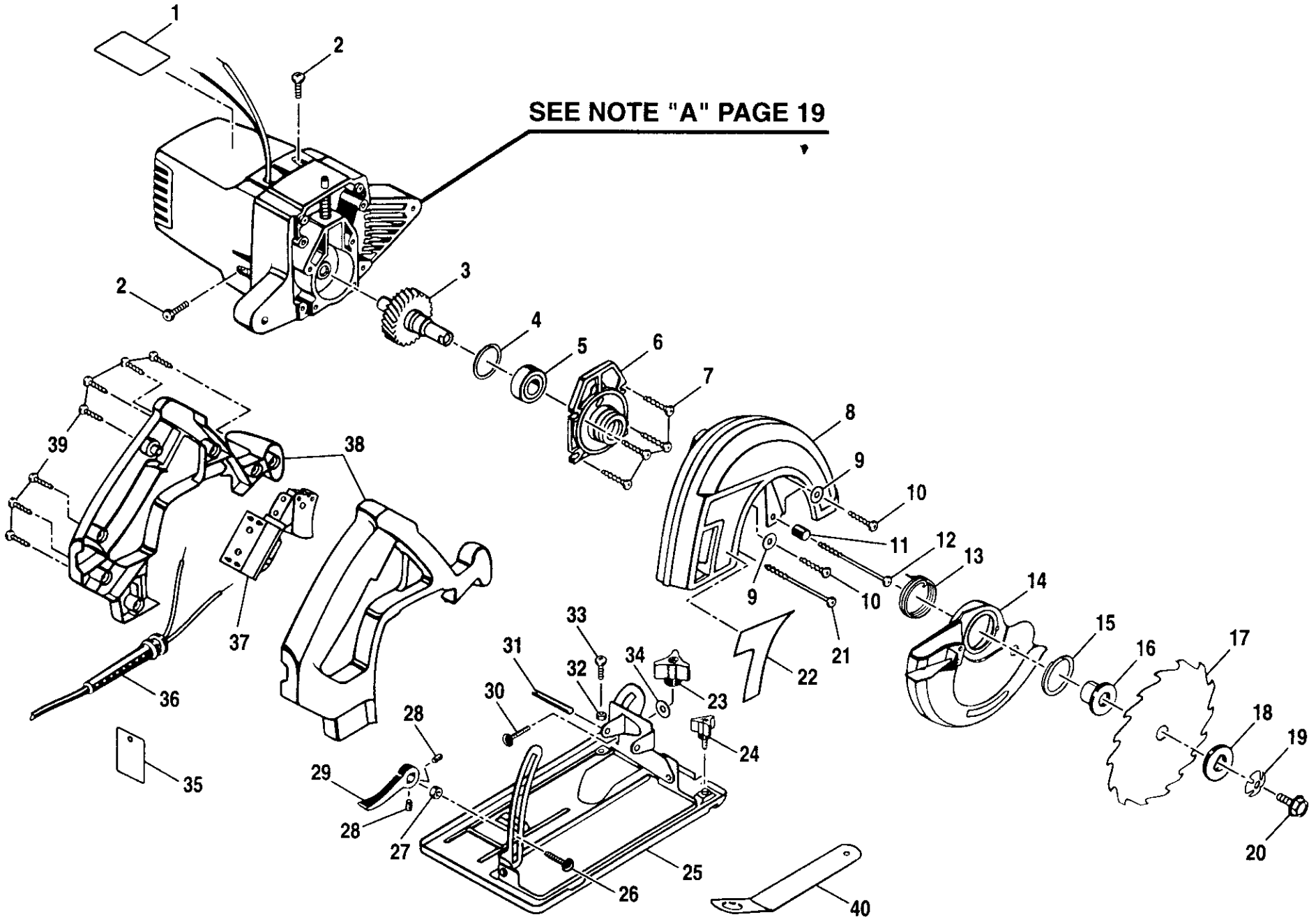


Fig. 23

## NOTES

CRAFTSMAN PROFESSIONAL CIRCULAR SAW – MODEL NUMBER 315.275160

SEE NOTE "A" PAGE 19



## CRAFTSMAN PROFESSIONAL CIRCULAR SAW – MODEL NUMBER 315.275160

The model number will be found on a plate attached to the motor housing. Always mention the model number in all correspondence regarding your **CIRCULAR SAW** or when ordering repair parts.

### SEE BACK PAGE FOR PARTS ORDERING INSTRUCTIONS

#### PARTS LIST

Key No.	Part Number	Description	Quan.	Key No.	Part Number	Description	Quan.
1	981811-001	Data Plate .....	1	23	999529-002	Bevel Adjustment Knob .....	1
2	617205-002	* Screw (#1/4-20 x 5/8 in. Pan Hd.) .....	2	24	999524-001	Edge Guide Knob .....	1
3	968633-001	Gear and Spindle .....	1	25	969634-002	Base Assembly .....	1
4	617096-002	Retaining Ring .....	1	26	**STD532512	* Carriage Bolt (#1/4-20 x 1-1/4 in.) .....	1
5	615972-004	Ball Bearing (NTN#6003LLBC3/1E) .....	1	27	**STD541025	* Hex Nut (#1/4-20) .....	1
6	968032-000	Lower Blade Guard Support .....	1	28	**STD500802	* Set Screw (#8-32 x 3/16 in. Hex Socket) .....	2
7	622180-015	* Screw (#8-32 x 5/8 in. Pan Hd.) .....	4	29	617006-005	Lock Lever .....	1
8	969394-003	Fixed Blade Guard .....	1	30	**STD532507	* Carriage Bolt (#1/4-20 x 5/8 in.) .....	1
9	**STD551010	* Washer .....	2	31	941401-815	Roll Pin .....	1
10	**STD510805	* Screw (#8-32 x 1/2 in. Pan Hd.) .....	2	32	**STD541008	* Hex Nut (#8-32) .....	1
11	999647-001	Bumper .....	1	33	614658-006	* Screw (#8-32 x 5/8 in. Fil. Hd.) .....	1
12	617966-027	* Screw (#8-10 x 3-5/8 in. Pan Hd.) .....	1	34	**STD551025	* Washer .....	1
13	967952-001	Torsion Spring .....	1	35	990147-001	Warning Tag .....	1
14	974771-001	Lower Blade Guard Assembly .....	1	36	969276-003	Cord .....	1
15	718602-804	Retaining Ring .....	1	37	617108-003	Switch .....	1
16	999505-003	Inner Flange Bushing .....	1	38	968462-000	Handle Assembly .....	1
17	***	Saw Blade 7-1/4 in. for 5/8 in. Arbor .....	1	39	617966-013	* Screw (#8-10 x 7/8 in. Pan Hd.) .....	7
18	998463-001	Outer Blade Washer .....	1	40	967074-002	Wrench .....	1
19	623547-002	Spring Washer .....	1	41	***	Optional Edge Guide (Item No. 9-27679) – Not Shown .....	1
20	612999-001	Blade Screw .....	1	42	976913-001	Carrying Case – Not Shown .....	1
21	617966-026	* Screw (#8-10 x 3-1/8 in. Pan Hd.) .....	1		972000-723	Owner's Manual	
22	981813-001	Logo Plate .....	1				

**NOTE: "A"– The assembly shown represents an important part of the Double Insulated System. To avoid the possibility of alteration or damage to the system, service should be performed by your nearest Sears Repair Center. Contact your nearest Sears Retail Store for Service Center information.**

\* Standard Hardware Item — May Be Purchased Locally

\*\* Available From Div. 98 — Source 980.00

\*\*\* Complete Assortment Available At Your Nearest Sears Retail Store

# Get it fixed, at your home or ours!

For repair of major brand appliances **in your own home...**  
no matter who made it, no matter who sold it!

**1-800-4-MY-HOME<sup>SM</sup>** Anytime, day or night  
(1-800-469-4663)

[www.sears.com](http://www.sears.com)

To bring in products such as vacuums, lawn equipment and electronics  
for repair, call for the location of your nearest **Sears Parts & Repair Center.**

**1-800-488-1222** Anytime, day or night

[www.sears.com](http://www.sears.com)

For the replacement parts, accessories and owner's manuals  
that you need to do-it-yourself, call **Sears PartsDirect<sup>SM</sup>!**

**1-800-366-PART** 6 a.m. – 11 p.m. CST,  
(1-800-366-7278) 7 days a week

[www.sears.com/partsdirect](http://www.sears.com/partsdirect)

To purchase or inquire about a Sears Service Agreement:

**1-800-827-6655**

7 a.m. – 5 p.m. CST, Mon. – Sat.

Para pedir servicio de reparación a domicilio,  
y para ordenar piezas con entrega a domicilio:

**1-888-SU-HOGAR<sup>SM</sup>**  
(1-888-784-6427)

Au Canada pour service en français:

**1-877-LE-FOYER<sup>SM</sup>**  
(1-877-533-6937)



## Free Manuals Download Website

<http://myh66.com>

<http://usermanuals.us>

<http://www.somanuals.com>

<http://www.4manuals.cc>

<http://www.manual-lib.com>

<http://www.404manual.com>

<http://www.luxmanual.com>

<http://aubethermostatmanual.com>

Golf course search by state

<http://golfingnear.com>

Email search by domain

<http://emailbydomain.com>

Auto manuals search

<http://auto.somanuals.com>

TV manuals search

<http://tv.somanuals.com>