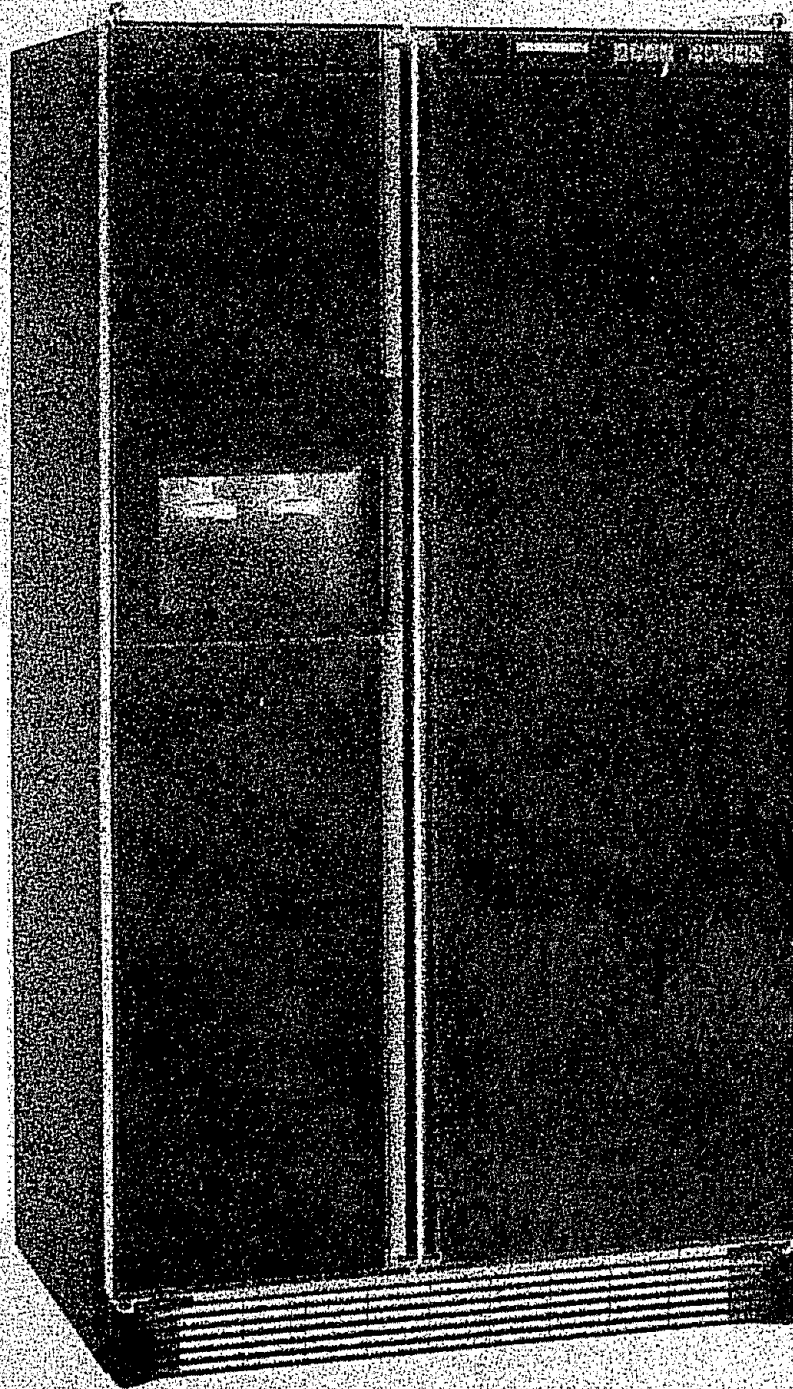


Lady Kenmore
Owner's Manual



SEARS

Sears Service Is At Your Service

Your Kenmore has added value when you consider that Sears has nationwide service units staffed by Sears-trained technicians...professional technicians specifically trained to service SEARS appliances, having the parts, tools and equipment to insure that we meet our pledge to you. "We Service What We Sell."

ADD TO THE VALUE OF YOUR KENMORE, BUY A SEARS MAINTENANCE AGREEMENT

Sears Kenmore refrigerators are designed, built and tested for years of dependable use. Yet any modern appliance may need service from time to time. The Sears warranty, plus the Sears maintenance agreement give protection from unexpected repair bills. Contact your salesman or nearest service center for details.

For future use, please record the model number, serial number and the date you purchased your Kenmore refrigerator in the spaces provided below:

Model Number _____

Serial Number _____

Date Purchased _____

WARNING

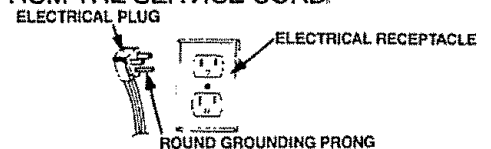
Electrical Grounding Instructions—This appliance is equipped with a three-prong (grounding) plug for your protection against possible shock hazards. Where a two-prong wall receptacle is encountered, it is the personal responsibility and obligation of the customer to contact a qualified electrician and have it replaced with a properly grounded three-prong wall receptacle in accordance with the National Electrical Code (see figure.)

Unit is designed to operate on a separate 103 to 126 V.A.C., 15 amp., 60 cycle line.

DO NOT UNDER ANY CIRCUMSTANCES CUT OR REMOVE THE ROUND GROUNDING PRONG FROM THE PLUG. THE UNIT MUST BE GROUNDED AT ALL TIMES. DO NOT REMOVE WARNING TAG FROM THE SERVICE CORD.

WARNING

DO NOT USE A TWO-PRONG ADAPTER
DO NOT USE AN EXTENSION CORD.



Contents Page

Electrical Warning.....	2	Checking Food Temperatures.....	18
Unpacking.....	3	Refrigerator Features.....	18
Door Handle Removal.....	3	Freezer Features.....	20
Door Assembly Removal.....	4	Other Features.....	21
Connecting the Ice and Water.....	6	Sounds.....	21
Placement and Leveling.....	6	Care and Cleaning.....	22
Dimensions.....	7	Non-Use Periods.....	24
Operating Ice and Water Dispenser.....	8	Save Energy.....	
General Features.....	11	Before Calling For Service.....	
Electronic Controls.....	12	Warranty Information.....	28

Unpacking and Door Handle Removal

CAUTION

To Avoid The Risk Of Personal Injury, Use Caution In Unpacking, Handling, Removing, Installing and Cleaning All Parts Of Product Which May Have Sharp Edges.

CAUTION

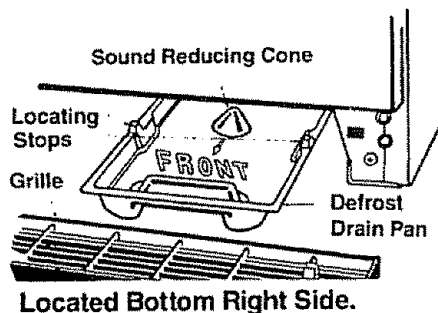
To Avoid The Risk Of Personal Injury, Wear Protective Hand Covering.

Remove all tape and packing material. To remove tape residue, touch a portion of the tape to the residue and lift it off. If adhesive residue still remains, try cleaning the sticky area with a clean cloth soaked in mild dish washing soap. Wipe area clean.

If the wood base is still attached, have someone help you tilt the unit onto its back, placing a sturdy support underneath. Remove the mounting bolts from the base and discard bolts and wood base.

IMPORTANT! Do not leave the cabinet on its back longer than it takes to remove the wooden base and do not connect the power cord until after all the inside packing has been removed and the cabinet has been leveled for proper operation.

IMPORTANT!
Must Install the Defrost Pan As Shown



With the unit upright, pull the grille from the bottom front and make sure the defrost drain pan is located underneath defrost water drain tube. Two drain pan side supports (attached to the cabinet bottom) keep the pan in the proper location, to make the automatic defrost drain water drop on the sound reducing cone. The drain pan locating stops pre-

vent the pan from being installed backwards.

Remove all tape and packing material from inside the unit.

SPECIAL NOTE: If Cabinet is unable to fit through doorway safely, you may have to remove the door handles or door assemblies. Refer to the following chart and diagrams.

To Remove Door Handles

WARNING

To Avoid The Risk Of Personal Injury, Property Damage Or Death unplug the refrigerator before attempting to remove the door handles.

1. REMOVE THE FREEZER TOP DOOR EDGE TRIM PIECE. Remove the screws holding the trim to the top of the door. See Figure 1. Remove the top door edge trim by sliding the top door edge trim to the right and lifting up. See Figure 2.

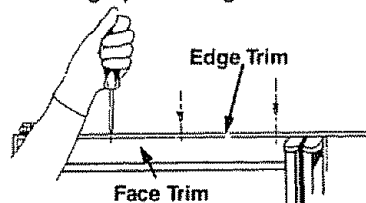


FIGURE 1

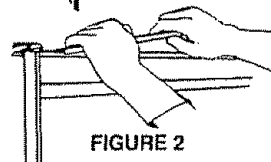


FIGURE 2

2. REPLACE TWO SCREWS. Temporarily replace two screws to hold the second trim strip underneath. DO NOT REMOVE THE SECOND TRIM STRIP FROM THE DOOR. See Figure 3.

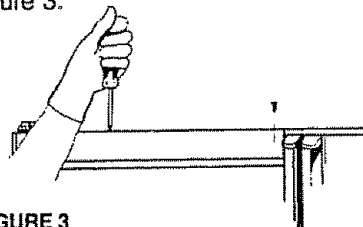


FIGURE 3

3. REMOVE THE TOP HANDLE CAP. Push upward to unsnap the handle cap from the track in the base of the handle. Hold cap to prevent it from

dropping once free from the handle track. See Figure 4.

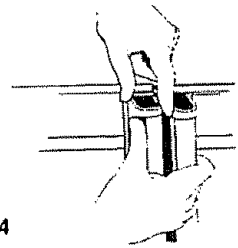


FIGURE 4

CAUTION

To avoid the risk of property damage DO NOT kink the trim strips.

4. REMOVE THE HANDLE TRIM STRIP. Remove the trim strip from the handle track. Bend the strip gently if necessary, to clear the ceiling. DO NOT KINK. See Figure 5.

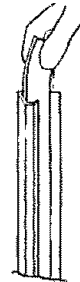


FIGURE 5

CAUTION

To Avoid Personal Injury, securely hold onto the door handles while removing screws.

5. REMOVE THE HANDLE. Unscrew the seven exposed handle mounting screws. See Figure 6.

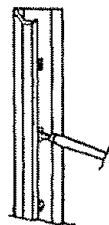


FIGURE 6

6. Handles will easily fall away.
7. Repeat process for refrigerator door.
8. The electronic keypad is electrically connected to the refrigerator door face trim piece. Use care in handling so as not to pull the electrical connection.

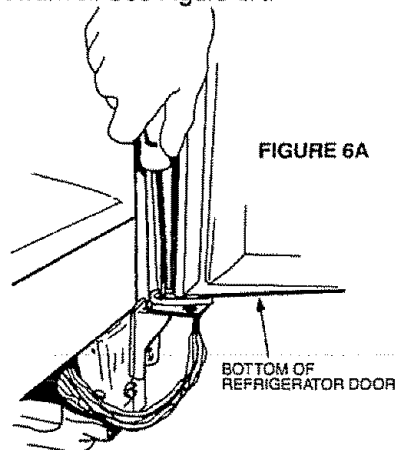
Door Assembly Removal

To Remove The Door Assemblies (Do NOT remove the door handles)

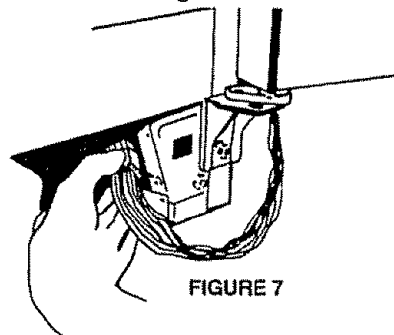
Tools Needed: Phillips Screwdriver and a 5/16 Nut Driver

WARNING
TO AVOID THE RISK OF PERSONAL INJURY OR DEATH DISCONNECT THE POWER CORD BEFORE PROCEEDING.

1. Remove the toe grille.
2. Open refrigerator door to gain access to door closure screw. See Figure 6A.
3. Unscrew bottom refrigerator door closure screw with a Phillips Screwdriver. See Figure 6A.



4. Disconnect wire harness at connector. Push lock tab on underside of connector up and then pull loose. See Figure 7.



5. **CAUTION**
To Avoid the Risk Of Personal Injury Or Property Damage tape the top of the doors as shown in Figure 8.

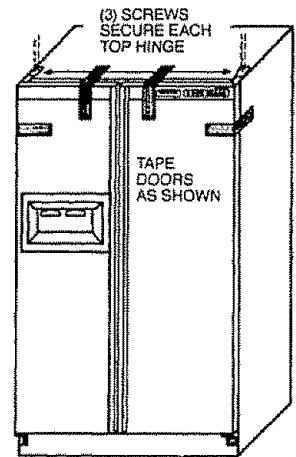


FIGURE 8

6. Remove the top hinge covers. See Figure 9.

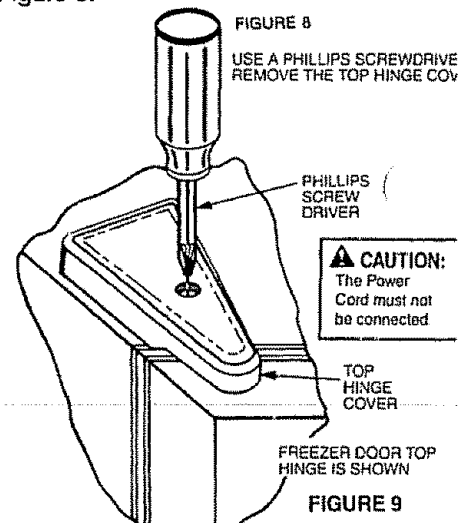


FIGURE 9

7. Disconnect top hinge freezer door wires. See Figure 10.

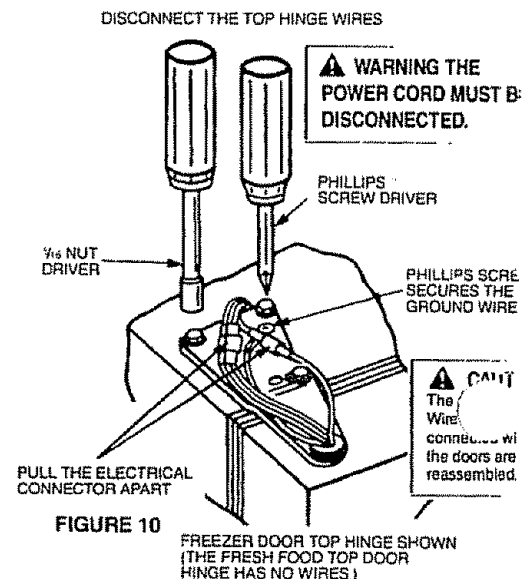
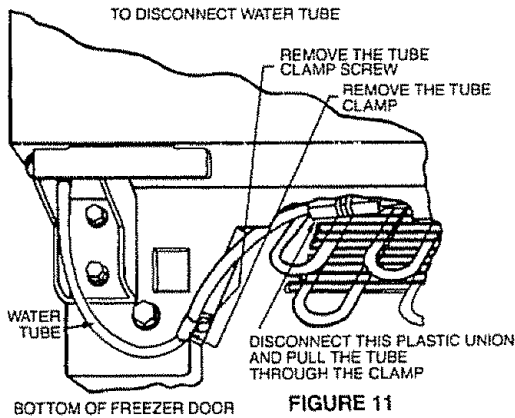


FIGURE 10

- Disconnect freezer door bottom hinge water line by disconnecting the 1/4" O.D. plastic tube union nut. Slide the compression nut off the water tube. See Figure 11.

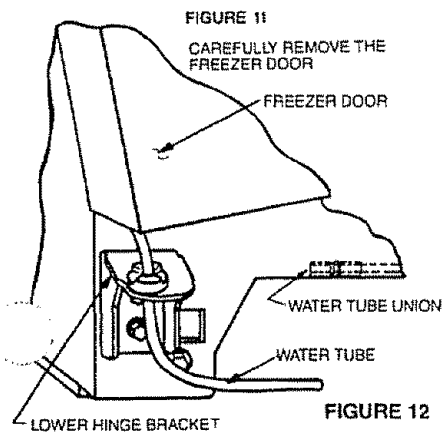


- Mark around the upper hinge brackets with a pencil to locate them for reassembly. Remove the upper door hinges, (3) three screws per upper hinge. See Figure 10.

CAUTION

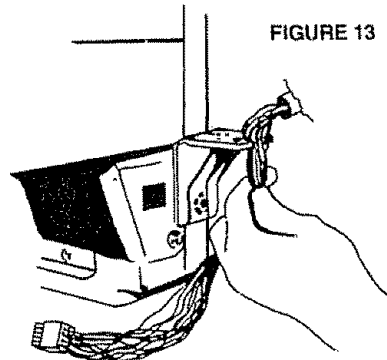
To Avoid The Risk Of Personal Injury Or Property Damage have two people remove the door. One to hold the door and one to remove the safety tape, and help with the tools.

- Remove tape from top of freezer.
- The freezer door water line will thread through the bottom hinge, lift the door off carefully. See Figure 12.



- Remove tape from top of refrigerator door.

- Lift refrigerator door up to pull pin up off the hinge.
- Thread wires through slot in door hinge. See Figure 13. Hinge pin and door closures stay attached to the door.



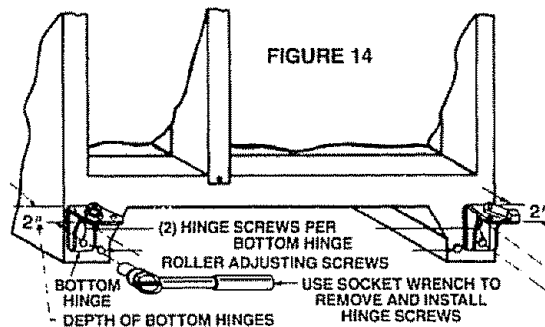
16.

CAUTION

To Avoid The Risk Of Property Damage set refrigerator door down carefully to avoid damaging electrical wires.

NOTE: At this point, the refrigerator may fit through the doorway. If not, proceed to steps 17 and 18.

- Mark around the lower hinge brackets with a pencil.
- Remove the lower hinge bracket screws. (2) screws per lower hinge. See Figure 14.



WARNING:

TO AVOID RISK OF ELECTRICAL SHOCK, PERSONAL INJURY OR DEATH, THE GROUND WIRES MUST BE CONNECTED WHEN THE DOORS ARE REASSEMBLED.

To install the door assemblies, assemble in reverse order.

Connecting the Ice and Water Dispens

Connect the Ice and Water System to Cold Water Supply.

Refer to the instructions on the back of the cabinet.

CAUTION:

To avoid cross threading and water leaks, you must start all the water tube fittings several turns by hand before tightening with wrenches. **DO NOT OVERTIGHTEN.** Also be sure to double check for water leaks after turning on the water pressure to the refrigerator.

Placement and Leveling

Placement

On some counter tops there is a 1" overhang. If this is the case, the front corners of the counter top must be trimmed off at a 45° angle for the refrigerator and freezer door clearance (see Figure 15). To build in your refrigerator a Perimeter Trim Kit is available at an additional cost.

A recessed electrical outlet installed on the back kitchen wall allows for a built-in installation of your refrigerator.

To build in your refrigerator with other options, such as wood or laminate consult with a local kitchen designer.

Units have front wheels that can be adjusted by turning a screw as shown in Figure 16.

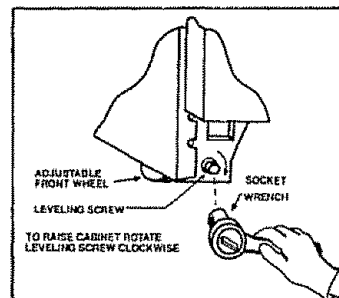


FIGURE 16

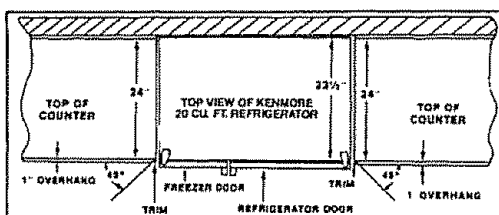


FIGURE 15

Leveling

Install the unit on a solid floor that is strong enough to support the combined weight of the unit, approximately 320 lbs.; and the food, maximum of 625 lbs with an approximate combined weight of 945 lbs.

The unit must be level to insure complete door closings and proper ice making. Improper leveling will cause water spills and uneven ice cube size.

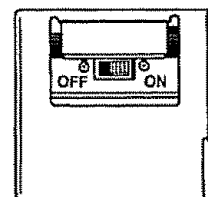
CAUTION

To Avoid Property Damage to soft vinyl flooring follow the floor product manufacturer's recommendations when installing or moving the refrigerator.

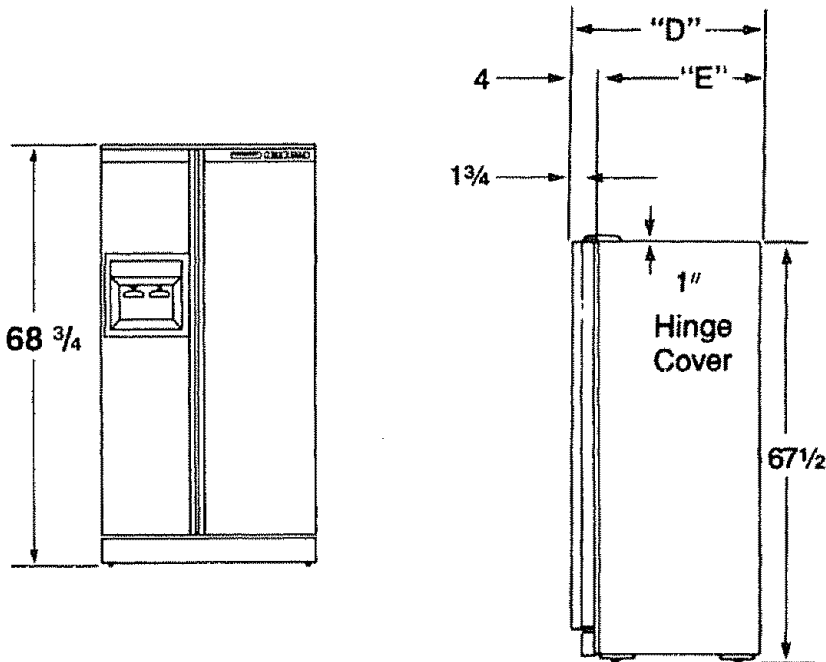
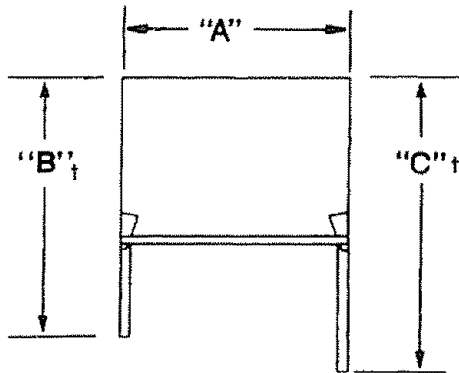
If the floor is uneven from side to side, place thin metal plates under one of the rear wheels.

POWER SWITCH

Located behind the toe grille in the center is a switch. This switch must be in the on position before you proceed any further.



DIMENSIONS



MODEL	"A" CABINET WIDTH	"B" FRZ DOOR OPEN 90°	"C" REF DOOR OPEN 90°	"D" OC* BACK TO HANDLE	"E" OC* BACK TO CAB FRONT
20	35 3/4	39 5/8	45 1/4	27 3/8	23 1/2

*Outer Case

† Must be installed 1 3/4" from side walls for 90° door opening.

Operating the Ice and Water Dispenser

CAUTION:

To Avoid the Possibility of Personal Injury, Never Attempt to Operate the Ice Dispenser with the Door Open.

Separate dispenser bars control the release of ice cubes and water. They are located in a recessed alcove for safety and convenience. The dispenser bars are sculptured to fit the contours of an ordinary drinking glass. Depress the appropriate dispenser bar to activate the dispensing mechanism.

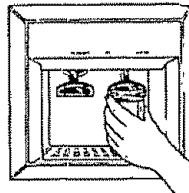
Small spills will be caught in the sump area below the dispenser. The sump cover grille is easily removed for cleaning.

NOTE: There is no drain in the sump so water should not purposely be poured into it.

Do not add ice to ice bin.

Do not try to speed ice dispensing by adding cubes of ice that you may have purchased or made in some other way. The unit has been "matched" to the automatic ice maker and will not operate properly with different shaped or sized cubes.

Water Dispenser



To operate, press glass against the water dispenser bar. Releasing pressure shuts the water off.

After the unit is connected to an active household cold water line, it is advisable to fill and throw out the first 10-14 glasses of water. This will cleanse the lines of impurities.

Water taste and odor.

There are many variables which can affect the taste and odor properties of the water that is being dispensed from your Ice and Water model such as:

1. Iron and other mineral deposits normally found in water.
2. Type of tubing (copper, galvanized, plastic, etc.) used in the household

water supply system as well as the type of tubing used to connect your unit to your household water supply.

3. Is the water "fresh" or has it been left standing unused in the storage reservoir and/or water supply line for any length of time?

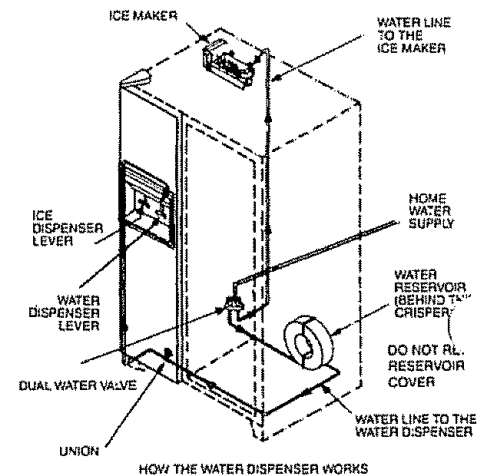
To minimize taste and odor problems, it is recommended that the following steps be taken:

1. Thoroughly rinse out the system after it has been connected to the household water supply. This can be accomplished by throwing away the first 10-14 eight-ounce glasses of water that are obtained from the unit.
2. If the water dispensing system is not used frequently, the entire water reservoir and system should be flushed. This will ensure a fresh supply of water at all times.

If the above suggestions do not entirely eliminate an undesirable taste or odor condition in your water, your problem is most likely a water problem. It is recommended that you contact your local water treatment company for its specialized kind of help in solving your problem.

How The Water Dispenser Works

The water reservoir is located in the refrigerator behind the crisper pan. The water line to the dispenser bar is routed in a special way to prevent freeze-ups. The water dispensing lever energizes the water line solenoid valve to add water to the water reservoir.

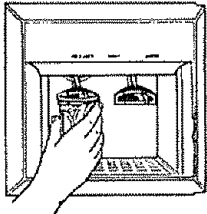


Operating the Ice and Water Dispenser

The water is forced by household water pressure through the tubing and out the water dispenser.

This water is cooled in the water reservoir. Some water remains in the water line to the dispenser, causing the first glass of water to be somewhat warmer than the following glasses.

Ice Dispenser



To operate, apply pressure against the dispenser bar with a glass or other container. This activates the ice auger and ice wheel which automatically delivers ice to the glass.

Release pressure on the dispenser bar before glass is full. Do not remove the glass until the last of the cubes fall.

Normal Operation. Allow 4 to 12 hours after installation for the first ice harvest. The time required will depend on the freezer temperature and the amount of food in the unit.

The ice storage bin takes about three or four days to fill, depending on how often you use it. At first, your family will be using it quite frequently.

To help meet this demand, you can speed ice production by turning the freezer control to a colder setting.

For best overall operation of the unit, be sure to return the freezer control to its previous position as soon as possible.

If you use very little ice over a period of a week or so — or if you use none at all for that period — the ice cubes may freeze into a solid mass and the unit will not dispense ice. You must then remove the ice bin (follow instructions on next page), thaw the ice and throw it away.

Overload. If you hold the dispenser bar in the ON position for approximately 4-5 minutes, the dispenser motor may trip out on overload. This could occur if you were trying to fill a large container with ice. The overload will reset automatically in approximately 3 minutes, after which ice can again be dispensed.

IMPORTANT! UNDER NO CIRCUMSTANCE SHOULD YOU USE AN ICE PICK OR SIMILAR SHARP INSTRUMENT TO BREAK THE ICE. To do this could cause damage to the ice bin and/or ice auger.

How the Ice Dispenser Works

Safety. All the ice making and dispensing mechanisms are enclosed within their own compartment for safety and for maximum storage space in the freezer section.

Whenever the freezer door is opened, the ice dispenser mechanism is interrupted. This prevents the dispensing of ice and also insures that you can service the ice bucket safely.

Water is automatically measured into the ice maker. When the water freezes, a sensor initiates the ejector blades that dump the cubes into the U-shaped harvester bin, where they are held in storage for delivery. When you push the Dispenser Bar, a large auger gently, but firmly, moves cubes from the bin. See Figure 17.

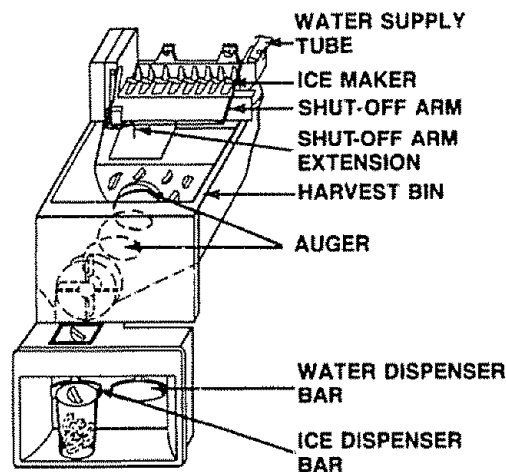


FIGURE 17

Operating the Ice and Water Dispense

Servicing The Ice Dispenser

Certain conditions will require you to service the ice maker and dispenser.

The unit has been designed so that you can do such servicing with a minimum of effort.

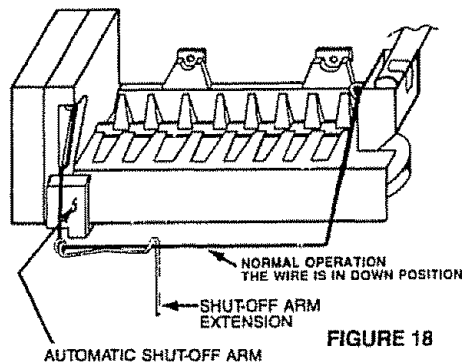
Cold dry air has to circulate in the freezer to maintain a safe freezing temperature. Thus, cubes stored in the bin will tend to evaporate and flow together if not used regularly.

You should remove the bin and empty the contents:

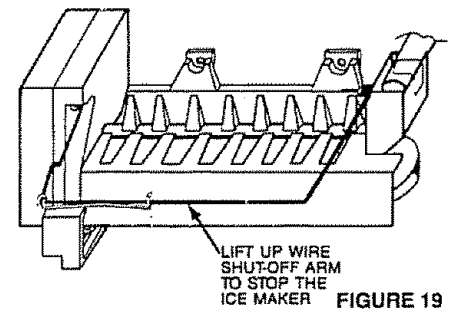
- After the first few harvests of ice have been made by a newly installed unit. This will allow any impurities in the line to be flushed out.
- If you are going to be gone for longer than a week. Raise the ice maker shut-off arm to stop ice production and prevent the cubes from freezing into a mass around the ice auger.
- If the ice cubes become frozen to each other and around the ice auger.
- If the ice cubes become frozen together on the back ledge of the ice bin. Periodic cleaning of the ice bin may alleviate this occurrence. Clean with warm water and dry before replacing bin. Do not use an ice pick to break apart ice.

Ice maker control arm. The wire control arm on the automatic ice maker has 2 functions:

1. **Normal Operation:** the wire arm is in the down position; ice will be made. See Fig. 18.

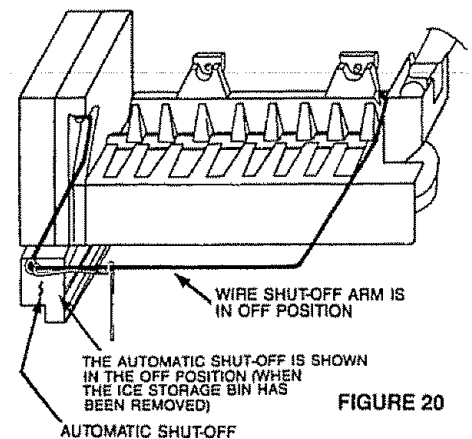


2. To stop ice production or to remove the ice bin: take hold of wire arm near black housing, and lift up. There will be an audible "click" when ice maker shuts off. The wire arm stays in the upper position. (See Fig. 19.) As long as the arm is in this position, ice will not be made. The unit will continue to dispense cubes from the ice bin until all have been used.

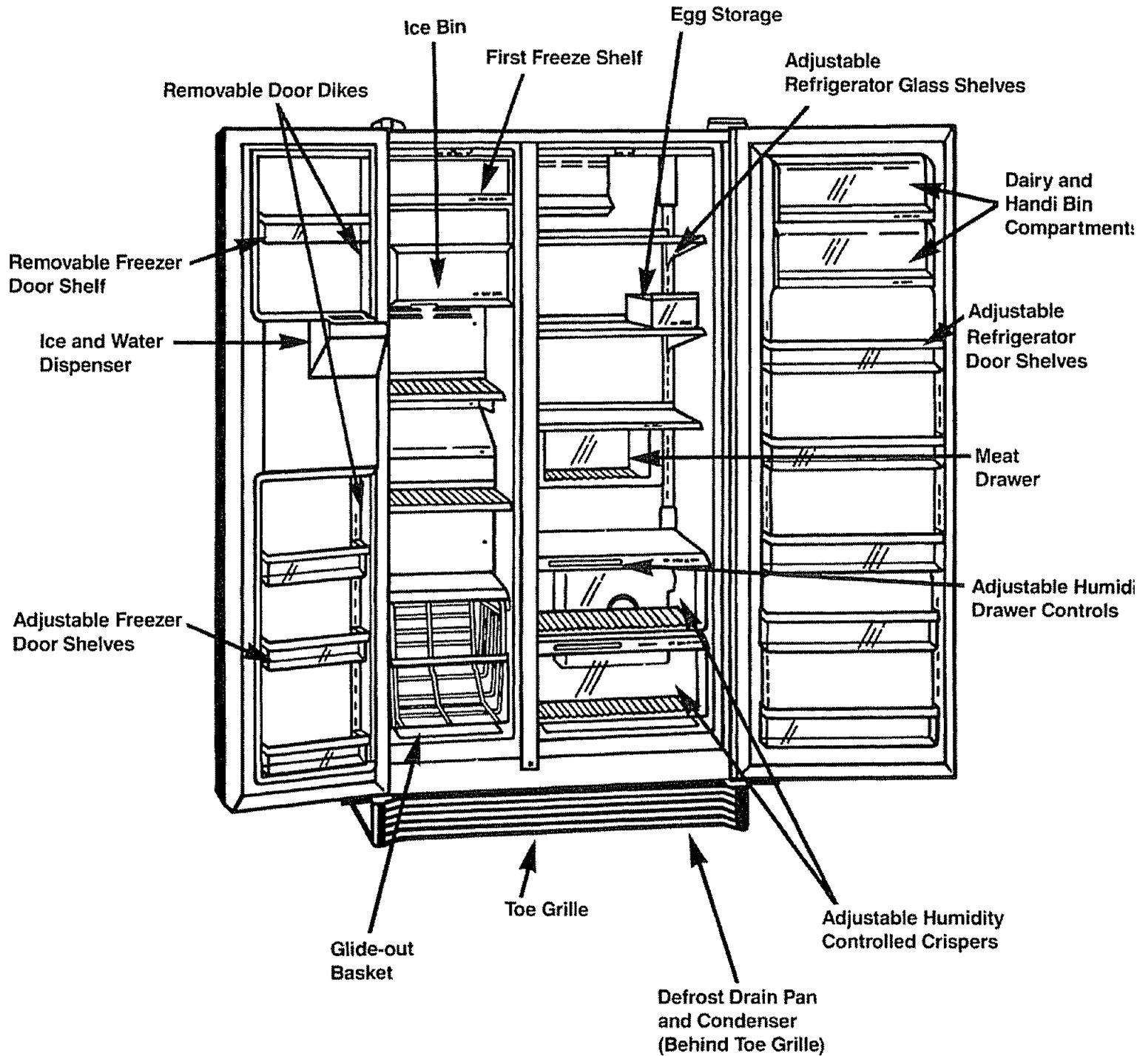


To remove ice bin assembly: Lift up the ice bin assembly $\frac{1}{4}$ ", then pull out.

The Automatic Shut-off stops ice making by raising the control arm when the ice bin is removed. (See Fig. 20.)

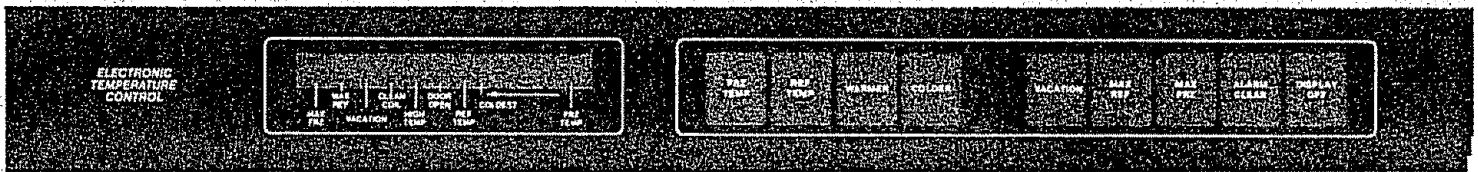


General Features



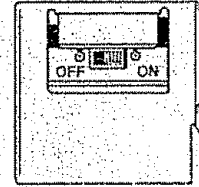
*Features may vary from model to model. Your refrigerator may not have all of the features shown.

Electronic Controls



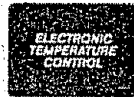
BEFORE YOU GET STARTED.....

When your refrigerator is first plugged in, the temperature indicator lights will blink. Press the **ELECTRONIC TEMPERATURE CONTROL** or **ALARM CLEAR** pad.



POWER SWITCH

Located behind the toe grille in the center is a switch. This switch must be in the on position before you proceed any further.



OR



NOTE: The alarm may go off in (2) two hours and the High Temp indicator light flash, if the refrigerator and freezer have not been cooled to the proper temperature. Deactivate alarm by pressing the **ALARM CLEAR** pad.

START pad

To activate the control panel first press **ELECTRONIC TEMPERATURE CONTROL**. This will be referred to as the **START** pad in the remaining sections.



Pressing this pad will:

- A. Turn the temperature indicator lights on.
- B. Allow you to use any of the other pads on the control panel. If you do not press the **START** pad, none of the pads will operate except the **ALARM CLEAR**.

NOTE: Once activated, the pads will remain programmable for at least 10 minutes.

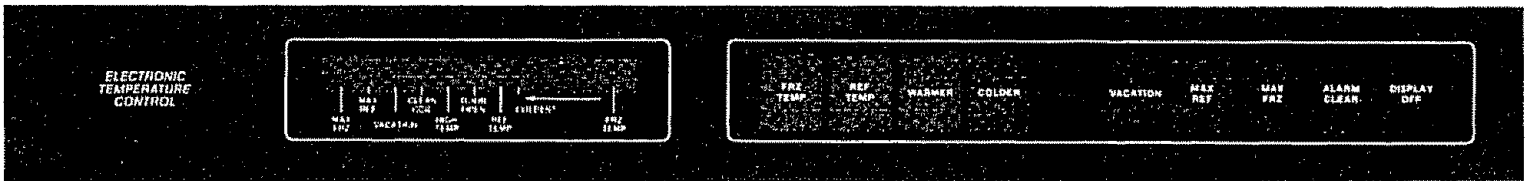
OPTIONAL ENTRY TONE

Your refrigerator is designed to give you the option of a 'beep' signal whenever a pad is pressed. This signal lets you know the control has 'read' and accepted your command. The entry signal has been pre-set on your control panel and will 'beep' when a pad is pushed. If you wish to cancel the 'beep' signal follow the directions below.

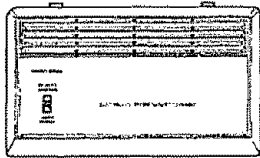
To Cancel The Optional Entry Tone:

1. Press and hold the **START** pad (**ELECTRONIC TEMPERATURE CONTROL**) approximately (3) three to (5) five seconds. Three (3) short beeps will sound indicating the instructions have been registered. To reactivate the entry signal, repeat the above process.

Electronic Controls



THERMOSTATIC REFRIGERATOR CONTROL



An electronic thermostatic sensor measures refrigerator air temperatures constantly and automatically lets in more cold air if temperatures rise as little as 1½°F from your setting

PROGRAMMING YOUR REFRIGERATOR

TEMPERATURE SETTINGS

With the Electronic Control, you can precisely control the temperature in the refrigerator and freezer sections without even opening the doors. The freezer temperature and the refrigerator temperature may be changed independent one another. The temperature of

each can be set at one of nine temperature levels. One (1) being the warmest and nine (9) the coldest. When changing the temperature, the temperature indicator lights will be on. The indicator lights will tell you whether the freezer or refrigerator temperature is being changed and what level the temperature is currently at.

To Set Or Change The Temperature In The Refrigerator

The Control has nine settings, from '1' (the warmest) to '9' (the coldest). The best food storage temperature is in the 38° to 40°F range. Start by programming your controls as follows:

1. Press the START pad (ELECTRONIC TEMPERATURE CONTROL).
2. Press the REF TEMP pad. This tells the control panel you want to set the temperature in the refrigerator.

3. The starting temperature setting in the refrigerator is level 5.
4. Press the WARMER pad or COLDER pad to raise or lower the temperature setting one level at a time. Continue to hold the WARMER pad or COLDER pad down to raise or lower the temperature more than one level at a time.

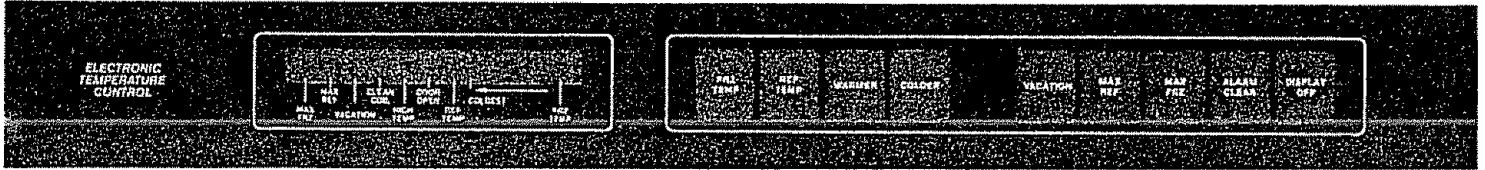
	+		+		OR		=	Raises Or Lowers Temperature Setting One Level At A Time
	+		+		OR		=	Lowens Temperature Setting More Than One Level At A Time
	+		+		OR		=	Raises Temperature Setting More Than One Level At A Time

.....
Continue to Press Down

Load food in the refrigerator. Place a thermometer in a glass of water in the middle of the refrigerator section, making sure that air can flow around it. (This will be used later to check food temperature.) After the unit is

installed, allow 24 hours for the refrigerator to cool. Check food temperature as instructed on page 18. Adjust the control as needed, one level at a time.

Electronic Controls

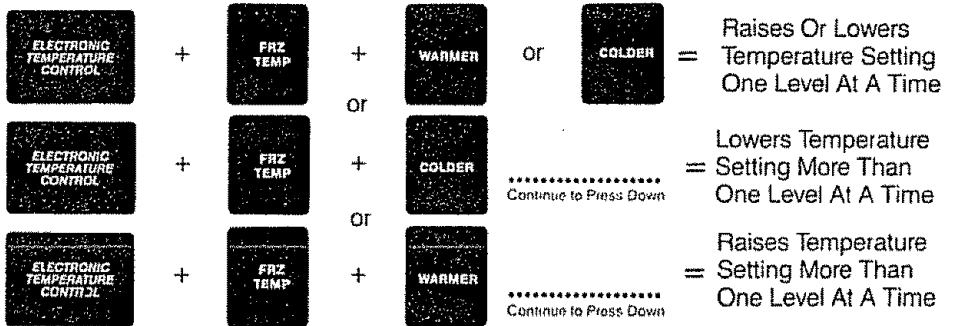


To Set Or Change The Temperature In The Freezer

The control has nine settings, from '1' (the warmest) to '9' (the coldest). The best food storage temperature is in the 0° to +2° F range. Start by programming your controls as follows:

- 1 Press the START pad (ELECTRONIC TEMPERATURE CONTROL).
- 2 Press the FRZ TEMP pad. This tells the control panel you want to set the temperature in the freezer.

- 3 The starting temperature setting in the freezer is level 5
- 4 Press the WARMER pad or COLDER pad to raise or lower the temperature setting one level at a time. Continue to hold the WARMER pad or COLDER pad down to raise or lower the temperature more than one level at a time



- 5 Load food in the freezer. Allow 24 hours for the freezer to cool after the unit is installed, before checking food temperatures. After the 24 hour

period check food temperature as instructed on page 18. Adjust the control as needed, one level at a time.

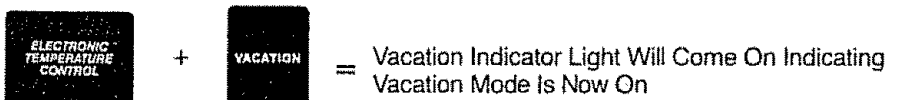
VACATION MODE

The Vacation Mode is ideal for when you will be away from your home for an extended amount of time, but still wish to preserve the food in your refrigerator.

During this mode the refrigerator will defrost less often, saving energy and money.

- ### To Start The VACATION Mode
- 1 Press the START pad (ELECTRONIC TEMPERATURE CONTROL)

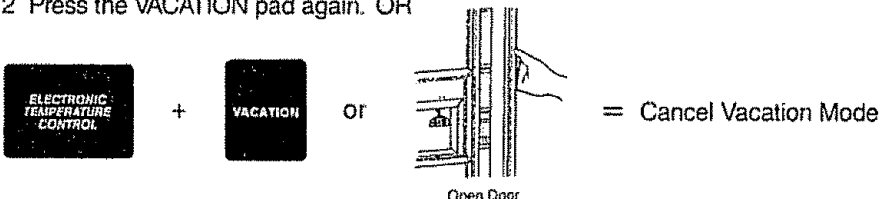
- 2 Press the VACATION pad. The vacation indicator light will come on acknowledging your command



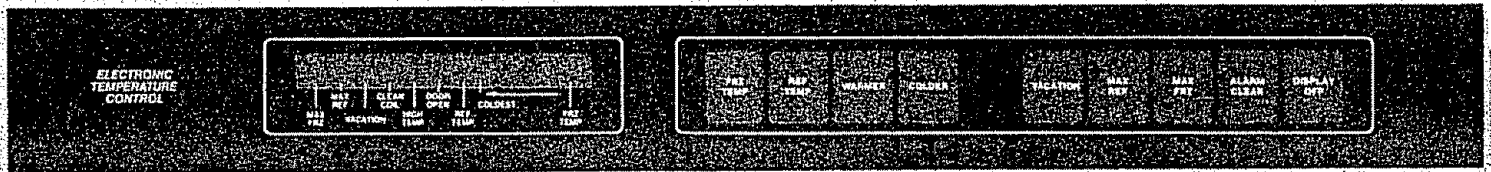
To Cancel The VACATION Mode

- 1 Press the START pad (ELECTRONIC TEMPERATURE CONTROL).
- 2 Press the VACATION pad again. OR

3. Open either the refrigerator or freezer door.



Electronic Controls



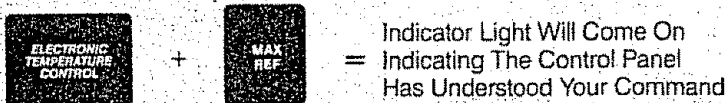
MAX REF MODE

During this mode, the refrigerator temperature is lowered to the coldest level for ten (10) hours. Ideal if you like colder chilled drinks or have added a lot of

warm food. After the ten (10) hour time period the refrigerator temperature will return to the previous temperature setting.

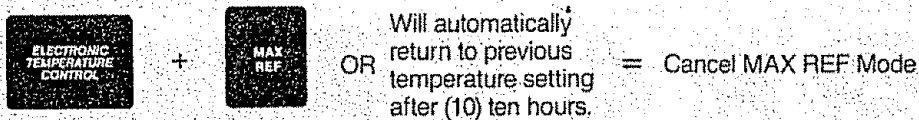
To Start The MAX REF Mode

1. Press the START pad (ELECTRONIC TEMPERATURE CONTROL).
2. Press the MAX REF pad. The MAX REF indicator light will come on, acknowledging your command.



To Cancel The MAX REF Mode

1. Press the START pad (ELECTRONIC TEMPERATURE CONTROL).
2. Press the MAX REF pad again.



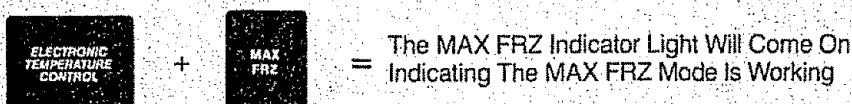
MAX FRZ MODE

This mode lowers the freezer temperature to the coldest level for 24 hours. Ideal for freezing large amounts of food

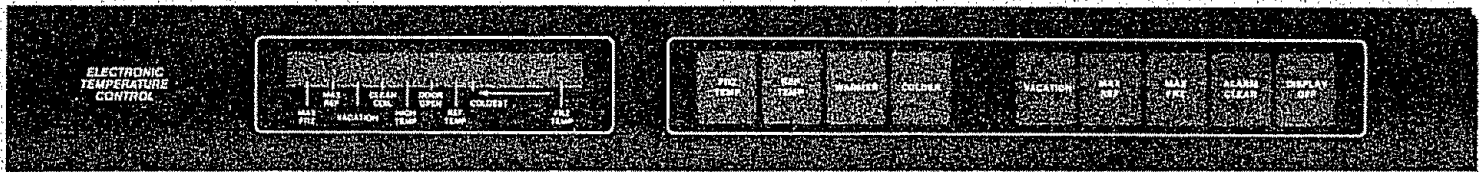
quickly. After the 24 hour period the freezer will automatically return to the previous temperature setting.

To Start The MAX FRZ Mode

1. Press the START pad (ELECTRONIC TEMPERATURE CONTROL).
2. Press the MAX FRZ pad. The MAX FRZ indicator light will come on, acknowledging your command.



Electronic Controls



To Cancel The MAX FRZ Mode

1. Press the START pad (ELECTRONIC TEMPERATURE CONTROL).
2. Press the MAX FRZ pad again.



+



Will Automatically return to previous temperature setting after (24) twenty-four hours = Cancels The MAX FRZ Mode

To Cancel The Temperature Display Lights

1. Press the START pad (ELECTRONIC TEMPERATURE CONTROL).
2. Press the DISPLAY OFF pad.



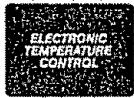
+



= Temperature Display Lights Will Turn Off

To Reactivate The Temperature Display Lights

1. Press any of the (4) four pads left of the VACATION pad or the START PAD.



OR



OR



OR



OR



= Will Activate The Temperature Display Lights

SIGNALS TO ALERT YOU

DOOR OPEN ALARM

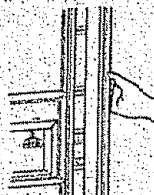
The indicator light will come on whenever either door is open. If either door is open continuously for three (3) minutes, the indicator light will blink and an alarm will sound.

To Discontinue The Door Open Alarm

1. Press ALARM CLEAR or close the door(s).



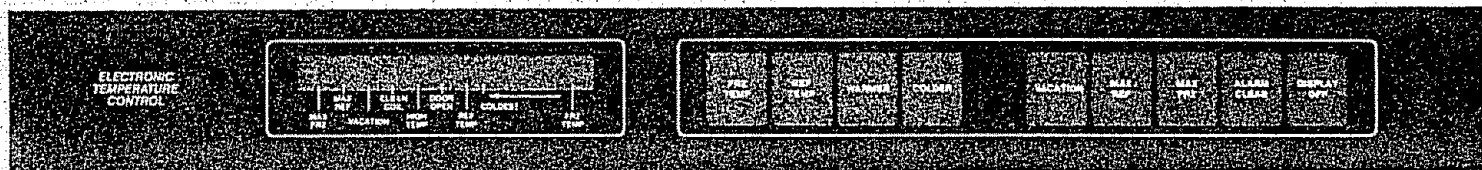
OR



Close Door

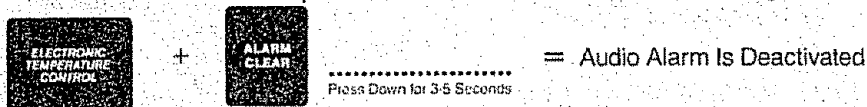
= Discontinue The Door Open Alarm

Electronic Controls



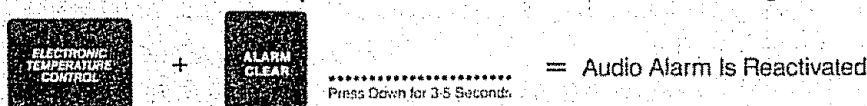
To Cancel The Door Open Audio Alarm PERMANENTLY

1. Press the START pad (ELECTRONIC TEMPERATURE CONTROL).
2. Hold the ALARM CLEAR pad for three (3) to five (5) seconds. Three (3) short beeps will sound indicating the instructions have been registered.



To Reactivate The Door Open Audio Alarm

1. Press the START pad (ELECTRONIC TEMPERATURE CONTROL).
2. Hold the ALARM CLEAR pad for three (3) to five (5) seconds. Three (3) short beeps will sound indicating the instructions have been registered.



HIGH TEMPERATURE ALARM

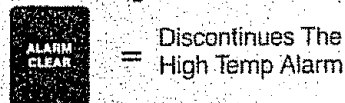
The indicator light will come on if the freezer and/or refrigerator temperature gets excessively warm for an extended period of time. The FRZ TEMP and/or

the REF TEMP indicator light will blink to indicate which section is too warm. An alarm will also sound. Check for possible food spoilage.

To Discontinue The High Temperature Alarm

1. Press the ALARM CLEAR pad. The audio alarm will also discontinue if the proper temperature is regained in the refrigerator and/or freezer sec-

tions. Check for possible food spoilage.
NOTE: You must press ALARM CLEAR to clear the high temperature indicator light.



CLEAN CONDENSER COIL INDICATOR

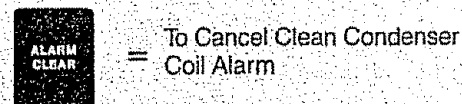
The CLEAN COIL indicator light alarm will come on, without an audio alarm, every three (3) months to remind you to clean the condenser coil. The refrigera-

tor will run more efficiently when the coil is clean. For information on how to clean your condenser coil, refer to page 23.

To Discontinue The Clean Coil Alarm

The light will automatically cancel in 72 hours or you can turn it off prior to that

as follows:
 1. Press The ALARM CLEAR pad



Checking Food Temperature

Twenty-four hours after the unit is installed, check the food temperature in the refrigerator and freezer sections. Use a quality thermometer that can register below zero temperatures.

FREEZER: Place the thermometer in the center of the freezer, surrounded by frozen packages. Wait 5 to 8 hours, then check the reading. If temperature is not within 0° to +2° F, adjust control as needed, one position at a time and check temperature again after 4 to 6 hours. See Figure 21.

REFRIGERATOR: Place the thermometer in a glass of water and place the glass in the middle of the refrigerator section. Be sure air can flow around it. Wait 3 to 4 hours, check the temperature and adjust the control as needed

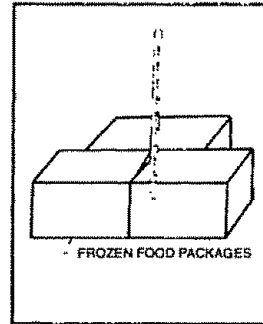


FIGURE 21

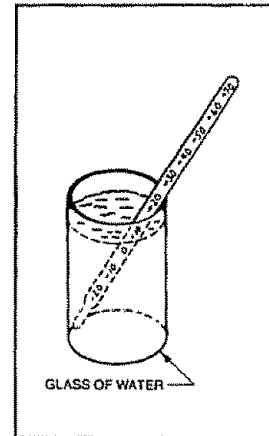


FIGURE 22

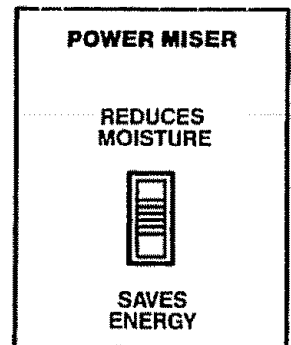
one position at a time to achieve the 38° to 40° F range. Wait 3 to 4 hours and check the temperature again. See Figure 22.

Power Miser Control

The 2-Position Power Miser Control lets you save energy by adjusting refrigerator operation to humidity level in your house. During hot, humid weather, any refrigerator/freezer will form moisture around the doors, similar to the way condensate forms on a glass of ice water. The cabinet has special heaters to minimize this condensation. The Power Miser Control lets you turn these heaters higher or lower.

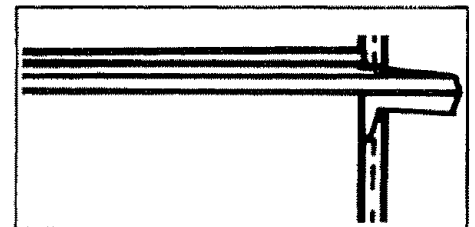
The upper position is for periods of high humidity.

The lower position is for maximum energy savings. Use for periods of low humidity. A minimum amount of condensation is normal. During extreme high humidity, condensate may also form on the cabinet sides and doors. This is normal and will disappear when climatic conditions return to normal.



Refrigerator Features

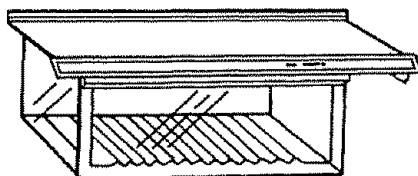
Adjustable Cantilever Glass Shelves. These shelves attach to metal tracks in the back of the interior. To remove, tap upwards at rear of shelf hooks. Lift shelf and pull out. To install, tilt shelf and engage upper hooks in desired track slots. Lower shelf front and tap downwards near the tracks until shelf hooks are securely seated and shelf is level.



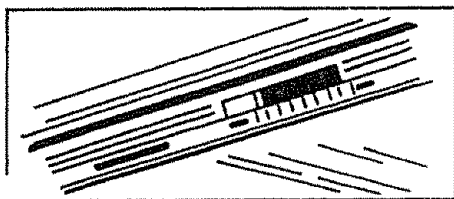
CAUTION:
To Avoid Personal Injury Or Property Damage test for proper installation by exerting some pressure downward on the front edge. Shelf should not move.

Refrigerator Features

The Meat Storage Drawer — and shelf to which it attaches — can be relocated within the Fresh Food compartment. The sealed drawer retains high humidity for convenient storage of unwrapped meats, cheese, bacon, hors d'oeuvres, spreads and snacks



Nice 'N Fresh Drawers have a control to regulate humidity inside. Set high humidity for leafy vegetables such as cabbage and lettuce, and set low humidity for produce with skins such as apples and tomatoes.



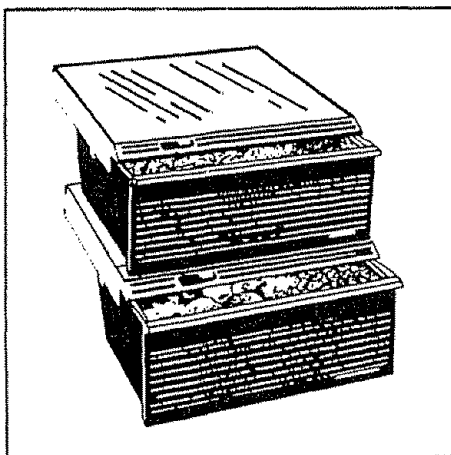
Slide to the left for high humidity and to the right for low humidity.

Drawer Removal

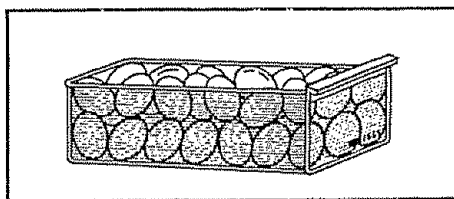
Drawers stop before coming all the way out, to help prevent contents from spilling onto the floor. Drawers can be removed easily by tilting up slightly and pulling past "stop" location.

To remove the crisper drawers when the fresh food compartment door cannot be opened fully, first, remove food and the lower door shelves. Empty the drawers and remove them. Then lift the drawer cover up and out.

Crisper Drawers can be pulled out fully, even when door is opened at minimum of 90° angle.



Refrigerator Door

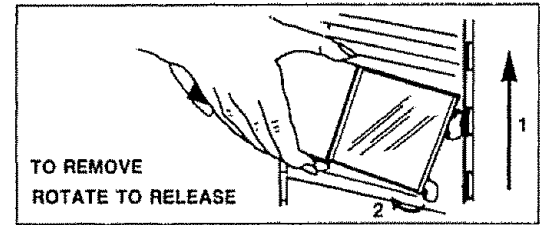


Egg Storage. A removable take-to-counter egg bucket. To clean wash in soapy water. Store the egg bucket in either the door or on the shelf.

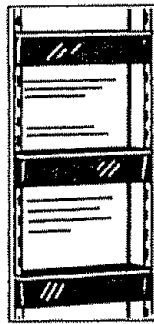
Butter storage. Foods stored in the door include butter in the dairy compartment. For your convenience, there is a sturdy butter dish that can be taken to the table. It is dishwasher safe. (Recommended placement: top rack of dishwasher.)

Refrigerator Features (cont.)

Door Shelves. Door shelves can be moved up or down to fit storage needs. To remove, loosen shelf by tapping upwards gently underneath both ends. Lift shelf slightly, then rotate bottom out and up to release mounting hooks from door slots. To install, tilt shelf and insert upper hooks into any two door slots as shown. Rotate shelf bottom towards door and insert bottom hooks into door slots. Hold shelf against door and tap down gently on both ends until shelf is seated securely.

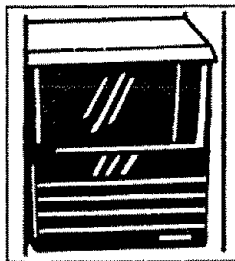


Freezer Features



Freezer Door Shelves

The freezer door has three adjustable shelves (some models). To remove, gently tap both ends up, then pull out.

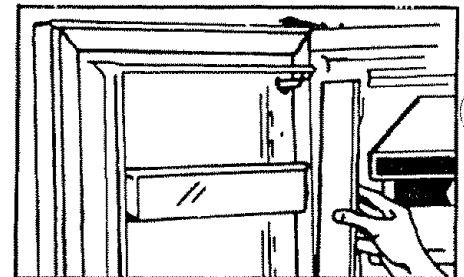


Large Glide-out Freezer Basket

Stores odd-shaped, bulky food items.

Automatic Ice and Water Dispenser

See instructions beginning on page 7.



Removable Door Dike

Designed for kitchens when space limitations restrict opening of door to 90°. The removable door dike (closest to hinge) will snap out to allow removal of freezer basket and ice bucket. Simply grasp door dike with both hands and firmly snap door dike out. To replace door dike, align the four push clips to the holes on the freezer door. Snap in until the door dike is locked into place.



Freezer Shelves

1. To remove, tap shelf gently upward on the right side and slide out.
2. Reverse procedure to install.

Other Features

Automatic Frost Free Operation

The freezer and refrigerator sections are completely frost-free. The evaporator coil in the back wall of the freezer section collects the frost. Under normal operating conditions, you'll never have to defrost the unit, because it's automatic.

Air Circulation

Air to cool the condenser is drawn in the grille, at the bottom front, passes over the condenser, and is then exhausted through the same grille. Therefore, the unit is designed to be enclosed completely at the top, back and sides for the total built-in look. Do not block airflow through the toe grille at bottom front of unit.

Sounds

Your new unit may be replacing a smaller refrigerator of different design and/or a product which operated less efficiently. We have taken steps in product design and operation which will continue to provide our customers the highest quality product, one which is energy efficient and operates as economically as possible. With this new design, you may hear sounds which are unfamiliar to you, yet quite normal.

Polyurethane foam insulation, while a much better insulator, does not have the sound-absorbing characteristic of fiberglass insulation. Sounds may be amplified further by the wall and/or floor acting as a sounding board.

Because your product is designed to provide greater efficiency, the compressor operates at a much higher speed than previously. This results in a high speed hum which will be more noticeable than the sound produced by a slower speed compressor. In addition, the compressor's increased torque may cause some vibration during start up or shut down of the unit.

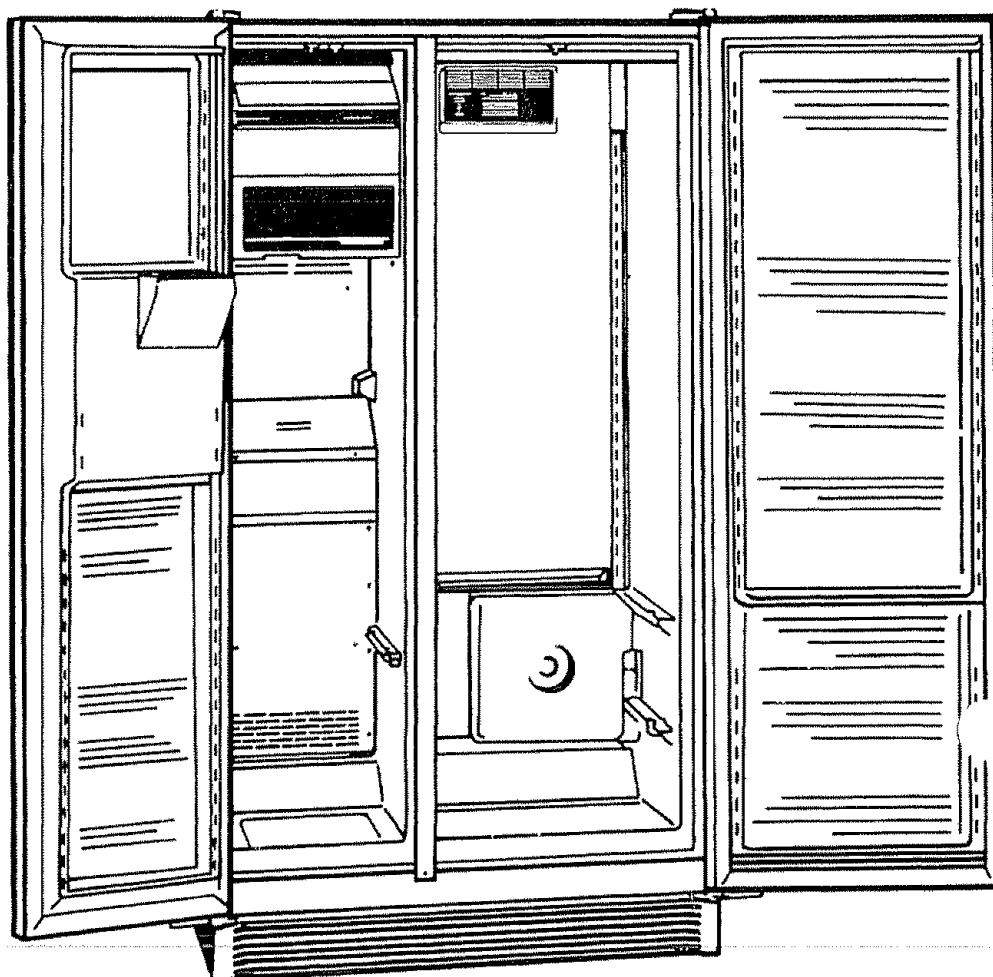
The refrigerant flowing through the refrigeration tubing may create "water running" or "gurgling" sounds during operation and shortly after shut down. You may also hear the ice falling out of the automatic Ice Maker or the activa-

tion of the water solenoid valve during an ice making cycle.

Periodically, your refrigerator will automatically defrost. When this happens, you may hear "dripping water" and "sizzling" sounds.

None of these sounds are unusual, and will soon become familiar. They indicate the unit is operating and performing as designed.

Care & Cleaning



CAUTION

To Avoid The Risk Of Personal Injury, Use Caution In Unpacking, Handling, Removing, Installing and Cleaning All Parts Of Product Which May Have Sharp Edges.

WARNING:

TO AVOID THE RISK OF ELECTRICAL SHOCK OR DEATH: UNPLUG THE POWER CORD BEFORE REPLACING A BURNED OUT LIGHT BULB OR BEFORE CLEANING.

CAUTION

To Avoid The Risk Of Personal Injury, Wear Protective Hand Covering.

Remove all food and special compartments from the freezer and refrigerator sections.

Exterior. Wash with warm, soapy water, rinse and dry. Use appliance polish or wax periodically to keep the exterior looking like new.

Door Gaskets. Clean at least twice a year with mild soap and water. Rinse and dry. Apply a light film of petroleum jelly to the gaskets on the hinge side to keep them soft and pliable.

Interior. Wash the liner with warm, soapy water. Rinse and dry. Interior

components such as shelves and drawers may be washed with 4 table-spoons baking soda dissolved in 1 quart of warm water to "sweeten" these parts. Rinse and dry thoroughly.

Interior and Exterior. DO NOT USE abrasive, heavy-duty powders such as AJAX cleanser, COMET cleanser, etc. when cleaning the interior or exterior of the refrigerator. These can scratch and dull the surface, depending on their abrasiveness and the cleaning pressure applied. Avoid metal pads and abrasive impregnated plastic, nylon and cloth pads such as CHORE-BOY® and

KURLY KATE® pot cleaners, BRILLO® metal cleaning pads, SCOTCH-BRITE® and PADDY® soap pads, etc. These can scratch the baked enamel exterior and interior surfaces.

Do not use concentrated liquid dish-washing detergent (dissolve in warm water before using), abrasive cleaners, solvents or polishing agents on plastic parts. These cleansers may cause cracking or discoloration.

Do not wash plastic parts in an automatic dishwasher. They may warp. (The butter dish can be washed in a dishwasher, if placed on top rack.)

are and Cleaning (cont.)

Ice Maker. If your water has a high mineral content, the ice maker may require periodic cleaning. Contact your local water treatment dealer for cleaning instructions. An in-line water filter may also be necessary.

Clean Defrost Drain Pan. The pan is located underneath the unit behind the toe grille. Pull the toe grille forward to remove. Every three months, remove the drain pan, wash it with warm soapy water, rinse and dry. When replacing the pan, make sure it is directly underneath the defrost water tube that extends from the back of the unit.

Clean Condenser Coil. The condenser coil is located behind the toe grille. Use a long-handled bottle brush and a vacuum cleaner to remove dust and lint from the coil. Dust and lint act as an insulator and prevent the coil from expelling heat taken from inside the unit. Failure to keep the coil clean will reduce cooling performance and efficiency.

Reconnect Power Cord. After cleaning, reconnect the power cord.

Odors. If an offensive odor appears to be lingering in the refrigerator or freezer, the following procedures may eliminate the problem. Always begin with Method I. Use Method II only if the odor persists.

Method I

1. Unplug the unit.
2. Remove all food.
3. Thoroughly wash the inside of the unit, including all shelves, drawers, accessories and gaskets with a mixture of 4 tablespoons of baking soda dissolved in 1 quart of warm water. Pay special attention to any corners, crevices or grooves into which odor-causing liquid may have seeped. Dry thoroughly.
4. Return food to unit washing off all bottles, jars and containers before placing them into the refrigerator and freezer.
Plug in the unit. Wait 24 hours before checking to see if the odor has been eliminated. If the odor is still present, proceed with Method II.

Method II

1. Unplug the unit.
2. Remove all food, making arrangements for food storage. (The inside of the unit should already have been washed as instructed in Method I.)
3. Place crisper drawers on the top shelf of the refrigerator section.
4. Lightly crumple single sheets of newspaper. Loosely pack and fill entire refrigerator and freezer interior with newspapers, including door shelves, drawers and compartments.
5. Randomly place charcoal briquettes throughout both compartments on the crumpled newspaper.
6. Close the doors and let stand for 24 to 48 hours.
7. Remove the charcoal briquettes and newspapers. Wash and dry the inside of the unit as described in Method I.
8. Plug in the unit. Wait for 24 hours before checking to see if the odor has been eliminated, then replace the food.

Non-Use Periods

Vacation Time. If you will be away for vacation, remove perishable foods from the unit. Shut off the ice maker by turning off the water supply to the refrigerator and moving the icemaker wire arm to its uppermost position.

Extended periods of non-use. If you are going to be away for longer periods, empty and unplug the unit. This will reduce needless operation and assure that food will not be spoiled if electrical service is interrupted. Just clean the unit as instructed in this manual and prop open the doors so air can circulate inside. Leave the unit unplugged. Turn off the water supply to the refrigerator.

When You Move. Unplug the unit and clean it. Use strapping tape or masking tape to secure all trays, shelves and other parts to prevent damage during shipment. Do not leave the unit closed for an extended period of time.

CAUTION

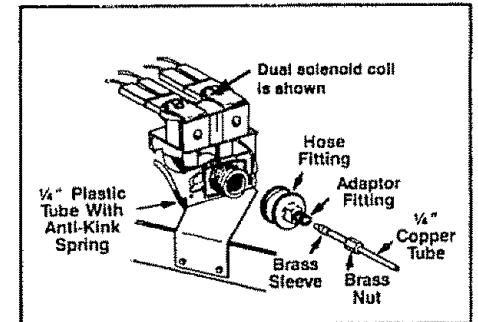
To Avoid Property Damage do NOT use tape that has "permanent" type adhesive.

If the Refrigerator Will Be Stored.

If the refrigerator will be stored or remain unused in a sub-freezing environment, remove the water and protect the water valve from damage as follows:

1. Disconnect the refrigerator from the electrical power source.
2. Shut off the refrigerator water supply. This can be done at the saddle valve where the $\frac{1}{4}$ " copper supply tubing joins the household water line. Refer to illustration on back of cabinet.
3. Remove the compressor compartment cover from the bottom rear of the refrigerator to reveal the water valve coupling. Place a small container under the valve to catch water spills. Remove the brass hose fitting from the valve. Label the two plastic tubes attached to the valve. Unscrew the compression nuts from the tubes and push the ends of the tubes away from their valve fittings.
4. Blow the water out of the water dispenser plastic tubing with compressed air.

TYPICAL WATER VALVE COUPLING



CAUTION

To guard against possible water damage. If the refrigerator will be unattended, raise the ice maker wire shut off arm and close the water shut off valve for the refrigerator.

You Can Help Save Energy!

Your New Refrigerator/Freezer is designed to operate efficiently. You can help reduce energy consumption by following these suggestions:

Power Miser Control. This control regulates special heaters that help reduce condensation during periods of high humidity. Reduce energy consumption by setting the control according to current climatic conditions.

Controls. Set the freezer and refrigerator controls so the compartments are not colder than recommended. See page 13 and 14 for details

Doors. Make sure the door gaskets do not become blocked, dirty or worn. Air leaks will cause the unit to operate more often.

Location. Install the unit away from heating equipment or direct sunlight.

Keep the Condenser Coil Clean. A dirty condenser coil will cause the unit to operate more than necessary. See Care and Cleaning section.

Before Calling For Service

Unnecessary service calls may be avoided by checking for the following common sources of difficulty. The following items are considered customer replaceable: defrost drain pan, door and cabinet shelves and drawers, butter dish, light bulbs, egg bucket, and accessories.

If product does not appear to be operating:

- Does the light work? A dim light indicates low voltage or a weak bulb.
- Is cord plugged in?
- Is a fuse or circuit breaker open? Check by plugging in another appliance or lamp at the same wall outlet.
- Has either of the doors been left open? Make certain food items stored within the refrigerator are not obstructing proper door closure. Check leveling of unit. (See page 6.)
- If the lights work, but the fan and compressor are not operating, check to see if the power switch is on. (See page 6 or 12.)
- If the power switch is on, then the unit is likely in the defrost cycle. Wait 30 minutes to see if the unit will restart.

If the unit still won't operate:

- Be sure you have completed the steps listed above.
- Unplug the unit and take the steps necessary to preserve the food stored in the unit. Dry ice may be placed in the freezer section of the unit to preserve food until the unit can be serviced. Doors should be left closed until the unit has been repaired. Your product warranty does not cover food loss.
- Call your nearest Sears service center.

If food temperature appears to be warm in the freezer section:

- See prior sections.
- Have you recently added a large load of food? Allow adequate time for the food to reach freezing temperature.
- Are any shelves covered with foil or plastic, preventing proper air flow?
- Is the condenser area clean? (See page 23.)
- Adjust freezer control. (See page 14.)

If refrigerator section is too warm:

- See prior sections.
- Adjust refrigerator control. (See page 13.)
- Adjust freezer control to a colder setting. (See page 14.)

Before Calling For Service

If refrigerator food temperature is too cold:

- Adjust refrigerator control. See page 13.
- Check to see the air deflector is in place on the left side wall of the fresh food compartment.
- Is condenser area clean? (See page 23.)
- Are any shelves covered with foil or plastic, preventing proper air flow?
- Adjust freezer control to warmer setting. Allow several hours for temperature to change.

If the unit runs too much or too frequently:

- It may be normal to maintain an even temperature.
- Is condenser area clean? (See page 23.)
- Have doors been opened frequently or for an extended period of time?
- Is freezer running too cold? Adjust freezer control. (See page 14.)
- Check door alignment and gasket seal for proper closure.

If the unit makes unfamiliar sounds such as popping or cracking; tapping, gurgling, boiling or bubbling; rumbling or rattling on shutdown:

- These may be normal operating sounds. Refer to page 21 for information on sounds the unit may make.

If you hear running water in the unit:

- This is normal when the icemaker fills.
- This is normal when the unit defrosts and water enters the condensate pan.

If you hear periodic buzzing:

- This is normal in cabinets with an automatic icemaker. The water valve will buzz when energized to refill the icemaker.

If condensate forms on the inside of the unit:

- This is normal during periods of high humidity.

If condensate forms on the outside of the unit:

- Is Power Miser Control on highest setting? This will help reduce condensate.
- Check door alignment and gasket seal for proper closure.

If Crisper or Meat Keeper drawers do not close freely:

- Check for package obstructing proper closure.
- Check to confirm drawer is in proper position in assembly.
- Apply thin layer of petroleum jelly to slide channel track.

If there is an odor in the unit or ice cubes:

- Clean product. (See pages 22-23.)
- Cover all foods tightly.
- Use freezer containers or freezer wrap.

If ice forms in the inlet tube to the ice maker:

- Indicates sediment in solenoid valve which has not allowed the valve to close. An in-line water filter should be added. If problem persists the solenoid valve will need to be cleaned or changed.

If light bulb needs replacing.

- Unplug unit from wall outlet to avoid electrical shock. A pair of gloves should be worn as a precaution against broken glass.

SEARS

FULL THREE - YEAR WARRANTY ON REFRIGERATOR

For three years from the date of purchase, when this refrigerator is operated and maintained according to instructions attached to or furnished with the product, Sears will repair this refrigerator, free of charge, if defective in material or workmanship.

FULL FIVE - YEAR WARRANTY ON SEALED REFRIGERATION SYSTEM

For five years from the date of purchase, when this refrigerator is operated and maintained according to instructions attached to or furnished with the product, Sears will repair the sealed system (consisting of refrigerant, connecting tubing and compressor motor), free of charge, if defective in material or workmanship.

The above warranty coverage applies only to refrigerators which are used for storage of food for private household purposes.

WARRANTY SERVICE IS AVAILABLE BY SIMPLY CONTACTING THE NEAREST SEARS SERVICE CENTER/DEPARTMENT THROUGHOUT THE UNITED STATES.

This warranty applies only while this product is in use in the United States.

This warranty gives you specific legal rights, and you may also have other rights which vary from state to state.

SEARS, ROEBUCK AND CO., D/731 CR-W, Sears Tower, Chicago, IL 60684

PART NO: **10062603**

DESG: **OWNERS MANUAL(KENMORE**

LOC: **910-006-007**

10062603
Printed in U.S.A

Free Manuals Download Website

<http://myh66.com>

<http://usermanuals.us>

<http://www.somanuals.com>

<http://www.4manuals.cc>

<http://www.manual-lib.com>

<http://www.404manual.com>

<http://www.luxmanual.com>

<http://aubethermostatmanual.com>

Golf course search by state

<http://golfingnear.com>

Email search by domain

<http://emailbydomain.com>

Auto manuals search

<http://auto.somanuals.com>

TV manuals search

<http://tv.somanuals.com>