

OWNER'S MANUAL

SEARS
CRAFTSMAN®

**4.0 RESERVE POWER
SOLID STATE IGNITION
REAR BAGGER
LAWN MOWER
22" POWER-PROPELLED**



**MODEL NO.
917.372301**

THIS MOWER COMPLIES WITH CPSC REGULATIONS EFFECTIVE JUNE 30, 1982. TO START THE ENGINE IT IS NECESSARY TO DEPRESS THE CONTROL BAR WHEN STANDING BEHIND THE MOWER, BEFORE PULLING ON THE STARTER ROPE. FOR FURTHER STARTING DETAILS SEE PAGE 9 OF THIS MANUAL.

II SEARS, ROEBUCK AND CO., CHICAGO, IL 60684 U.S.A.

Part No. 86301 Rev. 0 6/17/85

CRAFTSMAN quality LAWN CARE equipment

TWO YEAR LIMITED WARRANTY ON CRAFTSMAN POWER MOWER

For two years from the date of purchase, when this Craftsman power mower is maintained, lubricated and tuned-up according to the instructions in the owner's manual, Sears will repair, free of charge, any defect in material and workmanship.

If this Craftsman power mower is used for commercial or rental purposes, this warranty applies for only 90 days from the date of purchase.

This warranty does not cover:

- Expendable items which become worn during normal use, such as rotary mower blades, blade adapters, belts, air cleaners and spark plugs.
- Repairs necessary because of operator abuse or negligence, including bent crank-shafts and the failure to maintain the equipment according to the instructions contained in the owner's manual.

WARRANTY SERVICE IS AVAILABLE BY RETURNING THE CRAFTSMAN POWER MOWER TO THE NEAREST SERVICE CENTER/DEPARTMENT IN THE UNITED STATES.

This warranty gives you specific legal rights, and you may also have other rights which vary from state to state.

SEARS, ROEBUCK and CO. Department 698/731A Sears Tower, Chicago, Ill. 60684.

MAINTENANCE AGREEMENT

A SEARS MAINTENANCE AGREEMENT IS AVAILABLE ON THIS PRODUCT. CONTACT YOUR NEAREST SEARS STORE FOR DETAILS.

CUSTOMER RESPONSIBILITIES

Read and observe the rules for safe use. Always use care when using your lawn mower. Keep away from moving parts.

DO NOT work on your lawn mower with engine running. Always keep your lawn mower clean. Follow a regular schedule in maintaining, caring for and using your lawn mower. A well cared for mower will run and last longer.

Follow the instructions under "Maintenance" and "Storage" sections of this Owner's Manual.

Blade, blade flange, air cleaner/air filter, spark plug are expendable parts which are your responsibility.

TABLE OF CONTENTS

WARRANTY.....	2
KNOW YOUR CRAFTSMAN MOWER.....	3
RULES FOR SAFE USE.....	4
HELP YOUR LAWN MOWER LAST LONGER.....	5
HOW TO SET-UP YOUR MOWER.....	6
BEFORE STARTING ENGINE.....	8
HOW TO USE YOUR MOWER.....	9
MAINTENANCE.....	11
STORAGE.....	15
REPAIR PARTS.....	17
ENGINE REPAIR PARTS.....	24
TROUBLE SHOOTING.....	27

KNOW YOUR CRAFTSMAN® MOWER

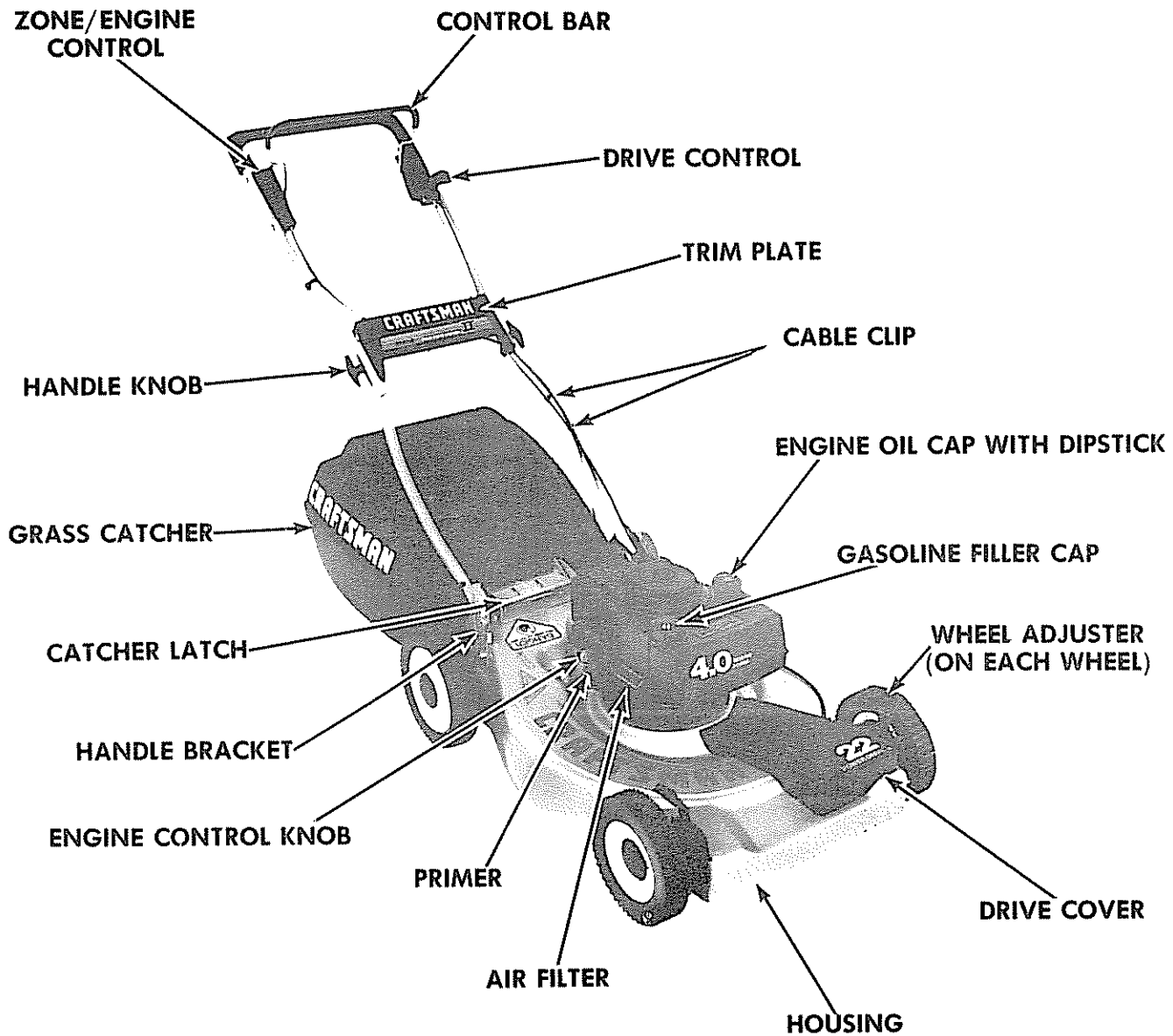


FIG. 1

MEETS CPSC BLADE SAFETY REQUIREMENTS

SPECIFICATIONS	TOOLS REQUIRED
<p>Oil: Use SAE 10W30 motor oil. SAE 30 motor oil can also be used.</p> <p>Gasoline: Use unleaded automotive gasoline. Regular automotive gasoline can also be used. DO NOT use premium gasoline, or gasoline containing alcohol.</p>	<p>FOR CATCHER ASSEMBLY 3/8 and 7/16" wrench or adjustable wrench. Medium flat blade screwdriver.</p> <p>FOR BLADE REMOVAL Standard 15/16" box or open end wrench.</p>

Sears Rotary Walk-Behind Power Mowers conform to the safety standards of the American National Standards Institute, Outdoor Power Equipment Institute, and U.S. Consumer Product Safety Commission, as applicable.

RULES FOR SAFE USE



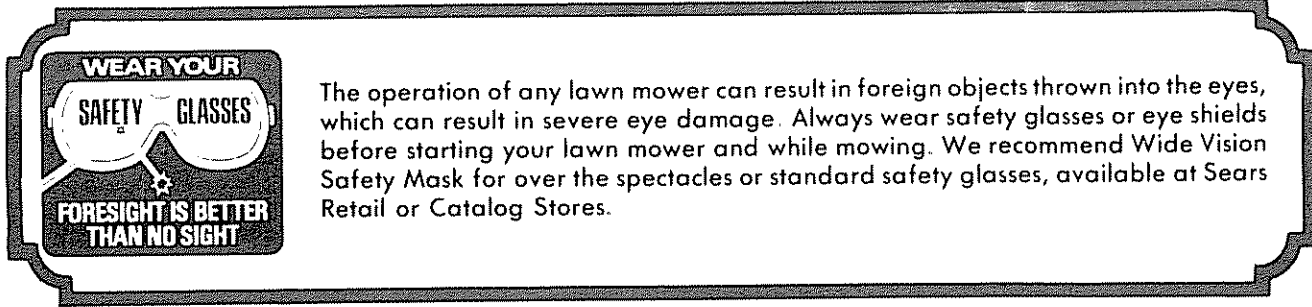
CAUTION: ALWAYS DISCONNECT SPARK PLUG WIRE AND PLACE WIRE WHERE IT CANNOT CONTACT SPARK PLUG TO PREVENT ACCIDENTAL STARTING WHEN SETTING—UP, TRANSPORTING, ADJUSTING OR MAKING REPAIRS TO YOUR MOWER.



IMPORTANT

FEDERAL REGULATIONS REQUIRE THE ENGINE CONTROL INSTALLED ON THIS MOWER IN ORDER TO MINIMIZE THE RISK OF BLADE CONTACT INJURY. DO NOT UNDER ANY CIRCUMSTANCE ATTEMPT TO DEFEAT THE FUNCTION OF THE OPERATOR CONTROL.

1. Please read your owner's manual. Only allow persons who know the safety rules to use your mower.
2. DO NOT tie the control bar to the handle. Control must be free to permit brake engagement when handles and control are released.
3. DO NOT allow children to use your mower.
4. Check your mower over before each time you mow. Tighten any loose bolts, nuts, etc.
5. Remove all sticks, stones, wires, cans, boards, etc. from area to be mowed. These objects can be thrown by the blade.
6. DO NOT allow children, bystanders, or pets in the mowing area.
7. BE CAREFUL - WHEN THE ENGINE IS RUNNING THE BLADE IS TURNING.
8. Always shut off engine before trying to adjust wheel heights.
9. When engine is running, DO NOT put hands or feet under mower or in the discharge chute, nor make any adjustments.
10. Stay clear of discharge opening at all times.
11. Check gasoline before each use. Do not fill gas tank when engine is running, when indoors or when engine is hot. Allow engine to cool before filling gas tank. Wipe off any spilled gasoline before starting engine.
12. Mow only in good light.
13. Wear only solid shoes when mowing. DO NOT operate mower when barefoot, or wearing open sandals.
14. Disengage drive control on power propelled mowers before starting engine.
15. DO NOT use a damaged mower. Always have damage repaired before mowing.
16. Always stop engine when not cutting grass or when crossing gravel drive, sidewalk, or roadway.
17. Never pull mower towards you, always follow mower to cut grass.
18. Never use your mower without proper guards or deflectors in place.
19. Always mow across a slope or inclined area. DO NOT mow up or down a slope or inclined area.
20. DO NOT mow in wet grass. DO NOT run with the mower.
21. DO NOT run your mower indoors. Exhaust gasses are deadly poison.
22. DRAIN THE GASOLINE tank before transporting your mower inside your car or other vehicle.
23. DO NOT run your mower if it vibrates too much. Stop engine and make repairs. Vibration is an indication of damage.
24. DO NOT change the engine governor settings to over-speed the engine--damage or injury can result.
25. If a grass catcher is used on your mower, check the catcher often for damage. Use only recommended catcher. Always stop engine to remove grass catcher.
26. DO NOT store your mower or gasoline where fumes may reach an open flame and cause a fire.
27. Always wear safety glasses or eye shields before starting your lawn mower and while mowing.



ACCESSORIES TO HELP YOU GET THE MOST FROM YOUR MOWER

CLIPPING DEFLECTOR: Converts rear bagging mowers to side discharge to disperse clippings safely and evenly.

HIGH WHEEL KIT: A pair of 12-inch rear wheels improves handling on soft, spongy lawns and uneven terrain. Includes height adjusters; doesn't affect cutting height range.

MOWER COVER: Sears Tyvek® cover protects mower from weather when stored outdoors.

GAS CAN: A new gas can keeps rust and dirt out of fuel system for longer engine life and improved performance. Craftsman gas cans have built in filters to keep impurities out of your engine.

THESE ACCESSORIES WERE AVAILABLE AT MOST SEARS STORES AND THROUGH THE CATALOG AT THE TIME THIS MANUAL WAS PRINTED.

IMPORTANT TIPS TO HELP YOUR LAWN MOWER START FASTER, RUN AND PERFORM BETTER

1. **USE UNLEADED GASOLINE:** It burns cleaner and leaves less residue in the engine. Regular gasoline can also be used. **DO NOT** use gasoline containing any alcohol or with any additives.
2. **DRAIN OR RUN-OUT ALL GASOLINE FROM TANK AT THE END OF THE SEASON:** **DO NOT** leave gasoline in your mower when stored for long periods. It will "GUM" your engine. Run engine until the gasoline runs out.
3. **START EACH MOWING SEASON WITH FRESH GASOLINE:** **DO NOT** keep gasoline in your can. If your gasoline can is starting to rust, replace can.
4. **CHANGE YOUR SPARK PLUG EVERY SPRING:** An old, corroded spark plug prevents fast starting and smooth running engine.
5. **REPLACE YOUR AIR CLEANER OR FILTER OFTEN:** Dirt, along with heat can harm your engine, the cleaner or filter will clog up, preventing clean air from reaching your engine. See "Air Cleaner/Filter" section of this manual for replacing air cleaner or filter.
6. **USE SAE 10W30 OIL:** **DO NOT** use SAE 10W40 oil.
7. **CHANGE OIL AS RECOMMENDED:** **IMPORTANT** - change oil after the first two (2) hours of use, then every 25 hours of use.
8. **REPLACE THE BLADE WHEN NEEDED:** You can sharpen the blade, but we do not recommend it. Erosion from hitting foreign objects can damage the blade. Replace blade with one specifically designed for your mower.
9. **AT THE END OF THE SEASON, CLEAN YOUR MOWER:** **IMPORTANT** - first disconnect the spark plug wire. If possible, store your mower in a well ventilated area and protected from moisture.
10. **FOLLOW THE MAINTENANCE SUGGESTIONS IN YOUR OWNERS MANUAL:** Read your manual and keep it in a convenient place for easy reference.
11. **DO NOT PUT ANY ADDITIVES IN THE OIL OR GASOLINE:** **DO NOT USE GASOHOL**, or gasoline containing any alcohol.

Your lawn mower has been completely assembled at the factory, except for the grass catcher and grass catcher frame. To set-up and attach grass catcher, follow the steps under "GRASS CATCHER".

The following parts are included not assembled:

- 1 Grass Catcher Frame
- 1 Grass Catcher Top
- 1 Grass Catcher Bottom
- 1 Hardware Package

HOW TO SET-UP YOUR MOWER

TO UNFOLD HANDLE

1. Raise the handles until the lower handle is in mowing position (See Fig. 2).

NOTE: The lower handle automatically locks into mowing position when raised from shipping to mowing position.

2. Raise the upper handle into position on the lower handle and tighten the two (2) handle knobs.

NOTE: The anti-pivot bracket on your mower handle prevents folding upper handle the wrong way which can bend control cables (See Fig. 5).

3. The handle can be mounted in high or low position to suit the comfort of the user. The handles are shipped mounted in the high position.

4. If the handle feels too high for you:

- a. Remove the two (2) screws and one (1) bolt, washer and locknut holding the trim plate and rope guide to lower handle. Keep for re-assembly (See Fig. 1).
- b. Remove the handle knobs and bolts from upper and lower handle.
- c. Remove the hairpin cotters (See Fig. 3).
- d. Turn handle over, position handle levers in place (See Fig. 4).
- e. Put handle back on mounting pins (See Fig. 3).
- f. Put springs and hairpin cotters back in mounting pins (See Fig. 3).
- g. Put upper handle on lower handle using handle bolts and knobs previously removed.

NOTE: Be sure anti-pivot bracket is on right hand side of your handle (See Fig. 5).

- h. Put trim plate and rope guide back on lower handle, removed in (a) above. Tighten the two (2) screws and one (1) bolt (See Fig. 1).

NOTE: Be sure washer is between trim plate and rope guide bracket.

- i. Snap cable clip over cable and lower handle (See Fig. 1).

5. To fold handle for storage, squeeze the handle levers until lower handle clears handle brackets, then move handle forward (See Fig. 3).

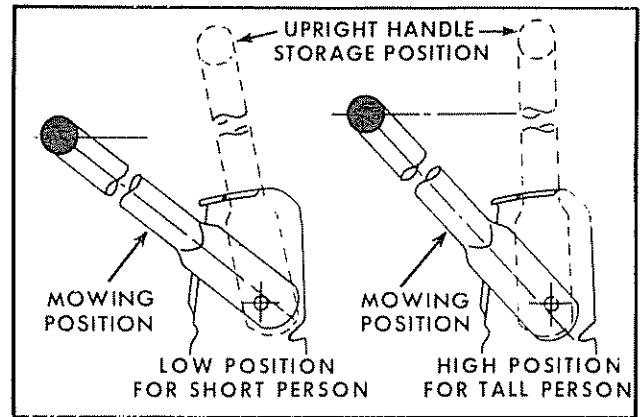


FIG 2

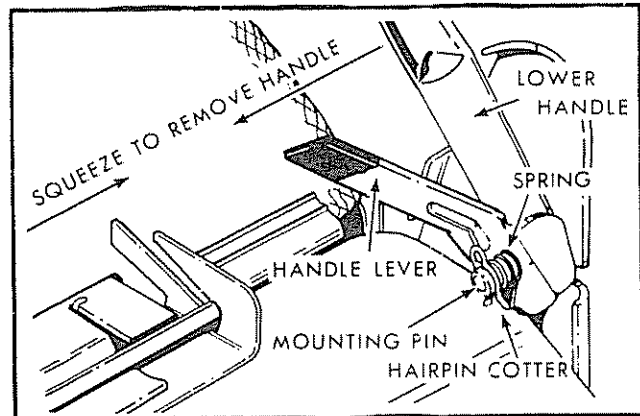


FIG 3

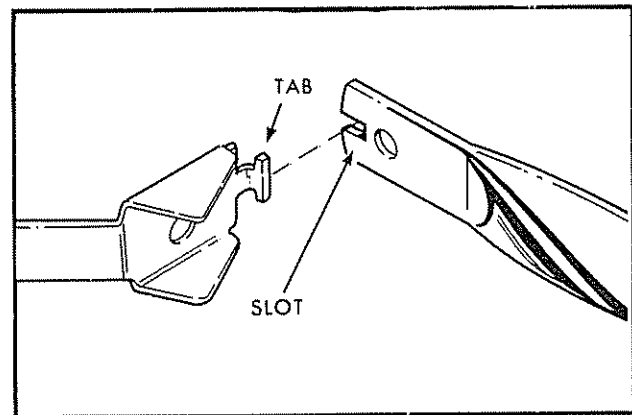


FIG 4

CAUTION: WHEN FOLDING HANDLE FOR TRANSPORTING OR STORAGE, BE SURE TO FOLD HANDLE AS SHOWN IN FIG. 5. IF YOU FOLD HANDLE THE WRONG WAY, YOU MAY BEND THE CONTROL CABLES.

TO ADJUST HEIGHT OF CUT

NOTE: The wheels are set in a low cut position for shipment, and should be adjusted for the cutting height desired before use. **NOTICE:** Lowering wheels raises the height of cut.

HOW TO SET-UP YOUR MOWER (CONT'D)

TO ADJUST HEIGHT OF CUT (CONT'D)

CAUTION: DO NOT change the height of cut with the engine running.

1. The wheel adjusters give you five (5) different cutting positions. Medium cut is the best for most lawns.
2. High cut is approximately 3 5/8", medium cut is approximately 2 1/2", and low cut is approximately 1 3/8". There are two (2) other positions. Pick the position which suits you for best cutting (See Fig. 6).
3. The wheel adjusters on your lawn mower can be easily adjusted as shown in Fig. 7. To change the height of cut, squeeze adjuster lever toward the wheel, moving up or down to selected height. Be sure all wheels are in the same setting (See Fig. 6).
4. When cutting in heavy or moist grass, the rear of the lawn mower may be raised one setting higher to allow better discharge of the grass.

REAR DEFLECTOR

The rear deflector, attached between the rear wheels of your lawn mower, was assembled at the factory and requires no assembly.

TO ASSEMBLE GRASS CATCHER

NOTE: The grass catcher for your mower is supplied unassembled. To assemble your grass catcher follow steps below.

1. Position clamp onto catcher frame as shown in (Fig. 8) and close ends of clamp.
2. Put grass catcher frame into catcher top (See Fig. 8).
3. Put one (1) #10-24 x 5/8 truss head screw into hole in catcher top and clamp and #10-24 locknuts. DO NOT TIGHTEN (See Fig. 8).
4. Put three (3) #10-24 x 5/8 truss head screws into the catcher frame using #10-24 locknuts. Use a flat blade screwdriver to drive screws while holding the locknuts with adjustable or 3/8" wrench (See Fig. 8).
5. Position baffle inside of catcher top as shown in (Fig. 9). Put two (2) #10-24 truss head screws into holes with two (2) #10-24 locknuts. Use a flat blade screwdriver to drive screws while holding the locknuts with adjustable or 3/8" wrench.
6. Position top half of catcher on the bottom half (See Fig. 8).
7. Align the holes in sides of top and bottom halves of catcher.
8. Install the eight (8) 1/4-20 x 5/8" truss head screws with the eight (8) 1/4-20 "Keps" nuts into the holes in the catcher side.
9. Tighten the screws with a flat blade screwdriver.
10. Hold the "Keps" nuts with an adjustable or 7/16" wrench while tightening the screws.

NOTE: Be sure all screws and nuts are tight.

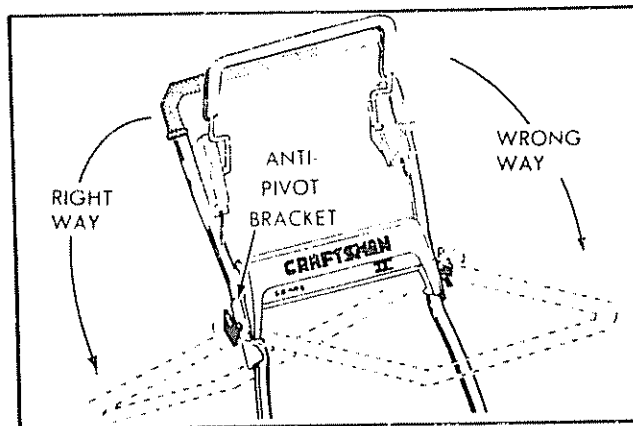


FIG. 5

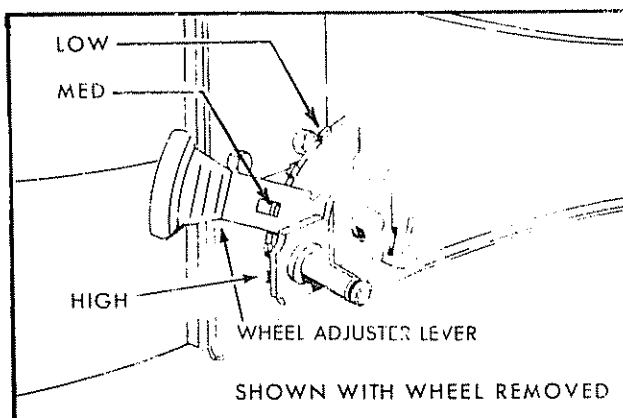


FIG. 6

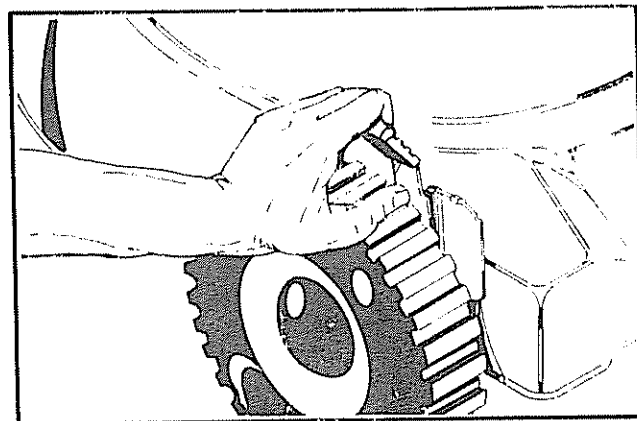


FIG. 7

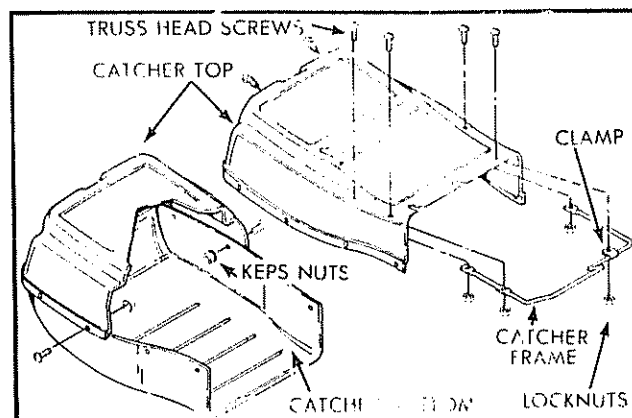


FIG. 8

HOW TO SET-UP YOUR MOWER (CONT'D)

TO ATTACH GRASS CATCHER

1. Place the catcher frame into the slots of the hinge bracket.
2. Depress the door latch tab and slide the frame into position at the end of the slot (See Fig. 10).
3. Release door latch tab to lock frame into place.
4. To remove grass catcher, stop blade, lift up on back of grass catcher with one (1) hand and press down on the door latch tab with the other hand (See Fig. 10).
5. When grass catcher frame is unlatched, remove catcher from the rear of the mower and empty.
6. When grass catcher is removed from the mower, the rear door closes for safety.

NOTE: YOUR REAR BAGGER MOWER IS NOT A MULCHING MOWER. DO NOT OPERATE YOUR MOWER WITHOUT AN APPROVED GRASS CATCHER OR OPTIONAL CLIPPING DEFLECTOR IN PLACE.

NEVER ATTEMPT TO OPERATE THE MOWER WITH THE DOOR REMOVED OR PROPPED OPEN.

BEFORE STARTING ENGINE

1. Remove engine oil cap with dipstick and fill to the "FULL" line on the dipstick, using about 1 pint or 0.5 liters of Sears 10W30 oil or equivalent. SAE 30 oil can also be used (See Fig. 11). **DO NOT** use SAE 10W40 oil.

The total oil capacity of your engine is 21 oz. or 0.62 liters. Fill only to the "FULL" line on the dipstick. **DO NOT** over fill. The first fill on a new engine use about 1 pint or 0.5 liters. Check oil level and add as required to bring to proper level.

2. Pour oil slowly, **DO NOT** over fill.

NOTE: On a new engine some oil may be left in the engine, as each engine is run for operational checks before shipping.

3. **AFTER THE FIRST TWO (2) HOURS OF MOWING CHANGE THE OIL.** See "To Change Oil" section under maintenance.

Use only oil with automotive classifications SF, SE, SD, or SC markings on oil container.

4. Fill the gasoline tank with about one and one half (1 1/2) quarts of fresh, clean unleaded automotive gasoline. Regular leaded gasoline can also be used (See Fig. 11).

DO NOT use old or stale gasoline which has been kept from one season to another; starting problems can result.

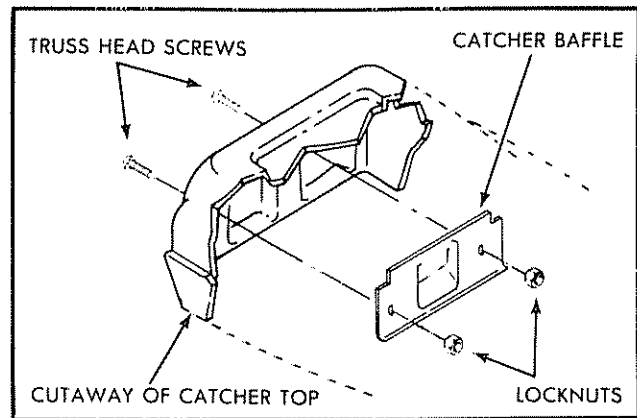


FIG. 9

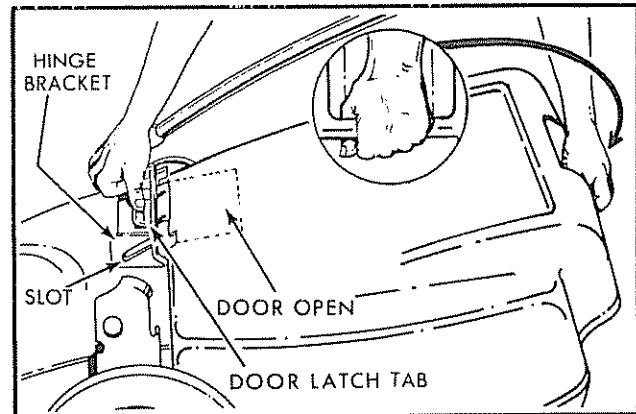


FIG. 10

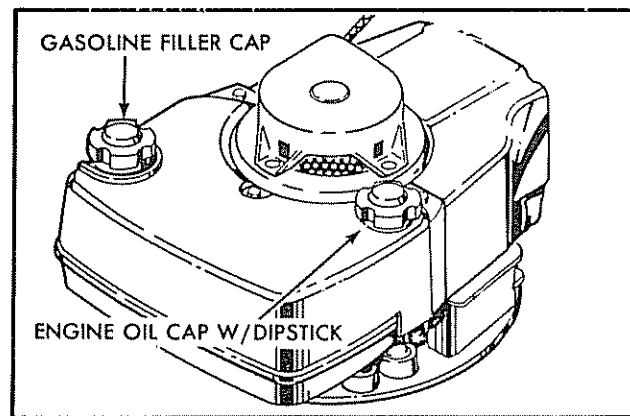


FIG. 11

CAUTION: DO NOT USE GASOLINE CONTAINING ANY AMOUNT OF ALCOHOL, AS IT CAN CAUSE SERIOUS DAMAGE OR CAN SIGNIFICANTLY REDUCE ENGINE PERFORMANCE.

DO NOT USE PREMIUM LEADED GASOLINE. DO NOT PUT ANY ADDITIVES IN THE OIL OR GASOLINE.

Be sure your gasoline can is clean and free of rust and dirt.

Replace your can if it has started to rust.



REMEMBER: Read your Owner's Manual and Rules for Safe Use.

HOW TO USE YOUR MOWER

IMPORTANT

ENGINE CONTROL

CAUTION: THE BLADE TURNS WHEN THE ENGINE IS RUNNING.

YOUR MOWER IS EQUIPPED WITH AN OPERATOR ZONE ENGINE CONTROL WHICH REQUIRES THE OPERATOR TO BE POSITIONED BEHIND THE MOWER HANDLE TO START AND OPERATE THE MOWER.

THE CONTROL BAR MUST BE DEPRESSED TO THE HANDLE TO START AND RUN THE ENGINE, RELEASING THE CONTROL BAR WILL STOP THE ENGINE. AN INTERNAL ENGINE BRAKE ASSISTS THE BLADE IN STOPPING QUICKLY.

WHEN THE OPERATOR LEAVES THE NORMAL MOWING POSITION TO REMOVE THE GRASS CATCHER, CHANGE THE CUTTING HEIGHT, PICK UP STICKS OR OTHER OBJECTS IN THE MOWING PATH, THE ENGINE WILL AUTOMATICALLY STOP WHEN THE CONTROL BAR IS RELEASED.

CAUTION: FEDERAL REGULATIONS REQUIRE THE ENGINE CONTROL INSTALLED ON THIS MOWER IN ORDER TO MINIMIZE THE RISK OF BLADE CONTACT INJURY. DO NOT UNDER ANY CIRCUMSTANCE ATTEMPT TO DEFEAT THE FUNCTION OF THE OPERATOR CONTROL.

ENGINE CONTROL

The engine speed is controlled by a lever (red knob) located on right side of engine. It has "HIGH" and "LOW" positions. "HIGH" position is for starting engine, heavy cutting and better grass bagging. "LOW" position is for light cutting, trimming and fuel economy (See Fig. 12).

TO START ENGINE

THE CONTROL BAR MUST BE DEPRESSED TO THE HANDLE TO START AND RUN THE ENGINE.

NOTE: The carburetor has a fixed fuel mixture and has a primer to assist starting.

1. Check oil level; check gasoline tank for gasoline; and make sure spark plug wire is attached.
2. Push lever forward to "HIGH" position (See Fig. 12).
3. When starting a cold engine, push the primer five (5) times before pulling starter rope. Use firm pushes when pushing primer, wait several seconds between each push (See Fig. 12).
4. Repeat step 3 above as required.

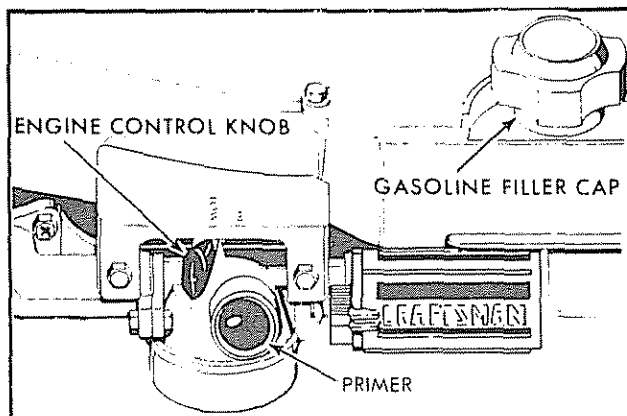


FIG. 12

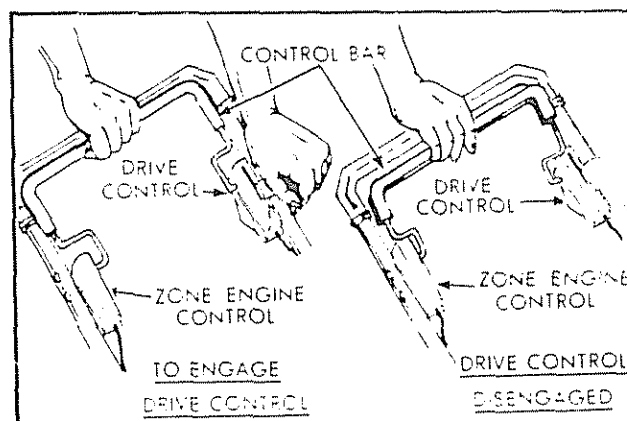


FIG. 13

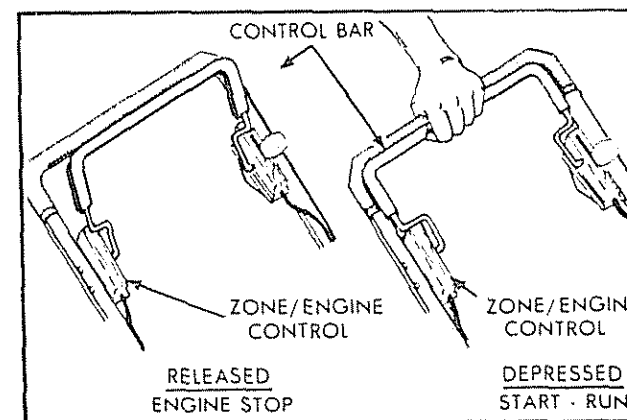


FIG. 14

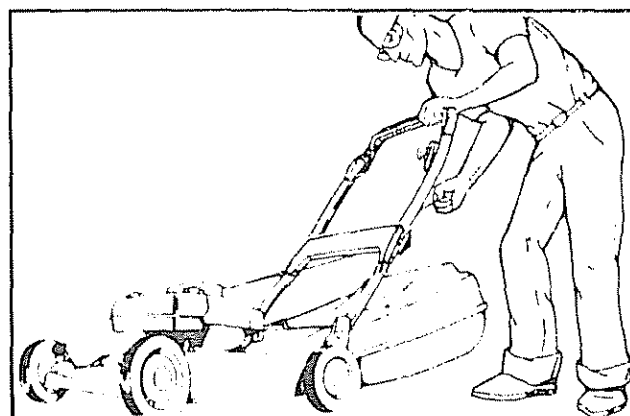


FIG. 15

HOW TO USE YOUR MOWER (CONT'D)

TO START ENGINE (CONT'D)

NOTE: In cooler weather the need to repeat priming procedures may be necessary, when weather is warmer over priming may result in flooding. If you do flood engine wait a few minutes before repeating priming procedures.

It is not normally necessary to use the primer to start warm engine.

5. Position yourself as shown in Fig. 15.
6. Pull on starter handle quickly.
7. **DO NOT** allow starter rope to snap back.
8. To stop the engine, release the control bar (See Fig. 14).

IF ENGINE DOES NOT START

1. Check blade - remove spark plug wire when checking blade. If blade is loose, see "BLADE AND BLADE FLANGE CARE" of manual for instructions on tightening blade.
2. Check air filter - replace if clogged. See "Air Filter" section.
3. Check spark plug - if dirty, clean or replace.
4. Observe that lower end of the engine control cable is actuating the lever mounted on the engine.
5. Engine may be flooded - wait a few minutes and repeat starting procedure.

NOTE: If then your engine will not start, contact your nearest Sears Service Department for help.

ZONE/ENGINE CONTROL

Your mower is equipped with a zone/engine control attached and requires no adjustments (See Fig. 13).

DRIVE CONTROL

The power-propelling forward motion is controlled by pulling the control bar down to handle and pushing control forward to engage position (See Fig. 13).

Forward motion will stop when the control bar is released.

To stop forward motion without stopping the engine, release the control bar slightly until the drive control disengages. Depress control bar to handle to continue mowing without self-propelling.

To turn corners, you may prefer to keep the drive control engaged, and push down on the handle, lifting the front wheels off the ground and turning mower.

POWER-PROPELLED DRIVE

1. Your power-propelled drive is accomplished by a belt drive from the engine crankshaft to a worm gear case.
2. The drive belt is spring-loaded at the gear case to maintain proper belt tension. Keep the area

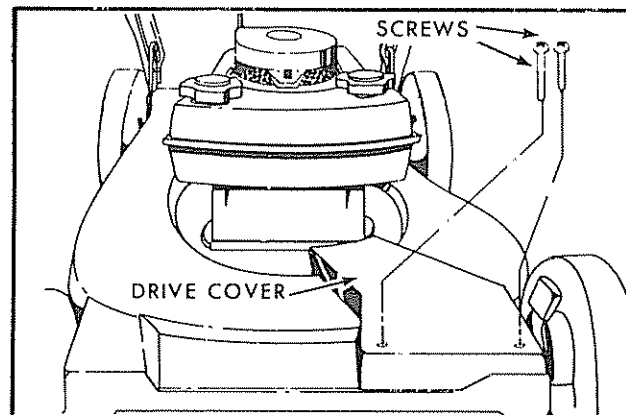


FIG. 16

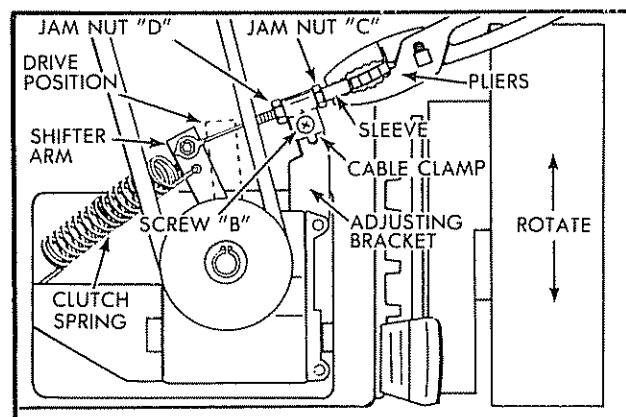


FIG. 17

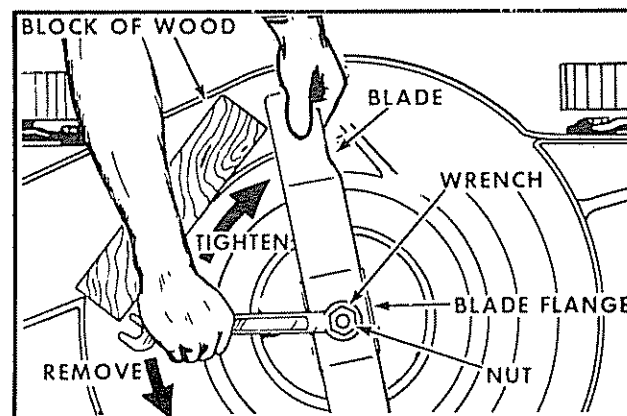


FIG. 18

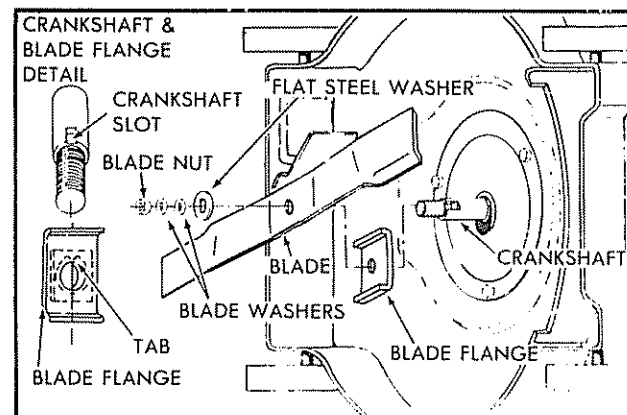


FIG. 19

HOW TO USE YOUR MOWER (CONT'D)

POWER-PROPELLED (CONT'D)

around the gear case clear of trash by removing drive cover and cleaning (See Fig. 16 and 17).

3. The gear case is lubricated with multi-purpose automotive grease. DO NOT USE ANY OTHER type grease or oil in the gear case. See "GEAR CASE" under "MAINTENANCE".
4. Check your mower, each time you mow, to be sure that the front wheels turn freely. If wheels DO NOT turn freely, remove any trash which may have gotten into the wheel, pinion, or bearing areas.
5. If at any time, the drive belt is replaced, use only factory specified belt to get longer life and maximum performance.

MOWING TIPS

1. Under certain conditions it may be necessary to raise the height of cut from overloading the engine and leaving clumps of grass clippings.
2. For extremely heavy cutting, make the width of your cut $1/2$ to $3/4$ the normal cut. This will reduce the load on the engine and give you cleaner cutting and bagging.
3. The user should note that when cutting moist, heavy grass with a rear bagging mower, clumps of cut grass may fail to enter the grass catcher. To pick up the clumps if they occur, run the mower over the area a second time.
4. Under certain conditions a trail of grass clippings may be left at the right side of the mower. Mowing in a clockwise direction with a small overlap will allow these clippings to be collected on the next pass.

MAINTENANCE

Be good to your mower. Once a year put on a new mower blade, a new spark plug, and a new air filter. A new blade cuts better. With a new spark plug your engine will start and run better. A new air filter assures proper air-fuel mixture. It will help your engine run better and last longer.

MOWER:

BLADE/BLADE FLANGE CARE

CAUTION: Protect your hands when removing or installing blade of your mower. Wear heavy gloves and/or wrap blade with heavy cloth when holding blade. Always use a block of wood when tightening blade nut or blade bolt.

Use only a Sears authorized replacement blade to get the best cutting results.

CAUTION: Disconnect spark plug wire from spark plug and place wire where it cannot come in contact with the spark plug.

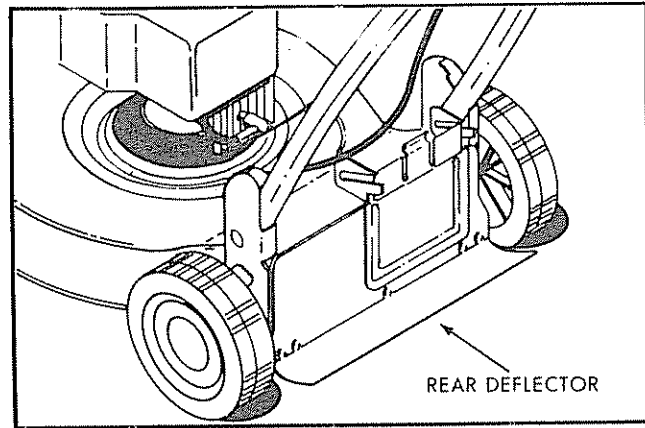


FIG. 20

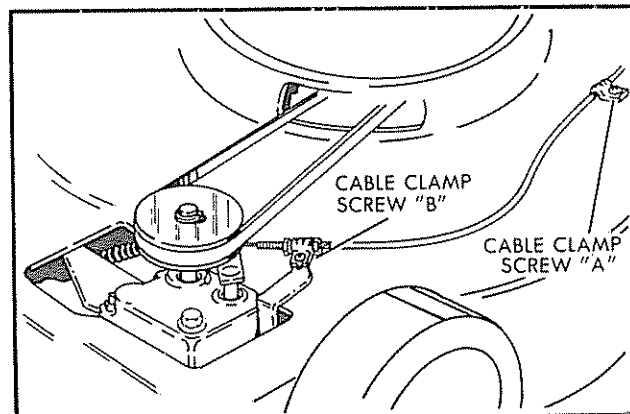


FIG. 21

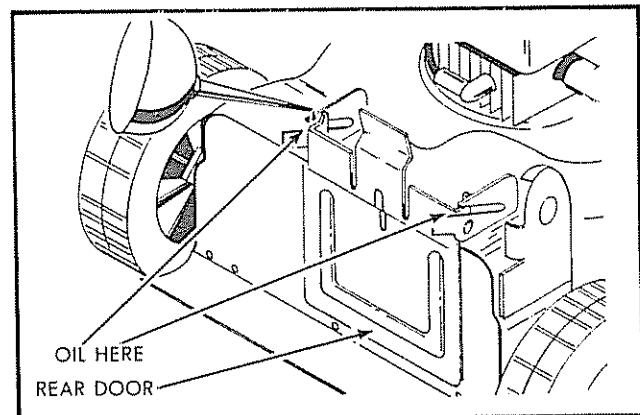


FIG. 22

1. To remove the blade and blade flange, turn mower on its side with carburetor and air filter up (See Fig. 18).
2. Take blade nut off by turning counter-clockwise. Use a $15/16$ " box or open end wrench on the blade nut (See Fig. 18).
3. Put a block of wood between the blade and mower housing to prevent blade rotation when removing and tightening blade nut.

NOTE: Always check the blade flange when changing the blade to be sure tab has not been damaged (See Fig. 19).

4. If the tab in the blade flange is damaged replace the blade flange.

MAINTENANCE (CONT'D)

BLADE/BLADE FLANGE CARE (CONT'D)

NOTE: The blade flange with tab attaches the blade to crankshaft. It is not intended to protect the crankshaft. The tab must be in good condition and located in slot of crankshaft to keep blade attached.

5. Put the blade flange on the engine crankshaft with the tab in the slot of the crankshaft (See Fig. 19).
6. Put the blade on the crankshaft as shown in (Fig. 19). Be sure the word "TOP" (stamped in the blade) is toward the engine.
7. Install the flat washer, two (2) formed washers and blade nut as removed above.

NOTE: We recommend that the blade nut be replaced when installing a new blade.

8. Tighten blade nut. The recommended tightening torque is 50-65 ft. lbs. Use block of wood to prevent blade rotation.

NOTE: Torque wrenches are available at most Sears retail stores and through the catalog.

A loose blade can result in difficult starting of engine.

We do not recommend sharpening blade-but if you do, be sure blade is balanced. An unbalanced blade can cause excessive vibration and contribute to shortening the life of the engine and mower.

REAR DEFLECTOR

The rear deflector which is attached to the rear of your mower is to keep objects from being thrown out the back of the mower. If your rear deflector becomes damaged you should replace it (See Fig. 20).

TO ADJUST DRIVE CONTROL CABLE

NOTE: THE DRIVE CONTROL CABLE SHOULD BE CHECKED OFTEN TO BE SURE THAT GEAR CASE SHIFTER IS FULLY ENGAGED OR WHENEVER SERVICE HAS BEEN PERFORMED ON THE GEAR CASE OR DRIVE CONTROL COMPONENTS.

1. To adjust, remove the drive cover by removing two (2) screws. Keep for re-use (See Fig. 16).
2. Loosen screw holding cable clamp (See Fig. 17).
3. Loosen screws holding cable clamp "A" & "B" (See Figs. 17 and 21).
4. Loosen both jam nuts "C" & "D" at the cable clamp on the gear case adjusting bracket (See Fig. 17).
5. Unhook clutch spring from shifter arm (See Fig. 17).
6. Hold, clip or tape down the drive control bar and engage the drive control (See Fig. 13).
7. Move the shifter arm to drive position. To be sure the jaw clutch is fully engaged, rotate the front wheels.

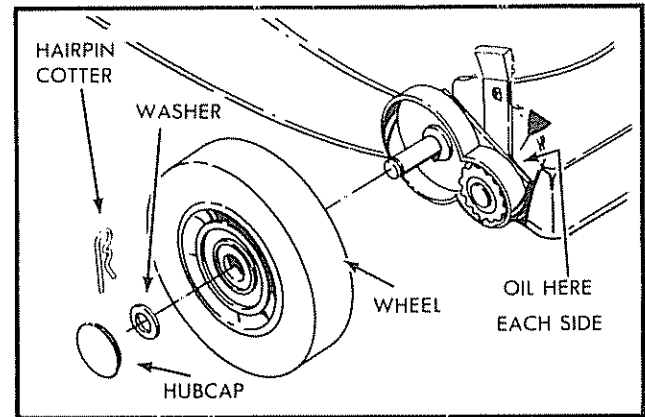


FIG. 23

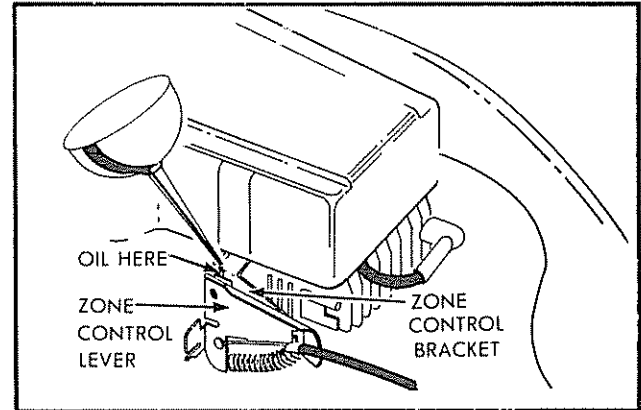


FIG. 24

8. Hold shifter arm in fully engaged position by pliers as shown in Fig. 17. DO NOT pull on control cable.
9. Tighten jam nut "C" up to bracket until cable is snug.
10. Tighten cable clamp screw "B" (See Figs. 17 and 21).
11. Tighten jam nut "D" up to bracket (See Fig. 17).
12. Tighten screw "A".
13. Put clutch spring back in place on shifter arm, removed in step 5 above.
14. With drive control in engaged position, push mower back and forth to be sure gear case is fully engaged.

NOTE: Be sure to disengage drive control before starting engine.

15. Put drive cover back in place, removed in step 1 above.

GEAR CASE

1. THE GEAR CASE AND AREA AROUND ALL THE DRIVE SHOULD BE KEPT CLEAN AND FREE OF TRASH BUILD-UP.
2. To check gear case area:
 - a. Remove the drive cover by removing the two (2) screws (See Fig. 16). Keep for re-use.
 - b. Clean trash from around gear case.
 - c. Put drive cover back, removed in (a) above.

MAINTENANCE (CONT'D)

GEAR CASE (CONT'D)

NOTE: The gear case is filled to proper level at the factory. The only time the lubricant needs attention, is if service has been performed on the gear case.

The gear case must be filled with grease after gear case has been serviced. Use only multi-purpose automotive grease. Do not substitute.

LUBRICATION

MOWER WHEELS: Lubricating wheels and/or wheel bearings is not necessary under normal conditions.

Should conditions require lubrication, thoroughly clean wheels and/or wheel bearings and axles and apply a light coating of dry lubricant such as white graphite. White graphite is available at Sears retail stores and through the catalog.

REAR DOOR HINGE: Put a few drops of the same oil as used in the engine on hinge points of rear door once or twice each year (See Fig. 22).

GEAR CASE: The gear case is filled at the factory and does not require any addition of lubricant, unless the gear case is opened and service performed. Use only a multi-purpose automotive grease for refilling after service has been performed. Approximately 2 1/2 oz. required.

FRONT WHEEL ADJUSTERS: Put a few drops of the same oil as used in the engine on the front wheel adjusters once or twice each year (See Fig. 23).

GRASS CATCHER

Check your grass catcher often. Through normal use it will wear. If catcher needs replacing, replace only with a manufacturer approved replacement catcher from Sears. Give the mower model number when ordering.

NOTE: The catcher may be hosed with water, but must be dry when used.

ZONE/CONTROL LEVER

Put one or two drops of the same oil as used in the engine between the zone control lever and bracket located on left rear of engine (See Fig. 24). Do this once or twice each year.

ZONE/ENGINE CONTROL

Check your zone/engine control cable often for defects or wear and replace if found to be damaged or worn.

CLEANING

CAUTION: Disconnect spark plug wire from spark plug and place wire where it cannot come in contact with the spark plug.

1. Turn mower on its side with carburetor up.

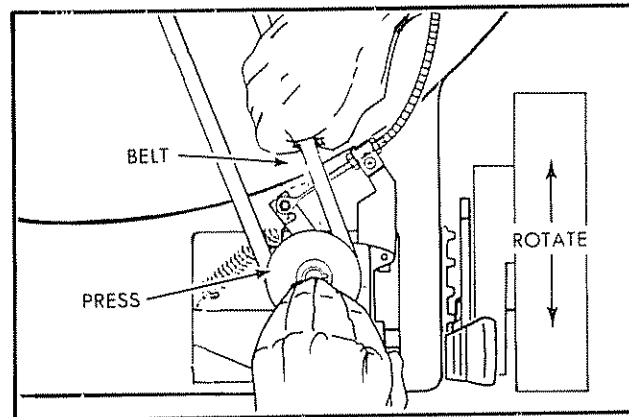


FIG 25

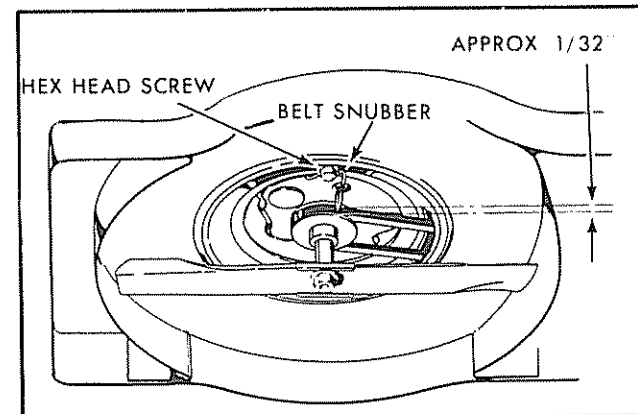


FIG 26

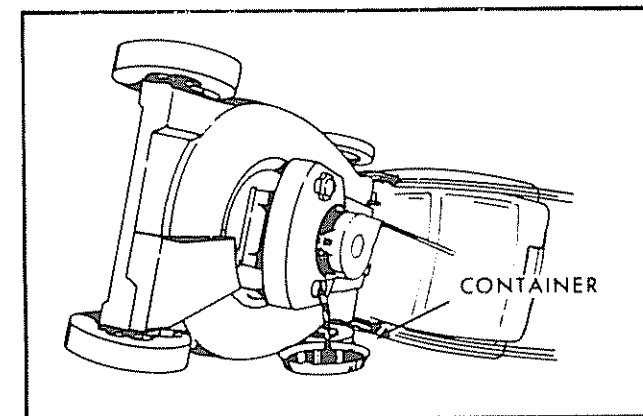


FIG 27

2. Clean the underside of your mower by scraping to remove build-up of grass and trash.

NOTE: We recommend that you clean the underside of your mower after each use.

3. Clean your mower and engine often to keep build-up of trash from accumulating around engine, a clogged engine runs hotter and shortens engine life.

NOTE: We DO NOT recommend using a garden hose to clean mower unless the electrical system, muffler, air filter, and carburetor are covered to keep water out. Water in engine can result in shortening engine life.

MAINTENANCE (CONT'D)

GEAR CASE AND DRIVE WHEELS

NOTE: The gear case and drive wheels should be cared for much like you would an automobile.

1. On a regular schedule remove the drive cover and remove any trash around gear case and belt area.
2. To remove drive cover, remove the two (2) screws (See Fig. 16). Keep for re-use.
3. Keep your mower clean and properly lubricated.

DRIVE WHEELS

NOTE: Check front drive wheels each time before you mow, to be sure they move freely.

1. The wheels not turning freely, indicates trash, grass, cuttings, etc. are in the drive wheel area, and must be cleaned to free drive wheels.
2. If necessary to clean the drive wheels (See Fig. 23) check both front wheels.
 - a. Remove hub caps, hairpin cotters and washers. Keep for re-use.
 - b. Remove wheel from wheel adjusters.
 - c. Remove any trash, grass cuttings from inside the dust cover, pinion and/or drive wheel gear teeth.
 - d. Put wheels back in reverse of removal.
3. If after cleaning drive wheel area, the drive wheels DO NOT rotate freely, the gear case needs care.

NOTE: If your gear case requires service we suggest that you contact Sears Service Center.

TO CHECK AND/TO REPLACE BELT

1. Remove the drive cover by removing the two (2) screws (See Fig. 16).
 2. Inspect belt for wear or damage. If you decide to replace:
 - a. Push down on gear case pulley until belt can be removed from gear case pulley (See Fig. 25).
 3. Turn mower on its side with carburetor up.
 4. Loosen hex head screw holding belt snubber in place and move belt snubber away from pulley (See Fig. 26).
 5. Move belt snubber away from pulley to allow belt removal.
 6. Remove belt from engine pulley on crankshaft, and carefully slip the belt off over the blade.
- CAUTION:** The sharp edges of blade can cut the belt. Use care in installing new belt over blade.
7. To install new belt, reverse procedure as above in removal.
 8. Move belt snubber back in place, approximately 1/32" away from belt and tighten hex head screw (See Fig. 26).

NOTE: Always use only factory approved belt to assure proper fit and longer life.

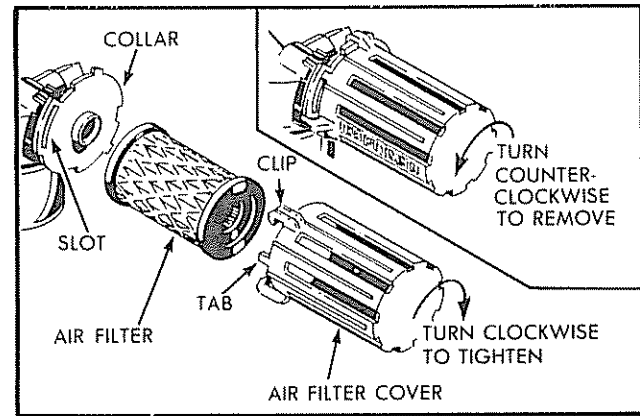


FIG. 28

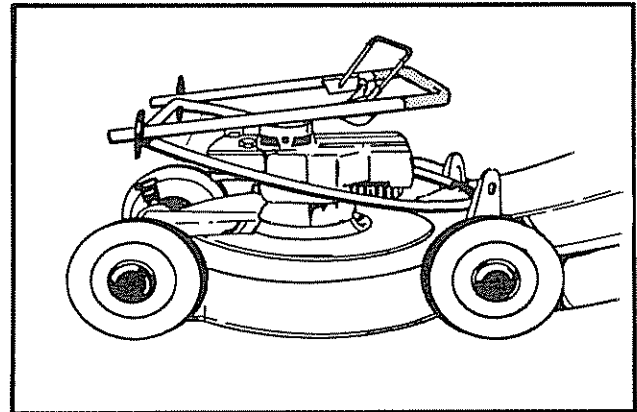


FIG. 29

ENGINE:

LUBRICATION

ENGINE: Use of proper oil in your engine and keeping to full level is essential. Changing oil regularly will lengthen the life of your engine.

The total oil capacity of your engine is 21 oz. or 0.62 liters. Fill only to the "FULL" line on the dipstick. DO NOT over fill. The first fill on a new engine use about 1 pint or 0.5 liters. Check oil level and add as required to bring to proper level.

NOTE: On a new engine some oil may be left in the engine, as each engine is run for operational checks before shipping.

Use Sears SAE 10W30 oil or equivalent. SAE 30 oil can also be used. DO NOT use SAE 10W40 oil. Use only oil with automotive classifications SF, SE, SD, or SC markings on oil container.

Using Sears SAE 10W30 oil will assist engine starting in cool weather.

Running your engine with oil below safe level or with dirty contaminated oil can contribute to shortening the life of your engine.

After the first two (2) hours of mowing change the oil, then change the oil every 25 hours of mowing thereafter. If you mow under very dusty, dirty conditions you may need to change the oil more often.

MAINTENANCE (CONT'D)

TO CHANGE OIL

CAUTION: Disconnect spark plug wire from spark plug and place wire where it cannot come in contact with the spark plug.

1. Remove engine oil cap with dipstick, lay aside on a clean surface. Warm oil drains better.
2. Tip mower on its side as shown in Fig. 27 and drain oil into suitable container. Rock mower back and forth to remove any oil trapped inside of engine.
3. Wipe off any spilled oil on mower and/or inside of engine.
4. Fill engine with oil, fill only to the "FULL" line on the dipstick. DO NOT over fill.
5. Reconnect spark plug wire to spark plug.

AIR FILTER

CAUTION: DO NOT run your engine without air filter in place.

1. Your engine will not run properly with a clogged, dirty air filter.

NOTE: DO NOT wash this type air filter.

2. Replace your air filter each year, more often if you mow in very dusty, dirty conditions.

Replacement air filter no. 713332 is available at most Sears retail stores and through the catalog.

TO CHANGE AIR FILTER

1. Remove the air filter cover by turning counter-clockwise to the stop, and pull away from collar (See Fig. 28).
2. Remove filter from inside of cover (See Fig. 28).
3. Clean the inside of the cover and the collar to remove any dirt accumulation.
4. Insert new filter into cover.
5. Put air filter cover and filter into collar aligning the tab with the slot.
6. Push in on cover and turn clockwise to tighten (See Fig. 28).

SPARK PLUG

Change your spark plug each year.

A new clean spark plug will make your engine start and run better. Keep your spark plug clean. Set spark plug gap at .030.

Recommended replacement Sears spark plug no. 7133312 or STD361458 are available at most Sears retail stores and through the catalog.

GENERAL

DO NOT use gasoline left over from previous season. Old or stale dirty gasoline can cause starting and running problems.

Replace your gasoline can, if your old can starts to rust. DO NOT use rusty gasoline can, rust and/or dirt in your gasoline can cause problems.

STORAGE

Never store engine with gasoline in tank, indoors or in closed, poorly ventilated areas where gasoline fumes may reach an open flame, spark or pilot light as on a furnace, water heater, or clothes dryer, etc.

If your engine is not to be used for 30 days or more prepare as follows:

Drain gasoline from fuel tank; gasoline in gasoline tank and carburetor will form deposits and cause problems in starting and running your engine.

When preparing your mower for storage it is a good time to service your mower and engine to be ready for the next mowing season. Replace such parts as mower blade, spark plug, and air filter. CHANGE OIL: Warm oil drains better.

Drain old oil and replace with fresh clean Sears SAE 10W30 oil.

See "To Change Oil" section under Maintenance.

Remove spark plug and put 2 or 3 tablespoons of oil into spark plug opening and pull starter rope slowly to distribute oil, install new spark plug and tighten.

DO NOT PUT ANY ADDITIVES IN GASOLINE OR OIL.

CLEAN MOWER/ENGINE

CAUTION: Before cleaning mower, disconnect spark plug wire and place wire where it cannot come in contact with the spark plug.

Clean around engine and on top of mower. Scrape underside of mower using putty knife or similar tool to remove any build-up of trash or grass on underside of mower housing.

NOTE: We DO NOT recommend using a water hose to clean your mower unless the electrical system, muffler, air filter and carburetor are covered to keep water out. Water in engine can result in shortening engine life.

CHECK FASTENERS

Check all fasteners and be sure they are tight, tighten and/or replace any loose or worn fasteners.

GRASS CATCHER

Check your grass catcher often. Through normal use it will wear. If catcher needs replacing, replace only with a manufacturer approved replacement catcher from Sears. Give the mower model number when ordering.

NOTE: The catcher may be hosed with water, but the catcher must be dry when used.

STORAGE (CONT'D)

REPLACE BLADE

See "Blade Care" section under Maintenance. To get the best cutting results we recommend that you replace your blade with a Sears original equipment blade each year.

Replacement blade is available at most Sears stores and through the catalog. Be sure to give your mower model number when ordering blade. We **DO NOT** recommend sharpening blade-but if you do, be sure that blade is balanced. An unbalanced blade can cause excessive vibration and contribute to shortening the life of the engine and mower.

GENERAL

Always store your mower on its wheels. Storing mower on its side or end, may result in difficult starting.

When removing your mower from storage, fill gasoline tank with fresh, clean, unleaded, automotive gasoline. Check and fill oil to proper level.

When starting your engine the first time after being in storage for extended period, the engine may smoke for a while until the engine burns any oil or gasoline accumulated during the storage period.

DO NOT store gasoline from one season to another. Use up or dispose of any unused gasoline left from the mowing season.

Replace your gasoline can if your can starts to rust. **DO NOT** use rusty gasoline can. Rust and/or dirt in your gasoline can cause problems.

DO NOT store your mower under any plastic cover, plastic cannot breathe which promotes condensation and can cause your mower to rust.

HANDLE

You can fold your mower handle for storage (See Fig. 29).

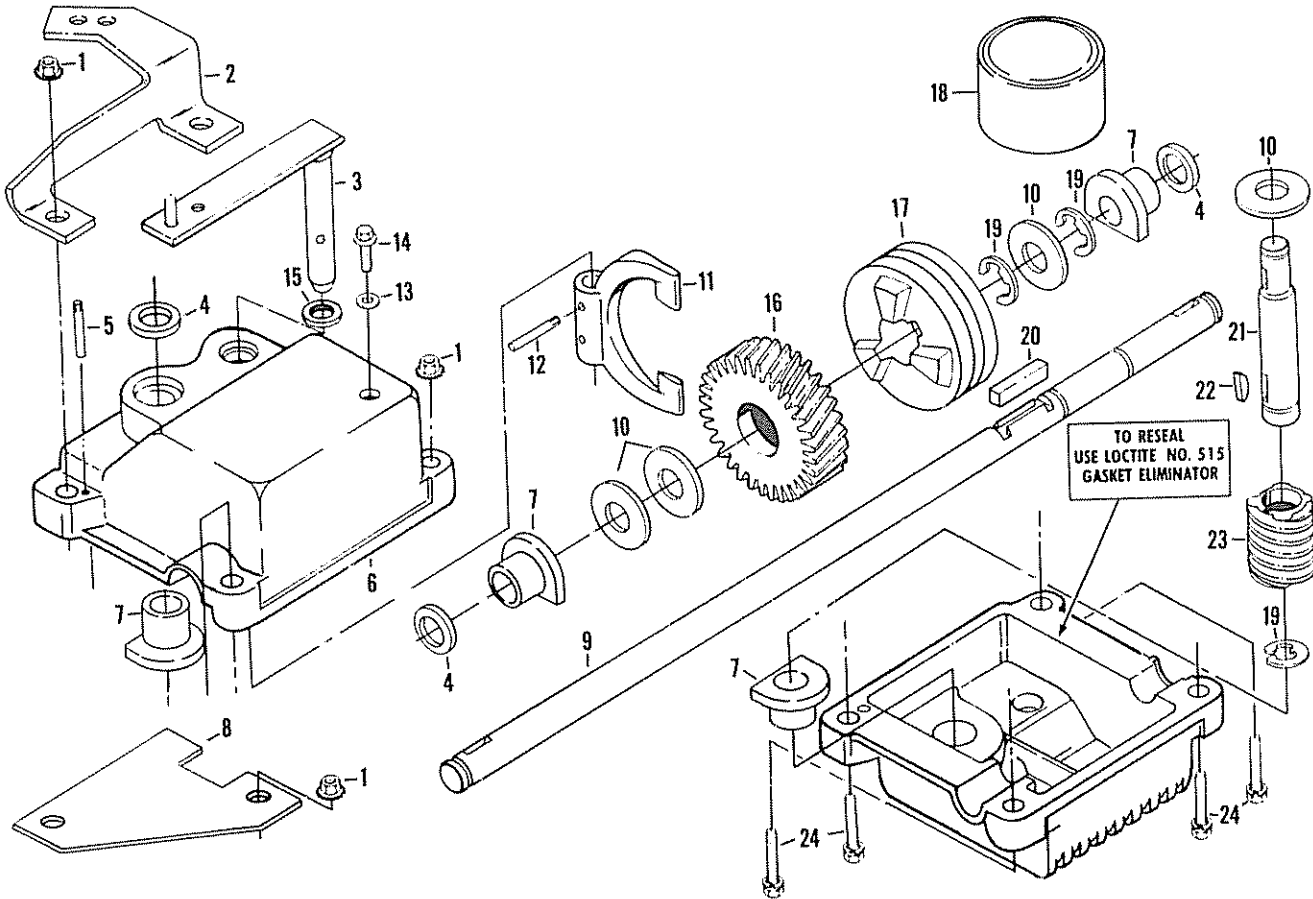
When setting-up your handle from storage position the lower handle will automatically lock into mowing position.

LAWN MOWER CARE RECORD

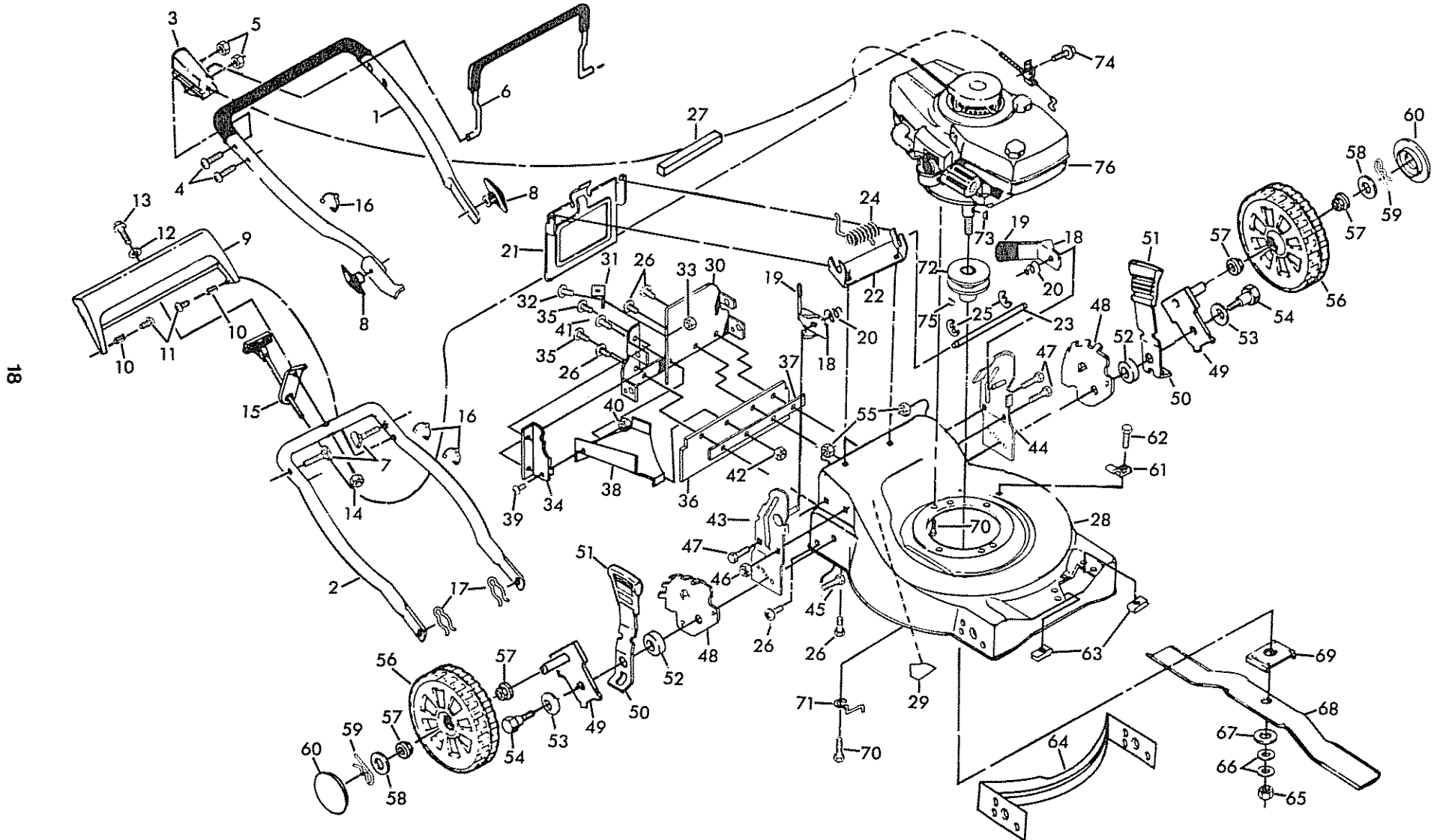
NOTE: Change Engine Oil after the first two (2) hours of use, and then every 25 hours of use.

	DATE	DATE	DATE
Changed Oil: 10W30 or SAE 30			
Replaced spark plug:			
Replaced air filter:			
Replaced blade:			
Tuned-up:			

GEAR CASE ASSEMBLY PART NO. 85314



Ref. No.	Part No.	Part Name	Ref. No.	Part No.	Part Name
1	53838	Locknut 1/4-20	14	81377	Hex Washer Head Machine Screw 3/8-16 x 3/8
2	85178	Adjusting Bracket	15	81337	Seal
3	83488	Shifter Assembly	16	83659	Helical Gear
4	57072	Seal	17	75424	Jaw Clutch
5	57388	Driv-Lok Pin 1/8 x 1/2	18	58354	Grease (1lb. can - Shell Darina AX)
6	79899	Gear Case Halves (Incl. Upper and Lower Halves)	19	STD581050	E-Ring 1/2 Shaft
7	77881	Bearing	20	83684	Square Key
8	77039	Spring Bracket	21	83720	Worm Shaft
9	79946	Drive Shaft Kit	22	65692	Woodruff Key #3
10	57079	Thrust Washer	23	83680	Worm
11	75144	Yoke-Clutch	24	STD552512	Hex Head Machine Screw 1/4-20 x 1 1/4
12	53912	Drive-Lok Pin 1/8 x 5/8			
13	81203	Washer - Non-Metallic			



* BLADE NUT TIGHTENING TORQUE 50-65 FT. LBS., -

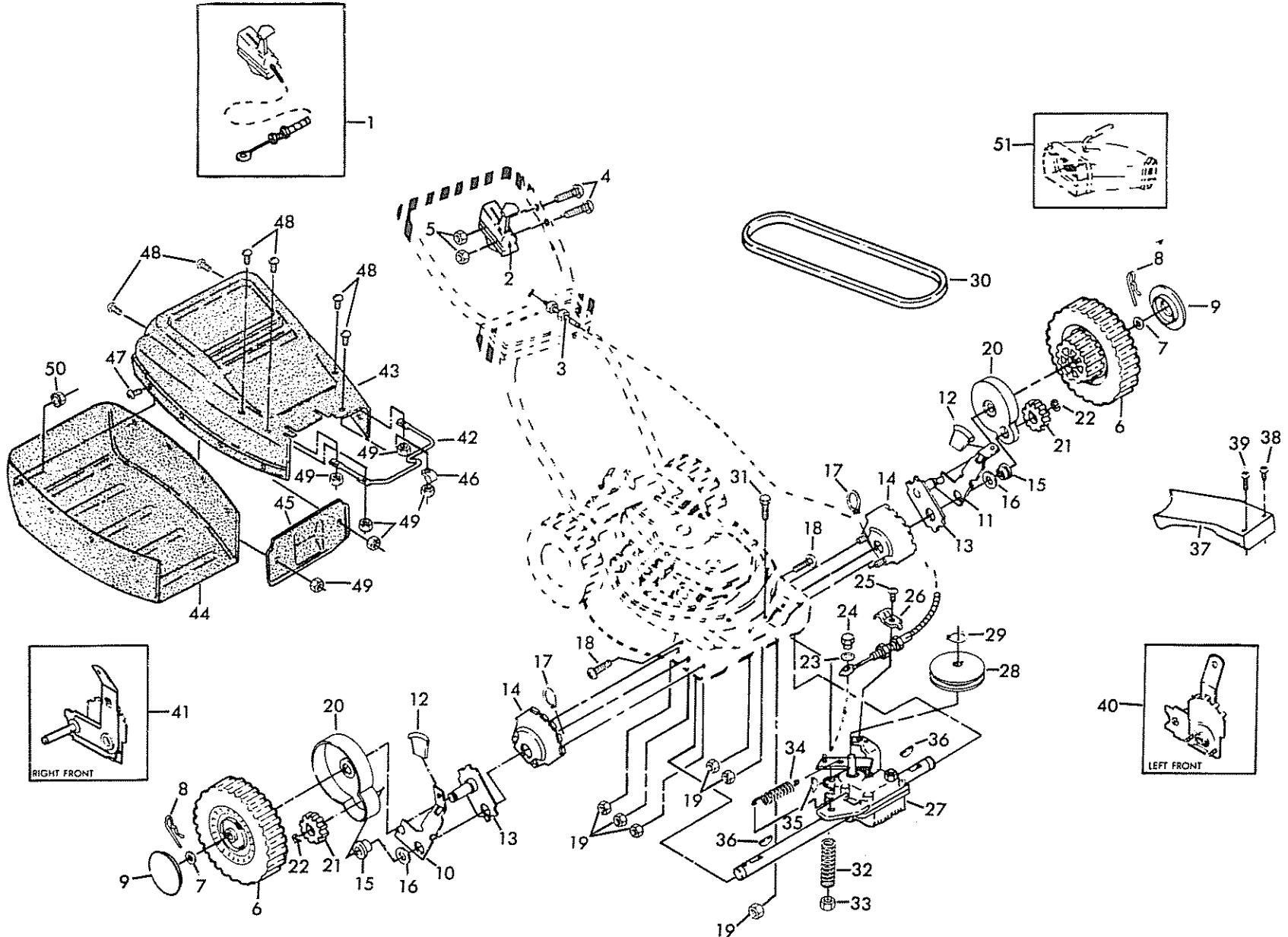
Ref. No.	Part No.	Part Name	Ref. No.	Part No.	Part Name
1	85755	Upper Handle	20	62363	Spring-Lever
2	84683	Lower Handle	21	77524	Rear Door
3	85523	Zone Control	22	81027	Hinge Bracket
4	86261	Machine Screw 1/4-20 x 2 1/8	23	77526	Hinge Rod
5	53490	Locknut 1/4-20	24	77527	Spring
6	85548	Control Bar	25	STD581025	E-Ring
7	STD523117	Handle Bolt	26	STD512505	Hex Head Tapping Screw 1/4-20 x 1/2
8	63688	Handle Knob	27	83935	Door Seal
9	85424	Trim Plate	28	79997	Housing Assembly (Incl. Ref. #26, 29, 30, 31, 32, 33, 34, 35, 64)
10	85529	Nylon Bushing	29	85463	Danger Decal
11	85825	Self-Tapping Screw 10-24 x 1	30	85375	Back Plate
12	STD551025	Washer	31	85877	Back Plate Bracket
13	85436	Hex Washer Head Machine Screw 1/4-20 x 1 1/2	32	STD512505	Hex Head Machine Screw 1/4-20 x 1/2
14	53490	Locknut 1/4-20	33	63601	Locknut 1/4-20
15	34372A	Bracket Rope Guide (See Engine Parts List)(Source 143)	34	77514	Side Baffle
16	85827	Control Cable Clip	35	81283	Hex Self-Tapping Screw 10-24 x 3/8
17	51793	Hairpin Cotter	36	77521	Rear Skirt
18	81281	Handle Lever	37	85546	Backing Strip
19	85535	Handle Knob	38	85354	Discharge Baffle
			39	57917	Hex Head Machine Screw 1/4-20 x 3/4
			40	63601	Locknut 1/4-20

Ref. No.	Part No.	Part Name	Ref. No.	Part No.	Part Name
41	STD511005	Truss Head Screw 10-24 x 1/2	61	70385	Cable Clip
42	69180	Locknut 10-24	62	81276	Self Tapping Screw 10-24 x 1/2
43	86157	Handle Bracket Assembly (Right)	63	75449	Speed Nut 10-24
44	86156	Handle Bracket Assembly (Left)	64	85283	Front Baffle
45	STD533107	Carriage Bolt 5/16-18 x 5/8	65	51433	*Locknut 5/8-18 (Special)
46	63124	Locknut 5/16-18	66	54867	Washer - Spring
47	55187	Thread Cutting Screw 5/16-18 x 3/4	67	69385	Washer
48	69478	Wheel Adjusting Bracket (R.R.)(L.R.)	68	69334	Blade
49	86107	Axle Arm Assembly	69	84918	Blade Flange
50	84888	Selector Spring	70	68205	Hex Head Machine Screw 5/16-18 x 7/8 (Special)
51	77865	Selector Knob	71	83629	Belt Snubber
52	84920	Spacer	72	85543	Engine Pulley
53	86114	Spring Washer	73	STD580019	Woodruff Key #6
54	84921	Shoulder Bolt	74	83813	Hex Head Screw 10-32 x 5/16
55	74400	Locknut 3/8-16	75	STD502502	Set Screw 1/4-20 x 5/16
56	86455	Wheel Assembly	76	86098	Engine Assembly 143.364022 (See pages 24 thru 26)
57	82854	Bearing		86301	Owners Manual - Parts List
58	52160	Washer			
59	55015	Retainer Clip			
60	85313	Hub Cap			

LAWN MOWER CARE RECORD

NOTE: Change Engine Oil after the first two (2) hours of use, and then every 25 hours of use.

	DATE	DATE	DATE
Changed Oil: 10W30 or SAE 30			
Replaced spark plug:			
Replaced air filter:			
Replaced blade:			
Tuned-up:			



23

Ref. No.	Part No.	Part Name	Ref. No.	Part No.	Part Name
1	85759	Drive Control (Incl. Ref. # 2,3)	29	74976	Retaining Ring
2	79875	Drive Head Kit	30	83691	V-Belt 3L
3	79980	Drive Control Cable Kit	31	54388	Hex Head Bolt 1/4-20 x 2 3/4
4	86261	Machine Screw 1/4-20 x 2 1/8	32	83632	Spring
5	53490	Locknut 1/4-20	33	68038	Locknut 1/4-20
6	84886	Wheel & Tire Assembly	34	75192	Spring
7	52160	Washer	35	STD580009	Woodruff Key #213
8	55015	Retainer Clip	36	STD580014	Woodruff Key #3
9	77400	Hub Cap	37	83590	Drive Cover
10	77862	Selector Spring (R.F.)	38	69411	Pan Head Machine Screw 10-24 x 1 3/4
11	77861	Selector Spring (L.F.)	39	75725	Pan Head Machine Screw 10-24 x 2 3/4
12	77865	Selector Knob	40	79994	Wheel Adjuster Assembly (Left) (Incl. Ref. #11, 13, 14, 17, 18, 19)
13	77858	Axle Arm Assembly	41	79995	Wheel Adjuster Assembly (Right) (Incl. Ref. # 10, 13, 14, 17, 18, 19)
14	86280	Wheel Adjuster Bracket	42	84806	Catcher Frame
15	86273	Spacer Bearing	43	85428	Catcher Top
16	86274	Spring Washer	44	84164	Catcher Bottom
17	STD582087	Retaining Ring	45	83548	Catcher Baffle
18	61528	Flat Head Machine Screw 1/4-20 x 3/4	46	83553	Clamp
19	63601	Locknut 1/4-20	47	12024	Truss Head Machine Screw 1/4-20 x 5/8
20	76401	Dust Cover	48	83555	Truss Head Machine Screw 10-24 x 5/8
21	74507	Pinion	49	69180	Locknut 10-24
22	STD581050	E-Ring	50	53838	Keps Nut 1/4-20
23	81612	Lockwasher	51	85878	Clipping Deflector Accessory (Not Included w/Mower)
24	81220	Shoulder Nut			
25	STD601003	Self-Tapping Screw 10-24 x 3/8			
26	83700	Cable Clamp			
27	79949	Gear Case Replacement Kit			
28	83681	Drive Pulley			

80463 Complete Grass Catcher

High Wheel Kit - See Model 917.802211

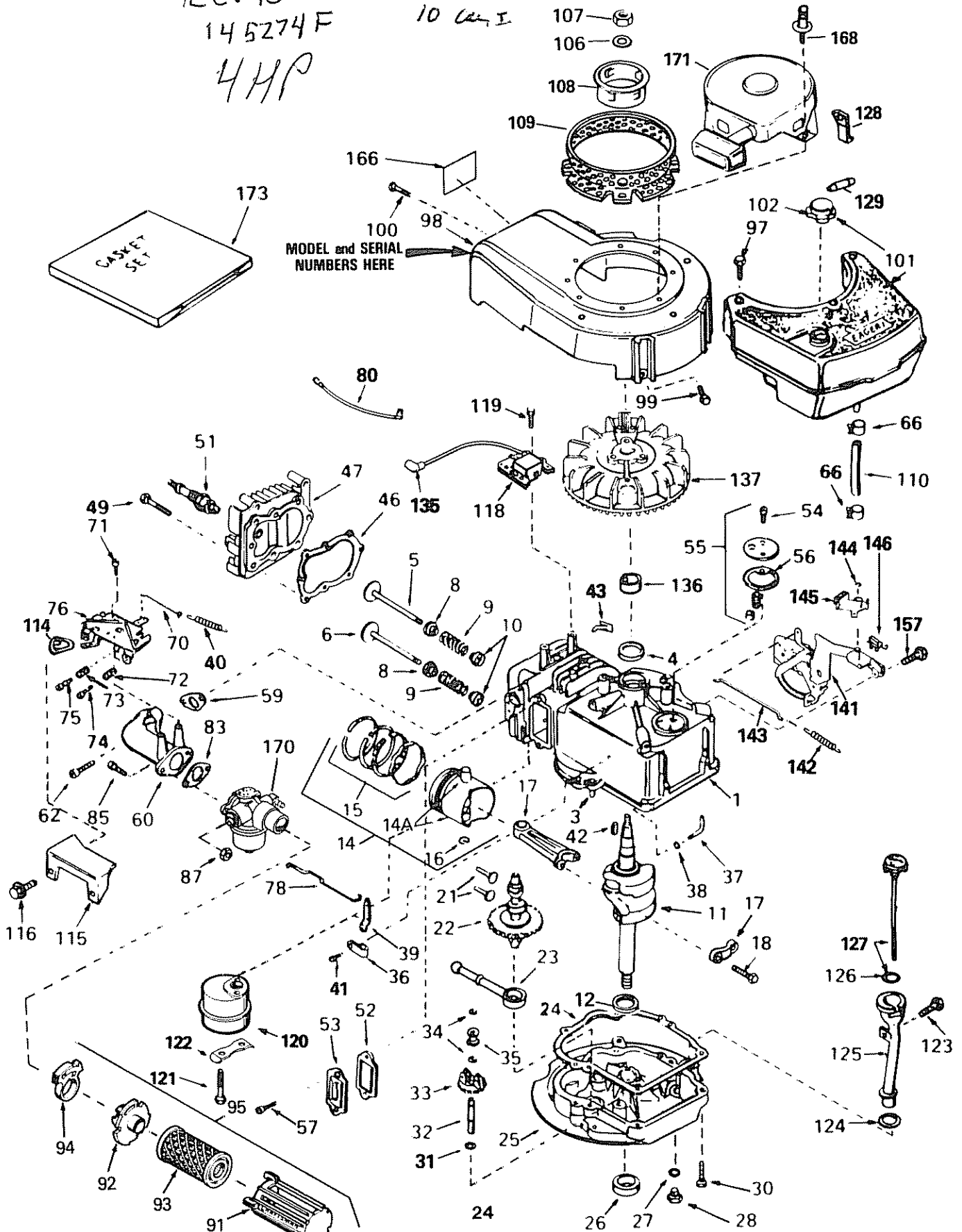
CRAFTSMAN 4-CYCLE ENGINE

EAGER-1

MODEL NUMBER: 143.364022

ECV 100
145274 F
4HP

164 CC
10 C.I.



EAGER-1

CRAFTSMAN 4-CYCLE ENGINE

MODEL NUMBER: 143.364022

Ref. No.	Part No.	Part Name	Ref. No.	Part No.	Part Name
1	35180	Cylinder Assy. (Incl. Nos. 3 & 4)	70	34337	Link, Governor spring
3	26727	Pin, Dowel	71	30200	Screw, Hex washer hd. Sems, self-tapping, 10-24 x 9/16
4	32600	Seal, Oil			
5	29314B	Valve, Intake (Std.) (Incl. No. 10)	72	33802	Spring, Compression
5	29315C	Valve, Intake (1/32" oversize) (Incl. No. 10)	73	31342	Spring, Compression
			74	650777	Screw, Fil. hd., 6-32 x 17/32
6	29313C	Valve, Exhaust (Std.) (Incl. No. 10)	75	650549	Screw, Fil. hd., 5-40 x 7/16
6	29315C	Valve, Exhaust (1/32" oversize) (Incl. No. 10)	76	33205A	Control Assy., Speed (Incl. Nos. 72, 73, 74 & 75)
8	31671	Cap, Upper valve spring	78	34336	Link, Governor-to-throttle
9	31672	Spring, Valve	80	34961	Wire, Ground
10	31673	Cap, Lower valve spring	83	*26756	Gasket, Carburetor
11	35175	Crankshaft	85	6201	Screw, Hex hd., 1/4-28 x 7/8
12	32323	Washer, Thrust	87	29752	Nut & Lockwasher, 1/4-28
14	34851	Piston, Pin & Ring Assy. (Std.) (Incl. Nos. 14A, 15 & 16)	91	35085	Cover, Air cleaner
			92	35067	Collar, Air cleaner
14	34852	Piston, Pin & Ring Assy. (.010 oversize) (Incl. Nos. 14A, 15 & 16)	93	35066	Filter, Air cleaner
			94	35068	Clamp, Air cleaner
14	34853	Piston, Pin & Ring Assy. (.020 oversize) (Incl. Nos. 14A, 15 & 16)	95	3331	Air Cleaner Kit (Incl. Nos. 91 thru 94)
			97	28763	Screw, Hex washer hd. shake-proof, 10-32 x 19/32
14A	32603B	Piston & Pin Assy. (Std.) (Incl. No. 16)			
14A	32604B	Piston & Pin Assy. (.010 oversize) (Incl. No. 16)	98	35178	Housing, Blower
			99	650831	Screw, Hex washer hd. Powerlok thread, 1/4-20 x 1/2
14A	32605B	Piston & Pin Assy. (.020 oversize) (Incl. No. 16)	100	30200	Screw, Hex washer hd. Sems, self-tapping, 10-24 x 9/16
15	34854	Ring Set, Piston (Std.)			
15	34855	Ring Set, Piston (.010 oversize)	101	34369A	Tank Assy., Fuel (Incl. No. 102)
15	34856	Ring Set, Piston (.020 oversize)	102	35355	Cap, Fuel tank
16	20381	Ring, Piston pin retaining	106	650815	Washer, Belleville
17	30963B	Rod Assy., Connecting (Incl. No. 18)	107	650816	Nut, Flywheel
18	32610A	Screw, Connecting rod	108	35000	Hub, Starter
21	27241	Lifter, Valve	109	35354	Screen, Starter
22	33553	Camshaft (Mech. Compression Release)	110	30705	Line, Fuel
			114	32410	Knob, Control
23	29914	Pump Assy., Oil	115	35176	Cover, Control
24	*35261	Gasket, Mounting flange	116	650807	Screw, Hex washer hd. shoulder, 10-32 x 7/16
25	34311B	Flange Assy., Mounting (Incl. Nos. 26, 27, 28 & 32)	118	34443A	Solid State Assy.
			119	650814	Screw, Hex hd. Sems, 10-24 x 1
26	27897	Seal, Oil	120	35172	Muffler
27	*28833	Gasket, Oil drain plug	121	650869	Screw, Hex hd., 1/4-20 x 2-3/4
28	30572	Plug, Oil drain	122	35171	Plate, Lock
30	650488	Screw, Hex hd. Sems, 1/4-20 x 1-1/4	123	650562	Screw, Hex washer hd. shake-proof, 10-32 x 1/2
31	30590A	Washer, Flat			
32	30574	Shaft, Mechanical governor			
33	30591	Gear Assy., Governor (Incl. No. 31)	124	34265	Gasket, Fill tube
34	29193	Ring, Retaining	125	34264	Tube Assy., Oil filler
35	30588A	Spool, Governor	126	33590	"O" Ring
36	31335	Clamp, Governor lever	127	34281	Dipstick, Oil (Incl. No. 126)
37	30589	Rod, Governor (Incl. No. 38)	128	35168	Bracket Assy., Rope guide
38	28277	Washer, Flat	129	34985	Retainer, Starter rope
39	31383A	Lever, Governor	135	610118	Cover, Spark plug
40	31361	Spring, Governor	136	34080	Spacer, Flywheel key
41	650548	Screw, Hex washer hd., 8-32 x 5/16	137	611046A	Flywheel
42	611004	Key, Flywheel (Solid State)	141	35015	Bracket Assy., Brake
43	29443	Clip, Spring	142	34965	Spring, Extension
46	*33015	Gasket, Cylinder head	143	34966	Link, Control
47	34342	Head, Cylinder	144	32309	Ring, Retaining
49	6021A	Screw, Hex flange hd., 5/16-18 x 1-1/2	145	34968	Lever, Brake
51	35078	Plug, Spark (Autolite 458, Champion J-19LM or equivalent)	146	610973	Terminal Assy.
			157	650839	Screw, Hex hd. self tap Sems, 1/4-20 x 7/16
52	*27234	Gasket, Valve spring cover			
53	32755	Cover, Valve spring box	166	34993	Decal, Instruction
54	30200	Screw, Hex washer hd. Sems, self-tapping, 10-24 x 9/16	168		Rivet, Pop (3/16" Dia.) (Can be purchased locally.)
55	34215	Breather Assy. (Incl. Nos. 54 & 56)	170	632389	Carburetor (Incl. No. 83)
56	*32760	Gasket, Breather	171	590420A	Starter Assy., Rewind
57	650128	Screw, Fil. hd. Sems, 10-24 x 1/2	173	33236B	Gasket Set (Incl. items marked *)
59	*34690	Gasket, Intake pipe			
60	31384A	Pipe, Intake (Incl. No. 59)			
62	650451	Screw, Hex hd. Sems, 1/4-20 x 1			
66	26460	Clamp, Fuel line			

*Indicates Parts Included in Gasket Set, Ref. No. 173.

CARBURETOR NO. 632389

Ref. No.	Part No.	Part Name
	632389	Carburetor
1	631615	Shaft & Lever Assy., Throttle
3	631616	Shutter, Throttle
4	650506	Screw, Throttle shutter
5	631767	Spring, Throttle return
6	631971	Seal, Dust
7	631184	Washer, Flat
9	632047	Primer Assy.
11	631027	Plug, Welch
12	631021	Inlet Needle, Seat & Clip Assy. (Incl. No. 13)
13	631022	Clip, Inlet needle
14	632019	Float, Carburetor
15	631024	Shaft, Float
16	631700	Bowl, Float
21	631334	Gasket, Bowl-to-body
22	631935	Nut, Float bowl
25	631028	Gasket, Bowl-to-body
26	631775	Fitting, Fuel inlet

REWIND STARTER NO. 590420A

Ref. No.	Part No.	Part Name
	590420A	Starter, Rewind
1	590409A	Screw, Retainer
2	590410	Retainer, R.H.
3	590411	Spring, Brake
4	590148	Dog, Starter
5	590412	Spring, R.H. dog
6	590413A	Pulley
7	590414	Spring & Keeper Assy.
8	590536	Housing Assy., Starter (Incl. No. 1)
9	590535	Rope, Starter
10	590387	Handle Assy., Starter
11	590459	Pin, Centering
12	34985	Stop & Staple, Rope (Not used on all models)

TROUBLE SHOOTING POINTS

PROBLEM	CAUSE	CORRECTION
Does not Start	<ol style="list-style-type: none"> 1. Out of gasoline. 2. "Stale Gasoline " 3. Spark plug wire is disconnected from the spark plug. 4. Bad spark plug. 5. Water in gasoline. 6. Loose blade or broken blade flange. 7. Zone/Engine control in released position. 8. Zone/Engine control defective. 	<ol style="list-style-type: none"> 1. Fill gasoline tank. 2. Drain gas tank and refill with fresh gasoline. 3. Connect wire to spark plug 4. Replace spark plug. 5. Drain tank and refill with fresh, clean gasoline 6. Tighten blade nut and/or replace blade flange 7. Depress control bar 8. Replace Zone/Engine control
Loss of Power	<ol style="list-style-type: none"> 1. Rear of mower housing/ blade dragging in heavy grass. 2. Cutting too much grass. 3. Dirty air filter. 4. Build-up of grass, leaves, and trash. 	<ol style="list-style-type: none"> 1. Raise rear of mower housing one (1) setting 2. Set in "Higher Cut" position. 3. Replace air filter. 4. Disconnect spark plug wire, and clean underside of mower housing.
Poor cut- Uneven	<ol style="list-style-type: none"> 1. Worn or bent blade. 2. Wheel heights uneven. 	<ol style="list-style-type: none"> 1. Replace blade 2. Set all wheels at same height
Too much Vibration	<ol style="list-style-type: none"> 1. Worn or bent blade. 2. Loose blade. 	<ol style="list-style-type: none"> 1. Replace blade 2. Tighten blade nut.
Starter Rope Hard to Pull	<ol style="list-style-type: none"> 1. Flywheel brake is on when control bar is released. 	<ol style="list-style-type: none"> 1. Depress control bar, before pulling on starter rope.
Catcher not Filling Completely	<ol style="list-style-type: none"> 1. Cutting height too low. 2. Lift on blade worn off. 3. Catcher bag dirty, poor air venting. 	<ol style="list-style-type: none"> 1. Raise cutting height 2. Replace blade. 3. Clean/replace catcher bag.

SEARS

SERVICE is at YOUR SERVICE

HOW TO ORDER REPAIR PARTS

Each LAWN MOWER has its own MODEL NUMBER.
Each ENGINE has its own MODEL NUMBER.

The MODEL NUMBER for the lawn mower will be found on a plate attached to your lawn mower at the REAR OF THE HOUSING

The MODEL NUMBER for the engine will be found on the BLOWER HOUSING of the engine adjacent to the spark plug

Always mention these MODEL NUMBERS when requesting service or repair parts for your LAWN MOWER

All parts listed herein may be ordered through SEARS, ROEBUCK AND CO SERVICE CENTERS and most Retail Stores

If parts you need are not stocked locally your order will be electronically transmitted to a SEARS PARTS DISTRIBUTION CENTER for expedited handling.

OWNER'S MANUAL

MODEL NO. **917.372301**

Serial
Number _____

Model and Serial Number
may be found on the
number plate on the rear of
the mower housing.

You should record both
Model and Serial Number
and keep in a safe place
for future reference.

WHEN ORDERING REPAIR PARTS, ALWAYS GIVE THE FOLLOWING INFORMATION:

1. The PART NUMBER
2. The PART DESCRIPTION
3. The MODEL NUMBER - **917.372301**
4. The NAME OF THE PRODUCT - **CRAFTSMAN 22" POWER-PROPELLED REAR BAGGER LAWN MOWER**
5. The ENGINE MODEL NUMBER - **143.364022**

Your Sears merchandise has added value when you consider that Sears has service units nationwide staffed with Sears trained technicians...professional technicians specifically trained on Sears products, having the parts, tools and the equipment to insure that we meet our pledge to you, we service what we sell.

SOLD BY SEARS, ROEBUCK AND CO., CHICAGO, IL 60684 U.S.A.

Free Manuals Download Website

<http://myh66.com>

<http://usermanuals.us>

<http://www.somanuals.com>

<http://www.4manuals.cc>

<http://www.manual-lib.com>

<http://www.404manual.com>

<http://www.luxmanual.com>

<http://aubethermostatmanual.com>

Golf course search by state

<http://golfingnear.com>

Email search by domain

<http://emailbydomain.com>

Auto manuals search

<http://auto.somanuals.com>

TV manuals search

<http://tv.somanuals.com>