

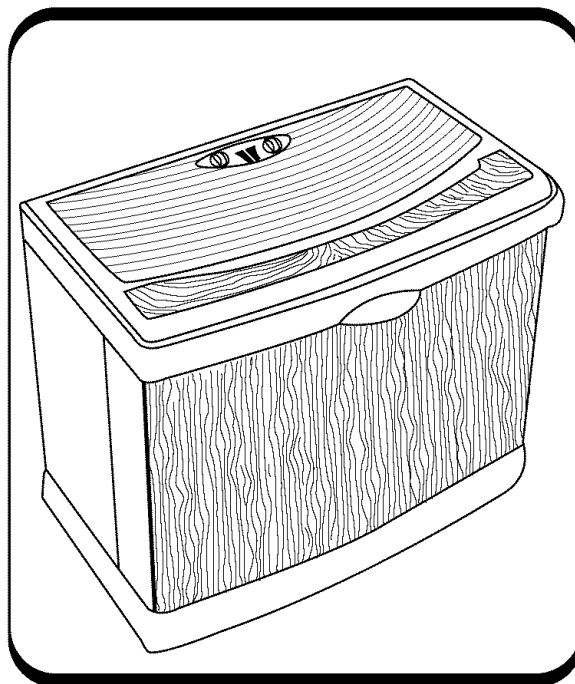
Save this manual
for future reference

SEARS

**owner's
manual**

Stock No.
42-14417

Model No.
758.144170



Kenmore[®]

**QUIET COMFORT
WHOLE HOUSE
HUMIDIFIER
13 Gallon Output**

**Innovative Twin Fan
Technology**

- **Operating Instructions**
- **Parts List**

**FOR YOUR
SAFETY:**

**READ
ALL INSTRUCTIONS
CAREFULLY**

Sears, Roebuck and Co., Hoffman Estates, IL 60179 U.S.A.

Part No. SP6424

Printed in Canada

FULL ONE YEAR WARRANTY ON HUMIDIFIER

If within one (1) year from the date of purchase, this humidifier fails due to a defect in material or workmanship, Sears will repair it, free of charge. If within two (2) years from the date of purchase, the motor fails due to defect in material or workmanship, Sears will repair it free of charge.

This warranty service is available by simply returning the humidifier to the nearest Sears Service Center/Department throughout the United States.

This warranty applies only while this product is used in the United States

This warranty gives you specific legal rights, and you may also have other rights which vary from state to state.

Sears, Roebuck and Co., D/817 WA, Hoffman Estates, IL 60179

GENERAL SAFETY INSTRUCTIONS

Safety Signal Words

DANGER: means if the safety information is not followed, someone **will** be seriously injured or killed.

WARNING: means if the safety information is not followed, someone **could** be seriously injured or killed.

CAUTION: means if the safety information is not followed, someone **may** be seriously injured or killed.

1. To reduce the risk of fire or shock hazard, plug humidifier directly into a 120V, A.C. electrical outlet. Do not use extension cords.
2. Keep the electric cord out of traffic areas. To reduce the risk of fire hazard, never put the electric cord under rugs, near heat registers, radiators, stoves or heaters.
3. Always unplug the humidifier before moving it, before cleaning, or whenever the humidifier is not in service.

4. Keep the humidifier clean.
5. Do not put foreign objects inside the humidifier.
6. Never use your humidifier while any part is missing or damaged in any manner.
7. To reduce the risk of electrical hazard or damage to humidifier, do not tilt, jolt or tip humidifier while unit is running.
8. To reduce the risk of damage to humidifier, unplug humidifier, when water bottles are empty or when the humidifier is not in use.
9. To reduce the risk of accidental electrical shock, do not touch the cord or controls with wet hands.
10. Note the warning label shown below.

WARNING: To reduce risk of fire, electric shock, or injury always unplug before filling, servicing or cleaning.

Table of Contents

Warranty Information	2	Water Fill	5-6
General Safety Instructions	2	Operating Humidifier Controls	7
To Save A Service Call	2	Manual Dryout	7
Know Your Humidifier	3	Using Your Humidifier	8
Humidifier Operations	4	Operating Tips for Best Performance	8
Assembly	4	Replacement and Care of Filters	9-10
Location Instructions	4-5	Cleaning Your Humidifier	11-12
Electrical Hook-Up	5	Troubleshooting	13
		Repair Parts	14-15

To Save a Service Call

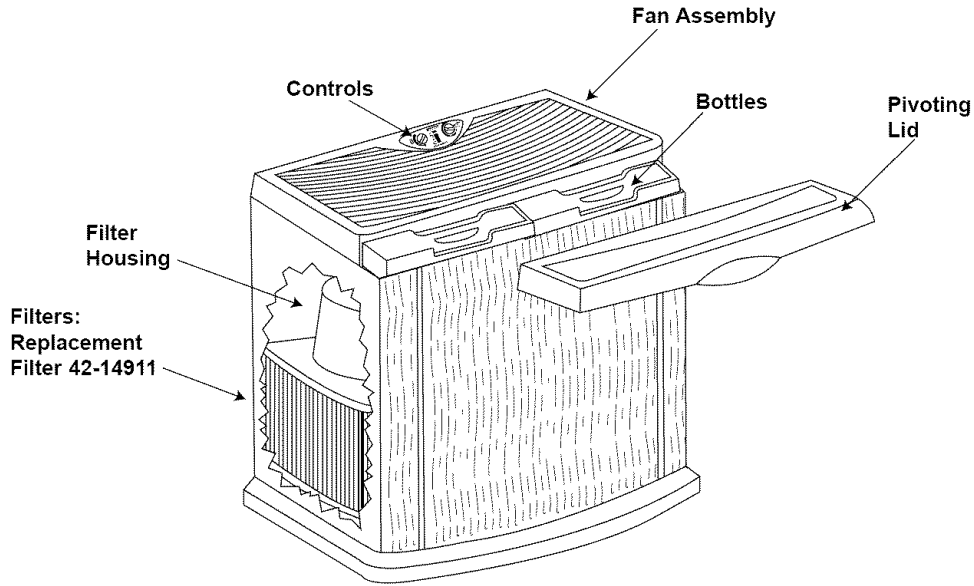
Check the following if your humidifier will not operate.

1. Is power cord attached to outlet?
2. Is there electrical power to outlet?

3. Is airflow control in operating position?
4. Is humidity control set high enough?
5. Is the cabinet sitting on a level surface?

Know Your Humidifier

Control Panel Cover & Pivoting Lid Removed for Clarity



Description	42-14417
Gallon Output/24 Hrs.	13
Capacity of Bottles	2-3/8 Gallons Each
Sq. Ft. Coverage	*2700
Fan Speeds	3
Filters	Set of 4 (42-14911)
Independent Bottle Gauges	Yes
Fill Indicator	Yes (Independent Bottle)
Automatic Shutoff	Yes
Automatic Humidistat	Yes
Controls	Rotary
CUL Listed	Yes
Volts	120 A.C.
Hertz	60
Amps	2.88
Watts	165

* Based on an area with average insulation and an 8 foot ceiling height.

Humidifier Operations

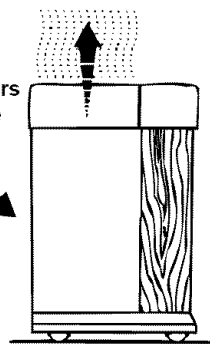
Your new Sears humidifier is designed to satisfy home humidity requirements through the principle of evaporation of water in the air.

After water is added to the bottle, the filters begin to soak up the water and become totally saturated in approximately 30 minutes. Air is drawn in from the rear of the humidifier and through the filters by means of circulation fans. As air passes through the filters, moisture is absorbed into the air and then released in the form of vapor. No water droplets will enter the home. All evaporation into the air takes place in the humidifier, which means that the residue left by evaporating water is not passed into the home, but remains in the filter.

CAUTION: Use only 42-14900 EPA Registered Bacteriostat available from SEARS Retail store. Under no circumstances should you use water treatment products designed for Roto belt or Ultrasonic humidifiers.

Humidified Air is
Then Released
Through the Top

Dry Air Enters
Through the
Rear



CAUTION: To reduce the risk of injury, fire or damage to humidifier, use only cleaners specifically recommended for humidifiers. Never use flammable, combustible or poisonous materials to clean your humidifier. To reduce the risk of scalds and damage to humidifier, never put hot water in humidifier.

Assembly

Your new Sears Kenmore humidifier is completely assembled for you to use. Remove the bag pack containing two plastic caster pads from top of humidifier and retain for future use if required. See step 1 below for instructions. Remove the packaging materi-

al from inside your humidifier and follow the instructions of this owner's manual for proper usage. The packaging material is located under the fan assembly. Remove the packaging material and discard.

Location Instructions

WARNING: For your own safety, do not use humidifier if any parts are damaged or missing.

Step 1

Place humidifier on a flat level surface in an area of your house where humidity is needed most, or an area which would likely result in moist air being circulated throughout the house, such as near a cold air return.

Placing the unit level is very important if the humidifier is located on carpeting.

NOTE: The 13 gallon humidifier contains water bottles. The weight of the bottles in

the front of the cabinet may cause the front casters to sink deeper into the carpet. If this happens, the water level will be higher towards the front of the humidifier, and lower towards the back. The water level float (located at the rear of the cabinet) may not sense the water so the fill light will be on and the unit will not energize. If this happens, the unit will need to be leveled in order for the humidifier to be energized. To level the humidifier when located on carpet place the included caster pads under the front two casters of the humidifier only. See diagram page 5.

Location Instructions (continued)

NOTE: Due to release of cool, moist air from humidifier, it is best to direct air away from home thermostat and hot air registers. It is best to position humidifier next to an inside wall. Hot air registers and cold air from outside walls can affect the efficiencies of the controls. Unit should not be placed where warm air from a hot air register blows directly on unit.

Moist air (humidity) produced will disperse into the whole house, but area closest to the unit will have the highest humidity. If the unit is positioned close to a window, condensation may form on the window pane. If this is not appropriate the unit should be repositioned in another location.

Electrical Hook-Up

Locate nearest 120V A.C. wall socket in the location desired, preferably on inside wall. Plug in the electrical cord.

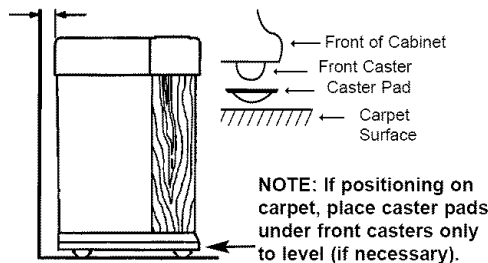
WARNING: To reduce the risk of fire or shock hazard, humidifier should be plugged into a 120V A.C. outlet. Do not use extension cords

To reduce the risk of electrical shock, this humidifier has a polarized plug (one blade is wider than the other). This plug will fit in a polarized outlet only one way. If the plug does not fit fully in the outlet, reverse plug.

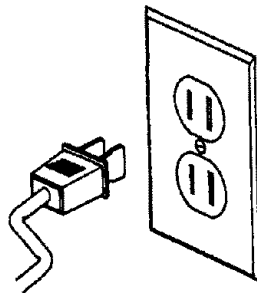
Step 2

The humidifier should be positioned with the back (cord exit side), at least 2 inches away from the wall. Air needs to enter through the louvres in the rear panel in order for the humidifier to operate at peak efficiency.

At Least 2" From Wall



If it still does not fit, contact a qualified electrician to install the proper outlet. Do not change the plug in any way.



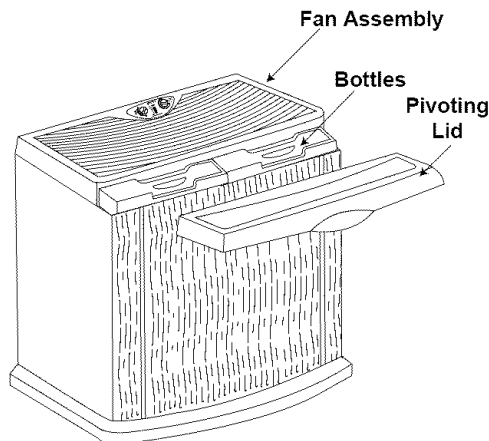
Water Fill

WARNING: To reduce the risk of shock, always unplug humidifier before cleaning or servicing.

WARNING: To reduce the risk of fire or shock hazard, do not pour or spill water into control or motor area. Close the control cover. If controls get wet, let them dry completely and have unit checked by an authorized service personnel before plugging in.

This humidifier is designed for use with the two water bottles that are located under the pivoting lid.

Open the pivoting lid of the humidifier. Remove the water bottles by lifting them straight up and out of the cabinet.



Water Fill (continued)

Notice the water bottles are designed as right and left hand units. Position them in the correct location so the humidifier can function properly. The water bottles should rest in the front of the cabinet. Each "E-Z-Fill Side-Cap" must be facing the rear of the unit.

Each water bottle is designed with an "E-Z-Fill Side-Cap" that is easily removable. Remove the "E-Z-Fill Side-Cap" on the side of the water bottle by twisting counterclockwise.

Place the opening of the water bottle under a water faucet (the bottle should fit under a four-inch clearance faucet). Fill with recommended mixture of cold water and Sears Bacteriostat #42-14900 (if necessary) only. Solid debris could make the valve leak.

Install the "E-Z-Fill Side-Cap" by twisting clockwise. Hand tighten only.

Check for possible leaks by performing the following:

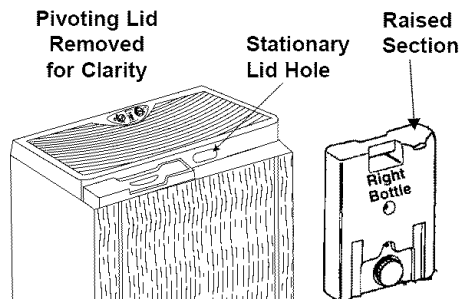
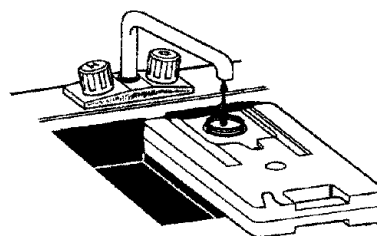
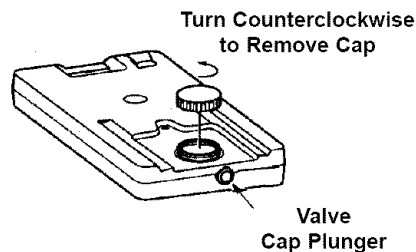
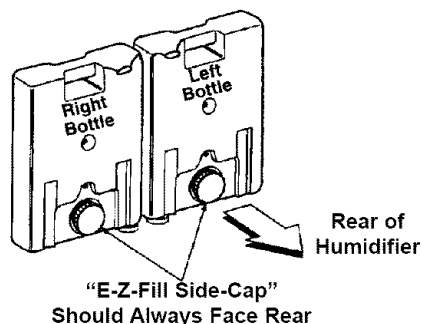
1. Grasp bottle handle and hold the bottle upright over a sink.
2. Press up on valve cap plunger for about one second to let out a little water.
3. Release the plunger.
4. Listen for air bubbles. Look for leaks around the "E-Z-Fill Side-Cap".
5. If you hear air bubbles or see leaks, retighten the "E-Z-Fill Side-Cap" and repeat steps 1-4.

Wipe off excess water from the bottle.

Position the water bottle back into the unit by grasping the water bottle handle and lower it into the cabinet until the bottle sits on pads at bottom of cabinet. The "E-Z-Fill Side-Cap" must be facing the rear of the cabinet. When positioned properly, the plunger will open and water will flow into the cabinet. The water level will automatically remain at approximately 1/2" until the bottles are empty.

Allow the filters to saturate for 30 minutes before operation.

Note: Ensure that the raised section of the water bottle falls into the hole in stationary lid in order for the bottle gauges to function properly.



Operating Humidifier Controls

The operating controls of your Kenmore Quiet Comfort whole house humidifier are located on the top center of the humidifier. The controls are found under the smoked control cover, located between the air circulating fans.

Lift the control cover by placing your finger in the round cutout and lifting. The cover will stay open. Now you can clearly see the control area. Familiarize yourself with the controls and reference the diagram of the control area for the correct naming used in this manual.

To Operate the Controls

Humidity Control:

Adjust the amount of humidity depending on your needs. The humidifier will turn on and off as required to maintain level of humidity selected. A medium setting is recommended, but there are times when low or high amount of humidity may be preferred. For constant operation of humidifier, rotate humidity knob all the way clockwise. This allows for the maximum amount of humidity to be evaporated into the air continuously.

IMPORTANT: Water damage may result if condensation starts to form on windows or walls. Humidity Control setting should be lowered until condensation no longer forms.

Speed Control

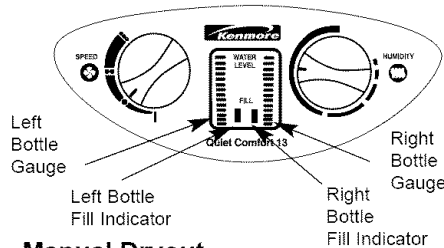
The unit is adjusted from off "I" to high "•••" with a rotary speed control. The higher the air flow speed, the more water is evaporated and released into the air. Low speed "•" is the quietest and is provided for conditions that may not require as high an evaporation rate.

VIS-FILL Water Bottle Gauges and Fill Lights

This humidifier is equipped with independent (left and right) water level bottle gauges. When the unit is energized the center area of the control panel containing the gauges and fill indicators will illuminate red to depict the operation mode. The right bottle as viewed from the front of the humidifier will always empty first. As it empties the

number of red bars will decrease. When it is totally empty the Fill Indicator immediately beside the bars will illuminate. NOTE: The humidifier will not shut off at this stage.

Once the right bottle empties, the humidifier will begin to use the water from the left bottle until it is depleted. At this time the Fill Indicator beside it will illuminate. There will still be a slight delay in the unit shutting off while it depletes the water in the bottom of the cabinet. At this time or anytime during normal operation you may fill the water bottles to continue operation. **Note:** A small amount of water remains in cabinet after both Fill Indicators turn on and the unit shuts off.



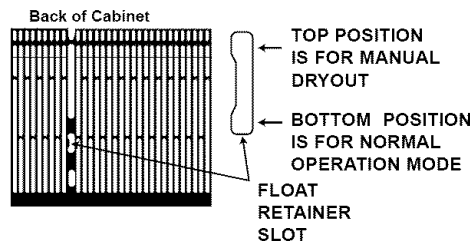
Manual Dryout

At the end of the humidification season or if you do not plan to run the humidifier for one week or more, you can override the automatic shutoff function to completely dry the humidifier cabinet out.

To do this, simply slide the float retainer located at the back of the humidifier cabinet to the top position of the slot it is located in. This will hold the float in an upward position and the fans will run until you turn the power off.

NOTE: Be sure to position float retainer to the normal operating mode (lowest position in slot) for humidifier operation.

Below is a diagram of the slot the float retainer is located in at the back of the cabinet.



Using Your Humidifier


Step 1

Be sure humidifier is full of water and plugged in.

Step 2

Set Speed Control  to low speed "•".

Step 3

Set Humidity Control "  " to medium position.

NOTE: Humidifier should operate with humidity control on the recommended medium setting. If it does not, the humidity is at a relatively high level. To test the unit under this condition, turn Humidity Control all the way to clockwise and unit should begin to operate. After the unit has been tested, set Humidity Control to medium or desired level.

Allow 24 hours for humidifier to adjust.

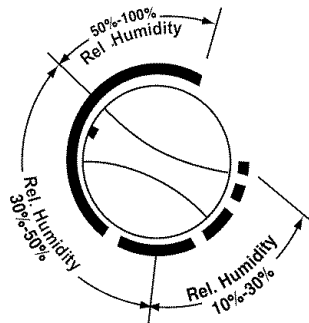
If humidity level in home is sufficient, the humidifier will only operate with Humidity Control turned all the way clockwise.

IMPORTANT: Water damage may result if condensation starts to form on windows or walls. Humidity Control setting should be lowered until condensation no longer forms.

Step 4

If humidifier stops running and **BOTH** Fill indicators are not on, the humidity level is at the normal requirements for that setting or it is adjusting to the home conditions. The chart below shows recommended indoor humidity levels. The figure below shows approximate relative humidity percentages which correspond to the various settings of the Humidity Control.

When Outdoor Temperature is:	Recommended Indoor Relative Humidity is:
-10°F	20%
0°F	25%
10°F	30%
20°F & above	35%



Relative Humidity

Operating Tips for Best Performance

1. Position the humidifier at least 2 inches from any wall and away from any heat registers.
2. Do not restrict airflow from entering or exiting the humidifier.
3. Use Sears recommended bacteriostat 42-14900 to retard bacteria growth that may cause odors and may be harmful to your health.
4. Perform regular cleaning as instructed in "Cleaning Your Humidifier" section of this manual.
5. Replace the evaporative wicking filters at least once per humidification season or more depending on water conditions in your area.

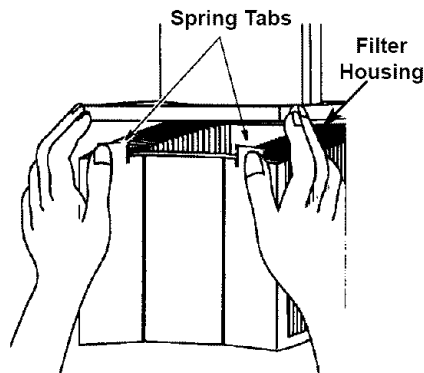
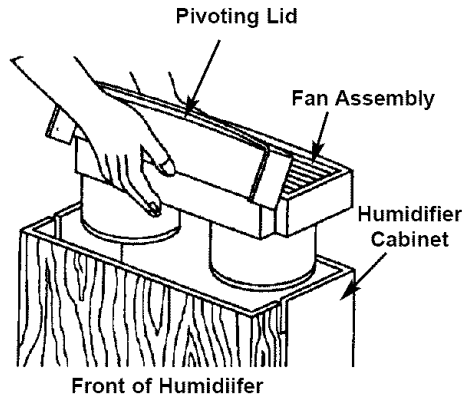
Replacement and Care of Filters

WARNING: To reduce the risk of shock or injury from moving parts, always unplug humidifier before removing or replacing any parts.

CAUTION: To help retard bacteria growth and keep maximum efficiency, the filters should be replaced at least once per season, or more often under hard water conditions. Use Sears recommended replacement filter 42-14911.

The filters may be rinsed periodically in clear water only. Take care not to damage paper. To replace evaporative wicking filters in your Kenmore Quiet Comfort Whole House humidifier, follow the instructions below.

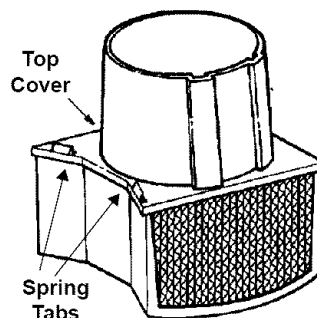
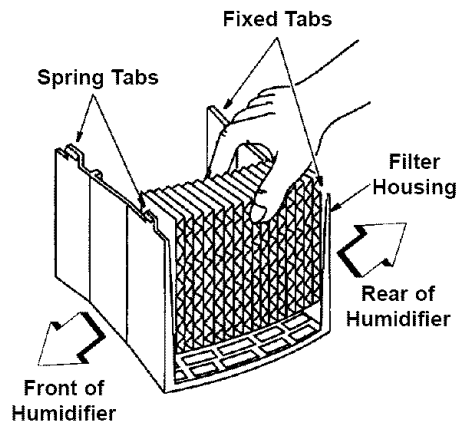
1. Unplug humidifier and proceed to clean.
Before removing the filters, we recommend moving the humidifier to an area where floor coverings are not susceptible to water damage, i.e. kitchen or bath areas.
2. Open the pivoting lid and remove water bottles and set aside. Grasp the fan assembly front center and rear center. Lift off and set aside on a clean flat surface. The filter housings are now accessible.
3. Lift filter housing out of cabinet and place where you may work on them comfortably. With a soft, absorbent cloth remove any remaining water or loose mineral deposits not trapped in the filter from the humidifier cabinet.
4. To open filter housing for easy access to filters:
 - a. Deflect the two spring tabs on top of filter housing. Lift top cover off of the filter housing and set aside.
 - b. Remove the two filters and dispose of properly. Clean internal parts of humidifier per the "Cleaning of Humidifier" section of your owner's manual.



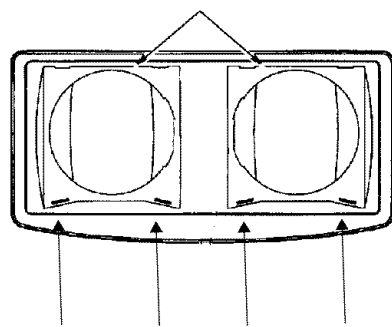
Replacement and Care of Filters (continued) —

- c. Install new filters in the filter housing track with the glue beads of the wicking pad to the inside of the filter housing.
- d. Return the top cover of the filter housing by installing the cover over the fixed tabs on the rear of the lower filter housing and pivoting the cover down over the top of the filters. Snap the cover over the two spring tabs.
- e. Replace the filter housing in the cabinet. Note: There is a front and back orientation. To position the filter housings correctly:
 - Be sure that the spring tabs of filter housings are towards front of cabinet.
 - Align the lower portion of the filter assembly over the six ribs located at the bottom rear of the humidifier cabinet.
- f. Position fan assembly onto the cabinet. Make sure the fan venturi (lowest cylinder section below the fan) is placed inside the filter housing.
- g. Replace water bottles.
- h. Close the pivoting lid.
- i. The unit is ready for use or to be stored away for next season.

NOTE: For correct operation of the filter housing assembly, filters must be fully contained inside the flange of the top cover.



Flat Portion of Filter Housing
Towards Back of Cabinet



Spring Tabs Towards Front of Cabinet

Step 4 e.

Cleaning Your Humidifier

WARNING: To reduce the risk of injury, fire or damage to humidifier, use only cleaners specifically recommended for humidifiers. Never use flammable, combustible or poisonous materials to clean your humidifier. To reduce the risk of scalds and damage to humidifier, never put hot water in humidifier.

CAUTION: Local water purity varies from area to area and under certain conditions water impurities and airborne bacteria may promote the growth of microorganisms in the reservoir of the humidifier.

To retard bacteria growth that may cause odors and be harmful to your health, use only Sears replacement filters. We also recommend using EPA approved bacteriostat, 42-14900 and humidifier cleaner 42-14713, available at your local Sears store.

NOTE: If it is necessary to use approved bacteriostat, follow directions correctly.

The bottles of the whole house humidifier will hold 2-3/8 gallons of water each.

Step 1

To make cleaning easier, the humidifier cabinet should be empty and completely dried out. To accomplish this, use the following method:

- On the back side of the humidifier cabinet, find the float retainer. In normal operating mode, the retainer will be positioned in the bottom of the slot in the cabinet. Push the retainer up to the top slot position in the cabinet until it locks in place. (See "Manual Dryout" section on page 7.)
- Allow the humidifier to run until there is no water left in the cabinet.
- Unplug humidifier.

WARNING: If humidifier is not unplugged, fan could start after housing is removed.

Step 2

To Remove Parts

- Open the pivoting lid and remove water bottles and set aside. Grasp the fan assembly front center and rear center. Lift off and set aside on a clean flat surface. The filter housings are now accessible.
- Before removing the internal parts of the humidifier cabinet, we recommend moving the humidifier to an area where floor coverings are not susceptible to water damage, i.e., kitchen or bath area. Lift the filter housing assemblies out of the cabinet and set to the side.
- Remove the water level float from the humidifier cabinet by pinching the float retainer to release it from the cabinet. The cabinet should be empty before cleaning. The cabinet consists of the lower areas of the humidifier where the filters are during normal operation time.
- Empty cabinet of any remaining water.
- Proceed to "Bi-Weekly Maintenance" or "End of Season Maintenance."
- Remove old filters and dispose of properly as described on page 9 and 10.

Step 3

Install new filters (purchase the correct evaporative wicking filter pads 42-14911 for your humidifier) into the location where the old filters were positioned. Install the filter housings with the new filters into the correct location. Reinstall the water level float. **NOTE:** Float retainer should be positioned in normal operating mode. Assure that it is positioned in the bottom of the slot in the back of the cabinet. (See page 7 for diagram of slot.) Position the fan assembly on top of the cabinet and return the humidifier to the desired location for use.

Refill humidifier bottles with fresh cool water and return them to the cabinet. Plug the unit into a 120 volt A.C. power outlet and set the controls per the "Operating Humidifier Controls" section of this manual.

Cleaning of Humidifier (continued) _____

Bi-Weekly Maintenance

Removing Scale

1. Fill the humidifier cabinet with one 8 oz. cup of undiluted white vinegar. Let solution stay 20 minutes.
2. Clean all interior surfaces with a soft brush. Dampen a soft cloth with undiluted white vinegar and wipe out the cabinet to remove scale.
3. Rinse thoroughly with clean warm water to remove scale and cleaning solution before disinfecting cabinet.
4. Dust the fan assembly and outside surfaces with a soft cloth only.

Disinfecting Humidifier Cabinet and Water Bottles

1. Fill humidifier cabinet with 1 teaspoon chlorine bleach in 1 gallon of water. Let solution stay for 20 minutes, swishing every few minutes. Wet all surfaces normally exposed to water.
2. Empty humidifier cabinet after 20 minutes. Rinse with water until bleach smell is gone. Allow unit to dry out completely.
3. Water bottles should be cleaned in the same manner.

End of Season Maintenance

1. Follow "Bi-Weekly Maintenance" instructions at end of humidification season.
2. Remove and throw away filters.
3. Let humidifier dry completely before storing. Do not store with water inside cabinet or water bottles.
4. Store in cool, dry location.
5. Install a new filters in clean humidifier before next season begins.
6. "Bi-Weekly" is also recommended if you do not plan to run the humidifier for one week or more.

Troubleshooting

Trouble	Probable Cause	Remedy
Unit will not run and no control panel lights are illuminated.	<ul style="list-style-type: none"> No Power. 	<ul style="list-style-type: none"> Check 120 volt power source.
Unit will not shut off.	<ul style="list-style-type: none"> Float retainer is positioned in "Manual Dryout" position. Float is not free. 	<ul style="list-style-type: none"> Slide float retainer down to normal operation mode. Refer to "Manual Dryout" section on page 7. Free float from obstruction.
Unit will not dry out completely.	<ul style="list-style-type: none"> Float is positioned in normal operation mode. 	<ul style="list-style-type: none"> This is normal. A small amount of water remains in the cabinet after Fill Lights come on. Position float retainer in "Manual Dryout" position to completely dry out. See page 7.
Bottles continue to empty.	<ul style="list-style-type: none"> Air is entering water bottles. 	<ul style="list-style-type: none"> Check "E-Z-Fill Side-Caps" and valve assembly caps to ensure tightness. Check for leak in water bottles. Ensure gaskets for "E-Z-Fill Side Caps" are in place.
Neither bottle emptying.	<ul style="list-style-type: none"> Bottle cap plunger missing post in bottom of cabinet Dirty filters 	<ul style="list-style-type: none"> Check orientation of bottles. Reposition so that bottle cap plunger (stem) is depressed by post in bottom of cabinet. Change to fresh new filters. (42-14911)
Left bottle not emptying.	<ul style="list-style-type: none"> Right bottle contains water 	<ul style="list-style-type: none"> The humidifier is designed so the right bottle empties first. Continue to run until both fill lights come on.
Fill Indicators turn on before bottles are empty. Note: There may be a little water still in bottle when Fill indicator is illuminated. This is normal.	<ul style="list-style-type: none"> Unit is not set up on a level surface. (Float will not sense water at the rear of the cabinet.) 	<ul style="list-style-type: none"> Position unit level. (Some carpet padding may allow unit to sit lower in front than rear with the additional weight of water bottles in the front of the cabinet. Install caster pads under front casters. (See page 4).

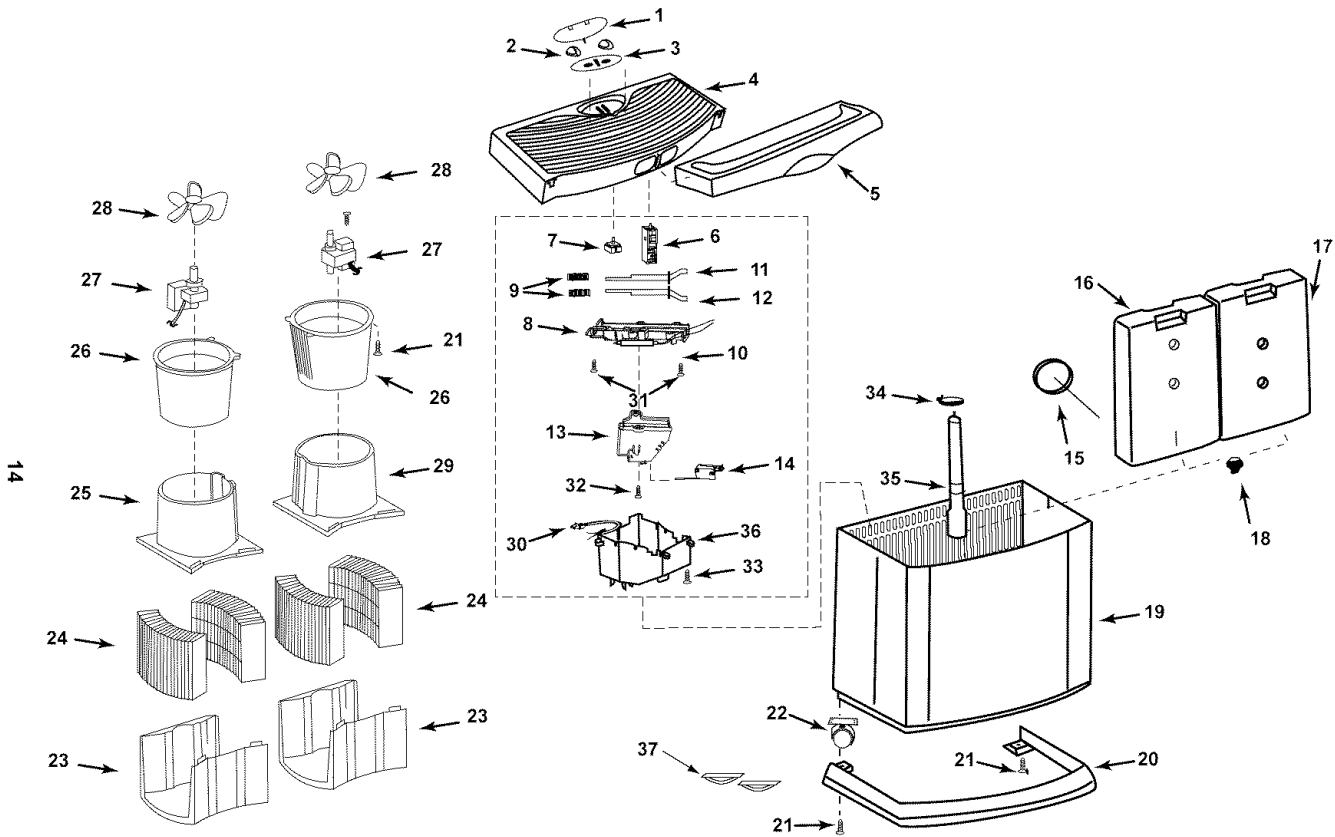
CAUTION: Use only 42-14900 EPA Registered Bacteriostat available from Sears Retail store.

Use of other water treatment products may damage the filter elements.

Under no circumstances should you use water treatment products designed for Roto belt or Ultrasonic humidifiers.

Repair Parts

Parts List for Sears Humidifiers Model No. 758.144170



Repair Parts

Parts List for Sears Humidifiers

Model No. 758.144170

Always order by part number - Not by key number

Key No.	Part No.	Description
20	823726	Rail, Kick
21	STD601107	* Screw, Pan Hd. Ty "AB" #10 x 3/4
22	828515	Caster, Twin Wheel
23	823849	Support, Filter Lower
24	42-14911	† Filter, Evaporative
25	828197	Support, Upper Filter (Left)
26	828534	Support, Motor
27	828115-1	Motor (Includes mounting hardware)
28	822406-1	Fan
29	828196	Support, Upper Filter (Right)
30	828858	Cord w/Plug
31	816069-5	* Screw, Pan Hd. Ty "AB" #6 x 1/2
32	816069-6	* Screw, Pan Hd. Ty "AB" #6 x 3/4
33	STD600805	* Screw, Pan Hd. Ty "AB" #8 x 1/2
34	824101-1	Retainer, Float
35	828200	Float, Water Level
36	828745	Enclosure, Electronics
37	828920	Pad, Caster (Two)
-	SP6424	Owner's Manual (not illustrated)

† Stock Item - May Be Secured Through Sears Retail and Catalogue Stores.

Key No.	Part No.	Description
1	828743	Cover, Dust
2	828756	Knob
3	828853	Label, Control
4	828741-1	Lid, Stationary
5	828855-1	Lid, Pivoting
6	822409	Humidistat
7	823912	Switch, Rotary
8	828753	Cover, Actuator Arm
9	828755	Spring, Compression
10	828750	Light, Pilot
11	828751	Arm, LH Actuator
12	828752	Arm, RH Actuator
13	828749	Retainer, Micro Switch
14	828854	Switch, Micro
15	824690	"Easy-Fill Side-Cap"
16	828192	Bottle, Left (Includes Key No's 15 & 18)
17	828726	Bottle, Right (Includes Key No's 15 & 18)
18	509229-1	Cap, Valve Assembly
19	828199-9	Cabinet

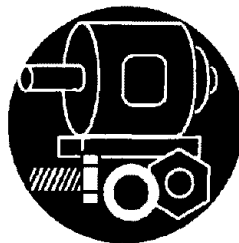
* Standard Hardware Item - May be purchased locally.

For the repair or replacement parts you need

Call 7 am - 7 pm, 7 days a week

1-800-366-PART

(1-800-366-7278)



For in-home major brand repair service

Call 24 hours a day, 7 days a week

1-800-4-REPAIR

(1-800-473-7247)



For the location of a Sears Repair Service
Center in your area

Call 24 hours a day, 7 days a week

1-800-488-1222



For information on purchasing a Sears
Maintenance Agreement or to inquire
about an existing Agreement

Call 9 am - 5 pm, Monday-Saturday

1-800-827-6655



SEARS
REPAIR SERVICES

America's Repair Specialists

The model number will be found on the Humidifier identification label.

When requesting service or ordering parts, always provide the following information:

- Product Type
- Model Number
- Part Number
- Part Description

© 2001 Emerson Electric Co.

Sears, Roebuck and Co., Hoffman Estates, IL 60179 U.S.A.

Part. No. SP6424

Form. No. SP6424

Printed in Canada 06/01

Free Manuals Download Website

<http://myh66.com>

<http://usermanuals.us>

<http://www.somanuals.com>

<http://www.4manuals.cc>

<http://www.manual-lib.com>

<http://www.404manual.com>

<http://www.luxmanual.com>

<http://aubethermostatmanual.com>

Golf course search by state

<http://golfingnear.com>

Email search by domain

<http://emailbydomain.com>

Auto manuals search

<http://auto.somanuals.com>

TV manuals search

<http://tv.somanuals.com>