

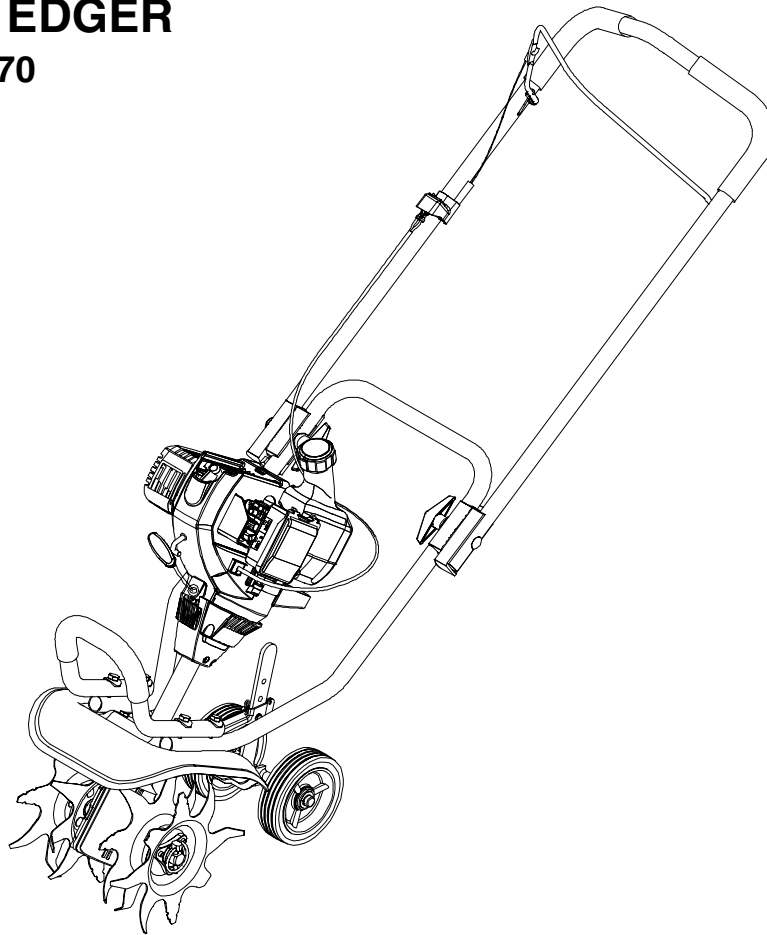
Operator's Manual



4 Cycle

CULTIVATOR / EDGER

Model No. 316.29270



CAUTION: Before using this product, read this manual and follow all Safety Rules and Operating Instructions.

- Safety
- Assembly
- Operation
- Maintenance
- Parts
- Español

Sears, Roebuck and Co., Hoffman Estates, IL 60179, U.S.A.

Visit our Sears website: www.sears.com/craftsman

Printed in U.S.A.

FORM NO. 769-00027

2/02

TABLE OF CONTENTS

Content	Page	Content	Page
Warranty	2	Service and Storage	12
Safety	3	Troubleshooting	13
Assembly	5	Parts List	14
Operation	6		
Maintenance	9		

WARRANTY

Limited Warranty on Craftsman Cultivator / Edger

For two (2) years from the date of purchase, if this Craftsman Equipment is maintained, lubricated, and tuned up according to the instructions to the operator's manual, Sears will repair or replace free of charge any parts found to be defective in material or workmanship. Warranty service is available free of charge by returning Craftsman equipment to your nearest Sears Service Center. In-home warranty service is available but a trip charge will apply. This Warranty applies only while this product is in the United States.

This Warranty does not cover:

- Expendable items which become worn during normal use, such as spark plugs, air cleaners, belts, and oil filters.
- Tire replacement or repair caused by punctures from outside objects, such as nails, thorns, stumps, or glass.
- Repairs necessary because of operator abuse, including but not limited to, damage caused by objects, such as stones or metal debris, oversized stock, impacting objects that bend the frame or crankshaft, or over-speeding the engine.
- Repairs necessary because of operator negligence, including but not limited to, electrical and mechanical damage caused by improper storage, failure to use the proper grade and amount of engine oil, or failure to maintain the equipment according to the instructions contained in the operator's manual.
- Engine (fuel system) cleaning or repairs caused by fuel determine to be contaminated or oxidized (stale). In general, fuel should be used **within 30 days** of its purchase date.
- Equipment used for commercial or rental purposes.

TO LOCATE THE NEAREST SEARS SERVICE CENTER OR TO SCHEDULE SERVICE, SIMPLY CONTACT SEARS AT 1-800-4-MY-HOME®.

This warranty gives you specific legal rights and you may also have other rights, which vary from state to state.

PRODUCT SPECIFICATION

Engine	4 Cycle	Model Number..... 316.29270
Engine Oil Type	SAE 30	Serial Number.....
Engine Oil Capacity	3.4 Fluid Ounces	Date of Purchase.....
Fuel Capacity:	Approximately 1 Quart	Record both serial number and date of purchase and keep in a safe place for future reference.
Spark Plug	Champion RJ-19LM	
Spark Plug Gap	.025" (0.655 mm)	

SAFETY



WARNING: This symbol points out important safety instructions which, if not followed, could endanger the personal safety and/or property of yourself and others. Read and follow all instructions in this manual before attempting to operate this machine. Failure to comply with these instructions may result in personal injury. When you see this symbol - **heed its warning.**

WARNING: The Engine Exhaust from this product contains chemicals known to the State of California to cause cancer, birth defects or other reproductive harm.

DANGER: This machine was built to be operated according to the rules for safe operation in this manual. As with any type of power equipment, carelessness or error on the part of the operator can result in serious injury. This machine is capable of amputating hands and feet and throwing objects. Failure to observe the following safety instructions could result in serious injury or death.

Training

1. Read, understand, and follow all instructions on the machine and in the manual(s) before attempting to assemble and operate. Keep this manual in a safe place for future and regular reference and for ordering replacement parts.
2. Be familiar with all controls and their proper operation. Know how to stop the machine and disengage them quickly.
3. Never allow children under 14 years old to operate this machine. Children 14 years old and over should read and understand the operation instructions and safety rules in this manual and should be trained and supervised by a parent.
4. Never allow adults to operate this machine without proper instruction.
5. Keep bystanders, helpers, pets, and children at least 50 feet from the machine while it is in operation. Stop machine if anyone enters the area.
8. To avoid personal injury or property damage use extreme care in handling gasoline. Gasoline is extremely flammable and the vapors are explosive. Serious personal injury can occur when gasoline is spilled on yourself or your clothes which can ignite. Wash your skin and change clothes immediately.
 - a. Use only an approved gasoline container.
 - b. Extinguish all cigarettes, cigars, pipes, and other sources of ignition.
 - c. Never fuel machine indoors.
 - d. Never remove gas cap or add while the engine is hot or running.
 - e. Allow engine to cool at least two minutes before refueling.
 - f. Never over fill fuel tank. Fill tank to no more than 1/2 inch below bottom of filler neck to provide space for fuel expansion.
 - g. Replace gasoline cap and tighten securely.
 - h. If gasoline is spilled, wipe it off the engine and equipment. Move machine to another area. Wait 5 minutes before starting the engine.
 - i. Never store the machine or fuel container inside where there is an open flame, spark, or pilot light (e.g. furnace, water heater, space heater, clothes dryer, etc.)
 - j. Allow machine to cool at least 5 minutes before storing.

PREPARATION

1. Thoroughly inspect the area where the equipment is to be used. Remove all stones, sticks, wire, and other foreign objects which could be tripped over and cause personal injury.
2. Wear sturdy, rough-soled work shoes and close-fitting slacks and shirts. Loose fitting clothes or jewelry can be caught in movable parts. Never operate this machine in bare feet or sandals.
3. Wear safety glasses or goggles that are marked as meeting ANSI Z87.1 standards and ear/hearing protection when operating this unit. Wear a face or dust mask if the operation is dusty.
4. This unit has a clutch. The tines remain stationary when the engine is idling. If they do not, have the unit adjusted by an authorized service dealer.
5. Squeeze the throttle control and check that it returns automatically to the idle position.
6. Never leave this machine unattended with the engine running.
7. Never attempt to make any adjustments while

OPERATION

1. Do not put hands and feet near rotating parts. Contact with the rotating parts can amputate fingers, hands, and feet.
2. Do not operate machine while under the influence of alcohol or drugs.
3. Never operate this machine without good visibility or light. Always be sure of your footing and keep a firm hold on the handles.
4. Keep bystanders, helpers, pets, and children at least 50 feet from the machine while it is in

- operation. Stop machine if anyone enters the area.
5. Be careful when cultivating in hard ground. The tines may catch in the ground and propel the cultivator forward. If this occurs, let go of the handle and do not restrain the machine.
 6. Never operate the machine at high transport speeds on hard or slippery surfaces.
 7. Exercise caution to avoid slipping or falling.
 8. Look down, behind, and use care when pulling machine towards you.
 9. Start the engine according to the instructions found in this manual and keep feet well away from the tines at all times.
 10. After striking a foreign object, stop the engine, disconnect the spark plug wire and ground against the engine. Thoroughly inspect the machine for any damage. Repair the damage before starting and operating.
 11. Disengage all clutch and stop engine before you leave the operating position (behind the handle). Wait until the tines come to a complete stop before unclogging the tines, making any adjustments, or inspections.
 12. Never run an engine indoors or in a poorly ventilated area. Engine exhaust contains carbon monoxide, an odorless and deadly gas.
 13. Muffler and engine become hot and can cause a burn. Do not touch.
 14. Use caution when cultivating near fences, buildings and underground utilities. Rotating tines can cause property damage or personal injury.
 15. Do not overload machine capacity by attempting to cultivate soil to deep or to fast of a rate.
 16. If the machine should start making an unusual noise or vibration, stop the engine, disconnect the spark plug wire and ground it against the engine. Inspect thoroughly for damage. Repair any damage before starting and operating.
 17. Keep all shields, guards and safety devices in place and operating properly.
 18. Never pick up or carry machine while the engine is running.
 19. Use only attachments and accessories available by the Sears. Failure to do so, can result in personal injury.
 20. If situations occur which are not covered in this manual, use care and good judgment. Contact your nearest Sears service center.

Maintenance And Storage

1. Never tamper with safety devices. Check their proper operation regularly.
2. Check bolts and screws for proper tightness at frequent intervals to keep the machine in safe working condition. Also, visually inspect machine for any damage.
3. Before cleaning, repairing, or inspecting, stop the engine and make certain the tines and all moving parts have stopped. Disconnect the spark plug wire and ground it against the engine to prevent unintended starting.
4. Do not change the engine governor settings or over-speed the engine. The governor controls the maximum safe operating speed of the engine.
5. Maintain or replace safety and instruction labels, as necessary.
6. Follow this manual for safe loading, unloading, transporting, and storage of this machine.
7. Never store the machine or fuel container inside where there is an open flame, spark or pilot light such as a water heater, furnace, clothes dryer etc.
8. Always refer to the operator's manual for proper instructions on off-season storage.
9. Always store unit in cultivator mode (all four tines on unit) to avoid tip over.
10. If the fuel tank has to be drained, do this outdoors.
11. Observe proper disposal laws and regulations for gas, oil, etc. to protect the environment.



WARNING: Restrict the use of this power machine to persons who read, understand and follow the warnings and instructions in this manual and on the machine.

ASSEMBLY

IMPORTANT: This unit is shipped **without gasoline or oil in the engine**. After assembly, see OPERATION section of this manual for proper fuel and engine oil fill-up.

NOTE: Reference to right or left hand side of the cultivator / edger is observed from the operating position.

Removing Unit From Carton

- Remove staples, break glue on top flaps, or cut tape at carton end and peel along top flap to open carton.
- Remove all loose parts that may be included with unit.
- Cut along corners, lay carton down flat, and remove packing material.
- Roll or slide unit out of carton and check carton thoroughly for loose parts.

Loose Parts In Carton

- Operator's Manual
- 3.4 fl.oz. (100ml) Bottle of Engine Oil
- Edger Wheel
- Edger Blade

Disconnecting Spark Plug

Before setting up your cultivator / edger, disconnect the spark plug wire from the spark plug and ground to a stud on the engine.

Setting Up Your Cultivator / Edger

- Loosen each wing nut enough to separate the plastic connectors between the upper and lower handle. Gently lift up and pull out on the upper handle to raise the handle toward the operating position. See Figure 1.
- Separate the connectors and position the bottom tip of upper handle connector in front of the bottom tip of lower handle connector.
- The lower handle connector has three marked lines on the top and the upper handle connector has one marked line.
- Position the connectors aligning the marked line on the upper connector with the middle marked line on the lower connector.
- To secure the upper and lower handle, tighten the wing nuts and washers (carriage bolts must be seated properly into the outer handle and grooves must line up between connectors).
- If not already, tighten the cable tie on the right side of handle.

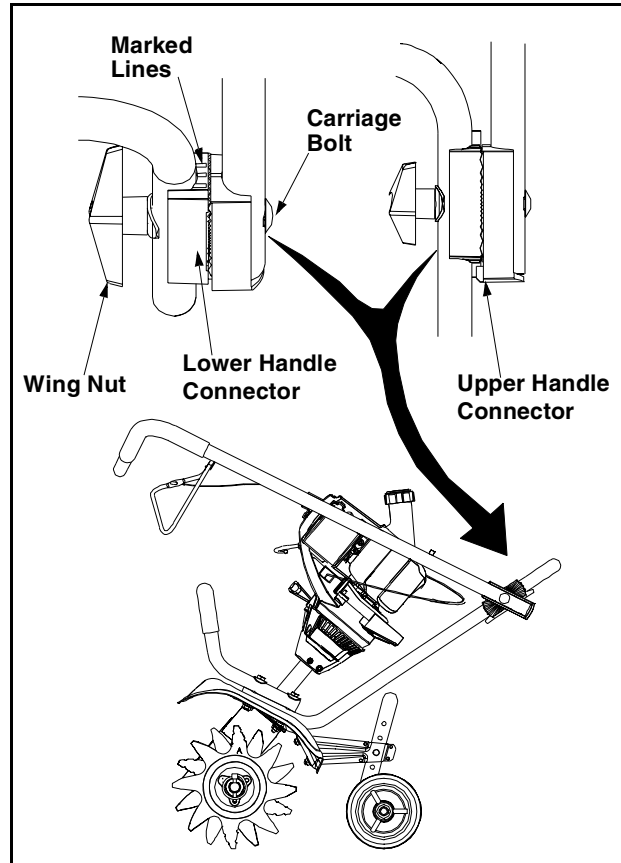


Figure 1

OPERATION

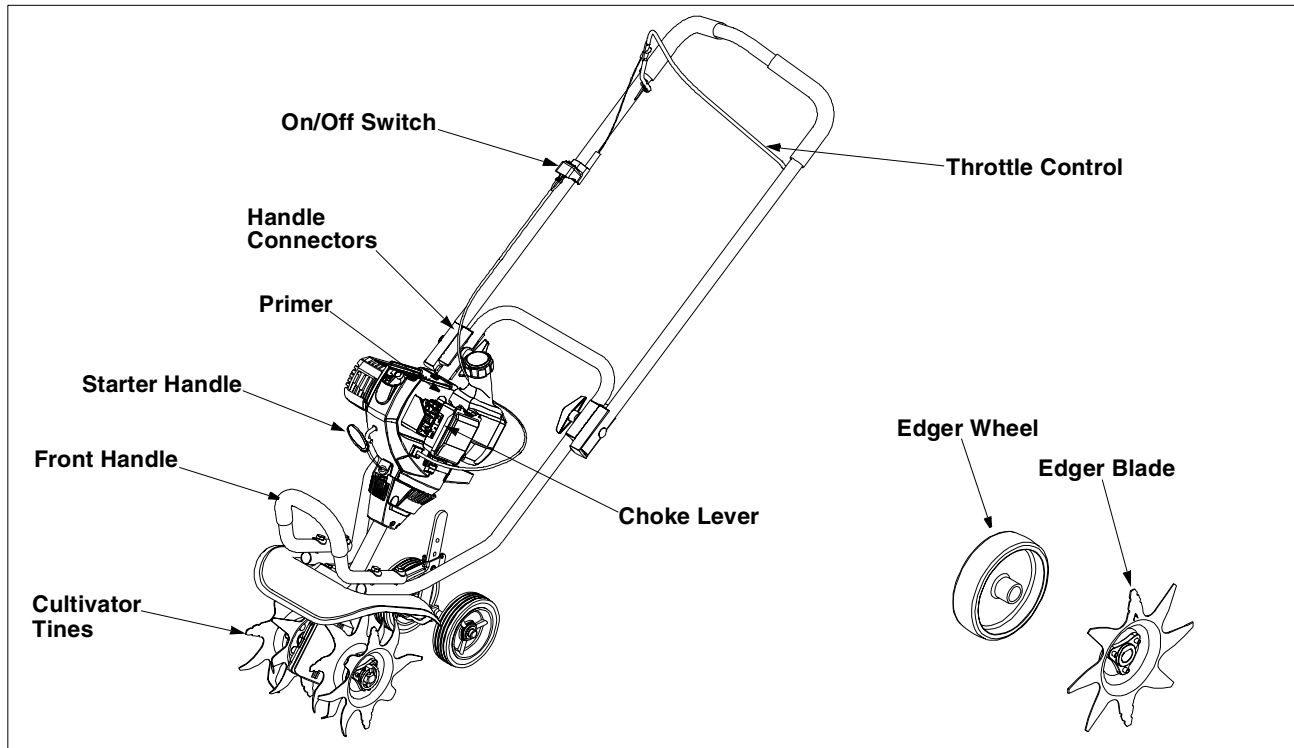


Figure 2

Read this operator's manual and safety rules before operating your cultivator / edger. Compare the illustrations with your unit to familiarize yourself with the location of various controls and adjustments. See Figure 2.

Starter Handle

The starter handle is attached to an eyebolt in the front of the engine.

Throttle Control

The throttle control is located on the upper handle. Squeezing the control against handle speeds up the engine and engages the cultivator / edger tines. Release the handle to stop the tines.

Choke Lever

The choke lever is located on the left side of engine and it is used to enrich the fuel mixture when starting a cold engine.



Primer Button

The primer button is located on the right side of engine and it is used in conjunction with the choke to enrich the fuel mixture in the carburetor when starting a cold engine.

On/Off Switch

The On/Off switch is located on the upper handle. The switch must be in the On (I) to start engine and

Off (O) to stop engine.

Handle Connectors

The handle connectors are on each side between lower and upper handle. They are used to lock the upper handle in a set position.

Front Handle

The front handle can be used when transporting the unit.

Tines

The tines are used to cultivate, furrow, and prepare your garden for seeding.

Wheel Support Bracket

The wheel support bracket is attached to the tailpiece bracket behind the cultivator / edger. It is used to adjust the wheels to a higher or lower resting position.

Edger Wheel and Blade

The edger wheel and blade are separate parts that do not come attached on the cultivator / edger. They are to be used instead of the cultivator tines for vertical edging.

Stopping Engine

- Push the On/Off switch to Off (O) position to stop engine and tines.
- Disconnect spark plug wire from spark plug and ground against the engine.

Oil Fill-Up

Using the proper type and weight of oil in the crankcase is extremely important. Check the oil before each use and change the oil regularly. Failure to use the correct oil or using dirty oil can cause premature engine wear and failure. Refer to Maintenance Section.

Use a high-quality SAE 30 weight oil of API (American Petroleum Institute) service class SF, SG, or SH.

NOTE: *This unit is shipped without oil in the engine. In order to avoid damage to the unit, put the recommended oil in the crankcase before attempting to start unit.*

This unit is shipped with one 3.4 fluid oz. (100ml) bottle of SAE 30 SF, SG, or SH oil.

NOTE: *For cold weather operation, temperatures below 40°F (4°C) use a high-quality SAE 10W30 weight oil of API (American Petroleum Institute) service class SF, SG, or SH.*

- **When adding oil, the unit must be laid back in the horizontal position on a flat surface with the upper handle touching the ground.** See Figure 3.

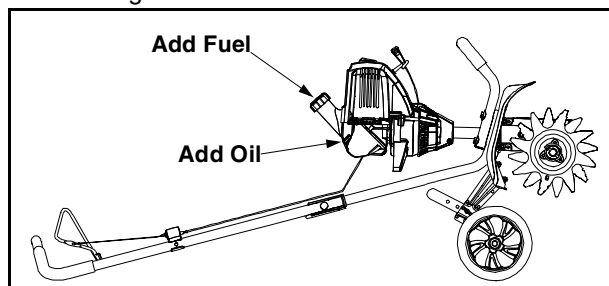


Figure 3

- Remove the oil plug/dipstick from the crankcase and pour **3.4 fl. oz. (100ml.)** bottle of oil into the oil fill hole. Save bottle for refill. See Figure 4.

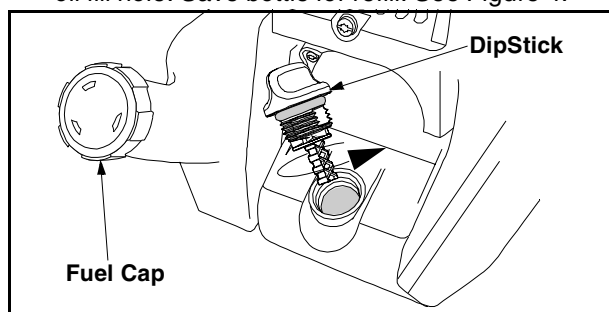


Figure 4

IMPORTANT: The importance of checking and maintaining the proper oil level in the crankcase cannot be overemphasized. **DO NOT OVERFILL.**

NOTE: *This is a 4-cycle engine. In order to avoid damage to the unit, do not mix oil with gasoline.*

- Wipe up any oil that may have spilled and reinstall the oil fill plug/dipstick.

Gas Fill-Up

Old fuel is the primary reason for the unit not running properly. Be sure to use fresh, clean, and unleaded gasoline. Use fresh fuel (less than 60 days old), when using alcohol-blended fuel.

- When adding fuel, unit must be laid back in the horizontal position on a flat surface.
- Remove fuel cap and remove the tag from the fuel tank neck. Refer to Figure 4.



WARNING: Use extreme care when handling gasoline. Gasoline is extremely flammable and the vapors are explosive. Never fuel machine indoors or while the engine is hot or running. Extinguish cigarettes, cigars, pipes, and other sources of ignition.

- Place spout of gas container into the fill hole on the fuel tank and fill tank.
- Wipe up any gasoline that may have spilled and reinstall the fuel cap.
- Move the unit at least 30 ft. (9.1m) from the fueling source and site before starting the engine.

Starting Engine

- Before starting make sure spark plug wire is attached to spark plug.
- Check oil level and fill fuel tank with fresh fuel.
- Push On/Off switch on upper handle to On (I).
- Place choke lever in Close (A) position. See Figure 5.
- Fully press and release the primer bulb slowly 5 to 7 times. Gasoline should be felt and visible in the bulb. Press primer a few more times, if gasoline is not noticed. See Figure 5.

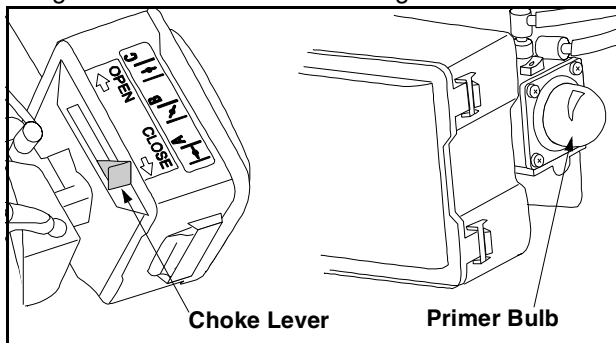


Figure 5

- Squeeze the throttle control to the wide open position. Refer to Figure 2.
- Place right foot on the right side of cultivator wheel.
- Pull the starter rope briskly 3 to 5 times or until engine attempts to run.
- Move the choke to Partial (B) position.

NOTE: *The engine will not operate in the Close (A) position.*

- Pull the starter rope again 1 to 3 times until engine starts.
- Move choke lever to Open (C) position and run at full throttle for 30 seconds. Release throttle lever.
- With tines off the ground, depress the throttle lever against the upper handle to increase engine speed and rotate tines.



WARNING: Never run the engine indoors or in a poorly ventilated area. Engine exhaust contains carbon monoxide, an odorless and deadly gas. Keep hands, feet, hair, and loose clothing away from rotating tines.

Starting A Warm Engine

- Push On/Off switch on upper handle to On (I).
- Move the choke to Partial (B) position.
- Fully press and release the primer bulb slowly 5 to 7 times. Gasoline should be felt and visible in the bulb. Press primer a few more times, if gasoline is not noticed. See Figure 5.
- Squeeze the throttle control to the wide open position. Refer to Figure 2.
- Place right foot on the right side of cultivator wheel.
- Pull the starter rope briskly 3 to 5 times or until engine starts.
- Move choke lever to Open (C) position.
- With tines off the ground, depress the throttle lever against the upper handle to increase engine speed and rotate tines.

Using Your Cultivator



WARNING: Never pick up or carry the unit while the engine is running. Serious personal injury could result.

- Move the cultivator to the work area prior to starting the engine. The cultivator may be transported by pushing it on the wheels or carrying it by the handles.
- Start the engine referring to Starting Engine.
- With both hands on the upper handle and squeezing the throttle control, slowly lower the cultivator until the tines make contact with the ground.
- Once the tines are in the ground, continue to cultivate at a moderate pace until you are familiar with the controls and the handling of the cultivator.
- To adjust the cultivating depth, adjust the wheel support bracket. See Adjusting The Wheel Bracket.

For cultivation, a two to three inch depth is desirable. When laying out plant rows, be sure to allow enough width to permit cultivation between the rows.

Adjusting the Wheel Support Bracket

To adjust the wheel support bracket proceed as follows:

- Stop engine and disconnect spark plug to avoid accidental starting.
- Remove cotter pin from the clevis pin and slide pin out of tailpiece bracket. See Figure 6.
- Slide the wheel support bracket up or down in the tailpiece, aligning the holes to the desire height.
- Place the clevis pin through the hole and secure with a cotter pin.

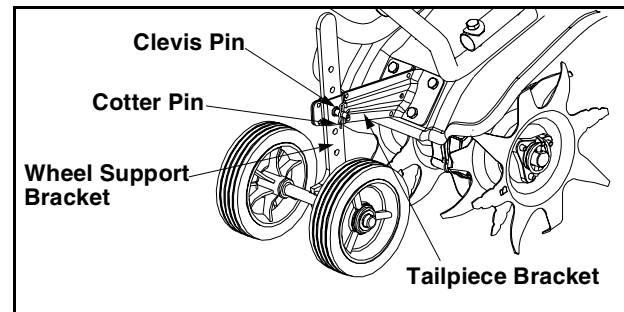


Figure 6

Attaching the Edger Wheel And Blade

To convert the cultivator to an edger proceed as follows:

- Push the On/Off switch to Off (O) position to stop engine and tines and disconnect spark plug to avoid accidental starting.
- It may be necessary to lay the cultivator / edger back in a horizontal position on a flat level surface with the upper handle touching the ground.
- Remove the click pin from each end of the tine shaft and slide the tines off the shaft.
- Slide the edger wheel, with the hub facing inward, onto the right side of the tine shaft and secure with the click pin in the inside hole. See Figure 7.
- Slide the edger blade with the hub facing out onto the left side of tine shaft and secure with the click pin in the inside hole. See Figure 7.

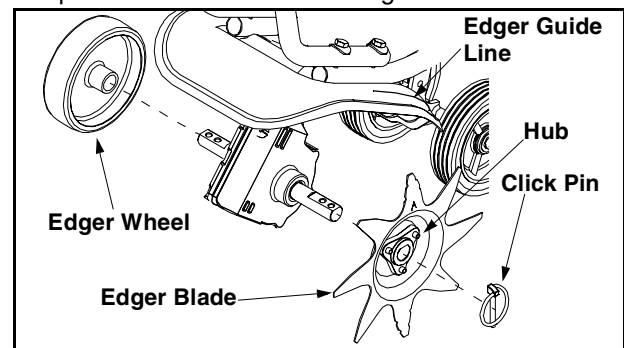


Figure 7

- Guide edger blade along a flowerbed, sidewalk, or driveway with the edger wheel along the outside edge. Use the edger guide line to line up edger blade. See Figure 7.

MAINTENANCE

MAINTENANCE SCHEDULE		Before each use	After each use	First 10 hours	Every 25 hours	Every 50 hours	Before storage
ENGINE	Check Engine Oil	✓					
	Change Engine Oil			✓	✓		✓
	Clean Air Filter			✓	✓		
	Check Spark Plug			✓	✓		
	Check Spark Arrester				✓		
	Rocker Arm Clearance			✓		✓	

NOTE: Maintenance, replacement, or repair of the emission control devices and system may be performed by any non-road engine repair establishment, individual or authorized service dealer.

In order to assure peak performance of your engine, inspection of the engine exhaust port may be necessary after 50 hours of operation. If you notice lost RPM, poor performance, or general lack of acceleration, this service may be required. If you feel your engine is need of this inspection, refer to a Sears service center. **DO NOT** attempt to perform this process yourself as engine damage may result from contaminants involved in the cleaning process for the port.



WARNING: Always stop engine and disconnect spark plug wire before cleaning or doing any kind of maintenance on your cultivator / edger.

Checking Oil



WARNING: To prevent extensive engine wear and damage to the unit, always maintain the proper oil level in the crankcase. Never operate the unit with the oil level below the bottom of the dipstick.

- Check oil before each use.
- Stop engine and allow oil to drain into the crankcase.
- **When checking oil, the unit must be laid back in the horizontal position on a flat surface with the upper handle touching the ground.** See Figure 8.
- Keep dirt and debris out of the engine. Clean the area around the oil fill plug/dipstick before removing it.

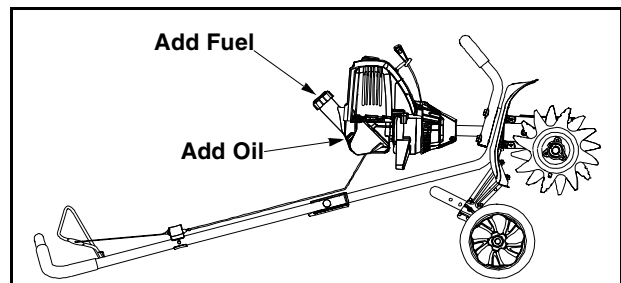


Figure 8

- Remove the oil fill plug/dipstick and wipe off oil. Reinsert it all the way back in.
- Remove the oil fill plug/dipstick and check oil level. Oil should be up to the top of the dipstick. Refer to Figure 4.
- If the level is low, add a small amount of oil to the oil fill hole and recheck. Repeat until the oil level reaches the top of the dipstick. See Figure 9.

NOTE: Make sure the O-ring is in place on the oil fill plug/dipstick when checking and changing the oil.

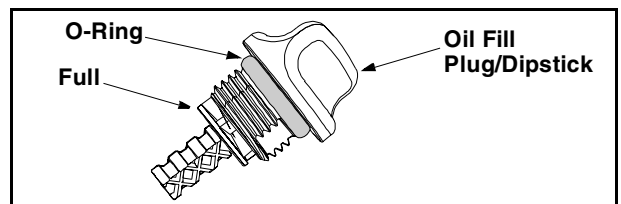


Figure 9

Changing Oil

- Remove the oil fill plug/dipstick.
- Tip the unit back or away from the air filter to pour the oil out of the oil fill hole and into a container.
- Wipe up any oil residue on the unit and clean up any oil that may have spilled. Dispose of the oil according to federal, state, and local regulations.

- **When adding oil, the unit must be laid back in the horizontal position on a flat surface with the upper handle touching the ground.**
See Figure 8.
- Refill the crankcase with **3.4 fl.oz. (100 ml.)** of SAE 30 SF, SG, or SH oil.
- Replace the oil fill plug/dipstick.

Air Filter Maintenance

- Open the air filter cover on side of engine by pushing the tab on the left side in and swinging the air filter cover out and off. See Figure 10.
- Remove the air filter and screen.
- Wash the filter in detergent and water. Rinse the filter thoroughly and allow it to dry.
- Apply enough clean SAE 30 motor oil to lightly coat the filter and squeeze the filter to spread and remove excess oil.
- Replace the screen and filter.
- Position the hooks on the right side of the air filter cover into the slots at the right side of the air filter housing.
- Swing the cover to the left until the tab on the air filter cover snaps into place in the slot.

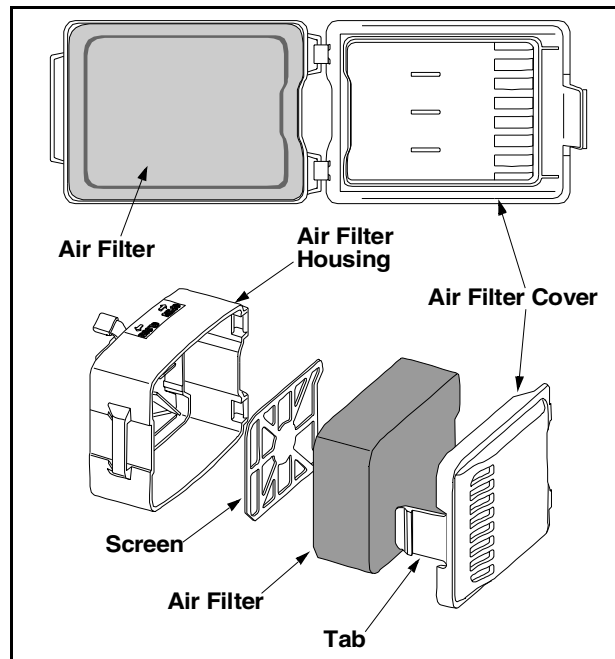


Figure 10

Carburetor Adjustment

If the engine will not idle, hesitates or stalls on acceleration, or there is a loss of engine power have the carburetor adjusted by an Sears service center.

Replacing The Spark Plug

The spark plug should be removed and checked after every 25 hours of operation. To replace the spark plug proceed as follows:

- Stop the engine and allow it to cool. Grasp the plug wire firmly and pull the cap from the spark plug.
- Clean dirt from around the spark plug and remove the spark plug from the cylinder head by turning counterclockwise using a socket.
- Set the air gap at 0.025 in (0.655 mm.) using a feeler gauge. See Figure 11.
- Install a correctly gapped spark plug in the cylinder head and tighten by turning the socket clockwise until snug. Do not over tighten.

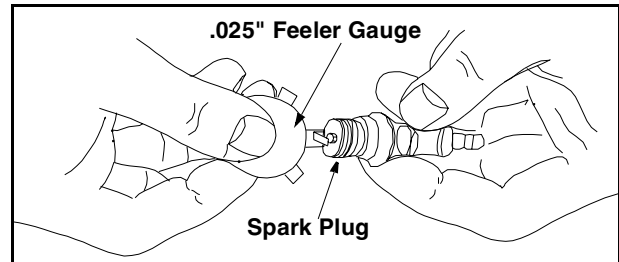


Figure 11

Spark Arrestor Maintenance

- Remove the muffler cover, if equipped, by pressing down on the corner with a flat blade screwdriver. Slide the notches on the sides of the muffler cover over the tabs on the engine cover and remove.
- Remove the screw attaching the spark arrestor cover to the muffler. See Figure 12.

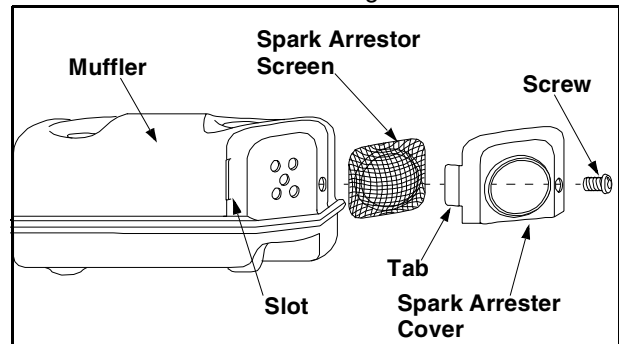


Figure 12

- Pull the tab on the spark arrestor cover out of the muffler and remove the spark arrestor cover.
- Remove the spark arrestor screen from the spark arrestor cover.
- Clean the spark arrestor screen with a wire brush or replace screen.
- Reinstall the spark arrestor screen, spark arrestor cover, and screw.

Rocker Arm Clearance

This requires disassembly of the engine. If you feel unsure or unqualified to perform this adjustment, take the unit to a Sears service center.

NOTE: *Inspect the valve to rocker arm clearance with a feeler gauge after the first 10 hours of operation*

and then every 50 hours of operation thereafter.

IMPORTANT: The engine must be cold when checking or adjusting the valve clearance. This task should be performed inside in a clean and dust free area. A new gasket must be used in this adjustment. A new rocker arm gasket (part # 791-182099) can be purchased from your Sears service center.

- Remove the muffler cover by pressing down on the corner with a flat blade screwdriver. Slide the notches on the sides of the muffler cover over the tabs on the engine cover and remove.
- Remove the two screws on top of the engine cover with a phillips screwdriver. See Figure 13.

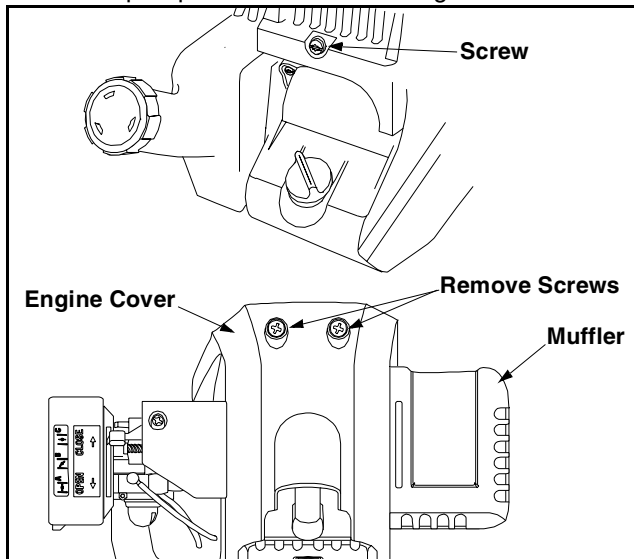


Figure 13

- Remove the screw on back of the engine cover. See Figure 13.
- Disconnect the spark plug wire and clean dirt around plug. Remove the spark plug from the cylinder head by turning a 5/8" socket counterclockwise.
- Remove engine cover.

NOTE: Pull the starter rope out a little to give some slack and to ease the removal of the engine cover.

- Clean dirt from around the rocker arm cover and remove the screw holding the rocker arm cover with a large flat blade screwdriver or Torx T25 bit. See Figure 14.

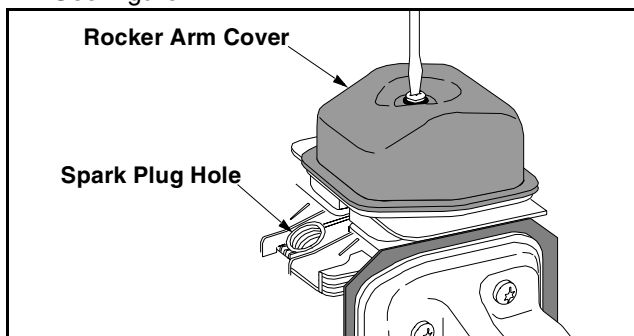


Figure 14

- Remove the rocker arm cover and gasket. Pull the starter rope slowly to bring the piston to the top of its travel. Make sure:

- The piston should be at the top of its travel while looking in the spark plug hole. See Figure 14.
- Both rocker arms should move freely and both valves are closed.

If not, repeat this step.

- Slide the feeler gauge between the rocker arm and the valve return spring. Measure the clearance between the valve stem and rocker arm. Do both intake and exhaust valves. See Figure 15.

The recommended clearance for both intake and exhaust is .003-.006" (.076-.152mm). Use a standard (.127mm) feeler gauge. The feeler gauge should slide between the rocker arm and valve stem with a slight amount of resistance without binding.

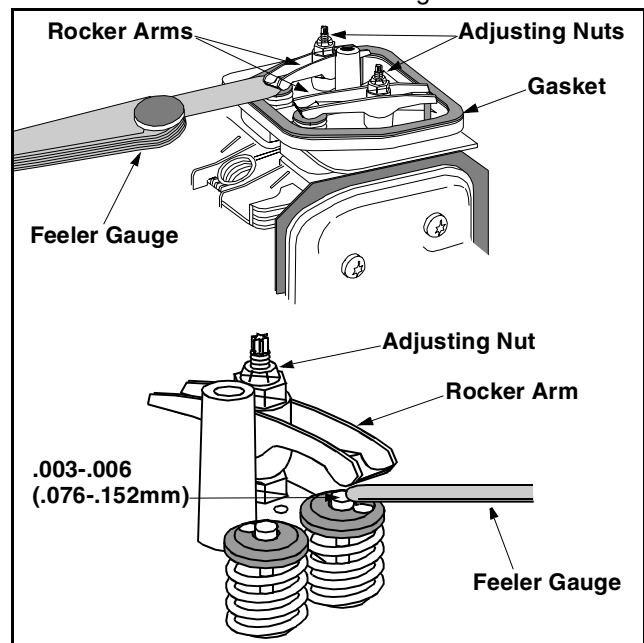


Figure 15

If the clearance is not within specification:

- Turn the adjusting nut using a 5/16" (8mm) wrench or nut driver.
- To increase clearance, turn the adjusting nut counterclockwise.
- To decrease clearance, turn the adjusting nut clockwise.
- Recheck both clearances and adjust as necessary.
- Reinstall the rocker arm cover using a new gasket. Torque the screw to 20-30in-lb (2.2-3.4 Nm).
- Reinstall the engine cover and check alignment of the cover before tightening the screws.
- Replace the muffler cover and slip the long tabs on the cover into the engine cover. Slide the notches on the side of muffler cover over the tabs on engine cover. Snap into place.
- Check spark plug, reinstall, and attach spark plug wire.

SERVICE AND STORAGE



WARNING: Do not at any time make any adjustment to the unit without first stopping engine and disconnecting spark plug wire.

Tine Removal and Replacement

NOTE: All four tines should be replaced at the same time, because they will wear evenly through normal use.

- Push the On/Off switch to Off (O) position to stop engine and tines and disconnect spark plug to avoid accidental starting.
- It may be necessary to lay the cultivator back in a horizontal position on a flat level surface with the upper handle touching the ground.
- Remove the click pin from each end of the tine shaft and slide the tines off the shaft.
- Slide new tines on with hubs facing out. The four tines are marked with letters A and B. Place one A and one B tine on the tine shaft. See Figure 16.
- Secure new tines to shaft with click pins.

NOTE: It may be necessary to wash the dirt off the tines and shaft for ease of removal.

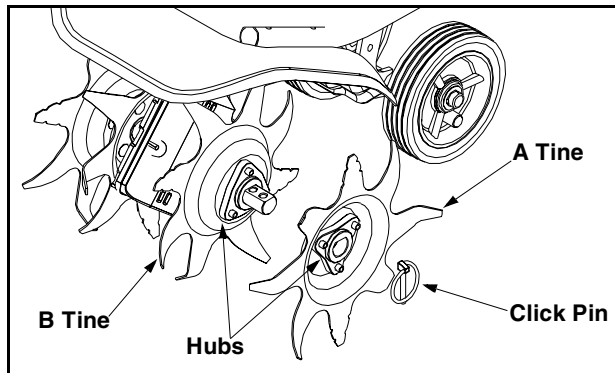


Figure 16

Storing Your Cultivator / Edger

- Thoroughly clean the unit and inspect for any loose or damaged parts. Repair or replace damaged parts and tighten loose screws, nuts, or bolts.
- Wipe equipment with a oiled rag to prevent rust.
- Never store the unit with fuel in the tank where fumes may reach an open flame or spark.
- Always store unit in cultivator mode (all four tines on unit) to avoid tip over.

Engine

If the unit will be stored for longer than 60 days:

- Clean engine by removing dirt and debris with a cloth or brush from cooling fins, air intake screen, levers, and linkage. This will help ensure adequate cooling engine speed.
- Drain all gasoline from the gas tank into a container and dispose in accordance with federal, state, and local regulations.
- Start the engine and allow it to run until it stalls. This ensures that all gasoline has been drained from the carburetor.
- Allow the engine to cool and remove the spark plug and put 1 oz. (30ml) of high quality motor oil into the cylinder. Pull the starter rope slowly to distribute the oil and reinstall the spark plug.

NOTE: Remove the spark plug and drain all of the oil from the cylinder before attempting to start the unit after storage.

- When changing oil, refer to the Maintenance section. Dispose of the oil in accordance with federal, state, and local regulations.
- Store unit in a clean, dry area. Do not store next to corrosive materials such as fertilizer.
- For more compact storage, store unit in the shipping position with the upper handle folded toward engine. See ASSEMBLY section for details.

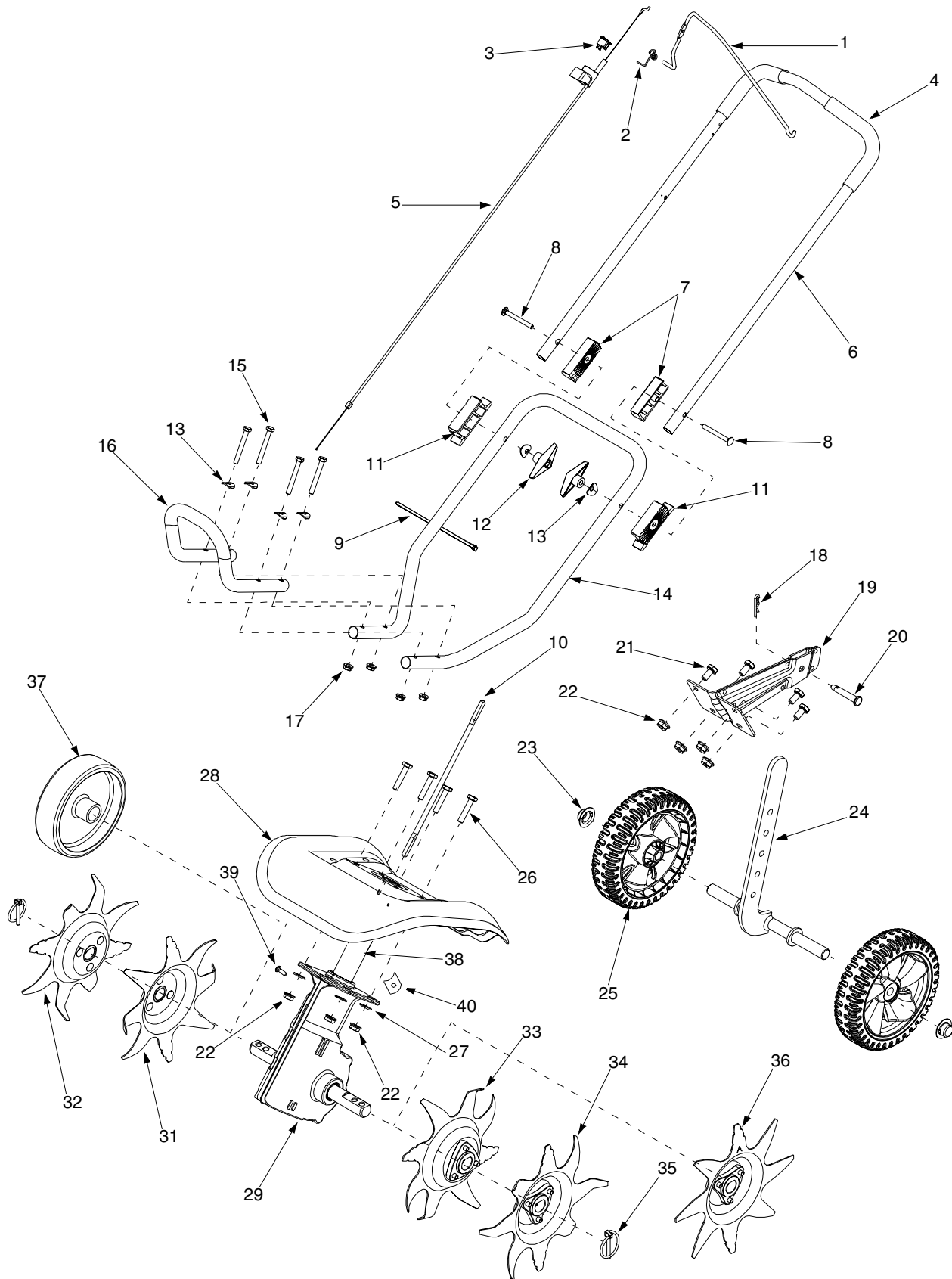
TROUBLESHOOTING

Problem	Cause	Remedy
Engine fails to start	<ol style="list-style-type: none"> 1. Spark plug wire disconnected. 2. Ignition switch is OFF (O). 3. Fuel tank empty or stale fuel. 4. Primer bulb wasn't pressed enough. 5. Engine flooded. 6. Faulty spark plug. 	<ol style="list-style-type: none"> 1. Connect wire to spark plug. 2. Turn switch to ON (I). 3. Fill tank with clean, fresh gasoline. 4. Press primer bulb fully and slowly 5-7 times. 5. Use starting procedure with choke lever in the Open (C) position. 6. Clean, adjust gap, or replace.
Engine flooded	<ol style="list-style-type: none"> 1. Too much gasoline primed through engine. 	<ol style="list-style-type: none"> 1. With the choke lever in the Open (C) position. 2. Squeeze the throttle control to the wide open position. 3. Place right foot on the right side of cultivator wheel. 4. Pull the starter rope briskly 3 to 5 times or until engine starts. 5. With tines off the ground, depress the throttle lever against the upper handle to increase engine speed and rotate tines.
Engine runs erratic	<ol style="list-style-type: none"> 1. Spark plug wire loose. 2. Blocked fuel line or stale fuel. 3. Vent in gas cap plugged. 4. Water or dirt in fuel system. 5. Dirty air filter. 6. Carburetor out of adjustment. 	<ol style="list-style-type: none"> 1. Connect and tighten spark plug wire. 2. Clean fuel line; fill tank with clean, fresh gasoline 3. Clear vent. 4. Drain fuel tank. Refill with fresh fuel. 5. Clean or replace air filter. 6. See qualified service center.
Engine overheats	<ol style="list-style-type: none"> 1. Engine oil level low. 2. Dirty air filter. 3. Carburetor not adjusted properly. 	<ol style="list-style-type: none"> 1. Fill crankcase with proper oil. 2. Clean or replace air filter. 3. See qualified service center.
Occasional skip (hesitates) at high speed	<ol style="list-style-type: none"> 1. Spark plug gap too close. 	<ol style="list-style-type: none"> 1. Adjust gap to .025".
Idles poorly	<ol style="list-style-type: none"> 1. Spark plug fouled, faulty or gap too wide. 2. Carburetor improperly adjusted. 3. Dirty air filter. 	<ol style="list-style-type: none"> 1. Reset gap to .025" or replace spark plug. 2. See qualified service center. 3. Clean or replace air filter.

NOTE: For repairs beyond the minor adjustments listed above, contact your nearest Sears service center or other qualified service center or call 1-800-4-MY-HOME®.

PARTS LIST

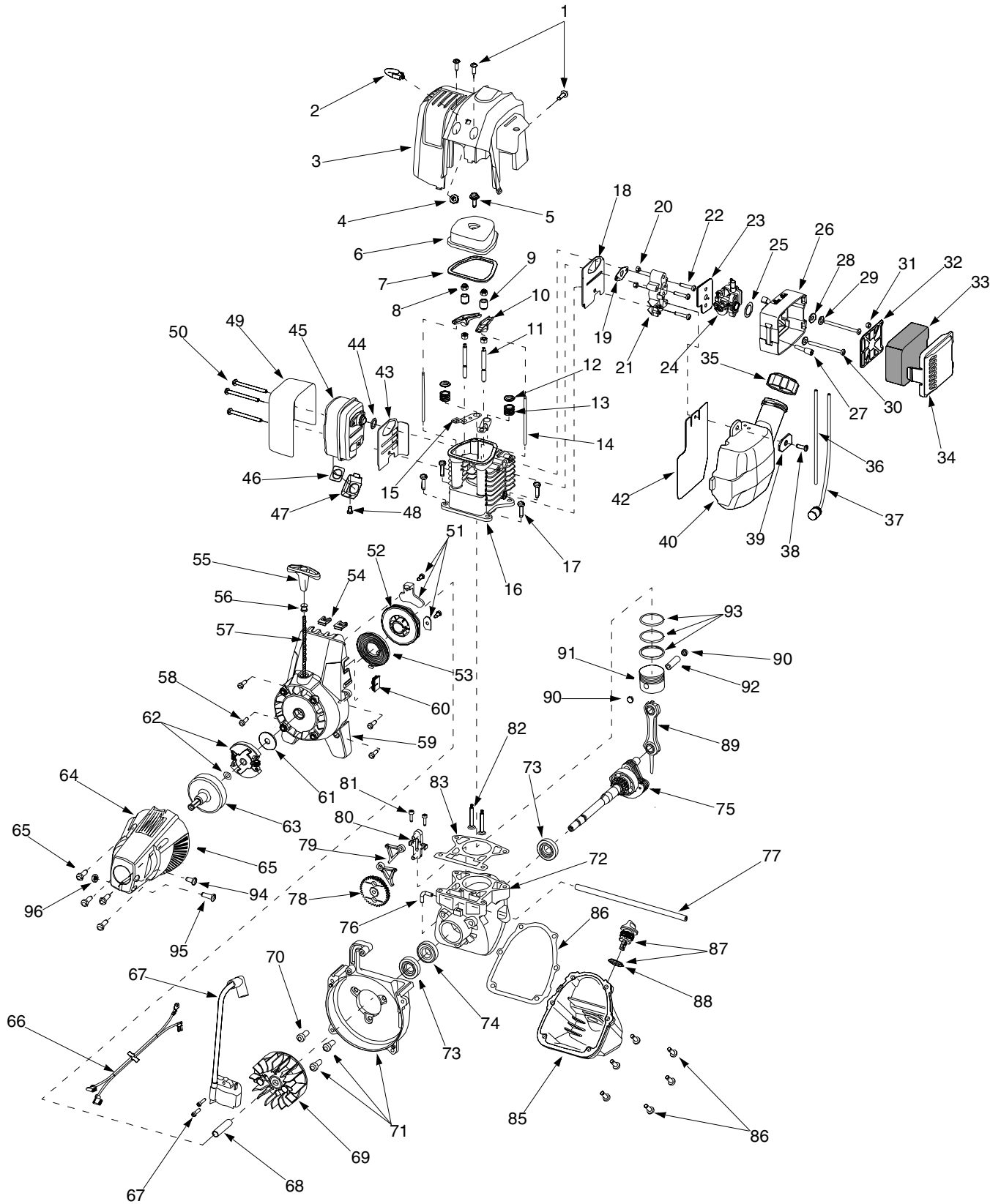
Sears Craftsman 4 Cycle Cultivator / Edger Model 316.29270



Sears Craftsman 4 Cycle Cultivator / Edger Model 316.29270

Ref. No.	Part No.	Part Description	Ref. No.	Part No.	Part Description
1.	753-04042	Throttle Control	21.	753-04060	Hex Cap Screw 1/4-20 x .50
2.	753-04043	Torsion Spring	22.	753-04061	Hex Lock Nut 1/4-20
3.	791-182673	On/Off Switch	23.	753-04062	Cap Push
4.	753-04044	Foam Grip	24.	753-04063	Wheel Support Bracket Assembly
5.	753-04045	Throttle Cable	25.	753-04064	Wheel 7.0
6.	753-04046	Upper Handle	26.	753-04065	Hex Cap Screw 1/4-20 x 1.75
7.	753-04047	Upper Handle Connector	27.	753-04066	Flat Washer .271 ID x .630 OD
8.	753-04048	Carriage Bolt 5/16-18 x 3.0	28.	753-04067	Tine Shield
9.	753-04049	Cable Tie	29.	753-04075	Gearbox
10.	791-181840	Drive Shaft	31.	753-04074	Inner Tine
11.	753-04050	Lower Handle Connector	32.	753-04073	Outer Tine
12.	753-04051	Wing Knob 5/16-18	33.	753-04072	Inner Tine
13.	753-04052	Shoulder Washer .320 ID x .93 OD	34.	753-04071	Outer Tine
14.	753-04053	Lower Handle	35.	753-04070	Click Pin
15.	753-04054	Hex Cap Screw 5/16-18 x 2.25	36.	753-04069	Edger Tine
16.	753-04055	Front Handle	37.	753-04068	Edger Wheel 5.0
17.	753-04056	Flange Lock Nut 5/16-18	38.	753-04076	Drive Shaft Housing
18.	753-04057	Cotter Pin	39.	753-04077	Gearbox Antirotation Screw
19.	753-04058	Tailpiece Bracket Assembly	40.	753-04078	Retainer Sleeve
20.	753-04059	Clevis Pin			

Sears Craftsman 4 Cycle Cultivator / Edger Model 316.29270



Sears Craftsman 4 Cycle Cultivator / Edger Model 316.29270

Ref. No.	Part No.	Part Description	Ref. No.	Part No.	Part Description
1.	791-182339	Engine Cover Screws	52.	753-1199	Recoil Pulley
2.	791-182651	Starter Rope Eyelet	53.	753-1236	Recoil Spring
3.	753-04028	Engine Cover	54.	791-182366	Nut Clip
4.	791-182652	Eyelet Nut	55.	791-181079	Pull Handle
5.	791-181025	Valve Cover Screw	56.	791-611061	Rope Guide
6.	791-182098	Valve Cover	57.	791-182661	Rope
7.	791-182099	Valve Cover Gasket	58.	791-181020	Starter Housing Screw
8.	791-182340	Rocker Adjustment Nut	59.	753-04038	Starter Housing Assy (incl. 51-58)
9.	791-182101	Rocker Arm Pivot	60.	791-182537	Wire Grommet
10.	791-182100	Rocker Arm	61.	791-182368	Clutch Washer
11.	791-182341	Rocker Arm Stud	62.	791-182369	Clutch w/ Washer
12.	791-182103	Valve Spring Retainer	63.	791-153592	Clutch Drum
13.	791-181038	Valve Spring	64.	753-1239	Clutch Cover
14.	791-181033	Push Rod	65.	791-181345	Clutch Cover Screw
15.	791-182102	Push Rod Guide	66.	753-04039	Switch Assembly
16.	791-182700	Cylinder Head (incl. 11& 15)	67.	791-182725	Ignition Module w/ Screws
17.	791-182344	Cylinder Screw	68.	791-181065	Spacer
18.	753-1226	Intake Baffle	69.	791-182736	Flywheel
19.	791-182749	Carburetor Mount Gasket	70.	791-181861	Screw
20.	791-181034	Nut	71.	791-182743	Shroud Assembly w/ Screws
21.	753-04029	Carburetor Mount (incl 20)	72.	791-182376	Crankcase Assembly
22.	791-182348	Carburetor Mount Screw	73.	791-610309	Oil Seal
23.	791-182732	Carburetor Gasket	74.	791-182372	Bearing
24.	791-182654	Carburetor w/ Primer	75.	791-182380	Crank Shaft
25.	753-04030	Air Filter Gasket	76.	791-182375	90° Elbow
26.	791-182655	Filter Cover Assy (incl. 27,28,31-34)	77.	791-182379	Breather Hose
27.	791-182097	Breather Tube Assembly	78.	791-181015	Cam Gear
28.	791-181000	Grommet Washer	79.	753-1242	Cam Follower Set
29.	791-182409	Washer	80.	791-181013	Cam Bracket
30.	791-181750	Carburetor Stud	81.	791-181012	Cam Bracket Screw
31.	753-04032	Keps Nut	82.	791-181040	Intake & Exhaust Valves
32.	791-182657	Air Filter Plate	83.	791-182374	Cylinder Gasket
33.	791-182658	Air Filter	84.	791-181018	Oil Pan Gasket
34.	791-182659	Air Filter Cover	85.	791-182377	Oil Pan (Includes 84 & 86)
35.	753-04033	Fuel Cap	86.	791-181020	Oil Pan Screw
36.	791-182352	Fuel Return Line	87.	753-04041	Dipstick Assembly
37.	791-182353	Fuel Pick-up Line w/ Filter	88.	791-182290	O-Ring
38.	791-181080	Screw	89.	791-181009	Connecting Rod
39.	791-182354	Washer	90.	791-181008	Wrist Pin Button
40.	753-04034	Fuel Tank Assy (Incl. 35-37)	91.	753-1243	Piston
41.	753-04035	Fuel Tank Bushing	92.	791-181006	Wrist Pin
42.	791-182356	Fuel Tank Shield	93.	791-182295	Piston Ring Set
43.	753-1232	Muffler Baffle	94.	791-182519	Antirotation Screw
44.	791-181048	Muffler Gasket	95.	753-1240	Screw
45.	753-04036	Muffler	96.	753-1241	Nut
46.	791-180890	Spark Arrestor Screen	*	753-1245	Short Block (5-13, 15, 16, 71-83, 89-93)
47.	753-04037	Screen Cover	*	791-182745	Cylinder Assembly
48.	791-181046	Screw	*	791-182156	Carburetor Repair Kit
49.	753-1233	Muffler Shield	*	753-1248	Gasket Diaphragm Repair Kit
50.	791-182361	Muffler Mounting Screw	*	791-180852B	Spark Plug
51.	791-181247	Palnut			

* Parts Not Shown

Emission Warranty Statement

California / EPA emission control Warranty Statement

The California air resources board, EPA (Environmental Protection Agency), and Sears are pleased to explain the mission control system warranty on your 2000 and later small off-road engine. In California and the 49 states, new small off-road engines must be designed, built and equipped to meet the states stringent anti-smog standards. Sears must warrant the emission controls system on your small off-road engine for the periods of time listed below provided there has been no abuse, neglect or improper maintenance of your small off-road engine.

Your emission control system may include parts such as the carburetor or fuel-injection system, the ignition system, and catalytic converter. Also included may be hoses, belts, connectors, and other emission-related assemblies.

Where a warrantable condition exists, Sears will repair your small off-road engine at no cost to you, including diagnosis, parts, and labor.

The 2000 and later small off-road engines are warranted for two years. If any emission-related part on your engine is defective, the part will be repaired or replaced by Sears.

Owner's Warranty Responsibilities:

As the small off-road engine owner, you are responsible for the performance of the required maintenance listed in your operator's manual. Sears recommends that you retain all receipts covering maintenance on your small off-road engine, but Sears cannot deny warranty solely for the lack of receipts or for your failure to ensure the performance of all scheduled maintenance.

As the small off-road engine owner, you should however be aware that Sears may deny you warranty coverage if your small off-road engine or a part has failed due to abuse, neglect, improper maintenance or unapproved modifications.

You are responsible for presenting your small off-road engine to a Sears service center as soon as a problem exists. The warranty repairs should be completed in a reasonable amount of time, not to exceed 30 days.

Manufacturer's Warranty Coverage:

The warranty period begins on the date the engine or equipment is delivered to the retail purchaser.

The manufacturer warrants to the initial owner and each subsequent purchaser, that the engine is free from defects in material and workmanship which cause the failure of a warranted part for a period of two years.

Repair or replacement of warranted part will be performed at no charge to the owner at a Sears service center.

Any warranty part which is not scheduled for replacement, as required maintenance or which is scheduled only for regular inspection to the effect of "repair or replace as necessary" is warranted for the warranty period. Any warranted part which is scheduled for replacement as required maintenance will be warranted for the period of time up to the first scheduled replacement point for that part.

The owner will not be charged for diagnostic labor which leads to the determination that a warranted part is defective, if the diagnostic work is performed at a Sears service center.

The manufacturer is liable for damages to other engine components caused by the failure of a warranted part still under warranty.

Failures caused by abuse, neglect, or improper maintenance are not covered under warranty.

The use of add-on or modified parts can be grounds for disallowing a warranty claim. The manufacturer is not liable to cover failures of warranted parts caused by the use of add-on or modified parts.

In order to file a claim, go to your nearest Sears service center. Warranty services or repairs will be provided at all authorized Sears service centers.

Any manufacturer approved replacement part may be used in the performance of any warranty maintenance or repair of emission related parts and will be provided without charge to the owner. Any replacement part that is equivalent in performance or durability may be used in non-warranty maintenance or repair and will not reduce the warranty obligations of the manufacturer.

The following components are components are included in the emission related warranty of the engine air filter, carburetor, primer, fuel lines, fuel pick up/fuel filter, ignition module, spark plug and muffler.

ÍNDICE

Índice de materias	Página	Índice de materias	Página
Garantía	19	Servicio y almacenamiento	32
Seguridad	20	Solución de problemas	33
Montaje	23	Lista de las piezas	14
Funcionamiento	24		
Mantenimiento	28		

GARANTÍA

Garantía limitada de la cultivadora/ bordeadora Craftsman

Por un período de dos (2) años a partir de la fecha de compra, con la condición de que a este equipo Craftsman se le realiza el mantenimiento, la lubricación y ajustes de acuerdo con las instrucciones que aparecen en el manual del operador', Sears llevará a cabo reparaciones o reemplazos necesarios sin cargo cualquiera de las piezas que resulten defectuosas en sus materiales o fabricación. El servicio de garantía está disponible sin cargo si lleva su equipo Craftsman al Centro de Servicio Técnico de Sears más cercano. El servicio de garantía a domicilio está disponible pero se aplicará un cargo de traslado. Esta garantía es válida únicamente mientras el producto se encuentre dentro de los Estados Unidos.

Esta garantía no cubre:

- Artículos de duración limitada que sufren desgaste bajo condiciones normales de uso, tales como bujías de encendido, purificadores de aire, correas y filtros de aceite.
- Reemplazo o reparación de neumáticos debido a pinchaduras causadas por objetos externos, tales como clavos, espinas, tocones o vidrio.
- Reparaciones necesarias debido al abuso del operador, incluyendo pero sin limitarse a daño causado por objetos, tales como piedras o desechos de metal, troncos de un tamaño demasiado grande, objetos que hacen impacto que puedan doblar la estructura o el cárter o puedan sobreacelerar el motor.
- Reparaciones necesarias debido a negligencia del operador, incluyendo pero sin limitarse a daños eléctricos y mecánicos causados por almacenamiento incorrecto, falla en la calidad o cantidad del aceite de motor utilizado, o falla para mantener el equipo de acuerdo con las instrucciones contenidas en el manual del operador'.
- Limpieza o reparaciones del (sistema de combustible del) motor causadas por combustible que se encontró que estaba contaminado u oxidado (vencido). En general, el combustible debería ser utilizado **dentro de los 30 días** posteriores a la fecha de compra.
- Equipos utilizados para fines comerciales o de alquiler.

PARA UBICAR EL CENTRO DE SERVICIO TÉCNICO SEARS MÁS CERCANO O PARA PROGRAMAR EL SERVICIO TÉCNICO, SIMPLEMENTE COMUNÍQUESE CON SEARS AL TELÉFONO 1-800-4-MY-HOME®.

Esta garantía le otorga derechos legales específicos y también usted puede tener otros derechos, los cuales varían de un estado a otro.

ESPECIFICACIÓN DE PRODUCTO

Motor	4 Carrera	Número de Modelo... 316.29270
Tipo de aceite del motor	SAE 30	Número de Serie.....
Capacidad de aceite del motor	3.4 onzas líquidas	Fecha de compra.....
Capacidad de combustible:	Aproximadamente 1 cuarto	Guarde el número de serie y la fecha de compra en un lugar seguro para referencia futura.
Bujía	Champion RJ-19LM	
Separación de la bujía	.025" (0.655 mm)	

SEGURIDAD



ADVERTENCIA: La presencia de este símbolo indica que se trata de instrucciones importantes de seguridad que debe respetar para evitar poner en riesgo su seguridad personal y / o material y de otras personas. Lea y siga todas las instrucciones contenidas en este manual antes de intentar poner esta máquina en funcionamiento. De no hacerlo puede ocasionar lesiones. Cuando encuentre este símbolo - **respete la advertencia que aparece a continuación del mismo.**

ADVERTENCIA: El escape del motor de este producto contiene productos químicos que el estado de California considera que pueden producir cáncer, defectos de nacimiento u otros problemas reproductivos.

PELIGRO: Esta máquina está diseñada para ser utilizada respetando las reglas de seguridad contenidas en este manual. Al igual que con todos los equipos eléctricos si el operador es descuidado o comete errores puede ocasionar lesiones graves. Esta máquina puede amputar manos y pies y arrojar objetos. De no respetar las instrucciones de seguridad siguientes se pueden producir lesiones graves o la muerte.

Capacitación

1. Lea, comprenda y siga todas las instrucciones de la máquina y de el o los manuales antes de intentar montarla y operarla. Guarde este manual en un lugar seguro para referencias futuras y regulares y para solicitar repuestos.
2. Familiarícese con todos los controles y con el uso adecuado de los mismos. Sepa cómo detener la máquina y cómo desengranar los controles rápidamente.
3. Nunca permita que niños menores de 14 años operen esta máquina. Los niños de 14 años y más deben leer y comprender las instrucciones de operación y las reglas de seguridad contenidas en este manual y deben ser capacitados y supervisados por uno de los padres.
4. Nunca permita que adultos sin conocimientos acerca de la máquina operen la misma.
5. Mantenga a los transeúntes, ayudantes, mascotas y niños al menos a 50 pies de la máquina mientras está funcionando. Detenga la máquina si alguien entra en la zona.
4. Esta unidad tiene un embrague. Los dientes permanecen detenidos cuando el motor está inactivo. En caso de no ser así, haga ajustar la unidad con un servicio técnico autorizado.
5. Apriete el control de la mariposa y verifique que vuelva automáticamente a la posición inactiva.
6. Nunca deje la máquina en funcionamiento sin vigilancia.
7. Nunca intente hacer ajustes mientras la máquina está en funcionamiento, excepto que esté específicamente recomendado en el manual del operador.
8. Para evitar lesiones o daños sea sumamente cuidadoso al manipular la gasolina. La gasolina es altamente inflamable y los vapores son explosivos. Se puede lesionar gravemente si derrama gasolina sobre usted o sobre la ropa ya que se puede encender. Lave la piel y cámbiese de ropa de inmediato.
 - a. Utilice sólo recipientes para gasolina autorizados.
 - b. Apague todos los cigarrillos, cigarros, pipas y otras fuentes de combustión.
 - c. Nunca cargue combustible en la máquina en un espacio cerrado.
 - d. Nunca extraiga la tapa de nafta o agregue nafta mientras el motor está caliente o en funcionamiento.
 - e. Deje que el motor se enfríe por lo menos dos minutos antes de volver a cargar combustible.
 - f. Nunca recargue el tanque de combustible. Llene el tanque no más de 1/2 pulgada por debajo de la base del cuello del filtro para dejar espacio para la dilatación del combustible.
 - g. Vuelva a colocar la tapa de la gasolina y ajústela bien.
 - h. Limpie la gasolina derramada sobre el motor y el equipo. Traslade la máquina a

PREPARACIÓN

1. Revise minuciosamente la zona donde se utilizará el equipo. Quite las piedras, palos, alambres y otros objetos extraños que puedan desengancharse y causar lesiones.
2. Utilice zapatos de trabajo resistentes, de suela fuerte y pantalones y camisas ajustados. Las prendas sueltas o las alhajas pueden quedar atrapadas en las piezas móviles. Nunca opere esta máquina estando descalzo o con sandalias.
3. Use gafas de seguridad o gafas de protección que cumplan con las normas ANSI Z87.1 y protectores auditivos cuando opere esta unidad. Utilice una máscara para polvos si la operación de la máquina levanta polvo.

otra zona. Espere 5 minutos antes de encender el motor.

- i. Nunca almacene la máquina o el recipiente de combustible en un espacio cerrado donde haya fuego, chispas o luz piloto (por ejemplo, hornos, calentadores de agua, calefactores, secadores de ropa, etc.)
- j. Deje que la máquina se enfríe por lo menos 5 minutos antes de guardarla.

FUNCIONAMIENTO

1. No coloque las manos y los pies cerca de las piezas rotativas. El contacto con piezas rotativas puede amputar dedos, manos y pies.
2. No opere la máquina bajo la influencia del alcohol o las drogas.
3. Nunca opere esta máquina sin buena visibilidad o iluminación. Siempre debe estar seguro de que está bien afirmado y sostenga bien las manijas.
4. Mantenga a los transeúntes, ayudantes, mascotas y niños al menos a 50 pies de la máquina mientras está funcionando. Detenga la máquina si alguien entra en la zona.
5. Sea cuidadoso cuando cultive en terreno sólido. Los dientes pueden clavarse en la tierra y propulsar la cultivadora hacia adelante. Si esto ocurre, suelte la manija y no refrene la máquina.
6. Nunca opere la máquina a altas velocidades de transporte en superficies duras o resbaladizas.
7. Tenga cuidado para evitar que se produzcan resbaladuras o caídas.
8. Mire hacia abajo y hacia atrás y tenga cuidado cuando tire la máquina hacia usted.
9. Arranque el motor de acuerdo con las instrucciones del manual y aleje los pies de los dientes en todo momento.
10. Después de golpear con algún objeto extraño, detenga el motor, desconecte el cable de la bujía y conecte el motor a masa. Inspeccione minuciosamente para ver si la máquina está dañada. Repare el daño antes de arrancar y operar.
11. Desenganche todos los embragues y detenga el motor antes de dejar la posición de operación (detrás de la manija). Espere hasta que los dientes se detengan completamente antes de destrabarlos, hacer algún ajuste o inspecciones.
12. Nunca encienda el motor en espacios cerrados o en una zona poco ventilada. El escape del motor contiene monóxido de carbono, un gas inodoro y letal.
13. El silenciador y el motor se calientan y producen una quemadura. No los toque.
14. Tenga cuidado cuando cultiva cerca de vallas, edificios y servicios subterráneos. Los dientes rotativos pueden causar daños materiales o lesiones.
15. No sobrecargue la capacidad de la máquina

intentando cultivar el suelo a un nivel demasiado profundo o a un ritmo demasiado rápido.

16. Si la máquina arranca haciendo un sonido o una vibración rara, detenga el motor, desconecte el cable de la bujía y conéctelo a masa contra el motor. Inspeccione la máquina minuciosamente para ver si está dañada. Repare todos los daños antes de encender y operar la máquina.
17. Mantenga todas las pantallas, protectores y dispositivos de seguridad en su lugar y en correcto funcionamiento.
18. Nunca levante o transporte la máquina cuando está en movimiento.
19. Use sólo dispositivos de sujeción o accesorios disponibles en Sears. Si no lo hace, esto puede tener como resultado lesiones.
20. Si se presentan situaciones que no están previstas en este manual sea cuidadoso y use el sentido común. Contacte a su centro de servicio técnico Sears más cercano.

Mantenimiento y almacenamiento

1. Nunca manipule los dispositivos de seguridad de manera imprudente. Controle periódicamente que funcionen de forma adecuada.
2. Verifique frecuentemente que los pernos y tornillos estén ajustados correctamente para asegurarse de que la máquina esté trabajando de manera segura. Además realice una inspección visual de la máquina para controlar si la misma está dañada.
3. Antes de limpiar, reparar o revisar, detenga el motor y asegúrese de que los dientes y todas las partes móviles se hayan detenido. Desconecte el cable de la bujía y póngalo de manera que haga masa contra el motor para evitar que se encienda de manera accidental.
4. No cambie la configuración del regulador del motor ni lo opere a una velocidad demasiado elevada. El regulador controla la velocidad máxima segura de operación del motor.
5. Mantenga o reemplace las etiquetas de seguridad e instrucciones según sea necesario.
6. Siga las instrucciones de este manual para que la carga, descarga, transporte y almacenamiento de esta máquina sean seguros.
7. Nunca almacene la máquina o el recipiente de combustible en un espacio cerrado donde haya fuego, chispas o luz piloto como por ejemplo, calentadores de agua, hornos, secadores de ropa, etc.
8. Siempre remítase al manual del operador para obtener instrucciones adecuadas acerca del almacenamiento fuera de temporada.
9. Si es necesario evacuar el tanque de combustible, hágalo en exteriores.
10. Respete las leyes y reglamentaciones referentes a la disposición correcta de gas, aceite, etc. para proteger el medio ambiente.

Declaración de Garantía de Emisión

California / la emisión de MINISTERIO DEL MEDIO AMBIENTE controla la Declaración De la garantía la tabla(el consejo) de recursos de aire de California, el MINISTERIO DEL MEDIO AMBIENTE (la Agencia de protección de medio ambiente), y Chamusca están contento de explicar la garantía de sistema de centro de control sobre su 2000 y el pequeño motor posterior fuera de caminos. En California y los 49 estados, pequeños motores nuevos fuera de caminos deben ser diseñados, construidos y equipados para encontrar los estados normas de anti-niebla-tóxica rigurosas. Chamusca debe garantizar que la emisión controla el sistema sobre su pequeño motor fuera de caminos durante los períodos de tiempo puesto en una lista debajo proporcionado no hubo ningún abuso, negligencia o el mantenimiento impropio de su pequeño motor fuera de caminos.

Su sistema de control de emisión puede incluir partes como el carburador o el sistema de inyección de combustible, el sistema de ignición, y el catalizador. También incluido puede ser mangueras, cinturones, conectores, y otras ensamblajes relacionadas a emisión. Donde una condición justificable existe, Chamusca le reparará su pequeño motor fuera de caminos gratis, incluyendo el diagnóstico, partes, y el trabajo. Los pequeños motores 2000 y posteriores fuera de caminos son garantizados durante dos años. Si cualquier parte relacionada a emisión sobre su motor es defectuosa, la parte será reparada o substituida por Chamusca.

Las responsabilidades De la garantía del Dueño Como:

el pequeño dueño fuera de caminos de motor, usted es responsable del funcionamiento del mantenimiento requerido puesto en una lista en el manual de su operador. Chamusca recomienda que usted conserve todos los ingresos que cubren el mantenimiento sobre su pequeño motor fuera de caminos, pero Chamusca no puede negar la garantía únicamente para la carencia de ingresos o para su fracaso de asegurar el funcionamiento de todo el mantenimiento previsto. Como el pequeño dueño fuera de caminos de motor, usted sin embargo debería ser consciente que Chamusca puede negarle la cobertura de la garantía si su pequeño motor fuera de caminos o una parte han fallado debido al abuso, la negligencia, el mantenimiento impropio o modificaciones desaprobadas. Usted es responsable de presentar su pequeño motor fuera de caminos a un Chamusca el centro de reparaciones en cuanto un problema existe. La reparación de la garantía debería ser completada en una cantidad de tiempo razonable, no exceder 30 días.

La cobertura De la garantía del Fabricante:

el período de la garantía comienza el día el motor o el equipo es entregado al comprador de venta al público. El fabricante garantiza al dueño inicial y cada comprador subsecuente, que el motor es libre(gratis) de defectos en el material y la habilidad que causa el fracaso de una parte garantizada para el periodo de dos años. La reparación o el reemplazo(suplente) de la parte garantizada serán realizados gratis al dueño en un Chamusca el centro de reparaciones.

Cualquier parte de la garantía que no es programada para el reemplazo(suplente), como el mantenimiento requerido o que es programada sólo para la inspección regular al efecto " de la reparación o sustituye como es necesario " es garantizado durante el período de la garantía. CUALQUIER parte garantizada que es programada para el reemplazo(suplente) como el mantenimiento requerido será garantizada durante el periodo de tiempo hasta el primer punto de reemplazo(suplente) previsto para aquella parte. El dueño no será acusado para el trabajo diagnóstico que conduce a la determinación que una parte garantizada es defectuosa, si el trabajo diagnóstico es realizado en un Chamusca el centro de reparaciones.

El fabricante es obligado de daños a otros componentes de motor causados por el fracaso de una parte garantizada todavía conforme a la garantía. Los fracasos causados por el abuso, la negligencia, o el mantenimiento impropio no son cubiertos conforme a la garantía. El empleo de añade - sobre o las partes modificadas pueden ser tierras(razones) para rechazar una reclamación de la garantía. El fabricante no es obligado de cubrir los fracasos de las partes garantizadas causadas por el empleo de añaden - sobre o partes modificadas. Para presentar una demanda, ir a su cercano Chamusca el centro de reparaciones. Proporcionarán servicios de la garantía o la reparación en todo autorizado Chamusca centros de reparaciones.

Cualquier fabricante se aprobó la pieza de recambio puede ser usada en el funcionamiento de cualquier mantenimiento de la garantía o reparación de emisión partes relacionadas y proporcionará sin el precio(la carga) al dueño. Cualquier pieza de recambio que está equivalente en el funcionamiento o la durabilidad puede ser usada en el mantenimiento no-la-garantía o reparar y no reducirá las obligaciones de la garantía del fabricante. Los componentes siguientes son componentes son incluidos en la emisión la garantía relacionada del filtro de aire de motor, el carburador, la cartilla, canalizaciones, el pico de combustible encima de/combustible filtra, el módulo de ignición, la bujía y el silenciador.

MONTAJE

IMPORTANT: Esta unidad es enviada **sin gasolina ni aceite en el motor**. Después del montaje, consulte la sección de FUNCIONAMIENTO para el correcto llenado de combustible y aceite del motor.

NOTE: Desde la posición de funcionamiento, se observa la referencia a la derecha o a la izquierda de la cultivadora / bordeadora.

Cómo Sacar La Unidad De La Caja

- Saque las grapas, rompa el pegamento de las aletas superiores o corte la cinta del extremo de la caja y tire a lo largo de la aleta superior para abrir la caja.
- Enlevez toutes les parties lâches qui peuvent être incluses avec l'unité.
- Corte a lo largo de las esquinas, extienda la caja plana hacia abajo y saque el material de embalaje.
- Haga rodar o deslice la unidad fuera de la caja y revise minuciosamente la caja para controlar si hay piezas sueltas.

Parties Lâches dans Carton

- Le manuel d'Opérateur
- 3.4 Fl.oz. (100ml) Bouteille d'Huile-moteur
- Edger Roue
- Edger Lame

Desconexión De La Bujía

Antes de configurar la cultivadora / bordeadora, desconecte el cable de la bujía y conéctelo a masa a un espárrago en el motor.

Configuración de su cultivadora / bordeadora

- Afloje cada tuerca alada lo suficiente como para separar los conectores plásticos entre la manija superior e inferior. Eleve lentamente y tire de la manija superior para elevar la manija hacia la posición de funcionamiento. Vea Figura 1.
- Separe los conectores y ubique la punta inferior del conector de la manija superior enfrente de la punta inferior del conector de la manija inferior.
- El conector de la manija inferior tiene tres líneas marcadas y el conector de la de la manija superior tiene una línea marcada.

- Ubique los conectores que se alinean con la línea marcada en el conector superior con la línea marcada del medio en el conector inferior.
- Para asegurar la manija superior e inferior, ajuste las tuercas aladas y las arandelas (los pernos del carro deben estar alojados correctamente en la manija exterior y las ranuras deben alinearse entre los conectores).
- Si aún no lo ha hecho, ajuste el amarre del cable en el lado derecho de la manija.

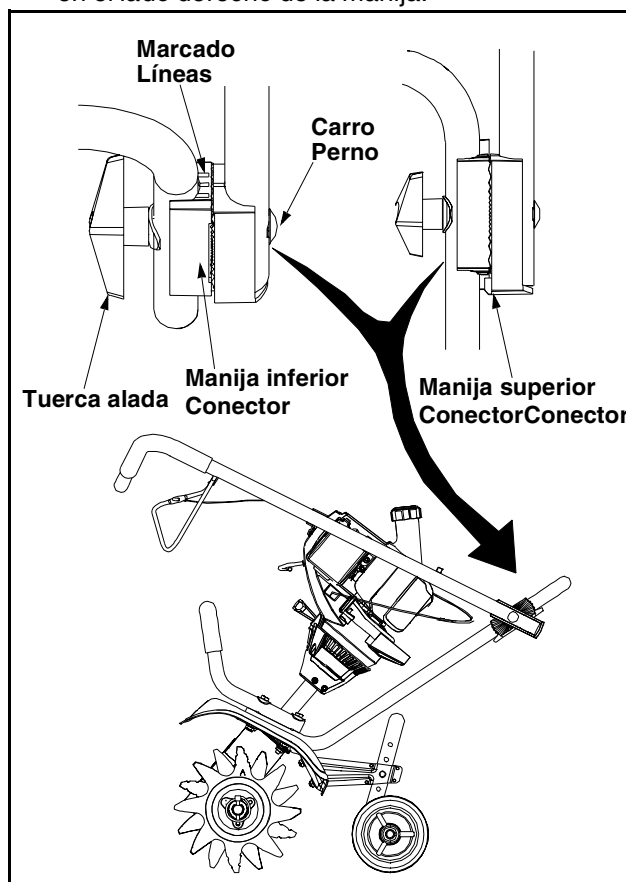


Figura 1

FUNCIONAMIENTO

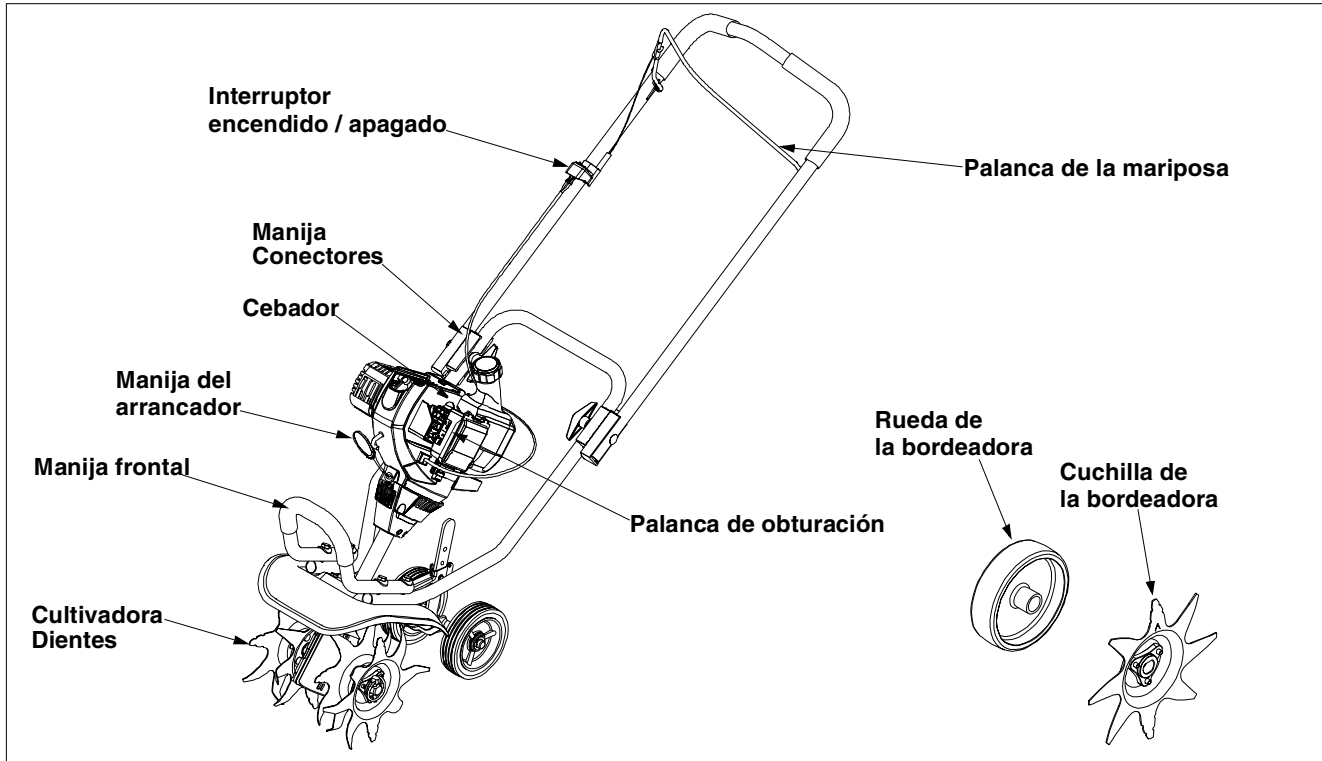


Figura 2

Lea este manual del operador y las reglas de seguridad antes de operar su cultivadora / bordeadora. Compare las ilustraciones con su unidad para familiarizarse con la ubicación de los distintos controles y ajustes. Vea Figura 2.

Manija del arrancador

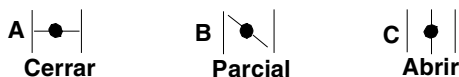
La manija del arrancador está conectada a un perno de anilla en el frente del motor.

Palanca de la mariposa

La palanca de la mariposa está ubicada en la manija superior. Al apretar la palanca contra la manija se acelera el motor y se engranan los dientes de la cultivadora / bordeadora. Suelte la manija para detener los dientes.

Palanca de obturación

La palanca de obturación está ubicada del lado izquierdo del motor y se utiliza para enriquecer la mezcla de combustibles cuando se arranca un motor en frío.



Botón del cebador

El botón del cebador está ubicado del lado derecho del motor y se utiliza en conjunto con el obturador para enriquecer la mezcla de combustible en el carburador cuando se arranca un motor en frío.

Interruptor encendido / apagado.

El interruptor encendido /apagado está ubicado en la manija superior. El interruptor debe estar en “Encendido” (I) para arrancar el motor y en “Apagado” (O) para detenerlo.

Conectores de manija

Los conectores de manija se ubican a ambos lados entre la manija inferior y superior. Se utilizan para trabar la manija superior en una posición determinada.

Manija frontal

La manija delantera puede ser usada transportando la unidad.

Dientes

Los dientes se utilizan para cultivar, surcar y preparar su jardín por la siembra.

Ménsula de soporte de la rueda

La ménsula de soporte de la rueda está conectada a la ménsula de la pieza posterior ubicada detrás de la cultivadora / bordeadora. Se utiliza para ajustar las ruedas a una posición de descanso mayor o menor.

Rueda y cuchilla de la bordeadora

La rueda y la cuchilla de la bordeadora son partes separadas que no vienen conectadas a la cultivadora/ bordeadora. Deben utilizarse en lugar de los dientes de la cultivadora para el recorte de bordes verticales.

Detención del motor

- Presione el interruptor encendido / apagado y colóquelo en posición Apagado (O) para detener el motor y los dientes.
- Desconecte el cable de la bujía y póngalo de manera que haga masa contra el motor.

Llenado de aceite

Es extremadamente importante utilizar el aceite del tipo y peso adecuado en el cárter. Controle el aceite antes de cada uso y cambie el aceite de manera regular. La no utilización del aceite correcto o el uso de aceite sucio puede causar un desgaste y una falla prematura del motor.

Use un aceite pesado de alta calidad SAE 30 de API (American Petroleum Institute) clase de servicio SF, SG, o SH.

NOTE: Esta unidad es enviada sin aceite en el motor. Con el objetivo de evitar daños a la unidad, coloque el aceite recomendado en el cárter antes de intentar arrancar la unidad.

Esta unidad se entrega con una botella de 3.4 onzas líquidas (100ml) de aceite SAE 30 SF, SG, o SH.

NOTE: Para el funcionamiento en clima frío, las temperaturas debajo de 40°F (4°C) usan un aceite pesado SAE 10W30 de API (American Petroleum Institute), clase de servicio SF, SG, o SH.

- Añadiendo el aceite, la unidad debe ser puesta atrás en la posición horizontal sobre una superficie plana con la manija superior que toca la tierra(razón). Vea Figura 3.

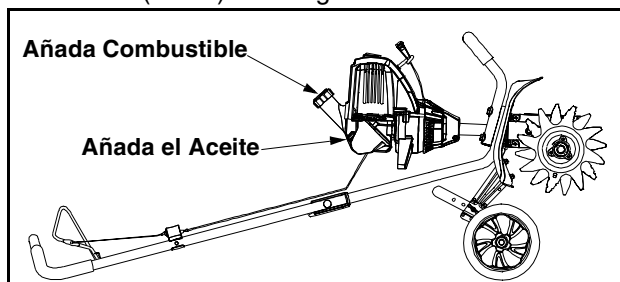


Figura 3

- Extraiga el tapón del aceite / varilla del nivel del aceite desde el cárter y vierta **3.4 onzas líquidas (100ml.)** de aceite dentro del orificio de llenado de aceite. Vea Figura 4.

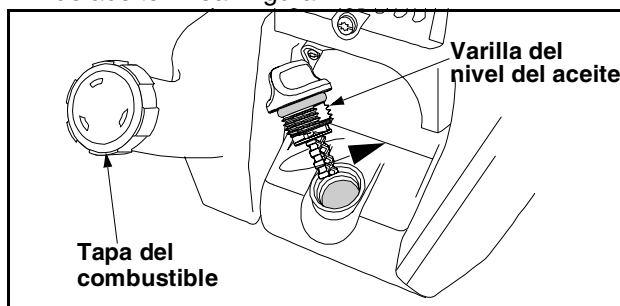


Figura 4

IMPORTANTE: La importancia de comprobación y el mantenimiento del nivel apropiado del aceite en el cárter del motor no puede ser puesta demasiado énfasis. **NO SOBRELLENAR.**

NOTE: Este es un motor de 4 ciclos. Para evitar dañar la unidad, **no mezcle aceite con gasolina.**

- Limpie el aceite que se pueda haber derramado y reinstale el tapón de llenado de aceite / varilla del nivel del aceite.

Llenado de nafta

La principal razón de un mal funcionamiento de la unidad es que el combustible sea viejo. Asegúrese de utilizar gasolina fresca, limpia y sin plomo. Use combustible fresco (que no tenga más de 60 días de vida), cuando utilice combustible con mezcla de alcohol.

- **Añadiendo el combustible, la unidad debería ser puesta atrás en la posición horizontal sobre una superficie plana.**
- Extraiga la tapa de combustible y extraiga la etiqueta del cuello del tanque de combustible. Consulte Figura 4.



ADVERTENCIA: Sea sumamente cuidadoso al manipular la gasolina. La gasolina es altamente inflamable y los vapores son explosivos. Nunca cargue combustible en la máquina en un espacio cerrado o cuando el motor está caliente o en marcha. Apague cigarrillos, cigarros, pipas y otras fuentes de ignición.

- Ubique el pico del recipiente de nafta en el agujero de llenado del tanque de combustible y llene el tanque.
- Limpie la gasolina que se pueda haber derramado y reinstale la tapa de combustible.
- Mueva la unidad al menos 30 pies (9.1m) de la fuente de combustible y del sitio antes de arrancar el motor.

Encendido del motor

- Conecte el cable de la bujía a la misma. Compruebe que la tapa metálica del extremo de la bujía esté bien ajustada sobre la punta metálica de la bujía.
- Presione el interruptor Encendido/ Apagado en la manija superior y muévelo a Encendido (I).
- Ubique la palanca de obturación en posición Cerrado (A). Vea Figura 5.
- Presione a fondo y luego suelte la bombilla del cebador lentamente 5 a 7 veces. Debe poder ver y sentir la gasolina en la bombilla. Presione el cebador algunas veces más, si no se nota la gasolina. Vea Figura 5.

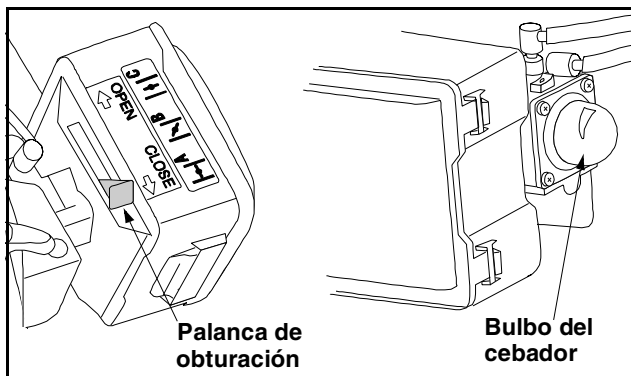


Figura 5

- Exprima el control de regulador a la posición abierta de par en par.
- Coloque el pie derecho sobre el lado derecho de rueda tiller.
- Tire de la soga del arrancador enérgicamente de 3 a 5 veces o hasta que el motor intente funcionar.
- Mueva el obturador a la posición Parcial (B).

NOTE: El motor no operará en la posición Cerrado (A).

- Tire nuevamente de la soga del arrancador de 1 a 3 veces hasta que el motor arranque.
- Mueva la palanca de obturación a posición Abierto (C).
- Con los dientes despegados del piso, baje la palanca de la mariposa contra la manija superior para aumentar la velocidad del motor y rotar los dientes.



ADVERTENCIA: Nunca encienda el motor en espacios cerrados o en una zona poco ventilada. El escape del motor contiene monóxido de carbono, un gas inodoro y letal. Mantenga las manos, los pies, el cabello y la vestimenta suelta alejados de los dientes rotativos.

Arranque de un motor en caliente

- Presione el interruptor de Encendido / apagado en la manija superior en Encendido (I).
- Mueva el obturador a la posición Parcial (B).
- Presione a fondo y luego suelte la bombilla del cebador lentamente 5 a 7 veces. Debe poder ver y sentir la gasolina en la bombilla. Presione el cebador algunas veces más, si no se nota la gasolina. Vea Figura 5.
- Exprima el control de regulador a la posición abierta de par en par.
- Coloque el pie derecho sobre el lado derecho de rueda tiller.
- Tire nuevamente de la soga del arrancador de 1 a 3 veces hasta que el motor arranque.
- Mueva la palanca de obturación a posición Abierto (C).

- Con los dientes despegados del piso, baje la palanca de la mariposa contra la manija superior para aumentar la velocidad del motor y rotar los dientes.

Utilización de su cultivadora



ADVERTENCIA: Nunca levante o transporte la máquina cuando está en movimiento. Podría tener como resultado lesiones graves.

- Mueva la cultivadora al área de trabajo antes de arrancar el motor. La cultivadora puede ser transportada empujando las ruedas o transportándola de las manijas.
- Arranque el motor de acuerdo con las instrucciones de la sección Arranque del motor.
- Con ambas manos en la manija superior y presionando el control de la mariposa, lentamente baje la cultivadora hasta que los dientes hagan contacto con el piso.
- Una vez que los dientes estén en el suelo, continúe cultivando a un paso moderado hasta que se haya familiarizado con los controles y el manejo del cultivador.
- Para ajustar la profundidad de cultivación, ajuste la ménsula del soporte de la rueda. Vea la sección Ajuste de la ménsula de la rueda.

Para el cultivo, se recomienda una profundidad de dos a tres pulgadas. Cuando trace las hileras de plantas, asegúrese de permitir que el ancho permita el cultivo entre las hileras. al.

Ajuste de la ménsula de soporte de la rueda

Para ajustar la ménsula de soporte de la rueda proceda de la siguiente manera:

- Detenga el motor y desconecte la bujía para evitar un arranque accidental.
- Extraiga la chaveta de retén de la chaveta de horquilla y deslice la chaveta hasta extraerla de la ménsula de la pieza posterior. Vea Figura 6.

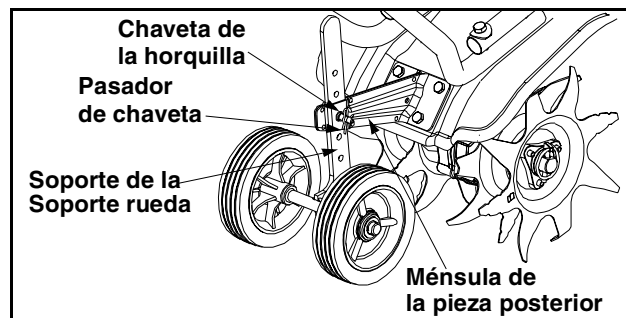


Figura 6

- Deslice la ménsula de soporte de la rueda hacia arriba o hacia abajo en la pieza posterior, alineando los orificios a la altura deseada.

- Ubique la chaveta de la horquilla a través del orificio y asegúrelo con una chaveta de retén.

Conexión de la rueda y de la cuchilla de la bordeadora

Para convertir la cultivadora en una bordeadora, siga los siguientes pasos:

- Presione el interruptor Encendido / apagado (O) para detener el motor y los dientes y desconecte la bujía para evitar un arranque accidental.
- Es posible que sea necesario ubicar la cultivadora/ bordeadora en posición horizontal en una superficie plana con la manija superior tocando el suelo.
- Extraiga la chaveta del trinquete de cada extremo del árbol del diente y deslice los dientes hasta extraerlos del árbol.
- Deslice la rueda de la bordeadora, con el buje mirando hacia adentro, en el lado derecho del árbol del diente y asegúrelo con la chaveta de trinquete en el orificio interior. Vea Figura 7.
- Deslice la cuchilla de la bordeadora con el buje mirando hacia el lado izquierdo del árbol del diente y asegúrelo con la chaveta de trinquete en el orificio interior. Vea Figura 7.

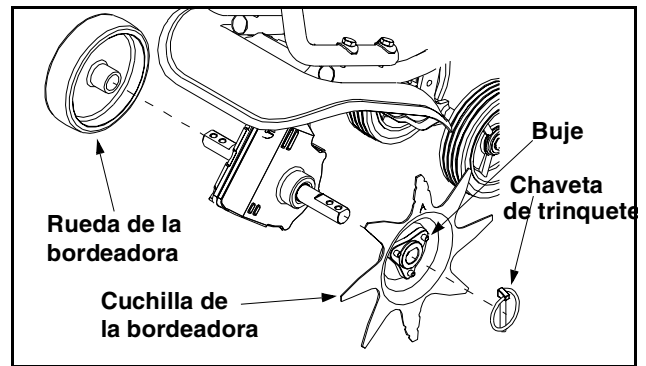


Figura 7

- Deslice la cuchilla de la bordeadora a lo largo del cantero, jardín, vereda o entrada con la rueda de la bordeadora a lo largo del borde exterior.

MANTENIMIENTO

MANTENIMIENTO PROGRAMACIÓN		Antes de cada uso	Después de cada uso	Primeras 10 horas	Cada 25 horas	Cada 50 horas	Antes del almacenamiento
MOTOR	Control del aceite del motor	✓					
	Cambio del aceite del motor			✓	✓		✓
	Limpiar el filtro de aire			✓	✓		
	Control de la bujía			✓	✓		
	Controle el dispositivo contra chispas				✓		
	Despacho de aduana de Balancín		✓				✓

NOTE: El mantenimiento, el reemplazo (suplente), o la reparación de los dispositivos de control de emisión y el sistema pueden ser realizados por cualquier establecimiento de reparación no-del-camino de motor, el distribuidor de servicio individual o autorizado.

Para asegurar el funcionamiento máximo de su motor, la inspección del puerto de gases de combustión de motor puede ser necesaria después de 50 horas de operación. Si usted nota REVOLUCIONES POR MINUTO perdidas, el funcionamiento pobre, o la carencia general de aceleración, este servicio puede ser requerido. Si usted siente que su motor es la necesidad de esta inspección, referirse a un Chamusca el centro de reparaciones. **NO intente** realizar este proceso usted mismo como el daño de motor puede ser resultado de contaminantes involucrados en el proceso de limpieza para el puerto.



ADVERTENCIA: Siempre detenga el motor y desconecte la bujía antes de limpiar o de hacer algún tipo de mantenimiento en su cultivadora/bordeadora.

Cambio de aceite



ADVERTENCIA: Para evitar un desgaste y daño extensivo al motor de la unidad, siempre mantenga el nivel de aceite adecuado en el cárter. Nunca opere la unidad con el nivel de aceite debajo del fondo de la varilla del nivel de aceite.

- Detenga el motor y permita que el aceite drene en el cárter.
- **Comprobando el aceite, la unidad debería ser puesta atrás en la posición horizontal sobre una superficie plana.** Vea Figura 8.

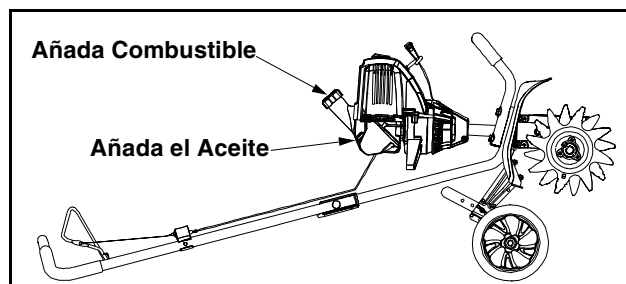


Figura 8

- Evite que la suciedad y los desechos ingresen al motor. Limpie el área alrededor del tapón de llenado de aceite / varilla del nivel del aceite antes de extraerlo.
- Extraiga el tapón de llenado de aceite / varilla del nivel del aceite y limpie el aceite. Reinsértelo.
- Extraiga el tapón de llenado de aceite / varilla del nivel del aceite y controle el nivel de aceite. El aceite debe estar arriba en la parte superior de la varilla del nivel del aceite. Remítase a Figura 4.
- Si el nivel es bajo, agregue una pequeña cantidad de aceite al orificio de llenado de aceite y vuelva a controlarlo. Repita el procedimiento hasta que el nivel de aceite alcance la parte superior de la varilla del nivel del aceite. Vea Figura 9.

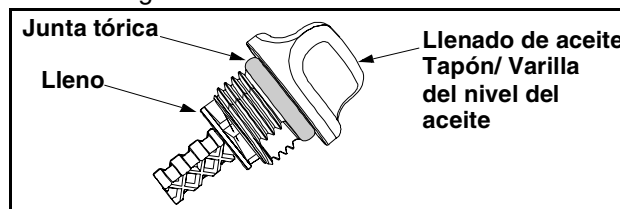


Figura 9

NOTE: Asegúrese de que la junta tórica esté en su lugar en el tapón de llenado de aceite / varilla del nivel del aceite cuando se controla y cambia el aceite

Cambio de aceite

- Extraiga el tapón de llenado de aceite / varilla del nivel del aceite.
- Incline o aleje la unidad del filtro de aire para vaciar el aceite del orificio de llenado de aceite en un recipiente.
- Limpie los desechos de aceite en la unidad y limpie el aceite que se pueda haber derramado. Deshágase del aceite de acuerdo con las regulaciones federales, estatales y locales.
- **Añadiendo el aceite, la unidad debería ser puesta atrás en la posición horizontal sobre una superficie plana.** See Figura 8.
- Vuelva a llenar el cárter con aceite de **3.4 onzas líquidas (100 ml.)** de SAE 30 SF, SG, o SH.
- Vuelva a colocar el tapón de llenado de aceite / varilla del nivel del aceite.

Mantenimiento del filtro de aire

- Abra la tapa del filtro de aire del lado del motor presionando la lengüeta del lado izquierdo hacia adentro y girando la tapa del filtro de aire hacia adentro y hacia afuera. Vea Figura 10.
- Elimine el filtro de aire y la pantalla.

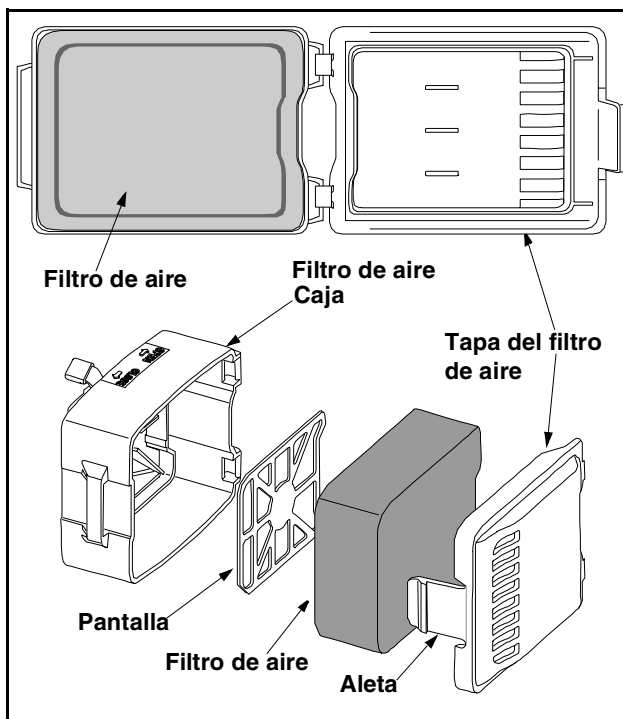


Figura 10

- Lave el filtro con agua y detergente. Enjuague minuciosamente el filtro y déjelo secar.
- Aplique aceite de motor limpio SAE 30 suficiente como para revestir el filtro y apriete el filtro para esparcir y extraer el aceite en exceso.
- Reemplace la pantalla y el filtro.

- Ubique los ganchos del lado derecho de la tapa del filtro de aire en las ranuras que se ubican en el lado derecho del alojamiento del filtro de aire.
- Gire la tapa hacia la izquierda hasta que la lengüeta en la tapa del filtro de aire encaje a presión en la ranura.

Ajuste del carburador

Si el motor no funciona en marcha lenta, vacila o pierde aceleración o si hay una pérdida de potencia del motor lleve el carburador a un centro de servicio técnico Sears para que lo ajusten correctamente.

Reemplazo de la bujía

Se debe extraer la bujía y controlarla cada 25 horas de funcionamiento. Para reemplazar la bujía respete los siguientes pasos:

- Detenga el motor y deje que se enfríe. Tome firmemente el hilo de clavija y tire de la tapa desde la bujía.
- Limpie la suciedad alrededor de la bujía y extraiga la bujía desde la cabeza de cilindro girando en rotación contraria a la agujas del reloj utilizando un casquillo.
- Configure la separación de aire a 0.025 en (0.655 mm.) usando un calibrador de separaciones. Vea Figura 11.
- Instale una bujía con la separación correcta en la cabeza del cilindro y ajústela girando el casquillo en sentido de las agujas del reloj hasta que esté ceñido. No ajuste demasiado.

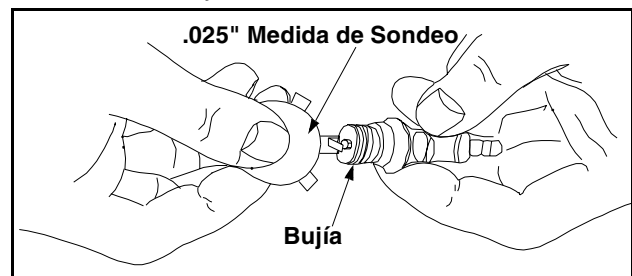


Figura 11

Mantenimiento del dispositivo contra chispas

- Extraiga la tapa del silenciador, en caso de estar equipada, presionando hacia abajo en la esquina con un destornillador de paleta plana. Deslice las muescas a cada lado de la tapa del silenciador sobre las lengüetas en la tapa del motor y extráigala.
- Extraiga el tornillo conectando la tapa del dispositivo contra chispas al silenciador. Vea Figura 12.
- Tire de la lengüeta en la tapa del dispositivo contra chispas del silenciador y extraiga la tapa del dispositivo contra chispas.

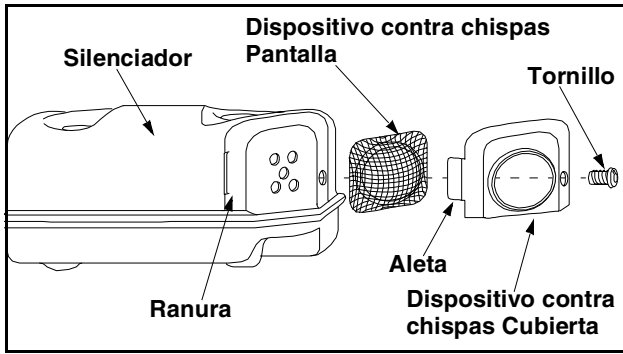


Figura 12

- Extraiga la pantalla del dispositivo contra chispas de la tapa del dispositivo contra chispas.
- Limpie la pantalla del dispositivo contra chispas con un cepillo de alambre o reemplace la pantalla.
- Reinstale la pantalla del dispositivo contra chispas, tapa del dispositivo contra chispas y tornillo.

Despacho de aduana de Balancín

Esto requiere el desmontaje del motor. Si usted siente inseguro o descalificado realizar este ajuste, toma la unidad a un Chamusca el centro de reparaciones.

NOTE: Inspeccione la válvula al despacho de aduana de balancín con una medida de sondeo después de las 10 primeras horas de operación y luego cada 50 horas de operación a partir de entonces.

IMPORTANTE: El motor debe ser frío comprobando o ajustando el despacho de aduana de válvula. Esta tarea debería ser realizada dentro en un limpio y el polvo el área libre(gratis). Una junta nueva debe ser usada en este ajuste. Una junta de balancín nueva (la parte * 791-182099) puede ser comprada de su Chamusca el centro de reparaciones.

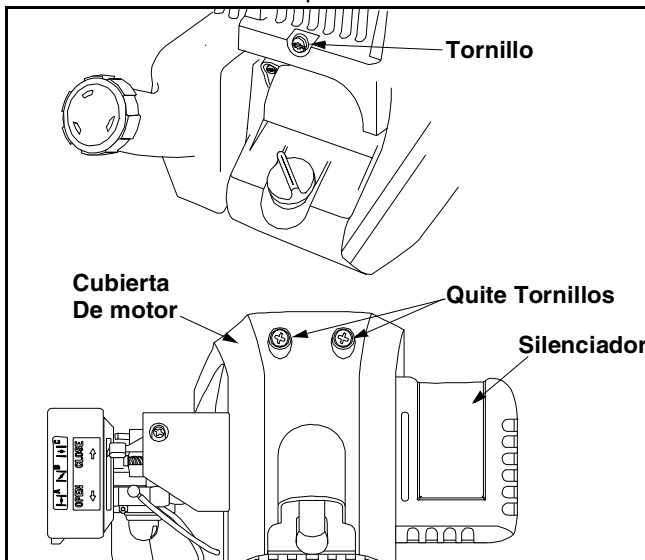


Figura 13

- Quite la cubierta de silenciador por haciendo presión sobre la esquina con un destornillador de lámina plano. Deslícese las muescas sobre los

lados del silenciador cubren las etiquetas sobre la cubierta de motor y quitan.

- Quite los dos tornillos sobre la cima de la cubierta de motor con un destornillador phillips. Vea Figura 13.
- Quite el tornillo sobre atrás de la cubierta de motor.
- Desconecte el cable de bujía y limpie la suciedad alrededor del enchufe. Quite la bujía de la culata por girando un 5/8 " el enchufe en sentido contrario a las agujas del reloj.
- Cubierta de motor de removedor.

NOTE: Tire la cuerda de arrancador de un poco para dar unos haraganean y aliviar el retiro de la cubierta de motor.

- La suciedad limpia de alrededor del balancín cubre y quita el tornillo que sostiene la cubierta de balancín con un destornillador de lámina grande plano o Torx T25 el bit. Vea Figure 14.
- Quite la cubierta de balancín y la junta.

Tire la cuerda de arrancador despacio para traer el pistón a la cima de sus viajes. Asegurar:

- El pistón debería estar en lo alto de sus viajes mirando en la bujía el agujero. Vea Figure 14.
- Ambos balancines deberían moverse libremente y ambas válvulas están cerradas.

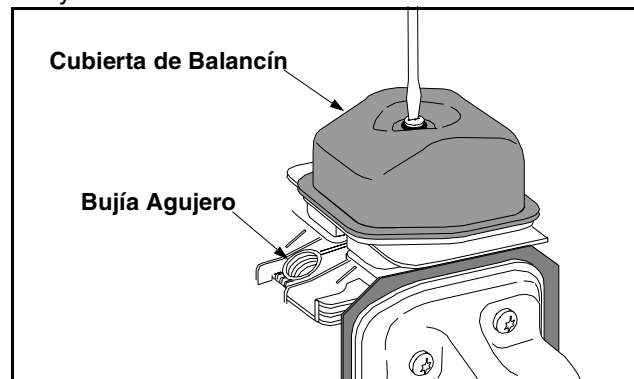


Figure 14

Si no, repita este paso.

- Deslice la medida de sondeo entre el balancín y el muelle recuperador de válvula. Mida el despacho de aduana entre el tallo de válvula y el balancín. Haga tanto entrada como válvulas de escape.

El despacho de aduana recomendado ambos para la entrada como para gases de combustión es .003-.006" (.076-.152mm). Use un estándar (.127mm) la medida de sondeo. La medida de sondeo debería deslizarse entre el balancín y el tallo de válvula con una cantidad leve de resistencia sin la encuadernación.

Si el despacho de aduana no es dentro de la especificación:

- Gire la tuerca que se adapta y usa un 5/16 " (8mm) el conductor de tuerca o el tirón(la torcedura).

- Para aumentar el despacho de aduana, gire la tuerca que se adapta en sentido contrario a las agujas del reloj. Vea Figura 15.
- Para disminuir el despacho de aduana, gire la tuerca que se adapta en el sentido de las agujas del reloj. Vea Figura 15.

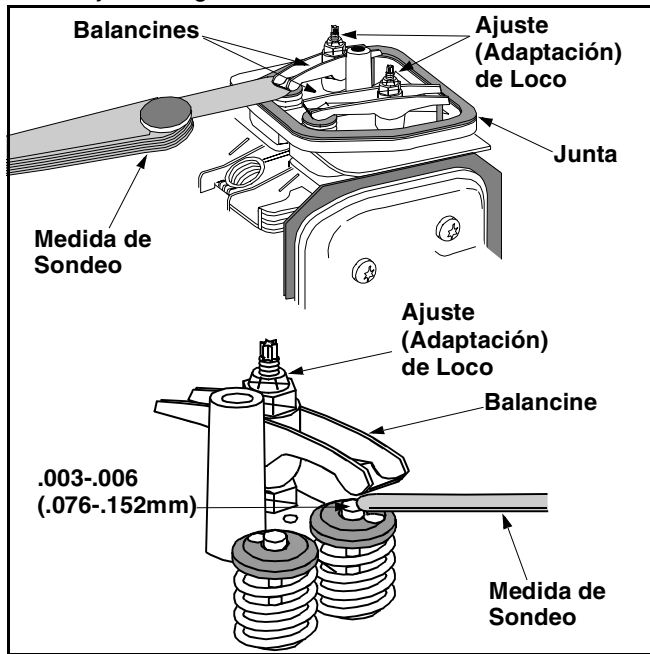


Figura 15

- Compruebe de nuevo ambos despachos de aduana y adáptese como es necesario.
- Instale de nuevo la cubierta de balancín que usa una junta nueva. Momento de rotación el tornillo a 20-30in-lb (2.2-3.4 Nm). Junta
- Instale de nuevo la cubierta de motor y la alineación de comprobación de la cubierta antes del apretamiento de los tornillos.
- Sustituya la cubierta de silenciador y el resbalón las etiquetas largas sobre la cubierta en la cubierta de motor. Deslícese las muescas sobre el lado de silenciador cubren las etiquetas sobre la cubierta de motor. Chasquido en lugar.
- Compruebe la bujía, instale de nuevo, y adjunte el cable de bujía.



WARNING: Bajo ninguna circunstancia realice ningún tipo de ajuste a la unidad sin detener el motor y desconectar el cable de la bujía con anterioridad.

Extracción y reemplazo de los dientes

NOTE: Los cuatro dientes deben ser reemplazados al mismo tiempo, debido a que se desgastan de manera pareja durante el uso normal.

- Presione el interruptor Encendido/ Apagado a posición Apagado (O) para detener el motor y los dientes y desconecte la bujía para evitar el arranque accidental.
- Puede ser necesario colocar la cultivadora en posición horizontal sobre una superficie plana con la manija superior tocando el suelo.
- Extraiga la chaveta de trinquete de cada extremo del árbol del diente y deslice los dientes hacia afuera del árbol.
- Deslice los nuevos dientes con el buje mirando hacia afuera. Los cuatro dientes están marcados con letras A y B. Ubique un diente A y un diente B en el árbol del diente. Vea Figura 16.
- Asegure los nuevos dientes al árbol con chavetas de trinquete.

NOTE: Es posible que sea necesario lavar la suciedad de los dientes y el árbol para que sea más fácil extraerlos.

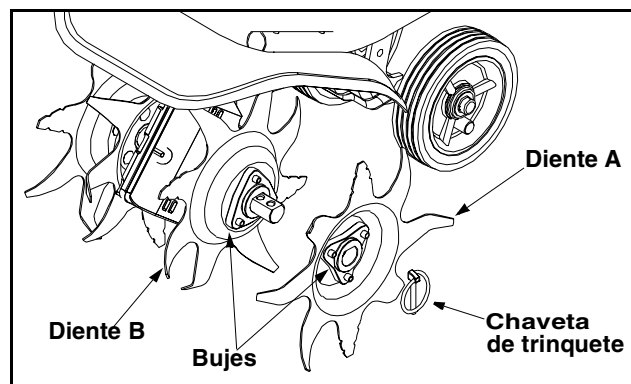


Figura 16

Almacenamiento de la cultivadora / bordeadora

- Limpie minuciosamente la unidad e inspeccione si hay alguna pieza suelta o dañada. Repare o reemplace las piezas dañadas y ajuste los tornillos, tuercas o pernos sueltos.
- Limpie el equipo con un trapo con aceite para evitar que se oxide.
- Nunca guarde la unidad con combustible en el tanque donde los gases puedan alcanzar una llama o chispa.

Motor

Si la unidad estará almacenada por un período superior a los 60 días:

- Limpie el motor por quitando la suciedad y ruinas con un paño o el cepillo de refrescar aletas, la pantalla de toma de aire, palancas, y el acoplamiento. Esto ayudará asegurar el régimen del motor de refrigeración adecuado.
- Drene toda la gasolina del tanque de nafta en un recipiente y deshágase del combustible de acuerdo con las regulaciones federales, estatales y locales.
- Arranque el motor y déjelo correr hasta que se detenga. Esto asegura que toda la gasolina haya sido drenada del carburador.
- Deje que el motor se enfríe y extraiga la bujía y coloque 1 onza (30ml) de aceite para motor de alta calidad en el cilindro. Tire lentamente de la soga del arrancador para distribuir el aceite y reinstale la bujía.

NOTE: Extraiga la bujía y drene todo el aceite del cilindro antes de intentar arrancar la unidad después del almacenamiento.

- Cuando cambie el aceite, remítase a la sección de Mantenimiento. Deshágase del aceite de acuerdo con las regulaciones federales, estatales y locales.
- Almacene la unidad en una zona limpia y seca. No la almacene cerca de materiales corrosivos como por ejemplo fertilizantes.
- Siempre unidad de tienda en modo de cultivador (todos los cuatro dientes sobre unidad) para evitar punta(consejo) ove.
- Para que haya un mayor almacenamiento compacto, almacene la unidad en la posición de envío con la manija superior doblada hacia el motor. Vea la sección MONTAJE para obtener mayores detalles.

SOLUCIÓN DE PROBLEMAS

Problema	Causa	Solución
El motor no arranca	<ol style="list-style-type: none"> 1. Se ha desconectado el cable de la bujía. 2. El interruptor de ignición está APAGADO (O). 3. El tanque de combustible está vacío o el combustible es viejo. 4. La bombilla del cebador no está presionada lo suficiente. 5. Motor inundado. 6. La bujía no funciona correctamente. 	<ol style="list-style-type: none"> 1. Conecte el cable a la bujía. 2. Gire el interruptor a posición ENCENDIDO (I). 3. Llene el tanque con gasolina limpia y fresca. 4. Presione totalmente la bombilla del cebador lentamente de 5 a 7 veces. 5. Use el procedimiento de arranque con la palanca de obturación en la posición Abierto (C). 6. Límpiela, ajuste la distancia disruptiva o cámbiela.
Motor inundado	<ol style="list-style-type: none"> 1. Demasiada gasolina cebada a través del motor. 	<ol style="list-style-type: none"> 1. Con la palanca de obturación en posición Abierto (C). 2. Squeeze l'accélérateur contrôlent à la position grande ouverte. 3. Placez le pied juste sur le côté juste de roue de laboureur(barre). 4. Tire de la soga del arrancador enérgicamente de 3 a 5 veces o hasta que el motor intente funcionar. 5. Con los dientes despegados del piso, baje la palanca de la mariposa contra la manija superior para aumentar la velocidad del motor y rotar los dientes.
El motor funciona de manera errática	<ol style="list-style-type: none"> 1. El cable de la bujía está flojo. 2. La línea del combustible está tapada o el mismo es viejo. 3. La ventilación en la tapa de nafta está obstruida. 4. Agua o suciedad en el sistema del combustible. 5. El filtro de aire está sucio. 6. Es necesario ajustar el carburador. 	<ol style="list-style-type: none"> 1. Conecte y ajuste el cable de la bujía. 2. Limpie la línea del combustible; llene el tanque con gasolina limpia y fresca 3. Destape la ventilación. 4. Vacíe el tanque del combustible. Vuelva a llenarlo con combustible fresco. 5. Reemplace el filtro de aire. 6. Consulte un centro de servicio técnico calificado.
El motor recalienta	<ol style="list-style-type: none"> 1. El nivel de aceite del motor es bajo. 2. El filtro de aire está sucio. 3. El carburador no está ajustado correctamente. 	<ol style="list-style-type: none"> 1. Llene el cárter con aceite adecuado. 2. Reemplace el filtro de aire. 3. Consulte a un centro de servicio técnico calificado.
Saltos ocasionales (duda) a alta velocidad	<ol style="list-style-type: none"> 1. La distancia disruptiva de la bujía es muy poca. 	<ol style="list-style-type: none"> 1. Ajuste la separación a .025".
Funciona mal en marcha lenta	<ol style="list-style-type: none"> 1. Bujía atorada, fallada o separación demasiado ancha. 2. Carburador ajustado incorrectamente. 3. Filtro de aire sucio. 	<ol style="list-style-type: none"> 1. Reajuste la separación a .025" o reemplace la bujía. 2. Consulte un centro de servicio técnico calificado. 3. Reemplace o limpie el filtro de aire.

NOTE: Para reparaciones mayores que no estén enumeradas anteriormente, contacte a su centro de servicio técnico Sears más cercano o a otro centro de servicio técnico calificado o llame al 1-800-4-MY-HOME®.

Notes

Get it fixed, at your home or ours!

For repair of major brand appliances **in your own home...**
no matter who made it, no matter who sold it!

1-800-4-MY-HOME[®] Anytime, day or night
(1-800-469-4663) (U.S.A. and Canada)

www.sears.com

www.sears.ca

For repair of carry-in products like vacuums, lawn equipment,
and electronics, call for the location of your nearest
Sears Parts and Repair Center.

1-800-488-1222 Anytime, day or night (U.S.A. only)

www.sears.com

For the replacement parts, accessories and owner's manuals
that you need to do-it-yourself, call **Sears PartsDirectSM!**

1-800-366-PART 6 a.m. – 11 p.m. CST, 7 days a week
(1-800-366-7278) (U.S.A. only)

www.sears.com/partsdirect

To purchase or inquire about a Sears Service Agreement
or Sears Maintenance Agreement:

1-800-827-6655 (U.S.A.)

7 a.m. – 5 p.m. CST, Mon. – Sat.

1-800-361-6665 (Canada)

9 a.m. – 8 p.m. EST, M – F, 4 p.m. Sat.

Para pedir servicio de reparación a
domicilio, y para ordenar piezas:

1-888-SU-HOGARSM
(1-888-784-6427)

Au Canada pour service en français:

1-800-LE-FOYER^{MC}
(1-800-533-6937)
www.sears.ca



Free Manuals Download Website

<http://myh66.com>

<http://usermanuals.us>

<http://www.somanuals.com>

<http://www.4manuals.cc>

<http://www.manual-lib.com>

<http://www.404manual.com>

<http://www.luxmanual.com>

<http://aubethermostatmanual.com>

Golf course search by state

<http://golfingnear.com>

Email search by domain

<http://emailbydomain.com>

Auto manuals search

<http://auto.somanuals.com>

TV manuals search

<http://tv.somanuals.com>