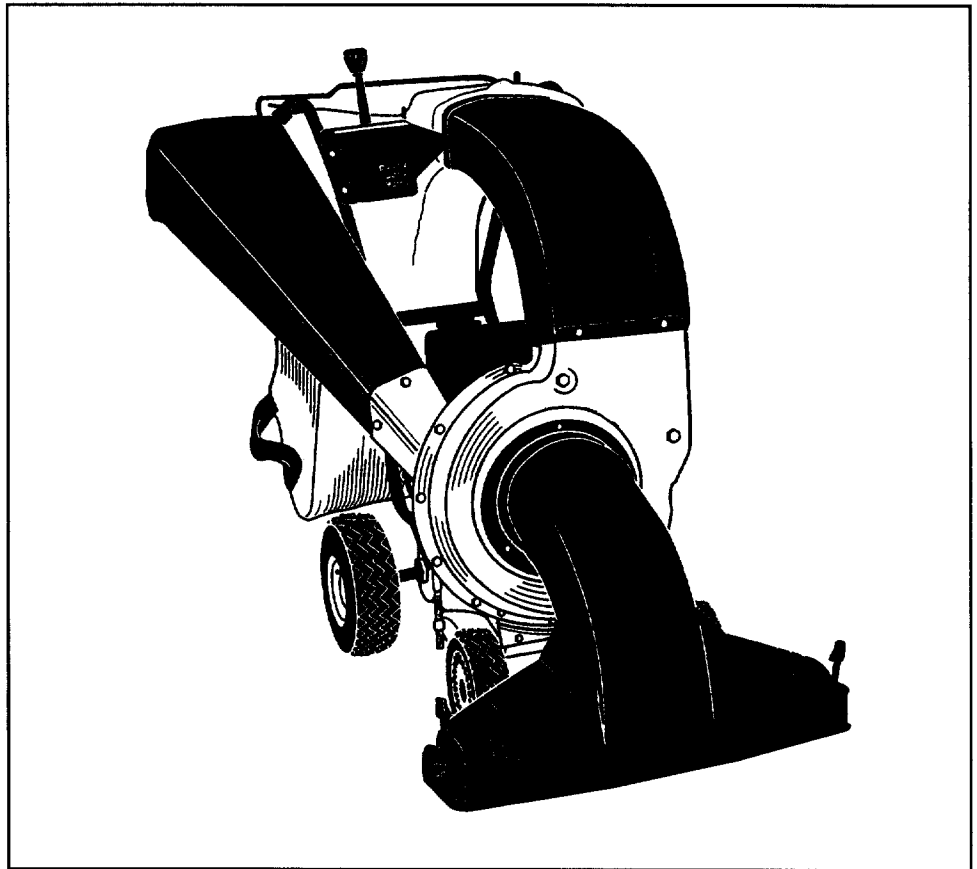


SEARS OWNER'S MANUAL

**MODEL NO.
247.799630**



CRAFTSMAN®

**5.5 HORSEPOWER
SELF-PROPELLED
CHIPPER-SHREDDER-VACUUM**

**Caution:
Read and Follow
All Safety Rules
and Instructions
Before Operating
This Equipment**


**Assembly
Operation
Customer Responsibilities
Service and Adjustment
Repair Parts**

SEARS, ROEBUCK AND CO., Hoffman Estates, IL 60179 U.S.A.

IMPORTANT

SAFE OPERATION PRACTICES



THIS SYMBOL POINTS OUT IMPORTANT SAFETY INSTRUCTIONS WHICH, IF NOT FOLLOWED, COULD ENDANGER THE PERSONAL SAFETY AND/OR PROPERTY OF YOURSELF AND OTHERS. READ AND FOLLOW ALL INSTRUCTIONS IN THIS MANUAL BEFORE ATTEMPTING TO OPERATE YOUR POWER CHIPPER-VACUUM. FAILURE TO COMPLY WITH THESE INSTRUCTIONS MAY RESULT IN PERSONAL INJURY. WHEN YOU SEE THIS SYMBOL —  **HEED ITS WARNING.**



DANGER:

Your chipper-vacuum was built to be operated according to the rules for safe operation in this manual. As with any type of power equipment, carelessness or error on the part of the operator can result in serious injury. This unit is capable of amputating fingers and hands and throwing objects. Failure to observe the following safety instructions could result in serious injury or death.



I. GENERAL OPERATION

- Read this owner's guide carefully in its entirety before attempting to assemble this machine. Read, understand, and follow all instructions on the machine and in the manual(s) before operation. Be completely familiar with the controls and the proper use of the machine before operating it. Keep this manual in a safe place for future and regular reference and for ordering replacement parts.
- Your chipper-vacuum is a powerful tool, not a plaything. Therefore, exercise extreme caution at all times. Your unit has been designed to perform two jobs; to chip and vacuum vegetation found in a normal yard. Do not use it for any other purpose.
- Never allow children under 16 to operate the unit. Children 16 years and older should only operate under close parental supervision. Only responsible individuals who are familiar with these rules of safe operation should be allowed to use your unit.
- Keep the area of operation clear of all persons, particularly small children and pets. Stop the engine when they are in the vicinity of the unit.
- When feeding material into this equipment, be extremely careful that pieces of metal, rocks, bottles, cans or other foreign objects are not included. Personal injury or damage to the machine could result.
- Always wear safety glasses or safety goggles, during operation and while performing an adjustment or repair, to protect eyes from foreign objects that may be thrown from the machine.
- Wear sturdy, rough-soled work shoes and close fitting slacks and shirt. Shirt and slacks that cover the arms and legs and steel-toed shoes are recommended. Do not wear loose fitting clothes or jewelry, and secure hair above shoulder length. They can be caught in moving parts. Never operate a unit in bare feet, sandals or sneakers. Wear gloves when feeding material in the chipper chute.
- Do not operate the unit while under the influence of alcohol or drugs.
- Do not over-reach. Keep proper footing and balance at all times.
- Never place your hands or any part of your body or clothing near or under rotating parts. Keep clear of the discharge opening at all times. Never insert your hands or any part of your body or clothing into the nozzle, chipper chute or discharge opening as the rotating impeller can cause serious injury.
- If it is necessary for any reason to unclog the feed intake or discharge openings or to inspect or repair any part of the machine where a moving part can come in contact with your body or clothing, stop the machine, allow it to cool, disconnect the spark plug wire from the spark plug and move it away from the spark plug before attempting to unclog, inspect or repair.
- Never operate unit without vacuum bag and discharge chute properly affixed to unit. Large zippered end of bag must be closed to prevent objects from being blown out.
- Never operate unit without either the inlet nozzle or optional hose attachment properly affixed to unit. These devices shield the operator from accidental contact with the rotating impeller. Never attempt to convert the unit from nozzle to hose mode or vice versa with the engine running.
- Never attempt to remove or empty vacuum bag when engine is running. Shut the engine off and wait for the impeller to come to a complete stop before removing the bag. The impeller continues to rotate for a few seconds after the engine is shut off. Never place any part of the body in the impeller area until you are sure the impeller has stopped rotating.
- Keep all guards and safety devices in place and operating properly.
- Do not allow an accumulation of processed material to build up in the discharge area as this will prevent proper discharge and can result in kick-back from the chipper chute.
- Keep your face and body back from chipper chute to avoid accidental bounce back of any material.
- If the cutting mechanism strikes a foreign object or if your machine should start making an unusual noise or vibration, immediately stop the engine, disconnect the spark plug wire and move the wire away from the spark plug. Allow the machine to stop and take the following steps.
 - Inspect for damage
 - Repair or replace any damaged parts.
 - Check for any loose parts and tighten to assure continued safe operation.
- Muffler and engine become hot and can cause a burn. Do not touch.
- Do not allow leaves or other debris to build up on engine's muffler. The debris could ignite and cause a fire.
- Do not operate engine if air cleaner or cover over carburetor air-intake is removed, except for adjustment. Removal of such parts could create a fire hazard.



II. CHILDREN

Tragic accidents can occur if the operator is not alert to the presence of small children. Children are often attracted to the chipping and vacuuming activity. Never assume that children will remain where you last saw them.


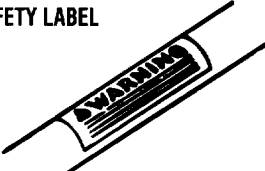

- Keep children out of the work area and under the watchful eye of a responsible adult other than the operator.
- Be alert and turn the unit off if a child enters the area.
- Never allow children under the age of 16 to operate the chipper-vacuum.



III. SERVICE

- Use extreme care in handling gasoline and other fuels. They are extremely flammable and the vapors are explosive.
 - Store fuel and oil in approved containers, away from heat and open flame, and out of the reach of children.

- Check and add fuel before starting the engine. Never remove gas cap or add fuel while the engine is running. Allow engine to cool at least two minutes before refueling.
- Replace gasoline cap securely and wipe off any spilled gasoline before starting the engine as it may cause a fire or explosion.
- Extinguish all cigarettes, cigars, pipes and other sources of ignition.
- Never refuel unit indoors because flammable vapors will accumulate in the area.
- Never store the machine or fuel container inside where there is an open flame or spark such as a gas hot water heater, clothes dryer or furnace.
- Never run your machine in an enclosed area as the exhaust from the engine contains carbon monoxide, which is a odorless, tasteless and deadly poisonous gas.
- To reduce fire hazard, keep engine and muffler free of leaves, grass, and other debris build-up. Clean up fuel and oil spillage. Allow unit to cool at least 5 minutes before storing.
- Before cleaning, repairing, or inspecting, make certain the impeller and all moving parts have stopped. Disconnect the spark plug wire and keep wire away from spark plug to prevent accidental starting. Do not use flammable solutions to clean air filter.
- Keep all nuts, bolts, and screws tight to be sure the equipment is in safe working condition.
- Never tamper with safety devices. Check their proper operation regularly.
- After striking a foreign object, immediately stop the engine, disconnect the spark plug wire from the spark plug, and thoroughly inspect the unit for any damage. Repair damage before starting and operating unit.
- Do not alter or tamper with the engine's governor setting. The governor controls the maximum safe operating speed of the engine. Over-speeding the engine is dangerous and will cause damage to the engine and to other moving parts of the machine.
- Check the vacuum bag frequently for wear. Replace if worn or damaged.
- Keep vacuum bag free of debris when not in use.

<p>OWNER'S MANUAL</p> 	<p>SAFETY LABEL</p> 	<p> WARNING — YOUR RESPONSIBILITY</p> <p>Restrict the use of this power machine to persons who read, understand and follow the warnings and instructions in this manual and on the machine.</p>
---	---	---

CONGRATULATIONS on your purchase of a Sears Craftsman Chipper-Vacuum. It has been designed, engineered and manufactured to give you the best possible dependability and performance.

Should you experience any problem you cannot easily remedy, please contact your nearest Sears Service Center/ Department in the United States. We have competent, well-trained technicians and the proper tools to service or repair this unit.

Please read and retain this manual. The instructions will enable you to assemble and maintain your chipper-vacuum properly. Always observe the "SAFETY RULES."

MODEL NUMBER 247.799630
SERIAL NUMBER _____
DATE OF PURCHASE _____
THE MODEL AND SERIAL NUMBERS WILL BE FOUND ON A LABEL ATTACHED TO THE FRAME OF THE CHIPPER-VACUUM.
YOU SHOULD RECORD BOTH SERIAL NUMBER AND DATE OF PURCHASE AND KEEP IN A SAFE PLACE FOR FUTURE REFERENCE.

CUSTOMER RESPONSIBILITIES

- Read and observe the safety rules.
- Follow a regular schedule in maintaining, caring for and using your chipper-vacuum.
- Follow the instructions under "Customer Responsibilities" and "Storage" sections of this Owner's Manual.

PRODUCT SPECIFICATIONS

Horsepower:	5.5
Engine Oil Capacity: API Classification SF, SG or SH	SAE 30 (20 Ounces)
Fuel Capacity:	Approximately 3 Quarts (Unleaded)
Spark Plug (Gap .030 in.):	Champion J-8C (or Equivalent)
Tire Pressure:	24 p.s.i.

MAINTENANCE AGREEMENT

A Sears Maintenance Agreement is available on this product. Contact your nearest Sears store for details.

WARNING: This unit is equipped with an internal combustion engine and should not be used on or near any unimproved forest-covered, brush-covered or grass-covered land unless the engine's exhaust system is equipped with a spark arrester meeting applicable local or state laws (if any). If a spark arrester is used, it should be maintained in effective working order by the operator.

In the State of California the above is required by law (Section 4442 of the California Public Resources Code). Other states may have similar laws. Federal laws apply on federal lands. A spark arrester for the muffler is available through your nearest Sears Authorized Service Center (See the REPAIR PARTS section of this manual.)

WARRANTY

FULL ONE YEAR WARRANTY ON CRAFTSMAN GAS CHIPPER-VACUUM

For one year from the date of purchase, when this Craftsman chipper-vacuum is maintained, lubricated, and tuned up according to the operating and maintenance instructions in the operator's manual, Sears will repair, free of charge, any defect in material or workmanship.

This warranty excludes the chipper blades, nails, air cleaners, spark plugs, catcher bags and tires, which are expendable parts and become worn during normal use.

If this chipper-shredder is used for commercial or rental purposes, this warranty applies for only 30 days from the date of purchase.

WARRANTY SERVICE IS AVAILABLE BY CONTACTING THE NEAREST SEARS SERVICE CENTER IN THE UNITED STATES. THIS WARRANTY APPLIES ONLY WHILE THIS PRODUCT IS IN USE IN THE UNITED STATES.

This warranty gives you specific legal rights, and you may also have other rights which vary from state to state.

SEARS ROEBUCK AND CO., DEPT. 817WA, HOFFMAN ESTATES, IL 60179

TABLE OF CONTENTS

SAFETY RULES2, 3	OPERATION8-11
PRODUCT SPECIFICATIONS4	CUSTOMER RESPONSIBILITIES12, 13
MAINTENANCE AGREEMENT4	STORAGE14
CUSTOMER RESPONSIBILITIES4, 12, 13	SERVICE AND ADJUSTMENT14-17
WARRANTY4	TROUBLE SHOOTING.....18
INDEX5	PARTS ORDERING/SERVICE.....18
ACCESSORIES5	REPAIR PARTS—CHIPPER-VACUUM19-25
ASSEMBLY6-8	REPAIR PARTS—ENGINE26-29

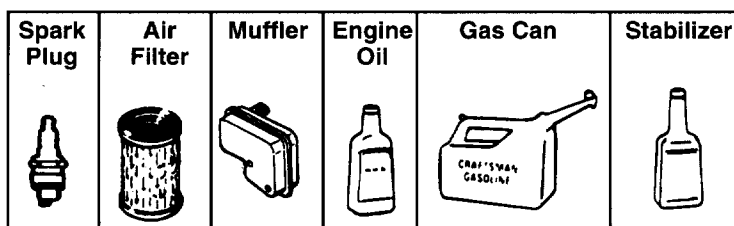
INDEX

<p style="text-align: center;">A</p> <p>Accessories5</p> <p>Adjustments:</p> <p style="padding-left: 20px;">Carburetor..... 18</p> <p style="padding-left: 20px;">Clutch Cable8</p> <p style="padding-left: 20px;">Engine Speed18</p> <p style="padding-left: 20px;">Shift Rod17</p> <p>Assembly Instructions.....6-8</p> <p style="text-align: center;">C</p> <p>Catcher Bag8, 12</p> <p>Controls9</p> <p>Customer Responsibilities4, 13, 14</p> <p style="text-align: center;">E</p> <p>Engine:</p> <p style="padding-left: 20px;">Lubrication13</p> <p style="padding-left: 20px;">Maintenance13, 14</p> <p style="padding-left: 20px;">Starting12</p> <p style="padding-left: 20px;">Stopping.....9, 12</p> <p style="padding-left: 20px;">Storage18</p> <p style="text-align: center;">F</p> <p>Fuel11</p> <p style="text-align: center;">L</p> <p>Lubrication13</p>	<p style="text-align: center;">M</p> <p>Maintenance:</p> <p style="padding-left: 20px;">Agreement4</p> <p style="padding-left: 20px;">Schedule13</p> <p style="padding-left: 20px;">Engine.....13, 14</p> <p style="padding-left: 20px;">Chipper-Vacuum13, 18</p> <p style="text-align: center;">O</p> <p>Oil13</p> <p>Operating Tips10</p> <p style="text-align: center;">R</p> <p>Repair/Replacement Parts20-35</p> <p>Responsibilities, Customer4, 13, 14</p> <p style="text-align: center;">S</p> <p>Safety Rules2, 3</p> <p>Sharpening15, 16</p> <p>Spark Plug14</p> <p>Specifications.....4</p> <p>Storage18</p> <p style="text-align: center;">T</p> <p>Table of Contents5</p> <p>Trouble Shooting19</p> <p style="text-align: center;">U</p> <p>Unclogging15</p> <p>Unpacking6</p> <p style="text-align: center;">W</p> <p>Warranty4</p>
--	---

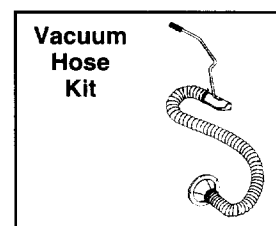
ACCESSORIES

These accessories were available when the chipper-vacuum was purchased. They are also available at most Sears retail outlets, catalog and service centers. Most Sears stores can order repair parts for you, when you provide the model number of your chipper-vacuum.

ENGINE



CHIPPER-VACUUM



ASSEMBLY INSTRUCTIONS

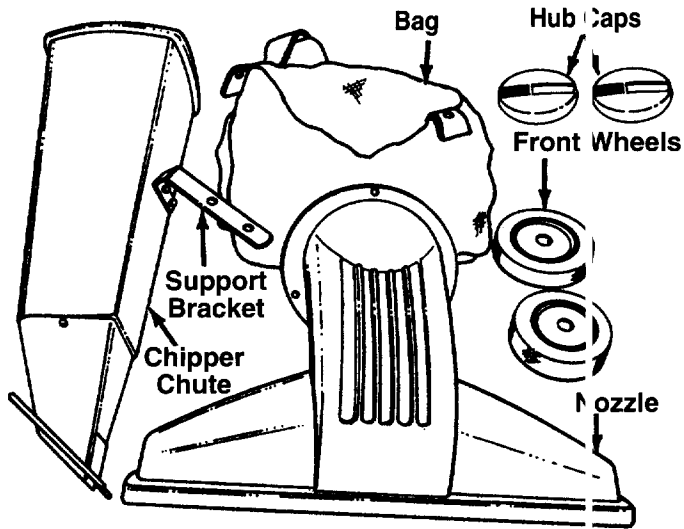


FIGURE 1.

LOOSE PARTS IN CARTON (See Figure 1)

- | | |
|---------------------|---------------------|
| (2) Front Wheels | (1) Bag |
| (2) Hub Caps | (1) Shift Knob |
| (1) Nozzle Assembly | (1) Tamper Plug† |
| (1) Chipper Chute | (1) Safety Glasses† |
| (1) Support Bracket | (1) Bottle of Oil† |
- †Not Shown

IMPORTANT: This unit is shipped WITHOUT GASOLINE or OIL in the engine. After assembly, see operation section of this manual for proper fuel and engine oil recommendations.

NOTE: To determine right and left hand sides of your chipper-vacuum, stand behind and face the unit (Refer to figure 7).

Your chipper-vacuum has been completely assembled at the factory except for the front wheels, hub caps, nozzle, chipper chute, support bracket and bag. A pair of safety glasses and bottle of oil are also included in the carton.

REMOVING CHIPPER-VACUUM FROM CARTON

Cut the corners of the carton. Remove all packing inserts and loose parts. Push down on handle to lift front of chipper-vacuum, and roll chipper-vacuum out of the carton. Make certain all parts and literature have been removed before the carton is discarded.

TOOLS REQUIRED FOR ASSEMBLY

- (1) 3/4" Open End Wrench
- (2) 1/2" or Adjustable Wrenches
- (1) 9/16" Wrench
- (1) Funnel
- (1) Set of Pliers
- (1) 7/16" Wrench

SETTING-UP YOUR CHIPPER-VACUUM

ATTACHING THE FRONT WHEELS

- Tilt unit backward so that it rests on the handle (place a piece of the carton under handle to avoid scratches). Remove the cardboard packing material around the wheel brackets.
- Remove the hex lock nuts and shoulder bolts from the front of the wheel brackets. See figure 2.
- Place wave washer on shoulder bolt. Insert shoulder bolt through wheel, with the head of the shoulder bolt through the flat side of the wheel.
- Assemble wheel to outside of wheel bracket. Secure with cupped washer and hex lock nut. Tighten the nut. The cupped side of washer goes on end of shoulder bolt between the wheel and the bracket.

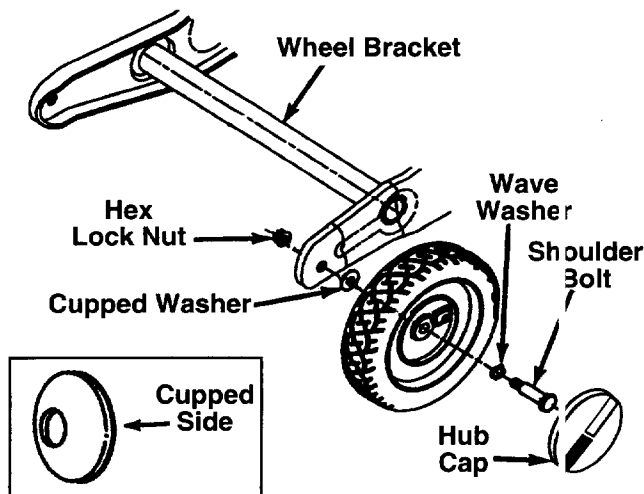


FIGURE 2.

- Push the hub cap onto the wheel so that the edges of the hub cap flush with the rim of the wheel.

ATTACHING THE NOZZLE (See figure 3)

- Remove the three wing nuts from the front of the chipper-vacuum. Place the nozzle in position over the three weld studs. Secure with the wing nuts just removed.

NOTE: The metal tab in the nozzle must depress the safety switch on the front of the chipper-vacuum or the engine will not start.

- Set unit in upright position.

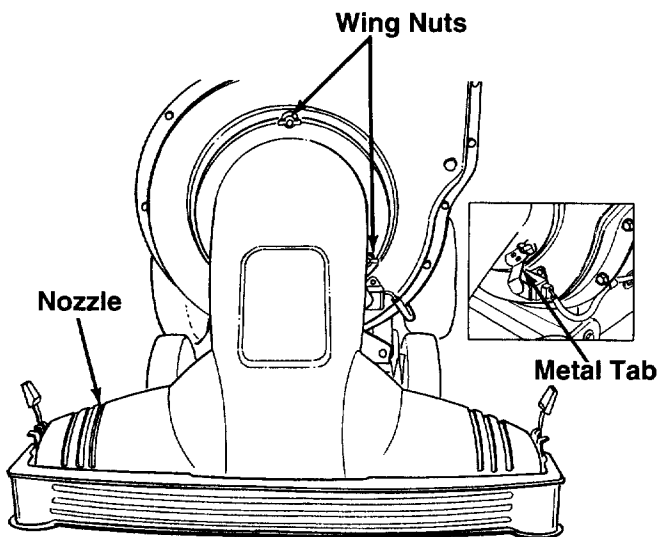


FIGURE 3.

ATTACHING THE CHIPPER CHUTE AND SUPPORT BRACKET

- Remove the two hex lock nuts from the hex bolts which secure the right side of the upper handle to the lower handle. Leave the bolts in place. See figure 4.
- Remove the three cupped washers and hex nuts from the weld studs. You will find these weld studs beside the opening on the right side of the chipper vacuum. See figure 4.
- Place the chipper chute over the weld studs. Secure with cupped washers and hex nuts that you earlier removed. See figure 4.
- However, do not tighten the nuts all the way at this point in assembly.

NOTE: Cupped side of the washer goes against the chipper chute. See figure 2 inset to find out the cupped side of a washer.

- Remove the two hex bolts, flat washers, and nuts which are attached to the support bracket. See figure 4.
- Use this hardware to attach the support bracket to the bottom of the chipper chute loosely. Be sure to fix the hardware so that the heads of the hex bolts and washers are inside the chipper chute.
- Place the support bracket over the two bolts in the handle. Push up the chipper chute in order to better align the holes in the support bracket with the bolts in the handle. Put the nuts back on.
- Tighten all hardware securely first on the chipper chute, then on the support bracket, and finally on the handle.

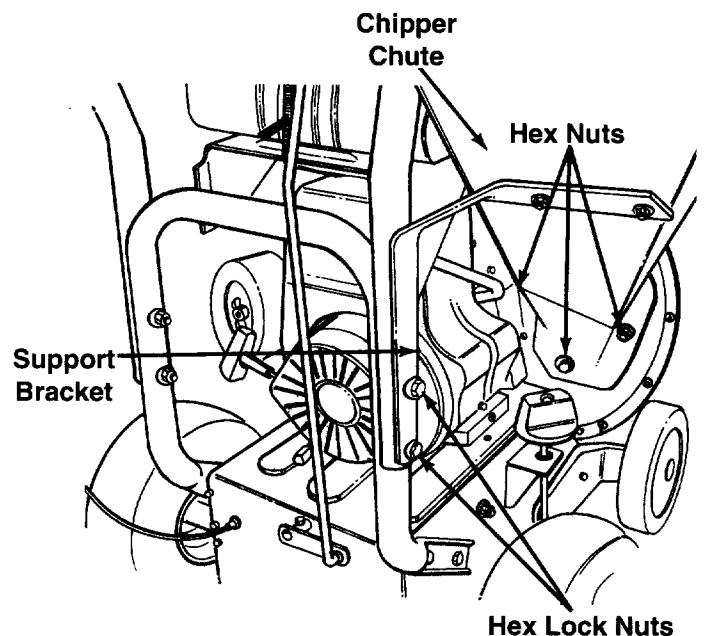


FIGURE 4.—View from the operator's position

ATTACHING THE CLUTCH CABLE (Figure 5)

The clutch cable has been assembled at the factory. You will have to attach the clutch cable, to the handle.

- Loosen the hex nuts at the cable bracket and remove.
- Holding the drive clutch handle up, hook the "Z" end of the cable into the drive clutch handle from the outside to the inside. See figure 5A. You may need a set of pliers for this.
- Next keeping the clutch handle up, tighten the back hex nut approximately halfway with no slack in the cable when it is attached and the "Z" end is in place.

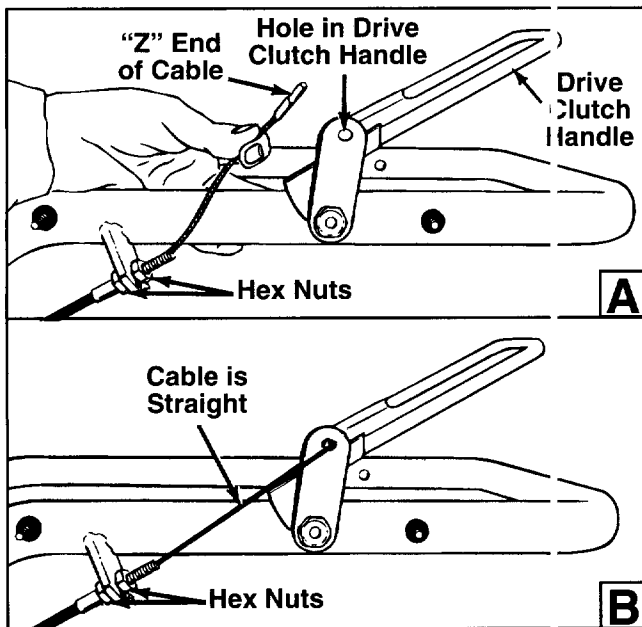


FIGURE 5.

ADJUSTING THE CLUTCH CABLE

- While adjusting the hex nuts at the cable bracket, make sure that there is no slack in the cable, but the cable is not tight. See figure 5B. Do not over-tighten the cable.

To check the clutch adjustment, proceed as follows.

- Push the chipper-vacuum backward and forward with the drive clutch handle released. It should move freely. If it does not, loosen both hex nuts at the cable bracket. See figure 5B. Turn bottom nut counterclockwise to loosen the cable.
- Holding against the upper handle, engage the drive clutch handle and try to push the unit backward and forward. The wheels should lock up.
- If the wheels do not lock up, loosen both hex nuts at the cable bracket. Turn front nut clockwise to tighten the cable.
- Recheck the adjustment. Tighten both the hex nuts when you have adjusted it correctly.

INSTALLING THE SHIFT KNOB

- Thread the shift knob onto the end of the shift lever.

ATTACHING THE BAG

- Place bag inside the handle assembly. Slip the opening on the bag over the discharge chute. Make sure that it is over the rib on the discharge chute. See figure 6.
- Place the four straps on top of the bag over the upper handle, hooking them on the studs. See figure 7. Make sure that the bag goes under the drive clutch handle.

- Squeeze the clamp on the drawstring and pull the drawstring tight. Release the clamp.

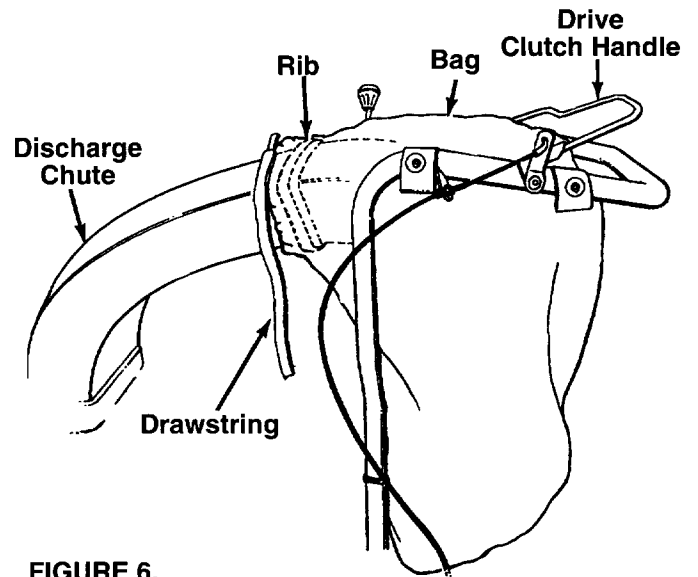


FIGURE 6.

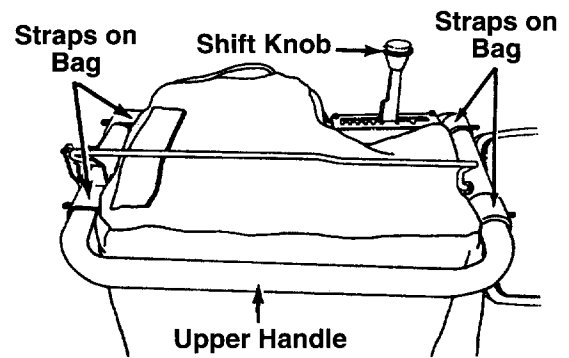


FIGURE 7.

INSERTING THE TAMPER PLUG

The handle of the tamper plug must be vertical.

- Match the angle of the tamper plug with the angle of the chipper chute. See figure 8.
- Insert the tamper plug into the chipper chute.

NOTE: Tamper plug should remain in the chipper chute whenever the chute is not in use.

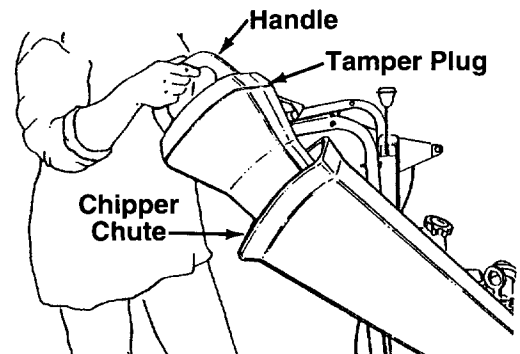


FIGURE 8.

OPERATION

OPERATING CONTROLS (See Figure 9)

SHIFT LEVER—The shift lever determines ground speed of your unit. It may be placed in one of eight positions. Of these eight, six positions are to go forward, and two positions are to go in reverse.

Forward: Six speeds according to the six positions of the shift lever are available; position one is the slowest, and position six is the fastest.

Reverse: Two speeds according to the two positions of the shift lever are available; position R (extreme right) is the faster of the two.

DRIVE CLUTCH HANDLE (BAIL)—If you squeeze the drive clutch handle against the upper handle, you will engage the wheel drive. If you release the drive clutch handle, you will stop the forward drive.

PRIMER—The primer is used to start a cold engine. You may also need the primer to restart a warm engine after a short shutdown.

STARTER HANDLE—This is used to start the engine manually.

THROTTLE CONTROL—This controls the engine speed and stops the engine. It is located right above the starter handle.

TO STOP THE ENGINE

- Move throttle control lever to STOP position. See figure 9.
- Disconnect spark plug wire and move away from the spark plug to prevent accidental starting while the equipment is unattended.

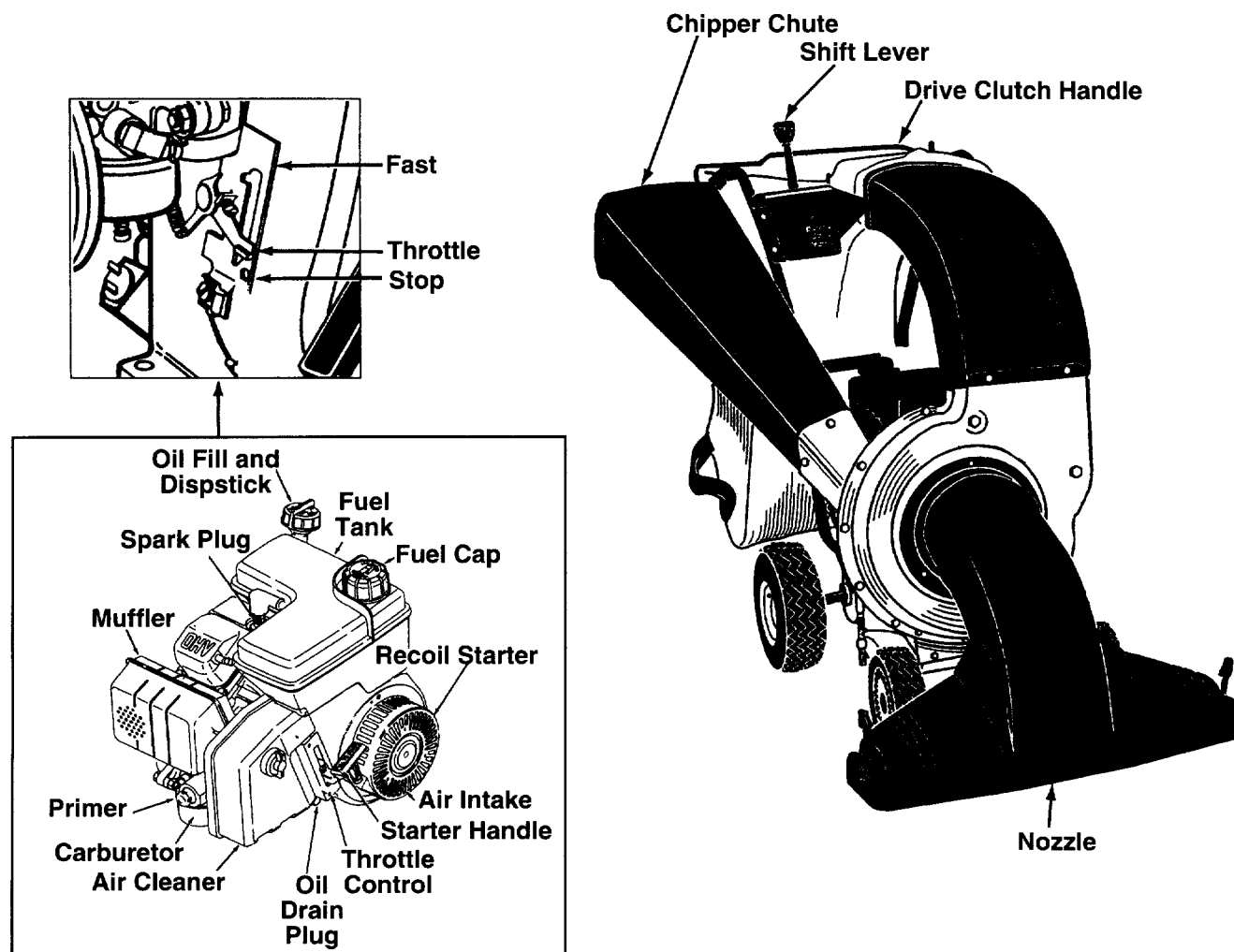


FIGURE 9

BEFORE USING YOUR CHIPPER-VACUUM, REFER TO THE "SAFETY RULES" AS SHOWN ON PAGE 2 OF THIS MANUAL. ALWAYS BE CAREFUL.



The operation of any chipper-vacuum can result in foreign objects being thrown into the eyes, which can damage your eyes severely. **Always wear the safety glasses provided with this unit or eye shields before chipping, or while performing any adjustments or repairs.** We recommend Wide Vision Safety Mask for over spectacles or standard glasses available at Sears Retail Stores.

USING THE CHIPPER-VACUUM

NOTE: Your chipper-vacuum unit has a safety switch at the front of the housing. The nozzle or hose attachment must be in place on the chipper-vacuum before the engine can be started.

TO ADJUST THE NOZZLE HEIGHT

A. The height adjustment knob is located on the right hand side of the chipper-vacuum. See figure 10 for its actual location. Adjusting the height here will also raise or lower the height of the nozzle. For further adjustment of the nozzle height to control the flow, see the next section.

- Turn the knob clockwise to raise the wheels and adjust the height of the unit.
- Turn the knob counterclockwise to lower the unit.

NOTE: Do not turn the knob too far to prevent the rod from coming out of the ferrule.

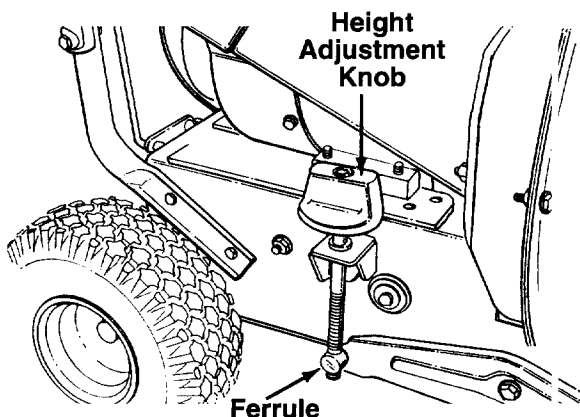


FIGURE 10.

B. Your chipper-vacuum unit has a nozzle door height adjustment lever with three settings on each side of the nozzle door. See figure 11 for its actual location. The nozzle door height has to be adjusted according to the conditions.

- Slide the height adjustment lever forward or backward for adjusting the nozzle door upwards or downwards.

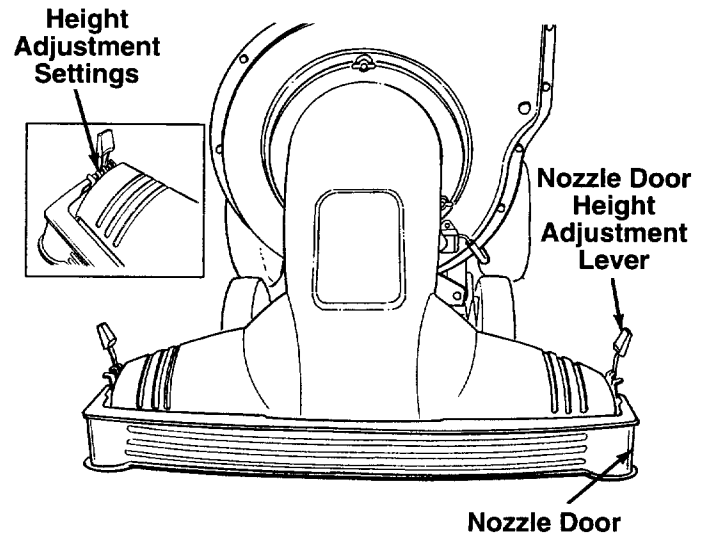


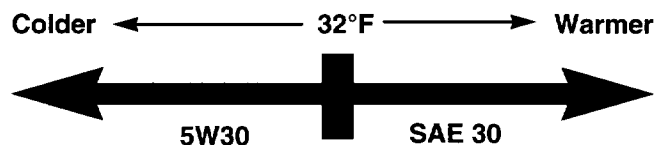
FIGURE 11.

NOTE: In general, raise the nozzle height to vacuum a thick layer of leaves; lower the nozzle height for smoother surfaces.

GAS AND OIL FILL-UP

OIL

Only use high quality detergent oil rated with API service classification SF, SG or SH. Select the oil's viscosity grade according to your expected operating temperature.



NOTE: Although multi-viscosity oils (5W30, 10W30, etc.) improve starting in cold weather, these multi-viscosity oils will result in increased oil consumption when used above 32°F. Check your oil level more frequently to avoid possible engine damage from running low on oil.

- Use engine oil provided. Remove oil fill dipstick. See figure 12. With chipper-vacuum level, use a funnel to fill engine with oil to FULL mark on dipstick. Capacity is approximately 20 ounces. **Be careful not to overfill.** Oil bottle provided contains 20 oz. of oil. Tilt chipper-vacuum toward the left (from behind the hopper), then re-level. Check oil level. Refill to FULL mark on dipstick if necessary. Replace dipstick and tighten.

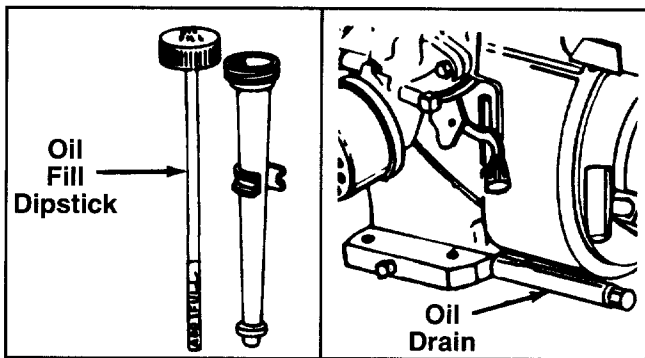


FIGURE 12.

GAS

- Remove fuel cap and fill fuel tank with approximately 3 quarts of clean, fresh, lead-free grade automotive gasoline. DO NOT use Ethyl or high octane gasoline. Be certain container is clean and free from rust or foreign particles. Never use gasoline that may be stale from long periods of storage in the container. Replace fuel cap.



WARNING: DO NOT FILL CLOSER THAN 1/2 INCH OF TOP OF FUEL TANK TO PREVENT SPILLS AND TO ALLOW FOR FUEL EXPANSION. IF GASOLINE IS ACCIDENTLY SPILLED, MOVE CHIPPER-VACUUM AWAY FROM AREA OF SPILL. AVOID CREATING ANY SOURCE OF IGNITION UNTIL GASOLINE VAPORS HAVE DISAPPEARED.

Check the fuel level periodically to avoid running out of gasoline while operating the chipper-vacuum. If the unit runs out of gas as it is chipping, it may be necessary to unclog the unit before it can be restarted. Refer to "Removing the Flail Screen" in SERVICE AND ADJUSTMENT section.

WARNING: EXPERIENCE INDICATES THAT ALCOHOL BLENDED FUELS (CALLED GASOHOL OR USING ETHANOL OR METHANOL) CAN ATTRACT MOISTURE WHICH LEADS TO SEPARATION AND FORMATION OF ACIDS DURING STORAGE. ACIDIC GAS CAN DAMAGE THE FUEL SYSTEM OF AN ENGINE WHILE IN STORAGE. TO AVOID ENGINE PROBLEMS, THE FUEL SYSTEM SHOULD BE EMPTIED OR TREATED WITH FUEL STABILIZER BEFORE STORAGE FOR 30 DAYS OR LONGER. USE FRESH FUEL NEXT SEASON. SEE "STORAGE" SECTION FOR ADDITIONAL INFORMATION.

NEVER USE ENGINE OR CARBURETOR CLEANER PRODUCTS IN THE FUEL TANK OR PERMANENT DAMAGE MAY OCCUR.

USING THE CHIPPER CHUTE

NOTE: Do not try to chip any material other than vegetation like branches, leaves, twigs, etc., in a normal yard. Such materials of up to 3" diameter may be fed into the chipper chute. See figure 13.

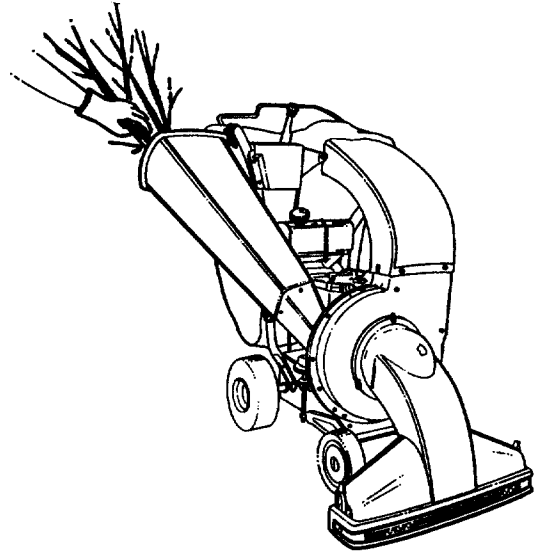


FIGURE 13.



WARNING: DO NOT FEED ANY MATERIAL MORE THAN 3" DIAMETER VEGETATION INTO THE CHUTE. PERSONAL INJURY AND/OR DAMAGE TO THE UNIT COULD RESULT IF YOU TRY TO FEED ANY MATERIAL OTHER THAN SPECIFIED HERE.

- If necessary, use the tamper plug to push the material into the chipper chute. See figure 8 for the location of the tamper plug.
- Place tamper plug inside the chute when not in use to deaden the noise.



WARNING: NEVER PLACE HANDS INSIDE THE CHIPPER CHUTE.

- For best performance, keep the chipper blades sharp.
- If the discharged material starts to become stringy, or if the rate of discharge slows down considerably, the chipper blades may have become dull. To sharpen or replace the blade, refer to Service and Adjustment section.
- If the flail screen, located inside the housing in the discharge area, becomes clogged, remove the screen and clean. For instructions on cleaning the screen, refer to the Service and Adjustment section.

TO START THE ENGINE

IMPORTANT: IF YOUR UNIT SHOWS ANY SIGN OF MOTION WITH THE CLUTCH HANDLE DISENGAGED, SHUT THE ENGINE OFF IMMEDIATELY. READJUST FOLLOWING INSTRUCTIONS; FOR "FINAL ADJUSTMENT" IN THE ASSEMBLY SECTION OF THIS OWNER'S GUIDE.



WARNING: MAKE SURE THAT NO ONE OTHER THAN THE OPERATOR IS STANDING NEAR THE CHIPPER-VACUUM UNIT WHILE STARTING OR OPERATING.

DO NOT OPERATE THIS UNIT UNLESS THE NOZZLE, DISCHARGE CHUTE, AND THE BAG HAVE BEEN PROPERLY INSTALLED.

- Attach spark plug wire and rubber boot to spark plug if necessary. See figure 9 for location.
- Place the throttle control lever in FAST position.
- Push primer two or three times to start the engine. Wait about two seconds between each push. See figure 14. In cold weather when temperature is at or below 50°F/10°C, prime five times. You may have to prime to restart a warm engine after a short shutdown.
- Place one foot on the left rear wheel to prevent the unit from skidding while starting.
- Grasp starter handle and pull rope out slowly until engine reaches start of compression cycle. The rope will pull slightly harder at this point. Let the rope rewind slowly.

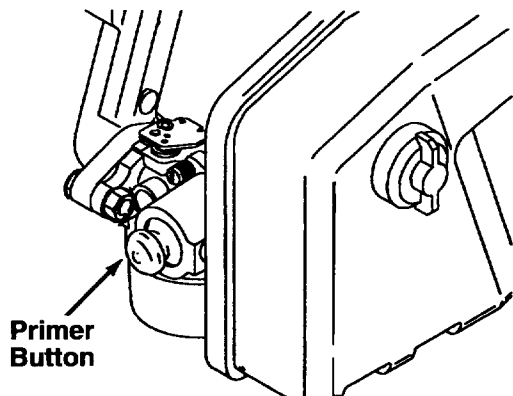


FIGURE 14.

NOTE: While the engine is reaching the compression cycle, you may hear a noise. This noise is caused by the flails and fingers falling into place and is normal. This noise will continue till impeller reaches full speed.

- Pull the rope with a rapid, continuous, full arm stroke.
- Keep a firm grip on the starter handle. Let the rope rewind slowly. Do not let the starter handle snap back against the starter. Repeat until engine cranks up. Prime the engine if necessary.
- Move throttle control to IDLE position for a few minutes to warm up the engine. Move it back when running.

NOTE: To idle smoothly, a new engine may require 3 to 5 minutes of running at above the slow idle speed. The idle speed has been adjusted for proper running after this break-in period.

TO STOP ENGINE

- Move throttle control lever to STOP position.
- Disconnect spark plug wire and move away from spark plug to prevent accidental starting while equipment is unattended.

TO EMPTY BAG

Open the large zipper on the bag to empty the bag. See figure 15. **Be certain the zipper is closed when operating the unit.**

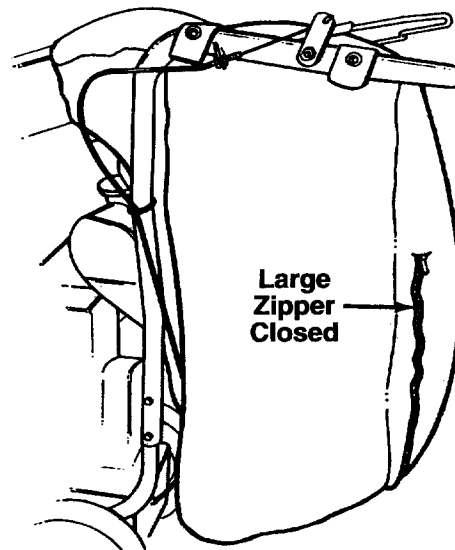


FIGURE 15.

CUSTOMER RESPONSIBILITIES

MAINTENANCE SCHEDULE FILL IN DATES AS YOU COMPLETE REGULAR SERVICE		BEFORE EACH USE	AFTER EACH USE	FIRST FIVE HOURS	EVERY 25 HOURS	EVERY 50 HOURS	BEFORE STORAGE	SERVICE DATES													
PRODUCT	Oil Pivot Points						√														
ENGINE	Clean Chipper-Vacuum		√				√														
ENGINE	Check Engine Oil	√																			
ENGINE	Change Engine Oil			√	√																
ENGINE	Service Air Cleaner				√																
ENGINE	Spark Plug				√		√														
ENGINE	Muffler					√															
ENGINE	Clean Engine				√		√														

√ CHECK

GENERAL RECOMMENDATIONS



WARNING: ALWAYS STOP THE ENGINE AND DISCONNECT THE SPARK PLUG WIRE BEFORE PERFORMING ANY MAINTENANCE OR ADJUSTMENTS.

- Periodically check all fasteners and be sure they are tight.
- Follow the Maintenance Schedule above.

CHIPPER-VACUUM LUBRICATION

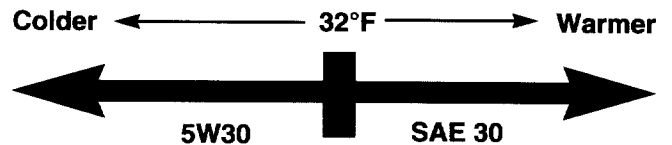
Lubricate the pivot points on the height adjustment mechanism once a season using a light oil.

CLEANING

- Clean the chipper-vacuum thoroughly after each use.
- Wash the bag periodically with water. Allow to dry thoroughly in the shade. Do not use heat.

ENGINE ENGINE OIL

Only use high quality detergent oil rated with API service classification SF, SG or SH. Select the oil's viscosity grade according to your expected operating temperature.



NOTE: Although multi-viscosity oils (SE30, 10W30, etc.) improve starting in cold weather, these multi-viscosity oils will result in increased oil consumption when used above 32°F. Check your oil level more frequently to avoid possible engine damage from running low on oil.

Your four-cycle engine will normally consume some oil—therefore, check engine oil level regularly approximately every five hours of operation and before each usage. Stop engine and wait several minutes before checking oil level. With engine level, the oil must be to FULL mark on dipstick (refer to figure 12). Change engine oil after the first five hours of operation, and every twenty-five hours thereafter.

To Drain Oil:

- Drain oil while engine is warm.
 - a. Remove oil drain cap. Refer to figure 12. Catch oil in a suitable container.
 - b. When engine is drained of all oil, replace drain cap securely.
- Refill with fresh oil. Refer to GAS AND OIL FILL-UP section.
- Replace dipstick.

AIR CLEANER

The air cleaner prevents damaging dirt, dust, etc., from entering the carburetor and being forced into the engine and is important to engine life and performance.

Never run your engine without air cleaner completely assembled.

To Service Air Cleaner:

Service pre-cleaner after every 25 hours of use, or at least once a season. Replace filter every 100 hours of use, or at least once a season. Service pre-cleaner and filter more often under dusty conditions.

- Remove wing nut and cover. See figure 16.
- Remove paper element. Remove and check foam filter if your unit has one. Clean the inside of base and cover thoroughly.
- Clean foam filter as follows.
Wash in water and detergent solution, and squeeze (do not twist) until all dirt is removed.
Rinse thoroughly in clear water.
Wrap in a clean cloth and squeeze (do not twist) until completely dry, or allow to air dry.
Saturate with engine oil and squeeze (do not twist) to distribute oil and remove excess oil.
- Replace foam filter making sure the screen side is towards the paper element. Secure with wing nut.
- If necessary, replace paper filter (do not attempt to clean).

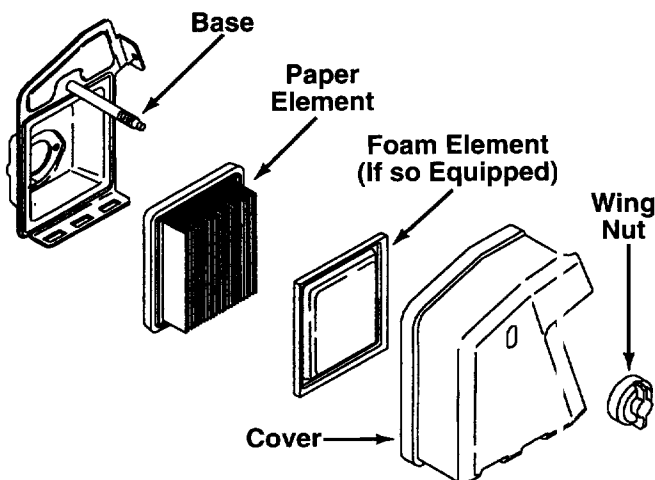


FIGURE 16.

CLEAN ENGINE

Clean engine periodically. Remove dirt and debris with a cloth or brush. Cleaning with a forceful spray of water is not recommended as water could contaminate the fuel system.

Yearly or every 25 hours of using, whichever occurs first, remove the air intake screen and blower housing, and clean the areas shown in figure 17 to avoid overspeeding, overheating and engine damage. Clean more often if necessary.



WARNING: PERIODICALLY CLEAN MUFFLER AREA TO REMOVE ALL GRASS, DIRT AND COMBUSTIBLE DEBRIS.

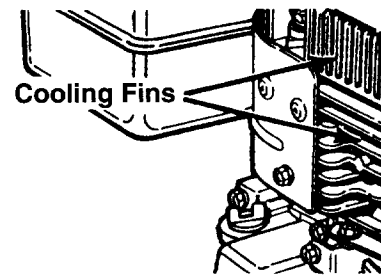


FIGURE 17.

SPARK PLUG

The spark plug should be cleaned and the gap reset to .030" at least once a season or after every 50 hours of operation. See figure 18. Spark plug replacement is recommended at the start of each season. Replace spark plug if electrodes are pitted, burned, fouled with deposits, or porcelain is cracked. Refer to engine parts list for correct spark plug type.

NOTE: Do not sandblast spark plug. Spark plug should be cleaned by scraping or wire brushing and washing with a commercial solvent.

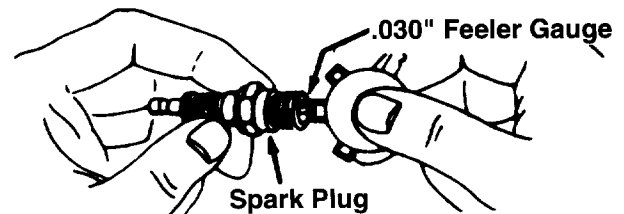


FIGURE 18.

MUFFLER

Do not operate the chipper-vacuum without a muffler or tamper with the exhaust system. Damaged mufflers or spark arresters could create a fire hazard. Inspect periodically, and replace if necessary. If your engine is equipped with a spark arrester screen assembly, remove after every 50 hours of using for cleaning and inspection. Replace if damaged.

SERVICE & ADJUSTMENT



WARNING: ALWAYS STOP ENGINE AND DISCONNECT SPARK PLUG WIRE AND MOVE IT AWAY FROM SPARK PLUG BEFORE PERFORMING ANY ADJUSTMENTS OR REPAIRS.

REMOVING THE FLAIL SCREEN

If the discharge area becomes clogged, remove the flail screen and clean area as follows.

- Stop the engine. Make certain the chipper-vacuum has come to a complete stop. Disconnect the spark plug wire before unclogging the discharge chute.
- Remove the vacuum bag from the unit.
- Remove the four self-tapping screws from the bottom of the discharge chute. (Be careful not to drop the hardware into the chute.) Remove the discharge chute assembly. See figure 19.

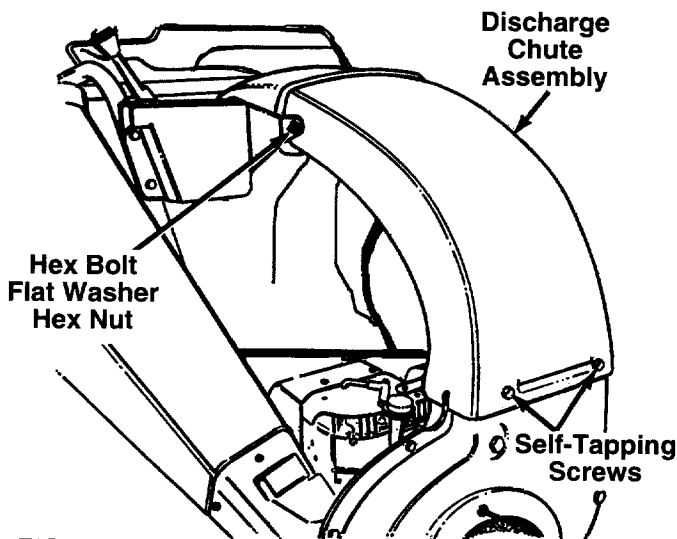


FIGURE 19.

- Remove the two hex bolts and hex nuts which extend through the housing. Lift the flail screen from inside the housing. See figure 20.

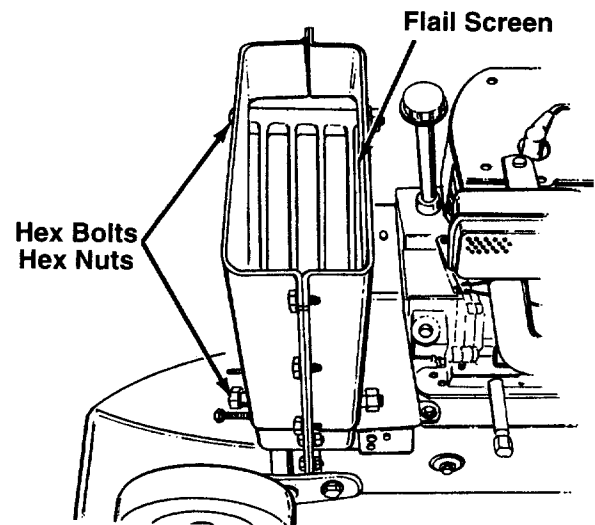


FIGURE 20.

- Clean the screen by scraping or washing with water. Reinstall the screen.

NOTE: Be certain to reassemble the flail screen with the curved side down as shown in figure 20.

SHARPENING OR REPLACING CHIPPER BLADES

- Disconnect the spark plug wire and move away from the spark plug.
- Remove the flail screen as instructed in the previous section.
- Remove the belt cover on the front of the engine by removing the two self-tapping screws. See figure 21.

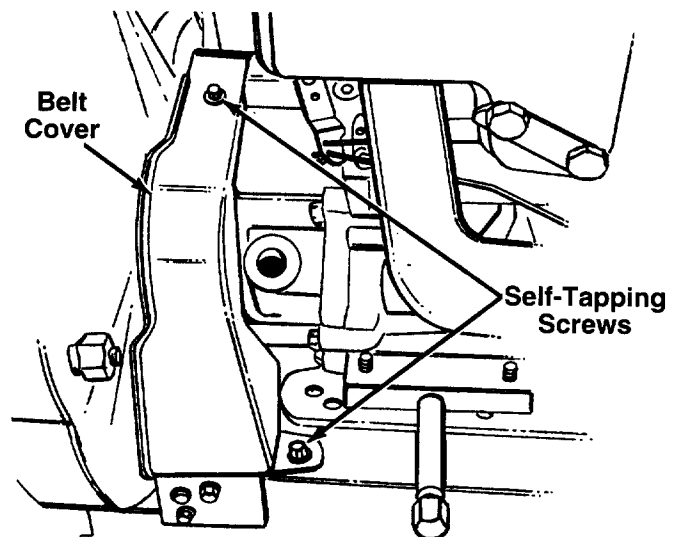


FIGURE 21.

- Remove the access plate by removing two hex lock nuts. See figure 22.

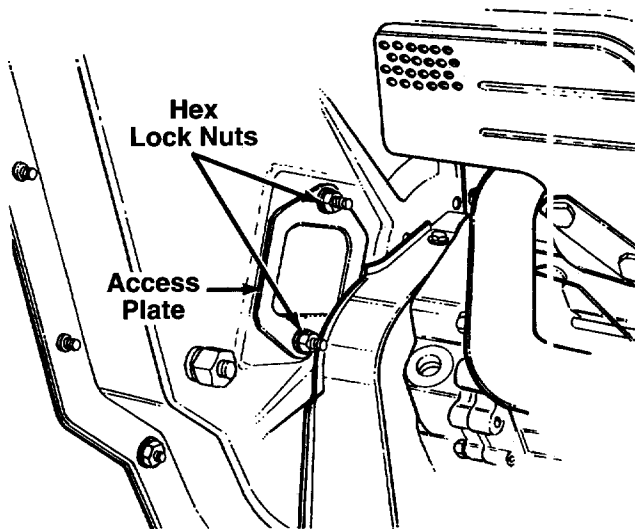


FIGURE 22.



WARNING: MAKE SURE TO WEAR HEAVY DUTY GLOVES FOR THIS JOB. WHILE ACCESSING THE CHIPPER BLADE, YOU MAY HAVE TO CLEAN THE SCREW HEAD OF DUST AND SHREDDED PARTICLES TO ENABLE THE ALLEN WRENCH TO OPERATE. HANDLE THE WRENCH CAREFULLY SO THAT YOU DO NOT CUT YOUR HAND ON THE CHIPPER BLADE.

- Locate one of the chipper blades in the access plate opening by rotating the impeller assembly by hand. Remove the blade using a 3/16" allen wrench on the outside of the blade and 1/2" wrench on the impeller assembly, inside the housing. Torque hardware to 250-350 inch pounds.
- Remove the other blade in the same manner. Replace or sharpen blades. If sharpening, make certain to remove an equal amount from each blade. Reassemble in reverse order.

NOTE: Make sure that the blades are reassembled with the sharp edge facing upward, as viewed from the access plate opening.

CHANGING THE FRICTION WHEEL RUBBER

The rubber on the friction wheel is subject to wear and should be checked after 50 hours of operation, and periodically thereafter. Replace friction wheel rubber if any signs of wear or cracking are found.

- Drain the gasoline and oil from the chipper-vacuum.
- Tip the unit backward so it rests on the handles.
- Remove the frame cover by removing eight self-tapping screws from underneath the chipper-vacuum. See figure 23.

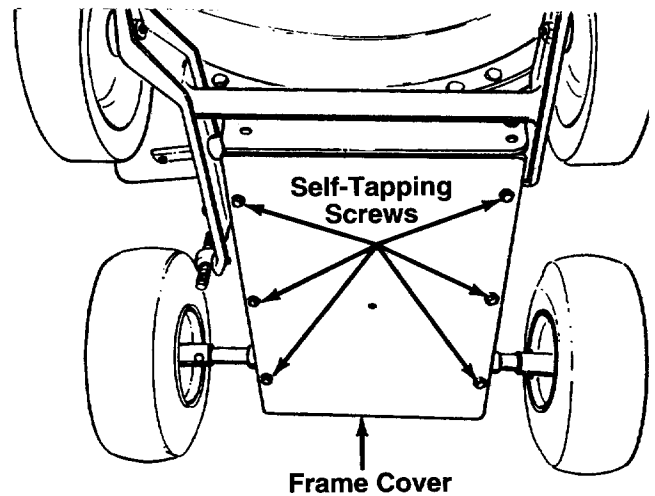


FIGURE 23.

- Remove the gear shaft from the unit by removing the hex bolts, lock washers and flat washers from each side of the frame. See figure 24. Hold the friction wheel assembly, and slide the gear shaft out of the unit toward the right side.

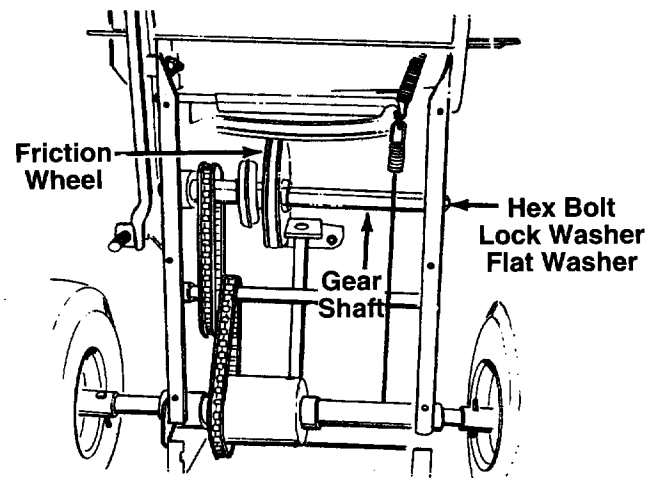


FIGURE 24.

- Remove the six screws from the friction wheel assembly (three from each side). Remove the friction wheel rubber from between the friction wheel plate.
- Reassemble new friction wheel rubber to the friction wheel assembly, tightening the six screws in rotation and with equal force.
- Slide the friction wheel assembly up onto the shift mechanism, then slide the gear shaft back into the unit. Reassemble in reverse order.
- Readjust the clutch cable. Refer to adjustment section.

ADJUSTING THE CLUTCH CABLE

To adjust the clutch cable, refer to the "Clutch Cable Adjustment" section of Assembly Instructions.

ADJUSTING THE SHIFT ROD

If the shift rod is at 1 or R1 position, but the unit does not show any forward or reverse movement as the case may be, the shift rod will need to be adjusted. See figure 25.

- Remove the bag from the unit.
- Remove the hairpin clip and the flat washer from the upper end of the shift rod.
- Pull the ferrule out of the hole in the shift lever. Make sure that you do not displace the wave washer from the ferrule.
- Place the shift lever in the 6th position which is all the way to the left.

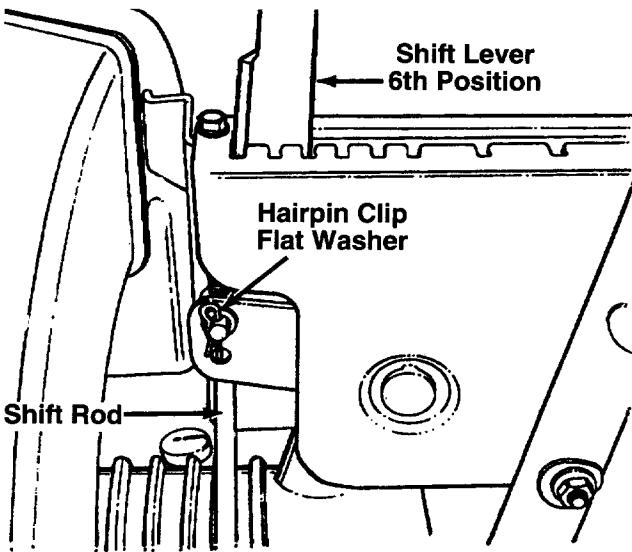


FIGURE 25.

- Push down on the shift rod.
- Thread the ferrule up or down the shift rod two turns so that the ferrule lines up with the upper hole in the shift lever.
- Secure the ferrule to the shift lever using the flat washer and the hairpin clip.

REPLACING THE BELT



WARNING: Disconnect the spark plug wire and move away from the spark plug.

- Remove the plastic belt cover on the front of the engine by removing two self-tapping screws. Refer to figure 21.
- Drain the gasoline and oil from the chipper-vacuum.
- Tip the unit backward so that it rests on the handles.
- Remove the frame cover by removing eight self-tapping screws from underneath the chipper-vacuum.
- Remove the idler pulley bracket as follows. See figure 26.
- Take the tension off the belt by pivoting the idler pulley toward you, and line up the holes in the idler bracket assembly. Insert a nail or similar object through the holes to hold the idler pulley in this position.
- Remove three self-tapping screws, and lift off the idler bracket assembly.

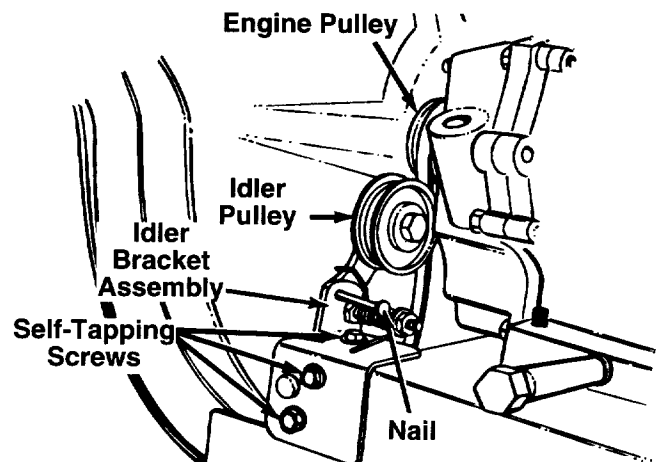


FIGURE 26.

- Remove the hex bolt and lock washer from the engine pulley. See figure 26. Slip the engine pulley off the engine shaft, and remove the belt from the pulley.
- Loosen the nut on the stop bolt until there is clearance between the support bracket and the friction wheel disc. See figure 27.
- Slip the belt between the friction wheel and friction wheel disc. Remove and replace belt. Reassemble following instruction in reverse order.

NOTE: The support bracket must rest on the stop bolt after the new belt has been assembled.

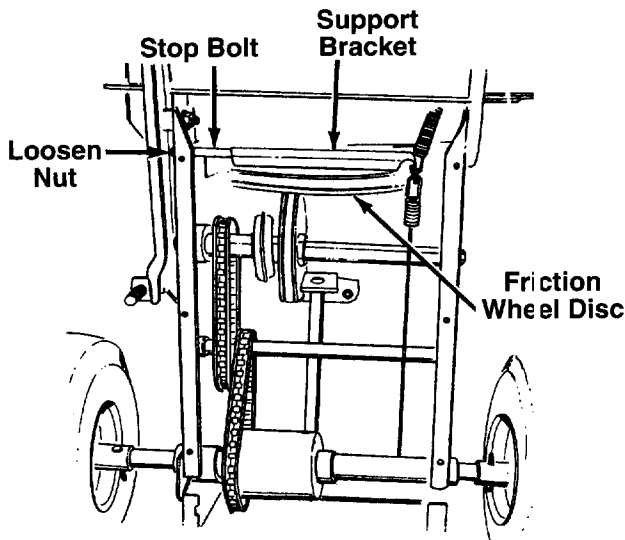


FIGURE 27.

ADJUSTING THE CARBURETOR



WARNING: IF ANY ADJUSTMENTS ARE MADE TO THE ENGINE WHILE THE ENGINE IS RUNNING (E.G. CARBURETOR), KEEP CLEAR OF ALL MOVING PARTS. BE CAREFUL OF HEATED SURFACES AND MUFFLER.

The carburetor has been pre-set at the factory and should not require adjustment. However, if your engine does not operate properly due to suspected carburetor problems, take your chipper-vacuum to your nearest SEARS Service Center.

SETTING ENGINE SPEED

Your engine speed has been factory set. Do not attempt to increase engine speed or it may result in personal injury. If you believe the engine is running too fast or too slow, take your chipper-vacuum to the nearest SEARS Service Center for repair and adjustment.

STORAGE

Prepare your chipper-vacuum for storage at the end of the season or if the unit will not be used for 30 days or more.



WARNING: NEVER STORE MACHINE WITH FUEL IN THE FUEL TANK INSIDE OF BUILDING WHERE FUMES MAY REACH AN OPEN FLAME OR SPARK, OR WHERE IGNITION SOURCES ARE PRESENT SUCH AS HOT WATER AND SPACE HEATERS, FURNACES, CLOTHES DRYERS, STOVES, ELECTRIC MOTORS, ETC.

NOTE: A yearly check-up by your local Sears Service Center is a good way to make certain your chipper-vacuum will provide maximum performance for the next season.

CHIPPER-VACUUM

- Clean the chipper-vacuum thoroughly.
- Wipe unit with an oiled rag to prevent rust (use a light oil or silicone).

ENGINE

IMPORTANT: IT IS IMPORTANT TO PREVENT GUM DEPOSITS FROM FORMING IN ESSENTIAL FUEL SYSTEM PARTS SUCH AS CARBURETOR, FUEL FILTER, FUEL HOSE, OR TANK DURING STORAGE. ALSO, EXPERIENCE INDICATES THAT ALCOHOL BLENDED FUELS (CALLED GASOHOL OR USING ETHANOL OR METHANOL) CAN ATTRACT MOISTURE WHICH LEADS TO SEPARATION AND FORMATION OF ACIDS DURING STORAGE. ACIDIC GAS CAN DAMAGE THE FUEL SYSTEM OF AN ENGINE WHILE IN STORAGE.

- Run the engine till the fuel tank is empty.
- Start the engine and let it run until the fuel lines and carburetor are empty.
- Never use engine or carburetor cleaner products in the fuel tank or permanent damage may occur.
- Use fresh fuel next season.

NOTE: Fuel stabilizer is an acceptable alternative in minimizing the formation of fuel gum deposits during storage. Add stabilizer to gasoline in fuel tank or storage container. Always follow the mix ratio found on stabilizer container. Run engine at least 10 minutes after adding stabilizer to allow the stabilizer to reach the carburetor. Do not drain the gas tank and carburetor if using fuel stabilizer.

- Drain all the oil from the crankcase (this should be done after the engine has been operated and is still warm) and refill the crankcase with fresh oil.
- If you have drained the fuel tank, protect the inside of the engine as follows. Remove spark plug, pour approximately 1/2 ounce (approximately one tablespoon) of engine oil into cylinder and crank slowly to distribute oil. Replace spark plug.

OTHER

- Do not store gasoline from one season to another.
- Replace your gasoline can if your can starts to rust. Rust and/or dirt in your gasoline will cause problems.
- Store unit in a clean, dry area. Do not store next to corrosive materials, such as fertilizer.

NOTE: If storing in an unventilated or metal storage shed, be certain to rustproof the equipment by coating with a light oil or silicone.

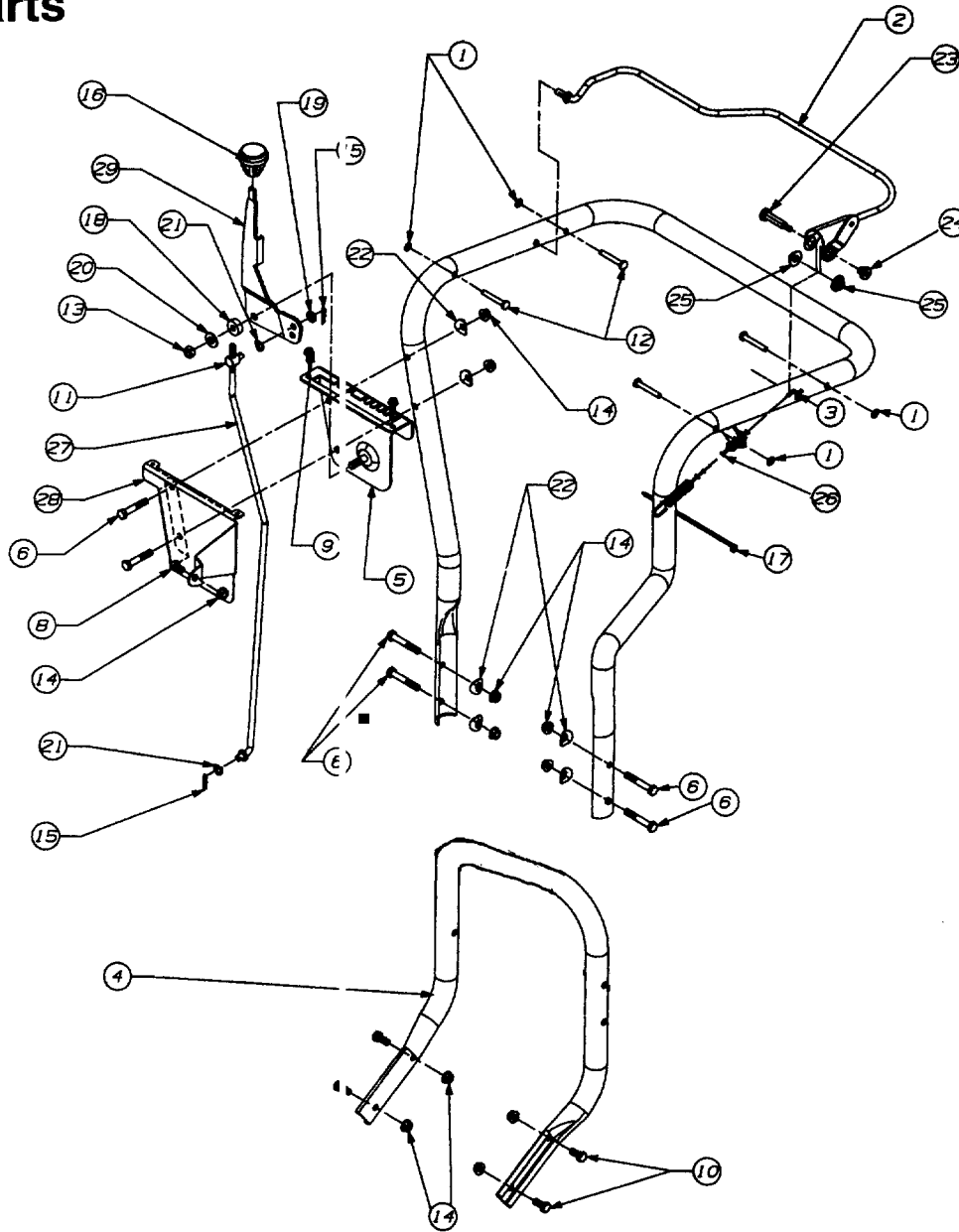
TROUBLE SHOOTING

PROBLEM	POSSIBLE CAUSE(S)	CORRECTIVE ACTION
Engine fails to start	<ul style="list-style-type: none"> ● Fuel tank empty, or stale fuel. ● Spark plug wire disconnected. ● Faulty spark plug. ● Nozzle safety switch not depressed. 	<ul style="list-style-type: none"> ● Fill tank with clean, fresh fuel. ● Connect wire to spark plug. ● Clean, adjust gap or replace. ● Adjust metal tab so it depresses the safety switch.
Loss of power; operation erratic	<ul style="list-style-type: none"> ● Spark plug wire loose. ● Unit running on CHOKE. ● Blocked fuel line or stale fuel. ● Water or dirt in fuel system. ● Carburetor out of adjustment. ● Dirty air cleaner. 	<ul style="list-style-type: none"> ● Connect and tighten spark plug wire. ● Move choke lever to OFF position. ● Clean fuel line; fill tank with clean fresh gasoline. ● Disconnect fuel line at carburetor to drain fuel tank. Refill with fresh fuel. ● Adjust carburetor or contact your SEARS Service Center. ● Service air cleaner. See Customer Responsibilities section of this manual.
Engine overheats	<ul style="list-style-type: none"> ● Carburetor not adjusted properly. ● Engine oil level low. 	<ul style="list-style-type: none"> ● Contact your SEARS Service Center. ● Fill crankcase with proper oil.
Too much vibration	<ul style="list-style-type: none"> ● Loose parts or damaged impeller. 	<ul style="list-style-type: none"> ● Stop engine immediately and disconnect spark plug wire. Tighten all bolts and nuts. Make all necessary repairs. If vibration continues, have unit serviced by a SEARS Service Center.
Unit does not discharge	<ul style="list-style-type: none"> ● Discharge chute clogged. ● Foreign object lodged in impeller. ● Vacuum bag is full. 	<ul style="list-style-type: none"> ● Stop engine immediately and disconnect spark plug wire. Clean flail screen and inside of blower housing. See Service/Adjustments section of this manual. ● Stop engine immediately and disconnect spark plug wire. Remove lodged object. ● Empty bag.
Rate of discharge slows considerably or composition of discharged material changes	<ul style="list-style-type: none"> ● Chipper blades dull. 	<ul style="list-style-type: none"> ● Sharpen or replace chipper blades.

NOTE: For repairs beyond the minor adjustments listed above, please contact your nearest SEARS Service Center.

SEARS CRAFTSMAN CHIPPER-VACUUM MODEL 247.799630

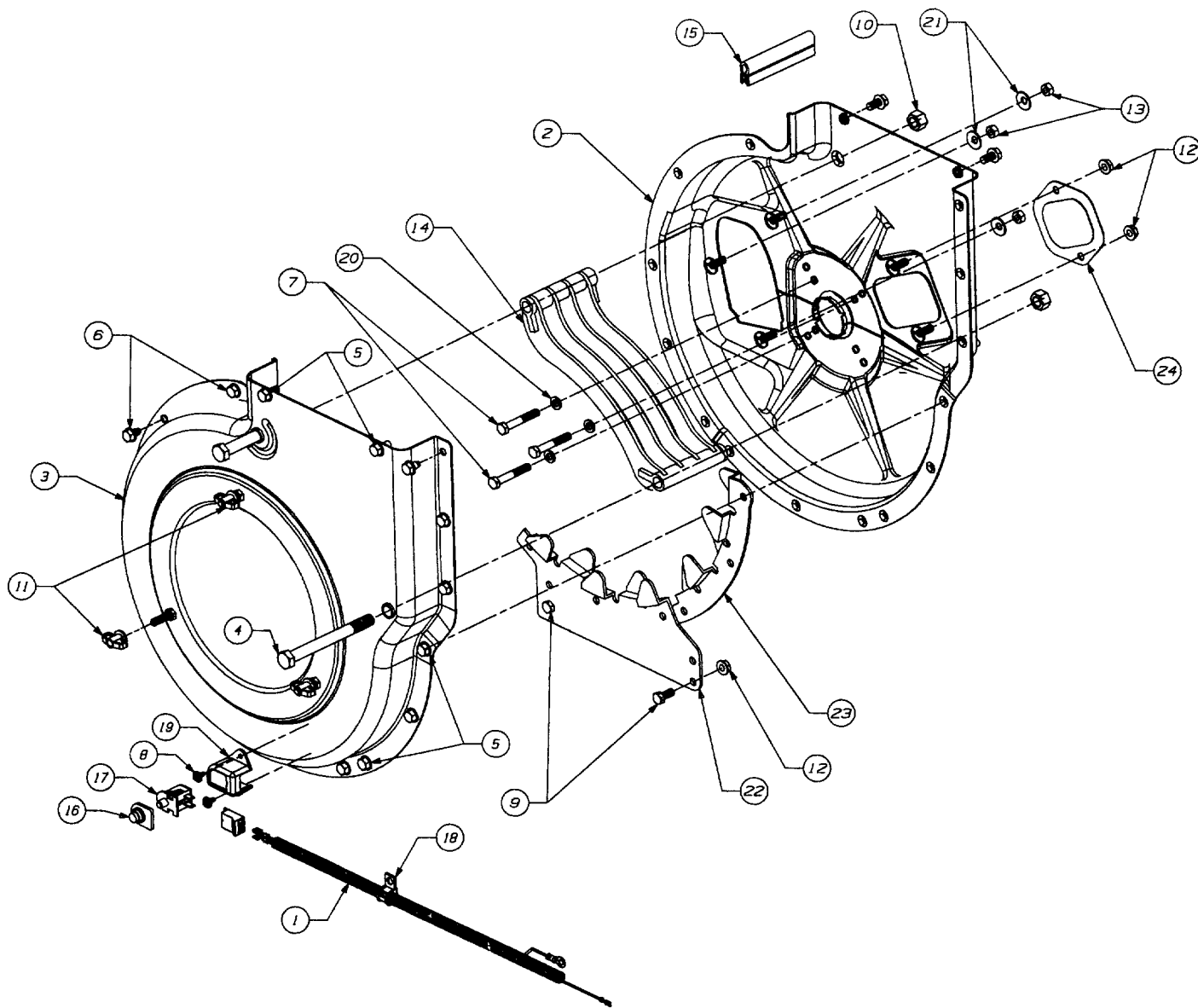
Repair Parts



REF. NO.	PART NO.	DESCRIPTION	QTY.	REF. NO.	PART NO.	DESCRIPTION	QTY.
1	1539-019	PUSHNUT	4	16	720-0232	KNOB-SHIFT	1
2	647-0019	CONTROL ASSY	1	17	725-0157	CABLE TIE	1
3	649-0008	HANDLE ASSY-UPPER	1	18	735-0126	WASHER-RUBBER	1
4	749-0957	HANDLE-LOWER	1	19	736-0264	WASHER-FLAT	1
5	681-0076	BRACKET ASSY-SHIFT	1	20	736-0300	WASHER-FLAT	1
6	710-0116	SCREW-HEX	6	21	736-0413	WASHER-SPRING	2
8	710-3008	SCREW-HEX	1	22	736-0451	WASHER-SADDLE	6
9	710-0896	SCREW-HEX	2	23	738-0560	SCREW-SHOULDER	1
10	710-3008	SCREW-HEX	4	24	738-0561	NUT-SHOULDER	1
11	711-0677	FERRULE	1	25	741-0402	BEARING-FLANGE PLASTIC	2
12	711-0737	PIN-STUD	4	26	746-0921	CABLE-CLUTCH	1
13	712-0116	NUT-HEX LOCK	1	27	747-0626	ROD-SHIFT	1
14	712-3004A	NUT-HEX LOCK	11	28	781-0626	COVER-SHIFT	1
15	714-0104	PIN-COTTER	2	29	784-0297A	HANDLE-SHIFT	1

SEARS CRAFTSMAN CHIPPER-VACUUM MODEL 247.799630

Repair Parts

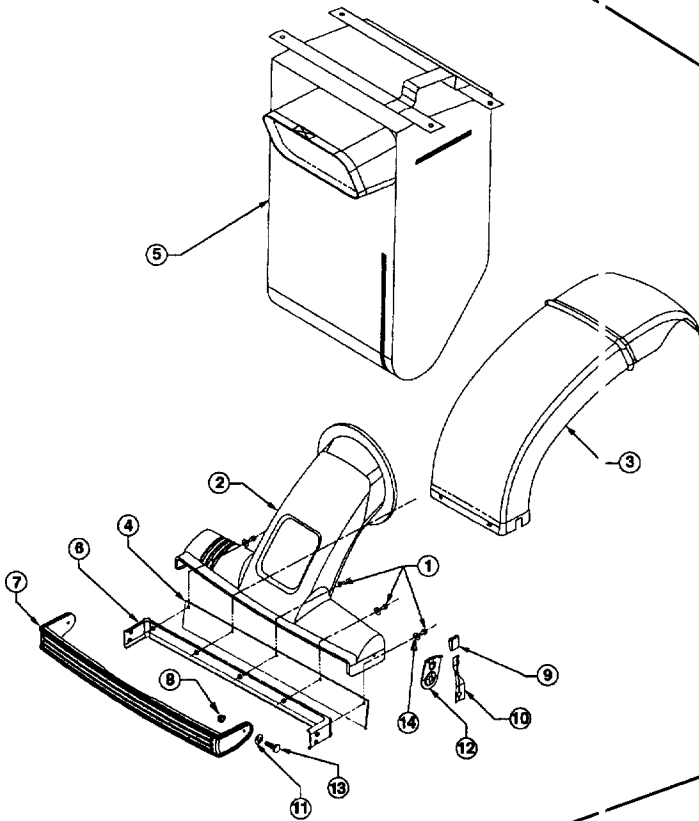
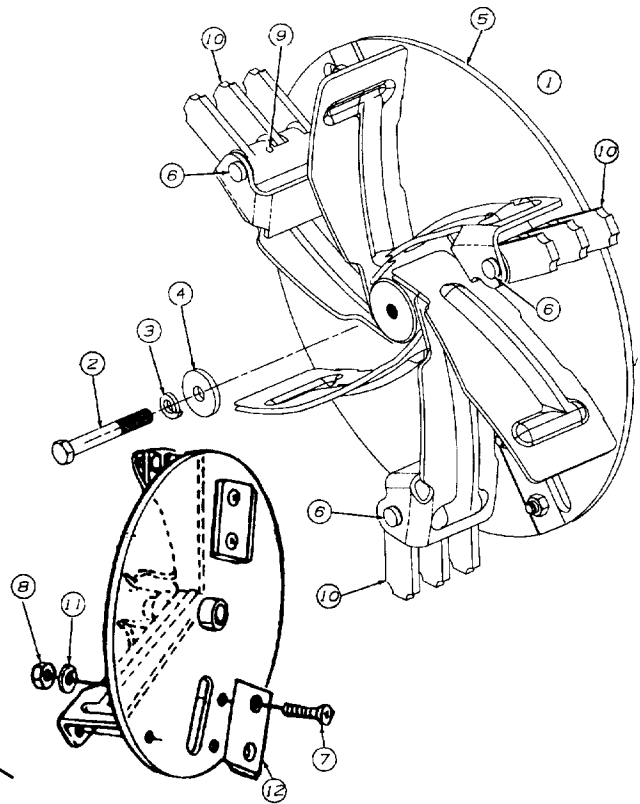


REF. NO.	PART NO.	DESCRIPTION	QTY.	REF. NO.	PART NO.	DESCRIPTION	QTY.
1	629-0241	HARNES—CHIPPER-VAC	1	13	712-3010	NUT-HEX (GR 5)	3
2	681-0059	HOUSING ASSY—INNER	1	14	719-0326	SCREEN	1
3	681-0060	HOUSING ASSY—OUTER	1	15	723-0438	SEAL-RUBBER	2
4	710-0382	SCREW-HEX	2	16	725-1700	COVER-SWITCH	1
5	710-0604	SCREW-HEX SELF TAP	10	17	725-3166	SNAP MOUNT SWITCH	1
6	710-0607	SCREW-HEX SELF TAP	8	18	726-0272	CLAMP	1
7	710-0772	SCREW-HEX	3	19	731-1613	COVER-SWITCH	1
8	710-1268	SCREW-HEX SELF TAP	2	20	736-0119	WASHER-LOCK	3
9	710-3008	SCREW-HEX	2	21	736-0242	WASHER-BELL	3
10	712-0384	NUT-HEX LOCK	2	22	781-0598	BLADE-FLAIL HOUSING	1
11	712-0421	KNOB	3	23	781-0599	BLADE-FLAIL HOUSING	1
12	712-3004A	NUT-HEX LOCK	4	24	781-0627	COVER-CHIPPER	1

SEARS CRAFTSMAN CHIPPER-VACUUM MODEL 247.799630

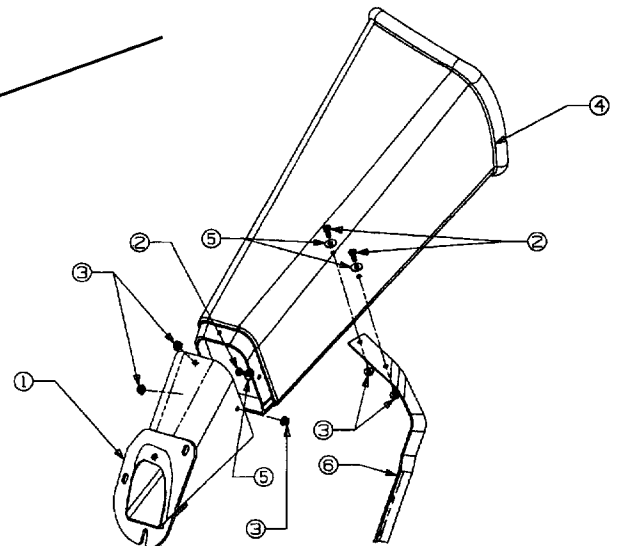
Repair Parts

REF. NO.	PART NO.	DESCRIPTION	QTY.
1	681-0051	IMPELLER ASSY COMP. (INCL. REF. NOS. 2 THRL 12)	1
2	710-1273	SCREW-HEX	1
3	736-0217	WASHER-LOCK	1
4	736-0247	WASHER-FLAT	1
5	681-0052	IMPELLER ASSY	1
6	711-0833B	PIN-CLEVIS	3
7	710-1054	SCREW-FLAT HEAD	4
8	712-0411	NUT-HEX LOCK	4
9	715-0162	PIN-ROLL SPRING	3
10	719-0329	BLADE-FLAIL	3
11	736-0119	WASHER-LOCK	4
12	781-0490	BLADE-CHIPPER	4



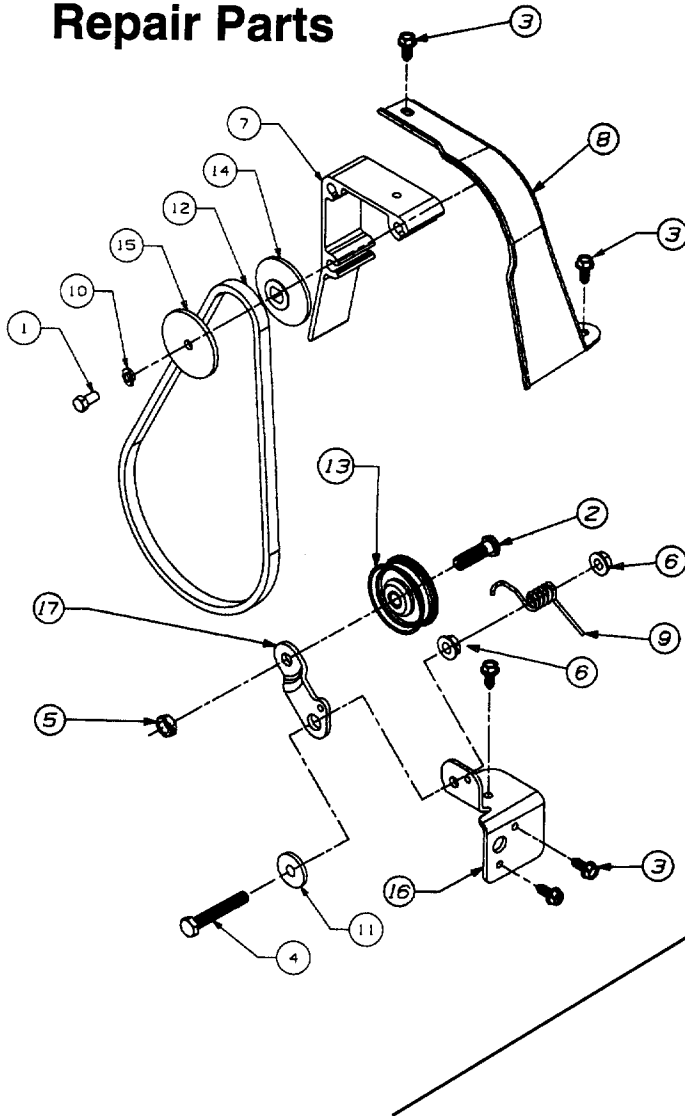
REF. NO.	PART NO.	DESCRIPTION	QTY.
1	710-0642	HEX WASHER SCREW	5
2	631-0043	NOZZLE ASSEMBLY	1
3	731-1608	CHUTE	1
4	735-0247	NOZZLE FLAP	1
5	764-0484	VACUUM BAG	1
6	781-0666	NOZZLE STABILIZER BRKT.	1
7	631-0033	NOZZLE DOOR ASSY	1
8	712-0431	FLANG. LOCK NUT	2
9	720-0190	HEIGHT ADJ. KNOB	2
10	732-0754	SPRING LEVER	2
11	736-3084	FL-WASHER	2
12	781-0637	NOZZLE DOOR BRKT.	2
13	738-0913	SHOULDER SCREW	2
14	736-0173	FLAT WASHER	5

REF. NO.	PART NO.	DESCRIPTION	QTY.
1	681-0068	CHUTE ASSEMBLY	1
2	710-0258	SCREW-HEX	5
3	712-3027	NUT-LOCK	5
4	731-1574	CHUTE-UPPER	1
5	781-0625	BRACKET SUPPORT	1
—	731-1617	TAMPER PLUG (Not Shown)	1
6	736-0173	WASHER	5



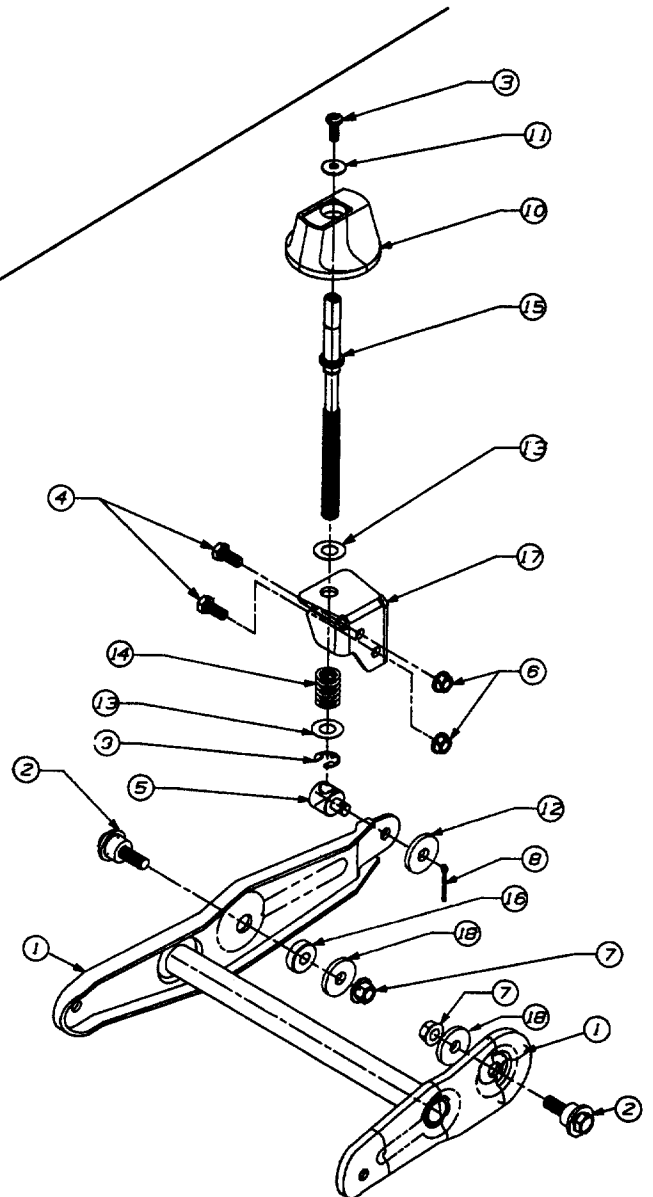
SEARS CRAFTSMAN CHIPPER-VACUUM MODEL 247.799630

Repair Parts

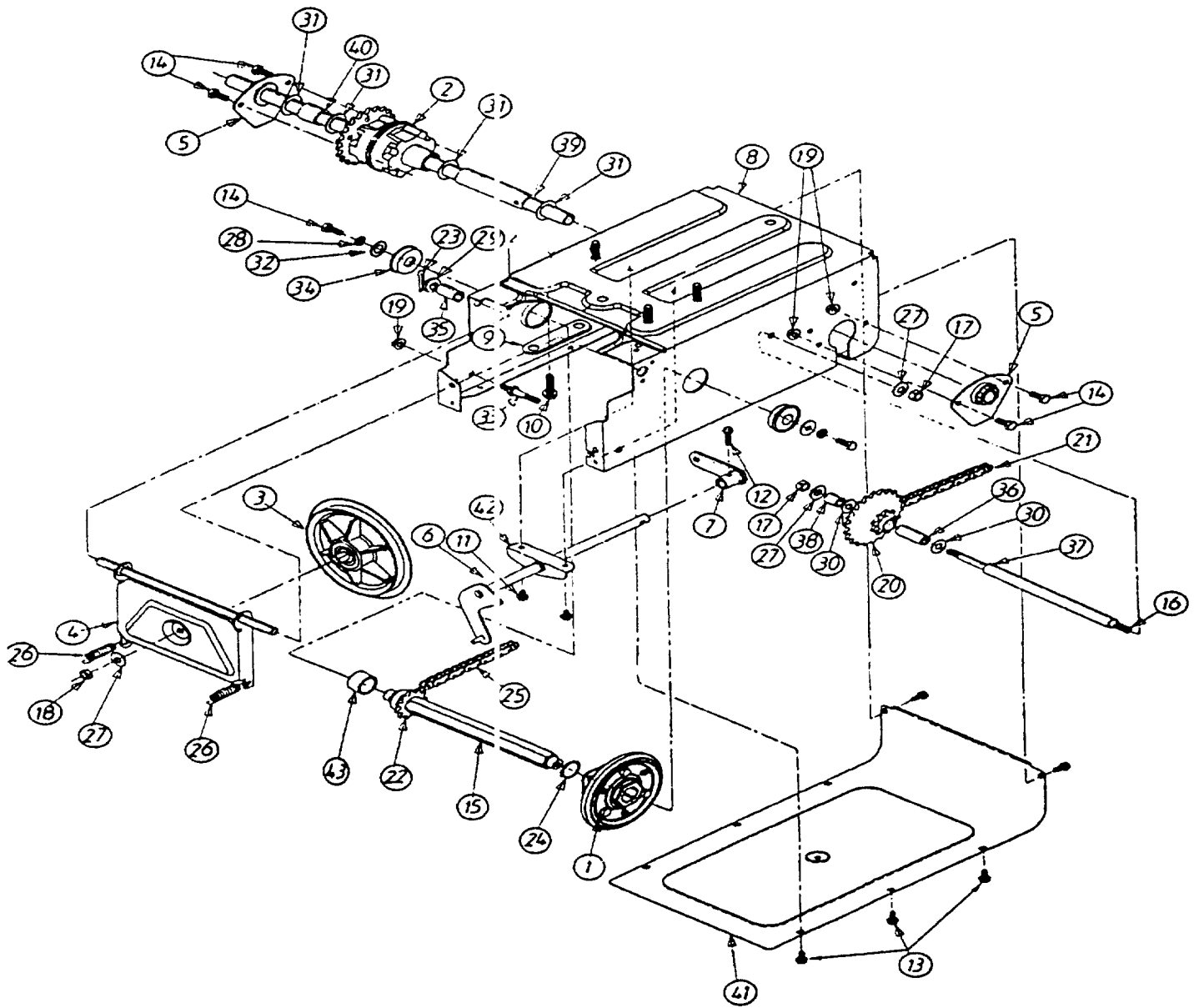


REF. NO.	PART NO.	DESCRIPTION	QTY.
1	710-0230	SCREW-HEX	1
2	710-0723	SCREW-HEX	1
3	710-0896	SCREW-HEX	5
4	710-0646	SCREW-HEX	1
5	712-0266	NUT-HEX LOCK	1
6	712-3004A	NUT-HEX LOCK FL	2
7	719-0330A	ADAPTER-MOUNTING	1
8	731-1646	COVER-BELT	1
9	732-0745	SPRING-TORSION	1
10	736-0329	WASHER-LOCK	1
11	748-0234	SHOULDER SPACER	1
12	754-0450	V-BELT	1
13	756-0313	IDLER-FLAT	1
14	756-0985	PULLEY	1
15	756-0984	PULLEY	1
16	781-0667	BRACKET-IDLER PIVOT	1
17	781-0614	BRACKET-IDLER	1

REF. NO.	PART NO.	DESCRIPTION	QTY.
1	681-0096	BRKT. ASSY.-WHEEL PIVOT	1
2	738-0955	SCREW-SHOULDER	2
3	710-0924	SCREW-MACHINE PAN HD.	1
4	710-3008	SCREW-HEX	2
5	711-1041	FERRULE-ADJUSTABLE	1
6	712-3004A	NUT-HEX FLANGE	2
7	712-0431	NUT-HEX FLANGE LOCK	2
8	714-0115	PIN-COTTER	1
9	716-0104	E-RING	1
10	720-0236	PLASTIC KNOB	1
11	736-0270	BELL WASHER	1
12	736-0300	FLAT WASHER	1
13	736-0369	FLAT WASHER	2
14	732-0645	COMPRESSION SPRING	1
15	747-0631	ADJUSTABLE ROD	1
16	711-0242	SPACER	1
17	781-0605	BRKT.-HEIGHT ADJ.	1
18	736-0247	FLAT WASHER	2



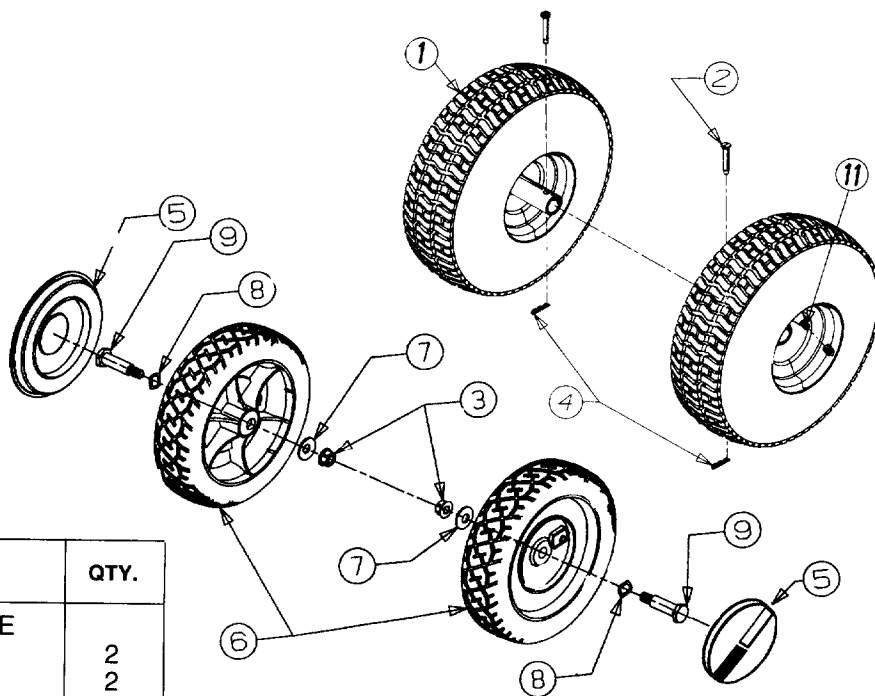
SEARS CRAFTSMAN CHIPPER-VACUUM MODEL 247.799630
Repair Parts



SEARS CRAFTSMAN CHIPPER-VACUUM MODEL 247.799630

Repair Parts

REF. NO.	PART NO.	DESCRIPTION	QTY.	REF. NO.	PART NO.	DESCRIPTION	QTY.
1	684-0042A	FRICITION WHEEL ASSY	1	23	714-0474	COTTER PIN	1
2	618-0168	DIFFERENTIAL ASSY COMP.	1	24	716-0102	SNAP RING	1
3	656-0012A	FR. WHEEL DISC ASSY	1	25	713-0284	CHAIN	1
4	681-0055	SUPPORT BRKT. ASSY	1	26	732-0209	EXTENSION SPRING	2
5	681-0058	AXLE BRKT. ASSY	2	27	736-0105	WASHER-BELL	3
6	681-0082	SHAFT ASSY-SHIFT	1	28	736-0119	WASHER-LOCK	2
7	681-0072	ARM ASSY-SHIFT	1	29	736-0160	WASHER-FLAT	1
8	681-0081	FRAME ASSY	1	30	736-0267	WASHER-FLAT	2
9	781-0638A	FRAME PLATE	1	31	736-0287	WASHER-FLAT	4
10	710-0502A	SCREW-HEX SELF-TAP.	4	32	736-3089	WASHER-FLAT	2
11	710-0653	SCREW-HEX WASHER	2	33	738-0908	IDLER BOLT	1
12	710-0788	SCREW-HEX WASHER	1	34	741-0563	BALL BEARING	2
13	710-0896	SCREW-HEX	8	35	748-0382	SPACER	1
14	710-3008	SCREW-HEX	6	36	750-0351	SLEEVE	1
15	711-1073	SHAFT-HEX	1	37	750-0978	SPACER	1
16	711-1028	SHAFT-JACK	1	38	750-0979	SPACER	1
17	712-0241	NUT-HEX	2	39	750-0980	SPACER	1
18	712-0711	NUT-HEX JAM	1	40	750-0981	SPACER	1
19	712-3004A	NUT-HEX FLANGE LOCK	5	41	781-0612A	FRAME COVER	1
20	713-0330	SPROCKET & HUB	1	42	784-5590	SHIFT BRACKET	1
21	713-0374	CHAIN	1	43	750-0998	SPACER	1
22	713-0413	SPROCKET 10T	1				

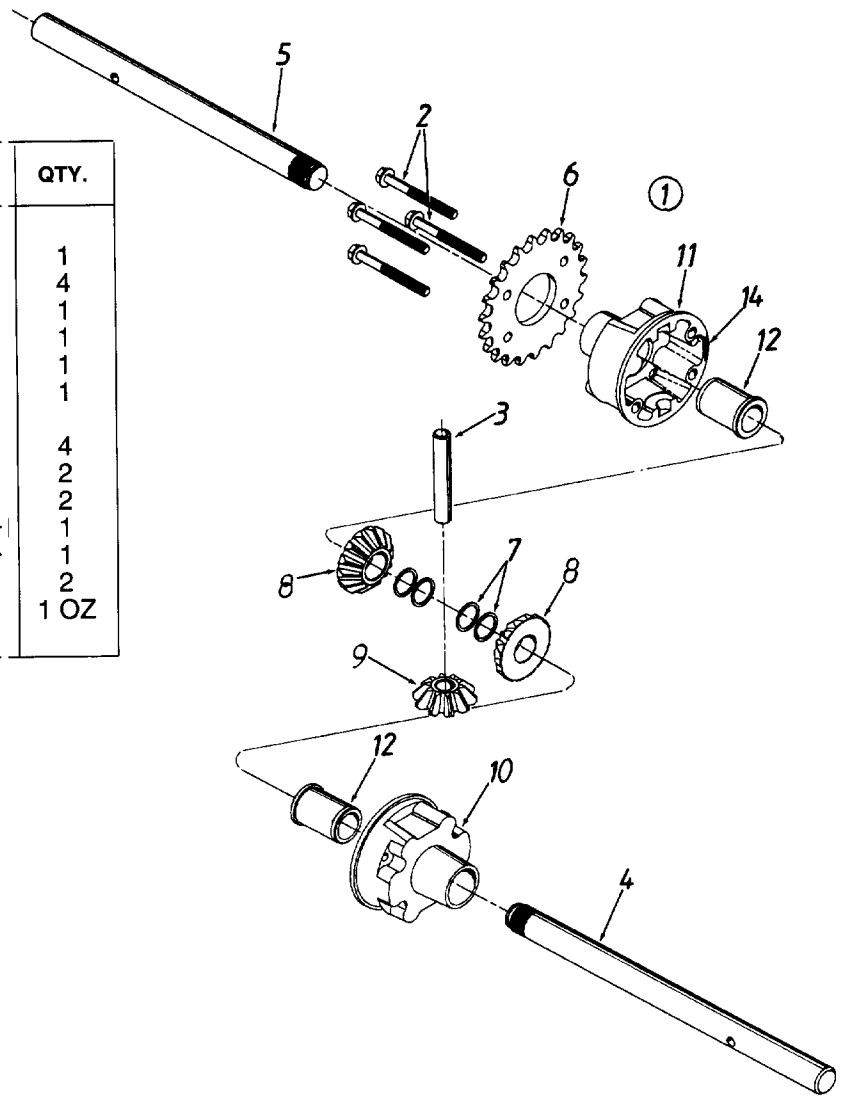


REF. NO.	PART NO.	DESCRIPTION	QTY.
1	634-0118	WHEEL ASSY COMPLETE 4" X 10"	2
	634-0101	RIM ASSY COMPLETE	2
	734-0210	TIRE PNEUMATIC 4" X 10"	2
2	711-1017	PIN-CLEVIS	2
3	712-0431	NUT-HEX FLANGE	2
4	714-0104	PIN-COTTER	2
5	720-0249	HUB CAP	2
6	734-1513B	WHEEL 2" X 8"	2
7	736-0105	WASHER-BELL	2
8	736-0232	WASHER-WAVE	2
9	738-0213	SCREW-SHOULDER	2
10	734-0255	VALVE STEM	2

SEARS CRAFTSMAN CHIPPER-VACUUM MODEL 247.799630

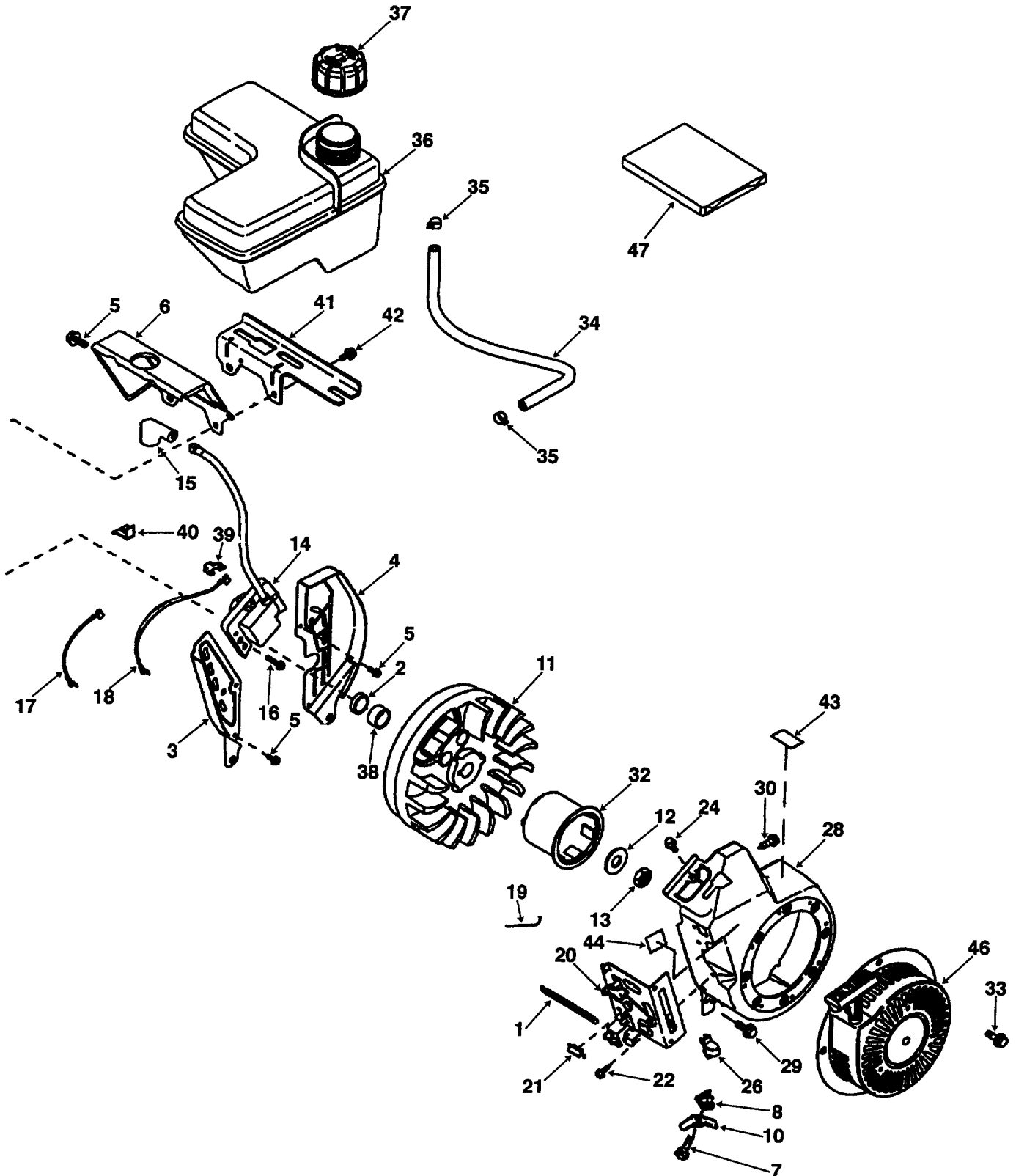
Repair Parts

REF. NO.	PART NO.	DESCRIPTION	QTY.
1	618-0168	DIFFERENTIAL ASSY COMPLETE	1
2	710-1206	SCREW-HEX	4
3	711-1035	SHAFT-CROSS	1
4	711-1037	AXLE-SHAFT 10.95" LONG	1
5	711-1038	AXLE-SHAFT 9.82" LONG	1
6	713-0445	SPROCKET 22 T	1
7	716-0232	RING-RETAINING (2 PER AXLE)	4
8	717-1358	GEAR-DIFFERENTIAL 14T	2
9	717-1437	GEAR-DIFFERENTIAL 10T	2
10	719-0333	HOUSING-DIFFERENTIAL RH	1
11	719-0334	HOUSING-DIFFERENTIAL LH	1
12	748-0383	BEARING-FLANGE	2
13	737-0300	GREASE	1 OZ
14	—	SEALANT-LOCTITE 5699	



SEARS CRAFTSMAN 5.5 H.P. ENGINE MODEL NO. 143.965501
FOR CHIPPER-VACUUM MODEL NO. 247.799630

Repair Parts



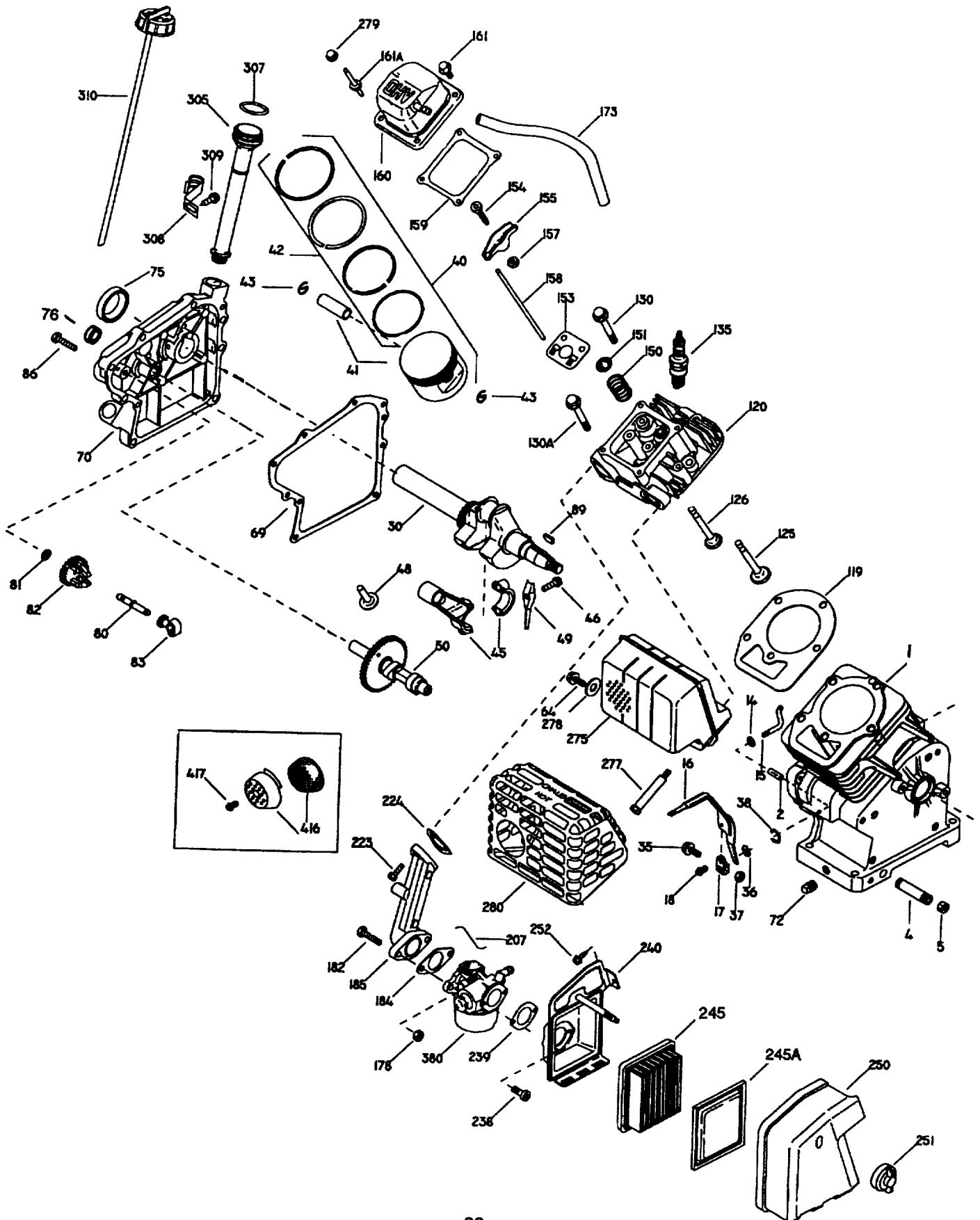
**SEARS CRAFTSMAN 5.5 H.P. ENGINE MODEL NO. 143.965501
FOR CHIPPER-VACUUM MODEL NO 247.799630**

Repair Parts

KEY NO.	PART NO.	DESCRIPTION	KEY NO.	PART NO.	DESCRIPTION
1	36710	Extension Spring	22	650821	Screw, 10-32 x 1/2"
2	32600	Oil Seal	26	36638	Control Knob
3	36621	Air Baffle (Left)	28	36753	Blower Housing
4	36622	Air Baffle (Right)	29	651008	Screw, 1/4-20 x 31/64" Thd.
5	30200	Screw, 10-24 x 9/16" Thd.	30	650821	Screw, 10-32 x 1/2"
6	36623	Blower Housing Extensior	32	35985B	Starter Cup
7	650760	Screw 8-32 x 3/8" Thd.	33	—	Rivet (Can Be Purchased Locally)
8	28545	Grommet	34	30705	Fuel Line
10	33356	Ground Terminal	35	26460	Fuel Line Clamp
11	611205	Flywheel	36	36752	Fuel Tank
12	650815	Belleville Washer	37	36246	Fuel Cap
13	650816	Flywheel Nut	38	34080	Spacer
14	34443A	Solid State Ignition	39	33177	Terminal
15	610118	Spark Plug Cover	40	29443	Wire Clip
16	651007	Torx Screw T-15, 10-24 x 15/16" Thd.	41	36644	Fuel Tank Bracket
17	36681	Ground Wire	42	651010	Screw, 1/4-20 x 7/8" Thd.
18	36054	Ground Wire	43	36261	Lubrication Decal
19	36711	Governor Link	44	33107	Speed Control Decal
20	36712	Control Bracket	46	590736	Rewind Starter
21	610973	Terminal	47	36720	Gasket Set

SEARS CRAFTSMAN 5.5 H.P. ENGINE MODEL NO. 143.965501
FOR CHIPPER-VACUUM MODEL NO. 247.799630

Repair Parts



**SEARS CRAFTSMAN 5.5 H.P. ENGINE MODEL NO. 143.965501
FOR CHIPPER-VACUUM MODEL NO. 247.799630**

Repair Parts

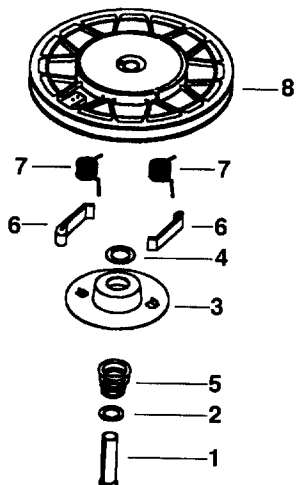
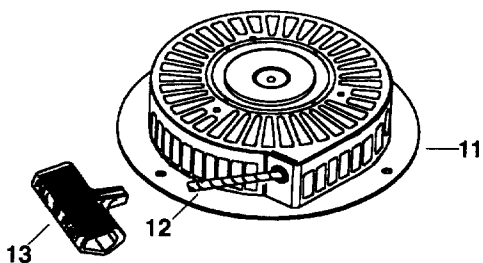
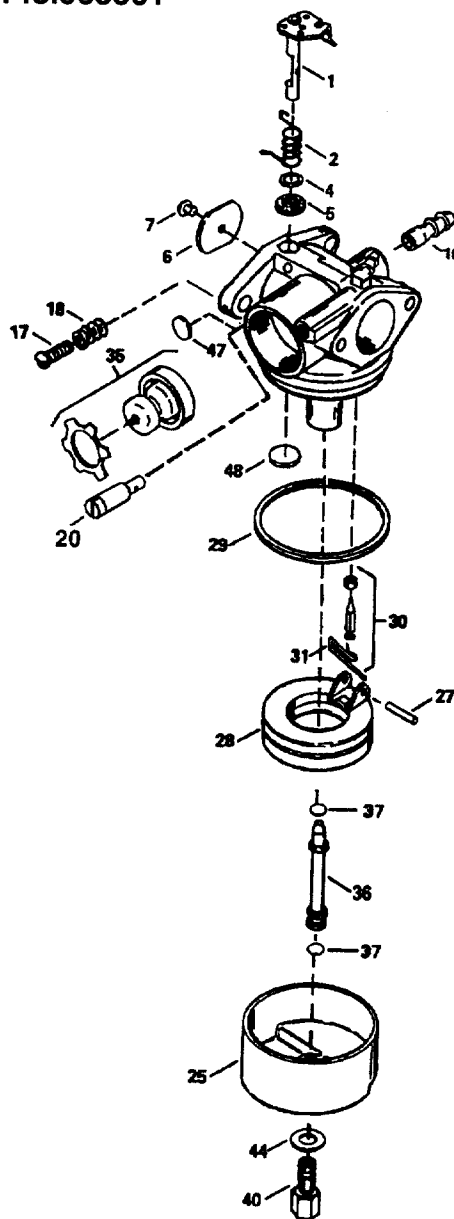
KEY NO.	PART NO.	DESCRIPTION	KEY NO.	PART NO.	DESCRIPTION
1	36718	Cylinder (Incl. 2, 20 & 72)	126	29315C	Intake Valve (1/32" O.S.) (Incl. 151)
2	26727	Dowel Pin	130	650912	Screw, 5/16-18 x 1-1/2"
4	32678	Oil Drain Extension	130A	650999	Screw, 5/16-18 x 2-41/64"
5	30969	Extension Cap	135	34645	Resistor Spark Plug (N4C)
14	28277	Washer	150	31672	Valve Spring
15	30589	Governor Rod	151	31673	Valve Spring Cap
16	36618	Governor Lever	153	36649	Push Rod Guide
17	36700	Governor Lever Clamp	154	650913	Rocker Arm Stud
18	650548	Screw, 8-32 x 5/16"	155	35624A	Rocker Arm
30	36831	Crankshaft	157	650914	Nut, 1/4-28
35	29826	Screw, 10-32 x 3/4"	158	36629	Push Rod
36	29918	Lock Washer	159	35626	Rocker Arm Cover Gasket
37	29216	Lock Nut, 10-32	160	36630A	Rocker Arm Cover
38	29642	Retaining Ring	161	651008	Screw, 1/4-20 x 31/64"
40	40004	Piston, Pin & Ring Set (Std.)	161A	651012	Stud
40	40005	Piston, Pin & Ring Set (.010" O.S.)	173	36675	Breather Tube
41	36070	Piston & Pin Ass'y. (Std.) (Incl. 43)	178	650852	Nut, 1/4-20
41	36071	Piston & Pin Ass'y. (.010" O.S.) (Incl. 43)	182	650451	Screw, 1/4-20 x 1"
42	40006	Ring Set (Std.)	184	26756	Carburetor to Intake Pipe Gasket
42	40007	Ring Set (.010" O.S.)	185	36631	Intake Pipe
43	20381	Piston Pin Retaining Ring	207	36632	Throttle Link
45	32875A	Connecting Rod Ass'y. (Incl. 46 & 49)	223	650451	Screw, 1/4-20 x 1"
46	32610A	Connecting Rod Bolt	224	36581	Intake Pipe Gasket
48	35616	Valve Lifter	238	28820	Screw, 10-32 x 1/2"
49	36611	Oil Dipper	239	27272A	Air Cleaner Gasket
50	36725	Camshaft	240	36633	Air Cleaner Body (Incl. 239)
64	651015	Screw, 1/4-20 x 1-1/8"	245	36046	Air Cleaner Filter
69	36624	Cylinder Cover Gasket	245A	36634	Air Cleaner Filter (Poly)
70	36724	Cylinder Cover (Incl. 75 thru 83)	250	36635	Air Cleaner Cover
72	27642	Oil Drain Plug	251	650886	Wing Nut
75	27897	Oil Seal	252	650821	Screw, 10-32 x 1/2"
76	30318	Oil Seal	275	36722	Muffler
80	30574A	Governor Shaft	277	651009	Screw, Torx T-30, 1/4-20 x 2-9/32"
81	30590A	Washer	278	36674	Spacer
82	30591	Governor Gear Ass'y. (Incl. 81)	279	650852	Nut & Lock Washer
83	36057	Governor Spool	280	36642	Heat Shield
86	650488	Screw, 1/4-20 x 1-1/4"	305	35554	Oil Fill Tube
89	610961	Flywheel Key	307	35499	"O"-Ring
119	36719	Cylinder Head Gasket	308	36651	Fill Tube Clip
120	36721	Cylinder Head	309	651011	Screw, 10-32 x 5/16"
125	36471	Exhaust Valve (Std.) (Incl. 151)	310	36640	Dipstick
125	36472	Exhaust Valve (1/32" O.S.) (Incl. 151)	380	640025	Carburetor (Incl. 184)
126	29314B	Intake Valve (Std.) (Incl. 151)	416	36085	Spark Arrestor Kit (Incl. 417)
			417	650760	Screw, 8-32 x 3/8"

**SEARS CRAFTSMAN 5.5 H.P. ENGINE MODEL NO. 143.965501
FOR CHIPPER-VACUUM MODEL NO. 247.799630**

Repair Parts

PARTS LIST FOR CARBURETOR

KEY NO.	PART NO.	DESCRIPTION
—	640025	Carburetor (Incl. 184 or Engine Parts List)
1	631615	Throttle Shaft & Lever Assembly
2	631767	Throttle Return Spring
4	631184	Dust Seal Washer
5	631183	Dust Seal (Throttle)
6	631036	Throttle Shutter
7	650506	Shutter Spring
16	632164	Fuel Filter
17	650417	Throttle Lock Screw/Idle Speed Screw
18	630766	Tension Spring
20	640018	Restrictor Screw
25	631867	Float Bowl
27	631024	Float Shaft
28	632019	Float
29	631028	Float Bowl "O"-Ring
30	631021	Inlet Needle, Seat, & Clip (Incl. 31)
31	631022	Spring Clip
35	36045	Primer Bulb/Retainer Ring
36	640019	Main Nozzle Tube
37	632547	"O"-Ring, Main Nozzle Tube
40	640015	High Speed Bowl Nut
44	27110	Bowl Nut Washer
47	630748	Welch Plug, Idle Mixture Well
48	631027	Welch Plug, Atmospheric Vent



PARTS LIST FOR RECOIL STARTER

KEY NO.	PART NO.	DESCRIPTION
—	590736	Rewind Starter
1	590599A	Spring Pin (Incl. 4)
2	590600	Washer
3	590696	Retainer
4	590601	Washer
5	590697	Brake Spring
6	590698	Starter Dog
7	590699	Dog Spring
8	590700	Pulley & Rewind Spring Ass'y.
11	590705	Starter Housing Ass'y.
12	590535	Starter Rope (98" x 9/64" Dia.)
13	590701	Starter Handle

TABLA DE LOCALIZACION DE FALLAS

PROBLEMA	CAUSA	CORRECTIVE ACTION
El motor no arranca	<ul style="list-style-type: none"> • Tanque de combustible vacío, • o combustible rancio. • Está desconectado el conductor de la bujía. • Bujía defectuosa. • El interruptor de seguridad de la boquilla no está accionado. 	<ul style="list-style-type: none"> • Llene el tanque con combustible limpio y fresco. • Conecte el conductor a la bujía. • Limpie, ajuste la separación o reemplace. • Ajuste la aleta de metal de manera de accionar el interruptor de seguridad.
Pérdida de potencia, funcionamiento errático	<ul style="list-style-type: none"> • El conductor de la bujía está flojo. • La unidad está funcionando en CHOKE • La tubería de combustible está bloqueada o combustible rancio. • Agua o combustible en el sistema de combustible. • El carburador está desajustado. • Filtro de aire sucio. 	<ul style="list-style-type: none"> • Conecte y ajuste el conductor de la bujía. • Mueva la palanca del regulador a la posición OFF. • Limpie la tubería de combustible; llene el tanque con gasolina limpia y fresca. • Desconecte la tubería de combustible en el carburador para drenar el tanque de combustible. • Llene con combustible fresco. • Ajuste el carburador o consulte con su Centro de Servicio SEARS. • Limpie el filtro de aire. Vea la sección de Responsabilidades del Cliente de este manual.
El motor se sobrecalienta	<ul style="list-style-type: none"> • El carburador no está ajustado apropiadamente. • El nivel de aceite del motor es bajo. 	<ul style="list-style-type: none"> • Consulte con su Centro de Servicio SEARS. • Llene el cárter con aceite apropiado.
Demasiada vibración	<ul style="list-style-type: none"> • Piezas flojas o hélice dañada. 	<ul style="list-style-type: none"> • Apague inmediatamente el motor y desconecte el conductor de la bujía. Ajuste todos los pernos y tuercas. Efectúe todas las reparaciones necesarias. Si continúa la vibración haga reparar la unidad en un Centro de Servicio SEARS.
La unidad no descarga	<ul style="list-style-type: none"> • Está taponada la canalleta de descarga. • Hay un objeto extraño en la hélice. • La bolsa de la aspiradora está llena. 	<ul style="list-style-type: none"> • Apague inmediatamente el motor y desconecte el conductor de la bujía. Limpie el tamiz de la desgranadora y el interior de la armadura del ventilador. Vea la sección de Servicio/Ajustes de este manual. • Apague inmediatamente el motor y desconecte el conductor de la bujía. Retire el objeto atrapado. Vacíe la bolsa.
La velocidad de descarga disminuye considerablemente o cambia la composición del material descargado.	<ul style="list-style-type: none"> • Las cuchillas de la astilladora están desafiladas. 	<ul style="list-style-type: none"> • Afíle o reemplace las cuchillas de la astilladora.

NOTA: Por favor consulte con su Centro de Servicio SEARS más cercano para reparaciones diferentes a los ajustes menores listados arriba.

ADVERTENCIA: MANTENGASE ALEJADO DE TODAS LAS PIEZAS MOVILES, EJERZA CUIDADO CON LAS SUPERFICIES CALIENTES Y CON EL SILENCIADOR, SI SE EFECTUAN AJUSTES AL MOTOR MIENTRAS EL MOTOR ESTA FUNCIONANDO (POR EJ. EL CARBURADOR).



AJUSTE DEL CARBURADOR

El carburador ha sido ajustado de fábrica y no debe requerir ajustes. Sin embargo, si su motor no funciona apropiadamente debido a problemas sospechosos del carburador, lleve su astilladora-aspiradora a su Centro de Servicio Sears más cercano.

GRADUACION DE LA VELOCIDAD DEL MOTOR

La velocidad de su motor ha sido graduada de fábrica. No intente incrementar la velocidad del motor o puede resultar en lesiones personales. Si usted piensa que el motor está funcionando demasiado rápido o demasiado lento, lleve su astilladora-aspiradora a su Centro de Servicio Sears más cercano para reparar y ajustar.

ALMACENAMIENTO

- Arranque el motor y permita que funcione hasta que las tuberías de combustible y el carburador estén vacíos.
- Nunca use productos limpiadores del motor o del carburador en el tanque de combustible ya que puede ocurrir un daño permanente.
- Use combustible fresco la próxima temporada.

NOTA: El estabilizador de combustible es una alternativa aceptable para minimizar la formación de depósitos de goma del combustible durante el almacenamiento. Agregue el estabilizador a la gasolina en el tanque de combustible o recipiente de almacenamiento. Siempre siga la proporción de mezcla de combustible indicada en el recipiente del estabilizador. Después de agregar estabilizador haga funcionar el motor durante 10 minutos por lo menos, para permitir que el estabilizador llegue al carburador. No drene el tanque de combustible ni el carburador si usa el estabilizador de combustible.

- Drene todo el aceite del cárter (esto debe hacerse después que ha funcionado el motor y está todavía caliente) y llene el cárter con aceite fresco.
- Si usted ha drenado el tanque de combustible, proteja el interior del motor como sigue. Retire la bujía, vierta 1/2 aproximadamente (una cucharada de té) de aceite de motor dentro del cilindro e intente arrancar lentamente para distribuir el aceite. Vuelva a colocar la bujía.

OTRO

- No almacene gasolina de una temporada a la otra.
- Reemplace su recipiente de gasolina si comienza a oxidarse. La oxidación y/o la suciedad en su gasolina causará problemas.
- Almacene la unidad en un área limpia y seca. No almacene cerca de materiales corrosivos, tal como fertilizantes.

NOTA: Si se almacena en una casilla no ventilada o de metal, asegúrese de proteger contra el óxido el equipo recubriéndolo con un aceite liviano o siliconas.

Prepare inmediatamente su astilladora-aspiradora para almacenamiento al final de la temporada o si no se usará durante 30 días o más.

ADVERTENCIA: NUNCA ALMACENE LA MAQUINA CON COMBUSTIBLE EN EL TANQUE DE COMBUSTIBLE, DENTRO DE UN EDIFICIO DONDE LOS HUMOS PUEDEN ALCANZAR UNA LLAMA ABIERTA O CHISPA, O DONDE ESTEN PRESENTES FUENTES DE IGNICION TALES COMO CALENTADORES DE AGUA CALIENTE Y DE ESPACIO, HORNOS, SECADORAS DE ROPA, COCINAS, MOTORES ELECTRICOS, ETC.

NOTA: Una revisión anual por su Centro de Servicio Sears es una buena manera de asegurarse que su astilladora-aspiradora proveerá el máximo rendimiento para la próxima temporada.

ASTILLADORA-ASPIRADORA

- Limpie completamente la astilladora-aspiradora
- Frote la unidad con un trapo aceitado para prevenir la oxidación (use un aceite liviano o siliconas)

MOTOR

IMPORTANTE: ES IMPORTANTE EVITAR QUE SE FORMEN DEPÓSITOS DE GOMA EN PIEZAS ESENCIALES DEL SISTEMA DE COMBUSTIBLE TALES COMO EL CARBURADOR, EL FILTRO DE COMBUSTIBLE, LA MANGUERA DE COMBUSTIBLE O EL TANQUE DURANTE EL ALMACENAMIENTO. TAMBIEN LA EXPERIENCIA INDICA QUE LOS COMBUSTIBLES MEZCLADOS CON ALCOHOL (LLAMADOS GASOLIN O QUE USAN ETANOL O METANOL) PUEDEN ATRAER LA HUMEDAD, LO QUE RESULTA EN LA SEPARACION Y FORMACION DE ACIDOS DURANTE EL ALMACENAMIENTO. EL GAS ACIDICO PUEDE DAÑAR EL SISTEMA DE COMBUSTIBLE DEL MOTOR MIENTRAS ESTA EN ALMACENAMIENTO.

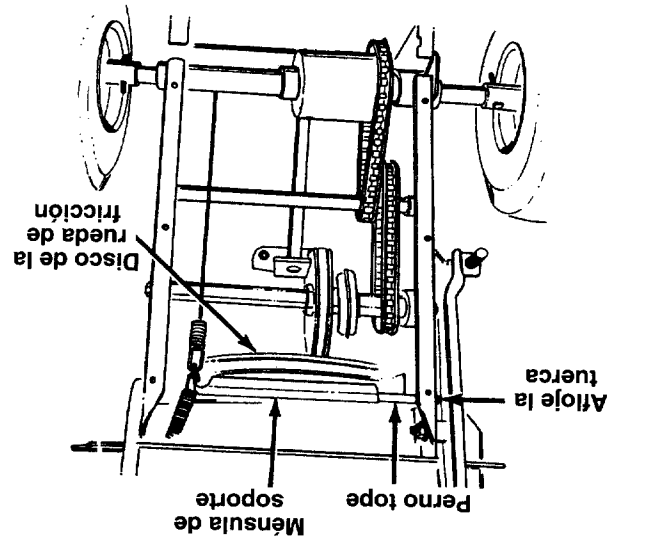


FIGURA 27.

AJUSTE DEL CABLE DEL EMBRAGUE

Retírase a la sección de "Ajuste del cable del embrague" de Instrucciones de Armado, para ajustar el cable del embrague.

AJUSTE DE LA VARILLA DE CAMBIOS

- La vara de cambios debe ajustarse, si la varilla de cambios está en la posición 1 ó R1, pero la unidad no muestra ningún movimiento de avance o retroceso según sea el caso. Vea la figura 25.
- Retire la bolsa de la unidad.
- Retire el broche de caballo y la arandela plana del extremo superior de la varilla de cambios.
- Tire del espacador fuera del orificio en la palanca de cambios. Asegúrese de no desplazar la arandela ondulada del espacador.
- Coloque la palanca de cambios en la posición 6a, que es completamente a la izquierda.

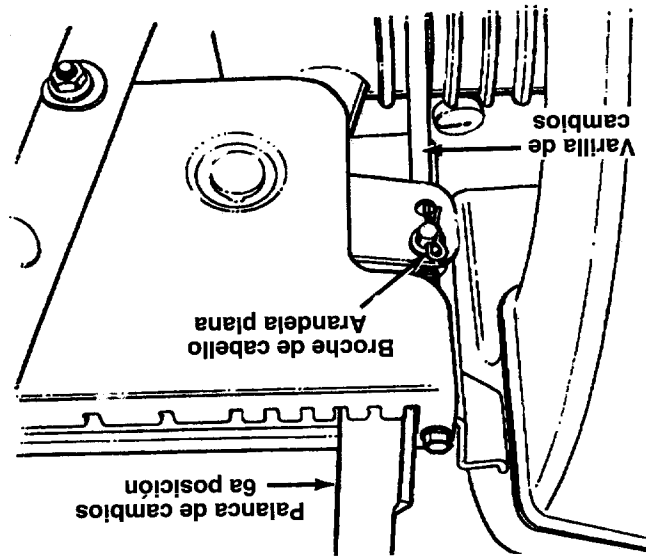


FIGURA 25.

- Presione la varilla de cambios
- Enrosque el espacador dos vueltas hacia arriba o hacia abajo de la varilla de cambios de manera que el espacador esté alineado con el orificio superior de la palanca de cambios.
- Asegure el espacador a la palanca de cambios usando la arandela plana y el broche de caballo.

17

REEMPLAZO DE LA CORREA

ADVERTENCIA: DESCONECTE EL CONDUCTOR DE LA BUJIA Y ALÉJELO DE LA BUJIA.



- Retire a cubierta plástica de la correa del frente del motor, retirando los dos tornillos autoroscantes. Vea la figura 21.
- Drene la gasolina y el aceite de la astilladora-aspiradora.
- Incline la unidad hacia atrás de manera que se apoye sobre los mangos.
- Retire la cubierta del chasis retirando ocho tornillos autoroscantes de la parte inferior de la astilladora-aspiradora.
- Retire la mensula de la polea tensora como sigue: Vea la figura 26.
- Elimine la tensión de la correa mediante una acción de pivote de la polea tensora hacia usted, y alinee los orificios en el conjunto de la mensula de la polea tensora. Inserte un clavo o un objeto similar a través de los orificios para sujetar la polea tensora en posición.
- Retire tres tornillos autoroscantes y levante el conjunto de la mensula de la polea tensora.

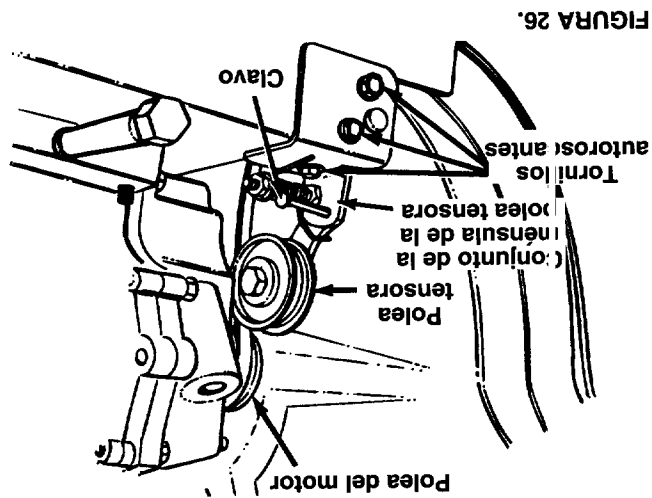


FIGURA 26.

- Retire el perno hexagonal y la arandela de seguridad de la polea del motor. Vea la figura 26. Deslice la polea del motor fuera del eje del motor, y retire la correa de la polea.
- Atiende la tuerca del perno hasta que haya una separación entre la mensula de soporte y el disco de la rueda de fricción. Vea la figura 27.
- Deslice la correa entre la rueda de fricción y el disco de la rueda de fricción. Retire y reemplace la correa. Vuelva a armar siguiendo las instrucciones en orden inverso.

NOTA: La mensula de soporte debe apoyarse sobre el perno tope después que se ha armado la nueva correa.

- Retire la cubierta del chasis retirando seis tornillos autoroscantes de la parte inferior de la astilladora-aspiradora. Vea la figura 23.
- Drene la gasolina y el aceite de la astilladora-aspiradora.
- Incline la unidad hacia atrás de manera que se apoye sobre los mangos.
- Retire la cubierta del chasis retirando seis tornillos autoroscantes de la parte inferior de la astilladora-aspiradora. Vea la figura 23.

CAMBIO DE LA GOMA DE LA RUEDA DE FRICCION

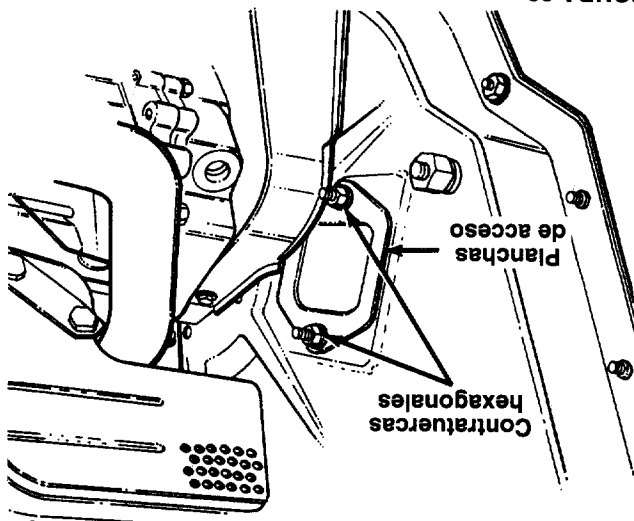
NOTA: Asegúrese que las cuchillas se vuelvan a armar con el filo orientado hacia arriba, según se ve desde la abertura de la plancha de acceso.

- Ubique una de las cuchillas de la astilladora en la abertura de la plancha de acceso girando manualmente el conjunto de la plancha usando una llave junto de la hélice. Retire la cuchilla usando una llave allen de 3/16" en la parte exterior de la cuchilla y una llave de 1/2" en el conjunto de la hélice, dentro de la armadura. Ajuste la ferreteria a un par torsor de 250-350 pulgadas libras.
- Retire la otra cuchilla de la misma manera. Reemplace o afilie las cuchillas. Si las afilia asegúrese de desgastar una cantidad igual de cada cuchilla. Rearme en orden inverso.

ADVERTENCIA: ASEGURESE DE USAR GANTES DE SERVICIO PESADO PARA ESTA TAREA. AL TENER ACCESO A LA CUCHILLA DE LA ASTILLADORA, USTED PUEDE TENER QUE LIMPIAR LA CABEZA DEL TORNILLO DEL POLVO Y LAS PARTICULAS DESMENUZADAS PARA PERMITIR QUE LA LLAVE ALLEN OPERE. MANIPULE CUIDADOSAMENTE LA LLAVE PARA NO CORTAR SU MANO EN LA CUCHILLA DE LA ASTILLADORA.

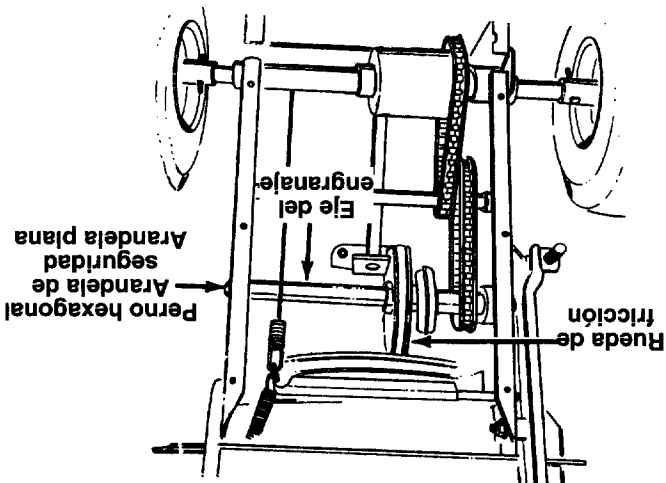


FIGURA 22.



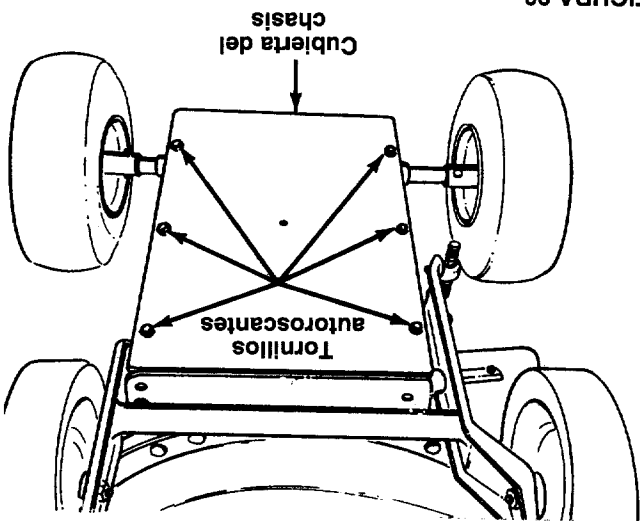
- Retire los seis tornillos del conjunto de la rueda de fricción (tres de cada lado). Retire la goma de la rueda de fricción de entre la plancha de la rueda de fricción.
- Rearme la nueva goma de la rueda de fricción al conjunto de la rueda de fricción, ajustando los seis tornillos en rotación y con igual fuerza.
- Deslice el conjunto de la rueda de fricción dentro del mecanismo de cambio, y a continuación deslice el eje del engranaje dentro de la unidad. Rearme en orden inverso.
- Reajuste el cable del embrague. Retírese a la sección de ajuste.

FIGURA 24.



- Retire el eje del engranaje de la unidad retirando los pernos hexagonales, las arandelas de seguridad y las arandelas planas de cada lado del chasis. Vea la figura 24. Sujete el conjunto de la rueda de fricción y deslice el engranaje fuera de la unidad hacia el lado derecho.

FIGURA 23.



ADVERTENCIA: ANTES DE EFECTUAR AJUSTES O MANTENIMIENTO APAQUE EL MOTOR Y DESCONECTE EL CONDUCTOR DE LA BUJÍA Y ALEJLO DE LA BUJÍA.



RETIRO DEL TAMIZ DE LA DESGRANADORA

- Si se estanca el área de descarga, retire el tamiz de la desgranadora y limpie el área como sigue.
- Apague el motor. Asegúrese que la astilladora-aspiradora se ha detenido completamente. Desconecte el conductor de la bujía antes de destancar la canaleta de descarga.
- Retire la bolsa de la aspiradora, de la unidad.
- Retire los cuatro tornillos autoroscantes del fondo de la canaleta de descarga, y la tuerca hexagonal, arandela plana y tuerca hexagonal del tope. (Tenga cuidado en no dejar caer la ferretería dentro de la canaleta). Retire el conjunto de la canaleta de descarga. Vea la figura 19.

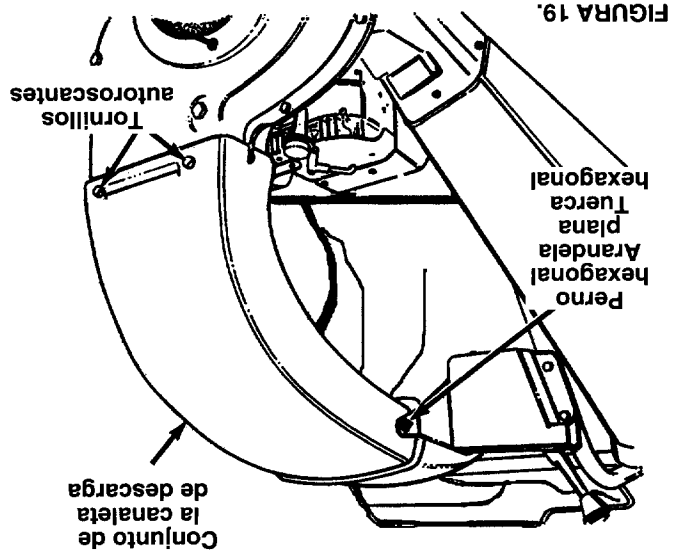


FIGURA 19.

- Retire los dos pernos hexagonales y tuercas hexagonales que se prolongan a través de la armadura. Levante el tamiz de la desgranadora desde adentro de la armadura. Vea la figura 20.

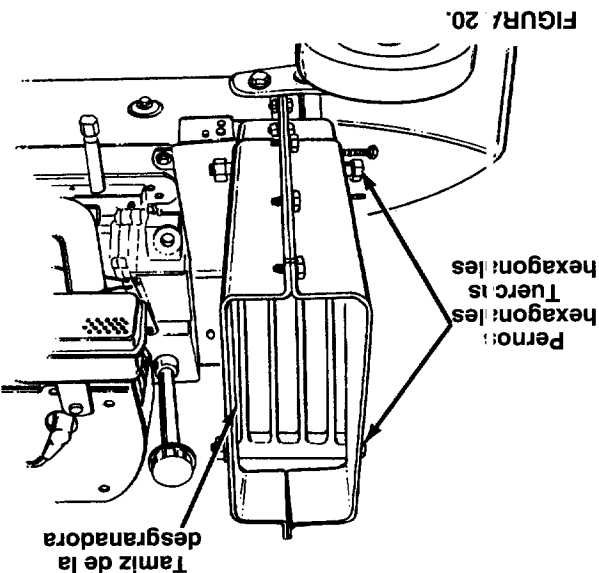


FIGURA 20.

- Limpie el tamiz raspando o lavando con agua. Reinstele el tamiz.

NOTA: asegúrese de rearmar el tamiz de la desgranadora con el tallo curvo hacia abajo según se muestra en la figura 20.

AFILADO O REEMPLAZO DE LAS CUCHILLAS ASTILLADORAS

- Descóncete el conductor de la bujía y alejelo de la bujía.
- Retire el tamiz de la desgranadora según indicado en la sección anterior.
- Retire la cubierta plástica de la correa al frente del motor retirando los dos tornillos autoroscantes. Vea la figura 21.

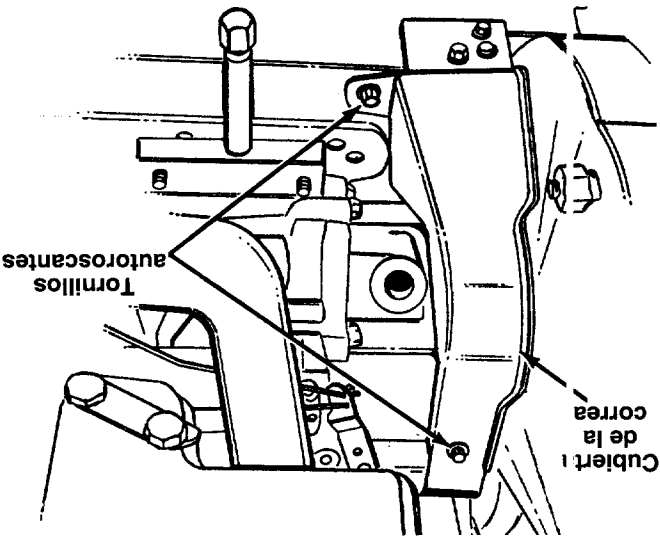


FIGURA 21.

- Retire la plancha de acceso retirando las dos contratuercas hexagonales. Vea la figura 22.

FILTRO DE AIRE

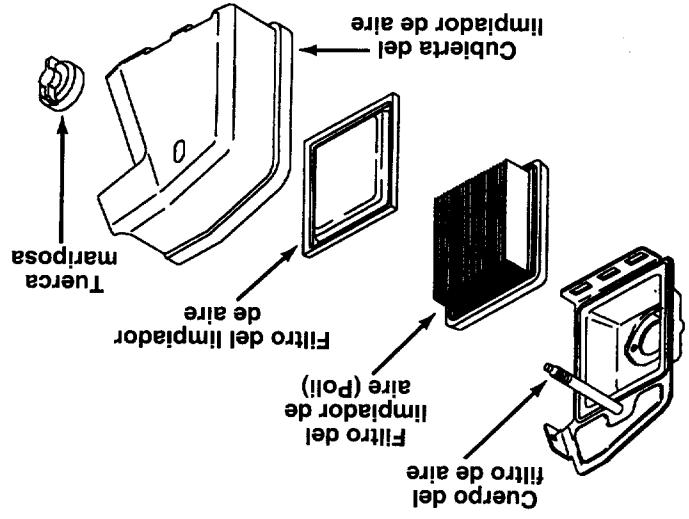
El filtro de aire impide que la suciedad, polvo, etc. dañinos, penetren al carburador y sean forzados dentro del motor y es importante para la duración del motor y el rendimiento. Nunca haga funcionar su motor sin que el filtro de aire esté completamente armado.

Para prestar servicio al filtro de aire

Preste servicio al prefiltro después de cada 25 horas de uso, o por lo menos una vez por temporada. Reemplace el filtro cada 100 horas de uso, o por lo menos una vez por temporada. Preste servicio al prefiltro y al filtro más frecuentemente bajo condiciones polvorosas.

- Retire la tuerca mariposa y la cubierta. Vea la figura 16.
- Deslice el prefiltro fuera del filtro. Limpie completamente el interior de la base y la cubierta.
- Limpie el prefiltro como sigue:
 - Lave en una solución de agua y detergente, y exprima hasta que esté completamente seco, o permita que se seque al aire.
 - Enjuague completamente en agua limpia.
 - Envuelva en un trapo limpio y exprima (no retuerza) hasta que esté completamente seco, o permita que se seque al aire.
- Si es necesario, reemplace el filtro (no trate de limpiar) sobre el filtro.
- Instale un nuevo filtro en la base. Deslice el prefiltro mente la tuerca mariposa. Ajuste segura-

FIGURA 16.



LIMPIEZA DEL MOTOR

Limpie periódicamente el motor. Elimine la suciedad y los desechos con un trapo o cepillo. No se recomienda limpiar con un rociado fuerte de agua, ya que el agua podría contaminar el sistema de combustible.

Anualmente o después de cada 25 horas de uso, lo que ocurra primero, retire el tamiz de toma de aire y la armadura del soplador, y limpie las áreas mostradas en la figura 17 para evitar la velocidad excesiva, calentamiento excesivo y daños al motor. Limpie más frecuentemente si fuera necesario.

ADVERTENCIA: PARA ELIMINAR TODA LA GRAMA, SUCIEDAD Y DESECHOS DE COMBUSTIBLE, LIMPIE PERIÓDICAMENTE EL ÁREA DEL SILENCIADOR.

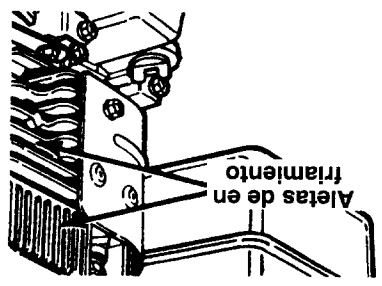


FIGURA 17.

BUJIA

La bujía debe limpiarse y la separación ajustada a .030" por lo menos una vez por temporada o después de cada 50 horas de operación. Vea la figura 18. Se recomienda el reemplazo de la bujía al comienzo de cada temporada. Refiérase a la lista de piezas del motor para el tipo correcto de bujía.

NOTA: No limpie la bujía con chorro de arena. La bujía debe limpiarse raspando o cepillando con cepillo de alambre y lavando con un solvente comercial.

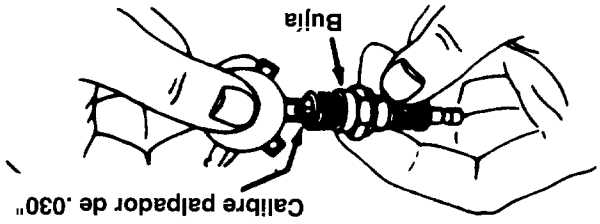


FIGURA 18.

SILENCIADOR

No opere la astilladora-aspiradora sin un silenciador o apisonador con el sistema de escape. Los silenciadores o supresores de chispas dañados pueden crear un riesgo de incendio. Inspeccione periódicamente y reemplácelo si fuera necesario. Si su motor está equipado con un conjunto de tamiz de supresor de chispas, retire después de cada 50 horas de uso para limpieza e inspección. Reemplácelo si está dañado.

RESPONSABILIDADES DEL CLIENTE

PROGRAMA DE MANTENIMIENTO		FECHAS DE SERVICIO																		
PRODUCTO	MOTOR	PROGRAMA DE MANTENIMIENTO ANOTE LAS FECHAS A MEDIDA QUE COMPLETA EL SERVICIO REGULAR																		
		ANTES DE USAR	DESPUES DE USAR	DESPUES DE LAS PRIMERAS 5 HORAS	CADA 25 HORAS	CADA 50 HORAS	ANTES DE ALMACENAR	1	2	3	4	5								
Acertar los puntos de pivote																				
Limpiar la astilladora-aspiradora																				
Inspeccionar el aceite del motor																				
Cambiar el aceite del motor																				
Limpiar el filtro de aire																				
Bujía																				
Silenciador																				
Limpiar del motor																				

RECOMENDACIONES GENERALES



ADVERTENCIA: ANTES DE EFECTUAR MANTENIMIENTO O AJUSTAR APAGUE EL MOTOR Y DESCONECTE EL CONDUCTOR DE LA BUJIA.

- Inspeccione periódicamente todos los sujetadores y asegúrese que estén firmes.
- Siga el Programa de Mantenimiento de arriba.

ASTILLADORA-ASPIRADORA

LUBRICACION

Lubrique los puntos de pivote del mecanismo de ajuste de la altura una vez por temporada, usando aceite liviano.

LIMPIEZA

- Limpie completamente la astilladora-aspiradora después de cada uso.
- Lave periódicamente la bolsa con agua. Permita que seque bien a la sombra. No use calor.

MOTOR

ACEITE DE MOTOR

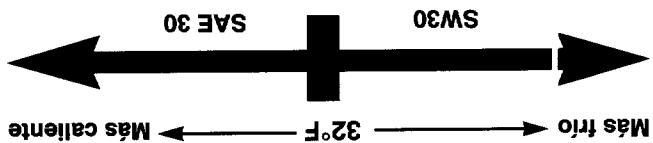
Use aceite detergente de alta calidad solamente de clasificación API de SF, SG o SH. Seleccione el grado de viscosidad del aceite de acuerdo con su temperatura esperada de operación.

Para drenar el aceite:

- Drene el aceite mientras el motor está caliente.
 - Retire la tapa de drenaje de aceite. Refiérase a la figura 12. Vierta el aceite en un recipiente apropiado.
 - Llene con aceite fresco. Refiérase a la sección de LLENADO DE GASOLINA Y ACEITE.
- Vuelva a colocar la varilla de medición.

Su motor de cuatro ciclos consumirá normalmente algo de aceite, cada cinco horas de operación aproximadamente y antes de cada uso. Apague el motor y espere varios minutos antes de inspeccionar el nivel de aceite. Con el motor nivelado el aceite debe estar en la marca FULL de la varilla de medición (refiérase a la figura 12). Cambie el aceite del motor después de las primeras cinco horas de operación, y cada veinticuatro horas después.

NOTA: A pesar que los aceites de viscosidad múltiple (5W30, 10W30, etc.) mejoran el arranque en tiempo frío, los mismos resultarán en un consumo mayor de combustible cuando se usan sobre los 32°F. Inspeccione su nivel de aceite más frecuentemente para evitar daños posibles al motor al funcionar con poco aceite.



PARA ARRANCAR EL MOTOR
IMPORTANTE: APAGUE EL MOTOR INMEDIATAMENTE SI SU UNIDAD MUESTRA ALGUNA SEÑAL DE MOVIMIENTO CON EL EMBRAGUE DESENGANCHADO. REAJUSTE SIGUIENDO LAS INSTRUCCIONES PARA EL "AJUSTE FINAL" EN LA SECCION DE ARMADO DE ESTA GUIA DEL PROPIETARIO.



ADVERTENCIA: ASEGURESE QUE NINGUNA PERSONA ADENAS DEL OPERADOR ESTE PARADA CERCA DE LA UNIDAD ASTILLADO-RA-ASPIRADORA AL ARRANCAR U OPERAR.

NO OPERE ESTA UNIDAD A MENOS QUE LA BOQUILLA, LA CANALETA DE DESCARGA Y LA BOLSA HAYAN SIDO INSTALADAS APROPIADAMENTE.

- Fije el conductor de la bujía y la bota de goma a la bujía si fuera necesario. Para la ubicación vea la figura 9.
- Coloque la palanca de control del regulador en la posición FAST (RAPIDO).
- Cuando el motor tiene un cebador en lugar de la palanca del regulador, debe cinco veces para arrancar un motor frío.
- Coloque un pie sobre la rueda posterior izquierda para evitar que la unidad resbale al arrancar.
- Sujete el mango del arrancador y tire lentamente de la soga hasta que el motor llegue al inicio del ciclo de compresión. La soga ofrecerá un poco de más resistencia en este punto. Deje que la soga se enrolle lentamente.

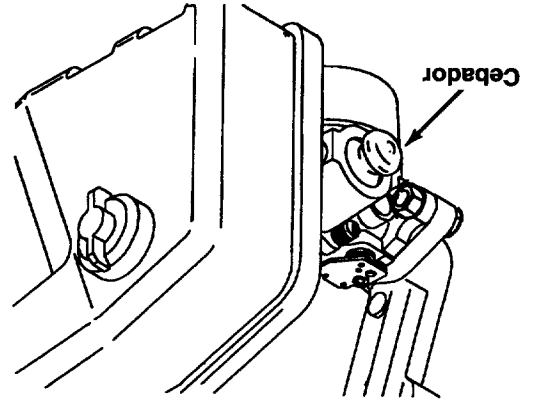


FIGURA 14.

NOTA: Mientras el motor llegue al ciclo de compresión, usted escuchará un ruido. Este ruido está causado por las desgranadoras y los dedos cayendo en su lugar y es normal. El ruido continuará hasta que la hélice alcance la velocidad plena.

- Tire de la soga con una pasada rápida, continua, usando todo el brazo.
- Empuñe firmemente el mango del arrancador. Permita que la soga se enrolle lentamente. No permita que el mango del arrancador salte contra el arrancador.
- Cede el motor si es necesario en el caso de un cebador.
- Mueva el control del regulador a la posición IDLE (VACIO) durante unos pocos minutos para calentar el motor. Al funcionar retroceda el control.

NOTA: Para pasar suavemente a vacío, un nuevo motor puede requerir de 3 a 5 minutos de funcionamiento a la velocidad lenta de vacío de arriba. La velocidad de vacío ha sido ajustada para el funcionamiento apropiado después de este período inicial.

PARA APAGAR EL MOTOR

- Mueva la palanca de control del regulador a la posición STOP.
- Desconecte el conductor de la bujía y alejese de la bujía para prevenir el arranque accidental mientras el equipo está desatendido.

PARA VACIAR LA BOLSA

Abra el cierre a cremallera de la bolsa, para vaciarla. Vea la figura 15. **Asegúrese que el cierre a cremallera esté cerrado al operar la unidad.**

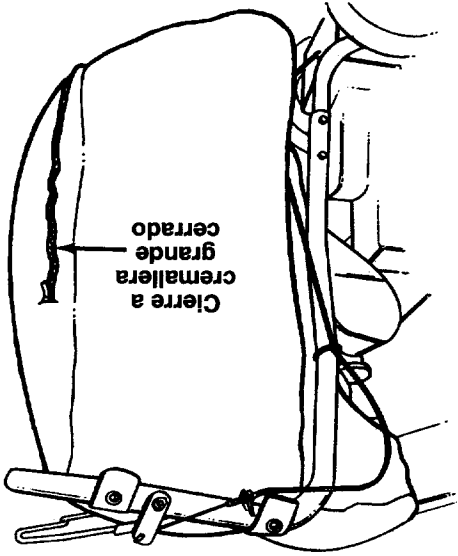


FIGURA 15.

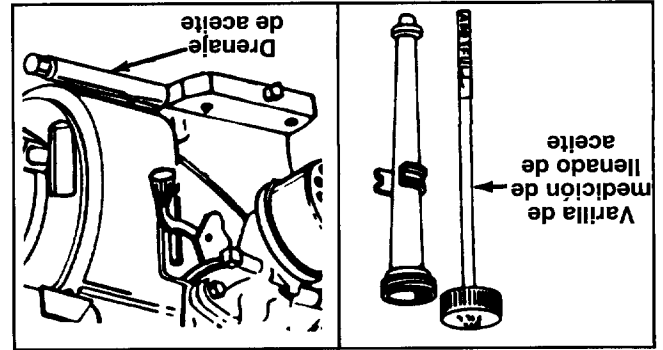


FIGURA 12.

GASOLINA

- Retire la tapa del combustible y llene el tanque con 2 quart aproximadamente de gasolina de automóviles, limpia y fresca, de grado libre de plomo. NO USE etilo ni gasolina de alto índice de octano. Asegúrese que el recipiente esté limpio y libre de óxido o partículas extrañas. Nunca use gasolina que pueda estar rancia de largos periodos de almacenamiento en el recipiente. Vuelva a colocar la tapa de combustible.

ADVERTENCIA: NO LLENE HASTA SOBREPASAR 1/2 PULGADA DEL TOPE DEL TANQUE DE NAFTA PARA PREVENIR DERRAMES Y PERMITIR LA EXPANSION DE LA GASOLINA. SI LA GASOLINA SE DERRAMA ACCIDENTALMENTE, MUEVA LA ASTILLADORA-ASPIRADORA ALEJADA DEL AREA DEL DERRAME. EVITE CREAR FUENTES DE ENCENDIDO HASTA QUE HAYAN DESAPARECIDO LOS VAPORES DE LA GASOLINA.

Para evitar la falta de gasolina mientras está operando la astilladora-aspiradora, inspeccione periódicamente el nivel de combustible. Puede ser necesario destapar la unidad antes de poderla arrancar, si se agota la gasolina mientras está astillando. Refiérase a "Retiro del tamiz de la desgranadora" en la sección de SERVICIO Y AJUSTES.

IMPORTANTE: LA EXPERIENCIA INDICA QUE LOS COMBUSTIBLES MEZCLADOS CON ALCOHOL (LLAMADOS GASOHOL O EL USO DE ETANOL O METANOL) PUEDEN ATRAER LA HUMEDAD, LO QUE CONDUCE A LA SEPARACION Y FORMACION DE ACIDO DURANTE EL ALMACENAMIENTO. EL GAS ACIDICO PUEDE DAÑAR EL SISTEMA DE COMBUSTIBLE DEL MOTOR MIENTRAS SE ENCUENTRE ALMACENADO. PARA EVITAR PROBLEMAS CON EL MOTOR, EL SISTEMA DE COMBUSTIBLE DEBE VACIARSE O TRATARSE CON ESTABILIZADOR DE COMBUSTIBLE ANTES DEL ALMACENAMIENTO. DURANTE 30 DIAS O MAS, EN LA PROXIMA TEMPORADA USE COMBUSTIBLE FRESCO. PARA INFORMACION ADICIONAL VEA LA SECCION DE "ALMACENAMIENTO".

NUNCA USE PRODUCTOS LIMPIADORES PARA EL MOTOR O EL CARBURADOR EN EL TANQUE DE COMBUSTIBLE YA QUE PUEDEN CAUSAR DAÑOS PERMANENTES.

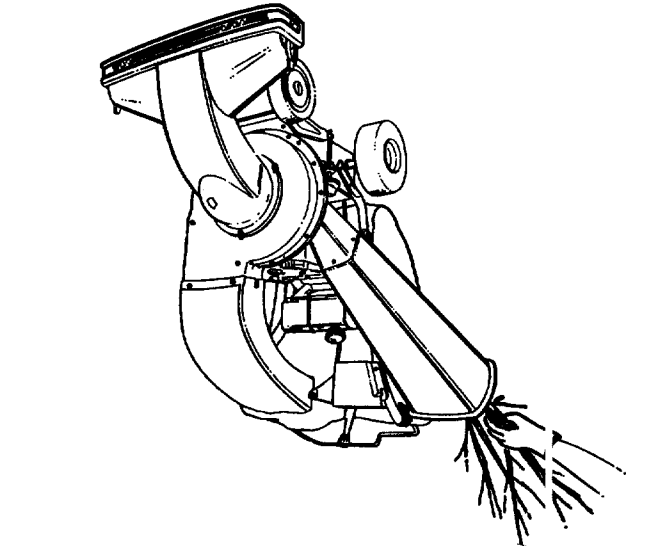


FIGURA 13.

ADVERTENCIA: NO ALIMENTE NINGUN MATERIAL DE VEGETACION MAYOR QUE 3" DE DIAMETRO EN LA CANALETA. SI USTED TRATA DE ALIMENTAR OTRO MATERIAL DIFERENTE AL ESPECIFICADO AQUI, PUEDE RESULTAR EN LESIONES PERSONALES Y/O DAÑOS A LA UNIDAD.

- Si es necesario use el tapón del apisonador para empujar al material dentro de la canalleta de la astilladora. Vea la figura 8 para la ubicación del tapón del apisonador.
- Para amortiguar el ruido, coloque el tapón del apisonador en el centro de la canalleta.

ADVERTENCIA: NUNCA COLOQUE LAS MANOS DENTRO DE LA CANALETA DE LA ASTILLADORA

- Mantenga afiladas las cuchillas de la astilladora para obtener el mejor rendimiento.
- Puede haberse desafilado las cuchillas de la astilladora, si el material de descarga comienza a convertirse en fibroso, o si la velocidad de descarga disminuye considerablemente. Refiérase a la sección de Servicio y Ajuste para reemplazar la cuchilla.

- Retire el tamiz de la desgranadora y limpie, si el mismo, ubicada o dentro de la armadura en el área de descarga, se tapona. Refiérase a la sección de Servicio y Ajuste para las instrucciones acerca de la limpieza del tamiz.

USO DE LA ASTILLADORA-ASPIRADORA

NOTA: No trate de astillar ningún material otro que ramas, hojas, rambitas, etc. parecidos a vegetación, en un patio normal. Tales materiales de hasta 3" de diámetro pueden alimentarse a la canalleta de la astilladora. Vea la figura 13.



La operación de una astilladora-aspiradora puede resultar en que objetos extraños sean despedidos contra los ojos, lo que puede lesionarlos gravemente. Antes de astillar, o mientras efectúe ajustes o reparaciones, use siempre los anteojos de seguridad provistos con esta unidad o protectores de los ojos. Recomendamos la máscara de seguridad Wide Vision sobre los anteojos o las antiparras estándar disponibles en las tiendas minoristas de Sears.

USO DE LA ASTILLADORA-ASPIRADORA

NOTA: Su astilladora-aspiradora tiene un interruptor de seguridad al frente de la armadura. La boquilla o aditamento de manguera debe estar en su lugar en la astilladora-aspiradora antes de poder arrancar el motor.

PARA AJUSTAR LA ALTURA DE LA BOQUILLA

A. La perilla de ajuste de altura está ubicada en el lado derecho de la astilladora-aspiradora. Vea la figura 10 para su ubicación real. El ajustar la altura aquí elevará o bajará también la altura de la boquilla. Vea la sección próxima, para un ajuste adicional de la altura de la boquilla para controlar el flujo.

- Gire la perilla en el sentido de las agujas del reloj para elevar las ruedas y ajustar la altura de la unidad.
- Gire la perilla en sentido contrario a las agujas del reloj para bajar la unidad.

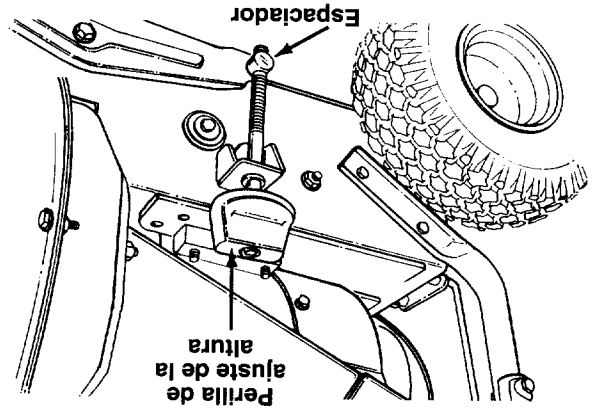


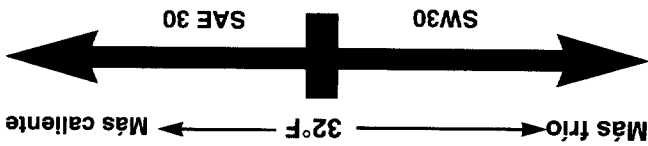
FIGURA 10.

- B. Su unidad astilladora-aspiradora tiene una palanca de ajuste de la altura de la puerta de la boquilla, con tres posiciones a cada lado de la puerta de la boquilla. Vea la figura 11 para su ubicación real. La altura de la puerta de la boquilla debe ajustarse de acuerdo con las condiciones.
- Deslice la palanca de ajuste de altura hacia la izquierda para ajustar hacia arriba la puerta de la boquilla.
 - Deslice la palanca de ajuste de altura hacia la derecha para ajustar hacia abajo la puerta de la boquilla.

LLENADO DE GASOLINA Y ACEITE

ACEITE

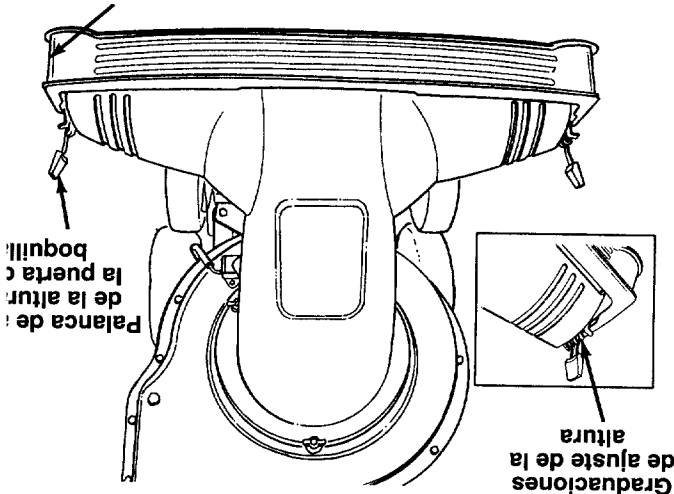
Use aceite detergente de alta calidad solamente clasificado según la clasificación API de SF, SG o SH. Seleccione el grado de viscosidad del aceite de acuerdo con su temperatura esperada de operación.



NOTA: A pesar que los aceites de viscosidad múltiple (5W30, 10W30, etc.) mejoran el arranque en tiempo frío, los mismos resultarán en un consumo mayor de combustible cuando se usan sobre los 32°F. Inspeccione su nivel de aceite más frecuentemente para evitar daños posibles al motor al funcionar con poco aceite.

- Use el aceite para motor provisto. Retire la varilla de medición de llenado de aceite. Vea la figura 12. Con la astilladora-aspiradora nivelada, use un embudo para llenar el motor con aceite a la marca FULL (LLENO) de la varilla de medición. La capacidad es de 20 onzas aproximadamente. Tenga cuidado de no llenar en exceso. La botella de aceite provista contiene 20 onzas de aceite. Inclíne la astilladora-aspiradora hacia la izquierda (desde atrás de la tolva), y a continuación nivele. Revise el nivel de aceite. Llene a la marca FULL de la varilla de medición si fuera necesario. Vuelva a colocar la varilla de medición y ajuste.

Puerta de la boquilla



OPERACION

CEBADOR—El Modelo 247.799630 no tiene una palanca del regulador. En su lugar hay un cebador que se usa también para arrancar un motor frío.

MANGO DEL ARRANCADOR—Se usa para arrancar manualmente el motor.

CONTROL DEL REGULADOR—Controla la velocidad del motor y lo apaga.

PARA AGARRAR EL MOTOR

● Mueva la palanca de control del regulador a la posición STOP. Vea la figura 9.

● Descorrote el conductor de la bujía y atéjese de la bujía para prevenir el arranque accidental mientras el equipo está de satendido.

PALANCA DE CAMBIOS—La palanca de cambios determina la velocidad terrestre de su vehículo. Puede colocarse en una de ocho posiciones. De esas ocho, seis posiciones son para avanzar y dos posiciones para retroceder.

Avance: Están disponibles seis velocidades de acuerdo a las seis posiciones de la palanca de cambios; la posición una es la más lenta, y la posición sexta es la más veloz.

Retroceso: Están disponibles dos velocidades de acuerdo a las dos posiciones de la palanca de cambios; posición R (extrema derecha) es la más veloz de ambas.

MANGO DEL EMBRAGUE DE TRACCION (ARO)—Si usted apoya el mango del embrague de tracción contra el mango superior, enganchará la tracción de la rueda. Si usted suelta el embrague de tracción, detendrá la tracción

de avance.

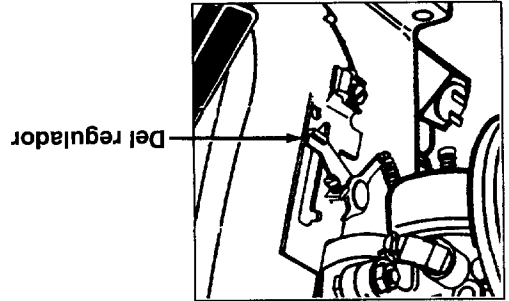
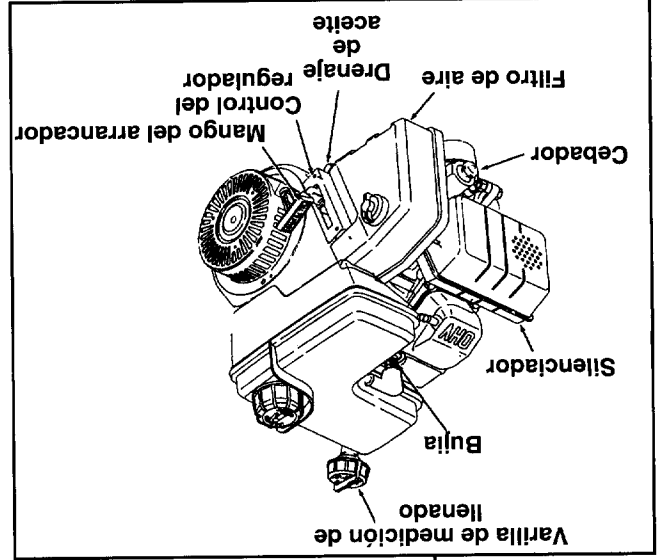
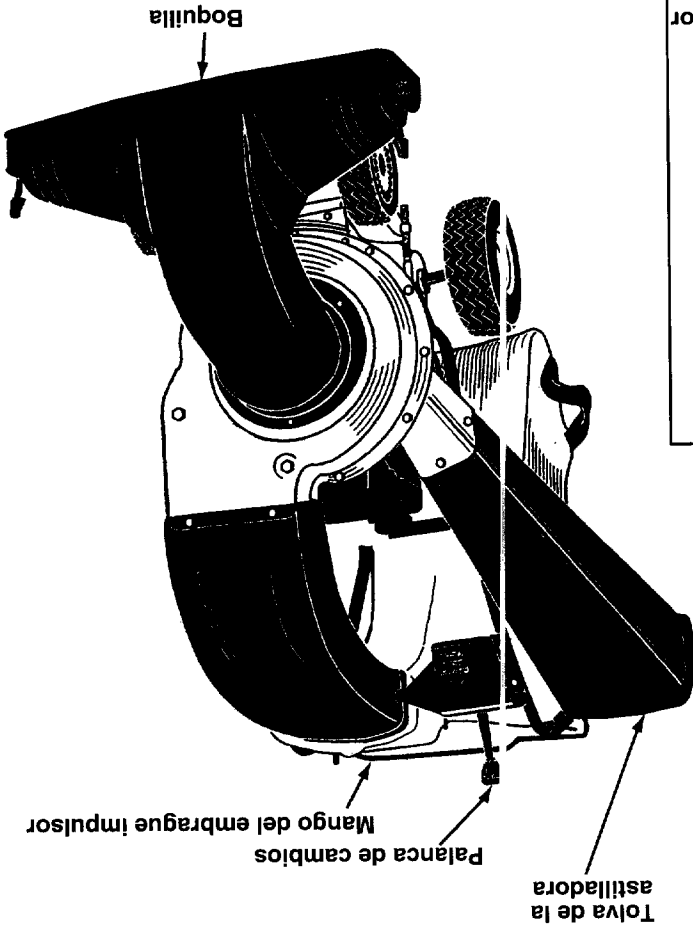


FIGURA 9.

- Coloque las cuatro correas de la parte superior de la bolsa sobre el mango superior, enganchándolas en los pernos prisioneros. Vea la figura 7. Asegúrese que la bolsa esté debajo del mango del embrague de tracción.
- Coloque la bolsa dentro del conjunto del mango. Deslice la abertura de la bolsa sobre la canaleta de descarga. Asegúrese que esté sobre la costilla de la canaleta de descarga. Vea la figura 6.
- Coloque las cuatro correas de la parte superior de la bolsa sobre el mango superior, enganchándolas en los pernos prisioneros. Vea la figura 7. Asegúrese que la bolsa esté debajo del mango del embrague de tracción.

FIJACION DE LA BOLSA

- Enrosque la perilla de cambios en el extremo de la palanca de cambios.

INSTALACION DE LA PERILLA DE CAMBIOS

- Vuelva a inspeccionar el ajuste. Ajuste ambas tuercas hexagonales una vez que haya ajustado correctamente. del reloj].
- Si las ruedas no se inmobilizan, atíjelo ambas tuercas hexagonales de la ménsula de soporte. Para ajustar el cable, gire la tuerca del fondo en el sentido de las agujas de atrás y hacia adelante. Las ruedas deben inmobilizarse.
- Sujetando el mango superior, enganche el mango del embrague de tracción y trate de empujar la unidad hacia atrás y hacia adelante. Si no, atíjelo ambas tuercas hexagonales de la ménsula de soporte. Vea la Figura 5B. Para atíjelo el cable, gire la tuerca del fondo en sentido contrario a las agujas del reloj].

- Para inspeccionar el ajuste del embrague proceda así: el cable.
- Asegúrese que el cable no esté flojo, pero que no esté demasiado tirante. Vea la figura 5B. No ajuste en exceso

AJUSTE DEL CABLE DEL EMBRAGUE

FIGURA 5.

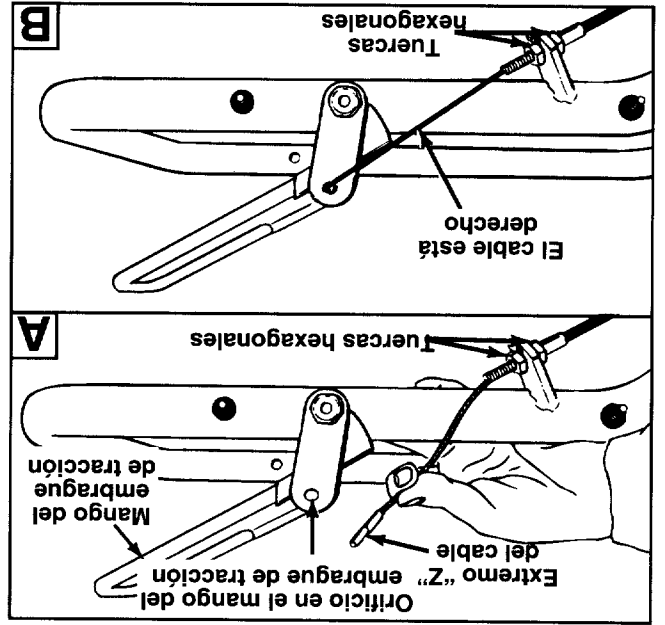
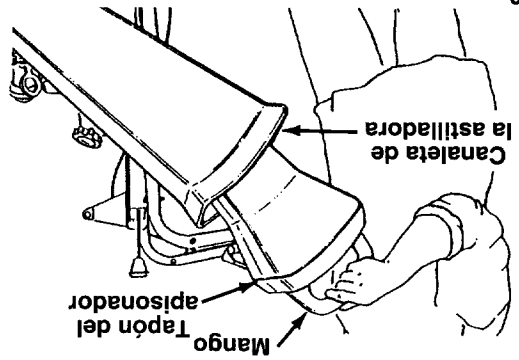


FIGURA 8.



- Haga coincidir el ángulo del tapón del apisonador con el ángulo de la canaleta de la astilladora. Vea la figura 8.
 - Inserte el tapón del apisonador dentro de la canaleta de la astilladora.
- NOTA:** El tapón del apisonador debe permanecer en la canaleta de la astilladora siempre que no se use la canaleta.

INSERCIÓN DEL TAPON DEL APISONADOR

FIGURA 7.

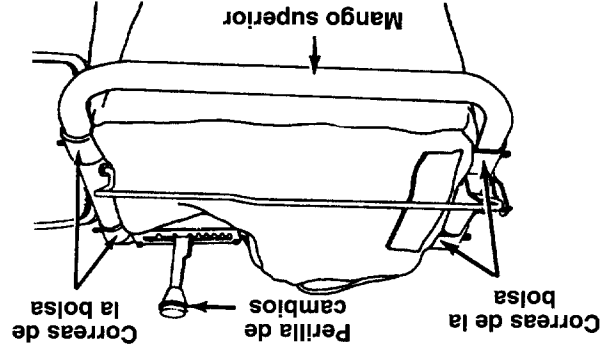
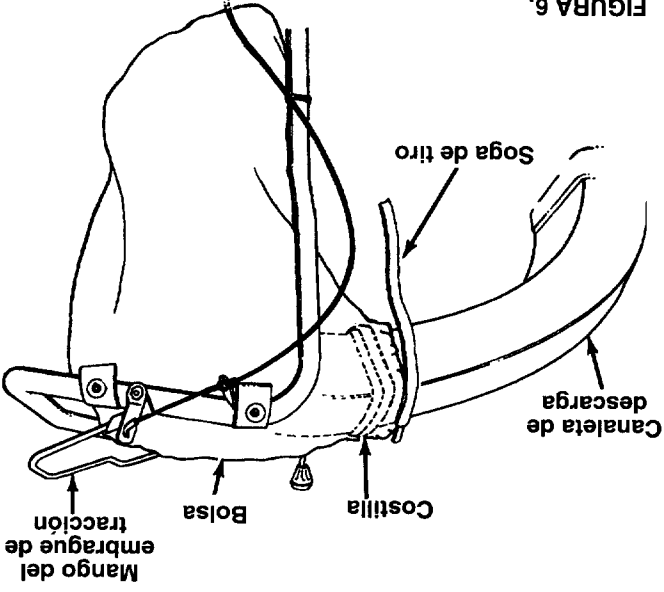


FIGURA 6.



- Accione la mordaza de la soga de tiro y tire de la soga de tiro hasta que esté ajustada. Suelte la mordaza.

NOTA: El lado acopado de la arandela va contra la canalada de la astilladora. Vea la figura 2 para localizar el lado acopado de la arandela.

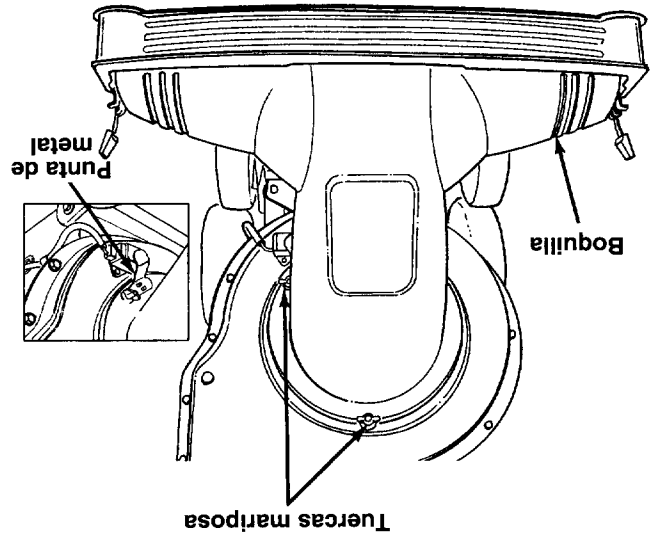
- Ajuste las tres tuercas unas pocas rosca solamente. No ajuste en exceso o puede crear problemas para el armado posterior.

- Retire las tres arandelas acopadas y tuercas hexagonales de los pernos prisioneros soldados. Encontrará esos pernos prisioneros soldados al lado de la abertura del lado derecho de la astilladora-aspiradora. Vea la figura 4.

- Retire las dos contratuercas hexagonales de los pernos hexagonales que aseguran el lado derecho del mango superior al mango inferior. Deje en su lugar los pernos y arandelas. Vea la figura 4.

FIJACION DE LA CANALETA DE LA ASTILLADORA Y LA MENSULA DE SOPORTE

FIGURA 3.



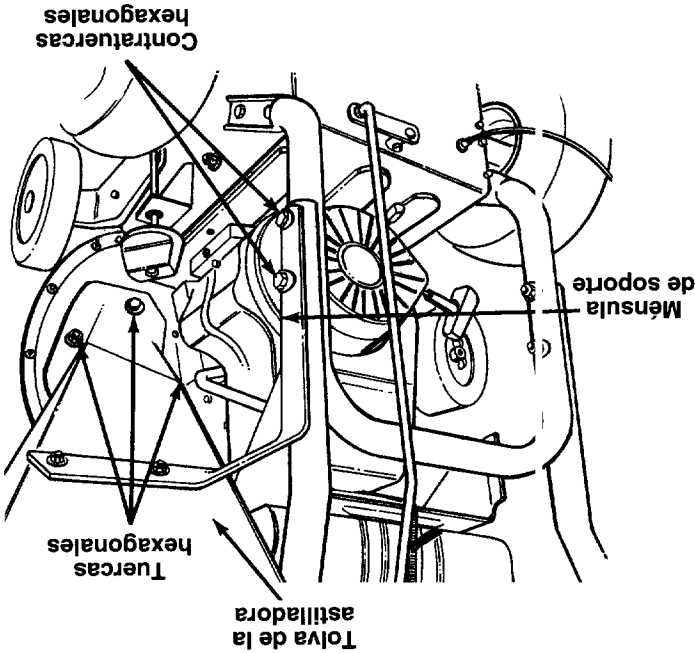
- Coloque la unidad en posición vertical.
- Retire las tres tuercas mariposa de plástico del frente de la astilladora-aspiradora. Coloque la boquilla en posición sobre los tres pernos prisioneros soldados. Asegure con las tuercas mariposa recién retiradas.

- **FIJACION DE LA BOQUILLA (Vea la figura 3)**
- Retire las tres tuercas mariposa de plástico del frente de la astilladora-aspiradora. Coloque la boquilla en posición sobre los tres pernos prisioneros soldados. Asegure con las tuercas mariposa recién retiradas.

- Presione tapacubos de la rueda. Si están bien instaladas, los bordes de los tapacubos deben estar ras con el aro de la rueda.

- Retire los dos pernos hexagonales, arandelas planas y tuercas, las que están fijadas a la mensula de soporte. Vea la figura 4.
- Use esta ferreteria para fijar flojamente la mensula de soporte al fondo de la canalada de la astilladora. Asegúrese de fijar la ferreteria de manera que las cabezas de los pernos hexagonales y de las arandelas estén en el centro de la canalada de la astilladora.
- Coloque la mensula de soporte sobre los dos pernos en el mango. Presione hacia arriba la canalada de la astilladora para alinear mejor los orificios de la mensula de soporte con los pernos en el mango.
- Ajuste bien toda la ferreteria a la canalada de la astilladora, la mensula de soporte y el mango.

FIGURA 4.—Vista desde la posición del operador



- Ajuste las tres tuercas hexagonales de la mensula del cable. Alíjelas completamente las tuercas posteriores.
- Engarche el extremo "Z" del cable al mango del embraque de tracción, de afuera hacia adentro, sujetando hacia arriba el mango del embraque de tracción. Vea la figura 5A.
- A continuación, manteniendo hacia arriba el mango del embraque, ajuste la tuerca hexagonal a mitad de recorrido aproximadamente sin que el cable esté flojo, cuando está fijado y el extremo "Z" está en su lugar.

FIJACION DEL CABLE DEL EMBRAQUE

El cable del embraque ha sido armado de fábrica. Usted debe fijar el cable del embraque.

INSTRUCCIONES DE ARMADO

PIEZAS SUELTAS EN LA CAJA (Vea la Figura 1)

- (2) Ruedas delanteras
- (1) Bolsa
- (1) Tapacubos
- (1) Perilla de cambios
- (1) Tapón del apisonador
- (1) Antojos de seguridad
- (1) Botella de aceite

- (2) Ruedas delanteras
- (1) Canaleta de la astilladora
- (1) Mensula de soporte
- + No se muestra

IMPORTANTE: Esta unidad se despacha SIN GASOLINA ni ACEITE en el motor. Vea la sección de operación de este manual para las recomendaciones sobre combustible y aceite de motor apropiados, después del armado.

NOTA: Para determinar los lados izquierdo y derecho de su astilladora-aspiradora, párese detrás y enfrente la unidad (refiérase a la Fig. 7)

Su astilladora-aspiradora ha sido completamente armada de fábrica excepto por las ruedas delanteras, tapacubos, boquilla, canaleta de la astilladora, mensula de soporte y bolsa. Se incluyen también en la caja un par de anteojos de seguridad y una botella de aceite.

EXTRACCION DE LA ASTILLADORA-ASPIRADORA DE LA CAJA

Corte la esquina de la caja. Retire todas las inserciones de empaque y las piezas sueltas. Presione el mango para elevar el frente de la astilladora-aspiradora, y ruede la astilladora-aspiradora fuera de la caja. Antes de desechar la caja, asegúrese que todas las piezas y la literatura hayan sido retiradas de la misma.

HERRAMIENTAS REQUERIDAS PARA EL ARMADO

- (1) Llave de extremo abierto de 3/4"
- (2) Llaves de 1/2" ó ajustables
- (1) Llave de 9/16"
- (1) Embudo
- (1) Llave de 7/16"

PREPARACION DE SU ASTILLADORA-ASPIRADORA

Incline la unidad hacia atrás de manera que se apoye sobre el mango (coloque un trozo de cartón debajo del mango para evitar rayaduras). Retire el material de empaque de cartón alrededor de las mensulas de las ruedas.

- Retire la contratuerca hexagonal y los pernos con reborde del frente de las mensulas de las ruedas. Vea la figura 2.
- Coloque la arandela ondulada en el perno con reborde. Inserte el perno con reborde a través de la rueda, con la cabeza del perno con reborde a través del lado plano de la rueda.
- Arme la rueda en la parte de afuera de la mensula de la rueda. Asegure con la arandela acopada (el lado acopado de la arandela va contra la mensula) y la contratuerca hexagonal. Ajuste la contratuerca.

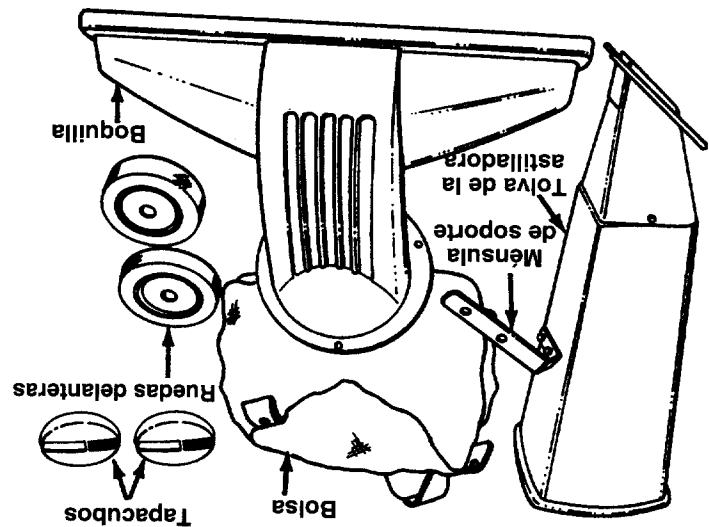


FIGURA 1.

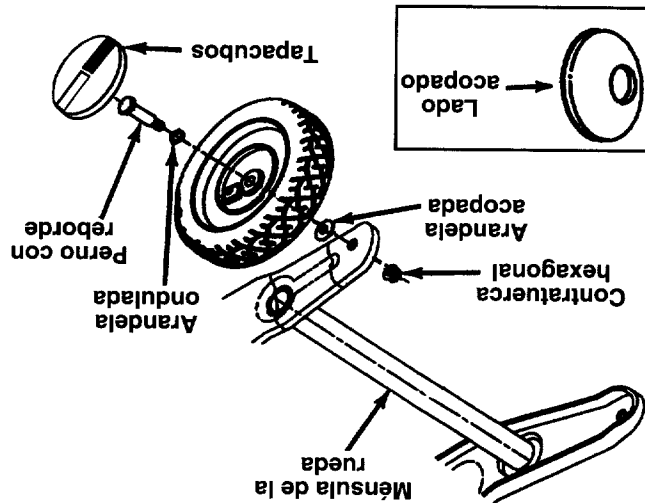


FIGURA 2.

TABLA DE MATERIAS

REGLAS DE SEGURIDAD 2, 3
 ESPECIFICACIONES DEL PRODUCTO 4
 ACUERDO DE MANTENIMIENTO 4
 RESPONSABILIDADES DEL CLIENTE 4, 12, 13
 GARANTIA 4
 INDICE 5
 ACCESORIOS 5
 ARMADO 6-8
 OPERACION 8-11

RESPONSABILIDADES DEL CLIENTE 12, 13
 ALMACENAMIENTO 14
 SERVICIO Y AJUSTES 14-17
 LOCALIZACION DE FALLAS 18
 ORDENES DE PIEZAS DE REPUESTO/ SERVICIO 18
 PIEZAS DE REPUESTO-ASTILLADORA-ASPIRADORA 19-25
 PIEZAS DE REPUESTO-MOTOR 26-29

INDICE

A	Accesorios 5	Desempacado 6
	Aftilado 15, 16	Desatancado 15
	Acite 13	
	Ajustes: 18	
	Carburador 18	
	Cable del embrague 8	
	Velocidad del motor 18	
	Varilla de cambios 17	
	Instrucciones de armado 6-8	
	Almacenamiento 18	
B	Bolsa del retén 8-12	
	Bujía 14	
C	Contenido 5	
	Consejos de operación 10	
	Combustible 11	
D	Reglas de seguridad 2, 3	
	Reparación/Piezas de repuesto 20-35	
	Responsabilidades del cliente 4, 13, 14	
E	Especificaciones 4	
G	Garantía 4	
L	Localización de fallas 19	
	Lubricación 13	
M	Mantenimiento: 4	
	Acuerdo 4	
	Programa 13	
	Motor 13, 14	
	Astilladora-Aspiradora 13, 18	
	Motor 13, 14	
	Lubricación 13	
	Mantenimiento 13, 14	
	Arranque 12	
	Apagado 9, 12	
	Almacenamiento 18	
R	Reglas de seguridad 2, 3	
	Reparación/Piezas de repuesto 20-35	
	Responsabilidades del cliente 4, 13, 14	

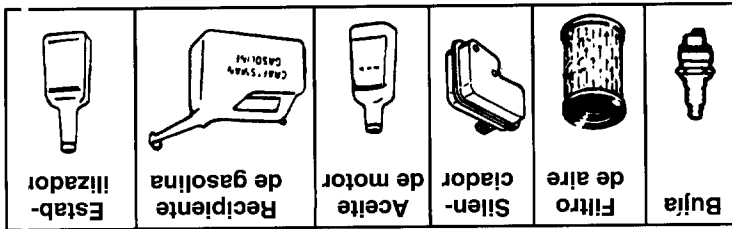
ACCESORIOS

Estos accesorios y aditamentos estaban disponibles cuando la astilladora-aspiradora se compró originalmente. La mayoría de las tiendas de Sears ordenan esos artículos para usted con el número de modelo de su astilladora-aspiradora.

ASTILLADORA-ASPIRADORA



MOTOR



SEARS, ROEBUCK AND CO. DEPT. D817WA, HOFFMAN STATES, IL 60179

GARANTIA COMPLETA DE UN AÑO PARA LA ASTILLADORA-ASPIRADORA A GASOLINA CRAFTSMAN

Por un año desde la fecha de compra cuando esta astilladora-aspiradora a gasolina Craftsman sea mantenida, lubricada y puesta a punto de acuerdo con las instrucciones de operación y mantenimiento en el manual del operario, Sears reparará libre de costo cualquier defecto de material o de mano de obra.

Esta garantía excluye las cuchillas, desgarradoras, filtros, bujías, bolsas del retén y neumáticos, las cuales son partes desechables que se desgastan durante el uso normal.

Esta garantía se aplica por 30 días solamente a partir de la fecha de compra, si la astilladora-desmenzadora se usa para fines comerciales o de alquiler.

EL SERVICIO DE GARANTIA ESTA DISPONIBLE EN EL CENTRO DE SERVICIO DE SEARS MAS CERCANO EN LOS ESTADOS UNIDOS.

Esta garantía le otorga derechos legales específicos y usted puede también tener otros derechos que varían de estado a estado.

GARANTIA

En el Estado de California lo indicado arriba es requerido por ley (Sección 4442 del Código de Recursos Públicos de California). Otros estados pueden tener leyes similares. Las leyes federales se aplican en las tierras federales. Está disponible un supresor de chispas para el silenciador en su Centro de Servicio Autorizado Sears más cercano (Vea la sección de PIEZAS DE REPUESTO de este manual).

Lea y observe las reglas de seguridad.

- Siga un programa regular en el mantenimiento;
- Siga las instrucciones de las secciones de "Responsabilidades del cliente" y "Almacenamiento" de este Manual del Operador.

Esta unidad está equipada con un motor de combustión interna y no debe usarse en o cerca de tierras no mejoradas cubiertas de bosques, matorrales, y/o hierbas, a menos que el sistema de escape esté equipado con un supresor de chispas que cumpla con las leyes del estado o federales aplicables (de existir). Si se usa un supresor de chispas debe ser mantenido en buenas condiciones de trabajo por el operador.

En el Estado de California lo indicado arriba es requerido por ley (Sección 4442 del Código de Recursos Públicos de California). Otros estados pueden tener leyes similares. Las leyes federales se aplican en las tierras federales. Está disponible un supresor de chispas para el silenciador en su Centro de Servicio Autorizado Sears más cercano (Vea la sección de PIEZAS DE REPUESTO de este manual).

RESPONSABILIDADES DEL CLIENTE

NUMERO DE MODELO: 247.799630

NUMERO DE SERIE: _____

FECHA DE COMPRA: _____

LOS NUMEROS DE MODELO Y DE SERIE SE ENCUENTRAN EN EL ROTULO PEGADO AL PRODUCTO.

USTED DEBERIA REGISTRAR EL NUMERO DE SERIE Y LA FECHA DE COMPRA Y GUARDARLOS EN UN LUGAR SEGURO PARA REFERENCIA FUTURA.

FELICITACIONES por su compra de la astilladora-aspiradora Craftsman de Sears. Ha sido diseñada, concebida y fabricada para proporcionarle la mejor confiabilidad y rendimiento posible.



Por favor consulte con su Centro/Departamento de Servicio Sears más cercano en los Estados Unidos si experimenta problemas que no puede solucionar fácilmente. Tenemos aptos para prestar servicio o reparar esta unidad.

Por favor lea y guarde este manual. Las instrucciones le permitirán armar y mantener su unidad apropiadamente. Observe siempre las "REGLAS DE SEGURIDAD".

ACUERDO DE MANTENIMIENTO

Caballos de fuerza	5.5
Capacidad de aceite de motor	SAE 30
Clasificación API: SF, SG o BH	(20 onzas)
Capacidad de combustible	2 quart aprox.
(Sin plomo)	
Bujía (Separación .030")	J-8C Champion o equivalente
Presión del neumático	24 p.s.i.

ESPECIFICACIONES DEL PRODUCTO

<p>ADVERTENCIA — SU RESPONSABILIDAD</p> <p>Restrinje el uso de esta máquina motorizada a las personas que lean, comprendan y siguen las advertencias e instrucciones en este manual y en la máquina.</p>	 <p>ROTULO DE SEGURIDAD</p>	 <p>MANUAL DEL PROPIETARIO</p>
---	--	--

- Asegúrese que la hélice y todas las piezas móviles estén detenidas; antes de limpiar, reparar o inspeccionar. Desconecte el conductor de la bujía y mantenga el conductor alejado de la bujía para prevenir el arranque accidental. No use soluciones inflamables para limpiar el filtro de aire.
- Mantenga todas las tuercas, pernos y tornillos bien ajustados para asegurarse que el equipo esté en buenas condiciones de trabajo.
- Nunca manipule los mecanismos de seguridad. Inspeccione regularmente y su operación apropiada.
- Después de golpear un objeto extraño, apague inmediatamente el motor, desconecte el conductor de la bujía, e inspeccione completamente la unidad por daños. Repare el daño antes de arrancar y operar la unidad.
- No altere ni manipule la graduación del regulador del motor. El regulador controla la velocidad operativa máxima del motor. Es peligroso hacer funcionar el motor a una velocidad excesiva y causar daños al motor y a otras piezas móviles de las máquinas.
- Inspeccione frecuentemente la bolsa de la aspiradora por desgaste. Reemplace si está gastada o dañada.
- Cuando no está en uso, mantenga la bolsa de la aspiradora libre de desechos.

- Al usar gasolina y otros combustibles use un cuidado extremo. Son extremadamente inflamables y los vapores son explosivos.
- Almacene el combustible y aceite en recipientes aprobados, alejados del calor y de las llamas abiertas, fuera del alcance de los niños.
- Inspeccione y agregue combustible antes de arrancar el motor. Nunca retire la tapa de gasolina ni vierta combustible mientras el motor está funcionando. Permita que el motor se enfríe por dos minutos por lo menos antes de cargar combustible.
- Vuelva a colocar la tapa de gasolina y limpie la gasolina derramada antes de arrancar el motor, ya que puede causar un incendio o explosión.
- Apague todos los cigarrillos, cigarreros, pipas y otras fuentes de encendido.
- Nunca cargue combustible a la unidad bajo techo ya que los vapores inflamables se acumularán en el área.
- Nunca almacene la máquina ni el recipiente de combustible bajo techo donde haya llamas abiertas o chispas, tales como calentadores de agua caliente a gas, secadora de ropas u hornos.
- Nunca haga funcionar su máquina en un área cerrada ya que el escape del motor contiene monóxido de carbono, que es un gas tóxico, insípido y envenenador mortal.
- Para reducir el riesgo, mantenga el motor y el silenciador libre de hojas, césped, y otras acumulaciones de desechos. Limpie los derrames de combustible y aceite. Permita que la unidad se enfríe por 5 minutos por lo menos antes de arrancar.

II. NIÑOS

Pueden ocurrir accidentes trágicos si el operador no está alerta a la presencia de niños pequeños. Los niños se sienten atraídos a menudo a la actividad de astillado y aspiración. Nunca suponga que los niños permanecerán donde usted los vio por última vez.

- Mantenga a los niños fuera del área de trabajo y bajo los ojos vigilantes de un adulto responsable que no sea el operador.
- Este alerta y apague la unidad si un niño entra al área.
- Nunca permita que niños menores de 16 años de edad operen la astilladora-aspiradora.

- Nunca opere la unidad sin que la bolsa de la aspiradora y la canaleta de descarga estén bien fijadas a la unidad. Para evitar que los objetos grandes sean impulsados, el extremo grande de cierre a cremallera de la bolsa debe estar cerrado.
- Nunca opere la unidad sin que la boquilla de entrada o el adaptamento opcional de la manguera estén apropiadamente fijados a la unidad. Esos mecanismos protegen al operador contra el contacto accidental con la hélice giratoria. Nunca trate de convertir la unidad del modo de boquilla al de manguera o viceversa con el motor funcionando.
- Nunca trate de retirar ni vaciar la bolsa de la aspiradora cuando el motor está funcionando.
- Nunca trate de retirar la bolsa de la aspiradora cuando el motor está funcionando. Apague el motor y espere hasta que la hélice se detenga completamente antes de retirar la bolsa. La hélice continúa girando durante unos segundos después de apagar el motor. Nunca coloque ninguna parte del cuerpo en el área de la hélice hasta que este seguro que la hélice ha detenido su giro.
- Mantenga todas las guardas y mecanismos de seguridad en su lugar y operando apropiadamente.
- No permita una acumulación de material procesado en el área de descarga ya que esto impedirá la descarga apropiada y puede resultar en contragolpe de la canaleta de la astilladora.
- Mantenga su rostro y cuerpo detrás de la canaleta de la astilladora para evitar un rebote accidental del material.
- Si el mecanismo de corte golpea un objeto extraño o si su máquina comienza a emitir un ruido o vibración no común, apague inmediatamente el motor, desconecte el conductor de la bujía y mueva el conductor alejado de la bujía. Permita que la máquina se detenga y tome los pasos siguientes.
- Inspeccione por daños.
- Repare o reemplace las piezas dañadas.
- Inspeccione por piezas flojas y ajuste para asegurar una operación segura continuada.
- El silenciador y el motor se calientan y pueden causar quemaduras. No los toque.
- No permita que hojas u otros desechos se acumulen sobre el silenciador del motor. Los desechos podrían encenderse y causar un incendio.
- No opere el motor si se retira el filtro de aire o la cubierta sobre la toma del carburador, excepto para ajustar. El retiro de tales piezas podría crear un riesgo de incendio.

- Lea cuidadosamente esta guía del propietario en su totalidad antes de intentar armar esta máquina. Lea, comprenda y observe todas las instrucciones en la máquina y en el manual(es) antes de la operación. Guarde este manual en un lugar seguro para referencia futura y regular y para ordenar piezas de repuesto.
- Su astilladora-aspiradora es una herramienta poderosa y no un juguete. Por consiguiente ejerza una precaución extrema en todo momento. Su unidad ha sido diseñada para desempeñar dos tareas; astillar y aspirar vegetación hallada en un patio normal. No la use para ningún otro fin.
- Nunca permita que niños menores de 16 años operen la unidad. Los niños de 16 años de edad y mayores deben operar solamente bajo una supervisión paterna estricta. Debe permitirse operar la unidad a individuos responsables que estén familiarizados con estas reglas de operación segura solamente.
- Mantenga el área de operación despejada de todas las personas, particularmente niños pequeños y animales domésticos. Apague el motor cuando están cerca de la unidad.
- Al alimentar material al equipo, sea extremadamente cuidadoso que no se incluyan piezas de metal, rocas, botellas, latas u otros objetos extraños. Podrían resultar lesiones personales o daños a la máquina.
- Use siempre lentes de seguridad o anteojos de seguridad durante la operación y al efectuar ajustes o reparaciones, para proteger los ojos contra objetos extraños que pueden ser despedido por la máquina.
- Use zapatos de trabajo resistentes, de suela áspera y pantalones y camisas ajustadas. Se recomiendan camisas y pantalones que cubran los brazos y las piernas y zapatos de punta de acero. No use ropas holgadas ni joyas y sujete el cabello para que esté por encima de los hombros. Pueden quedar atrapadas en las piezas móviles. Nunca opere una unidad con los pies descalzos, sandalias o zapatillas. Al alimentar material en la canaleta de la astilladora, use guantes.
- No opere la unidad mientras está bajo los efectos del alcohol o las drogas.
- No se incline demasiado. Manténgase firmemente parado y en equilibrio en todo momento.
- Nunca coloque sus manos o ninguna parte de su cuerpo o ropas cerca de o debajo de piezas giratorias. Manténgase alejado en todo momento de la abertura de descarga. Nunca inserte sus manos ni ninguna parte de su cuerpo ni ropa dentro de la boquilla, canaleta de la astilladora o la abertura de descarga ya que la hélice giratoria puede causar lesiones graves.
- Si por alguna razón es necesario destapar la toma de alimentación o de la abertura de descarga o inspeccionar o reparar cualquier parte de la máquina donde una pieza móvil puede entrar en contacto con su cuerpo o ropa, apague la máquina, permita que se enfríe, desconecte el conductor de la bujía de la bujía y aleje la de la bujía antes de intentar destapar, inspeccionar o reparar.

PELIGRO

Su astilladora-aspiradora fue fabricada para operarse de acuerdo con las reglas para una operación segura en este manual. Al igual que con cualquier tipo de equipo motorizado, la falta de cuidado o error de parte del operador puede resultar en lesiones graves. No observe las instrucciones siguientes de seguridad podría resultar en lesiones graves o en la muerte.

PELIGRO LA SEGURIDAD PERSONAL Y/O LA PROPIEDAD SUYA Y DE OTRAS PERSONAS. LEA Y OBSERVE TODAS LAS INSTRUCCIONES DE ESTE MANUAL ANTES DE INTENTAR OPERAR SU ASTILLADORA-ASPIRADORA MOTORIZADA. NO CUMPLIR CON ESTAS INSTRUCCIONES PUEDE RESULTAR EN LESIONES PERSONALES. CUANDO VEA ESTE SIMBOLO OBEDEZCA SU ADVERTENCIA.

IMPORTANTE

PRACTICAS SEGURAS DE OPERACION

SEARS, ROEBUCK AND CO., Hoffman Estates, IL 60179 U.S.A.

Antes de operar
este equipo
lea y observe
todas las reglas
e instrucciones
de seguridad

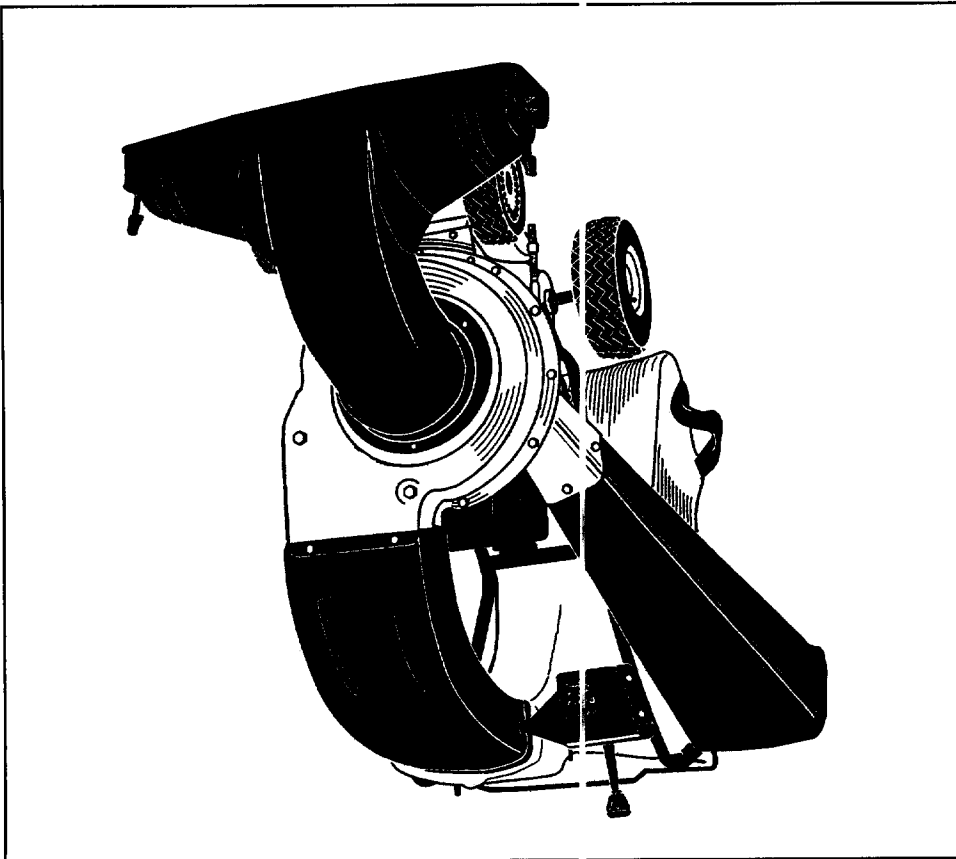
Precaución:

SEARS
MANUAL DEL
PROPIETARIO
MODELOS NO.
247.799630

Armado
Operación
Responsabilidades del cliente
Servicios y ajustes
Piezas de repuesto

ASTILLADORA-DESMENZADORA
ASPIRADORA
AUTOPROPULSADA
5.5 HP

CRAFTSMAN®



Free Manuals Download Website

<http://myh66.com>

<http://usermanuals.us>

<http://www.somanuals.com>

<http://www.4manuals.cc>

<http://www.manual-lib.com>

<http://www.404manual.com>

<http://www.luxmanual.com>

<http://aubethermostatmanual.com>

Golf course search by state

<http://golfingnear.com>

Email search by domain

<http://emailbydomain.com>

Auto manuals search

<http://auto.somanuals.com>

TV manuals search

<http://tv.somanuals.com>