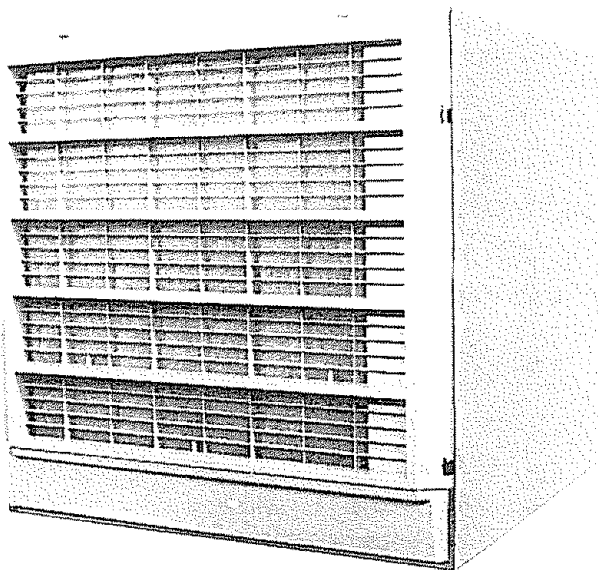


SEARS

owners
manual

MODEL NO
661.623920
661.624420
661.624530
661.624630
661.624670

**READ
AND
SAVE
THIS
INSTRUCTION
MANUAL**



Kenmore CONVERTIBLE DOWN/FRONT OUTLET EVAPORATIVE AIR COOLER

- Installation
- Operation
- Repair Parts

SEARS, ROEBUCK AND CO., Chicago, IL 60684 U.S.A.

CONTENTS

INSTALLATION

| | |
|-------------------------------|---|
| Tools and Supplies You Need | 3 |
| Safety Rules | 3 |
| Data | 3 |
| Locating Your Cooler | 4 |
| Converting to Side Outlet | 5 |
| Mounting Cooler | 6 |
| Electrical Connections | 7 |
| Final Assembly and Adjustment | 8 |
| Startup Check List | 9 |

COOLER USE

| | |
|----------------------------------|----|
| Cooling Your Home | 10 |
| Cooler Care | |
| Spring, Summer and Fall Care | 11 |
| Taking Off and Putting On Grills | 11 |
| Taking Off Pad | 12 |
| Cleaning | 12 |
| Putting on Pad | 13 |
| Oiling | 13 |
| Blower Belt Adjustment | 13 |
| REPAIR PARTS | 14 |

NEED ADVICE? MISSING PARTS? - CALL MANUFACTURER FIRST:

Just dial this toll free number **1-800-643-2742** to get facts fast:

Call Monday through Friday 8:00 A.M. to 5:00 P.M. - Central Time

Our experienced Hotline Service Representative can:

- Answer installation questions.
- Provide prompt shipment of missing parts.

YOUR SATISFACTION IS OUR NUMBER ONE PRIORITY

Reminder: The person you will be talking to is **Not** a **SEARS** store employee and cannot handle exchanges, arrange service calls etc. This must be handled through your Sears Store or Catalog Order Department. This toll-free number is for **technical assistance only.**

FULL ONE YEAR WARRANTY ON SEARS EVAPORATIVE COOLER

One year from the date of purchase when this Kenmore Roto-Belt evaporative air cooler is installed and maintained according to our instructions, Sears will repair defects in material or workmanship free of charge

FIVE YEAR LIMITED WARRANTY

All Sears Kenmore Roto-Belt cooler cabinets and blower housings are warranted against rusting out and becoming inoperative after one year and through five (5) years from the date of purchase. Sears Roto-Belt cooler water reservoirs and louvers are warranted also against leaking and deterioration due to water corrosion for the same period of time. You pay for labor.

WARRANTY SERVICE IS AVAILABLE BY SIMPLY CONTACTING THE NEAREST SEARS SERVICE CENTER THROUGHOUT THE UNITED STATES

This warranty gives you specific legal rights, and you may also have other rights which vary from state to state.

SEARS, ROEBUCK AND CO., DEPT. 698/731A, SEARS TOWER, CHICAGO, IL. 60684

Note: Replacement of filter pads is normal maintenance and is not covered in the warranty

SEARS INSTALLATION POLICY

All installation labor arranged by Sears shall be performed in a neat workmanship manner in accordance with generally accepted trade practices. Further, all installations shall comply with all local laws, codes, regulations and ordinances. The customer shall also be protected, during installation, by insurance relating to property damage, Workmen's Compensation and Public Liability.

SEARS INSTALLATION WARRANTY

In addition to any warranty extended to you on the Sears merchandise involved, which warranty becomes effective the date the merchandise is installed, should the workmanship of any Sears arranged installation prove faulty within one year, Sears will, upon notice from you, cause such faults to be corrected at no additional cost to you.

INSTALLATION

TOOLS AND SUPPLIES YOU WILL NEED

- Pliers
- Screwdrivers
- Adjustable Wrenches
- Tubing Cutter
- 5/32 Hex Key Wrench
- Electric Drill
- Drill Bits
- Hammer
- Duct Caulking
- 10 Sheet Metal Screws
- Wiring Supplies, as Required by Local Electrical Code
- Level
- Duct, As Required (a local sheetmetal shop can supply ducting)
- Equipment Suitable for Installing Duct Through House Wall or Roof
- Water Connection. Use Kit # 62527, #62528 or #62522 Saddle Valve. See page 8 (Connect Water line) for further information explaining the different water hook ups.
- Roof Stand Kit (if cooler is roof mounted)
Cooler 661.623920 use 32-6256 kit
Cooler 661.624420 use 32-6256 kit
Cooler 661.624530 use 32-6257 kit
- Cooler 661.624630 use 32-6258 kit
- Cooler 661.624670 use 32-6258 kit
- 32-6251 (5 position) Wall Switch for Either New or Existing Pump Type Cooler Wiring.

RULES FOR YOUR SAFETY

1.

WARNING

TO AVOID FIRE, SHOCK, AND SERIOUS PERSONAL INJURY FOLLOW THESE INSTRUCTIONS
2. The installation must conform to local codes and utility standards. Use the National Electric Code if a local code does not exist.
3. Disconnect the electric power EVERY TIME you work on your cooler. When your hands are inside the cooler you risk injury if the cooler is accidentally turned on from inside the home.
4. If you mount the cooler on your home roof remember these safety tips:
 5. Never install or service a cooler during a storm or high wind conditions. You could be injured or lose or damage parts.
 6. Never wear shoes with slick soles when you work on a roof. You may slip when you least expect it.
 7. Never drain water onto a roof. Water residue may cause you to slip or may stain your roof. Use a drain hose to run the drain water to a rain gutter or to a drain.
 8. To avoid injury never use the cooler without connecting it to a house duct system or without a sturdy mesh guard over the outlet.

DATA

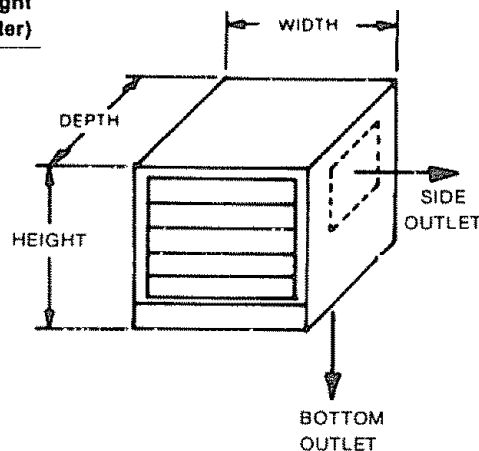
| Model No. | Cabinet Dimensions (inches) | | | Air Output Opening (inches) | | Operating Lbs. Weight (with water) |
|------------|-----------------------------|------------------|--------------------|-----------------------------|------------------|------------------------------------|
| | Height | Width | Depth | Height | Width | |
| 661 623920 | 29 $\frac{3}{4}$ | 29 $\frac{3}{4}$ | 35 $\frac{3}{4}$ | 17 $\frac{3}{4}$ | 17 $\frac{3}{4}$ | 195 |
| 661 624420 | 29 $\frac{3}{4}$ | 29 $\frac{3}{4}$ | 35 $\frac{3}{4}$ | 17 $\frac{3}{4}$ | 17 $\frac{3}{4}$ | 190 |
| 661 624530 | 33 $\frac{3}{4}$ | 33 $\frac{3}{4}$ | 37 $\frac{1}{2}$ | 19 $\frac{3}{4}$ | 19 $\frac{3}{4}$ | 235 |
| 661 624630 | 36 $\frac{3}{4}$ | 36 $\frac{3}{4}$ | 42 $\frac{13}{16}$ | 19 $\frac{3}{4}$ | 19 $\frac{3}{4}$ | 285 |
| 661 624670 | 36 $\frac{3}{4}$ | 36 $\frac{3}{4}$ | 42 $\frac{13}{16}$ | 19 $\frac{3}{4}$ | 19 $\frac{3}{4}$ | 289 |

OUTPUT RATINGS (Cubic Feet Per minute)

| Model No. | Industry Rating |
|------------|-----------------|
| 661 623920 | 4500cfm |
| 661 624420 | 4000cfm |
| 661 624530 | 5200cfm |
| 661 624630 | 6600cfm |
| 661 624670 | 7200cfm |

SEARS EVAPORATIVE PAD USAGE

| Model No. | Sears Pad Number |
|------------|------------------|
| 661 623920 | 32-6293 |
| 661 624420 | 32-6293 |
| 661 624520 | 32-6294 |
| 661 624620 | 32-6295 |
| 661 624670 | 32-6295 |



INSTALLATION

LOCATING YOUR COOLER

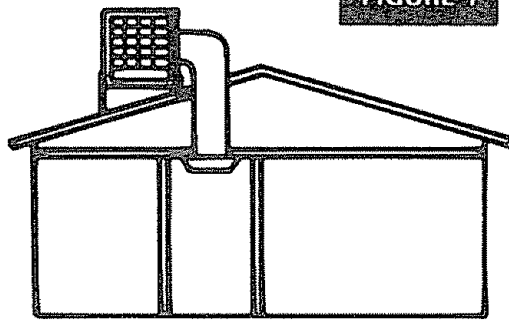
Your cooler has been shipped ready for installation in a down discharge position. It can easily be changed to side discharge. The cooler must be securely fastened to a frame or pad mount. A roof kit is available from Sears.

A duct must be attached to the cooler outlet. The duct must be the same size as the cooler outlet. Sudden duct size changes will decrease the output of your cooler.

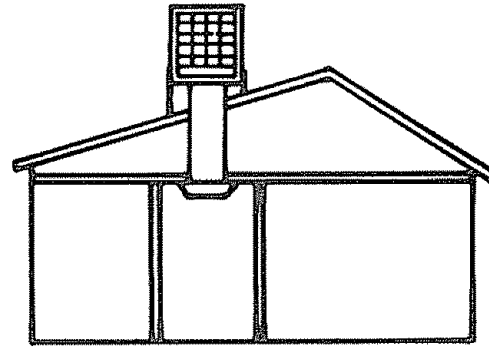
The cooler installation must comply with local codes. If you are not fully qualified to install a cooler, get professional help.

Figure 1 shows locations for your cooler. Be sure the intake louvers are clear of obstructions and are accessible for removal. Do not locate the cooler near vent pipes, chimneys, or exhaust where odors or fumes may be drawn into the house. The two drain holes on the cooler bottom must be clear to allow overflow or drain access.

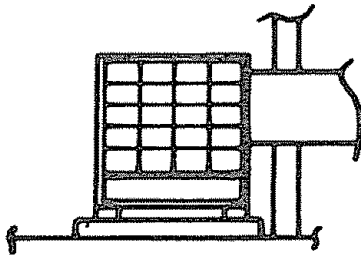
FIGURE 1



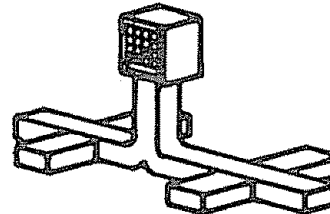
ROOF KIT MOUNT
SIDE DISCHARGE INTO HALL



ROOF KIT MOUNT
DOWN DISCHARGE INTO HALL



SIDE DISCHARGE
CONNECT TO HOUSE DUCTING



DOWN DISCHARGE
CONNECT TO HOUSE DUCTING

WIRING BOX (FIGURE 2)

The wiring box is inside the cooler cabinet. The electrical supply must be connected to the cooler power leads inside the box after the cooler is installed. The wiring box is factory installed for coolers used in the down air outlet position.

IF YOU INSTALL THE COOLER IN THE SIDE AIR DISCHARGE POSITION THE WIRING BOX MUST BE MOVED. SEE PAGE 5.

SHUT OFF POWER AT THE ELECTRICAL SERVICE BOX BEFORE STARTING WIRING.

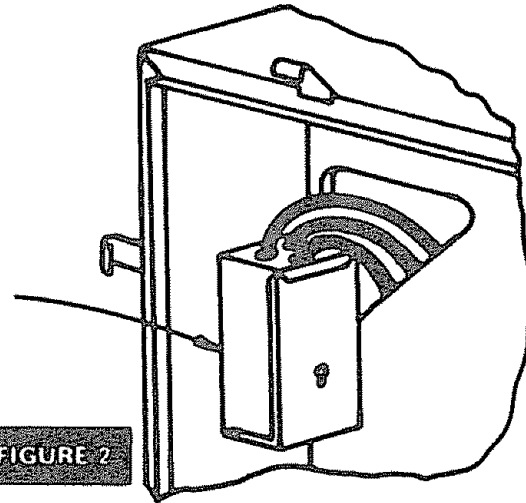
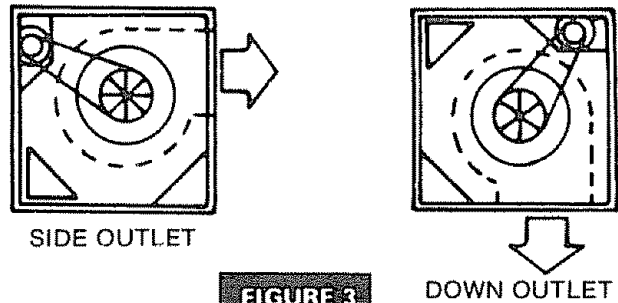


FIGURE 2

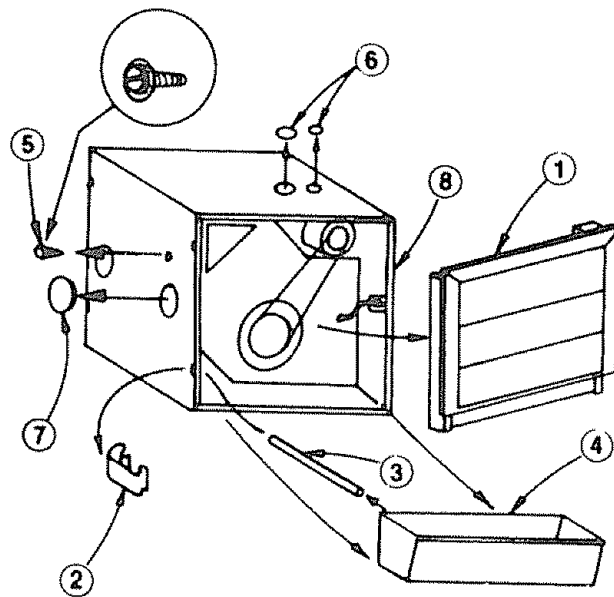
INSTALLATION

YOU MAY WANT TO CONVERT YOUR COOLER TO SIDE DISCHARGE (Figure 3)



CONVERTING COOLER TO SIDE AIR DISCHARGE (FIG.4)

- 1 Remove both louvers and set them where they will not fall. See pg. 11, "Taking Off Louver"
- 2 Remove four grille clips on side opposite motor.
- 3 Remove a reservoir by pushing the water crossover tube from the grommet and lifting out the reservoir.
- 4 Remove the second reservoir as above.
- 5 Remove the screw that holds the wiring box.
- 6 Remove 1/8 inch diameter and 3/8 inch diameter knockouts.
- 7 Remove two plastic plugs.
- 8 Loosen screw holding pad motor receptacle bracket, slide bracket up and detach from cabinet flange. Repeat on other side.
- 9 Turn cooler to side outlet position. (Figure 5)



REASSEMBLY AS SIDE OUTLET COOLER (Fig 5)

- 1 Move wiring box to new location.
- 2 Secure wiring box with screw removed at disassembly.
- 3 Install four louver clips removed at disassembly.
- 4 Install two receptacle brackets removed at disassembly.
- 5 Install two plastic plugs removed at disassembly.
6. Assembly reservoirs, crossover tube and louvers **after** the cooler is installed in location. Use soap or detergent to lubricate crossover tube before inserting into grommet. **DO NOT USE OIL.**

ROUTE WIRES INSIDE OF PANEL

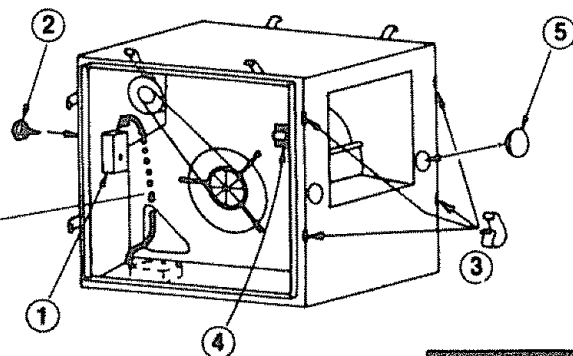


FIGURE 5

INSTALLATION

LIFTING COOLER

CAUTION: DO NOT LIFT ON THE LOUVERS. REMOVE THE LOUVERS BEFORE LIFTING. DO NOT LIFT ON THE CENTER OF THE CABINET FLANGES.

Lift at cabinet corners

The cooler may be lifted by putting a bar or strap through the panel hole and lifting by means of the bar or strap (Fig. 6)

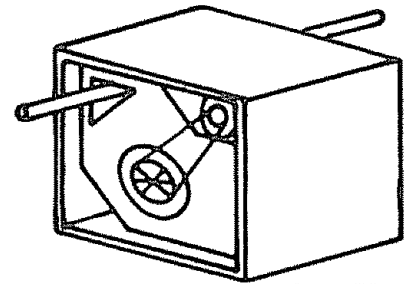


FIGURE 6

MOUNTING COOLER (Fig. 7)

1. Prepare duct to fit model used. See outlet size specifications on page 3.
2. Cut opening in roof or wall to fit duct opening on cooler and box in opening.
3. Install duct and secure to boxed-in opening frame. Allow the two inches to fit into cooler outlet. Allow duct length for cooler bottom to be 4 inches above roof at closet point.
4. Install flashing on roof or wall to prevent water entry.
5. Measure cooler and lay out mount location.

NOTE: THE BOTTOM EDGE NEAREST THE AIR OUTLET MUST FACE UP THE ROOF.

6. Mount cooler on stand or pad. Cooler must be level front to back and left to right. Sears roof stand kits are available.
7. Be sure to securely fasten four corners of cooler to stand or pad.
8. Caulk duct to the cooler. Caulk the flashing.

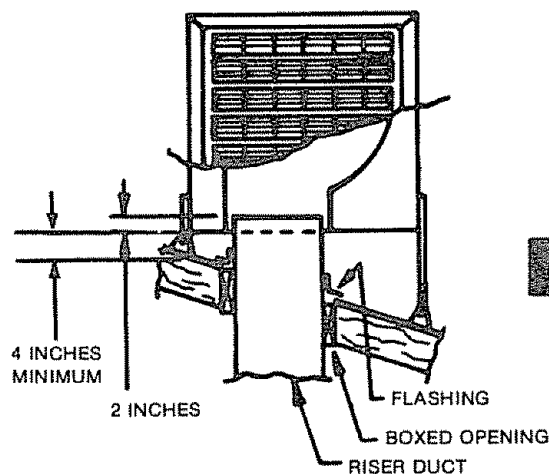
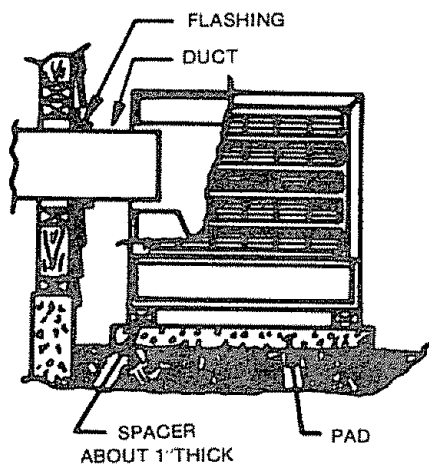
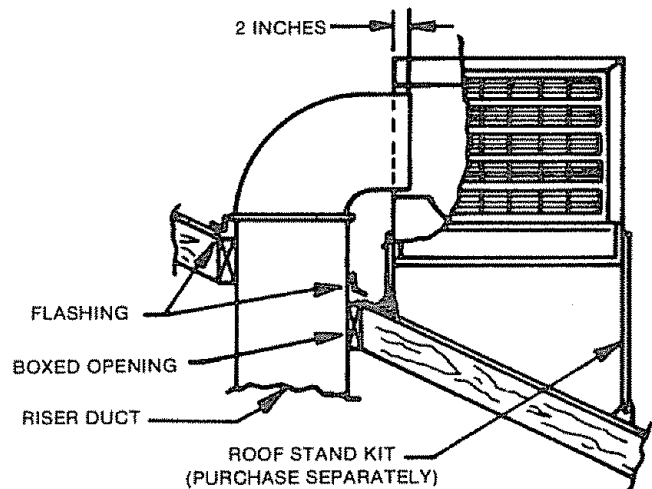
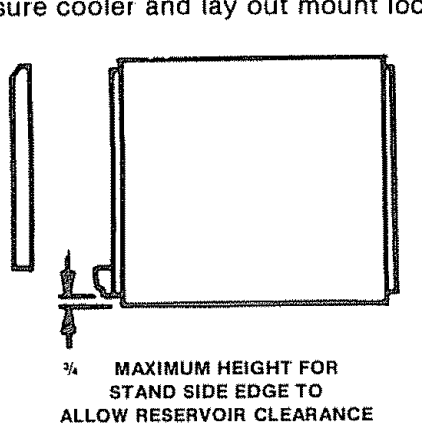


FIGURE 7

INSTALLATION

ELECTRICAL CONNECTIONS

The wiring must comply with local codes. If you are not familiar with the codes or wiring practices, get professional help.

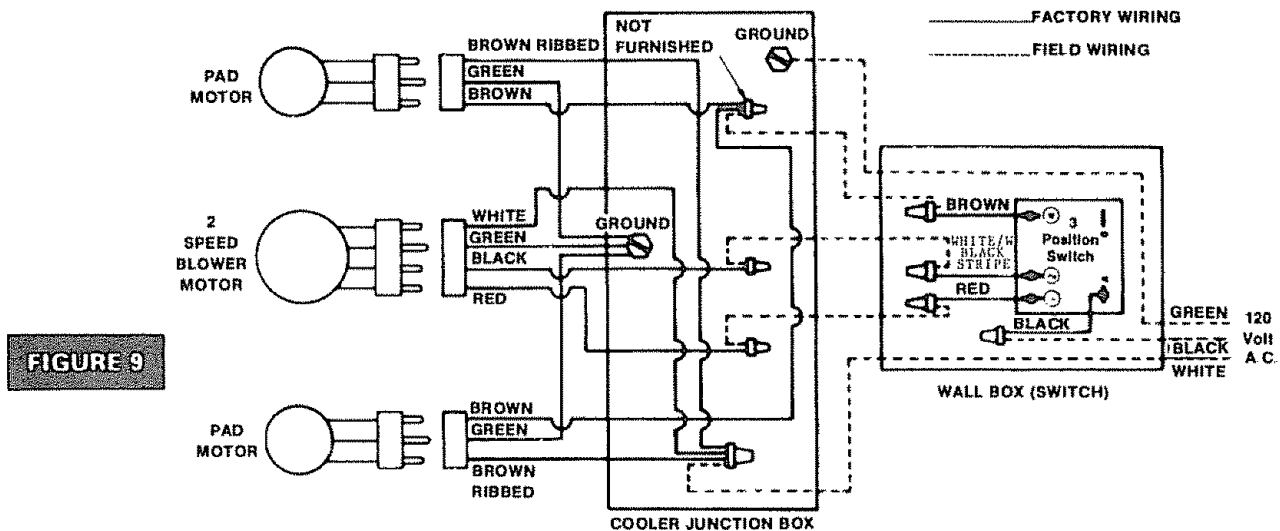
Use only a Sears 32-6251 wall mounted switch. This new cooler does not require prewetting the pads before starting cooling and does not have a pump. **Existing switches with "pump only" position are not usable.**

NEW INSTALLATIONS OR COOLER CHANGEOUT INSTALLATIONS

Use Sears 32.6251 Switch which is suitable for either new installations or existing installations. When installing a cooler or existing installation; five wires must go to the cooler including grounding connector. There are two cool positions and two vent positions. Figure 9 shows how to wire the 32.6251 switch.

CAUTION: SHUT OFF THE ELECTRIC POWER AT THE FUSE BOX BEFORE BEGINNING THE WIRING.

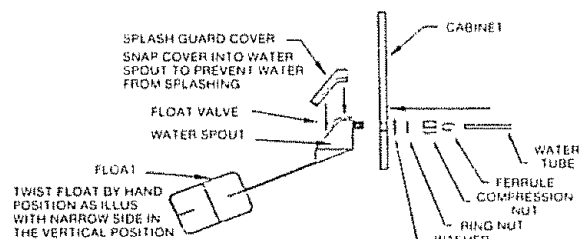
WARNING: TO REDUCE THE RISK OF FIRE OR ELECTRIC SHOCK, DO NOT USE THIS FAN WITH ANY SOLID-STATE SPEED CONTROL DEVICE



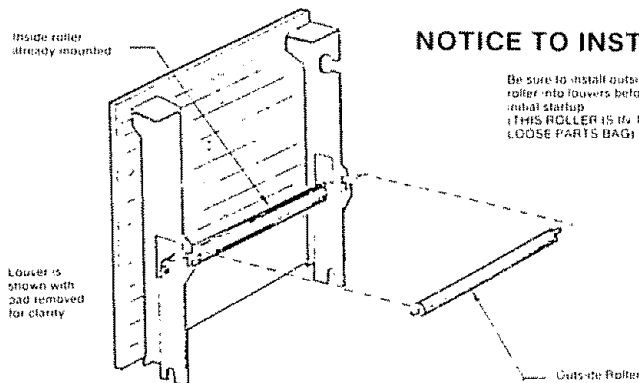
FLOAT VALVE INSTALLATION INSTRUCTIONS

It is of the Utmost Importance that the Float Valve Splash Guard and Splash Guard Cover be installed exactly as described in the illustration below

- 1) The Float Valve-Must be installed with the narrow side of the float in the vertical position. If not installed this way the float will hang up and cause the reservoir drain pipes to overflow
- 2) The water Spout and Water Spout Cover are provided to prevent water from spurting and splashing outside of the reservoirs. Snap in the Splash Guard Cover as illustrated below



INSTALLATION OF OUTSIDE ROLLERS



NOTICE TO INSTALLERS

Be sure to install outside roller into louvers before initial startup (THIS ROLLER IS IN THE LOOSE PARTS BAG)

INSTALLATION

FINAL ASSEMBLY AND ADJUSTMENT

PUT FLOAT VALVE IN COOLER

Put the float valve through the spout hole and cabinet hole. Tighten the ring nut. Be sure the float moves straight up and down. **TURN THE FLOAT UNTIL A NARROW SIDE IS UP.** Snap the Splash Guard Cover into the Water Spout as shown. The Water Spout and Splash Guard Cover are provided to prevent water from "spurting" and splashing outside the Water Reservoir.

CONNECT WATER LINE

For outdoor Hook Up, use #62527 Copper Hook Up Kit or #62528 Plastic Hook Up Kit. Both kits contain all necessary fittings to connect water to cooler. For indoor kit use copper tubing and #62522 self piercing saddle valve.

PUT IN OVERFLOW PIPE (Fig. 11)

1. Push the drain fitting through the washer and water tray hole. Tighten the ring nut. Screw the overflow pipe into the drain fitting. Repeat for the second tray.

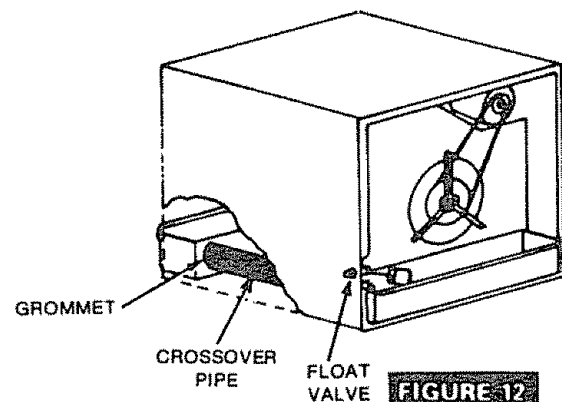
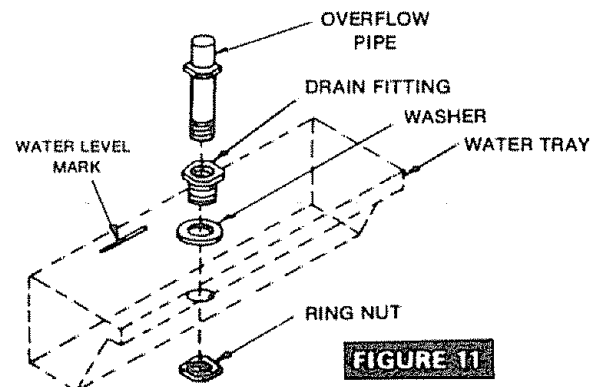
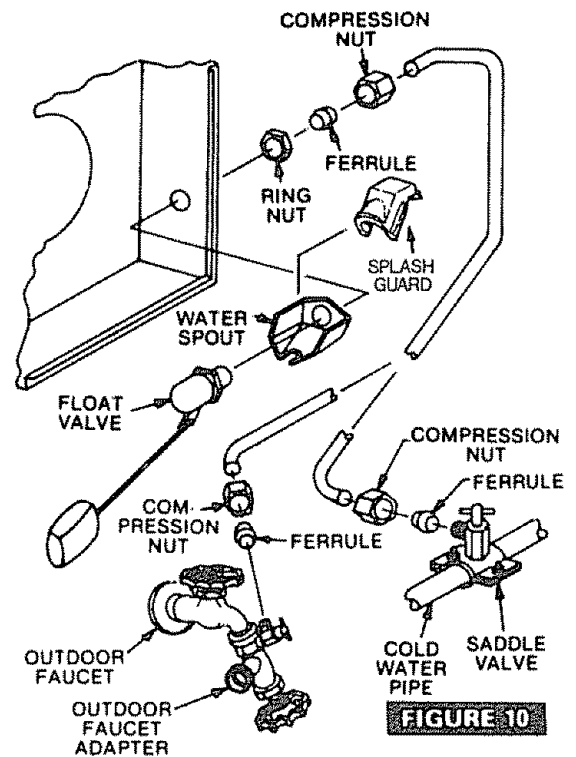
NOTE: INSTALL DRAIN FITTING INVERTED IF COOLER IS MOUNTED ON A PAD. CUT OFF THE OVERFLOW PIPE TOP FLUSH WITH THE HEXAGONAL RING.

2. Put in the float valve side tray first. The crossover tube and grommet **MUST** be on the float valve side. (Fig 12).
3. Push the crossover tube into the grommet. Use soap or detergent as a lubricant. **DO NOT USE OIL.**
4. Put the second water tray in place. Push the crossover tube into the grommet.

ADJUST WATER LEVEL

5. Turn on the water. Check the water level when the valve shuts off. If the water level is above the tray water level mark bend the float rod down. If the level is too low, bend the rod up.

NOTE: CHECK THE CROSSOVER PIPE GROMMETS AND ALL CONNECTIONS FOR LEAKS.



PUT LOUVERS ON COOLER

See page 11

INSTALLATION

MOTOR PULLEY ADJUSTMENT (Figure 13)

NOTE: ALL DUCT CONNECTED COOLERS MUST BE ADJUSTED

Long or small air ducts have excessive air resistance which decreases air output and motor amperage. You may compensate for this by adjusting the motor pulley. Use a clamp type ammeter to check the motor amperage.

1. Check amperage at the white lead in the wiring box.
2. If the amperage is less than the motor nameplate amperage, loosen the pulley pitch adjustment screw, turn the pulley 1/2 turn clockwise, tighten the screw and recheck the amperage. Repeat as necessary to bring the amperage to the nameplate rating.
3. If the amperage is too high, turn the pulley counter-clockwise as required.
4. Adjust the belt tension as required. (See page 13).

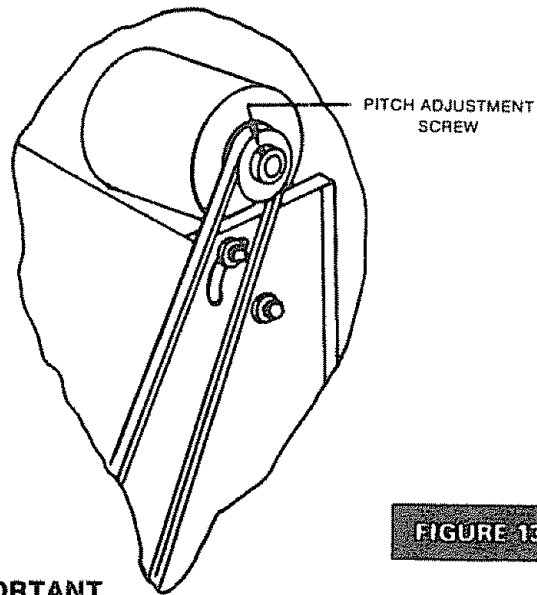


FIGURE 13

IMPORTANT

NOTE: When checking amperage with the ammeter; all louvers **must be in place** in the cooler; otherwise incorrect setting of the drive pulley will occur

STARTUP INSPECTION

Before starting the cooler, make sure all installations and adjustments are correct. Be sure that:

- Cooler is level and duct is sealed.
- Cabinet is securely fastened to the mount.
- Cooler is grounded. Electrical connections are secure.
- Blower wheel does not rub against housing.
- Water supply is turned on.
- Water line is connected securely and fittings and crossover tube grommets do not leak
- Float is adjusted for proper water level.
- Pulley alignment is OK. Belt tension is OK (See page 13).
- Pads are correctly installed (See page 13).
- Blower and both pad motors are plugged into receptacles.
- All louver clips are snapped tight

STARTUP CHECK LIST

To check out the installation follow this startup procedure. Set the control to each position and check operation per the following chart. Be sure to open windows or vents.

OPERATION WITH SEARS SWITCH 32-6251

(Five Position)

| Switch | Blower Motor | Pad Motors |
|-----------|--------------|------------|
| Off | Off | Off |
| Low Vent | Low | Off |
| High Vent | High | Off |
| Low Cool | Low | On |
| High Cool | High | On |

HOW TO USE YOUR COOLER

HOW YOUR COOLER WORKS

Your cooler evaporates water to cool air. Evaporative air cooling is the same natural cooling that happens when a breeze springs up after a summer shower. You feel cool because the rain water evaporates and carries away heat.

Your new cooler has a motor (1) driven blower (2) which draws outside air through pads (3) which are turned by drive motors (4). The pads turn through water in trays (5) filled by the water float valve (6) and water crossover pipe (7). Air passes through the pads, is cooled by water evaporation, and is sent into your home. (Figure 14)

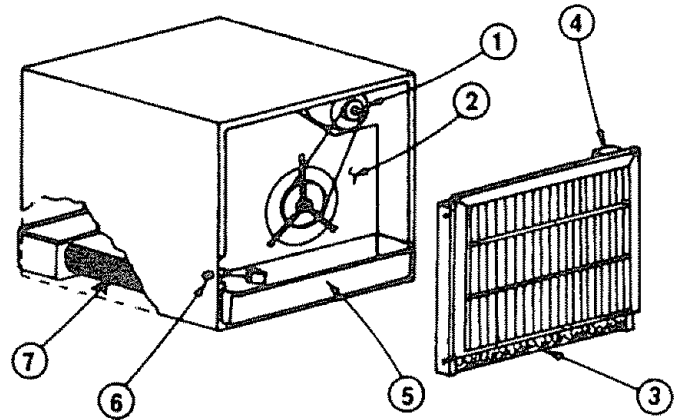


FIGURE 14

You may also run the cooler in "Vent" when you want fresh air and no cooling.

Relative humidity affects the cooling capacity of any cooler. See chart to determine the maximum amount of cooling possible at your outside temperature and outside humidity. (Figure 15)

| OUTSIDE TEMPERATURE | OUTSIDE RELATIVE HUMIDITY - % | | | | | | | |
|---------------------|-------------------------------|-----|-----|-----|-----|------|-----|-----|
| | 5 | 10 | 15 | 20 | 30 | 40 | 50 | 60 |
| 80° | 56° | 58° | 60° | 61° | 64° | 67° | 69° | 72° |
| 90° | 62° | 64° | 66° | 68° | 72° | 75° | 78° | 81° |
| 100° | 68° | 71° | 73° | 75° | 79° | 83° | 87° | 90° |
| 110° | 74° | 77° | 80° | 82° | 87° | 92° | 95° | — |
| 120° | 79° | 83° | 86° | 89° | 95° | 100° | — | — |

LOWEST POSSIBLE OUTPUT TEMPERATURE :

COOLING YOUR HOME

Your cooler and window or vents are the two parts of your air cooling system. Outside air is filtered and cooled, goes through your home, and carries away heat and household odors. You control the air cooling flow to your rooms by opening doors, windows, or vents. (Figure 16)

You must have window, door, or vent openings to let air out when the cooler runs. The total opening areas you need are shown below:

| MODEL | TOTAL OPENING AREA |
|------------|------------------------|
| 661.623920 | 11 Square feet minimum |
| 661.624420 | 10 Square feet minimum |
| 661.624530 | 12 Square feet minimum |
| 661.624630 | 14 Square feet minimum |
| 661.624670 | 16 Square feet minimum |

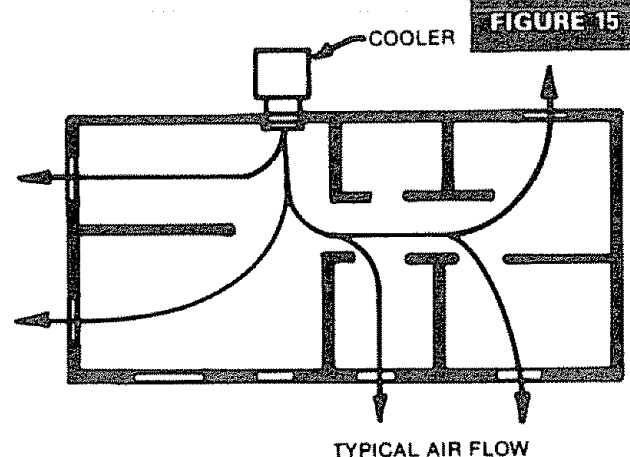


FIGURE 16

CARE OF YOUR COOLER

CAUTION: ALWAYS UNPLUG YOUR COOLER BEFORE YOU WORK ON IT. YOU COULD BE HURT IF THE COOLER IS TURNED ON WHEN YOUR HANDS ARE INSIDE THE COOLER

SPRING CARE: Clean your cooler. (See page 12)
Oil your cooler. (See page 13)
Put a new pad in if the old pad is plugged with dirt or water hardness. (See pages 12 and 13).
Check belt tightness. (See page 13).

SUMMER CARE: Drain and clean the cooler every two months if your water is hard or the air is dusty.
You may prolong pad life in many hard water areas if you drain the water tray every two to three weeks. (See page 12, Preventing mineral build-up).

FALL CARE: Drain the cooler and water line to prevent freezing damage. (See page 12).
Clean the cooler. (See page 12).
Cover the cooler
Sears has covers to fit your cooler.

TAKING OFF LOUVER (FIGURE 17)

- 1 Unsnap the six louver clips
Use a small screwdriver
- 2 Tilt out the louver at the top
Unplug the pad motor plug.
- 3 Take off the louver
Set it where it will not fall

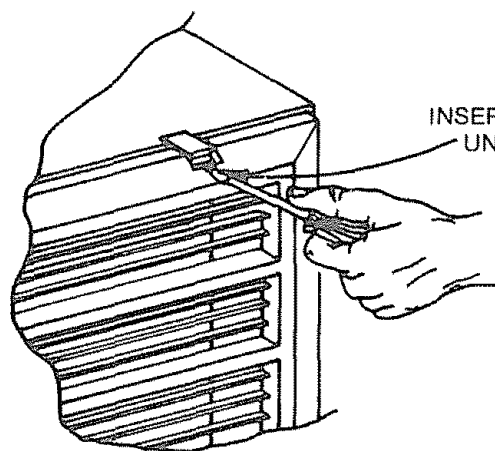


FIGURE 17

PUTTING ON LOUVER (Figure 18)

- 1 Put the louver bottom into water tray
- 2 Plug in the pad motor
- 3 Close the louver.
Snap the six clips onto the louver

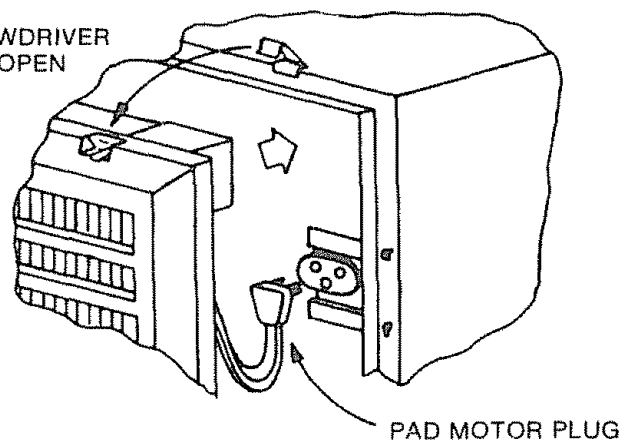


FIGURE 18

CARE OF YOUR COOLER

TAKING OFF PAD (Fig. 19)

1. Lift up the small roller ends to unsnap the two center rollers. Pull out the two small rollers.
2. Pull out and turn the top roller bearing arm to line up the slot.
3. Lift edge of pad from under the guide and pull out the top roll end.
4. Take out the pad and bottom roller which will slide out of the bottom slots.

CLEANING YOUR COOLER (FIG. 20) HELPS PREVENT MINERAL BUILD-UP

WARNING: NEVER WASH YOUR COOLER INTERIOR WITH A GARDEN HOSE. WATER MAY HARM THE MOTORS OR GET INTO YOUR HOUSE.

1. **DISCONNECT THE ELECTRIC POWER AT THE FUSE BOX.**
2. Remove the Louvers. (See page 11)
3. Connect a garden hose to a water tray drain fitting. Unscrew and remove the overflow pipe to drain the tray
4. Automatic cycling. **BLEED—OFF KIT** available (Sears 32-62562)

NEVER DRAIN WATER ONTO A ROOF. WATER RESIDUE MAY CAUSE YOU TO SLIP OR MAY STAIN YOUR ROOF. USE A DRAIN HOSE TO RUN WATER TO A RAIN GUTTER OR TO A DRAIN.

5. Drain the other tray.
6. Take off the pads if they are dirty or clogged
7. Use a sponge and mild detergent to wash the dirt or scale from the trays and grilles. **DO NOT GET WATER ON THE PAD MOTORS.**
8. If the pads are clogged with hard water deposits and dirt, replace the pads. See page 13.
9. Put the overflow pipes and grilles in place (See page 11)

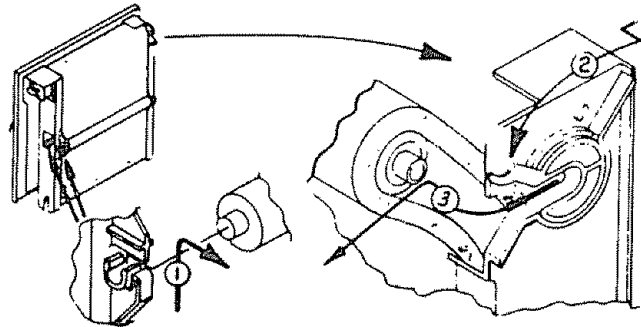


FIGURE 19

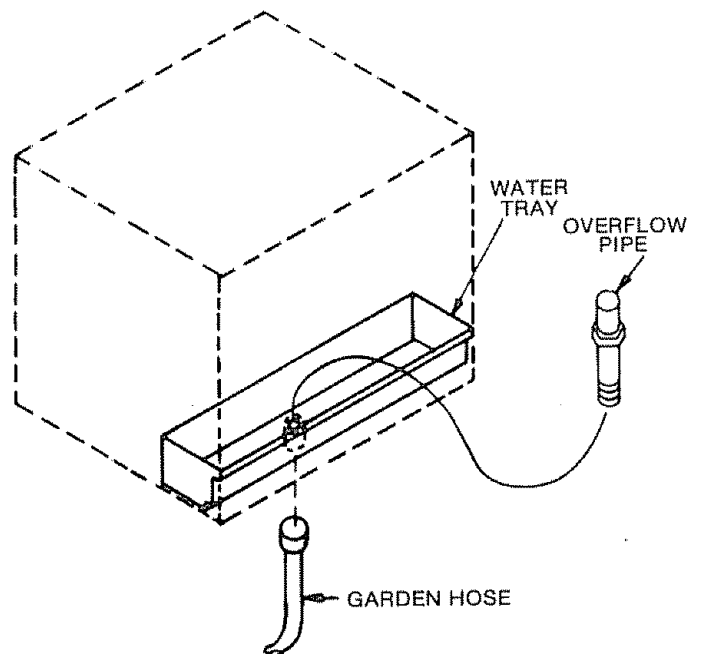


FIGURE 20

CARE OF YOUR COOLER

PUTTING ON NEW PAD (Fig. 21)

THE PADS NEED NO PREWETTING

- ① Put the lower roller in pad.
- ② Fit the lower roller into the bottom slots in the frame.
- ③ Push the top roller through the pad. Fit the roll end over the pad motor shaft drive block.
- ④ Push the top roller end into the bearing.
- ⑤ Turn the bearing arm to hold the roller.
- ⑥ TUCK THE PAD EDGES UNDER THE 2 GUIDES ON EACH SIDE.
- ⑦ Put the two small center rollers in place. Snap the ends into the holders. (See lubrication instructions below)

OILING (Fig.22)

Use SAE 20 Non-detergent motor oil once per year.

- 1 Fill the two blower shaft bearing cups (A)
- 2 Put two or three drops in the two oil fill tubes on the blower motor (B) (Motors without oil fill tubes have lifetime lubrication).
- 3 Put two or three drops in the end bearing on each pad motor (C)

BLOWER BELT ADJUSTMENT (Fig. 23)

CAUTION: DO NOT ADJUST BELT TENSION BY CHANGING THE DIAMETER OF THE MOTOR PULLEY. ADJUST BELT TENSION ONLY BY MOVING THE MOTOR BRACKET.

1. If you can easily move the belt over 1 inch. it needs adjustment.
2. To adjust belt tension, loosen the three motor mount bolts.
3. Push the motor to tighten the belt until belt moves about ½ inch with finger force.
4. Tighten the three motor mount bolts.

SEARS REPLACEMENT PADS

| MODEL NUMBER | SEARS PAD NUMBER |
|--------------|------------------|
| 661.623920 | 42-6293 |
| 661.624420 | 42-6293 |
| 661.624530 | 42-6294 |
| 661.624630 | 42-6295 |
| 661.624670 | 42-6295 |

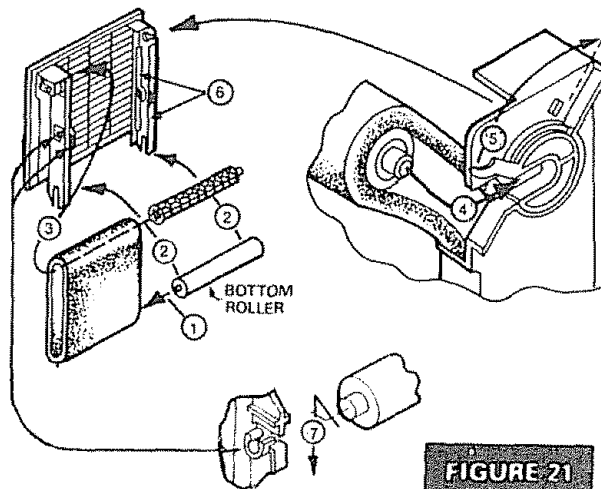


FIGURE 21

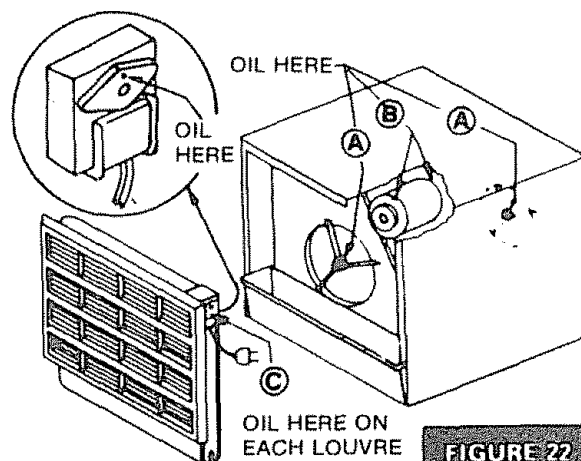


FIGURE 22

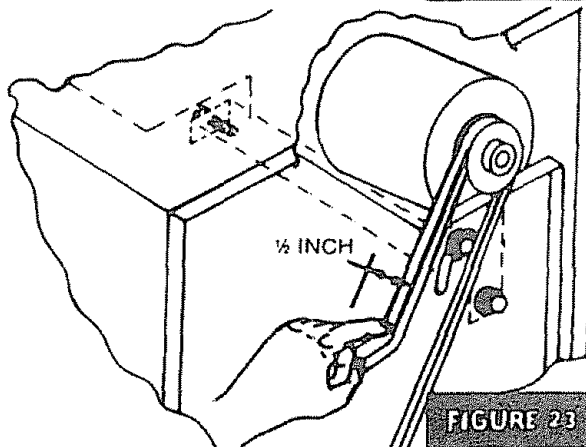
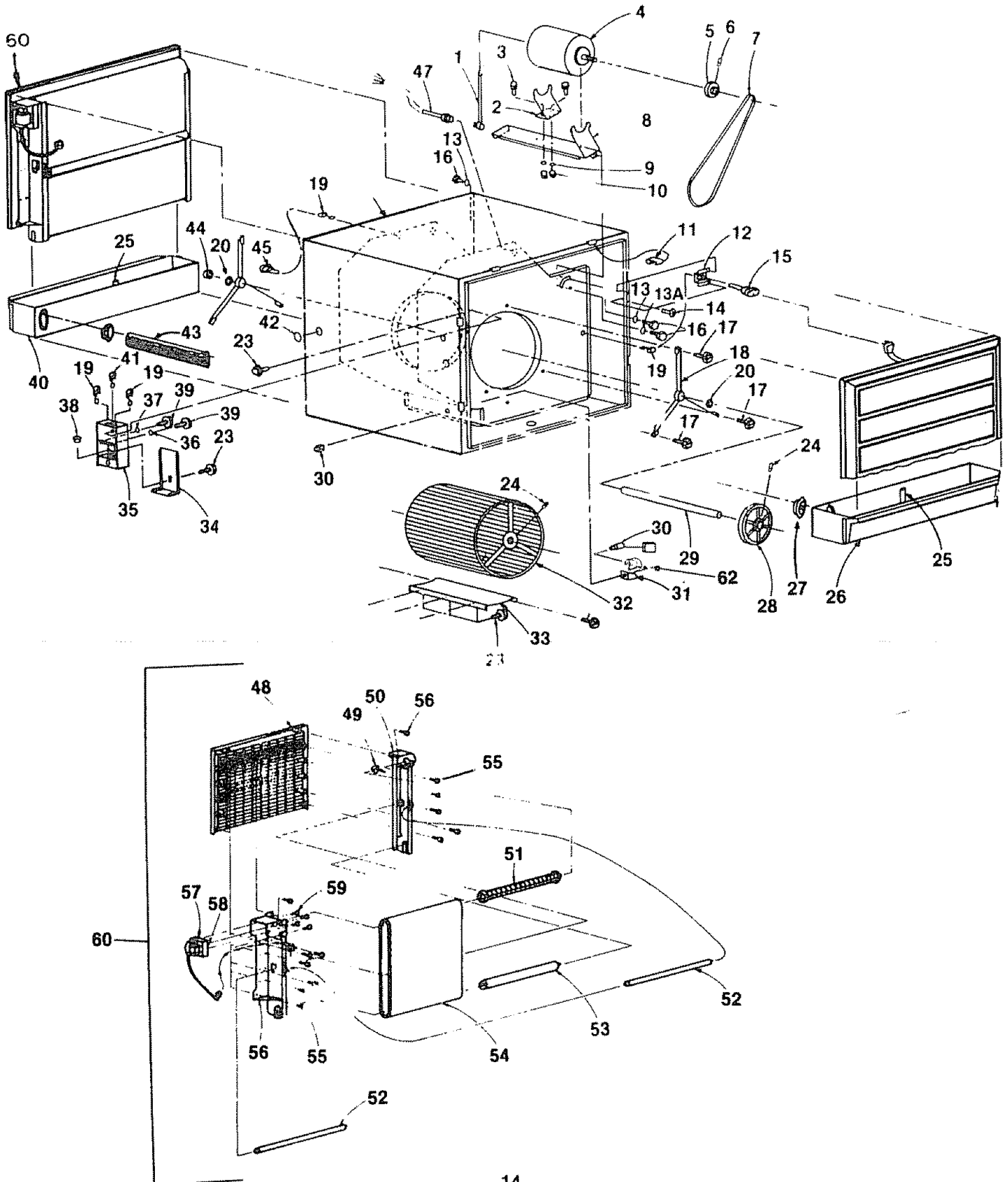


FIGURE 23

REPAIR PARTS

**KENMORE CONVERTIBLE DOWN/FRONT OUTLET EVAPORATIVE AIR COOLER.
MODEL NOS. 661.623920, 661.624420, 661.624530, 661.624630, 661.624670**



REPAIR PARTS

KENMORE CONVERTIBLE DOWN/FRONT OUTLET EVAPORATIVE AIR COOLER MODEL NOS. 661.623920, 661.624420 661-624530 ,661.624630, 661.624670

NOTICE: Order by PART NUMBER, not by Key Number Refer to the back cover of this manual for parts ordering information

| KEY NO | PART NUMBERS FOR MODEL NUMBERS | | | | | DESCRIPTION |
|--------|--------------------------------|------------|------------|------------|------------|--|
| | 661.623920 | 661.624420 | 661.624530 | 661.624630 | 661.624670 | |
| 1 | 30439 | 30439 | 30439 | 30439 | 30439 | Motor Plug |
| 2 | 50255 | 50255 | 50255 | 50255 | 50255 | Motor Tail Mount |
| 3 | STD523107 | STD523107 | STD523107 | STD523107 | STD523107 | Machine Screw 5/16 - 18 X 3/4 |
| 4 | 32-61074 | 32-61073 | 32-61074 | 32-61075 | 581191 | Motor |
| 5 | 30315 | 30315 | 30315 | 30315 | 583054 | Pulley - includes Key 6 |
| 6 | STD503102 | STD503102 | STD503102 | STD503102 | STD503102 | Set Screw 5/16 - 18 X 25 Hex Socket, Cup Point |
| 7 | STD304550 | STD304580 | STD304640 | 30557 | 30557 | V-Belt |
| 8 | 30305-00 | 30305-00 | 30304-00 | 30304-00 | 30304-00 | Motor Mount |
| 9 | STD551131 | STD551131 | STD551131 | STD551131 | STD551131 | Lock Washer 5/16 Helical Spring |
| 10 | STD541031 | STD541031 | STD541031 | STD541031 | STD541031 | Hex Nut 5/16 -18 |
| 11 | 30105 | 30105 | 30105 | 30105 | 30105 | Clip |
| 12 | 30311-00 | 30311-00 | 30311-00 | 30311-00 | 30311-00 | Receptacle Mound |
| 13 | STD551231 | STD551231 | STD551231 | STD551231 | STD551231 | Lock Washer - 5/16 internal tooth |
| 13A | 50294 | 50294 | 50294 | 50294 | 50294 | Lock Washer |
| 14 | STD610803 | STD610803 | STD610803 | STD610803 | STD610803 | Screw # 8 - 18 X 3/8 Phillips, Type AB |
| 15 | 30432 | 30432 | 30432 | 30432 | 30432 | Pad Motor Connector |
| 16 | 30551 | 30551 | 30551 | 30551 | 30551 | Machine Screw 5/16 - 18 x 3/8 |
| 17 | 08133 | 08133 | 08133 | 08133 | 08133 | Screw 1/4 -14 x 3/8, Type B |
| 18 | V30289 | V30289 | V30288 | V30288 | V30288 | Bearing Mount |
| 19 | 14864 | 14864 | 14864 | 14864 | 14864 | Bushing |
| 20 | 501241 | 501241 | 501241 | 501241 | 501241 | Thrust Washer |
| 23 | 30686 | 30686 | 30686 | 30686 | 30686 | Screw #8 -18 x 1/2, Type B |
| 24 | STD503105 | STD503105 | STD603105 | STD503105 | STD503105 | Set Screw 5/16 - 18 Socket |
| 25 | 31086 | 31086 | 31086 | 31086 | 31086 | Overflow Drain |
| 26 | 32019-10 | 32019-10 | 32025-10 | 32031-10 | 32031-10 | Reservoir |
| 27 | 31984 | 31984 | 31984 | 31984 | 31984 | Grommet |
| 28 | 50462 | 30314 | 30314 | 30314 | 30314 | Pulley-includes Key 24 |
| 29 | 30238-02 | 30238-02 | 30238-01 | 30238-01 | 30238-01 | Shaft |
| 30 | 30482 | 30482 | 30482 | 30482 | 30482 | Float and Valve |
| | STD575026 | STD575026 | STD575026 | STD575026 | STD575026 | Ferrule |
| | STD575025 | STD575025 | STD575025 | STD575025 | STD575025 | Compression Nut |
| 31 | 30418-01 | 30418-01 | 30418-01 | 30418-01 | 30418-01 | Water Shield |
| 32 | 30322 | 30322 | 30323 | 30323 | 30323 | Blower Wheel |
| 33 | 30177 | 30177 | 30148 | 30148 | 30167 | Baffle |
| 34 | 30205 | 30205 | 30205 | 30205 | 30205 | Junction Box Cover |
| 35 | 30202 | 30202 | 30202 | 30202 | 30202 | Junction Box |
| 36 | 27835 | 27835 | 27835 | 27835 | 27835 | Cupped Washer |
| 37 | 14982 | 14982 | 14982 | 14982 | 14982 | Lock Washer #8 Star |
| 38 | 29816 | 29816 | 29816 | 29816 | 29816 | Bushing |
| 39 | 30585 | 30585 | 30585 | 30585 | 30585 | Screw #8 - 32 x 7/16, Type T, Green |
| 40 | 32019-20 | 32019-20 | 32025-20 | 32031-20 | 32031-20 | Reservoir |
| 41 | 30552 | 30552 | 30552 | 30552 | 30552 | Bushing |
| 42 | 29996 | 29996 | 29996 | 29996 | 29996 | Plug |
| 43 | 31985-03 | 31985-03 | 31985-02 | 31985-02 | 31985-02 | Tube |

WHEN ORDERING REPAIR PARTS ALWAYS GIVE THE FOLLOWING INFORMATION:

1. PART NUMBER 3. MODEL NUMBER
2. PART DESCRIPTION 4. NAME OF ITEM

If the parts you need are not stocked locally, your order will be electronically transmitted to a Sears Repair Parts Distribution Center for handling.

The Model Number of your cooler will be found on the back side of your cooler

**KENMORE CONVERTIBLE DOWN/FRONT OUTLET EVAPORATIVE AIR COOLER
MODEL NOS. 661.623920, 661.624420 661-624530 ,661.624630, 661.624670**

| Key No. | PART NUMBERS FOR MODEL NUMBERS | | | | | DESCRIPTION |
|---------|--------------------------------|------------|------------|------------|------------|-------------------------------------|
| | 661.623920 | 661.624420 | 661.624530 | 661.624630 | 661.624670 | |
| 44 | 501243 | 501243 | 501243 | 501243 | 501243 | Collar |
| 45 | 30433 | 30433 | 30433 | 30432 | 30432 | Pad Motor Connector |
| 47 | 30878 | 30878 | 30440 | 30441 | 30441 | Motor Connector |
| 48 | 30214-01 | 30214-01 | 30254-01 | 29738-01 | 29738-01 | Louver |
| 49 | 31047 | 31047 | 31047 | 31047 | 31047 | Bearing |
| 50 | 30206-01 | 30206-01 | 30250-01 | 29817-01 | 29817-01 | Side Support |
| 51 | 30224-01 | 30224-01 | 30242-01 | 29861-01 | 29861-01 | Top Roller |
| 52 | 30211 | 30211 | 30235 | 30119 | 30119 | Roller → |
| 53 | 30212 | 30212 | 30237 | 30127 | 30127 | Bottom Roller |
| 54 | 32-6293 | 32-6293 | 32-6294 | 32-6295 | 32-6295 | Evaporator Pad |
| 55 | 30465 | 30465 | 30465 | 30465 | 30465 | Screw #10 16 x ¾ |
| 56 | 30233-01 | 30233-01 | 30256-01 | 29815-01 | 29815-01 | Motor Side Support |
| 57 | V30336 | V30336 | V30336 | V30336 | 00061 | Pad Motor |
| 58 | 29862 | 29862 | 29862 | 29862 | 29862 | Roller Drive |
| 59 | STD601103 | STD601103 | STD601103 | STD601103 | STD601103 | Screw #10 32 x ¾ |
| * | 30780-6 | 30780-6 | 30780-6 | 30780-6 | 30780-6 | Owners Manual F642-1688 Rev. 6/92 |
| 60 | 30338 | 30338 | 30337 | 30332 | 30332 | Louver Assembly-includes Keys 48-59 |
| 61 | 24971-1 | 24971-1 | 24971-1 | 24971-1 | 24971-1 | Bushing-Bottom Roller |
| 62 | 523122 | 523122 | 523122 | 523122 | 523122 | Splash Guard Cover |
| * | 32-6256 | 32-6256 | 32-6257 | 32-6258 | 32-6258 | Roof Stand Kit - Optional |
| * | 32-62562 | 32-62562 | 32-62562** | 32-62562** | 32-62562** | Bleed-Off System - Optional |
| * | 32-6251 | 32-6251 | 32-6251 | 32-6251 | 32-6251 | 5-Position Switch - Optional |
| * | 32-6202 | 32-6202 | 32-6203 | 32-6204 | 32-6204 | PROTECTIVE COOLER COVER |

* Unillustrated Item

** Included

Model Numbers

661.623920

661.624630

661.624420

661.624670

661.624530

The Model Number of your Evaporative Air Cooler will be found on the cooler cabinet label.

WHEN ORDERING REPAIR PARTS ALWAYS GIVE THE FOLLOWING INFORMATION:

1. PART NUMBER: (SEE REPAIR PARTS)
2. PART DESCRIPTION: (SEE REPAIR PARTS)
3. MODEL NUMBER
4. NAME OF ITEM (EVAPORATIVE COOLER)

HOW TO ORDER REPAIR PARTS

All parts listed herein may be ordered from any **SEARS ROEBUCK AND CO. SERVICE CENTER.**

If the parts you need are not stocked locally, your order will be electronically transmitted to a Sears Repair Parts Distribution Center for handling.

SEARS, ROEBUCK AND CO., CHICAGO, IL 60684 U.S.A.

Free Manuals Download Website

<http://myh66.com>

<http://usermanuals.us>

<http://www.somanuals.com>

<http://www.4manuals.cc>

<http://www.manual-lib.com>

<http://www.404manual.com>

<http://www.luxmanual.com>

<http://aubethermostatmanual.com>

Golf course search by state

<http://golfingnear.com>

Email search by domain

<http://emailbydomain.com>

Auto manuals search

<http://auto.somanuals.com>

TV manuals search

<http://tv.somanuals.com>