

123 & 134 SCRAMBLED EGG FORMS



Model 123



Model 134

Scramble eggs right on the griddle using Prince Castle's scrambled egg forms. These scrambled egg forms produce neat, appetizing orders of scrambled eggs with little effort. The egg forms are coated with a nonstick coating for no-waste cooking and easy cleanup. Durable metal construction prevents eggs from leaking. The 10" diameter (No. 123) scrambles up to eight eggs at once. The 10" x 16" (25.40 cm x 40.64 cm) (No. 134) scrambles up to 16 eggs at once.

STANDARD FEATURES

- n** Scramble up to eight eggs (Model 123) or up to 16 eggs (Model 134) at one time.
- n** Nonstick coating for no waste cooking and easy cleanup.
- n** Saves griddle space.
- n** Eggs are easier to manage and help you to serve a neat and appetizing egg product.
- n** Durable, finger-formed Bakelite handles.
- n** Easy to clean.
- n** Available in round or rectangular forms.

123 & 134 SCRAMBLED EGG FORMS

PRINCE CASTLE INC. 
WORLDWIDE

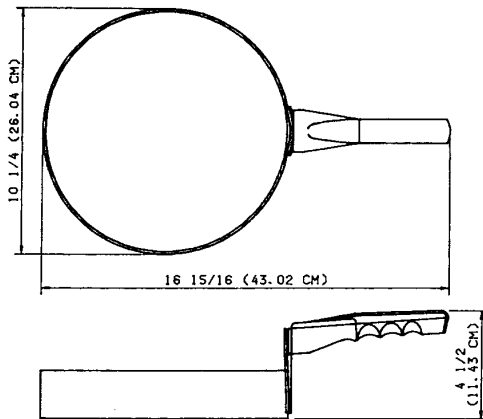
SPECIFICATIONS

DIMENSIONS

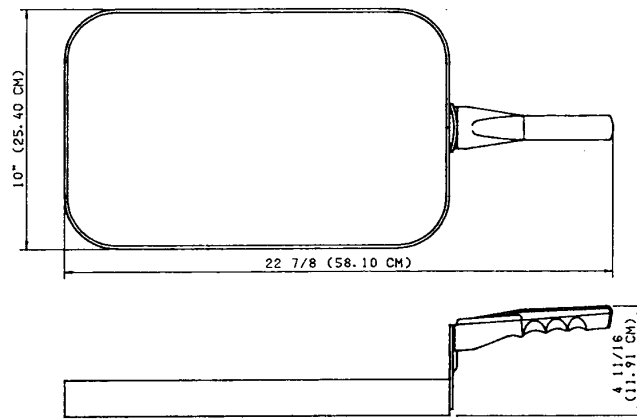
MODEL NUMBER	LENGTH IN. (CM)	OVERALL HEIGHT IN. (CM)	RING HEIGHT IN. (CM)	DIAMETER/WIDTH IN. (CM)	SHIPPING WT. LB. (KG.)
123	16 ¹⁵ / ₁₆ (43.02)	4 ¹ / ₂ (11.43)	2 (5.08)	10 ¹ / ₄ (26.04)	3 (1.36)
134	22 ⁷ / ₈ (58.01)	4 ¹ / ₁₆ (11.91)	1 ¹ / ₂ (3.8)	10 (25.40)	5 (2.27)

ORDERING INFORMATION

MODEL	DESCRIPTION
123	Scrambled Egg Form 10" (25.40 cm) Diameter
134	Scrambled Egg Form 10" x 16" (25.40 cm x 40.64 cm)



NO. 123



NO. 134

*Designs and specifications are subject to change without notice.



Free Manuals Download Website

<http://myh66.com>

<http://usermanuals.us>

<http://www.somanuals.com>

<http://www.4manuals.cc>

<http://www.manual-lib.com>

<http://www.404manual.com>

<http://www.luxmanual.com>

<http://aubethermostatmanual.com>

Golf course search by state

<http://golfingnear.com>

Email search by domain

<http://emailbydomain.com>

Auto manuals search

<http://auto.somanuals.com>

TV manuals search

<http://tv.somanuals.com>