



WLVEH Enclosure
for
Wireless Control/Video Systems
Installation/Operation Manual
C907M-A (7/96)

Pelco • 300 W. Pontiac Way, Clovis, CA 93612-5699 • USA • (800) 289-9100 or (1-209) 292-1981
FAX (800) 289-9150 or (1-209) 292-3827 • DataFAX (800) 289-9108 or (1-209) 292-0435
International customers call (1-209) 292-1981 or FAX (1-209) 348-1120

TABLE OF CONTENTS

Section	Page
1.0 WARNINGS	1
2.0 SCOPE	2
3.0 DESCRIPTION	2
4.0 INSTALLATION	2
4.1 TRANSMITTER	2
4.2 RECEIVER	2
5.0 SPECIFICATIONS	3
6.0 EXPLODED ASSEMBLY DIAGRAM	4
6.1 MECHANICAL PARTS LIST	5
7.0 WIRING DIAGRAM	5
8.0 WARRANTY AND RETURN	6

LIST OF ILLUSTRATIONS

Figure	Page
1 WLVEH Outdoor Enclosure Exploded Assembly Diagram	4
2 WLVEH Outdoor Enclosure Wiring Diagram	5

REVISION HISTORY

Manual #	Date	Comments
C907M	1/95	Original manual.
C907M-A	7/96	Complete revision to reflect redesign of unit.
	11/96	Revised Figure 1 and installation instructions per ECO 96-284. Added Section 7.0, "Wiring Diagram."

®Pelco and the Pelco logo are registered trademarks of Pelco.
©Copyright 1996, Pelco. All rights reserved.

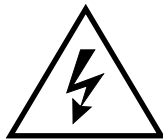
**INSTALLATION/OPERATION MANUAL
WLVEH ENCLOSURE
FOR WIRELESS CONTROL/VIDEO SYSTEMS**

1.0 WARNINGS

Prior to installation and use of this product, the following WARNINGS should be observed.

1. Installation and servicing should only be done by qualified service personnel and conform to FCC regulations and all Local codes.
2. Unless the unit is specifically marked as a NEMA Type 3, 3R, 3S, 4, 4X, 6 or 6P enclosure, it is designed for indoor use only and it must not be installed where exposed to rain and moisture.
3. The product may bear the following marks:
 4. Only use replacement parts recommended by Pelco.
 5. After replacement/repair of this unit's electrical components, conduct a resistance measurement between line and exposed parts to verify the exposed parts have not been connected to line circuitry.

This symbol indicates that dangerous voltage constituting a risk of electric shock is present within this unit.



CAUTION:
TO REDUCE THE RISK OF ELECTRICAL SHOCK, DO NOT REMOVE COVER. NO USER-SERVICEABLE PARTS INSIDE. REFER SERVICING TO QUALIFIED SERVICE PERSONNEL.

This symbol indicates that there are important operating and maintenance instructions in the literature accompanying this unit.



CAUTION:
RISK OF ELECTRIC SHOCK.
DO NOT OPEN.

Please thoroughly familiarize yourself with the information in this manual prior to installation and operation.

2.0 SCOPE

This manual covers the installation of the following wireless systems in the WLVEH outdoor enclosure:

- WLV500 Series of control systems
- WLV2000 Series of video systems

3.0 DESCRIPTION

The WLVEH Enclosure is a NEMA-rated housing that protects the WLV500 Series of wireless control systems and WLV2000 Series of wireless video systems in outdoor environments.

Input power to the enclosure is selectable from either 120 VAC, 24 VAC, or 230 VAC. The AC input is converted to a regulated 15 VDC to power the wireless system.

The enclosure can be mounted to a flat surface or to a pole when installed with Pelco's PA102 pole mount, and PA9000 pole mount adapter.

4.0 INSTALLATION

You can install either a wireless transmitter unit or a wireless receiver unit in the enclosure. Proceed to either Section 4.1, "Transmitter" or Section 4.2, "Receiver."

4.1 TRANSMITTER

Refer to Figure 1 to install the wireless transmitter. The following instructions apply to both the WLV500 and WLV2000 units.

1. Open the lid of the enclosure.
2. Remove the four screws that secure the transmitter mounting plate (item 11) to the enclosure mounting plate (15).
3. Install the transmitter to the transmitter mounting plate so that the electrical connections on the transmitter face the bottom of the enclosure. Use four small Phillips screws and lockwashers that are supplied with the transmitter.
4. If you have an omnidirectional dipole antenna, screw it onto the transmitter.

5. Reinstall the transmitter mounting plate (11) inside the enclosure. There are two sets of four mounting holes on the enclosure mounting plate (15). On units without an omnidirectional dipole antenna, use the top holes to provide more clearance for making connections to the transmitter.
6. Connect the power leads inside the enclosure to the transmitter. The red wire attaches to the positive (+) terminal and the black wire to the negative (-) terminal.
7. There are two Phillips screws (I) on the bottom of the enclosure. Nothing is attached to them when a transmitter is installed in the enclosure.
8. Close the lid.
9. To complete the installation, refer to the instructions for outdoor installation in your WLV500 or WLV2000 manual.

4.2 RECEIVER

Refer to Figure 1 to install the wireless receiver. The following instructions apply to both the WLV500 and WLV2000 units.

1. Open the lid of the enclosure.
2. Remove the four screws that secure the receiver mounting plate (item 11) to the enclosure mounting plate (15).
3. Install the receiver to the receiver mounting plate so that the electrical connections on the receiver face the bottom of the enclosure. Use four small Phillips screws and lockwashers that are supplied with the receiver.
4. Reinstall the receiver mounting plate (11) inside the enclosure. There are two sets of four mounting holes on the enclosure mounting plate (15). On units without an omnidirectional dipole antenna, use the top holes to provide more clearance for making connections to the bottom of the receiver.
5. Connect the power leads inside the enclosure to the receiver. The red wire attaches to the positive (+) terminal and the black wire to the negative (-) terminal.

6. There are two Phillips screws (I) on the bottom of the enclosure. If you are installing a WLV500 receiver, they are not used. If you are installing a WLV2000 receiver, they are test points for measuring Received Signal Strength Indication (RSSI). Wire the test points as follows:
 - a. Solder one end of a wire to the solder lug on receiver mounting plate. Solder the other end of the wire to the solder lug on the Phillips screw on the left (the screw to the left of I) on the bottom of the enclosure.
 - b. Solder one end of a wire to the solder lug on the Phillips screw on the right (I) on the bottom of the enclosure. Screw the other end of the wire into the tip plug that is supplied.
 - c. Push the tip plug into the green connector on the front of the receiver.
7. Attach the receive antenna (18) to the antenna mounting bracket (16).
8. Screw the connector on the end of the antenna cable onto the mating connector on the top of the receiver.
9. Close the lid.
10. To complete the installation, refer to the instructions for outdoor installation in your WLV500 or WLV2000 manual.

5.0 SPECIFICATIONS

Power Input:	24, 120, or 230 VAC
Construction:	Fiberglass box with NEMA 4X rating
IEC 144 Rating:	IP66
Dimensions:	4.3" H x 11.5" L x 9.5" W (10.92 x 29.21 x 24.13 cm)
Cable Entry:	One (1) gland for power cord Two (2) glands for video and audio coaxial cable
Locking Method:	Latches with holes for padlocks
Weight (excluding wireless transmitter or receiver)	
Enclosure:	8.6 lbs (3.90 kg)
Shipping:	10.6 lbs (4.81 kg)

6.0 EXPLODED ASSEMBLY DIAGRAM

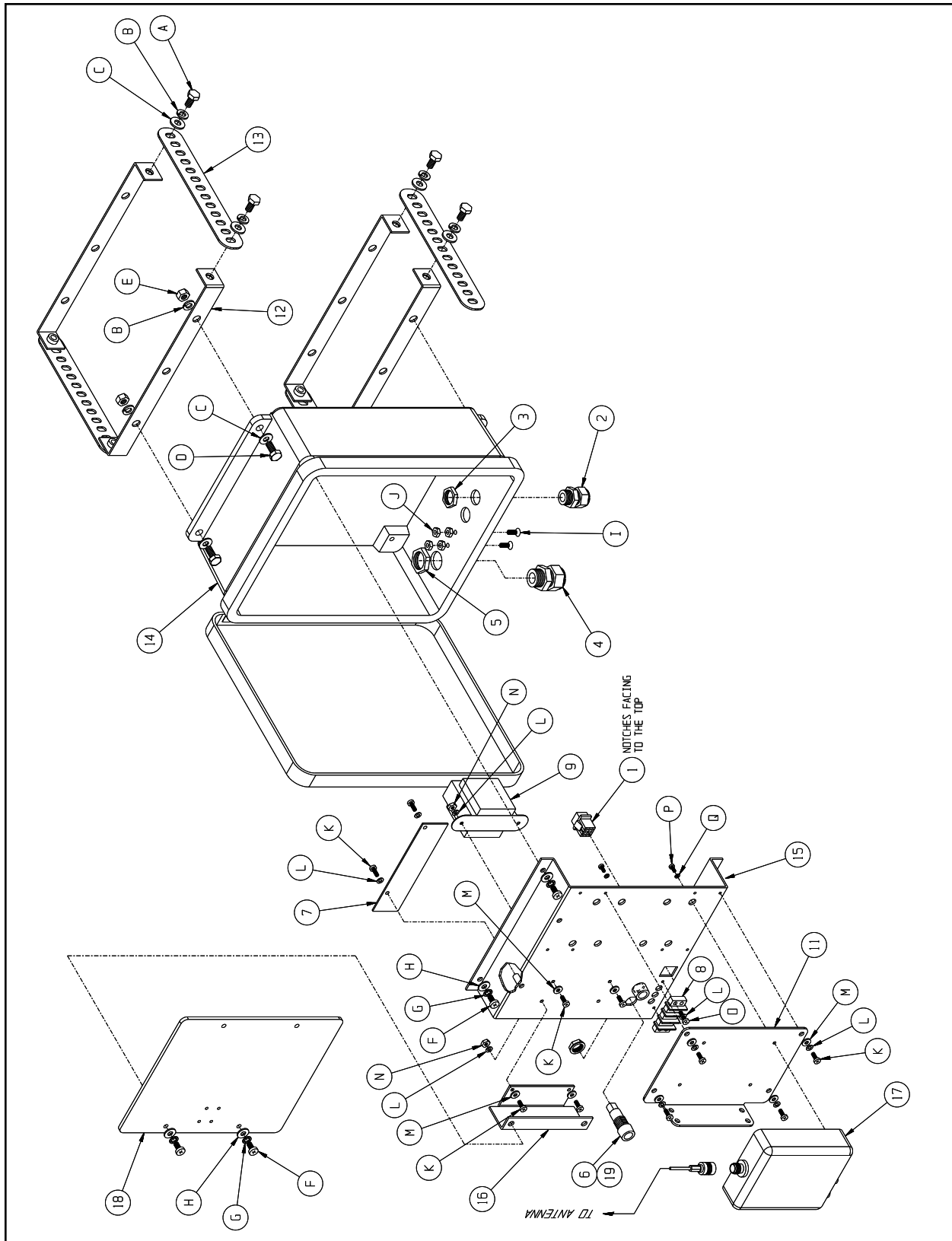


Figure 1. WLVEH Outdoor Enclosure Exploded Assembly Diagram

6.1 MECHANICAL PARTS LIST

Item	Quantity	Description	Part Number
1	1	9-Pin Connector	CON03-06-1091
2	2	Gland	EH400010003
3	2	Gland Nut	EH400010004
4	1	Gland	CX950010000
5	1	Gland Nut	CX950010001
6	2	Fuse Holder	FUS342012L
7	1	Power Supply Assembly	PCB9000281ASSY
8	1	3-Position Terminal Block	TRB3-140Y
9	1	Transformer	TRF21162.01.OCM
10	1	Power Cord (not shown)	WIRC1318006BL
11	1	Transmitter/Receiver Mounting Plate	WLV4100COMP
12	4	Fixed Tilt Bracket	WLV4155COMP
13	4	Adjustment Bracket	WLV4156COMP
14	1	Enclosure Box	WLVEH4000COMP
15	1	Mounting Plate	WLVEH4151COMP
16	1	Antenna Mounting Bracket	WLVEH5152COMP
17	1	Wireless Transmitter or Receiver	—
18	1	Receive Antenna	—
19	2	1/4 Amp, Slow Blow, 3AG Fuse	FUS1/4SB
A	8	Screw, 1/4-20 x 1/2-inch	ZH1/4-20X.500CH
B	12	Split Lock Washer, 1/4-inch	ZH1/4LWSSL
C	12	Flat Washer	ZH260X562X65C
D	4	Bolt, 1/4-20 x 5/8-inch	ZH1/420X.625CH
E	4	1/4-20 Nut	ZH1/4-20NUTCH
F	6	Screw, 10-32 x 1/2-inch, Pan Head, Phillips	ZH10-32X.500SPP
G	6	Internal Tooth Lock Washer, #10	ZH10LWSIS
H	6	Flat Washer, #10	ZH204X436X60C
I	2	Screw, 8-32 x 1/2-inch, Flat Head, Phillips	ZH8-32X.500SFS
J	4	8-32 Nut	ZH8-32NUTSH
K	10	Screw, 6-32 x 3/8-inch, Pan Head, Phillips	ZH6-32X.375SPP
L	12	Internal Tooth Lock Washer, #6	ZH6LWSIS
M	8	Flat Washer, #6	ZH148X375X32C
N	4	6-32 Nut	ZH6-32NUTSH
O	2	Screw, 6-32 x 1/2-inch, Pan Head, Phillips	ZH6-32X.500SPP
P	4	Screw, 4-40 x 1/4-inch, Pan Head, Phillips	ZH4-40X.250SPP
Q	4	Internal Tooth Lock Washer, #4	ZH4LWSIS

7.0 WIRING DIAGRAM

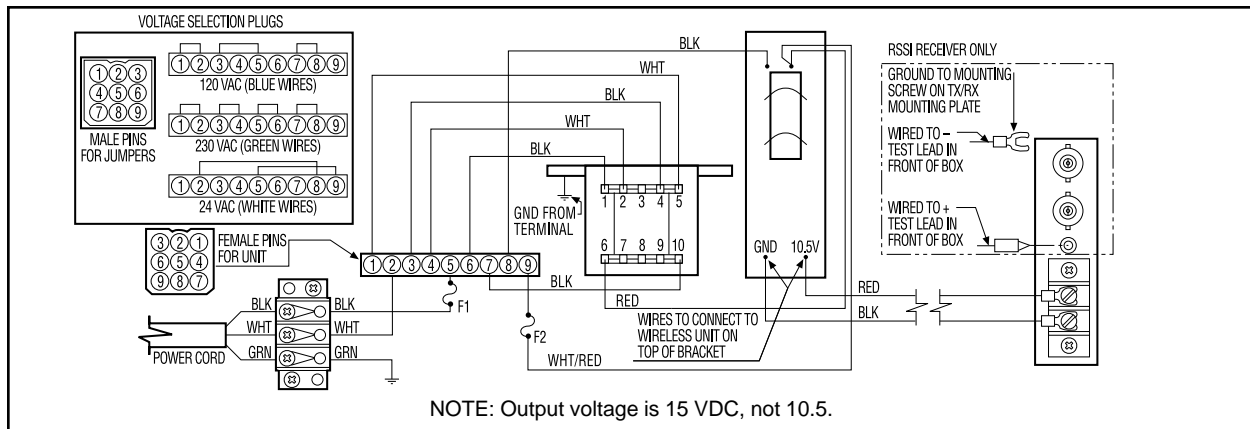


Figure 2. WLVEH Outdoor Enclosure Wiring Diagram

8.0 WARRANTY AND RETURN INFORMATION

WARRANTY

Pelco will repair or replace, without charge, any merchandise proved defective in material or workmanship for a period of one (1) year after the date of shipment. Exceptions to this warranty are as noted below:

- Two (2) years on all standard motorized and fixed focal length lenses.
- Two (2) years on Legacy®, Intercept®, CM8500/CM9500/CM9750 Matrix, and DF8 Fixed Dome products.
- Two (2) years on WW5700 series window wiper (excluding wiper blades).
- Two (2) years on cameras.
- Six (6) months on all pan and tilts, scanners or preset lenses used in continuous motion applications (e.g., preset scan, tour and auto scan modes).

Pelco will warranty all replacement parts and repairs for 90 days from the date of shipment. All goods for warranty work shall be sent freight prepaid to our Clovis, California facility. Repairs made necessary by reason of misuse, alteration, normal wear, or accident are not covered under this warranty. Pelco is not liable for any incidental or consequential expenses or liability incurred by the customer as a result of field repair, installation, or any other reason.

The above warranty is in lieu of any other expressed or implied warranty, condition, or guarantee by Pelco of the equipment listed herein. Pelco makes no warranties except for intended use and will not be liable for any loss, damage, or costs arising, whether consequential or incidental, from the use of said merchandise.

This warranty gives you specific legal rights. You may also have additional rights, which are subject to variation from state to state.

If a warranty repair is required, contact Pelco at **(800) 289-9100** or **(209) 292-1981** for a Repair Authorization number (RA), and provide the following information:

1. Model and serial number
2. Date of shipment, P.O. number, Sales Order number, or Pelco invoice number
3. Details of the defect or problem

If there is a dispute regarding the warranty of a product which does not fall under the warranty conditions stated above, please include a written explanation with the product when returned.

Ship freight prepaid to: Pelco
300 West Pontiac Way
Clovis, CA 93612-5699

Method of return shipment shall be the same as method by which the repair item is received by Pelco.

RETURNS

In order to expedite parts returned to the factory for repair or credit, please call the factory at **(800) 289-9100** or **(209) 292-1981** to obtain an authorization number (CA number if returned for credit, and RA number if returned for repair). Goods returned for repair or credit should be clearly identified with the assigned CA/RA number and freight should be prepaid. All merchandise returned for credit may be subject to a 20% restocking and refurbishing charge.

Ship freight prepaid to: Pelco
300 West Pontiac Way
Clovis, CA 93612-5699

Free Manuals Download Website

<http://myh66.com>

<http://usermanuals.us>

<http://www.somanuals.com>

<http://www.4manuals.cc>

<http://www.manual-lib.com>

<http://www.404manual.com>

<http://www.luxmanual.com>

<http://aubethermostatmanual.com>

Golf course search by state

<http://golfingnear.com>

Email search by domain

<http://emailbydomain.com>

Auto manuals search

<http://auto.somanuals.com>

TV manuals search

<http://tv.somanuals.com>