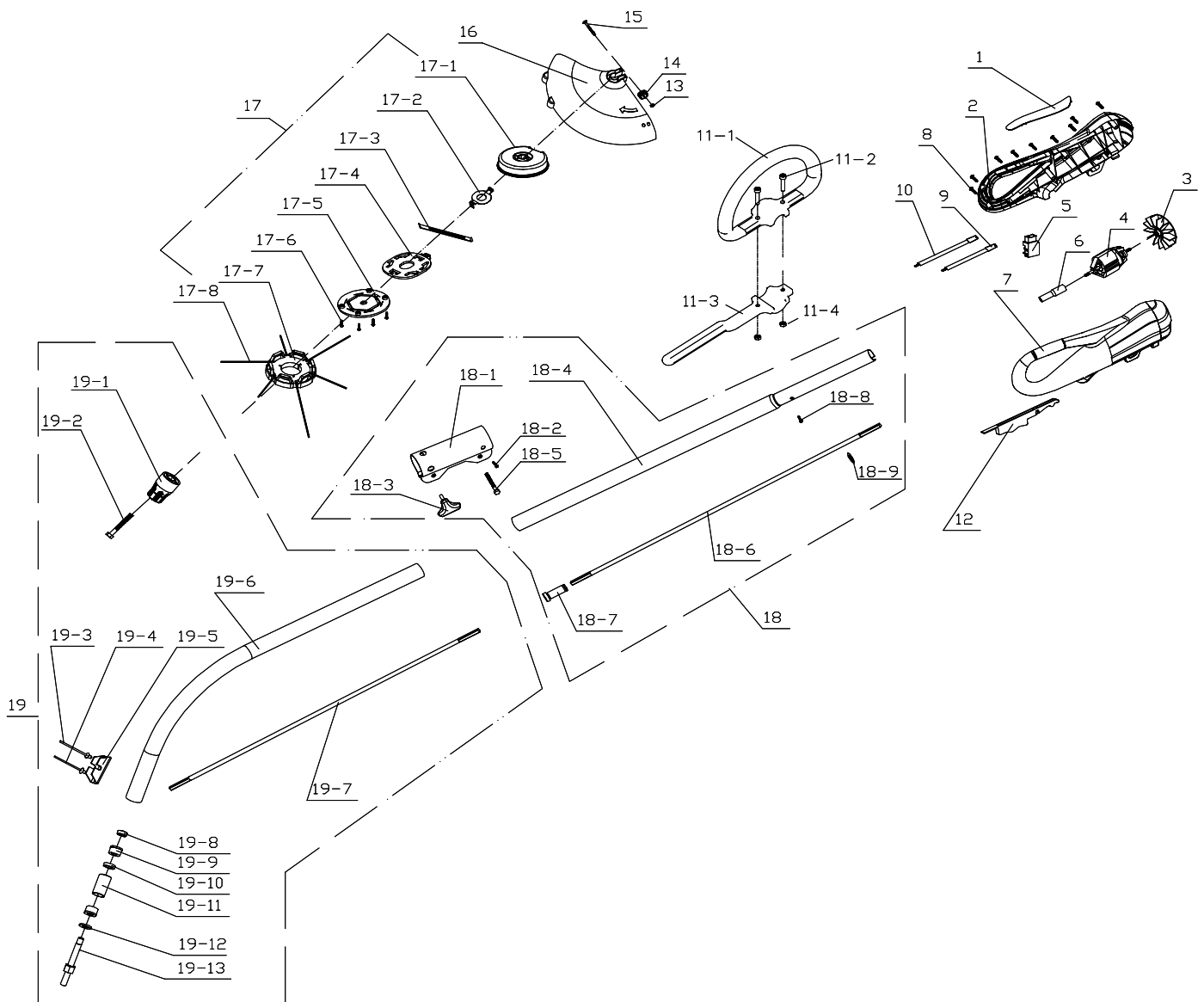




SERVICE SPARE PARTS LIST

SPECIFY MODEL NO. WHEN ORDERING PARTS		DATE	
15" STRING TRIMMER		2/14/2007	REVISED DATE
MODEL NO.	MCT2303A		N/A





SERVICE SPARE PARTS LIST

SPECIFY MODEL NO. WHEN ORDERING PARTS		DATE	REVISED DATE
15" STRING TRIMMER		2/14/2007	
MODEL NO.	MCT2303A	N/A	

No.	STK CODE	Parts No.	Description	Q	No.	STK CODE	Parts No.	Description	Q
1		6003-230301	READ HOUSING	1	17-7		6008-230301	SPOOL CARRIER	1
2		6038-230301	HOUSING (R)	1	17-8		6194-202001	CUTTING LINE	1
3		6169-230301	FAN	1	18		6228-230310	BAG BEHIND ASS'Y	1
4		6099-230301	MOTOR	1	18-1		9081-332101	CONNECTOR	1
5		6022-230301	SWITCH	1	18-2		6SDAB-05-08	SCREW	1
6		6228-230304	CONNECTING HEAD ASS'Y	1	18-3		9056-332101	KNOB	1
7		6038-230302	HOUSING (L)	1	18-4		6228-230312	BAG BEHIND	1
8		6SDABB4.5-18	SCREW	9	18-5		6SXDB-06-16	SCREW	1
9		6010-230301	WIRE	1	18-6		9111-332102	BACK SHAFT FLEX	1
10		6010-230302	WIRE	1	18-7		9042-332101	CONNECTOR	1
11		9228-330336	HANDLE ASS'Y	1	18-8		6SDAB-05-12	SCREW	1
11-1		9068-330305	HANDLE	1	18-9		9189-332101	GEAR SPRING	1
11-2		9SKKBY10/24-1	SCREW	2	19		6228-230311	BAG FRONT ASS'Y	1
11-3		9068-330306	HANDLE	1	19-1		6035-230301	LOCK NUT	1
11-4		9NAC-10/24	NUT	2	19-2		6SXDB-06-30	SCREW	1
12		6028-230302	TRIGGER	1	19-3		6RZ04-08S	RIVET	1
13		6NAB-06	NUT	1	19-4		6RZ04-06	RIVET	1
14		6056-230302	KNOB	1	19-5		6005-230301	KEEPER	1
15		6SXDB-06-60	SCREW	1	19-6		9228-A10102	BAG FRONT	1
16		6262-230303	GUARD	1	19-7		9111-A10101	SHAFT FLEX ASS'Y	1
17		6228-230303	CUTTING LINE ASS'Y	1	19-8		6131-230302	STEEL RING	1
17-1		6064-230301	CUP	1	19-9		9148-230301	BEARING	1
17-2		6079-230302	SPRING	1	19-10		6157-230301	FELT	1
17-3		6079-230301	SPRING	1	19-11		9087-A10101	SOCKET	1
17-4		6056-230301	PUSH BUTTON	1	19-12		6014-633501	WASHER	1
17-5		6158-230301	REX HEAD COVER	1	19-13		6124-230303	CONNECTING HEAD	1
17-6		6SDABB04-16	SCREW	4					

Stocking Codes are:

A - Dealer stocked

B - Distributor stocked

C - Factory stocked

Free Manuals Download Website

<http://myh66.com>

<http://usermanuals.us>

<http://www.somanuals.com>

<http://www.4manuals.cc>

<http://www.manual-lib.com>

<http://www.404manual.com>

<http://www.luxmanual.com>

<http://aubethermostatmanual.com>

Golf course search by state

<http://golfingnear.com>

Email search by domain

<http://emailbydomain.com>

Auto manuals search

<http://auto.somanuals.com>

TV manuals search

<http://tv.somanuals.com>