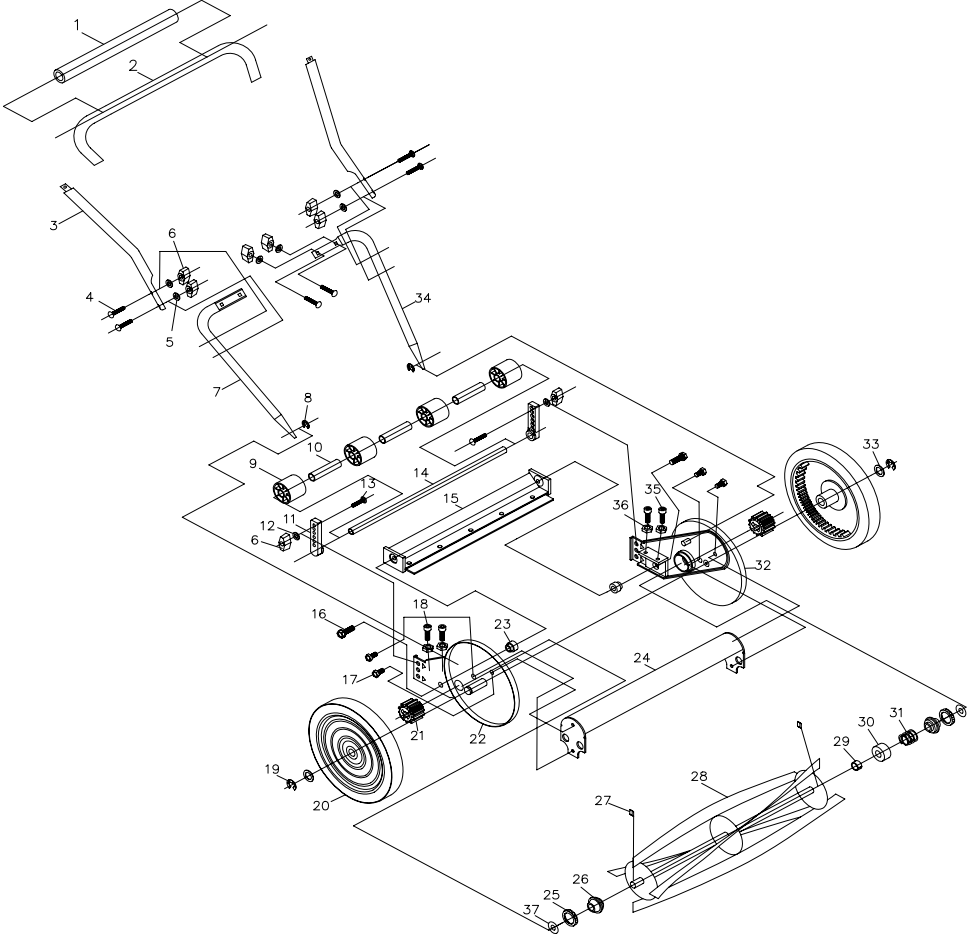




SERVICE SPARE PARTS LIST

SPECIFY MODEL NO. WHEN ORDERING PARTS		DATE	REVISED DATE
16" Reel Mower		6/6/2007	6/6/2007
MODEL NO.	MCM2011		V2



16" Reel Mower MCM2011

PARTS LIST

6/2/2009

No.	Parts No.	Description	Q	P Code
1	6199-201001	FOAM-RUBBER COVER	1	160
2	6068-201006	UPPER HANDLE	1	160
3	6068-201007	MIDDLE HANDLE	2	160
4	6SHDB-06-35	SQUARE SCREW	6	160
5	6WFE-06	FLAT WASHER	8	160
6	6134-201001	KNOB	8	160
7	6068-201004	LOWER HANDLE A	1	160
8	6CE-09	E CLIP	2	160
9	6122-201001	ROLLER WHEEL	5	160
10	6059-201101	TUBE	4	160
11	6021-201002	HEIGHT ADJUSTMENT BRACKET	2	160
12	6043-201001	HEIGHT ADJUSTMENT FIXED WASHER	2	160
13	6SHDB-06-30	SQUARE SCREW	2	160
14	6111-201101	SHAFT	1	160
15	6250-201101	CUTTER	1	160
16	6SFDZ-3/8-30	HEX SCREW	2	160
17	6SXAB-5/16-15	HEX SCREW	4	160
18	6SRCB-5/16-30	HEX SCREW	2	160
19	6CE-13	E CLIP	2	160
20	6122-201002	METAL WHEEL	2	160
21	6073-201001	GEAR	2	160
22	6004-201005	BRACKET (L)	1	160
23	6059-201002	FIXED TUBE	2	160
24	6017-201101	COVER	1	160
25	6155-201001	BEARING	2	160
26	6130-201001	SHAFT HOLDER	2	160
27	6115-201001	PIN	2	160
28	6250-201102	CUTTER	1	160
29	6131-201001	IRON RING	1	160
30	6198-201001	SPRING COVER	1	160
31	6024-201001	SPRING	1	160
32	6004-201006	BRACKET (R)	1	160
33	6WFZ-16	WASHER	2	160

34	6068-201005	LOW HANDLE B	1	160
35	6SRCB-5/16-25	HEX SCREW	2	160
36	6NAZ-5/16	NUT	4	160
37	6014-201001	WASHER	2	160

Free Manuals Download Website

<http://myh66.com>

<http://usermanuals.us>

<http://www.somanuals.com>

<http://www.4manuals.cc>

<http://www.manual-lib.com>

<http://www.404manual.com>

<http://www.luxmanual.com>

<http://aubethermostatmanual.com>

Golf course search by state

<http://golfingnear.com>

Email search by domain

<http://emailbydomain.com>

Auto manuals search

<http://auto.somanuals.com>

TV manuals search

<http://tv.somanuals.com>