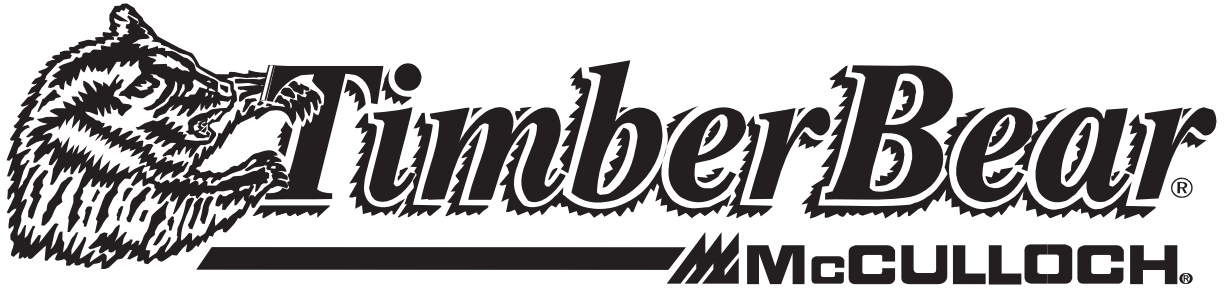


McCULLOCH®



USER MANUAL

Gasoline Chain Saws

Model : TM502

SAFETY
OPERATION
MAINTENANCE



This product has been tested at a computed kickback angle (CKA) and conforms to ANSI B175.1-2000, Annex C. CAN/CSA-Z62.1-03

WARNING • PLEASE READ

Beware of kickback. Hold chain saw firmly with both hands when using. For your own safety, please read and follow the safety precautions in this manual before attempting to operate your chain saw. Improper use can cause serious injury.

PN 9096-31C206

Printed in Taiwan

INTRODUCTION

PLEASE READ

Dear Customer,

Thank you for purchasing a McCulloch product. With proper operation and maintenance, it will provide you with years of service.

In order to make the best use of your investment, be **CERTAIN** to familiarize yourself with the contents of the **ENTIRE** user manual before attempting to operate and maintain your unit.

Be sure to carefully follow the step-by-step instructions in this manual to start, operate and maintain your new product.

In the manual there will be the following call-outs: **NOTE**:, **WARNING / CAUTION** and **WARRANTY**.

A **NOTE**: is used to convey additional information, to highlight a particular explanation, or to expand a step description.

A **WARNING** or **CAUTION** identifies a procedure which, if not undertaken or if improperly done, can result in serious personal injury and/or damage to the unit.

The **W** (**WARRANTY SYMBOL**) serves notice that unless instructions or procedures are followed, any damage caused will void the warranty and repairs will be at owner's expense.

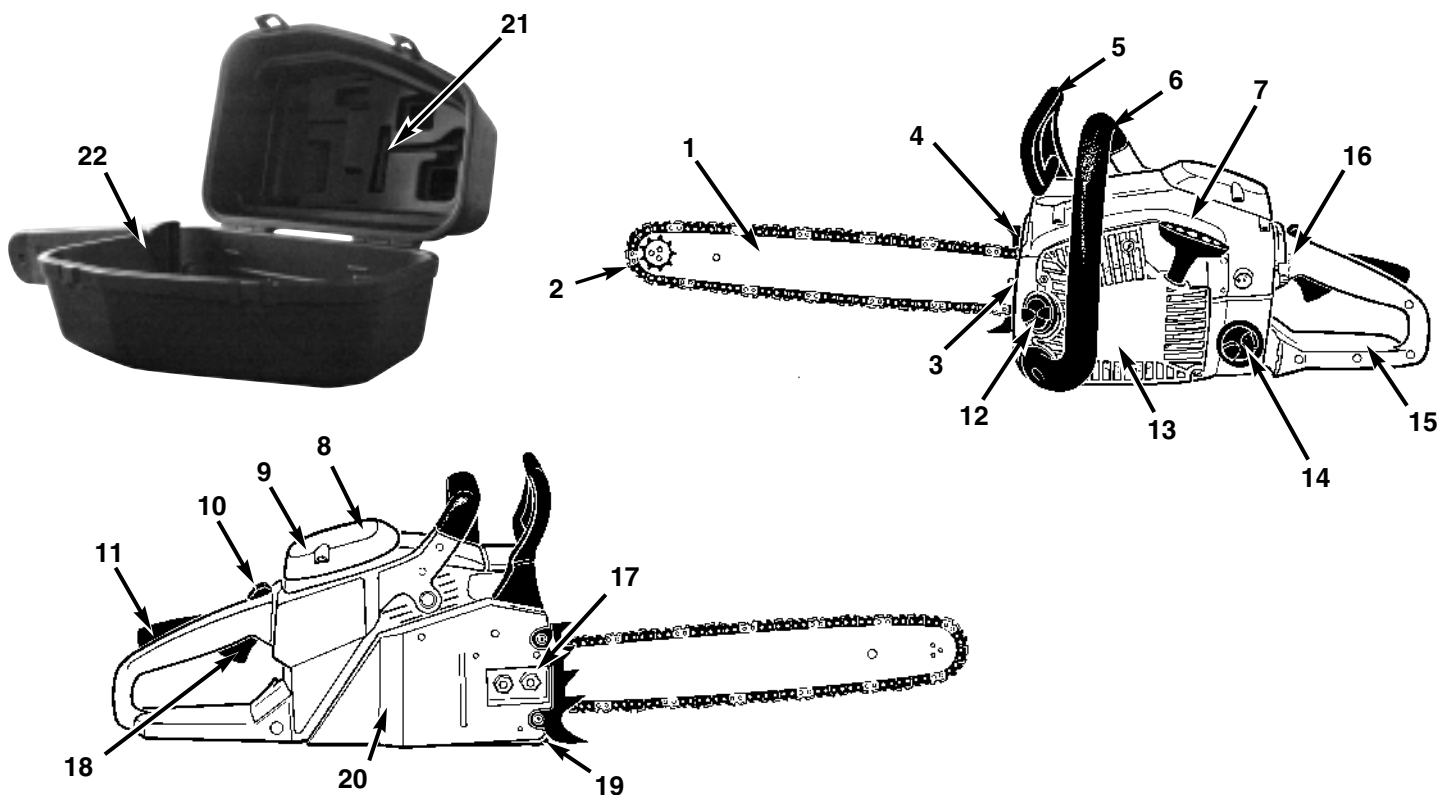
Pay particular attention to the safety precautions. They are written for your protection and contain important information you must know to safely operate your chain saw.

FOR WARRANTY OR SERVICE CONTACT THE NEAREST AUTHORIZED SERVICE CENTER - LOCATE YOUR NEAREST SERVICE CENTER BY CALLING THE TOLL FREE NUMBER IN THIS MANUAL.

TABLE OF CONTENTS

1	GENERAL INFORMATION	3
	1-1. General Identification	
	1-2. Safety Features	
2	SAFETY PRECAUTIONS	4
	2-1. Kickback Safety Precautions	
	2-2. Other Safety Precautions	
	2-3. General Safety Precautions for chain saw users	
	2-4. More About Kickback	
	2-5. Kickback safety Labels	
	2-6. International Symbols	
3	REMOVING & INSTALLING BAR & CHAIN	7
	3-1. Bar & Chain Removal and Installation	
	3-2. Before starting your saw	
	3-3. Guide Bar/Saw Chain/Clutch Cover Removal or Installation	
	3-4. Saw Chain Tension Adjustment	
	3-5. CHAIN BRAKE [®] Mechanical Test	
4	FUEL AND LUBRICATION	10
	4-1. Fuel	
	4-2. Mixing Fuel	
	4-3. Fuel and Lubrication Symbols	
	Fuel Mixing Table	
	4-4. Recommended Fuels	
	4-5. Chain and Bar Lubrication	
5	OPERATING INSTRUCTIONS	11
	5-1. Engine Pre-Start Checks	
	5-2. To Start Engine	
	5-3. Re-Starting a Warm Engine	
	5-4. To Stop Engine	
	5-5. CHAIN BRAKE [®] Operational Test	
	5-6. Saw Chain / Bar Lubrication	
	5-7. Automatic Oiler	
6	GENERAL CUTTING INSTRUCTIONS	13
	6-1. Felling	
	6-2. Limbing	
	6-3. Bucking	
	6-4. Bucking Using a Sawhorse	
7	MAINTENANCE INSTRUCTIONS	15
	7-1. Preventive Maintenance	
	7-2. Air Filter	
	7-3. Fuel Filter	
	7-4. Spark Arrester Screen	
	7-5. Spark Plug	
	7-6. Carburetor Adjustment	
	7-7. Storing a Chain Saw	
	7-8. Removing a Unit From Storage	
8	BAR / CHAIN MAINTENANCE	18
	8-1. Guide Bar Maintenance	
	8-2. Chain Maintenance	
	8-3. Chain Replacement Information	
9	TROUBLESHOOTING THE ENGINE	20
10	PART LIST	63

1 - GENERAL INFORMATION



1-1. GENERAL IDENTIFICATION

1. GUIDE BAR
2. SAW CHAIN
3. SAW CHAIN ADJUSTMENT SCREW
4. SPARK ARRESTER SCREEN
5. CHAIN BRAKE® LEVER / HAND GUARD
6. FRONT HANDLE
7. STARTER HANDLE
8. SPARK PLUG
9. AIR CLEANER COVER
10. STOP SWITCH
11. SAFETY TRIGGER
12. OIL TANK CAP
13. STARTER COVER
14. FUEL TANK CAP
15. REAR HANDLE / BOOT LOOP
16. CHOKE LEVER
17. BAR RETAINING NUTS
18. THROTTLE / TRIGGER
19. CHAIN CATCHER
20. CHAIN BRAKE® COVER
21. SCREWDRIVER / WRENCH
22. CARRY CASE (Available on some models)

NOTE: Study your saw and be familiar with its parts.

1-2. SAFETY FEATURES

Numbers preceding the descriptions correspond with the numbers on preceding page to help you locate the safety feature.

- 2 LOW KICKBACK SAW CHAIN** helps significantly reduce kickback, or the intensity of kickback, due to specially designed depth gauges and guard links.
- 4 SPARK ARRESTER SCREEN** retains carbon and other flammable particles over 0.023 inches (0.6mm) in size from engine exhaust flow. Compliance with local, state and federal laws and/or regulations governing the use of a spark arrester screen is the user's responsibility. See Safety Precautions for additional information.
- 5 CHAIN BRAKE® LEVER / HAND GUARD** protects the operator's left hand in the event it slips off the front handle while saw is running.
- 5 CHAIN BRAKE®** is a safety feature designed to reduce the possibility of injury due to kickback by stopping a moving saw chain in milliseconds. It is activated by the CHAIN BRAKE® lever.
- 10 STOP SWITCH** immediately stops the engine when tripped. Stop switch must be pushed to ON position to start or restart engine.
- 11 SAFETY TRIGGER** prevents accidental acceleration of the engine. Throttle trigger (19) cannot be squeezed unless the safety latch is depressed.
- 19 CHAIN CATCHER** reduces the danger of injury in the event saw chain breaks or derails during operation. The chain catcher is designed to intercept a whipping chain.

2 - SAFETY PRECAUTIONS

SAFETY PRECAUTIONS FOR CHAIN SAW USERS (ANSI B175.1-2000, Annex C. CAN/CSA-Z62.1-03)

2-1. KICKBACK SAFETY PRECAUTIONS WARNING

Kickback may occur when the nose or tip of the guide bar touches an object, or when the wood closes in and pinches the saw chain in the cut. If bar tip makes contact with something it may cause a lightning-fast reverse reaction, kicking the guide bar up and back towards the operator. Pinching the saw chain along the top of the guide bar may push the guide bar rapidly back towards the operator. Either of these reactions may cause you to lose control of the saw, which could result in serious personal injury. Do not rely exclusively upon the safety devices built into your saw. As a chain saw user, you should take several steps to keep your cutting jobs free from accident or injury.

1. With a basic understanding of kickback, you can reduce or eliminate the element of surprise. Sudden surprise contributes to accidents.
2. Keep a good firm grip on the saw with both hands, the right hand on the rear handle, and the left hand on the front handle, when the engine is running. Use a firm grip with thumbs and fingers encircling the chain saw handles. A firm grip will help you reduce kickback and maintain control of the saw. Don't let go.
3. Make sure that the area in which you are cutting is free from obstructions. Do not let the nose of the guide bar contact a log, branch, or any other obstruction which could be hit while you are operating the saw.
4. Cut at high engine speeds.
5. Do not overreach or cut above shoulder height.
6. Follow manufacturer's sharpening and maintenance instructions for the saw chain.
7. Only use replacement bars and chains specified by the manufacturer or the equivalent.

NOTE: Low-kickback saw chain is chain that has met the kickback performance requirements of ANSI B175.1-2000 (American National Standard for Power Tools Gasoline-Powered Chain Saws Safety Requirements) when tested on the representative sample of chain saws below 3.8 c.i.d. specified in ANSI B175.1-2000.

2-2. OTHER SAFETY PRECAUTIONS

1. DO NOT operate a chain saw with one hand! Serious injury to the operator, helpers, bystanders, or any combination of these persons may result from one-handed operation. A chain saw is intended for two-handed use.
2. DO NOT operate a chain saw when you are fatigued.
3. Use safety footwear, snug-fitting clothing, protective gloves, and eye, hearing and head protection devices.

4. Use caution when handling fuel. Move the chain saw at least 9.1m (30 feet) from the fueling point before starting the engine.
5. DO NOT allow other persons to be near when starting or cutting with the chain saw. Keep bystanders and animals out of the work area.
6. DO NOT start cutting until you have a clear work area, secure footing, and a planned retreat path from the falling tree.
7. Keep all parts of your body away from the saw chain when the engine is running.
8. Before you start the engine, make sure that the saw chain is not contacting anything.
9. Carry the chain saw with the engine stopped, the guide bar and saw chain to the rear, and the muffler away from your body.
10. DO NOT operate a chain saw that is damaged, improperly adjusted, or not completely and securely assembled. Be sure that the saw chain stops moving when the throttle control trigger is released.
11. Shut off the engine before setting the chain saw down.
12. Use extreme caution when cutting small size brush and saplings because slender material may catch the saw chain and be whipped toward you or pull you off balance.
13. When cutting a limb that is under tension, be alert for springback so that you will not be struck when the tension in the wood fibers is released.
14. Keep the handles dry, clean, and free of oil or fuel mixture.
15. Operate the chain saw only in well-ventilated areas.
16. DO NOT operate a chain saw in a tree unless you have been specifically trained to do so.
17. All chain saw service, other than the items listed in the user manual safety and maintenance instructions, should be performed by competent chain saw service personnel.
18. When transporting your chain saw, use the appropriate guide bar scabbard.
19. DO NOT operate your chain saw near or around flammable liquids or gases whether in or out of doors. An explosion and/or fire may result.
20. USE THE RIGHT TOOL: Cut wood only. Do not use the chain saw for purposes for which it was not intended. For example, do not use the chain saw for cutting plastic, masonry, or non-building materials.
21. Do not attempt to add fuel or lubricating oil to saw while engine is running.

2 - SAFETY PRECAUTIONS

NOTE: These safety precautions are intended primarily for the consumer or occasional user. When using a chain saw for logging purposes, refer to the Code of Federal Regulations, Section 1910.226(5); 2.5.1., of American National Standard Safety Requirements for Pulpwood Logging, ANSI 03.1-1978; and relevant state safety codes. These models are classified according to CAN/ CSA-Z62.1-03 as a Class 1C saw. They are intended for infrequent use by homeowners, cottagers, and campers, and for such general applications as clearing, pruning, cutting firewood, etc. They are not intended for prolonged use. If the intended use involves prolonged periods of operation, this may cause circulatory problems in the user's hands due to vibration. All models covered in this manual employ an anti-vibration feature for increased comfort and safety.

2-3. GENERAL SAFETY PRECAUTIONS FOR CHAIN SAW USERS

1. Fatigue causes carelessness. Be more cautious before rest periods and towards the end of your shift.
2. Personal protective clothing required by your safety organizations, government regulations, or your employer should be used. At all times when using a chain saw, snug-fitting clothing, protective eye wear, safety footwear, and hand, leg, and hearing protection should be worn.
3. Before refueling, servicing, or transporting your chain saw, switch off the engine. To help prevent fire, restart your chain saw at least 9.1m (30ft) from the fuelling area.
4. When a chain saw is being used, a fire extinguisher should be available.
5. When felling, keep at least 2 tree lengths away from your fellow workers.
6. Plan your work, ensuring an obstacle-free work area and, in the case of felling, at least one escape path from the falling tree.
7. Follow the instructions in your operator's manual for starting the chain saw and control the chain saw with a firm grip on both handles when it is in operation. Keep handles dry, clean, and free of oil.
8. When transporting your chain saw, use the appropriate transportation covers, which should be available for the guide bar and saw chain.
9. Never operate a chain saw that is damaged or improperly adjusted or that is not completely and securely assembled. Be sure that the saw chain stops moving when the power control system trigger is released. Never adjust the guide bar or saw chain when the engine is operating.
10. Beware of carbon monoxide poisoning. Operate the chain saw in well-ventilated areas only.
11. Do not attempt a pruning or limbing operation in a standing tree unless specifically trained to do so.
12. Guard against kickback. Kickback is the upward motion of the guide bar that occurs when the saw chain, at the nose of the guide bar, contacts an object.

Kickback can lead to dangerous loss of control of the chain saw.

13. A chain saw is intended for two-handed use. Serious injury to the operator, helpers, and/or bystanders can result from one-handed operation.
14. See section 2-5, 2-6 for symbol definitions, page 5.
15. When carrying a chain saw with the engine running, engage the chain brake.
16. Allow your chain saw to cool before refueling, and do not smoke.
17. Keep other persons or animals a safe distance away from a running chain saw or the area where a tree is being felled.
18. Use extreme caution when cutting small brush and saplings because slender material can catch the saw chain and be whipped toward you.
19. When cutting a limb that is under tension or compression, be alert for springback.
20. This gas-powered saw is classified according to CAN/ CSA-Z62.1-03 as a Class 1C saw. It is intended for infrequent use by homeowners, cottagers, and campers, and for such general applications as clearing, pruning, cutting firewood, etc. It is not intended for prolonged use. Prolonged periods of operation can cause circulatory problems in the user's hands due to vibration. For such use, it may be appropriate to use a saw having an anti-vibration feature.

2-4. MORE ABOUT KICKBACK WARNING

DANGER! BEWARE OF KICKBACK!

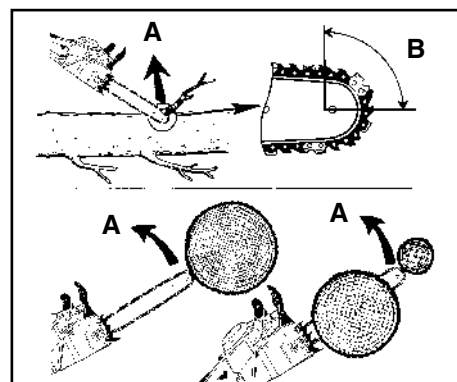
Kickback can lead to dangerous loss of control of the chain saw and result in serious or fatal injury to the saw operator or to anyone standing close by. Always be alert. Rotational kickback and pinch-kickback are major chain saw operational dangers and the leading cause of most accidents.

BEWARE OF:

ROTATIONAL KICKBACK (Figure 2-4A)

A = Kickback path

B = Kickback reaction zone



2-4A

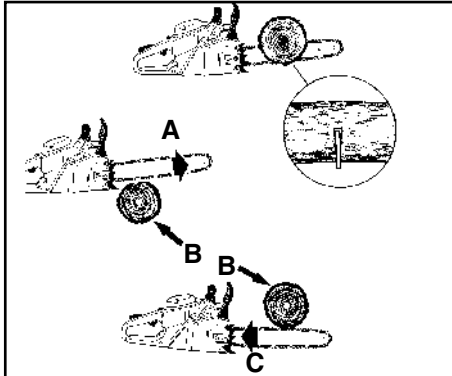
2 - SAFETY PRECAUTIONS

THE PUSH (PINCH-KICKBACK) AND PULL REACTIONS (Figure 2-4B)

A = Pull

B = Solid objects

C = Push



2-4B

KICKBACK may occur when the NOSE or TIP of the guide bar touches an object, or when wood closes in and pinches the saw chain in the cut.

Tip contact in some cases may cause a lightning-fast reverse reaction, kicking the guide bar up and back toward the operator.

PINCHING the saw chain along the BOTTOM of the guide bar may PULL the saw forward away from the operator. PINCHING the saw chain along the TOP of the guide bar may PUSH the guide bar rapidly back toward the operator. Any of these reactions may cause you to lose control of the saw, which could result in serious personal injury.



WARNING



The engine exhaust from this product contains chemicals known to the State of California to cause cancer, birth defects, or other reproductive harm.

2-5. KICKBACK SAFETY LABELS

Your McCulloch Chain Saw is provided with a safety label located on the chain brake lever. This label, along with the safety instructions on these pages, should be carefully read before attempting to operate this unit.

HOW TO READ SYMBOLS AND COLORS:

RED WARNING

Used to warn that an unsafe procedure should not be performed.

GREEN RECOMMENDED

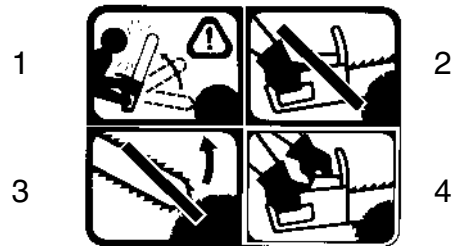
Recommended cutting procedures.

WARNING (Figure 2-5A)

1. Beware of kickback.
2. Do not attempt to hold saw with one hand.
3. Avoid bar nose contact.

RECOMMENDED

4. Hold saw properly with both hands.



2-5A

2-6. INTERNATIONAL SYMBOLS



Read User Manual.



Wear head, eye and hearing protection.



Wear gloves to protect your hands.



Wear safety boots to protect against electric shock.

Use of these personal safety items is highly recommended to reduce the risk of accidental injury.

3 - REMOVING & INSTALLING BAR & CHAIN

3-1. BAR & CHAIN REMOVAL AND INSTALLATION

You will need these tools to work on your chain saw:

1. Combination wrench-screwdriver (contained in your user's kit or in lid of carry case).
2. Heavy duty work gloves (user supplied).

3-2. BEFORE STARTING YOUR SAW

Your new chain saw will require adjustment of chain, filling the fuel tank with correct fuel mixture and filling the oil tank with lubricating oil before the unit is ready for operation.

WARNING

DO NOT start saw engine until unit is properly prepared. Read the entire user manual before attempting to operate your unit. Pay particular attention to all safety precautions. Your user manual is both a reference guide and handbook provided to furnish you with general information to assemble, operate and maintain your saw.

3-3. GUIDE BAR / SAW CHAIN / CLUTCH COVER REMOVAL OR INSTALLATION

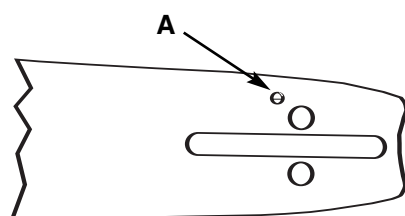
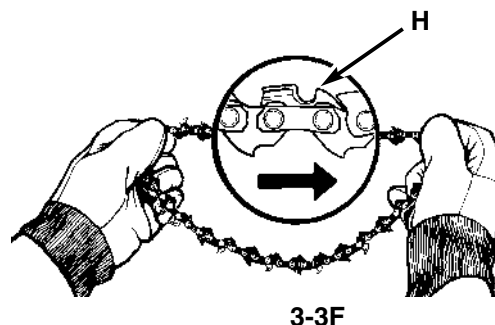
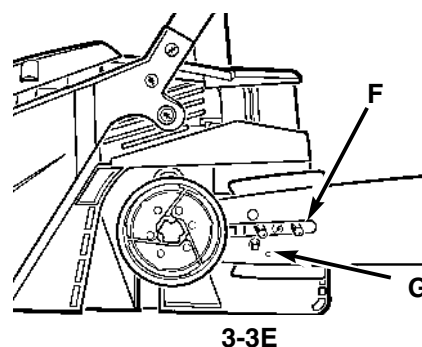
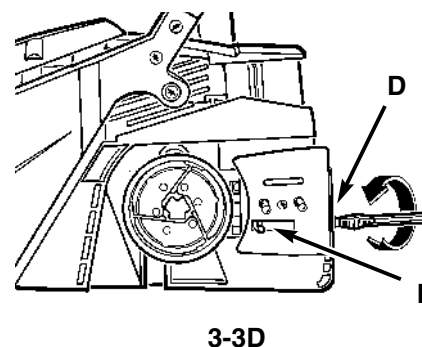
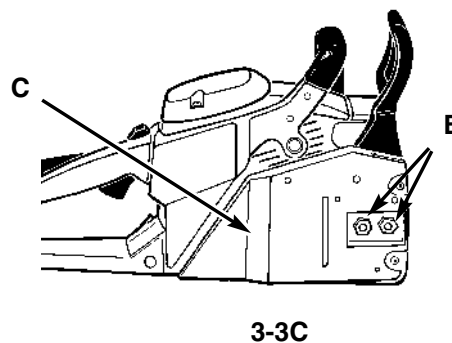
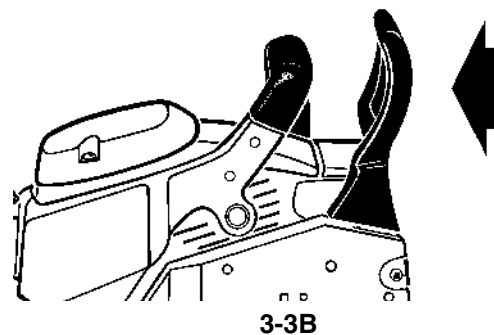
WARNING

Always wear protective gloves when handling chain.

CAUTION

To ensure the bar and chain receive oil, ONLY USE THE ORIGINAL STYLE BAR with the oil passage hole (A) as illustrated above (Figure 3-3A).

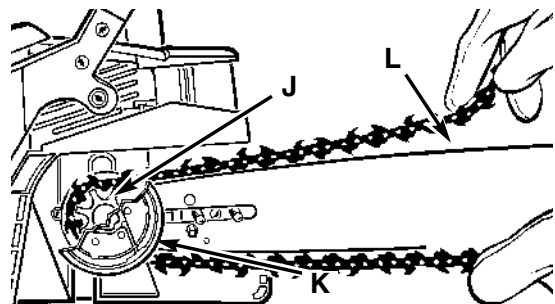
1. Make sure the CHAIN BRAKE® lever is pulled back into the DISENGAGED position (Figure 3-3B)
2. Remove the 2 bar retaining nuts (B). Remove the CHAIN BRAKE® cover (C) (Figure 3-3C). Remove outer guide bar plate (M). (Figure 3-3K)
3. Carefully remove chain & bar.
4. Using a screwdriver, run the adjustment screw (D) COUNTERCLOCKWISE until the TANG (E) (projecting prong) is to the end of its travel toward the clutch drum and sprocket (Figure 3-3D).
5. Place the slotted end of the guide bar over the 2 bar bolts (F). Position the bar so that the adjustment TANG fits into the lower hole (G) on the guide bar (Figure 3-3E).
6. Spread chain out in a loop with cutting edges (H) pointing CLOCKWISE around loop (Figure 3-3F).



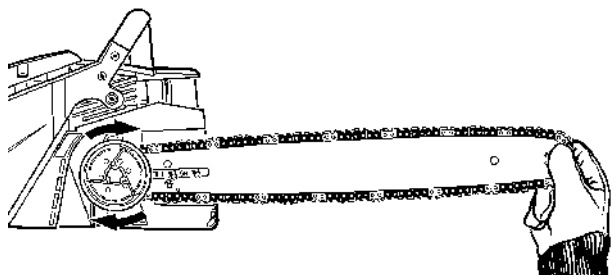
3 - REMOVING & INSTALLING BAR & CHAIN

7. Slip the chain around the sprocket (J) behind the clutch (K). Make sure the links fit between the sprocket teeth (Figure 3-3G).
8. Guide the drive links into the groove (L) and around the end of the bar (Figure 3-3G).
9. The chain will be tight so you will have to rotate the clutch clockwise by hand so the chain engages the bar sprocket (Figure 3-3H).
10. Inspect to insure that tang (E) is in the adjustment hole on the bar (Figure 3-3J).
11. Replace the outer guide bar plate (M) so the bent edges (top and bottom) are directed away from the chain (Figure 3-3K).
12. Install the CHAIN BRAKE® cover (Figure 3-3K). Make sure the chain does not slip off of the bar. Install the 2 nuts hand tight and follow tension adjustment instructions in Section 3-4.

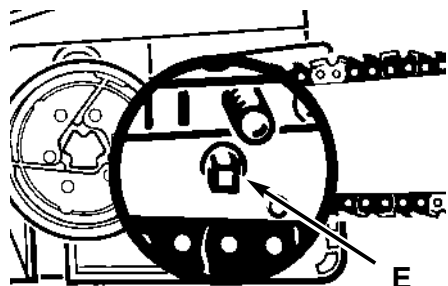
NOTE: The guide bar retaining nuts are installed only hand tight at this point because saw chain adjustment is required.



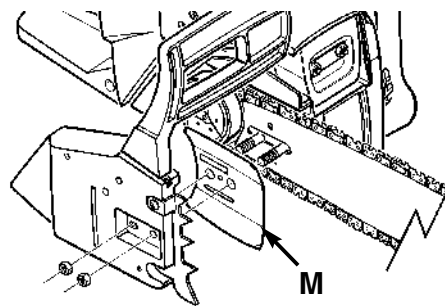
3-3G



3-3H



3-3J



3-3K

3-4. SAW CHAIN TENSION ADJUSTMENT

Proper tension of saw chain is extremely important and must be checked before starting, as well as during any cutting operation.

Taking the time to make needed adjustments to the saw chain will result in improved cutting performance and prolonged chain life.

CAUTION

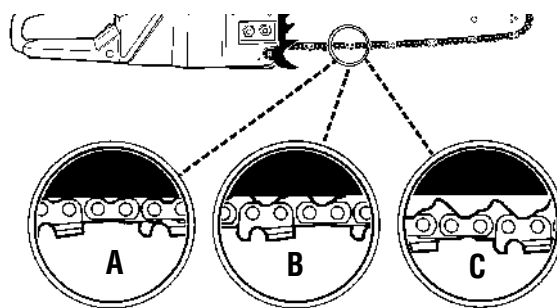
A new saw chain stretches, requiring adjustment after as few as 5 cuts. This is normal with a new chain, and the interval between future adjustments will lengthen quickly.

WARNING

Always wear heavy duty gloves when handling saw chain or making saw chain adjustments.

CAUTION W

If saw chain is TOO LOOSE or TOO TIGHT, the sprocket, bar, chain, and crankshaft bearings will wear more rapidly. Study Figure 3-4A for information concerning correct cold tension (A), correct warm tension (B), and as a guide for when saw chain needs adjustment (C).



3-4A

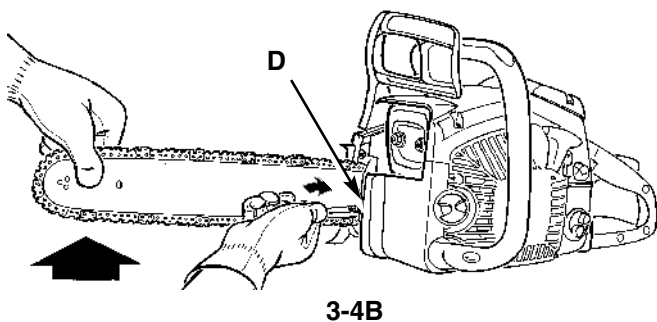
3 - REMOVING & INSTALLING BAR & CHAIN

TO ADJUST SAW CHAIN:

1. Loosen the bar retaining nuts (Figure 3-3C). Hold nose of guide bar up and turn adjustment screw (D) CLOCKWISE to increase chain tension. Turning screw COUNTERCLOCKWISE will decrease amount of tension on chain. Ensure the chain fits snugly all the way around the guide bar (Figure 3-4B).
2. After making adjustment, and while still holding nose of bar in the uppermost position, tighten the bar retaining nuts securely. Chain has proper tension when it has a snug fit all around and can be pulled around by gloved hand.

NOTE: If chain is difficult to rotate on guide bar or if it binds, too much tension has been applied. This requires minor adjustment as follows:

- A. Loosen the 2 bar retaining nuts so they are finger tight. Decrease tension by turning the bar adjustment screw COUNTERCLOCKWISE slowly. Move chain back and forth on bar. Continue to adjust until chain rotates freely, but fits snugly. Increase tension by turning bar adjustment screw CLOCKWISE.
- B. When saw chain has proper tension, hold nose of bar in the uppermost position and tighten the 2 bar retaining nuts securely.



3-5. CHAIN BRAKE® MECHANICAL TEST

Your chain saw is equipped with a CHAIN BRAKE® that reduces possibility of injury due to kickback. The brake is activated if pressure is applied against brake lever when, as in the event of kickback, operator's hand strikes the lever. When the brake is actuated, chain movement stops abruptly.

WARNING

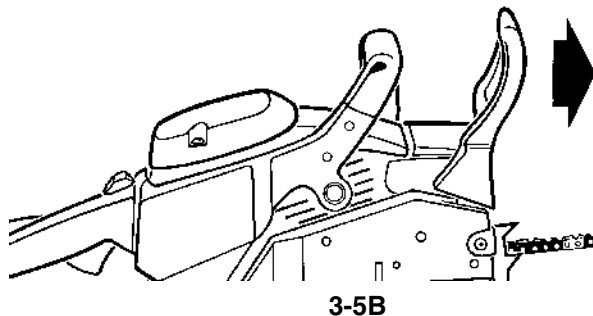
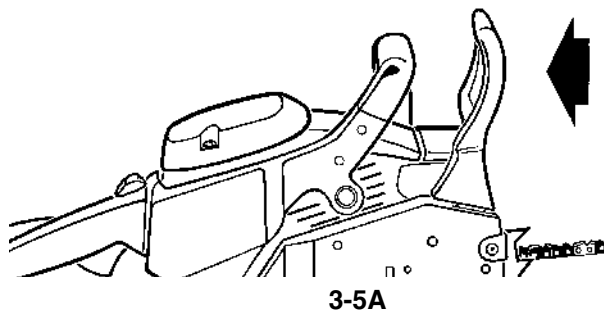
The purpose of the CHAIN BRAKE® is to reduce the possibility of injury due to kickback; however, it cannot provide the intended measure of protection if the saw is operated carelessly.

Always test the CHAIN BRAKE® before using your saw and periodically while on the job.

To Test CHAIN BRAKE®:

1. The CHAIN BRAKE® is DISENGAGED (chain can move) when BRAKE LEVER IS PULLED BACK AND LOCKED (Figure 3-5A).
2. The CHAIN BRAKE® is ENGAGED (chain is stopped) when brake lever is in forward position. You should not be able to move chain (Figure 3-5B).

NOTE: The brake lever should snap into both positions. If strong resistance is felt, or lever does not move into either position, do not use your saw. Take it immediately to an Authorized Service Center for repair.



4 - FUEL AND LUBRICATION

4-1. FUEL

Use regular grade unleaded gasoline mixed with Genuine Factory Parts 40:1 custom 2-cycle engine oil for best results. Use mixing ratios in Section 4-3.

W Never use straight gasoline in your unit. This will cause permanent engine damage and void the manufacturer's warranty for that product. Never use a fuel mixture that has been stored for over 90 days.

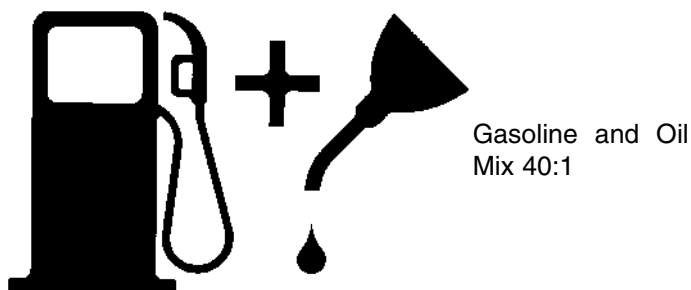
W If 2-cycle lubricant other than Genuine Factory Parts Custom Lubricant is to be used, it must be a premium grade oil for 2-cycle air cooled engines mixed at a 40:1 ratio. Do not use any 2-cycle oil product with a recommended mixing ratio of 100:1. If insufficient lubrication is the cause of engine damage, it voids the manufacturer's engine warranty for that occurrence.

4-2. MIXING FUEL

Mix fuel with Genuine Factory Parts brand 2 cycle oil in an approved container. Use mixing table for correct ratio of fuel to oil. Shake container to ensure thorough mix.

W Lack of lubrication voids engine warranty.

4-3. FUEL AND LUBRICATION SYMBOLS



FUEL MIXING TABLE

GASOLINE	McCulloch 40:1 Ratio Custom Lubricant	
	1 U.S. Gal.	3.2 oz.
5 Liters	4.3 oz.	125ml (cc)
1 Imp. Gal.	4.3 oz.	125ml (cc)
Mixing Procedure	40 Parts Gasoline to 1 Part Lubricant	
1ml = 1cc		

4-4. RECOMMENDED FUELS

Some conventional gasolines are being blended with oxygenates such as alcohol or an ether compound to meet clean air standards. Your McCulloch engine is designed to operate satisfactorily on any gasoline intended for automotive use including oxygenated gasolines.

4-5. CHAIN AND BAR LUBRICATION

Always refill the chain oil tank each time the fuel tank is refilled. We recommend using Genuine Factory Parts Chain, Bar and Sprocket Oil, which contains additives to reduce friction and wear and to assist in the prevention of pitch formation on the bar and chain.

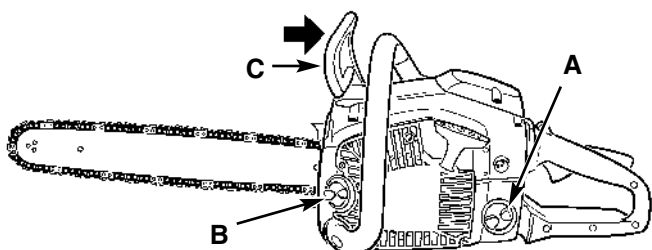
5 - OPERATING INSTRUCTIONS

5-1. ENGINE PRE-START CHECKS

WARNING

Never start or operate the saw unless the bar and chain are properly installed.

1. Fill the fuel tank (A) with correct fuel mixture (Figure 5-1A).
2. Fill the oil tank (B) with correct chain and bar oil (Figure 5-1A).
3. Be certain the CHAIN BRAKE® is disengaged (C) before starting unit (Figure 5-1A).



5-1A

5-2. TO START ENGINE

1. Slide the STOP switch down (Figure 5-2A).
2. Rotate the choke lever up to the horizontal position (Figure 5-2B).
3. Pump primer bulb 10 times (Figure 5-2C).
4. Pull starter rope 4-6 times, engine should start (Figure 5-2D).
5. If engine failed to start, rotate choke lever down to vertical position then repeat step 4 (Figure 5-2D).
6. When engine starts, warm up 10 sec. Then depress safety/throttle trigger. The automatic choke will disengage when trigger is pulled (Figure 5-2E).
7. Release throttle trigger for idle.

TO STOP: Slide stop switch up.

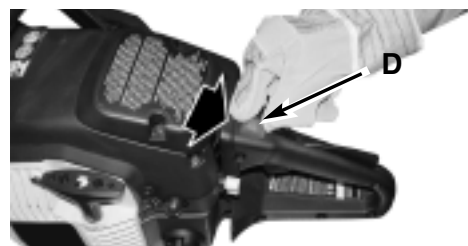
IMPORTANT IDLING INFORMATION

In some cases due to operating conditions (altitude, temperature etc.) your chain saw may need a slight adjustment to the idle speed.

After warm up - See the section 5-2, step 8 - If unit does not idle after restarting 2 times, follow these steps to adjust idle.

1. Idle adjustment access (A) - the symbol "T" (for throttle) is below the adjustment hole (Figure 5-2F).
2. Using a Phillips or slotted screwdriver - turn screw 1/4 to 1/2 turn clockwise (to the right). Unit should then idle properly (Figure 5-2G).

NOTE: If chain turns while idling - turn screw back to the left until chain stops and unit continues to idle.



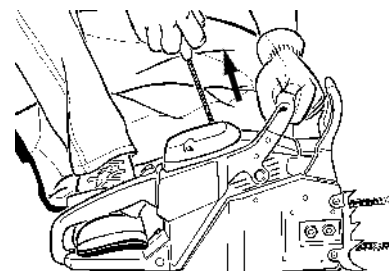
5-2A



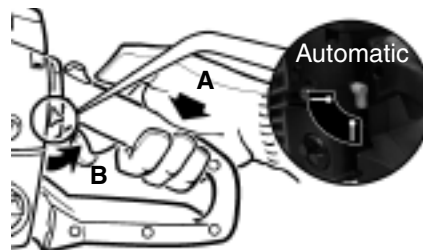
5-2B



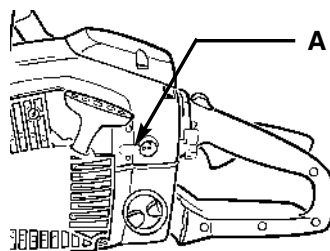
5-2C



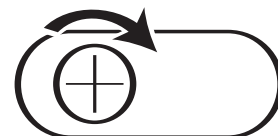
5-2D



5-2E



5-2F



5-2G

5 - OPERATING INSTRUCTIONS

5-3. RE-STARTING A WARM ENGINE (LESS THAN 10 MINUTES SINCE STOPPING)

1. Make sure the switch is in the ON position.
2. Move the choke lever to horizontal position.
3. Depress the primer bulb 10 times.
4. Pull the starter rope rapidly 4 times. The engine should start.
5. The automatic choke will disengage when trigger is pulled.
6. Release the throttle trigger for idle.

5-4. TO STOP ENGINE

1. Release trigger and allow engine to return to idle speed.
2. Move STOP switch up to stop engine.

NOTE: For emergency stopping, simply activate CHAIN BRAKE® and move STOP switch up.

INERTIA CHAIN BRAKE® ACTION :

NOTE: THIS SAW IS EQUIPPED WITH AN INERTIA CHAIN BRAKE. IF THE SAW KICKS BACK WHILE IN USE, THE INERTIA OF THE MOVING SAW WILL ACTIVATE THE BRAKE. A BRAKE BAND AROUND THE CLUTCH DRUM ACTIVATES AND STOPS THE MOVING CHAIN.

5-5. CHAIN BRAKE® OPERATIONAL TEST

Test the CHAIN BRAKE® periodically to ensure proper function.

Perform a CHAIN BRAKE® test prior to initial cutting, following extensive cutting, and definitely following any CHAIN BRAKE® service.

TEST CHAIN BRAKE® AS FOLLOWS:

1. Place saw on a clear, firm, flat surface.
2. Start engine.
3. Grasp the rear handle (A) with your right hand (Figure 5-5A).
4. With your left hand, hold the front handle (B) [not CHAIN BRAKE® lever (C)] firmly (Figure 5-5A).
5. Squeeze the throttle trigger to 1/3 throttle, then immediately activate the CHAIN BRAKE® lever (C) (Figure 5-5A).

WARNING

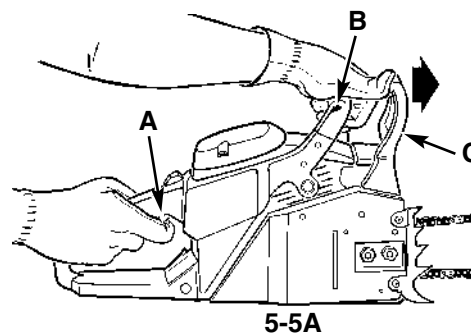
Activate the CHAIN BRAKE® slowly and deliberately. Keep the chain from touching anything; don't let the saw tip forward.

6. Chain should stop abruptly. When it does, immediately release the throttle/trigger.

WARNING

If chain does not stop, turn engine off and take your unit to the nearest Authorized Service Center for service.

7. If CHAIN BRAKE® functions properly, turn the engine off and return the CHAIN BRAKE® to the DISENGAGED position.



5-5A

5-6. SAW CHAIN / BAR LUBRICATION

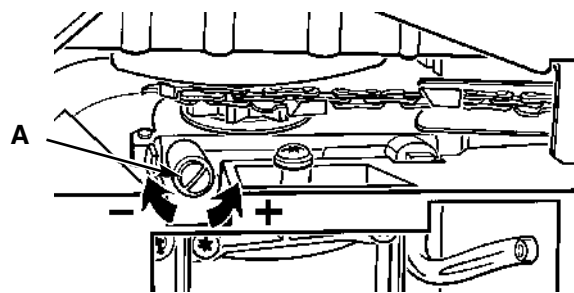
Adequate lubrication of the saw chain is essential at all times to minimize friction with the guide bar.

Never starve the bar and chain of oil. Running the saw with too little oil will decrease cutting efficiency, shorten saw chain life, cause rapid dulling of chain, and cause excessive wear of bar from overheating. Too little oil is evidenced by smoke, bar discoloration or pitch build-up.

NOTE: Saw chain stretches during use, particularly when it is new, and it will occasionally be necessary to adjust and tighten it. New chain will require adjustment after about 5 minutes of operation.

5-7. AUTOMATIC OILER

Your chain saw is equipped with an automatic gear driven oiler system. The oiler automatically delivers the proper amount of oil to the bar and chain. As the engine speed increases, so does the oil flow to the bar pad. The amount of oil flowing to the bar and chain may be changed by turning the adjustment screw (A) as shown in Figure 5-7A. Turn the screw clockwise to DECREASE oil flow and counter-clockwise to INCREASE the flow.



5-7A

6 - GENERAL CUTTING INSTRUCTIONS

6-1.FELLING

Felling is the term for cutting down a tree. Small trees up to 6-7 inches (15-18cm) in diameter are usually cut in a single cut. Larger trees require notch cuts. Notch cuts determine the direction the tree will fall.

FELLING A TREE:

WARNING

A retreat path (A) should be planned and cleared as necessary before cuts are started. The retreat path should extend back and diagonally to the rear of the expected line of fall, as illustrated in Figure 6-1A.

CAUTION

If felling a tree on sloping ground, the chain saw operator should keep on the uphill side of the terrain, as the tree is likely to roll or slide downhill after it is felled.

NOTE: Direction of fall (B) is controlled by the notching cut. Before any cuts are made, consider the location of larger branches and natural lean of the tree to determine the way the tree will fall.

WARNING

Do not cut down a tree during high or changing winds or if there is a danger to property. Consult a tree professional. Do not cut down a tree if there is a danger of striking utility wires; notify the utility company before making any cuts.

GENERAL GUIDELINES FOR FELLING TREES:

Normally felling consists of 2 main cutting operations, notching (C) and making the felling cut (D).

Start making the upper notch cut (C) on the side of the tree facing the felling direction (E). Be sure you don't make the lower cut too deep into the trunk.

The notch (C) should be deep enough to create a hinge (F) of sufficient width and strength. The notch should be wide enough to direct the fall of the tree for as long as possible.

WARNING

Never walk in front of a tree that has been notched. Make the felling cut (D) from the other side of the tree and 1.5 - 2.0 inches (3-5 cm) above the edge of the notch (C) (Figure 6-1B).

Never saw completely through the trunk. Always leave a hinge. The hinge guides the tree. If the trunk is completely cut through, control over the felling direction is lost.

Insert a wedge or felling lever in the cut well before the tree becomes unstable and starts to move. This will prevent the guidebar from binding in the felling cut if you have misjudged the falling direction. Make sure no bystanders have entered the range of the falling tree before you push it over.

WARNING

Before making the final cut, always recheck the area for bystanders, animals or obstacles.

FELLING CUT:

1. Use wooden or plastic wedges (G) to prevent binding the bar or chain (H) in the cut. Wedges also control felling (Figure 6-1C).
2. When diameter of wood being cut is greater than the bar length, make 2 cuts as shown (Figure 6-1D).

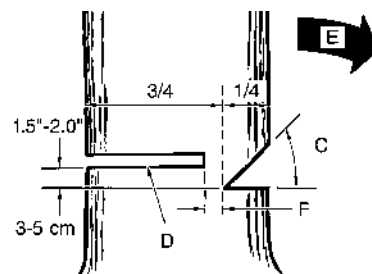
WARNING

As the felling cut gets close to the hinge, the tree should begin to fall. When tree begins to fall, remove saw from cut, stop engine, put chain saw down, and leave area along retreat path (Figure 6-1A).

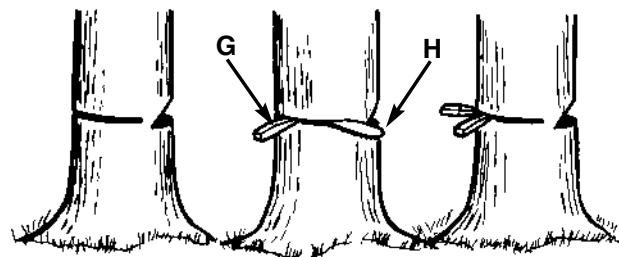
B

A

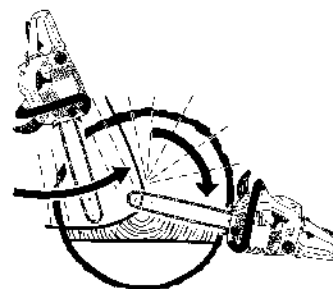
6-1A



6-1B



6-1C



6-1D

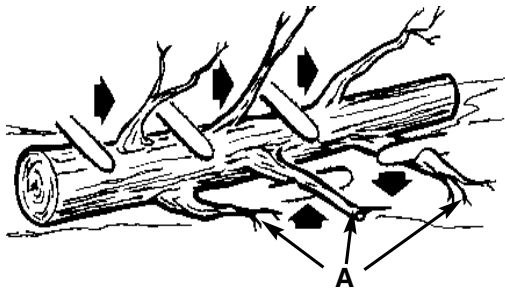
6 - GENERAL CUTTING INSTRUCTIONS

6-2. LIMBING

Limbing a tree is the process of removing the branches from a fallen tree. Do not remove supporting limbs (A) until after the log is bucked (cut) into lengths (Figure 6-2A). Branches under tension should be cut from the bottom up to avoid binding the chain saw.

WARNING

Never cut tree limbs while standing on tree trunk.



6-2A

6-3. BUCKING

Bucking is cutting a fallen log into lengths. Make sure you have a good footing and stand uphill of the log when cutting on sloping ground. If possible, the log should be supported so that the end to be cut off is not resting on the ground. If the log is supported at both ends and you must cut in the middle, make a downward cut halfway through the log and then make the undercut. This will prevent the log from pinching the bar and chain. Be careful that the chain does not cut into the ground when bucking as this causes rapid dulling of the chain.

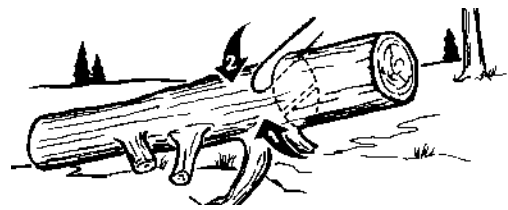
When bucking on a slope, always stand on the uphill side.

1. Log supported along entire length: Cut from top (overbuck), being careful to avoid cutting into the ground (Figure 6-3A).
2. Log supported on 1 end: First, cut from bottom (underbuck) 1/3 diameter of log to avoid splintering. Second, cut from above (overbuck) to meet first cut and avoid pinching (Figure 6-3B).
3. Log supported on both ends: First, overbuck 1/3 diameter of log to avoid splintering. Second, underbuck to meet first cut and avoid pinching (Figure 6-3C).

NOTE: The best way to hold a log while bucking is to use a sawhorse. When this is not possible, the log should be raised and supported by the limb stumps or by using supporting logs. Be sure the log being cut is securely supported.



6-3A



6-3B



6-3C

6-4. BUCKING USING A SAWHORSE

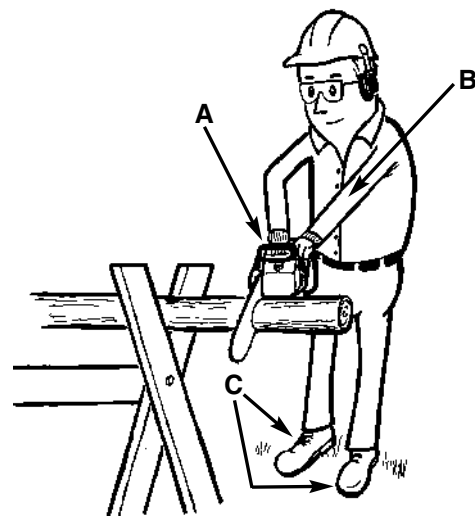
For personal safety and ease of cutting, the correct position for vertical bucking is essential (Figure 6-4A).

VERTICAL CUTTING:

- A. Hold the saw firmly with both hands and keep the saw to the right of your body while cutting.
- B. Keep the left arm as straight as possible.
- C. Keep weight on both feet.

CAUTION

While the saw is cutting, be sure the chain and bar are being properly lubricated.



6-4A

7 - MAINTENANCE INSTRUCTIONS

All chain saw service, other than items listed here in your user manual maintenance instructions, should be performed by your nearest Authorized Service Center.

7-1. PREVENTIVE MAINTENANCE

A good preventive maintenance program of regular inspection and care will increase life and improve performance of your McCulloch chain saw. This maintenance checklist is a guide for such a program.

Cleaning, adjustment, and parts replacement may be required, under certain conditions, at more frequent intervals than those indicated.

MAINTENANCE CHECKLIST		EACH USE	HOURS OF OPERATION	
			10	20
ITEM	ACTION			
SCREWS / NUTS / BOLTS	INSPECT / TIGHTEN	✓		
AIR FILTER	CLEAN OR REPLACE		✓	
FUEL FILTER / OIL FILTER	REPLACE			✓
SPARK PLUG	CLEAN / ADJUST / REPLACE		✓	
SPARK ARRESTER SCREEN	INSPECT	✓		
	REPLACE AS REQUIRED		✓	
FUEL HOSES	INSPECT	✓		
	*REPLACE AS REQUIRED			
CHAIN BRAKE [®] COMPONENTS	INSPECT	✓		
	*REPLACE AS REQUIRED			

*Recommended for Maintenance by a Authorized Service Center Technician.

7 - MAINTENANCE INSTRUCTIONS

7-2. AIR FILTER

CAUTION

Never operate saw without the air filter. Dust and dirt will be drawn into engine and damage it. Keep the air filter clean!

TO CLEAN AIR FILTER:

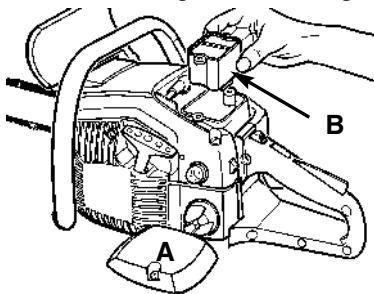
1. Remove the top cover (A) and lift out air filter (B) (Figure 7-2A).
2. Clean air filter. Wash filter in clean, warm, soapy water. Rinse in clear, cool water. Air dry completely.

NOTE: It is advisable to have a supply of spare filters.

3. Install air filter. Install top cover. Make sure cover fits properly. Tighten the cover retaining screws securely.

WARNING

Never perform maintenance when the engine is hot, to avoid any chance of burning hands or fingers.



7-2A

7-3. FUEL FILTER

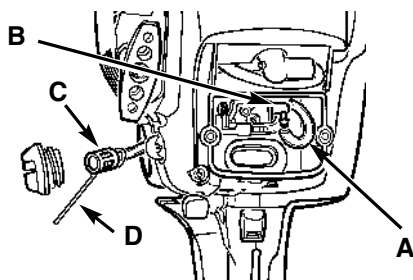
CAUTION

Never operate your saw without a fuel filter. The fuel filter should be replaced after each 20 hours of use. Drain fuel tank completely before changing filter.

1. Remove air box cover and air filter as shown in Section 7-2.
2. Disconnect fuel hose (A) from carburetor fitting
3. Pull fuel filter (C) out of tank with a bent wire (D) or long needle nosed pliers. Disconnect filter and discard.

NOTE: Do not pull hose completely out of tank.

4. Install a new fuel filter on hose and pull hose/filter assembly back into tank so filter is positioned in front right corner.
5. Reconnect fuel hose (A) to carburetor fitting (B). Replace air filter and air box cover (Figure 7-3A).
6. Fill tank with fresh fuel / oil mixture. Install fuel cap.

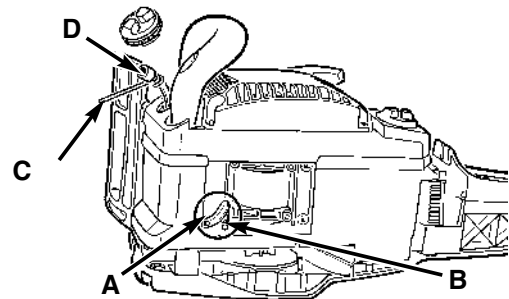


7-3A

7-4. OIL FILTER

NOTE: Drain oil tank before changing filter

1. Disconnect oil hose (A) from pump fitting (B).
2. Use a wire with a hook (C) and pull oil filter (D) from tank. Remove filter and hose completely.
3. Insert a length of hose into tank and pull it through filler opening
4. Install a new filter on hose and pull hose back into tank so filter is positioned in bottom of tank.
5. Cut hose to fit and push it on to oil pump fitting (Figure 7-4A).

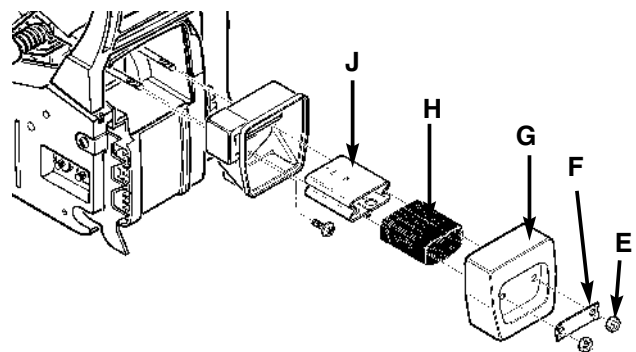


7-4A

7-5. SPARK ARRESTER SCREEN (Figure 7-5A)

NOTE: A clogged spark arrester screen will dramatically reduce engine performance.

1. Remove 2 muffler retaining nuts (E), Lock plate (F) and muffler cover (G).
2. Remove spark arrester screen (H) from the metal baffle (J). Replace screen with new one.
3. Reassemble the muffler components and tighten nuts securely.



7-5A

7 - MAINTENANCE INSTRUCTIONS

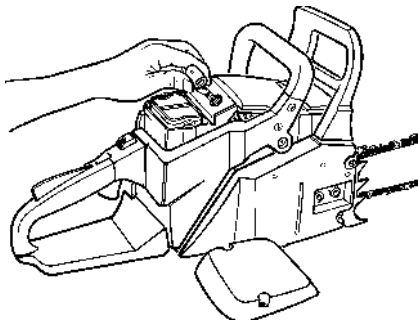
7-6.SPARK PLUG

NOTE: For efficient operation of saw engine, spark plug must be kept clean and properly gapped.

1. Push STOP switch up.
2. Remove top Cover. Disconnect the wire connector from the spark plug by pulling and twisting at the same time (Figure 7-6A).
3. Remove spark plug with spark plug socket wrench. **DO NOT USE ANY OTHER TOOL.**
4. Check electrode gaps with wire feeler gauge and set gaps to .025" (.635mm) if necessary.
5. Reinstall a new spark plug.

NOTE: A resistor spark plug must be used for replacement (McCulloch part no. 9295-320001 champion RDJ8J or equivalent).

NOTE: This spark ignition system meets all requirements of the Canadian Interferen-Causing Equipment Regulations.



7-6A

7-7.CARBURETOR ADJUSTMENT

The carburetor was pre-set at the factory for optimum performance. If further adjustments are necessary, please take your unit to the nearest Authorized Service Center.

7-8.STORING A CHAIN SAW

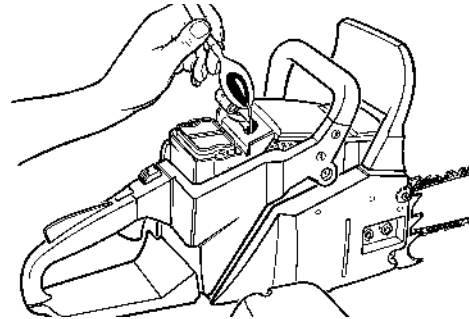
Storing a chain saw for longer than 30 days requires storage maintenance. Unless the storage instructions are followed, fuel remaining in the carburetor will evaporate, leaving gum-like deposits. This could lead to difficult starting and result in costly repairs.

CAUTION

Never store a chain saw for longer than 30 days without performing the following procedures.

1. Remove the fuel tank cap slowly to release any pressure in tank. Carefully drain the fuel tank.
2. Start the engine and let it run until the unit stops to remove fuel from carburetor.
3. Allow the engine to cool (approx. 5 minutes).
4. Using a spark plug wrench, remove the spark plug.
5. Pour 1 teaspoon of clean 2-cycle oil into the combustion chamber. Pull starter rope slowly several times to coat internal components. Replace spark plug (Figure 7-8A).

NOTE: Store the unit in a dry place and away from possible sources of ignition such as a furnace, gas hot water heater, gas dryer, etc.



7-8A

7-9.REMOVING A UNIT FROM STORAGE

Before starting, empty oil from combustion chamber.

1. Remove spark plug.
2. Pull starter rope briskly to clear excess oil from combustion chamber.
3. Clean and gap spark plug or install a new spark plug with proper gap.
4. Prepare unit for operation.
5. Fill fuel tank with proper fuel / oil mixture. See Fuel and Lubrication Section.

8 - BAR / CHAIN MAINTENANCE

8-1. GUIDE BAR MAINTENANCE

Frequent lubrication of the guide bar (railed bar which supports and carries the saw chain) sprocket tip is required. Proper maintenance of the guide bar, as explained in this section, is essential to keep your saw in good working condition.

SPROCKET TIP LUBRICATION:

CAUTION

The sprocket tip on your new saw has been pre-lubricated at the factory. Failure to lubricate the guide bar sprocket tip as explained below will result in poor performance and seizure, voiding the manufacturer's warranty.

Lubrication of the sprocket tip is recommended after 10 hours of use or once a week, whichever occurs first. Always thoroughly clean guide bar sprocket tip before lubrication.

TOOLS FOR LUBRICATION:

The Lube Gun (optional) is recommended for applying grease to the guide bar sprocket tip. The Lube Gun is equipped with a needle nose tip which is necessary for the efficient application of grease to the sprocket tip.

TO LUBRICATE SPROCKET TIP:

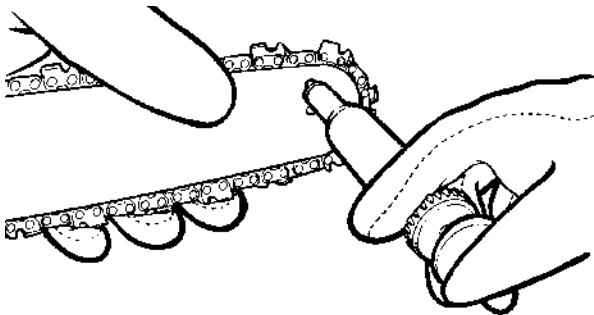
WARNING

Wear heavy duty work gloves when handling the bar and chain.

1. Move the STOP switch down.

NOTE: It is not necessary to remove the saw chain to lubricate the guide bar sprocket tip. Lubrication can be done on the job.

2. Clean the guide bar sprocket tip.
3. Using the Lube Gun (optional), insert tip of lube gun into the lubrication hole and inject grease until it appears at outside edge of sprocket tip (Figure 8-1A).
4. Rotate saw chain by hand. Repeat lubrication procedure until the entire sprocket tip has been greased.



8-1A

GUIDE BAR MAINTENANCE:

Most guide bar problems can be prevented merely by keeping the chain saw well maintained.

Insufficient guide bar lubrication and operating the saw with chain that is TOO TIGHT will contribute to rapid bar wear.

To help minimize bar wear, the following guide bar maintenance procedures are recommended.

BAR WEAR - Turn guide bar frequently at regular intervals (for example, after 5 hours of use), to ensure even wear on top and bottom of bar.

BAR GROOVES - Bar grooves (or rails which support and carry the chain) should be cleaned if saw has been used heavily or if saw chain appears dirty. Rails should always be cleaned every time saw chain is removed.

OIL PASSAGES - Oil passages on the bar should be cleaned to ensure proper lubrication of the bar and chain during operation.

NOTE: The condition of the oil passages can be easily checked. If the passages are clear, the chain will automatically give off a spray of oil within seconds of starting the saw. Your saw is equipped with an automatic oiler system.

8-2. CHAIN MAINTENANCE

CHAIN TENSION:

Check the chain tension frequently and adjust as often as necessary to keep the chain snug on the bar, but loose enough to be pulled around by hand.

BREAKING IN A NEW SAW CHAIN:

A new chain and bar will need chain readjustment after as few as 5 cuts. This is normal during the break-in period, and the interval between future adjustments will begin to lengthen quickly.

WARNING

Never have more than 3 links removed from a loop of chain. This could cause damage to the sprocket.

CHAIN LUBRICATION:

Always make sure the automatic oiler system is working properly. Keep the oil tank filled with Genuine Factory Parts Chain, Bar and Sprocket Oil.

Adequate lubrication of the bar and chain during cutting operations is essential to minimize friction with the guide bar.

Never starve the bar and chain of lubricating oil. Running the saw dry or with too little oil will decrease cutting efficiency, shorten saw chain life, cause rapid dulling of chain, and lead to excessive wear of bar from overheating. Too little oil is evidenced by smoke or bar discoloration.

CHAIN SHARPENING:

Chain sharpening requires special tools to ensure that cutters are sharpened at the correct angle and depth. For the inexperienced chain saw user, we recommend that the saw chain be professionally sharpened by the nearest Authorized Service Center. If you feel comfortable sharpening your own saw chain, special tools are available from the nearest Authorized Service Center.

8 - BAR / CHAIN MAINTENANCE

8-3.CHAIN REPLACEMENT INFORMATION

Bar Length	Drive Links
16" Bar	66 DL
18" Bar	72 DL
20" Bar	78 DL

There may be other quality equivalent replacement components for achieving kickback protection.

9 - TROUBLESHOOTING THE ENGINE

PROBLEM	PROBABLE CAUSE	CORRECTIVE ACTION
Unit won't start or starts but will not run.	Incorrect starting procedures.	Follow instructions in the User Manual.
	Incorrect carburetor mixture adjustment setting.	Have carburetor adjusted by an Authorized Service Center.
	Fouled spark plug	Clean / gap or replace plug.
	Fuel filter plugged.	Replace fuel filter.
Unit starts, but engine has low power.	Incorrect lever position on choke.	Move to RUN position.
	Dirty spark arrester screen.	Replace spark arrester screen.
	Dirty air filter.	Remove, clean and reinstall filter.
	Incorrect carburetor mixture adjustment setting.	Have carburetor adjusted by an Authorized Service Center.
Engine hesitates.	Incorrect carburetor mixture adjustment setting.	Have carburetor adjusted by an Authorized Service Center.
No power under load.		
Runs erratically.	Incorrectly gapped spark plug.	Clean / gap or replace plug.
Smokes excessively.	Incorrect carburetor mixture adjustment setting.	Have carburetor adjusted by an Authorized Service Center.
	Incorrect fuel mixture.	Use properly mixed fuel (40:1 mixture).

McCULLOCH®



MANUEL DE UTILISATION

Tronçonneuses à essence

Modèle : TM502

SECURITE
FONCTIONNEMENT
ENTRETIEN



Ce produit a été testé à un certain angle de rebond calculé (CKA : Computed Kickback Angle) et il est conforme à la norme ANSI B175.1-2000, Annexe C. CAN/CSA-Z62.1-03

AVERTISSEMENT • LIRE ATTENTIVEMENT

Attention aux rebonds. Tenez toujours la tronçonneuse fermement et des deux mains. Pour votre propre sécurité, veuillez lire attentivement ce manuel et suivre toutes les mesures de précautions indiquées avant de vous servir de la tronçonneuse. Utilisé incorrectement, cet outil peut causer des dommages matériels et/ou corporels graves.

PN 9096-31C203

Imprimé aux Taïwan

INTRODUCTION

A LIRE ATTENTIVEMENT

Cher Client,

Nous vous remercions de l'achat d'un produit McCulloch. Correctement utilisé et entretenu, il vous procurera des années de satisfaction.


Il est **IMPERATIF** que vous preniez connaissance de **LA TOTALITE** de ce manuel avant d'utiliser l'outil ou de procéder à des opérations d'entretien.

Veillez à bien suivre les instructions pas à pas données dans le présent manuel pour démarrer, mettre en oeuvre et maintenir votre nouveau produit en condition.

Ce manuel contient également des mises en garde et renseignements intitulés: **REMARQUES, AVERTISSEMENT / ATTENTION** et **GARANTIE**.

Une **REMARQUE**: fournit des renseignements complémentaires, éclaire un point ou explique une étape à suivre en plus de détails.

La notice **AVERTISSEMENT** ou **ATTENTION** est utilisée pour identifier une procédure qui, si négligée ou incorrectement exécutée, peut entraîner des dommages matériels et/ou corporels graves.

Le **SYMBOLE DE GARANTIE**  indique que si les procédures ou instructions ne sont pas respectées, les dommages ne seront pas couverts par la garantie et les réparations seront à la charge du propriétaire.

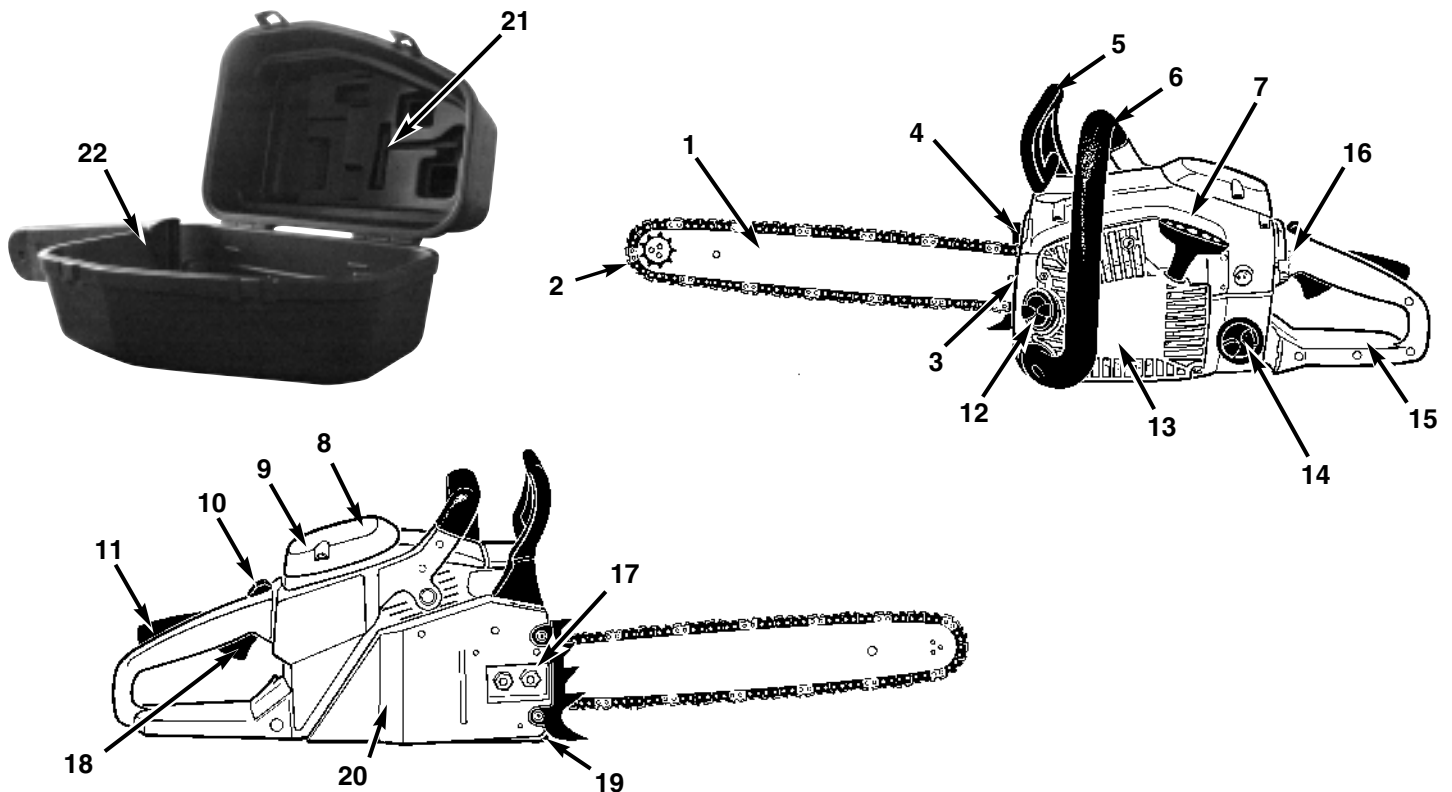
Les précautions de sécurité sont pour votre protection; Veuillez les lire attentivement; vous devez connaître ces importants renseignements afin d'utiliser correctement votre tronçonneuse.

POUR LA GARANTIE OU LES RÉPARATIONS, VEUILLEZ PRENDRE CONTACT AVEC LE CENTRE DE MAINTENANCE AGRÉÉ LE PLUS PROCHE DE CHEZ VOUS - POUR SAVOIR QUEL EST LE CENTRE DE RÉPARATION LE PLUS PROCHE, APPELEZ LE NUMÉRO GRATUIT DONNÉ DANS PRÉSENT MANUEL.

TABLE DES MATIERES

1 RENSEIGNEMENTS GENERAUX	23
1-1. Identification des Principaux Eléments	
1-2. Dispositifs de Sécurité	
2 MESURES DE SECURITE POUR L'UTILISATEUR . . .	24
2-1. Précautions pour Eviter les Rebonds	
2-2. Mesures de Sécurité Supplémentaires	
2-3. Précautions Générales de Sécurité	
2-4. Rebonds: Conseils Supplémentaires	
2-5. Etiquette Sécurité pour Rebonds	
2-6. Symboles Internationaux	
3 RETRAIT ET INSTALLATION DU GUIDE-CHAINE ET DE LA CHAINE	28
3-1. Retrait et installation du guide-chaîne et de la chaîne	
3-2. Avant de démarrer votre tronçonneuse	
3-3. Retrait ou installation du guide-chaîne / de la chaîne de la tronçonneuse / du couvercle de l'embrayage	
3-4. Réglage de la Tension de la Chaîne	
3-5. Test Mécanique du CHAIN BRAKE®	
4 CARBURANT ET LUBRIFICATION	31
4-1. Carburant	
4-2. Mélange du Carburant	
4-3. Symboles de Carburant et Lubrification de Carburants	
Tableau des Proportions	
4-4. Carburants Recommandés	
4-5. Lubrification de la Chaîne et du Guide-Chaîne	
5 FONCTIONNEMENT	32
5-1. Vérification du Moteur	
5-2. Mise en Marche du Moteur	
5-3. Redémarrage d'un Moteur Chaud	
5-4. Arrêt du Moteur	
5-5. Test Opérationnel du CHAIN BRAKE®	
5-6. Lubrification de la Chaîne et du Guide-Chaîne	
5-7. Graissage Automatique	
6 INSTRUCTIONS POUR LA COUPE	34
6-1. Abattage	
6-2. Ebranchage	
6-3. Tronçonnage	
6-4. Tronçonnage sur Chevalet	
7 ENTRETIEN	36
7-1. Entretien Préventif	
7-2. Filtre à Air	
7-3. Filtre à Essence	
7-4. Filtre à Huile	
7-5. Grille Pare-Etincelles	
7-6. Bougie	
7-7. Réglage du Carburateur	
7-8. Entreposage d'une Tronçonneuse	
7-9. Préparation Apres Emmagasiner	
8 ENTRETIEN DE DU GUIDE-CHAINE / CHAINE	39
8-1. Entretien du Guide-Chaîne	
8-2. Entretien de la Chaîne	
8-3. Informations Concernant le Remplacement de la Chaîne	
9 DEPANNAGE DU MOTEUR	41
10 NOMENCLATURE	63

1 - RENSEIGNEMENTS GENERAUX



1-1. IDENTIFICATION DES PRINCIPAUX

1. GUIDE-CHAINE
2. CHAINE
3. VIS DE REGLAGE DE CHAINE
4. PARE-ETINCELLES
5. LEVIER DU CHAIN BRAKE® (FREIN ARCEAU PROTECTEUR
6. POIGNEE AVANT
7. POIGNEE DU LANCEUR
8. BOUGIE
9. COUVERCLE DU FILTRE A AIR
10. INTERRUPTEUR D'ARRET
11. MANETTE DE SECURITE
12. BOUCHON DU RESERVOIR D'HUILE DE CHAINE
13. CAPOT DU LANCEUR
14. BOUCHON DU RESERVOIR A CARBURANT
15. POIGNEE ARRIERE / ETRIER
16. LEVIER DU STARTER
17. ECROUS DU GUIDE-CHAINE
18. GACHETTE D'ACCELERATION (MANETTE DES GAZ)
19. CAPTEUR DE CHAINE
20. CAPOT DE CHAIN BRAKE®
21. TOURNEVIS / CLÉ PLATE
22. FOURRE-TOUT ROBUSTE (Disponible pour certains modèles)

REMARQUE : Examinez votre tronçonneuse et chacun de ses éléments.

1-2. DISPOSITIFS DE SECURITE

Afin de vous aider à localiser les dispositifs de sécurité, les numéros précédant les descriptions correspondent à ceux de la page précédente.

- 2 Grâce aux limiteurs de profondeur spécialement conçus et aux maillons **UNE TRONÇONNEUSE A «REBONDS REDUITS»** aide à réduire les rebonds et leur intensité.
- 4 **LE PARE-ETINCELLES** empêche la projection de carbone et autres particules inflammables de plus de 0,6mm (0,023 pouces) de l'échappement. Le respect des lois et/ou réglementations locales, d'états ou gouvernementales est à la responsabilité de l'utilisateur. Voir les Sections Mesures de Sécurité pour plus de détails.
- 5 **LE LEVIER DU CHAIN BRAKE® (FREIN DE CHAINE) /ARCEAU PROTECTEUR** protège la main gauche de l'utilisateur si elle glisse de la poignée avant, pendant que la tronçonneuse est en opération.
- 5 **CHAIN BRAKE®** est un dispositif de sécurité conçu pour minimiser la possibilité de blessures causées par un rebond; le levier du CHAIN BRAKE® arrête la tronçonneuse instantanément.
- 10 Déclanché, **L'INTERRUPTEUR D ARRET** stoppe immédiatement le moteur. Pour faire redémarrer le moteur, il est nécessaire de mettre l'interrupteur sur la position «mise en marche» ON.
- 11 **LA MANETTE DE SECURITE** empêche l'accélération involontaire du moteur. Il n'est pas possible d'appuyer sur la gâchette d'accélération (19) à moins que la gâchette de sécurité ne soit enclenchée.
- 20 **LE CAPTEUR DE CHAINE** réduit le danger de blessures en cas de rupture ou de sortie de la chaîne. Le capteur de chaîne est conçu de manière à intercepter la chaîne.

2 - MEASURES DE SECURITE

MESURES DE SECURITE POUR L UTILISATEUR (ANSI B175.1-2000, Annexe C, CAN/CSA-Z62.1-03)

2-1. PRECAUTIONS POUR EVITER LES REBONDS

AVERTISSEMENT

Un rebond risque de se produire lorsque le nez ou la pointe du guide-chaîne touche un objet ou lorsque le bois se referme et pince la chaîne coupante en cours de coupe. Si la pointe du guide entre en contact avec quelque chose, cela risque de provoquer une réaction qui fait rebondir le guide-chaîne en direction de l'opérateur. Lorsque la chaîne coupante est pincée au sommet du guide-chaîne, cela risque de pousser rapidement le guide-chaîne en direction de l'opérateur. L'une ou l'autre de ces réactions risque de vous faire perdre le contrôle de la scie, ce qui risque de provoquer un accident corporel grave. Ne vous fiez pas uniquement aux dispositifs de sécurité qu'intègre votre scie. En tant qu'utilisateur de cette scie à chaîne, vous devez prendre plusieurs précautions pour éviter tout accident ou toute blessure pendant vos opérations de coupe.

1. Comprendre ce qui cause les rebonds et comment ils ont lieu, peut réduire ou même éliminer l'élément de surprise. L'effet de surprise contribue aux accidents.
2. Quand le moteur est en marche, tenir toujours la tronçonneuse fermement et correctement: des deux mains, pouces et doigts bien refermés sur les poignées, la main droite sur la poignée arrière, et la main gauche sur la poignée avant. Vous pourrez ainsi maîtriser votre tronçonneuse et en réduire les risques de rebonds en la tenant fermement. Ne lâchez pas prise.
3. Votre secteur de travail doit être libre d'obstacle. S'assurer que la pointe du guide-chaîne n'entre pas en contact de branches, troncs ou autres surfaces pendant son fonctionnement.
4. Scier toujours le moteur à plein régime.
5. Ne pas scier au delà de la hauteur des épaules; ne pas se pencher trop en avant.
6. Suivre les instructions du fabricant pour l'affûtage et l'entretien de la tronçonneuse.
7. N'utiliser que des chaînes et guide-chaînes recommandés par le fabricant ou leur équivalent.

REMARQUE : Une chaîne à «rebonds réduits» répond aux normes de performances pour «rebonds réduits» exigées par ANSI B175.1-2000. (American National Standard for Power Tools Gasoline Powered Chain Saws Safety Requirements) (Normes Nationales Américaines pour Outils à Moteur et Normes de Sécurité pour Tronçonneuses à Essence) quand la chaîne est testée sur tronçonneuse avec un déplacement de pouce cubique de moins de 3,8 (3.8 c.i.d.) comme spécifié par ANSI B175.1-2000.

2-2. MESURES DE SECURITE SUPPLEMENTAIRES

1. NE JAMAIS utiliser la tronçonneuse d'une seule main! L'utilisateur, et toutes autres personnes autour risqueraient de graves blessures. Une tronçonneuse est conçue pour être utilisée à deux mains.
2. NE JAMAIS utiliser la tronçonneuse par moments de fatigue.
3. Porter des chaussures de sécurité, des vêtements de sécurité bien ajustés, des gants de protection ainsi que des dispositifs protecteurs appropriés pour yeux, oreilles et tête.
4. Etre prudent pendant toute manipulation de carburant. S'éloigner d'au moins 9.1m (30 pieds) de l'endroit où le plein d'essence a été fait avant de mettre le moteur en marche.
5. Ne laissez personne se trouver à proximité quand vous faites démarrer ou utilisez votre tronçonneuse.
6. Avant d'entreprendre l'abattage, veiller à vous tenir sur une surface stable afin de ne pas perdre l'équilibre, vérifier que votre zone de travail et voie de retraite sont sans obstacle.
7. Rester à l'écart de la chaîne lorsque le moteur est en marche.
8. Avant de faire démarrer le moteur, s'assurer que la chaîne de la tronçonneuse ne puisse pas entrer en contact avec quoi que ce soit.
9. Après avoir arrêté le moteur, transporter la tronçonneuse par sa poignée avant, le guide-chaîne et chaîne dirigés vers l'arrière et le silencieux à l'opposé de votre corps.
10. NE JAMAIS se servir d'une tronçonneuse endommagée, mal ajustée ou incorrectement assemblée. S'assurer que la chaîne s'immobilise lorsque vous relâchez la gâchette d'accélération.
11. Arrêter le moteur avant de déposer la tronçonneuse.
12. Etre extrêmement prudent lors de la coupe de petits buissons et arbustes car les matériaux plus fins peuvent «s'attraper» dans la chaîne et être projetés dans votre direction ou vous faire perdre l'équilibre.
13. Faire attention aux branches courbées par la tension qui peuvent vous heurter en se dépliant.
14. Garder les poignées sèches, propres et sans trace d'huile ou de mélange de carburants.
15. Se servir de la tronçonneuse que dans des endroits bien aérés.
16. NE JAMAIS utiliser votre tronçonneuse lorsque vous êtes dans un arbre à moins que vous ayez eu une formation spéciale.
17. Tous autres services d'entretien de la tronçonneuse, à l'exception de ceux indiqués dans le manuel d'utilisation et d'entretien, doivent être accomplis par un personnel de réparation de tronçonneuse compétent

2 - MEASURES DE SECURITE

18. Quand vous transportez votre tronçonneuse, veuillez utiliser le protège-lame approprié.
19. A l'extérieur ou à l'intérieur, NE PAS UTILISER votre tronçonneuse près de tout produit inflammable (liquides, gas...). Une explosion et/ou un feu pourrait en résulter.
20. UTILISER LE BON OUTIL : Ne couper que du bois. Ne pas utiliser la tronçonneuse à des fins pour lesquelles elle n'a pas été conçue. Ne jamais utiliser la tronçonneuse pour couper plastique, maçonnerie, ou tout autre matériel n'étant pas pour la construction.
21. Ne tentez pas d'ajouter du carburant ou de l'huile de graissage à la scie pendant que le moteur est en train de tourner.

REMARQUE : Ces précautions de sécurité s'adressent principalement aux utilisateurs amateurs ou occasionnels. Lorsque vous utilisez la scie à chaîne pour l'exploitation forestière, veuillez vous reporter au Code de la réglementation fédérale, section 1910.226(5) ; 2.5.1., à la norme américaine nationale Exigences en matières d'exploitation du bois à pâte, ANSI O3.1-1978, et aux autres codes de sécurité pertinents. Ces modèles sont classés par le CSA comme étant des scies de Classe 1C. Elles sont destinées à une utilisation occasionnelle par les propriétaires de maisons individuelles, les propriétaires de maisons de vacances et les campeurs, pour un usage général tel que nettoyage, élagage, coupe de bois à brûler, etc. Ils ne sont pas destinés à une utilisation prolongée. Si l'utilisation prévue implique une mise en oeuvre de longue durée, les vibrations risquent de causer des problèmes circulatoires au niveau des mains de l'utilisateur. Tous les modèles couverts par le présent manuel utilisent une fonction anti-vibrations pour plus de confort et de sécurité.

2-3. PRÉCAUTIONS GÉNÉRALES DE SÉCURITÉ

1. La fatigue est cause d'imprudences. Accordez une attention particulière avant les périodes de repos et en fin de journée de travail.
2. Vous devez utiliser les vêtements de protection individuelle exigés par les organismes de sécurité, les réglementations officielles et votre employeur. Lorsque vous utilisez une scie à chaîne, vous devez porter un habillement ajusté, des protections oculaires, des chaussures de sécurité, et des protections pour les mains, les jambes et l'audition.
3. Avant toute opération d'ajout de carburant, de maintenance ou de transport de votre scie à chaîne, arrêtez le moteur. Afin d'éviter tout risque d'incendie, redémarrez votre scie à chaîne à au moins 9.1m (30pieds) de la zone d'ajout de carburant.
4. Lorsque vous utilisez une scie à chaîne, vous devez avoir un extincteur à disposition.
5. Lors de l'abattage, restez à au moins deux arbres de distance de vos collègues.
6. Planifiez votre travail, choisissez une zone de travail sans obstacle et, en cas d'abattage, possédant au moins une issue vous permettant de fuir l'arbre qui tombe.
7. Suivez les instructions données dans votre manuel de l'opérateur pour démarrer la scie à chaîne et contrôlez la scie à chaîne en la tenant fermement par ses deux poignées lorsqu'elle est en cours d'utilisation. Gardez les mains propres, sèches et non grasses.
8. Lorsque vous transportez votre scie à chaîne, utilisez les capots de transport appropriés pour le guide-chaîne et la chaîne coupante.
9. Ne jamais utiliser une scie à chaîne qui est endommagée ou mal réglée, ou qui n'est pas complètement et correctement assemblée. Assurez-vous que la chaîne coupante s'arrête bien de tourner lorsque vous relâchez l'interrupteur du système de contrôle de l'alimentation.
Ne jamais ajuster le guide-chaîne ou la chaîne coupante lorsque le moteur est en train de tourner.
10. Faites attention à l'empoisonnement par monoxyde de carbone. N'utilisez la scie à chaîne que dans des zones bien ventilées.
11. Ne tentez pas de réaliser des opérations d'élagage ou d'ébranchage sur un arbre sur pied si vous n'avez pas reçu de formation spécifique pour cela.
12. Faites attention aux rebonds. Le rebond est le mouvement vers le haut du guide-chaîne qui se produit lorsque la chaîne coupante, au niveau du nez du guide-chaîne, entre en contact avec un objet. Le rebond peut provoquer une perte de contrôle dangereuse de la scie à chaîne.
13. Une scie à chaîne est prévue pour être utilisée à deux mains. Si vous l'utilisez avec seulement une main, vous risquez de vous exposer et d'exposer vos aides et/ou les personnes à proximité à un accident grave.
14. Voir la section 2-5, 2-6, pages 14-15, pour les définitions des symboles.
15. Lorsque vous transportez une scie à chaîne dont le moteur tourne, enclenchez le frein de chaîne.
16. Laissez votre scie à chaîne refroidir avant de remettre du carburant, et ne fumez pas.
17. Veillez à ce que les autres personnes ou les animaux restent à une distance de sécurité de la scie à chaîne en train de fonctionner ou de la zone dans laquelle l'arbre coupé doit tomber.
18. Faites très attention lorsque vous coupez de petits buissons ou des arbustes car des éléments de petite taille peuvent se prendre dans la chaîne coupante et vous fouetter.
19. Lorsque vous coupez une branche qui est sous tension ou comprimée, faites attention à la détente possible

2 - MEASURES DE SECURITE

20. Cette chaîne à essence a été classée par le CSA dans la catégorie des chaînes de Classe 1C. Elle a été conçue pour une utilisation occasionnelle par les propriétaires de maisons individuelles, les propriétaires de maisons de vacances et les campeurs, et pour des applications générales telles que nettoyage, élagage, coupe de bois à brûler, etc. Elle n'a pas été prévue pour une utilisation prolongée. En cas d'utilisation prolongée, les vibrations risquent de causer des problèmes circulatoires aux mains de l'utilisateur. Pour ce type d'utilisation, mieux vaut peut-être utiliser une scie possédant une fonction antivibration.

2-4. REBONDS: CONSEILS SUPPLEMENTAIRES

AVERTISSEMENT

DANGER! ATTENTION AUX REBONDS!

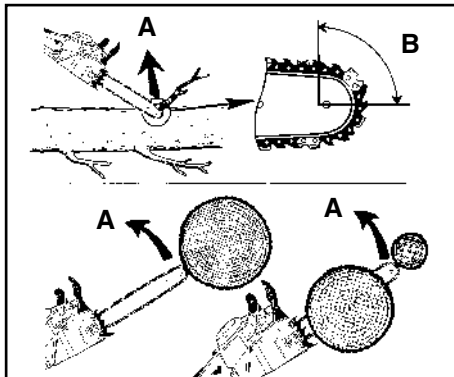
Les rebonds peuvent vous faire perdre contrôle de votre outil et entraîner des blessures graves et même mortelles soit à l'utilisateur soit à une personne se trouvant à proximité. Soyez toujours vigilant. Les dangers les plus importants pendant l'utilisation d'une tronçonneuse proviennent des rebonds causés par une rotation ou un coinçage, la cause principale de la plupart des accidents

ATTENTION AUX:

REBONDS ROTATIFS (Figure 2-4A)

A = Trajectoire rebonds

B = Zone de réaction rebonds



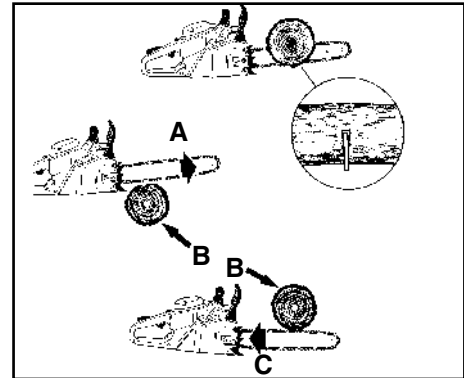
2-4A

LES REACTIONS DE POUSSEE (REBOND COINCAGE) ET DE PROPULSION (Figure 2-4B)

A = Propulsion vers l'avant

B = Objets solides

C = Poussee vers l'utilisateur



2-4B

EL CONTRAGOLPE puede ocurrir cuando la NARIZ o la PUNTA de la barra guía toca un objeto, o cuando la madera se cierra y pellizca la cadena al momento del corte.

El contacto de la punta algunas veces puede causar una reacción reversiva relámpago, pateando la barra guía hacia arriba y atrás hacia el operador.

EL PELLIZCADO de la cadena de la sierra a lo largo de la BASE de la barra guía puede JALAR la sierra hacia adelante lejos del operador. PELLIZCANDO la cadena de la sierra a lo largo de la PUNTA de la barra guía puede EMPUJAR la barra guía rápidamente para atrás hacia el operador.

Cualquiera de estas reacciones puede causar que usted pierda el control de la sierra, lo cual puede resultar en serias lesiones personales.



AVERTISSEMENT



La fumée ressortant de ce produit contient des produits chimiques reconnus par l'Etat de Californie comme étant cancérigènes, provoquant des anomalies foetales et d'autres dommages corporels.

2 - MEASURES DE SECURITE

2-5. ETIQUETTE SECURITE POUR REBONDS

Votre scie à chaîne McCulloch possède une étiquette de sécurité située sur le capot du filtre à air. Cette étiquette, ainsi que les instructions de sécurité contenues dans ces pages, doivent être soigneusement lues avant toute utilisation de cette unité.

INTERPRETATIONS DES SYMBOLES ET COULEURS :

VERT AVERTISSEMENT

Utilisé pour vous prévenir qu'une procédure dangereuse est à éviter.

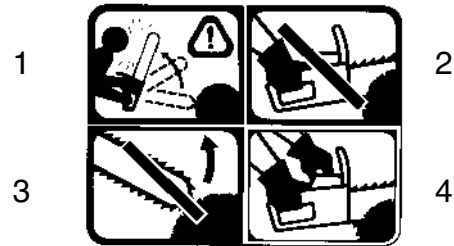
ROUGE RECOMMANDE

Procédé de coupe recommandé.

AVERTISSEMENT (Figure 2-5A)

1. Attention aux rebonds.
2. Ne pas se servir de la tronçonneuse d'une seule main.
3. Eviter tout contact avec la pointe du guide-chaîne.

RECOMMANDE



2-5A

4. Tenir la tronçonneuse fermement, des deux mains.

2-6. INTERNATIONAL SYMBOLS



Lire le manuel d'utilisation.



Protez des protections (tête, yeux et oreilles)



Portez des gants pour protéger vos mains



Portez des bottes de protection contre le choc électrique

L'utilisation des ces dispositifs de sécurité est foretement recommandé afim de réduire tout risque de blessures accidentelles.

3 - RETRAIT ET INSTALLATION DU GUIDE-CHAÎNE ET DE LA CHAÎNE

3-1. RETRAIT ET INSTALLATION DU GUIDE-CHAÎNE ET DE LA CHAÎNE

Vous aurez besoin des outils suivants pour travailler sur votre tronçonneuse :

1. Une clé universelle (clé & tournevis), comprise dans votre kit ou porter la couverture.
2. Des gants de protection robustes, non inclus.

3-2. AVANT DE DEMARRER VOTRE TRONÇONNEUSE

Votre nouvelle tronçonneuse, il est nécessaire d'ajuster la chaîne, remplir le réservoir à essence avec le mélange de carburants approprié et de remplir le réservoir d'huile lubrifiante avant que l'unité soit prête pour l'exécution.

AVERTISSEMENT

NE JAMAIS faire démarrer la tronçonneuse sans avoir monté guide-chaîne et chaîne.

Lire attentivement la totalité du manuel d'utilisation avant de faire fonctionner votre outil. Faire particulièrement attention aux mesures de sécurité.

Votre manuel d'utilisation est tout à la fois un guide de référence et un manuel de service qui présente les instructions de montage, de fonctionnement et d'entretien de votre tronçonneuse.

3-3. RETRAIT OU INSTALLATION DU GUIDE-CHAÎNE/ DE LA CHAÎNE DE LA TRONÇONNEUSE/ DU COUVERCLE DE L'EMBRAYAGE

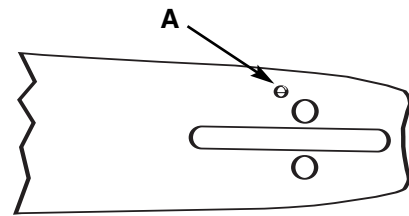
AVERTISSEMENT

Utiliser des gants pour toute manipulation de la chaîne.

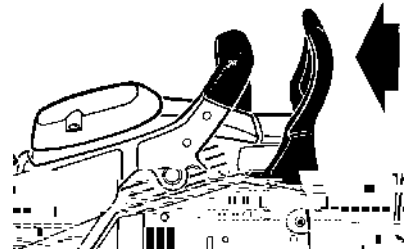
ATTENTION

Pour s'assurer que la chaîne et guide-chaîne soient huilés, UTILISER EXCLUSIVEMENT LE TYPE DE GUIDE-CHAÎNE D ORIGINE ayant un orifice pour huile (A) comme illustré ci-dessus (Figure 3-3A).

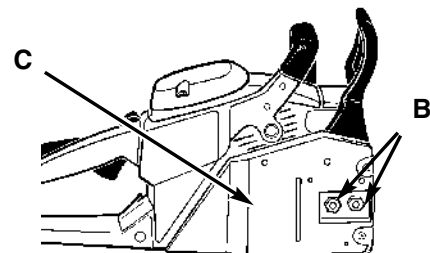
1. Assurez-vous que le levier du CHAIN BRAKE® n'est PAS ENGAGÉ (Figure 3-3B).
2. Enlever les 2 écrous de fixation (B) du guide-chaîne. Retirer la capot (C) de CHAIN BRAKE® (Figure 3-3C). Enlever la plaque extérieure de barre de guide (M). (Figure 3-3K)
3. Retirez la chaîne et le guide-chaîne avec précaution.
4. A l'aide d'un tournevis, tourner la vis de réglage (D) VERS LA GAUCHE jusqu'à ce que la vis de tension «LE TENON» (E) ne puisse plus avancer vers le tambour d'embrayage et le pignon (Figure 3-3D).
5. Positionner le guide-chaîne sur les 2 goujons (F) de manière à ce que LE TENON (la vis de tension) puisse pénétrer dans le trou (G) en bas du guide-chaîne (Figure 3-3E).
6. Ecarter la chaîne en forme de cercle avec la face (H) tranchante VERS L'AVANT sur le dessus du guide (Figure 3-3F).



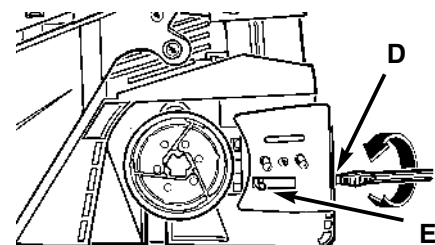
3-3A



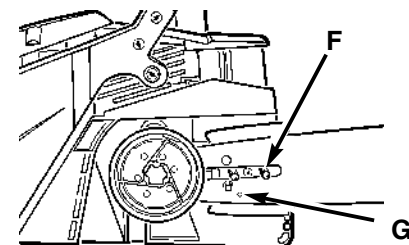
3-3B



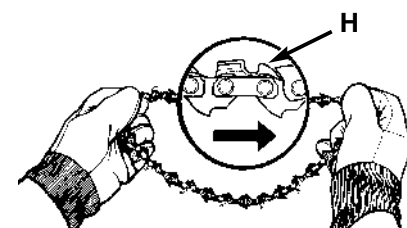
3-3C



3-3D



3-3E

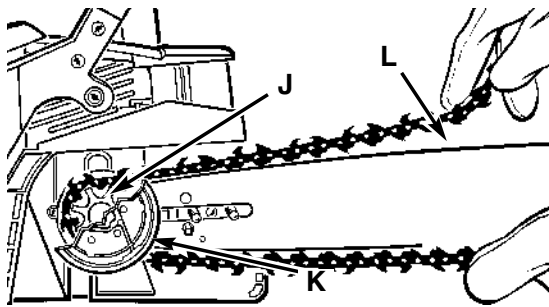


3-3F

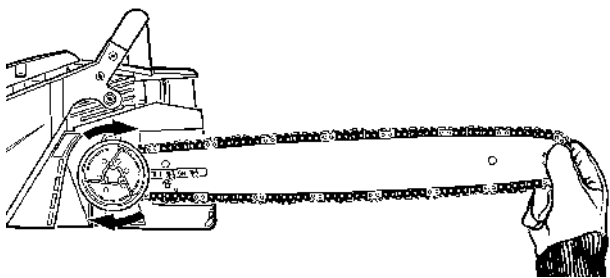
3 - RETRAIT ET INSTALLATION DU GUIDE-CHAÎNE ET DE LA CHAÎNE

7. Faire passer la chaîne autour du pignon (J), derrière l'embrayage (K). S'assurer que les maillons s'engagent entre les «dents» du pignon (Figure 3-3G).
8. Engager les maillons d'entraînement dans la rainure (L) du guide-chaîne (Figure 3-3G).
9. La chaîne semble trop serrée il est possible que vous deviez, à la main, tourner l'embrayage vers la droite de manière à ce que la chaîne s'engrène sur le pignon.
10. Vérifiez que le tenon (E) est dans le trou de réglage du guide-chaîne (Figure 3-3J).
11. Remplacer la plaque extérieure de batte de guide (M) si les bords courbés (le sommet et le fond) sont dirigés loin de la chaîne (Figure 3-3K).
12. Placer la griffe sur le capot de CHAIN BRAKE® comme illustré sur la Figure 3-3L (Accessoire Facultatif).
13. Placer le capot de CHAÎNE BRAKE®. S'assurer que la chaîne ne glisse pas hors du guide-chaîne. Serrer à la main les 2 écrous et suivre les instructions de la Section 3-4.

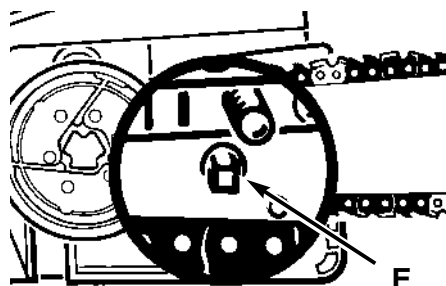
REMARQUE: Les écrous du guide-chaîne sont serrés à la main car la chaîne devra être ajustée.



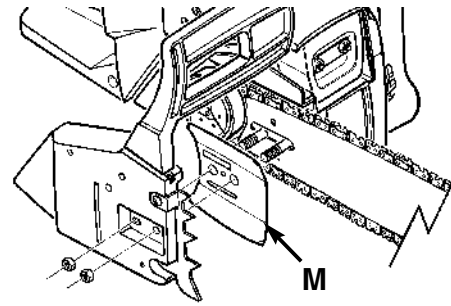
3-3G



3-3H



3-3J



3-3K

3-4. REGLAGE DE LA TENSION DE LA CHAÎNE

La tension correcte d'une chaîne est très importante et doit être vérifiée avant et durant tout tronçonnage.

Faire les réglages nécessaires est synonyme de bonne capacité de coupe et de longévité de votre outil.

ATTENTION

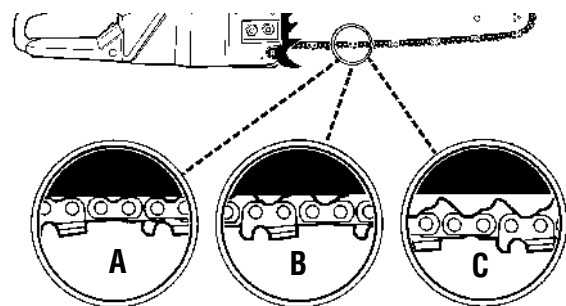
La tension d'une chaîne neuve doit être vérifiée fréquemment pendant son rodage, exigeant un réglage après aussi peu que 5 coupes. Il est normal qu'une nouvelle chaîne se détende, et les intervalles entre réglages s'espaceront rapidement.

AVERTISSEMENT

Porter toujours des gants de protection robustes pendant toute manipulation de la chaîne ou pendant tout réglage.

ATTENTION

Si la chaîne est TROP TENDUE ou PAS ASSEZ, le pignon, guide-chaîne, chaîne et roulements de vilebrequin s'useront plus rapidement. Etudier la Figure 3-4A pour tout renseignement concernant la tension appropriée pour moteur chaud (A) ou froid (B), et comme guide indiquant quand la chaîne a besoin d'être ajustée (C).



3-4A

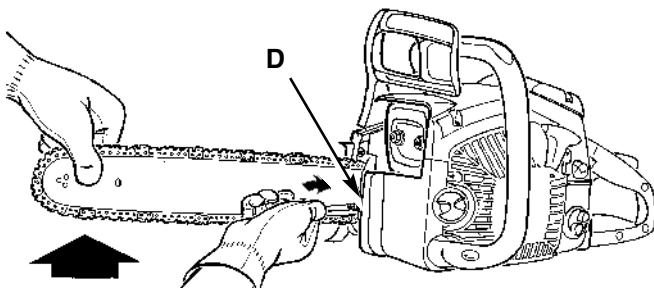
3 - RETRAIT ET INSTALLATION DU GUIDE-CHAÎNE ET DE LA CHAÎNE

REGLAGE DE LA CHAÎNE:

1. Desserrer la barre retenant des noix (Figure 3-3C). Tenir le guide-chaîne à l'horizontale et serrer la vis (D) en tournant A DROITE pour augmenter la tension de la chaîne. Pour diminuer la tension, tourner la vis de réglage VERS LA GAUCHE. S'assurer que la chaîne est bien ajustée tout au long du guide-chaîne (Figure 3-4B).
2. Après le réglage, en tenant toujours le «nez» du guide-chaîne vers le haut, resserrer fortement les écrous du guide-chaîne. La chaîne est tendue correctement quand elle est bien ajustée et ne pend donc plus sous le guide et peut être avancée à la main (gantée) sans difficulté.

REMARQUE : La chaîne est trop tendue si il est difficile de la faire tourner sur le guide-chaîne ou si elle accroche. Ceci n'exige qu'un réglage minime:

- A. Desserrer les 2 écrous du guide-chaîne jusqu'à ce qu'ils puissent être serrés à la main. Diminuer la tension en tournant doucement la vis de réglage VERS LA GAUCHE. Faire avancer et reculer la chaîne. Continuer le réglage jusqu'à ce que la chaîne tourne librement mais soit bien ajustée. Augmenter la tension en tournant la vis de réglage VERS LA DROITE.
- B. Quand la chaîne a une tension appropriée, tenir le «nez» du guide-chaîne vers le haut et resserrer les 2 écrous.



3-4B

3-5. TEST MECANIQUE DU CHAIN BRAKE®

Votre tronçonneuse comprend un CHAIN BRAKE® qui réduit les possibilités de blessures causées par les rebonds. Le frein fonctionne si une pression est exercée sur le levier du frein, c'est à dire quand la main de l'utilisateur heurte le levier comme cela arrive en cas de rebonds. Quand le frein est activé, la chaîne s'arrête abruptement.

AVERTISSEMENT

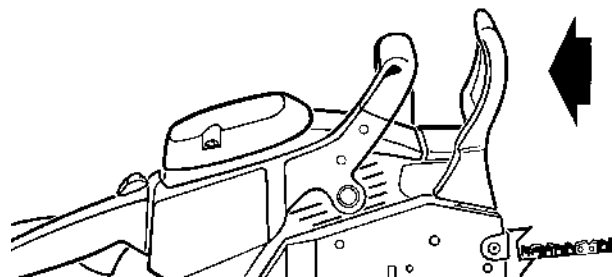
Le but du CHAIN BRAKE® est de réduire les possibilités de blessures en cas de rebond en arrière; il ne peut cependant vous protéger si la tronçonneuse est utilisée imprudemment.

Tester le CHAIN BRAKE® avant toute utilisation et périodiquement pendant le travail.

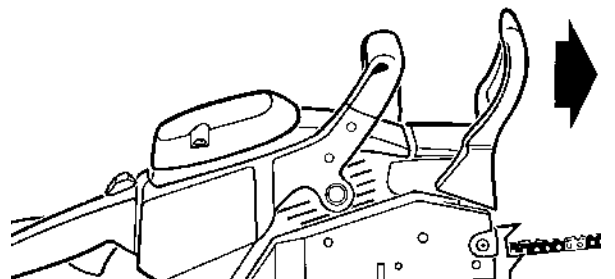
Test du CHAIN BRAKE® :

1. Le CHAIN BRAKE® est DECLENCHE (position de désengagement; la chaîne bouge) quand le LEVIER DE FREIN EST REPOUSSE VERS L'ARRIERE ET BLOQUE (Figure 3-5A).
2. Le CHAIN BRAKE® est ENCLENCHE (la chaîne est arrêtée) quand la manette du frein est repoussée vers l'avant. Vous ne devez pas pouvoir faire bouger la chaîne (Figure 3-5B).

REMARQUE : Le levier de frein doit toujours être fixé dans les deux positions. Si vous sentez une forte résistance ou si le levier ne bouge pas dans l'une des deux positions, n'utilisez pas votre scie. Amenez-la immédiatement à un Centre de maintenance agréé pour réparation.



3-5A



3-5B

4 - CARBURANT ET LUBRIFICATION

4-1. CARBURANT

Utilisez un mélange d'essence sans plomb standard et d'huile moteur deux temps Genuine Factory Parts 40:1 Custom. Utilisez les proportions de mélange données dans la Section 4-3.

G Ne jamais utiliser d'essence pure dans cet outil. Ceci causerait des dommages irréparables et entraînerait l'annulation de la garantie du fabricant. Ne jamais utiliser un mélange entreposé depuis plus de 90 jours.

G Si vous utilisez un lubrifiant deux temps autre qu'un lubrifiant Genuine Factory Parts Custom, il est indispensable que ce soit une huile de qualité supérieure pour moteur à deux temps à refroidissement par air mélangée selon une proportion de 40:1. N'utilisez pas d'huile deux temps dont la proportion de mélange recommandée est de 100:1. En cas de dommages causés au moteur du fait d'une lubrification insuffisante, la garantie moteur du fabricant est annulée.

4-2. MELANGE DU CARBURANT

Mélangez le carburant avec une huile deux temps Genuine Factory Parts placée dans un conteneur agréé. Utilisez le tableau des mélanges pour les proportions correctes carburant/huile. Secouez le conteneur pour assurer un bon mélange.

G Un manque de lubrifiant annule la garantie de moteur.

4-3. SYMBOLES DE CARBURANT ET LUBRIFICATION

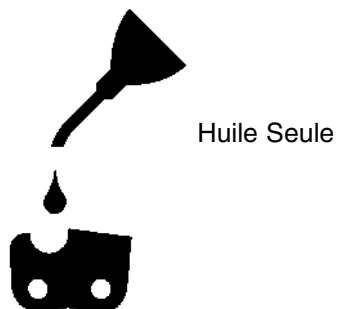
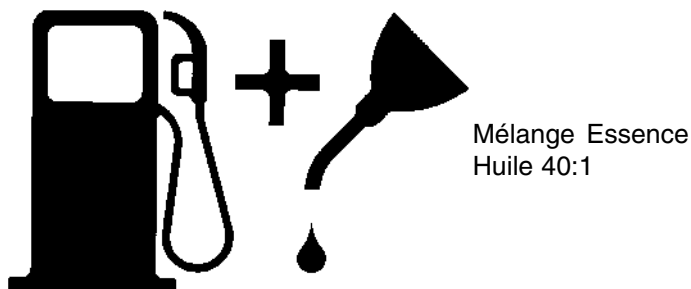


TABLEAU DES PROPORTIONS



4-4. CARBURANTS RECOMMANDES

Certains carburants conventionnels sont mélangés avec des oxydants tels l'acool ou l'éther afin de se conformer aux standards pour la pureté de l'air. Votre moteur McCulloch est conçu de manière à pouvoir utiliser toute essence pour automobile carburants avec oxydants inclus, tout en vous procurant un fonctionnement satisfaisant.

4-5. LUBRIFICATION DE LA CHAÎNE ET DU GUIDE-CHAÎNE

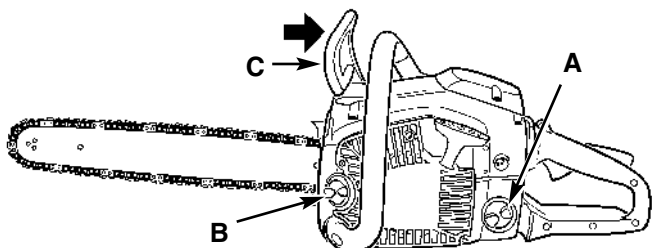
Remplissez toujours le réservoir d'huile de la chaîne à chaque fois que vous remplissez le réservoir à carburant. Nous recommandons d'utiliser l'huile pour chaînes, barres et engrenages Genuine Factory Parts, qui contient des additifs pour réduire la friction et l'usure, et qui aide à prévenir la formation de poix sur la barre et sur la chaîne.

5 - FONCTIONNEMENT

5-1. VERIFICATION DU MOTEUR AVERTISSEMENT

Ne jamais mettre en marche ou utiliser la tronçonneuse à moins que la chaîne et le guide-chaîne ne soient correctement installés.

1. Remplir le réservoir à essence (A) avec le mélange de carburants approprié (Figure 5-1A).
2. Remplir le réservoir à huile (B) avec une huile à chaîne et guide-chaîne appropriée (Figure 5-1A).
3. S'assurer que CHAIN BRAKE® est déclenché (C) avant de mettre l'outil en marche (Figure 5-1A).



5-1A

5-2. MISE EN MARCHÉ DU MOTEUR

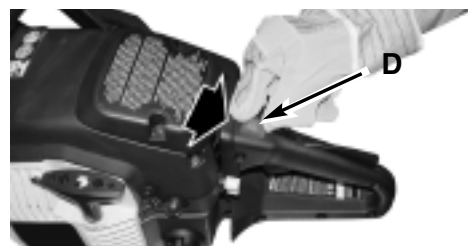
1. Slide le levier de bobine du contact ARRÊT down (Figure 5-2A).
2. Tournez le levier de bobime jusqu'au position horizontale (Figure 5-2B).
3. Ampoule d'amorce de pompe 10 fois (Figure 5-2C).
4. Tirez la corde de demarreur 4-6 fois, moteur devrait commencer (Figure 5-2D).
5. Si le moteur ne démarrait pas, tournez le levier de bobine vers le bas jusqu'à la position verticale puis répétez l'étape 4 (Figure 5-2D).
6. Quand le début de moteur, réchauffent 10 sec alors enfoncent le levier de bobine de sûreté/déclenchement de commande de puissance. La bobine automatique désengagera quand le déclenchement est tire (Figure 5-2E).
7. Libérez le déclenchement de commande de puissance pour le ralenti.

ARRÊT: Faire glisser l'interrupteur d'arrêt vers le haut.

INFORMATIONS IMPORTANTES D'IMMOBILITÉ

Dans certains cas en raison des conditions d'opération (altitude, température etc.), votre scie à chaîne peut avoir besoin d'un léger ajustement de la vitesse d'immobilisation. Après le chauffage - Consultez la section 5-3 Etape 8 du Mode d'Emploi - Si l'unité ne s'immobilise pas après le redémarrage par deux fois, suivez les étapes ci-dessous pour ajuster l'immobilisation.

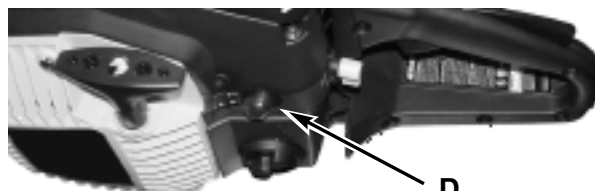
1. Accès d'ajustement d'immobilité - le symbole "T" (pour la poussée) se trouve au-dessus du trou d'ajustement (Figure 5-2L).
2. Utiliser un tournevis Phillips ou fileté - tournez par 1/4 à 1/2 dans le sens des aiguilles d'une montre (vers la droite). L'unité devrait alors s'immobiliser normalement (Figure 5-2M).



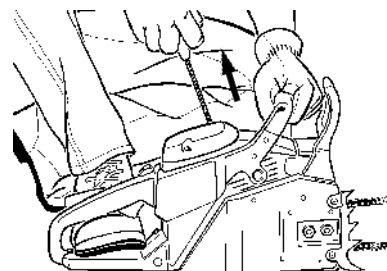
5-2A



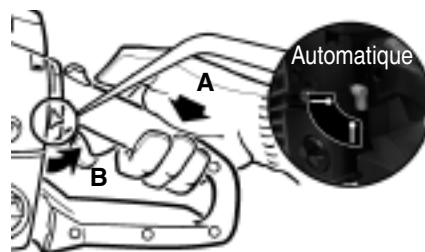
5-2B



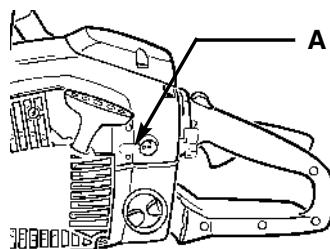
5-2C



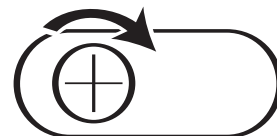
5-2D



5-2E



5-2F



5-2G

5 - FONCTIONNEMENT

5-3. REDEMARRAGE D'UN MOTEUR A CHAUD (MOINS DE 10 MINUTES DEPUIS LE DERNIER ARRET)

1. S'assurer que l'interrupteur de contact est sur la position marche.
2. Placer le starter sur la position |↗| (DEMARRAGE).
3. Appuyer 10 fois sur la pompe d'amorçage.
4. Tirer rapidement sur le cordon du lanceur à quatre reprises. Le moteur devrait démarrer.
5. Placer le starter sur la position |↑| (MARCHE).
6. Relâcher le bouton du pré-accélérateur.

5-4. ARRET DU MOTEUR

1. Relâcher la gâchette et laisser le moteur tourner au ralenti.
2. Pousser l'interrupteur vers la position ARRET (STOP).
REMARQUE : Pour un arrêt d'urgence, activer tout simplement CHAIN BRAKE® et mettre l'interrupteur en position ARRET (STOP).

ACTION CHAIN BRAKE® PAR INERTIE

REMARQUE : CETTE SCIE EST MUNIE D'UN FREIN DE CHAÎNE PAR INERTIE. SI LA SCIE REBONDIT EN COURS D'UTILISATION, L'INERTIE DU MOUVEMENT PROVOQUERA L'ACTIVATION DU FREIN. UNE BANDE DE FREIN QUI S'ENROULE AUTOUR DU TAMBOUR D'EMBRAYAGE EST ACTIVÉE ET EMPÊCHE LE MOUVEMENT DE LA CHAÎNE.

-5. TEST OPERATIONNEL DU CHAIN BRAKE®

Tester CHAIN BRAKE® périodiquement pour en assurer son bon fonctionnement.

Tester CHAIN BRAKE® avant toute coupe, après tout abattage extensif, et surtout après toute réparation.

ETAPES POUR TEST DE CHAIN BRAKE®:

1. Placer la tronçonneuse sur une surface dégagée, ferme et plane.
2. Faire démarrer le moteur.
3. Tenir fermement la poignée arrière (A) avec la main droite (Figure 5-5A).
4. Tenir fermement la poignée avant (B) [pas la manette de CHAIN BRAKE® (C)] de la main gauche (Figure 5-5A).
5. Appuyer sur la gâchette d'accélération jusqu'à la position 1/3 de gaz, puis déclencher immédiatement la manette de CHAIN BRAKE® (C) (Figure 5-5A).

AVERTISSEMENT

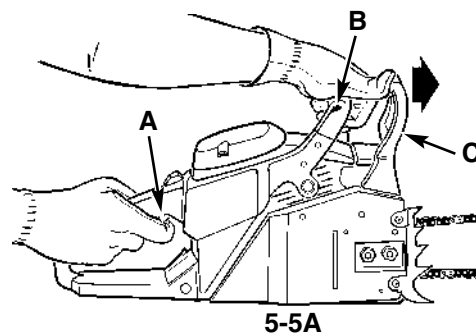
Déclencher le CHAIN BRAKE® doucement. La chaîne ne doit rien toucher aucune surface et doit rester à l'horizontale.

6. Si la chaîne s'arrête brutalement, relâchez immédiatement l'accélérateur/la gâchette.

AVERTISSEMENT

Si la chaîne ne s'arrête pas, arrêter le moteur et apporter la tronçonneuse au service après-vente le plus proche.

7. Si CHAIN BRAKE® fonctionne correctement, arrêter le moteur et DECLANCHER CHAIN BRAKE®.



5-6. LUBRIFICATION DE LA CHAÎNE ET DU GUIDE-CHAÎNE

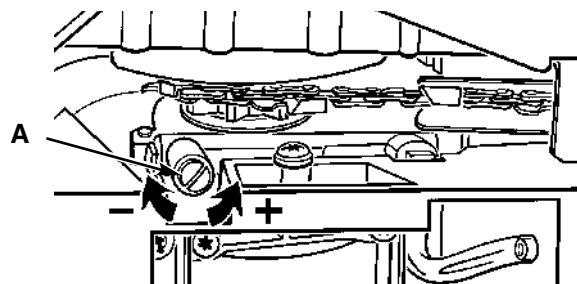
Une lubrification adéquate de la chaîne est essentielle afin de réduire toute friction avec le guide-chaîne.

Ne jamais laisser la chaîne ou le guide non lubrifiés. Utiliser la tronçonneuse sans lubrification adéquate diminue son efficacité et sa longévité, rend la chaîne émoussée et use le guide-chaîne car surchauffé. Une décoloration du guide-chaîne, de la fumée et un résidu de résine sont des évidences d'un manque d'huile.

REMARQUE: La chaîne se détend pendant son utilisation, particulièrement si elle est neuve; il est donc nécessaire de l'ajuster et de la resserrer de temps à autre. Les nouvelles chaînes doivent être ajustées après cinq minutes d'opération.

5-7. GRAISSAGE AUTOMATIQUE

Votre tronçonneuse est équipée d'un système de graissage automatique. Ce dernier fournit à la chaîne et au guide-chaîne une quantité adéquate d'huile. La coulée d'huile augmente avec l'accélération du moteur. La quantité d'huile parvenant à la chaîne et au guide-chaîne peut être ajustée en tournant la vis de réglage (A) comme indiqué sur la Figure 5-7A. Tourner la vis de réglage vers la droite pour DIMINUER la coulée d'huile, et vers la gauche pour AUGMENTER la coulée.



6 - INSTRUCTIONS POUR LA COUPE

6-1. ABATTAGE

Abattage est le terme utilisé pour indiquer que l'on coupe (abat) un arbre. De petits arbres d'environ 15 à 18cm (6-7 pouces) de diamètre sont généralement abattus en une coupe. Les arbres plus grands exigent des entailles d'abattage. Ces entailles déterminent la direction de la chute.

ABATTAGE D UN ARBRE:

AVERTISSEMENT

Il est nécessaire de prévoir une retraite (A) sûre, libre de tout obstacle avant d'entreprendre la coupe de l'arbre. Le chemin de dégagement devrait être situé à l'arrière et en diagonale de la direction de chute prévue; voir Figure 6-1A.

ATTENTION

Pour l'abattage d'un arbre sur une pente, l'utilisateur de la tronçonneuse devrait se trouver du côté ascendant du terrain, car l'arbre roulera probablement vers le bas après sa chute.

REMARQUE : L'entaille d'abattage contrôle la direction de la chute (B). Avant toute entaille, prendre en considération l'emplacement des grosses branches et l'inclinaison naturelle de l'arbre pour déterminer la direction de la chute de l'arbre.

AVERTISSEMENT

Eviter la coupe par mauvais temps, fort vent, vent changeant ou si cela peut endommager une propriété. Consulter un professionnel du métier.

Ne pas couper d'arbre s'il y a une possibilité de heurter des fils électriques ou autres. Prévenir les services publics appropriés avant toute coupe.

REGLES GENERALES A OBSERVER POUR L'ABATTAGE:

En principe, l'abattage se divise en 2 opérations: l'entaille (C) et le trait d'abattage (D).

Toujours commencer par le trait diagonal (du haut) de l'entaille d'abattage (C), du côté choisi pour la chute de l'arbre (E). Eviter de scier trop profondément l'entaille horizontale (du bas).

L'entaille d'abattage (C) doit être suffisamment ouverte pour créer une charnière (F) assez forte de largeur suffisante et pour guider la chute de l'arbre aussi longtemps que possible.

AVERTISSEMENT

Ne jamais marcher devant un arbre entaillé.

Scier le trait d'abattage (D) de l'autre côté du tronc, 3 à 5cm (1,5 à 2,0 po) au-dessus de l'entaille d'abattage (C) (Figure 6-1B).

Ne jamais scier le tronc de part en part. Toujours laisser une charnière. La charnière guide l'arbre. Si le tronçest scié de part en part, l'arbre s'abattra de manière incontrôlée.

Enfoncer des cales ou un levier d'abattage dans le trait sans attendre que l'arbre devienne instable et commence à bouger. Ceci évite le pincement de la pointe du guide-chaîne dans le trait d'abattage au cas où la direction de la chute aurait été mal calculée. S'assurer que personne ne se trouve dans la zone de chute avant de donner l'impulsion finale.

AVERTISSEMENT

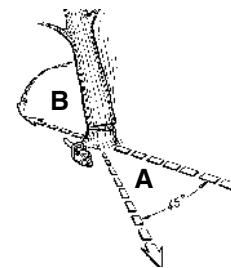
Avant la dernière entaille, s'assurer qu'il n'y ait aucun animal, obstacle ou individu dans les zones possibles de chute.

TRAIT D'ABATTAGE:

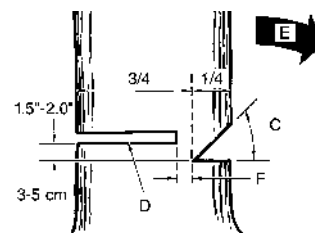
1. Utiliser des cales de bois ou plastique (G) pour empêcher la chaîne ou le guide-chaîne (H) de se coincer dans le trait d'abattage. Les cales contrôlent aussi la chute (Figure 6-1C).
2. Si le diamètre du tronc à couper est supérieur à la longueur du guide-chaîne, faire 2 entailles comme indiqué sur l'illustration (Figure 6-1D).

AVERTISSEMENT

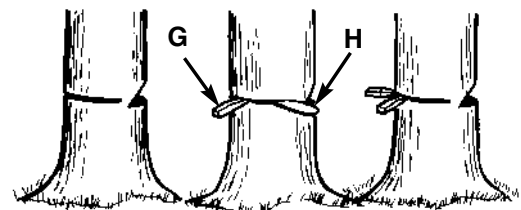
Lorsque le trait d'abattage se rapproche de la charnière, l'arbre devrait commencer à tomber. A ce moment, enlever la tronçonneuse de la coupe, arrêter le moteur, déposer la tronçonneuse, et quitter les lieux, utilisant votre voie de retraite (Figure 6-1A).



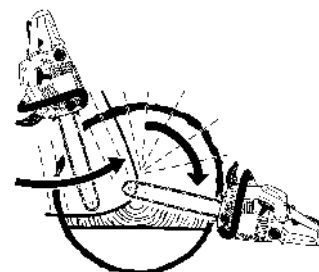
6-1A



6-1B



6-1C



6-1D

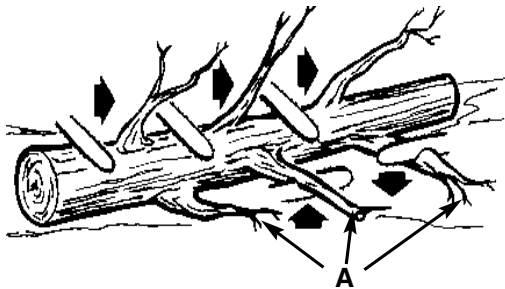
6 - INSTRUCTIONS POUR LA COUPE

6-2. EBRANCHAGE

Nous entendons par ébranchage le fait de débarrasser un arbre abattu de ses branches. Ne pas scier les branches de support (A) avant le tronçonnage de l'arbre (Figure 6-2A). Les branches sous tension devraient être sciées de bas en haut pour éviter de coincer la chaîne.

AVERTISSEMENT

Ne jamais scier de branches en se tenant sur le tronc.



6-2A

6-3. TRONÇONNAGE

Nous entendons par tronçonnage la découpe d'un tronc abattu. S'assurer d'avoir une bonne assise et de se trouver derrière le tronc quand le terrain est incliné. L'extrémité à scier devrait, si possible, ne pas reposer sur le sol, mais être supportée. Si le tronc est supporté aux deux extrémités et que la coupe doit se faire au milieu, faire une coupe vers le bas et jusqu'au milieu, puis faire la coupe par en-dessous. Ceci empêche le bois de coincer la chaîne ou guide-chaîne. Faire attention à ne pas scier jusque dans le sol car la chaîne s'émoussera rapidement.

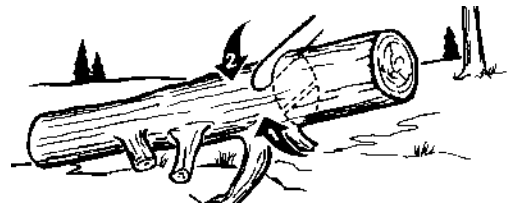
Pour le tronçonnage sur pente, se placer toujours vers le haut.

1. Si le tronc est supporté sur toute sa longueur: Il peut être tronçonné à partir du dessus. Éviter de plonger le guide-chaîne dans la terre (Figure 6-3A).
2. Tronçonnage d'un tronc supporté à une extrémité: Effectuer d'abord une coupe par le dessous (sous-coupe) sur du diamètre, de manière à éviter l'éclatement du bois. Ensuite, effectuer une coupe par dessus (sur-coupe) pour joindre la première coupe et éviter tout coinçage (Figure 6-3B).
3. Tronçonnage d'un tronc supporté aux deux extrémités: Effectuer d'abord une coupe par dessus sur du diamètre de façon à éviter l'éclatement du bois. Ensuite, effectuer une coupe par dessous (sous-coupe) pour joindre la première coupe et éviter tout coinçage (Figure 6-3C).

REMARQUE : Un chevalet est le meilleur support pour tronçonnage. Si cela n'est pas possible, soutenir le tronc par des bûches ou par les chicots des branches. S'assurer que le tronc à couper est bien supporté.



6-3A



6-3B



6-3C

6-4. TRONÇONNAGE SUR CHEVALET

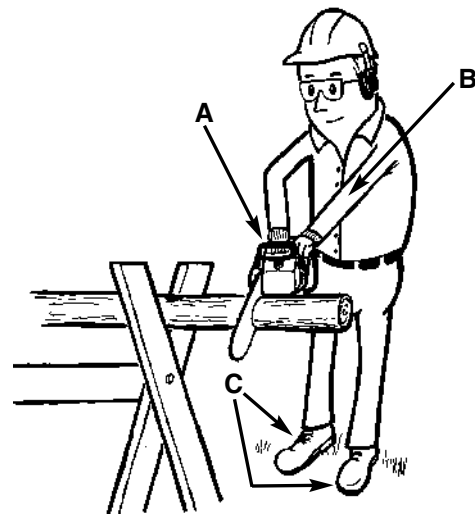
Pour votre sécurité, et pour la facilité de coupe, une position correcte est essentielle lors de tout tronçonnage vertical (Figure 6-4A).

COUPE VERTICALE:

- A. Tenir la tronçonneuse fermement, des deux mains et placer la tronçonneuse sur votre droite pendant la coupe.
- B. Garder le bras gauche aussi droit que possible.
- C. Votre poids doit reposer sur les deux pieds.

ATTENTION

S'assurer que la chaîne et guide-chaîne soient lubrifiés pendant la durée de la coupe.



6-4A

7 - ENTRETIEN

Toutes les réparations de la scie à chaîne, autres que les éléments mentionnés ici dans les instructions de maintenance de votre manuel de l'utilisateur, doivent être effectuées par le Centre de maintenance agréé le plus proche de chez vous.

7-1. ENTRETIEN PREVENTIF

Un bon programme d'entretien préventif à inspections et soins réguliers augmenteront la longévité et amélioreront la performance de votre tronçonneuse McCulloch. Cette liste de vérifications d'entretien est un guide pour un tel programme.

Le nettoyage, les réglages et le remplacement des pièces peuvent, dans certaines circonstances, être requis plus fréquemment qu'il ne l'est indiqué.

LISTES DES VERIFICATIONS D'ENTRETIEN		CHAQUE USAGE	HEURES D'OPERATION	
			10	20
PIECE	ACTION			
VIS / ECROUS / BOULONS	INSPECTER / RESSERRER	✓		
FILTRE A AIR	NETTOYER OU REMPLACER		✓	
FILTRE ESSENCE / FILTRE A HUILE	REEMPLACER			✓
BOUGIE	NETTOYER / REGLER / REMPLACER		✓	
ECRAN PARE-ETINCELLES	INSPECTER	✓		
	REEMPLACER SUIVANT LES BESOINS		✓	
DURITS D'ESSENCE	INSPECTER	✓		
	*REEMPLACER SUIVANT LES BESOINS			
COMPOSANTS DE CHAIN BRAKE®	INSPECTER/INSPECT	✓		
	*REEMPLACER SUIVANT LES BESOINS			

*Recommandé pour maintenance par un technicien d'un Centre de maintenance agréé.

7 - ENTRETIEN

7-2. FILTRE A AIR **ATTENTION**

Ne jamais utiliser la tronçonneuse sans filtre à air. Terre et poussières seraient aspirées à l'intérieur du moteur et l'abîmeraient. Garder le filtre à air propre!

NETTOYAGE DU FILTRE A AIR:

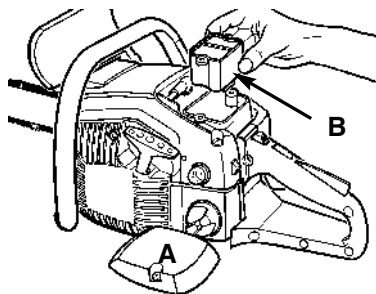
1. Retirer le couvercle du haut (A) et sortir le filtre à air (B) (Figure 7-2A)
2. Nettoyer le filtre a air. Le laver dans de l'eau propre, tiède et savonneuse. Rincer à l'eau fraîche. Laisser sécher à l'air.

REMARQUE : Il est recommandé d'avoir des filtres de rechange.

3. Placer le filtre à air. Placer le couvercle du haut. S'assurer que le couvercle est bien en place. Serrer fermement les vis de fixation du couvercle.

AVERTISSEMENT

Ne jamais commencer un entretien quand le moteur est chaud. Vous risqueriez de vous brûler les mains et doigts.



7-2A

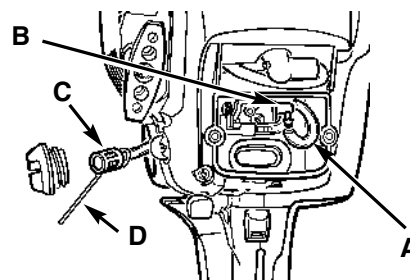
7-3. FILTRE A ESSENCE **ATTENTION**

Ne jamais utiliser la tronçonneuse sans filtre essence. Le filtre essence doit être remplacé après 20 heures d'utilisation. Vider entièrement le réservoir à carburant avant de changer le filtre.

1. Enlever le couvercle du boîtier du filtre à air comme dans la Section 7-2.
2. Déconnecter le tuyau de carburant (A) de l'embout (B) du carburateur.
3. Tirer le filtre à essence (C) du réservoir à l'aide d'un fil de fer tordu (D) ou d'une pince à long bec. Enlever le filtre et le jeter.

REMARQUE : Ne pas entièrement retirer le tuyau du réservoir.

4. Installer un nouveau filtre à essence et replacer l'ensemble tuyau/filtre dans le réservoir; le filtre doit se trouver dans le coin avant-droit.
5. Reconnecter le tuyau de carburant (A) à l'embout (B) du carburateur. Replacer le filtre à air et le couvercle du boîtier (Figure 7-3A).
6. Remplir le réservoir d'un nouveau mélange de carburant et d'huile. Replacer le bouchon d'essence.

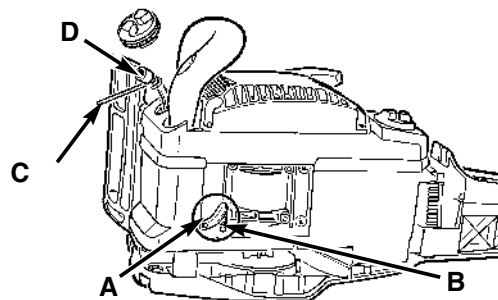


7-3A

7-4. FILTRE A HUILE

REMARQUE: Vider de réservoir d'huile avant de remplacer le filtre à huile.

1. Debrancher le tube d'huile (A) du raccord (B) de la pompe à huile.
2. Utiliser un fil muni d'un crochet (C) et sortir le filtre à huile (D) du réservoir. Sortir complètement le filtre à huile et le tube.
3. Introduire une longueur de tube dans le réservoir et le faire passer par l'ouverture de remplissage.
4. Poser un filtre à huile neuf sur le tube et remettre le tube dans le réservoir de façon que le filtre soit positionné au fond du réservoir.
5. Couper le tube à longueur et le pousser dans le raccord de la pompe à huile (Figure 7-4A).



7-4A

7 - MAINTENANCE INSTRUCTIONS

7-5. GRILLE PARE-ETINCELLES (Figure 7-5A)

REMARQUE : Une grille pare-étincelles encrassée réduirait fortement la performance du moteur.

1. Enlever les 2 écrous de fixation (E) du silencieux, les plaques (F) et le couvercle du silencieux (G).
2. Retirer la grille pare-étincelles (H) de la chicane métallique (J). Remplacer la grille.
3. Remonter les éléments du silencieux, et serrer les écrous fermement.

7-7. REGLAGE DU CARBURATEUR

Le carburateur a été réglé en usine pour une performance optimale. Si un ajustage est nécessaire, veuillez apporter votre appareil au Centre de Service Après-Vente agréé le plus proche dont vous trouverez l'adresse dans les pages jaunes de l'annuaire téléphonique.

7-6. BOUGIE

REMARQUE : Pour une bonne opération du moteur de votre tronçonneuse, les bougies doivent être propres et avoir l'écartement approprié.

1. Mettre l'interrupteur sur ARRET (STOP).
2. Enlever la première couverture. Débrancher le fil connecteur de la bougie en tirant d'un mouvement rotatif (Figure 7-6A).
3. Retirer la bougie à l'aide d'une clé tubulaire. NE PAS UTILISER D'AUTRES OUTILS.
4. Si nécessaire, contrôlez avec une jauge d'épaisseur à fils que l'écartement des points d'électrode est bien de .025" (.635mm).
5. Réinstallez une bougie neuve.

REMARQUE : Il faut utiliser une bougie de remplacement d'allumage à résistance (pièce McCulloch n° 9295-320001 champion RDJ8J ou équivalent).

REMARQUE : Ce système d'allumage par étincelle respecte toutes les exigences du Règlement sur le matériel brouilleur du Canada.

8 - ENTRETIEN DU GUIDE-CHAINE

AFFUTAGE DE LA CHAINE:

L'affûtage de la chaîne nécessite des outils spéciaux afin de garantir que les gouges sont bien affûtées avec l'angle et la profondeur corrects. Pour les utilisateurs inexpérimentés, nous recommandons de faire affûter la chaîne de scie par un professionnel du Centre de maintenance agréé le plus proche. Si vous pensez que vous pouvez sans problème affûter la chaîne de scie, vous pouvez acquérir les outils spéciaux auprès du Centre de maintenance agréé le plus proche.

8-3. INFORMATIONS CONCERNANT LE REMPLACEMENT DE LA CHAÎNE

Il peut y avoir l'autre qualité pièces de remplacement équivalentes pour atteindre de protection de dessous-de-table.

Longueur de barre	L'unité Relie
16" Bar	66 DL
18" Bar	72 DL
20" Bar	78 DL

9 - DEPANNAGE DU MOTEUR

PROBLEME	CAUSE PROBABLE	SOLUTION
L'outil ne démarre pas ou démarre et cale.	Procédure de démarrage incorrecte.	Voir les instructions du manuel d'utilisation.
	Mauvais réglage du carburateur.	Faire régler le carburateur par un service agréé.
	Bougie noyée	Nettoyer la bougie, régler l'écartement des électrodes ou remplacer la bougie.
Le moteur démarre mais manque de puissance.	Filtre à carburant colmaté.	Remplacer le filtre à carburant.
	Position du starter incorrecte.	Placer le starter sur la position RUN (MARCHE).
	Pare-étincelles encrassé.	Remplacer l'écran pare-étincelles.
	Filtre à air encrassé.	Retirer le filtre, le nettoyer et le remplacer.
Le moteur a des ratés.	Mauvais réglage du carburateur.	Faire régler le carburateur par un service agréé.
Manque de puissance sous la charge.		
Ne tourne pas régulièrement.	Mauvais réglage du carburateur.	Nettoyer la bougie, régler l'écartement des électrodes ou remplacer la bougie.
	Mauvais écartement des électrodes de la bougie.	Nettoyer la bougie, régler l'écartement des électrodes ou remplacer la bougie.
Fumée excessive.	Mauvais réglage du carburateur.	Faire régler le carburateur par un service agréé.
	Mélange huile / essence incorrect.	Utiliser un mélange adéquat (40:1).

McCULLOCH®



MANUAL DEL USUARIO

Sierras de Cadena de Gasolina

Modèle : TM502

**SEGURIDAD
OPERACION
MANTENIMIENTO**



1. Este producto se ha verificado a un ángulo de contragolpe calculado por ordenador (CKA) y cumple la normativa ANSI B175.1-2000, Annex C. CAN/CSA-Z62.1-03

ADVERTENCIA • FAVOR DE LEER

Cuidese del contragolpe. Sostenga la sierra-de-cadena firmemente con ambas monos cuando la esté usando. Por su propia seguridad, por favor lea y siga las precauciones de seguridad en este manual antes de intentar operar su sierra-de-cadena. Uso impropio puede causar serias lesiones.

PN 9096-31C203

Impreso en Taiwan

INTRODUCCION

POR FAVOR LEA

Estimado Cliente,
Gracias por comprar un producto McCulloch. Con una operación y mantenimiento adecuado, le proveerá con años de servicio.

Para hacer el mejor uso de su inversión, **ASEGURESE** de familiarizarse con **TODO** el contenido en el manual del usuario antes de intentar operar y mantener su unidad.

2. Asegúrese de que sigue las instrucciones de inicio, funcionamiento y mantenimiento de este producto que se incluyen en este manual.

En este manual se encontrarán las siguientes expresiones de advertencia: **NOTA**., **ADVERTENCIA**, **PRECAUCION** y **GARANTIA**.

Una **NOTA**: se utiliza para comunicar información adicional, para resaltar una explicación en particular, o para expandir la descripción de un paso.

ADVERTENCIA o **PRECAUCION** identifican un procedimiento el cual no debe ser tomado o en caso de ser tomado puede resultar en serias lesiones personales y/o daño a la unidad.

El **G** (**SIMBOLO DE GARANTIA**) sirve de aviso de que a menos que las instrucciones o procedimientos no sean seguidos, cualquier daño causado anulará la garantía y las reparaciones estarán a cargo del dueño.

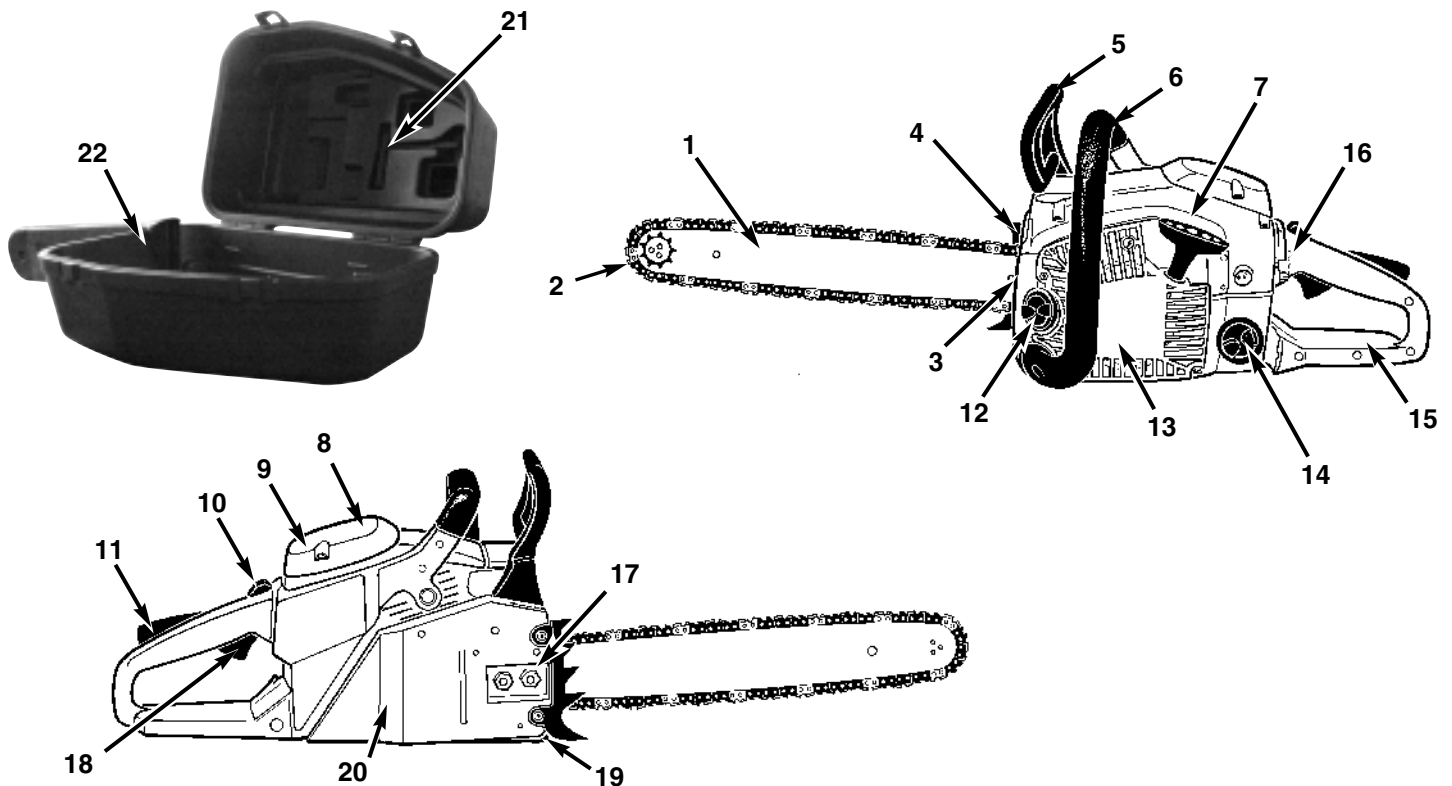
Ponga atención particular a las precauciones de seguridad. Están escritas para su protección y contienen información importante que usted debe saber para operar sin riesgo su sierra-de-cadena.

PARA GARANTÍAS O REPARACIONES, PÓNGASE EN CONTACTO CON EL CENTRO DE SERVICIO AUTORIZADO MÁS CERCANO. LOCALICE EL CENTRO DE SERVICIO MÁS CERCANO MEDIANTE EL NÚMERO GRATUITO INCLUIDO EN ESTE MANUAL.

INDICE DE CONTENIDOS

1	INFORMACION GENERAL	44
1-1.	Identificación General	
1-2.	Aspectos de Seguridad	
2	PRECAUCIONES DE SEGURIDAD	45
2-1.	Precauciones de Contragolpe	
2-2.	Otras Precauciones de Seguridad	
2-3.	Precauciones Generales de Seguridad Para los Usuarios de Sierras Mecánicas	
2-4.	Mas Acerca del Contragolpe	
2-5.	Etiquetas de Seguridad por Contragolpe	
2-6.	Símbolos Internacionales	
3	QUITAR E INSTALAR LA BARRA Y LA CADENA	49
3-1.	Instalación y desinstalación de la barra y la Cadena	
3-2.	Antes de arrancar la sierra	
3-3.	Barra de guía/cadena de la sierra/embrage	
3-4.	Ajuste de la Tensión de la Cadena de Sierra	
3-5.	Prueba Mecánica del CHAIN BRAKE®	
4	COMBUSTIBLE Y LUBRICACION	52
4-1.	Combustible	
4-2.	Mezcla de Combustible	
4-3.	Símbolos de Combustible y Lubricacion Tabla de Mezcla de Combustible	
4-4.	Combustible Recomendado	
4-5.	Lubricación de la Barra y Cadena	
5	INSTRUCCIONES DE OPERACION	53
5-1.	Puntos de Inspección para el Pre-Arranque del Motor	
5-2.	Para Arrancar el Motor	
5-3.	Para Volver a Encender el Motor Caliente	
5-4.	Para Apagar el Motor	
5-5.	Prueba Operacional del CHAIN BRAKE®	
5-6.	Lubricación de la Barra / Cadena de la Sierra	
5-7.	Aceitador Automático	
6	INSTRUCCIONES DE CORTADO GENERALES	55
6-1.	Talando	
6-2.	Desramando	
6-3.	Leñado	
6-4.	Leñado Usando un Caballete Para Aserrar	
7	INSTRUCCIONES DE MANTENIMIENTO	57
7-1.	Mantenimiento Preventivo	
7-2.	Filtro de Aire	
7-3.	Filtro de Combustible	
7-4.	Filtro de Aceite	
7-5.	Pantalla Contra Chispa	
7-6.	Bujía	
7-7.	Ajuste del Carburador	
7-8.	Almacenando una Sierra-de-Cadena	
7-9.	Retirando una Unidad el Almacenaje	
8	MANTENIMIENTO DE LA BARRA /CADENA	60
8-1.	Mantenimiento de la Barra Guía	
8-2.	Mantenimiento de la Cadena	
8-3.	Información Sobre el Recambio de la Cadena	
9	DETECCION y CORRECCION DE FALLAS DEL MOTOR . .	62
10	LISTA DE PIEZAS	63

1 - INFORMACION GENERAL



1-1. IDENTIFICACION GENERAL

1. BARRA GUIA
2. CADENA DE LA SIERRA
3. TORNILLO DE AJUSTE DE LA CADENA DE SIERRA
4. PANTALLA CONTRA CHISPA
5. MANIJA DEL CHAIN BRAKE® / GUARDAMANOS
6. MANGO FRONTAL
7. MANIJA DE ARRANQUE
8. BUJIA
9. CUBIERTA DEL FILTRO DE AIRE
10. INTERRUPTOR DE APAGADO
11. GATILLO DE SEGURIDAD
12. TAPA DEL TANQUE DE ACEITE
13. CUBIERTA DEL ARRANCADOR
14. TAPA DEL TANQUE DE COMBUSTIBLE
15. MANGO TRASERO
16. PALANCA DE ESTRANGULACION
17. TUERCAS RETENEDORAS DE LA BARRA
18. GATILLO DE ACELERACION
19. ENGANCHE DE LA CADENA
20. CUBIERTA DEL CHAIN BRAKE®
21. SCREDRWER / LLAVE
22. CAJA PORTATIL SILENCIOSA (Disponible en algunos modelos)

NOTA: Estudie su sierra y familiarícese con sus partes.

1-2. ASPECTOS DE SEGURIDAD

Los números que preceden a la descripción corresponden con los números en la página anterior para ayudarle a localizar los aspectos de seguridad.

- 2 **CADENA DE LA SIERRA DE CONTRAGOLPE BAJO** ayuda significativamente a reducir el contragolpe, o la intensidad del mismo, debido a los eslabones de resguardo y al hondo calibre especialmente diseñados.
- 4 **PANTALLA CONTRA CHISPA** retiene carbón y otras partículas inflamables sobre una distancia de 0.6mm (0.023 pulgadas) desde el flujo de escape del motor. El cumplimiento de las leyes locales, estatales y/o federales que gobiernan el uso de la pantalla contra chispa es la responsabilidad del usuario. Para información adicional vea Instrucciones de Seguridad.
- 5 **LA MANIJA DEL CHAIN BRAKE® / RESGUARDO DE LA MANO** protegen la mano izquierda del operador en caso de que se resbale el mango frontal mientras la sierra está encendida.
- 5 **CHAIN BRAKE®** es un aspecto de seguridad diseñado para reducir la posibilidad de una lesión debido a un contragolpe causado por el detenimiento de una cadena de sierra en movimiento en milisegundos. Es activado por la manija del CHAIN BRAKE®.
- 10 **EL INTERRUPTOR DE APAGADO** apaga inmediatamente el motor cuando éste tropieza. El interruptor de apagado debe de ser puesto en la posición de encendido para arrancar o rearrancar el motor.
- 11 **EL GATILLO DE SEGURIDAD** previene la aceleración accidental del motor. El gatillo de aceleración (19) no puede ser apretado a menos que el gatillo de seguridad esté presionado.
- 20 **EL ENGANCHE DE LA CADENA** reduce el peligro de una lesión en caso de que la cadena de la sierra se rompa o descarrile durante la operación. El enganche de la cadena está diseñado para interceptar el azote de una cadena.

2 - PRECAUCIONES DE SEGURIDAD

PRECAUCIONES DE SEGURIDAD PARA USUARIOS DE SIERRA-DE-CADENA (ANSI B175.1-2000, Annex C, CAN/CSA-Z62.1-03)

2-1. PRECAUCIONES DE CONTRAGOLPE ADVERTENCIA

El contragolpe puede ocurrir cuando la punta de la barra de guía entra en contacto con un objeto o cuando la madera se cierra y empuja la cadena de la sierra en el corte. Si la punta de la barra entra en contacto con algo, puede que se produzca una reacción inversa de gran velocidad que haga que la barra de guía se eleve y se vuelva en dirección al usuario. Si se empuja la cadena de la sierra a lo largo de la barra de guía, se puede provocar que la barra de guía se vuelva en dirección al usuario. Cualquiera de estas reacciones puede provocar que pierda el control de la sierra, lo que puede producir graves lesiones en las personas. No confíe exclusivamente en los dispositivos de seguridad instalados en la sierra. Como usuario de una sierra mecánica, debe tomar varias medidas para evitar que se produzcan accidentes o lesiones en las personas al usarla.

1. Con una comprensión básica del contragolpe, usted puede reducir o eliminar el elemento de sorpresa. La sorpresa repentina contribuye a los accidentes.
2. Mantenga un agarre firme sobre la sierra con ambas manos, la mano derecha en el mango posterior, y la mano izquierda en el mango frontal, cuando la sierra este encendida. Utilice un agarre firme con el pulgar y dedos alrededor de los mangos de la sierra-de-cadena. Un agarre firme le ayudará a reducir el contragolpe y mantener el control de la sierra. No lo suelte.
3. Asegúrese de que el área donde este cortando esté libre de obstrucciones. No deje que la nariz de la barra haga contacto con un tronco, rama, o cualquier otra obstrucción que pueda ser golpeada mientras usted se encuentra operando la sierra.
4. Corte solo a altas velocidades del motor.
5. No trate de sobrepasar o cortar arriba de la altura del hombro.
6. Siga las instrucciones de afilado y mantenimiento del fabricante para la cadena de la sierra.
7. Utilice solamente barras y cadenas especificadas por el fabricante o el equivalente.

NOTA: La cadena de contragolpe bajo cumple con las normas de funcionamiento requeridos por ANSI B175.1-2000 (Estándar Nacional Americano para Herramientas de Poder, Sierras-de-Cadena con potencia Operadas por Gasolina y Requisitos de Seguridad). En base a pruebas con muestra representativa de sierras de cadena debajo de 3.8 pulgadas cúbicas de desplazamiento, especificados en ANSI B175.1-2000.

2-2. OTRAS PRECAUCIONES DE SEGURIDAD

1. ¡NO opere la sierra-de-cadena con una mano! Serías lesiones al operador, ayudantes, espectadores, o cualquier combinación de estas personas puede resultar por la operación con una mano. La sierra-de-cadena está destinada para el uso con dos manos.
2. NO opere la sierra-de-cadena cuando se encuentre fatigado.
3. Utilice calzado de seguridad, ropa entallada, guantes de protección, y mecanismos de protección para la cara, oído y cabeza.
4. Utilice precaución cuando maneje combustible. Retire la sierra-de-cadena por lo menos 9.1 m (30 pies) del punto donde carga combustible antes de encender el motor.
5. NO permita que otras personas se encuentren cerca cuando arranque o corte con la sierra-de-cadena. Mantenga espectadores y animales fuera del área de trabajo.
6. NO empiece a cortar hasta que no tenga una área de trabajo despejada, se encuentre seguramente parado, y haya planeado el sendero de retirada del árbol que está cayendo.
7. Mantenga todas las partes de su cuerpo alejadas de la cadena de la sierra cuando el motor éste encendido.
8. Antes de arrancar el motor, asegúrese que la cadena de la sierra no este haciendo contacto con ningún objeto.
9. Transporte la sierra-de-cadena con el motor apagado, la barra guía y la cadena de la sierra hacia atrás, y el mofle alejado de su cuerpo.
10. NO opere la sierra-de-cadena cuando este dañada, impropriadamente ajustada, o no segura y completamente ensamblada. Asegúrese de que la cadena de la sierra deje de moverse cuando el gatillo de aceleración sea liberado.
11. Apague el motor antes de poner la sierra-de-cadena en el suelo.
12. Use extrema precaución cuando corte arbustos pequeños, porque material delgado puede ser atrapado por la cadena de la sierra y azotarlo, o hacerle perder el balance.
13. Cuando corte ramas que contengan tensión, este alerta del resorteo para que usted no sea golpeado cuando la tensión de las fibras de la madera sea liberada.
14. Mantenga los mangos limpios, secos y libres de aceite y mezcla de combustible.
15. Opere la sierra-de-cadena solamente en áreas con buena ventilación.
16. NO opere la sierra-de-cadena en un árbol a menos que usted haya sido especialmente entrenado para hacerlo.

2 - PRECAUCIONES DE SEGURIDAD

17. Todo el servicio de la sierra-de-cadena, además de los artículos listados en las instrucciones de seguridad y mantenimiento en el manual del usuario, deberán ser ejecutadas por un personal de servicio de sierra-de-cadena competente.
18. Cuando transporte su sierra-de-cadena, utilice la funda apropiada para la barra guía.
19. NO OPERE SU SIERRA DE CADENA cerca o alrededor de líquidos o gases inflamables, aunque se encuentre en ambientes cerrados o al aire libre. Una explosión y/o incendio puede resultar.
20. UTILICE LA HERRAMIENTA ADECUADA: Corte solamente madera. No utilice la sierra de cadena para propósitos para los cuales no fue diseñada. Por ejemplo, no utilice la sierra de cadena para cortar plásticos, mampostería, o materiales que no sean para la construcción.
21. No añada carburante o aceite lubricante a la sierra mientras el motor esté funcionando.

NOTA: Estas precauciones de seguridad tienen como primer destinatario al consumidor o usuario ocasional. Si se utiliza la sierra mecánica para explotación forestal, consulte la sección 1910.226 (5) 2.5.1., en el Code of Federal Regulations de los American National Standard Safety Requirements para obtener información sobre explotación maderera en ANSI O3.1-1978 y en otras normas de seguridad relevantes del estado. CSA ha clasificado estos modelos como sierra de Clase 1C. Se han diseñado para uso infrecuente en hogares, casas de campo, acampadas y para fines de uso general como limpiar, podar, cortar leña, etc. No se han diseñado para un uso prolongado. Si se utiliza de manera prolongada, puede provocar problemas circulatorios en las manos del usuario debido a la vibración. Todos los modelos explicados en este manual incluyen una función antivibratoria para aumentar la comodidad y seguridad de los aparatos.

2-3. PRECAUCIONES GENERALES DE SEGURIDAD PARA LOS USUARIOS DE SIERRAS MECÁNICAS

1. El cansancio produce descuidos. Sea más cuidadoso antes de los periodos de descanso y hacia el final de su turno de trabajo.
2. Debe utilizar las prendas de seguridad especificadas por las autoridades, organizaciones de seguridad o por las normas en el trabajo. Siempre que utilice una sierra mecánica, debe utilizar prendas ajustadas, protección ocular, calzado y guantes de seguridad, así como protección en las piernas y en los oídos.
3. Antes de repostar combustible, reparar o transportar la sierra mecánica, apague el motor. Para evitar posibles incendios, vuelva a encender la sierra mecánica a una distancia de 9.1m. de la zona donde repostó combustible.
4. Cuando utilice una sierra mecánica, debe tener disponible un extintor.
5. Cuando utilice la sierra para talar, manténgase a una distancia de al menos 2 árboles de sus compañeros de trabajo.
6. Planifique su trabajo de manera que no haya obstáculos en la zona de trabajo y, si se dispone a talar, tenga al menos una ruta de escape del árbol que va a caer.
7. Siga las instrucciones del manual de usuario para encender la sierra mecánica y contrólela agarrando firmemente ambas asas. Mantenga las asas secas, limpias y sin aceite.
8. Cuando transporte la sierra mecánica, utilice las protecciones de transporte apropiadas que están disponibles para la barra de guía y la cadena de la sierra.
9. Nunca utilice una sierra mecánica que esté dañada o ajustada incorrectamente o que no se haya montado completamente o sin seguridad. Asegúrese de que la cadena de la sierra deja de moverse cuando se acciona el interruptor del sistema de control de encendido/apagado .
Nunca ajuste la barra de guía o la cadena de la sierra cuando el motor está funcionando.
10. Tenga cuidado con las intoxicaciones por monóxido de carbono. Utilice la sierra mecánica sólo en zonas ventiladas correctamente.
11. No intente podar o talar árboles si no le han enseñado a hacerlo expresamente.
12. Tenga cuidado con los contragolpes. El contragolpe es un movimiento ascendente de la barra de guía que tiene lugar cuando la cadena de la sierra, en su extremidad, entra en contacto con un objeto. El contragolpe puede producir una peligrosa pérdida del control sobre la sierra mecánica.
13. La sierra mecánica se ha diseñado para que se utilice con ambas manos. Si se utiliza con una mano, puede producir heridas de gravedad al usuario, asistente o los que estén a su alrededor.
14. Consulte la sección 2-5, 2-6 en las páginas 14 y 15 para obtener información sobre los símbolos.
15. Cuando transporte una sierra mecánica con el motor encendido, active el freno de la cadena.
16. Deje que la sierra mecánica se enfríe antes de repostar carburante. No fume.
17. Mantenga a otras personas o animales a una distancia de seguridad de la sierra mecánica en funcionamiento o de la zona en la que se talan árboles.
18. Extrema las precauciones cuando corte maleza o árboles pequeños ya que las piezas pequeñas o las astillas pueden entrar en contacto con la cadena y saltar en dirección a usted.
19. Cuando corte una rama que esté bajo presión o compresión, tenga cuidado porque puede saltar en dirección a usted.

2 - PRECAUCIONES DE SEGURIDAD

20. Esta sierra de gasolina ha sido clasificada como Clase 1C por la CSA. Se ha diseñado para uso infrecuente en hogares, casas de campo, acampadas y para fines de uso general como limpiar, podar, cortar leña, etc. No se ha diseñado para un uso prolongado. Si se utiliza de manera prolongada, puede provocar problemas circulatorios en las manos del usuario debido a la vibración. Para un uso prolongado, puede que sea necesario utilizar una sierra con una función antivibratoria.

2-4. MAS ACERCA DEL CONTRAGOLPE ADVERTENCIA

¡PELIGRO! ¡CUIDARSE DEL CONTRAGOLPE!

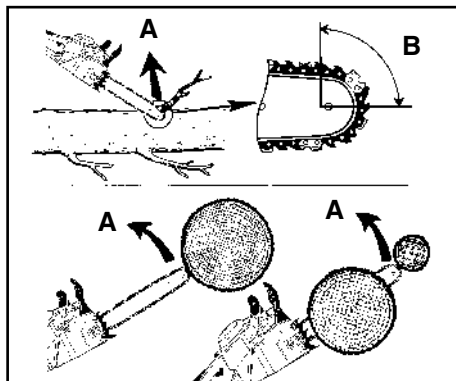
El contragolpe puede conducir a peligrosa pérdida de control de la sierra-de-cadena y resultar en serias o fatales lesiones al operador de la sierra o cualquier persona que se encuentre cerca. Siempre esté alerta. El contragolpe rotacional y el contragolpe por pellizco, son los mayores peligros operacionales de la sierra-de-cadena, y la causa principal de la mayoría de los accidentes.

CUIDESE DE:

EL CONTRAGOLPE (Figura 2-4A)

A = Sendero del contragolpe

B = Zona de reacción del contragolpe



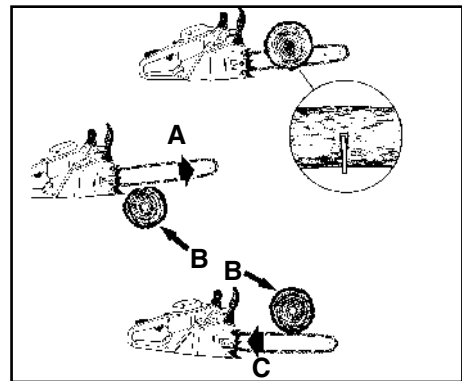
2-4A

EL EMPUJE (CONTRAGOLPE DE PELLIZCO) Y LAS REACCIONES DE JALADO (Figura 2-4B)

A = Jalado

B = Objetos solidos

C = Empuje



2-4B

EL CONTRAGOLPE puede ocurrir cuando la NARIZ o la PUNTA de la barra guía toca un objeto, o cuando la madera se cierra y pellizca la cadena al momento del corte.

El contacto de la punta algunas veces puede causar una reacción reversiva relámpago, pateando la barra guía hacia arriba y atrás hacia el operador.

EL PELLIZCADO de la cadena de la sierra a lo largo de la BASE de la barra guía puede JALAR la sierra hacia adelante lejos del operador. PELLIZCANDO la cadena de la sierra a lo largo de la PUNTA de la barra guía puede EMPUJAR la barra guía rápidamente para atrás hacia el operador.

Cualquiera de estas reacciones puede causar que usted pierda el control de la sierra, lo cual puede resultar en



ADVERTENCIA



El escape del motor de este producto contiene sustancias químicas que el Estado de California sabe que causa cáncer, defectos de nacimiento u otros daños reproductivos.

serias lesiones personales.

2 - MEASURES DE SECURITE

2-5. ETIQUETAS DE SEGURIDAD POR CONTRAGOLPE

Su Sierra-de-Cadena McCulloch esta proveída con una etiqueta de seguridad localizada en la MANIJA DEL CHAIN BRAKE®. Esta etiqueta, junto con las instrucciones de seguridad en estas páginas, deberán ser leídas antes de intentar operar estas unidades.

COMO LEER SIMBOLOS Y COLORES:

ROJO ADVERTENCIA

Utilizado para prevenir de un procedimiento inseguro que no deberá ser ejecutado.

GREEN RECOMENDACION

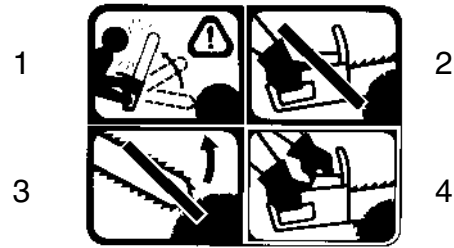
Procedimientos de corte recomendados.

ADVERTENCIA (Figura 2-5A)

1. Cuidado con el contragolpe.
2. No intente sostener la sierra con una mano.
3. Evite el contacto con la cabeza de barra.

RECOMENDACION

4. Sostenga la sierra adecuadamente con ambas manos.



2-5A

2-6. SIMBOLOS INTERNACIONALES



Lea el Manual del Usuario.



Use proteccion ocular, auditiva y en su cabeza



Póngase guantes de trabajo para la protección de las manos.



Póngase zapatos de seguridad para la protección de los pies.

El uso de estos articulos de seguridad personal es altamente recomendado para reducir el riesgo de lesiones accidentales.

3 - QUITAR E INSTALAR LA BARRA Y LA CADENA

3-1. INSTALACIÓN Y DESINSTALACIÓN DE LA BARRA Y LA CADENA

Necesitará las siguientes herramientas para trabajar en su motosierra:

1. Combinación de desarmador (contenido en el juego del usuario o llevar la cubierta).
2. Guantes de trabajo pesado (proveídos por el usuario).

3-2. ANTES DE ARRANCAR LA SIERRA

Su nueva motosierra debe ser ajustada de la cadena, y debe llenar de gasolina con gasolina debidamente mezclada con aceite de dos tiempos y debe también llenar el tanque de aceite con aceite lubricante para cadena, todo esto antes de pretender encender su motosierra.

ADVERTENCIA

NO arranque el motor de la cadena de la sierra hasta que no se encuentre propiamente ensamblado con la barra y la cadena.

Lea todo el manual del usuario antes de intentar operar su unidad. Ponga particular atención a todas las precauciones de seguridad.

Su manual es una guía de referencia y manual que le proporciona información general para el ensamblado, operación, y mantenimiento de su sierra.

3-3. BARRA DE GUÍA/CADENA DE LA SIERRA/EMBRAGUE

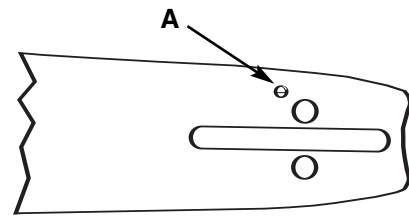
ADVERTENCIA

Siempre utilice guantes de protección cuando maneje la sierra.

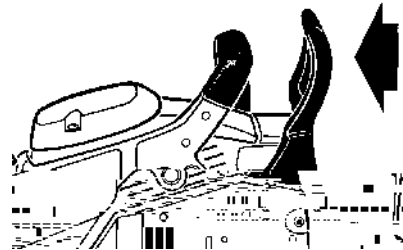
PRECAUTION

Para asegurar que la cadena y la barra reciben aceite, USE ÚNICAMENTE EL ESTILO ORIGINAL DE BARRA con el hoyo de paso del aceite (A) como se ilustra arriba (Figura 3-3A).

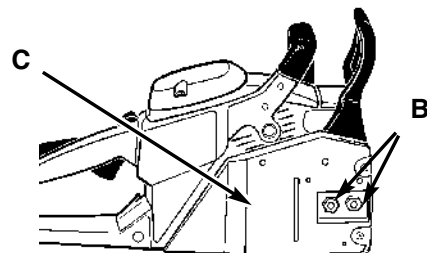
1. Asegúrese que la manija del CHAIN BRAKE[®] sea jalada hacia atrás a la posición de DESENGANCHE (Figura 3-3B).
2. Remueva las 2 tuercas (B) que retienen la barra. Retire la cubierta (C) del CHAIN BRAKE[®] (Figura 3-3C). Quite plato exterior de barra de guía (M). (Figura 3-3K)
3. Quite la cadena y la barra con cuidado.
4. Usando un desarmador, corra el tornillo de ajuste (D) en DIRECCION CONTRARIA DE LAS MANECILLAS DEL RELOJ hasta que la (E) ESPIGA (punta de proyección) se encuentre al final de su recorrido hacia el tambor del embrague y el piñon (Figura 3-3D).
5. Deslice el extremo de la barra guía sobre los dos tornillos (F) de la barra. Ponga la barra de manera que la ESPIGA de ajuste se ajuste dentro del orificio (G) interior de la barra guía (Figura 3-3E).
6. Extienda la cadena en forma de lazo con el filo de cortado (H) apuntando en DIRECCION DE LAS MANECILLAS DEL RELOJ a lo largo del lazo (Figura 3-3F).



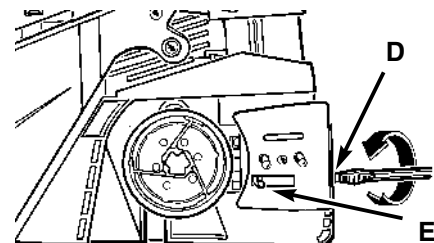
3-3A



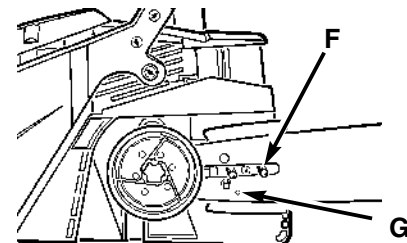
3-3B



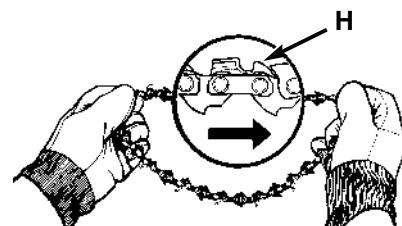
3-3C



3-3D



3-3E

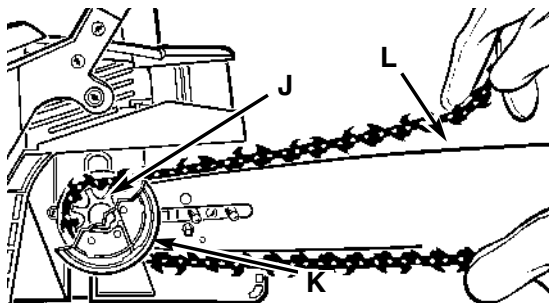


3-3F

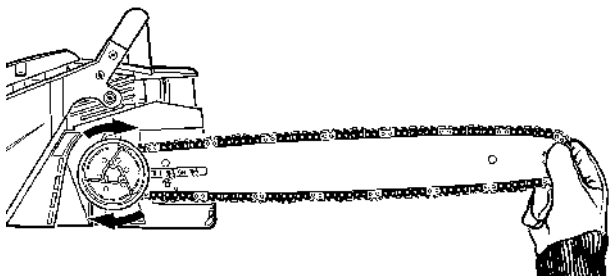
3 - QUITAR E INSTALAR LA BARRA Y LA CADENA

- Deslice la cadena alrededor de la rueda dentada (J) atrás del embrague (K). Asegúrese que los eslabones se ajusten dentro de los dientes de la rueda dentada (Figura 3-3G).
- Guíe los eslabones dentro de la ranura (L) y alrededor del final de la barra (Figura 3-3G).
- La Cadena este muy ajysta, asi usted pues tener girar el embrague de izquierda a derecha a mano para que la cadena encaje en la rueda dentada de la barra (Figura 3-3H).
- Haga una inspección para asegurarse de que la espiga (E) esté en el orificio de ajuste de la barra. (Figura 3-3J).
- Reemplace el plato (M) sean dirigidos lejos de la cadena (Figura 3-3K).
- Instale el perno sobre la cubierta del CHAIN BRAKE® como se ilustra en la Figura 3-3L (Accesorio Opcional).
- Instale la cubierta del CHAIN BRAKE®. Asegúrese que la cadena no se salga de la barra. Instale las 2 tuercas con la mano y siga las instrucciones para el ajúsre de tensión en la Sección 3-4, pagine 19.

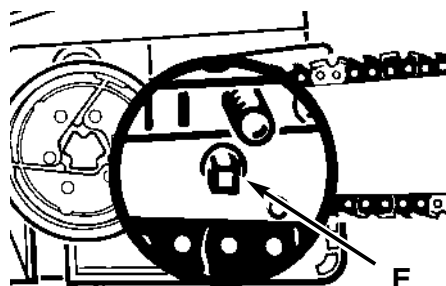
NOTA: Las tuercas de la barra guía son instaladas con la presión de la mano solamente a este punto, porque el ajúsre de la cadena de la sierra es requeride.



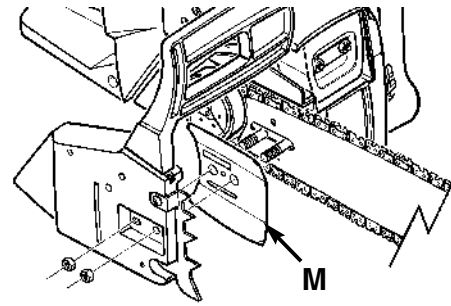
3-3G



3-3H



3-3J



3-3K

3-4. AJUSTES DE TENSION DE LA CADENA DE LA SIERRA

Una tensión propia de la cadena de la sierra es extremadamente importante y debe de ser revisada antes de arrancar, al igual que durante cualquier operación de corte.

El tomar tiempo para hacer los ajustes necesarios para la cadena de la sierra resultara en un mejor rendimiento y una vida prolongada para su cadena.

PRECAUCION

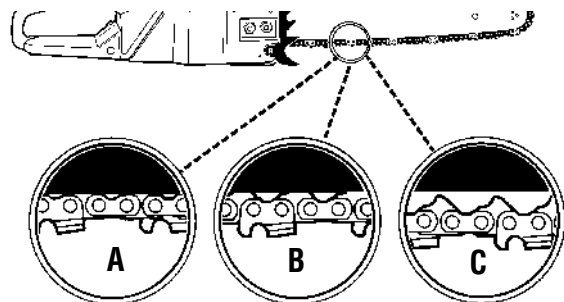
Una nueva cadena de la sierra se estira, requiriendo ajustes después de por lo menos 5 cortes. Esto es normal en una cadena nueva, y el intervalo dentro de los próximos ajustes se alargará pronto.

ADVERTENCIA

Siempre utilice guantes de trabajo pesado cuando maneje o haga ajustes en la cadena de la sierra.

PRECAUCION

Si la cadena de la sierra se encuentra MUY SUELTA o MUY APRETADA, la rueda dentada, barra, cadena y los rodamientos de el cigñal se desgastaran mas rápidamente. Estudie la Figura 3-4A para información respecto a la tensión fría correcta (A), tensión caliente correcta (B), y como una guía para cuando la cadena de la sierra requiera algún ajúsre (C).



3-4A

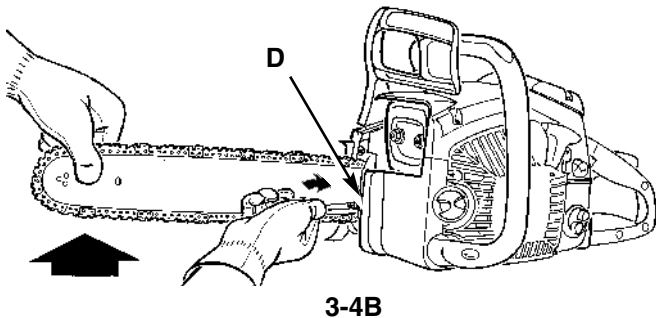
3 - QUITAR E INSTALAR LA BARRA Y LA CADENA

PARA AJUSTAR LA CADENA DE LA SIERRA:

1. Afloje la barra que retiene nueces (Figura 3-3C). Sostenga la nariz de la barra guía hacia arriba y dé vuelta al tornillo de ajuste (D) en DIRECCION DE LAS MANECILLAS DEL RELOJ para incrementar la tensión de la cadena. Dando vuelta al tornillo en DIRECCION CONTRARIA DE LAS MANECILLAS DEL RELOJ reducirá la suma de la tensión de la cadena. Asegúrese que la cadena se amolde ordenadamente todo el camino alrededor de la barra (Figura 3-4B).
2. Después de hacer el ajuste, y mientras sostiene la nariz de la barra en la posición más alta, apriete firmemente las tuercas retenedoras de la barra. La cadena tiene la tensión correcta cuando se amolda ordenadamente alrededor y puede ser jalada alrededor por una mano con guante.

NOTA: Si la cadena tiene dificultades al ser rotada en la barra guía o si se dobla, mucha tensión ha sido aplicada. Esto requiere un ajuste menor como sigue:

- A. Afloje las 2 tuercas retenedoras de la barra para que queden apretadas con los dedos. Reduzca la tensión dándole vueltas lentamente al tornillo de ajuste de la barra en DIRECCION CONTRARIA A LAS MANECILLAS DEL RELOJ. Mueva la cadena hacia adelante y hacia atrás en la barra. Continúe el ajuste hasta que la cadena rote libremente, pero se amolde ordenadamente. Incremente la tensión dándole vueltas al tornillo de ajuste de la barra en DIRECCION DE LAS MANECILLAS DEL RELOJ.
- B. Cuando la cadena de la sierra tenga la tensión apropiada, sostenga la nariz de la barra en la posición mas alta y apriete firmemente las 2 tuercas retenedoras de la barra.



3-5. PRUEBA MECANICA DEL CHAIN BRAKE®

Su sierra-de-cadena está equipada con un CHAIN BRAKE® que reduce la posibilidad de una lesión debida a un contragolpe. El freno es activado si se aplica presión contra la manija del freno cuando, en el evento de un contragolpe, la mano del operador golpea la manija. Cuando el freno es accionado, el movimiento de la cadena se detiene bruscamente.

ADVERTENCIA

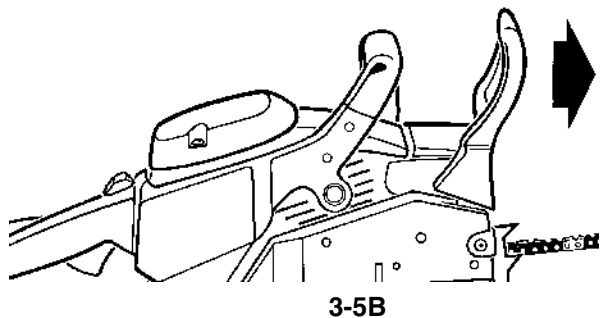
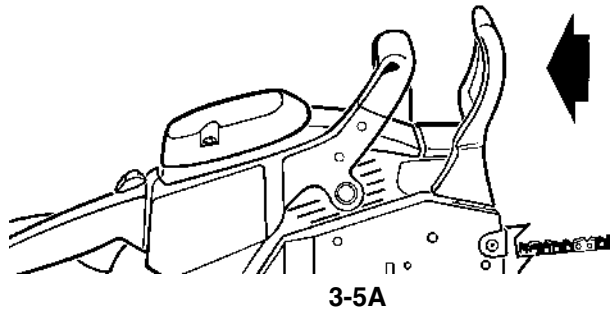
El propósito del CHAIN BRAKE® es el de reducir la posibilidad de una lesión debida a un contragolpe; de cualquier manera, no puede proveer la cantidad de protección si la sierra es operada sin precaución.

Siempre pruebe el CHAIN BRAKE® antes de utilizar su sierra y periódicamente durante el trabajo.

Para Probar el CHAIN BRAKE®:

1. El CHAIN BRAKE® está DESENGANCHADO (la cadena se puede mover) cuando la MANIJA DEL FRENO ES JALADA HACIA ATRAS Y ASEGURADA (Figura 3-5A).
2. El CHAIN BRAKE® esta ENGANCHADO (la cadena es detenida) cuando la manija del freno se encuentra hacia adelante. Usted no deberá poder mover la cadena (Figura 3-5B).

NOTA: El nivelador del freno debe encajar en ambas posiciones. Si encuentra resistencia o el nivelador no encaja en ninguna de las dos posiciones, no utilice la sierra. Llévela inmediatamente a un centro de servicio autorizado para que la reparen.



4 - COMBUSTIBLE Y LUBRICACION

4-1. COMBUSTIBLE

Utilice gasolina sin plomo de gradación normal mezclada con aceite de motor de dos ciclos 40:1 para piezas de fábrica auténticas para obtener un mejor resultado. Utilice las proporciones de mezcla especificadas en la sección 4-3.

G Nunca utilizar gasolina pura en la unidad. Esto provocará daños permanentes al motor y anulará la garantía del fabricante para ese producto. No utilizar nunca una mezcla de combustible que haya estado almacenada más de 90 días.

G Si va a utilizar un lubricante de dos ciclos que no sea el lubricante común de piezas de fábrica auténticas, debe utilizar uno que sea de primer grado para motores de enfriado por aire de dos ciclos mezclado a una proporción de 40:1. No utilice aceites de dos ciclos con una proporción de mezclado de 100:1. Si una lubricación insuficiente causara daños en el motor, se anula la garantía del fabricante sobre el motor por este hecho.

4-2. MEZCLA DEL COMBUSTIBLE

Mezcle combustible con aceite de marca de dos ciclos para piezas de fábrica auténticas en un contenedor aprobado. Utilice la tabla de mezclado para obtener la proporción correcta de combustible y aceite. Agite el contenedor para asegurarse de que la mezcla se realiza completamente.

G La falta de lubricación anulará la garantía del motor.

4-3. SIMBOLOS DE COMBUSTIBLE Y LUBRICACION



Mezcla de
Gasolina y Aceite
40:1



Aceite Solamente

TABLA DE MEZCLA DEL COMBUSTIBLE

GASOLINA	Lubricante Común Relación 40:1 de McCulloch	
1 Gal. E.A.U.	3.2 oz.	95ml (cc)
5 Litros	4.3 oz.	125ml (cc)
1 Imp. Gal.	4.3 oz.	125ml (cc)
Procedimiento de Mezcla:	40 Partes de Gasolina por 1 Parte de Lubricante	
	1ml = 1cc	

4-4. COMBUSTIBLE RECOMENDADO

Algunas gasolinas convencionales estan siendo mezcladas con oxigenados tales como alcohol o un compuesto de éter para cumplir con las reglas de limpieza del aire. Su motor McCulloch está diseñado para operar satisfactoriamente con cualquier gasolina usada para automóviles incluyendo gasolinas oxigenadas.

4-5 LUBRICACION DE LA BARRA Y CADENA

Vuelva a llenar el tanque de aceite de la cadena cada vez que rellene el tanque de combustible. Recomendamos que utilice aceite para la cadena, la barra, la rueda dentada y las piezas de fábrica auténticas que contenga aditivos para reducir la fricción y el desgaste y prevenir la formación de obstáculos en la barra y la cadena.

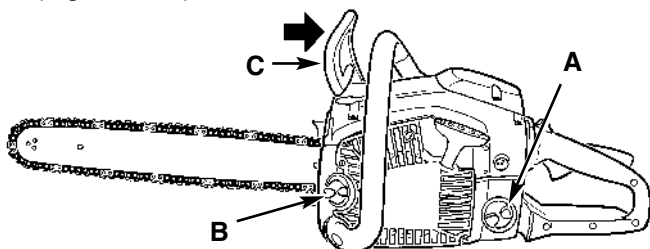
5 - INSTRUCCIONES DE OPERACION

5-1. PUNTOS DE INSPECCION PARA EL PRE-ARRANQUE DEL MOTOR

ADVERTENCIA

Nunca opere o arranque la sierra a menos que la barra y cadena se encuentren adecuadamente instaladas.

1. Llene el tanque de combustible (A) con la proporción correcta de combustible (Figura 5-1A).
2. Llene el tanque de aceite (B) con el aceite correcto para barra y cadena (Figura 5-1A).
3. Asegúrese de que el CHAIN BRAKE® se encuentre desenganchado (C) antes de arrancar su unidad (Figura 5-1A).



5-1A

5-2. PARA ARRANCAR EL MOTOR

1. Slide el interruptor de PARO ABAJO (Figure 5-2A).
2. Rotar estrangulador palanca hasta horizontal position (Figure 5-2B).
3. Bulbo de la cartilla de la bomba 10 veces (Figure 5-2C).
4. Tire de la cuerda del arrancador 4-6 veces, motor debe comenzar (Figure 5-2D).
5. Si el motor no pudo comenzar, rote la palanca de la estrangulación abajo a la posición vertical después repita el paso 4. (Figure 5-2D).
6. Cuando el comienzo del motor, calienta 10 sec. Después presione la palanca de la estrangulación de seguridad/disparador de la válvula reguladora. Automático estrangulador desunir cuando disparador ser tirar (Figure 5-2E).
7. Lance el disparador de la válvula reguladora para la marche lenta.

PARA APAGAR: El interruptor de la parada del resbaladero arriba.

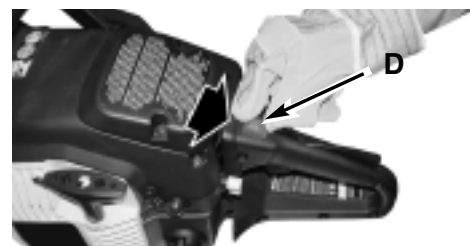
IMPORTANTE INFORMACIÓN SOBRE PARADO

En ciertos casos, por condiciones de operación (altura, temperatura etc.), su sierra de cadena necesitará un poco de ajuste para lograr la velocidad de parado.

Luego de calentarse - Lea Paso 8, Sección 5-3 del Manual de Usuario - Si el aparato no queda parado luego de reiniciar 2 veces, siga estos pasos para ajustarlo.

1. Acceso de ajuste a parado - el símbolo "T" (para válvula) queda sobre el hoyo de ajuste (Figura 5-2L).
2. Use un atornillador Phillips o con muescas - le da 1/4 vuelta a 1/2 vuelta al tornillo en el sentido del reloj (hacia la derecha). El aparato debe quedar parado correctamente (Figura 5-2M).

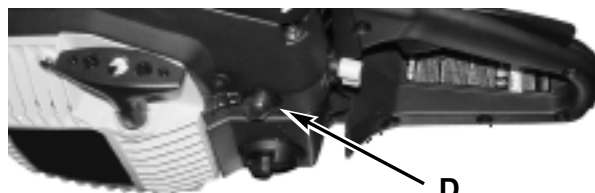
NOTA: Si la cadena se da vuelta cuando parado - le da vuelta al tornillo de vuelta a la izquierda hasta que la cadena pare y el aparato continúe parado.



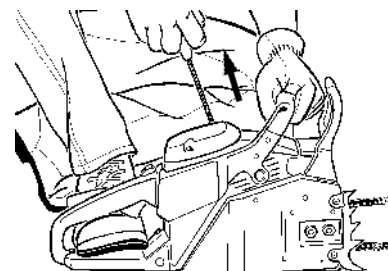
5-2A



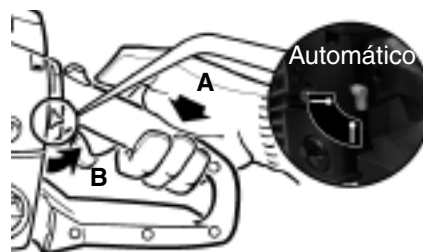
5-2B



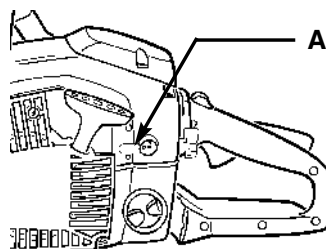
5-2C



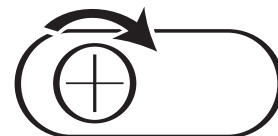
5-2D



5-2E



5-2F



5-2G

5 - INSTRUCCIONES DE OPERACION

5-3. ARRANCAR DE NUEVO UN MOTOR CALIENTE (Menos de diez minutos después de pararlo)

1. Asegurese que el interruptor de apagado está en ENCENDIDO.
2. Accione el ahogador hacia (MITAD).
3. Apriete el bulbo de cebado 10 veces.
4. Jale el hilo de encendido rápidamente 4 veces el motor debe de encender.
5. Accione el ahogador hacia (MARCHA).
6. Libere el seguro del acelerador.

5-4. PARA APAGAR EL MOTOR

1. Libere el gatillo y permita que el motor regrese a la velocidad de marcha en neutral.
2. Mueva el interruptor de APAGADO hacia arriba.

NOTA: Para un apagado de emergencia, simplemente active el CHAIN BRAKE® y mueva el interruptor de apagado hacia arriba.

ACCIÓN DE CHAIN BRAKE® (FRENO DE CADENA DE INERCIA):

NOTA: ESTA SIERRA ESTÁ EQUIPADA CON UN FRENO DE CADENA DE INERCIA. SI LA SIERRA SE VUELVE EN DIRECCIÓN DEL USUARIO CUANDO SE UTILIZA, LA INERCIA DE LA SIERRA ACTIVARÁ EL FRENO. UNA BANDA DE FRENO ALREDEDOR DEL TAMBOR DEL ACOPLAMIENTO ACTIVA Y DETIENE EL MOVIMIENTO DE LA CADENA.

5-5. PRUEBA OPERACIONAL DEL CHAIN BRAKE®

Pruebe el CHAIN BRAKE® periódicamente para asegurarse de que funcione correctamente.

Realice la prueba del CHAIN BRAKE® antes de iniciar el cortado, después de un cortado extenso y definitivamente después de cualquier servicio del CHAIN BRAKE®.

PRUEBE EL CHAIN BRAKE® COMO SIGUE:

1. Ponga la sierra en una superficie firme, plana y limpia.
2. Encienda el motor.
3. Agarre el mango trasero (A) con la mano derecha (Figura 5-5A).
4. Con la mano izquierda, sostenga firmemente el mango delantero (B) (no la manija del CHAIN BRAKE® [C]) (Figura 5-5A).
5. Apriete el gatillo de aceleración hasta 1/3 de aceleración, inmediatamente después active la manija del CHAIN BRAKE® (C) (Figura 5-5A).

ADVERTENCIA

Active el CHAIN BRAKE® despacio y deliberadamente. No deje que la cadena toque superficies; no deje que la sierra se incline hacia adelante.

6. La cadena se detiene bruscamente. Cuando lo haga, libere el regulador/accionador inmediatamente.

ADVERTENCIA

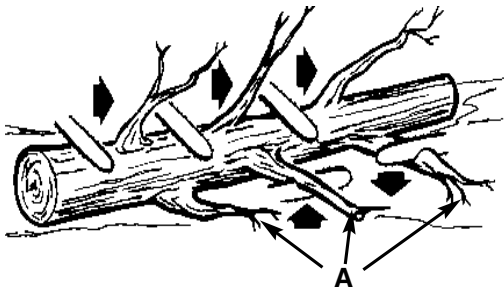
Si la cadena no se detiene, apague el motor y lleve su sierra con el distribuidor mas cercano para servicio.

7. Si el CHAIN BRAKE

6 - INSTRUCCIONES DE CORTADO GENERALES

6-2. DESRAMADO

El desramado es el proceso por el cual se remueven las ramas de un árbol caído. No remueva las ramas de soporte (A) hasta que el tronco es aserrado (cortado) en piezas (Figura 6-2A). Las ramas bajo tensión deberán ser cortadas desde abajo para evitar el doblado de la sierra-de-cadena.



6-2A

ADVERTENCIA

Nunca corte las ramas del árbol mientras se encuentre parado sobre el tronco del árbol.

6-3. LEÑADO

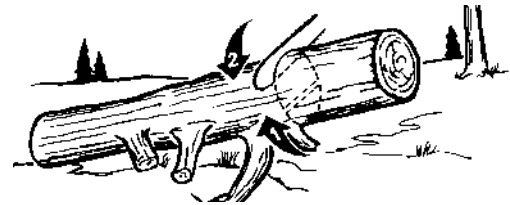
Leñado es cortar un tronco caído en pedazos. Asegúrese de tener una buena base para los pies y pararse hacia arriba del tronco cuando corte en un terreno con pendiente. Si es posible, el tronco deberá ser apoyado de manera que el extremo que será cortado no repose en el suelo. Si el tronco está apoyado en los dos extremos y usted tiene que cortar en la mitad, realice un corte inclinado hasta la mitad dentro del tronco y luego realice el corte por abajo. Esto evitará que el tronco pellizque la barra y cadena. Tenga cuidado de que la cadena no corte dentro del suelo cuando leñe, esto causa un rápido desafilado de la cadena. Cuando leñe en una pendiente, siempre parese en la parte de arriba.

1. Tronco apoyado a lo largo de toda la longitud: Corte desde arriba (leñar por arriba), siendo cuidadoso para evitar cortar dentro del suelo (Figura 6-3A).
2. Tronco apoyado en 1 extremo: Primero, corte desde abajo (leñar por abajo) 1/3 del diámetro del tronco para evitar astillamiento. Segundo, corte desde arriba (leñar por arriba) para encontrar el primer corte y evitar el pellizcado (Figura 6-3B).
3. Tronco apoyado en ambos extremos: Primero, Leñe por arriba 1/3 del diámetro del tronco para evitar astillamiento. Segundo, leñe por abajo para encontrar el primer corte y evitar el pellizcado (Figura 6-3C).

NOTA: La mejor manera de sostener un tronco mientras es leñado es usar un caballete de leñado. Cuando esto no es posible, el tronco deberá ser levantado y soportado por las ramas soporte o usando troncos de soporte. Asegúrese de que el tronco que está siendo cortado esté seguramente soportado.



6-3A



6-3B



6-3C

6-4. LEÑADO USANDO UN CABALLETE PARA ASERRAR

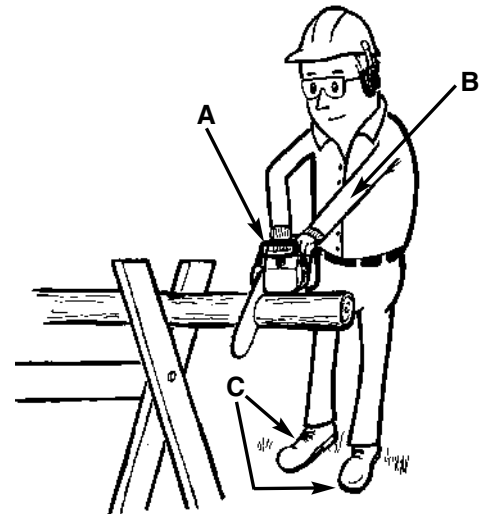
Para seguridad personal y un cortado más sencillo, la posición correcta para el leñado vertical es esencial (Figura 6-4A).

CORTANDO VERTICALMENTE:

- A. Sostenga la sierra firmemente con ambas manos y mantenga la sierra a la derecha del cuerpo mientras está cortando.
- B. Mantenga el brazo izquierdo lo más recto posible.
- C. Conserve su balance sobre ambos pies.

PRECAUCION

Mientras la sierra está cortando, asegúrese que la barra y cadena estén siendo propiamente lubricadas.



6-4A

7 - INSTRUCCIONES DE MANTENIMIENTO

Todas las reparaciones y el mantenimiento, a menos que se incluya en la lista de instrucciones de mantenimiento del manual de usuario, deben realizarse en el centro de servicio autorizado más cercano.

7-1. MANTENIMIENTO PREVENTIVO

Un buen programa de mantenimiento preventivo de inspección regular y cuidado, alargara la vida y mejorara el desempeño de su sierra-de-cadena McCulloch. Esta lista de chequeo es una guía para tal programa.

Limpio, ajustado, y el reemplazo de partes pueden requerir, bajo ciertas circunstancias, un intervalo mas frecuente que aquellos indicados.

LISTA DE VERIFICACION DEL MANTENIMIENTO		CADA USO	HORAS DE OPERACION	
			10	20
PARTE	ACCION			
TORNILLOS / TUERCAS / PER- NOS	INSPECCIONAR / APRETAR	✓		
FILTRO DE AIRE	LIMPIAR O REEMPLAZAR		✓	
FILTRO DE ACEITE	REEMPLAZAR			✓
BUJIA DE ENCENDIDO	LIMPIAR / AJUSTAR / REEM- PLAZAR		✓	
PANTALLA DEL PARACHISPAS	LIMPIAR / AJUSTAR / REEMPLAZAR	✓		
	REEMPLAZAR SEGUN SE REQUIERA		✓	
MANGUERAS DE COM- BUSTIBLE	INSPECCIONAR	✓		
	*REEMPLAZAR SEGUN SE REQUIERA			
COMPONENTES DEL CHAIN BRAKE®	INSPECCIONAR	✓		
	*REEMPLAZAR SEGUN SE REQUIERA			

*Recomendado para mantenimiento por un técnico del centro de servicio autorizado.

7 - INSTRUCCIONES DE MANTENIMIENTO

7-2. FILTRO DE AIRE

PRECAUCIÓN

Nunca opere una sierra sin el filtro de aire. Tierra y polvo serán succionados dentro del motor dañándolo. Mantenga el filtro de aire limpio.

PARA LIMPIAR EL FILTRO DE AIRE:

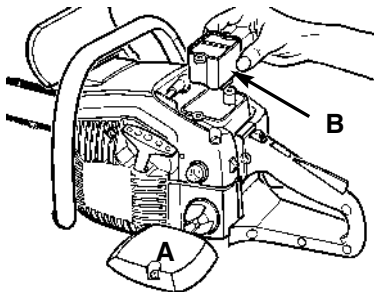
1. Remueva la cubierta (A) y levante el filtro de aire hacia afuera (B) (Figura 7-2A).
2. Limpie el filtro de aire. Lave el filtro de aire con agua enjabonada templada. Enjuague con agua fría limpia. Séquelo con aire completamente.

NOTA: Es aconsejable que cuente con una provisión de filtros de repuesto.

3. Instale el filtro de aire y la cubierta superior. Asegúrese que la cubierta encaja propiamente y ajuste los tornillos seguramente.

ADVERTENCIA

Nunca realice mantenimiento cuando el motor se encuentre caliente, para prevenir cualquier posibilidad de que se quemé las manos o dedos.



7-2A

7-3. FILTRO DE COMBUSTIBLE

PRECAUCIÓN

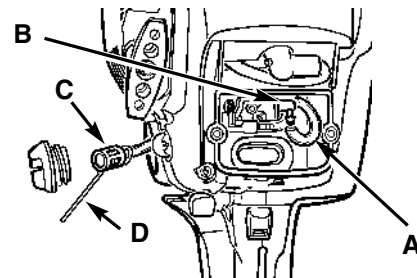
Nunca opere su sierra sin un filtro de combustible. El filtro de combustible deberá ser reemplazado después de cada 20 horas de uso. Vacíe el tanque de combustible completamente antes de cambiar el filtro.

1. Retire la cubierta de la caja de aire y filtro de aire como en la sección 7-2.
2. Desconecte la manguera del combustible (A) del conector del carburador (B).
3. Jale el filtro de combustible (C) hacia afuera del tanque con un alambre doblado (D) o con pinzas de punta larga. Desconecte el filtro y descártelo.

NOTA: Tenga cuidado de no dañar la línea de combustible mientras remueve el filtro.

4. Instale un nuevo filtro de combustible sobre la manguera y jale el ensamble de manguera/filtro hacia adentro del tanque de manera para que el filtro esté posicionado al frente de la esquina derecha.

5. Reconecte la manguera de combustible (A) al conector del carburador (B). Reemplace el filtro de aire y la cubierta de la caja de aire (Figura 7-3A).
6. Llene el tanque con una mezcla fresca de aceite y combustible. Instale la tapa de combustible.

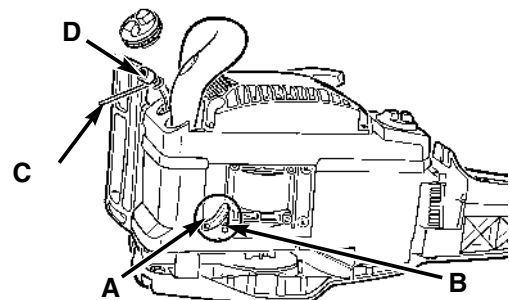


7-3A

7-4. FILTRO DE ACEITE

NOTA: Extraiga el aceite del tanque antes de cambiar el filtro de aceite.

1. Desconecte la manguera del aceite (A) de la conexión de la bomba de aceite (B).
2. Use un alambre con gancho (C) y jale el filtro de aceite (D) del tanque. Retire el filtro y manguera completamente.
3. Inserte un tramo de manguera en el tanque y jálela a través de la abertura de llenado.
4. Instale un nuevo filtro de aceite sobre la manguera y jale ésta al interior del tanque de manera que el filtro quede colocado en el fondo del tanque.
5. Corte la manguera a la longitud adecuada y presiónela sobre la conexión de la bomba de aceite. (Figure 7-4A).



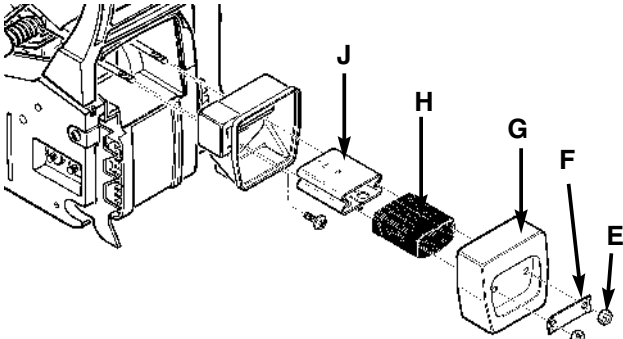
7-4A

7 - INSTRUCCIONES DE MANTENIMIENTO

7-5. PANTALLA CONTRA CHISPA (Figura 7-5A)

NOTA: Una pantalla contra chispas lapada reducirá dramáticamente el desempeño del motor.

1. Retire las 2 tuercas retenedoras del mofle (E), la placa seguro (F) y la cubierta del mofle (B).
2. Retire la pantalla parachispas (H) del deflector metálico (J). Reemplace la pantalla con una nueva.
3. Reensamble los componentes del mofle y apriete las tuercas seguramente.



7-5A

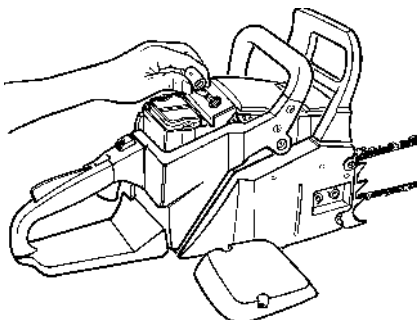
7-6. BUJIA

NOTA: Para una operación eficiente del motor de la sierra, la bujía deberá ser mantenida limpia y propiamente calibrada.

1. Mueva el interruptor de APAGADO (STOP) hacia arriba.
2. Quite cubierta superior. Desconecte el alambre conector de la bujía enroscando y jalando al mismo tiempo (Figura 7-6A).
3. Remueva la bujía con la llave casquillo para bujías. NO UTILICE CUALQUER OTRA HERRAMIENTA.
4. Compruebe la distancia entre los electrodos con un calibrador de hilo y ajuste las distancias a 635 mm si es necesario.
5. Vuelva a instalar una bujía nueva.

NOTA: Debe usar una bujía de encendido con resistencia como repuesto (pieza McCulloch nº 9295- 320001 champion RDJ8J o equivalente).

NOTA: este sistema de encendido por bujías cumple con los requisitos de la Canadian Interferen-Causing Equipment Regulations.



7-6A

7-7. AJUSTES DEL CARBURADOR

El carburador fué pre-colocado en la fábrica para óptimo rendimiento. Si se necesitan mayores ajustes, por favor lleve su unidad a su Centro de Servicio Autorizado mas cercano anunciado en las Páginas Amarillas.

7-8. ALMACENANDO UNA SIERRA-DE-CADENA

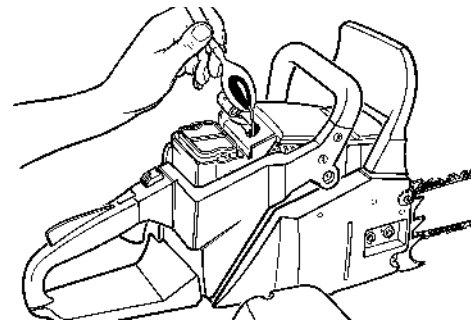
El almacenamiento de una sierra-de-cadena por mas de 30 días requiere mantenimiento para almacenamiento. A menos de que las instrucciones de almacenamiento sean seguidas, el combustible que permanezca en el carburador se evaporara, dejando depósitos de goma. Esto puede conducir a un arranque dificultoso puede resultar en costosas reparaciones.

PRECAUCION

Nunca almacene una sierra-de-cadena por mas de 30 días sin realizar los siguientes procedimientos.

1. Remueva la tapa del tanque de combustible lentamente para liberar cualquier presión en el tanque. Cuidadosamente desage el tanque de combustible.
2. Arranque el motor y dejelo correr hasta que la unidad se apague para remover combustible del carburador.
3. Deje que el motor se enfríe, (aprox. 5 minutos).
4. Usando una llave para bujías, quite la bujía.
5. Vacíe 1 cucharadita de aceite limpio de 2 ciclos en la cámara de combustion. Jale el hilo de arranque lentamente varias veces para cubrir los componentes internos. Reemplace la bujía (Figura 7-8A).

NOTA: Almacene la unidad en un lugar seco alejado de posibles fuentes de ignición tales como un horno, calentón de gas, secadora de gas, etc.



7-8A

7-9. RETIRANDO UNA UNIDAD EL ALMACENAJE

Antes empezar, vacía el petróleo de la cámara de la combustión.

1. Quite la bujía.
2. Jale el hilo de arranque rápidamente par aclarar el exceso de aceite de la cámara de combustión.
3. Limpie y calibre la bujía, o instale una nueva con calibración adecuada.
4. Prepare la unidad para operación.
5. Llene el tanque de combustible con la mezcla correcta de aceite y combustible. Vea la Sección de Combustible y Lubricación.

8 - MANTENIMIENTO DE LA BARRA / CADENA

8-1. MANTENIMIENTO DE LA BARRA GUIA

Una lubricación frecuente de la rueda dentada de la barra guía (barra de rieles que soporta la sierra-de-cadena) es requerida. El mantenimiento propio de la barra guía, como se explica en esta sección, es esencial para mantener su sierra en buenas condiciones de trabajo.

LUBRICACION DE LA RUEDA DENTADA:

PRECAUCION

La falta de lubricar la rueda dentada de la barra guía como se explica abajo resultará en una baja eficiencia y daño, anulando la garantía del fabricante. La punta de la rueda dentada de su nueva sierra ha sido previamente lubricada en la fábrica.

Se recomienda la lubricación de la rueda dentada después de cada uso o después de 3 tanques de combustible o lo que ocurra primero. Siempre limpie completamente la rueda dentada de la barra guía antes de lubricarla.

HERRAMIENTAS PARA LA LUBRICACION:

La Lube Gun (pistola de lubricación) (opcional) es recomendada para la aplicación de grasa para la rueda dentada de la barra guía. La Lube Gun esta equipada con una nariz de punta de aguja la cual es necesaria para la eficiente aplicación de grasa a la rueda dentada.

PARA LUBRICAR LA RUEDA DENTADA:

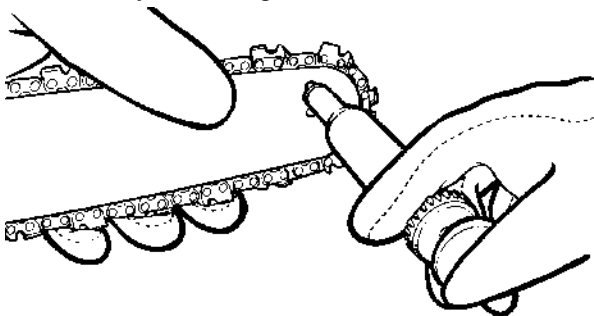
ADVERTENCIA

Utilice guantes de trabajo pesado cuando maneje la barra y cadena.

1. Mueva el interruptor de APAGADO (STOP) hacia arriba.

NOTA: No es necesario que remueva la cadena para lubricar la guía de la rueda dentada de la barra. La lubricación puede ser hecha en el trabajo.

2. Limpie la guía de la rueda dentada de la barra.
3. Utilizando una pistola Lube (opcional), introduzca la punta de la pistola Lube en el orificio de lubricación e inyecte la grasa hasta que ésta aparezca en el lado exterior de la punta de la rueda dentada (Figure 8-1A).
4. Gire la cadena de la barra con la mano. Repita los procedimientos de lubricación hasta que toda la rueda dentada haya sido engrasada.



8-1A

MANTENIMIENTO DE LA BARRA GUIA:

La mayoría de los problemas de la barra guía pueden ser prevenidos simplemente manteniendo bien la sierra-de-cadena.

Una insuficiente lubricación de la barra guía y operación de la sierra con la cadena DEMASIADO APRETADA contribuirá a un desgaste rapido de la barra.

Para ayudar a minimizar el desgaste de la barra, los siguientes procedimientos de mantenimiento para la barra guía son recomendados.

DESGASTE DE LA BARRA - Dé vuelta a la barra guía frecuentemente a intervalos regulares (por ejemplo, después de cada 5 horas de uso), para asegurarse de un desgaste parejo en la parte superior e inferior de la barra.

RANURAS DE LA BARRA - Las ranuras de la barra (o rieles que soportan y conducen la cadena) deberán ser limpiados si la sierra ha sido utilizada para servicio pesado o si la sierra manifiesta suciedad. Los rieles deben de ser limpiados cada vez que la cadena es removida.

PASAJES DE ACEITE - Los pasajes de aceite sobre la barra deben de ser limpiados, para asegurar una lubricación propia de la barra y cadena durante la operación.

NOTA: La condición de los pasajes de aceite puede ser fácilmente revisada. Si los pasajes están limpios, la sierra automáticamente dará una rociada de aceite dentro de los primeros segundos de arrancada la sierra. Su sierra esta equipada con un sistema de aceitaje automatico.

8-2. MANTENIMIENTO DE LA CADENA

TENSION DE LA CADENA:

Inspeccione la tensión de la cadena frecuentemente y ajustela tan seguido como se necesite para mantener la cadena adecuadamente ajustada en la barra, pero lo suficientemente suelta para ser jalada con la mano.

PAUSADO EN UNA CADENA DE LA SIERRA NUEVA:

Una barra y cadena nueva requeriran un reajuste aproximadamente a los 5 cortes. Esto es normal dentro del periodo de pausado, y los intervalos dentro de los próximos ajustes se alargaran rápidamente.

ADVERTENCIA

Nunca tenga mas de 3 eslabones removidos del lazo de la cadena. Esto causara daño a la rueda dentada.

LUBRICACION DE LA CADENA:

Asegúrese siempre de que el sistema de lubricación automática funciona correctamente. Mantenga el tanque lleno con aceite para la cadena, la barra, la rueda dentada y las piezas de fábrica auténticas.

Una lubricación adecuada de la barra y cadena durante las operaciones de corte es esencial para minimizar la fricción con la barra guía.

8 - MANTENIMIENTO DE LA BARRA / CADENA

Nunca deje que le falte aceite de lubricación a la barra y cadena. El correr una sierra seca o con muy poco aceite reducirá la eficiencia en el cortado, acortará la vida de la cadena de la sierra, causará un desafilado rápido y conducirá a un desgaste extensivo de la barra por sobrecalentamiento. Muy poco aceite es detectado por humo o decoloración de la barra.

AFILADO DE LA CADENA:

El afilado de la cadena requiere herramientas especiales para asegurarse de que las cortadoras permanecen afiladas a un ángulo y profundidad correctos. Al usuario no experimentado de una sierra mecánica, le recomendamos que afile la sierra en un centro de servicio autorizado. Si se siente seguro afilándola usted mismo, cuenta con varias herramientas a su disposición en el centro de servicio autorizado más cercano.

8-3. INFORMACIÓN SOBRE EL RECAMBIO DE LA CADENA

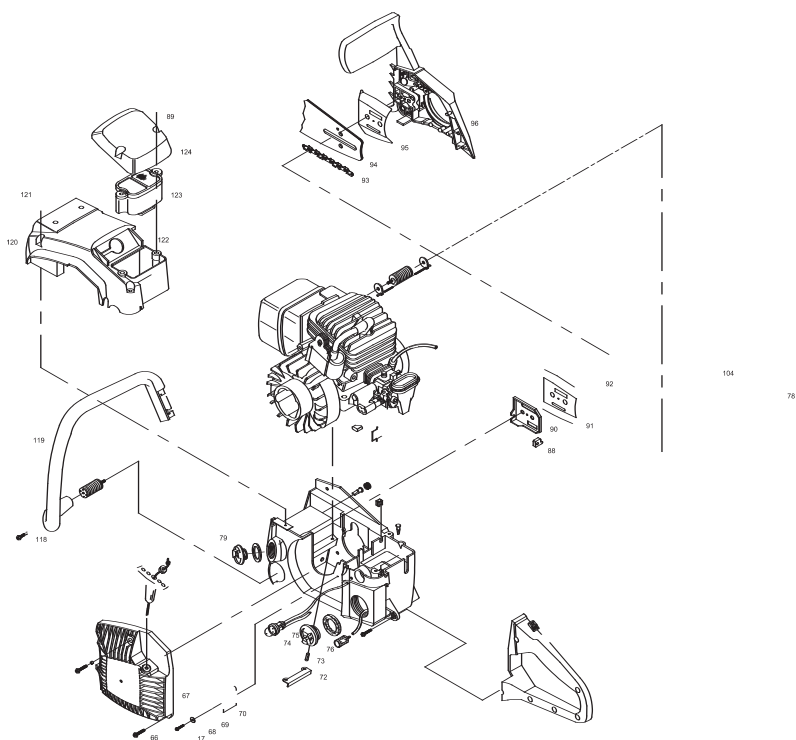
Puede haber otra calidad los componentes equivalentes del reemplazo para lograr la protección de comisión confidencial.

Barra de Longitud	La compañía Traba
16" Bar	66 DL
18" Bar	72 DL
20" Bar	78 DL

9 - DETECCION Y CORRECCION DE FALLAS DEL MOTOR

PROBLEMA	CAUSA PROBABLE	ACCION CORRECTIVA
La unidad no arranca o arranca pero no opera.	Procedimientos incorrecte de arranque.	Seguir las instrucciones del Manual del Usuario.
	Fijacion incorrecta del ajuste de la mezcla del carburador.	Sii usted necesita ajustar el carburador debe llevarlo a un Centro de Servicio Autorizado.
La unidad arranca, pero el motor tiene poca potencia.	Bujía de encendido sucia.	Limpiar / separar o reemplazar la bujía.
	Filtro obstruido del combustible.	Reemplazar el filtro del combustible.
	Posición incorrecta de la palanca del ahogador.	Mover a la posición RUN (MARCHA).
	Pantalla sucia del parachispas.	Reemplazar la pantalla del parachispas.
El motor titubea.	Filtro de aire sucio.	Desmonter, limpiar y volver a instalar el filtro.
	Fijación incorrecta del ajuste de la mezcla del carburador.	Sii usted necesita ajustar el carburador debe llevarlo a un Centro de Servicio Autorizado.
No hay potencia con carga.	Fijación incorrecta del ajuste de la mezcla del carburador.	Sii usted necesita ajustar el carburador debe llevarlo a un Centro de Servicio Autorizado.
Opera en forma errática.	Bujía de encendido mal dividia.	Limpiar / separar o reemplazar la bujía.
	Fijación incorrecta del ajuste de la mezcla del carburador.	Sii usted necesita ajustar el carburador debe llevarlo a un Centro de Servicio Autorizado.
Genera humo excesivo.	Mezcla incorrecta del combustible.	Utilizer combustible mezclado en fomral adecuada (mezcla 40:1).

10 - PARTS LIST



Item.	Parts No.	Description	Item.	Parts No.	Description	Item.	Parts No.	Description
1	9NAB-5/16-24	NUT	45	9082-310201	BAFFLER	89	9214-310101	SCREW
2	9WOC-08	NUT	46	9228-310217	MUFFLER BODY ASS'Y	90	9043-310203	PLATE, BAR
3	9169-310201	FLYWHEEL	47	9SKKBY10/24-0.5	SCREW	91	9043-310202	PLATE, FLANGE
4	9SREB-10/24-2.75	SCREW	48	9211-310201	PLATE	92	9SKKBY6/19-0.375	SCREW
5	9WFB-0.2	WASHER	49	9183-310201	SCREEN	93	9220-31C203	20" CHAIN
6	9157-310201	SEAL	50	9082-310205	BAFFLER	94	9040-31A219F	20" BAR
7	9DB-620201	BEARING	51	9017-310204	COVER, MUFFLER	95	9082-310204	PLATE
8	9072-3102Y1F	CRANKCASE LOWER	52	9158-310201	LOCKPLATE	96	9228-310215	CHAIN BRAKE ASS'Y
9	9221-310001	KEY	53	9NAC-10/24	NUT	97	9NAZ-5/16-18	NUT
10	9228-310203A	C'SHAFT/C'ROD ASS'Y	54	9124-310202	BOOT, CARBURETOR	98	9072-310206	PLATE
11	9155-310201	BEARING	55	9131-310203	EYELET	99	9228-31C201	CKOKE ASS'Y
12	6014-M96A01	WASHER	56	9014-310204	FLANGE	100	9114-310202	ROD, CHOKE
13	9073-310201	GEAR, WORM	57	9102-310202	PLATE	101	9013-310202	PLUG
14	9WFN-0.4	WASHER	58	9014-310202	GASKET	102	9228-310213	ISOLATOR ASS'Y
15	9076-310201	O RING	59	9287-31C201	CARBURETOR	103	9228-310214	CABLE ASS'Y
16	9228-310235	PUMP ASS'Y	60	9124-310203	BOOT 1	104	9SGKBY10/24-0.5	SCREW
17	9SKKBY8/16-0.5	SCREW	61	9014-31C201	FLANGE	105	9068-310203	FRAME, REAR
18	9WDZ-0.722	WASHER	62	9024-310202	SPRING	106	9017-31C201	PLUG
19	9036-310201	BEARING	63	9131-310204	EYELET	107	9028-310201	RELEASE, TRIGGER
20	9228-310211	FRUM SPRKT ASS'Y	64	9124-310204	BOOT	108	9028-310202	TRIGGER
21	9228-310210	CLUTCH ASS'Y	65	9SREB-10/24-1.625	SCREW	109	9124-310209	GROMMET
22	9NHC-09	NUT	66	9SKKBY10/14-0.625	SCREW	110	9010-310201	CABLE
23	9072-3102Y2F	CRANKCASE UPPER	67	9228-310212	STARTER ASS'Y	111	9024-310206	SPRING
24	9124-310201	FITTING, PULSE LINE	68	9WFZ-0.18	WASHER	112	9WFB-4.9-17	WASHER
25	9014-3102Y1	GASKET	69	9223-310201	WIRE	113	9228-310222	ISOLATOR ASS'Y
26	9036-310201	CLAMP, WIRE HOSE	70	9183-310202	SCREEN	114	9010-310203	WIRE ASS'Y
27	9059-310201	CONDUIT, FLEX	71	9SKKBY10/24-1	SCREW	115	9228-310232	COVER ASS'Y, HANDLE
28	9129-310004	HOSE	72	9043-310201	PLATE	116	9SKKBY8/16-0.625	SCREW
29	9CA-0.46	RING	73	9124-310206	SPACE	117	9SKKBY-8/16-1	SCREW
30	9PC-10-32.5	PIN	74	9142-310002	PRIMER, REMOTE	118	9SJKB-12/14-1.5	SCREW
31	9290-31C201	PISTON	75	9129-310214	HOSE	119	9228-310231	HANDLE ASS'Y
32	9189-31C201	RING, PISTON	76	9228-310206	CAP, FUEL	120	9228-310216	COVER ASS'Y
33	9SKKBY10/24-0.75	SCREW	77	9182-310503	FILTER, FUEL	121	9SKKBY10/14-02	SCREW
34	9124-310205	SPACER	78	9SKKZY10/14-01	SCREW	122	9SKKBY10/14-0.68	SCREW
35	9288-310201-CH	IGNITION ASS'Y	79	9228-310207	CAP, OIL	123	9228-310204	AIR CLEANER ASS'Y
36	9191-310201	STUD	80	9228-310205	FUEL/OIL TANK ASS'Y	124	9067-310202	COVER
37	9012-330301	GROMMET	81	9070-310002	VALVE DUCKBILL	125	9042-310201	WRENCH
38	9SKKBY10/24-0.62	SCREW	82	6182-210101	FILTER	126	9120-310201	CARRY CASE
39	9014-310203	FLANGE	83	9129-310209	HOSE	127	9017-310213	SCABBARD
40	9131-310202	EYELET	84	9013-310201	PLUG			
41	9292-31C201F	CYLINDER	85	9252-310002	FILTER			
42	9295-320001	SPARK PLUG	86	9131-310206	WASHER			
43	9STDZY10/24-2.79	SCREW	87	9214-310201	SCREW			
44	9014-310208	WASHER	88	9035-310201	NUT			

McCULLOCH®



**For problems or questions, DO NOT return
this product to the store. Contact your
Customer Service Agent .**

**En cas de problèmes ou pour des questions,
NE PAS retourner ce produit au point de vente. S'adresser
au préposé du Service à la clientèle en composant.**

**Para problemas o preguntas, NO devolver este producto a la tienda
Contacte a su Agente de Servicio al Cliente.**

U.S.A. Imported by:
MTD LLC
P.O. Box 361131
Cleveland, OH 44136-0019

Canada Imported by / Importé par:
MTD PRODUCTS LIMITED
97 Kent Avenue
Kitchener, ON
CANADA N2G 4J1

**For Consumer Assistance Please Call
L'Aide Du Consommateur Necessitez S'il Vous Plait
Para La Ayuda Del Consumidor Llame Por Favor**



**U.S.A. 1-866-747-9816
CANADA 1-800-668-1238**

Made in Taiwan / Fabriqué à Taiwan / Hecho en Taiwan

Free Manuals Download Website

<http://myh66.com>

<http://usermanuals.us>

<http://www.somanuals.com>

<http://www.4manuals.cc>

<http://www.manual-lib.com>

<http://www.404manual.com>

<http://www.luxmanual.com>

<http://aubethermostatmanual.com>

Golf course search by state

<http://golfingnear.com>

Email search by domain

<http://emailbydomain.com>

Auto manuals search

<http://auto.somanuals.com>

TV manuals search

<http://tv.somanuals.com>