

Masterbuilt Outdoor Products has made every effort to provide you with a quality, long-lasting, trouble-free product.

In the event of a problem, please call our toll free number

1-800-489-1581

Thank You for purchasing this MASTERBUILT product.



450 Brown Avenue
Columbus, Georgia 31906



THE ROOK

GrandMAC Series Charcoal Smoker

MODEL GMCS

ASSEMBLY & OPERATING INSTRUCTIONS
WARNING & SAFETY INFORMATION



⚠ WARNING:

FOR OUTDOOR USE ONLY. Carbon Monoxide Hazard (See Serial Plate On Unit). Never use indoors (home, garage, enclosed porch, tent). Keep the smoker away from buildings, garages, flammable materials, flammable fluids and automobiles while in use.

Do not leave unit unattended at any time.

⚠ WARNING:

1. Never use indoors. Outdoor use only.
2. Use a commercially prepared fire starter only. Do not use gasoline, alcohol or other highly volatile fluids to ignite charcoal. Do not use excessive lighter fluid.
3. Do not use water to extinguish the fire, as this will damage the finish.
4. Close all vents to extinguish coals.
5. As with any smoker, care must be taken to prevent heat damage to anything around or under the smoker.
6. Keep away from flammable material and fluids such as gasoline, alcohol, diesel fuels, kerosene, charcoal lighter fluid and/or automobiles.
7. Do not allow children to use the smoker. Keep children and pets away from smoker when in use.
8. Never overfill charcoal bowl. May damage the unit and cause serious or fatal injury.
9. Do not wear flammable or loose clothing when using smoker.
10. Do not store the smoker with the ashes or combustible materials inside. Do not store the smoker until the fire is completely out and all surfaces are cold.
11. Use heat protective gloves when handling the smoker and handling the fire. Use protective gloves or long sturdy fireplace tools when adding wood or charcoal.
12. Always use in accordance with all applicable local and national fire codes. Use on non-combustible surfaces such as concrete, brick and rock.

Masterbuilt Outdoor Products

WARRANTY INFORMATION

To validate your warranty, please fill out and return this portion within 30 days of the date of purchase.

Send to:
MASTERBUILT Outdoor, Inc.
450 Brown Avenue,
Columbus, Georgia 31906

1. Name _____
2. Address _____
City _____
State _____ Zip _____
3. Dealer's Name _____
4. Dealer's Location _____
5. Date of Purchase _____
6. What brands of outdoor cookers have you previously owned? (Optional)

7. Serial # _____ and/or Model # _____

Thank you for your purchase and filling out this warranty questionnaire.

WARRANTY INFORMATION:

Masterbuilt Outdoor Products warrants THE ROOK – GrandMAC SERIES CHARCOAL SMOKER (GMCS) to be free from defects in material and workmanship for one year. This Masterbuilt Outdoor Products warranty does not cover rust of the unit. Within this period, Masterbuilt Outdoor Products shall correct any defect by repairing or replacing defective parts of the equipment.

Masterbuilt Outdoor Products requires reasonable proof of purchase and suggests that you keep your receipt. Failure to complete and return warranty information will make product warranty null and void. Upon the expiration of such warranty, all such liability shall terminate.

This warranty does not include the cost of property damage due to the failure of the product and does not cover damage due to the misuse, abuse, accident, damage arising out of transportation, or damage incurred through commercial use of this product. THIS EXPRESS WARRANTY IS THE SOLE WARRANTY GIVEN BY THE MANUFACTURER AND IS IN LIEU OF ALL OTHER WARRANTIES, EXPRESSED OR IMPLIED, INCLUDING IMPLIED WARRANTY OR MERCHANTABILITY OR FITNESS FOR A PARTICULAR PURPOSE. Neither Masterbuilt Outdoor Products nor the retail establishment selling this product, has authority to make any warranties or to promise remedies in addition to or inconsistent with those stated above. Masterbuilt Outdoor Products maximum liability, in any event, shall not exceed the purchase price of the product paid by the original consumer/ purchaser. Some states do not allow the exclusion or limitation of incidental or consequential damages. In such a case, the above limitations or exclusions may not be applicable.

Notwithstanding this limitation of warranty, the following specific restrictions apply for California residents. If service, repair, or replacement of the product is not commercially practicable, the retailer selling the product or Masterbuilt Outdoor Products will refund the purchase price paid for the product, less the amount directly attributable to use by the original buyer prior to the discovery of the nonconformity. In the state of California only, you may take the product to the retail establishment selling this product, in order to obtain performance under warranty.

This expressed warranty gives you specific legal rights, and you may also have other rights which vary from state to state.

NOTE: Paint finish may burn off under normal use and therefore it carries no warranty.

CAUTION:

Never move the unit while in use. If moving becomes necessary, do not touch body or lid as they may be very hot.

GENERAL INSTRUCTIONS FOR SAFE USE OF SMOKER:

1. Do not burn trash, leaves, paper, cardboard or plywood in the smoker. The use of seasoned hardwood is recommended. Avoid using softwood such as pine or cedar because they are likely to throw sparks.
2. Keep all screws and nuts tight to be sure smoker is in safe working condition. Inspect on regular basis to ensure that the smoker is operational.

NOTE: After repeated use, a discoloration of the metal may occur.

⚠ WARNING ⚠

CARBON MONOXIDE HAZARD

Burning charcoal gives off carbon monoxide, which has no odor and can kill you. DO NOT burn charcoal inside homes, vehicles or tents. Use only in well ventilated areas.

Please read all instructions and warnings before assembly.

TOOLS REQUIRED:

Phillips head screwdriver, Crescent wrench or socket wrench set.

NOTE: Do not completely tighten screws until the assembly is complete.

For easier assembly we recommend two people assemble this product.

PARTS LIST/IDENTIFICATION:

PART NUMBER	DESCRIPTION	QUANTITY
A	Dome Handle	1
B	Dome	1
C	Deluxe Heat Indicator	1
D	Air Damper	1
E	Body	1
F	Body Handles	2
G	Charcoal Door With Handle	1
H	Charcoal Door Hinge	1
I	Legs	3
J	Water Bowl	1
K	Charcoal Bowl	1
L	Grill Rack	2
M	Grill Bracket	3
N	Water Bowl Bracket	3
	Mounting Dome Handle	
O	Bolt, Nut, Washer & Lock Washer	2
	Mounting Air Damper	
P	Small Black Bolt & Nut	1
	Mounting Body Handles	
Q	Short Bolt, Washer & Nut	4
	Mounting Short Grill Brackets	
R	Short Bolt, Washer & Nut	3
	Mounting Water Bowl Brackets	
S	Short Bolt, Washer & Nut	3
	Mounting Legs	
T	Short Bolt, Washers & Nut	6
	Mounting Charcoal Door	
U	Charcoal Door Nut & Bolt	6
	Mounting Heat Indicator	
V	Large Heat Indicator Bolt	1

Try Southern Secrets

Spices, Marinades, BBQ Sauces and Batters



Kickin' Cajun Seasoning for Frying Turkeys
Steak Seasoning for Frying or Grilling
BBQ Rub for Smoking Ribs and More

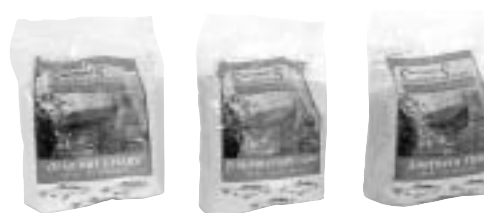
Injectable Turkey Marinades



Garlic & Herb or Buttery Creole

ALSO TRY: Sizzlin' Steak Marinade, Glazing Honey Injectable Marinade, Kickin' Cajun Hot Wing Sauce, Hot and Spicy BBQ Sauce and Grandma's Mild BBQ Sauce

Fish & Seafood Batters



Original Crispy Batter
Original Crispy Cajun Batter
Southern Style Corn Meal Breading

Gift Packs



Turkey Cookin' Kit



Steak & BBQ Cookin' Kit



Fish & Wing Cookin' Kit

Try 'Em All ... www.masterbuilt.com **8**

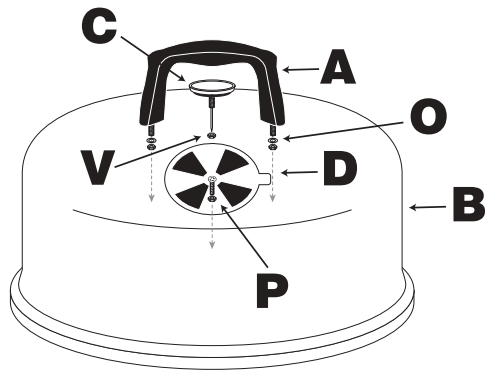
STEP 3: Dome Assembly

FIRST, mount Deluxe Heat Indicator **C** to top of Dome **B** using the Large Heat Indicator Bolt **V**.

NEXT, mount Handle **A** to Dome **B** with Dome Bolts, Nuts, Washers and Lock Washers **O**.

LAST, Mount Top Air Damper **D**, to Dome **B** using the small Black Bolt and Nut **P**.

NOTE: Do not completely tighten screws until the assembly is complete. For easier assembly we recommend two people assemble this product.



CHARCOAL LIGHTING INSTRUCTIONS:

Read all instructions and warnings on charcoal bag and in this manual before operating.

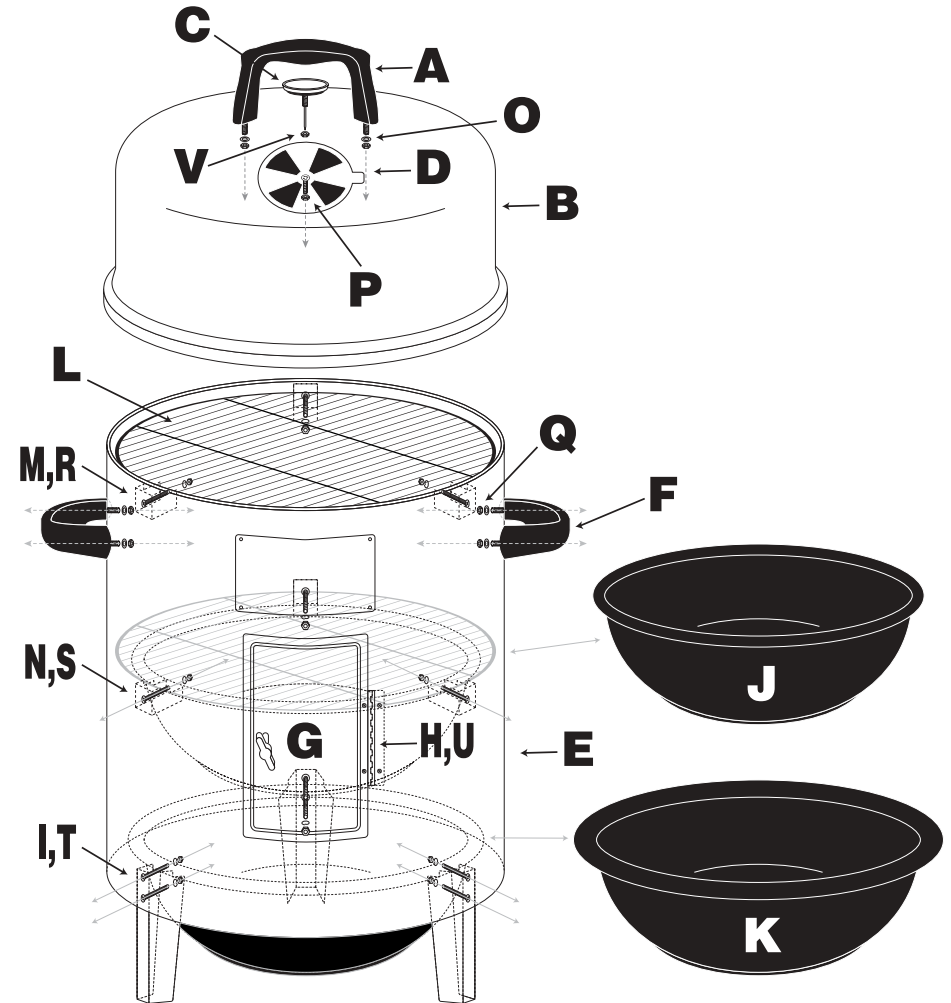
1. Stack approximately 45-50 briquets in a pyramid.
DO NOT OVERFILL CHARCOAL BOWL.
3. Add lighter fluid following lighter fluid instructions. Light charcoal.
LEAVE DOME LID OFF.
2. Once the flames die out and charcoal begins to ash over, spread coals out evenly and begin cooking.

Hot coals must be completely out and cooled before storing unit or leaving unattended.

WARNING:

SMOKER IS FOR OUTDOOR USE ONLY! DO NOT USE SMOKER INDOORS!
INDOOR USE CAN BE FATAL TO HUMANS AND/OR PETS.
NEVER LEAVE UNATTENDED WHILE IN USE.

ASSEMBLY INSTRUCTIONS:



STEP 1: Body & Leg Assembly

FIRST, Mount Legs **I**, to the Body **E** using six Bolts, Nuts and Washers **T** (two sets for each leg).

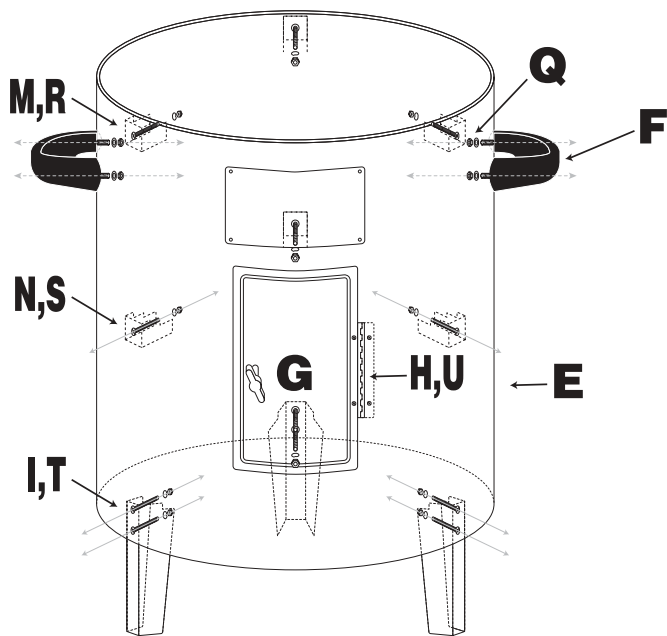
NEXT, Mount three Water Bowl Brackets **N**, to the Body **E** using three Bolts, Nuts and Washers **S** (one set for each leg).

Mount three Grill Brackets **M**, to the Body **E** using three Bolts, Nuts and Washers **R** (one set for each leg).

Last, mount Handles **F** to Middle Body **E** with Short Silver Bolts, Washers, Lock Washers and Nuts **Q** (two for each handle).

Mount Charcoal Door With Handle **G**, to the Body **E**, using Charcoal Door Hinge **H**, and four Charcoal Door Nuts and Bolts **U**.

NOTE: Do not completely tighten screws until the assembly is complete. For easier assembly we recommend two people assemble this product.

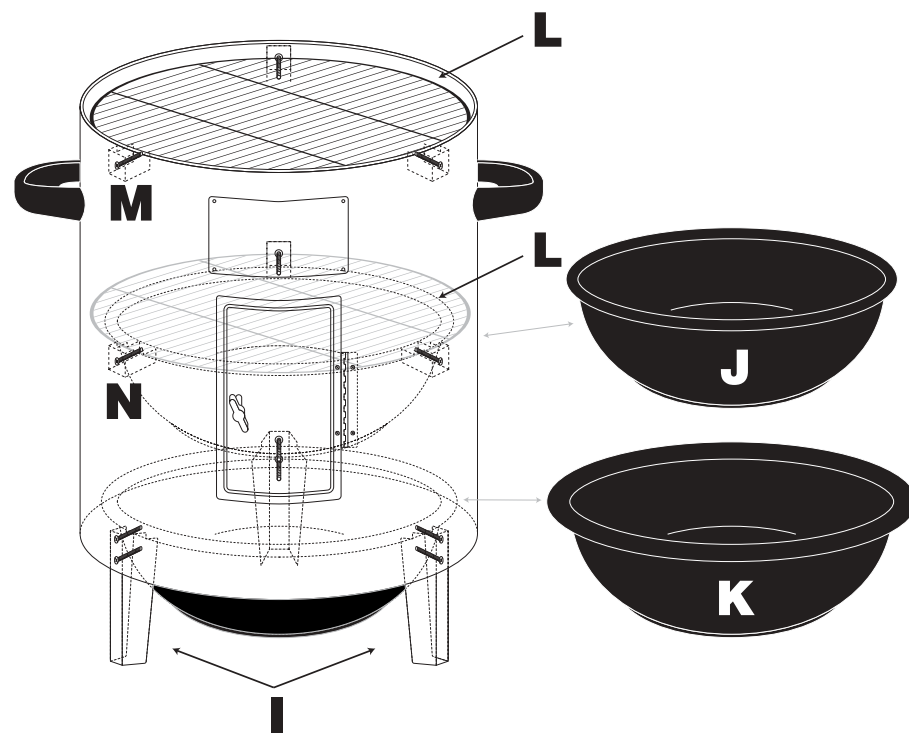


STEP 2: Body Assembly

FIRST, place the Charcoal Bowl **K**, on the top of the Legs **I**. Place the Water Bowl **J** on the Water Bowl Brackets **N**.

LAST, place one Grill Rack **L** on the Grill Rack Brackets **M**, and place one Grill Rack **L** on the Water Bowl Brackets **N**.

NOTE: Do not completely tighten screws until the assembly is complete. For easier assembly we recommend two people assemble this product.



Free Manuals Download Website

<http://myh66.com>

<http://usermanuals.us>

<http://www.somanuals.com>

<http://www.4manuals.cc>

<http://www.manual-lib.com>

<http://www.404manual.com>

<http://www.luxmanual.com>

<http://aubethermostatmanual.com>

Golf course search by state

<http://golfingnear.com>

Email search by domain

<http://emailbydomain.com>

Auto manuals search

<http://auto.somanuals.com>

TV manuals search

<http://tv.somanuals.com>