

INSTALLER/CONSUMER SAFETY INFORMATION

DO NOT INSTALL AN APPLIANCE IN THIS FIREBOX, UNLESS THIS FIREBOX MEETS THE MINIMUM DIMENSIONS REQUIRED FOR THE INSTALLATION.

WARNING: If the information in this manual is not followed exactly, a fire or explosion may result causing property damage, personal injury or loss of life.

FOR USE ONLY WITH A LISTED, GAS-FIRED, UNVENTED, DECORATIVE ROOM HEATER NOT TO EXCEED 40,000 BTU/H.

DO NOT BUILD A WOOD FIRE.

DUE TO HIGH TEMPERATURES, THE APPLIANCE SHOULD BE LOCATED OUT OF TRAFFIC AND AWAY FROM FURNITURE AND DRAPERIES.

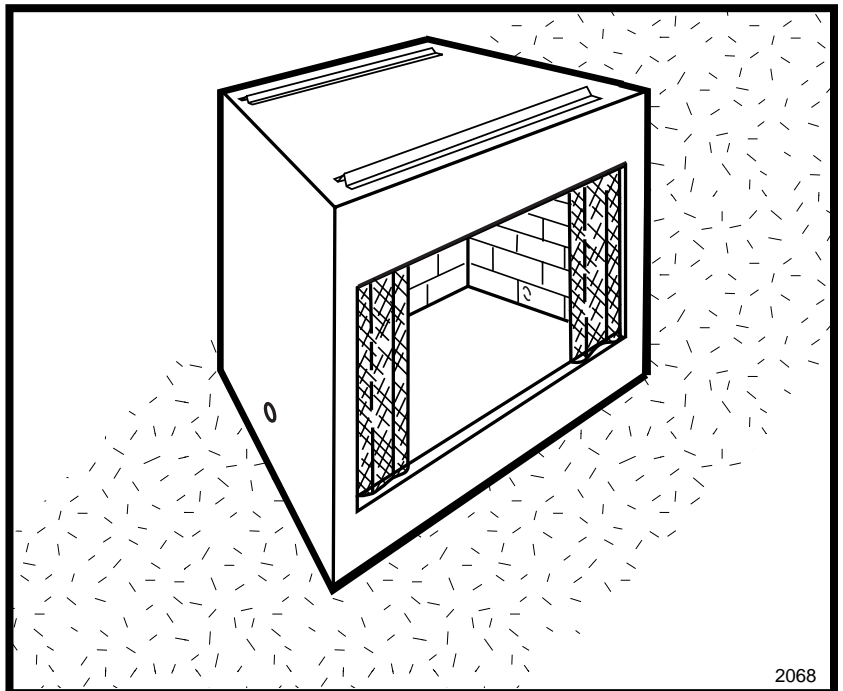
Do not attempt to modify or alter the construction of the appliance or its components. Any modification or alteration of construction may void the warranty of these units.

Do not store or use gasoline or other flammable vapors and liquids in the vicinity of this or any other appliance. Improper service or maintenance can cause injury or property damage. Refer to this manual. For assistance or additional information, consult a qualified installer, service agency or the gas supplier.

Carefully review the instructions supplied with the decorative type unvented room heater for the minimum fireplace size requirement.

MAJESTIC™ *Fireplaces*

Ventless Fireboxes Models: UVSRC36 UVSRC42



Homeowner's Installation and Operating Manual

These Ventless Fireboxes are design certified to ANSI 21.91.2001, and are for use with any ANSI Z21.11.2a Unvented Room Heaters.



CFM Specialty Home Products

410 Admiral Blvd. • Mississauga, Ontario, Canada L5T 2N6 • 905-670-7777
www.majesticproducts.com • www.vermontcastings.com

INSTALLER: DO NOT DISCARD THIS MANUAL - Leave in fireplace for homeowner.

20002068 2/04 Rev. 10

Description

The UVSRC models are ventless fireboxes designed for installation with any ventless gas log set certified to ANSI Z21.11.2a standards. Each model comes with a choice of optional hoods. Hood types may be used depending on the combustible mantel clearance above and in front of the firebox. (See the Accessories on Page 12 for details.)

Available Models:

UVSRC36 - Radiant Circulating Model
UVSRC42 - Radiant Circulating Model

For Your Safety

Do not place clothing or other flammable material on or near the appliance.

Children and adults should be alerted to the hazards of high surface temperatures and should stay away to avoid burns or clothing ignition.

Young children should be carefully supervised when they are in the same room as the appliance.

Table of Contents

Description and Available Models	2
Specifications and Framing	3
General Information	4
Clearances	5
Installation	6
Maintenance	10
Replacement Parts	11
Accessories	12

UVSRC36 Series Firebox Specifications

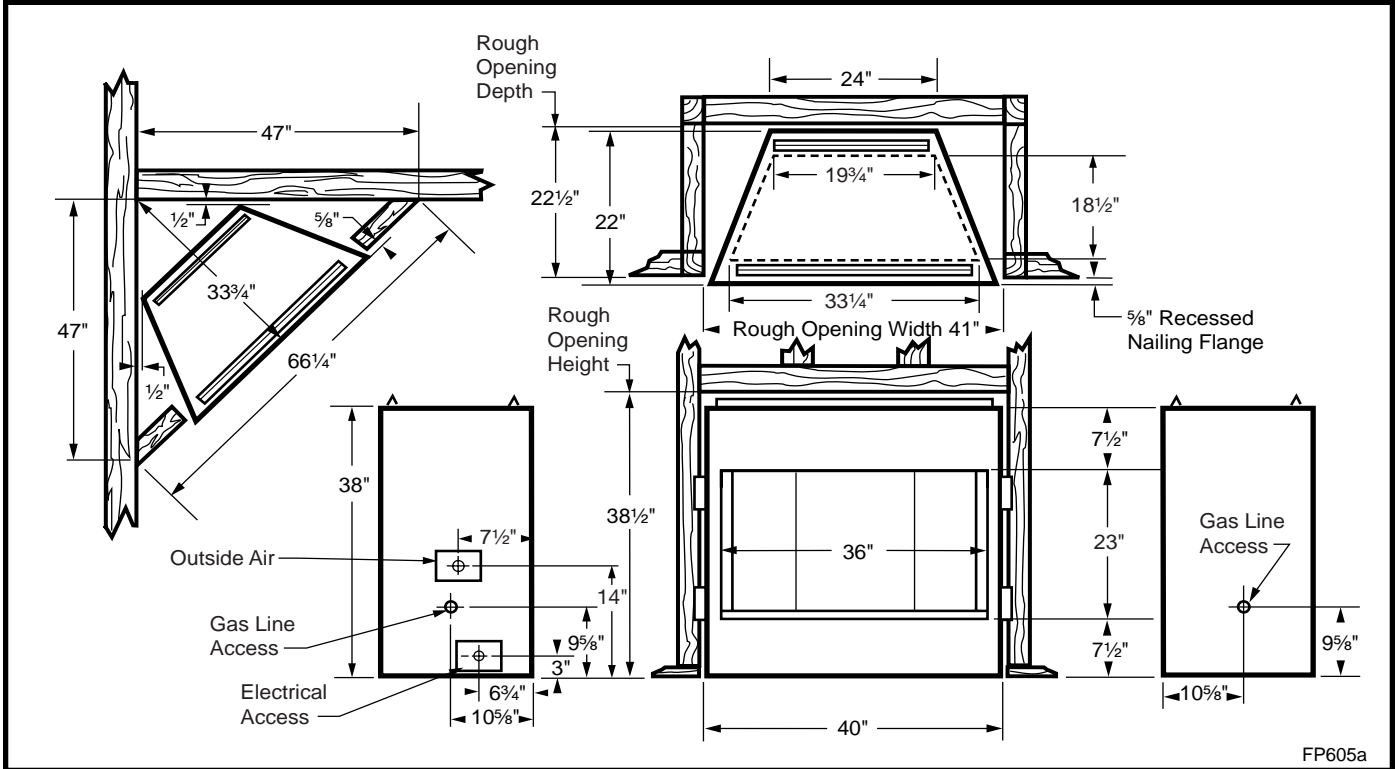


Fig. 1 UVSRC36 Series Firebox specifications and framing dimensions.

UVSRC42 Series Firebox Specifications

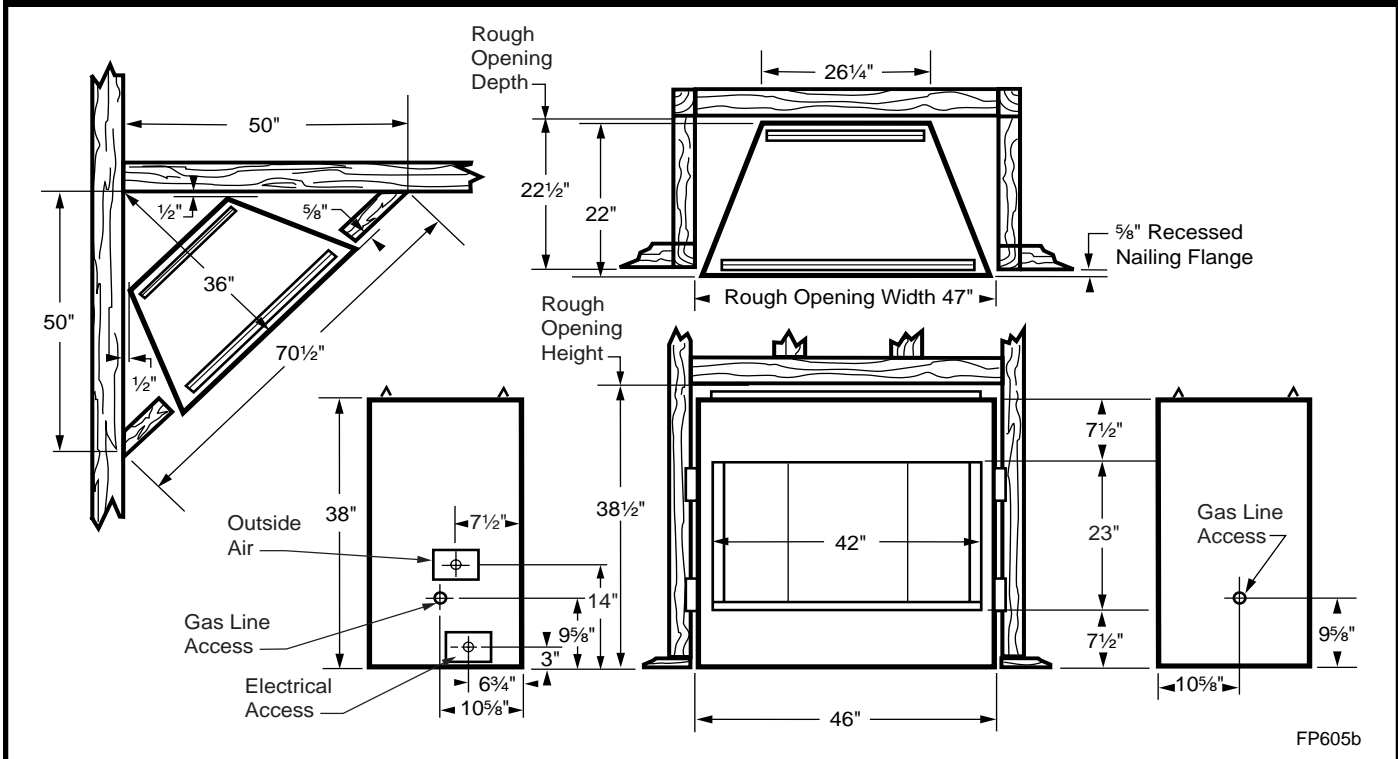


Fig. 2 UVSRC42 Series Firebox specifications and framing dimensions.

General Information



DO NOT BURN WOOD OR OTHER MATERIALS IN THESE FIREBOXES.

General Information

The installation must conform with local codes or, in the absence of local codes, with the National Fuel Gas Code, ANSI Z223.1 (latest edition) and with the National Electrical Code, ANSI/NFPA70 (latest edition).

NOTE: Installation and repair should be done by a qualified service person. The firebox should be inspected before use and at least annually by a qualified service person. More frequent cleaning may be required due to excessive lint from carpeting, bedding material, etc. It is imperative that control compartment, burners, and circulating air passageways of the firebox be kept clean.

Any safety screen or guard removed for servicing a firebox must be replaced prior to operating the firebox.

Provide adequate combustion and ventilation air.

The flow of combustion and ventilation air **MUST NOT** be obstructed.

Provide adequate clearance around air openings into the combustion chamber and adequate accessibility clearance for servicing and proper operation. **NEVER** obstruct the front opening of the firebox.

These models MAY NOT be installed in OEM mobile homes.

These models MAY BE installed in a bedroom provided the logset installed in the unit is certified and rated at 10,000 BTU's or less.

These models MAY NOT be installed in a bathroom.

Glass doors are NOT to be used on these fireboxes.

Installation Precautions

This CFM Specialty Home Products firebox and its components have been tested and will operate safely when installed in accordance with this installation Manual. Read all instructions before starting installation, then follow these instructions carefully during installation to maximize firebox benefit and safety.

Report to your dealer any parts damaged in shipment.

This firebox is a highly engineered system. Unless you use CFM Corporation components which have been designed for the system, you may create a possible fire hazard.

CFM Specialty Home Products warranty will be voided by, and CFM Specialty Home Products disclaims any responsibility for, the following actions:

- **Installation of any damaged firebox.**
- **Modification of the firebox or any of the component parts thereof.**
- **Installation other than as instructed by CFM Specialty Home Products**
- **Installation and/or use of any component part or accessory not manufactured or approved by CFM Specialty Home Products in combination or assembly with a Majestic Fireplaces firebox, notwithstanding any independent testing laboratory or other third party approval of such component part or accessory.**

Any such action may create a possible fire hazard.

Consult your local building codes.

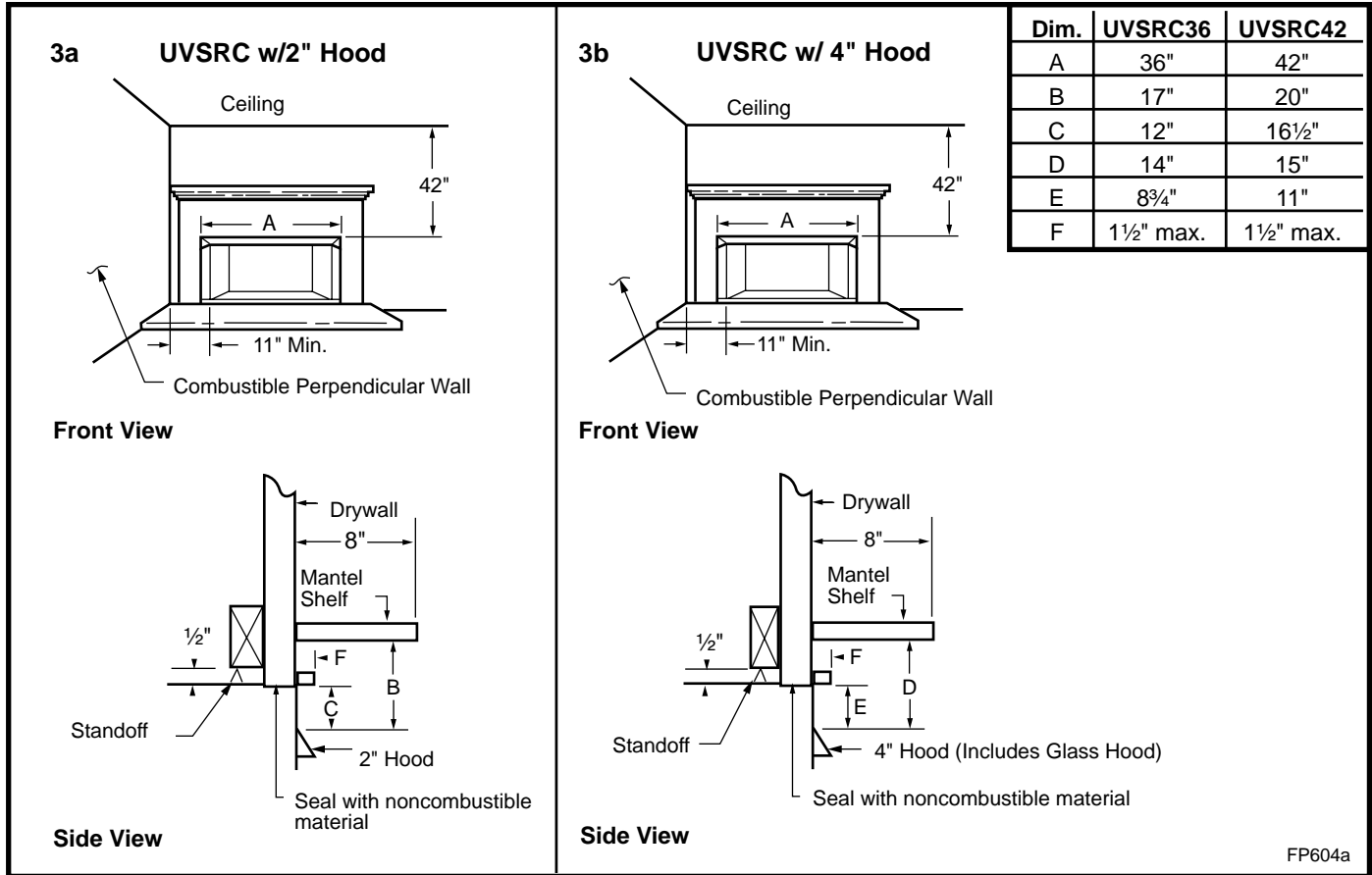
Proposition 65 Warning: Fuels used in gas, woodburning or oil fired appliances, and the products of combustion of such fuels, contain chemicals known to the State of California to cause cancer, birth defects and other reproductive harm.
California Health & Safety Code Sec. 25249.6

Fireplace Screen

The fireplace screen must be in place when the firebox is operating, and unless other provisions for combustion air are made, the screen must have openings for the introduction for combustion air.



WARNING: Be sure to read complete Vent-Free Gas Log Heater and Vent-Free Fireplace Installation and Operating Instructions before installing this product.



FP604a

Fig. 3 Clearances to combustibles.

Clearances

Sidewall Clearances:

The clearance from the side of the firebox to any combustibles wall extending in front of the unit should not be less than 11". (Fig. 3)

Back Wall Clearances:

The firebox may be placed against a combustibles back wall.

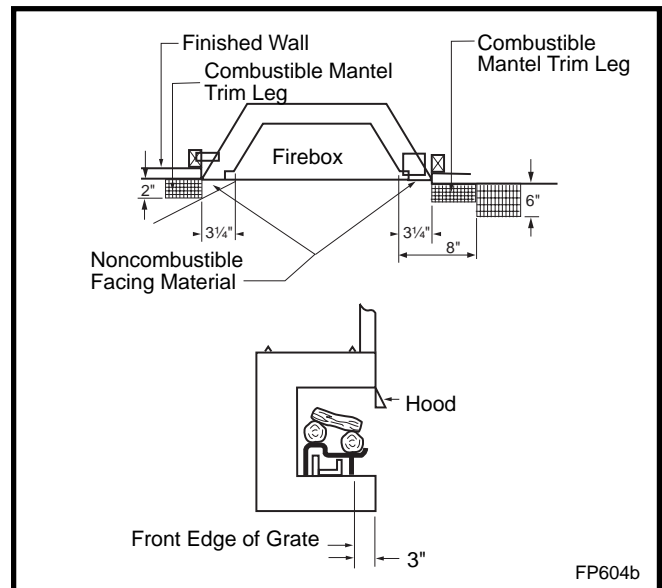
Ceiling Clearances:

The ceiling height should not be less than 42" from the top of the fireplace opening. (Fig. 3)

Mantel Clearances:

A 4" hood is furnished with each model firebox. This hood **MUST BE INSTALLED** before using the firebox, if a mantel falls within the dimensions and locations shown in Figure 3. Refer to Accessories on Page 13.

If a combustibles mantel or breast plate is installed, it must meet the clearance requirements detailed in Figure 3. If using a mantel with trim leg, maintain clearances detailed in Figure 4.



FP604b

Fig. 4 Clearances to combustibles.

NOTE: When installing an ANSI Z21.11.2a ventless appliance, the finishing material used for the mantel must be rated at 250°F or greater.

Grate Clearance:

The minimum clearance between the front legs of the grate and front edge of the fireplace is 3". (Fig. 4)

Installation

Planning

In planning the installation for the firebox it is necessary to determine where the unit is to be installed and whether optional accessories are desired. Gas supply piping should also be planned.

These models MAY NOT be installed in OEM mobile homes.

These models MAY BE installed in a bedroom provided the logset installed in the unit is certified and rated at 10,000 BTU's or less.

These models MAY NOT be installed in a bathroom.

Glass doors are NOT to be used on these fireboxes.

The firebox can be mounted on any of the following surfaces:

- A flat hard combustibile surface.
- A raised platform of combustibile or non-combustibile material.
- A concrete block or other solid object placed beneath each of the four corners of the appliance.

If the firebox is installed directly on carpeting, tile or other combustibile material other than wood flooring, it should be installed on a metal or wood panel extending the full width and depth of the unit.

At this point, you should have decided what components to include in your installation, and where the firebox is to be located. If this has not been done, stop and consult your dealer for assistance with this planning.

Framing

Firebox framing can be built before or after the firebox is set in place. Framing should be positioned to accommodate wall covering and firebox facing material. The firebox framing should be constructed of 2 x 4 or heavier lumber. The framing headers may rest on the top of the firebox standoffs. Refer to Figures 1 & 2 for firebox framing dimensions.

Anchor Firebox Into Position

To prevent shifting of the firebox and to maintain sealing (described later), anchor the firebox.

Use the four fastening tabs provided with the firebox and nails or other suitable fasteners to secure the firebox to vertical framing members. (Fig. 5)

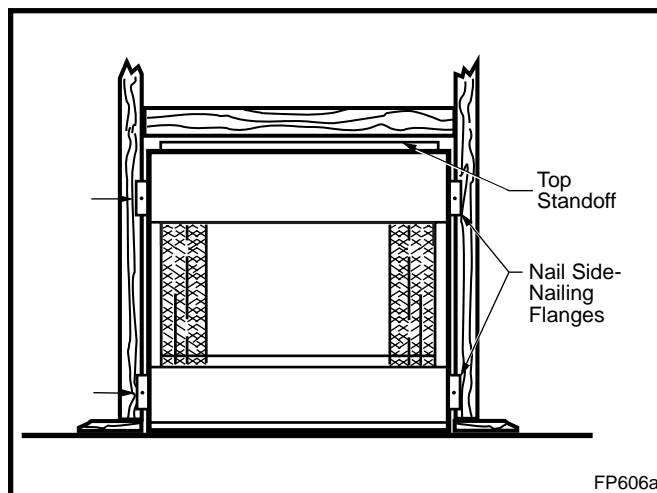


Fig. 5 Fasten firebox in position using the nailing flanges.

Installing Outside Air Kit

An outside air kit may be installed in all UVSRC Series fireboxes. If desired, or if local codes mandate the use of an air kit, then an AKU1 is required to complete the installation (from air kit to the outdoors). If the outside air kit is to be used, the AKU1 **MUST** be installed **BEFORE** the fireplace is enclosed. Refer to the AKU1 instructions for field installation.

Connect the Gas Line

Gas access holes are provided on both sides of the firebox.

Check gas valve type. Use only the gas type indicated on the gas log rating plate. If the gas listed on the plate is not your type of gas supply, **DO NOT INSTALL**. Contact your Dealer for proper model.

Always use an external regulator for all LP fireboxes to reduce the supply tank pressure to a maximum of 14" w.c. This is in addition to the regulator fitted to the vent-free heater.



WARNING: CONNECTION DIRECTLY TO AN UNREGULATED LP TANK CAN CAUSE AN EXPLOSION.

For final connection of the gas log heater to the gas line see Section 5 and Figure 6.

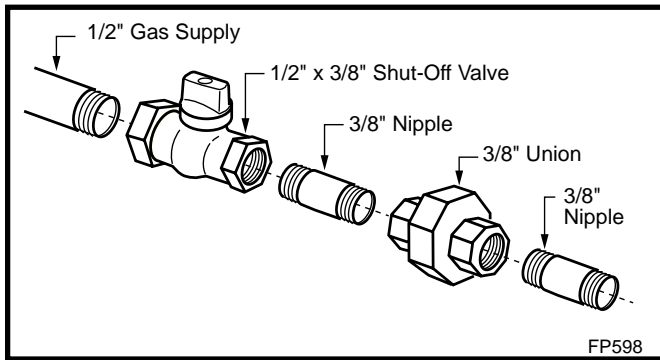


Fig. 6 Typical gas supply line.

Install Gas Log Heater

1. Connect a shutoff valve, union and any required approved fittings (See NOTE below) between the valve and the gas line.

Access to the gas line on the UVSRC Series firebox is made through the left or right side of the firebox.

From the inside of the firebox, locate the knockout on the firebrick - be sure you are on the appropriate or gas line side of the firebox. Using a flat bladed screwdriver or small chisel and hammer, carefully tap around the knockout until it loosens and falls out.

2. Install the Vent-Free Gas Log Heater exactly as described in the instructions for the heater. If, for any reason, you do not have these instructions, contact your dealer or manufacturer for another copy.

NOTE: The gas line connection to the log set can be made with 3/8" copper tubing approved for propane or natural gas, 1/2" rigid pipe, or an approved flex connector. Because some municipalities have additional local codes, it is always best to consult your local authority.

U.S. INSTALLATIONS — Follow local codes and the National Fuel Gas Code ANSI Z223.1.



Always check for gas leaks with a mild soap and water solution. Do not use an open flame for leak testing.

When using copper or flex connector, use only approved fittings. **Always provide a union** so that the gas line can easily be disconnected for burner or fan servicing. See gas specifications for pressure details and ratings.

Electrical Connection

The UVSRC36/42 with optional fan requires 120VAC electrical hook-up.

CAUTION: All wiring should be done by a qualified electrician and shall be in compliance with all local, city and state building codes. Before making the electrical connection, make sure that the main power supply is disconnected. The firebox, when installed, must be electrically grounded in accordance with local codes or, in the absence of local codes, with the National Electrical Code ANSI/NFPA 70 (latest edition).

EB1 Receptacle Hook-Up



Wiring should be installed by a certified electrician.

Turn off circuit breaker before wiring models.

Once the firebox is secured, complete wiring the fan kit. Remove knockout in the center of the back of the EB1 and install listed cable clamps. Feed electrical wire through cable clamp leaving approximately 6" of wire exposed through the EB1. Secure the cable clamp to the wire.

Attach white wire from power source to one wire of receptacle and secure with a nut. Attach black wire from power source to the other wire of the receptacle and secure with a nut. Be sure nuts are tightened securely.

Secure the EB1 assembly to the inside of the electrical box cover plate using 2 screws. Attach the cover to the face of the EB1 while being careful to position the excess wire completely within the EB1. Attach the coverplate to the firebox. (Fig. 7)

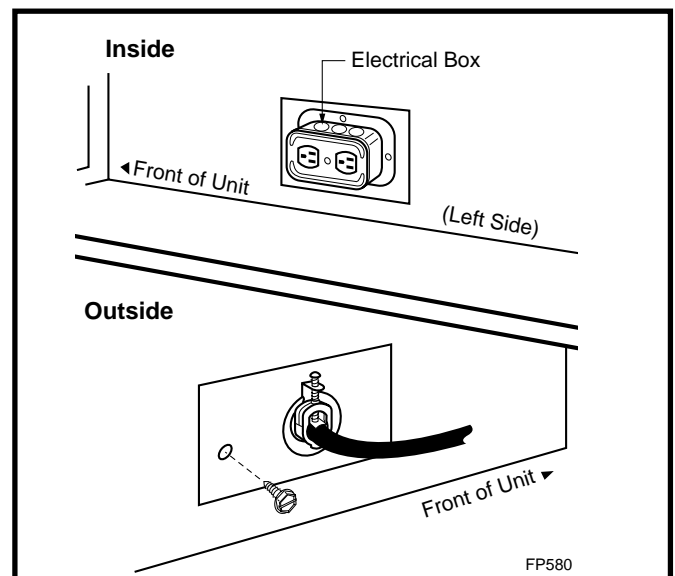


Fig. 7 Junction box (EB-1) hook-up.

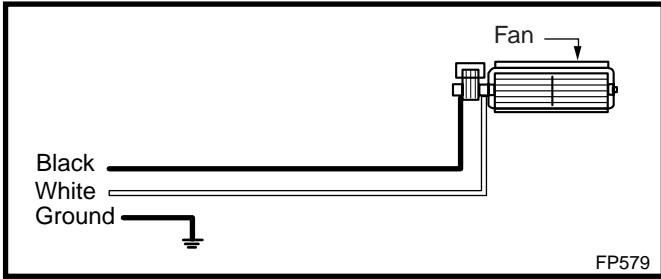


Fig. 8 Wiring diagram.

Install Fan Kit Assembly

Refer to the Fan Kit (Model FK12) installation instructions for field installation. (Fig. 8)

WHEN INSTALLED, THE FIREBOX MUST BE ELECTRICALLY CONNECTED AND GROUNDED (See Figure 14) IN ACCORDANCE WITH LOCAL CODES, OR IN THE ABSENCE OF LOCAL CODES:

U.S. INSTALLATIONS — Follow local codes and the National Electrical Code ANSI/NFPA No. 70.

Cold Climate Insulation

In cold climates, insulation of the enclosure around the firebox is suggested to avoid problems with cold air.

Insulating the enclosure around the firebox is recommended, but not a requirement.

The following steps are suggested to minimize cold air problems.

Insulate the base of the firebox with a noncombustible insulation. This step is particularly important for outside wall installations over concrete slab floor construction. If a platform is used to raise the firebox, the insulation should be placed on top of the platform before the firebox is set. (Fig. 9)

Refer to Page 5, Figure 3 for minimum clearances to combustibles.

Inspect joints of the firebox as well as the points of sealing between the firebox and the finishing materials. Any cracks should be sealed with noncombustible caulking or insulation. Refer to Figures 9 and 10 for details of sealing between the firebox and finishing materials.

When a firebox is installed in a chase or on an outside wall, the enclosure should be insulated like any other outside wall of the home. Plywood or hardboard may be placed on the standoffs and insulation placed on this surface. (Fig. 10) Noncombustible insulation, such as vermiculite, Perlite, Zonalite or unfaced fiberglass insulation, may be used between the exterior of the firebox and chase drywall up to 1" from the top of the firebox.

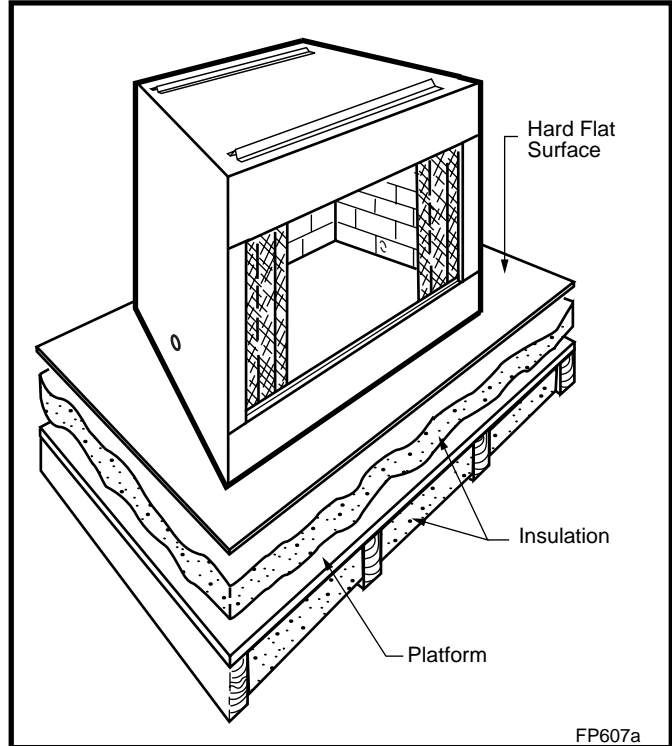


Fig. 9 Insulation between firebox and platform.

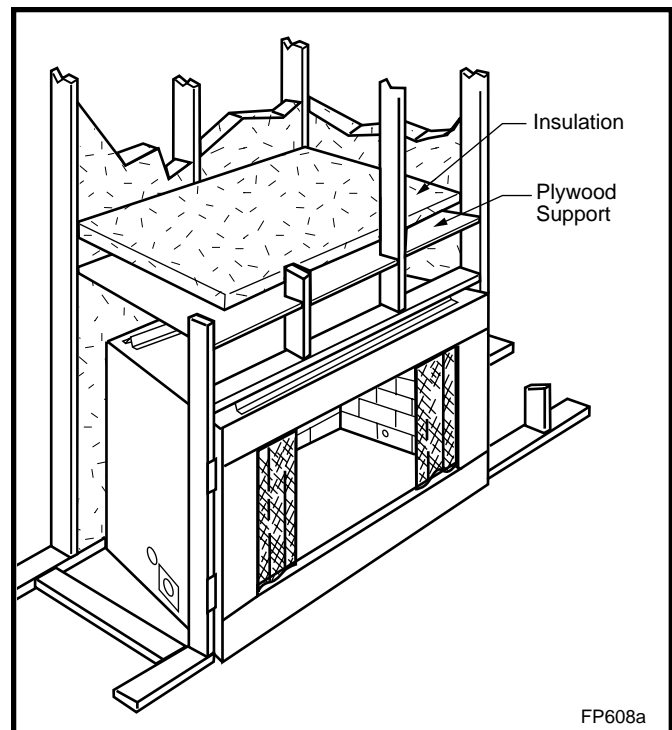


Fig. 10 Additional insulating methods.

Finishing

Refer to Page 5, Figure 3 for allowable finishing materials and clearances to combustibles.

All joints, top, bottom and sides, where the wall or decorative facing material meets the firebox surround must be completely sealed with a noncombustible material. (Figs. 11-14)

NOTE: Do not install combustible materials on any of the black fireplace surround.

Hearth Extension

A hearth extension may be used but is not required for these fireboxes.

A raised hearth extension may be used as shown in Figure 15.

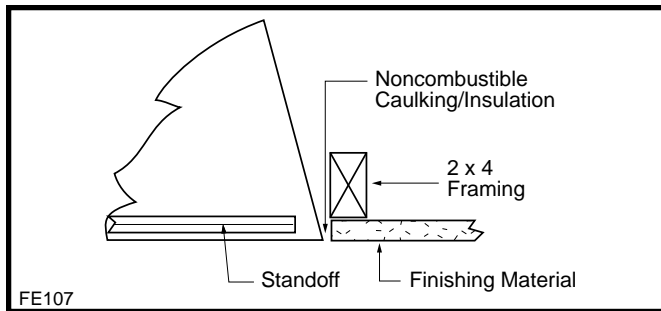


Fig. 11 Sealing spaces between appliance and finishing materials.

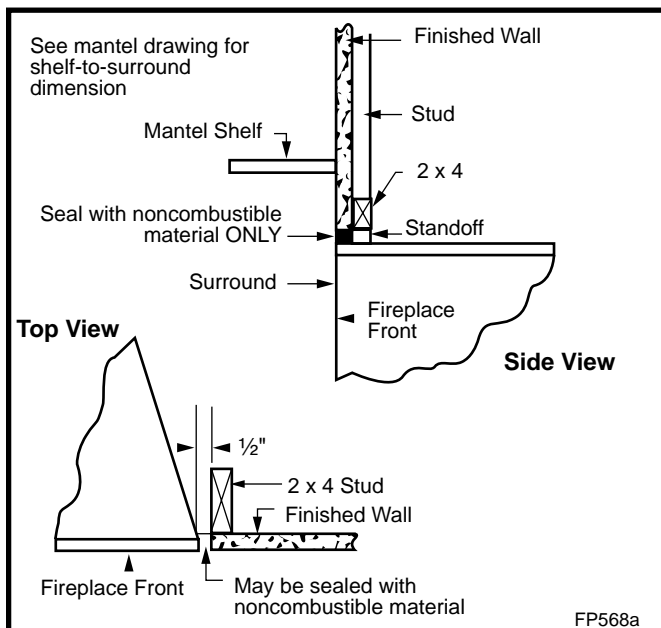


Fig. 12 Surround flush with finished wall.

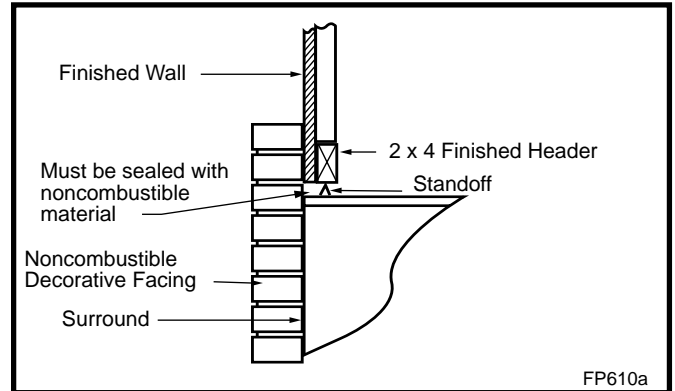


Fig. 13 Appliance surround flush with finished wall.

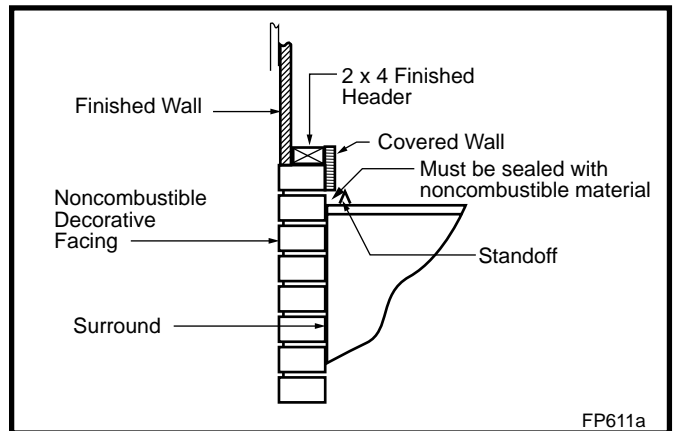


Fig. 14 Facing on firebox flush with finished wall.

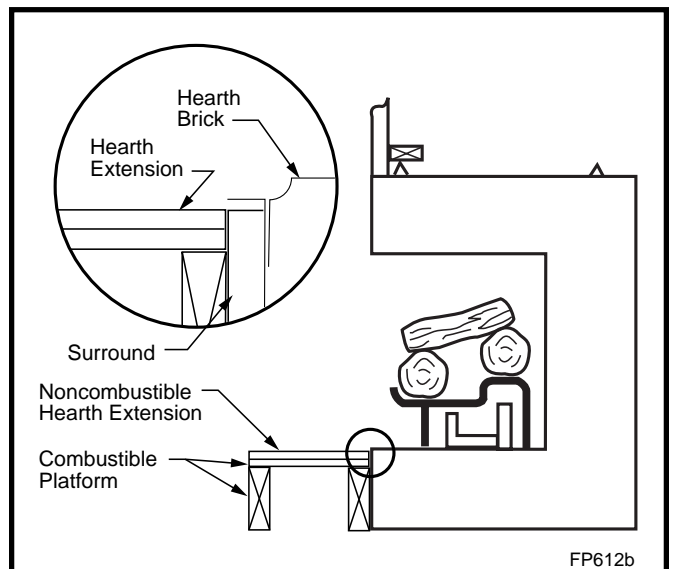


Fig. 15 Side view of firebox with raised hearth extension.

Install Hood

A hood is furnished with the firebox. Optional hoods listed on Page 12 may be installed as shown in Figures 16 and 17. Failure to do so may create a fire hazard.

WARNING: When the black surround is covered by a brick surface, (Figure 16), use an extended hood. The hood should extend out to the brick surface (Figures 16 and 17) and be attached to the firebox. The maximum brick to noncombustible surface that may extend out past the black surround surface is 4¼".

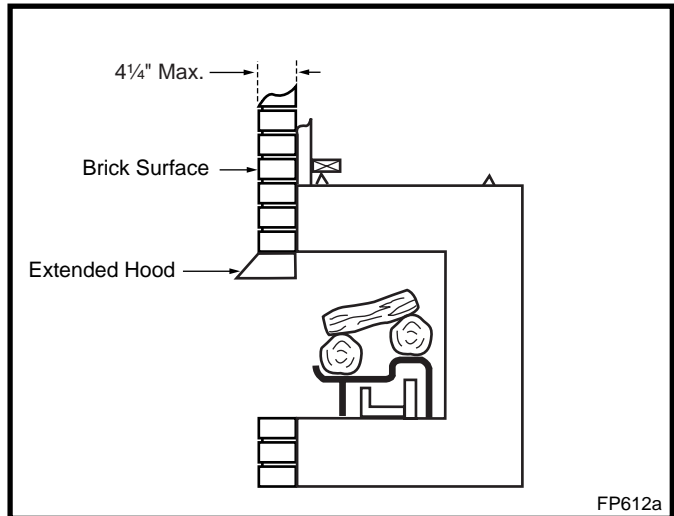


Fig. 16 Side view of firebox with extended hood.

Maintenance

Keep the control compartment, logs and burner area surrounding the logs clean by carefully vacuuming or brushing at least twice a year or as necessary.

THE LOGS CAN GET VERY HOT — HANDLE ONLY WHEN COOL.

Always turn off the gas to the pilot before cleaning. For relighting, refer to the lighting instructions located on the Rating Plate of the gas log set.

Never obstruct the flow of combustion and ventilation air. Keep the front of the appliance clear of all obstacles and materials.

Leave at least a 36" clearance from the front of the firebox to any room furnishings.

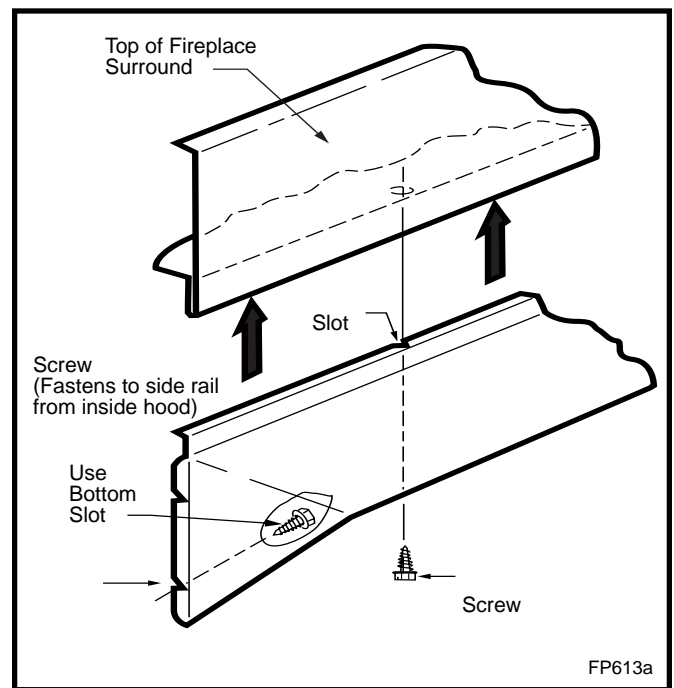
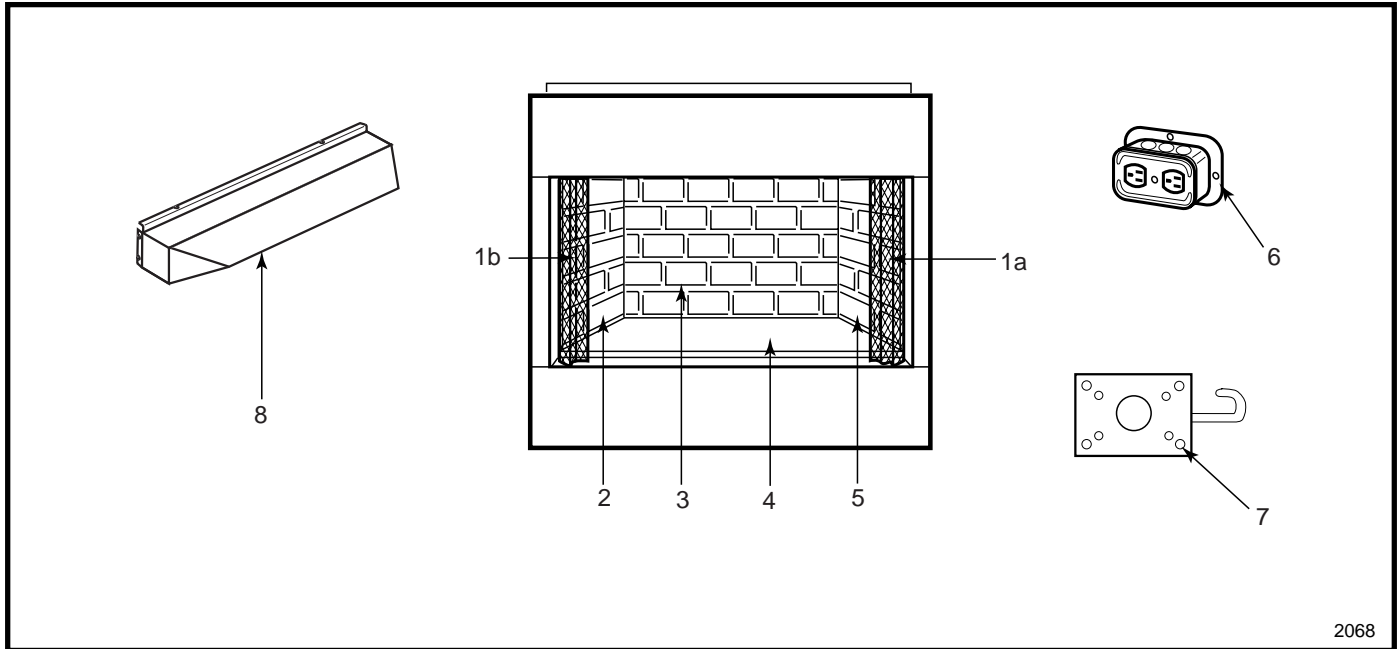


Fig. 17 Hood location.



CFM Specialty Home Products reserves the right to make changes in design, materials, specifications, prices and discontinue colors and products at any time, without notice.

UVSRC36/42

Ref.	Description	UVSRC36	UVSRC42
1a.	Right Screen Assembly (Screens and Rod)	20002084	20002084
1b.	Left Screen Assembly (Screens and Rod)	20002081	20002081
2.	Brick - Left Side	20002008	20002021
3.	Brick - Back	20002006	20002019
4.	Brick - Ash Lip	20002017	20001857
5.	Brick - Right Side	20002007	20002020
6.	EB1 Junction Box	EB1	EB1
7.	O.S.A. Assy	20003076	20003076
8.	Hood - 4", Black	UV36BH4	UV42BH4

Accessories

The following accessories for these appliances are available from your local Majestic Fireplaces distributor. **Each accessory comes with a separate installation instruction for mounting to the particular firebox.** Be sure to read each instruction thoroughly before installing.

See your Majestic Fireplaces distributor or dealer for other finishing options such as marble and mantels — available in a wide selection of styles.

Accessory	Description	Model Number	
Fan Kit	Provides forced air flow	FK12	
Variable Speed Control	Provides speed adjustment of fans	SCVS	
Outside Air Termination	Completes connection from air kit to out-of-doors	AKU1	
		Black Finish	Polished Brass Finish
2" Hood	For mantel 8" wide by 10" high	UV36BH2 UV42BH2	UV36PH2 UV42PH2
4" Hood	For mantel 8" wide by 10" high		UV36PH4 UV42PH4
4" Hood	Glass Hood for mantel 8" wide by 10" high	UV36GH4 UV42GH4	
4" Hood	Extended hood for brick facings and mantel 8" wide by 10" high	UV36BH4E UV42BH4E	UV36PH4E UV42PH4E

CAUTION: This firebox is a highly engineered system, and, as such, must be operated only with CFM Specialty Home Products approved components. If you use an unapproved component to make any modifications, you may create a possible fire hazard and will void the CFM Specialty Home Products warranty. In addition, such action may void the coverage provided by the owner's insurance.

Contact CFM Specialty Home Products for questions concerning prices and policies covering replacement parts. Parts may be ordered through your Majestic Fireplaces distributor or dealer.

You will need the following information when ordering replacement parts:

1. The firebox model number.
2. The firebox serial number.
3. A description of the part.

Should you need additional information beyond what your dealer can furnish, contact:

CFM Specialty Home Product
 410 Admiral Blvd.
 Mississauga, Ontario
 Canada L5T 2N6
 Attn: Customer Service

FIREBOX

Model and serial numbers are listed on the rating plate (located on right side of combustion chamber).

Record your model and serial numbers here for future reference:

Model # _____

Serial # _____

VENT-FREE LOG HEATER

Record your model and serial numbers here for future reference:

Model # _____

Serial # _____



LIMITED WARRANTY & 30 YEAR PROTECTION PLAN

For MAJESTIC FIREPLACES® PRE-ENGINEERED Fireplace Systems

CFM Specialty Home Products warrants its MAJESTIC FIREPLACES® Pre-Engineered Fireplace ("Fireplace") and the CFM Specialty Home Products supplied firegrate, glass doors, outside air system, fan motor, and liners to be free from defects in material or workmanship, as follows:

A. Fireplace and Chimney Components: (exclusive of CFM Specialty Home Products-supplied firegrate, glass doors, outside air system, fan motor, and liners all of which are covered by separate warranties under paragraphs B through D below): At its option for a period of thirty (30) years from the date the Fireplace is installed, CFM Specialty Home Products will;

(1) For a period of five (5) years from the date the Fireplace is installed, CFM Specialty Home Products, at its option, will repair or replace any defective part without charge.

(2) Thereafter, through the 10th year after the date the Fireplace is installed, if replacement parts are available, CFM Specialty Home Products will provide a replacement for any defective part without charge for the part itself. The consumer must pay for everything else other than the part.

(3) Thereafter, through the 30th year after the date the Fireplace is installed, if replacement parts are available, CFM Specialty Home Products will provide a replacement for any defective part at a cost to the consumer of CFM Specialty Home Products then current list price, FOB CFM Specialty Home Products factory.

B. Firegrate, Glass Doors, Outside Air System:

For a period of 90 days from the date the Fireplace is installed CFM Specialty Home Products, at its option, will provide a replacement for any defective part, without charge for the part itself, FOB CFM Specialty Home Products factory, (The consumer must pay for everything else other than the part,).

C. Fan Motor:

(1) For a period of one (1) year from the date the Fireplace is installed, CFM Specialty Home Products, at its option, will repair or replace any defective part without charge.

(2) Thereafter, through the 30th year after the date the Fireplace is installed CFM Specialty Home Products, at its option, if replacement parts are available, will provide a replacement for any defective part at a cost to the consumer of CFM Specialty Home Products then current list price, FOB CFM Specialty Home Products factory.

D. Liners (Refractory or Metal):

(1) For a period of two (2) years from the date the Fireplace is installed, CFM Specialty Home Products, at its option, will repair or replace any defective part without charge.

(2) Thereafter, through the 30th year after the date the Fireplace is installed CFM Specialty Home Products, if replacement parts are available, will provide a replacement for any defective part at a cost to the consumer of CFM Specialty Home Products then current list price, FOB CFM Specialty Home Products factory.

This warranty is subject to the following conditions and limitations:

(1) This warranty is extended only to a Fireplace installed in the continental United States, the state of Alaska and Canada; only if and so long as the Fireplace is installed according to the installation instructions furnished with the Fireplace, and operated at all times under normal conditions, use and service

according to the operative instructions furnished with the Fireplace, and only if and so long as the Fireplace is not removed from its original installation.

(2) This warranty is non-transferrable, and is made to the original owner, provided that the purchase was made through an authorized supplier of the Company.

(3) The sole and exclusive remedies for breach of any warranties hereunder shall be for the repair, replacement or provision of a replacement part at CFM Specialty Home Products then current list price, FOB CFM Specialty Home Products factory, for any defective part as specified in paragraphs A through D.

(4) CFM Specialty Home Products shall not be liable for damage from any smoking of a MAJESTIC FIREPLACES Pre-Engineered Fireplace System related to environmental geographic conditions (such as, for example, nearby structures or roof peaks, trees, hills, or mountains), inadequate ventilation, or negative air pressure in the place where the Fireplace system is installed, related to any mechanical system (such as, for example, furnaces, fans, air conditioners, clothes dryers, etc.)

(5) Except as otherwise expressly specified in paragraphs A through D, NONE OF THESE WARRANTIES COVER, AND CFM SPECIALTY HOME PRODUCTS SHALL NOT BE RESPONSIBLE FOR, ANY CONSTRUCTION, INSTALLATION, LABOR, TRANSPORTATION OR OTHER COSTS OR EXPENSES ARISING FROM A DEFECTIVE PART, ITS REPAIR OR REPLACEMENT OR OTHERWISE, NOR SHALL CFM SPECIALTY HOME PRODUCTS IN ANY EVENT BE RESPONSIBLE FOR ANY INDIRECT, INCIDENTAL OR CONSEQUENTIAL DAMAGES EXCEPT TO THE EXTENT REQUIRED BY LAW. Some states do not allow the exclusion or limitation of incidental or consequential damages, so this exclusion or limitation may not apply to you.

NO IMPLIED WARRANTIES, INCLUDING THE IMPLIED WARRANTIES OF MERCHANTABILITY AND FITNESS FOR A PARTICULAR PURPOSE, SHALL REMAIN IN EFFECT AFTER THE EXPIRATION OF THE WARRANTIES SET FORTH IN PARAGRAPHS A THROUGH D. Some states do not allow limitations on how long an implied warranty lasts, so this limitation may not apply to you.

In order to obtain performance of any of the above warranty obligations write to CFM Specialty Home Products at this address:

CFM Specialty Home Products
410 Admiral Blvd.
Mississauga, Ontario, Canada L5T 2N6
Attention: Director of Warranty Services

Since local building requirements may vary greatly throughout the country, users of CFM Specialty Home Products products should determine in advance whether there are any building code restrictions on the use of a specific product. CFM SPECIALTY HOME PRODUCTS MAKES NO REPRESENTATION OR WARRANTY REGARDING, AND SHALL NOT BE RESPONSIBLE FOR, ANY BUILDING CODE COMPLIANCE.

The foregoing warranties give you specific legal rights and you may also have other rights which vary from state to state.

CFM Specialty Home Products

410 Admiral Blvd. • Mississauga, Ontario, Canada L5T 2N6 • 905-670-7777
www.majesticproducts.com • www.vermontcastings.com

© CFM Specialty Home Products

Free Manuals Download Website

<http://myh66.com>

<http://usermanuals.us>

<http://www.somanuals.com>

<http://www.4manuals.cc>

<http://www.manual-lib.com>

<http://www.404manual.com>

<http://www.luxmanual.com>

<http://aubethermostatmanual.com>

Golf course search by state

<http://golfingnear.com>

Email search by domain

<http://emailbydomain.com>

Auto manuals search

<http://auto.somanuals.com>

TV manuals search

<http://tv.somanuals.com>