



P/N 850033M Rev. G 01/2011

This manual is one of a set of two supporting this product. Refer to P/N 875031M for Care and Operation Instructions.

Ce manuel est disponible en français, simplement en faire la demande. Numéro de la pièce 850033CF.

INSTALLATION INSTRUCTIONS

**MPB B-Vent
Gas Fireplaces**

**MERIT™ Plus
SERIES**

MODELS

MILLIVOLT:

MPB3328CNM-B MPB3530CPM-B
MPB3328CPM-B MPB4035CNM-B
MPB3530CNM-B MPB4540CNM-B

ELECTRONIC:

MPB3328CNE-B MPB4035CNE-B
MPB3530CNE-B MPB4540CNE-B



OTL Report No. 116-F-36-5

INSTALLER: Leave this manual with the appliance.
CONSUMER: Retain this manual for future reference.
INSTALLATEUR : Laissez cette notice avec l'appareil.
CONSOMMATEUR : Conservez cette notice pour consultation ultérieure.

This appliance may be installed in an aftermarket permanently located, manufactured home (USA only) or mobile home, where not prohibited by local codes. This appliance is only for use with the type of gas indicated on the rating plate. This appliance is not convertible for use with other gases unless a certified kit is used.

! WARNING / AVERTISSEMENT / AVISO

- HOT GLASS WILL CAUSE BURNS.
- DO NOT TOUCH GLASS UNTIL COOLED.
- NEVER ALLOW CHILDREN TO TOUCH GLASS.



- UNE SURFACE VITRÉE CHAUDE PEUT CAUSER DES BRÛLURES.
- LAISSER REFROIDIR LA SURFACE VITRÉE AVANT D'Y TOUCHER.
- NE PERMETTEZ JAMAIS À UN ENFANT DE TOUCHER LA SURFACE VITRÉE.

- EL VIDRIO CALIENTE CAUSARÁ QUEMADURAS.
- USTED DEBE NUNCA TOCAR EL VIDRIO CALIENTE.
- LOS NIÑOS DEBEN NUNCA TOCAR EL VIDRIO.

WARNING: If the information in these instructions is not followed exactly, a fire or explosion may result, causing property damage, personal injury, or death.

- Do not store or use gasoline or other flammable vapors and liquids in the vicinity of this or any other appliance.
- **WHAT TO DO IF YOU SMELL GAS:**
 - Do not try to light any appliance.
 - Do not touch any electrical switch; do not use any phone in your building.
 - Immediately call your gas supplier from a neighbor's phone. Follow the gas supplier's instructions.
 - If you cannot reach your gas supplier, call the fire department.
- Installation and service must be performed by a qualified installer, service agency or the gas supplier.

AVERTISSEMENT : Assurez-vous de bien suivre les instructions données dans cette notice pour réduire au minimum le risque d'incendie ou d'explosion ou pour éviter tout dommage matériel, toute blessure ou la mort.

- Ne pas entreposer ni utiliser d'essence ni d'autres vapeurs ou liquides inflammables dans le voisinage de cet appareil ou de tout autre appareil.
- **QUE FAIRE SI VOUS SENTEZ UNE ODEUR DE GAZ :**
 - Ne pas tenter d'allumer d'appareil.
 - Ne touchez à aucun interrupteur. Ne pas vous servir des téléphones se trouvant dans le bâtiment où vous trouvez.
 - Appelez immédiatement votre fournisseur de gaz depuis un voisin. Suivez les instructions du fournisseur.
 - Si vous ne pouvez rejoindre le fournisseur de gaz, appelez le service des incendies.
- L'installation et l'entretien doivent être assurés par un installateur ou un service d'entretien qualifié ou par le fournisseur de gaz.

TABLE OF CONTENTS

Packaging	Page 2
Introduction	Page 2
General Information	Page 2
Massachusetts and New York Requirements.....	Page 4
Cold Climate Insulation	Page 5
Manufactured Home Requirements ..	Page 5
Location	Page 5
Vent Termination Clearances	Page 6
Appliance and Vent Clearances	Page 7
Detailed Installation Steps	Page 8
Typical Installation Sequence	Page 8
Step 1. Framing.....	Page 8
Framing Specifications.....	Page 9
Fireplace Specifications.....	Page 10
Step 2. Routing Gas Line.....	Page 11
Step 3. Install the Venting System..	Page 12
Step 4. Field Wiring.....	Page 13
Step 5. Optional Forced Air Blower.	Page 14
Step 6. Connecting Gas Line	Page 14
Step 7. Outside Air Kit Installation .	Page 15
Step 8. Verify Unit Operation.....	Page 16
Step 9. Install Grate, Vermiculite Embers & Logs	Page 16
Step 10. Installing Glass Enclosure Panels	Page 21
Step 11. Burner Adjustment.....	Page 22
Step 12. Vent Operation Test and Safety Limit Switch Operation.....	Page 23
Step 13. Hood Installation.....	Page 24
Finishing Requirements	Page 24
Step 14. Attaching Safety-in-Operation Warnings	Page 25
Gas Conversion Kits	Page 26

Please read and understand these instructions before beginning your installation.



We recommend that our gas hearth products be installed and serviced by professionals who are certified in the U.S. by the National Fireplace Institute® (NFI) as NFI Gas Specialists.

PACKAGING LIST

The assembled vented gas fireplace is packaged with:

- 1 - One log set located in firebox area.
- 2 - One envelope containing the literature package which consists of the care and operation manual, installation instructions, safety in operation warning labels and warranty; envelope is located in the control area.
- 3 - One hood located behind the top panel.
- 4 - One bag of decorative volcanic stone located in the control area.
- 5 - One bag of glowing embers (rockwool) located in the control area.

INTRODUCTION

The *Millivolt* appliances have a millivolt gas control valve with piezo ignition system. If any optional accessories which require electrical power are being installed, the electrical power must be provided at the time of appliance installation.

The *Electronic* appliances have an electronic intermittent pilot ignition system. External electrical power is required to operate these units.

Use Only These Approved Vent Components

- These vented gas fireplaces are designed for residential applications. They must be installed with approved Type-B, double wall vent pipe systems and a listed vent termination routed to the outside atmosphere. Use only the proper size listed below.

Required Pipe Diameter:

- MPB-3328 series:** Requires 4 in. (102 mm)
- MPB-3530 series:** Requires 5 in. (127 mm)
- MPB-4035 series:** Requires 5 in. (127 mm)
- MPB-4540 series:** Requires 6 in. (152 mm)

GENERAL INFORMATION

! WARNING

B-Vent appliances are not designed to operate in negatively pressured environments (pressure within the home is less than pressures outside). Significant negatively pressured environments caused by weather, home design, or other devices may impact the operation of these appliances. Negative pressures may result in poor flame appearance, sooting, damage to property and/or severe personal injury. Do not operate these appliances in negatively pressured environments.

! WARNING

Young children should be carefully supervised when they are in the same room as the appliance. Toddlers, young children and others may be susceptible to accidental contact burns. A physical barrier is recommended if there are at risk individuals in the house. To restrict access to a fireplace or stove, install an adjustable safety gate to keep toddlers, young children and other at risk individuals out of the room and away from hot surfaces.

! AVERTISSEMENT

Les jeunes enfants devraient être surveillés étroitement lorsqu'ils se trouvent dans la même pièce que l'appareil. Les tout petits, les jeunes enfants ou les adultes peuvent subir des brûlures s'ils viennent en contact avec la surface chaude. Il est recommandé d'installer une barrière physique si des personnes à risques habitent la maison. Pour empêcher l'accès à un foyer ou à un poêle, installez une barrière de sécurité; cette mesure empêchera les tout petits, les jeunes enfants et toute autre personne à risque d'avoir accès à la pièce et aux surfaces chaudes.

Children and adults should be alerted to the hazards of high surface temperature and should stay away to avoid burns or clothing ignition.

Les enfants et les adultes devraient être informés des dangers que posent les températures de surface élevées et se tenir à distance afin d'éviter des brûlures ou que leurs vêtements ne s'enflamment.

DO NOT ATTEMPT TO ALTER OR MODIFY THE CONSTRUCTION OF THE APPLIANCE OR ITS COMPONENTS. ANY MODIFICATION OR ALTERATION MAY VOID THE WARRANTY, CERTIFICATION AND LISTINGS OF THIS UNIT.

⚠ WARNING

Improper installation, adjustment, alteration, service or maintenance can cause injury or property damage. Refer to this manual. For assistance or additional information consult a qualified installer, service agency or the gas supplier.

⚠ WARNING

Failure to comply with these installation instructions will result in an improperly installed and operating appliance, voiding its warranty. Any change to this appliance and/or its operating controls is dangerous.

⚠ WARNING

Clothing or other flammable material should not be placed on or near the appliance.

⚠ AVERTISSEMENT

On ne devrait pas placer de vêtements ni d'autres matières inflammables sur l'appareil ni à proximité.

⚠ WARNING

Any safety screen or guard removed for servicing the appliance must be replaced prior to operating the appliance.

⚠ AVERTISSEMENT

Tout écran ou protecteur retiré pour permettre l'entretien de l'appareil doit être remis en place avant de mettre l'appareil en marche.

⚠ WARNING

Improper installation or use of this appliance can cause serious injury or death from fire, burns, explosion or carbon monoxide poisoning.

Note: Installation and repair should be done by a qualified service person. The appliance should be inspected before use and at least annually by a professional service person. More frequent cleaning may be required due to excessive lint from carpeting, bedding material, etcetera. It is imperative that control compartments, burners and circulating air passageways of the appliance be kept clean.

Remarque : L'installation et la réparation devrait être confiées à un technicien qualifié. L'appareil devrait faire l'objet d'une inspection par un technicien professionnel avant d'être utilisé et au moins une fois l'an par la suite. Des nettoyages plus fréquents peuvent être nécessaires si les tapis, la literie, et cetera produisent une quantité importante de poussière. Il est essentiel que les compartiments abritant les commandes, les brûleurs et les conduits de circulation d'air de l'appareil soient tenus propres.

Do not use these appliances if any part has been under water. Immediately call a qualified, professional service technician to inspect the appliance and to replace any parts of the control system and any gas control which have been under water.

Ne pas utiliser cet appareil s'il a été plongé, même partiellement, dans l'eau. Appeler un technicien qualifié pour inspecter l'appareil et remplacer toute partie du système de commande et toute commande qui a été plongée dans l'eau.

Only trim kit(s) supplied by the manufacturer shall be used in the installation of this appliance.

Seules les trousse de garniture fournies par le fabricant doivent être utilisées pour l'installation de cet appareil.

These appliances comply with National Safety Standards and are tested and listed by OMNI-Test Laboratories, Inc. (Report No. 116-F-36-5) to ANSI Z21.50 (in Canada, CSA 2.22), and CAN/CGA-2.17-M91 in both USA and Canada, as vented gas fireplaces.

Both millivolt and electronic versions of these appliances are listed by OMNI-Test Laboratories, Inc. for installation in bedrooms in the United States (not approved in Canada) and in Manufactured Homes.

Misc. Codes / Standards -

The Installation must conform to local codes or, in the absence of local codes, with the *National Fuel Gas Code, ANSI Z223.1/NFPA 54 - latest edition* (In Canada, the current CAN/CSA-B149.1 installation code).

NOTE: DIAGRAMS & ILLUSTRATIONS ARE NOT TO SCALE.

The appliance, when installed, must be electrically grounded and wired in accordance with local codes or, in the absence of local codes, with the *National Electrical Code, ANSI/NFPA 70 - latest edition*, or the *Canadian Electrical Code, CSA C22.1 - latest edition*.

Provide adequate clearances around air openings and adequate accessibility clearance for service and proper operation. Never obstruct the front openings of the appliance.

These appliances are designed to operate on natural or propane gas only. The use of other fuels or combination of fuels will degrade the performance of this system and may be dangerous.

These fireplaces are designed as supplemental heaters. Therefore, it is advisable to have an alternate primary heat source when installed in a dwelling.

Outside Combustion Air Hook Up - (All manufactured home installations require the use of an Outside Combustion Air Hook-Up Kit)

These appliances are equipped with an integral combustion air door and actuator arm. Combustion air kits are optional. Install as shown in **Step 7 on Page 15**.

Millivolt Models - The millivolt appliances are manually controlled and feature a spark igniter (piezo) that allows the appliance's pilot gas to be lit without the use of matches or batteries. This system provides continued service in the event of a power outage.

Millivolt models come standard with a manually-modulated gas valve; flame appearance and heat output can be controlled at the gas valve. The BTU Input for these appliances is shown in **Table 1**.

Millivolt Models with Manually-Modulated Gas Valve		
	Natural Gas	Propane Gas
Model	Input Rate (BTU/HR)	Input Rate (BTU/HR)
MPB3328	13,500 to 17,500	13,500 to 17,500
MPB3530	16,000 to 20,000	16,500 to 20,000
MPB4035	24,000 to 30,000	22,300 to 28,000
MPB4540	24,750 to 31,000	23,000 to 29,000

Table 1

Electronic Models - These electronic appliances have a fixed rate gas valve and an electronic intermittent pilot ignition system. External electrical power is required to operate these units. The BTU Input for these appliances is shown in **Table 2**.

Electronic Models with Fixed-Rate Gas Valve		
	Natural Gas	Propane Gas
Model	Input Rate (BTU/HR)	Input Rate (BTU/HR)
MPB3328	17,500	17,500
MPB3530	20,000	20,000
MPB4035	30,000	28,000
MPB4540	31,000	29,000

Table 2

Gas Pressure - All Models

Tables 3 and 4 show the appliances' inlet and manifold gas pressure requirements:

Inlet Gas Supply Pressure (all models)		
Fuel #	Minimum	Maximum
Natural Gas	5.0" WC (1.24 kPa)	10.5" WC (2.61 kPa)
Propane	11.0" WC (2.74 kPa)	13.0" WC (3.23 kPa)

Table 3

Manifold Gas Supply Pressure (all models)		
Fuel #	Low (millivolt only)	High
Natural Gas	(Lo) 2.2" WC (0.55 kPa)	(Hi) 3.5" WC (0.87 kPa)
Propane	(Lo) 6.3" WC (1.57 kPa)	(Hi) 10.0" WC (2.49 kPa)

Table 4

Test gauge connections are provided on the front of the millivolt gas control valve, identified IN for the inlet and OUT for the manifold side. A 1/8" NPT Test gauge connection is provided at the inlet and outlet side of the electronic gas control valve adjacent to the outlet to the main burner.

Propane tanks are at pressures that will cause damage to valve components. Verify that the tanks have step down regulators to reduce the pressure to safe levels.

These appliances must be isolated from the gas supply piping system (by closing their individual manual shut-off valve) during any pressure testing of the gas supply piping system at test pressures equal to or **less than** 1/2 psig (3.5 kPa).

These appliances and their individual shut-off valves must be disconnected from the gas supply piping system during any pressure testing of that system at pressures **greater than** 1/2 psig (3.5 kPa).

These appliances must not be connected to a chimney or flue serving a separate solid fuel burning appliance.

Orifice Sizes - Sea Level to High Altitude (All Models)

These appliances are tested and approved for installation at elevations of 0-4500 feet (0-1372 meters) above sea level using the standard burner orifice sizes (marked with an "*" in **Table 5**). For elevations above 4500 feet, contact your gas supplier or qualified service technician.

Deration - At higher elevations, the amount of BTU fuel value delivered must be reduced by either:

- Using gas that has been derated by the gas company.
- Changing the burner orifice to a smaller size as regulated by the local authorities having jurisdiction and by the (USA) National Fuel Gas Code NFPA 54/ANSI Z223.1 - latest edition or, in Canada, the CAN/CSA-B149.1 codes - latest edition.

Install the appliance according to the regulations of the local authorities having jurisdiction and, in the USA, the National Fuel Gas Code NFPA 54 / ANSI Z223.1 - latest edition or, in Canada, the CAN/CSA-B149.1 - latest edition.

NOTE: Flame appearance will diminish 4% per thousand feet.

Burner Orifice Sizes Elevation 0-4500 feet (0-1372 meters)		
Model Series	Nat. Gas drill size (inches)	Propane drill size (inches)
MPB-3328	#47 (.0785") * 39L66 •	#1.2m (.048") * 99K78 •
MPB-3530	#44 (.086") * 60J80 •	#55 (.052") * 19L52 •
MPB-4035	#37 (.104") * 24M10 •	1/16" (.0625") * 21L01 •
MPB-4540	#36 (.1065") * 18L40 •	#52 (.0635") * 37G00 •

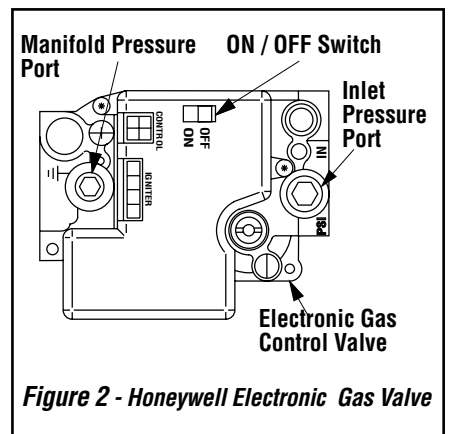
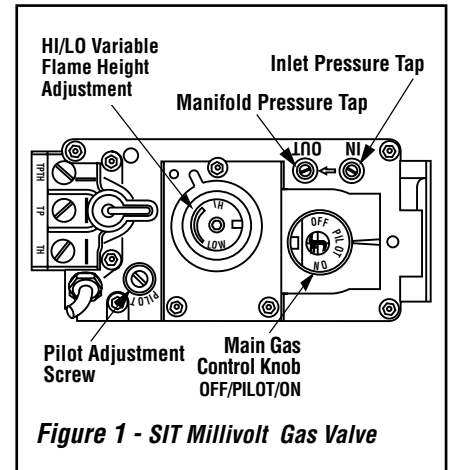
* Standard size installed at factory
• Part/Cat. Number

Table 5

NOTE: DIAGRAMS & ILLUSTRATIONS ARE NOT TO SCALE.

Gas Valve Diagrams

See **Figure 1** for Millivolt models and **Figure 2** For Electronic Models.



REQUIREMENTS FOR THE COMMONWEALTH OF MASSACHUSETTS

Installation of these fireplaces are approved for installation in the US state of Massachusetts if the following additional requirements are met:

- Install this appliance in accordance with Massachusetts Rules and Regulations 248 C.M.R. Sec. 5.08 2(a) through 2(e).
- Installation and repair must be done by a plumber or gas fitter licensed in the Commonwealth of Massachusetts.
- The flexible gas line connector used shall not exceed 36 inches (92 centimeters) in length.
- The individual manual shut-off must be a T-handle type valve.

NEW YORK CITY, NEW YORK (MEA)

Installation of these fireplaces are approved for installation in New York City in the US state of New York (approval no. MEA 417-05-E), if the following additional requirements are met -

- An outside air kit (FOAK-4 or FOAK-4LD) must be installed. See **Figure 22** on **Page 16**.

COLD CLIMATE INSULATION

For cold climate installations, seal all cracks around your appliance with noncombustible material and wherever cold air could enter the room. It is especially important to insulate outside chase cavity between studs and under floor on which appliance rests, if floor is above ground level. Gas line holes and other openings should be caulked or stuffed with unfaced fiberglass insulation.

If the fireplace is being installed on a cement slab in cold climates, a sheet of plywood or other raised platform can be placed underneath to prevent cold transfer to the fireplace and into the room. It also helps to sheetrock inside surfaces and tape for maximum air tightness and caulk firestops.

MANUFACTURED HOME REQUIREMENTS

This appliance may be installed in an aftermarket permanently located, manufactured home and must be installed in accordance with the manufacturer's instructions and the Manufactured Home Construction and Safety Standard, Title 24 CFR, Part 3280, in the United States, or the Standard for Installation in Mobile Homes, CAN/CSA Z240 MH Series, in Canada.

Cet appareil peut être installé comme du matériel d'origine dans une maison préfabriquée (É.U. seulement) ou mobile et doit être installé selon les instructions du fabricant et conformément à la norme Manufactured Home Constructions and Safety, Title 24 CFR, Part 3200 aux Unis ou à la norme Can/CSA-Z240 Série MM, Maisons mobiles au Canada.

This appliance is only for use with the type of gas indicated on the rating plate. This appliance is not convertible for use with other gases, unless a certified kit is used.

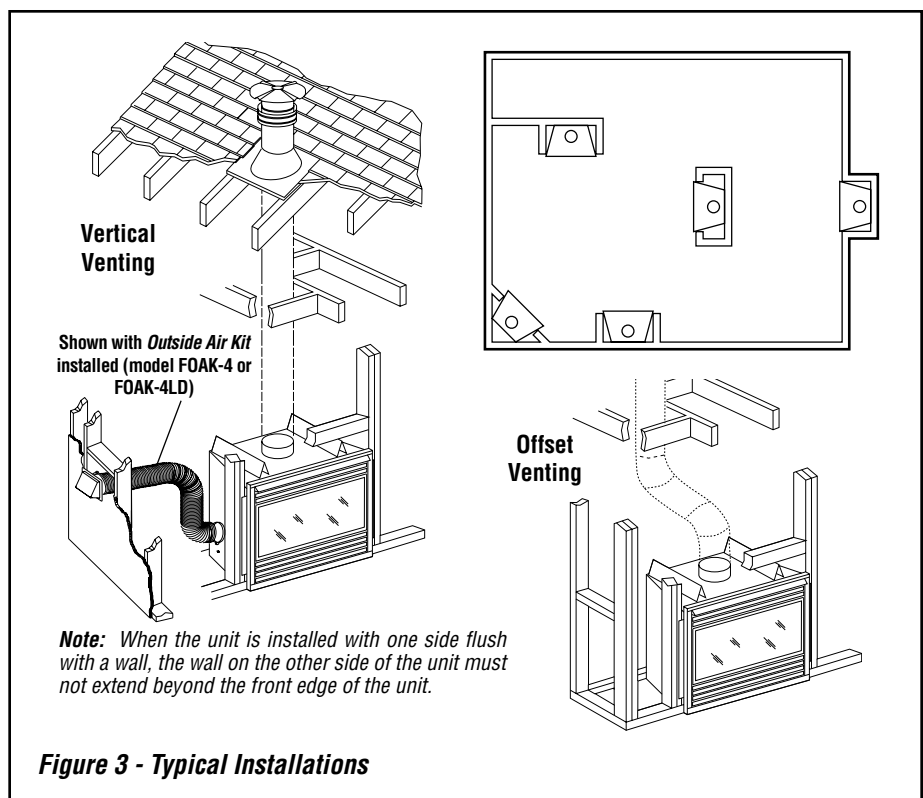
Cet appareil doit être utilisé uniquement avec le type de gaz indiqué sur la plaque signalétique. Cet appareil ne peut être converti à d'autres gaz, sauf si une trousse de conversion est utilisée.

CAUTION: Ensure that the cross members are not cut or weakened during installation. The structural integrity of the manufactured home floor, wall, and ceiling / roof must be maintained.

CAUTION: This appliance must be grounded to the chassis of the manufactured home in accordance with local codes or in the absence of local codes, with the National Electrical Code ANSI / NFPA 70 - latest edition or the Canadian Electrical Code CSA C22.1 - latest edition.

Notes:

- An *Outside Combustion Air Hook-Up Kit* must be installed (see **Step 7, Page 15**).



LOCATION

In selecting the location, the aesthetic and functional use of the appliance are primary concerns. However, vent system routing to the exterior and access to the fuel supply are also important.

Due to high temperatures, the appliance should be located out of traffic and away from furniture and draperies (Figure 3).

En raison des températures élevées, l'appareil devrait être installé dans un endroit où il y a peu de circulation et loin du mobilier et des tentures (Figure 3).

The location should also be free of electrical, plumbing or other heating/air conditioning ducting.

Be aware that this is a heat producing appliance. Objects placed above the unit are exposed to elevated temperatures.

Do not insulate the space between the appliance and the area above it.

The appliance should be mounted on a fully supported base extending the full width and depth of the unit. The appliance may be located on or near conventional construction materials. However, if installed on combustible materials, such as carpeting, vinyl tile, etc., a metal or wood barrier covering the entire bottom surface must be used.

VENT TERMINATION CLEARANCES

Gas Vent Rule - Gas vent caps are not permitted within 8 feet (2.4 m) of a vertical wall or similar obstruction. Gas vent caps that are located 8' or more from a portion of a building which extends at an angle greater than 45° upward from the horizontal may terminate in accordance with **(Figure 4)**, provided that in no case shall any discharge opening on the cap be less than 2' (610 mm) horizontally from the roof surface (National Fuel Gas Code ANSI Z223.1 (NFPA 54) 7.6.2) (CAN/CGA B149).

Multiple Terminations

These appliances may vent adjacent to and at the same level with any other gas appliances (including direct-vent appliances) provided that there is at least 2 ft. (0.6m) between the proximal edges of the vent caps. These appliances may be vented adjacent to a chimney vent servicing a solid fuel fireplace provided the B-vent cap is at least 2 ft. (0.6m) away from the nearest point of the chimney opening.

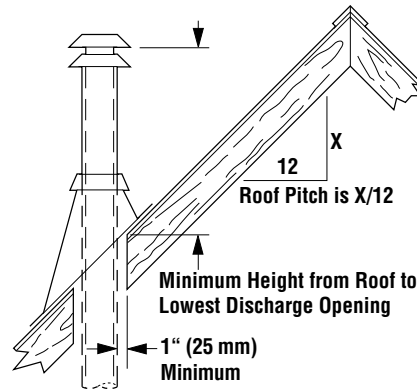


Figure 4 - Vertical Vent Termination Clearances

**Termination Heights For Vents
Above Flat Or Sloped Roofs
Ref. NFPA 54 / ANSI Z223.1, 7.6**

Roof Pitch	Feet	Meters
Flat to 6/12	1.0	0.3
6/12 to 7/12	1.25	0.38
7/12 to 8/12	1.5	0.46
8/12 to 9/12	2.0	0.61
9/12 to 10/12	2.5	0.76
10/12 to 11/12	3.25	0.99
11/12 to 12/12	4.0	1.22
12/12 to 14/12	5.0	1.52
14/12 to 16/12	6.0	1.83
16/12 to 18/12	7.0	2.13
18/12 to 20/12	7.5	2.29
20/12 to 21/12	8.0	2.44

NOTE: DIAGRAMS & ILLUSTRATIONS ARE NOT TO SCALE.

MINIMUM CLEARANCES TO COMBUSTIBLES

Appliance And Vent Clearances

Maintain clearances from appliance to combustible materials as detailed in **Table 6** with the following exception: **When the unit is installed with one side flush with a wall, the wall on the other side of the unit must not extend beyond the front edge of the unit.** In addition, when the unit is recessed, the side walls surrounding the unit must not extend beyond the front edge of the unit (see **Figure 3**).

MINIMUM CLEARANCES Inches (millimeters)	
Back	1/2 (13)
Sides	1/2 (13)
Top Spacers	0 (0)
Floor	0 (0)
Bottom of Appliance To Ceiling	64 (1626)
Vent	1 (25.4)
SERVICE CLEARANCES Feet (meters)	
Front	3 ft. (0.9 m)

Table 6

Hearth Extension - A hearth extension is not required with this appliance. If a hearth extension is used, do not block the control compartment access panel. Any hearth extension used is for appearance only and does not have to conform to standard hearth extension installation requirements.

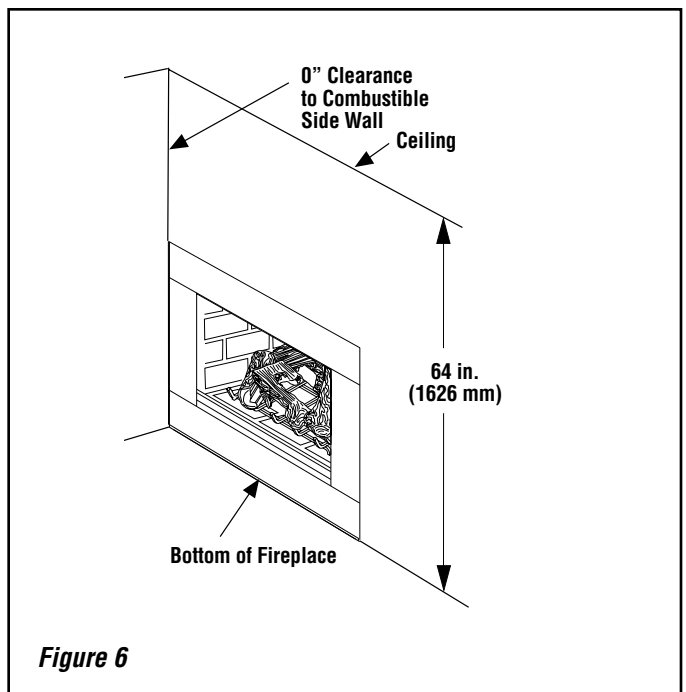
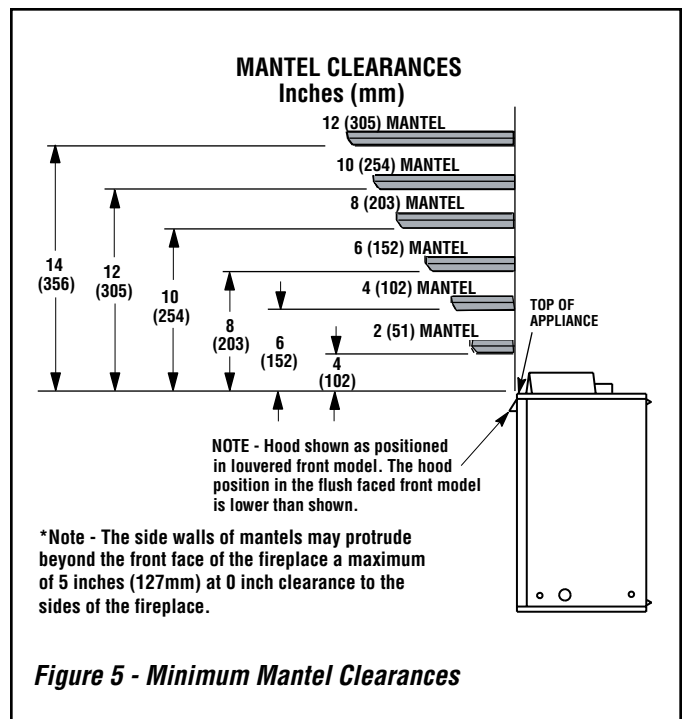
Wall Finishes / Surrounds / Mantels

Note: Combustible wall finish materials and/or surround materials must not be allowed to encroach the area defined by the appliance top spacers. Never allow combustible materials to be positioned in front of or overlapping the appliance front face and top spacers. See **Figure 38**.

Non-combustible materials, such as surrounds and other appliance trim, may be installed on the appliance front face with these exceptions: **The material must NOT cover any portion of the glass or louvers.**

Vertical installation clearances to combustible mantels vary according to the depth of the mantel (refer to **Figure 5**). Mantels constructed of non-combustible materials may be installed at any height above the appliance opening; however, do not allow anything to hang below the hood.

These instructions should be used as a guideline and do not supersede local codes in any way.



***Note:** See **Figures 7 and 8 on Page 8** for clearance requirements to the nailing flange located at each side of the unit and any screw heads adjacent to it.

⚠ WARNING

Failure to position the parts in accordance with these diagrams or failure to use only parts specifically approved with this appliance may result in property damage or personal injury.

⚠ AVERTISSEMENT

Risque de dommages ou de blessures si les pièces ne sont pas installées conformément à ces schémas et ou si des pièces autres que celles spécifiquement approuvées avec cet appareil sont utilisées.

DETAILED INSTALLATION STEPS

The appliance is shipped with all gas controls and components installed and pre-wired.

1. Remove the shipping carton. Remove the shipping pad, exposing the front glass door.
2. Open the two latches (located under the firebox floor) securing the glass door. Remove the door by tilting it outward at the bottom and lifting it up. Set the door aside protecting it from inadvertent damage. See *Removing Glass Enclosure Panel* on **Page 21**.

TYPICAL INSTALLATION SEQUENCE

The typical sequence of installation is outlined below. However, each installation is unique and may result in variations to the steps described.

See the Page numbers references in the following steps for detailed procedures.

- Step 1.** (**Page 8**) - Construct the appliance framing. Position the appliance within the framing and secure with nailing flanges.
- Step 2.** (**Page 11**) Route gas supply line to appliance location.
- Step 3.** (**Page 12**) Install the vent system and exterior termination.
- Step 4.** (**Page 13**) Field Wiring
 - a. Millivolt Appliances – Install the OFF/ON burner control switch.
 - b. Electronic Appliances – Connect 120 VAC electrical power to the appliance receptacle.
- Step 5.** (**Page 14**) Install the optional blower.
- Step 6.** (**Page 14**) Make connection to gas supply.

- Step 7.** (**Page 15**) Outside Air Kit Installation.
- Step 8.** (**Page 16**) Verify appliance operation.
- Step 9.** (**Page 16**) Install grate, vermiculite, embers and logs.
- Step 10.** (**Page 21**) Installation/Removal of glass enclosure panels.
- Step 11.** (**Page 22**) Adjust burner primary air shutter to achieve proper flame appearance.
- Step 12.** (**Page 23**) Vent operation test and (safety limit) switch operation.
- Step 13.** (**Page 24**) Install the decorative trims and hoods.
- Step 14.** (**Page 25**) Attach Safety in Operation Warnings.

Step 1. FRAMING

Frame these appliances as illustrated in **Figure 9**. All framing details must allow for a minimum clearance to combustible framing members as shown in **Table 6** on **Page 7**.

If the appliance is to be elevated above floor level, a solid continuous platform must be constructed below the appliance.

Note: The framed depth, 16 in. (406 mm) from a framed wall, must always be measured from a finished surface. If a wall covering such as drywall is to be attached to the rear wall, then the 16 in. (406 mm) must be measured from the drywall surface. It is important that this dimension be exact.

Headers may be in direct contact with the appliance top spacers but must not be supported by them or notched to fit around them. All construction above the appliance must be self-supporting, **DO NOT** use the appliance for structural support.

Pre-installation Notes

The fireplace may be positioned and then the framing built around it, or the framing may be constructed and the fireplace positioned into the opening.

Usually, no special floor support is needed for the fireplace, however, to be certain:

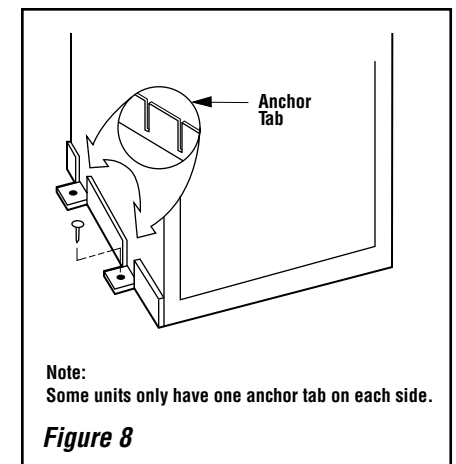
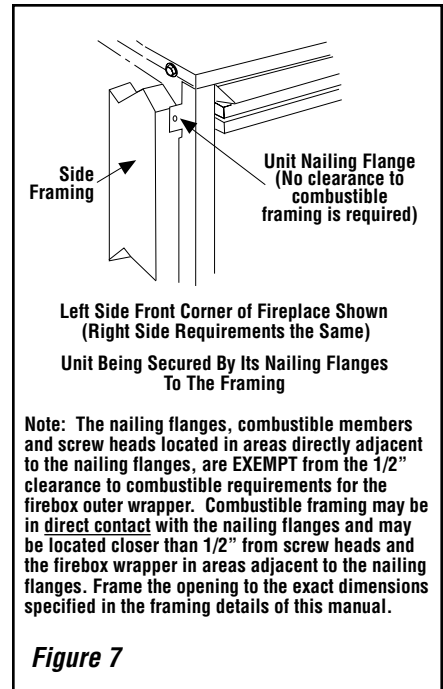
1. Estimate the total weight of the fireplace system and surround materials such as brick, stone, etc., to be installed.
2. Measure the square footage of the floor space to be occupied by the system, surrounds and hearth extensions.
3. Note the floor construction, i.e. 2 x 6's, 2 x 8's or 2 x 10's, single or double joists, type and thickness of floor boards.
4. Use this information and consult your local building code to determine if you need additional support.

Side Nailing Flanges

The fireplace should be secured to the side framing members using the unit's nailing flanges - two at the top and bottom on each side of the fireplace front. See **Figure 7**. Use 8d nails or their equivalent.

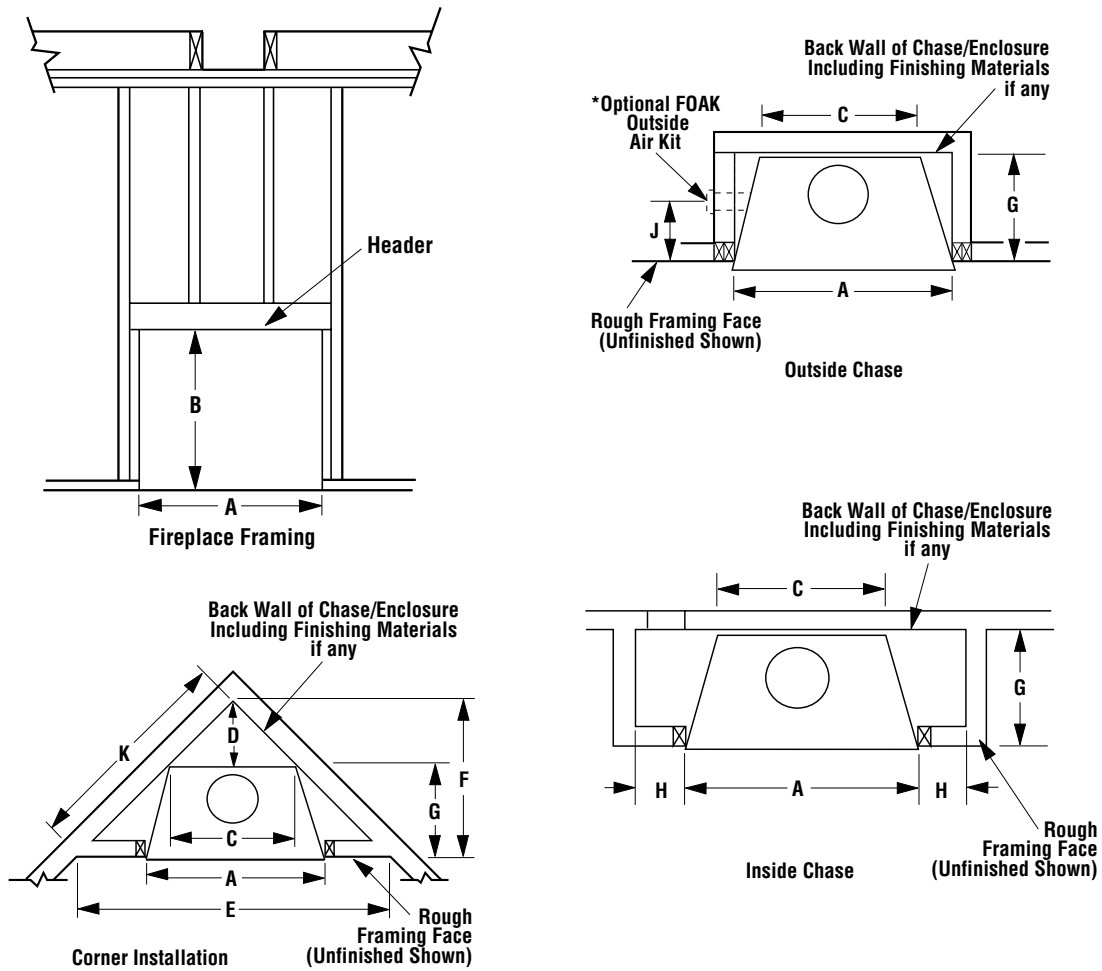
Floor Nailing Tabs

Fireplace may be anchored to floor. Bend down two anchor tabs (one on each side) located at the base of the fireplace and secure to the floor by nailing with 8d nails or equivalent (**Figure 8**).



NOTE: DIAGRAMS & ILLUSTRATIONS ARE NOT TO SCALE.

FRAMING SPECIFICATIONS



Note: All framing dimensions calculated for 1/2" dry wall at the appliance face. If sheathing the chase or finishing with other thickness materials, calculations will need to be made.

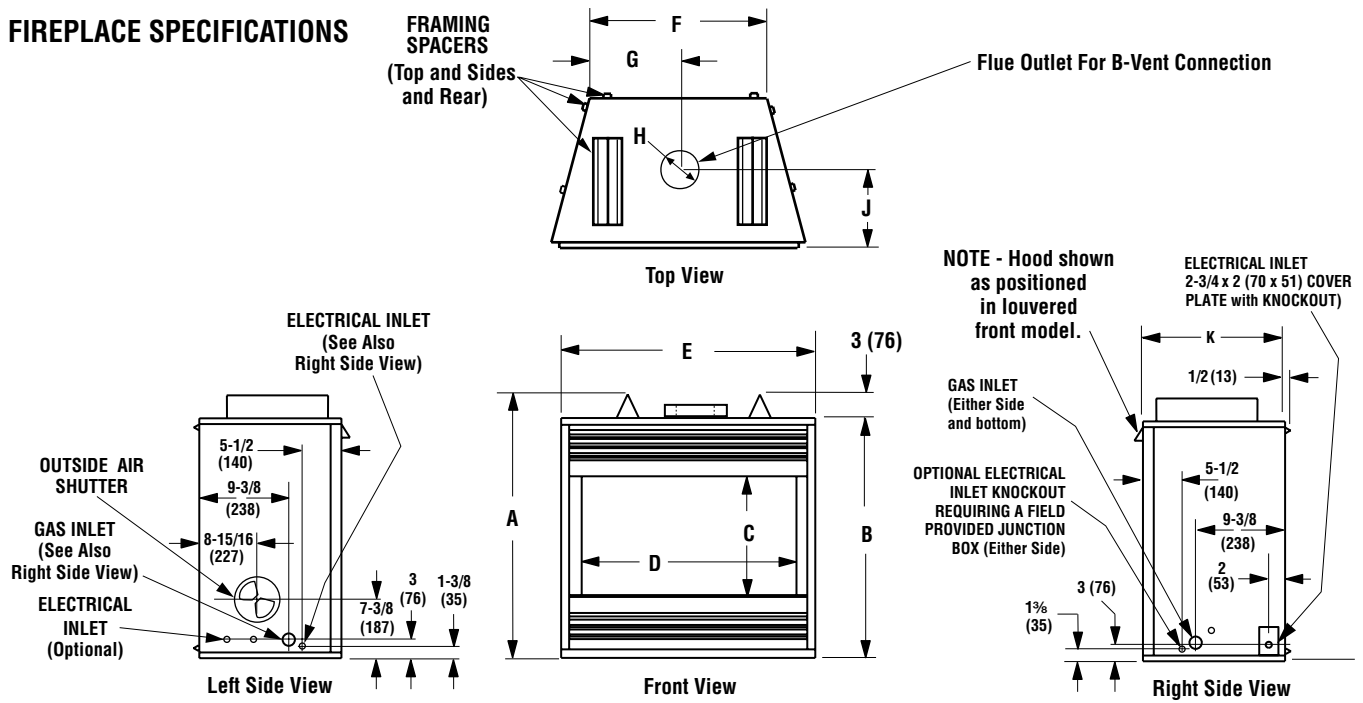
* Outside air kit - FOAK (without adapter). See **Figure 22** on **Page 16**.

Model No.		A Unit Size	A Framing Size	B	C	D	E	F	G	H	J	K
MPB3328	in.	33-1/8	33-1/4	33-1/4	21-1/2	11-1/4	48-1/2	24-1/4	13	4	4-1/16	34-5/16
	mm	842	845	845	546	286	1232	616	330	102	103	872
MPB3530	in.	35-1/8	35-1/4	35-1/4	24-7/8	12-3/4	57-1/2	28-3/4	16	4	7-1/16	40-5/8
	mm	892	895	895	632	324	1460	730	406	102	179	1032
MPB4035	in.	40-1/8	40-1/4	40-1/4	29-7/8	14-11/16	61-13/16	30-11/16	16	4	7-1/16	43-11/32
	mm	1019	1022	1022	759	373	1570	779	406	102	179	1101
MPB4540	in.	45-1/8	45-1/4	40-1/4	34-7/8	17-3/16	66-3/8	33-3/16	16	4	7-1/16	46-15/16
	mm	1146	1149	1022	886	437	1686	843	406	102	179	1192

Figure 9

NOTE: DIAGRAMS & ILLUSTRATIONS ARE NOT TO SCALE.

FIREPLACE SPECIFICATIONS



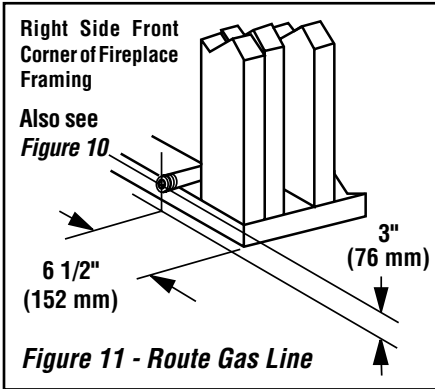
Model No.		A	B	C	D	E	F	G	H	J	K
MPB3328	in.	33-1/8	30-1/8	17	27-1/2	33-1/8	21-1/2	10-3/4	4	6-1/2	13
	mm	841	765	432	699	841	546	273	102	165	330
MPB3530	in.	35-1/8	32-1/8	19	29-1/2	35-1/8	24-7/8	12-7/16	5	8-3/4	16
	mm	892	816	483	749	892	621	316	127	222	406
MPB4035	in.	40-1/8	37-1/8	24	34-1/2	40-1/8	29-7/8	14-15/16	5	8-3/4	16
	mm	1019	943	610	876	1019	759	379	127	222	406
MPB4540	in.	40-1/8	37-1/8	24	39-1/2	45-1/8	34-7/8	17-7/16	6	8-3/4	16
	mm	1146	943	610	1003	1146	886	443	152	222	406

Figure 10

NOTE: DIAGRAMS & ILLUSTRATIONS ARE NOT TO SCALE.

Step 2. ROUTE GAS SUPPLY LINE

Route a 1/2" (13 mm) gas line as shown in **Figure 11**. Gas lines must be routed, constructed and made of materials that are in strict accordance with local codes and regulations. The appliance, as set up at the factory, is best suited for use with a gas line routed from the right side. The gas line may however be alternately routed from the left side. All appliances are factory-equipped with a flexible gas line connector and 1/2 inch shutoff valve. (See **Step 6 on Page 14**).



Proper Sizing of Gas Line

Properly size and route the gas supply line from the supply regulator to the area where the appliance is to be installed per requirements outlined in the National Fuel Gas Code, NFPA 54 - latest edition (USA) or B149 - latest edition (Canada).

Never use galvanized or plastic pipe. Refer to **Table 7** for proper sizing of the gas supply line, if black iron pipe is being used. Gas lines must be routed, constructed and made of materials that are in strict accordance with local codes and regulations. We recommend that a qualified individual such as a plumber or gas fitter be hired to correctly size and route the gas supply line to the appliance. Installing a gas supply line from the fuel supply to the appliance involves numerous considerations of materials, protection, sizing, locations, controls, pressure, sediment, and more. Certainly no one unfamiliar and unqualified should attempt sizing or installing gas piping.

Schedule 40 (black iron) Pipe Inside Diameter (Inches)		
Schedule 40 Pipe Length (feet)	Natural Gas	Propane Gas
0-10	1/2	3/8
10-40	1/2	1/2
40-100	1/2	1/2
100-150	3/4	1/2
150-200	3/4	1/2

Table 7

Notes:

- All appliances are factory-equipped with a flexible gas line connector and 1/2 inch shutoff valve (see **Figure 20 on Page 15**).
- See **Massachusetts Requirements on Page 4** for additional requirements for installations in the state of Massachusetts in the USA.
- The gas supply line should Not be connected to the appliance until **Step 6 (Page 14)**.
- A pipe joint compound rated for gas should be used on the threaded joints. **Ensure propane resistant compounds are used in propane applications.** Be very careful that the pipe compound does not get inside the pipe.
- It is recommended to install a sediment trap in the supply line as close as possible to the appliance (see **Figure 20, Page 15**). Appliances using propane should have a sediment trap at the base of the tank.
- Check with local building official for local code requirements (i.e. are below grade penetrations of the gas line allowed?, etc).

IMPORTANT: If propane is used, be aware that if tank size is too small (i.e. under 100-lbs, if this is the only gas appliance in the dwelling. Ref. NPFA 58), there may be loss of pressure, resulting in insufficient fuel delivery (which can result in sooting, severe delayed ignition or other malfunctions). Any damage resulting from an improper installation, such as this, is not covered under the limited warranty.

Step 3. INSTALL THE VENT SYSTEM & EXTERIOR TERMINATION:

General Information

These instructions should be used as a guideline and do not supersede local codes in any way. Install venting according to local codes, these instructions, the current National Fuel Gas Code (ANSI-Z223.1) in the USA or the current standards of CAN/CSA-B149.1 in Canada.

Ensure clearances are in accordance with local installation codes and the requirements of the gas supplier.

Dégagement conforme aux codes d'installation locaux et aux exigences du fournisseur de gaz.

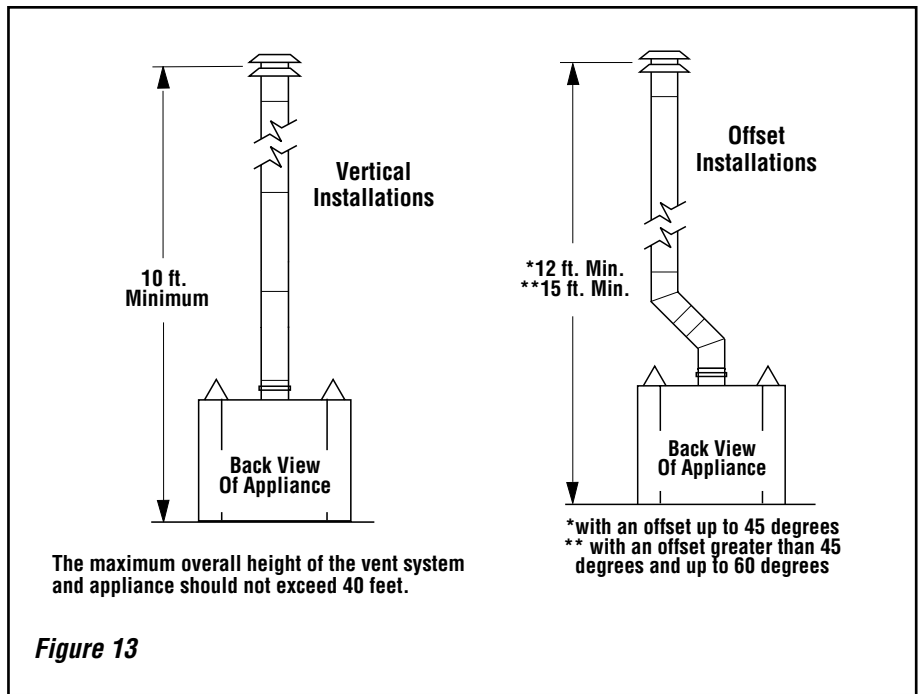
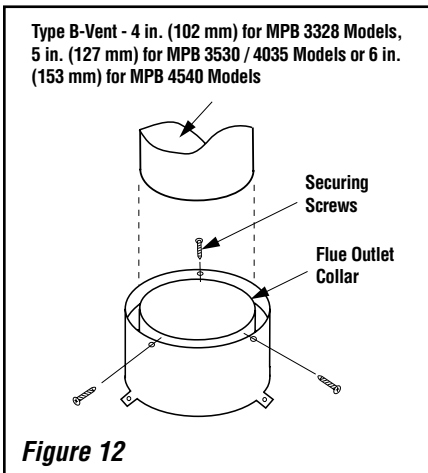
Use only approved venting components. See *Approved Vent Components* on Page 2.

These fireplaces must be vented directly to the outside.

Slip the first section of B-Vent over the fireplace flue outlet and secure with four sheetmetal screws (#8 or larger), and install the remainder of the B-Vent to the outside. Minimum overall height of the vent system and appliance must be 10' (2.54 m) vertical - no offset (see *Figure 13*); or 12' (3.7 m) when an offset up to 45 degrees from the vertical is used; or 15' (4.6 m) when an offset is greater than 45 degrees and up to 60 degrees.

The offset may start at the fireplace flue collar (see *Figure 13*). The maximum overall height of the vent system and appliance should not exceed 40 feet.

Install the B-vent system in accordance with the vent manufacturer's instructions.



USE ONLY APPROVED B-VENT DIAMETER

MPB-3328, MPB-3530, MPB-4035 and MPB-4540 series fireplaces must be vertically vented using listed type-B, double-walled vent pipe with the proper diameter as listed below and a listed vent termination.

Required Pipe Diameter:

- MPB-3328 series: Requires 4 in. (102 mm)
- MPB-3530 series: Requires 5 in. (127 mm)
- MPB-4035 series: Requires 5 in. (127 mm)
- MPB-4540 series: Requires 6 in. (152 mm)

CAUTION

This appliance cannot be vented horizontally.

Note: Refer to the vent manufacturers installation instructions for variations of venting techniques. If common venting of several units is contemplated, it should be discussed with an architect and the local Building Department.

Do not place insulation materials within 1 in. of the gas vent system.

NOTE: DIAGRAMS & ILLUSTRATIONS ARE NOT TO SCALE.

Step 4. FIELD WIRING



CAUTION

Ground supply lead must be connected to the wire attached to the green ground screw located on the outlet box. See Figures 17 or 18. Failure to do so will result in a potential safety hazard. The appliance must be electrically grounded in accordance with local codes or, in the absence of local codes, the National Electrical Code, ANSI/NFPA 70-latest edition. (In Canada, the current CSA C22-1 Canadian Electrical Code).

CAUTION: Label all wires prior to disconnection when servicing controls. Wiring errors can cause improper and dangerous operation.

ATTENTION: Au moment de l'entretien des commandes, étiquetez tous les fils avant de les débrancher. Des erreurs de câblage peuvent entraîner un fonctionnement inadéquat et dangereux.

Verify proper operation after servicing.

S'assurer que l'appareil fonctionne adéquatement une fois l'entretien terminé.

CAUTION: DO NOT CONNECT OPTIONAL CONTROL SWITCH TO 120 V POWER SUPPLY.

CAUTION: REMOVE THE CARTON SUPPORT FROM THE CONTROL COMPARTMENT BEFORE OPERATING THE APPLIANCE.

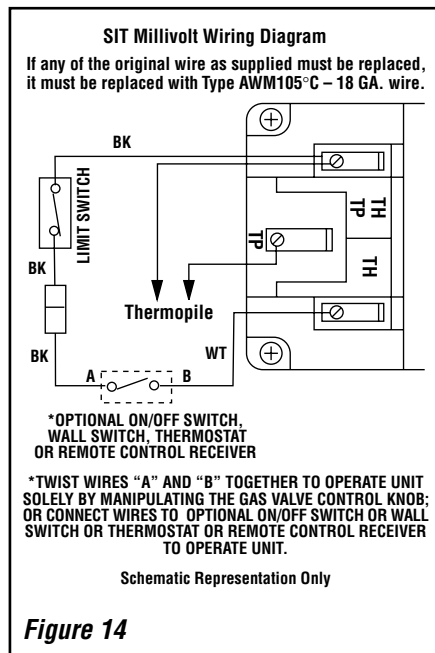
CAUTION: ENSURE THAT WIRES ARE POSITIONED AWAY FROM HOT SURFACES AND SHARP EDGES.

Refer to Section A for millivolt appliances and Section B for electronic appliances. The gas valve is set in place and pre-wired at the factory on both models.

A. SIT Millivolt Wiring (See Figure 14)–

1. Select any of the following optional controls: appliance-mounted (rocker switch) or wall-mounted switch, thermostat, or one of the optional remote control kits. If appliance-mounted ON/OFF control is selected mount it in the gas valve mounting bracket.
2. If wall-mounted ON/OFF control switch or thermostat is selected mount it in a convenient location on a wall near the fireplace.
3. Wire the control switch within the millivolt control circuit using the 15 feet of 2 conductor wire supplied with the unit. **Caution: do not connect the optional wall switch to a 120V power supply.**
4. Alternatively, the appliance may be operated without the use of the controls indicated in **Instruction #1**, solely by manipulating the gas valve control knob. In order to use this method, twist the free ends of the two conductor wire (located in the lower compartment of the unit) together as shown in **Figure 14**.

Note: The supplied 15 feet of 2 conductor wire has one end of each conductor connected to the gas valve circuit and the other end of each conductor placed inside the control compartment.



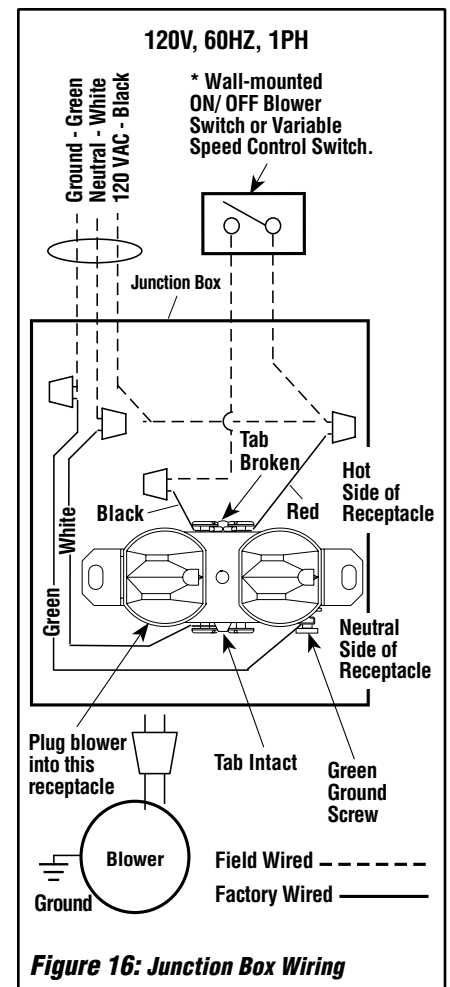
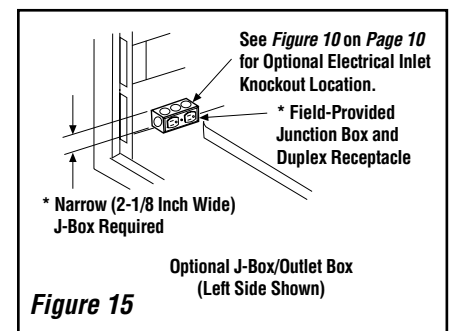
NOTE: DIAGRAMS & ILLUSTRATIONS ARE NOT TO SCALE.

B. Electronic Wiring (See Figures 17 or 18)–

Note: The electronic appliance must be connected to the main power supply.

A junction box is located at the rear of the control compartment on either side of the cabinet. The junction box on the right side contains a factory installed and wired outlet box (duplex receptacle). Also, an optional field-provided junction box with receptacle may be installed at the front of the control compartment on either side of the cabinet. See **Figure 15**. It will be held in place by a conduit fitting and locknut (field-provided).

1. Route a 3-wire 120Vac 60Hz 1ph power supply to the appliance junction box.



2. If the factory-provided outlet/junction box at the right rear of the fireplace is being used, remove the outlet box from the junction box by removing two screws.
 3. Connect the power supply wires (**including the ground supply wire**) as shown in **Figures 17 and 18**. (If the field-provided J-box/outlet box is being used, all of the outlet box wiring must be field-provided).
 4. Locate and install a low voltage (24V) wall-mounted switch or thermostat (both field-provided) in the desired location.
 5. Connect the low voltage wire, located in the lower control compartment, to the wall-mounted switch or thermostat.
- Note:** The supplied 15 feet of 2 conductor wire has one end of each conductor connected to the gas valve circuit and the other end of each conductor placed inside the control compartment.
6. Insert the control circuit plug into the **un-switched** receptacle of the outlet box.
 7. After wiring is complete, mount the outlet box to the J-Box.

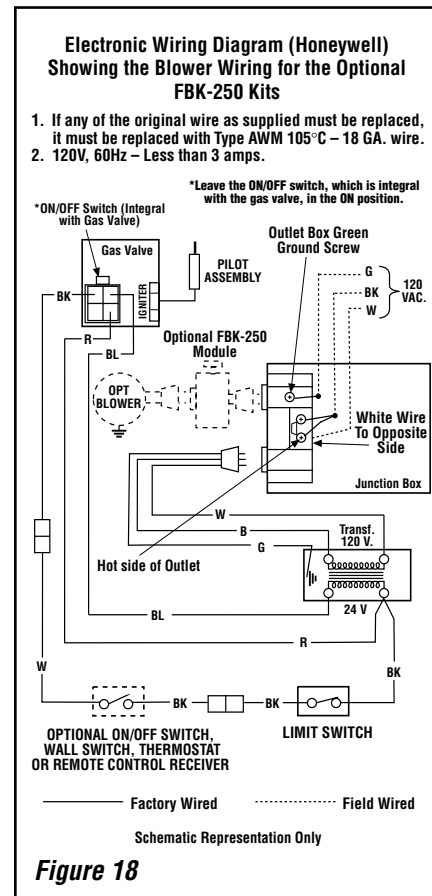
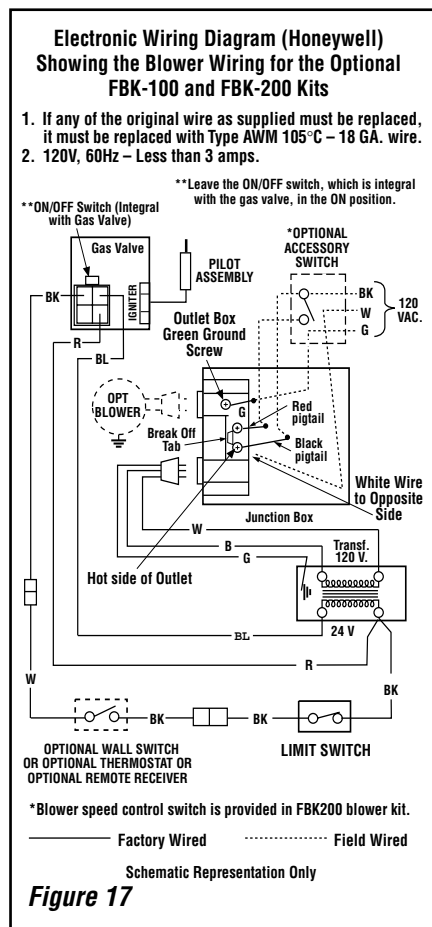
Note: The gas valve-mounted ON/OFF switch is shown in **Figures 17 and 18**. It is integral with the gas valve and should be set to the ON position.

Step 5 WIRING - OPTIONAL FORCED AIR BLOWER KIT

FBK-100, FBK-200 and FBK250 Kits
(See **Figure 17** for **FBK-100, FBK-200** and **Figure 18** for **FBK-250** wiring) -

An electrical outlet box (receptacle) is factory-provided for the installation of the **FBK-100, FBK-200 and FBK-250** forced air blower kits. (An optional field-provided outletbox/J-Box may also be used. Electrical power must be connected to either of these receptacles in order to operate these blowers. Install the blower kits according to the installation instructions provided with the kits.

Note: The tab connecting the receptacles of the outlet box must be broken in **FBK-100 and FBK-200** blower kit applications. See **Figure 16** on page 13.



NOTE: DIAGRAMS & ILLUSTRATIONS ARE NOT TO SCALE.

Step 6. CONNECTING GAS LINE

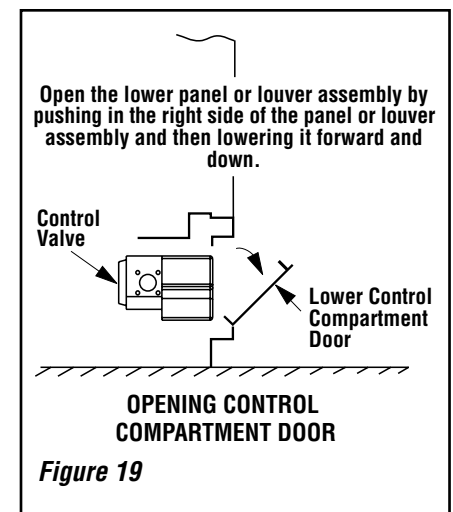
All codes require a shut-off valve mounted in the supply line. The orientation of the shut-off valve should face the front. **Figure 20** illustrates two methods for connecting the gas supply. A Sediment Trap is recommended to prevent moisture and debris in gas line from damaging the valve.

The flex-line method is acceptable in the U.S.A. where local codes permit, however, Canadian requirements vary depending on locality. Installation must be in compliance with local codes. These appliances are equipped with a gas flex-line for use in connecting the unit to the gas line. See **Figure 20** for flex-line description. The flex-line is rated for both natural and propane gas. A manual shut off valve is also provided with the flex-line.

The gas control valve is located in the lower control compartment.

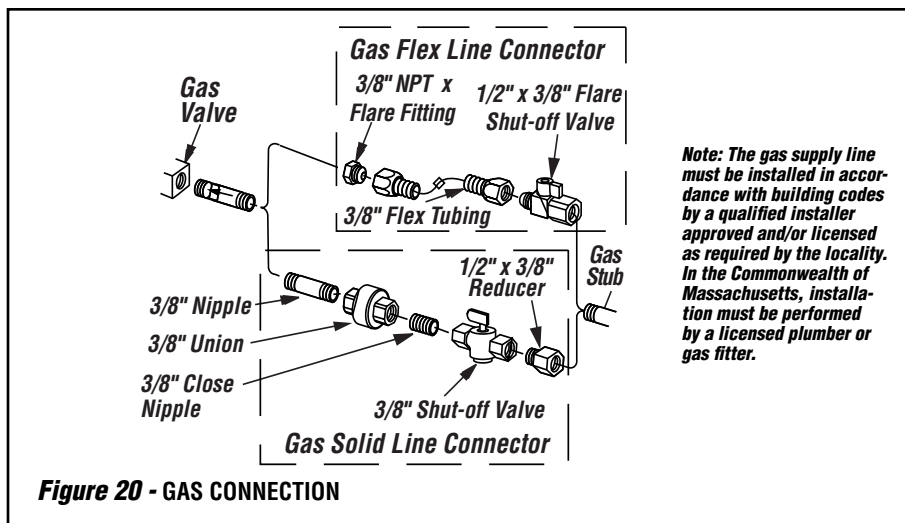
To access the valve open the lower control compartment door (**see Figure 19**).

The millivolt control valve has a 3/8" (10 mm) NPT thread inlet port. The electronic control valve has a 1/2" (13 mm) NPT thread inlet port and is fitted with a 1/2" x 3/8" (13 mm x 10 mm) NPT fitting.



Secure all joints tightly using appropriate tools and sealing compounds (ensure propane resistant compounds are used in propane applications). It is recommended to seal around the gas line to prevent cold air leakage.

Acquire the shut-off valve and gas flex line and pull the assembly forward out of the compartment. Separate the shut-off valve from the gas flex-line. Determine the length of pipe needed to route the gas line from the last fitting (shown in **Figure 20** on **Page 15**) to a point within the control compartment that will allow the shut-off valve to be easily attached by hand to the gas flex-line.



Note: The gas supply line must be installed in accordance with building codes by a qualified installer approved and/or licensed as required by the locality. In the Commonwealth of Massachusetts, installation must be performed by a licensed plumber or gas fitter.

Using pipe-dressing materials appropriate for the gas type, securely affix the shut-off valve to this determined pipe length at a convenient location **outside** of the appliance lower control compartment.

TEST ALL CONNECTIONS FOR GAS LEAKS (FACTORY AND FIELD):

! WARNING
Never use an open flame to check for leaks.

Turn on gas supply and test for gas leaks using Turn on gas supply and test for gas leaks, using a gas leak test solution (also referred to as bubble leak solution).

Note: Using a soapy water solution is an effective leak test solution but it is not recommended, because the soap residue that is left on the pipes/fittings can result in corrosion over time.

- A. Light the appliance (refer to the lighting instructions label in the control compartment or in the Care and Operation Instructions manual).
- B. Brush all joints and connections with the gas leak test solution to check for leaks. If bubbles are formed, or gas odor is detected, turn the gas control knob (off/pilot/on) to the "OFF" position. Either tighten or refasten the leaking connection, then retest as described above.
- C. When the gas lines are tested and leak free, be sure to rinse off the leak testing solution.

Step 7. OUTSIDE AIR KITS

Optional outside make-up air kits, Model FOAK-4 or FAOK-4LD (see **Figure 22 on Page 16**), may be used with these appliances. Refer to the installation instructions packaged with the air kits for specific installation information. If used, the outside air kit must be installed before the fireplace is framed and enclosed in the finished wall.

Outside air drawn into the fireplace supplies air to the fire for combustion. Only one outside air duct is necessary, if installed. See **Figure 3 on Page 5 and Figure 22 on Page 16** for the location of the unit's outside air inlet.

If additional length of duct is necessary, purchase locally available U.L. Class 0 or Class 1 metallic ducting. The duct may extend up to 50' (15.24 m) in any direction.

Note: When installing the air duct vertically, DO NOT terminate the duct closer than 3' below the chimney top.

Outside combustion air ducting may be run upwards or vertically through framing and ceiling joists, with the hood installed through an outside wall and 3' (1 m) below the termination. Ducting may also be run downward through floor joists and under the home to a ventilated crawlspace not considered part of the living area of the home.

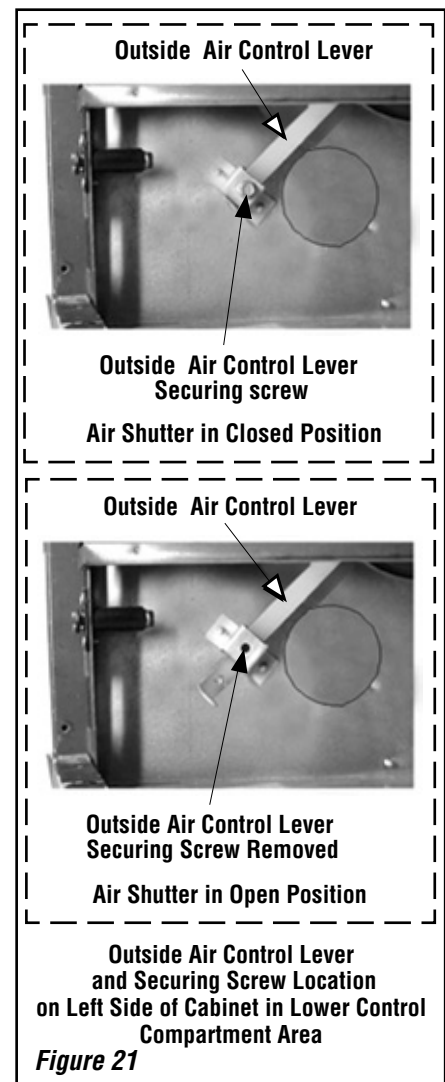
Note: Do not terminate outside air kit in attic space under any circumstances.

! CAUTION
Never locate inlet where it can be blocked by shrubs, snow drifts, etc. Never locate inlet in garage or any area where there is another fuel burning appliance or products emitting combustible gases such as paint, gasoline, etc. In cold climates, it is recommended the outside air duct be insulated.

After completing the installation of the optional outside air vent system the outside air control lever must be put in service and tested to ensure proper operation before completing any enclosure around the firebox. Failure to do so may result in extensive and costly rework. Before the operation of the vent system can be tested, the lever securing screw must be removed. **See Figure 21.**

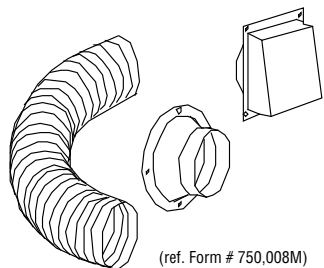
The hand operated outside air control lever is located on the left side of the fireplace opening. **See Figure 21.**

To open the outside air shutter, open the bottom control access panel, reach into the control compartment, and pull the outside air control lever all the way out. The outside air shutter should be fully open when the fireplace is in use and completely closed when the fireplace is not being used. Closing it when not in use will prevent outside cold air from entering the dwelling.



Operate the actuator through several cycles including the closed position. Ensuring proper operation and freedom of movement. Return the actuator arm to the closed position.

NOTE: DIAGRAMS & ILLUSTRATIONS ARE NOT TO SCALE.



Outside Combustion Air Kits		
Cat. No.	Model No.	Description
81L87	FOAK-4	Combustion Air Kit (w/duct)
81L88	FOAK-4LD	Combustion Air Kit (w/o duct)

Figure 22

Step 8. VERIFYING APPLIANCE OPERATION

With gas line installed run initial system check-out before closing up the front of the unit. Follow the pilot lighting instructions provided in the Care and Operation Instructions manual. For piezo igniter location see **Figure 23**

Note: Instructions are also found on the literature tag attached to the gas valve train.

When first lighting the appliance, it will take a few minutes for the line to purge itself of air. Once purging is complete, the pilot and burner will light and operate as indicated in the instruction manual. Subsequent lightings of the appliance will not require such purging. Inspect the pilot flame (remove logs, if necessary, handling carefully).

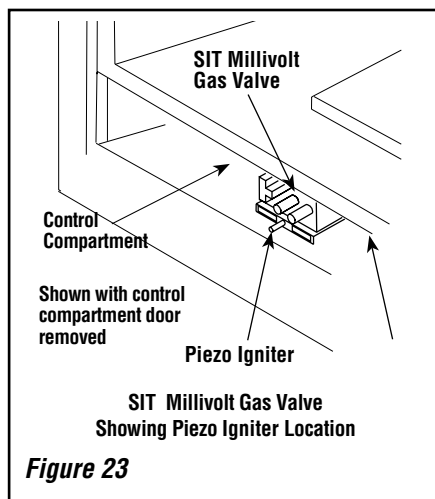


Figure 23

SIT Millivolt Appliance Checkout

The pilot flame should be steady, not lifting or floating. Flame should be blue in color with traces of orange at the outer edge.

The top 3/8" (10 mm) at the pilot generator (thermopile) and the top 1/8" minimum (tip) of the quick drop out thermocouple should be engulfed in the pilot flame. The flame should project 1" (25 mm) beyond the hood at all three ports (**Figure 24**).

Replace logs if removed for pilot inspection.

To light the burner; turn "ON" the remote wall switch and rotate the gas valve control knob counterclockwise to the "ON" position.

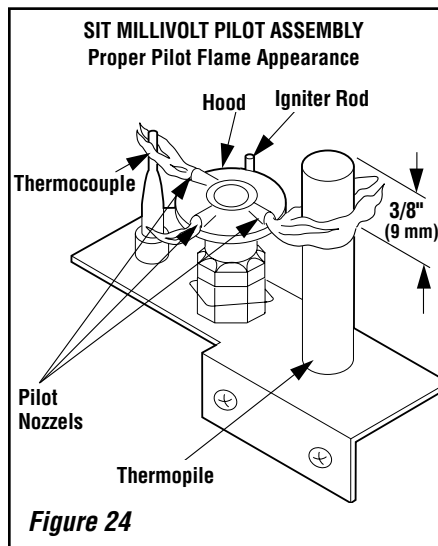


Figure 24

Electronic Appliance Checkout

To light the burner, turn "ON" the optional remote wall switch and turn the gas control switch to the "ON" position. Ensure the igniter lights the pilot. The pilot flame should engulf the flame rod as shown in **Figure 25**.

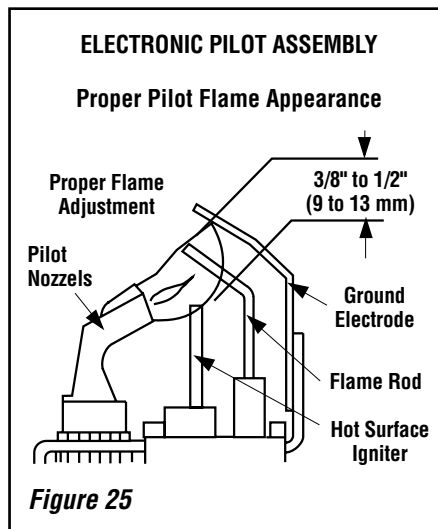


Figure 25

NOTE: DIAGRAMS & ILLUSTRATIONS ARE NOT TO SCALE.

Step 9. INSTALLING LOGS, DECORATIVE VOLCANIC STONE AND GLOWING EMBERS

⚠ WARNING

- **DO NOT attempt to install the logs until the appliance installation has been completed, the gas line connected and tested for leaks and the initial burner operation has been checked out.**
- **The size and position of the log set was engineered to give the appliance a safe, reliable and attractive flame pattern. Any attempt to use a different log set in the fireplace will void the warranty and will result in incomplete combustion, soot-ing, and poor flame quality.**
- **Logs get very hot and will remain hot up to one hour after gas supply is turned off. Handle only when logs are cool. Turn off all electricity to the appliance before you install volcanic stone, embers and logs.**
- **This appliance is not designed to burn wood. Any attempt to do so could cause irreparable damage to the appliance and prove hazardous to your safety.**
- **If logs are not installed according to the log installation instructions, flame impingement and improper combustion could occur and result in soot and/or excessive production of carbon monoxide (CO), a colorless, odorless, toxic gas.**

Locate the packaged carton of logs (which were located in the firebox). The decorative volcanic stone and glowing embers were packaged separately in plastic bags located in the control area of the fireplace.

Install the logs per the instructions in the Care and Operation Manual.

DO NOT attempt to install the logs until the appliance installation has been completed, the gas line connected and tested for leaks and the initial burner operation has been checked out.

Proper twig placement is critical to prevent sooting. Twigs should be placed in the gaps between the flame peaks and should be positioned so that at no time they impinge the flames.

1. Remove the appliance front door.
2. Remove the log set from the interior of the fireplace.
3. Remove the logs from their packaging. **Handle logs carefully to prevent breakage.**
4. **MPB-4035 & MPB-4540 Models** - Remove the restraining strap from the grate tines. Ensure the grate is fully inserted into the holes on the firebox rear panel and over the indents on the firebox floor.

Glowing Embers, Vermiculite, Decorative Volcanic Stone And Log Placement Instructions:

Step 1. Separate the Glowing Embers (Rockwool) into pieces about the size of a quarter (*see Figure 26*). Keep the pieces fluffed up, not matted.

MPB-3328 & MPB-3530 Models -

Distribute these pieces over the burner as shown in *Figure 27*. Do not use more than is shown. The glowing embers should not be placed directly over the large burner slots as shown in *Figure 27*.

MPB-4035 & MPB-4540 Models -

Place the center log (Log No. 1) on the burner as shown on *Page 20*. Distribute the glowing ember pieces at the front of the burner as shown in *Figure 28*. Do not use more than is shown. The glowing embers should not be placed directly over the large burner slots as shown in *Figure 28*.

Note: *This appliance is provided with enough Glowing Embers for several applications; do not feel compelled to use all that is in a new bag. For best glowing effect, replace the ember material annually. Replacement Glowing Embers are available (Catalog Number 88L53).*

Step 2. Mound up a portion of the vermiculite (light colored material) in front of the burner and grate. Sprinkle the dark colored decorative volcanic stone on top of the vermiculite in a pleasing pattern. For best results, spread in a non-uniform manner while ensuring complete coverage of the black sheetmetal surface.

See Figure 27 - MPB-3328 or MPB-3530, or Figure 28 - MPB-4035 or MPB-4540 models.

Note: *Do Not place vermiculite or decorative volcanic stone on top of the gas burner where it will block the burner ports.*

Step 3. Position the individual logs as described on *Page 18 (MPB-3328), Page 19 (MPB-3530) or Page 20 (MPB-4035 and MPB-4540).*

Note: *Your application may not require the use of all of the provided vermiculite, or decorative volcanic stone. Replacement vermiculite, volcanic stone and glowing embers is available (see below for ordering information).*

REFERENCE Firebox Accessories / Parts		
Cat. No.	Model No.	Description
88L53	FGE	Bag of Glowing Embers
H6319		Vermiculite, Bag
80L42	FDVS	Bag of Decorative Volcanic Stone

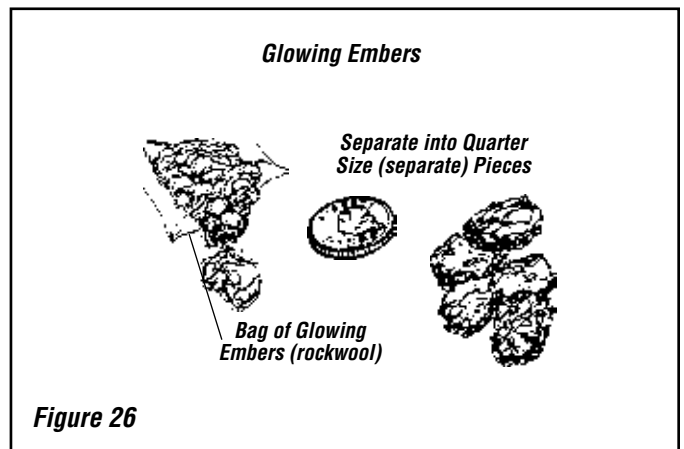


Figure 26

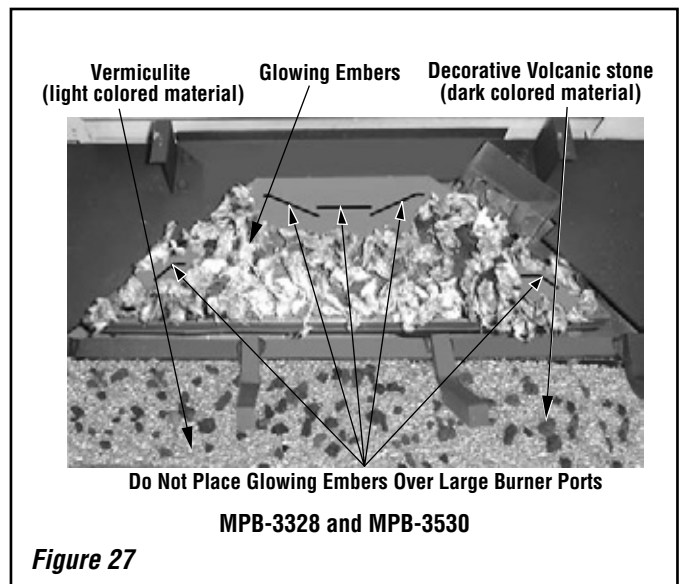


Figure 27

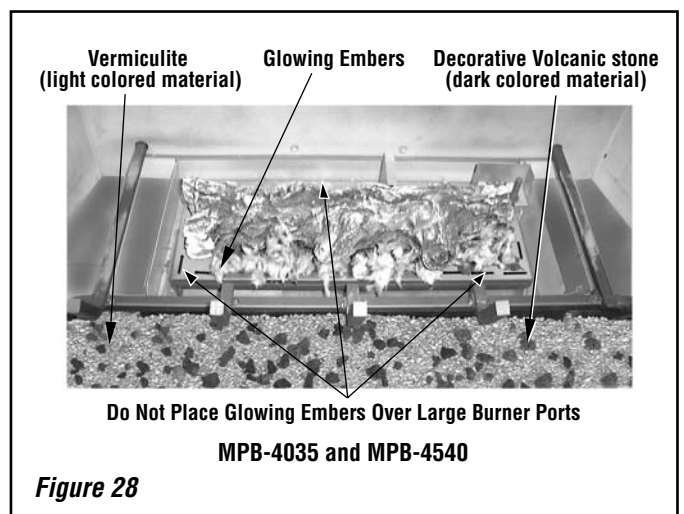
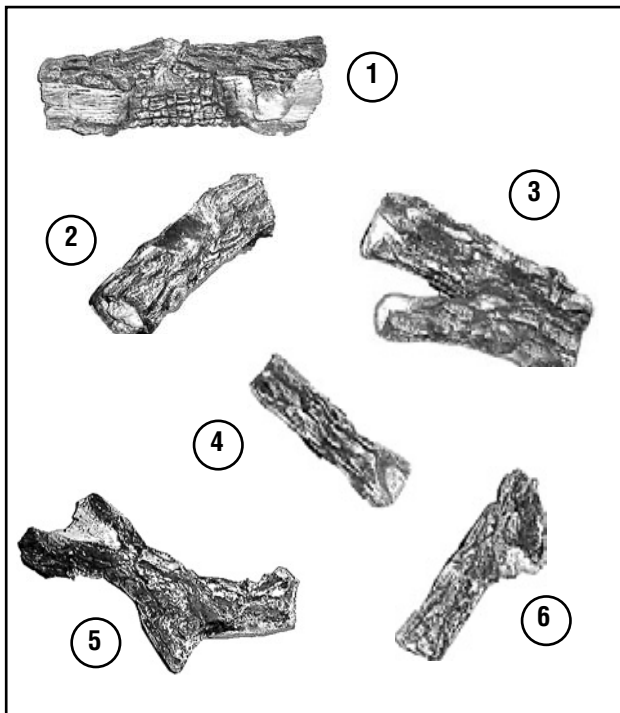


Figure 28

MPB-3328 LOG PLACEMENT



LOG SET Catalog Number 24M1501	
* Item	Description (stamped #)
1	Log, Rear (39-12)
2	Log, Left (39-1)
3	Log, Right (39-2)
4	Log, Top Center (39-13)
5	Log, Top/Left (39-3)
6	Log, Top/Right (39-4)

* Item numbers above correspond to photos

Position the individual logs as shown below. Logs should be placed in the order shown. Position the rear log on the brackets at the rear of the firebox with the log's notches directly over the brackets. Position the right log (log no. 3) by inserting the pin from the rear log into the hole on its upper end. Place the left log and then the smaller left and right top logs. All logs that have notches to fit over the grate tines should be positioned with these notches directly against the grate. All top logs that rest on lower logs, do so over flattened mounting faces in the bottom logs.

Proper log and twig placement is critical to encourage outstanding flame appearance and prevent sooting.

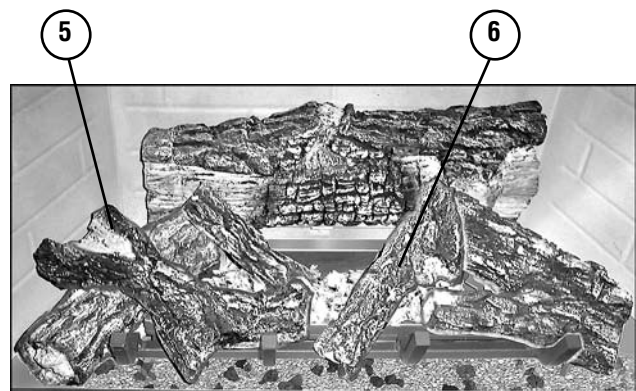
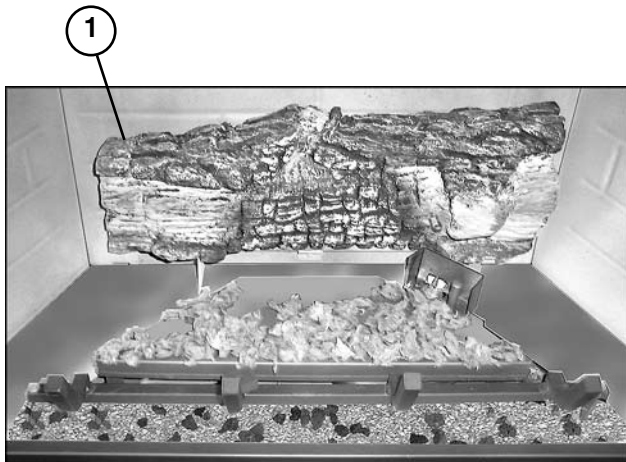
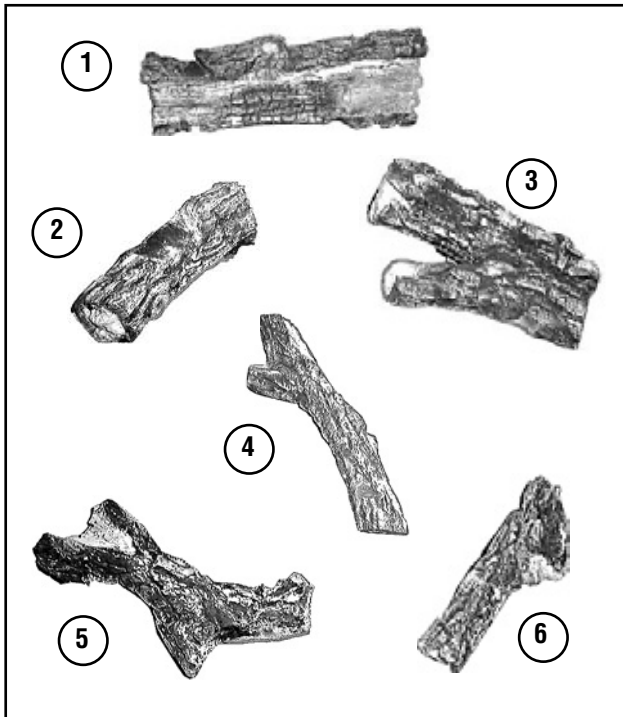


Figure 29

NOTE: DIAGRAMS & ILLUSTRATIONS ARE NOT TO SCALE.

MPB-3530 LOG PLACEMENT



LOG SET Catalog Number 24M2201	
* Item	Description (stamped #)
1	Log, Rear (39-5)
2	Log, Left (39-1)
3	Log, Right (39-2)
4	Log, Top Center (39-6)
5	Log, Top/Left (39-3)
6	Log, Top/Right (39-4)

** Item numbers above correspond to photos*

Position the individual logs as shown below. Logs should be placed in the order shown. Position the rear log on the brackets at the rear of the firebox with the log's notches directly over the brackets. Position the right log (log no. 3) by inserting the pin from the rear log into the hole on its upper end. Place the left log and then the smaller left and right top logs. All logs that have notches to fit over the grate tines should be positioned with these notches directly against the grate. All top logs that rest on lower logs, do so over flattened mounting faces in the bottom logs.

Proper log and twig placement is critical to encourage outstanding flame appearance and prevent sooting.

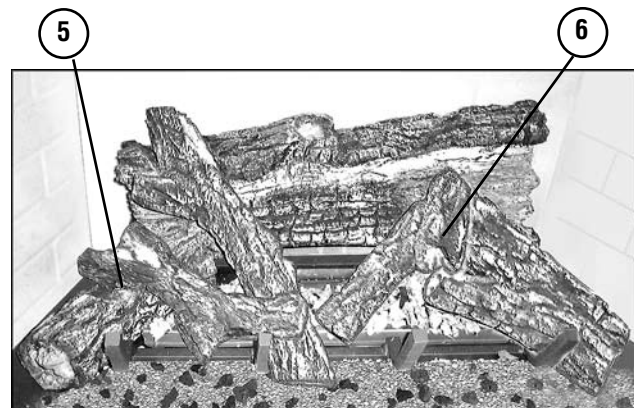
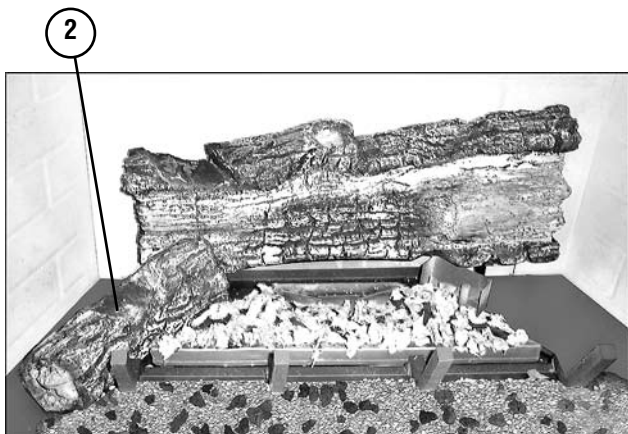
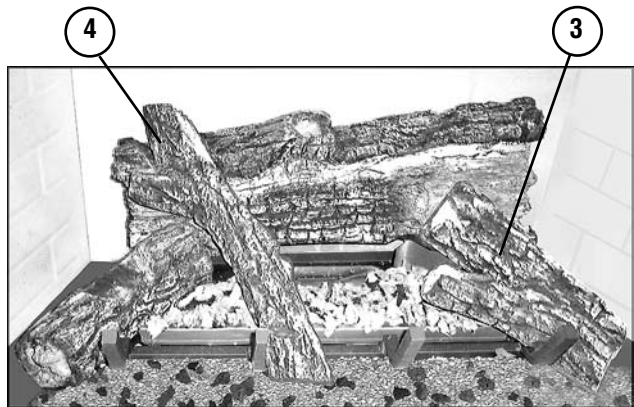
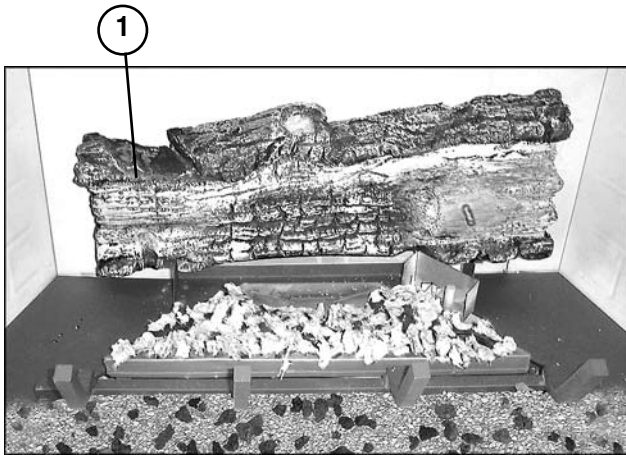
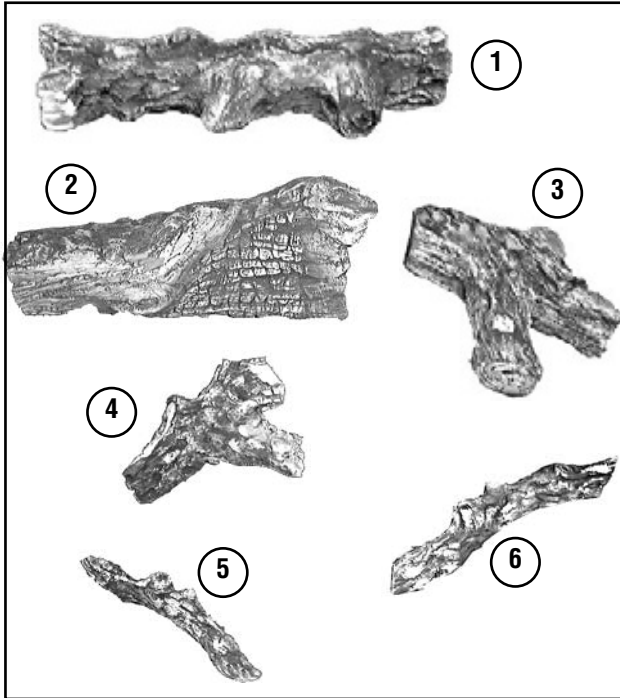


Figure 30

NOTE: DIAGRAMS & ILLUSTRATIONS ARE NOT TO SCALE.

MPB-4035 & MPB-4540 LOG PLACEMENT



LOG SET Catalog Number 24M2501	
* Item	Description (stamped #)
1	Log, Center (39-8)
2	Log, Rear (138)
3	Log, Right (39-10)
4	Log, Left (39-9)
5	Log, Top/Left (39-11)
6	Log, Top/Right (39-11)

* Item numbers above correspond to photos

Position the individual logs as shown below. Logs should be placed in the order shown. Position the center log on the burner first, then place the glowing embers as shown in **Figure 28**. Place the rear log, both the right and left, and then the smaller left and right top logs. All logs that have notches to fit over the grate tines should be positioned with these notches directly against the grate. All top logs that rest on lower logs, do so over flattened mounting faces in the bottom logs.

Proper log and twig placement is critical to encourage outstanding flame appearance and prevent sooting.

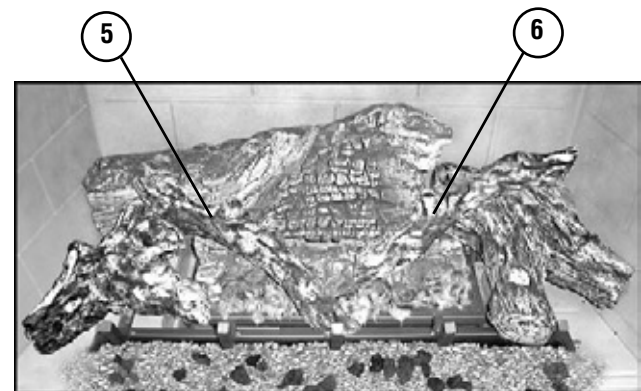
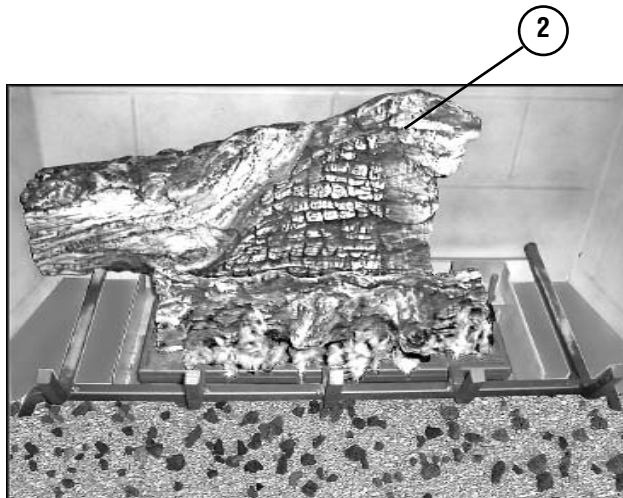
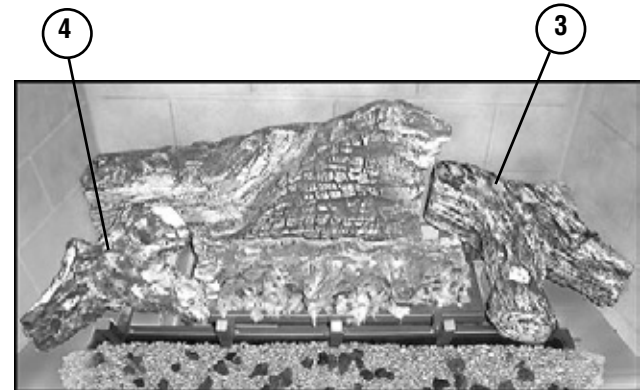
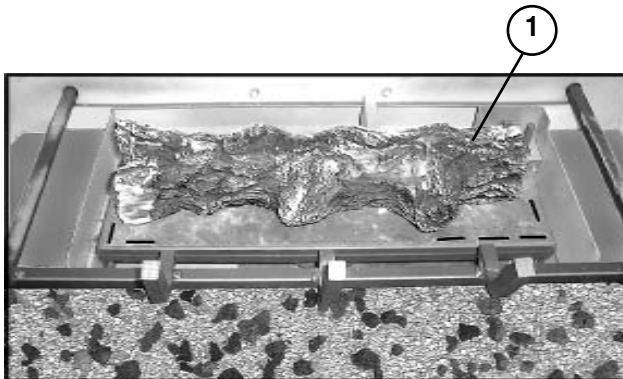


Figure 31

Step 10. INSTALLATION AND REMOVAL OF GLASS DOOR

WARNING

- Do not attempt to substitute the materials used on this door, or replace cracked or broken glass.
- Handle this glass with extreme care! Glass is susceptible to damage – Do not scratch or handle roughly while reinstalling the glass door frame.
- The glass door(s) of this appliance must only be replaced as a complete unit as provided by the manufacturer. Do not attempt to replace broken, cracked or chipped glass separately.
- Do not attempt to touch the front enclosure glass with your hands while the fireplace is in use.

WARNING

Do not operate appliance with the glass front removed, cracked or broken.

AVERTISSEMENT

Ne pas utiliser l'appareil si le panneau frontal en verre n'est pas en place, est craqué ou brisé.

Only doors certified with the appliance shall be used.

Seules des portes certifiées pour cet appareil doivent être utilisées.

CAUTION: DO NOT abuse glass door by striking or slamming shut.

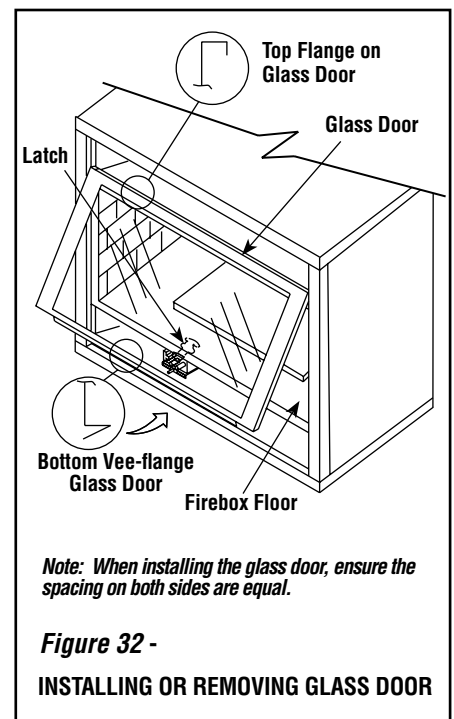
These appliances are designed to operate only with the front glass enclosure panel properly installed. Generally, the glass enclosure panel should not be removed except to gain access to the components within the firebox, and the appliance may only be operated without the front glass enclosure panel in place for very brief periods of time during initial appliance checkout and adjustment.

Removing Glass Enclosure Panels (see Figure 32)

1. Remove the top louver assembly or radiant panel.
2. Open the hinged drop-down control compartment access panel.
3. Locate the latch at the top of the control compartment and disengage it from the door frame bottom Vee-flange, pulling down on its handle to open it.
4. Swing the bottom of the door out and raise it slightly to lift the top flange of the door frame away from the appliance.

Installing Glass Enclosure Panels (see Figure 32)

1. Retrieve the glass door frame. Visually inspect the gasket on the backside of the panel. The gasket surface must be clean, free of irregularities and seated firmly.
2. Position the door frame in front of the firebox opening and engage the top flange over the lip at the top of the firebox opening.
3. Swing the door down and back. Ensure the gasket seats evenly as the door draws shut. Engage the Vee-flange at the bottom of the door with the latch and close the latch to secure the door.
4. Reinstall the top louver assembly or radiant panel.



Step 11. BURNER ADJUSTMENTS

Flame Appearance and Sooting

Proper flame appearance is a flame which is blue at the base and becomes yellowish-orange in the body of the flame.

When the appliance is first lit, the entire flame may be blue and will gradually turn yellowish-orange during the first 15 minutes of operation. After 15 minutes of operation, if the flame is blue, or if the flame is orange with evidence of sooting (black tip), the air shutter opening may need to be adjusted.

If the air shutter opening is closed too far, sooting may develop. Sooting is indicated by black puffs developing at the tips of very long orange flames. Sooting results in black deposits forming on the logs, appliance inside surfaces and on exterior surfaces adjacent to the vent termination.

Sooting is caused by incomplete combustion in the flames and lack of combustion air entering the air shutter opening. To achieve a warm yellowish-orange flame with an orange body that does not soot, the shutter opening must be adjusted between these two extremes.

Air Shutter Adjustment Guidelines

- If there is smoke or soot present, first check the log set positioning to ensure that the flames are not impinging on any of the logs. If the log set is properly positioned and a sooting condition still exists, then the air shutter opening should be increased.
- The more offsets in the vent system, the larger the air shutter opening will need to be.
- An appliance operated with the air shutter opened too far, may have flames that appear blue and transparent. These weak, blue and transparent flames are termed anemic.
- Propane models may exhibit flames which candle or appear stringy. If this is present and persists, adjust the air shutter to a more closed position, then operate the appliance for a few more minutes to ensure that the flame normalizes and the flames do not appear sooty.

The following chart is provided to aid you in achieving the correct air shutter adjustment for your installation.

Air Shutter Adjustment Guidelines:		
Amount of Primary Air	Flame Color	Air Shutter Adjustment
If air shutter is closed too far →	Flame will be orange →	Air shutter gap should be increased
If air shutter is open too far →	Flame will be blue →	Air shutter gap should be decreased

Burner Air Shutter Adjustment

! WARNINGS

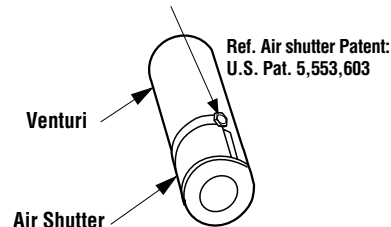
- Air shutter adjustment should only be performed by a qualified professional service technician.
- Ensure front glass panel are in place and sealed during adjustment.

! CAUTIONS

- Soot will be produced if the air shutter is closed too much. Any damage due to carboning resulting from improperly setting the air shutter is not covered under the warranty.
- The air shutter door and nearby appliance surfaces are hot. Exercise caution to avoid injury while adjusting flame appearance.

Note - The air shutter for the burner primary air opening is factory-set. Do not adjust the factory-set position. The factory-set position is shown in **Figure 33**.

Setscrew - Factory located in the natural gas position; relocate set screw for LP/propane gas in the alternate position. See table for air shutter openings for these setscrew locations.



Main Burner Factory Air Shutter Opening Setting - Inches (millimeter)		
Model	Natural Gas	Propane Gas
MPB-3328	Fully Closed	3/16" (4.76 mm)
MPB-3530	Fully Closed	3/16" (4.76 mm)
MPB-4035	Fully Closed	3/16" (4.76 mm)
MPB-4540	Fully Closed	3/16" (4.76 mm)

Figure 33

NOTE: DIAGRAMS & ILLUSTRATIONS ARE NOT TO SCALE.

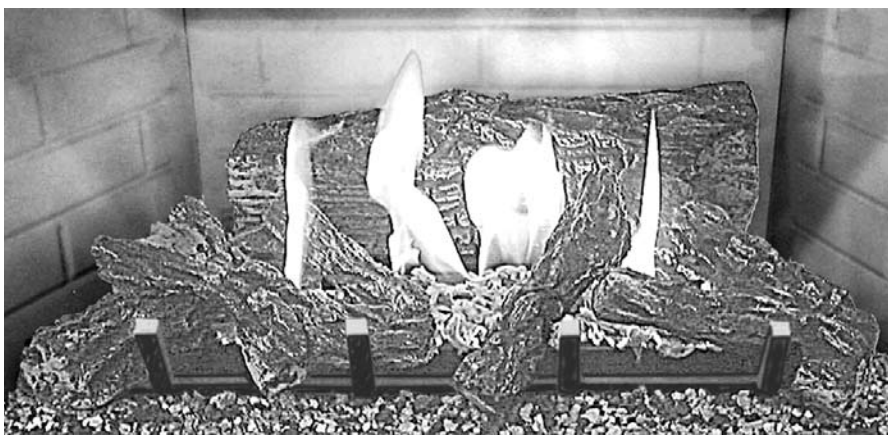


Figure 34 Burner Flame Appearance - Model MPB-3328

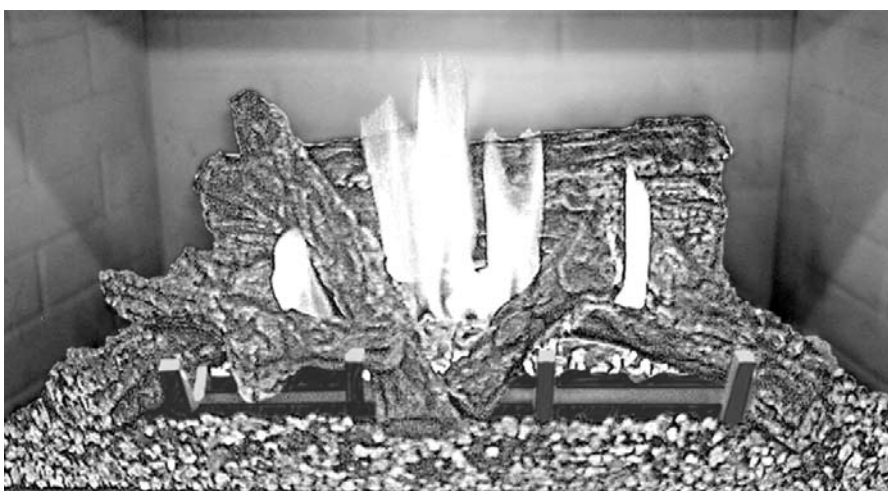


Figure 35 Burner Flame Appearance - Model MPB-3530

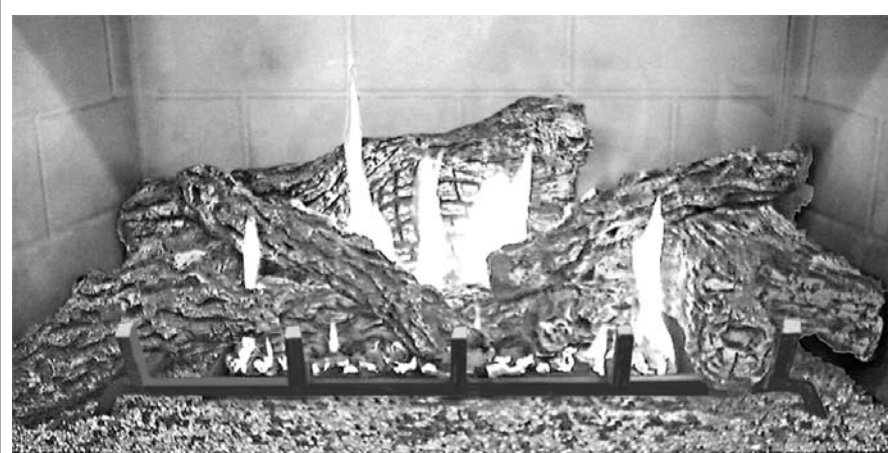


Figure 36 Burner Flame Appearance - Model MPB-4035 & MPB-4540

NOTE: DIAGRAMS & ILLUSTRATIONS ARE NOT TO SCALE.

Step 12. VENT OPERATION TEST

After appliance installation, perform this vent operation test to verify that proper venting conditions exist:

- 1 - Place unit in its normally-operated condition, that is, with the glass enclosure panel in place.
- 2 - Close all doors and windows in the room. Turn on all exhaust fans in the house.
- 3 - Light the appliance.
- 4 - Wait 15 minutes.
- 5 - To check for venting action, start by holding a smoke producing device below the glass enclosure panel. The smoke should be drawn into the control compartment. Continue the test by moving the smoke producing device along the entire length of below the glass door.
- 6 - **If the smoke is not drawn into the control compartment, turn off the appliance and call a qualified service technician.**

Manually-Reset Safety Limit Switch

This appliance is equipped with a manually-reset blocked flue safety limit switch. Refer to **Figure 37** for its location. If, during appliance operation, the flame goes out (independently of the burner on/off wall switch), it may be due to the operation of this safety limit switch. **First allow the appliance to cool.** Remove top louver panel. Then reset the safety limit switch by pushing the red reset button, located between the wire terminals, on the back of the switch. See **Detail A of Figure 37** for location.

The appliance should then relight and remain lit. Reinstall top louver panel. If the appliance does not relight, **turn off the appliance and call for a qualified service technician.**

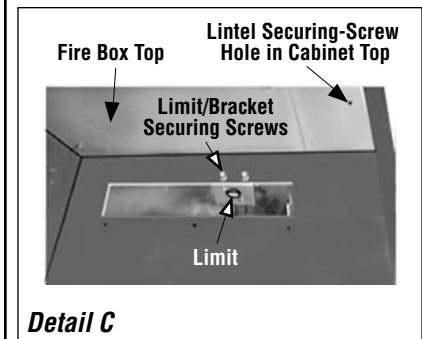
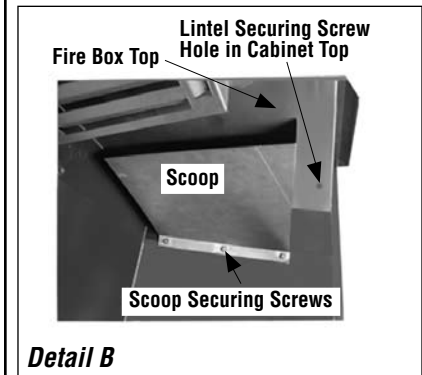
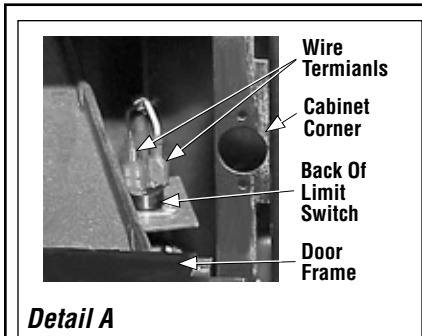
To replace the blocked flue safety limit switch refer to Figure 37 (Details B and C):

NOTE - This procedure should only be performed by a qualified service technician.

Important - Turn electrical power off before beginning this procedure.

- 1 - Lower the bottom control compartment access panel. Remove the glass enclosure panel: open the latch (located in the center of the unit front opening, under the firebox floor) securing the glass enclosure panel. Remove the panel by tilting it outward at the bottom and lifting it up. Set the door aside protecting it from inadvertent damage. See **Figure 32 on Page 21**.
- 2 - Remove the lintel securing screws (3) and then remove the lintel. One of the lintel cabinet top holes is shown in **Figure 37 (Detail B)**.
- 3 - Remove the scoop securing screws (3) and then remove the scoop. See **Figure 37 (Detail B)**.

- 4 - Remove the safety switch bracket securing screws (2), and pull the switch/bracket assembly, with low voltage wires attached, through the side panel slot into the firebox. See **Figure 37, Detail C**.
- 5 - Replace the switch.
- 6 - Reinstall the switch/bracket assembly.
- 7 - Reinstall the scoop and lintel.
- 8 - Reinstall the glass enclosure panel.
- 9 - Raise the bottom control compartment access panel.
- 10 - The appliance should then relight and remain lit. If this does not occur, check unit for a blocked flue condition.



Blocked Flue Safety Limit Location, Inside View of Firebox, Top/Right Side Intersection

Figure 37

Step 13. HOOD INSTALLATION

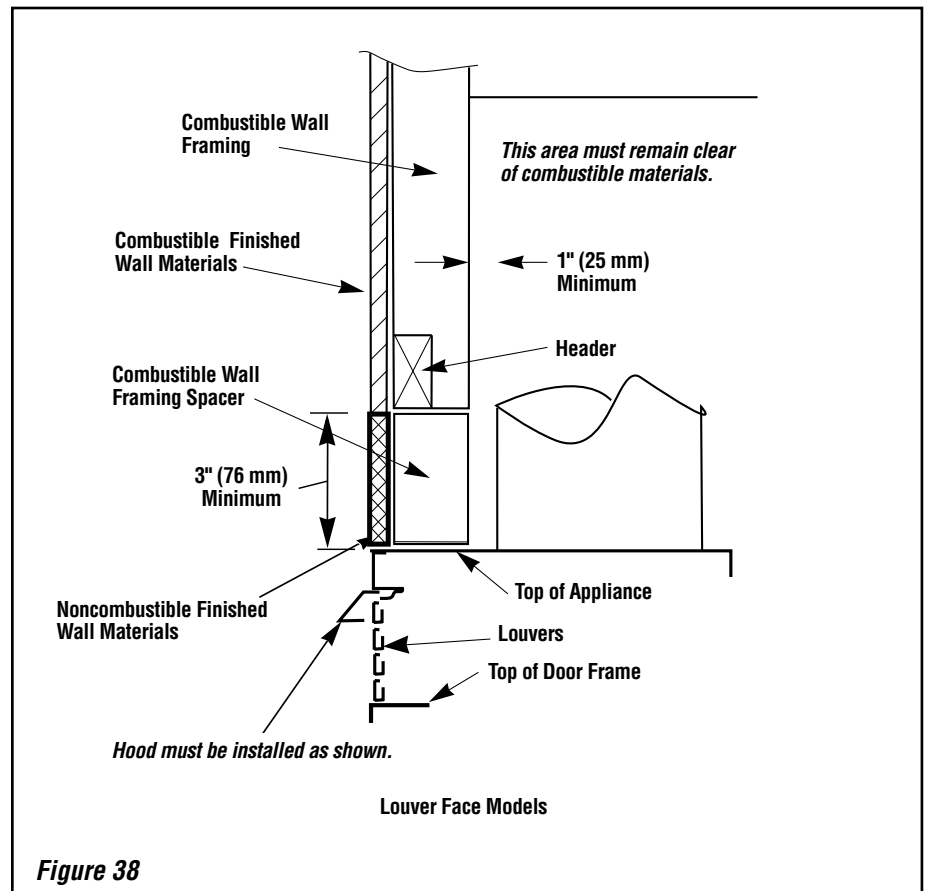
All of these appliances must have a hood installed prior to operating on the side with a glass enclosure panel.

On louvered face units, slide the hood into the slots on the lower edge of the cabinet top (**see Figure 38**).

FINISHING REQUIREMENTS

Wall Details

Complete finished interior wall. To install the appliance facing flush with the finished wall, position framework to accommodate the thickness of the finished wall (**see Figure 38**).



Step 14. ATTACHING SAFETY IN OPERATION WARNINGS

It is the installer's responsibility to ensure these warnings are properly affixed during installation. These warning labels are a critical step in informing consumers of safe operation of this appliance.

ATTACHING SAFETY-IN-OPERATION WARNINGS

Your fireplace has been furnished with safety instruction labels that are to be affixed to the operation and control point of the fireplace. A safety instruction label should be affixed to the wall switch plate where the fireplace is turned on and off (*See Figure A*) and if used on the remote control handheld transmitter (*Figure B*). The warnings should already have been put in place when the fireplace initial set-up was completed. If they are not affixed at these spots, locate the multi-lingual adhesive labels provided with these instructions and proceed as follows:

1. Locate the wall switch that controls the fireplace (verify the switch operates the fireplace by turning it on and off). Clean the wall switch plate thoroughly to remove any dust and oils. Affix the label to the surface of the plate of the wall switch that controls the fireplace (*Figure A*). Choose the language primarily spoken in the home.
2. If a remote control is used to control the fireplace, locate the transmitter and clean it thoroughly to remove any dust and oils. Affix the label to the surface of handheld transmitter (*Figure B*). Choose the language primarily spoken in the home.
3. If you are unable to locate the labels, please call Lennox Hearth Products or your nearest Lennox Hearth Products dealer to receive additional safety instruction labels free of charge.

Cat. No. H8024 Replacement Label Kit

LENNOX HEARTH PRODUCTS
1-800-9-LENNOX

Note: English is red text on clear label. French and Spanish are white text on black label.

SAFETY LABEL DIAGRAMS



Figure A

APPOSITION DES MISES EN GARDE RELATIVES À LA SÉCURITÉ D'UTILISATION

Votre foyer a été livré avec des étiquettes de sécurité qui doivent être collées à côté des dispositifs de contrôle du foyer. Une étiquette de sécurité devrait être collée sur la plaque de l'interrupteur contrôlant l'allumage du foyer (*voir Figure A*) et, le cas échéant, sur le boîtier de la télécommande (*Figure B*). Les mises en garde auraient dû être collées au moment de l'installation initiale du foyer. Si ce n'est pas le cas, prenez les étiquettes adhésives multilingues fournies avec ces instructions et procédez comme suit:

1. Repérez l'interrupteur qui contrôle le foyer (vérifiez que l'interrupteur contrôle le fonctionnement du foyer en le faisant basculer de Marche à Arrêt, et vice-versa). Nettoyez soigneusement la plaque murale de l'interrupteur pour éliminer la poussière et les traces de graisse ou d'huile. Collez l'étiquette sur la surface de la plaque de l'interrupteur mural qui contrôle le foyer (*Figure A*). Choisissez la langue qui est principalement parlée dans la résidence du propriétaire.
2. Si une télécommande est utilisée pour contrôler le foyer, nettoyez la soigneusement pour éliminer la poussière et les traces de graisse ou d'huile. Collez l'étiquette sur le boîtier de la télécommande (*Figure B*). Choisissez la langue qui est principalement parlée dans la résidence du propriétaire.
3. Si vous ne trouvez pas les étiquettes, veuillez appeler Lennox Hearth Products ou votre distributeur Lennox Hearth Products local pour recevoir gratuitement des étiquettes supplémentaires.

Étiquettes de remplacement, n° cat. H8024

LENNOX HEARTH PRODUCTS
1-800-9-LENNOX

Remarque : Le texte anglais est rouge sur un support transparent. Le texte français et espagnol est blanc sur un support noir.

DIAGRAMMES DES ÉTIQUETTES DE SÉCURITÉ



Figure B

COLOCACIÓN DE ADVERTENCIAS DE SEGURIDAD EN OPERACIÓN

Su chimenea incluye etiquetas de instrucciones de seguridad que deben colocarse en el punto de operación y control de la chimenea. Se debe colocar una etiqueta de instrucciones de seguridad en la placa del interruptor de pared desde el cual se enciende y se apaga la chimenea (*ver la Figura A*) y en el transmisor de control remoto (*Figura B*) si se usa. Las advertencias ya deben haberse colocadas cuando se completó la instalación inicial de la chimenea. Si no están colocadas en estos lugares, encuentre las etiquetas adhesivas multilingües proporcionadas con estas instrucciones y prosiga de la siguiente manera:

1. Identifique el interruptor de pared que controla la chimenea (verifique que el interruptor opera la chimenea encendiéndola y apagándola). Limpie bien la placa del interruptor de pared para quitar el polvo y aceite. Pegue la etiqueta en la superficie de la placa del interruptor que controla la chimenea (*Figura A*). Seleccione el idioma que más se habla en la casa.
2. Si se usa un control remoto para controlar la chimenea, encuentre el transmisor y límpielo bien para quitar el polvo y aceite. Pegue la etiqueta en la superficie del transmisor (*Figura B*). Seleccione el idioma que más se habla en la casa.
3. Si no puede encontrar las etiquetas, sírvase llamar a Lennox Hearth Products o al distribuidor de Lennox Hearth Products más cercano para recibir etiquetas de instrucciones de seguridad adicionales gratuitas.

Juego de etiquetas de repuesto - N° de cat. H8024

LENNOX HEARTH PRODUCTS
1-800-9-LENNOX

Nota: La etiqueta en inglés es transparente con texto rojo. Las etiquetas en francés y español son negras con texto blanco.

DIAGRAMAS DE ETIQUETAS DE SEGURIDAD



NOTE: DIAGRAMS & ILLUSTRATIONS ARE NOT TO SCALE.

GAS CONVERSION KITS

WARNING

This conversion kit shall be installed by a qualified service agency in accordance with the manufacturer's instructions and all applicable codes and requirements of the authority having jurisdiction. If the information in these instructions is not followed exactly, a fire, explosion or production of carbon monoxide may result causing property damage, personal injury or loss of life. The qualified service agency is responsible for the proper installation of this kit. The installation is not proper and complete until the operation of the converted appliance is checked as specified in the manufacturer's instructions supplied with the kit. The qualified service agency performing this installation assumes responsibility for this conversion.

AVERTISSEMENT

Cette trousse de conversion doit être installée par un technicien agréé, selon les instructions du fabricant et selon toutes les exigences et tous les codes pertinents de l'autorité compétente. Assurez-vous de bien suivre les instructions dans cette notice pour réduire au minimum le risque d'incendie, d'explosion ou la production de monoxyde de carbone pouvant causer des dommages matériels, des blessures ou la mort. Le technicien agréé est responsable de l'installation de cette trousse. L'installation n'est pas adéquate ni complète tant que le bon fonctionnement de l'appareil converti n'a pas été vérifié selon les instructions du fabricant fournies avec la trousse. Le fournisseur de service qualifié ayant réalisé l'installation assume les responsabilités liées à la conversion.

In Canada:

THE CONVERSION SHALL BE CARRIED OUT IN ACCORDANCE WITH THE REQUIREMENTS OF THE PROVINCIAL AUTHORITIES HAVING JURISDICTION AND IN ACCORDANCE WITH THE REQUIREMENTS OF THE CAN/CSA-B149.1 INSTALLATION CODE.

LA CONVERSION DEVRA ÊTRE EFFECTUÉE CONFORMÉMENT AUX RECOMMANDATIONS DES AUTORITÉS PROVINCIALES AYANT JURISDICTION ET CONFORMÉMENT AUX EXIGENCES DU CODE D'INSTALLATION CAN/CSA-B149.1.

Gas conversion kits are available to adapt your appliance from the use of one type of gas to the use of another. These kits contain all the necessary components needed to complete the task including labeling that must be affixed to ensure safe operation.

Kit part numbers are listed here and the following steps detail the conversion procedure. Refer to the instructions provided with the conversion kit when performing any gas conversion.

<i>Millivolt SIT Systems Propane to Natural Gas Conversion Kits</i>	
Models	Cat. No.
MPB-3328	19M43
MPB-3530	H2012
MPB-4035	H2014
MPB-4540	H2016

<i>Millivolt SIT Systems Natural Gas To Propane Gas Conversion Kits</i>	
Models	Cat. No.
MPB-3328	H2009
MPB-3530	H2011
MPB-4035	H2013
MPB-4540	H2015

NOTE: DIAGRAMS & ILLUSTRATIONS ARE NOT TO SCALE.

Electronic HONEYWELL Systems Natural Gas To Propane Gas Conversion Kits

Models	Cat. No.
MPB-3328	26M59
MPB-3530	26M60
MPB-4035	26M61
MPB-4540	26M62

Electronic HONEYWELL Systems Propane Gas To Natural Gas Conversion Kits

Models	Cat. No.
MPB-3328	19M45
MPB-3530	26M64
MPB-4035	26M65
MPB-4540	26M66

INSTALLATION INSTRUCTIONS

Step 1. TURN OFF THE GAS SUPPLY TO THE APPLIANCE and disconnect power supply at the circuit breaker. Ensure appliance is cold.

CAUTION: THE GAS SUPPLY SHALL BE SHUT OFF PRIOR TO DISCONNECTING THE ELECTRICAL POWER, BEFORE PROCEEDING WITH THE CONVERSION.

ATTENTION. AVANT D'EFFECTUER LA CONVERSION, COUPEZ D'ABORD L'ALIMENTATION EN GAZ, ENSUITE, COUPEZ L'ALIMENTATION ÉLECTRIQUE.

Step 2. Remove the front glass door/frame. See *Figure 21*. Access the control compartment. See *Figure 19*.

Step 3. Carefully remove the logs. **Exercise care so as not to break the logs.**

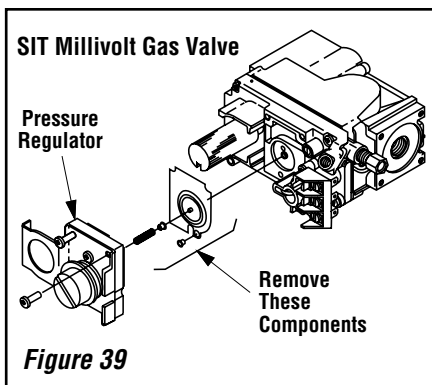
Step 4. Remove the burner assembly with attached venturi tube.

Step 5. Locate the screws securing the burner assembly to the appliance. Remove the burner assembly and retain the securing screws.

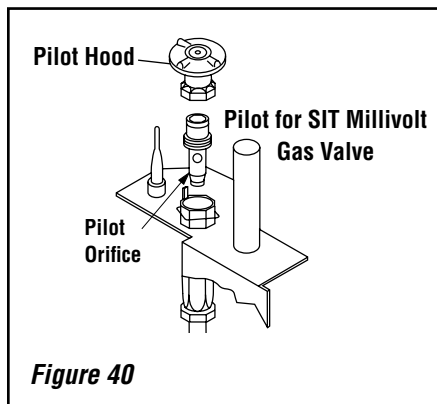
Step 6. Millivolt Appliances - SIT Systems

a. Refer to *Figure 39* and the instructions provided with the kit. Using a Torx T20 (with 1/4" shank and center hole), remove and discard the three pressure regulator mounting screws. Remove the pressure regulator, spring, poppet, diaphragm and bushing. **Discard all removed components.**

Ensure the rubber gasket installed on the back of the replacement pressure regulator is properly positioned, and install the new pressure regulator using the new screws supplied with the kit. Tighten screws to 25 In. lb. torque.

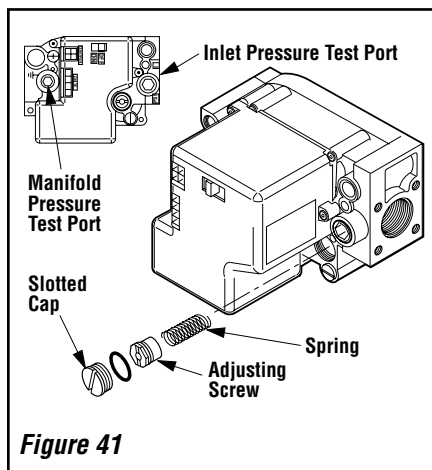


b. Refer to **Figure 40** and remove the pilot hood assembly to access the hexed pilot orifice. Remove and replace the orifice with the one provided with the kit.



Step 7. Electronic Appliances - Honeywell Systems

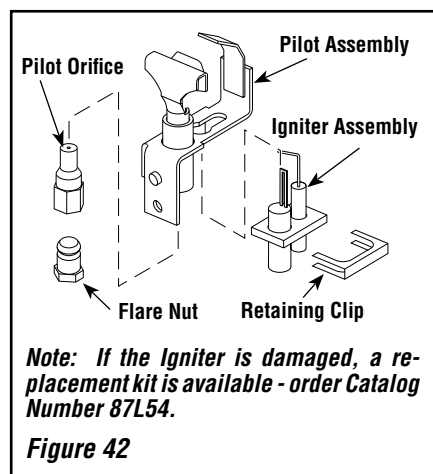
See **Figure 41** and the instructions provided with the kit. Remove the slotted cap screw, o-ring, pressure-regulating adjusting screw and spring. Retain all parts for possible later use. Install new components from the kit. Black cap and red spring for propane gas units. Silver cap and stainless steel spring for natural gas units.



See **Figure 42** and replace the pilot orifice as follows: Remove the igniter assembly retainer clip, and carefully remove the igniter assembly.

Exercise extreme care to prevent damage to or breakage of the igniter assembly. Remove the screw securing the pilot assembly to its mounting bracket. Back off the flare nut at the end of the pilot gas line to free the pilot assembly from the gas line. Remove the pilot orifice and replace it with the one provided with the conversion kit. Reinstall the pilot assembly by reversing the steps detailed here.

When reinstalling the igniter assembly, use extreme care to prevent damage and breakage. Do not apply any leverage to the igniter assembly while restoring the retainer clip to its original position.



Note: If the Igniter is damaged, a replacement kit is available - order Catalog Number 87L54.

All Models

Step 8. VERIFY THE PROPER ORIFICE SIZE BEFORE INSTALLING IT.

Figure 43 illustrates the orifice.

Remove the orifice from the manifold, and replace it with the one provided with the kit.

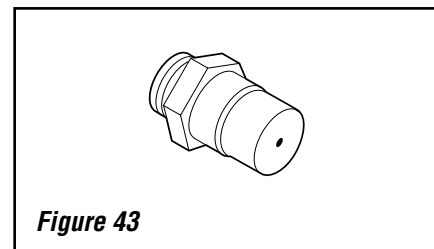
See **Table 8** for orifice sizes for natural and propane models.

Use pipe joint compound or Teflon tape on all pipe fittings before installing.

Note: ALWAYS use propane-resistant compounds in propane applications. NEVER use pipe joint compounds on flare fittings.

Burner Orifice Sizes Elevation 0-4500 feet (0-1372 meters)		
Models	Natural Gas drill size (inches)	Propane Gas drill size (inches)
MPB-3328	#47 (.0785")	#1.2mm (.048")
MPB-3530	#44 (.086")	#55 (.052")
MPB-4035	#37 (.104")	1/16" (.0625")
MPB-4540	#36 (.1065")	#52 (.0635")

Table 8



Step 9. Reassemble all removed components by reversing the procedures outlined in the preceding steps. Use pipe joint compound or Teflon tape on all pipe fittings before installing (ensure propane resistant compounds are used in propane applications, do not use pipe joint compounds on flare fittings).

Step 10. Attach the conversion label provided in the conversion kit to the rating plate on the appliance.

Step 11. Turn on gas supply and test for gas leaks.

Step 12. Attach manometer to the manifold side pressure test fitting and verify manifold pressure reads 3.5 inches water column (0.87 kPa) for natural gas, and 10.0 inches water column (2.49 kPa) for propane gas.

ALWAYS TEST PRESSURES WITH THE VALVE REGULATOR CONTROL AT THE HIGHEST SETTING.

Lennox Hearth Products reserves the right to make changes at any time, without notice, in design, materials, specifications, prices and also to discontinue colors, styles and products. Consult your local distributor for fireplace code information.



Printed in U.S.A. © 2005 Lennox Hearth Products
P/N 850033M Rev. G 01/2011

1508 Elm Hill Pike, Suite 108 • Nashville, TN 37210

Free Manuals Download Website

<http://myh66.com>

<http://usermanuals.us>

<http://www.somanuals.com>

<http://www.4manuals.cc>

<http://www.manual-lib.com>

<http://www.404manual.com>

<http://www.luxmanual.com>

<http://aubethermostatmanual.com>

Golf course search by state

<http://golfingnear.com>

Email search by domain

<http://emailbydomain.com>

Auto manuals search

<http://auto.somanuals.com>

TV manuals search

<http://tv.somanuals.com>