

© 2006 Jabra, GN Mobile A/S (GN Netcom A/S). All rights reserved. Jabra® is a registered trademark of GN Mobile A/S (GN Netcom A/S). All other trademarks included herein are the property of their respective owners. The Bluetooth® word mark and logos are owned by the Bluetooth SIG, Inc. and any use of such marks by GN Mobile A/S (GN Netcom A/S) is under license.  
(Design and specifications subject to change without notice)



# Jabra BT 135



[www.jabra.com](http://www.jabra.com)

Made in China



RELEASE YOUR JABRA

**Jabra**

Bluetooth headset

User manual

**Jabra**

[www.jabra.com](http://www.jabra.com)

Fig. 1

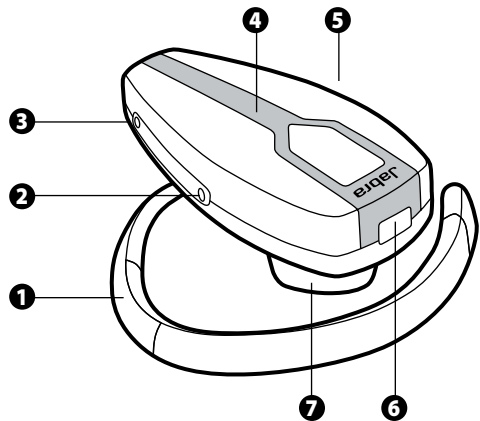


Fig. 2

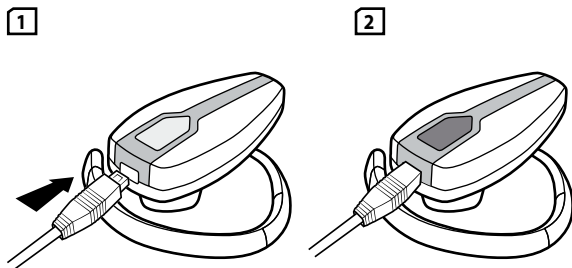


Fig. 3

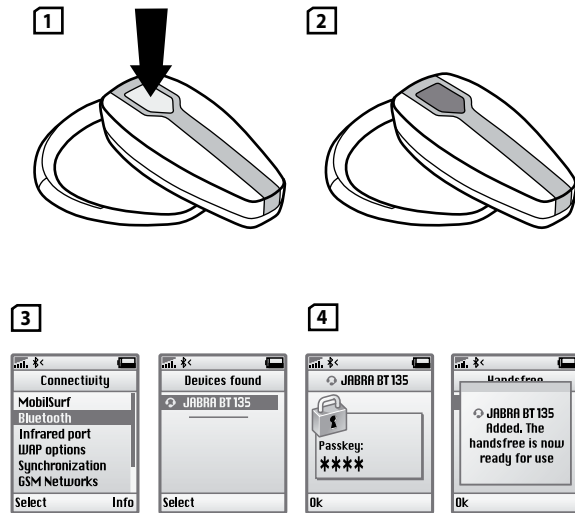


Fig. 4

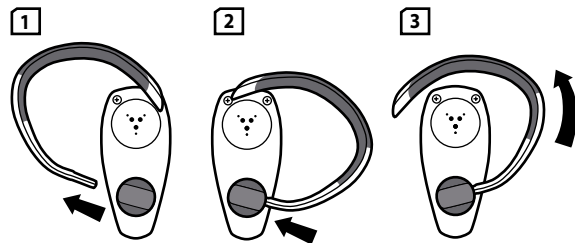


Fig. 5

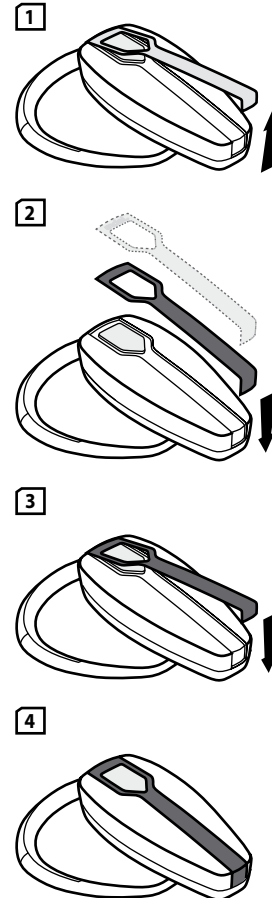
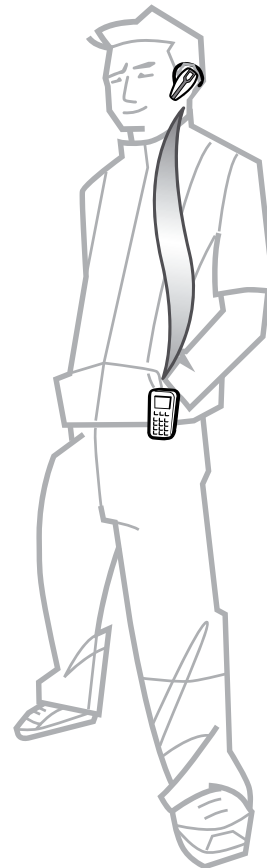


Fig. 6



# Jabra

## BT 135

English (GB)

---

繁體中文 (CN)

---

简体中文 (CN)

---

日本語 (JA)

---

중국어 (KO)

---

ภาษาไทย (TH)

---

**Bahasa malaysia (MA)**

---

# English

1. Thank you .....	4	CN
2. About your Jabra BT135 .....	4	CN
3. What your new headset can do .....	5	JA
4. Getting started .....	5	KO
5. Charge your headset .....	5	TH
6. Turning your headset on and off .....	6	MA
7. Pair it with your phone .....	6	
8. Wear it how you like it .....	6	
9. How to... ..	6	
10. What the lights mean .....	7	
11. Troubleshooting & FAQ .....	8	
12. Need more help? .....	8	
13. Taking care of your headset .....	9	
14. Warranty .....	9	
15. Certification and safety approvals .....	10	
16. Glossary .....	10	

# 1. Thank you

Thank you for purchasing the Jabra BT135 Bluetooth® headset. We hope you enjoy it!

This instruction manual will get you started and ready to make the most of your headset.

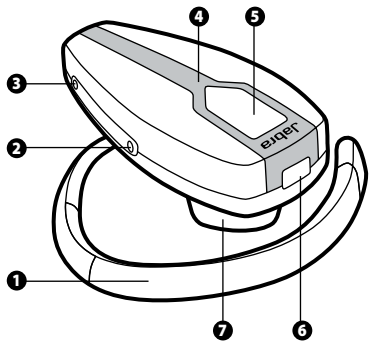
## Remember, driving comes first, not the call!

Using a mobile phone while driving can distract you and increase the likelihood of an accident. If driving conditions demand it (such as bad weather, high traffic density, presence of children in the car, difficult road conditions), pull off the road and park before making or answering calls. Also, try to keep conversations short and do not make notes or read documents.

Always drive safely and follow local laws.

## 2. About your Jabra BT135

- 1 Adjustable earhook
- 2 Volume up
- 3 Volume down
- 4 Snap on cover
- 5 Light indicator (LED) Answer/end button
- 6 Charging socket
- 7 Receiver



# 3. What your new headset can do

Your Jabra BT135 lets you do all this (Dependent on your phone supporting the function):

- Answer calls
- End calls
- Reject calls\*
- Voice dialing\*
- Last number redialing\*
- Call waiting\*
- Put call on hold\*
- Mute

\* Phone dependent

### Specifications

- Talk time up to 8 hours/standby time up to 170 hours
- Rechargeable battery with charging option from AC power supply, PC via USB cable or car charger (PC USB cable and car charger sold separately)
- Weight 14g
- Operating range up to 33 feet (10 meters)
- Headset and hands-free Bluetooth profiles
- Bluetooth specification (see glossary page 10) version 2.0

## 4. Getting started

The Jabra BT135 is easy to operate. The answer/end button on the headset performs different functions depending on how long you press it.

Instruction:	Duration of press
Tap	Press briefly
Press	Approx: 1 second
Press and hold	Approx: 5 seconds

## 5. Charge your headset

Make sure that your Jabra BT135 headset is fully charged for 2 hours before you start using it. Use the AC adaptor to charge from a power socket. Connect your headset as shown in fig. 2. When the light indicator (LED) is solid blue, your headset is charging. When the light indicator (LED) is turned off, it is fully charged. (Follow step 1-2 in fig 2).

## 6. Turning your headset on and off

- Press the answer/end button to turn on your headset.
- Press and hold the answer/end button to turn off your headset.

## 7. Pair it with your phone

Before you use your Jabra BT135, you need to pair it with your mobile phone. (Follow step 1-4 in fig 3).

### 1. Put the headset in pairing mode

- Make sure the headset is off.
- Press and hold the answer/end button  until a solid blue light comes on.

### 2. Set your Bluetooth phone to 'discover' the Jabra BT135

Follow your phone's instruction guide. This usually involves going to a 'setup', 'connect' or 'Bluetooth' menu **on your phone** and selecting the option to 'discover' or 'add' a Bluetooth device.\* (See example from a typical mobile phone in fig. 3)

### 3. Your phone will find the Jabra BT135

Your phone then asks if you want to pair with it. Accept by pressing 'Yes' or 'OK' on the phone and confirm with the **passkey** or **PIN = 0000 (4 zeros)**. Your phone will confirm when pairing is complete. In case of unsuccessful pairing, repeat steps 1 to 3.

## 8. Wear it how you like it

The Jabra BT135 is ready to wear on your right ear. If you prefer the left, gently pull out the earhook, rotate the ear hook 180°, and insert. (See fig 4). The earhook can be adjusted to fit your ear better – squeeze the back edge of the earhook for a more secure fit.

Your Jabra BT135 can be personalized by exchanging the snap-on cover. To change cover, gently pull up the cover from the front of the headset. Insert the new cover by fitting it above the charging socket. (See fig 5).

For optimal performance, wear the Jabra BT135 and your mobile phone on the same side of your body or within line of sight. In general, you will get better performance when there are no obstructions between your headset and your mobile phone. (See fig 6).

## 9. How to...

### Answer a call

- Tap the answer/end button on your headset to answer a call.

### End a call

- Tap the answer/end button to end an active call.

### Make a call

- When you make a call from your mobile phone, the call will (subject to phone settings) automatically transfer to your headset. If your phone does not support this function, tap on the answer/end button on the Jabra BT135 to receive the call in the headset.

### Reject a call\*

- Press the answer/end button when the phone rings to reject an incoming call. Depending on your phone settings, the person who called you will either be forwarded to your voice mail or hear a busy signal.

### Activate voice dialing\*

- Tap the answer/end button. For best results, record the voice-dialing tag through your headset if your phone allows you to do so. Please consult your phone's user manual for more information about using this feature.

### Redial last number\*

- Press the answer/end button.

### Adjust sound and volume

- Press the volume up or down (+ or -) to adjust the volume.

### Call waiting and placing a call on hold\*

This lets you put a call on hold during a conversation and answer a waiting call.

- Press the answer/end button once to put the active call on hold and answer the waiting call.
- Press the answer/end button to switch between the two calls.
- Tap the answer/end button to end the active conversation.

\* Phone dependent

## 10. What the lights mean

What you see	What is the mean about your headset
Flashing blue light	Flashing every second: active on a call
Flashing blue light	Flashing every three seconds: in standby mode
Flashing blue light	Running low on battery
Solid blue light	Charging
Solid blue light	In pairing mode – see section 7

## 11. Troubleshooting & FAQ

CN

### I hear crackling noises

For the best audio quality, always wear your headset on the same side of the body as your mobile phone.

CN

### I cannot hear anything in my headset

- Increase the volume on the headset.
- Ensure that the headset is paired with the phone.
- Make sure that the phone is connected to the headset – if it does not connect either from the phone's Bluetooth menu or by tapping the answer/end button, follow the pairing procedure (*See section 7*).

JA

KO

TH

MA

### I have connection problems

You may have deleted your headset pairing connection in your mobile phone. Follow the pairing instructions in section 7.

### Will the Jabra BT135 work with other Bluetooth equipment?

The Jabra BT135 is designed to work with Bluetooth mobile phones. It can also work with other Bluetooth devices that are compliant with Bluetooth version 1.1, 1.2 or 2.0 and support a headset and/or hands-free profile.

### I cannot use Reject call, call on hold, Redial or voice dialling

These functions are dependent on your phone supporting them. Please check your phone's manual for further details.

## 12. Need more help?

1. Web: [www.Jabra.com](http://www.Jabra.com) (for the latest support info and online User Manuals)
2. Phone toll free Monday to Friday

### Toll Free No:

Australia:	1-800-083-140	(10:00 – 19:00)
China:	800-858-0789	(08:00 – 19:00)
Hong Kong:	800-968-265	(08:00 – 17:00)
Indonesia:	001-803-852-7664	(08:00 – 17:00)
Japan:	0034-800-400-594	(09:00 – 18:00)
Malaysia:	1800-812-160	(08:00 – 17:00)
New Zealand:	0800-447-982	(12:00 – 21:00)
Singapore:	800-860-0019	(08:00 – 17:00)
Taiwan:	0080-186-3013	(08:00 – 19:00)
India:	000-800-852-1185	(05:30 – 14:30)
Philippines:	1800 765 8068	(08:00 – 17:00)

## 13. Taking Care of your headset

Always store the Jabra BT135 with the power off and safely protected..

Avoid storage at extreme temperatures (above 45°C/113°F – including direct sunlight – or below -10°C/14°F). This can shorten battery life and may affect operation. High temperatures may also degrade performance.

If exposed to water or other liquids, the device should be wiped clean from any traces of water.

## 14. Warranty

Jabra (GN Netcom) warrants this product against all defects in material and workmanship for a period of one year from the date of original purchase. The conditions of this warranty and our responsibilities under this warranty are as follows:

- The warranty is limited to the original purchaser
- A copy of your receipt or other proof of purchase is required
- The warranty is void if the serial number, date code label or product label is removed, or if the product has been subject to physical abuse, improper installation, modification, or repair by unauthorized third parties
- The responsibility of Jabra (GN Netcom) products shall be limited to the repair or replacement of the product at its sole discretion
- Any implied warranty on Jabra (GN Netcom) products is limited to one year from the date of purchase on all parts, including any cords and connectors
- Specifically exempt from any warranty are limited-life consumable components subject to normal wear and tear, such as microphone windscreens, ear cushions, decorative finishes, batteries, and other accessories
- Jabra (GN Netcom) is not liable for any incidental or consequential damages arising from the use or misuse of any Jabra (GN Netcom) product
- This warranty gives you specific rights and you may have other rights which vary from area to area
- Unless otherwise instructed in the User Manual, the user may not, under any circumstances, attempt to perform service, adjustments or repairs on this unit, whether in or out of warranty. It must be returned to the purchase point, factory or authorized service agency for all such work
- Jabra (GN Netcom) will not assume any responsibility for any loss or damage incurred in shipping. Any repair work on Jabra (GN Netcom) products by unauthorized third parties voids any warranty

## GB 15. Certification and safety approvals

CN

**China**  
Conforms to the provisions on the Radio Regulations of China.

CN

**Republic of Korea**  
Certified under the provisions of Regulations on Certification of Information and Communication Equipment by Director General of Radio Research Laboratory (Ministry of Information and Communication)

JA

**Taiwan**  
Approved by The Directorate General of Telecommunications (Ministry of Transportation and Communications).

TH

**Singapore**  
Approved by the Infocomm Development Authority of Singapore (IDA) for sale and use in Singapore.

MA

**FCC**  
This device complies with part 15 of the FCC Rules. Operation is subject to the following two conditions: (1) This device may not cause harmful interference, and (2) this device must accept any interference received, including interference that may cause undesired operation.

### CE

This product is CE marked according to the provisions of the R & TTE Directive (99/5/EC).

### Bluetooth

The Bluetooth® word mark and logos are owned by the Bluetooth SIG, Inc. and any use of such marks by GN Netcom is under license. Other trademarks and trade names are those of their respective owners.

## 16. Glossary

**Bluetooth** is a radio technology that connects devices, such as mobile phones and headsets, without wires or cords over a short distance (approx. 30 feet). Get more information at [www.bluetooth.com](http://www.bluetooth.com).

**Bluetooth** profiles are the different ways that Bluetooth devices communicate with other devices. Bluetooth phones support either the headset profile, the hands-free profile or both. In order to support a certain profile, a phone manufacturer must implement certain mandatory features within the phone's software.

**Pairing** creates a unique and encrypted link between two Bluetooth devices and lets them communicate with each other. Bluetooth devices will not work if the devices have not been paired.

**Passkey or PIN** is a code that you enter on your Bluetooth enabled music device (e.g. a mobile phone) to pair it with your Jabra BT135. This makes your device and the Jabra BT135 recognize each other and automatically work together.

**Standby mode** is when the Jabra BT135 is passively waiting for a call. When you 'end' a call on your mobile phone, the headset goes into standby mode.

CN

CN

JA

KO

TH

MA



# 繁體中文

1. 感謝您.....	14	 
2. 關於 Jabra BT135.....	14	 
3. 耳機的功能.....	15	 
4. 操作入門.....	15	 
5. 對耳機麥克風進行充電.....	15	 
6. 開啓和關閉耳機麥克風.....	16	
7. 與電話對接.....	16	
8. 按照您喜歡的方式佩戴耳機.....	16	
9. 如何執行下列操作.....	16	
10. 指示燈的含義.....	17	
11. 故障排除和常見問題.....	17	
12. 需要更多幫助嗎.....	18	
13. 耳機保存.....	18	
14. 保養.....	18	
15. 證明和安全認證.....	19	
16. 術語表.....	20	

## 1. 感謝您

感謝您購買 Jabra BT135 藍芽耳機麥克風。我們希望您能喜歡它！  
本說明手冊可以幫助您學會並充分發揮您的立體聲耳機麥克風的功能。

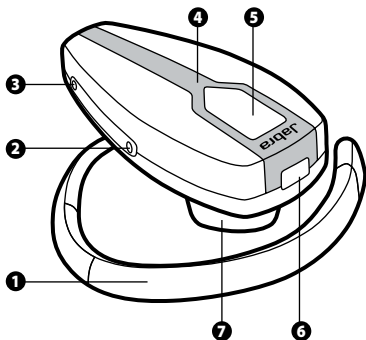
請記住，最重要的是安全駕駛，而不是電話！

駕駛時使用手機會分散您的注意力，增加發生事故的風險。如果駕駛條件較差(如天候不佳、交通壅塞、車內有小孩或路面狀況惡劣)，則應駛離道路並停好車，然後再撥打或接聽電話。另外，如果在駕駛時通話，應儘量保持對話簡短，並請勿製作記錄或閱讀文件。

隨時保持安全駕駛、避免分散注意力，並格遵當地法律。

## 2. 關於 Jabra BT135

- |          |             |
|----------|-------------|
| 1 可調整掛耳鉤 | 5 指示燈 (LED) |
| 2 提高音量   | 接聽/結束按鍵     |
| 3 降低音量   | 6 充電插座      |
| 4 耳機面蓋   | 7 接收器       |



## 3. 耳機的功能

Jabra BT135 可用來完成下列功能(同時選取決於您的電話是否支援這些功能):

- 接聽來電
- 結束來電
- 拒接來電\*
- 語音撥號\*
- 重撥上次撥出號碼\*
- 來電等待\*
- 將來電置於等待狀態\*
- 靜音

\*視個別電話而定

技術說明

- 通話時間最高可達 8 小時/待機時間最高可達 170 小時
- 充電電池, 可使用交流電源、與 PC 相連的 USB 電纜或車載充電器進行充電(個人電腦USB接線和車載充電器另售)
- 重量為 14 克
- 工作範圍可達 33 英尺(10 米)
- 耳機和免持藍芽規範
- 藍芽規格 2.0(請參見 20 頁的術語表)

## 4. 操作入門

Jabra BT135 的操作非常簡單。耳機上的接聽/結束按鈕可根據按下時間的長短,執行不同的功能。

說明:	按下的持續時間
輕按	按一下
按下	大約:1 秒
按住	大約:5 秒

## 5. 對耳機麥克風進行充電

在開始使用之前,確保您的 Jabra BT135 耳機麥克風已充電 2 小時。可以使用交流整流變壓器透過電源插座充電。如圖 2 所示,連接您的耳機。當 LED 指示燈顯示為穩定的藍色時,表示耳機正在充電。當指示燈(LED)熄滅時,表示耳機麥克風已完全充電。(按照圖2的步驟 1-2)。

## 6. 開啟和關閉耳機麥克風

- 按下接聽/結束按鈕可開啟耳機。
- 按住接聽/結束按鈕可關閉耳機。

## 7. 與電話對接

在使用 **Jabra BT135** 之前,需要將其與您的手機對接。(按照圖 3 的步驟 1-4)。

### 1. 將耳機置於對接模式

- 確保耳機已關閉。
- 按下接聽/結束按鈕  直到藍色指示燈穩定發亮。

### 2. 設定您的藍芽電話,使其「發現」**Jabra BT135**

按照電話的使用說明進行操作。該操作通常包括進入您手機的「設定」、「連接」或「藍芽」選單,然後選擇「發現」或「添加」藍芽設備的選項。\* (見圖 3 中典型手機範例)

### 3. 您的手機將找到 **Jabra BT135**

接下來,您的手機將詢問您是否想要與 **Jabra BT135** 對接。按「是」(Yes)或「OK」(確定)接受對接,並使用密鑰或 PIN = 0000(4 個 0)來確認。當對接完成後,您的手機將會確認。如果對接不成功,請重複步驟 1 到 3。

## 8. 按照您喜歡的方式佩戴耳機

**Jabra BT135** 可直接佩戴在右耳上。欲將它戴在左耳,輕輕拉出耳鉤,將它轉動 180° 後再佩戴。(見圖 4)。耳鉤掛鉤可調整,令佩戴更舒適 -- 推動耳機背面邊緣,令佩戴更穩固。

您可更換 **Jabra BT135** 面蓋,讓耳機更能表現您的個人風格。更換蓋子時,將耳機正面的蓋子輕輕拉起。將新面蓋裝在充電插座上。(見圖 5)。

為獲得最佳性能,最好將 **Jabra BT135** 和手機佩戴於身體的同一側或者置於視線以內。一般說來,當您的耳機和手機之間沒有任何阻礙的時候,性能就會更好。(見圖 6)。

## 9. 如何執行下列操作...

### 接聽來電

- 輕按耳機上的接聽/結束按鈕可接聽電話。

### 結束來電

- 輕按接聽/結束按鈕可結束當前通話。

### 撥打電話

- 當您用手機撥打電話時,電話將(根據電話的設定)自動轉接到您的耳機上。若您的電話不支援此功能,輕按 **Jabra BT135** 上的接聽/結束按鈕,將來電轉移到耳機。

### 拒接來電\*

- 當電話鈴聲響起時,按下接聽/結束按鈕可拒接來電。根據您的電話設置,呼叫您的人將被引導至您的語音信箱或聽到忙音。

### 啓動語音撥號\*

- 輕按接聽/結束按鈕。為獲得最佳效果,如果您的手機允許,可透過耳機錄製語音撥號標識。如果要瞭解有關此功能的更多資訊,請查閱您的電話使用者手冊。

### 重撥上次號碼\*

- 按下接聽/結束按鈕。

### 調整聲音和音量

- 按下提高音量或降低音量(+ 或 -)可調節音量。

### 呼叫等待和將通話置於等待狀態\*

此功能允許您在通話時將來電置於等待狀態,而接聽另外一個正在等待的來電。

- 按下接聽/結束按鈕一次可將正在進行的通話置於等待狀態,並接聽正在等待的來電。
- 按下接聽/結束按鈕可在兩個通話之間切換。
- 輕按接聽/結束按鈕可結束當前通話。

\*視個別電話而定

## 10. 指示燈的含義

指示燈狀態	它對您的耳機意味著什麼
閃爍的藍色指示燈	每 1 秒閃爍一次:啓動當前的來電
閃爍的藍色指示燈	每3秒閃爍一次:處於待機模式
閃爍的藍色指示燈	電池電量低
穩定發亮的藍色指示燈	正在充電
穩定發亮的藍色指示燈	處於對接模式 - 請參見第 7 部分

## 11. 故障排除和常見問題

我聽到了劈啪的噪音

為獲得最佳性能,最好將耳機和手機佩戴於身體的同一側。

我在耳機麥克風裏聽不到任何聲音

- 提高耳機麥克風的音量。
- 確保已將耳機麥克風與手機對接好。
- 請確保已將手機連接至耳機 - 若耳機並沒有透過手機選單或輕按接聽/結束按鈕,將之與手機連接好,請按照對接程序進行對接(見第 7 節)。

## 連接有問題

您可能在手機上刪除了對接的耳機。請按照第 7 部分的對接說明進行操作。

## Jabra BT135 會和其它藍芽裝置共同運作嗎？

Jabra BT135 是專門為與藍芽手機共同操作而設計。它同時能和符合藍芽 1.1, 1.2 或 2.0 規格的藍芽裝置共同操作, 並支援耳機及/或免持聽筒。

## 我不能使用拒接來電、呼叫等待、重撥或語音撥號等功能

這必須視您的手機是否支援這些功能而定。要瞭解更多資訊, 請查看您的手機使用手冊。

## 12. 需要更多幫助嗎？

1. 網址: [www.jabra.com](http://www.jabra.com) (提供最新支援資訊和線上用戶手冊)

2. 請在星期一到星期五撥打免費電話 免費電話號碼:

澳洲:	1-800-083-140	(10:00 – 19:00)
中國:	800-858-0789	(08:00 – 19:00)
香港:	800-968-265	(08:00 – 17:00)
印尼:	001-803-852-7664	(08:00 – 17:00)
日本:	0034-800-400-594	(09:00 – 18:00)
馬來西亞:	1800-812-160	(08:00 – 17:00)
新西蘭:	0800-447-982	(12:00 – 21:00)
新加坡:	800-860-0019	(08:00 – 17:00)
台灣:	0080-186-3013	(08:00 – 19:00)
印度:	000-800-852-1185	(05:30 – 14:30)
菲律賓:	1800 765 8068	(08:00 – 17:00)

## 13. 耳機保存

將 Jabra BT135 在電源關閉狀態下妥善存放。

避免存放在極端溫度 (45°C/113°F 以上, 包括陽光直射的地方, 或者 -10°C/14°F) 以下) 中。否則會縮短電池的使用壽命並影響產品性能。高溫也會損害產品性能。

若不慎將裝置曝露於水或其它液體中, 請將水擦乾。

## 14. 保養

Jabra (GN Netcom) 保養自最初購買之日起年內, 該產品在製造材料和工藝方面不存在缺陷。保養條件以及我們的保養責任如下:

- 保養僅適用於原始購買者。
- 要求提供您的收據或其他購買憑證副本。

• 如果序列號、生產日期或產品標籤被撕下, 或該產品曾被粗暴使用、錯誤安裝、改裝或由未經授權的第三方進行維修, 則保養將自動失效。

• Jabra (GN Netcom) 產品的保養責任應僅限於產品的維修或更換, 具體措施由 Jabra 自行決定。

• 任何 Jabra (GN Netcom) 產品的保養期限僅限於壹年 (自所有部件的購買之日算起, 包括連接線和連接器)。

• 屬於正常磨損的有限壽命消費性組件, 例如麥克風防風罩、耳機墊、裝飾、電池和其他附件將不在保養範圍之列。

• Jabra (GN Netcom) 不對使用或濫用任何 Jabra (GN Netcom) 產品所產生的任何直接或間接損失承擔責任。

• 該保養賦予您特定的權利, 您也可擁有因地區而異的其他權利。

• 除非在用戶手冊中另有說明, 否則用戶不得在任何情況下對產品進行維修、調試或修理, 無論產品是否處於保養期內。必須將產品送交購買地點、工廠或經授權的服務機構進行全部上述工作。

• Jabra (GN Netcom) 將不會對運送過程中所產生的任何損失或損壞承擔責任。任何由未經授權的第三方維修過的 Jabra (GN Netcom) 產品, 其保養將自動失效。

## 15. 證明和安全認證

中國:

遵守中國無線電規則條文。

大韓民國:

經無線電研究驗證局 (資訊通訊部) 局長按資訊及通訊儀器證明規則條文證明。

臺灣:

經交通部電信總局認可。

新加坡:

經新加坡資訊通訊發展署批准於新加坡內銷售和及使用。

FCC

此設備符合 FCC 規則第 15 部分的規定。設備使用應遵守下面兩種條件: (1) 此設備不會產生有害干擾, 且 (2) 設備必須承受任何接收到的干擾, 包括可能引起設備工作不正常的干擾。

CE

該產品貼有 CE 標誌, 符合歐盟委員會的 R & TTE Directive (99/5/EC) 條款的規定。

Bluetooth® 字樣和標誌由Bluetooth SIG, Inc. 所有，GN Netcom在得到許可的情況下使用這些標誌。其他商標和商業名稱歸各自所有者所有。

## 16. 術語表

**Bluetooth** (藍芽)：是一種在短距離內(大約30英尺)不使用信號線或連接線而連接手機和耳機等設備的無線電技術。網站[www.bluetooth.com](http://www.bluetooth.com)中提供更多關於Bluetooth(藍芽)的資料。

**Bluetooth** (藍芽)應用規範：是Bluetooth(藍芽)設備與其他設備進行通訊的不同方法。Bluetooth(藍芽)手機支援耳機應用規範、免提應用規範，或者兩種應用規範均支援。要支援特定的應用規範，手機製造商必須在手機的軟體中加入特定的強制性功能。

**配對(Pairing)**：在兩個Bluetooth(藍芽)設備之間建立具有唯一性的加密鏈路，允許兩個設備相互通訊。Bluetooth(藍芽)設備必須相互配對才能工作。

**密碼(Passkey)或個人識別碼(PIN)**：是您在手機上輸入的代碼，作用是將手機與Jabra BT135配對。如果手機已經與耳機配對，手機和Jabra BT135就會相互識別並自動配合工作。

**待機(Standby)狀態**：Jabra BT135被動地等待來電的狀態。在手機上「結束」通話後，耳機即進入待機狀態。

## 简体中文

1. 致谢.....	22
2. 关于 Jabra BT135.....	22
3. 您的新耳机可以做什么.....	23
4. 操作入门.....	23
5. 给耳机充电.....	23
6. 打开和关闭耳机.....	24
7. 与手机对接.....	24
8. 以您喜欢的方式佩戴它.....	24
9. 如何执行下列操作.....	24
10. 指示灯的含义.....	25
11. 故障排除与常见问题解答.....	25
12. 需要更多幫助嗎?.....	26
13. 耳機保存.....	26
14. 保養.....	26
15. 證明和安全認證.....	27
16. 術語表.....	28

## 1. 致谢

感谢您购买 Jabra BT135 Bluetooth® 耳机。我们希望您能喜欢它！  
本说明手册可以帮助您学会并充分使用好您的耳机。

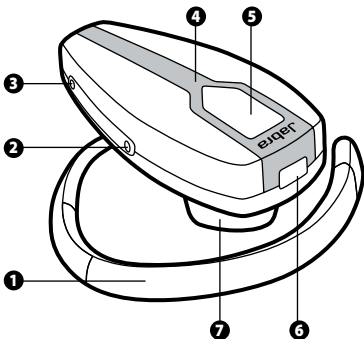
**切记：驾驶第一，电话第二！**

驾驶时使用手机会分散您的注意力，从而增大事故发生的可能性。如果须在特殊驾驶条件(例如天气糟糕、交通拥挤、车内载有小孩、路况不好等)下拨打或接听电话，请首先驶离马路并将车停好。另外，请尽量长话短说，并且不要记录或阅读文件。

务必保证安全驾驶并遵守当地法律。

## 2. 关于 Jabra BT135

- |         |  |
|---------|--|
| 1 可调整耳勾 | 5 指示灯(LED)  |
| 2 提高音量  | 接听/结束按钮  |
| 3 降低音量  | 6 充电插槽   |
| 4 搭扣式护罩 | 7 接收器  |



## 3. 您的新耳机可以做什么

Jabra BT135 可实现以下所有功能(取决于您的手机是否支持该功能)：

- 接听电话
- 结束通话
- 拒接来电\*
- 语音拨号\*
- 重拨上次拨出号码\*
- 呼叫等待\*
- 暂停通话\*
- 静音

\* 因手机而异

规格

- 通话时间长达 8 小时/待机时间长达 170 小时
- 可充电电池具有多种充电选择:交流电源、带 USB 线计算机或车用充电器(个人计算机USB接线车用充电器单独销售)
- 重量 14 克
- 工作范围可达 33 英尺(10 米)
- 耳机和免提蓝牙功能
- 蓝牙规范(请参见第 28 页的术语表)版本 2.0

## 4. 操作入门

Jabra BT135 操控简便。耳机“接听/结束”按钮的功能取决于您按住按钮的时间。

说明：	按住按钮的时间
轻按	短暂地按
按下	约:1 秒
按住	约:5 秒

## 5. 给耳机充电

请确保在开始使用之前，先将 Jabra BT135 耳机完全充电两个小时。将耳机连接到交流电源的充电插槽上。按照图 2 所示连接耳机。当指示灯(LED)稳定为蓝色时，表示您的耳机正在充电。当指示灯(LED)关闭时，表示耳机已充满电。(请按照图 2 中的步骤 1-2 进行操作)。

## GB 6. 打开和关闭耳机

- 请按下“接听/结束”按钮打开您的耳机。
- 请按住“接听/结束”按钮关闭您的耳机。

## CN 7. 与手机对接

使用 Jabra BT135 之前, 您需要将其对接到您的手机上。(请按照图 3 中的步骤 1-4 进行操作)。

### 1. 将耳机置于对接模式

- 确保关闭耳机。
- 按住“接听/结束”按钮  直到指示灯稳定为蓝色。

### 2. 设置蓝牙手机以“发现” Jabra BT135

依照手机的使用说明操作。通常首先进入手机的“设置”、“连接”或“蓝牙”菜单, 然后选择选项以“发现”或“添加”蓝牙设备。\*(参见图 3 中的典型手机示例)

### 3. 手机将发现 Jabra BT135

手机随后将询问是否需要与手机对接。按下手机上的“是”或“确定”接受对接, 再输入配对码或 PIN=0000(4 个零) 确认。手机将在对接完成时确认。如果对接失败, 请重复步骤 1 至 3。

## 8. 以您喜欢的方式佩戴它

Jabra BT135 可佩戴在您的右耳上。如果您喜欢戴于左耳, 请轻轻拉出耳勾, 将耳勾旋转 180 度后再插入。(请参见图 4)。耳机挂钩可调整, 令佩戴更舒适 —— 推动耳机背面边缘, 令佩戴更稳固。

可通过变换搭扣式护罩来个性化您的 Jabra BT135。要更换护罩, 请将护罩轻轻地从前端拉下来。然后将新护罩安装到充电插孔上方并插入。(请参见图 5)。

要获得最佳效果, 请将 Jabra BT135 和手机佩戴在身体同一侧或视线以内。一般来说, 耳机和手机之间没有障碍物时可获取更好效果。(请参见图 6)。

## 9. 如何执行下列操作...

### 接听电话

- 轻按耳机上的“接听/结束”按钮接听电话。

### 结束通话

- 轻按“接听/结束”按钮可结束当前通话。

### 拨打电话

- 当您用手机拨打电话时, 电话将根据手机设置) 自动转接到您的耳机上。如果您的手机不支持该功能, 则轻按 Jabra BT135 上的“接听/结束”按钮便可使用耳机接听电话。

### 拒接来电\*

- 当电话铃声响起时, 按下“接听/结束”按钮可拒接来电。根据您的手机设置, 来电将被引导至您的语音信箱或听到忙音。

### 激活语音拨号\*

- 轻按“接听/结束”按钮。为了获得最佳效果, 如果手机功能允许, 请通过耳机录制语音拨号标签。如果想了解有关此功能的更多信息, 请查阅您的手机用户手册。

### 重拨上次号码\*

- 按下“接听/结束”按钮。

### 调节声音和音量

- 按下“提高音量”或“降低音量”按钮(+ 或 -) 可调节音量。

### 呼叫等待和将通话置于等待状态\*

此功能允许您在通话时将来电置于等待状态, 接听另外一个来电。

- 按下“接听/结束”按钮一次可暂停当前通话, 并接听另一个来电。
- 按下“接听/结束”按钮可在两个通话之间切换。
- 轻按“接听/结束”按钮可结束当前通话。

\* 因手机而异

## 10. 指示灯的含义

您看到	这表示您的耳机
闪烁的蓝色指示灯	每秒闪一次: 正在通话中
闪烁的蓝色指示灯	每三秒闪一次: 处于待机模式
闪烁的蓝色指示灯	电池电量不足
稳定的蓝色指示灯	正在充电
稳定的蓝色指示灯	处于对接模式 - 请参见第 7 部分

## 11. 故障排除与常见问题解答

### 我听到嘟嘟杂音

为获得最佳音效, 请务必将耳机和手机佩戴在身体的同一侧。

### 我的耳机不发声

- 提高耳机音量。
- 确保耳机已与您的手机正确对接。
- 请确保您的手机与耳机已接通 - 如果通过手机“蓝牙”菜单或轻按“接听/结束”按钮也不能接通, 请按照对接步骤进行操作(请参见第 7 部分)。

### 连接有问题

您可能删除了手机上的耳机对接连接。请按照第 7 部分的对接说明进行操作。

Jabra BT135 可与其它蓝牙设备一起使用吗？

Jabra BT135 可与蓝牙耳机一起使用。它还可与兼容蓝牙版本 1.1, 1.2 或 2.0 及支持耳机和/或免提功能的其它蓝牙设备一起使用。

我无法使用拒接来电、暂停通话、重拨或语音拨号功能

这些功能取决于您的手机是否支持它们。详情请查阅您的手机使用手册。

## 12. 需要更多帮助吗？

1. 网址：[www.jabra.com](http://www.jabra.com)（提供最新支持信息和在线用户手册）

2. 请在星期一至星期五拨打免费电话免费电话号码：

澳大利亚：	1-800-083-140	(10:00 – 19:00)
中国：	800-858-0789	(08:00 – 19:00)
香港：	800-968-265	(08:00 – 17:00)
印度尼西亚：	001-803-852-7664	(08:00 – 17:00)
日本：	0034-800-400-594	(09:00 – 18:00)
马来西亚：	1800-812-160	(08:00 – 17:00)
新西兰：	0800-447-982	(12:00 – 21:00)
新加坡：	800-860-0019	(08:00 – 17:00)
台湾：	0080-186-3013	(08:00 – 19:00)
印度：	000-800-852-1185	(05:30 – 14:30)
菲律宾：	1800 765 8068	(08:00 – 17:00)

## 13. 耳机保存

将 Jabra BT135 在电源关闭状态下妥善存放。

避免存放在极端温度（45°C/113°F 包括阳光直射的地方，或者 -10°C/14°F 以下）中。否则会缩短电池的使用寿命并影响产品性能。高温也会损害产品性能。

如果沾染了水或其它液体，请将设备擦干，且不要残留水渍。

## 14. 保修

Jabra (GN Netcom) 保修自最初购买之日起壹年内，该产品在制造材料和工艺方面不存在缺陷。保修条件以及我们的保修责任如下：

- 保修仅适用于原始购买者。
- 要求提供您的收据或其它购买凭证副本。
- 如果序列号、生产日期或产品标签被撕下，或该产品曾被不当使用、错误安装、改装或由未经授权的第三方进行维修，则保修将自动失效。
- Jabra (GN Netcom) 产品的保修责任应仅限于产品的维修或更换，具体措施由 Jabra 自行决定。

- 任何 Jabra (GN Netcom) 产品的保修期限仅限于壹年（自所有部件的购买之日起算，包括连接线和连接器）。
- 属于正常磨损的有限寿命消耗性组件，例如麦克风防风罩、耳机垫、装饰漆、电池和其他附件将不在保修范围之内。
- Jabra (GN Netcom) 不对使用或滥用任何 Jabra (GN Netcom) 产品所产生的任何直接或间接损失承担责任。
- 该保修赋予您特定的权利，您也可拥有因地区而异的其他权利。
- 除非在用户手册中另有说明，否则用户不得在任何情况下对产品进行维修、调试或修理，无论产品是否处于保修期内。必须将产品送交购买地点、工厂或经授权的服务机构进行全部上述工作。
- Jabra (GN Netcom) 不会对发运过程中所产生的任何损失或损坏承担责任。任何由未经授权的第三方维修过的 Jabra (GN Netcom) 产品，其保修将自动失效。

## 15. 证明和安全性认证

中国：

符合《中华人民共和国无线电管理条例》的规定。

大韩民国：

通过了无线电通信研究工作实验室总部（信息与通信部）认证，符合信息与通信设备鉴定规则的规定。

台湾：

通过了电信总局（运输与通信部）批准。

新加坡：

通过了新加坡信息通讯发展署 (IDA) 批准，可在新加坡销售和使用的。

FCC

此设备符合 FCC 规则第 15 部分的规定。设备使用应遵守下面两种条件：(1) 此设备不会产生有害干扰，且 (2) 设备必须承受任何接收到的干扰，包括可能引起设备工作不正常的干扰。

CE

该产品贴有 CE 标志，符合欧盟委员会的 R & TTE Directive (99/5/EC) 条款的规定。

Bluetooth

Bluetooth®（蓝牙）：是一种在短距离内（大约 30 英尺）不使用信号线或连接线而连接手机和耳机等设备的无线电技术。网站 [www.Bluetooth.dk](http://www.Bluetooth.dk) 中提供更多关于 Bluetooth（蓝牙）的信息。



## 16. 術語表

**Bluetooth**（藍芽）：是一種在短距離內（大約30英尺）不使用信號線或連接線而連接手機和耳機等設備的無線電技術。網站[www.bluetooth.com](http://www.bluetooth.com)中提供更多關於Bluetooth（藍芽）的資料。

**Bluetooth**（藍牙）应用规范：是Bluetooth（藍牙）设备与其他设备进行通讯的不同方法。Bluetooth（藍牙）手机支持耳机应用规范、免提应用规范，或者两种应用规范均支持。要支持特定的应用规范，手机制造商必须在手机的软件中加入特定的强制性功能。

**配对(Pairing)**：在两个Bluetooth（藍牙）设备之间建立具有唯一性的加密链路，允许两个设备相互通讯。Bluetooth（藍牙）设备必须相互配对才能工作。

**密码(Passkey)或个人识别码(PIN)**：是您在手机上输入的代码，作用是手机与Jabra BT135配对。如果手机已经与耳机配对，手机和Jabra BT135就会相互识别并自动配合工作。

**待机(Standby)状态**：Jabra BT135被动地等待来电的状态。在手机上“结束”通话后，耳机即进入待机状态。

## 日本語

1. ありがとうございます.....	30
2. Jabra BT135 について.....	30
3. ヘッドセットの新機能.....	31
4. はじめに.....	31
5. ヘッドセットの充電.....	31
6. ヘッドセットをオン・オフにする.....	32
7. ご使用の電話とのペアリング.....	32
8. ヘッドセットを装着して使用する.....	32
9. 使用方法.....	32
10. 各ライトの意味.....	34
11. トラブルシューティングと Q&A 集.....	34
12. さらに詳しい説明が必要な場合.....	34
13. Jabra BT135の保管.....	35
14. 保証.....	35
15. 認定規格および安全認可.....	36
16. 用語集.....	37

## 1. ありがとうございます

Jabra BT135 Bluetooth®ヘッドセットをお買い上げいただきありがとうございます。当製品がお役に立てば幸いです。

この取扱説明書をお読みになることで、お客様のヘッドセットを最大限にご利用いただけます。

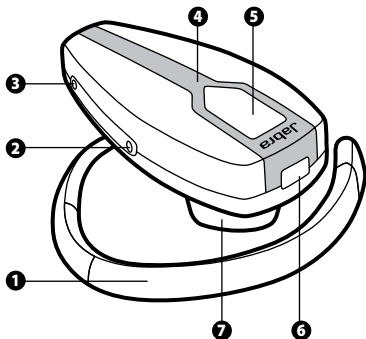
電話ではなく運転を最優先させることを忘れないでください!

運転中に携帯電話を使用すると、注意が散漫になり事故の危険性が増大します。運転状況（悪天候、交通渋滞、子供を乗せている場合、難しい合流点や操作など）によって必要な場合は、道路脇に車を寄せて停車してから携帯電話を使用してください。また、会話は手短かに済ませ、メモを取ったり書類を読んだりしないでください。

常に、安全運転を心がけ、現地の法律を遵守するようにしてください。

## 2. Jabra BT135 について

- |             |   |
|-------------|---|
| ① 調節可能な耳フック | ⑤ 表示灯 (LED)  |
| ② ボリューム・アップ | ⑥ 応答/終了ボタン  |
| ③ ボリューム・ダウン | ⑦ 充電用ソケット   |
| ④ スナップ式カバー  | ⑧ レシーバ  |



## 3. ヘッドセットの新機能

Jabra BT135 には、次のさまざまな機能があります（ご使用の電話の種類により、サポートされている機能は異なります）。

- 通話応答
- 通話終了
- 着信拒否\*
- 音声ダイヤル\*
- 最後にかけた番号への再ダイヤル\*
- キャッチホン機能\*
- 保留機能\*
- ミュート

\* 対応機種のみ

仕様

- 連続通話時間最大 8 時間 / 待ち受け時間最大 170 時間
- 充電可能バッテリー。AC 電源から、USB ケーブル経由の PC から、または車載充電器からの充電オプション付き (PC 用 USB ケーブル、車載充電器は別売)。
- 重量 14g
- 動作範囲は 10 メートルまで。
- ヘッドセットおよびハンズフリー Bluetooth プロファイル。
- Bluetooth 仕様 2.0 (用語集 37 ページを参照)

## 4. はじめに

Jabra BT135 の操作は簡単です。ヘッドセットにある応答/終了ボタンは、押す長さによってさまざまな機能を実行できます。

取扱説明:	押す長さ
軽くたたく	短く押す
押す	約 1 秒
押したままにする	約 5 秒間

## 5. ヘッドセットの充電


ご使用前に Jabra BT135 ヘッドセットが 2 時間フルに充電されていることを確認してください。電源ソケットから充電する場合は AC アダプターを使用します。図 2 にあるように、ヘッドセットを接続します。表示灯 (LED) が濃い青で点灯したら、ヘッドセットは充電中です。表示灯 (LED) が消えたら、充電が完了です。(図 2 のステップ 1~2 に従ってください)。

## 6. ヘッドセットをオン・オフにする

- ・ヘッドセットをオンにするには、応答/終了ボタンを押します。
- ・ヘッドセットをオフにするには、応答/終了ボタンをしばらく押したままにします。

## 7. ご使用の電話とのペアリング

Jabra BT135 をご使用になる前に、お手元の携帯電話とペアリングする必要があります。(図3のステップ1~4に従ってください)。

1. ヘッドセットをペアリング・モードにする
  - ・ヘッドセットがオフになっていることを確認します。
  - ・濃い青のライトが点灯するまで応答/終了ボタン  を押し続けます。
2. Bluetooth 電話が Jabra BT135 を探索するように設定する  
ご使用の携帯電話の取扱説明書にあるガイドに従ってください。通常は、ご使用の電話の「セットアップ」、「接続」または「Bluetooth」メニューに移動し、Bluetooth 対応機器を「探索」または「追加」するオプションを選択します。\*(図xで示している標準的な携帯電話の例を参照してください)
3. 携帯電話による Jabra BT135 の探索  
ペアリングするかどうかを尋ねる質問が表示されます。携帯電話で「はい」または「OK」を押して受け入れ、キーまたは PIN = 0000 (ゼロを4つ) を押して確認します。ペアリングが完了すると、携帯電話に確認のメッセージが表示されます。ペアリングがうまくいかなかった場合は、ステップ1~3を繰り返します。

## 8. ヘッドセットを装着して使用する

これで Jabra BT135 を右耳に装着する準備ができました。左耳に装着したい場合は、耳フックをそつと持ち上げ、180度回転させ、再び装着します。(図4参照)。耳フックは、耳によくフィットさせるための調節が可能です。耳フック後方の端部を締めつけるとよりしっかりとフィットします。

Jabra BT135 はスナップ式カバーを取り替えてパーソナライズできます。カバーを取り替えるには、ヘッドセットの正面でカバーをそつと持ち上げてください。新しいカバーを挿入するには、充電用ソケットの上に新しいカバーを装着します。(図5参照)。

最適な性能を実現するため、Jabra BT135 と携帯電話は、体の同じ側または視程範囲内に装着してください。一般的には、ヘッドセットと携帯電話の間に障害物がないほどよりよい性能を得られます。(図6参照)。

## 9. 使用方法

### 使用方法

- ・通話に応答するには、ヘッドセットにある応答/終了ボタンを軽く押します。

### 通話の終了

- ・現在アクティブな通話を終了するには、応答/終了ボタンを軽く押します。

### 電話をかける

- ・携帯電話から電話をかけると、通話は自動的にヘッドセットに転送されます(携帯電話側の設定によります)。ご使用の携帯電話でこの機能がサポートされていない場合、ヘッドセットで通話を受信するには、Jabra BT135 の応答/終了ボタンを軽く押します。

### 着信拒否\*

- ・着信を拒否するには、着信音が鳴ったときに応答/終了ボタンを押します。ご使用の携帯電話の設定により、発信者はボイス・メールに転送されるか、通話中の信号が聞こえるかのいずれかです。

### 音声ダイヤルを有効にする\*

- ・応答/終了ボタンを軽く押します。最良の結果を得るには、可能であればヘッドセットを通じて音声ダイヤル・タグを記録しておきます。この機能の使用に関して詳しくは、ご使用の携帯電話のユーザー・マニュアルを参照してください。

### 最後にかけた番号への再ダイヤル\*

- ・応答/終了ボタンを押します。

### 音質および音量の調整

- ・音量を調整するには、ボリューム・アップまたはボリューム・ダウン (+ または -) を押します。

### キャッチホンおよび通話の保留\*

この機能により、通話途中でその通話を保留にして、着信通話に応答できます。

- ・現在アクティブな通話を保留にしてキャッチホンに応答するには、応答/終了ボタンを1回押します。
- ・保留中の通話と途中で着信した通話との切り替えは、応答/終了ボタンを押します。
- ・現在の通話を終了するには、応答/終了ボタンを軽く押します。

\* 対応機種のみ

## 10. 各ライトの意味

ライトの色	ヘッドセットに関して示している内容
青いライトの点滅	1 秒おきの点滅:通話がアクティブ
青いライトの点滅	3 秒おきの点滅:スタンバイ・モード
青いライトの点滅	バッテリー・レベルが低くなっています。
青いライトの点灯	充電中です。
青いライトの点灯	ペアリング・モード — セクション 7 を参照してください。

## 11. トラブルシューティングと Q&A 集

カラカラという音がする  
最高の音質を得るには、体の同じ側にヘッドセットを携帯電話と装着してください。

ヘッドセットから何も聞こえない

- ・ヘッドセットのボリュームを上げてみてください。
- ・ヘッドセットと電話のペアリングが正しいか確認してください。
- ・電話がヘッドセットに接続されていることを確認します。接続されていない場合は、電話の「Bluetooth」メニューから、あるいは応答/終了ボタンを軽く押すことにより、ペアリング手順を行います（セクション7参照）。

携帯電話には示されないが、接続がうまくいかない

携帯電話のヘッドセットのペアリング接続が削除されている可能性があります。セクション7のペアリングの指示に従ってください。

Jabra BT135 はその他の Bluetooth 機器にも対応しているか

Jabra BT135 は Bluetooth 携帯電話と正しく機能するように設計されています。Bluetooth バージョン 1.1, 1.2, 2.0 に準拠し、ヘッドセットと（または）ハンズフリープロファイルをサポートする Bluetooth 対応機器にも対応しています。

着信拒否、保留、リダイヤルまたは音声ダイヤル機能が使えない

これらの機能を使用できるかどうかは、ご使用の電話がその機能をサポートしているかどうかによります。詳細については、ご使用の電話のマニュアルでご確認ください。

## 12. さらに詳しい説明が必要な場合

1. ウェブサイト: [www.Jabra.com](http://www.Jabra.com) (最新のサポート情報、オンラインユーザーマニュアル)

## 2. お問い合わせ (月曜～金曜)

通話料金無料 国際フリーダイヤル問い合わせ番号:		
オーストラリア:	1-800-083-140	(10:00 - 19:00)
中国:	800-858-0789	(08:00 - 19:00)
香港:	800-968-265	(08:00 - 17:00)
インドネシア:	001-803-852-7664	(08:00 - 17:00)
日本:	0034-800-400-594	(09:00 - 18:00)
マレーシア:	1800-812-160	(08:00 - 17:00)
ニュージーランド:	0800-447-982	(12:00 - 21:00)
シンガポール:	800-860-0019	(08:00 - 17:00)
台湾:	0080-186-3013	(08:00 - 19:00)
インド:	000-800-852-1185	(05:30 - 14:30)
フィリピン:	1800 765 8068	(08:00 - 17:00)

## 13. Jabra BT135 の保管

Jabra BT135 を保管する際は、必ず電源を切り安全な状態で保管して下さい。直射日光が当たるなどの極端な高温 (45°/113°F以上)、または極端な低温 (氷点下10°/14°F以下)になる場所での保管は避けて下さい。バッテリーの寿命を縮め、製品の性能に悪影響を及ぼす恐れがあります。高温それ自体も製品に悪影響を及ぼします。

水または液体により機器が濡れた場合は、水滴をよく拭き取ってください。

## 14. 保証

Jabra (GN Netcom) は本製品の購入日より1年間、材質品質および製造上のあらゆる欠陥 に対して本製品を保証いたします。保証条件および保証に関する弊社の責任限度は以下の通りです。

- ・保証は、当初購入者へのみ与えられます。
- ・レートのコピーまたはその他ご購入を証明するものが必要です。
- ・製品のシリアルナンバー、日付コードラベル、製品ラベルがない場合、または 製品 に外的衝撃が加えられたり、不適切な取り付け、改造、認可のない第三者による修理 が行われたりしている場合、保証は無効となります。
- ・Jabra(GN Netcom)製品に関する弊社の責任は、弊社独自の判断による本製品 の 修理または交換に限定されるものとします。
- ・Jabra(GN Netcom)製品に対するすべての黙示保証は、コードやコネクタを含む 全ての製品の購入日より1年間に限り有効です。
- ・マイクの前面窓、イヤクション、装飾、バッテリー、その他の付属品など、製品寿命が 限られている消耗部品については、保証対象外となります。
- ・Jabra(GN Netcom)製品を使用または誤使用することによって偶発的あるいは 必然的に発生した損害に対してJabra(GN Netcom)は一切責任を負いません。

- この保証は、本製品購入者に特定の権利を与えるものですが、国や地域によって異なる権利が与えられる場合があります。
- 本ユーザーマニュアルに指示されている場合を除いて、保証の有無に関わらず、ユーザーはいかなる場合でも本製品の保守、調整、修理を試みることは一切認められていません。これらの作業を行う場合は、必ず購入先、メーカー、当社が指定したサービス業者にご依頼ください。
- 製品の発送中に発生した損傷については、Jabra(GN Netcom)は一切責任を負いません。認可のない第三者によってJabra(GN Netcom)製品の修理が行われた場合、保証は一切無効となります。

## 15. 認定規格および安全認可

中国  
中国における無線規制の条項に従います。

大韓民国  
情報通信部電波研究所長による情報通信機器認証規制の条項の下、認証されています。

台湾  
交通部電信総局により認可されています。

シンガポール  
シンガポール情報通信開発庁 (IDA) により認可されています。

### FCC

本製品はFCC規則パート15に準拠しています。操作の際は下記の2つの条件に従ってください。(1)本装置は、有害な電波障害を発生してはなりません。(2)本装置は、望ましくない動作を発生させる恐れのある電波障害を含め、受信されるいかなる電波障害も受け入れられません。

### CE

本製品は無線機器および電気通信端末機器 (R&TTE) 指令 (99/5/EC) の規定に従ってCEマークを取得しています。

日本

TELEC (電波法38条の24第2項の規定に基づく認証) 取得済みです。

### Bluetooth

Bluetooth®はBluetooth SIG, INC.の商標であり、JABRAはライセンス契約のもとにこれを使用しています。他の商標、商標名は各権利者に帰属します。

## 16. 用語集

Bluetooth は、携帯電話機とヘッドセットのような機器間を10メートル (約30フィート) の近距離内において、ワイヤやコードを使わずに接続するために開発された無線技術です。詳しくは、<http://japanese.bluetooth.com> をご参照下さい。

Bluetooth プロファイルは、Bluetooth対応機器が他の機器と通信するためのプロトコルです。Bluetooth対応電話機はほとんどがヘッドセットプロファイルをサポートに対応していますが、ハンズフリープロファイル対応のものや、これら両方をサポートしているものもあります。特定のプロファイルをサポートするには、携帯電話機メーカーによって、携帯電話機のソフトウェアに特定の必須機能を実装する必要があります。

ペアリングとは、2台のBluetooth機能搭載機器間において、固有の暗号化されたリンクを確立し、相互の通信を可能にすることを指します。Bluetooth対応機器は、相互にペアリングしなければ機能しません。

パスキーまたはPINとは、携帯電話機をJabra BT135とペアリングするために電話に入力するシークレットコードです。お手持ちの携帯電話機をヘッドセットとすでにペアリングしている場合、携帯電話機とJabra BT135は相互に認識し、検出、認証のプロセスを再度行わなくても、自動的に通信が行えます。

待受モードとは、Jabra BT135が着信待ちの状態です。携帯電話機で通話電話を「切る終了」とすると、ヘッドセットは待受モードに入ります。

# 한국어

1. 감사합니다 .....	40	GB
2. Jabra BT135 정보 .....	40	CN
3. 새 헤드셋의 기능 .....	41	CN
4. 시작하기 .....	41	JA
5. 헤드셋 충전 .....	41	KO
6. 헤드셋 켜기와 끄기 .....	42	TH
7. 전화와 페어링하기 .....	42	MA
8. 자기 스타일에 맞게 헤드셋을 착용하십시오 .....	42	
9. 사용 방법 .....	42	
10. 표시등의 의미 .....	43	
11. 문제 해결 및 자주 묻는 질문 .....	44	
12. 더 도움이 필요하신지요? .....	44	
13. 헤드셋 보관 .....	45	
14. 품질 보증 .....	45	
15. 인증 및 안전 승인 .....	46	
16. 용어설명 .....	46	

## 1. 감사합니다

Jabra BT135 Bluetooth® 헤드셋을 이용해 주셔서 감사합니다. 모쪼록 즐겁게 이용하실 수 있기를 바랍니다!

이 사용 설명서는 헤드셋을 백분 활용할 수 있도록 사용 방법을 안내합니다.

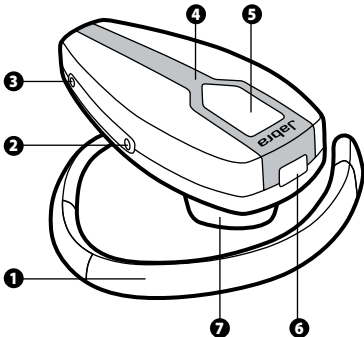
가장 중요한 것은 안전 운전이지 통화가 아님을 명심하십시오!

운전 중에 휴대폰을 이용하면 운전 집중력이 저하되어 사고가 발생할 가능성이 높아집니다. 악천후일 때, 교통량이 많을 때, 차량에 어린이가 있을 때 또는 도로 조건이 나쁠 때 등 운전 조건이 나쁠 경우에는 통화를 하기 전에 먼저 차량을 도로 한쪽에 주차하도록 하십시오. 또한 통화는 가급적 간단히 하도록 하고 메모를 하거나 책자를 읽거나 하지 마십시오.

안전하게 운전하고 현지 법규를 준수하십시오.

## 2. Jabra BT135 정보

- 1 조절가능한 귀걸이(Earhook)
- 2 볼륨 높이기
- 3 볼륨 낮추기
- 4 스냅형 커버
- 5 표시등(LED)
- 6 통화/종료 버튼
- 7 충전 소켓
- 8 리시버



## 3. 새 헤드셋의 기능

Jabra BT135 로 아래의 기능을 사용할 수 있습니다(휴대폰에서 기능을 지원하는지 여부에 따라 다름).

- 통화 응답
- 통화 종료
- 통화 거부\*
- 음성 다이얼\*
- 마지막 번호 재다이얼\*
- 통화 대기\*
- 통화 보류\*
- 송신을 차단

\* 휴대폰 모델에 따라 다름

사양

- 통화 시간 8시간/대기 시간 170시간
- AC 전원, PC와 연결된 USB 케이블 또는 차량 충전기로 충전할 수 있는 충전식 배터리(PC USB 케이블 및 차량 충전기 별도 판매)
- 중량: 14g
- 작동 거리: 최대 0미터(33피트)
- 헤드셋 및 핸드프리 Bluetooth 프로파일
- Bluetooth 사양(46페이지의 용어 설명 참조) 버전 2.0

## 4. 시작하기

Jabra BT135의 조작은 아주 간단합니다. 헤드셋의 통화/종료 버튼은 누르는 시간에 따라 그 기능이 달라집니다.

설명:	누르는 시간
가볍게 누르기	짧게 누르기
누르기	약 1초
길게 누르기	약 5초

## 5. 헤드셋 충전

사용하기 전에 반드시 Jabra BT135 헤드셋이 2시간 동안 충분히 충전되었는지 확인합니다. AC 어댑터를 사용하여 전원 소켓에서 충전할 수 있습니다. 그림 2와 같이 헤드셋을 연결합니다. 표시등(LED)이 파란색으로 점등되면 헤드셋이 충전되고 있는 것을 나타냅니다. 표시등(LED)이 소등되면 충전이 완료된 것입니다(그림 2의 1-2단계를 따르십시오).

## 6. 헤드셋 켜기와 끄기

- 통화/종료 버튼을 누르면 헤드셋이 켜집니다.
- 통화/종료 버튼을 계속 누르고 있으면 헤드셋이 꺼집니다.

## 7. 전화와 페어링하기

Jabra BT135를 사용하기 전에 먼저 휴대폰과 페어링시켜야 합니다(그림 3의 1-4단계를 따르십시오).

1. 헤드셋을 페어링 모드로 전환합니다.
  - 헤드셋이 꺼졌는지 확인합니다.
  - 파란색으로 점등될 때까지 통화/종료 버튼을 길게 누릅니다.
2. Bluetooth 휴대폰을 설정하여 Jabra BT135를 '감지' 하게 합니다. 휴대폰의 사용 설명서에 따라 조작합니다. 대개의 경우 휴대폰의 '설정', '연결' 또는 'Bluetooth' 메뉴로 이동하여 Bluetooth 장치를 '검색' 또는 '추가' 하는 옵션을 선택하면 됩니다.\* (그림 3에 나오는 일반 휴대폰의 예 참조)
3. 휴대폰에서 Jabra BT135를 감지할 것입니다. 이어서 휴대폰은 Jabra BT135과 페어링할지 묻습니다. 휴대폰의 'YES' 또는 'OK'를 눌러 허용한 다음 패스키 또는 PIN = 0000 (4개의 0)으로 승인합니다. 페어링이 완료되면 확인 메시지가 휴대폰에 표시됩니다. 페어링에 실패하는 경우 단계 1-3을 반복하십시오.

## 8. 자기 스타일에 맞게 헤드셋을 착용하십시오.

Jabra BT135는 바로 오른쪽 귀에 착용할 수 있습니다. 왼쪽 귀에 착용하고 싶으면 귀걸이를 조심스럽게 당겨내 180°로 회전한 다음 끼웁니다(그림 4 참조). 귀걸이는 귀에 잘 맞게 조절할 수 있습니다 - 귀걸이의 뒤쪽 모서리를 잡아당겨 안정감 있게 고정을 시킵니다.

스냅 온 커버를 교환하여 Jabra BT135를 차별화할 수 있습니다. 커버를 교환하려면 헤드셋의 앞면에서 커버를 가볍게 당겨 올립니다. 그런 다음 새 커버를 충전 소켓 위에 맞춰 삽입합니다(그림 5 참조).

최적의 성능을 유지할 수 있도록 Jabra BT135와 휴대폰을 몸의 같은 편 또는 서로 마주 볼 수 있는 위치에 착용하십시오. 일반적으로 헤드셋과 휴대폰 사이에 장애물이 없을 때 성능이 더욱 향상됩니다(그림 6 참조).

## 9. 사용 방법...

통화 응답

- 통화에 응답하려면 헤드셋의 통화/종료 버튼을 가볍게 누릅니다.

통화 종료

- 통화를 끊으려면 통화/종료 버튼을 가볍게 누릅니다.

전화 걸기

- 휴대폰에서 전화를 걸 경우 전화가 (휴대폰 설정에 따라) 자동적으로 헤드셋으로 돌려집니다. 휴대폰에 이러한 기능이 지원하지 않는 경우 헤드셋으로 전화를 받으려면 Jabra BT135의 통화/종료 버튼을 가볍게 누릅니다.

통화 거부\*

- 걸려 오는 통화를 거부하려면 전화벨이 울리는 동안 통화/종료 버튼을 누릅니다. 휴대폰의 설정에 따라 착신된 전화를 음성 사서함으로 돌리거나 통화 중 신호음을 내보냅니다.

음성 다이얼\*

- 통화/종료 버튼을 가볍게 누릅니다. 음성 다이얼 기능을 백분 활용하려면 헤드셋을 통해 음성 다이얼로 전화를 걸 수신자 이름을 기록하십시오(휴대폰이 이러한 기능을 지원하는 경우). 이 기능의 사용에 관한 자세한 내용은 휴대폰 사용 설명서를 참조하십시오.

마지막 번호 재다이얼\*

- 통화/종료 버튼을 누릅니다.

소리 및 볼륨 조정

- 볼륨을 조정하려면 볼륨 높이기 또는 낮추기(+ 또는 -)를 누릅니다.

통화 대기 및 통화 보류\*

이 기능은 통화 중에 다른 전화가 걸려오면 통화 중인 전화를 잠시 대기시키고 걸려온 전화를 받을 수 있도록 합니다.

- 통화/종료 버튼을 한번 눌러 통화 중인 전화를 대기시키고 걸려온 전화를 받습니다.
- 두 통화 사이를 전환하려면 통화/종료 버튼을 누릅니다.
- 현재의 통화를 끊으려면 통화/종료 버튼을 가볍게 누릅니다.

\*휴대폰 모델에 따라 다름

## 10. 표시등의 의미

표시등의 상태	헤드셋 상태의 의미
파란색 점멸	1초마다 점멸: 통화 중
파란색 점멸	3초마다 점멸: 대기 모드
파란색 점멸	배터리 부족
파란색 점등	충전 중
파란색 점등	페어링 모드 - 선택 7 참조



## 11. 문제 해결 및 자주 묻는 질문

탁탁 소리가 날 경우

최상의 음질을 즐기려면 휴대폰이 있는 신체의 동일한 쪽에 헤드폰을 착용하십시오.

헤드셋에서 아무 것도 들리지 않는 경우

- 헤드셋의 볼륨을 높여 봅니다.
- 헤드셋이 휴대폰과 페어링되었는지 확인합니다.
- 휴대폰이 헤드셋에 연결되어 있는지 확인하고, 휴대폰의 Bluetooth 메뉴에서 연결되지 않거나 통화/종료 버튼을 가볍게 눌러도 연결되지 않는 경우에는 페어링 절차를 따르십시오(색션 7 참조).

연결에 문제가 있는 경우

휴대폰에서 헤드셋 페어링 연결을 삭제했을 수 있습니다. 색션 7의 페어링 지침을 따르십시오.

Jabra BT135를 다른 Bluetooth 장비와 함께 사용할 수 있습니까?

Jabra BT135는 Bluetooth 휴대폰과 함께 사용할 수 있도록 설계되었습니다. 또한 Bluetooth 버전 1.1, 1.2 또는 2.0과 호환되고 헤드셋 및/또는 핸드프리 프로필을 지원하는 기타 Bluetooth 장비와 함께 사용할 수 있습니다.

통화 거부, 통화 보류, 재다이얼, 음성 다이얼 기능이 작동되지 않는 경우

이 기능은 사용하는 휴대폰의 본 기능 지원 여부에 좌우됩니다. 자세한 내용은 휴대폰의 사용 설명서를 참조하십시오.

## 12. 더 도움이 필요하신지요?

1. 웹 주소: [www.Jabra.com](http://www.Jabra.com) (최신 기술지원과 온라인 유저매뉴얼 제공)

2. 월요일부터 금요일까지 무료전화를 이용하실 수 있습니다.

무료전화번호:

호주:	1-800-083-140	(10:00 - 19:00)
중국:	800-858-0789	(08:00 - 19:00)
홍콩:	800-968-265	(08:00 - 17:00)
인도네시아:	001-803-852-7664	(08:00 - 17:00)
일본:	0034-800-400-594	(09:00 - 18:00)
말레이시아:	1800-812-160	(08:00 - 17:00)
뉴질랜드:	0800-447-982	(12:00 - 21:00)
싱가폴:	800-860-0019	(08:00 - 17:00)
대만:	0080-186-3013	(08:00 - 19:00)
인도:	000-800-852-1185	(05:30 - 14:30)
필리핀:	1800 765 8068	(08:00 - 17:00)

## 13. 헤드셋 보관

Jabra BT135은 항상 전원을 끄고 안전한 상태로 보관하십시오.

뜨거운 차 안이나 직사광선과 같은 - 높은 온도(60° C / 134° F 이상)에서 보관을 피하십시오 (고온에 보관하면 성능이 저하되고 배터리 수명이 짧아집니다).

물이나 기타 액체가 묻은 경우 장치에서 물기를 완전히 닦아내십시오.

## 14. 품질 보증

Jabra (GN Netcom)는 이 제품의 원 구매 일로부터 1년 동안 부품이나 제조 상의 모든 결함에 대하여 보증합니다. 이 보증의 조건과 보증하의 당사 책임사항은 다음과 같습니다.

- 품질 보증은 원 구매자에게만 제한됩니다.
- 귀하가 제공하는 영수증 혹은 기타 구매 증명서를 요구합니다.
- 일련번호, 날짜 코드 레이블 또는 제품 레이블이 제거되거나 제품이 못 사용되었거나, 부적절한 설치, 변경 또는 승인되지 않은 제3자의 수리로 인한 결함의 경우에는 품질보증은 무효가 됩니다.
- Jabra (GN Netcom)제품에 대한 책임은 당사의 재량에 따른 제품의 수리되는 교체로 제한됩니다.
- Jabra (GN Netcom)제품에 관한 어떠한 묵시적인 보증도 코드나 커넥터를모두 포함한 모든 부품에 대해 구매일로부터 1년 동안으로 제한합니다.
- 마이크 바랍막이, 귀 쿠션, 장식 마감재, 배터리 및 기타 액세서리 등 일 반적으로 닳거나 찢어질 수 있는 제한된 수명의 소비용품은 보증에서제외됩니다.
- Jabra (GN Netcom)은 어떠한Jabra (GN Netcom) 제품의 사용상의 잘못에따른 사고나 부수적인 손상에 대해 책임지지 않습니다.
- 이 품질 보증은 사용자에게 특정 권한을 제공하며 지역마다 다른 권리를 가질 수 있습니다.
- 사용 설명서에 별도로 지시되지 않은 한, 사용자는 어떠한 상황에서도품질 보증에 속하는지 여부에 관계없이 이 장치의 서비스, 조정 또는 수리를 시도해서는 안됩니다. 반드시 구매 지점, 공장 또는 이러한 작업업허가 받은 서비스 기관으로 반품해야 합니다.
- Jabra (GN Netcom)는 배송 중 발생하는 분실이나 손상에 대해서는 책임 지지 않습니다. 승인되지 않은 제3자가Jabra (GN Netcom)제품을 수리하면 품질보증이 무효가 됩니다.

## 15. 인증 및 안전 승인

중국:

Radio Regulations 의 규정을 준수함

한국:

정보통신부 전파 연구소의 정보통신기기 인증 규정에 따라 인증됨

대만:

The Directorate General of Telecommunications (Ministry of Transportation and Communications) 의 승인 획득

싱가포르:

싱가포르 국내 판매 및 사용에 관한 Infocomm Development Authority of Singapore (IDA) 의 승인 획득

FCC

이 장치는 FCC Rules 의 제15조를 준수합니다. 이 제품은 다음 두 조건에서 사용해야 합니다. (1) 이 장치는 유해한 간섭을 초래하지 않아야 합니다. (2) 이 장치는 원치 않은 작동할 수 있는 간섭을 포함하여 수신된 간섭을 승인해야 합니다.

CE

이 제품은 R & TTE Directive (99/5/EC) 의 조항에 따라 CE 표시가 되어 있습니다.

Bluetooth

Bluetooth® 단어 표시 및 로고는 Bluetooth SIG, Inc. 의 소유이며 GN Netcom 에서는 라이선스 하에서 이러한 표시를 사용하고 있습니다. 다른 상표나 제품 이름은 해당 소유주의 재산입니다.

## 16. 용어 설명

Bluetooth 란 단거리(약 30피트)에서 휴대폰과 헤드셋과 같은 기기들 무선으로 연결하기 위해 개발된 무선 기술입니다. 자세한 내용은 [www.bluetooth.com](http://www.bluetooth.com)에서 찾아볼 수 있습니다.

Bluetooth 프로파일은 Bluetooth 기기가 다른 기기들과 통신할 때 사용하는 프로토콜들입니다. Bluetooth 전화기는 다른 프로파일 세트들을 지원 합니다. - 대부분은 헤드셋 프로파일을 지원 하지만 일부는 핸드프리 프로파일을 지원하고 기타 일부는 둘 다 지원합니다. 특정한 프로필을 지원하기 위해서는 전화기 제조업체에서 전화기의 소프트웨어 내에 특정한 의무적인 기능을 넣어 주어야 합니다.

짜깁기는 두 개의 Bluetooth 사용 가능 기기가 서로 통신할 수 있도록 독특한 암호화된 통신 연결을 하는 것입니다. Bluetooth 기기는 서로 짝이되지 않으면 작동하지 않습니다.

암호 혹은 비밀번호 휴대폰 전화를 Jabra BT135 와 연결하기 위해 휴대 전화에 입력해야 하는 비밀 코드입니다. 휴대전화와 Jabra BT135는 서로 인식하게 되며 자동적으로 서로 작동하게 됩니다.

대기 모드는 Jabra BT135 이 수동적으로 전화를 기다리는 상태입니다. 휴대 전화에서 통화를 '종료' 하면 헤드셋은 대기 모드가 됩니다.

## ภาษาไทย

1. ขอบเขตคุณ	48
2. เกี่ยวกับ Jabra BT135	48
3. ความสามารถของชุดหูฟังใหม่	49
4. การเริ่มใช้งาน	49
5. ขาร์ชุดหูฟัง	49
6. เปิดและปิดชุดหูฟัง	50
7. จับคู่กับโทรศัพท์ของคุณ	50
8. สวมใส่ในแบบที่คุณชอบ	50
9. วิธีใช้	50
10. คำอธิบายแสงหลอดไฟ	51
11. การแก้ปัญหาและคำถามที่พบบ่อย	52
12. สอบถามข้อมูลเพิ่มเติม	52
13. การเก็บรักษาชุดหูฟัง	53
14. การรับประกัน	53
15. ในรับรองและการรับรองความปลอดภัย	54
16. คำอธิบายศัพท์	54

## 1. ขอขอบคุณ

ขอบคุณที่ซื้อชุดหูฟัง Jabra BT135 Bluetooth® เราหวังว่าคุณจะได้รับความเพลิดเพลินกับชุดหูฟังนี้!

คู่มือวิธีการใช้จะช่วยให้คุณเริ่มต้นและพร้อมสำหรับการใช้ประโยชน์สูงสุดจากชุดหูฟังของคุณ

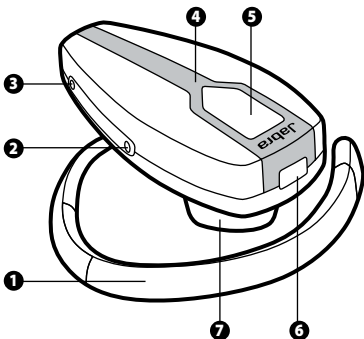
### โปรดจำไว้ว่า การขับรถยังมีความสำคัญลำดับแรก ไม่ใช่การใช้โทรศัพท์!

การใช้โทรศัพท์มือถือขณะขับรถจะทำให้คุณเสียสมาธิและเพิ่มความเสี่ยงในการเกิดอุบัติเหตุ หากสภาวะการขับรถไม่อำนวย (เช่น สภาพอากาศไม่ดี การจราจรหนาแน่น มีเด็กอยู่ในรถ หรือสภาพถนนขรุขระ) โปรดนำรถจอดข้างทางก่อนจะโทรออกหรือรับสาย นอกจากนี้ พยายามกระชับพสหนทาให้แน่นและอย่าดื่มน้ำหรืออ่านเอกสารใดๆ ไปพร้อมกัน

ขับรถโดยคำนึงถึงความปลอดภัยอยู่เสมอ และปฏิบัติตามกฎหมายท้องถิ่น

## 2. เกี่ยวกับ Jabra BT135

- 1 ที่คล้องหูแบบปรับได้
- 2 เพิ่มความดัง
- 3 ลดความดัง
- 4 แผ่นครอบแบบกดติด
- 5 ไฟสถานะ (LED)
- 6 ปุ่มรับ/วางสาย
- 7 ช่องเสียบสำหรับชาร์จ



## 3. ความสามารถของชุดหูฟังใหม่

ด้วย Jabra BT135 คุณสามารถทำสิ่งต่อไปนี้ได้ (ขึ้นอยู่กับโทรศัพท์ของคุณว่ารองรับฟังก์ชันหรือไม่):

- รับสายเรียกเข้า
- วางสาย
- ปฏิเสธสาย\*
- โทรออกด้วยเสียง\*
- โทรข้ามเบอร์ล่าสุด\*
- รับสายเรียกซ้อน\*
- ฟังก์ชัน\*
- ปิดเสียง

\* ขึ้นอยู่กับโทรศัพท์

คุณลักษณะเฉพาะ

- สนทนาได้นานถึง 8 ชั่วโมง/เปิดเครื่องรอสายได้นานถึง 170 ชั่วโมง
- แบตเตอรี่แบบชาร์จไฟได้ พร้อมอุปกรณ์เสริมสำหรับชาร์จไฟจากแหล่งจ่ายไฟ AC, จากคอมพิวเตอร์พีซีโดยผ่านสายเคเบิล USB หรือจากที่ชาร์จไฟในรถ (สาย USB สำหรับคอมพิวเตอร์พีซีและที่ชาร์จไฟในรถไม่รวมอยู่ในชุด)
- น้ำหนัก 14 กรัม
- รัศมีการทำงานกว้างถึง 10 เมตร (33 ฟุต)
- โปรไฟล์ชุดหูฟังและแฮนด์ฟรี Bluetooth
- คุณลักษณะเฉพาะของบลูทูธ (ดูคู่มือสินค้าหน้า 54) เวอร์ชัน 2.0

## 4. การเริ่มใช้งาน

Jabra BT135 เป็นอุปกรณ์ที่ง่ายต่อการใช้ ปุ่มรับ/วางสายที่ชุดหูฟังจะทำหน้าที่แตกต่างกันขึ้นอยู่กับระยะเวลาในการกดของคุณ

วิธีใช้:	ระยะเวลาการกด:
เคาะ	กดช่วงสั้นๆ
กด	ประมาณ: 1 วินาที
กดค้าง	ประมาณ: 5 วินาที

## 5. ชาร์จชุดหูฟัง

โปรดดูให้แน่ใจว่าชุดหูฟัง Jabra BT135 ของคุณชาร์จแบตเตอรี่ไว้เต็มแล้วเป็นเวลา 2 ชั่วโมงก่อนเริ่มใช้งาน ใช้แอดปเตอร์ AC สำหรับชาร์จจากปลั๊กไฟ เชื่อมต่อชุดหูฟังดังแสดงในภาพ 2 เมื่อไฟแสดงสถานะ (LED) เป็นสีน้ำเงิน หมายถึงชุดหูฟังกำลังชาร์จไฟ เมื่อไฟแสดงสถานะ (LED) ดับลง แสดงว่าชาร์จเต็มแล้ว (ทำตามขั้นตอน 1-2 ในรูปภาพ 2)


## 6. เปิดและปิดชุดหูฟัง

- กดปุ่มรับ/วางสายเพื่อเปิดชุดหูฟัง
- กดปุ่มรับ/วางสายค้างไว้เพื่อปิดชุดหูฟัง

## 7. จับคู่กับโทรศัพท์ของคุณ

ก่อนจะใช้ Jabra BT135 คุณจำเป็นต้องจับคู่อุปกรณ์นี้กับโทรศัพท์เคลื่อนที่ของคุณก่อน (ทำตามขั้นตอน 1-4 ในรูปภาพ 3)

### 1. ตั้งชุดหูฟังไว้ที่โหมดจับคู่อุปกรณ์

- ดูในแนวใจว่ามีชุดหูฟังแล้ว
- กดปุ่มรับ/วางสาย  ค้างไว้จนกระทั่งไฟสีน้ำเงินสว่างขึ้น

### 2. ตั้งโทรศัพท์ Bluetooth ของคุณให้ "ค้นหา" Jabra BT135

ปฏิบัติตามคู่มือคำแนะนำของโทรศัพท์ของคุณ โดยปกติแล้วจะเป็นการไปยังเมนู "ตั้งค่า", "เชื่อมต่อ" หรือ "Bluetooth" ในโทรศัพท์ของคุณ และเลือกตัวเลือก "ค้นหา" หรือ "เพิ่ม" อุปกรณ์ Bluetooth\* (ดูตัวอย่างจากโทรศัพท์เคลื่อนที่แบบทั่วไป ในภาพ 3)

### 3. โทรศัพท์ของคุณจะทำการค้นหา Jabra BT135

จากนั้นจะสอบถามว่าคุณต้องการจับคู่อุปกรณ์หรือไม่ ตอบรับด้วยการกด "ใช่" หรือ "ตกลง" ที่โทรศัพท์ และยืนยันด้วย รหัสผ่านหรือรหัส PIN = 0000 (เลขศูนย์ 4 ตัว) โทรศัพท์ของคุณจะยืนยันเมื่อการจับคู่อุปกรณ์เสร็จสมบูรณ์ ในกรณีที่มีการจับคู่ไม่สำเร็จ ให้ทำซ้ำตามขั้นตอน 1 ถึง 3

## 8. สวมใส่ในแบบที่เจ็บปวด

Jabra BT135 พร้อมสำหรับสวมเข้ากับหูของคุณ หากคุณถอดด้านซ้ายให้ดึงที่คล้องหูออกเบาๆ และหมุนที่คล้องหูเป็นวง 180° ก่อนจะสวมเข้าไป (ดูภาพ 4) ที่เกี่ยวข้องสามารถปรับให้พอดีกับหูได้โดยมีที่ขอบด้านหลังของที่เกี่ยวหูเพื่อให้อยึดเกี่ยวได้กระชับมากขึ้น

คุณสามารถปรับเปลี่ยน Jabra BT135 ให้ตรงกับความต้องการของคุณได้ โดยการเปลี่ยนแผ่นครอบแบบกดติด หากต้องการเปลี่ยนแผ่นครอบ ให้ค่อยๆ ดึงแผ่นครอบออกจากด้านหน้าของชุดหูฟัง ใส่แผ่นครอบใหม่เข้าไปโดยสวมเข้าด้านบนของเสียงสำหรับขารวจ (ดูภาพ 5)

เพื่อประสิทธิภาพการทำงานที่ดีที่สุด ให้สวม Jabra BT135 และถือโทรศัพท์เคลื่อนที่ของคุณที่ด้านเดียวกันหรือภายในแนวระดับสายตา โดยทั่วไป คุณจะได้รับประสิทธิภาพที่ดีกว่าเมื่อไม่มีการขัดขวางระหว่างชุดหูฟังและโทรศัพท์เคลื่อนที่ (ดูภาพ 6)

## 9. วิธีใช้...

### การรับสาย

- เคาะ ปุ่มรับ/วางสาย ที่ชุดหูฟังของคุณเพื่อรับสาย

### การวางสาย

- เคาะ ปุ่มรับ/วางสาย เพื่อวางสายที่ใช้อยู่

### การโทรออก

- เมื่อโทรออกจากโทรศัพท์เคลื่อนที่ เสียงจะโอนมาที่ชุดหูฟังของคุณโดยอัตโนมัติ (ขึ้นอยู่กับการตั้งค่าของโทรศัพท์) หากโทรศัพท์ของคุณไม่รองรับฟังก์ชันนี้ ให้เคาะปุ่มรับ/วางสายบน Jabra BT135 เพื่อรับสายทางชุดหูฟัง

### การปฏิเสธสาย\*

- กด ปุ่มรับ/วางสาย เมื่อเสียงกริ่งของโทรศัพท์ดังขึ้น เพื่อปฏิเสธสายเรียกเข้า บุคคลที่โทรติดต่อก่อนอาจจะถูกโอนสายไปยังศูนย์ขอความช่วยเหลือโดยอัตโนมัติโดยผู้ให้บริการ ตั้งค่าในโทรศัพท์ของคุณ

### เปิดใช้การโทรด้วยเสียง\*

- เคาะ ปุ่มรับ/วางสาย เพื่อผลลัพธ์ที่ดีที่สุด ให้บันทึกเสียงโทรออกผ่านทางชุดหูฟังของคุณถ้าโทรศัพท์ของคุณสามารถทำเช่นนั้นได้ โปรดอ่านคู่มือผู้ใช้ของโทรศัพท์สำหรับข้อมูลเพิ่มเติมเกี่ยวกับการใช้คุณสมบัตินี้

### กดหมายเลขซ้ำ\*

- กด ปุ่มรับ/วางสาย

### ปรับเสียงและความดัง

- กด เพิ่มหรือลดความดัง (+ หรือ -) เพื่อปรับระดับเสียง

### การรับสายเรียกซ้อนและการพักสาย\*

ช่วยให้คุณทำการพักสายที่สนทนาอยู่และรับสายที่เรียกซ้อนเข้ามา

- กด ปุ่มรับ/วางสายหนึ่งครั้งเพื่อทำการพักสายที่สนทนาอยู่และตอบรับสายที่เรียกซ้อนเข้ามา
- กด ปุ่มรับ/วางสายเพื่อสลับระหว่างทั้งสองสาย
- เคาะ ปุ่มรับ/วางสายเพื่อสิ้นสุดการสนทนานั้น

\* ขึ้นอยู่กับโทรศัพท์

## 10. คำอธิบายแสงหลอดไฟ

สีที่เห็น	สิ่งที่เกิดขึ้นกับชุดหูฟัง
ไฟสีน้ำเงินกะพริบ	กะพริบทุกวินาที: กำลังใช้สาย
ไฟสีน้ำเงินกะพริบ	กะพริบทุกสามวินาที: อยู่ในโหมดสแตนด์บาย
ไฟสีน้ำเงินกะพริบ	แบบเดอริไฟต์
ไฟสีน้ำเงินเข้ม	กำลังชาร์จ
ไฟสีน้ำเงินเข้ม	อยู่ในโหมดจับคู่อุปกรณ์ - ตุลาคมที่ 7

## 11. การแก้ปัญหาและคำถามที่พบบ่อย

ฉันได้ยินเสียงรบกวน

เพื่อให้ได้คุณภาพเสียงที่ดีที่สุด ควรสวมชุดหูฟังที่ด้านเดียวกับด้านที่ถือโทรศัพท์มือถือของคุณทุกครั้ง

### ฉันไม่ได้ยินอะไรในชุดหูฟังเลย

- เพิ่มระดับเสียงในชุดหูฟัง
- ดูให้แน่ใจว่าชุดหูฟังนั้นจับคู่กับโทรศัพท์แล้ว
- ดูให้แน่ใจว่าโทรศัพท์เชื่อมต่อกับชุดหูฟังแล้ว ถ้ายังไม่ได้เชื่อมต่อทั้งกับเมนูบลูทูธของโทรศัพท์ หรือโดยการแตะปุ่มรับ/วางสาย ให้ทำตามขั้นตอนการจับคู่อุปกรณ์ (ดูส่วนที่ 7)

### ฉันมีปัญหาในการเชื่อมต่อ

คุณอาจลองการเชื่อมต่อการจับคู่ชุดหูฟังในโทรศัพท์ของคุณออกไปแล้วทำตามคำแนะนำการจับคู่อุปกรณ์ในส่วนที่ 7

Jabra BT135 สามารถใช้งานร่วมกับอุปกรณ์บลูทูธแบบอื่นได้หรือไม่หรือ Jabra BT135 ออกแบบมาเพื่อใช้ทำงานร่วมกับโทรศัพท์เคลื่อนที่แบบมีฟังก์ชันบลูทูธ นอกจากนี้ยังสามารถทำงานร่วมกับอุปกรณ์บลูทูธแบบอื่นที่เข้ากันได้กับบลูทูธเวอร์ชัน 1.1, 1.2 หรือ 2.0 และรองรับชุดหูฟังและ/หรือโปรไฟล์แบบแอสแตร์พี

### ฉันไม่สามารถใช้การปฏิเสธรายเรียกเข้า, การพักสาย, การโทรซ้ำ หรือการโทรออกด้วยเสียงได้

ฟังก์ชันเหล่านี้ขึ้นอยู่กับเครื่องโทรศัพท์ของคุณอาจรองรับฟังก์ชันเหล่านี้หรือไม่ กรุณาตรวจสอบและยึดตามคู่มือการใช้งานโทรศัพท์ของคุณ

## 12. สอบถามข้อมูลเพิ่มเติม?

1. เว็บไซต์: [www.Jabra.com](http://www.Jabra.com) (สำหรับข้อมูลสนับสนุนล่าสุดและคู่มือแบบออนไลน์สำหรับผู้ใช้)
2. โปรดติดต่อหมายเลขโทรศัพท์ในวันจันทร์ถึงศุกร์

### หมายเลขโทรศัพท์

ออสเตรเลีย:	1-800-083-140	(10:00 – 19:00)
จีน:	800-858-0789	(08:00 – 19:00)
ฮ่องกง:	800-968-265	(08:00 – 17:00)
อินโดนีเซีย:	001-803-852-7664	(08:00 – 17:00)
ญี่ปุ่น:	0034-800-400-594	(09:00 – 18:00)
มาเลเซีย:	1800-812-160	(08:00 – 17:00)
นิวซีแลนด์:	0800-447-982	(12:00 – 21:00)
สิงคโปร์:	800-860-0019	(08:00 – 17:00)
ไต้หวัน:	0080-186-3013	(08:00 – 19:00)
อินเดีย:	000-800-852-1185	(05:30 – 14:30)
ฟิลิปปินส์:	1800 765 8068	(08:00 – 17:00)

## 13. การเก็บรักษาชุดหูฟัง

เก็บ Jabra BT135 โดยปิดเครื่องและเก็บในที่ที่ปลอดภัยเสมอ

หลีกเลี่ยงการเก็บไว้ในที่ที่มีอุณหภูมิสูง (มากกว่า 45 องศาเซลเซียส/113 องศาฟาเรนไฮต์) เพราะจะทำให้ประสิทธิภาพในการทำงานลดลงและอายุการใช้งานแบตเตอรี่ อุณหภูมิสูงจะลดประสิทธิภาพการทำงานของอุปกรณ์หากเทียบน้ำหนักหรือของเหลวอื่น ควรขีดอุปกรณ์ให้แห้งสนิท

## 14. การรับประกัน

Jabra (GN Netcom) ขอรับประกันว่าผลิตภัณฑ์นี้ปราศจากข้อบกพร่องทั้งในด้านวัสดุและคุณภาพเป็นระยะเวลาหนึ่งนับจากวันที่ซื้อ เงื่อนไขของการรับประกันนี้และควมรับผิดชอบของเราภายใต้การรับประกันนี้มีดังต่อไปนี้:

- การรับประกันจำกัดอายุเพียงผู้ซื้อดั้งเดิม
- ต้องเก็บสำเนาใบเสร็จรับเงินหรือหลักฐานจัดซื้ออื่น ๆ
- การรับประกันถือเป็นโมฆะหากหมายเลขเครื่อง ฉลากรหัสวันที่ และหรือฉลากผลิตภัณฑ์ถูก ดึงออก หรือหากมีการใช้ผลิตภัณฑ์อย่างไม่ดีวิธี มีการดัดตั้งไม่เหมาะสม มีการดัดแปลง แก้ไข หรือซ่อมแซมโดยบุคคลที่สามซึ่งไม่ได้รับอนุญาต
- ความรับผิดชอบต่อผลิตภัณฑ์ของ Jabra (GN Netcom) จะจำกัดไว้เพียงการซ่อมแซม หรือการเปลี่ยนผลิตภัณฑ์ตามแต่ละทาง Jabra จะพิจารณาเห็นสมควรเพียงผู้เดียว
- การรับประกันผลิตภัณฑ์ Jabra (GN Netcom) โดยนัยจะจำกัดเพียงหนึ่งปีนับจากวันที่ซื้อตัวเครื่องทุกส่วนรวมถึงสายไฟและตัวเชื่อมต่อด้วย
- ข้อยกเว้นจากการรับประกันคือส่วนประกอบที่ใช้ใช้ซึ่งมีอายุการใช้งานจำกัดซึ่งเป็นไปตาม การเสื่อมสภาพทั่วไป เช่น ที่หม้อไมโครโฟน ที่หม้อหูฟัง ส่วนระดับตักแดง แบตเตอรี่ และอุปกรณ์เสริมอื่น ๆ
- Jabra (GN Netcom) จะไม่รับผิดชอบต่อความเสียหายที่เกิดจากอุบัติเหตุ หรือเกิดสืบเนื่องมาจากการใช้งาน หรือการใช้งานผลิตภัณฑ์ Jabra (GN Netcom) แบบผิดๆ
- การรับประกันนี้จะไม่ลิดสิทธิ์เฉพาะอย่างเท่านั้น และอาจได้สิทธิ์อื่นเพิ่มเติมซึ่งจะแตกต่างกัน ไปในแต่ละประเทศ
- สิ่งที่อยู่นอกเหนือไปจากที่กล่าวถึงในคู่มือการใช้งานฉบับนี้ ไม่ว่าจะอยู่ในสถานการณ์ใดก็ตาม ผู้ใช้จะต้องไม่พยายามให้บริการ การดัดแปลงแก้ไข หรือการซ่อมแซมเครื่องนี้ ด้วยตัวเองไม่ว่าจะอยู่ในหรือนอกเหนือจากการรับประกัน ผู้ใช้ต้องส่งเครื่องกลับคืนมายังแหล่งที่ซื้อ โรงงาน หรือตัวแทนผู้ให้บริการที่ได้รับอนุญาตเพื่อปฏิบัติงานดังกล่าวทั้งหมด
- Jabra (GN Netcom) จะไม่รับผิดชอบต่อการสูญหายหรือความเสียหายที่เกิดขึ้นระหว่างการขนส่ง งานเกี่ยวกับการซ่อมแซมผลิตภัณฑ์ Jabra (GN Netcom) โดยบุคคลที่สามซึ่ง ไม่ได้รับอนุญาตจะทำให้การรับประกันนี้เป็นโมฆะ

## 15. ใบรับรองและการรับรองความปลอดภัย

จีน:  
ปฏิบัติตามบทบัญญัติในกฎระเบียบเกี่ยวกับวิทยุของจีน

**สาธารณรัฐเกาหลี:**

ได้รับการรับรองตามทบทวนผลิตภัณฑ์ของข้อกำหนดในการรับรองข้อมูลสารสนเทศและเครื่องมือสื่อสาร (Regulations on Certification of Information and Communication Equipment) จากผู้อำนวยการศูนย์ปฏิบัติการค้นคว้าวิจัยทางด้านวิทยุ (กระทรวงข้อมูลสารสนเทศและกลสื่อสาร)

**ไต้หวัน:**

ได้รับการรับรองจากผู้อำนวยการด้านการโทรคมนาคม (กระทรวงคมนาคมและการสื่อสาร)

**สิงคโปร์:**

ได้รับการรับรองจาก Infocomm Development Authority of Singapore (IDA) สำหรับการซื้อขายและการใช้ในสิงคโปร์

**FCC**

อุปกรณ์นี้มีคุณสมบัติสอดคล้องกับส่วนที่ 15 ของกฎ FCC การใช้งานจะเป็นไปตามเงื่อนไข สองประการต่อไปนี้ คือ (1) อุปกรณ์นี้ต้องไม่ก่อให้เกิดคลื่นรบกวนที่เป็นอันตราย และ (2) อุปกรณ์นี้ต้องยอมรับคลื่นรบกวนที่ได้รับรวมถึงคลื่นรบกวนที่อาจเป็นต้นเหตุของการทำงานที่ไม่พึงปรารถนาด้วย

**CE**

ผลิตภัณฑ์นี้มีเครื่องหมาย CE เพื่อให้เป็นไปตามทบทวนผลิตภัณฑ์ของ R&TTE Directive (99/5/EC)

**Bluetooth**

Bluetooth SIG, Inc. เป็นเจ้าของเครื่องหมายตัวอักษรและโลโก้ Bluetooth (Bluetooth®) และ การใช้เครื่องหมายดังกล่าวโดย GN Netcom เป็นไปตามขออนุญาตการใช้สิทธิ์เครื่องหมายการค้าและชื่อการค้าอื่นๆจะเป็นของเจ้าของตามลำดับ

## 16. คำอธิบายศัพท์

**Bluetooth** เป็นเทคโนโลยีด้านวิทยุที่พัฒนาขึ้นเพื่อเชื่อมต่ออุปกรณ์ต่างๆ เช่น โทรศัพท์มือถือและชุดหูฟัง โดยปราศจากเส้นลวดหรือสายไฟในระยะทางสั้นๆ (ประมาณ 30 ฟุต) อ่านข้อมูลเพิ่มเติมได้ที่ [www.bluetooth.com](http://www.bluetooth.com)

**โทรไฟล์ Bluetooth** เป็นวิธีการที่แตกต่างออกไปในการสื่อสารของอุปกรณ์ Bluetooth กับอุปกรณ์อื่น ๆ โทรศัพท์ที่มี Bluetooth จะรองรับโทรไฟล์ชุดหูฟัง โทรไฟล์แอสแตร์ หรือรับได้ทั้งสองอย่าง ในการรองรับเพียงไฟล์ใดเพียงอย่างเดียว ผู้ผลิตโทรศัพท์ต้องชี้

คุณลักษณะบังคับบางอย่างภายในซอฟต์แวร์โทรศัพท์

**การจับคู่** สร้างตัวเชื่อมโยงการติดต่อสื่อสารระหว่างอุปกรณ์ Bluetooth ทั้งสองอย่างและทำให้สื่อสารไปมาระหว่างกันได้ อุปกรณ์ Bluetooth จะไม่ทำงานถ้าไม่ได้จับคู่อุปกรณ์ทั้งสองก่อน

**รหัสผ่านหรือ PIN** เป็นรหัสลับที่ต้องป้อนเข้าไปในโทรศัพท์มือถือเพื่อจับคู่กับ Jabra BT135 จะทำให้โทรศัพท์และชุดหูฟัง Jabra BT135 จับกันได้และจะทำงานร่วมกันโดยอัตโนมัติ

**โหมดเตรียมพร้อม** คือช่วงที่ Jabra BT135 กำลังรอสายโทรเข้า เมื่อท่าน "วาง" สายโทรศัพท์มือถือ ชุดหูฟังจะเปลี่ยนเป็นโหมดเตรียมพร้อม

# Bahasa Malaysia

1. Terima kasih .....	58	GB
2. Mengenai Jabra BT135 anda .....	58	CN
3. Apa yang boleh dilakukan oleh set kepala baru anda .....	59	JA
4. Bermula .....	59	KO
5. Cas set kepala anda .....	59	TH
6. Menghidupkan dan mematikan set kepala anda .....	60	MA
7. Berpasangan dengan telefon anda .....	60	
8. Pakailah sebagaimana yang anda suka .....	60	
9. Cara untuk .....	61	
10. Apa yang dimaksudkan oleh lampu-lampu berikut .....	62	
11. Penyelesaian masalah & Soalan lazim (FAQ) .....	62	
12. Perlukan bantuan lanjut? .....	63	
13. Menjaga set kepala anda .....	63	
14. Waranti .....	63	
15. Kelulusan pengiktirafan dan keselamatan .....	64	
16. Glosari .....	65	

## 1. Terima kasih

Terima kasih kerana membeli Set Kepala Bluetooth Jabra BT135. Kami berharap anda akan menikmatinya!

Manual arahan ini akan membantu anda untuk bermula dan bersedia untuk memaksimumkan penggunaan set kepala anda.

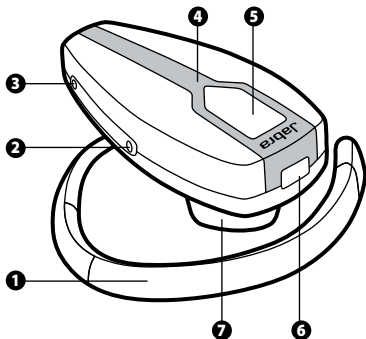
### Ingatlah, dahulukan pemanduan, bukan panggilan!

Menggunakan telefon bimbit ketika memandu boleh mengganggu perhatian anda dan meningkatkan kemungkinan berlakunya kemalangan. Jika keadaan pemanduan amat mendesak (seperti cuaca buruk, kesesakan lalu lintas, kehadiran kanak-kanak di dalam kereta, keadaan jalan raya yang sukar), hentikan kereta di bahagian tepi jalan sebelum membuat atau menjawab panggilan. Selain itu, cuba pendekkan perbualan dan jangan ambil nota atau membaca dokumen.

**Sentiasa memandu dengan selamat dan patuhi undang-undang setempat.**

## 2. Mengenai Jabra BT135 anda

- |                               |   |
|-------------------------------|---|
| 1 Cangkuk telinga boleh laras | 5 Lampu penunjuk (LED) Butang jawab/tamat |
| 2 Tambahkan kelantangan       | 6 Soket pengecasan                        |
| 3 Kurangkan kelantangan       | 7 Penerima                                |
| 4 Penutup ketap               |   |



## 3. Apa yang boleh dilakukan oleh set kepala baru anda

**Jabra BT135 anda membenarkan anda melakukan ini semua (Bergantung pada sama ada telefon anda menyokong fungsi tersebut):**

- Menjawab panggilan
- Menamatkan panggilan
- Menolak panggilan\*
- Dailan suara\*
- Dailan nombor terakhir\*
- Panggilan menunggu\*
- Menunda panggilan\*
- Senyapkan

\* Bergantung pada telefon

### Spesifikasi

- Masa bercakap sehingga 8 jam/masa tunggu sedia sehingga 170 jam
- Bateri boleh cas semula dengan opsyen untuk mengecap daripada bekalan kuasa AC, PC melalui kabel USB atau pengecas kereta (Kabel USB PC dan pengecas kereta dijual secara berasingan)
- Berat 14g
- Jarak pengoperasian sehingga 10 meter (33 kaki)
- Profil set kepala dan Bluetooth bebas tangan
- Spesifikasi Bluetooth (*lihat glosari halaman 65*) versi 2.0

## 4. Bermula

Jabra BT135 mudah untuk dikendalikan. Butang jawab/tamat yang ada pada set kepala menjalankan fungsi-fungsi yang berlainan bergantung pada lama masanya anda menekan butang tersebut.

Arahan:	Tempoh tekanan
Ketik	Tekan sekejap
Tekan	Anggaran: 1 saat
Tekan dan tahan	Anggaran: 5 saat

## 5. Cas set kepala anda

Pastikan bahawa set kepala Jabra BT135 anda dicas sepenuhnya selama 2 jam sebelum anda mula menggunakannya. Gunakan penyesuai AC untuk mengecap dari soket kuasa. Sambungkan set kepala anda seperti yang ditunjukkan dalam rajah 2. Apabila lampu penunjuk (LED) berwarna biru terang, set kepala anda sedang mengecap. Apabila lampu penunjuk (LED) terpadam, ia telah dicas sepenuhnya. (*Ikuti langkah 1-2 dalam rajah 2*).




## 6. Menghidupkan dan mematikan set kepala anda

- Tekan butang jawab/tamat untuk menghidupkan set kepala anda.
- Tekan dan tahan butang jawab/tamat untuk mematikan set kepala anda.

## 7. Berpasangan dengan telefon anda

Sebelum anda menggunakan Jabra BT135 anda, anda perlu memasangkannya dengan telefon bimbit anda. (Ikuti langkah 1-4 dalam rajah 3).

### 1. Letakkan set kepala dalam mod berpasangan

- Pastikan set kepala dimatikan.
- Tekan dan tahan butang jawab/tamat  sehingga lampu biru terang menyala.

### 2. Tetapkan telefon Bluetooth anda untuk 'menemui' Jabra BT135

Ikuti panduan arahan telefon anda. Biasanya, ini bererti pergi ke menu 'persediaan', 'sambung', atau 'Bluetooth' yang ada pada telefon anda dan memilih opsiyen untuk 'mengenal' atau 'menambah' peranti Bluetooth.\*  
*(Lihat contoh daripada telefon bimbit biasa dalam rajah 3)*

### 3. Telefon anda akan mencari Jabra BT135

Telefon anda akan bertanya sama ada anda hendak berpasangan dengannya. Terima dengan menekan 'Ya' atau 'OK' pada telefon dan sahkan dengan kunci laluan atau PIN = 0000 (4 sifar). Telefon anda akan memberi pengesahan apabila proses berpasangan telah selesai. Jika berpasangan tidak berjaya, ulang langkah 1 hingga 3.

## 8. Pakailah sebagaimana yang anda suka

Jabra BT135 sedia untuk dipakai di telinga kanan anda. Jika anda lebih suka memakainya di sebelah kiri, secara perlahan-lahan tarik keluar cangkuk telinga, putarkan cangkuk telinga sebanyak 180° dan masukkan. *(Lihat rajah 4)*. Cangkuk telinga boleh dilaras untuk padanan lebih selesa pada telinga - tekan sisi di bahagian belakangnya untuk padanan yang lebih selesa.

Jabra BT135 anda boleh diperibadikan dengan menukar penutup ketap. Untuk menukar penutup, secara perlahan-lahan tarik keluar penutup dari bahagian depan set kepala. Masukkan penutup baru dengan memasangnya di atas soket pengecasan. *(Lihat rajah 5)*.

Untuk prestasi optimum, pakailah BT135 dan telefon bimbit anda di bahagian badan yang sama atau dalam garis penglihatan. Pada umumnya, anda akan mendapat prestasi yang lebih baik apabila tiada halangan di antara set kepala dan telefon bimbit anda. *(Lihat rajah 6)*.

## 9. Cara untuk...

### Menjawab panggilan

- **Ketik** butang jawab/tamat pada set kepala untuk menjawab panggilan.

### Menamatkan panggilan

- **Ketik** butang jawab/tamat untuk menamatkan panggilan aktif.

### Membuat panggilan

- Apabila anda membuat panggilan dari telefon bimbit anda, panggilan tersebut akan (tertakluk kepada tetapan telefon) akan berpindah secara automatik ke set kepala anda. Jika telefon anda tidak menyokong fungsi ini, ketik pada butang jawab/tamat pada Jabra BT135 untuk menerima panggilan dalam set kepala.

### Menolak panggilan\*

- **Tekan** butang jawab/tamat apabila telefon berdering untuk menolak panggilan masuk. Bergantung pada tetapan telefon anda, orang yang memanggil anda sama ada akan dimajukan ke mel suara anda atau mendengar isyarat sibuk.

### Mengaktifkan dailan suara\*

- **Ketik** butang jawab/tamat. Untuk hasil yang terbaik, rakam teg dailan suara melalui set kepala anda jika telefon tersebut membenarkan anda melakukan sedemikian. Sila rujuk manual pengguna telefon anda untuk maklumat lanjut tentang penggunaan ciri ini.

### Mendail semula nombor terakhir\*

- **Tekan** butang jawab/tamat.

### Melaraskan bunyi dan kelantangan

- **Tekan** tambahan atau kurangkan kelantangan (+ atau -) untuk melaraskan kelantangan.

### Panggilan menunggu dan menunda panggilan\*

Ini membolehkan anda menunda panggilan ketika dalam perbualan dan menjawab panggilan menunggu.

- **Tekan** butang jawab/tamat sekali untuk menunda panggilan aktif dan menjawab panggilan menunggu.
- **Tekan** butang jawab/tamat untuk bertukar antara kedua-dua panggilan.
- **Ketik** butang jawab/tamat untuk menamatkan perbualan yang aktif.

\* Bergantung pada telefon

## 10. Apa yang dimaksudkan oleh lampu-lampu berikut

Apa yang anda lihat	Apa ertinya ini mengenai set kepala anda
Lampu biru berkelip	Berkelip setiap saat: aktif dalam panggilan
Lampu biru berkelip	Berkelip setiap tiga saat: dalam mod tunggu sedia
Lampu biru berkelip	Kuasa bateri semakin rendah
Lampu biru terang	Mengecap
Lampu biru terang	Dalam mod berpasangan – lihat bahagian 7

## 11. Penyelesaian masalah & Soalan lazim (FAQ)

### Saya terdengar bunyi gemeresik

Untuk kualiti audio yang terbaik, sentiasa pakai set kepala di bahagian badan yang sama dengan telefon bimbit anda.

### Saya tidak dapat mendengar apa-apa di set kepala saya

- Tambahkan kelantangan pada set kepala.
- Pastikan bahawa set kepala berpasangan dengan telefon.
- Pastikan bahawa telefon bersambung dengan set kepala – jika ia tidak bersambung, sambungkan sama ada dari menu Bluetooth telefon atau dengan mengetik butang jawab/tamat, ikuti prosedur berpasangan (*Lihat bahagian 7*).

### Saya menghadapi masalah sambungan

Anda mungkin telah terpadam sambungan berpasangan set kepala anda dan dalam telefon bimbit anda. Ikuti arahan berpasangan dalam bahagian 7.

### Adakah Jabra BT135 dapat berfungsi dengan peralatan Bluetooth yang lain?

Jabra BT135 telah direka bentuk untuk berfungsi dengan telefon bimbit Bluetooth. Ia juga boleh berfungsi dengan peranti Bluetooth lain yang serasi dengan Bluetooth versi 1.1, 1.2 atau 2.0 dan menyokong set kepala dan/atau profil bebas tangan.

### Saya tidak dapat menggunakan Tolak panggilan, tunda panggilan, dial semula atau dailan suara

Fungsi-fungsi tersebut bergantung pada sokongan telefon anda. Sila semak manual telefon anda untuk butiran lanjut

## 12. Perlukan bantuan lanjut?

1. Web: [www.Jabra.com](http://www.Jabra.com) (untuk maklumat sokongan dan Manual Pengguna dalam talian terkini)
2. Telefon bebas tol Isnin hingga Jumaat

### Nombor Bebas Tol:

Australia:	1-800-083-140	(10:00 – 19:00)
China:	800-858-0789	(08:00 – 19:00)
Hong Kong:	800-968-265	(08:00 – 17:00)
Indonesia:	001-803-852-7664	(08:00 – 17:00)
Jepun:	0034-800-400-594	(09:00 – 18:00)
Malaysia:	1800-812-160	(08:00 – 17:00)
New Zealand:	0800-447-982	(12:00 – 21:00)
Singapura:	800-860-0019	(08:00 – 17:00)
Taiwan:	0080-186-3013	(08:00 – 19:00)
India:	000-800-852-1185	(05:30 – 14:30)
Filipina:	1800 765 8068	(08:00 – 17:00)

## 13. Menjaga set kepala anda

Sentiasa simpan Jabra BT135 dengan kuasanya dimatikan dan dilindungi dengan selamat.

Elakkan disimpan pada suhu yang melampau (melebihi 45°C/113°F – termasuk sinaran langsung matahari – atau di bawah -10°C/14°F). Ini boleh memendekkan hayat bateri dan mungkin menjejaskan pengoperasiannya. Suhu tinggi mungkin boleh juga menurunkan ?? prestasinya.

Jika terdedah kepada air atau cecair lain, peranti patut dibersihkan dari sebarang kesan air.

## 14. Waranti

Jabra (GN Netcom) menjamin produk ini terhadap semua kecacatan material dan pembuatan bagi tempoh satu tahun daripada tarikh pembelian asal. Syarat-syarat waranti ini dan tanggungjawab kami di bawah waranti ini adalah seperti berikut:

- Waranti adalah terhad kepada pembeli asal.
- Dikehendaki salinan resit atau bukti pembelian lain anda.
- Waranti ini adalah tidak sah sekiranya nombor siri, label kod tarikh atau label produk dibuka, atau sekiranya produk terdedah kepada tindakan fizikal, pemasangan yang tidak betul, pengubahsuaian, atau pembaikan oleh pihak ketiga yang tidak bertauliah.
- Tanggungjawab produk-produk Jabra (GN Netcom) adalah terhad kepada pembaikan atau penggantian produk berkenaan mengikut pertimbangannya sendiri.

- Sebarang waranti tersirat pada produk-produk Jabra (GN Netcom) adalah terhad kepada satu tahun daripada tarikh pembelian semua bahagian, termasuk sebarang kord atau penyambung.
- Terkecuali secara spesifik daripada sebarang waranti adalah komponen-komponen boleh guna hayat terhad bergantung kepada kehausan dan kelusuhan biasa, seperti mikrofon cermin depan, kusyen telinga, kemasan hiasan, bateri, dan aksesori-aksesori lain.
- Jabra (GN Netcom) tidak bertanggungjawab terhadap sebarang kerosakan sampingan atau secara langsung yang timbul akibat penggunaan atau penyalahgunaan sebarang produk Jabra (GN Netcom).
- Waranti ini memberikan anda hak-hak spesifik dan mungkin mendapat hak-hak lain yang berbeza-beza mengikut kawasan-kawasan.
- Kecuali diarahkan sebaliknya dalam Manual Pengguna, pengguna tidak boleh, dalam sebarang keadaan, cuba untuk melakukan servis, pelarasan atau pembaikan ke atas unit ini, sama ada semasa atau selepas tempoh waranti. Ia mesti dikembalikan ke tempat pembelian, kilang atau agensi servis bertauliah bagi kerja-kerja berkenaan.
- Jabra (GN Netcom) tidak akan bertanggungjawab bagi sebarang kehilangan atau kerosakan yang berlaku semasa penghantaran. Sebarang kerja pembaikan pada produk-produk Jabra (GN Netcom) oleh pihak ketiga yang tidak bertauliah akan membatalkan sebarang waranti.

## 15. Kelulusan pengiktirafan dan keselamatan

### China

Mematuhi peruntukan-peruntukan Peraturan Radio China.

### Republik Korea:

Disahkan di bawah peruntukan-peruntukan Peraturan bagi Pensijilan Peralatan Maklumat dan Komunikasi oleh Ketua Pengarah Makmal Penyelidikan Radio (Kementerian Maklumat dan Komunikasi)

### Taiwan

Diluluskan oleh Ketua Pengarah Telekomunikasi (Kementerian Pengangkutan dan Komunikasi).

### Singapura

Diluluskan oleh Pihak Berkuasa Pembangunan Infocomm Singapura (IDA) untuk dijual dan digunakan dalam Singapura.

### FCC

Peranti ini mematuhi bahagian 15 Undang-Undang FCC. Operasinya adalah tertakluk kepada dua syarat berikut: (1) Peranti ini tidak boleh menyebabkan gangguan yang membahayakan, dan (2) peranti ini mesti menerima sebarang gangguan yang diterima, termasuk gangguan yang mungkin menyebabkan operasi yang tidak diingini.

### CE

Produk ini ditandakan CE mengikut peruntukan-peruntukan dalam Arahan R & TTE (99/5/EC).

### Bluetooth

Tanda perkataan Bluetooth® dimiliki oleh Bluetooth SIG, Inc. dan sebarang penggunaan tandatanda berkenaan oleh GN Netcom adalah dengan mendapat lesen. Tanda niaga-tanda niaga dan nama dagang lain adalah milik pemilik masing-masing.

## 16. Glosari

**Bluetooth** adalah teknologi radio yang menyambung peranti, seperti telefon bimbit dan set kepala, tanpa wayar atau kord pada jarak yang pendek (anggaran 30 kaki). Dapatkan maklumat lanjut di [www.bluetooth.com](http://www.bluetooth.com)

**Profil Bluetooth** adalah cara lain peranti Bluetooth berkomunikasi dengan peranti-peranti lain. Telefon Bluetooth menyokong sama ada profil set kepala, profil bebas tangan atau kedua-duanya. Untuk menyokong profil tertentu, pengilang telefon mesti melaksanakan ciri mandatori tertentu dalam perisian telefon.

**Berpasangan** membuat pautan unik dan dienkripsi antara dua peranti Bluetooth dan membolehkannya berkomunikasi antara satu sama lain. Peranti Bluetooth tidak akan berfungsi jika peranti-peranti tersebut tidak berpasangan.

**Kunci laluan atau PIN** adalah kod yang anda masukkan pada telefon bimbit anda untuk berpasangan dengan Jabra BT135 anda. Ini membuat telefon dan Jabra BT135 anda mengenali satu sama lain dan bekerja bersama secara automatik.

**Mod bersedia** adalah apabila Jabra BT135 sedang menunggu panggilan secara pasif. Apabila anda 'menamatkan' panggilan pada telefon bimbit anda, set kepala akan ke mod bersedia.

## Free Manuals Download Website

<http://myh66.com>

<http://usermanuals.us>

<http://www.somanuals.com>

<http://www.4manuals.cc>

<http://www.manual-lib.com>

<http://www.404manual.com>

<http://www.luxmanual.com>

<http://aubethermostatmanual.com>

Golf course search by state

<http://golfingnear.com>

Email search by domain

<http://emailbydomain.com>

Auto manuals search

<http://auto.somanuals.com>

TV manuals search

<http://tv.somanuals.com>