



INSTALLATION INSTRUCTIONS FOR PART 95-7419

APPLICATIONS
Nissan Altima
2005-2006
(Without factory navigation)

95-7419

KIT FEATURES

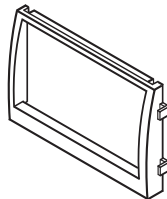
- Double DIN Head Unit Provision
- Stacked ISO DIN Head Unit Provision

KIT COMPONENTS

- (A) DDIN Trim plate

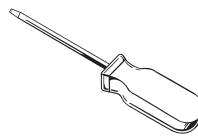
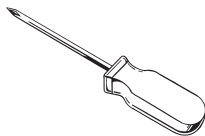


A



TOOLS REQUIRED:

Phillips Screwdriver • Small Flat Blade Screwdriver



1-800-221-0932



www.metraonline.com

© COPYRIGHT 2004-08 METRA ELECTRONICS CORPORATION



TABLE OF CONTENTS

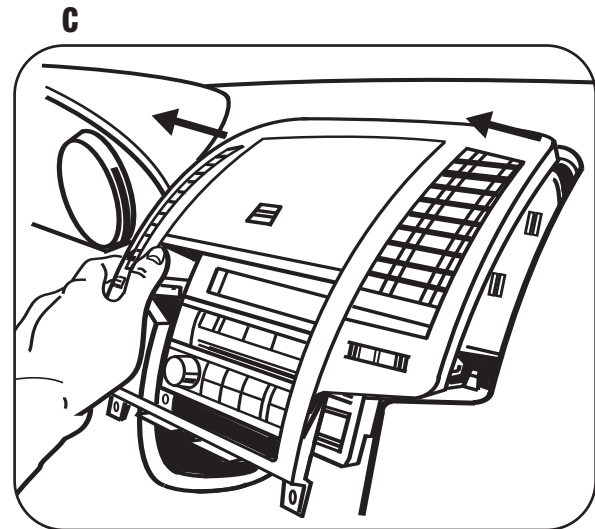
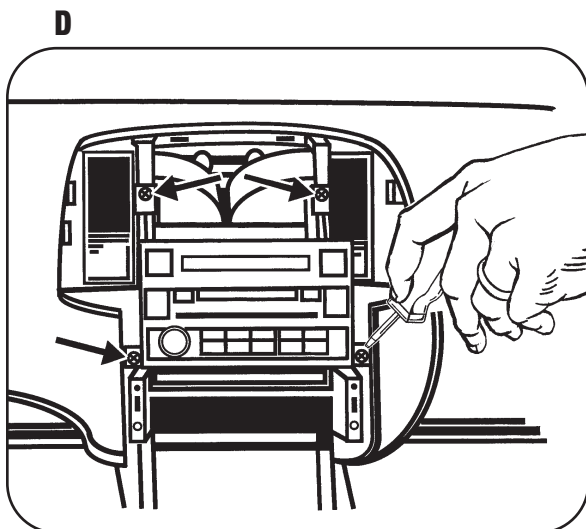
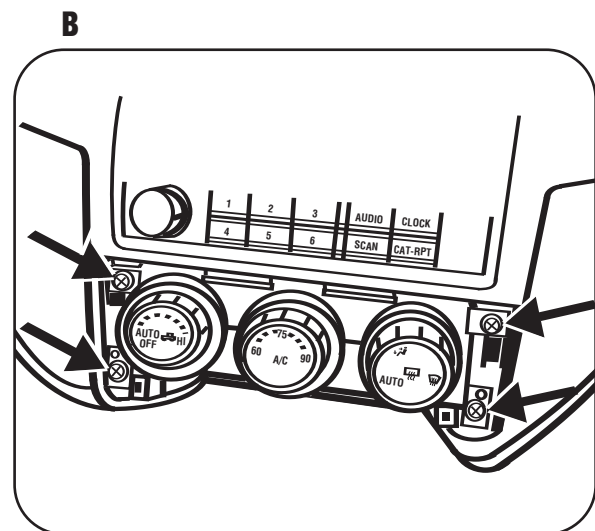
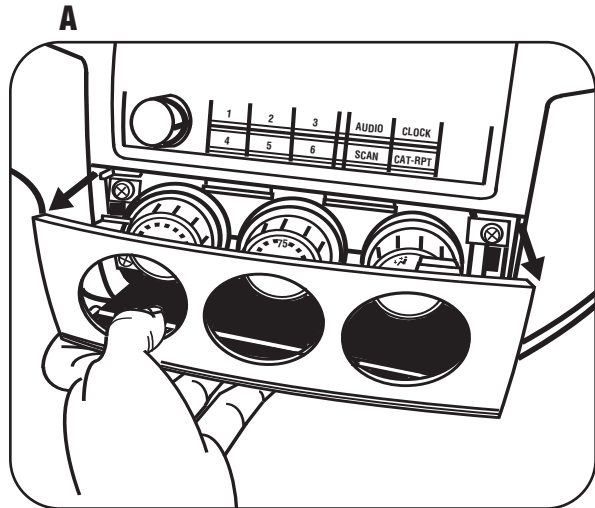
***Dash Disassembly* 1**

***Kit Assembly* 2, 3**

***Final Assembly* 4**

2005-06 NISSAN ALTIMA

- 1 Disconnect the negative battery terminal to prevent an accidental short circuit.
- 2 Unclip and remove the trim panel surrounding the climate controls. (Figure A)
- 3 Remove (4) Phillips screws securing climate control and remove. (Figure B)
- 4 Unclip and remove the panel surrounding radio including A/C vents. (Figure C)
- 5 Remove (4) Phillips screws securing radio to remove. (Figure D)

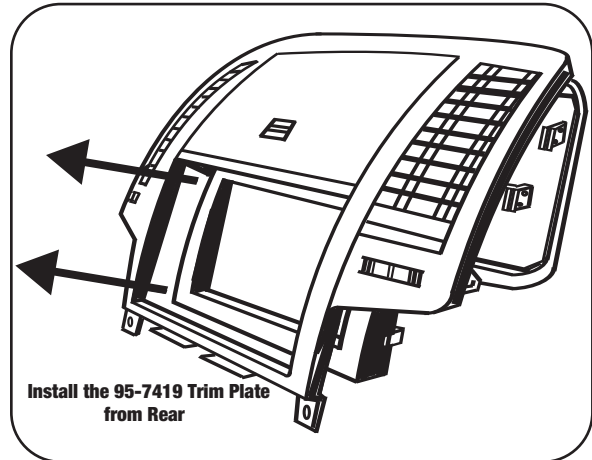


2005-06 NISSAN ALTIMA DOUBLE DIN HEAD UNIT PROVISION

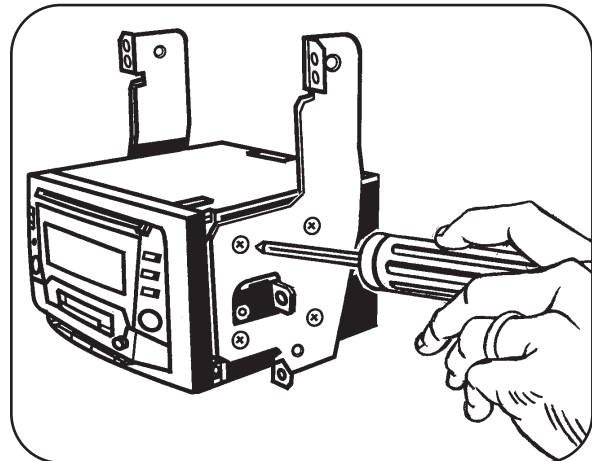
- 1 Snap the 95-7419 trim plate into the radio trim panel. (Figure A)

- 2 Slide the DDIN radio unit into the factory brackets and secure the unit to the brackets using the screws supplied with the head unit. (Figure B)

A



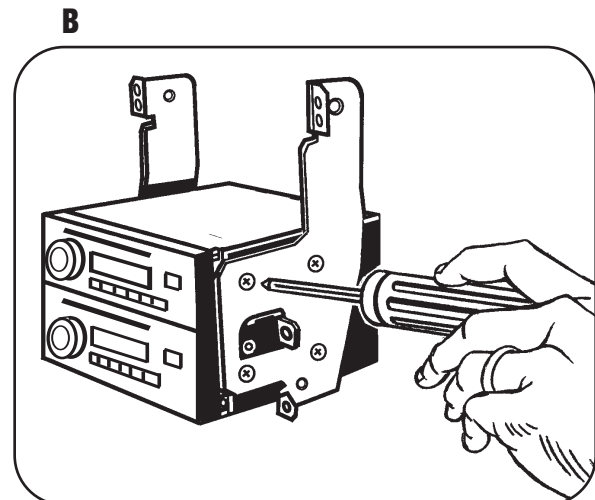
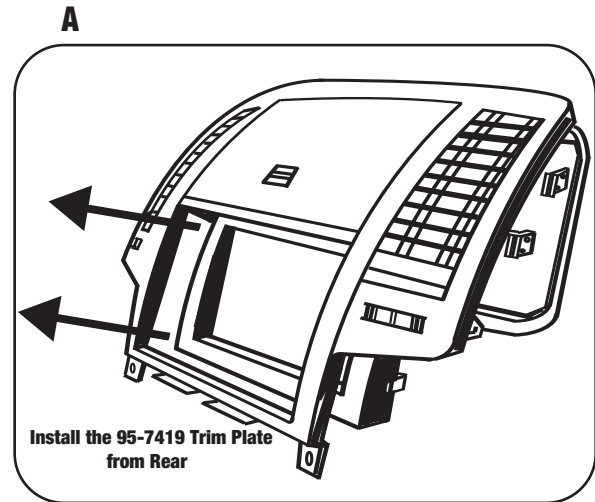
B



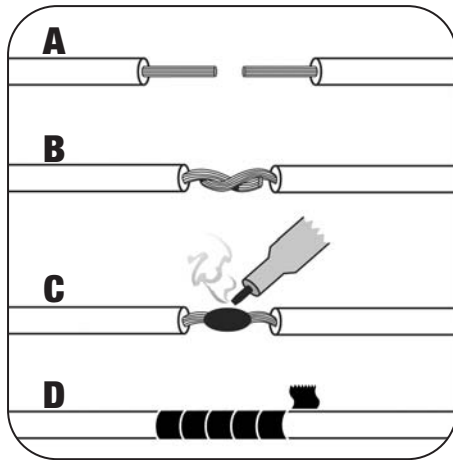
2005-06 NISSAN ALTIMA **STACKED ISO DIN HEAD UNIT PROVISION**

- 1** Snap the 95-7419 trim plate into the radio trim panel. (Figure A)

- 2** Slide the stacked ISO DIN units into the factory brackets and secure the units to the brackets using the screws supplied with the head units. (Figure B)



FINAL ASSEMBLY



- A) Strip wire ends back 1/2"**
- B) Twist ends together**
- C) Solder**
- D) Tape**

- 1** Locate the factory wiring harness in the dash. Metra recommends using the proper mating adapter and making connections as shown. (Isolate and individually tape off the ends of any unused wires to prevent electrical short circuit.)
- 2** Re-connect the negative battery terminal and test the unit for proper operation.
- 3** Reassemble radio and dash assemblies in reverse order of disassembly.

FINAL WIRING CONNECTIONS

Make wiring connections using the EIA color code chart shown below and the instructions included with the head unit. Metra recommends making connections as shown below; Strip, Splice, Solder, Tape. Isolate and individually tape off ends of any unused wires to prevent electrical short circuit.

METRA / EIA WIRING CODE

12V Ignition / Acc . . . Red	Right Front (+) Gray
12V Batt / Memory . . Yellow	Right Front (-) Gray / Black
Ground Black*	Left Front (+) White
Power Antenna Blue	Left Front (-) White / Black
Amp Turn-On Blue / White	Right Rear (+) Violet
Amp Ground Black / White	Right Rear (-) Violet / Black
Illumination. Orange	Left Rear (+) Green
Dimmer Orange / White	Left Rear (-) Green / Black

***NOTE:** When Black a wire is not present, ground radio to vehicle chassis.
All colors may not be present on all leads due to manufacturer's specifications.

95-7419



1-800-221-0932



www.metraonline.com

REV 03-03-08 © COPYRIGHT 2004-08 METRA ELECTRONICS CORPORATION INST95-7419

Free Manuals Download Website

<http://myh66.com>

<http://usermanuals.us>

<http://www.somanuals.com>

<http://www.4manuals.cc>

<http://www.manual-lib.com>

<http://www.404manual.com>

<http://www.luxmanual.com>

<http://aubethermostatmanual.com>

Golf course search by state

<http://golfingnear.com>

Email search by domain

<http://emailbydomain.com>

Auto manuals search

<http://auto.somanuals.com>

TV manuals search

<http://tv.somanuals.com>