

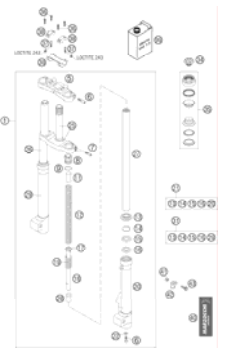
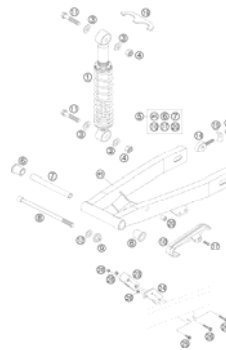

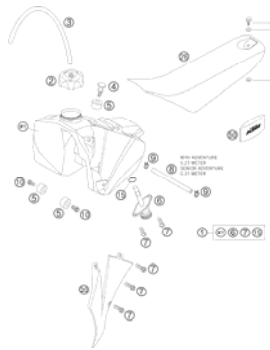
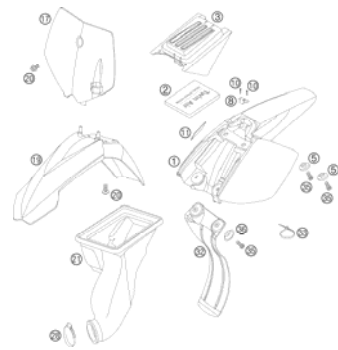
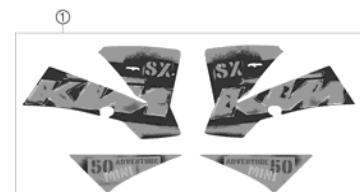
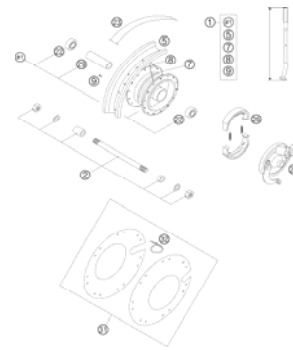
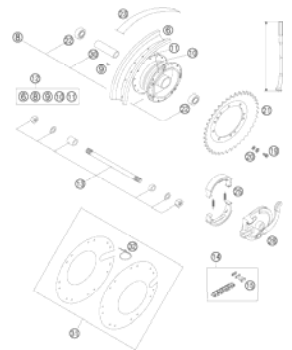
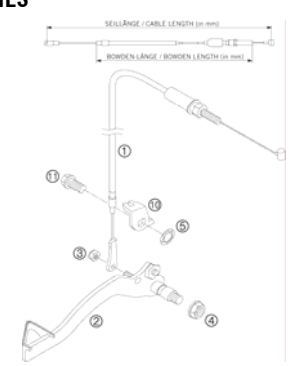
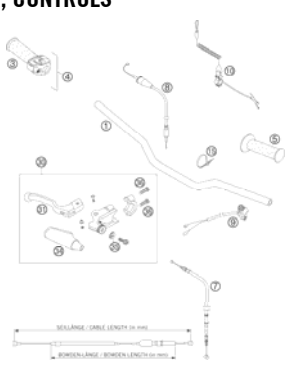
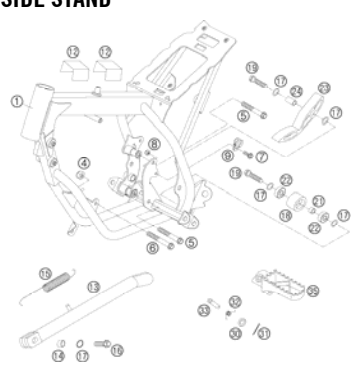
50 MINI ADVENTURE 2006

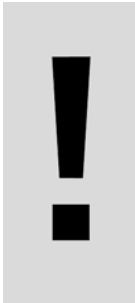
SPARE PARTS MANUAL: CHASSIS

ART.NO.: 3CF6001F5EN

ENGLISH



FRONT FORK  3	MONOSHOCK, SWINGARM  7	EXTHAUS SYSTEM  8	TANK, SEAT, COVER  9
MASK, FENDERS  10	DECAL  11	FRONT WHEEL  12	REAR WHEEL  13
ACCESSORIES  14	HANDLEBAR, CONTROLS  5	FRAME, SIDE STAND  6	

		<p>All information contained is without obligation. KTM-Sportmotorcycle AG particularly reserves the right to modify any equipment, technical specifications, prices, colors, shapes, materials, services, service work, constructions, equipment and the like so as to adapt them to local conditions or to cancel any of the above items, all without previous announcement and without giving reasons. KTM may stop manufacturing certain models without previous notice. KTM shall not be held liable for any deviations of availability and/or ability to deliver, illustrations, descriptions, printing and/or other errors. The illustrated models partly contain extra equipment, which is not applied to standard models. © 2004 by KTM-SPORTMOTORCYCLE AG, Mattighofen AUSTRIA; All rights reserved; Reprint, also in extracts, with written allowance of KTM-SPORTMOTORCYCLE AG, Mattighofen only.</p>	

FRONT FORK

50 MINI ADVENTURE 2006

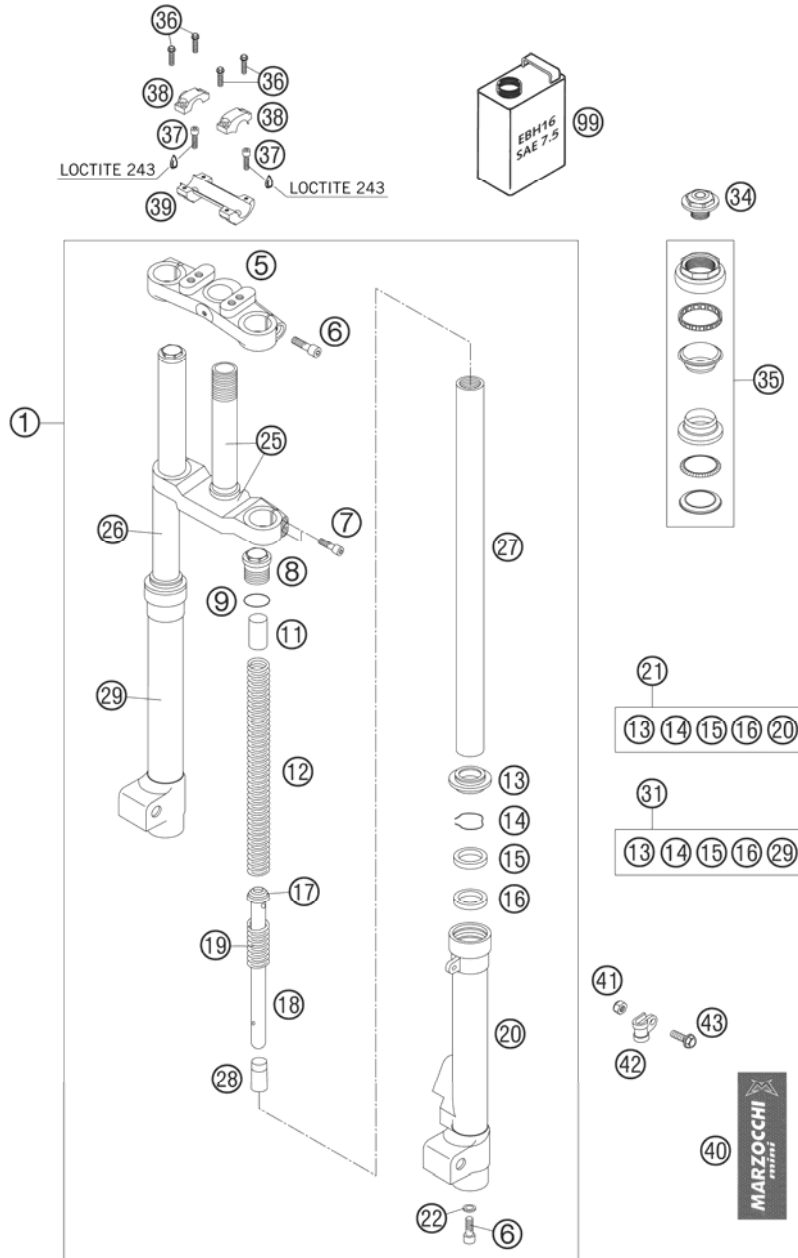


FIG	PART NUMBER	DESCRIPTION	QTY
1	45101000044	FORK CPL. 50 ADV. MARZ. 2002	1
5	7501476A	TOP FORK PLATE	1
6	0912080303	AH SCREW DIN0912-M 8X30	4
7*	0912060253	AH SCREW DIN0912-M 6X25	4
8	7504212AC	PLUG CAP	2
9	7528010	O-RING	2
11	7518031	PRE LOAD BUSH L=55MM 2002	2
12	75141169	SPRING 2N/MM	2
12	75141214	SPRING 2,5N/MM	x
13	7533297	DUST SEAL	2
14	7523264	STOP RING	2
15	7528230	OIL SEAL 32/42/6,5-9,5	2
16	7522166AA	WASHER D42X32,5X1,5	2
17	7524157	PISTON RING D32	1
18	78031104	ONLY FOR REBOUND DAMPING PISTON ROD COMPRESSION MINI 02	1
18	78031105	COMPRESSION DAMP. RIGHT SIDE PISTON ROD REBOUND MINI 02	1
19	75141015	REBOUND DAMPING - LEFT SIDE REBOUND SPRING	2
20	75031538A/A	SLIDER LEFT SIDE 2002	1
21	75031538A/A/R	SLIDER LEFT SIDE CPL. 2002	1
22	7522225	WASHER 14X8X1,5	2
25	77051124	BOT. FORK PLATE CPL. MINI/JUN	1
26	7708247/R	FORK TUBE R/S MINI/JUN. 02	1
27	7708248/R	FORK TUBE L/S MINI/JUN. 02	1
28	7512068	FOOT BUFFER	2
29	75031366A/A	SLIDER RIGHT SIDE	1
31	75031366A/K/R	SLIDER CPL. RIGHT SIDE	1
34	50301036000	STEER.HEAD SCREW M20X1,5 WS=27	1
35	45101081100	STEER.STEM B. CPL. 50 SXR 2003	1
36	0015080303	HH COLLAR SCREW M 8X30 WS=10	4
37	0912100250	AH SCREW DIN6912-M10X25,10.9,L	2
38	50301038000	HANDLEBAR CLAMP D=22MM 2001	2
39	45101039000	HANDLEBAR SUPPORT D=22MM 2001	1
40	7547325	STICKER LEFT SIDE MARZOCCHI	1

064500100 / C064500100

* NEW PART

X AS REQUIRED

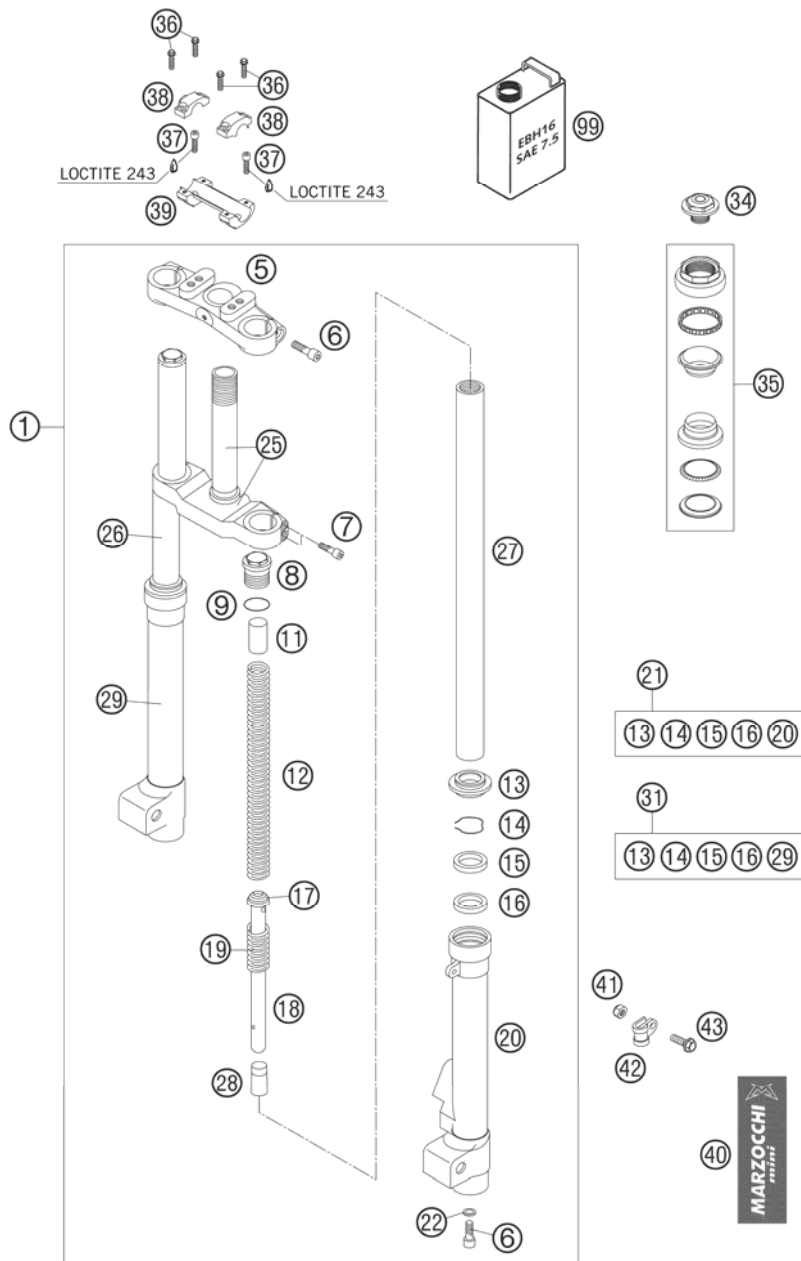


FIG	PART NUMBER	DESCRIPTION	QTY
40	7547331	STICKER RIGHT SIDE MARZOCCHI	1
41	0985050003	SELF LOCKING NUT DIN0985-M 5	1
42	45001070000	BRAKE CABLE CLAMP RSGU 9/12	1
43	0015050203	HH COLLAR SCREW M 5X20 WS=8	1
99	7550013	FORKOIL EBH16 SAE 7.5	1

064500100 / C064500100

* NEW PART

X AS REQUIRED

HANDLEBAR, CONTROLS

50 MINI ADVENTURE 2006

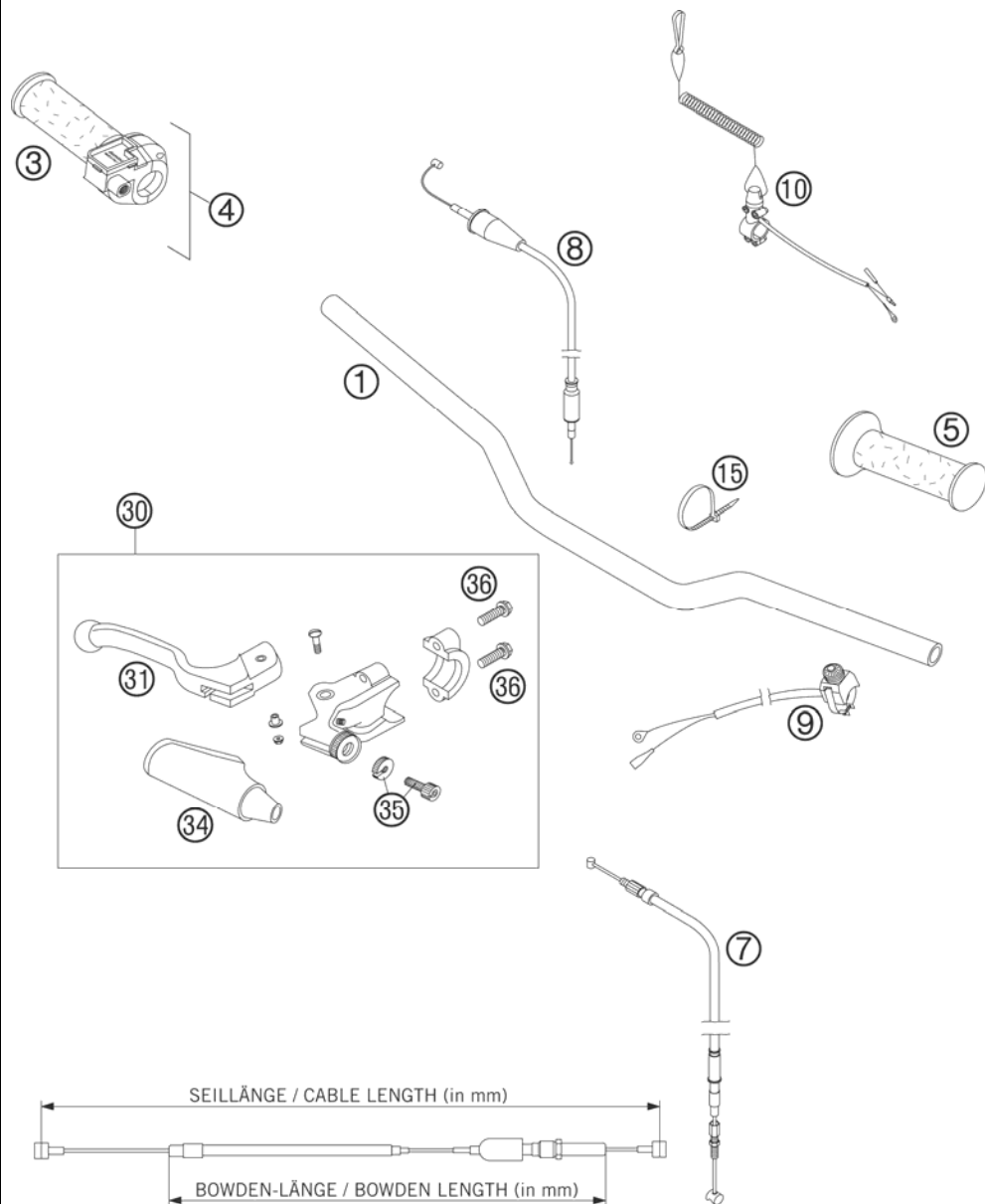


FIG	PART NUMBER	DESCRIPTION	QTY
1	45102001000	HANDLEBAR 50 AC+LC 2005	1
3*	45002003000	TWIST GRIP COVER DOMINO	1
4	45002010000	TWIST GRIP CPL. 50 SXR	1
5	45002039000	RUBBER GRIP	1
7	45113010000	BRAKE CABLE FRONT 898/772 01	1
7	45113070000	BRAKE CABLE REAR 1187/1052 01	1
8	45102091100	THROTTLE CABLE JUN.762/644 02	1
9	50311089200	SHORT CIRCUIT BUTTON 02	1
10	45011089044	S.CIRCUIT BUTTON W. RIP CORD	x
15	44011076100	CABLE TIE 100/2,5MM BLACK	x
15	44011076200	CABLE TIE 200/3,6MM BLACK	x
30	45113001044	HAND BRAKE LEVER CPL. R/S 2001 MINI ADV.	1
31	45113042000	HAND BRAKE LEVER LOOSE 2001 HAND BRAKE LEVER L/S	1
34	46002048000	PLASTIC CAP FOR CLUTCH LEVER	x
35	46002043100	ADJUST SCREW CLUTCH LEVER 2000	x
36	0015060203	HH COLLAR SCREW M 6X20 WS=8	x

064500200 / C064500200

* NEW PART

X AS REQUIRED

FRAME, SIDE STAND

50 MINI ADVENTURE 2006

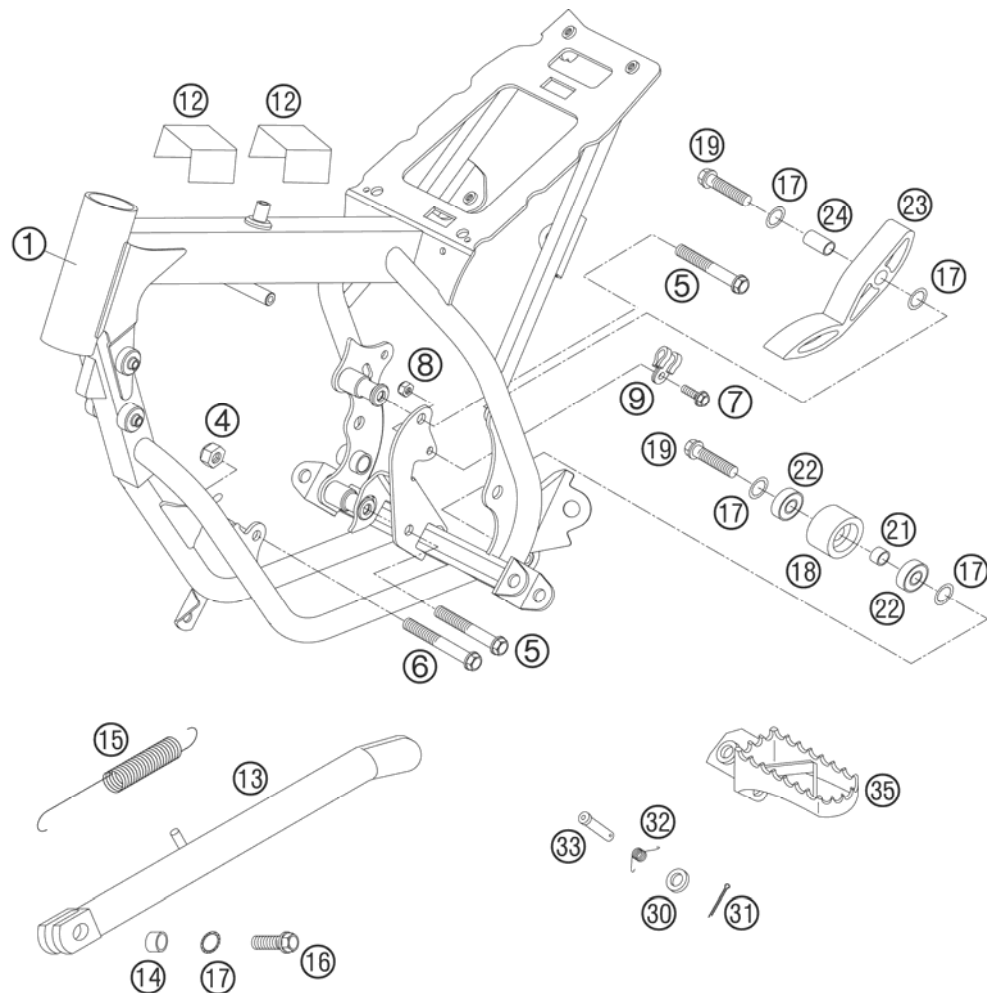


FIG	PART NUMBER	DESCRIPTION	QTY
1	45103001500	FRAME ADVENTURE GS "MF3R" 03	1
4	54310086200	SELF LOCKING NUT M8 10.9	1
5	0015080603	HH COLLAR SCREW M 8X60 WS=10	2
6	0015080653	HH COLLAR SCREW M 8X65 WS=10	1
7	0015050123	HH COLLAR SCREW M 5X12 WS=8	1
8	0985050003	SELF LOCKING NUT DIN0985-M 5	1
9	45001070000	BRAKE CABLE CLAMP RSGU 9/12	1
12	58711054050	METAMOLL FOR BATTERY BRACKET	2
13	4510302310090	SIDE STAND L=270MM SILVER 02	1
14	45103023250	BUSHING FOR SIDE STAND 02	1
15	51003021000	SIDESTAND SPRING LONG	1
16	0015080203	HH COLLAR SCREW M 8X20 WS=10	1
17	36003014000	LOCK WASHER 8MM	5
18	50203053000	CHAIN ROLL D=30MM	1
19	0015080303	HH COLLAR SCREW M 8X30 WS=10	2
21	74003021000	BUSHING 8.2 X 12 X 6	1
22	0625006087	GROOVED BALL BEAR. 608 2RS C3	2
23	51103053000	CHAIN SLIDING PIECE BELOW '97	1
24	51103053051	BUSHING 8,2X10X20	1
30	0125100003	WASHER DIN0125-A10,5	2
31	0094032253	PIN DIN0094-3,2X25 STEEL	2
32	54603041000	FOOTREST SPRING L/S & R/S	2
33	54803044000	BOLT FOR FOOT PED 03	2
35	5460304000090	FOOT REST L/S SILVER	1
35	5460314000090	FOOT REST R/S SILVER '98	1

04450030 / C064500300

* NEW PART

X AS REQUIRED

MONOSHOCK, SWINGARM

50 MINI ADVENTURE 2006

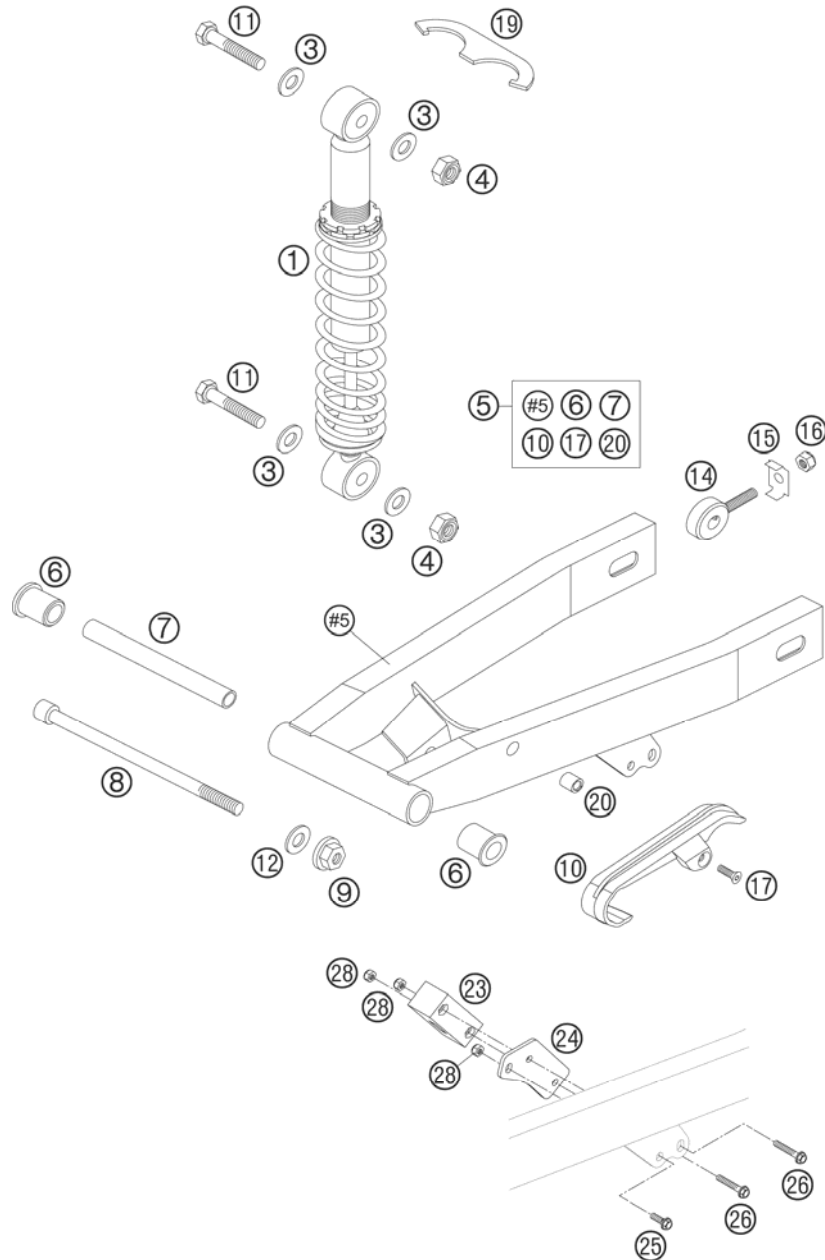


FIG	PART NUMBER	DESCRIPTION	QTY
1	45104010700	SHOCK ABSORB.ADV GS L=245MM 05	1
3	0125100003	WASHER DIN0125-A10,5	4
4	0982100003	SELF LOCK.NUT DIN0982-M10 HIGH	2
5	45104030044	SWINGARM CPL. JUN. ADV.+LC 02	1
6	45004031000	BUSHING BOX L=30 MM	2
7	45004039000	SPACING TUBE 10X13X140 MM	1
8	45103014000	SWING ARM BOLT M10X158,5 02	1
9	49009082000	SELF LOCKING NUT M10 FK8	1
10	45104066000	CHAIN SLID. GUARD FRO. MINI 02	1
11	0931100453	HH SCREW DIN0931-M10X45	2
12	31004001100	WASHER 10,5 X 21 X 3	1
14	45010083000	CHAIN ADJUSTER	2
15	45010083060	SUPPORTING BRACKET	2
16	0985080003	SELF LOCKING NUT DIN0985-M 8	2
17	0991060203	FLAT H.SCREW DIN7991-M6X20 8.8	1
19	45004010090	HOOK WRENCH 50 SXR	1
20	55003139900	BLIND RIVET THREAD M6 STE. 4MM	1
23	45004070000	CHAIN GUIDE REAR	1
24	45104170000	BRACKET FOR CHAIN GUARD 02	1
25*	0015050123	HH COLLAR SCREW M 5X12 WS=8	2
26	0015050303	HH COLLAR SCREW M 5X30 WS=8	1
27	0912050353	AH SCREW DIN912 M5X35	1
28	0985050003	SELF LOCKING NUT DIN0985-M 5	3

064500400 / C064500400

* NEW PART

X AS REQUIRED

EXTHAUS SYSTEM

50 MINI ADVENTURE 2006

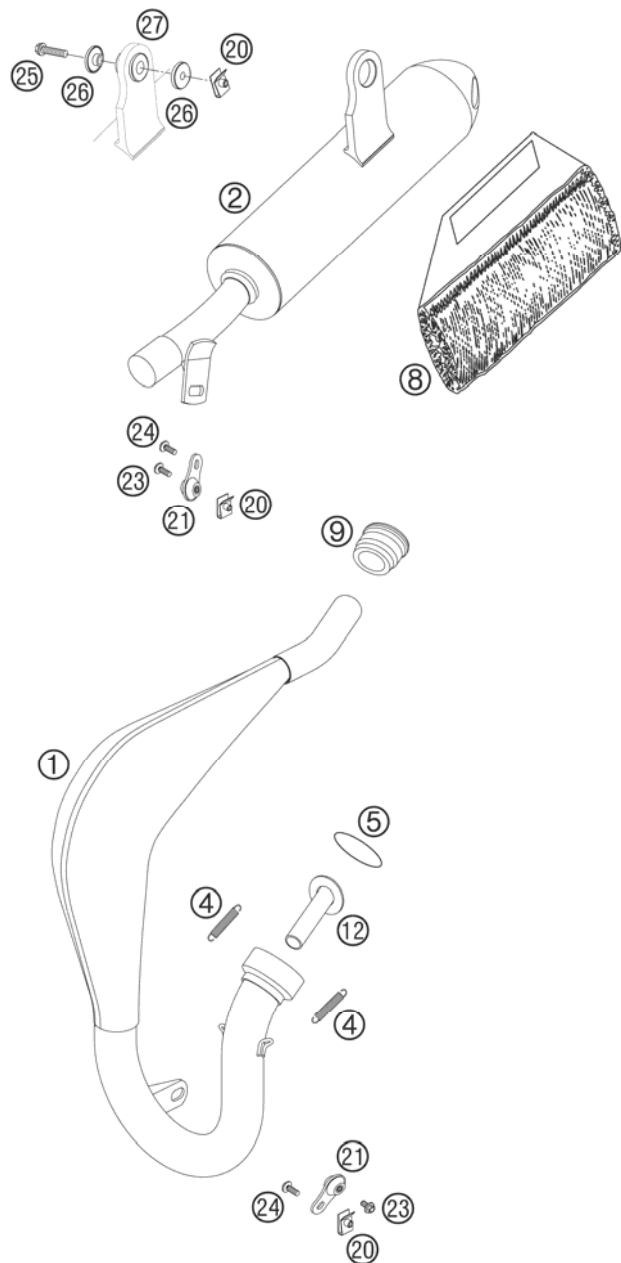


FIG	PART NUMBER	DESCRIPTION	QTY
1	45105008000	EXHAUST PIPE 50 ADVENTURE 2002	1
2	45105079100	SILENCER SX JUNIOR 2002	1
4	50305016000	TEN.SPRING L=62MM EY.MOVEABLE	2
5	0770320030	O-RING 32,00X3,00 VITON	1
8	45105079056	ROCKWOOL PREFOMED 50 2002 110 GRAMM TOTAL WEIGHT	1
9	45105057000	EXHAUST RUBBER MINI 2002	1
12	45105083000	EXHAUST THROTTLE CPL. MINI 02	1
20	54603048100	RANGE CHANGE METAL NUT M6	3
21	50305012000	SWINGELEMNT FOR EXHAUST PIPE	2
23	0015060123	HH COLLAR SCREW M 6X12 WS=8	2
24	0014060153	HH COLLAR SCREW M 6X15 WS=8	2
25	0015060303	HH COLLAR SCREW M 6X30 WS=8	1
26	54605069000	BUSHING 7,5X12X28X7,8 '96	2
27	54605068000	EXHAUST BRACKET RUBBER BLACK	1

05450050 / C064500500

* NEW PART

X AS REQUIRED

TANK, SEAT, COVER

50 MINI ADVENTURE 2006

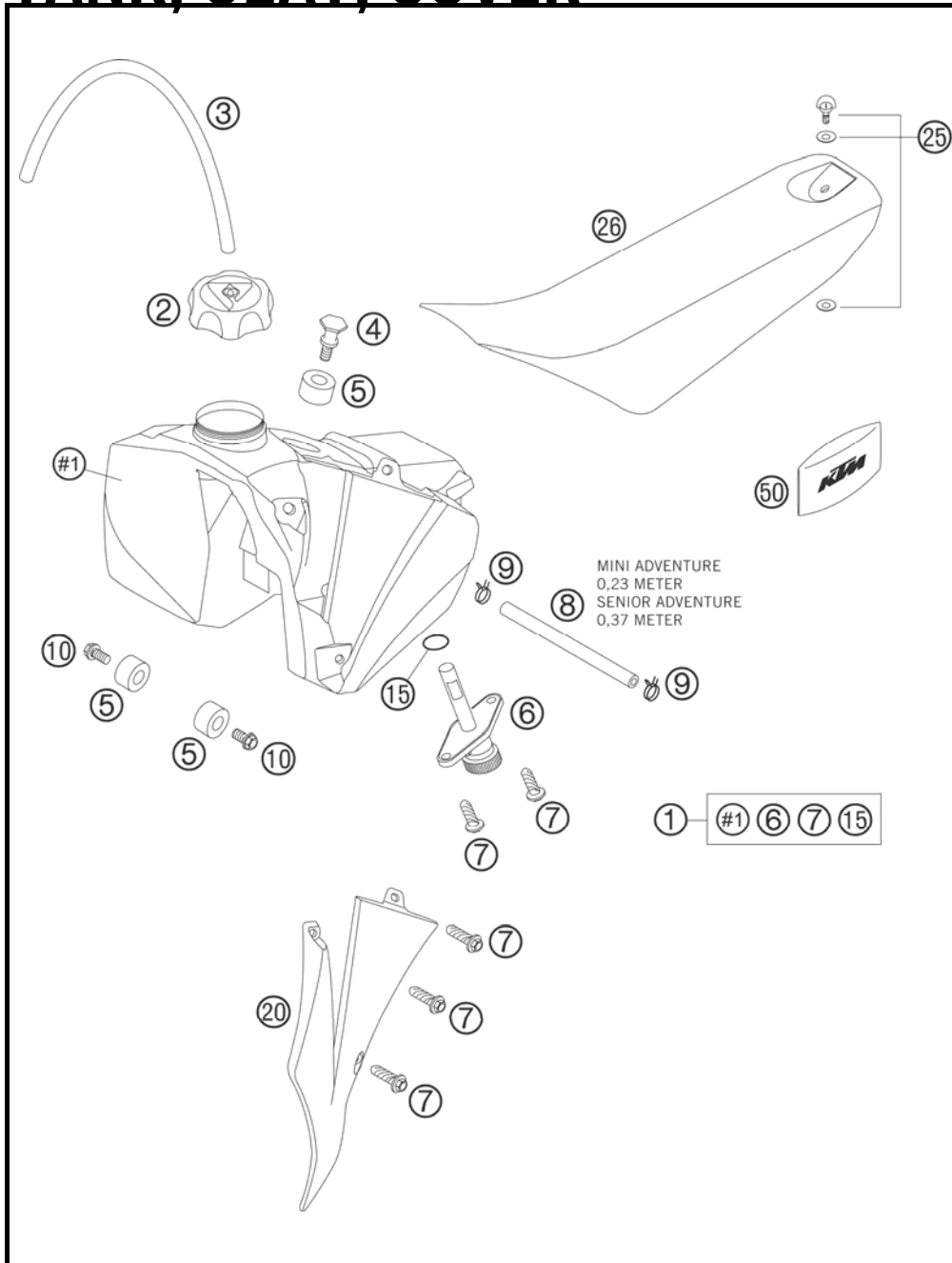


FIG	PART NUMBER	DESCRIPTION	QTY
1	4510711300004	FUEL TANK 50 MINI AC 2003	1
2	49007008044	FILLER CAP CPL. SMALL	1
3	31007107001	PVC-HOSE 6X9 MM PER METER	x
4	45107011000	TANK SCREW MINI 50 2001	1
5	50307014000	TANK ROLLER 12X26X12 '98	3
6	58507003000	FUEL COCK CPL. SMALL RALLYE'96	1
7	0017060203	EJOT PT SCREW K60X20 WS=6	8
8	58307016001	FUEL HOSE VITON 6X1,5 PER/M	x
9	45031005000	YDNAC-CLAMP FUEL HOSE (8MM)	2
10	0015060123	HH COLLAR SCREW M 6X12 WS=8	2
15	55007006200	O-RING 11X1,8 NBR 70	1
20	4510805000004	SPOILER LEFT SX JUN/SEN 2001	1
20	4510805100004	SPOILER RIGHT SX JUN/SEN 2001	1
25	45007040051	QUICK RELEASE CPL. 50 SXR '97	1
26	45107040600	SEAT MINI ADV. LOW 2005 MINI ADVENTURE	1
50	45029099000	TOOL SET 50 MINI, 60/65 SX	1

05450070 / C064500700

* NEW PART

X AS REQUIRED

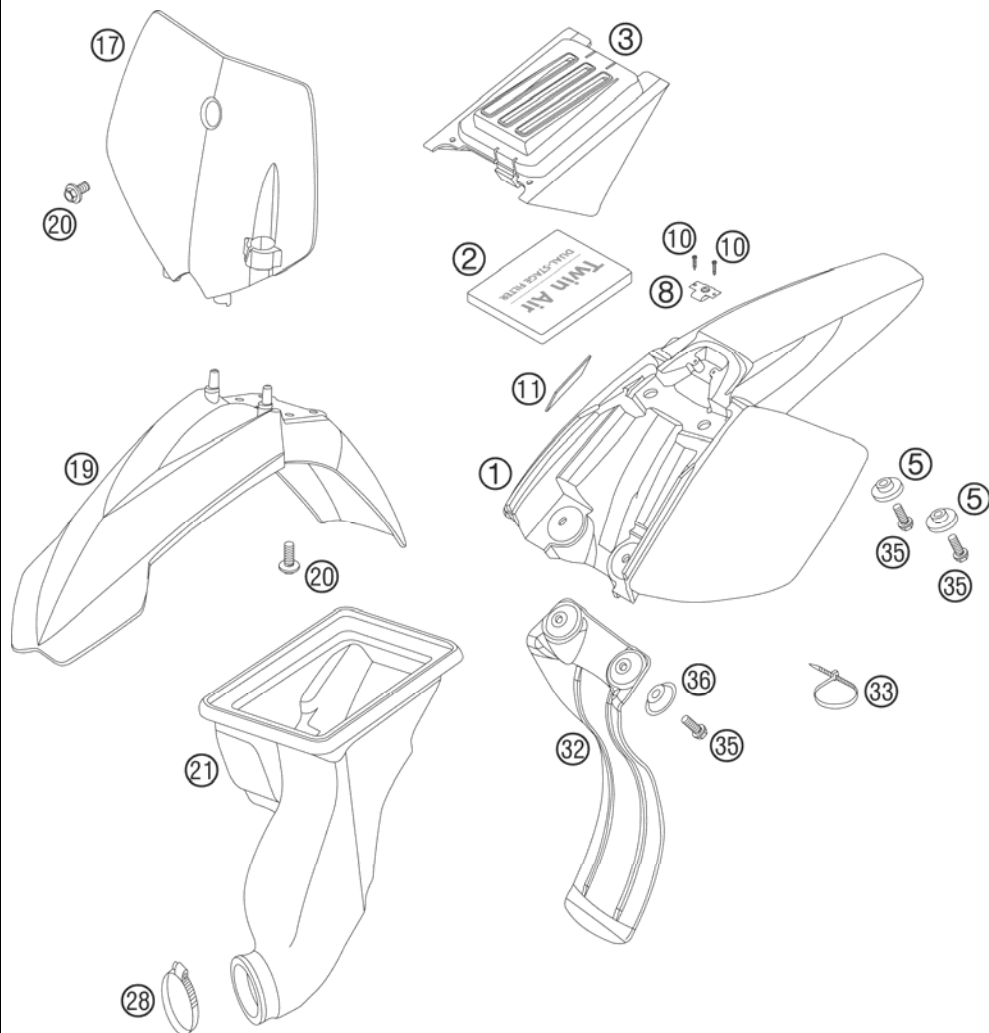


FIG	PART NUMBER	DESCRIPTION	QTY
1	4510801300004	REAR PART 50 MINI ORANGE 2003	1
2	45106015000	AIR FILTER 134X96X15MM 01	1
3	45106012000	FILTER COVER JUN/SEN 2001	1
5	45108013050	BUSH F.REAR P. SX JUN/SEN 2001	2
8	45007040050	QUICK RELEASE LATCHPLATE	1
10	0981350163	SHEET MET.SCR.DIN7981- 3,5X16	2
11	59003001099	METAMOLL 90X45X3MM 03	1
17	4510800700004	NUMBER PLATE SX JUN/SEN 2001	1
19	4510801000004	FENDER FRONT SX JUN/SEN 2001	1
20	0014060103	HH COLLAR SCREW M 6X10 WS=8	5
21	45106026000	CARBUR.CONNEC.BOOT SXR JUN. 02 MINI ADV.	1
28	54305058000	HOSE CLAMP 30-45 SGT	1
32	45106010000	SPLASH PROTECTOR JUNIOR 2002	1
33	44011076305	CABLE TIE 300/4,8MM BLACK	2
35	0015060163	HH COLLAR SCREW M 6X16 WS=8	4
36	72210079000	BUCKET	2

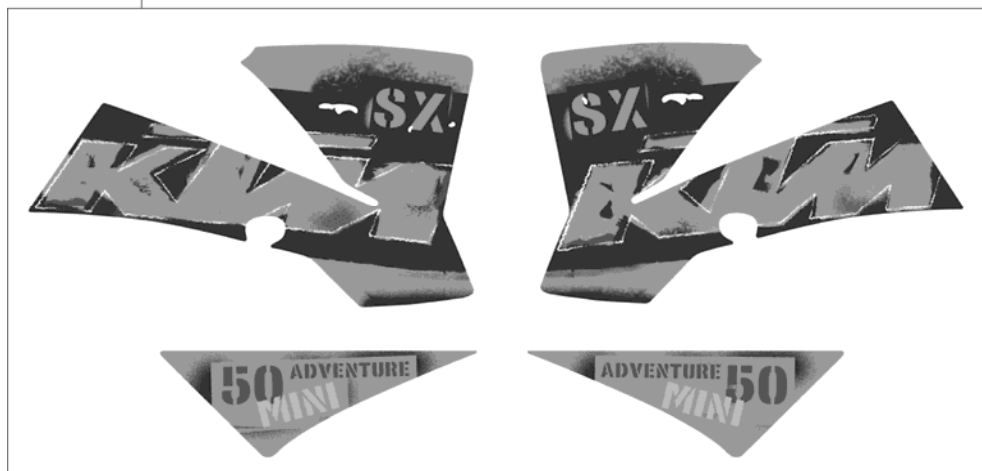
064500800 / C064500800

* NEW PART

X AS REQUIRED

FIG	PART NUMBER	DESCRIPTION	QTY
1*	45108199800	DECAL SET CPL. 50 MINI ADV. 06	1

①



064500802 / C064500802

* NEW PART

X AS REQUIRED

FRONT WHEEL

50 MINI ADVENTURE 2006

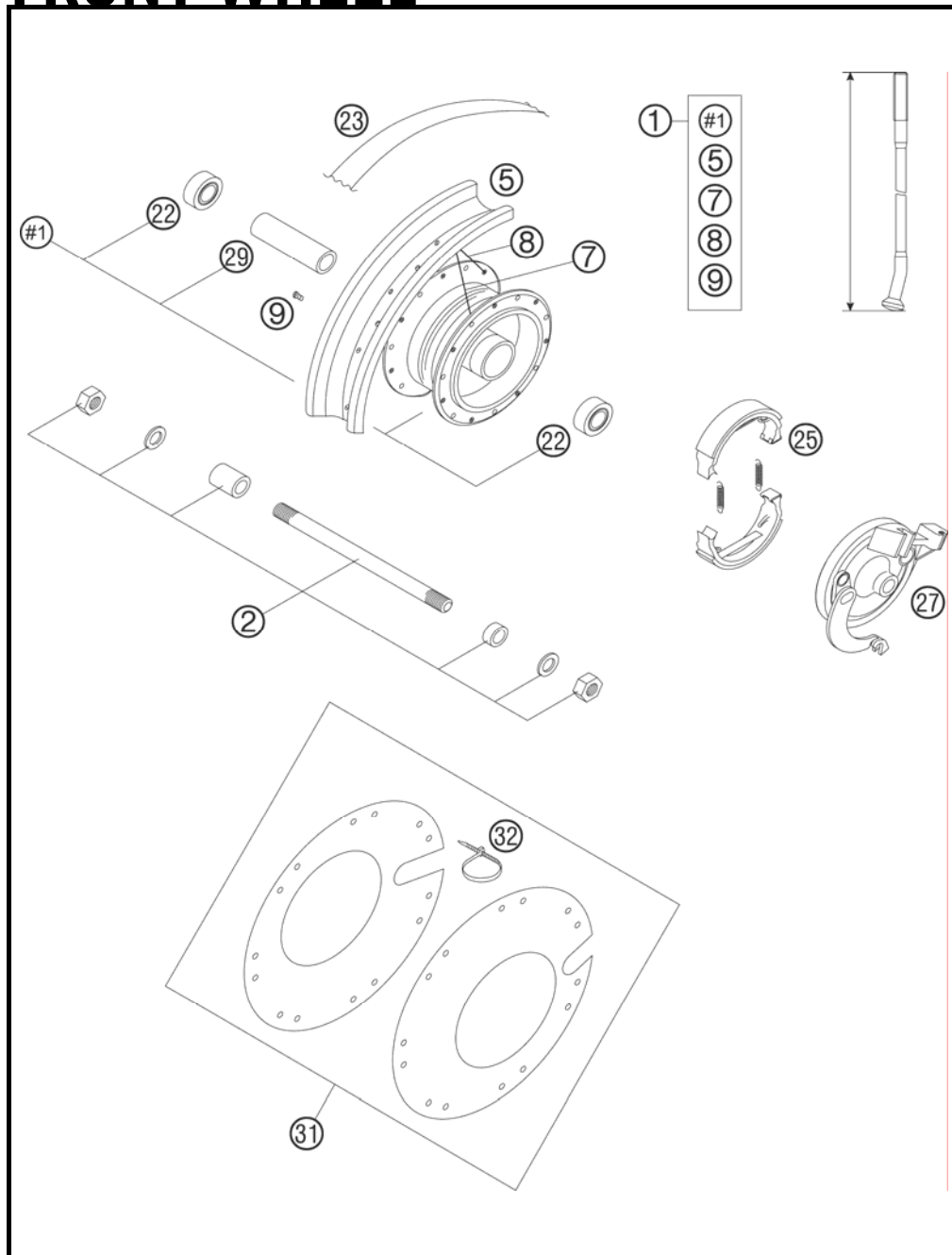


FIG	PART NUMBER	DESCRIPTION	QTY
1	45109001344	REAR WHEEL-SP CPL.1,5X10"STEEL	1
2	45009081000	AXLE FRONT CPL. L=202MM	1
5	45009070000	RIM 1,50X10" STEEL	2
7	45009071200	SPOKE 3X70X3,5MM-95°	14
8	45009171200	SPOKE 3X69X4,5MM-80°	14
9	45109072000	SPOKE NIPPLE 3MM	28
22	0625060016	GROOV.BALL BEAR. 6001.2RSR C3	2
23	45009073000	RIM BAND 10" 22MM	1
25	45009035000	BRAKE SHOES GARN.	1
27	45009030000	SUPPORTING PLATE CPL. FRONT	1
29	45009011000	DISTANCE TUBE FRONT	1
31	45110092000	WHEEL COVER CPL. 50SX LC 03	1
32	44011076305	CABLE TIE 300/4,8MM BLACK	7

05450090 / C064500900

* NEW PART

X AS REQUIRED

REAR WHEEL

50 MINI ADVENTURE 2006

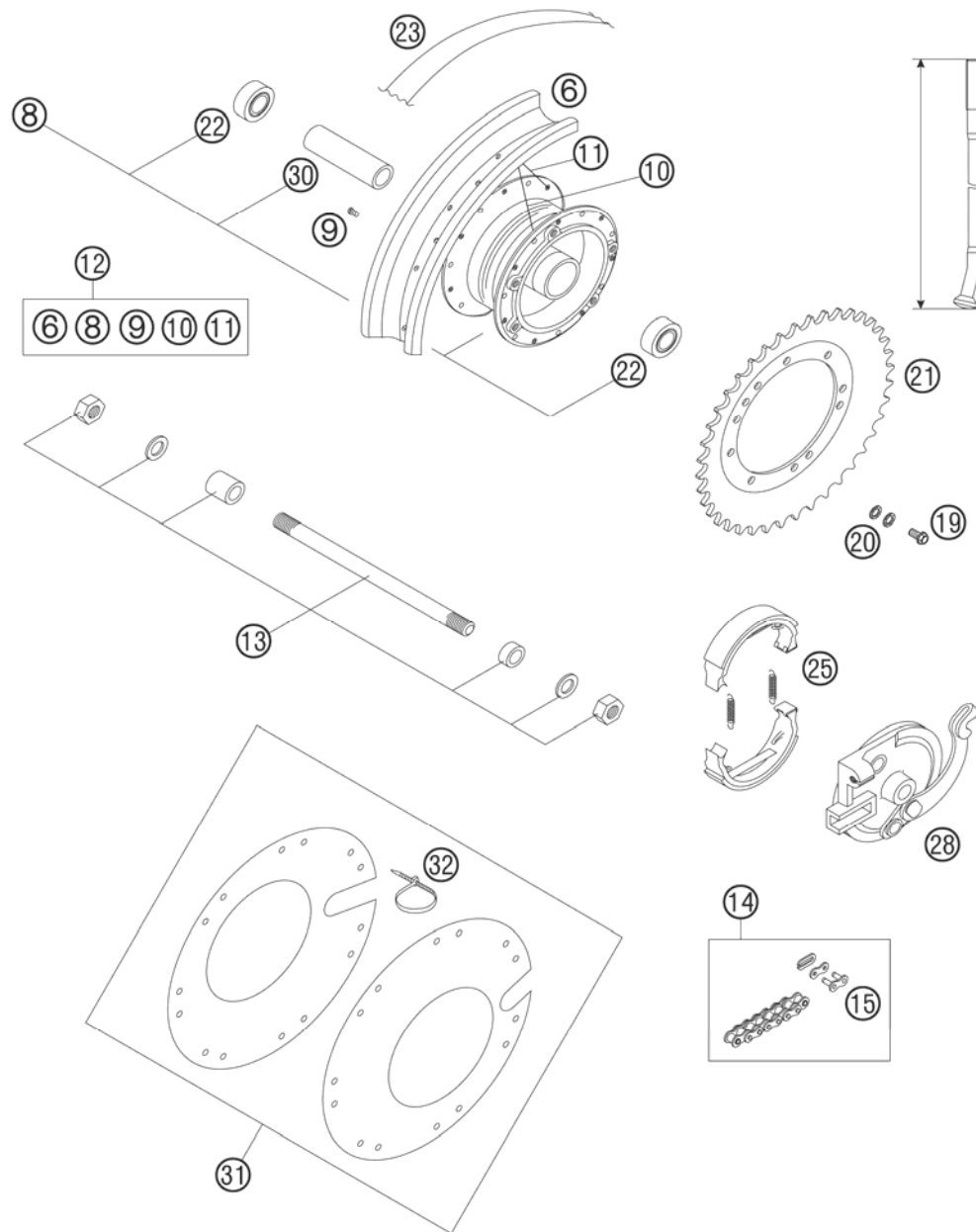


FIG	PART NUMBER	DESCRIPTION	QTY
6	45009070000	RIM 1,50X10" STEEL	1
8	45110010044	REAR WHEEL HUB CPL. 2003	1
9	45109072000	SPOKE NIPPLE 3MM	28
10	45010071200	SPOKE 3X72X4,2MM-100°	14
11	45010171200	SPOKE 3X72X5MM-65°	14
12	45110001244	REAR WHEEL-SP CPL.1,5X10"STEEL	1
13	45010081000	AXLE REAR CPL. L=210MM	1
14	45110165104	CHAIN 1/2X3/16" WITH M.LINK 104 ROLLS	1
15	45110166000	CONNECTING LINK 50 SX	1
19	0015060163	HH COLLAR SCREW M 6X16 WS=8	5
20	50233041000	PAIR OF WASHERS M 6 NORDLOCK	5
21	45010051044	SPROCKET 44-T	x
21	45010051045	SPROCKET 45-T	x
21	45010051046	SPROCKET 46-T	x
21	45010051048	SPROCKET 48-T	1
22	0625060016	GROOV.BALL BEAR. 6001.2RSR C3	2
23	45009073000	RIM BAND 10" 22MM	1
25	45009035000	BRAKE SHOES GARN.	1
28	45010030000	SUPPORTING PLATE CPL. REAR	1
30	45010011000	DISTANCE TUBE REAR	1
31	45110092000	WHEEL COVER CPL. 50SX LC 03	1
32	44011076305	CABLE TIE 300/4,8MM BLACK	7

05450100 / C064501000

* NEW PART

X AS REQUIRED

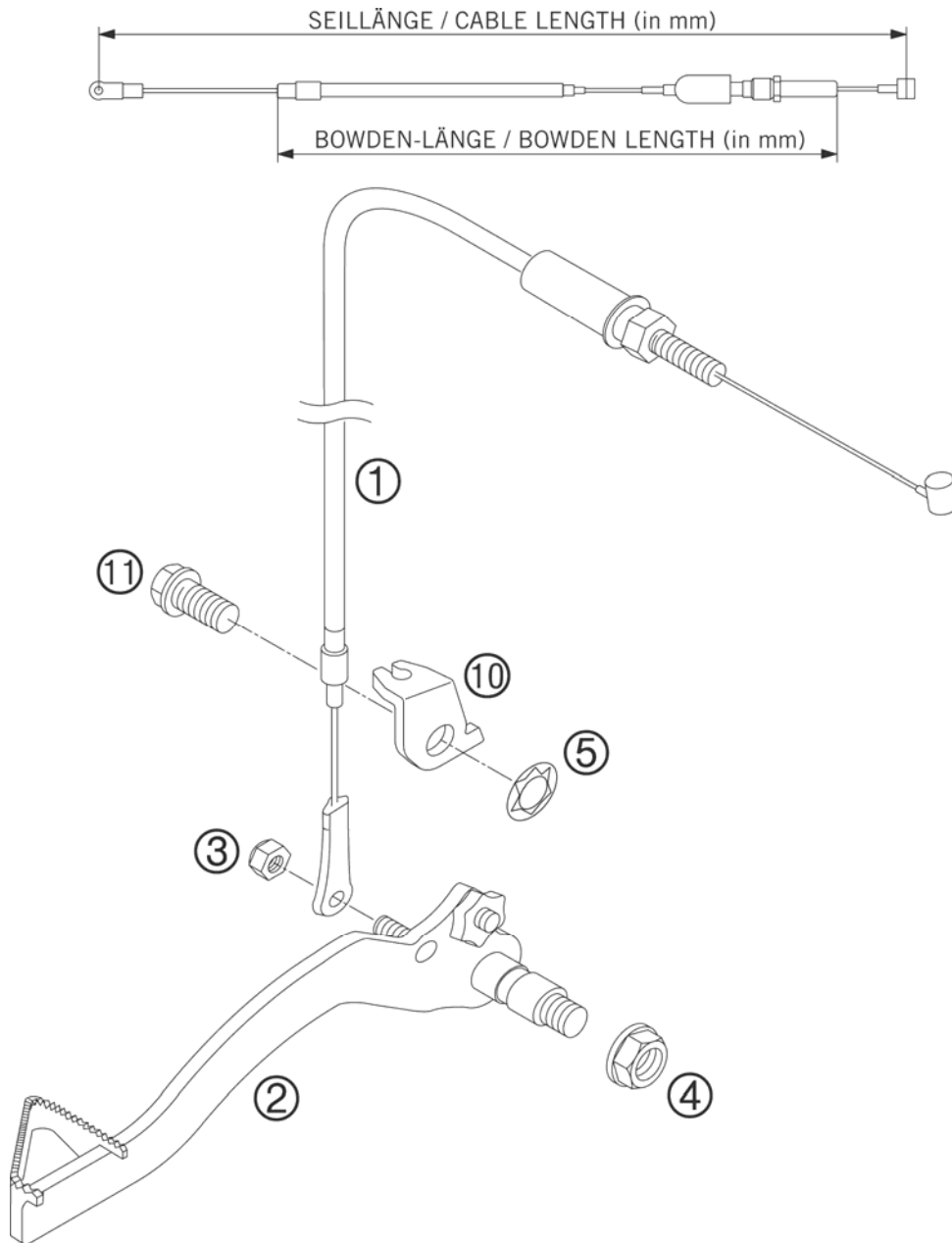
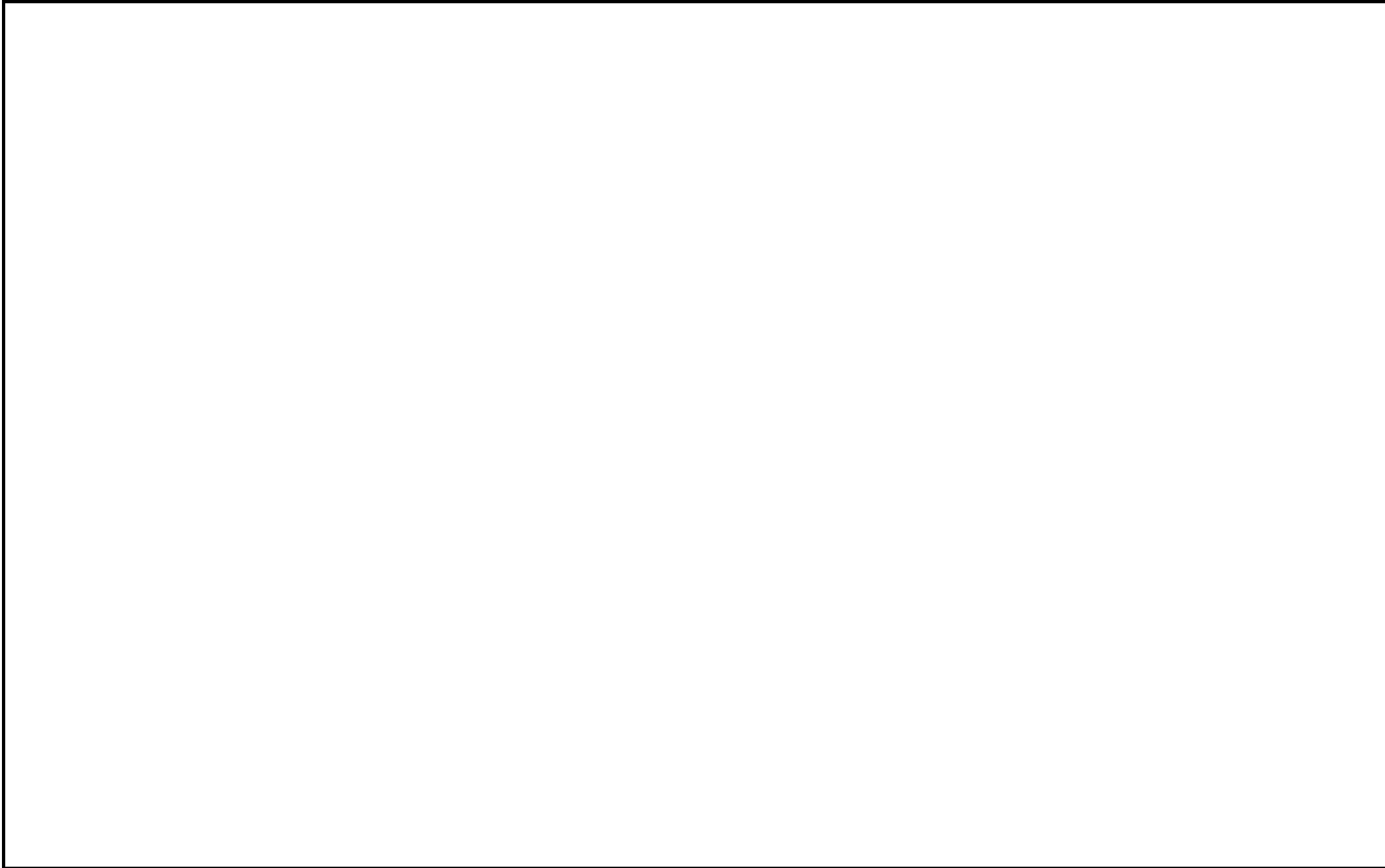


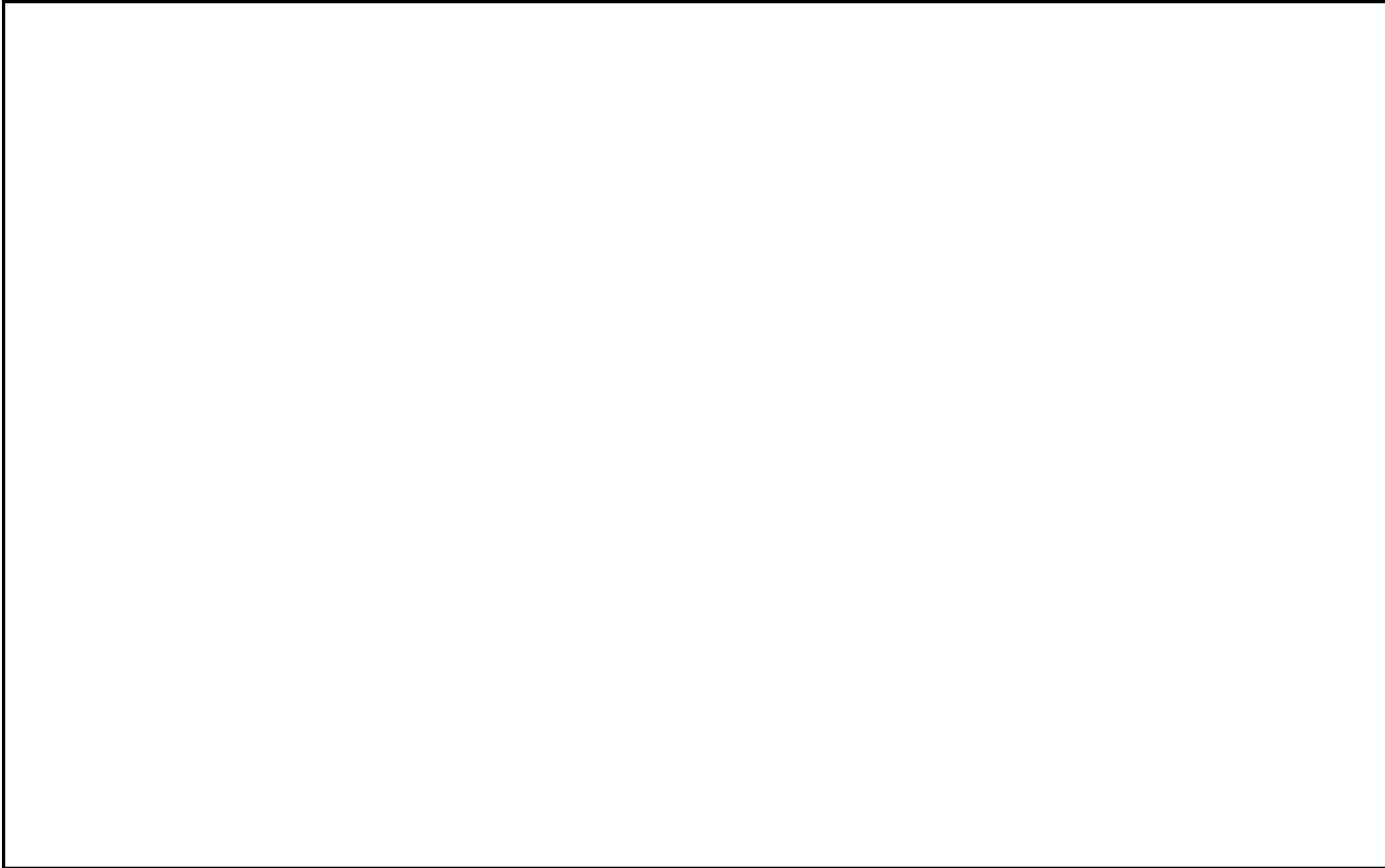
FIG	PART NUMBER	DESCRIPTION	QTY
1	45113070300	FOOT BRAKE CABLE REAR 720/570	1
2	45113050044	FOOT BRAKE LEVER CPL. 2001	1
3	0985050003	SELF LOCKING NUT DIN0985-M 5	1
4	54310086200	SELF LOCKING NUT M8 10.9	1
5	0797080003	TOOTHLOCK WASHER DIN6797-J 8,4	1
10	45113052000	BRAKE THRUST BEARING MINI 2001	1
11	0015080163	HH COLLAR SCREW M 8X16 WS=10	1

05450120 / C064501200

* NEW PART

X AS REQUIRED







3CF6001F5EN

Art.Nr.: 3CF6001F5EN 6/2005



KTM-Sportmotorcycle AG
A-5230 Mattighofen
www.ktm.at

Free Manuals Download Website

<http://myh66.com>

<http://usermanuals.us>

<http://www.somanuals.com>

<http://www.4manuals.cc>

<http://www.manual-lib.com>

<http://www.404manual.com>

<http://www.luxmanual.com>

<http://aubethermostatmanual.com>

Golf course search by state

<http://golfingnear.com>

Email search by domain

<http://emailbydomain.com>

Auto manuals search

<http://auto.somanuals.com>

TV manuals search

<http://tv.somanuals.com>