

Use & Care Guide



Outdoor Gas Smoker

Kenmore Model Number: 125.15884801



ENGLISH
ESPAÑOL

NOTICE TO INSTALLER:

LEAVE THESE INSTRUCTIONS WITH THE GRILL OWNER FOR FUTURE REFERENCE.

NOTICE TO CONSUMER:

RETAIN THIS OWNER'S MANUAL FOR FUTURE REFERENCE.

Customer Support Center

Call us first if you have any problem with this product. We can help you with questions about assembly and grill operation or if there are damaged or missing parts when you unpack this unit. Please call before returning to the store.

1-800-848-8915

8:30am-5:00pm CST, Mon thru Friday

In the space below, record the model and serial numbers and purchase date of your Outdoor Gas Smoker. You will find the model and serial numbers on the back of the unit.

Model No. _____

Serial No. _____

Purchase Date _____

Keep this booklet and your Sears sales receipt in a safe place for future reference.

TABLE OF CONTENTS

Warranty Information	2
Important Safety Warnings	2-4
Product Features	4
Carton Contents	4-6
Assembly Instructions	7-13
Connecting the LP Tank	14-15
Operating Instructions	15-16
Lighting Procedures	16-17
Cooking Instructions	17
Temperature Chart	18
After Use Safety and Maintenance	18-19
Storage	19
Troubleshooting	19

- ⚠ DANGER:** Indicates an imminently hazardous situation which, if not avoided, will result in death or serious injury.
- ⚠ WARNING:** Be alert to the possibility of serious bodily injury if the instructions are not followed. Be sure to read and carefully follow all of the messages.
- ⚠ CAUTION:** Indicates a potentially hazardous situation which, if not avoided, may result in minor or moderate injury.

Kenmore One-Year Full Warranty

If this Kenmore smoker fails due to a defect in material or workmanship within one year from the date of purchase, call 1-800-4-MY-HOME® to arrange for free repair (or replacement if repair proves impossible).

This warranty excludes smoker part paint loss or surface rusting, which are either expendable parts or conditions that can result from normal use, accident or improper maintenance.

This warranty is void if this smoker is ever used for commercial or rental purposes.

This warranty gives you specific legal rights, and you may also have other rights which vary from state to state.

**Sears, Roebuck and Co.,
Hoffman Estates, IL 60179**



DANGER



If you smell gas:

1. Shut off gas to the appliance.
2. Extinguish any open flames.
3. Open door.
4. If odor continues, keep away from the appliance and immediately call your fire department.

Failure to follow these instructions could result in fire or explosion which could cause property damage, personal injury or death.



DANGER



1. Never operate this appliance unattended.
2. Although minimum clearance is 36 inches (92 cm), we strongly recommend that you do not operate this appliance within 10 ft. (3.0 m) of any structure, combustible material or extra LP gas cylinders not attached to the appliance.
3. Never operate this appliance within 25 ft (7.5 m) of any flammable liquid.
4. Never allow oil or grease to get hotter than 400°F or 200°C. If the temperature exceeds 400°F (200°C) or if oil begins to smoke, immediately turn the burner or gas supply OFF.
5. Heated liquids remain at scalding temperatures long after the cooking process. Never touch cooking appliance until liquids have cooled to 115°F (45 °C) or less.
6. If a fire should occur, keep away from the appliance and immediately call your fire department. Do not attempt to extinguish an oil or grease fire with water.

Failure to follow these instructions could result in fire or explosion which could cause property damage, personal injury or death.

IMPORTANT SAFETY WARNINGS

WE WANT YOU TO ASSEMBLE AND USE YOUR SMOKER AS SAFELY AS POSSIBLE.

THE PURPOSE OF THIS SAFETY ALERT SYMBOL  IS TO ATTRACT YOUR ATTENTION TO POSSIBLE HAZARDS AS YOU ASSEMBLE AND USE YOUR SMOKER.

WHEN YOU SEE THE SAFETY ALERT SYMBOL  PAY CLOSE ATTENTION TO THE INFORMATION WHICH FOLLOWS!

 READ ALL SAFETY WARNINGS AND INSTRUCTIONS CAREFULLY BEFORE ASSEMBLING AND OPERATING YOUR SMOKER.

WARNING

- This instruction manual contains important information necessary for the proper assembly and safe use of the appliance.
- Read and follow all warnings and instructions before assembling and using the appliance.
- Follow all warnings and instructions when using the appliance.
- Keep this manual for future reference.
- DO NOT use this smoker in a manner other than its intended purpose. It is NOT intended for commercial use. It is NOT intended to be installed or used in or on a recreational vehicle and/or boats. The smoker is not to be used as a heater.
- Keep a fire extinguisher accessible at all times.
- The use of alcohol, prescription or non prescription drugs may impair the user's ability to properly assemble or safely operate the smoker.
- This smoker is for outdoor use only, in a well-ventilated area. DO NOT operate the smoker indoors, in a garage, or in any other enclosed area or under overhead construction.
- Use caution when assembling and operating the smoker to avoid cuts and scrapes from rough or sharp edges.
- Use caution when lifting and moving the smoker to avoid strains or back injury. Two people are recommended to lift or move the smoker. DO NOT move the smoker while it is in use.
- DO NOT operate the smoker near or under flammable or combustible materials such as decks, porches, or carports. A minimum clearance of 36 inches (92cm) is recommended. DO NOT operate the smoker under overhead construction.
- Operate the smoker only on a stable, level, non-flammable surface such as asphalt, concrete or solid ground. DO NOT operate the smoker on flammable material such as carpet or a wood deck.
- DO NOT store the smoker near gasoline or other combustible liquids or where combustible vapors may be present.
- DO NOT store or operate this smoker in an area accessible to children or pets. Store the smoker in a dry, protected location.

WARNING

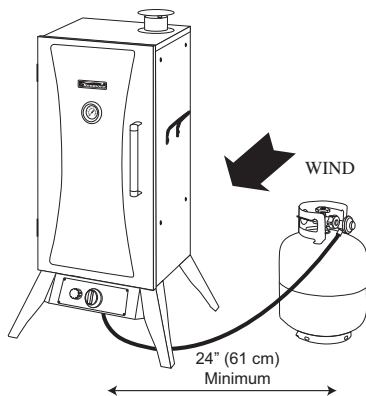
- DO NOT leave the smoker unattended while in use. Operate the smoker with close supervision.
- DO NOT allow anyone to conduct activities around the smoker during or following use until it has cooled. It is hot during operation and remains hot for a period of time following use.
- DO NOT leave hot ashes unattended until the smoker cools completely.
- DO NOT move the smoker while it is in use. Allow the smoker to cool completely before moving or storing.
- This smoker becomes extremely hot - allow the smoker to cool completely before handling. If you must handle the smoker while it is hot, ALWAYS wear protective oven mitts or heat resistant gloves when handling the smoker or its components.
- NEVER use gasoline or other highly volatile fluids as a starter. They can explode.
- The water bowl and woodchip box should not be moved while the smoker is operating or until the smoker has cooled sufficiently. These contain hot ashes and liquids that may cause serious injury. If you must move these components, ALWAYS wear protective oven mitts or heat resistant gloves.
- Dispose of cold ashes by wrapping them in heavy duty aluminum foil and putting them in a non combustible container. Be sure there are no other combustible materials in or near the container.
- If you must dispose of the ashes in less time than it takes for them to completely cool, remove the ashes from the smoker, keeping them in heavy duty foil, and soak them completely with water before disposing of them in a non combustible container.
- DO NOT obstruct the flow of combustion air and/or ventilation air for the smoker.
- Use caution when opening the door of the smoker while in operation. Keep hands, face, and body safe from hot steam or flare-ups. Protect your nose and mouth from smoke inhalation.
- DO NOT wear loose clothing while operating the smoker. Tie back long hair while operating the smoker. ALWAYS wear fully-covering shoes while operating the smoker.
- Allow the smoker and its components to cool completely before conducting any routine cleaning or maintenance.
- NEVER use glassware, plastic, or ceramic cookware on or in your smoker.
- NEVER operate the smoker without water in the water bowl. NEVER allow the water to completely evaporate. Check the water level at least every 2 hours. A sizzling sound may indicate a low water level. Follow instructions in this manual for adding water while operating.
- When using flavoring wood, add a sufficient amount prior to operation to avoid having to add wood while operating. Adding wood while operating may splash hot water and cause serious injury.
- Use of accessories not intended for this smoker is not recommended and may lead to injury or property damage.



WARNING

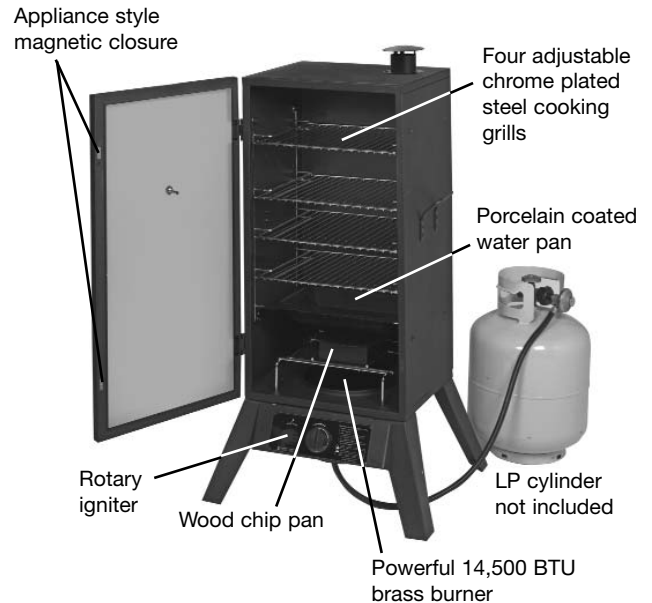


- An LP cylinder not connected for use should not be stored in the vicinity of the smoker or any other appliance. **DO NOT** store spare LP cylinders within 10 feet of the smoker. LP cylinders must be stored outdoors, out of reach of children. **DO NOT** store LP cylinders in a building, garage, or any other enclosed area.
- **DO NOT** store LP gas cylinders inside or on top of the smoker. Improper storage of cylinders could lead to explosion, fire, and/or personal injury. Cylinders are to be stored outdoors, out of reach of children and must not be stored in a building, garage, or any other enclosed area.
- While the smoker is not in use, the gas must be turned off at the supply cylinder.
- LP gasses are heavier than air, tend to pool and collect in low-lying areas, are easily ignited and are highly flammable. Proper care and caution should be employed when dealing with any such fuels.
- Do not use the smoker if the burner fails to light or fails to remain lit. Under such conditions, gas should be shut off and fuel cylinders should be disconnected.
- The smoker should be shut off and all supply valves (on piping or on fuel cylinders) should be closed in the event that the odor of unburned gas is detected. Do not attempt to use the unit until any gas leaks are fixed and/or the source of the unburned gas odor is accounted for.
- Use under high wind conditions that result in poor burner operation such as blowing out and flaring should be avoided. If repositioning the unit does not improve operation under such wind conditions, the unit should be shut off.
- All installations are to conform to local codes. In the absence of local codes, installation should conform to the National Fuel Gas Code, ANSI Z223.1/NFPA54.
- The smoker should be installed with the hose regulator assembly extended at full length of hose directly away from the burner (24" [61 cm] minimum). When so configured, placement results in maximum tank to smoker distance. When the smoker is operated, the hose/regulator and gas tank should be on a line perpendicular to wind direction. Placing tank closer than 24" (61cm) to the smoker can overheat the tank and cause release of propane through relief openings and can result in tank fire or explosion.



- The hose to tank attachment can result in a potential trip hazard and tank tipping hazard - use caution.
- Keep the fuel supply hose away from heated surfaces.

PRODUCT FEATURES



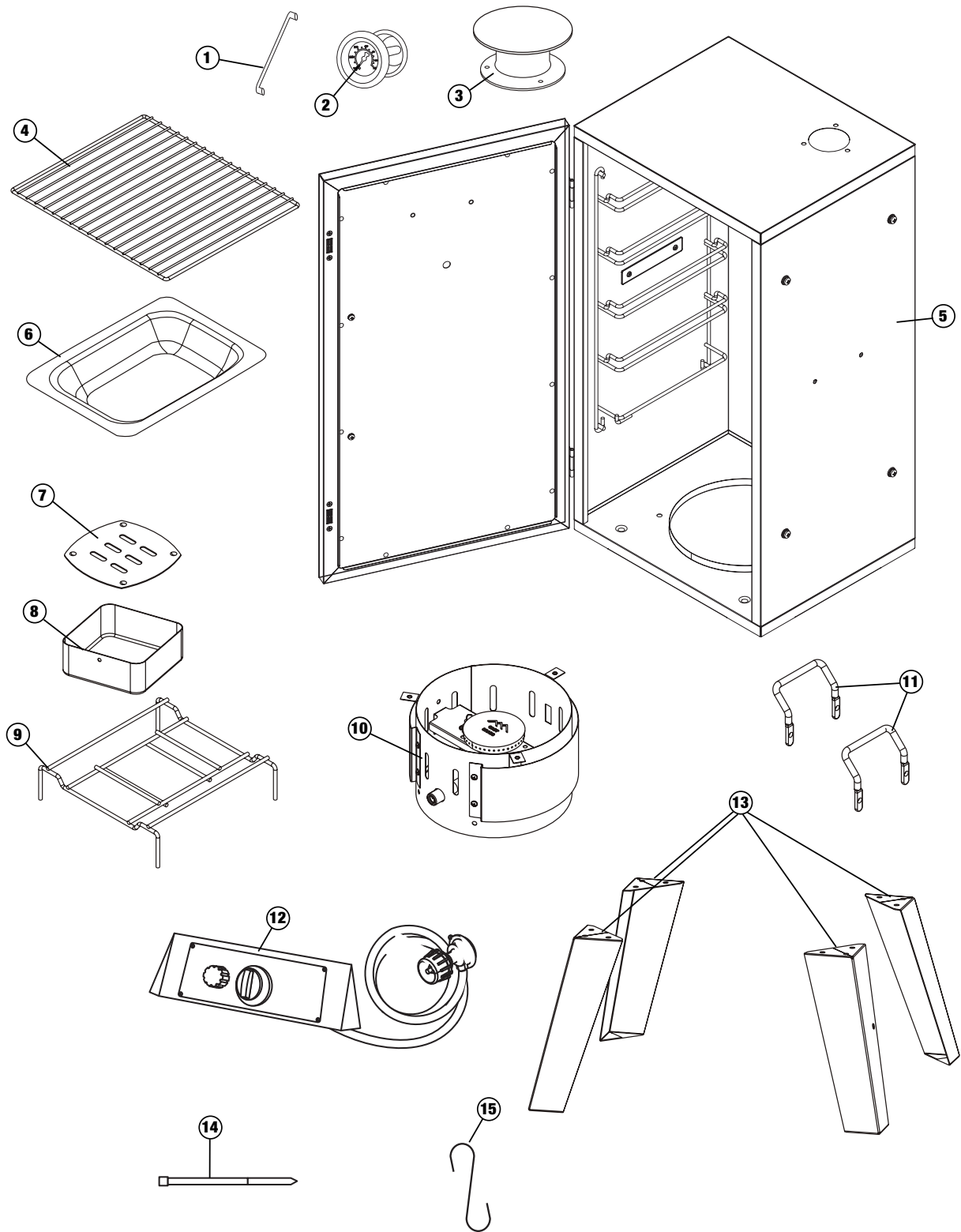
CARTON CONTENTS

Make sure you have all items listed under **CARTON CONTENTS** and **HARDWARE BAG CONTENTS** before you begin the assembly process.

Qty.

- | | | |
|---|---|----------------------------|
| ① | 1 | Door Handle |
| ② | 1 | Temperature Gauge Assembly |
| ③ | 1 | Smoke Stack |
| ④ | 4 | Cooking Grills |
| ⑤ | 1 | Smoker Body |
| ⑥ | 1 | Water Pan |
| ⑦ | 1 | Wood Chip Box Lid |
| ⑧ | 1 | Wood Chip Box |
| ⑨ | 1 | Wood Chip Box Rack |
| ⑩ | 1 | Burner Assembly |
| ⑪ | 2 | Side Handles |
| ⑫ | 1 | Control Panel Assembly |
| ⑬ | 4 | Legs |
| ⑭ | 1 | Zip Tie |
| ⑮ | 1 | S-Hook |
| | 1 | Use & Care Guide |
| | 1 | Hardware Bag |

PARTS DIAGRAM FOR MODEL 125.15884801

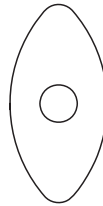


Inspect contents of the box to ensure all parts are included and undamaged.
If any parts are missing or damaged, call 1-800-848-8915.

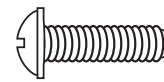
HARDWARE BAG CONTENTS

QUANTITY

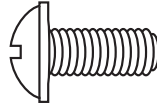
- 2 Heat Resistant Washers
(Door Handle)
- 7 M5 X 16 mm Bolts
- 15 M6 X 16 mm Bolts
- 2 M4 X 25 mm Bolts
- 3 M5 mm Nuts
- 3 #10 Washers
- 7 Gaskets



(2) Heat Resistant Washers
(Door Handle)



(7) M5 X 16 mm Bolts



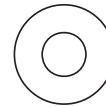
(15) M6 X 16 mm Bolts



(2) M4 X 25 mm Bolts



(3) M5 mm Nuts



(3) #10 Washers



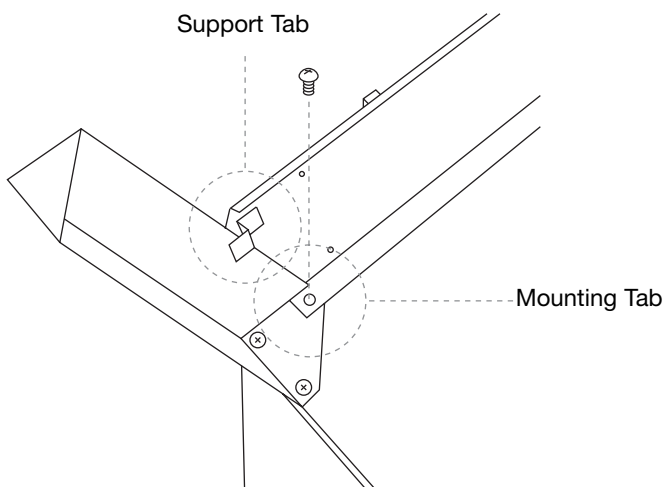
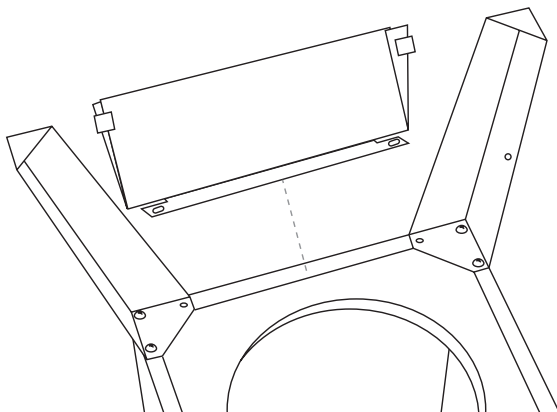
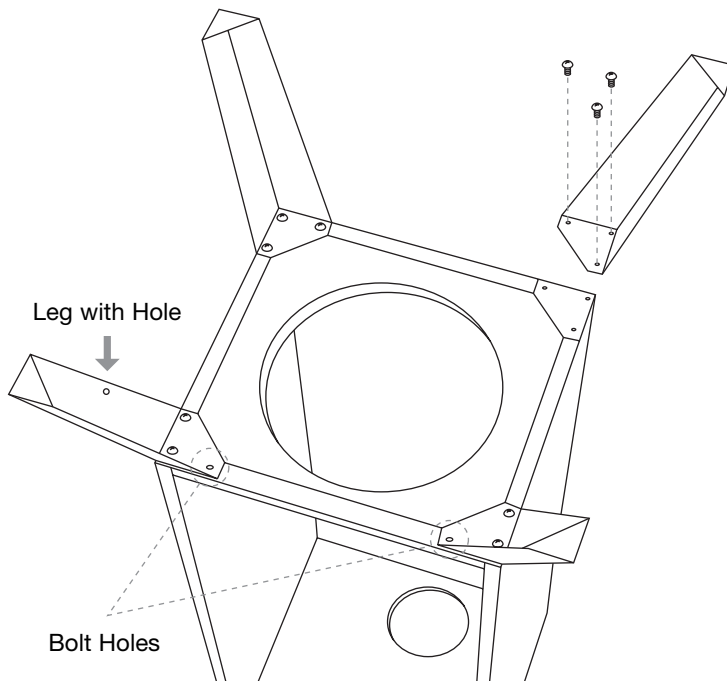
(7) Gaskets

ASSEMBLY

Choose a level, cleared assembly area and get a friend to help you put your smoker together. Lay cardboard down to protect smoker finish and assembly area.

CAUTION: Some parts may contain sharp edges. Wear protective gloves if necessary.

Note: With the help of a friend, turn the smoker cabinet upside down.



Step 1

Line up holes of leg and cabinet, and attach with M6 X 16 mm bolts; nuts are pre-welded to cabinet. Securely tighten bolts. Attach the leg with hole in the middle of the leg in the position indicated by the arrow in the figure (right front corner). DO NOT yet insert bolts in locations indicated by circles in figure.

Step 2

Place the Control Panel Assembly between the front legs as shown. There are slots on each side of the control panel that fit around the edges of the legs.

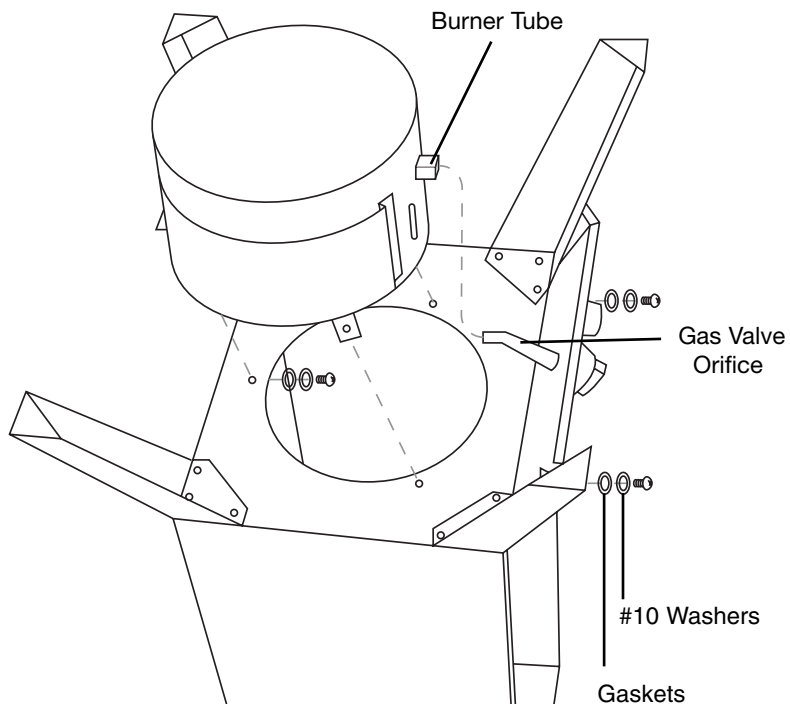
Step 3

The two mounting tabs fit to the inside of the legs and line up with the bolt holes. Be sure both the support tabs on the back side of the control panel are captured behind the legs as shown to the right. Insert the two remaining M6 X 16 mm bolts through the mounting tabs and tighten them securely.

Step 4

Set the burner assembly onto the cabinet as shown.

CAUTION: Make sure the valve gas orifice slides and fits into the burner tube.

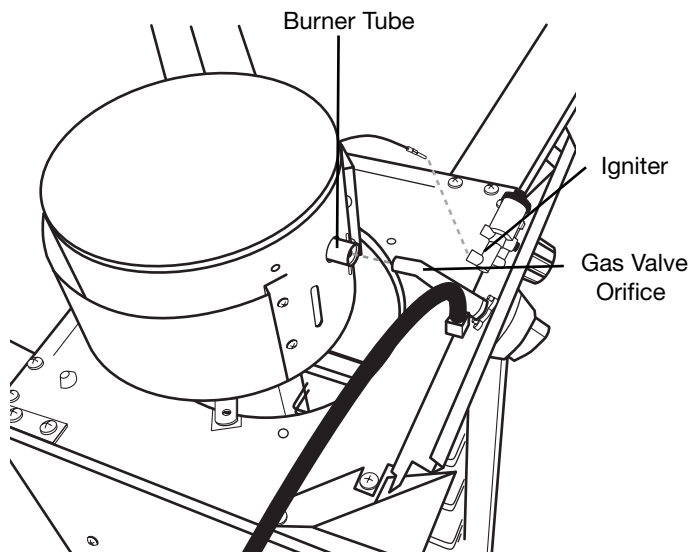


Step 5

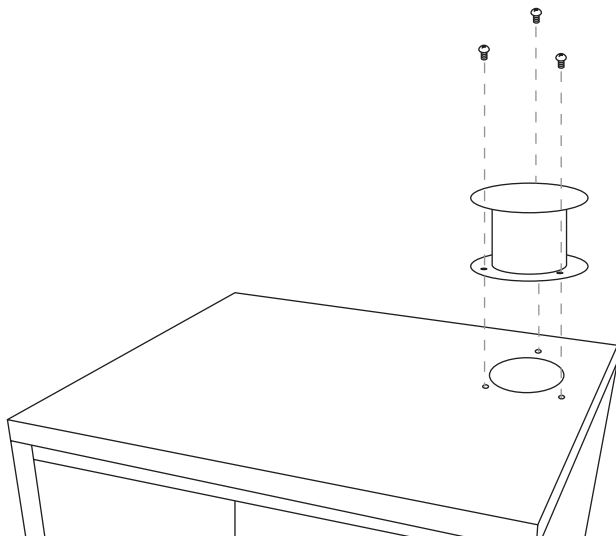
Secure the burner assembly with the three M6 X 16 mm bolts with #10 washers and gaskets from the inside of the cabinet. Securely tighten the bolts.

Step 6

Attach the loose igniter wire to the igniter on the control panel as shown.

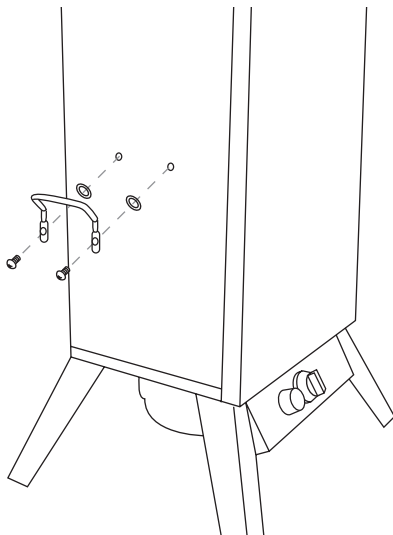


Note: With the help of a friend, turn the smoker body to its upright position.



Step 7

Set the smoke stack on top of the cabinet and line it up with the matching holes. Insert three M5 X 16 mm bolts through smoke stack base and into cabinet. Secure with three M5 mm nuts.

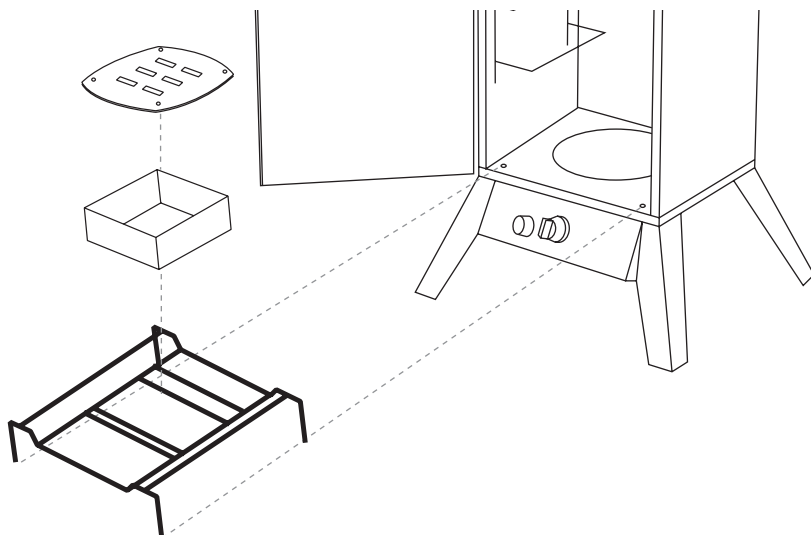


Step 8

Line up the side handle with the matching holes on each side of the cabinet as shown. The handles must be positioned upright with the bolt holes on the bottom as shown. Insert two M5 X 16 mm bolts and gaskets from the outside and thread into the holes in the side of the cabinet as illustrated. Tighten securely. Complete steps for both sides of the cabinet assembly.

Step 9

Insert the wood chip box rack into the bottom of the smoker. The feet of the rack sit in the four indentations in the bottom.

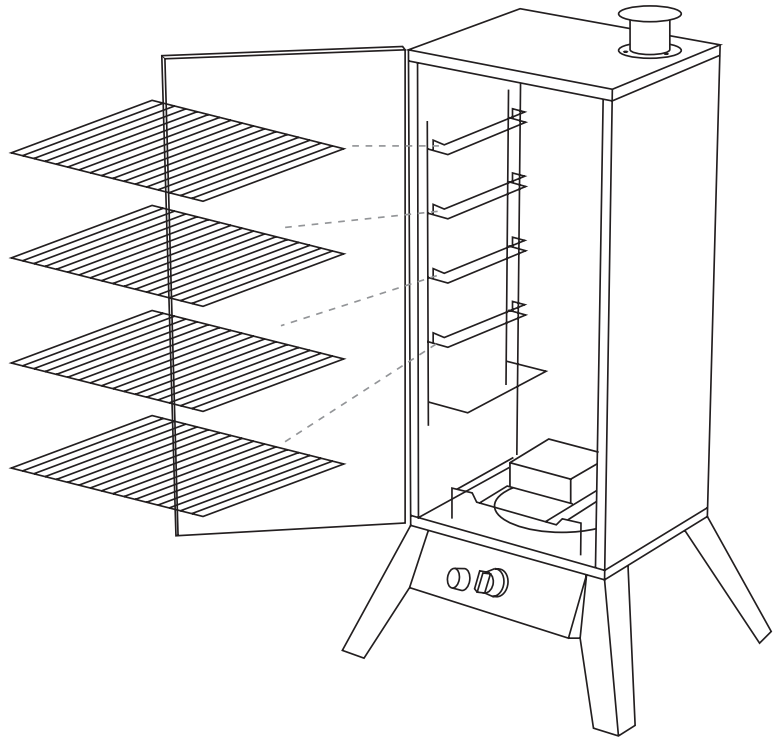


Step 10

Set the wood chip box onto the rack. Make sure it is seated properly and securely in the center of the rack. Place the lid on the wood chip box.

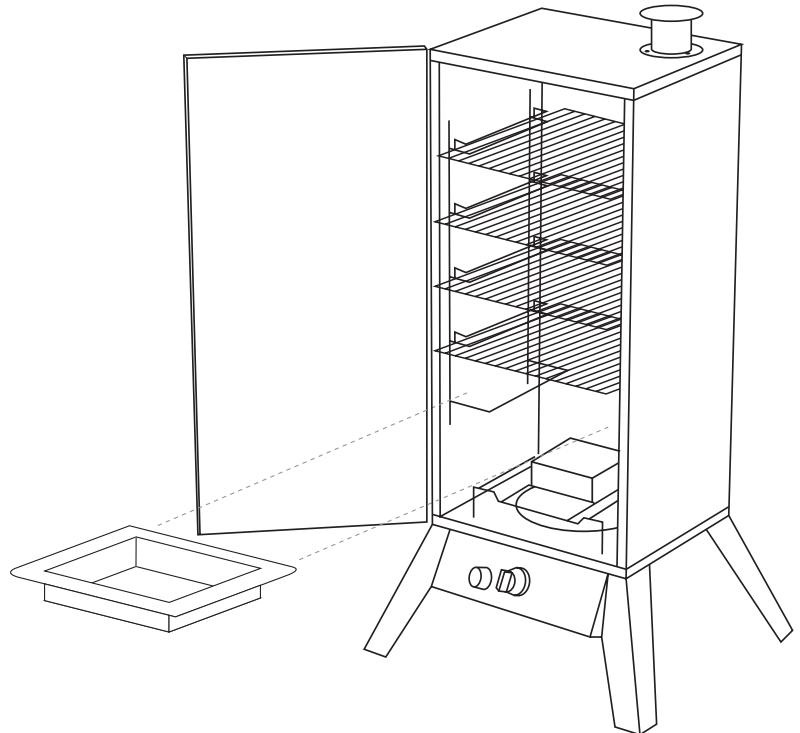
Step 11

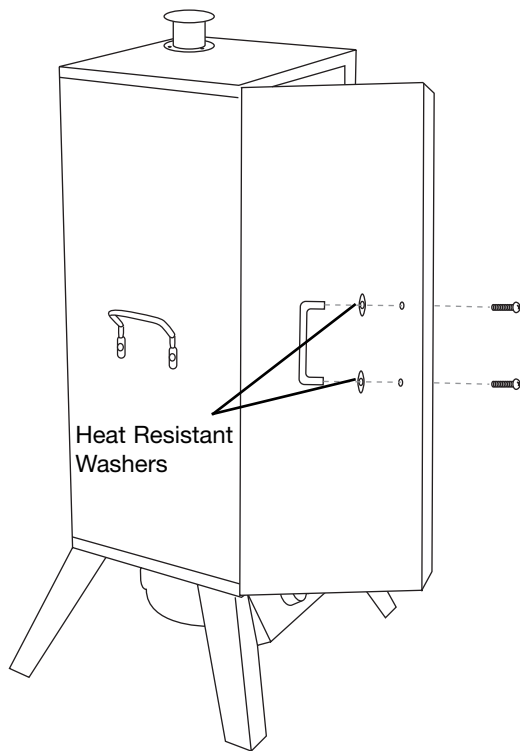
Insert all cooking grills into rack supports respectively as shown. Make sure each cooking grill is firm and level.



Step 12

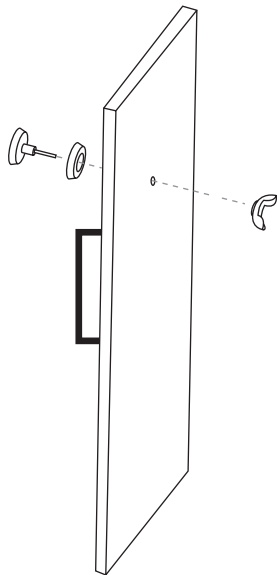
Slide the water pan into the bottom rack position as shown. Make sure water pan is firm and level.





Step 13

Mount the door handle with two M4 X 25 mm bolts and two heat resistant washers. Insert each bolt through the door from the inside. From the outside place a heat resistant washer over each bolt. Then thread the bolts into the handle. Tighten each bolt securely.

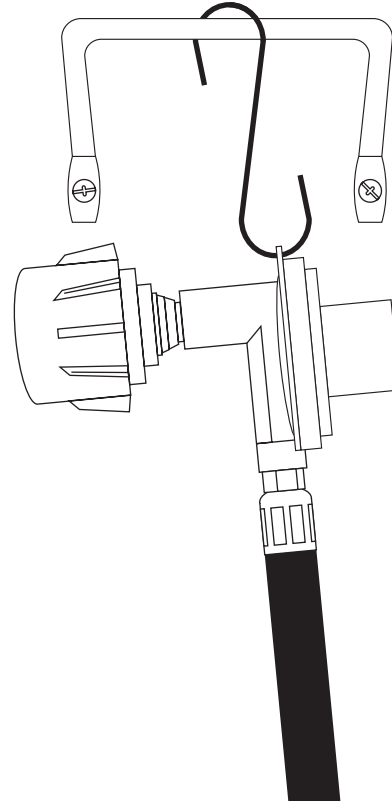


Step 14

Insert the temperature gauge with bezel through the mounting hole in the front of the door. Place a wing nut onto the temperature gauge stem from the inside of the door panel and tighten it firmly.

Step 15

Place one end of the S-Hook through the hole on the side of the regulator as shown.

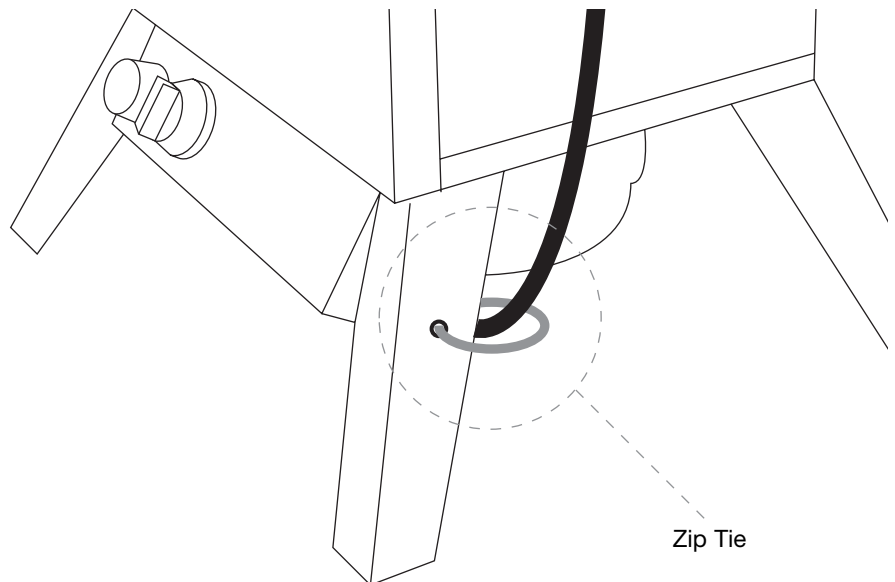


Step 16

When an LP tank is not attached to the smoker, use the S-Hook to hang the hose/regulator from the carry handle on the side of the smoker. This will help prevent dirt and other particles from plugging the end of the assembly.

Step 17

Using a zip tie, secure the hose to the front leg as shown. Do not pull the zip tie tight, leave it just loose enough so that the hose can be adjusted if needed. Tying the hose to the leg helps prevent the hose from coming into contact with the hot burner chamber. Inspect the installation underneath the smoker to ensure that the hose is not rubbing any portion of the burner chamber.





Gas Smoker Assembled

CONNECTING THE LP TANK

WARNING

ALL INSTRUCTIONS AND SAFEGUARDS ON THIS PAGE MUST BE FOLLOWED TO PREVENT FIRE, DAMAGE, AND/OR INJURY.

1. The knob on the LP tank must be closed. See that the knob is turned clockwise to a full stop.
 2. Check that control knob on the smoker is turned off.
 3. Remove the protective cap from the LP tank valve and coupling nut, if present.
 4. Hold the regulator in one hand and insert the nipple into the valve outlet. Be sure the nipple is centered in the valve outlet. The coupling nut connects to the large outside threads on the valve outlet.
- Note: Use care - do not cross thread the connection.
5. Hand tighten the coupling nut clockwise until it comes to a full stop. Firmly tighten by hand only. Do not use tools.



CAUTION: In the connection process, the hose/regulator side of the connection will seal on the back check in the valve, resulting in a slight resistance. The connection requires about one-half to three-quarters additional turn to complete the connection.

Any fuel supply cylinder used must be constructed and marked in accordance with specifications for propane cylinders of the U.S. Department of Transportation (DOT) CFR 49, or CAN/CSA B339. The appliance is to be used only with the 20 pound, vertical standing vapor withdrawal type tank.

WARNING

- Do not store tanks under or near the smoker.
- Never fill tanks more than 80% full.

If the two previous statements above are not followed exactly, a fire causing death or serious injury may occur.

- This smoker is designed to operate on LP (Liquefied Propane) gas only.
- DO NOT leave the smoker unattended while in use. Operate the smoker with close supervision.

The 20 lb LP cylinder used with this smoker must conform to the following requirements.

Diameter - 12" (30.5 cm)

Height - 18" (45.7 cm)

Maximum capacity - 20 lbs. (9.1 kg)

The gas cylinder used must include a collar to protect the cylinder valve. The cylinder supply system must be arranged for vapor withdrawal.

The instructions stated on gas cylinder tanks have to be followed when filling or transporting tanks. Failure to do so could result in problems relating to overfilling, excessive venting release of gas and to regulator freezing.

Do not allow dirt or foreign material to get into or onto tank connection when it is not attached to the fuel supply system. Place the dust cap on cylinder valve outlet whenever the cylinder is not in use. Only install the type of dust cap on the cylinder valve outlet that is provided with the cylinder valve. Other types of caps or plugs may result in leakage of propane.

Cylinders must be filled before initial use. All handling, transport, filling and storage of LP gas cylinders must be in accordance with NFPA 58 Storage and Handling of Liquid Petroleum Gases, or CSAB 149.1 Natural Gas and Propane Installation Code. Cylinders must be suitably tied down during transport. Do not place any other items on top of cylinders at any time. Cylinders are not to be exposed to excessive temperatures or high heat.

If there is a question on the identity of your unit and of the type of fuel to be used, please look on the data plate. Units are factory equipped for use on only one type of fuel. These units cannot be, and should not be used on other type of fuels. Doing so can cause severe damage to the unit and the installation area and the added risk of serious injury. Any attempt to operate these smokers on fuels for which they are not design certified voids the manufacturer's warranty.

Gas Tank outlet must have Type 1 gas connection termination in order to mate with gas hose provided with smoker.

The pressure regulator and hose assembly supplied by the manufacturer with the appliance must be used. In order to insure proper operation, any replacement of the fuel tank regulator must be done with identical replacement parts. Call 1-800-848-8915 for replacement parts.

OPERATING INSTRUCTIONS

PRE-USE PROCEDURES

Before you cook food in your smoker, it is important to “season” your smoker. Seasoning seals the paint and interior of your smoker to enhance flavoring, durability, and overall performance. This is also referred to as the “break-in” process.

If your smoker requires any touch-up paint on the inside of the cabinet, the only time you should apply paint to the inside is before the seasoning process. Paint should not be applied to the interior of your smoker after your smoker has been used. Paint toxins may contaminate your food. However, if paint becomes necessary after use, see the section in this manual concerning After Use Care and Maintenance.

To season your smoker, simply use it as you normally would; only do not cook any food. You will need to follow all of the operating procedures in the next few sections of this manual.

Using your desired flavoring woods and marinades, burn your smoker at low temperature (around 125°F [50°C]) for 45-60 minutes. Let the smoker cool, and clean out the used water and wood.

Once seasoning is complete, your smoker’s interior will have a durable, seasoned coating.

ADDING WATER

To add water before cooking, simply remove the water bowl and fill it with water up to 1” (2.5cm) below the rim. Then replace the bowl to the bottom of the rack.

To add water while the smoker is hot, DO NOT pull the water bowl out beyond the rack.

Cooking Tips:

Line the water bowl with aluminum foil before each use. This will make it easy to clean and help your water bowl last longer.

To make adding water easier and safer, use a clean watering can with a long spout.

The regulator/hose assembly should be handled carefully to prevent contamination by foreign objects and dirt. Clean and inspect the hose before each use of the appliance. If there is evidence of abrasion, wear, cuts or leaks, the hose must be replaced prior to the appliance being put into operation. In order to insure proper operation, any replacement of the fuel tank regulator must be done with identical replacement parts. Call 1-800-848-8915 for replacement parts.

This unit is not to be utilized with a non-self-contained LP-gas supply system.

Valve/pressure regulators are factory set to the correct operating pressures. No attempts should be made to adjust these settings!

CHECKING FOR LEAKS

After all connections are completed, check all connections and fittings for leaks with a soap solution.

- With all valves closed, apply the leak check solution (50/50 mix of dishwashing detergent and water) to all gas carrying connections, fittings and to tank seams.
- Open tank valve.

Presence of bubbles at areas of wet solution indicates a gas leak. If leaks are detected or you smell or hear gas, shut off the valve and repair the leak or replace the defective part. Do not use the smoker until all leaks are corrected.

When setting up the smoker and tank, it is recommended to have the tank and smoker on a line perpendicular to the wind direction.

The gas hose/regulator assembly should be totally extended to the maximum distance so that the hose is straight and the tank is as far from the smoker as it can be.

LP tanks are intended for operation in the upright position only.

Care should be taken to protect the fuel supply hose from damage from either foot or vehicle traffic.

If the appliance is not in use, the gas must be turned off at the supply cylinder and the cylinder should be disconnected from the appliance.

Storage of the appliance indoors is only permissible if the cylinder is disconnected and removed from the appliance.

ADDING WOOD/CHARCOAL

To add wood chips before cooking, simply fill the wood chip box with your choice of flavoring hardwood chips. The amount and type of wood you use is entirely up to you. One full box is typically enough for several hours of smoking. Once the box is filled, place the lid on top of the box and set the box in the smoker.

To add wood chips while cooking, we recommend using tongs or long handled pliers to remove the box lid and to place the pieces into the wood chip box without removing the box. It is not recommended to remove the wood chip box while the smoker is in operation.



CAUTION: The wood chip box and lid get very hot. Avoid handling them while in use. Always wear protective oven mitts when handling hot components.

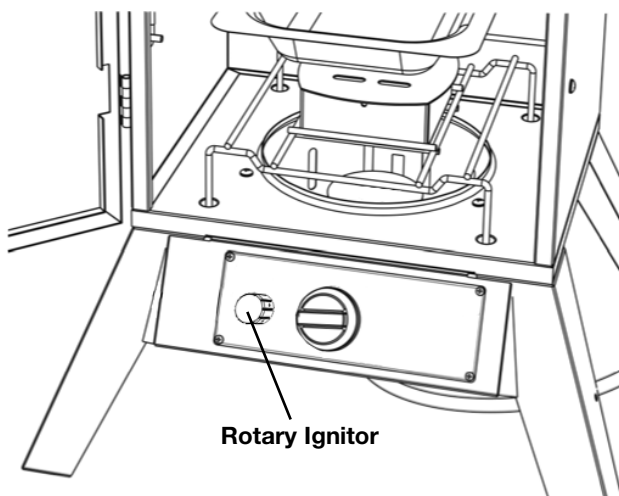
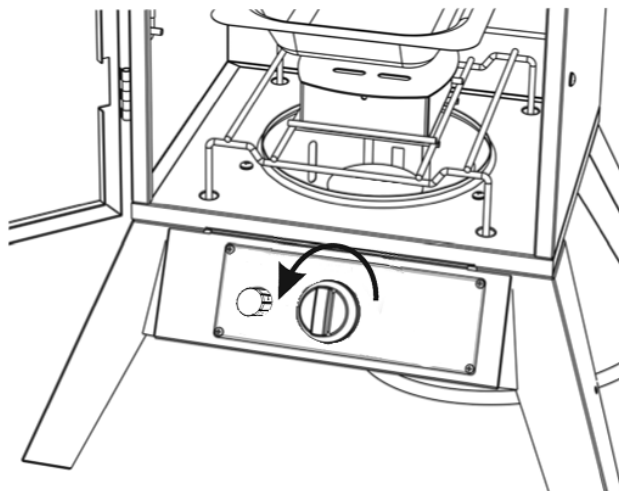
Cooking Tip – Flavoring wood:

- Small wood chips work best inside the wood chip box.
- Use dry hardwoods such as hickory, pecan, apple, cherry, or mesquite.
- Most fruit or nut tree woods produce excellent smoke flavoring.
- Do not use resinous woods such as pine or plywood. These usually produce unpleasant flavoring.
- Let your taste be your guide – experiment with different types and quantities of wood chunks, chips, or sticks. You can even mix woods.
- To produce more smoke and to prevent fast burning, pre-soak the wood chips in a separate bowl of water for at least 20 minutes, or wrap the chips in perforated aluminum foil.
- Most smoke flavoring occurs within the first hour of cooking. Adding wood chips after the first hour is typically not necessary unless extra smoke flavoring is desired.

LIGHTING PROCEDURES

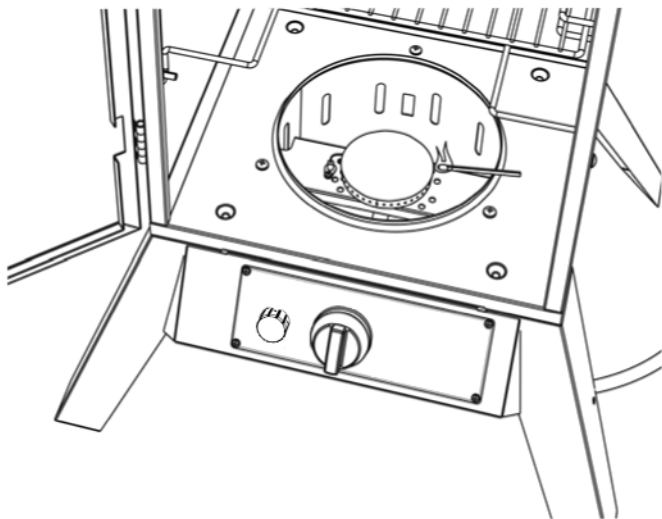
IGNITER LIGHTING SYSTEM:

1. Perform leak test at least twice yearly or after connecting propane tank. Check all connections for leaks using the “soapy water” test as explained on page 15.
2. Open the smoker cabinet door.
3. Check for any blockage to the burner. Remove any foreign objects or matter.
4. Be sure the burner control knob is in the “OFF” position.
5. Open the LP cylinder valve by turning counter-clockwise.
6. To light unit with the igniter, push in and turn the burner control knob counter-clockwise to the high setting.
7. Immediately rotate the igniter repeatedly to click it several times (you should see a small spark jumping from the end of the electrode rod to the side of the burner). If the burner doesn’t light within 5 seconds, turn the burner control knob off and wait five minutes for gas to clear before repeating the steps again. If burner still fails to light try match lighting the smoker using the instructions noted below.
8. Once the burner is lit, then close the door to allow heat to accumulate.



MATCH LIGHTING:

1. Repeat steps 1 thru 5 of the Igniter Lighting System above.
2. Remove the Wood Chip Box and its stand from inside the smoker. Light a paper match and drop it into the burn chamber, making sure it falls next to the brass burner. Quickly turn the control knob to the high setting. If the burner does not light within 5 seconds, turn the control knob off, wait 5 minutes for gas to clear, and repeat the process.



SHUTTING THE SMOKER OFF

⚠ CAUTION: The smoker can become very hot while in use. Do not touch any portion of the smoker except for the door handle and burner control knob. It may be necessary to use protective gloves.

- Turn the burner control knob off by pushing in and rotating clockwise. The burner flame should then go out.
- Turn off the LP cylinder valve by turning the knob clockwise until it stops.
- Follow all warnings and safety precautions before removing meat from smoker or preparing the unit for storage. Please see page 16 for proper storage procedures and the important warnings and safeguards on pages 2 and 4.

COOKING INSTRUCTIONS

IMPORTANT: Before each use, clean and inspect the hose and the connection to the LP cylinder. If there is evidence of abrasion, wear, cuts or leaks, the hose must be replaced before the smoker is used. Refer to the "leak test" instructions in the LP Tank connection portion of this manual.

- Fill the wood chip box with flavoring wood chips and place the box inside the smoker as instructed in the assembly section of this manual. Also, refer to Cooking Tips for Flavoring Wood in Operating Instructions section.
- Place the water bowl inside the smoker in the lowest rack position as explained in the assembly section of this manual. Carefully fill the water bowl with water or marinade up to 1 inch below the rim. A full bowl will last for approximately 2-3 hours. Do not overfill or allow water to overflow from the water bowl.
- Insert or adjust the cooking grills in to the desired rack positions. For better access to the food with tongs or spatulas, make sure the grill wires run front to back as explained in the assembly section of this manual.
- You are now ready to light the burner. Refer to the Lighting Procedure on the previous pages of this manual. The heat from the burner will allow the wood chips to burn, causing the flavoring smoke to accumulate.
- Place the food on the cooking grills in a single layer with space between each piece. This will allow smoke and hot moisture to circulate evenly around all the food pieces.
- For best results, smoke foods at a constant temperature of 225° to 250° F (110° to 120° C) as measured by the temperature gauge mounted on the front of the smoker. For more tender and heavily smoked meat, a lower temperature may be preferred. If time is critical, a higher temperature range is recommended.
- Check water level periodically and add water if low. For best results and to retain heat, avoid opening the door of the smoker while in use. When the door must be opened, only open it briefly. The smoker will quickly resume cooking temperature after the door is closed.
- Always use a meat probe thermometer to ensure food is fully cooked before removing it from the smoker.
- After each use, and after the smoker is cooled, carefully remove the grease pan from the bottom of the smoker, empty the grease, and clean the grease pan.

TEMPERATURE CHART

WARNING: To ensure that it is safe to eat, food must be cooked to the minimum internal temperatures listed in the table below.

USDA* Safe Minimum Internal Temperatures	
Fish.....	145° F
Pork.....	160° F
Egg Dishes.....	160° F
Steaks and Roasts of Beef, Veal or Lamb	145° F
Ground Beef, Veal or Lamb	160° F
Whole Poultry (Turkey, Chicken, Duck, etc.)	165° F
Ground or Pieces Poultry (Chicken Breast, etc.)	165° F

* United States Department of Agriculture

AFTER USE SAFETY AND MAINTENANCE



WARNING



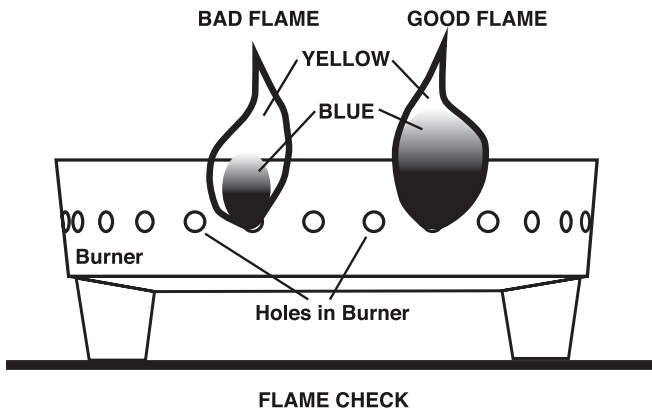
- Use caution when lifting and moving the smoker to avoid strains or back injury. Two people are recommended to lift or move the smoker.
- **DO NOT** store the smoker near gasoline or other combustible liquids or where combustible vapors may be present.
- **DO NOT** store this smoker in an area accessible to children or pets. Store the smoker in a dry, protected location.
- **DO NOT** allow anyone to conduct activities around the smoker following use until it has cooled. It is hot during operation.
- **DO NOT** leave hot ashes unattended until the smoker cools completely.
- This smoker becomes extremely hot - allow the smoker to cool completely before handling. If you must handle smoker while it is hot, **ALWAYS** wear protective oven mitts or heat resistant gloves when handling the smoker or its components. Allow the smoker to cool before removing and cleaning the grease pan.
- Dispose of cold ashes by wrapping them in heavy duty aluminum foil and putting them in a noncombustible container. Be sure there are no other combustible materials in or near the container.
- If you must dispose of the ashes in less time than it takes for them to completely cool, remove the ashes from the smoker, keeping them in heavy duty foil, and soak them completely with water before disposing of them in a noncombustible container.



CAUTION: All care and maintenance procedures are to be performed only while the smoker is turned off and cooled.

- Clean the water bowl and cooking grills with hot, soapy water. Rinse and dry thoroughly. You may prefer to coat the water bowl and cooking grills lightly with cooking oil or cooking spray.
- Frequently check and clean the burner for insects and insect nests. A clogged tube can lead to fire outside the smoker. Also make sure the smoker does not have any foreign objects obstructing the flow of combustion and ventilation air.

- If your temperature gauge seems to be out of calibration: Remove the heat indicator from the door of the smoker by loosening and removing the mounting nut from the inside. There is a second nut mounted on the back of the heat indicator that can be turned to adjust the heat indicator needle. Set the needle to the current outdoor ambient temperature and re-mount the heat indicator to the door of the smoker.
- To clean the inside and outside of the smoker cabinet, simply use a damp cloth. Spray-washing with a water hose is not recommended. All moisture should be wiped away and not allowed to stand inside or on top of the smoker. Carefully remove the grease pan, dispose the grease, and wash thoroughly. Once cleaned, you may prefer to lightly coat the interior of the smoker cabinet with cooking oil or cooking spray.
- If rust is present on the exterior surface of the smoker, clean the area with steel wool or emery cloth and use heavy duty, heat resistant paint.
- **NEVER** apply additional paint to the interior of the smoker. If rust is present on the interior of the smoker, clean it thoroughly with steel wool or emery cloth and lightly coat the area with cooking oil or cooking spray to help minimize recurring rust.
- When an LP tank is not connected, and to help prevent dirt or other foreign particles from clogging the hose/regulator, hang the end of the hose/regulator from the side handle using the supplied S-hook.
- To protect your smoker from weather, always keep your smoker covered while not in use.
- Inspect the flames at the burner by looking through the front access hole. A good flame should be blue with a yellow tip 1" to 2" in length. If flames are excessively yellow and irregular, oil residue and food deposits may be collecting on the burner. Try cleaning the burner surface and the holes to improve the flames. Bad flames may also be caused by poor gas valve orifice-to-burner attachment. Always let the smoker cool before cleaning or checking the assembly.



STORAGE

BEFORE STORING YOUR GRILL:

- Clean all surfaces.
- When cool and not in use, store your smoker indoors in a dry location to protect against rusting.
- If storing the grill outdoors, cover the grill with a grill cover for protection from the weather.

TROUBLESHOOTING

PROBLEM	CAUSE	CORRECTION
Burner will not light	<ol style="list-style-type: none"> 1. Check LP cylinder fuel level. 2. Bad electrode spark. 3. Burner may not be properly seated. 4. Burner may be obstructed. 5. The cylinder valve may be closed. 6. Regulator is not properly seated on cylinder valve. 	<ol style="list-style-type: none"> 1. Replace LP Cylinder. 2. Check to see if the grill will match light. Electrode or collector may need adjustment. 3. Reseat burner. 4. Clear obstructions from burner. 5. Open cylinder valve. 6. Reseat regulator on cylinder valve.
Fire at control knob	<ol style="list-style-type: none"> 1. Burner holes may be obstructed. 2. Burner is improperly seated on control valve. 3. Gas connections may be loose. 	<ol style="list-style-type: none"> 1. Clear obstructions from burner. 2. Reseat burner on control valve. 3. Leak check and tighten all connections.
Yellow Flames at burner	<ol style="list-style-type: none"> 1. Burner is obstructed. 	<ol style="list-style-type: none"> 1. Clear obstructions from burner.
Flame blows out on "LOW"	<ol style="list-style-type: none"> 1. Burner holes may be obstructed. 2. Burner is improperly seated on control valve. 3. Grill is not sufficiently pre-heated. 	<ol style="list-style-type: none"> 1. Clear obstructions from burner holes. 2. Reseat burner on control valve. 3. Pre-heat grill sufficiently.
Burner does not get hot enough	<ol style="list-style-type: none"> 1. Flow control device has been activated in regulator. 	<ol style="list-style-type: none"> 1. Reset regulator by turning off gas at LP cylinder. Disconnecting regulator from tank. Re-attaching regulator to tank.
Grill is too hot	<ol style="list-style-type: none"> 1. Excess grease build-up causing grease fires. 2. Damaged or faulty regulator. 3. Cook on a lower temperature setting. 	<ol style="list-style-type: none"> 1. Clean smoker components thoroughly. 2. Replace with identical replacement parts. 3. Lower flame height and temperature.

Manual de uso y cuidado



Ahumador a Gas para uso al Aire Libre

Numero de Modelo Kenmore:
125.15884801



AVISO PARA EL INSTALADOR:

ENTREGUE ESTAS INSTRUCCIONES AL PROPIETARIO DE LA PARRILLA PARA REFERENCIA FUTURA.

AVISO PARA EL PROPIETARIO:

GUARDE ESTAS INSTRUCCIONES DE LA PARRILLA PARA REFERENCIA FUTURA.

Centro para Servicio al Cliente

Llámenos primero si usted tiene cualquier problema con este producto. Podemos ayudarle con preguntas sobre ensamblaje y la operación de esta parrilla o con piezas dañadas o que hacen falta cuando usted saque esta unidad de su envase. Por favor llame antes de volver a la tienda donde hizo la compra de este producto.

1-800-848-8915

8:30am-5:00pm CST, Mon thru Friday

En el espacio abajo, registre el modelo y los números de serie y la fecha de compra de su Ahumador Gas para uso al aire libre. Usted encontrará el modelo y los números de serie en la parte posterior de la unidad.

Num. de Modelo _____

Num. de Serie _____

Dia de Compra _____

Guarde esta manual y su recibo de venta de Sears en un lugar seguro para referencia futura.

TABLA DE CONTENIDO

Información de Garantía	21
Importantes Advertencias de Seguridad	21-23
Características del Producto	23
Contenido del Cartón	23-25
Instrucciones de Asamblaje	26-33
Conexión de Cilindro de Propano Líquido (LP)	34-35
Instrucciones de Operación	35-36
Instrucciones de Encendido	36-37
Instrucciones de Cocción	37
Tabla de Temperatura	38
Seguridad y Mantenimiento Despues del Uso	38-39
Almacenamiento	39
Identificación y Corrección de Problemas	39

- ⚠ PELIGRO:** Indica una situación peligrosa inminente la cual, si no se evita, producirá lesiones graves o aún la muerte.
- ⚠ ADVERTENCIA:** Manténgase alerta a la posibilidad de lesiones corporales graves si no se siguen las instrucciones. Asegúrese de leer y seguir cuidadosamente todos los mensajes.
- ⚠ PRECAUCIÓN:** Indica una situación posiblemente peligrosa la cual, si no se evita, puede producir lesiones menores o moderadas.

Garantía Kenmore de Un Año

Si este ahumador Kenmore falla debido a un defecto en material o a la ejecución en el plazo de un año a partir de la fecha de la compra, llame al 1-800-4-MY-HOME® para hacer arreglos de reparación gratuita (o reemplazo si reparación es imposible).

Esta garantía excluye pintura descolorada o ahumbrar superficial, que son piezas consumibles o las condiciones que pueden resultar de uso normal, de accidente o de mantenimiento incorrecto.

Esta garantía es anulada si este ahumador se utiliza para los propósitos comerciales o de alquiler.

Esta garantía le da derechos legales específicos, y usted también puede tener otros derechos que varíen por estado de estado.

**Sears, Roebuck and Co.,
Hoffman Estates, IL 60179**



PELIGRO



Si huele gas:

1. **Apague el gas al artefacto.**
2. **Apague cualquier llama expuesta.**
3. **Abra la tapa.**
4. **Si el olor persiste, subsistencia lejos de la aplicación y llame de inmediato a su proveedor de gas o a los bomberos.**

Se puede producir un incendio y causar lesiones o hasta la muerte si no siguen estas instrucciones de forma exacta.



PELIGRO



1. **Nunca opere este aparato dejándolo desatendido.**
2. **Aunque el espacio libre mínimo son 36 pulgadas (92 cm), le recomendamos ampliamente que no opere este equipo a menos de 10 pies (3 m) de cualquier estructura, material combustible o cilindros de gas LP extra que no estén conectados al equipo.**
3. **Nunca opere este aparato sin un espacio mínimo de 25 pies (7.5 m) entre el aparato y otros líquidos inflamables.**
4. **Nunca permita que el aceite o la grasa llegue a estar más caliente que 400°F o 200°C. Si la temperatura excede 400°F (200°C) o si el aceite comienza a fumar, apague inmediatamente la fuente de la hornilla o de gas a (OFF) APAGADO.**
5. **Líquidos calentados permanecen elevados a temperaturas que escaldan por mucho tiempo después de cocinar. Nunca toque el aparato hasta que los líquidos se han refrescado a 115°F (°C 45) o menos.**
6. **Si ocurre un fuego, manténgase lejos del aparato y llame inmediatamente a los bomberos. No procure extinguir un fuego de aceite o de grasa con agua.**

Se puede producir un incendio y causar lesiones o hasta la muerte si no siguen estas instrucciones de forma exacta.

ADVERTENCIAS IMPORTANTES DE SEGURIDAD

ES NUESTRO DESEO QUE ARME Y UTILICE SU PARRILLA EN LA FORMA MÁS SEGURA POSIBLE. EL PROPÓSITO DE ESTE SÍMBOLO DE ALERTA DE SEGURIDAD

ES QUE USTED PRESTE ATENCIÓN A LOS POSIBLES PELIGROS CUANDO ARME Y UTILICE SU PARRILLA.

¡CUÁNDO VEA ESTE SÍMBOLO DE ALERTA DE SEGURIDAD PRESTE ESPECIAL ATENCIÓN A LA INFORMACIÓN A CONTINUACIÓN!

LEA DETENIDAMENTE TODAS LAS ADVERTENCIAS DE SEGURIDAD E INSTRUCCIONES ANTES DE ARMAR Y USAR LA PARRILLA.

ADVERTENCIA

- Este manual de uso y cuidado contiene información importante necesaria para uso y cuidado apropiado de este aparato.
- Lea y siga todas las advertencias e instrucciones antes de usar este aparato.
- Guarde este manual para referencia futura.
- No utilice este ahumador en una manera diferente a su propósito previsto. No está diseñado para uso comercial. No está diseñado para ser instalado o para ser utilizado en un vehículo recreacional y/o barcos. El ahumador no debe ser utilizado como calentador.
- Tenga un extintor siempre cerca o a la mano.
- El uso de alcohol, prescripciones o drogas de prescripción pueden deteriorar la capacidad mental del usuario para usar correctamente y con seguridad el ahumador.
- Este ahumador está diseñado para el uso al aire libre solamente, o en una área bien-ventilada. No use el ahumador adentro de un garaje, o en cualquier otra área con alguna construcción por encima del aparato.
- Use precaución al ensamblar u operar su ahumador para evitar cortadas o raspones por orillas agudas de partes de metal.
- Use precaución al levantar o mover el ahumador para evitar tensiones o lesiones de su espalda. Se recomienda dos personas para levantar o para mover el ahumador. No mueva el ahumador mientras este en uso.
- NO opere el ahumador cerca o bajo materiales inflamables o combustibles tal como cubiertas, pórticos, o cubiertas para carros. Se recomienda una separación mínima de 36 pulgadas (92cm). No use el ahumador con alguna construcción por encima del aparato.
- Utilice el ahumador solo en superficies duras, niveladas, incombustibles, y estables (cemento, suelo, etc.). Nunca utilice el ahumador sobre madera u otras superficies que pudieran quemarse.
- No almacene el ahumador cerca de la gasolina u otros vapores o líquidos inflamables.
- No almacene el ahumador un área donde niños y mascotas pueden entrar en contacto con la unidad. Almacene el

ADVERTENCIA

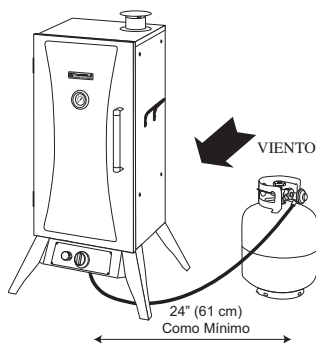
- ahumador en un lugar seco y protegido.
- Nunca opere este aparato dejándolo desatendido. Cerca supervisión es necesaria cuando se utilice este ahumador.
- No permite a nadie conducir actividades alrededor del ahumador durante o después de uso hasta que se haya refrescado. El aparato se mantiene caliente durante y después de su operación por un período de tiempo extendido.
- No deje cenizas calientes desatendidas hasta que el ahumador se refresca totalmente.
- No mueva el ahumador mientras este en uso. No mueva o almacene el ahumador hasta que se haya refrescado.
- Este ahumador llega a temperaturas extremadamente calientes - permita que el ahumador se refresque totalmente antes de tocar. Si usted tiene que tocar el ahumador mientras este caliente, SIEMPRE use mitones protectores para horno o guantes para horno para poder manejar el ahumador o sus componentes.
- NUNCA utilice gasolina u otros líquidos altamente volátiles como arrancador. Pueden estallar.
- Mientras se este utilizando, el ahumador contiene líquido caliente en la bandeja de agua. Use precaución extrema en todo tiempo. No mueva el ahumador cuando la bandeja de agua contenga líquidos calientes porque podría causar serias lesiones corporales. SIEMPRE use mitones protectores para horno o guantes para horno.
- Disponga las cenizas frías envolviéndolas en papel de aluminio resistente y poniéndolas en un envase no combustible. Asegúrese que no hay otros materiales combustibles adentro ni cerca del envase.
- Si usted tiene que deshacerse de las cenizas en menos tiempo que toma para que se refresquen completamente, quite las cenizas del ahumador, manteniéndolas en papel de aluminio resistente, y empápelas totalmente con agua antes de disponer de ellas en un envase no combustible.
- No obstruya el flujo de aire de combustión y/o del aire de la ventilación para el ahumador.
- Tenga cuidado al abrir la puerta del ahumador mientras este en operación. Guarde las manos, la cara, y el cuerpo del vapor caliente o de las llamaradas. Proteja su nariz y boca contra la inhalación del humo.
- No use ropa floja mientras que use el ahumador. Ate pelo largo detrás de su cabeza mientras que use el ahumador. SIEMPRE use zapatos completamente cubiertos mientras use el ahumador.
- Permita que el ahumador y sus componentes se refresquen completamente antes de conducir cualquier limpieza o mantenimiento rutinaria.
- NUNCA utilice vasijas cristalerías, de plástico, o de cerámica en su ahumador.
- No permita que el líquido en la bandeja de agua se evapore completamente. Revise la bandeja de agua cada 2 horas y agregue agua si el nivel está bajo (un sonido chirriante puede indicar la necesidad de agua). Siga las instrucciones en la sección agregando agua mientras se este cocinando de este manual.
- Al usar madera para agregar sabor, agregue una suficiente cantidad antes de la operación para evitar de que tener que agregar la madera durante la operación. La adición de madera mientras que el aparato este operando puede causar el salpicar de agua caliente y causar lesiones serias.
- El uso de accesorios no previstos para este aparato no se recomienda y puede causar lesiones o daños a materiales o físicos.



ADVERTENCIA

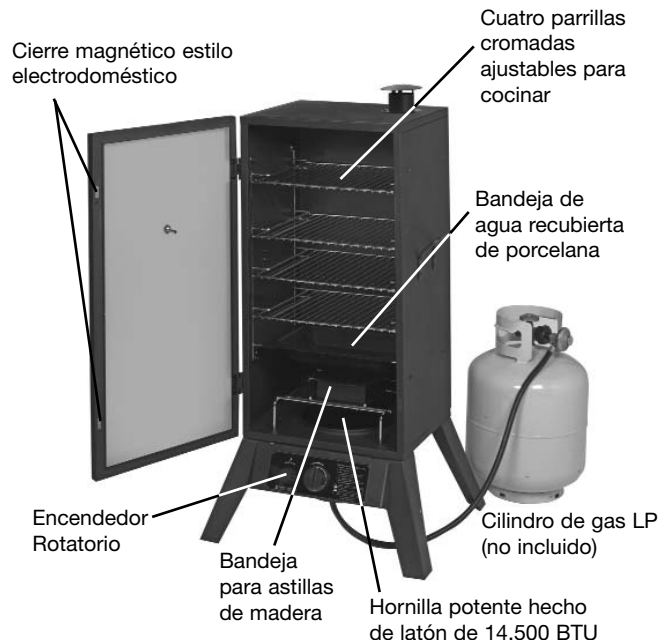


- Un cilindro de gas LP no conectado para uso no se debe almacenar en la vecindad del ahumador o otro aparato. No almacene los cilindros de gas LP menos de 10 pies del ahumador. Los cilindros de gas LP se deben almacenar al aire libre, fuera del alcance de niños. No almacene los cilindros de gas LP en un edificio, garaje, o ninguna otra área encerrada.
- No almacene cilindros de gas LP dentro o encima del ahumador. El almacenaje incorrecto de cilindros de gas podía conducir a una explosión, fuego, y/o a otros daños corporales. Los cilindros de gas LP se deben almacenar al aire libre, fuera del alcance de niños. No almacene los cilindros de gas LP en un edificio, garaje, o ninguna otra área encerrada.
- Apague el cilindro de gas cuando no este en uso.
- Gases de propano son más pesados que el aire, tienden reunirse en áreas bajas que fácilmente se encienden. Cuidado apropiado y precaución deben ser empleados al usar estos combustibles.
- No utilice ahumador si hornilla no puede encenderse o no permanece encendida. Bajo tales condiciones, apague el gas y desconecte el cilindro de gas.
- El ahumador debe ser apagado y todas las válvulas apagadas (en la tubería o en los cilindros del combustible) deben ser cerrados en el caso que se detecte olor de gas no quemado. No procure utilizar el aparato hasta que cualquier escape de gas ha sido solucionado y/o la fuente del olor de gas no quemado se ha encontrado y arreglado.
- No utilice el ahumador en condiciones de fuerte viento que dan lugar a operación pobre y podrán extinguir la llama. Intente re-colocar la unidad en otro lugar pero si la situación no mejora bajo tales condiciones de viento, apague el ahumador.
- Este artefacto debe instalarse de acuerdo con todos los códigos locales relevantes. Si no existen códigos locales, la instalación tiene que estar de acuerdo con Código de Gas Combustible de EE.UU. ANSI Z223.1 NFPA 54.
- El ahumador debe instalarse con el ensamblaje del regulador de la manguera extendido a toda la longitud de la manguera y alejado directamente de la hornilla (24" [61 cm] como mínimo). Esta colocación resulta en una distancia máxima entre el tanque y el ahumador. Cuando el ahumador es utilizado, la manguera o el regulador y el tanque de gas deben estar en una línea situada perpendicularmente a la dirección del viento. Si uno coloca el tanque a menos de 24" (61 cm) del ahumador éste puede sobrecalentar el tanque y ocasionar la liberación de gas propano a través de las aberturas de escape, lo que a su vez puede causar que el tanque se incendie o explote.



- La unión de la manguera al tanque puede representar un peligro, ya que uno puede tropezarse y tirar el tanque – tenga precaución.
- Mantenga la manguera suministradora de combustible alejada de superficies calientes.

CARACTERÍSTICAS DEL PRODUCTO



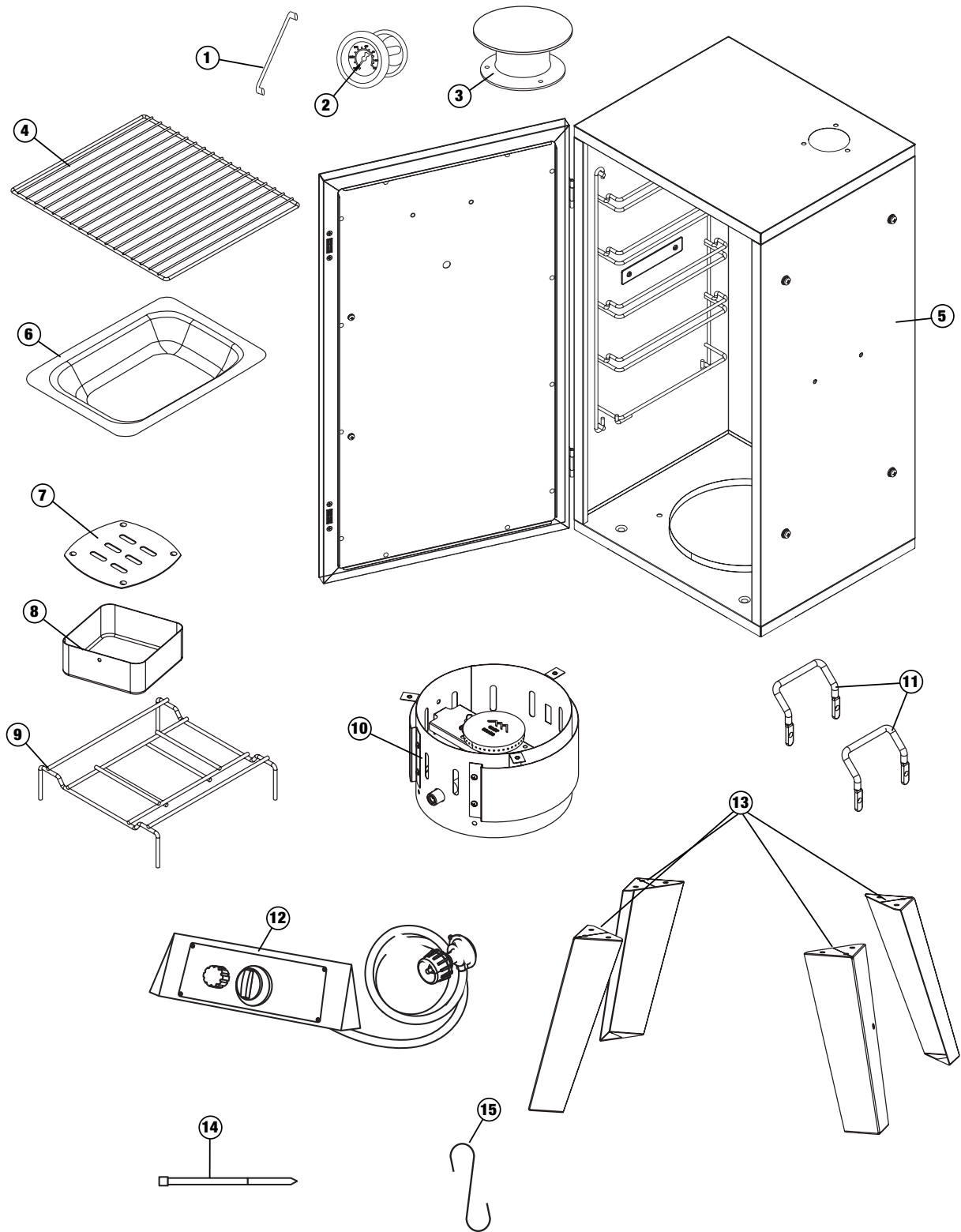
CONTENIDO DE LA CAJA DE CARTÓN

Asegúrese de tener todas las piezas enumeradas bajo "CONTENIDO DE LA CAJA DE CARTÓN" y CONTENIDO DE LA BOLSA de ferretería antes de comenzar con el ensamblaje.

Cantidad

- ① 1 Manija de la Puerta
- ② 1 Ensamblaje del Indicador de la Temperatura
- ③ 1 Chimenea
- ④ 4 Rejillas para Cocinar
- ⑤ 1 Cuerpo del Ahumador
- ⑥ 1 Bandeja de Agua
- ⑦ 1 Tapa de la Caja para las Astillas de Madera
- ⑧ 1 Caja para Astillas de Madera
- ⑨ 1 Estante de la caja para pedazo de madera
- ⑩ 1 Ensamblaje de la Hornilla
- ⑪ 2 Manijas laterales
- ⑫ 1 Ensamblaje del Panel de Control
- ⑬ 4 Piernas
- ⑭ 1 Abrazadera
- ⑮ 1 Gancho en "S"
- 1 Guía de Uso y Cuidado
- 1 Bolsa de Ferretería

DIAGRAMA DE PIEZAS PARA MODELO 125.15884801



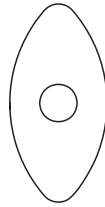
Inspeccione el contenido de la caja para cerciorarse de que tenga todas las piezas intactas.

Si algunas piezas hacen falta o estan dañadas, llame al 1-800-848-8915.

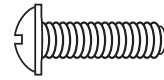
CONTENIDO DE BOLSA DE FERRETERÍA

CANTIDAD

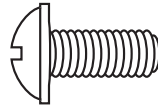
- 2 Arandelas Resistentes al Calor (Asidero de Puerta)
- 7 M5 X 16 mm Pernos
- 15 M6 X 16 mm Pernos
- 2 M4 X 25 mm Pernos
- 3 M5 mm Reborde
- 3 #10 Arandelas
- 7 Juntas



(2) Arandelas Resistentes a Calor (Asidero de Puerta)



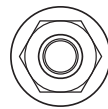
(7) M5 X 16 mm Pernos



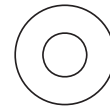
(15) M6 X 16 mm Pernos



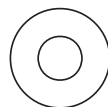
(2) M4 X 25 mm Pernos



(3) M5 mm Reborde



(3) #10 Arandelas



(7) Juntas

ENSAMBLAJE

Seleccione una zona nivel y despejada y pídale a un amigo a que le ayude a ensamblar su ahumador. Ponga cartón debajo para proteger el acabado del ahumador y la zona del ensamblaje.

⚠ PRECAUCIÓN: Algunas piezas pueden tener bordes filosos. En caso necesario, póngase guantes de protección.

Nota: Con la ayuda de un amigo, voltee el gabinete del ahumador al revés.

Paso 1

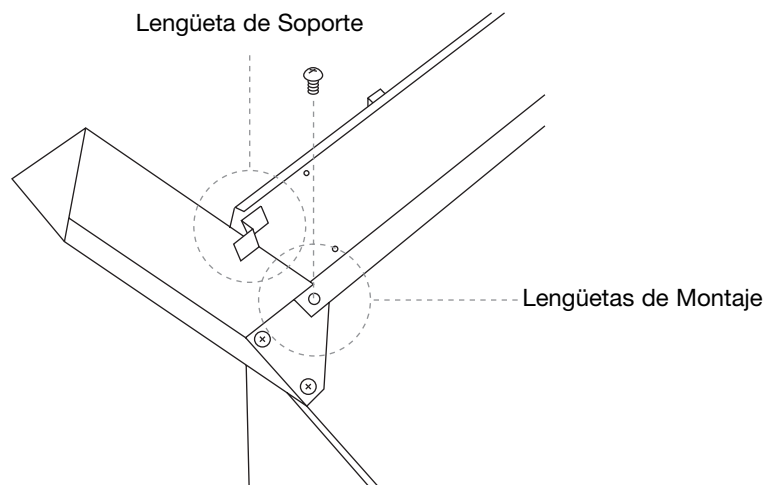
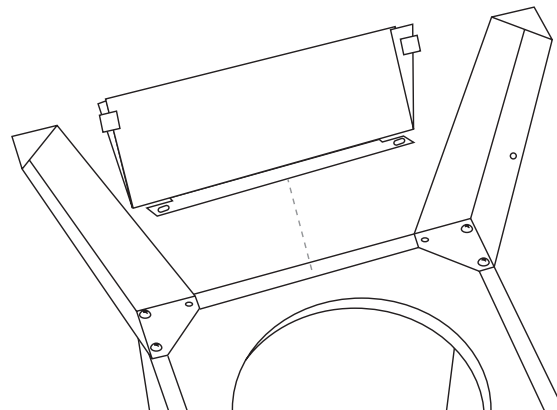
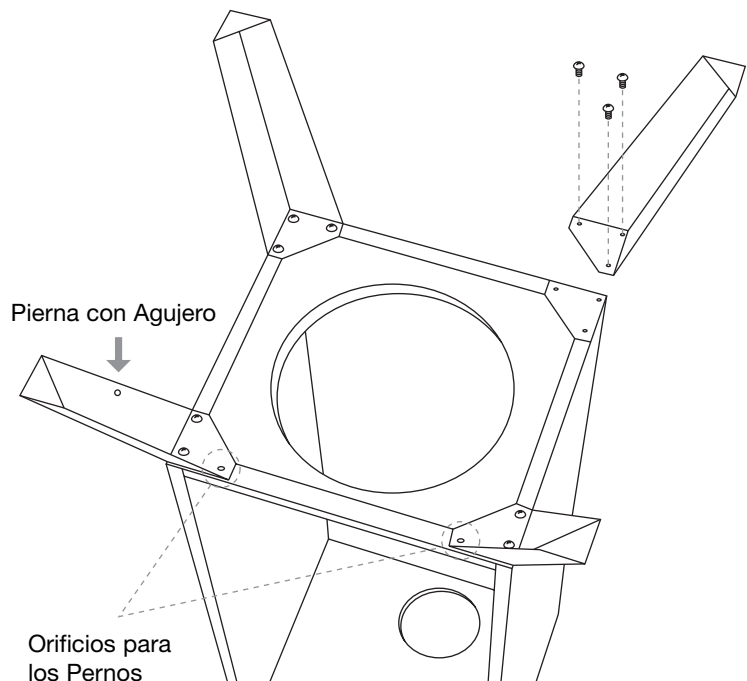
Alinee los agujeros de la pierna y del gabinete y átelos con los pernos 1M6 X 16 mm; las tuercas están pre-soldadas con autógena al gabinete. Apriete los pernos con seguridad. Ate la pierna en el agujero en el medio de la pierna en la posición indicada por la flecha en la figura (la esquina delantera derecha). NO inserte los pernos en las localizaciones indicadas por los círculos en la figura.

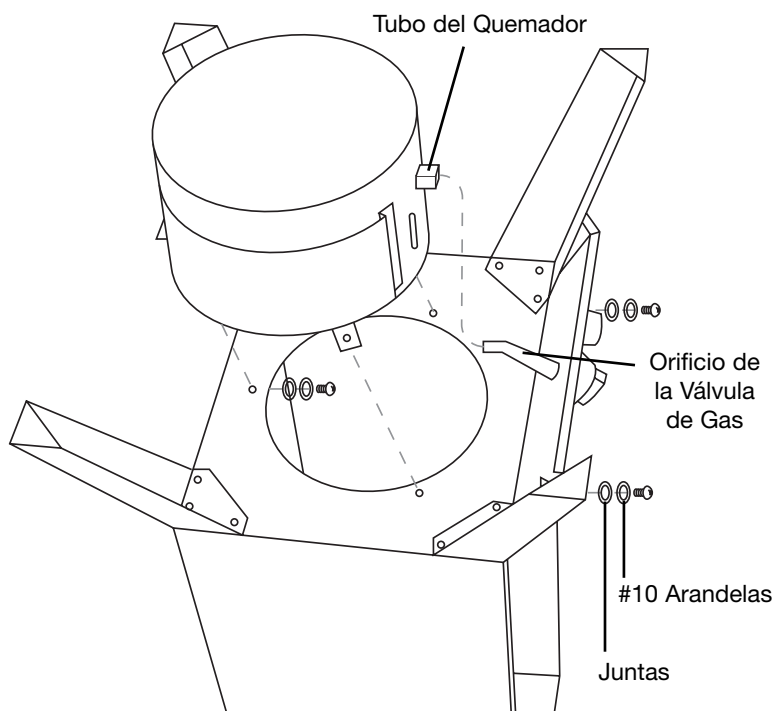
Paso 2

Coloque el ensamblaje del panel de control entre las piernas delanteras como se muestra. Hay una ranura en cada lado del panel de control que encaja alrededor del borde de la pierna.

Paso 3

Las dos lengüetas de montaje encajan en el interior de las piernas, quedando alineadas con los orificios para los pernos. Fíjese que ambas lengüetas de soporte en la parte trasera del panel de control sean enganchadas atrás de las piernas como se muestra a la derecha. Inserte los dos pernos sobrantes de M6 X 16 mm a través de las lengüetas de montaje y apriételes bien.





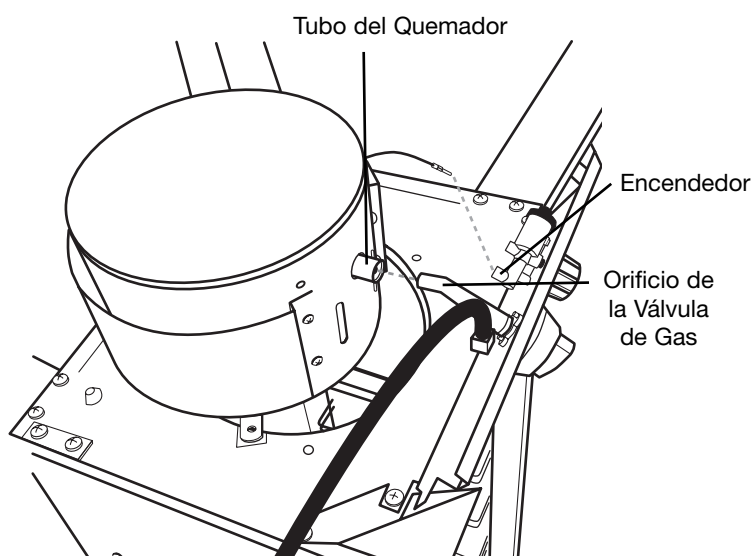
Paso 4

Coloque el ensamblaje de la hornilla sobre el gabinete como se muestra.

⚠ PRECAUCIÓN: Cerciórese de que el orificio del gas de la válvula resbale y los ajustes dentro del tubo de la hornilla.

Paso 5

Fije el ensamblaje del quemador con los tres pernos M6 X 16 mm con #10 arandelas y juntas desde el interior del gabinete. Apriete bien los pernos.



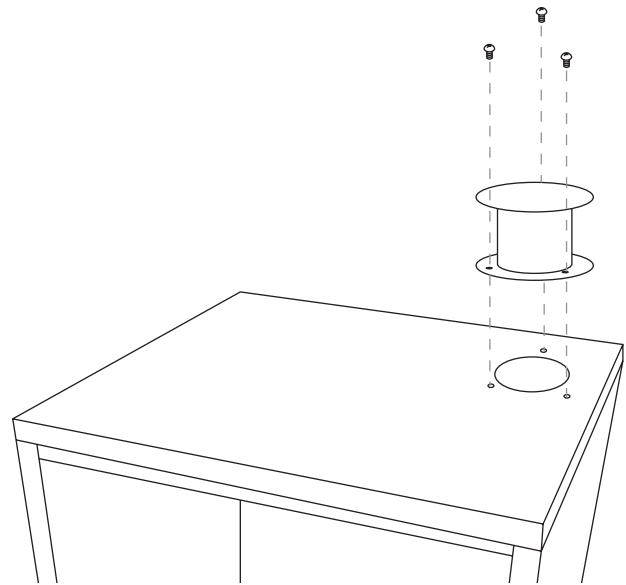
Paso 6

Una el cable suelto del encendedor al encendedor ubicado en el panel de control como se muestra.

Nota: Voltee el conjunto del ahumador para que este de pie con la ayuda de un amigo.

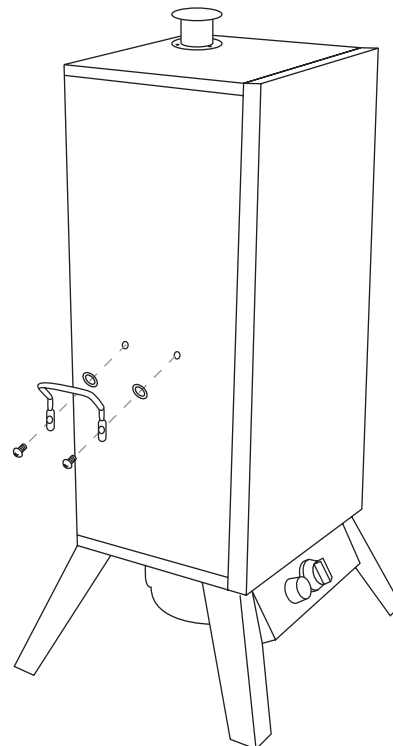
Paso 7

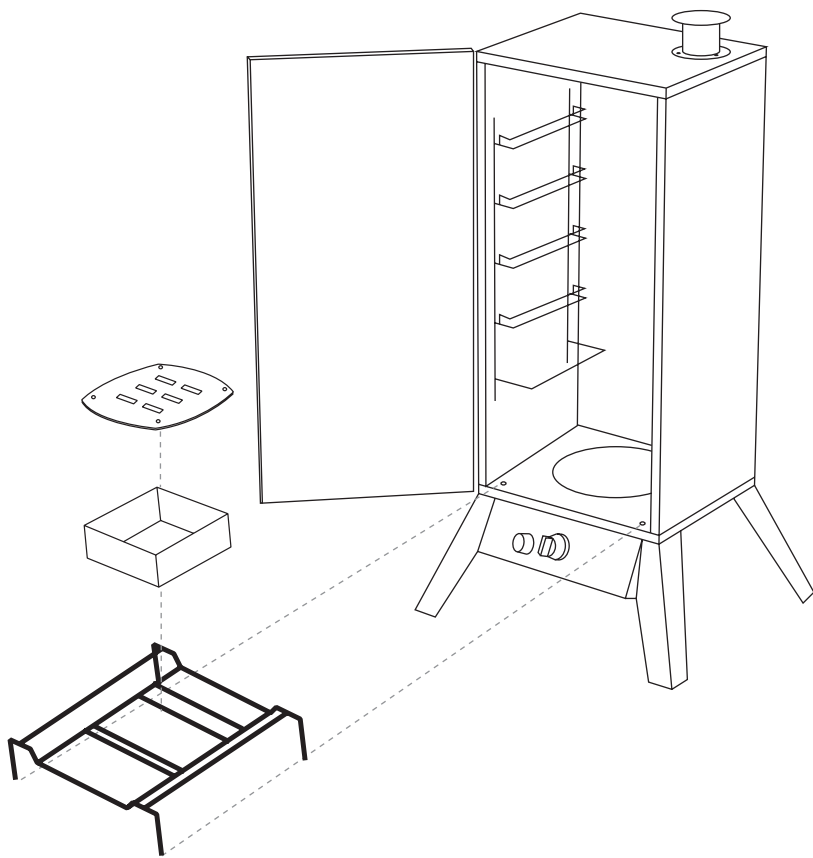
Coloque la chimenea sobre la parte superior del gabinete y alinéela con los orificios correspondientes. Inserte tres pernos de M5 X 16 mm al gabinete, a través de la base de la chimenea. Fíjelos con tres tuercas de reborde de M5 mm.



Paso 8

Alinee la manija lateral con los orificios correspondientes ubicados lateralmente en cada lado del gabinete como se indica. Las manijas deben ir colocadas en posición vertical con los orificios para los pernos en la parte inferior como se muestra. Inserte dos pernos M5 X 16 mm y juntas desde el exterior e introdúzcalos enroscándolos a los orificios ubicados al lado del gabinete como se ilustra. Apriete bien. Complete los pasos para ambos lados del ensamblaje del gabinete.



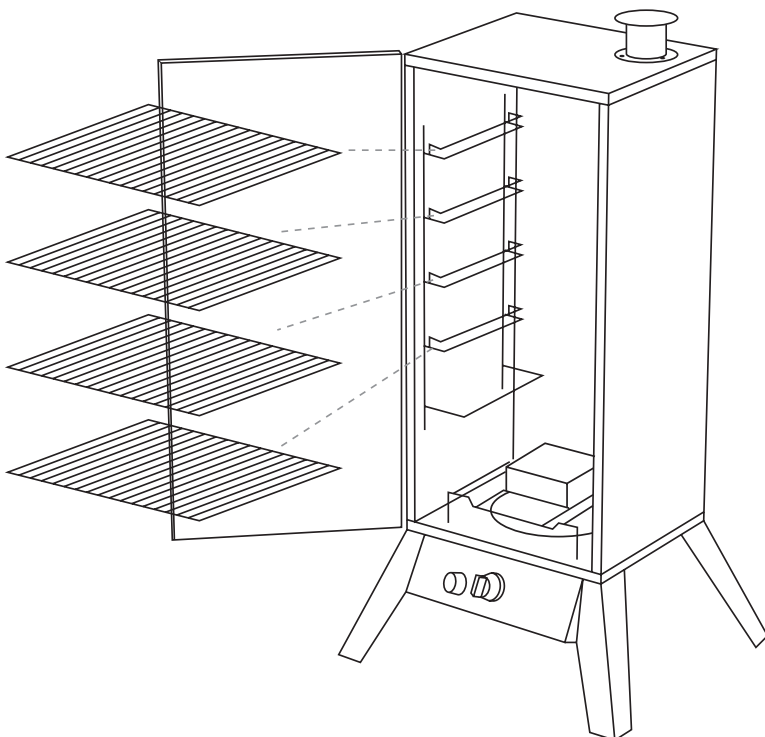


Paso 9

Inserte la estante de la caja para pedazo de madera a la parte inferior del ahumador. Las piernas de la rejilla se asientan en las cuatro marcas de la parte inferior.

Paso 10

Coloque la caja para astillas de madera en la rejilla. Asegúrese de que esté bien asentada y fija en el centro de la rejilla. Coloque la cubierta sobre la caja para astillas de madera.

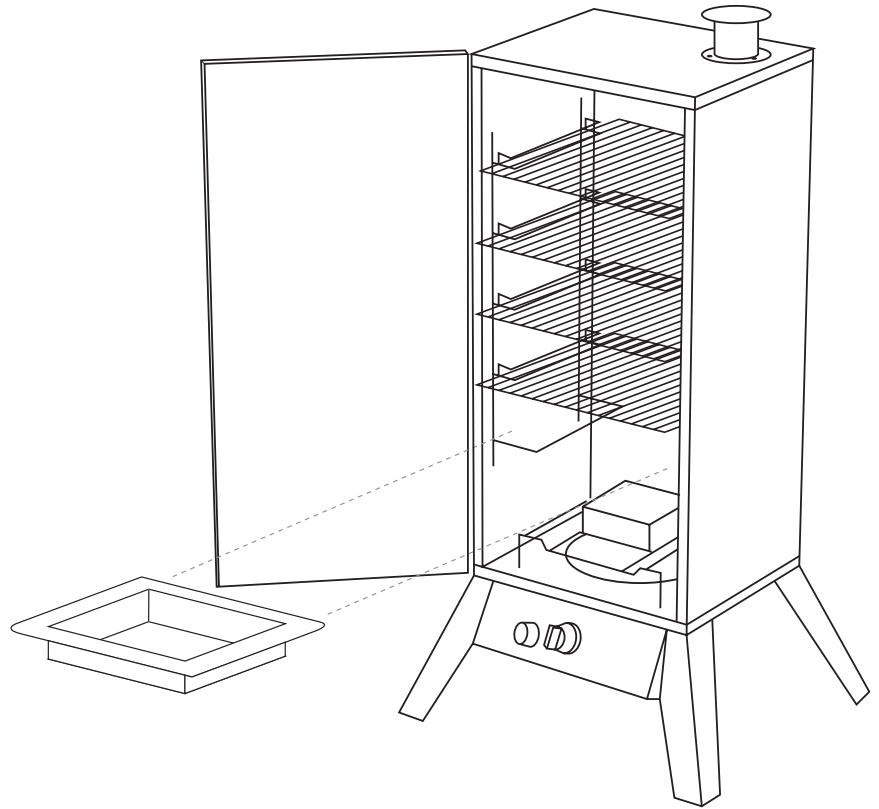


Paso 11

Inserte todas las rejillas para cocinar en los respectivos soportes de las rejillas como se muestra. Cerciérese de que cada rejilla para cocinar esté firme y nivelada.

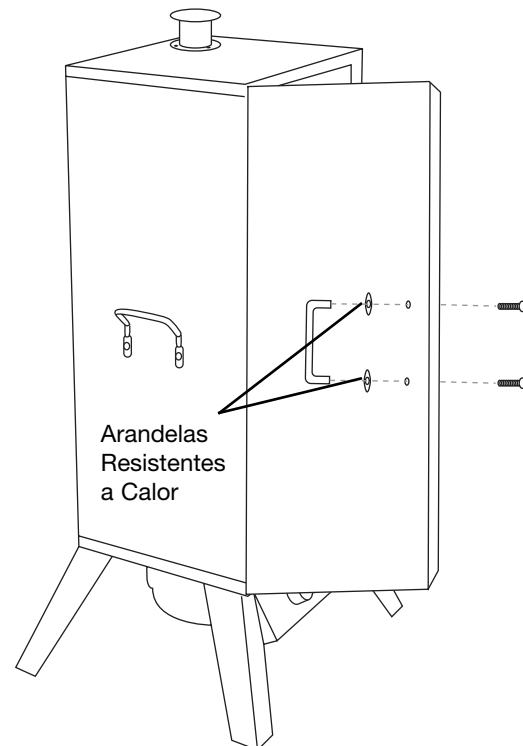
Paso 12

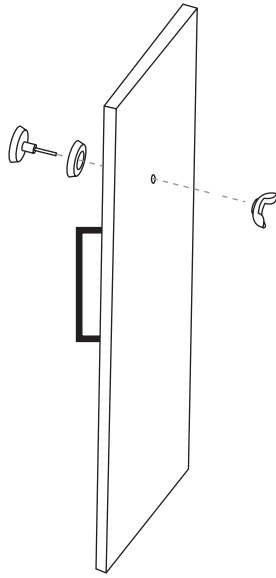
Deslice la bandeja de agua a la parte inferior de la rejilla como se muestra. Asegúrese de que la bandeja de agua esté firme y nivelada.



Paso 13

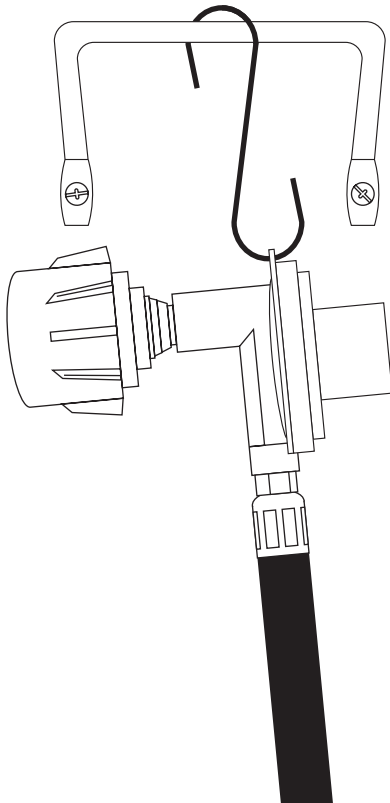
Monte la manija de la puerta con dos pernos M4 X 25 mm y dos arandelas resistentes al calor. Inserte cada perno a través de la puerta desde el interior. Desde el exterior, coloque una arandela resistente al calor sobre cada perno, luego enrosque los pernos a la manija. Apriete bien cada perno.





Paso 14

Inserte el indicador biselado de temperatura a través del agujero de montaje en el frente de la puerta. Coloque la tuerca al vástago del indicador de temperatura desde el interior del panel de la puerta y apriete bien.



Paso 15

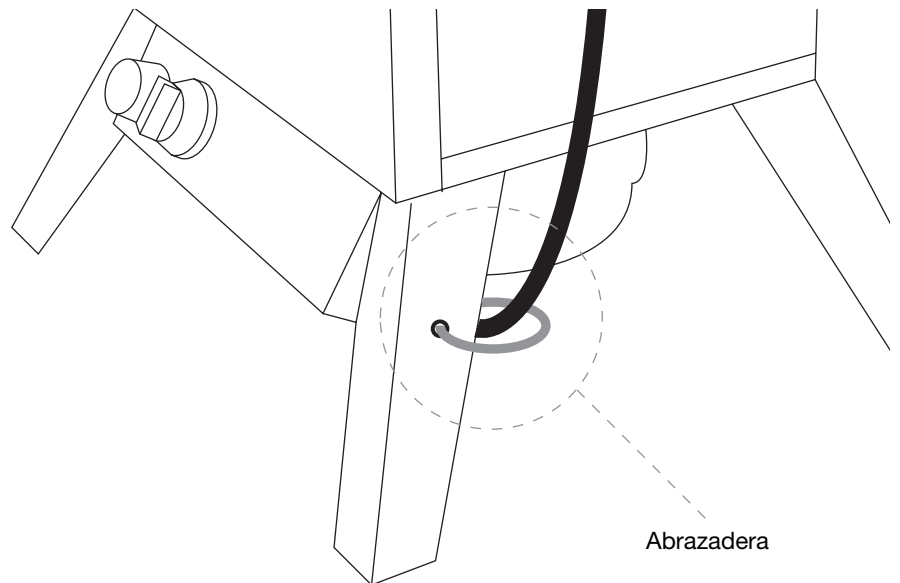
Coloque un extremo del Gancho S a través del agujero en el lado del regulador como se muestra.

Paso 16

Cuando un tanque de gas LP no esté unido al ahumador, use el gancho en "S" para colgar la manguera o el regulador de la agarradera ubicada a lado del ahumador. Así evitará que mugre y otras partículas tapen el extremo del ensamblaje.

Paso 17

Con una abrazadera, fije la manguera a la pata frontal como se muestra. No jale la abrazadera para apretarla, déjela sólo lo suficientemente floja para que la manguera puede ajustarse en caso necesario. Si amarra la manguera a la pata evitará que la manguera toque la cámara caliente del quemador. Revise la instalación debajo del ahumador para asegurarse de que la manguera no esté rozando alguna parte de la cámara del quemador.





Ensamblaje del ahumador a Gas

CONECTANDO EL TANQUE DE GAS LP

ADVERTENCIA

DEBEN SEGUIRSE TODAS LAS INSTRUCCIONES Y PRECAUCIONES DE ESTA PÁGINA PARA EVITAR DAÑOS, INCENDIOS O LESIONES.

1. Debe cerrarse la perilla del tanque de gas LP. Fíjese que la perilla haya sido girada hasta el tope en el sentido de las manecillas del reloj.
2. Revise que la perilla de control del ahumador haya sido apagada.
3. Quite la tapa protectora de la válvula de gas LP y la tuerca de unión, si está presente.
4. Detenga el regulador con una mano e inserte el tubo corto enroscado a la salida de la válvula. Fíjese que la tuerca de unión esté centrada en la salida de la válvula. La tuerca de unión se conecta a las grandes roscas exteriores de la válvula de salida.
Nota: Tenga cuidado - no enrosque mal la conexión.
5. Apriete la tuerca de unión con la mano en dirección de las manecillas del reloj hasta el tope. Apriete bien con la mano solamente. No use herramientas.



PRECAUCIÓN: Al momento de conectar, el lado de la manguera o del regulador de la conexión sellará el lado trasero e la válvula, ocasionando una ligera resistencia. La conexión requiere medio o tres cuartos de giro adicional para completar la conexión.

Todo cilindro suministrador de combustible tiene que haber sido construido y marcado según las especificaciones para cilindros de gas propano del Departamento de Transporte de los EE.UU. (DOT) CFR 49, o CAN/CSA B339. La unidad debe usarse sólo con el tanque de 20 libras de recuperación de vapores en posición vertical.

ADVERTENCIA

- No almacene tanques bajo o cerca del ahumador.
- Nunca llene tanques más del 80%.
Si no sigue las dos recomendaciones anteriores al pie de la letra puede ocurrir una lesión grave o un fallecimiento causado por incendio.
- Este ahumador fue hecho para ser operado con gas LP (propano licuado) únicamente.
- NO deje el ahumador sin atender mientras lo usa. Opere el ahumador bajo estricta supervisión.

Para usarse con este ahumador, el cilindro de 20 libras de gas LP debe cumplir con los siguientes requerimientos:

Diámetro: 12" (30.5 cm)
Altura: 18" (45.7 cm)
Capacidad Máxima: 20 lbs. (9.1 kg)

Capacidad máxima de 20 libras. El cilindro de gas utilizado debe incluir un collarín para proteger la válvula del cilindro. El sistema suministrador del cilindro debe estar diseñado para la recuperación de vapores.

Las instrucciones dadas en los tanques de gas en forma de cilindro tienen que seguirse durante el llenado o transporte. Hacer caso omiso de las instrucciones podría ocasionar problemas relacionados con sobrellenado, demasiada liberación del gas por ventilas y congelación del regulador.

No permita que mugre o materiales extraños entren a la conexión o la tapen cuando no está unida al sistema suministrador de combustible. Coloque la tapa contra el polvo en la salida de la válvula del cilindro siempre que no utilice el cilindro. Sólo coloque el tipo de tapa contra el polvo en la salida de la válvula del cilindro que viene con la válvula del cilindro. Otros tipos de tapas o tapones pueden causar la fuga del propano.

Los cilindros deben llenarse antes de usarlos por primera vez. Todo manejo, transporte, llenado y almacenamiento de cilindros de gas LP debe realizarse de acuerdo a la norma NFPA 58 ("Almacenamiento y manejo de gases de petróleo líquido") o CSAB 149.1 ("Código de instalación de gas natural y propano"). Los cilindros deben amarrarse debidamente durante su transporte. No coloque ningún otro artículo sobre la parte superior de los cilindros en ningún momento. Los cilindros no deben exponerse a altas temperaturas ni a calor extremo.

Si desconoce el tipo de su unidad y de combustible que debe usar, fíjese en la placa identificadora. Las unidades se equipan en fábrica para usarse con un solo tipo de combustible, por lo que no pueden ni deben usarse con ningún otro tipo de combustible. Usar otro tipo de combustible puede dañar seriamente la unidad y la zona de instalación y aumentar el riesgo de una lesión grave. Todo intento de operar estos ahumadores con combustibles para los cuales no se les expidió el certificado del diseño anula la garantía del fabricante.

La salida del tanque de gas debe tener una terminación para conectar el gas del Tipo 1 para que entre a la manguera del gas incluida con el ahumador.

El regulador de presión y el montaje de manguera suministrado por el fabricante del aparato deben ser utilizados. Para asegurar la operación apropiada, cualquier reemplazo del regulador del depósito de gasolina se debe hacer con las piezas de reemplazo idénticas. Llame al 1-800-848-8915 para las piezas de reemplazo.

El montaje del regulador/manguera se debe manejar cuidadosamente para prevenir la contaminación por los objetos extranjeros y la suciedad. Limpie y examine la manguera antes de cada uso. Si hay evidencia de la abrasión, use, los cortes o los escapes, la manguera se debe substituir antes de que el aparato se ponga en uso. Para asegurar la operación apropiada, cualquier reemplazo del regulador del depósito de gasolina se debe hacer con las piezas de reemplazo idénticas. Llame al 1-800-848-8915 para las piezas de reemplazo.

Esta unidad no debe utilizarse con un sistema de suministro de gas LP que no esté integrado.

Los reguladores de presión o de la válvula han sido ajustados en la fábrica a las presiones correctas de operación. ¡No intente cambiar estos ajustes!

CÓMO ENCONTRAR FUGAS

Una vez hechas las conexiones, revise todo aditamento y conexión con agua enjabonada para descubrir fugas.

- Con todas las válvulas cerradas, aplique el agua enjabonada para descubrir fugas (mezcla 50/50 de detergente lavaplatos líquido y agua) a toda conexión, aditamento y junta del tanque por donde circula el gas.

- Abra la válvula del tanque.

La presencia de burbujas en áreas donde aplicó el agua enjabonada indica una fuga de gas. Si detectó fugas o huele u oye gas, cierre la válvula y repare la fuga o reemplace la pieza defectuosa. No use el ahumador hasta haber reparado todas las fugas.

Al instalar el ahumador y el tanque, recomendamos que ambos estén en una línea perpendicular con respecto a la dirección del viento.

El ensamblaje de la manguera de gas o del regulador debe extenderse totalmente a la distancia máxima para que la manguera esté derecha y el tanque tan lejos del ahumador como sea posible.

Los tanques de gas LP están destinados a operarse en posición vertical solamente.

Cuidese de proteger la manguera suministradora de combustible para no dañarla con el pie o tráfico vehicular.

Cuando no use la unidad, debe apagar el gas del cilindro suministrador. Además, debe desconectar el cilindro de la unidad.

La unidad podrá almacenarse en el interior sólo si el cilindro ha sido desconectado y desprendido de la unidad.

INSTRUCCIONES DE OPERACIÓN

PROCEDIMIENTO ANTES DEL USO

Antes de cocinar alimentos en su ahumador, es importante "Preparar" su ahumador. La preparación o aplicación de una capa de aceite sella la pintura y el interior de su ahumador para mejorar su sabor, durabilidad y rendimiento general. A esto también se le conoce como el procedimiento de "Habitación".

Si su ahumador requiere algún retoque de pintura en el interior del gabinete, la única vez que debe aplicar pintura en su interior es antes de la preparación. No debe aplicarse pintura en el interior de su ahumador si éste ha sido usado, ya que las toxinas de la pintura pueden contaminar sus alimentos. Sin embargo, si es necesario pintarlo tras el uso, consulte la sección de esta manual referente a "Cuidado y Mantenimiento".

Para preparar su ahumador, simplemente úselo como pensaba hacerlo pero no cocine ninguna comida. Sólo necesitará seguir todas las instrucciones de operación descritas en las siguientes secciones de este manual.

Ponga en su ahumador la leña y los adobos ácidos preferidos para darle sabor, caliéntelo a baja temperatura (aprox. 125°F [50°C]) por 45 a 60 minutos. Déjelo enfriar y saque el agua y la leña.

Una vez terminada la preparación, el interior de su ahumador tendrá un revestimiento durable y condimentado.

CÓMO AGREGAR AGUA

Si desea agregar agua antes del cocimiento, simplemente quite la bandeja de agua y llénela con agua hasta 1" (2.5 cm) por debajo del borde. Luego, ponga la bandeja en la parte inferior de la rejilla.

Para agregar agua si el ahumador está caliente, NO jale la bandeja de agua más allá de la rejilla.

Recomendaciones para el Cocimiento:

Cubra la bandeja de agua con papel aluminio antes de cada uso. Así, podrá limpiar su bandeja de agua más fácilmente y ésta durará más.

Para agregar el agua con más facilidad y sin peligro, use una regadera con pitón largo.

CÓMO AGREGAR LEÑA O CARBÓN

Para agregar las astillas de madera antes del cocimiento, simplemente llene la caja para astillas de madera con sus pedacitos de leña favoritos para darle sabor. Use la cantidad y el tipo de leña que desee. Una caja llena es generalmente suficiente para varias horas de ahumado. Una vez que la caja esté llena, coloque la cubierta encima de la caja y póngala en el ahumador.

Para agregar pedacitos de leña durante el cocimiento, recomendamos utilizar pinzas o alicates largos para quitar la cubierta de la caja y colocar los pedacitos de leña en la caja para astillas de madera sin quitarla. No recomendamos sacar la caja mientras usa el ahumador.



PRECAUCIÓN: La caja para astillas de madera y su cubierta pueden calentarse mucho. Procure no tocarlas durante el uso. Siempre póngase guantes gruesos de cocina antes de tocar partes calientes.

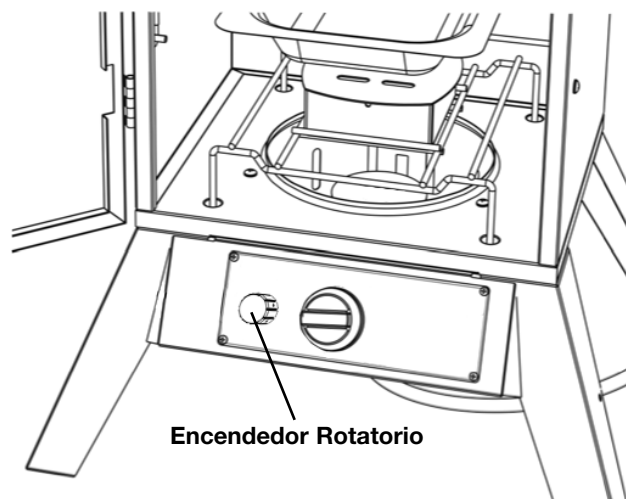
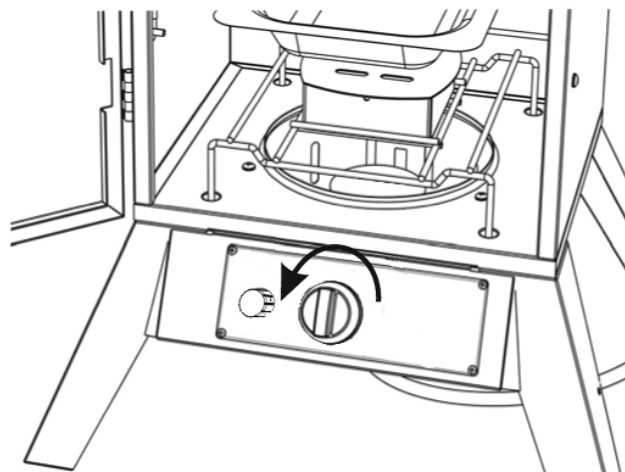
Recomendaciones de cocimiento – Leña para dar sabor:

- Los pedacitos de leña imparten mejor sabor si se dejan dentro de la caja.
- Use leña seca de madera fina de nogal americano, pacana, manzano, cerezo o mesquite.
- La mayoría de la leña de árboles frutales o de nueces imparten un excelente sabor ahumado.
- No use madera con resina como la del pino o madera laminada porque imparten mal sabor.
- Guíese por su gusto, experimente con distintos tipos y cantidades de trocitos, astillas o palitos de leña. Incluso puede mezclar varios tipos de leña.
- Para producir más humo y evitar un cocimiento rápido, remoje antes los pedacitos de leña en un tazón de agua separado por 20 minutos como mínimo o bien envuelva los pedacitos en papel aluminio perforado.
- La mayoría del sabor que imparte el humo ocurre en la primera hora de cocimiento. Típicamente, no es necesario agregar más pedacitos de leña después a menos que se desee un sabor ahumado más intenso.

CÓMO ENCENDERLO

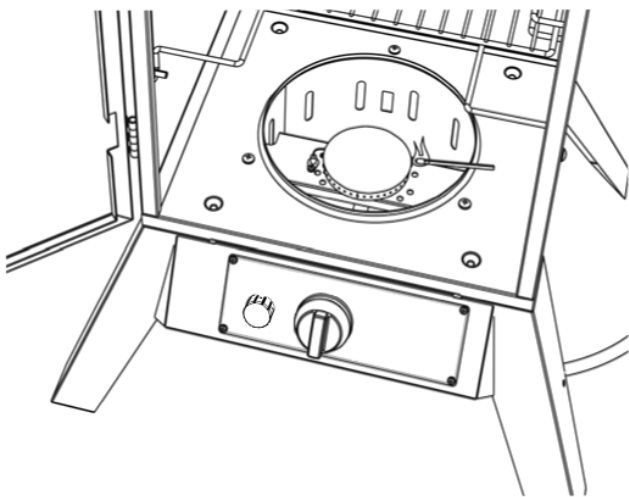
SISTEMA DE ENCENDIDO DEL ENCENDEDOR:

1. Realice la prueba de fugas por lo menos dos veces anualmente o después de conectar el tanque de propano. Compruebe todas las conexiones para descubrir fugas con el método del agua enjabonada descrito en la página 35
2. Abra la puerta del gabinete del ahumador.
3. Revise si hay cualquier bloqueo del quemador. Quite todo objeto o artículo extraño.
4. Fíjese que la perilla de control del quemador esté en la posición de "OFF" (apagado).
5. Abra la válvula del cilindro de gas LP girándola en contra de las manecillas del reloj.
6. Para encender la unidad con el encendedor, empuje y gire la perilla de control del quemador en contra de las manecillas del reloj a la posición de "HIGH" (alto).
7. De inmediato, gire el encendedor una y otra vez para que haga clic varias veces (debe ver una chispa pequeña saltar del final de la varilla del electrodo al lado del quemador). Si el quemador no se enciende dentro de 3 a 5 segundos, apague la perilla de control del quemador y espere cinco minutos para que ya no haya gas antes de repetir estos pasos. Si el quemador no vuelve a encender, intente usar un fósforo o cerillo para encender el ahumador siguiendo las instrucciones que aparecen a continuación.
8. Una vez encendido el quemador, cierre la puerta para que se acumule el calor.



CÓMO ENCENDER CON UN FÓSFORO:

1. Repita los pasos 1 a 5 del "Sistema de Encendido del Encendedor" arriba.
2. Retire la caja para astillas de madera y su soporte del interior del ahumador. Encienda un papel con el fósforo y déjelo caer en la cámara del quemador, asegurándose que caiga junto al quemador de latón. Dé vuelta rápidamente a la perilla de control a alto. Si la hornilla no se enciende en el plazo de 5 segundos, apague la perilla de control, espere 5 minutos para que el gas se despeje, y repita el proceso.



CÓMO APAGAR EL AHUMADOR

⚠ PRECAUCIÓN: El ahumador puede calentarse mucho durante el uso. No toque ninguna parte del ahumador excepto la manija de la puerta y la perilla de control del quemador. Quizá sea necesario ponerse guantes protectores.

- Apague la perilla de control del quemador oprimiéndola y girándola en el sentido de las manecillas del reloj. La flama del quemador debería apagarse.
- Cierre la válvula del cilindro de gas LP girando la perilla en el sentido de las manecillas del reloj hasta el tope.
- Siga todas las advertencias y precauciones de seguridad antes de sacar la carne del ahumador o preparar la unidad para su almacenamiento. Por favor consulte la página 34 para almacenar su unidad debidamente y las advertencias y precauciones importantes en las páginas 20 al 22.

INSTRUCCIONES PARA COCINAR

IMPORTANTE: Antes de cada uso, limpie e inspeccione la manguera y la conexión al cilindro de gas LP. Si nota abrasión, desgaste, cortadas o fugas, debe cambiar la manguera antes de usar el ahumador. También, refiera a Cómo Agregar Leña o Carbón en la sección Instrucciones de Operación.

- Llene la caja para astillas de madera con pedacitos de leña para impartir sabor y coloque la caja dentro del ahumador como indica la sección de ensamblaje de este manual. Consulte sección que explica los tipos de leña recomendada para dar sabor.
- Coloque la bandeja de agua dentro del ahumador en la posición más baja para la parrilla tal y como lo explica la sección de ensamblaje de este manual. Con cuidado, llene la bandeja con adobo ácido o agua hasta a 1 pulgada por debajo del borde. Una bandeja llena durará cerca de 2 a 3 horas. Cuidese de no llenar la bandeja demasiado, ya que el exceso de agua podría derramarse.
- Inserte o ajuste las parrillas para cocinar en las posiciones deseadas para las rejillas. Para poder manipular mejor la comida con las pinzas o espátulas, cerciórese de que los alambres de las parrillas vayan de atrás hacia delante como lo explica la sección de ensamblaje de este manual.
- Ahora ya puede encender el quemador. Consulte el procedimiento de encendido explicado previamente en este manual. El calor del quemador quemará los pedacitos de leña y la acumulación del humo impartirá sabor.
- Coloque una sola capa de comida en las parrillas para cocinar con espacio entre cada pieza. Así, el humo y la humedad podrán circular uniformemente alrededor de todas las piezas de comida.
- Para mejor resultados, ahume la comida a una temperatura constante de 225° a 250° F (110° a 120° C) según medido por el calibrador de la temperatura montado en el frente del fumador. Esta temperatura se lee en el indicador montado en el frente de su ahumador. Para carne más suave y ahumada, quizá prefiera una temperatura más baja. Si el tiempo es esencial, recomendamos una temperatura más alta.
- Revise con regularidad el nivel del agua y añada si hay poca. Para resultados óptimos y conservar el calor, procure no abrir la puerta del ahumador mientras lo usa. Si tiene que abrir la puerta, hágalo sólo brevemente. El ahumador volverá a llegar a la temperatura de cocimiento con rapidez después de cerrar la puerta.
- Siempre use un termómetro de sonda para carne porque así se asegurará que esté bien cocida antes de sacarla del ahumador.
- Después de cada uso y una vez que su ahumador se haya enfriado, quite con cuidado la bandeja de grasa de la parte inferior del ahumador, tire la grasa y limpie la bandeja.

TABLA DE TEMPERATURA

ADVERTENCIA: Para asegurarse de que sea seguro comer, el alimento se debe cocinar a las temperaturas internas mínimas enumeradas en la tabla abajo.

Temperaturas Internas Mínimas Seguras de USDA*	
Pescado	145° F
Cerdo	160° F
Platillos de Huevo	160° F
Filetes y Carnes Asadas, de Ternera o de Cordero.	145° F
Carne Molida, Ternera o Cordero. ...	160° F
Aves (Pavo, Pollo, Pato, etc.)	165° F
Carne Picada y Productos Molidos (Pechuga de Pollo, etc.)	165° F

* Ministerio de Agricultura de los Estados Unidos

SEGURIDAD Y MANTENIMIENTO DESPUÉS DEL USO



ADVERTENCIA



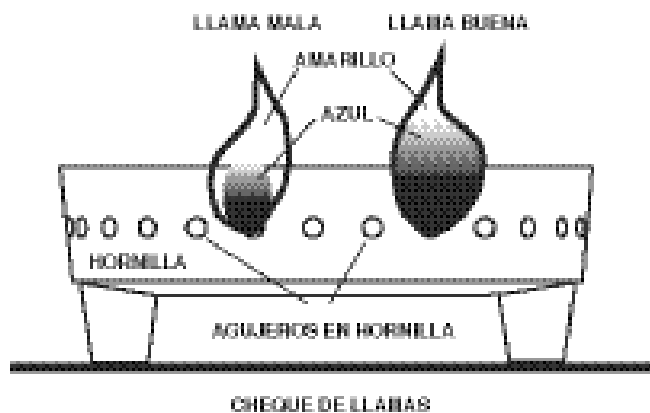
- Tenga precaución al levantar y mover el ahumador para no lesionar su espalda y evitar torceduras. Recomendamos que dos personas levanten o muevan el ahumador.
- NO almacene el ahumador cerca de gasolina u otros líquidos combustibles o donde puedan haber vapores combustibles.
- NO almacene este ahumador en un lugar accesible para niños o mascotas. Guarde su ahumador en un lugar seco y protegido.
- NO permita que nadie se acerque al ahumador tras el uso hasta que se haya enfriado. Se calienta mucho durante el uso.
- NO deje ceniza caliente sin atender hasta que el ahumador se haya enfriado totalmente.
- Este ahumador se calienta muchísimo – por eso, deje que se enfríe totalmente antes de manipularlo. Si tiene que hacerlo mientras está caliente, SIEMPRE póngase guantes gruesos de cocina o resistentes al calor para tocar el ahumador o sus partes. Deje que el ahumador se enfríe antes de sacar y limpiar la bandeja de grasa.
- Tire la ceniza fría envolviéndola en papel aluminio grueso y meta toda en un recipiente no combustible. Cerciórese de que no haya otros materiales combustibles en o cerca del recipiente.
- Si tiene que tirar la ceniza antes de que esté totalmente fría, sáquela del ahumador, métala en papel aluminio grueso y mójela completamente con agua antes de tirarla en un recipiente no combustible.



PRECAUCIÓN: Todo el cuidado y mantenimiento deben hacerse sólo hasta que el ahumador esté apagado y se haya enfriado.

- Limpie la bandeja de agua y las parrillas para cocinar con agua caliente enjabonada. Enjuague y seque muy bien. Quizá prefiera cubrir o rociar ligeramente la bandeja de agua y las parrillas con aceite para cocinar.
- Revise y limpie su ahumador frecuentemente para quitar insectos y sus nidos. Un tubo tapado puede ocasionar un incendio fuera del ahumador. También asegúrese de que no haya ningún objeto extraño dentro del ahumador que obstruya el flujo del aire de combustión y ventilación.

- Si su indicador de calor parece ya no estar bien calibrado, retírelo de la puerta del ahumador aflojando y quitando la tuerca de montaje desde el interior. Hay una segunda tuerca montada en la parte trasera del indicador de calor que puede girarse para ajustar la aguja del indicador. Fije la aguja a la temperatura ambiente externa actual y vuelva a montar el indicador de calor a la puerta del ahumador.
- Limpie el interior y exterior de la puerta del gabinete del ahumador sólo con un trapo o paño húmedo. No recomendamos lavarla rociando agua con la manguera. Toda la humedad debe quitarse frotando y no debe permitirse que se quede dentro o encima del ahumador. Saque la bandeja de grasa con cuidado, tire la grasa y limpie la bandeja muy bien. Una vez limpia, quizá desee cubrir o rociar el interior del gabinete del ahumador con una capa ligera de aceite para cocinar.
- Si se ha oxidado una parte de la superficie exterior del ahumador, límpiela con estopa de acero o tela de esmeril y use pintura resistente (también al agua).
- **NUNCA** aplique una capa adicional de pintura al interior del ahumador. Si hay oxidación en su interior, limpie el área afectada con estopa de acero o tela de esmeril y cubra o rocíe ligeramente el área con aceite para cocinar para impedir que se vuelva a oxidar.
- Cuando un tanque de gas LP no se conecta – y para ayudar a evitar que mugre o partículas extrañas tapen la manguera o el regulador – cuelgue el extremo de la manguera o del regulador de el asa lateral con el gancho en “S” incluido.
- Para proteger su ahumador de las inclemencias del tiempo, siempre guárdelo cubierto mientras no lo usa.
- Revise las flamas de su quemador mirando a través del agujero de acceso frontal. Una buena flama debe ser azul con una punta amarilla de 1" a 2" de largo. Si las flamas son demasiado amarillentas e irregulares, es posible que residuos aceitosos y depósitos de comida se estén acumulando en el quemador. Intente limpiar la superficie del quemador y los agujeros para mejorar las flamas. Una flama mala también puede ser causada por una mala unión del orificio de la válvula del gas con el quemador. Siempre deje que el ahumador se enfríe antes de limpiarlo o de revisar el ensamblaje.



ALMACENAMIENTO

ANTES DE ALMACENAR SU PARRILLA:

- Limpie todas las superficies. .
- Cuando se haya enfriado y ya no use su ahumador, almacénelo adentro en un lugar seco para protegerlo contra la oxidación.
- Si almacena la parrilla afuera, cúbrala con una cubierta para protegerla de las inclemencias del tiempo.

IDENTIFICACIÓN Y CORRECCIÓN DE PROBLEMAS

PROBLEMA	CAUSA	REMEDIO
Hornilla no quiere encender	<ol style="list-style-type: none"> 1. Revise el nivel de gas LP en el cilindro. 2. Mala chispa del electrodo. 3. La hornilla no queda bien sentada. 4. Puede haber una obstrucción en la hornilla. 5. La válvula del cilindro puede estar cerrada. 6. El regulador no está asentado debidamente en la válvula del cilindro. 	<ol style="list-style-type: none"> 1. Reemplace el cilindro de gas LP. 2. Revise para ver si el fósforo o cerillo enciende. El electrodo o colector puede necesitar un ajuste. 3. Vuelva a asentar la hornilla. 4. Quite las obstrucciones de la hornilla. 5. Abra la válvula del cilindro. 6. Vuelva a asentar el regulador sobre la válvula del cilindro.
Fuego en la perilla de control	<ol style="list-style-type: none"> 1. Los orificios de la hornilla pueden estar obstruidos. 2. La hornilla no queda bien asentada sobre la válvula de control. 3. Las conexiones de gas pueden estar sueltas. 	<ol style="list-style-type: none"> 1. Quite las obstrucciones de la hornilla. 2. Vuelva a asentar la hornilla sobre la válvula de control. 3. Revise si hay fugas y apriete todas las conexiones.
Hornilla tiene llamas amarillas	<ol style="list-style-type: none"> 1. Hay una obstrucción en la hornilla 	<ol style="list-style-type: none"> 1. Quite las obstrucciones de la hornilla.
La llama se apaga en "LOW"	<ol style="list-style-type: none"> 1. Los orificios de la hornilla pueden estar obstruidas. 2. La hornilla no queda bien asentada sobre la válvula de control. 3. La parrilla no ha sido precalentada lo suficiente. 	<ol style="list-style-type: none"> 1. Quite las obstrucciones de los orificios de la hornilla. 2. Vuelva a asentar la hornilla sobre la válvula de control. 3. Precaliente la parrilla lo suficiente.
Hornilla no puede calentarse lo suficiente	<ol style="list-style-type: none"> 1. El dispositivo de control del flujo ha sido activado en el regulador. 	<ol style="list-style-type: none"> 1. Reajuste el regulador apagando el gas en el cilindro LP. Desconecte el regulador del tanque. Vuelva a unir el regulador al tanque.
Parrilla está demasiado caliente	<ol style="list-style-type: none"> 1. Demasiada grasa acumulada causa incendios. 2. Regulador dañado o defectuoso. 3. Cocine a temperatura mas baja. 	<ol style="list-style-type: none"> 1. Limpíe las piezas del ahumador muy bien. 2. Reemplácelas con piezas idénticas. 3. Baje la altura de la llama y la temperatura.

Get it fixed, at your home or ours!

Your Home

For expert troubleshooting and home solutions advice:

manage my home

www.managemyhome.com

For repair – **in your home** – of **all** major brand appliances, lawn and garden equipment, or heating and cooling systems, **no matter who made it, no matter who sold it!**

For the replacement parts, accessories and owner's manuals that you need to do-it-yourself.

For Sears professional installation of home appliances and items like garage door openers and water heaters.

1-800-4-MY-HOME® (1-800-469-4663)

Call anytime, day or night (U.S.A. and Canada)

www.sears.com www.sears.ca

Our Home

For repair of carry-in items like vacuums, lawn equipment, and electronics, call anytime for the location of your nearest

Sears Parts & Repair Service Center

1-800-488-1222 (U.S.A.)

www.sears.com

1-800-469-4663 (Canada)

www.sears.ca

To purchase a protection agreement on a product serviced by Sears:

1-800-827-6655 (U.S.A.)

1-800-361-6665 (Canada)

Para pedir servicio de reparación a domicilio, y para ordenar piezas:

1-888-SU-HOGAR®

(1-888-784-6427)

Au Canada pour service en français:

1-800-LE-FOYER^{MC}

(1-800-533-6937)

www.sears.ca

Sears

© Registered Trademark / TM Trademark / SM Service Mark of Sears Brands, LLC

© Marca Registrada / TM Marca de Fábrica / SM Marca de Servicio de Sears Brands, LLC

^{MC} Marque de commerce / ^{MD} Marque déposée de Sears Brands, LLC

© Sears Brands, LLC

Free Manuals Download Website

<http://myh66.com>

<http://usermanuals.us>

<http://www.somanuals.com>

<http://www.4manuals.cc>

<http://www.manual-lib.com>

<http://www.404manual.com>

<http://www.luxmanual.com>

<http://aubethermostatmanual.com>

Golf course search by state

<http://golfingnear.com>

Email search by domain

<http://emailbydomain.com>

Auto manuals search

<http://auto.somanuals.com>

TV manuals search

<http://tv.somanuals.com>