



COMPONENT WOOFER INSTALLATION INSTRUCTION MANUAL

MOUNTING LOCATION

Carefully select a suitable mounting location for the speaker/tweeter. Be sure to check behind the mounting location selected for adequate space for speaker/tweeter depth. Use the included template if needed

MOUNTING HOLE

SPEAKER : Using a sharp knife or razor, cut the panel using the outline from the template as a guide. Also, drill holes for the mounting screws if installing on metal panels.

INSTALLATION

SPEAKER : Place ABS grill on top of speaker and secure assembly using the self tapping screw provided. *NOTE : If not using the included grill, grill mount does not have to be installed.

TWEETER : Screw the angle mounting to the location selected or use the double sided tape provided to stick the flush mounting to the location selected.

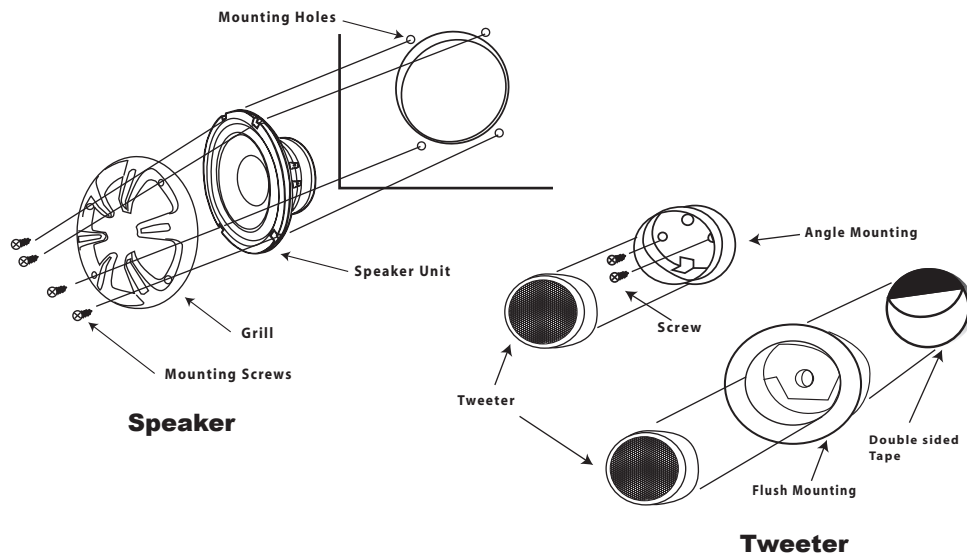
WIRING

SPEAKER: Carefully route the supplied wire to the speaker, ensuring that it does not pass over any sharp metal edges that will damage the signal path. Connect the terminal ends of the wires to the speakers, watching that the left/right and positive/negative connections are made correctly to the appropriate outputs of the radio or amplifier.

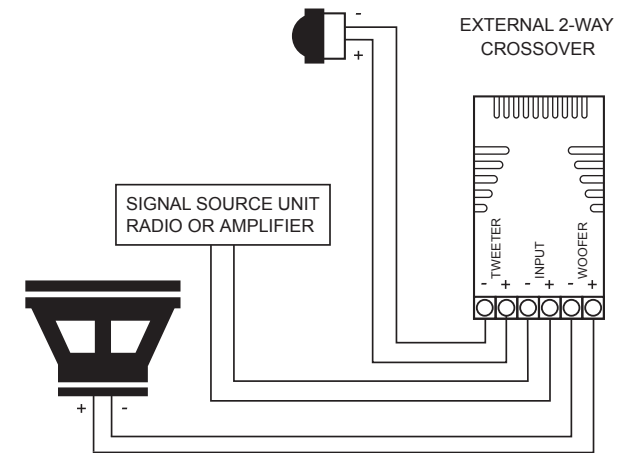
TWEETER: Feed the wires from the tweeter through the flush/angle mounting opening and connect these wires to the line wires coming from the included outboard crossover tweeter terminals. Push the tweeter into the flush/angle mounting until the tweeter sits nicely into the mounting.

*NOTE : When installing tweeter with flush mount kit, a hot glue gun is sometimes necessary to secure the tweeter's flush mount housing.

INSTALLATION PROCEDURE :



COMPONENT WIRING DIAGRAM:



SPECIFICATIONS :

MODEL : IFC-525

5.25" 2-Way High Definition Component System

5.25" Injection PP Mica Cone Rubber Surround and 1" Titanium Dome Tweeter with Neodymium Magnet

Peak Power Handling	: 300Watts
Continuous Power (RMS)	: 150 Watts
Impedance	: 4 Ohm
Magnet Weight	: 10 Oz
Sensitivity (1W/m)	: 91 dB
Freq. Response	: 50Hz - 25kHz
Woofer Voice Coil Dia.	: 1" (25mm) ASV
Fo (Freq. Resp.)	: 92.06 Hz
Qts (Total Q)	: 0.82
Vas	: 4.1 Lt
Crossover	: 12dB/Oct

MODEL : IFC-650

6.5" 2-Way High Definition Component System

6.5" Injection PP Mica Cone Rubber Surround and 1" Titanium Dome Tweeter with Neodymium Magnet

Peak Power Handling	: 350Watts
Continuous Power (RMS)	: 175 Watts
Impedance	: 4 Ohm
Magnet Weight	: 13 Oz
Sensitivity (1W/m)	: 91 dB
Freq. Response	: 40Hz - 25kHz
Woofer Voice Coil Dia.	: 1" (25mm) ASV
Fo (Freq. Resp.)	: 53.1 Hz
Qts (Total Q)	: 0.61
Vas	: 12.42 Lt
Crossover	: 12dB/Oct

Interfire Audio Inc. Santa Fe Springs, CA, www.interfireaudio.com

Free Manuals Download Website

<http://myh66.com>

<http://usermanuals.us>

<http://www.somanuals.com>

<http://www.4manuals.cc>

<http://www.manual-lib.com>

<http://www.404manual.com>

<http://www.luxmanual.com>

<http://aubethermostatmanual.com>

Golf course search by state

<http://golfingnear.com>

Email search by domain

<http://emailbydomain.com>

Auto manuals search

<http://auto.somanuals.com>

TV manuals search

<http://tv.somanuals.com>