



**FACSIMILE EQUIPMENT
PARTS REFERENCE LIST**

MODEL: MFC8220
(For U.S.A / Canada)

© Copyright Brother 2004

All rights reserved

No part of this publication may be reproduced in any form or by any means without permission in writing from the publisher.

Specifications are subject to change without prior notice.

NOTES FOR USING THIS PARTS REFERENCE LIST

1. In the case of ordering parts, it needs mentioning the following items:

- (1) Code
- (2) Q' ty
- (3) Description

Note: No orders without Parts Code or Tool No. can be accepted.

[Example]

REF.NO.	(1) CODE	(2) Q' TY	(3) DESCRIPTION	REMARKS

2. Design-changed parts:

When the parts are changed, any one of the following symbols is mentioned in the REMARKS column.

CNG(cng) : The part is changed to a new part.

ADD(add) : The part is newly added.

DEL(del) : The part is deleted.

Symbol in capital letters indicates that the change is the latest one in the page.

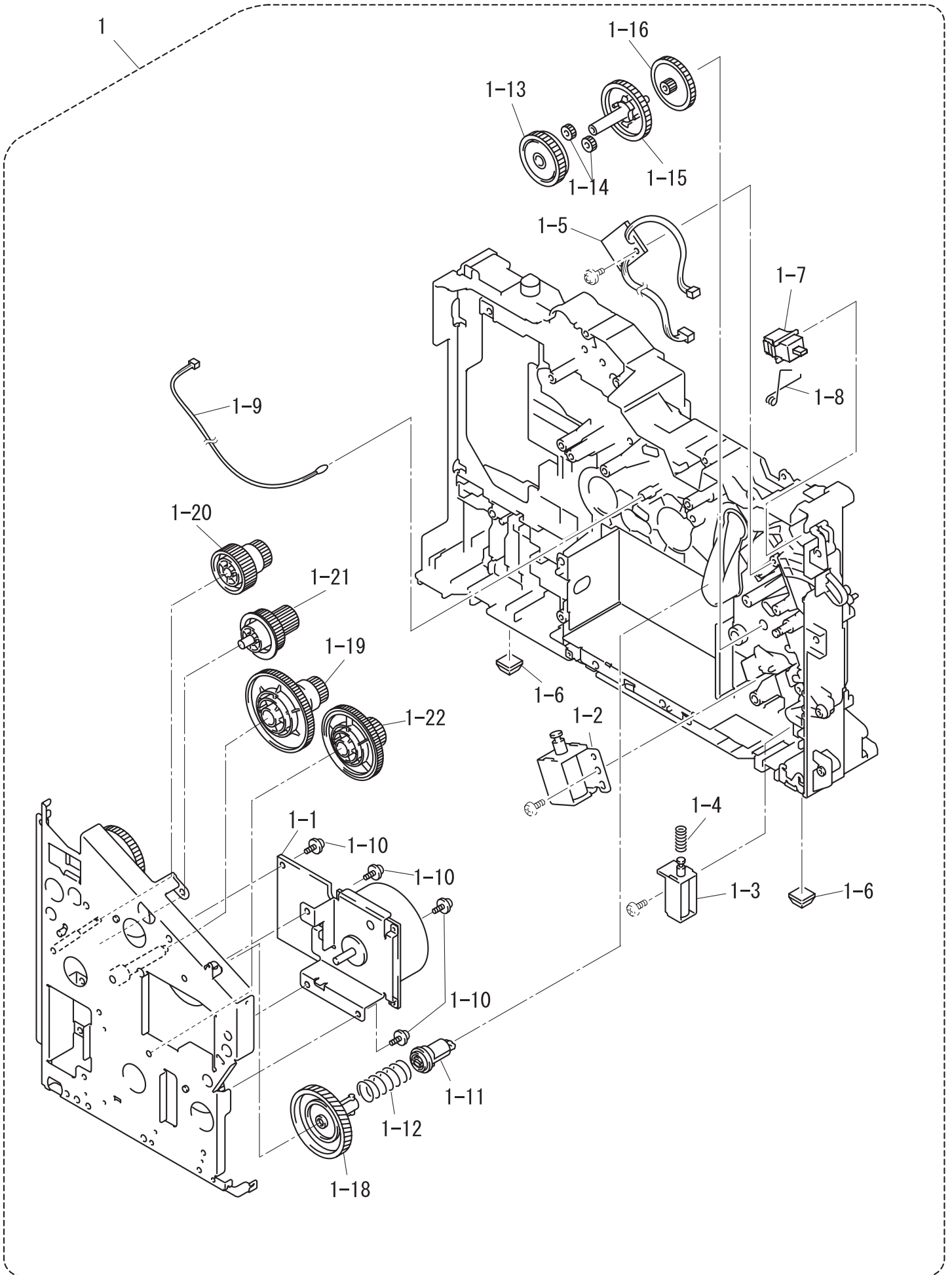
3. Parts change will be informed by the technical information.

COUNTRIES

U.S.A. ----- USA

CANADA ----- CAN

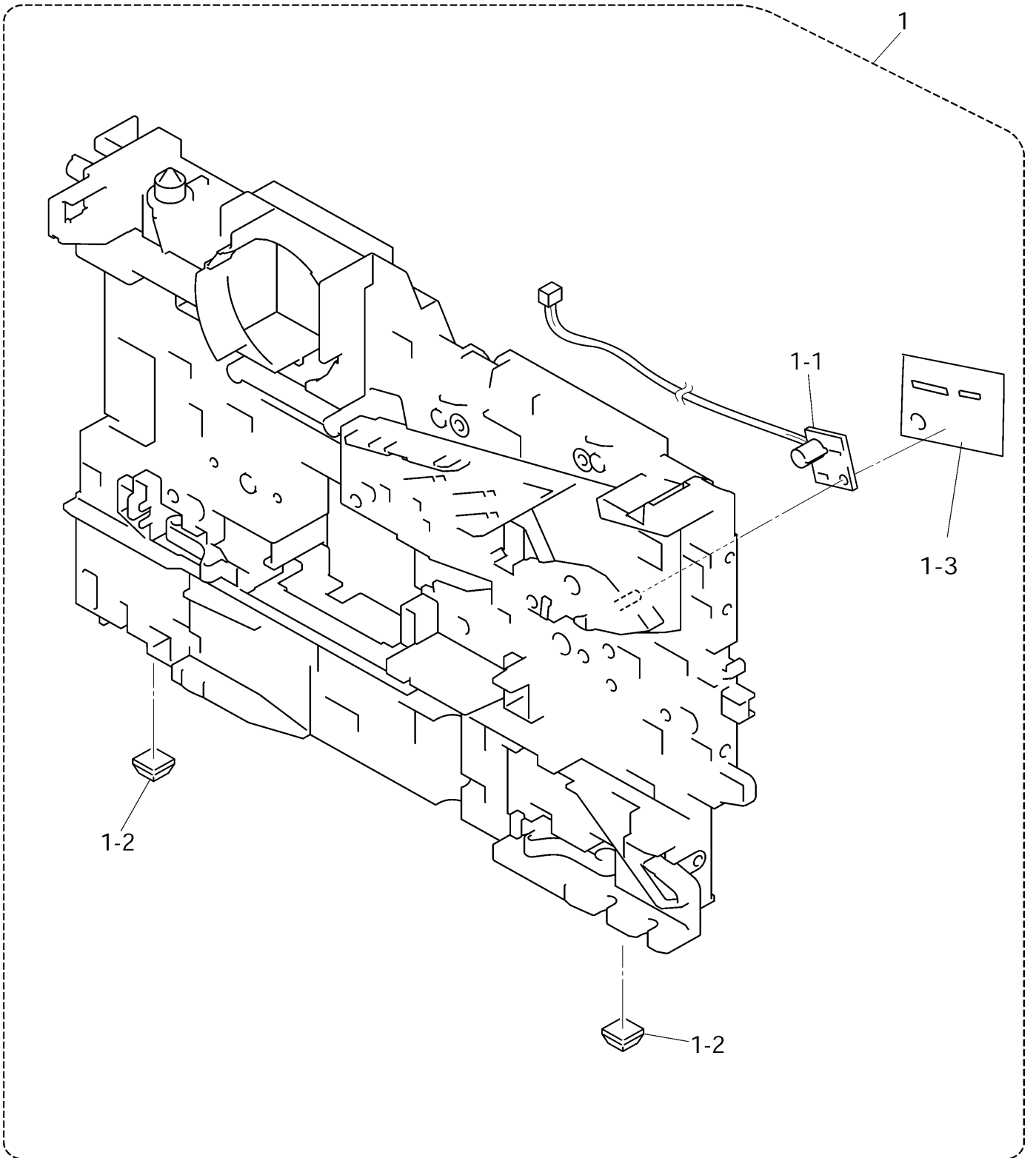
1. FRAME L



LIST1(FRAME L)

REF No.	CODE	Q'TY	DESCRIPTION	RECOMMEND	REMARKS
1	LF2561001	1	MAIN FRAME L UNIT		
1-1	LM2440001	1	MAIN MOTOR ASSY		
1-2	LJ7386001	1	F/R SOLENOID ASSY		
1-3	LJ7391001	1	P/R SOLENOID ASSY		
1-4	LJ5014001	1	SOLENOID RELEASE SPRING P/R		
1-5	LJ9166001	1	TONER LED PCB UNIT ASSY		
1-6	LJ7403001	2	RUBBER FOOT		
1-7	LG3218001	1	DOCUMENT COVER SENSOR		
1-8	LJ7784001	1	SENSOR CLIP		
1-9	LG4518001	1	THERMISTOR ASSY		
1-10	087320616	4	TAPTITE, CUP S M3X6		
1-11	LJ7377001	1	DEVELOP JOINT		
1-12	LJ7376001	1	JOINT SPRING		
1-13	UH3044000	1	GEAR, 40/54Y		
1-14	UL6569000	2	GEAR 17 PLANETARY		
1-15	UL8977001	1	GEAR 45 ARM F/R		
1-16	LM2444001	1	GEAR 20 CENTER F/R		
1-17	---		N/A		
1-18	LJ7375001	1	DEV DRIVE GEAR ZL2		add
1-19	UL8958001	1	GEAR 25/130		add
1-20	LJ5051001	1	FUSER DRIVE GEAR		add
1-21	LJ5049001	1	PENDULUM GEAR 24/57		ADD
1-22	LM2439001	1	GEAR 54/100 E		ADD

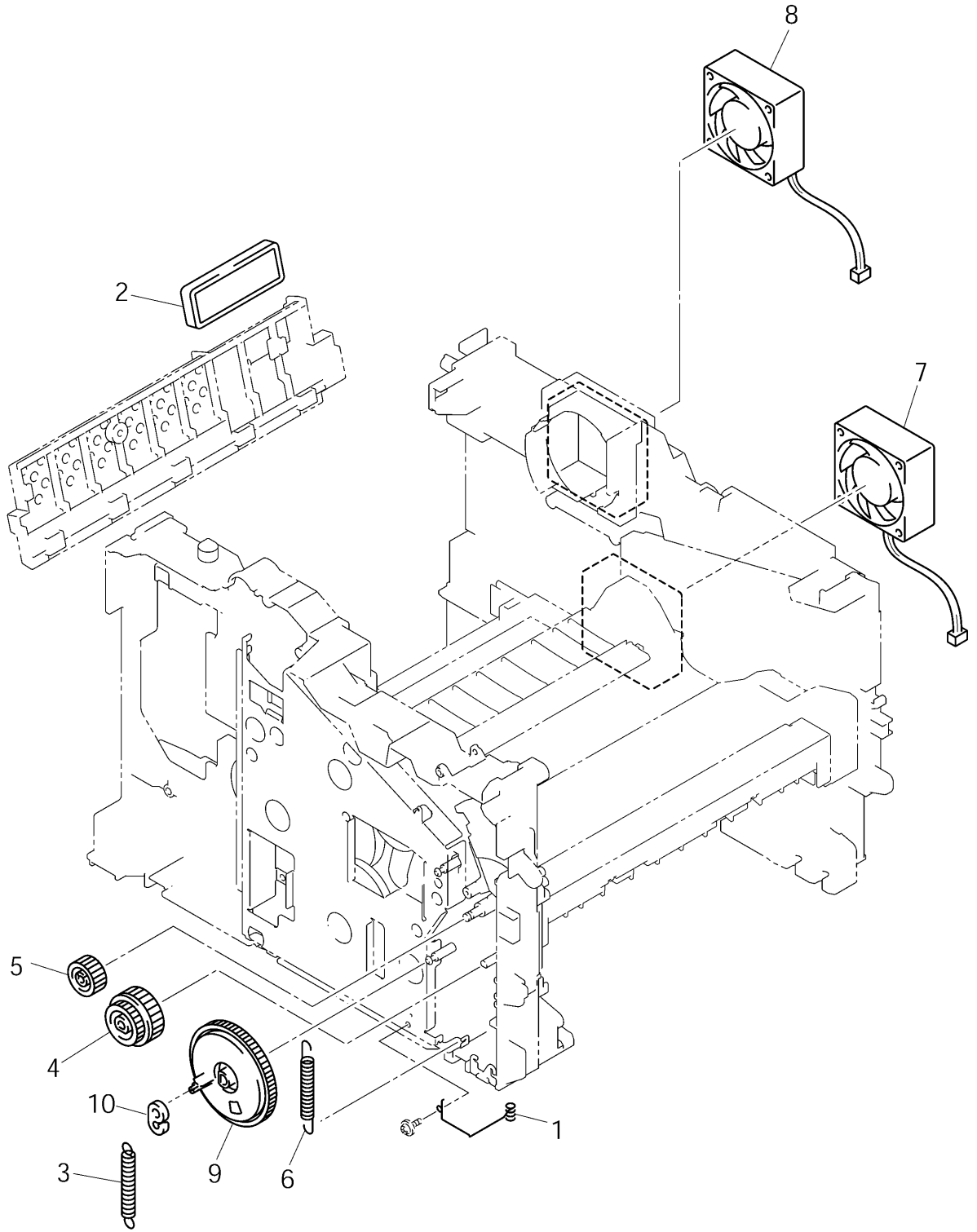
2. FRAME R



LIST2(FRAME R)

REF No.	CODE	Q'TY	DESCRIPTION	RECOMMEND	REMARKS
1	LM2733001	1	MAIN FRAME R UNIT		
1-1	LJ9612001	1	TONER SENSOR PCB UNIT		
1-2	LJ7403001	2	RUBBER FOOT		

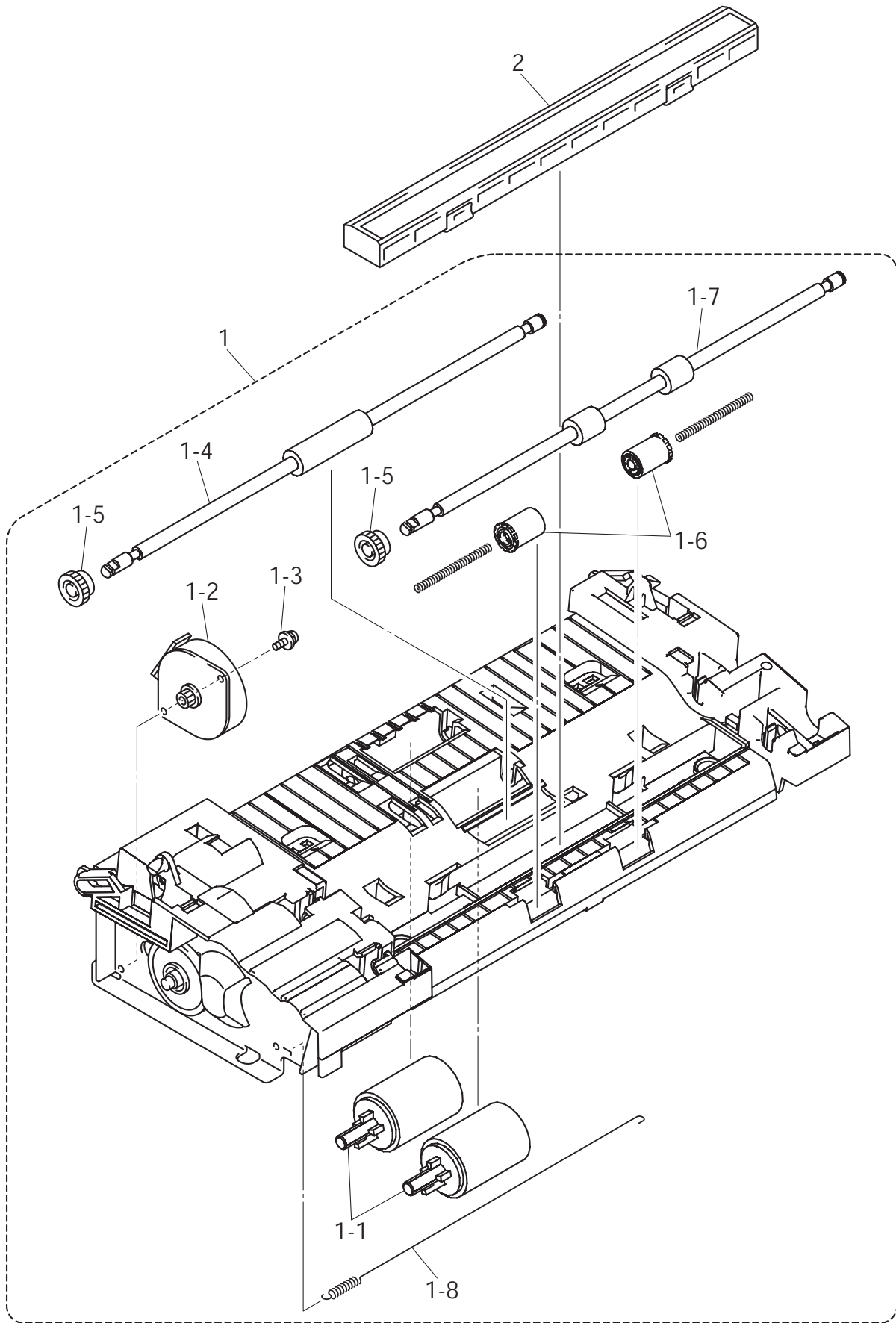
3. FRAME UNIT



LIST3(FRAME UNIT)

REF No.	CODE	Q'TY	DESCRIPTION	RECOMMEND	REMARKS
1	LJ7490001	1	GROUND SPRING		
2	LU0951001	1	FILTER T7 ASSY		CHG
3	LJ7496001	1	SPRING, EXTENSION P/R		
4	LJ7501001	1	MIDDLE ROLLER GEAR		
5	LJ7502001	1	IDLE GEAR 22		
6	LJ7504001	1	GROUND WIRE		
7	LM2473001	1	FAN MOTOR 60 UNIT LV		
8	LM2474001	1	FAN MOTOR 60 UNIT		
9	LM2720001	1	SECTOR GEAR PR ASSY		add
10	UH2378000	1	SPRING HOOK		add

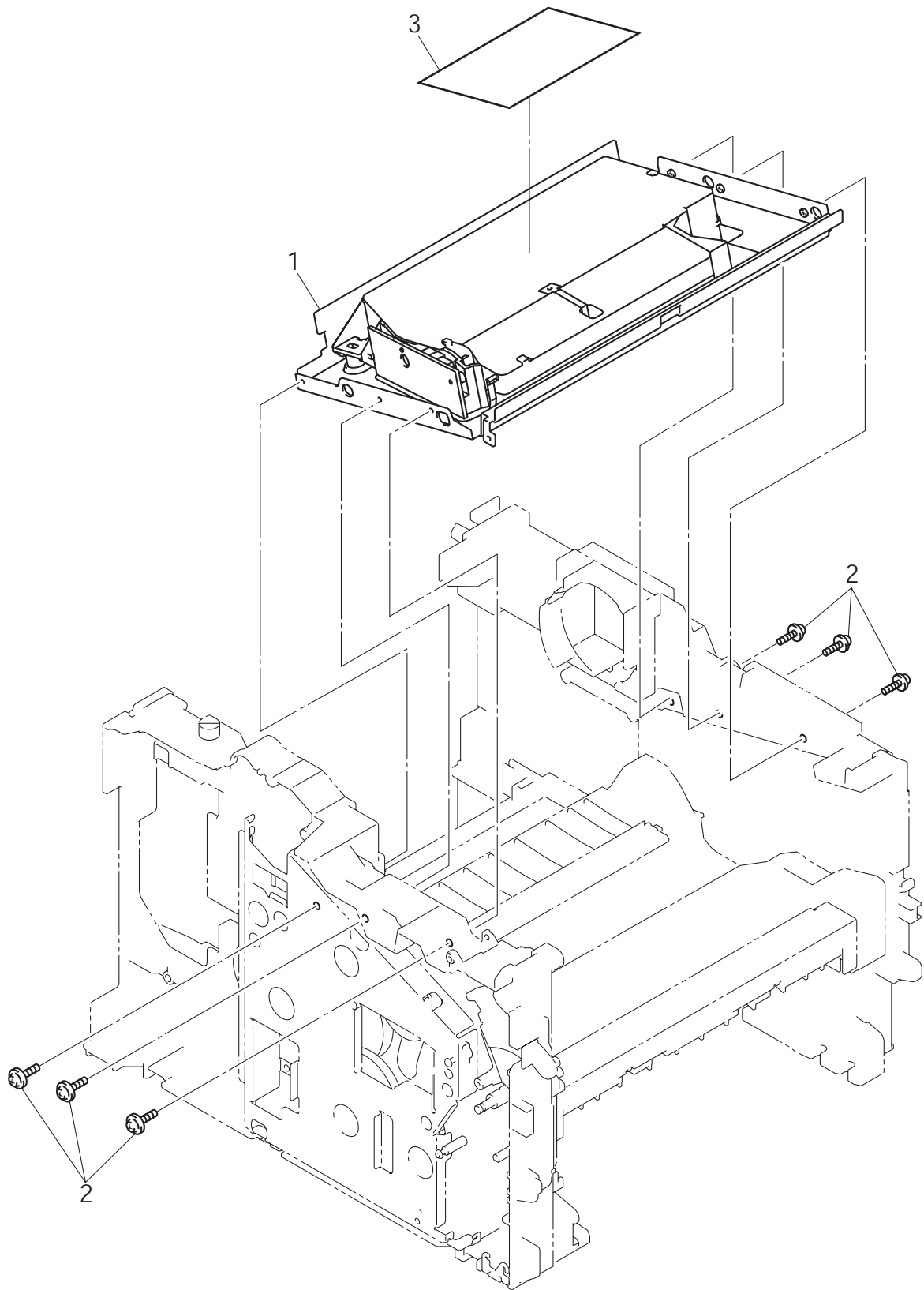
4. DOCUMENT SCANNER



LIST4(DOCUMENT SCANNER)

REF No.	CODE	Q'TY	DESCRIPTION	RECOMMEND	REMARKS
1	LF2320001	1	DOCUMENT CHUTE ASSY		
1-1	LF2361001	2	DOCUMENT SEPARATION ROLLER		
1-2	LF2136001	1	SCANNING MOTOR		
1-3	0A4300605	1	SCREW, PAN (S/P WASHER) M3X6		
1-4	UU2029001	1	LF ROLLER		
1-5	LE1196001	2	LF ROLLER GEAR		
1-6	UL6244002	2	EJECTION ROLLER B4		
1-7	UU2031001	1	EJECTION ROLLER		
1-8	LF2336001	1	LF GROUND SPRING		
2	LE7949001	1	CIS UNIT	√	

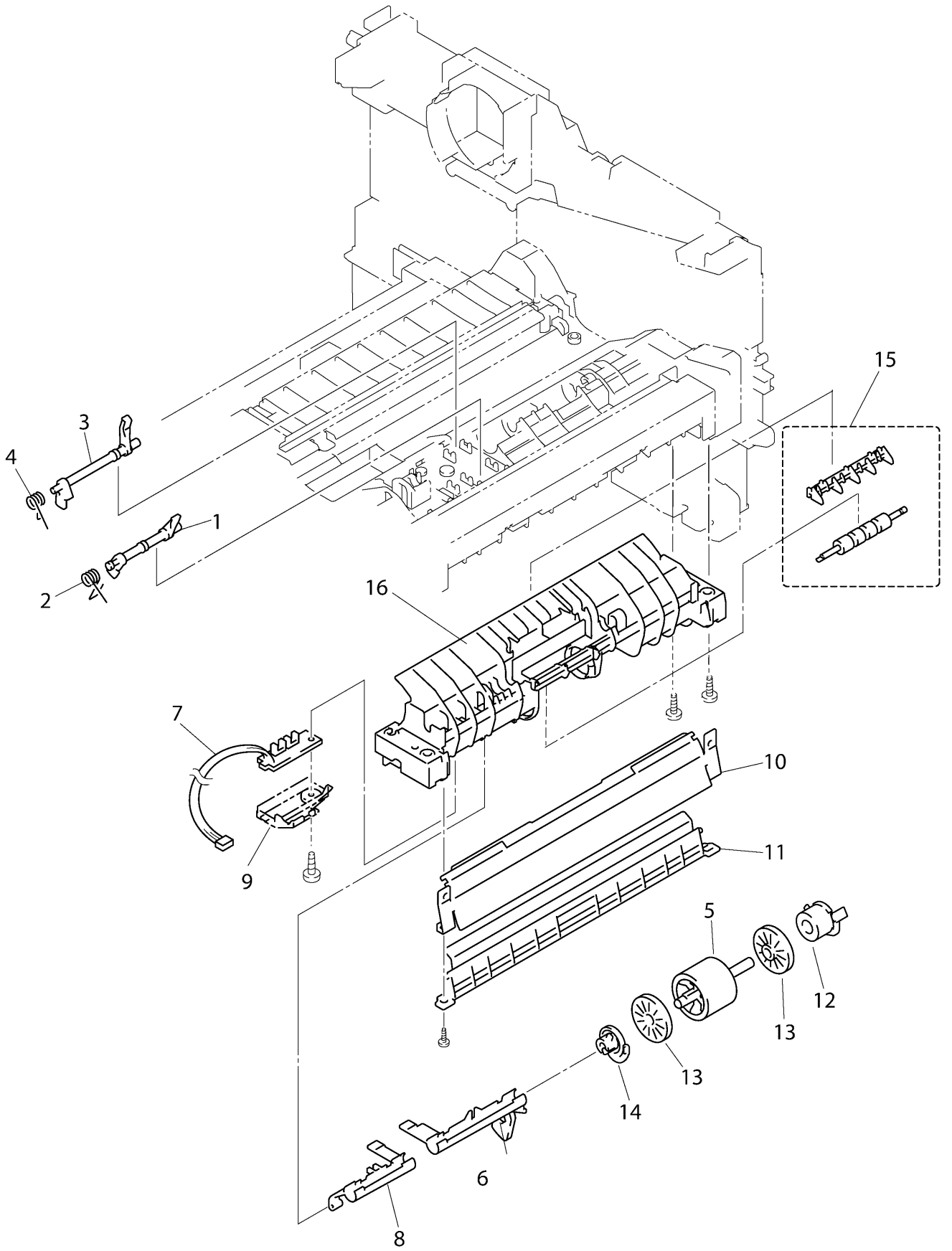
5. LASER UNIT



LIST5(LASER UNIT)

REF No.	CODE	Q'TY	DESCRIPTION	RECOMMEND	REMARKS
1	LU0706001	1	LASER UNIT (SP)	√	CHG
2	087320815	6	TAPTITE, CUP S M3X8		
3	LJ0908001	1	LASER CAUTION LABEL		

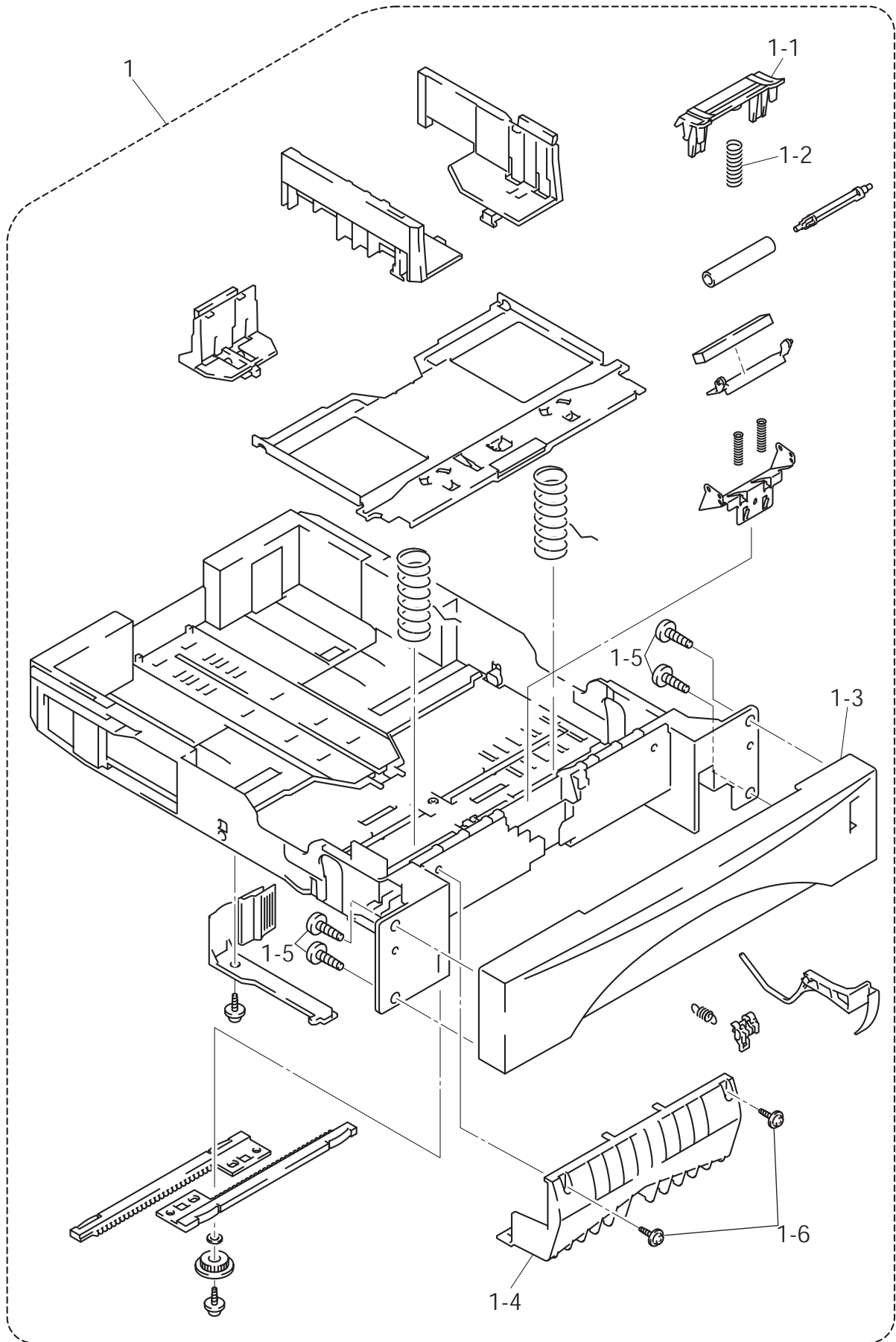
6. PAPER FEEDER



LIST6(PAPER FEEDER)

REF No.	CODE	Q'TY	DESCRIPTION	RECOMMEND	REMARKS
1	LJ7322001	1	REGIST FRONT ACTUATOR		
2	LM2590001	1	REGIST FRONT ACTUATOR SPRING		
3	LJ7324001	1	REGIST REAR ACTUATOR		
4	LJ7325001	1	REGIST REAR ACTUATOR SPRING		
5	LJ7703001	1	PAPER PICK-UP ROLLER ASSY		
6	LM2601001	1	PE ACTUATOR		
7	LJ9235001	1	CASSETTE SENSOR PCB ASSY		
8	LJ5155001	1	CA ACTUATOR		
9	LJ5211001	1	PE SENSOR COVER		
10	LM2033001	1	FRONT CHUTE GUIDE ASSY		
11	LM2032001	1	FRONT TRAY CHUTE ASSY		
12	LJ5020001	1	BUSH L		
13	LJ5021001	1	BUSH R		
14	LJ7730001	2	ROLLER COLLAR		
15	LU0508001	1	ROLLER 6 GUIDE/ ROLLER (SP)		CHG
16	LJ7342001	1	FRONT CHUTE		

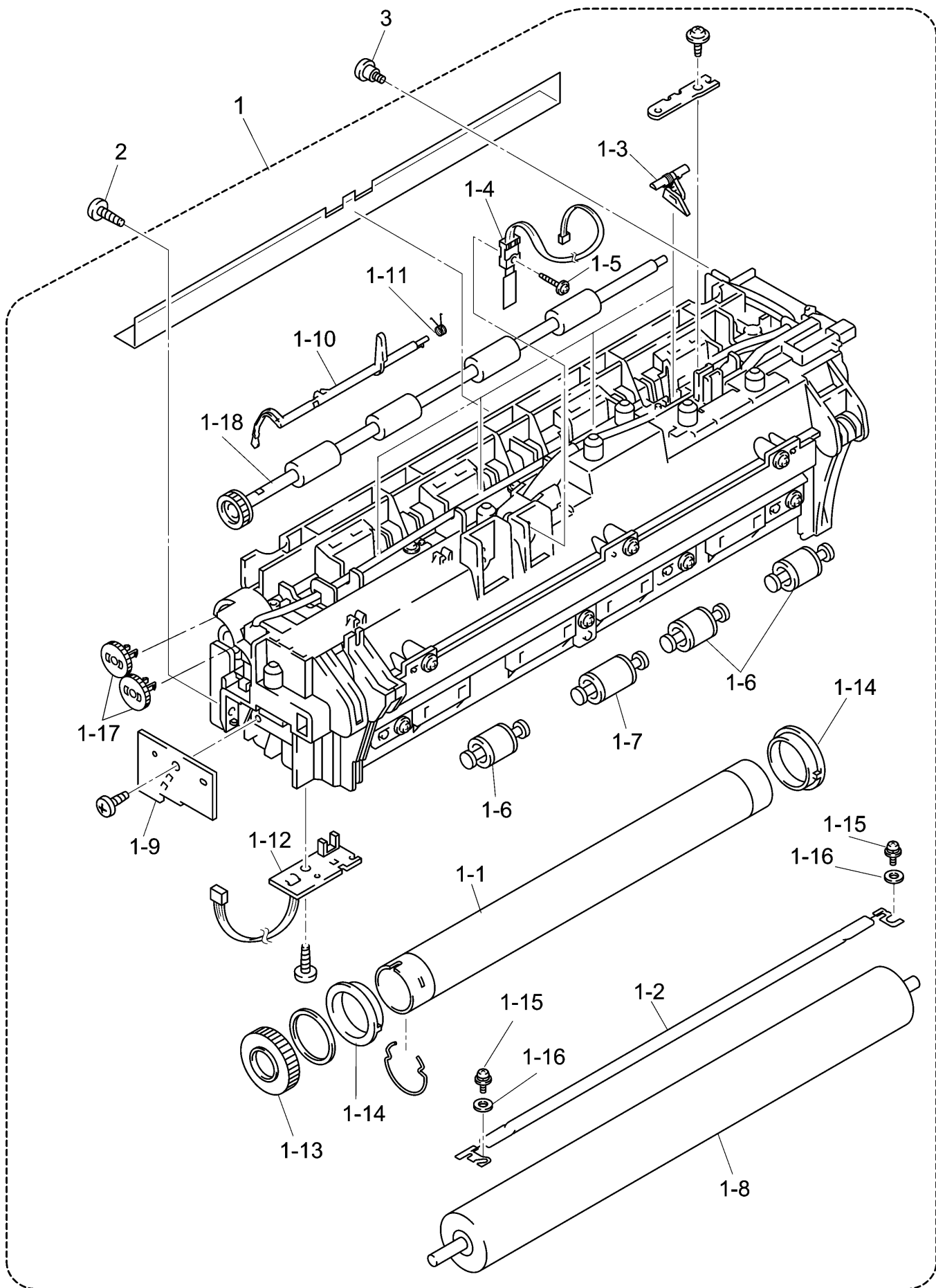
7. PAPER TRAY



LIST7(PAPER TRAY)

REF No.	CODE	Q'TY	DESCRIPTION	RECOMMEND	REMARKS
1	LJ7607001	1	PAPER TRAY ASSY		
1-1	LJ7307001	1	PAD HOLDER		
1-2	LJ5923001	1	SEPARATION PAD SPRING		
1-3	LJ7608001	1	PAPER TRAY FRONT COVER LT		
1-4	LJ7616001	1	PAPER TRAY COVER		
1-5	085411216	4	TAPTITE, BIND B M4X12		
1-6	087311016	2	TAPTITE, CUP B M3X10		

8. FIXING UNIT



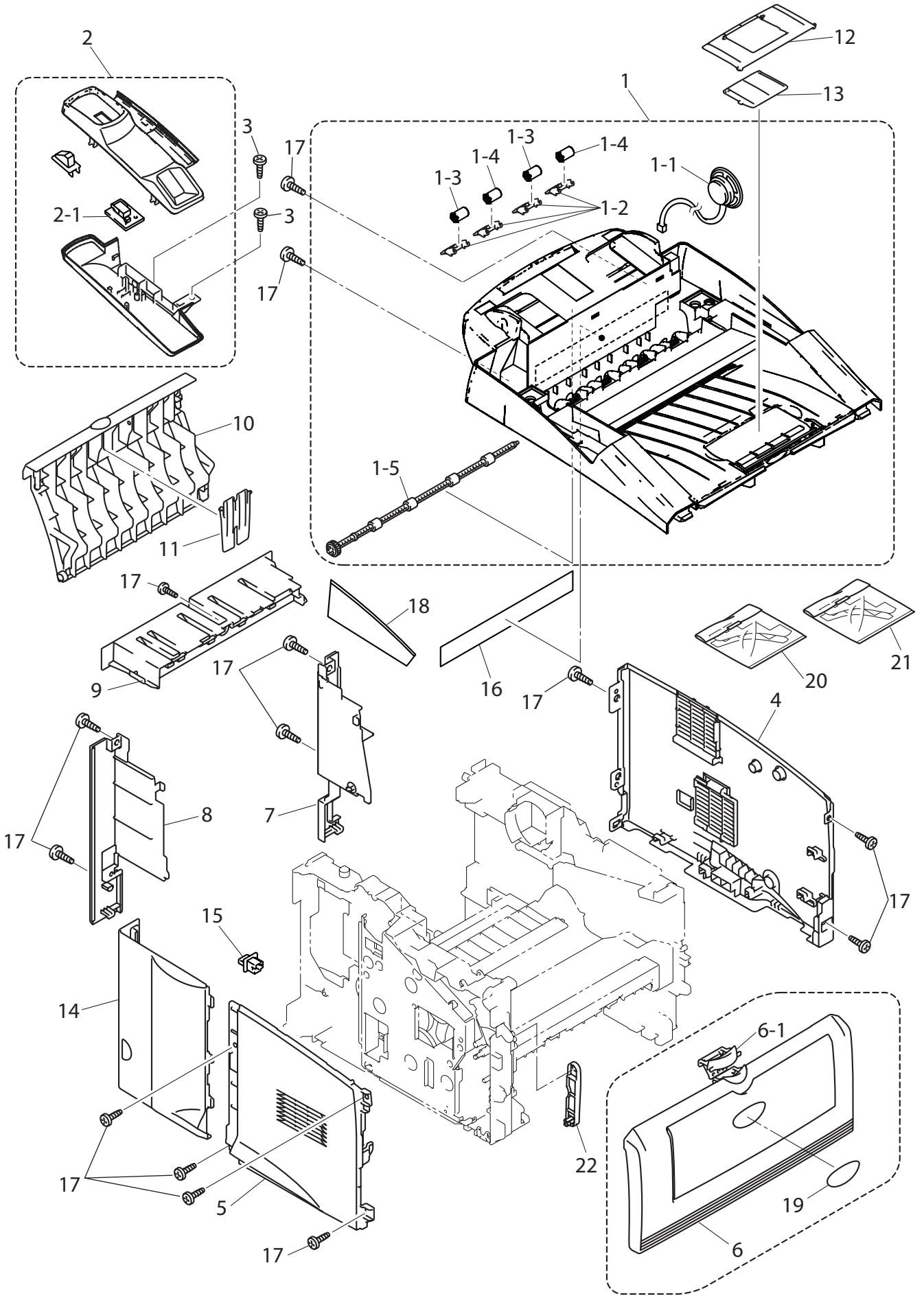
LIST8(FIXING UNIT)

REF No.	CODE	Q'TY	DESCRIPTION	RECOMMEND	REMARKS
1	LM2579001	1	FIXING UNIT, 115V (SP) **1	√	
1	LU1422001	1	FIXING UNIT 2 , 115V (SP) **1	√	ADD
1-1	LM2706001	1	HEAT ROLLER 25		
1-2	LJ7417001	1	HALOGEN LAMP, 115V		
1-3	LJ7877001	4	SEPARATE CLAW ASSY		
1-4	LJ7419001	1	THERMISTOR ASSY		
1-5	087311215	1	TAPTITE, CUP B M3X12		
1-6	LJ7428001	3	CLEANER PINCH ROLLER ASSY S		
1-7	LJ7432001	1	CLEANER PINCH ROLLER ASSY L		
1-8	LM2477001	1	PRESSURE ROLLER 25		
1-9	LJ9174001	1	THERMISTOR RELAY PCB ASSY		
1-10	LJ5289001	1	PAPER EJECT ACTUATOR		
1-11	LJ5066001	1	EJECT ACTUATOR SPRING		
1-12	LJ9176001	1	EJECT SENSOR PCB ASSY		
1-13	LJ7416001	1	HR GEAR 34		
1-14	LJ7414001	2	HR BEARING 25		
1-15	LM2254001	2	SCREW, PAN (S/P WASHER) M26X8		
1-16	LM2255001	2	WASHER, PLAIN 26		
1-17	LM2047001	2	IDLE GEAR 13		
1-18	LJ4118001	1	EJECT ROLLER ASSY		
2	085411216	1	TAPTITE, BIND B M4X12		
3	LJ4740001	1	SHOULDER SCREW		

**1There are two types of FIXING UNIT

When you replace FIXING UNIT, please refer to Parts Change Information:1000027963 because you need to know which FIXING UNIT on the above list should be replaced.

9. COVERS

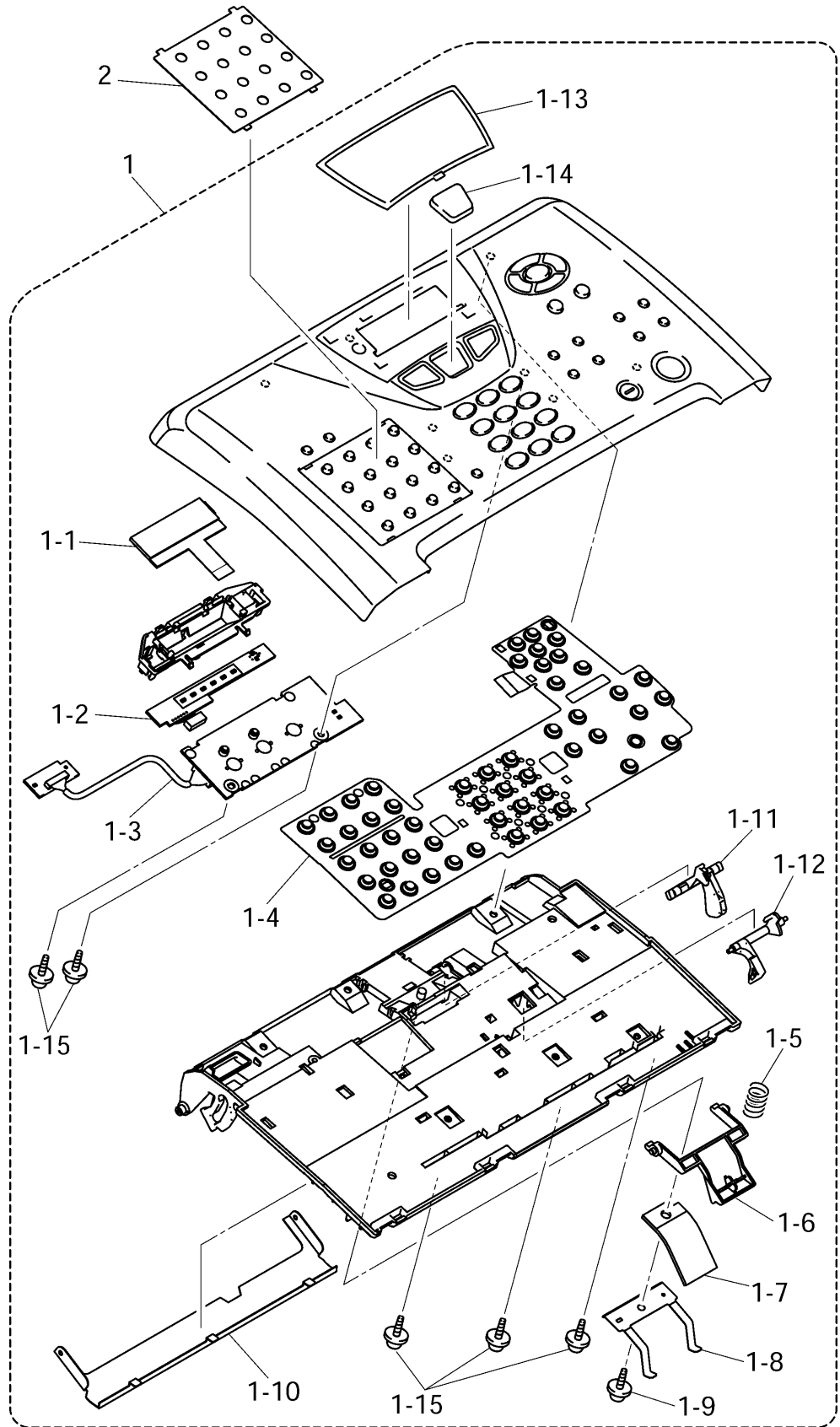


LIST9(COVERS)

REF No.	CODE	Q'TY	DESCRIPTION	RECOMMEND	SYMBOL	REMARKS
1	LF6245001	1	TOP COVER ASSY			chg
1	LP2319001	1	TOP COVER ASSY WITH RIB*			add
1-1	LG5021001	1	SPEAKER ASSY			
1-2	UL9123001	4	PINCH ROLLER HOLDER			
1-3	LJ7912001	2	CORRUGATION PINCH ROLLER L			
1-4	LJ7911001	2	CORRUGATION PINCH ROLLER R			
1-5	LJ7445001	1	EJECTION ROLLER ASSY ZL2			add
2	LS0182001	1	HANDSET HOLDER PL ASSY			chg
2-1	LG4419002	1	HOOK PCB ASSY		B53K651	
3	087311016	2	TAPTITE, CUP B M3X10			
4	LJ7453001	1	SIDE COVER R			
5	LM2448001	1	SIDE COVER L			
6	LM2724001	1	FRONT COVER ASSY			
6-1	LJ7463001	1	FRONT COVER RELEASE BUTTON			add
7	LJ7465001	1	REAR COVER R			
8	LF2277001	1	REAR COVER L			
9	LJ7467001	1	REAR COVER C			
10	LJ7469001	1	OUTER CHUTE			
11	----		NOT USED			
12	LJ7895001	1	PAPER STOPPER			
13	LJ7896001	1	PAPER STOPPER S			
14	LF2455001	1	ACCESS COVER			
15	----		NOT USED			
16	LJ7353001	1	HEATER CAUTION LABEL REAR			
17	085411216	14	TAPTITE, BIND B M4X12			
18	----		NOT USED			
19	LE8812001	1	BROTHER EMBLEM			add
20	LF6741001	1	TOP COVER RIB ASSY SF (SP)			add
21	LP2008001	1	TOP COVER RIB ASSY SF 2 (SP)			add
22	LU1325001	1	LINK			CHG

*TOP COVER ASSY WITH RIB consists of TOP COVER ASSY, 9 pieces of TOP COVER RIB SF and 2 pieces of TOP COVER RIB SF 2.

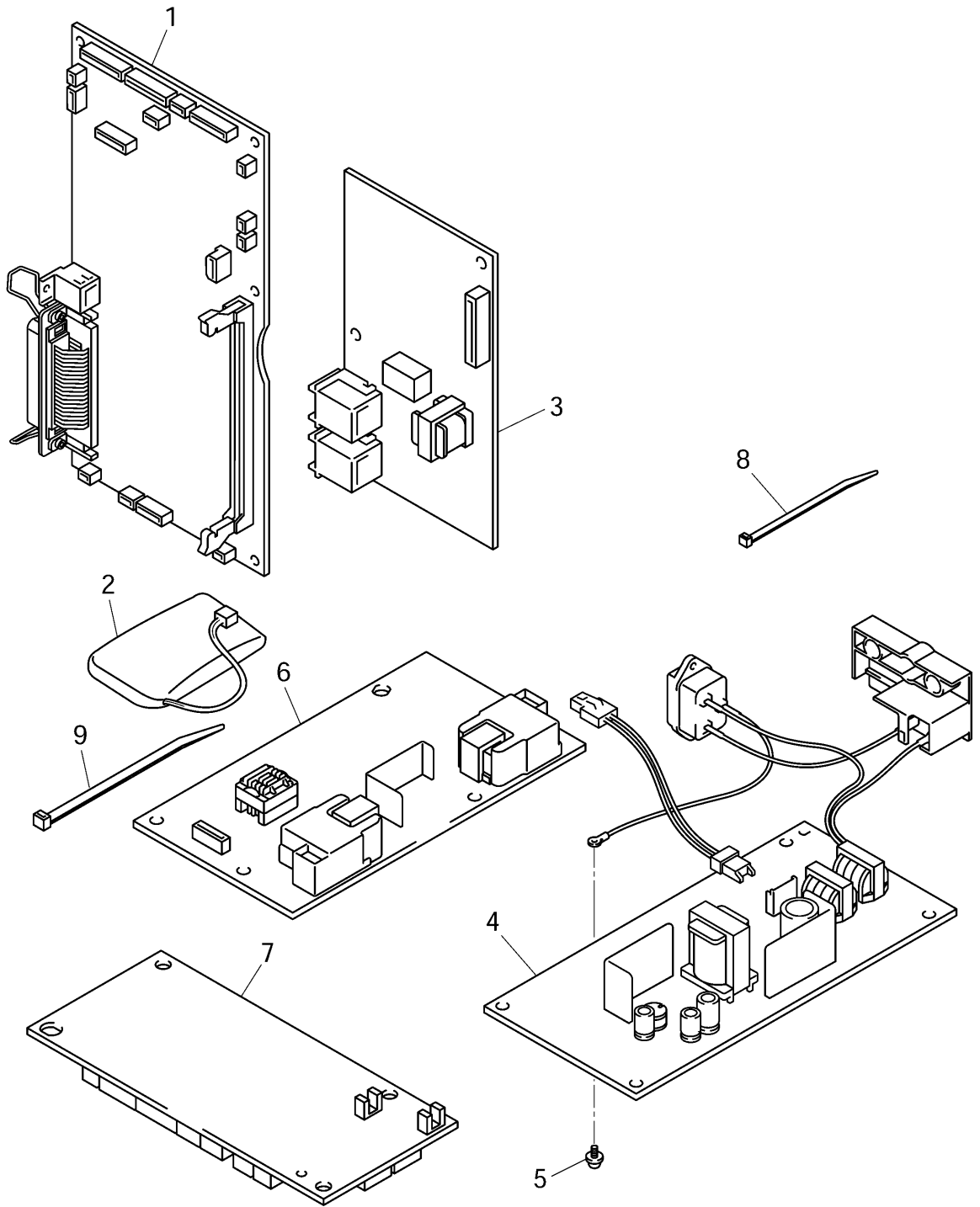
10. PANEL



LIST10(PANEL)

REF No.	CODE	Q'TY	DESCRIPTION	RECOMMEND	SYMBOL	REMARKS
1	LF6221001	1	PANEL ASSY			chg
1-1	LG5063001	1	LCDLMG162C53-TT			
1-2	LG5064001	1	BACK LIGHT PCB ASSY		B53K721	
1-3	LG5276001	1	PANEL PCB ASSY		B53K720	
1-4	LG5225001	1	KEY, FPC ASSY			CHG
1-5	LF2233001	1	RUBBER HOLDER SPRING			
1-6	UU2054001	1	RUBBER HOLDER			
1-7	UU2055001	1	SEPARATION RUBBER			
1-8	UU2056001	1	SPRING PLATE, ADF FRONT			
1-9	087310615	1	TAPTITE, CUP B M3X6			
1-10	LE6342001	1	DOCUMENT HOLD ASSY			
1-11	LF2203001	1	ACTUATOR F			
1-12	LF2204001	1	ACTUATOR R			
1-13	LF2206001	1	LCD SHEET			
1-14	----	1	NOT USED			
1-15	087310815	5	TAPTITE, CUP B M3X8			
2	LF2209001	1	ADDRESS LABEL			

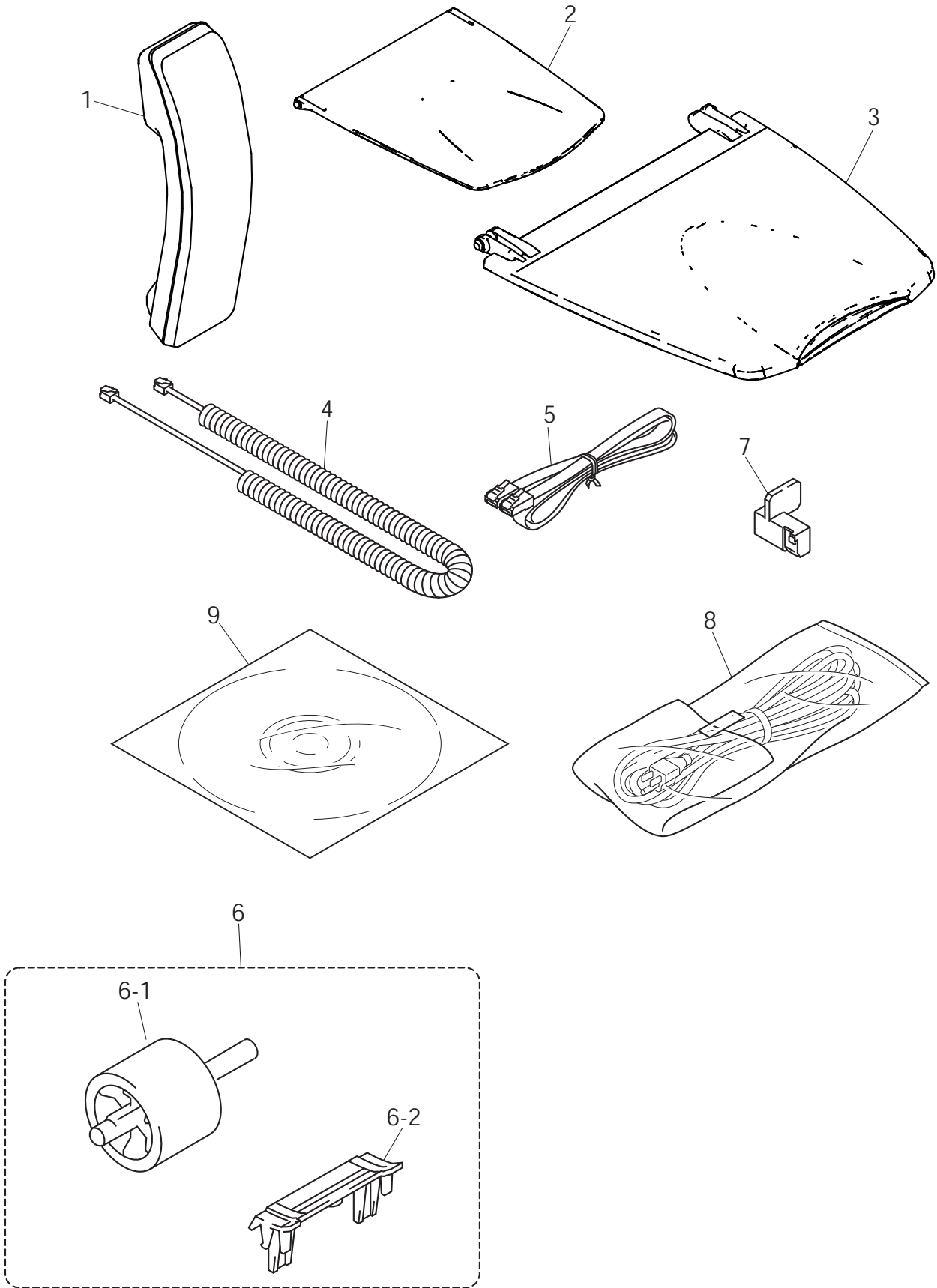
11. PCB



LIST11(PCB)

REF No.	CODE	Q'TY	DESCRIPTION	RECOMMEND	SYMBOL	REMARKS
1	LT0427001	1	MAIN PCB ASSY, MFC8220	√	B53K949	chg
1	LT0427072	1	MAIN PCB ASSY, MFC8120NCH	√	B53K949	add
2	LG5307001	1	BATTERY ASSY			
3	LT1518021	1	NCU PCB ASSY FOR CAN	√	B57T017	CHG
3	LT1518022	1	NCU PCB ASSY FOR US	√	B57T017	CHG
4	LG6408001	1	PS PCB UNIT 115V			chg
5	LM2048001	1	SCREW, PAN (S/P WASHER) M3.5X6			
6	LG4401001	1	HIGH-VOLTAGE PS PCB ASSY			
7	LG4404001	1	ENGINE PCB ASSY			
8	LJ8657001	1	BINDER 2.3X79			
9	LF2607001	1	BINDER 3.6X137			

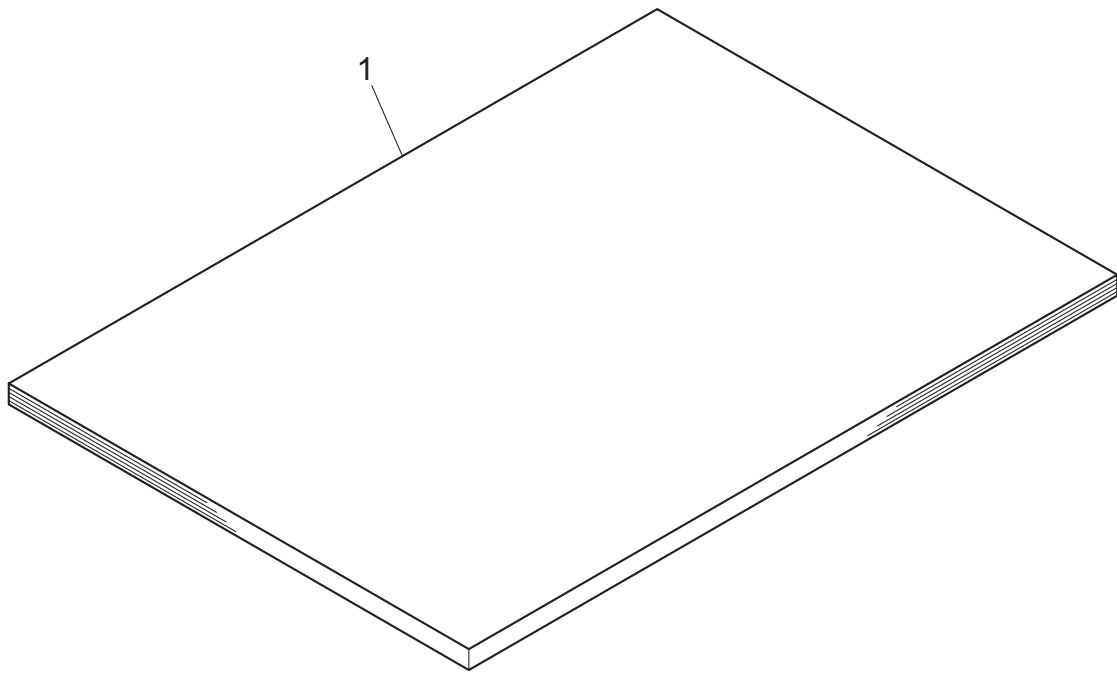
12.ACCESSORIES



LIST12(Accessories)

REF No.	CODE	Q'TY	DESCRIPTION	RECOMMEND	REMARKS
1	UF6857010	1	HANDSET ASSY		
2	LF2369001	1	DOCUMENT SET TRAY ASSY2		
3	LF2370001	1	PAPER EJECT TRAY ASSY2		
4	LF2519008	1	HANDSET CURLED CORD LL ASSY		
5	LG3077001	1	TELEPHONE LINE CORD		
6	LJ7920001	1	PAPER FEEDING KIT		
6-1	LJ7703001	1	PAPER PICK-UP ROLLER ASSY		
6-2	LJ7307001	1	PAD HOLDER		
7	LM2102001	1	FU LAMP ASSEMBLY JIG ASSY		
8	LG4400001	1	AC CORD BAG ASSY LF		
9	LF2669004	4	CD-ROM ASSY, MAC FOR US		del
9	LF6659001	1	CD-ROM ASSY FOR MAC		chg
9	LF2670004	4	CD-ROM ASSY, WIN FOR US		del
9	LF6661001	1	CD-ROM ASSY FOR WIN		chg
9	LS0912001	1	CD-ROM ASSY VISTA FOR US/CAN		add
9	LX2892001	1	CD-ROM ASSY FOR US/CAN (Windows7/8)		CHG

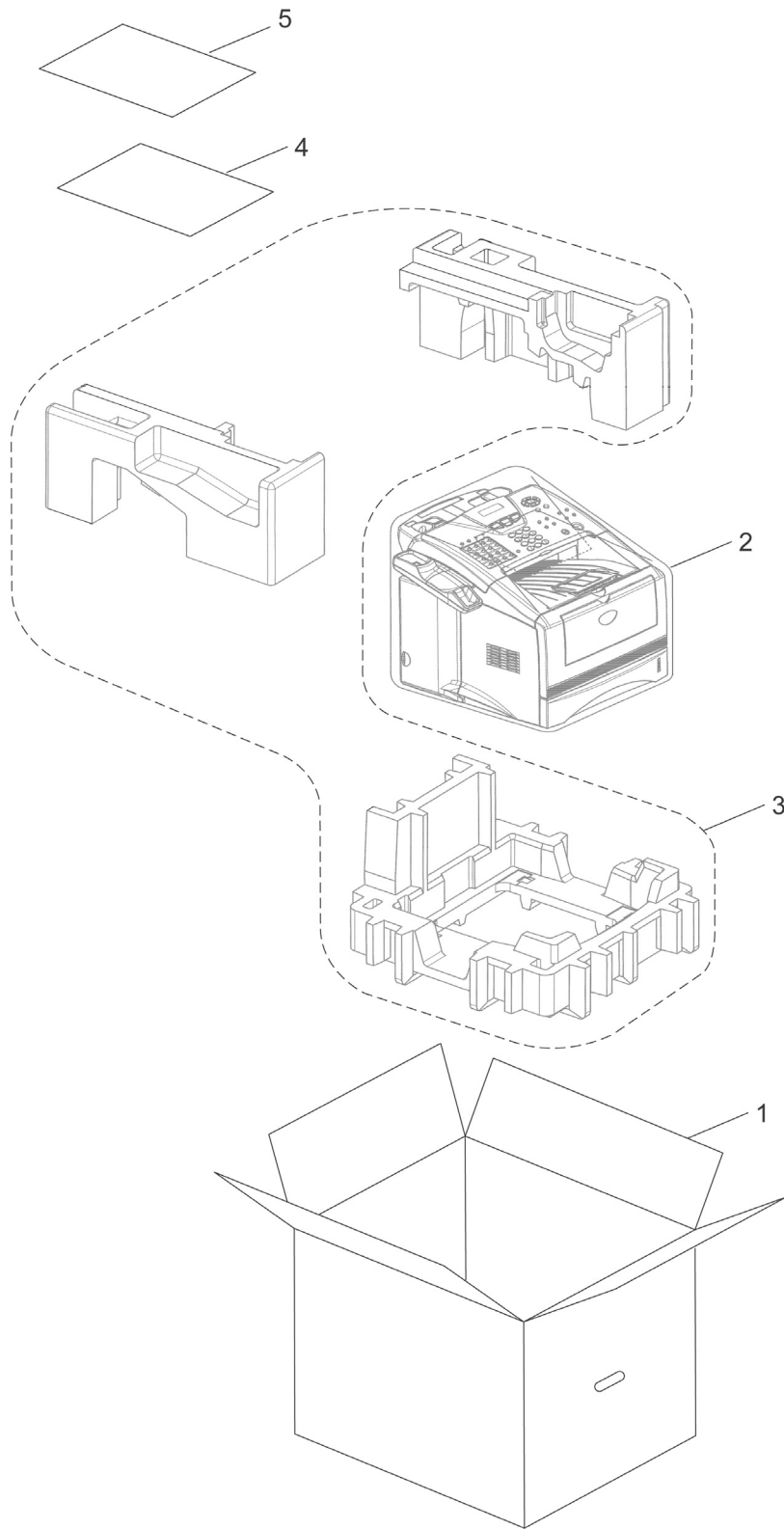
13. PRINTED MATTER



LIST13(PRINTED MATERIALS)

REF No.	CODE	Q'TY	DESCRIPTION	RECOMMEND	REMARKS
1	LF2643001	1	USER'S GUIDE <ENGLISH>		
1	LF2645001	1	USER'S GUIDE FOR CAN <FRENCH>		

14. PACKING MATERIALS



LIST14(PACKING MATERIALS)

REF No.	CODE	Q'TY	DESCRIPTION	RECOMMEND	REMARKS
1	LF2652001	1	CARTON, BROTHER	√	
2	UE1688001	1	PE BAG 1000X1000H		
3	LF2396001	1	POLYSTYRENE PAD ASSY		
4	LF2644001	1	QUICK SETUP GUIDE <ENGLISH>		
4	LF2646001	1	QUICK SETUP GUIDE FOR CAN <FRENCH>		
5	LS0864001	1	QUICK SETUP GUIDE VISTA FOR US/CAN		ADD
5	LS0864002	1	QUICK SETUP GUIDE VISTA FOR CAN		ADD

brother[®]

PL-FAX073
8X5913
Ver. AB-1

Free Manuals Download Website

<http://myh66.com>

<http://usermanuals.us>

<http://www.somanuals.com>

<http://www.4manuals.cc>

<http://www.manual-lib.com>

<http://www.404manual.com>

<http://www.luxmanual.com>

<http://aubethermostatmanual.com>

Golf course search by state

<http://golfingnear.com>

Email search by domain

<http://emailbydomain.com>

Auto manuals search

<http://auto.somanuals.com>

TV manuals search

<http://tv.somanuals.com>