



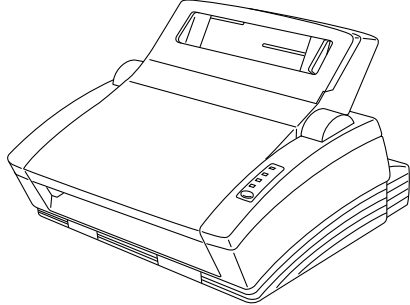
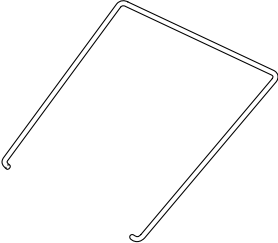
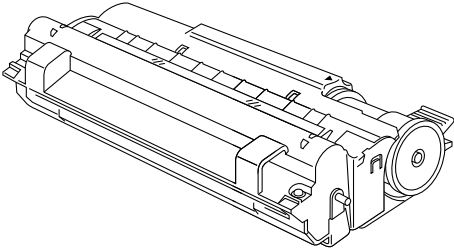
Laser Printer HL-760 Series

Quick Setup Guide

Read this guidebook first to set up your printer and prepare your computer for the printer.
Save all packing materials and outer carton. They are useful when shipping the printer.

Action 1: Check the Supplied Items

After taking the printer out of the carton and removing the packing materials, make sure that the following items are not damaged and none are missing:

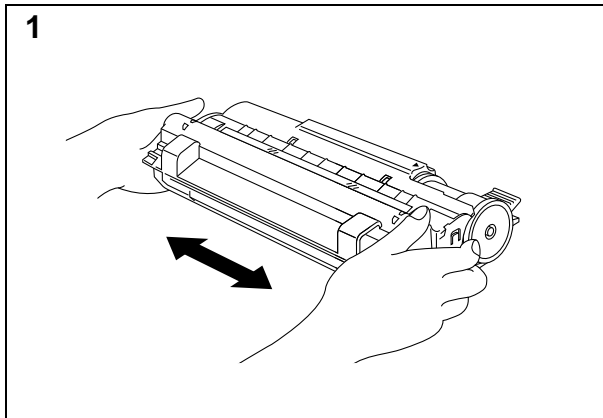
<ul style="list-style-type: none">• Printer 	<ul style="list-style-type: none">• Paper support 
<ul style="list-style-type: none">• Drum unit assembly (with Toner cartridge included) 	

- 3.5" floppy disks for Windows® printer driver and fonts
- Quick setup guide (this guidebook)
- User's guide
- Plastic Bag (for transporting the drum unit assembly)
- Dust Cover

NOTE

You will need to purchase an interface cable that matches the bi-directional IEEE 1284 compliant interface of your computer. If you do not know what cable you need, consult your dealer.

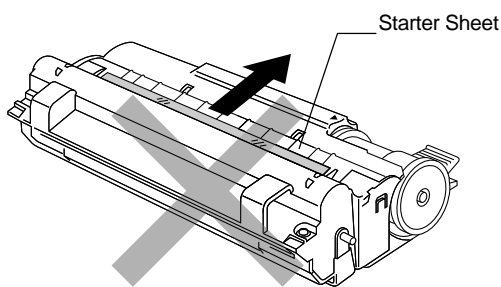
Action 2: Install the Toner Cartridge/Drum Unit



Unpack the drum unit assembly with the toner cartridge included. Gently shake it from side to side five or six times.

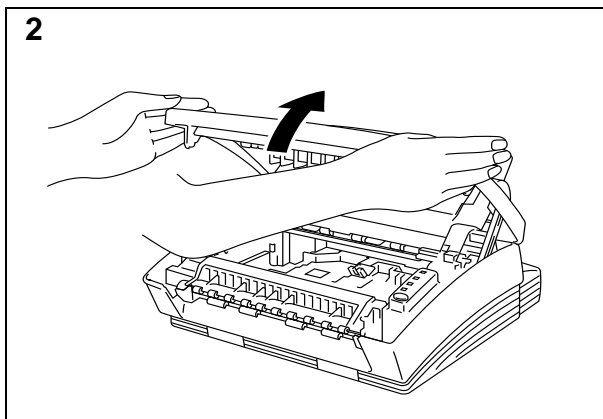
CAUTION

Do not expose the drum unit to light for longer than a few minutes, as this will damage the drum.

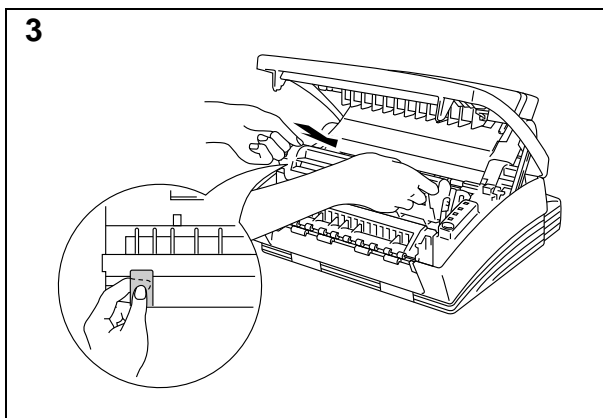


CAUTION

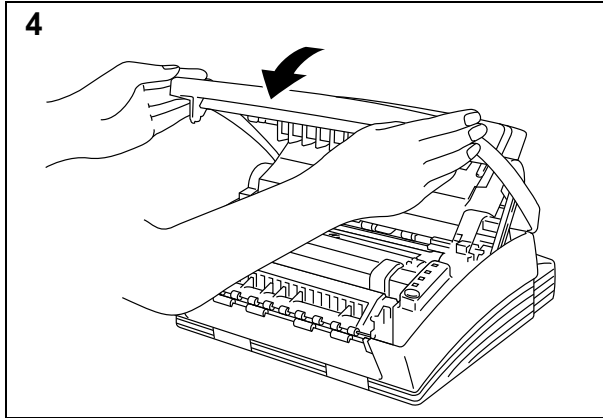
Do not remove the starter sheet. This sheet will be ejected while the printer is warming-up after installing a new drum unit. (See Action 5 Illustration 4)



Open the top cover of the printer. Make sure that the cover is correctly latched open, indicated by a click.



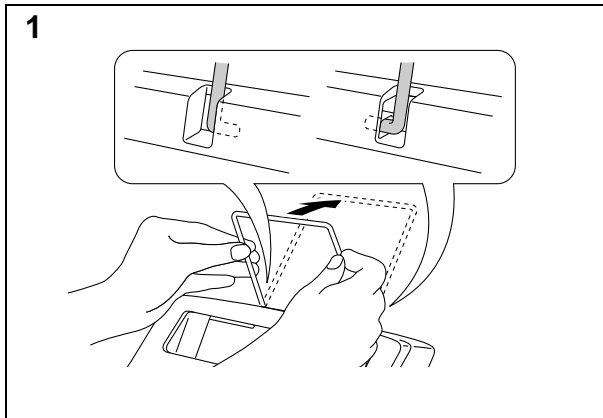
Holding the drum by its handles, install it into the printer.



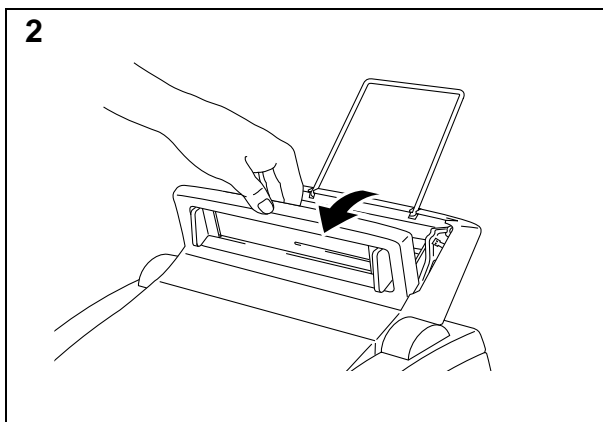
Close the top cover.

See “CHAPTER 5 MAINTENANCE” in the User’s Guide for more information about replacement of the toner cartridge.

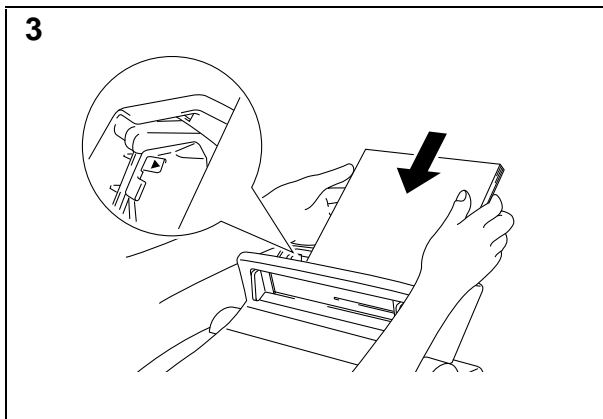
Action 3: Load Paper into Your Printer



Install the paper support onto the multi-purpose sheet feeder.



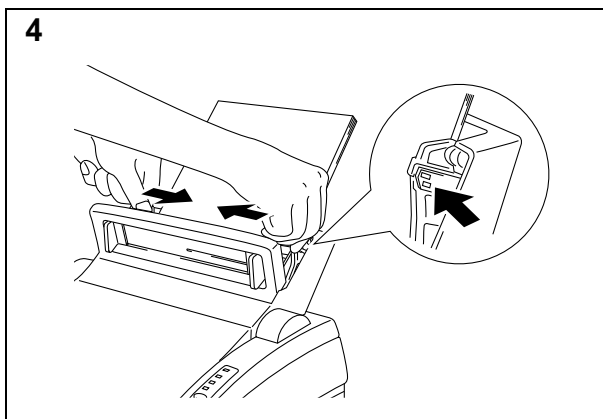
Open the multi-purpose sheet feeder cover.



Load paper in the multi-purpose sheet feeder.

NOTE

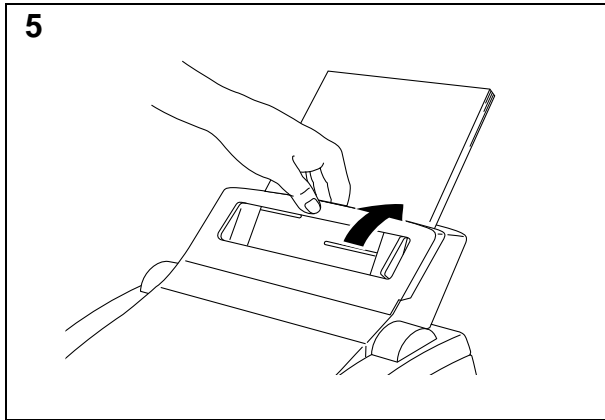
The feeder can hold up to 200 sheets of plain paper or up to 10 envelopes. Excessive sheets may cause paper jams. Make sure that the paper is stacked below the ▲ mark.



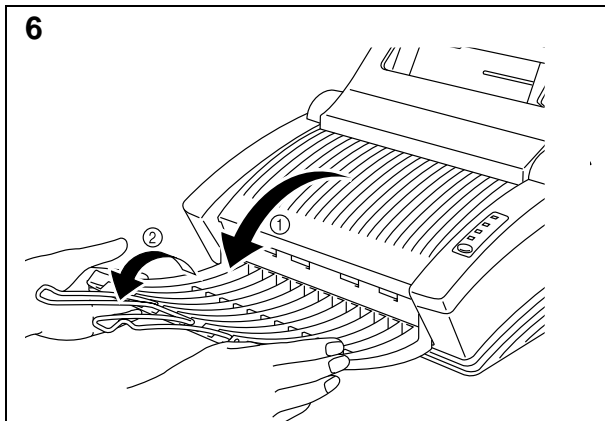
Move the paper guide to fit the paper width.

CAUTION

Failure to set the paper guide to the paper width may cause paper skew and jam.



Close the multi-purpose sheet feeder cover.



Open the output tray. (①)
Extend the extension support wire. (②)

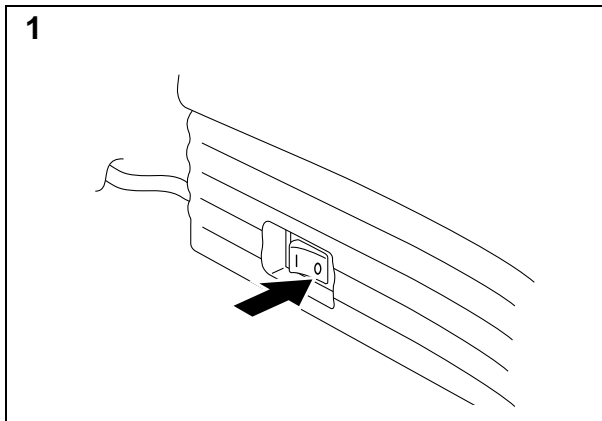
The printer can handle paper within the following specifications:

Paper Type	Paper Size
Cut sheets	A4, Letter, Legal, B5, A5, 3”x 5”, Executive, Custom size (70-216 x 127-356 mm)
Envelopes	DL, C5, COM-10, Monarch, 9” x 12”, C4
Post Card	70-216 x 127-356 mm
Organizer	Day-Timer® J, K, L, M, 70-216 x 127-356 mm
Labels and Transparencies	70-216 x 127-356 mm

See “CHAPTER 2 PAPER HANDLING” in the User’s Guide for more information.

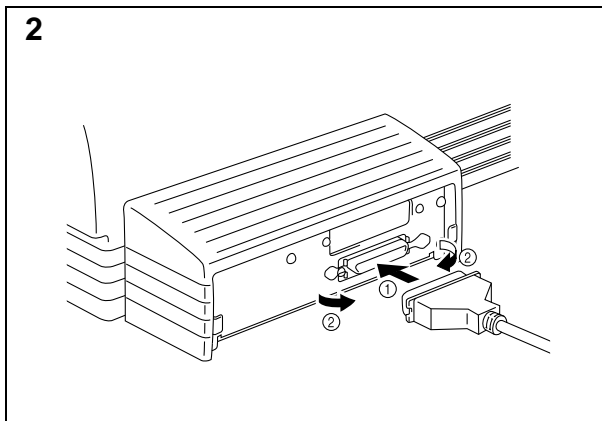
Action 4: Connect Your Printer to Your Computer

You must connect the printer to your computer with a suitable interface cable. A bi-directional IEEE 1284 compliant parallel cable should be used for this connection, unless you are using the optional serial interface board.



Make sure that the printer power switch is off before connecting or disconnecting the interface cable.

Also, make sure that the computer is turned off.



Connect the parallel interface cable (printer cable) to the parallel interface port of the printer. (①)

Secure the connection with the wire clips. (②)

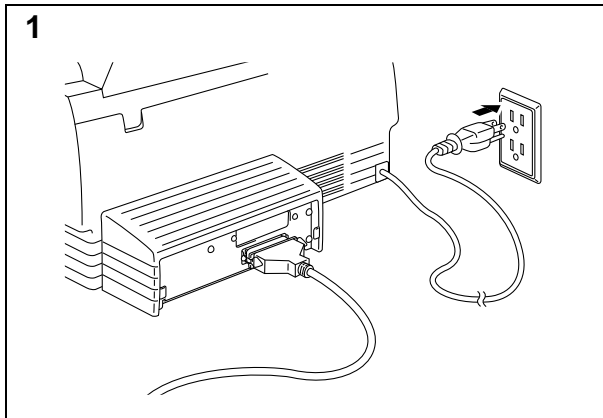
Connect the interface cable to the printer port of the computer.

NOTE

The printer can also operate with an RS-232C/RS-422A serial interface by installing the optional serial interface board. In some countries it might be pre-installed. For more information, see “CHAPTER 4 OPTIONS” in the User’s Guide.

For the location of your computer’s parallel (or serial, if you are using the optional interface board) printer port, refer to the User’s Guide of your computer.

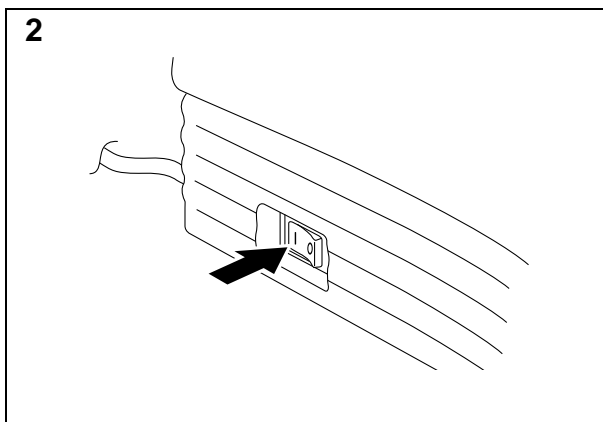
Action 5: Plug in and Turn on Your Printer



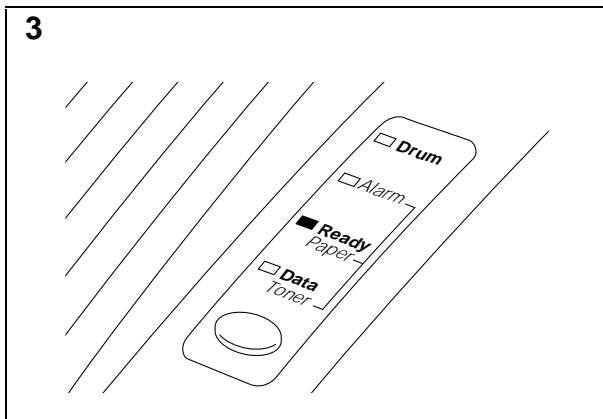
Plug the power cord into the AC power outlet.

NOTE

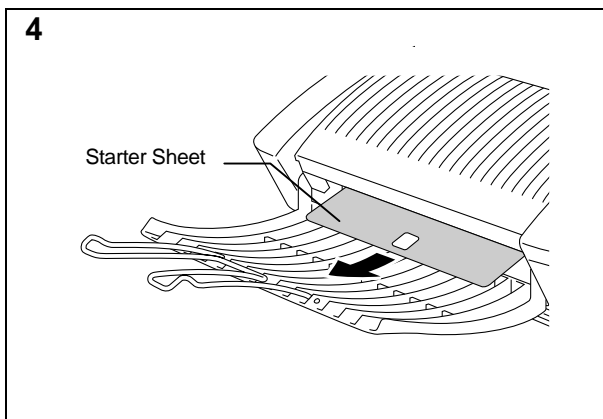
The shape of the power cord varies according to the country of destination.



Turn on the power switch that is located on the left side of your printer.



Make sure that the READY lamp is lit after the printer has warmed up (approximately 20 seconds).



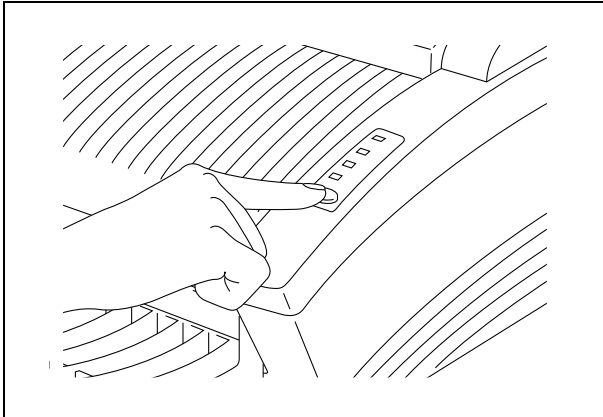
Make sure that the printer automatically ejects the starter sheet while the printer is warming-up immediately after installing a new drum unit. You may discard the starter sheet after it is automatically ejected.

Printing a Test Sample Page

We recommend that you print a test page. Refer to the instructions below.

NOTE

- The following first-print test page operation will be invalid after the printer receives any data from your computer.
- Additional test sample pages can be printed by using the “Test Print Mode” procedure in Chapter 3 of the User’s Guide.



Press the control panel switch.
The printer will start printing a test sample page.

NOTE

The printer can also print settings, fonts, and hexadecimal values of received data. For more information, see “Test Print Mode” in Chapter 3 of the User’s Guide.

NOTE

If the printer does not print a test sample page, see “CHAPTER 6 TROUBLESHOOTING, Q & A” of the User’s Guide. If you are still unable to print a test sample page after reviewing the information in the User’s Guide, consult your dealer.

After printing the test sample page, you are ready to prepare your computer to work with the printer. The software setup varies depending upon your computer and operating system. Refer to the relevant following section:

- Action 6-1: Prepare Windows 95 for the Printer
- Action 6-2: Prepare Windows 3.1 for the Printer
- Action 6-3: Prepare DOS for the Printer
- Action 6-4: Prepare Macintosh for the Printer

Action 6-1: Prepare Windows 95 for the Printer

You need to configure Windows 95 for the printer by installing the printer driver and TrueType™-compatible fonts from the supplied disk into Windows 95.

1. Make sure that your printer is connected to your computer.
2. Turn on your printer.
3. Turn on your computer and start Windows 95. The screen shown on the right should appear. If so, proceed to Step 4, otherwise read the note below.



NOTE

If Windows 95 does not recognize your printer automatically and does not display the message “New Hardware Found” then you should follow these instructions:

1. Click the Start button and choose Run.
2. Insert the supplied disk for Windows into your floppy disk drive.
3. Type A:SETUP and click the OK button or press the Enter key.

After the installer starts, you may skip the following steps and simply follow the instructions that appear on the screen.

4. Make sure that the second option “Driver from disk provided by hardware manufacturer” is checked.
5. Click the OK button. The screen shown on the right appears.



6. Insert the supplied disk for Windows 95 into the floppy disk drive. In most cases, this will be drive A.

NOTE

If you wish to install from a drive other than drive A, type the drive name in the “Copy manufacturer’s files from” box on the screen.

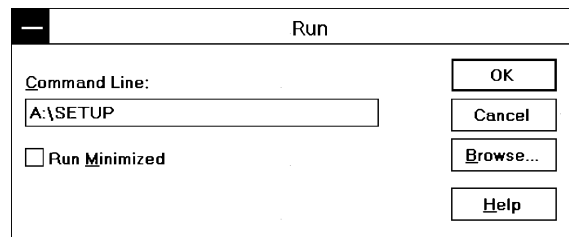
7. Click the OK button.
8. Follow the instructions that appear on the screen.

Action 6-2: Prepare Windows 3.1 for the Printer

You need to configure Windows 3.1 for the printer by installing the printer driver and TrueType-compatible fonts from the supplied disk into Windows 3.1.

Since the supplied printer driver and fonts are compressed on the disk, be sure to use the supplied installer program to install them. These instructions assume you will install the driver and fonts from the disk drive A.

1. Start Windows 3.1.
2. Insert the supplied disk for Windows into your floppy disk drive.
3. Choose Run from the File menu in the Program Manager.
4. Type the drive name where you inserted the supplied disk and "SETUP" in the box: for example, A:\SETUP. Click the OK button or press the Enter key.



5. The installer program will begin. Follow the instructions on the computer screen. (Be sure to restart Windows when the installation process is completed.)

NOTE

- The installer automatically updates your SYSTEM.INI Windows file by adding DEVICE=bi-di.386 under the [386Enh] section. If any bi-directional parallel communications device driver has previously been installed, it will be deactivated by this new driver. If you want to use the driver that was previously installed, you should re-install your previous driver. However, re-installing the previous driver will make the HL-760 series driver inactive.
- The installer makes the installed printer driver the Windows default.
- The installer automatically sets the printer port to the parallel interface, LPT1.
- If you select the status monitor ON, changes have been made to the SYSTEM.INI file. It is necessary to restart Windows so that the changes become effective and the installed bi-directional parallel communications device driver can take effect.

Action 6-3: Prepare DOS for the Printer

How to Use the Printer in Your DOS Application Software (without using the Windows system)

Before working with application software that runs under DOS, if you do not already have a suitable driver installed, you will need to install a printer driver that matches one of the following supported emulations: HP LaserJet 5P, EPSON FX-850, or IBM Proprinter XL printers.

The following table shows the combinations of printer drivers and printer emulation mode. To get the most out of this printer, you should install an HP printer driver in your application software.

Printer driver supported in your application software	Emulation mode to be selected with the remote printer console program
HP LaserJet 5L™/5P™	HP LaserJet 5P emulation mode
HP LaserJet 4™/4L™/4P™ HP LaserJet III™/IIIP™	Auto emulation selection
Epson® FX-850™	Epson FX-850 emulation mode
Epson FX-80™	Auto emulation selection
IBM® Proprinter® XL	IBM Proprinter XL emulation mode
IBM Proprinter	Auto emulation selection

NOTE

- The best or recommended printer driver is indicated in bold.
- Be sure to choose the correct printer driver in your application software. Failure to do so may cause poor or inconsistent results.

What Does Remote Printer Console Do?

The Remote Printer Console (RPC) is a utility program which runs in the DOS environment and comprises the following two programs:

Remote Printer Console Main Program

This program allows you to change various printer settings such as emulation, print quality, fonts, page setup and so on from your computer screen. Since most DOS applications have a printer settings menu which overrides the settings made by the RPC, you may not need to use this utility program. This utility program is useful for application software which does not control the printer's settings and features.

Printer Status Monitor Program

This utility program can monitor your printer's status using bi-directional parallel communications. If your printer has no paper, this utility program displays "Paper Empty" error status and instructions for corrective action on your computer screen. This utility program stays resident in your computer memory (Terminate-and-Stay Resident program) and runs in the background.

Installing the Remote Printer Console

Before you install the program, make sure that you have the following hardware and software:

DOS	Version 3.3 or later
Monitor	EGA/VGA or compatible
Option	Mouse; the mouse driver must be installed. (You can also operate the program with the keyboard.)

Follow these steps to install the remote printer console program:

1. Make sure your printer is connected to your computer and is ready (On-line).
2. Start your computer. If you are in Windows, exit and return to the DOS prompt. You must be in the DOS prompt to proceed with installation.
3. Insert the supplied disk into your floppy disk drive (A: or B:).

4. Select drive A or B to be used by typing A: or B: after the DOS prompt and pressing the Enter key.

```
C:\>A:
```

5. Type RPCSETUP and press the Enter key.

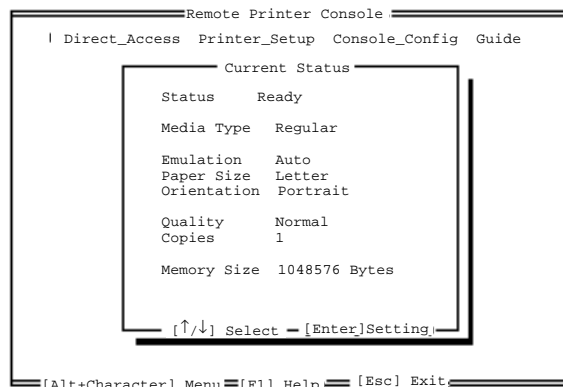
```
A:\>RPCSETUP
```

6. Follow the instructions on the screen.

Using the Remote Printer Console Main Program

Type C:\RPCX>RPCX and press the Enter key to start the Remote Printer Console main program.

The Main Screen will appear on your computer screen as shown on the right.



The RPC gets the current settings information from your printer when it starts if bi-directional communication is enabled between your computer and printer. Otherwise, RPC shows its default settings. If you want to change settings, move the cursor to the desired item and select the desired setting by using the Enter and Cursor keys. Then, press the Enter key to make the selected setting valid. If you use a mouse, click the desired item to change the setting.

Additionally, there are four sub-menus as shown in the table below. Select a sub-menu by clicking the desired sub-menu with the mouse, by using the cursor key and the Enter key, or by using the keys shown below to switch the screen to the sub menus.

Menu	Press the keys	Functions
Direct Access	Alt + D	You can directly control printer functions such as Print Form, Self Print, Reset Printer, Sleep Control.
Printer Setup	Alt + P	You can enter the setting mode to change further printer settings, such as, margin settings, continue mode, reprint function, font, and sleep mode.
Console Config	Alt + C	You can change the environment settings for the RPC program: color, Status Monitor configuration, etc.
Guide	Alt + G	You can get into the Guide mode.
Help	F1	You can get on-line help about the current highlighted item by pressing F1.

Using the Printer Status Monitor Program

Type `C:\RPCX>STMX` and press the Enter key to make the Printer Status Monitor Program stay resident in your computer memory. If there are any changes to the printer status, it displays a message on your computer screen.

If the printer status monitor program stays resident in your computer, you can monitor the printer status on your computer screen immediately using the hot-key sequence (Ctrl+Alt+R).

To remove the Printer Status Monitor program from your computer memory, type `C:\RPCX>STMX/R` and press the Enter key.

- The RPC works in the environment where your printer is directly connected to your computer. If you are using any printer buffer switches which do not support bi-directional communication between the printer and computer, the program works only in the PC to printer direction and cannot receive printer status information.
- The program does not work with printers on a network.
- If the RPC conflicts with some application software, exit your application software and then run the RPC.
- The RPC may work in the DOS-compatible box screen mode of Windows, however, it is recommended that you completely exit from Windows to the DOS prompt before using the RPC.
- The Printer Status Monitor and some other Terminate-and-Stay programs cannot coexist in the computer's memory. If they do not work properly together, use them one at a time. You can suspend the Printer Status monitor with any of the following methods or commands.
 - Type `C:\RPCX>STMX/R` and press the Enter key.
 - Hold the space bar down while executing the AUTOEXEC.BAT file at DOS startup to prevent the status monitor being loaded as a TSR program.

Action 6-4: Prepare Macintosh for the Printer

You need to configure your computer for the printer by installing the printer driver and TrueType-compatible fonts into the System Folder of your Macintosh computer, and select your printer.

NOTE

You must have Macintosh System software version 6.0.7 or above to use this printer driver. This printer driver only supports the 300 dpi mode when used with a Macintosh computer. When setting up the printer to work with your Macintosh computer, you will need to use the RS-422A serial interface. The serial interface board is an option. For information on options, consult your dealer or refer to the User's Guide for this printer.

The supplied high density floppy disk contains the printer driver and TrueType-compatible fonts necessary for this printer to work with Macintosh computers.

Be sure to follow the steps below to install the printer driver by using the installer software:

1. Start your Macintosh computer.
2. Insert the supplied disk for the Macintosh computer into the disk drive. If your computer does not support high density 1.4 MB diskettes, please contact your dealer or Brother Printer Support.
3. Double-click the disk icons to open your hard disk and the inserted disk.
4. Double-click the Installer icon.
5. The installer starts running. Follow the instructions on the computer screen.

NOTE

After you have installed the printer driver, you need to select your printer with the Chooser (which is located under the Apple menu) on the Macintosh computer.

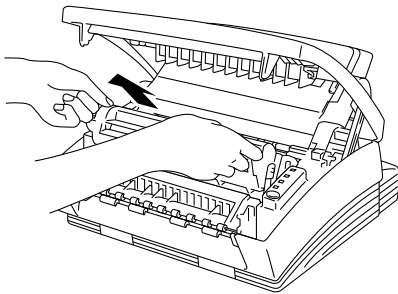
Shipment of the Printer

If for any reason you must ship your Printer, carefully package the Printer to avoid any damage during transit. It is recommended that you save and use the original packaging. The Printer should also be adequately insured with the carrier.

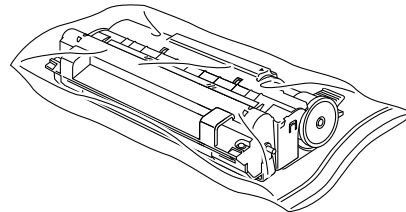
Warning

When shipping the Printer, the DRUM UNIT assembly including the TONER CARTRIDGE must be removed from the Printer and placed in the plastic bag. **Failure to remove and place it in the plastic bag during shipping will cause severe damage to the Printer and will VOID THE WARRANTY.**

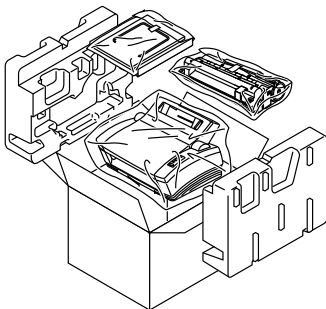
1 Remove the drum unit.



2 Place it in the plastic bag and seal the bag completely.



3 Re-pack the printer.



Free Manuals Download Website

<http://myh66.com>

<http://usermanuals.us>

<http://www.somanuals.com>

<http://www.4manuals.cc>

<http://www.manual-lib.com>

<http://www.404manual.com>

<http://www.luxmanual.com>

<http://aubethermostatmanual.com>

Golf course search by state

<http://golfingnear.com>

Email search by domain

<http://emailbydomain.com>

Auto manuals search

<http://auto.somanuals.com>

TV manuals search

<http://tv.somanuals.com>