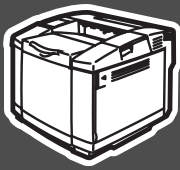


Read this Quick Setup Guide before using the printer.
Before you can use the printer, you must set up the hardware and install the driver.

Step 1

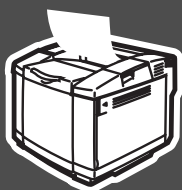
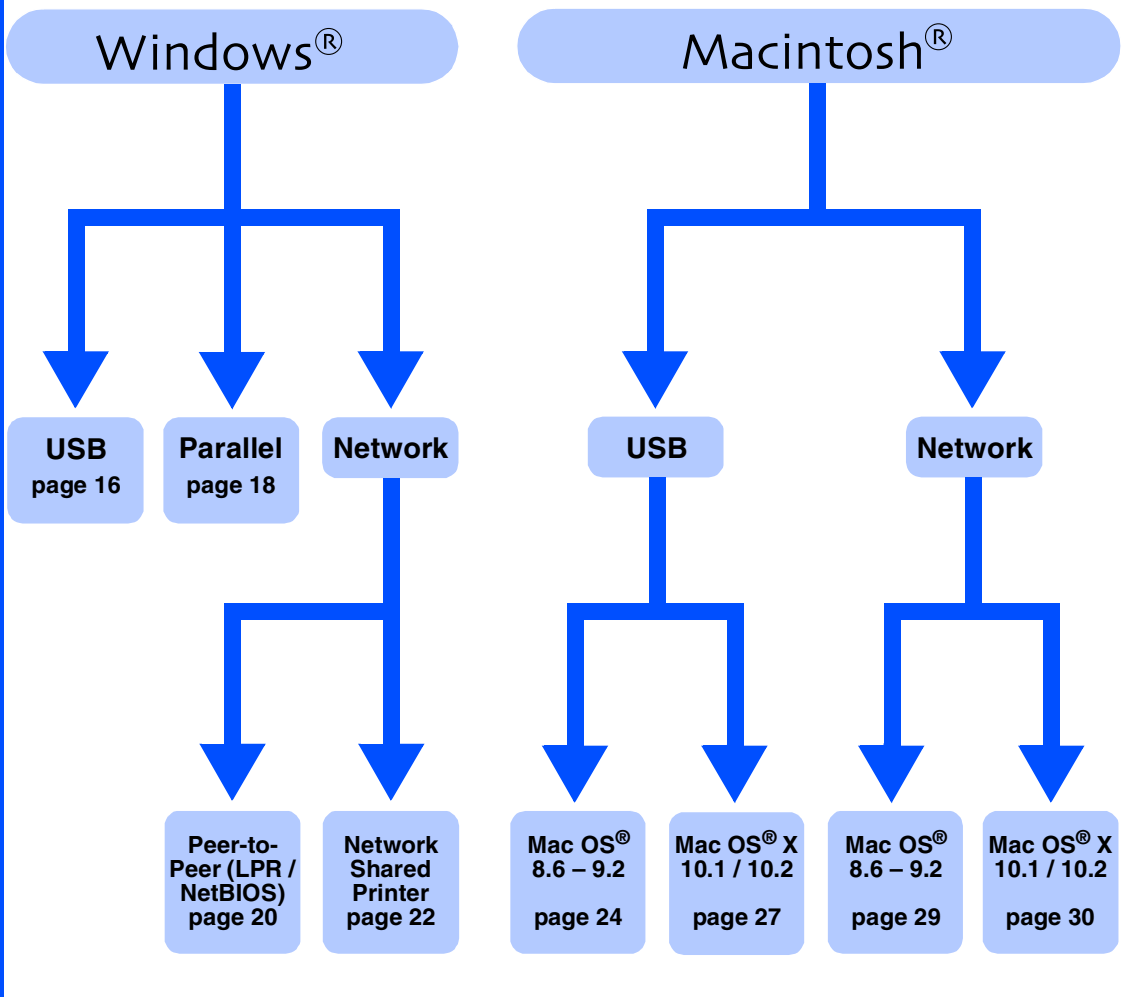


Setting Up Your Printer

Step 2



Installing the Driver







Setup is Complete!

For the latest drivers and to find the best solution for your problem or question, access the Brother Solutions Center directly from the CD-ROM/Driver or go to <http://solutions.brother.com>
Keep this Quick Setup Guide and the supplied CD-ROM in a convenient place for quick and easy reference at all times.

Safety Precautions

To Use the Printer Safely

 <p>Warning</p>	 <p>Note</p>	 <p>Hint</p>	 <p>User's Guide Network User's Guide</p>
<p>Indicates warnings that must be observed to prevent possible personal injury.</p>	<p>Indicates cautions that must be observed to use the printer properly or prevent damage to the printer.</p>	<p>Indicates notes and useful tips to remember when using the printer.</p>	<p>Indicates reference to the User's Guide or Network User's Guide which is on the CD-ROM we have supplied.</p>

Warning


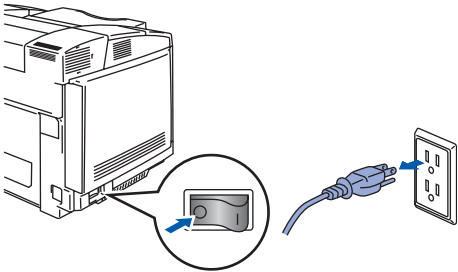

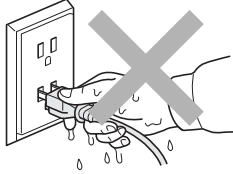

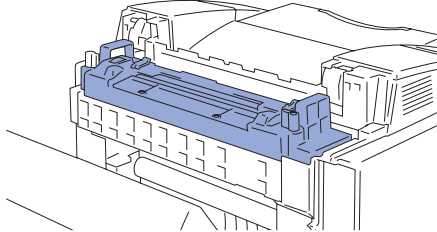
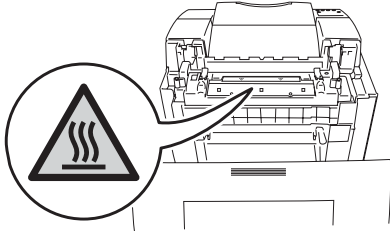
 <p>There are high voltage electrodes inside the printer. Before replacing internal parts, cleaning the printer or clearing a paper jam, make sure you have turned OFF the power switch and unplugged the AC power cord from the AC power outlet/socket.</p>	
 <p>Do not handle the plug or AC power cord with wet hands. This constitutes an electric shock hazard.</p>	
 <p>The fusing unit becomes extremely hot during operation. Wait until it has cooled down sufficiently before replacing consumable items.</p>	
<p>The fusing unit is marked with a caution label. Please do NOT take off or damage the label.</p>	
<p>This printer is heavy and weighs approximately 30.5 kg (67.3 lb). To prevent injuries when moving or lifting this printer, make sure to use at least two people.</p>	

Table of Contents

Regulations	2
-------------------	---



■ Getting Started

Carton Components	4
Control Panel	5
Supplied CD-ROM	6

Step 1 Setting Up Your Printer

Install the Toner Cartridges	7
Remove the tension release pins of the Fusing Unit	8
Install the OPC Belt Cartridge	9
Load Paper in the Paper Tray	10
Print a Test Page	11
Setting Your Language on the Control Panel	12

Step 2 Installing the Driver

	For USB Interface Cable Users	16
	For Parallel Interface Cable Users	18
	For Network Interface Cable Users	20
	For Brother Peer-to-Peer Network Printer Users (LPR / NetBIOS).....	20
For Network Shared Printer Users	22	
	For USB Interface Cable Users	24
	For Mac OS® 8.6 to 9.2 Users	24
	For Mac OS® X 10.1 / 10.2 Users	27
	For Network Interface Cable Users	29
	For Mac OS® 8.6 to 9.2 Users	29
For Mac OS® X 10.1 / 10.2 Users	30	

■ For Administrators

Installing BRAdmin Professional utility (Windows® users only)	32
Web BRAdmin (Windows® Users Only)	32
Setting your IP Address, Subnet Mask and Gateway using BRAdmin Professional utility (Windows® users only)	33
Factory Default Setting	33
Print Printer Settings Page	33

■ Other Information

Shipment of the Printer	34
Options	35

■ Troubleshooting User's Guide Chapter 6

Regulations

Federal Communications Commission (FCC) Declaration of Conformity (For USA)

Responsible Party: Brother International Corporation
100 Somerset Corporate Boulevard
P.O. Box 6911
Bridgewater, NJ 08807-0911
USA
Telephone: (908) 704-1700

declares, that the products

Product name: Laser Printer HL-2700CN
Model number: HL-2700
Product options: All

complies with Part 15 of the FCC Rules. Operation is subject to the following two conditions: (1) This device may not cause harmful interference, and (2) this device must accept any interference received, including interference that may cause undesired operation.

This equipment has been tested and found to comply with the limits for a Class B digital device, pursuant to Part 15 of the FCC Rules. These limits are designed to provide reasonable protection against harmful interference in a residential installation. This equipment generates, uses, and can radiate radio frequency energy and, if not installed and used in accordance with the instructions, may cause harmful interference to radio communications. However, there is no guarantee that interference will not occur in a particular installation. If this equipment does cause harmful interference to radio or television reception, which can be determined by turning the equipment off and on, the user is encouraged to try to correct the interference by one or more of the following measures:

- Reorient or relocate the receiving antenna.
- Increase the separation between the equipment and receiver.
- Connect the equipment into an outlet on a circuit different from that to which the receiver is connected.
- Call the dealer, Brother Customer Service, or an experienced radio/TV technician for help.

Important

A shielded interface cable should be used to ensure compliance with the limits for a Class B digital device. Changes or modifications not expressly approved by Brother Industries, Ltd. could void the user's authority to operate the equipment.

Industry Canada Compliance Statement (For Canada)

This Class B digital apparatus complies with Canadian ICES-003.

Cet appareil numérique de la classe B est conforme à la norme NMB-003 du Canada.

Radio interference (220-240 volt model only)

This printer follows EN55022 (CISPR Publication 22)/Class B.

Before you use this product, make sure that you use a double-shielded interface cable with twisted-pair conductors and that it is marked "IEEE 1284 compliant". The cable must not be more than 2.0 metres long.

brother[®]

"EC" Declaration of Conformity

Manufacture

Brother Industries Ltd.,
15-1, Naeshiro-cho, Mizuho-ku,
Nagoya 467-8561, Japan

Herewith declare that:

Products description: Laser Printer
Product Name: HL-2700CN

is in conformity with provisions of the Directives applied: Low Voltage Directive 73/23/EEC (as amended by 93/68/EEC) and the Electromagnetic Compatibility Directive 89/336/EEC (as amended by 91/263/EEC and 92/31/EEC and 93/68/EEC).

Standards applied:

Harmonized:

Safety: EN60950: 2000

EMC: EN55022: 1998 + A1:2000 Class B
EN55024: 1998
EN61000-3-2: 1995 + A14:2000
EN61000-3-3: 1995

Year in which CE marking was First affixed: 2003

Issued by: Brother Industries, Ltd.
Date: 15th May, 2003
Place: Nagoya, Japan
Signature:

Takashi Maeda

Takashi Maeda
Manager
Quality Management Group
Quality Management Dept.
Information & Document Company

International ENERGY STAR[®] Compliance Statement

The purpose of the International ENERGY STAR[®] Program is to promote the development and popularization of energy-efficient office equipments. As an ENERGY STAR[®] Partner, Brother Industries, Ltd. has determined that this product meets the ENERGY STAR[®] guidelines for energy efficiency.



Laser Safety (100 to 120 volt Model Only)

This printer is certified as a Class I laser product under the U.S. Department of Health and Human Services (DHHS) Radiation Performance Standard according to the Radiation Control for Health and Safety Act of 1968. This means that the printer does not produce hazardous laser radiation.

Since radiation emitted inside the printer is completely confined within protective housings and external covers, the laser beam cannot escape from the machine during any phase of user operation.

FDA Regulations (100 to 120 volt Model Only)

U.S. Food and Drug Administration (FDA) has implemented regulations for laser products manufactured on and after August 2, 1976. Compliance is mandatory for products marketed in the United States. One of the following labels on the back of the printer indicates compliance with the FDA regulations and must be attached to laser products marketed in the United States.

MANUFACTURED:
Brother Industries, Ltd.,
15-1 Naeshiro-cho Mizuho-ku Nagoya, 467-8561 Japan
This product complies with FDA radiation performance standards, 21 CFR subchapter J.

- ☛ Caution: Use of controls, adjustments or performance of procedures other than those specified in this manual may result in hazardous radiation exposure.

IEC 60825 specification (220 to 240 volt model only)

This printer is a Class 1 laser product as defined in IEC 60825 specifications. The label shown below is attached in countries where it is needed.



This printer has a Class 3B laser diode which produces invisible laser radiation in the scanner unit. You should not open the scanner unit under any circumstances.

- ☛ Caution: Use of controls or adjustments or performance of procedures other than those specified in this User's Guide may result in hazardous radiation exposure.

For Finland and Sweden

LUOKAN 1 LASERLAITE

KLASS 1 LASER APPARAT

- ☛ Varoitus! Laitteen käyttäminen muulla kuin tässä käyttöohjeessa mainitulla tavalla saattaa altistaa käyttäjän turvallisuusluokan 1 ylittävälle näkymättömälle lasersäteilylle.
- ☛ Varning Om apparaten används på annat sätt än i denna Bruksanvisning specificerats, kan användaren utsättas för osynlig laserstrålning, som överskrider gränsen för laserklass 1.

Internal laser radiation

Maximum radiation power: 5 mW
Wave length: 780 - 800 nm
Laser class: Class IIIb
(Accordance with 21 CFR Part 1040.10)
Class 3B
(Accordance with IEC 60825)

IMPORTANT - For Your Safety

To ensure safe operation the supplied three-pin plug must be inserted only into a standard three-pin power outlet that is properly grounded through the normal household wiring.

Extension cords used with this printer must be three-pin plug type and correctly wired to provide proper grounding. Incorrectly wired extension cords may cause personal injury and equipment damage.

The fact that the equipment operates satisfactorily does not imply that the power is grounded and that the installation is completely safe. For your safety, if in any doubt about the effective grounding of the power, call a qualified electrician.

Disconnect device

You must install this printer near a power outlet that is easily accessible. In case of an emergency, you must disconnect the power cord from the power outlet to shut off the power completely.

Caution for LAN connection

Connect this product to a LAN connection that is not subjected to over voltages.

IT power system (For Norway only)

This product is also designed for an IT power system with phase-to-phase voltage 230V.

Geräuschemission / Acoustic noise emission (for Germany only)

Lpa < 70 dB (A) DIN 45635-19-01-KL2

Wiring information (for UK)

Important

If you need to replace the plug fuse, fit a fuse that is approved by ASTA to BS1362 with the same rating as the original fuse.

Always replace the fuse cover. Never use a plug that does not have a cover.

Warning - This printer must be earthed.

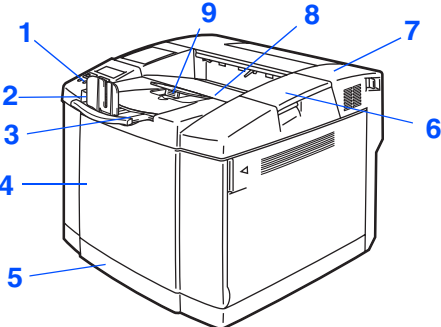

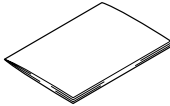
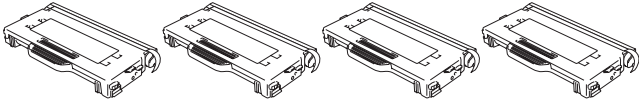
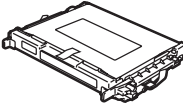
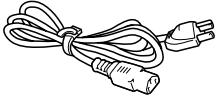
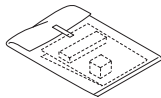

The wires in the mains lead are coloured in line with the following code:

Green and Yellow:	Earth
Blue:	Neutral
Brown:	Live

If in any doubt, call a qualified electrician.

Getting Started

Carton Components

<p>Printer</p>  <p>1 Control Panel 4 Front Cover 8 Face-down Output Tray 2 Paper Stopper 5 Paper Tray 9 Paper Support 3 Face-down Output Tray Extension 6 Top Cover 7 Back Cover</p>	 <p>CD-ROM (including User's Guide)</p>	 <p>Quick Setup Guide</p>
 <p>Toner Cartridges (Black, Cyan, Magenta and Yellow)^{*1}</p>	 <p>OPC Belt Cartridge</p>	 <p>AC Power Cord</p>
 <p>Repacking Kit^{*2}</p>	 <p>Parts/Paper Jam Locator Label^{*3}</p>	

Carton components may differ from one country to another.

The power cord may be slightly different to the one in the diagram above, depending upon which country you bought the printer in.

Save all packing materials and the printer carton.



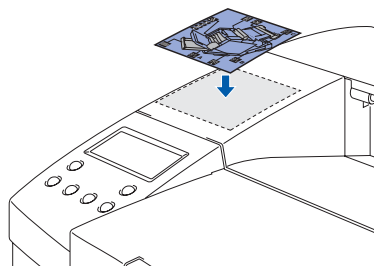
- *The interface cable is not a standard accessory. Buy the appropriate interface cable for the interface you intend to use (Parallel, USB or Network).*
- *It's recommended to use a parallel or USB interface cable that is not longer than 6 feet (2.0 meters).*
- *For a parallel interface cable users, use a shielded interface cable that is IEEE 1284-compliant.*
- *Use a Hi-Speed USB 2.0 certified cable if your computer uses a Hi-Speed USB 2.0 interface.*







^{*1} The toner cartridges that come supplied with this printer, are starter toners. Starter toners, are toner cartridges with up to half the life of the standard toner cartridge, 5000 pages (Black) and 3000 pages (Cyan, Magenta and Yellow) at approximately 5% print coverage (A4 or Letter size).

^{*2} Repacking kit is to be used ONLY for moving or shipping the printer.

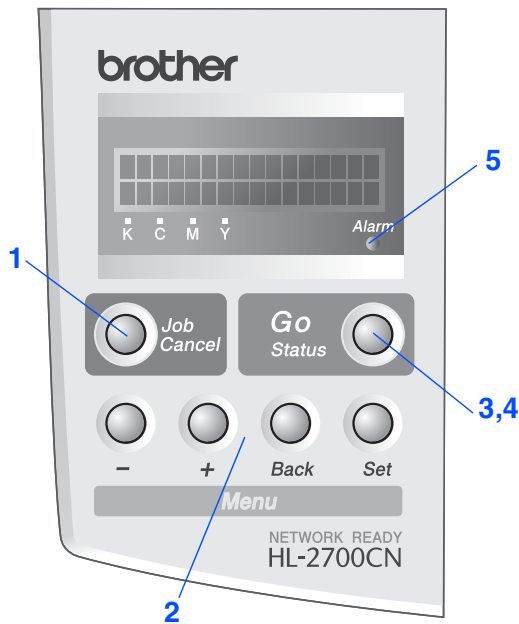
^{*3} We recommend that you put the parts/paper jam locator label onto the top left hand side of the printer.

The meanings of icons on the parts/paper jam locator label are shown below.



 <p>K Y M C</p> <p>Toner Cartridges</p>	 <p>OPC Belt Cartridge</p>	 <p>Fusing Unit</p>	 <p>Waste Toner Pack</p>
 <p>Paper Tray</p>	 <p>Paper jammed at position A,B or C</p>		

Control Panel



Buttons

1 Job Cancel Button

Stop and cancel the printer operation that is in progress.

2 Menu Buttons

+	Move forward through menus.
-	Move backward through menus.
Set	Select the control panel. Set the selected menus and settings.
Back	Go back one level in the menu structure.

3 Go Button

Exit from the control panel menu, reprint settings, clear error messages and sleep mode.
Pause / continue printing

LEDs

4 Status LED : Green

On	Ready to print Printing Sleeping Data remains in the printer buffer (when DATA EXISTS is shown on the LCD).
Blinking	Receiving or processing data
Off	The printer power is off. The printer is off-line.

5 Alarm LED : Red

On	There is an error in the printer.
Off	There is no error in the printer.



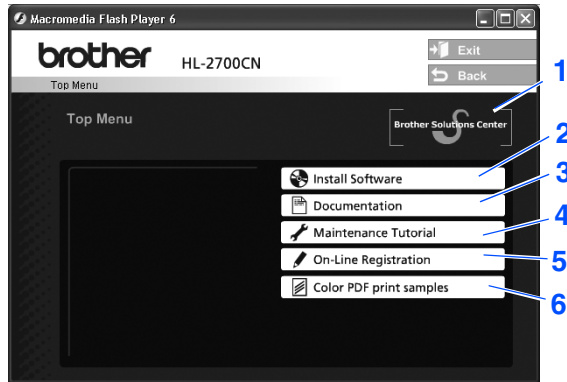
User's Guide Chapter 3.

Getting Started

Supplied CD-ROM

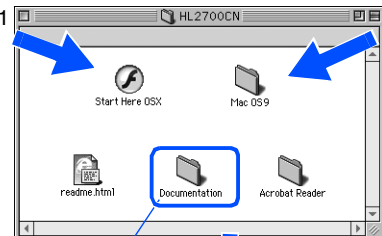
You can find a variety of information on the CD-ROM.

Windows®

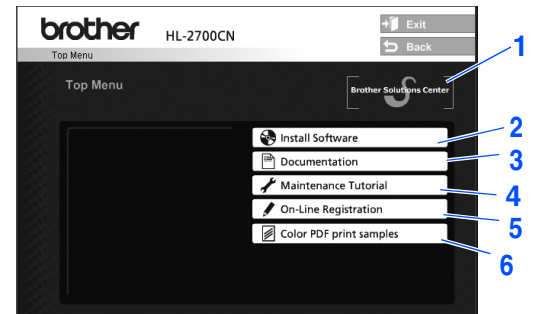


Macintosh®

Mac OS® X 10.1 / 10.2 Users



Mac OS® 8.6 to 9.2 Users:
Go to next page.



This screen is not supported by Mac OS® 8.6 to 9.2.

1 Brother Solutions Center
The Brother Solutions Center (http://solutions.brother.com) is a one-stop resource for all your printer needs. Download the latest drivers and utilities for your printers, read the FAQs and troubleshooting tips, or learn about printer solutions.
2 Install Software
Installs the printer driver and utilities.
3 Documentation
View the printer's User's Guide and Network User's Guide in PDF format. (Viewer included)
4 Maintenance Tutorial
Instructional movie for printer maintenance.
5 On-Line Registration
Register your product on-line.
6 Color PDF Print Samples
View and print color PDF samples that were printed on a HL-2700CN.



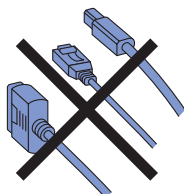
*For visually impaired users:
Please see a HTML file, readme.html, on the supplied CD-ROM. You can read it with Screen Reader 'text-to-speech' software.*



1 Install the Toner Cartridges

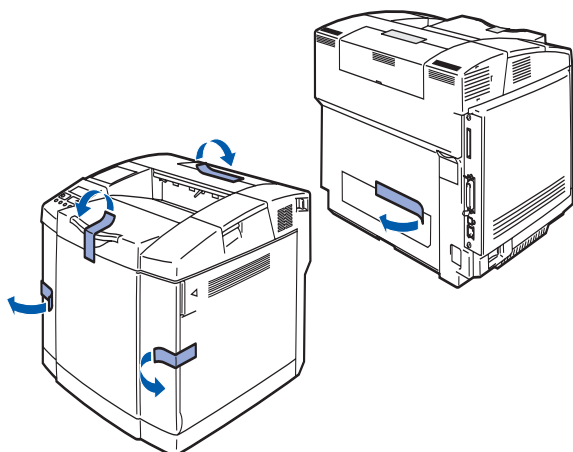


Do NOT connect the interface cable. You will be prompted to connect the interface cable during the driver installation.

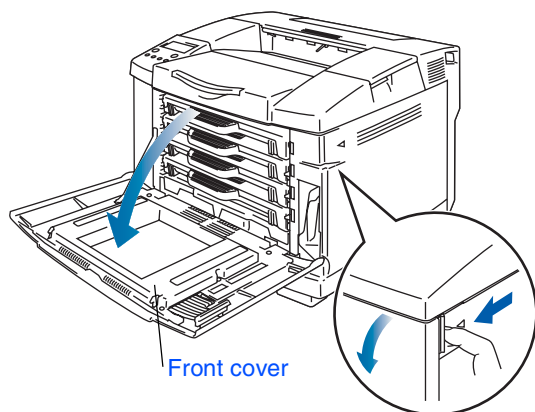


Do NOT touch the green surface of the OPC belt or expose it to direct sunlight or room light for any length of time.

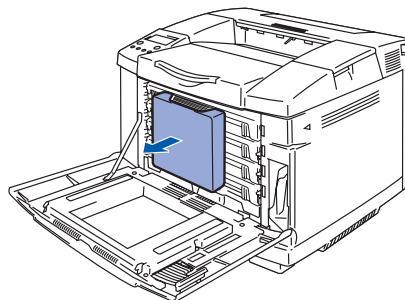
- 1 Remove the protective parts.



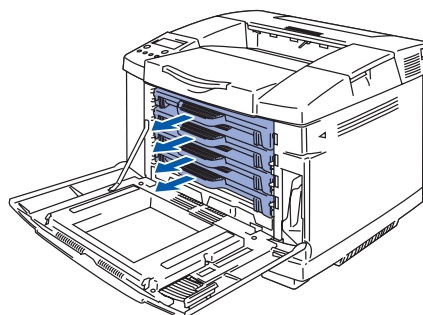
- 2 Open the front cover.



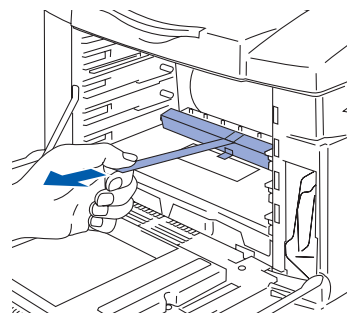
- 3 Remove the protective part.



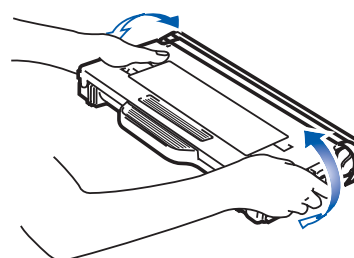
- 4 Take out all the toner cartridges from the printer.



- 5 Carefully pull the red protective paper out of the printer.



- 6 Rock the toner cartridge 3 to 4 times.



Go to the next page

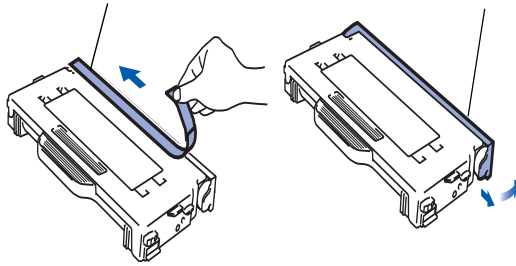
Step 1

Setting Up Your Printer

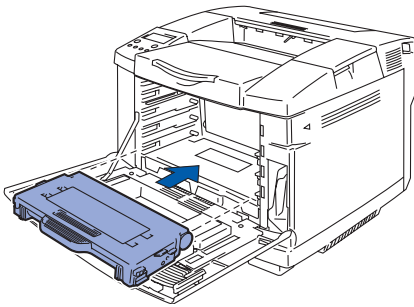
- 7 Pull off the tape labeled REMOVE, and then remove the orange protective cover.

REMOVE tape

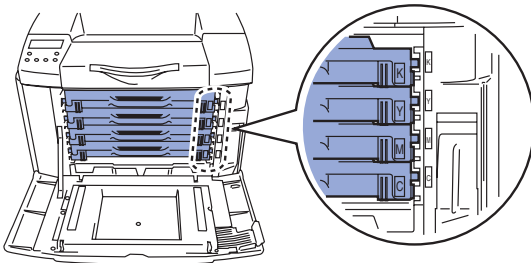
Protective cover



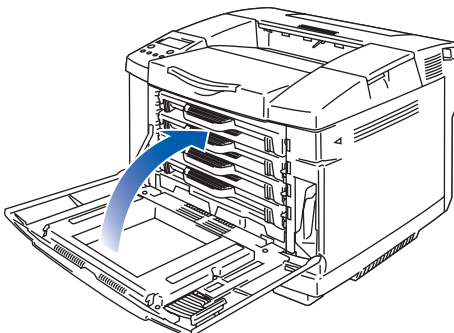
- 8 Put the toner cartridge by sliding it into the correct guide. Match the cartridge color label to the corresponding label on the printer.



- 9 Repeat steps 5 through 7 for the remaining toner cartridges.

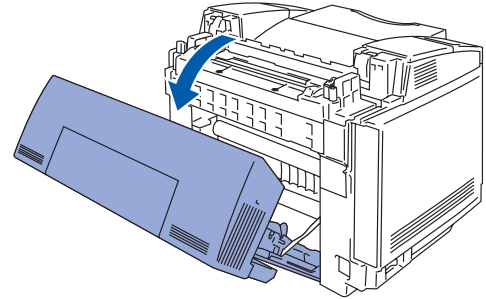


- 10 Close the front cover.

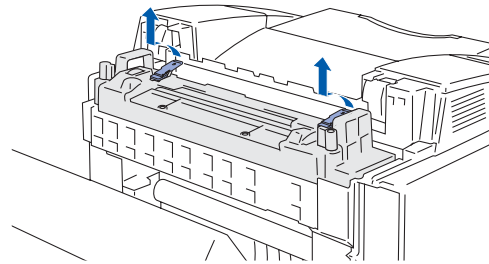


2 Remove the tension release pins of the Fusing Unit

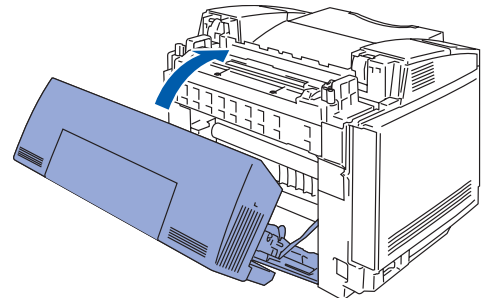
- 1 Open the back cover.



- 2 Pull out the tension release pins from both sides of the fusing unit.



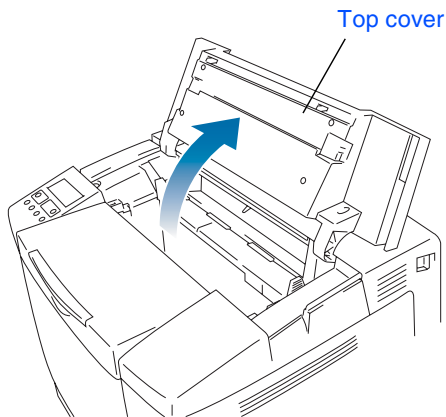
- 3 Close the back cover.



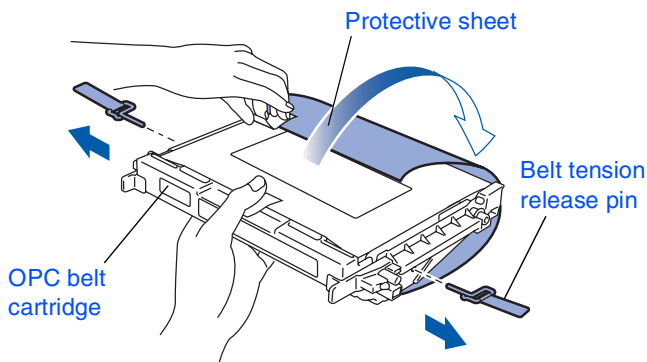


3 Install the OPC Belt Cartridge

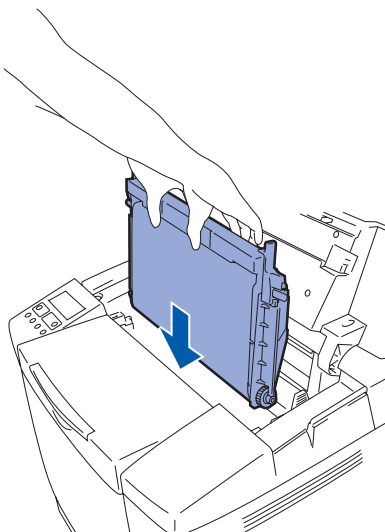
- 1 Open the top cover.



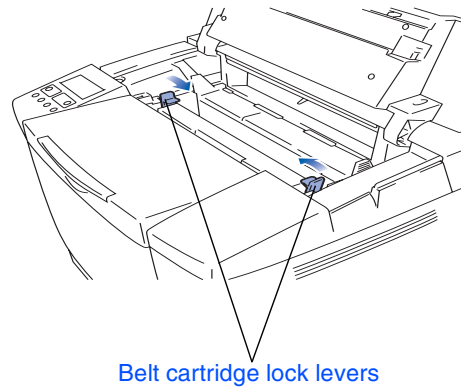
- 2 Remove the orange belt tension release pins from both sides of the OPC belt cartridge. Remove the protective sheet.



- 3 Put the OPC belt cartridge into the printer guides with the flat side facing you.



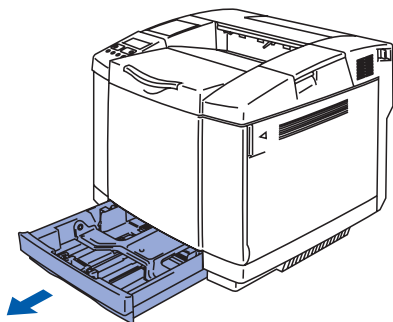
- 4 Lock the belt cartridge lock levers. Close the top cover.



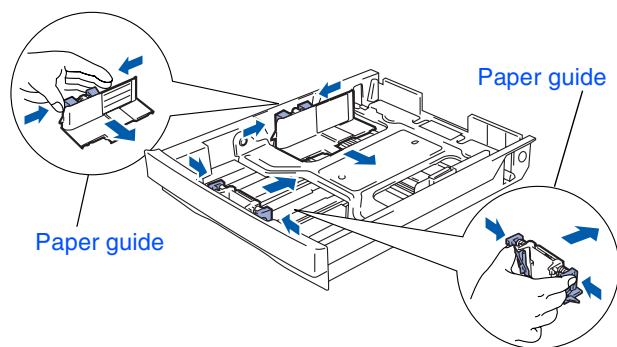
Go to the next page

4 Load Paper in the Paper Tray

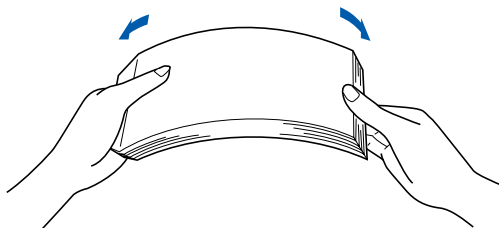
- 1 Pull the paper tray completely out of the printer.



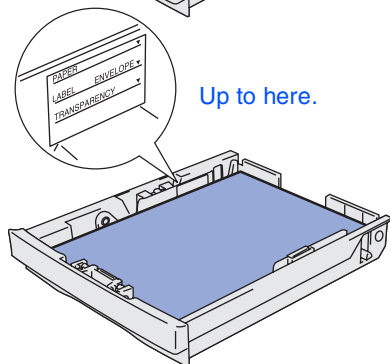
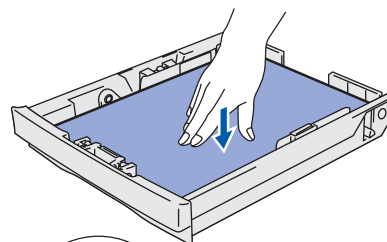
- 2 While pressing the paper guide release lever, slide the adjusters to fit the paper size. Check that the guides are firmly in the slots.



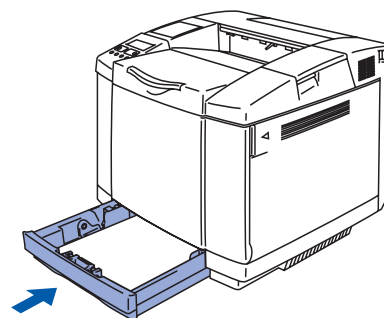
- 3 Fan the stack of paper well to avoid paper jams and misfeeds.

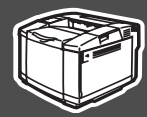


- 4 Put paper in the paper tray. Check that the paper is flat in the tray and below the maximum paper mark.



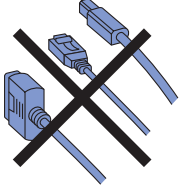
- 5 Put the paper tray firmly back in the printer.



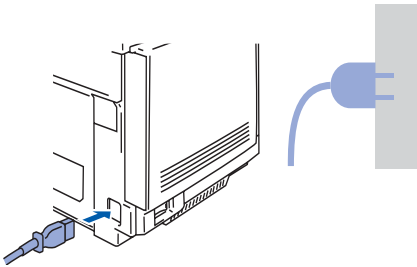


5 Print a Test Page

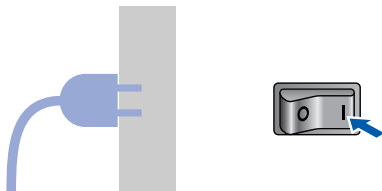
 Do NOT connect the interface cable. Connecting the interface cable is done when installing the driver.



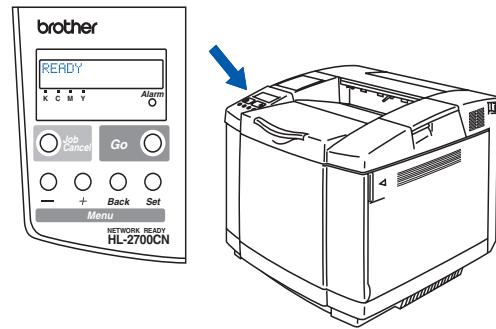
- 1 Make sure that the printer's power switch is off. Connect the AC power cord to the printer.



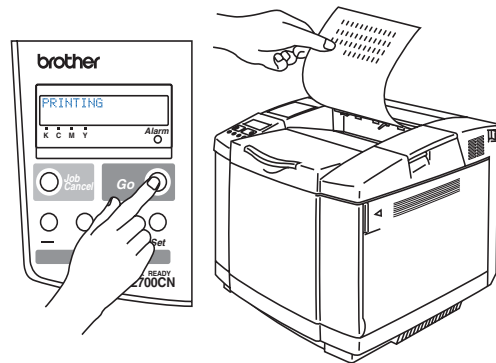
- 2 Plug the AC power cord into an AC power outlet/socket. Turn the printer's power switch on.



- 3 After the printer has finished warming up, the **READY** message appears.



- 4 Press the **Go** button. The printer prints a test page. Check that the test page has printed correctly.



Setting Up
Your Printer

Windows®
USB

Windows®
Parallel

Windows®
Network

Macintosh®
USB

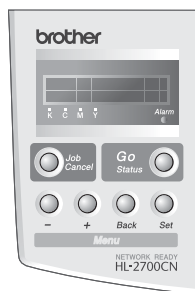
Macintosh®
Network

For
Administrators

Installing the Driver

Go to the next page 

6 Setting Your Language on the Control Panel



- 1 Press the **+** button until **SETUP** is displayed. Press the **Set** button.

```
-- MENU --  
SETUP
```

- 2 Press the **Set** button again.

```
SETUP  
LANGUAGE
```

- 3 Press the **+** or **-** button to select your language. Press the **Set** button to accept.

```
LANGUAGE  
=ENGLISH *
```

Go to the next page
to install the driver.



Follow the instructions on this page for your operating system and interface cable. The screens for Windows® in this Quick Setup Guide are based on Windows® XP. The screens for Mac OS® X in this Quick Setup Guide are based on Mac OS® X 10.1.

Windows®



For USB Interface Cable Users Go to page 14



For Parallel Interface Cable Users Go to page 16



For Network Interface Cable Users

- **Brother Peer-to-Peer Network Printer Users (LPR / NetBIOS)** Go to page 18
- **Network Shared Printer Users** Go to page 20

Macintosh®



For USB Interface Cable Users

- **Mac OS® 8.6 to 9.2 Users** Go to page 24
- **Mac OS® X 10.1 / 10.2 Users** Go to page 27



For Network Interface Users

- **Mac OS® 8.6 to 9.2 Users** Go to page 29
- **Mac OS® X 10.1 / 10.2 Users** Go to page 30

For Administrators Go to page 32

Windows®
USB

Windows®
Parallel

Windows®
Network

Macintosh®
USB

Macintosh®
Network

For
Administrators

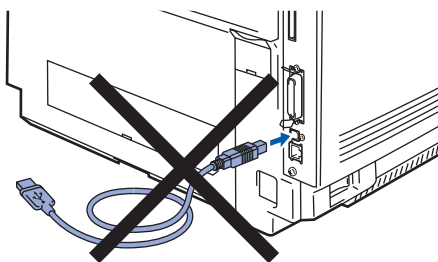
For USB Interface Cable Users

1. Installing the Driver and Connecting the Printer to your PC

 If the **Found New Hardware Wizard** appears on your PC, click the **Cancel** button.



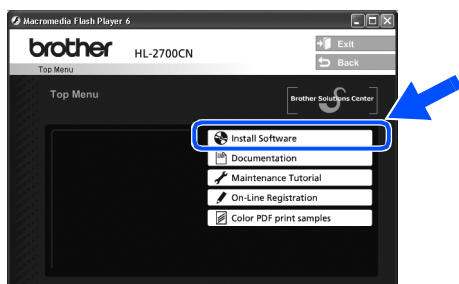
- 1 Make sure the USB interface cable is **NOT** connected to the printer, and then begin installing the driver. If you have already connected the cable, remove it.



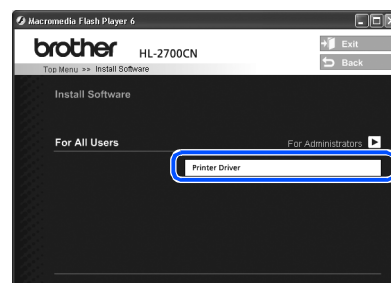
- 2 Insert the CD-ROM into your CD-ROM drive. The opening screen will appear automatically. Follow the on-screen instructions.



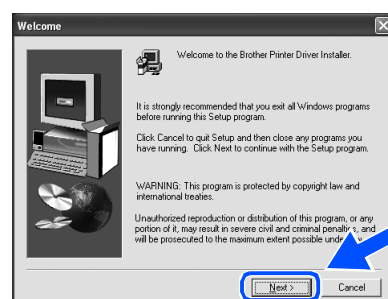
- 3 Click **Install Software** icon on the menu screen.



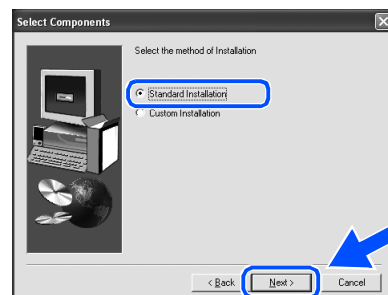
- 4 Click **Printer Driver**.




- 5 Click the **Next** button. Follow the on-screen instructions.

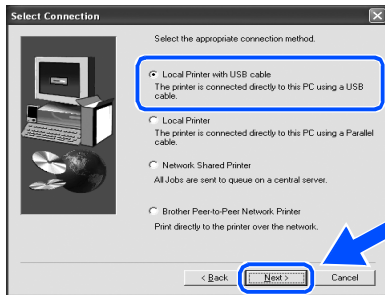


- 6 Select **Standard Installation**, and then click the **Next** button.

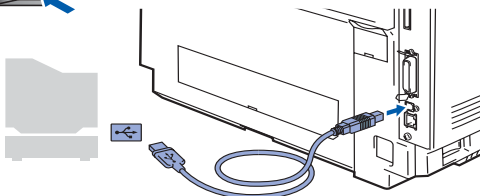
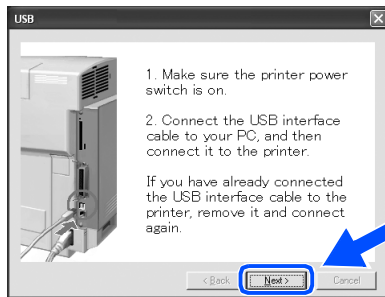


 If you want to install the **PS driver**, select **Custom** and then follow the on-screen instructions. When the **Select Components** screen appears, check **PS Printer Driver**, and then continue following the on-screen instructions.

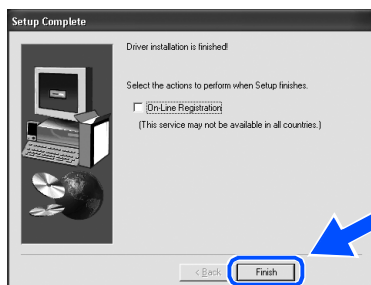
- 7 Select **Local Printer with USB cable**, and then click the **Next** button.



- 8 When this screen appears, make sure the printer's power switch is on. Connect the USB interface cable to your PC, and then connect it to the printer. Click the **Next** button.



- 9 Click the **Finish** button.



 If you want to register your product on-line, check **On-Line Registration**.

OK! For Windows® 98 / Me users:
Setup is now complete.

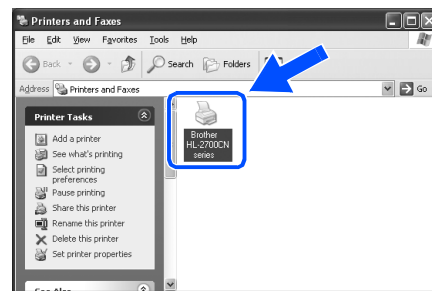
»» For Windows® 2000/XP users:
Go to "2. Setting your Printer as the Default Printer".

2. Setting your Printer as the Default Printer (For Windows® 2000/XP Users Only)

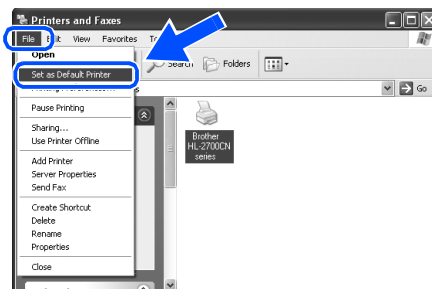
- 1 Click **Start** and then **Printers and Faxes**.



- 2 Select the **Brother HL-2700CN series** icon.



- 3 From the **File** menu, select **Set as Default printer**.



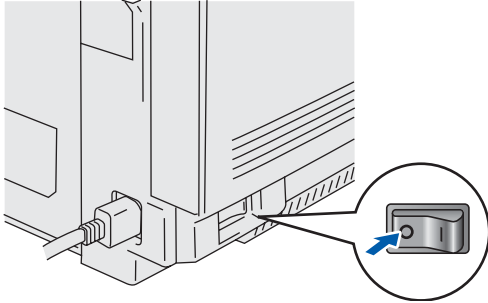
OK! Setup is now complete.



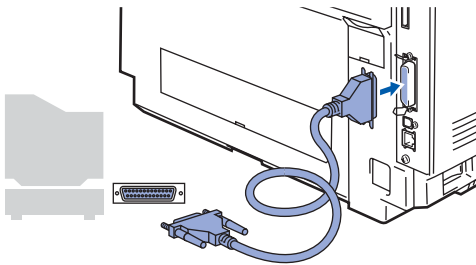
For Parallel Interface Cable Users

Connecting the Printer to your PC and Installing the Driver

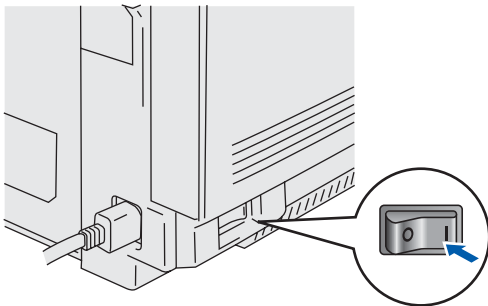
- 1 Turn off the printer's power switch.




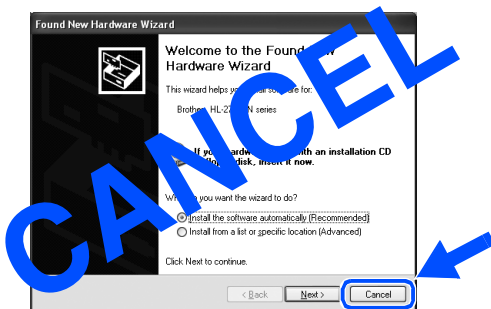
- 2 Connect the parallel interface cable to your PC, and then connect it to your printer.



- 3 Turn on the printer's power switch.



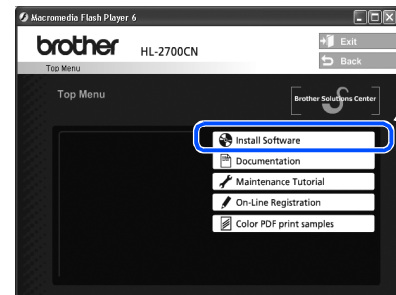
 If the **Found New Hardware Wizard** appears on your PC, click the **Cancel** button.



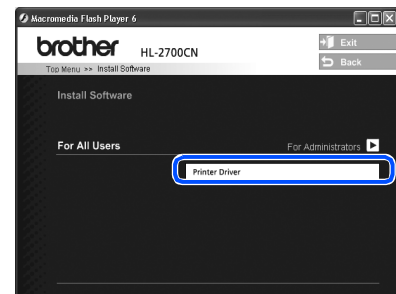
- 4 Insert the CD-ROM into your CD-ROM drive. The opening screen will appear automatically. Follow the on-screen instructions.



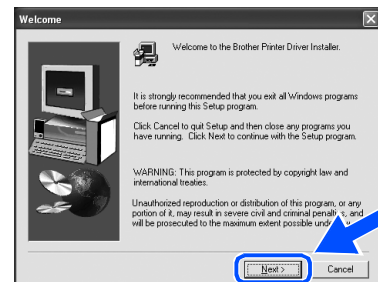
- 5 Click **Install Software** icon on the menu screen.



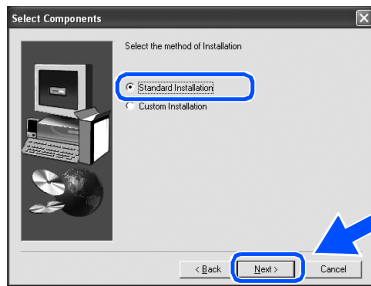
- 6 Click **Printer Driver**.



- 7 Click the **Next** button. Follow the on-screen instructions.

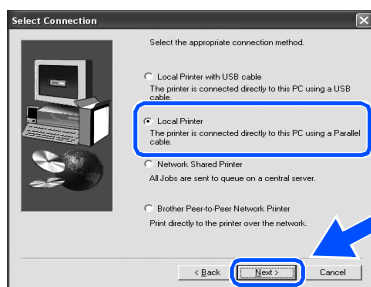


- 8 Select **Standard Installation**, and then click the **Next** button.

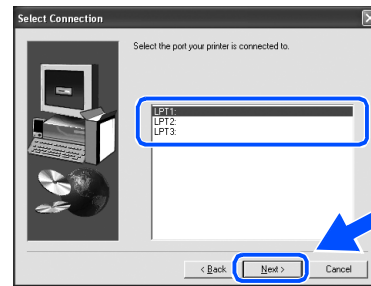


If you want to install the PS driver, select **Custom** and then follow the on-screen instructions. When the **Select Components** screen appears, check **PS Printer Driver**, and then continue following the on-screen instructions.

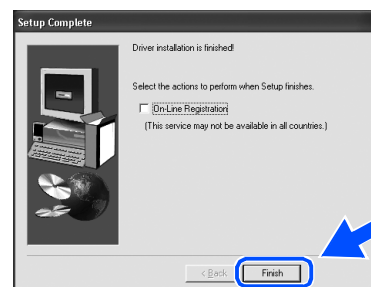
- 9 Select **Local Printer**, and then click the **Next** button.



- 10 Select the port that your printer is connected to, and then click the **Next** button.



- 11 Click the **Finish** button.



If you want to register your product on-line, check **On-Line Registration**.

- OK!** Setup is now complete.



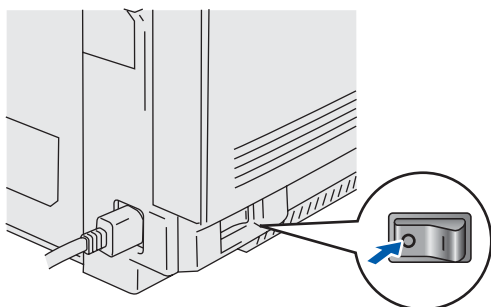
For Brother Peer-to-Peer Network Printer Users (LPR / NetBIOS)



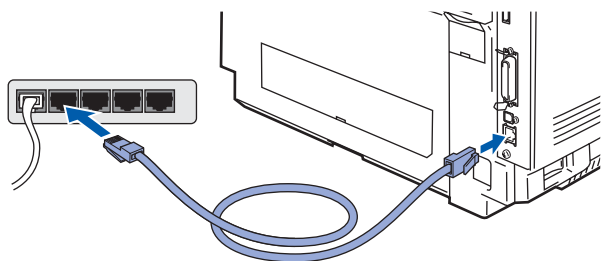
- If you are going to connect the printer to your network, we recommended that you contact your system administrator prior to installation.
- Before installation, if you are using Personal Firewall software (e.g. the Internet Connection Firewall available in Windows XP), disable it. Once you are sure that you can print, re-start your Personal Firewall software.

Connecting the Printer to your Network and Installing the Driver

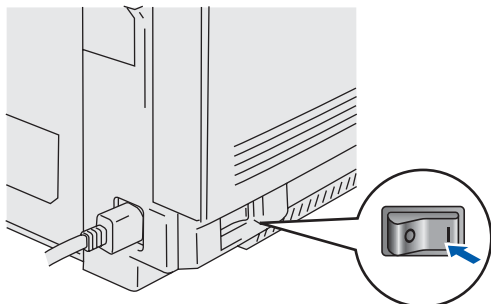
- 1 Turn off the printer's power switch.



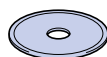
- 2 Connect the network interface cable to the printer, and then connect it to a free port on your hub.



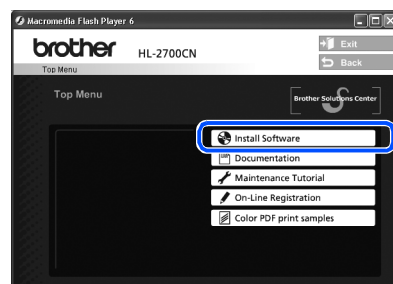
- 3 Turn on the printer's power switch.



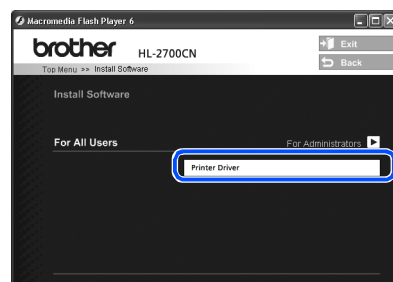
- 4 Insert the CD-ROM into your CD-ROM drive. The opening screen will appear automatically. Follow the on-screen instructions.



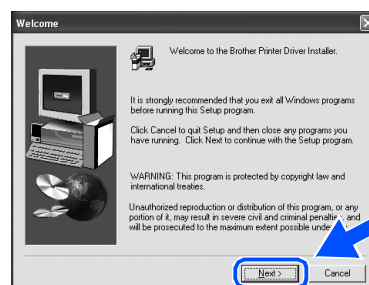
- 5 Click **Install Software** on the menu screen.



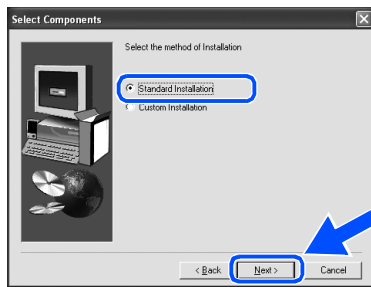
- 6 Click **Printer Driver**.



- 7 Click the **Next** button. Follow the on-screen instructions.

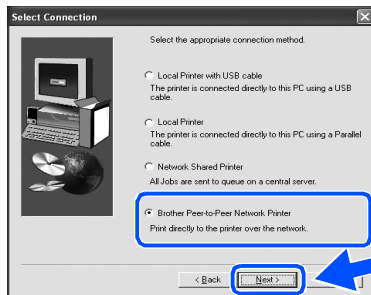


- 8 Select **Standard Installation**, and then click the **Next** button.



If you want to install the PS driver, select **Custom** and then follow the on-screen instructions. When the **Select Components** screen appears, check **PS Printer Driver**, and then continue following the on-screen instructions.

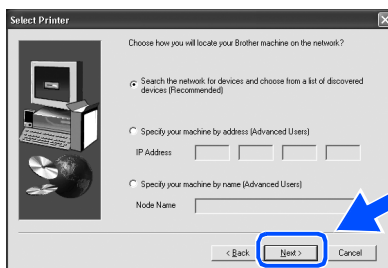
- 9 Select **Brother Peer-to-Peer Network Printer**, and then click the **Next** button.



- 10 For LPR Users:
Select **Search the network for devices and choose from a list of discovered devices (Recommended)**. Or enter your printer's IP address or its node name. Click the **Next** button.

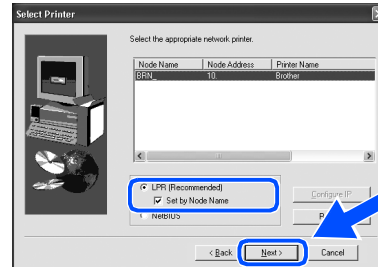
For NetBIOS Users:

Select **Search the network for devices and choose from a list of discovered devices (Recommended)**. Click the **Next** button.



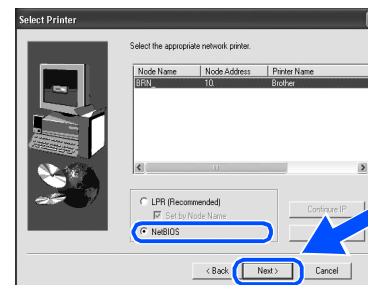
Contact your Administrator about the printer's IP Address or node name.

- 11 For LPR Users:
Select your printer and **LPR (Recommended)**, and then click the **Next** button.

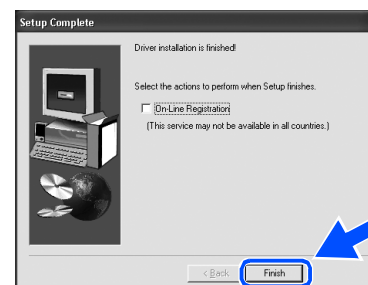


For NetBIOS Users:

Select your printer and **NetBIOS**, and then click the **Next** button.



- 12 Click the **Finish** button.



If you want to register your product on-line, check **On-Line Registration**.

- OK! For Windows NT® 4.0 and Windows® 2000/XP users:
Setup is now complete.

- OK! For Windows® 95 / 98 / Me users:
After your PC has restarted, setup will be complete.



For Network Interface Cable Users

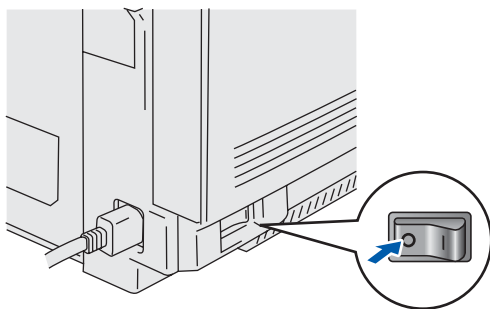
For Network Shared Printer Users



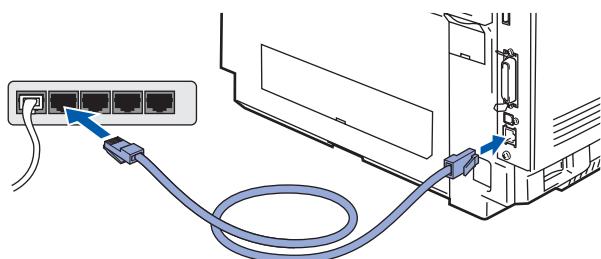
If you are going to connect the printer to your network, we recommended that you contact your system administrator prior to installation.

Installing the Driver, Connecting the Cable and Selecting the Appropriate Printer Queue or Share name

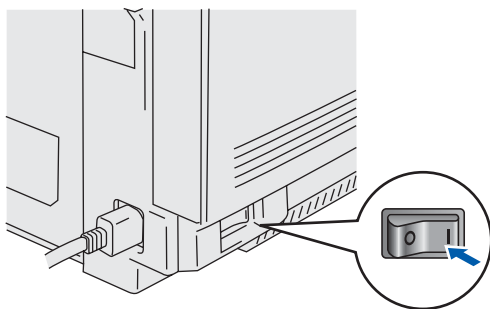
- 1 Turn off the printer's power switch.



- 2 Connect the network interface cable to the printer, and then connect it to a free port on your hub.



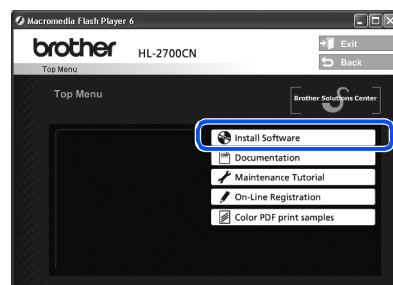
- 3 Turn on the printer's power switch.



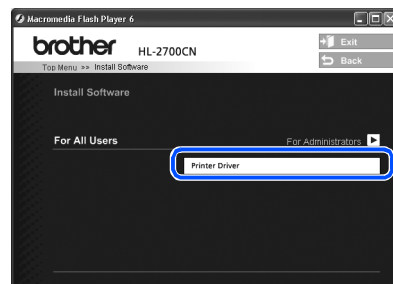
- 4 Insert the CD-ROM into your CD-ROM drive. The opening screen will appear automatically. Follow the on-screen instructions.



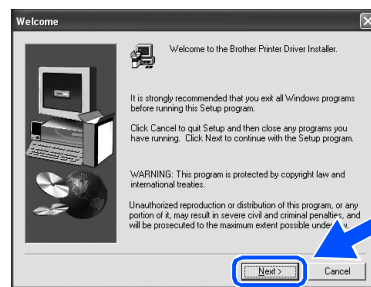
- 5 Click **Install Software** on the menu screen.



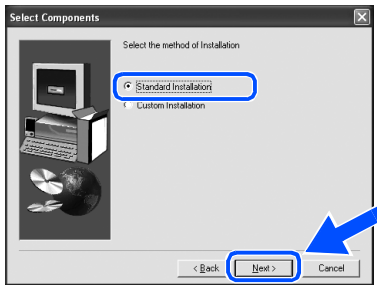
- 6 Click **Printer Driver**.



- 7 Click the **Next** button. Follow the on-screen instructions.

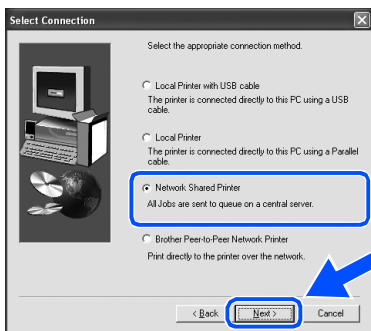


- 8 Select **Standard Installation**, and then click the **Next** button.

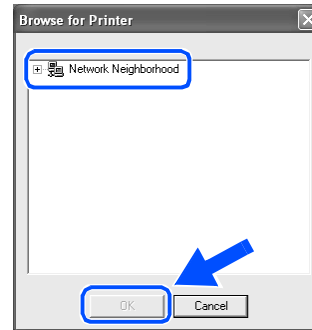


If you want to install the PS driver, select **Custom** and then follow the on-screen instructions. When the **Select Components** screen appears, check **PS Printer Driver**, and then continue following the on-screen instructions.

- 9 Select the **Network Shared Printer**, and then click the **Next** button.

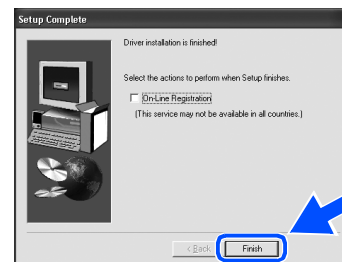


- 10 Select your printer's queue, and then click the **OK** button.



Contact your Administrator about the printer's queue.

- 11 Click the **Finish** button.



If you want to register your product on-line, check **On-Line Registration**.

- OK! **Setup is now complete.**

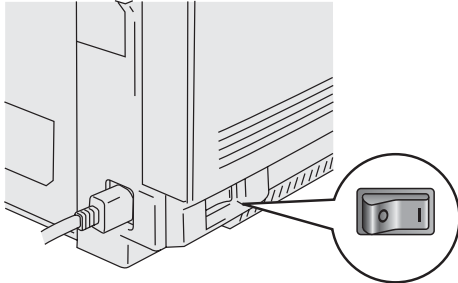


For USB Interface Cable Users

For Mac OS[®] 8.6 to 9.2 Users

Connecting the Printer to your Macintosh[®] & Installing the Driver

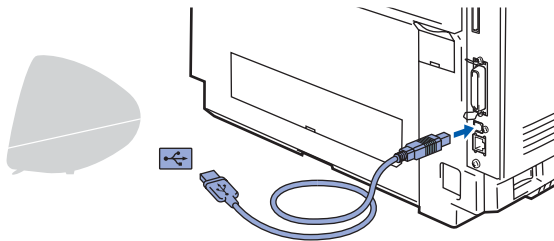
- 1 Make sure the printer's power switch is on.



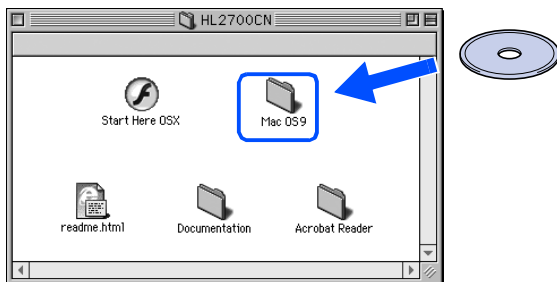
- 2 Connect the USB interface cable to your Macintosh[®], and then connect it to the printer.



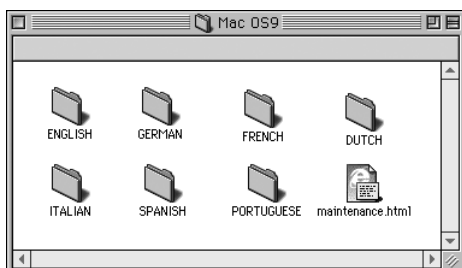
Do not connect the USB cable to the keyboard USB Port or a non-powered USB Hub.



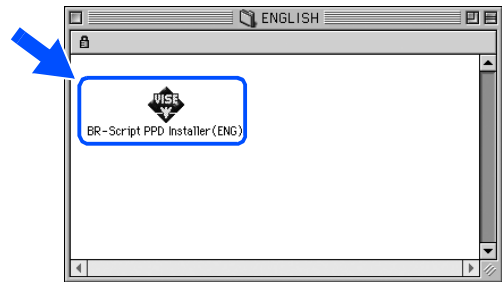
- 3 Insert the CD-ROM into your CD-ROM drive.
Open the **Mac OS 9** folder.



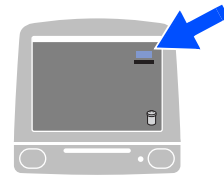
- 4 Open your language folder.



- 5 Double-click the **BR-Script PPD installer** icon.
Follow the on-screen instructions.

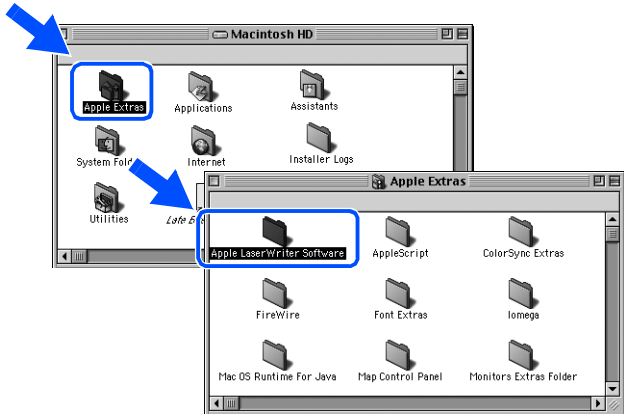


- 6 Open the **Macintosh HD** icon.



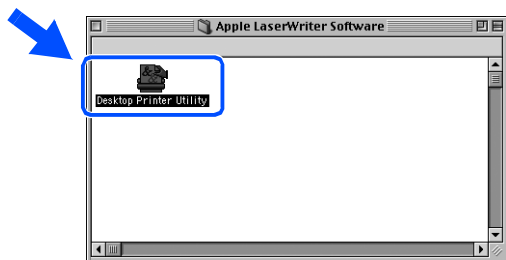
- 7 For Mac OS® 8.6 to 9.04 Users:
Open the **Apple Extras** folder.
Open the **Apple LaserWriter Software** folder.

For Mac OS® 9.1 to 9.2 Users:
Open the **Applications** (Mac OS® 9) folder.
Open the **Utilities** folder.

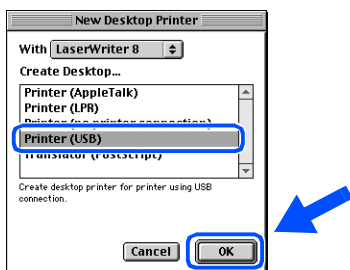


* The screens are based on Mac OS® 9.04.

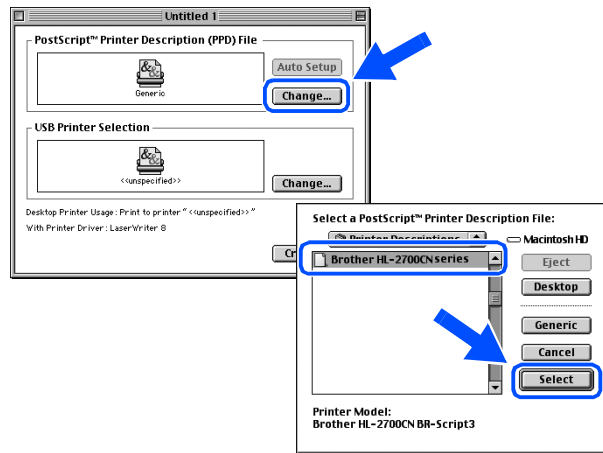
- 8 Open the **Desktop Printer Utility** icon.



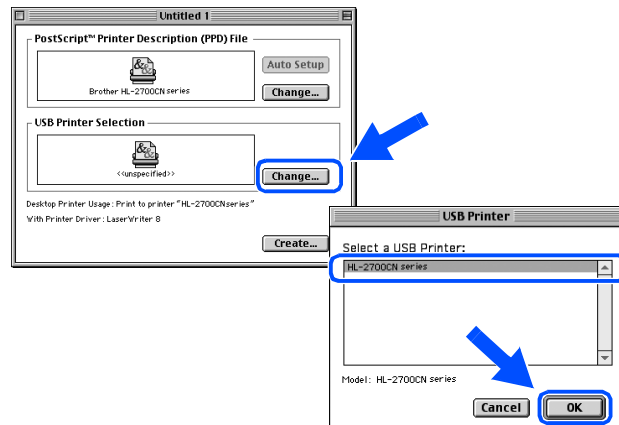
- 9 Select **Printer (USB)**, and then click the **OK** button.



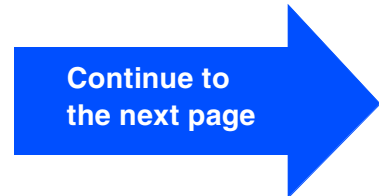
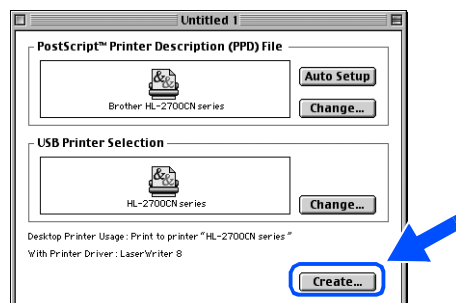
- 10 Click the **Change...** button in **PostScript™ Printer Description (PPD) File**.
Select **Brother HL-2700CN series**, and then click the **Select** button.



- 11 Click the **Change...** button in the **USB Printer Selection**.
Select **HL-2700CN series**, and then click the **OK** button.



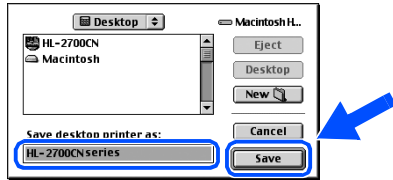
- 12 Click the **Create...** button.



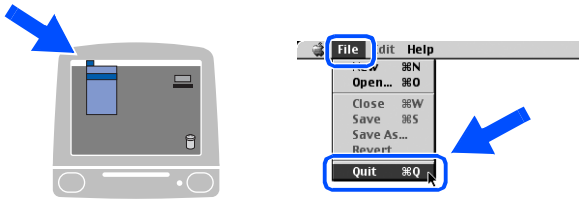


For USB Interface Cable Users

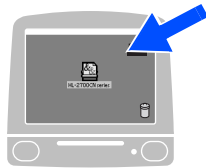
- 13 Enter your printer name (HL-2700CN series), and then click the **Save** button.



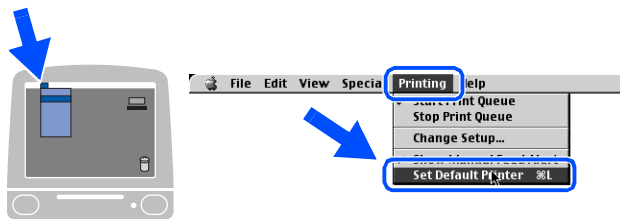
- 14 Select **Quit** from the **File** menu.



- 15 Click the **HL-2700CN series** icon on the Desktop.



- 16 From the **Printing** menu, select **Set Default Printer**.



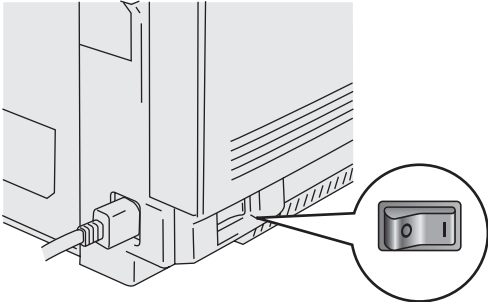
- OK!** Setup is now complete.

 For USB Interface Cable Users


For Mac OS® X 10.1 / 10.2 Users

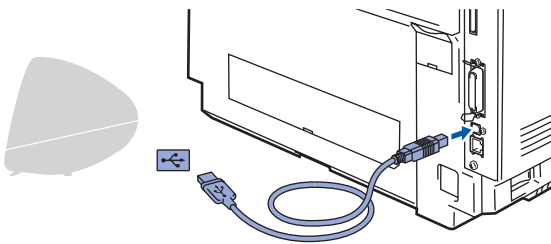
Connecting the Printer to your Macintosh® & Installing the BR-Script PPD File

- 1 Make sure the printer's power switch is on.

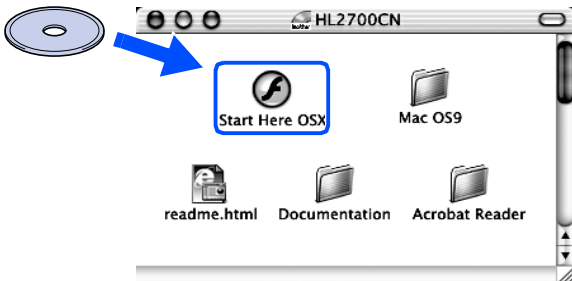


- 2 Connect the USB interface cable to your Macintosh®, and then connect it to the printer.

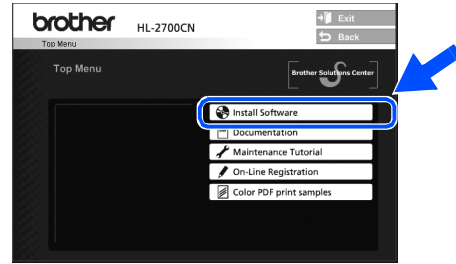
 Do not connect the USB cable to the keyboard USB Port or to a non-powered USB Hub.



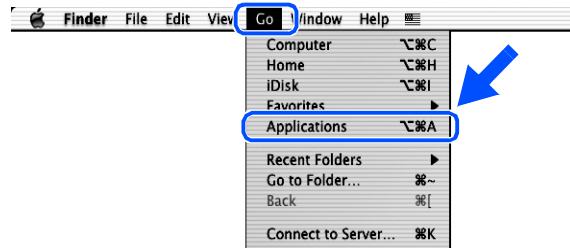
- 3 Insert the CD-ROM into your CD-ROM drive. Double click the **Start Here OS X** icon. Follow the instructions on the screen.



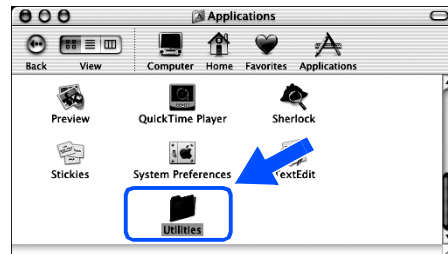
- 4 Click **Install Software** on the menu screen. Follow the on-screen instructions.



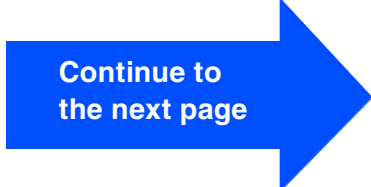
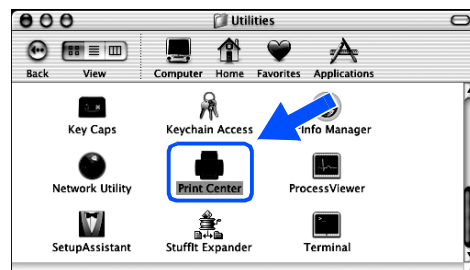
- 5 From the **Go** menu, select **Applications**.



- 6 Open the **Utilities** folder.



- 7 Open the **Print Center** icon.



Setting Up
Your Printer

Installing the Driver

Macintosh®
USB

For
Administrators

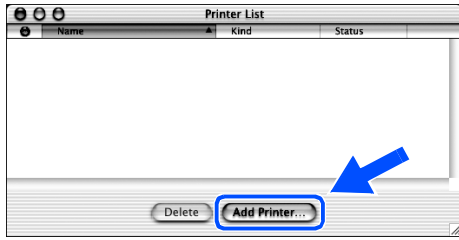
Step 2

Installing the Driver

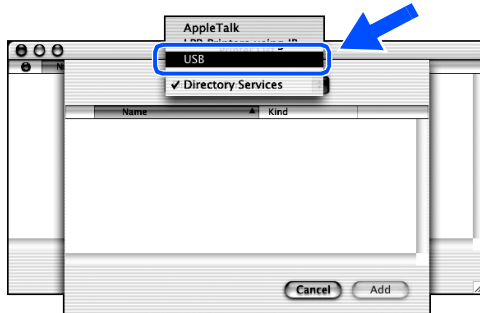


For USB Interface Cable Users

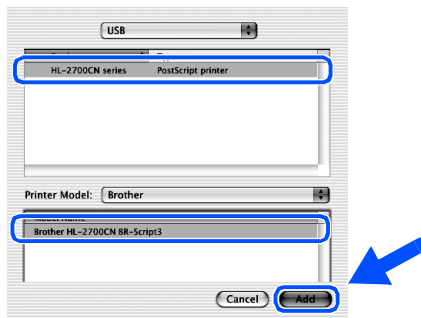
- 8 Click the **Add Printer...** button.



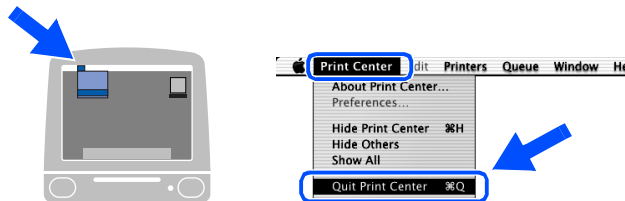
- 9 Select **USB**.



- 10 Select **HL-2700CN series**, and then click the **Add** button.



- 11 From the **Print Center** menu, select **Quit Print Center**.



- OK!** Setup is now complete.



For Network Interface Cable Users

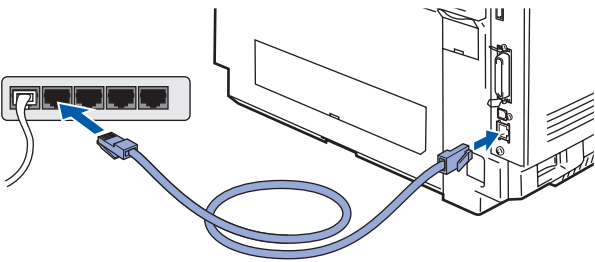
For Mac OS® 8.6 to 9.2 Users

Connecting the Printer to your Macintosh® & Installing the BR-Script PPD File

- 1 Turn off the printer's power switch.



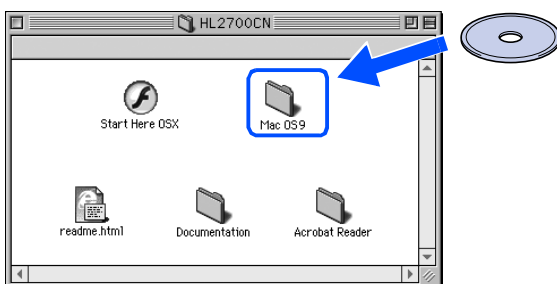
- 2 Connect the network interface cable to the printer, and then connect it to a free port on your hub.



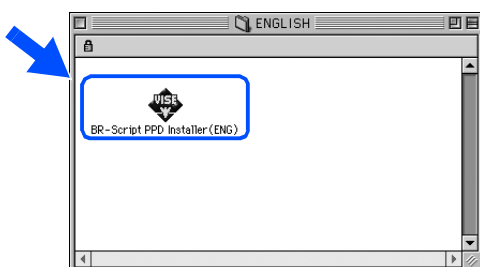
- 3 Turn on the printer's power switch.



- 4 Insert the CD-ROM for Macintosh® into your CD-ROM drive. Open the **Mac OS 9** folder. Open your language folder.



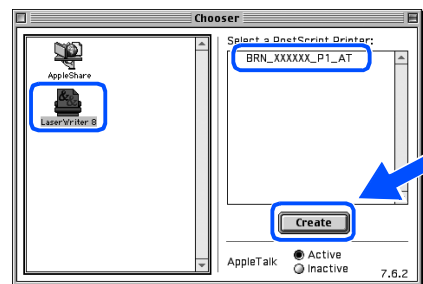
- 5 Double-click the **BR-Script PPD Installer** icon to install the PPD file. Follow the on-screen instructions.



- 6 From the **Apple** menu, open the **Chooser**.



- 7 Click the **LaserWriter 8** *1 icon, and then select **BRN_xxxxxx_P1_AT** *2. Click the **Create** button. Close the **Chooser**.



*1 If the Apple LaserWriter 8 Driver is not already installed on your system, you can download it from <http://www.apple.com>

*2 xxxxxx are the last six digits of the Ethernet address.



Network User's Guide Chapter 7.

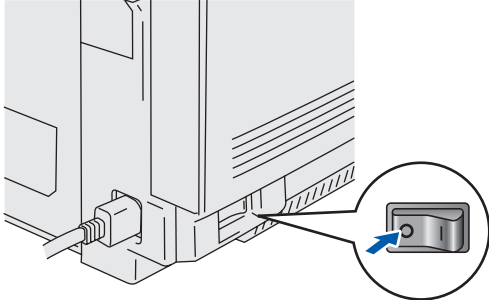
- OK! Setup is now complete.

For Network Interface Cable Users

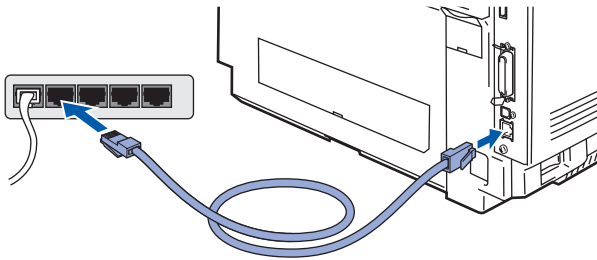
For Mac OS[®] X 10.1 / 10.2 Users

Connecting the Printer to your Macintosh[®] & Installing the BR-Script PPD File

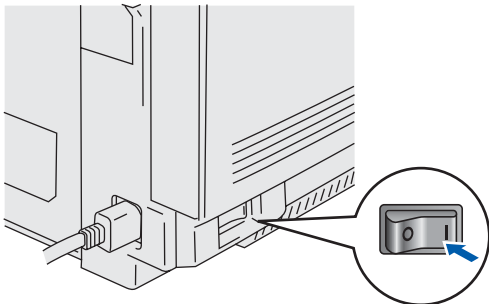
- 1 Turn off the printer's power switch.



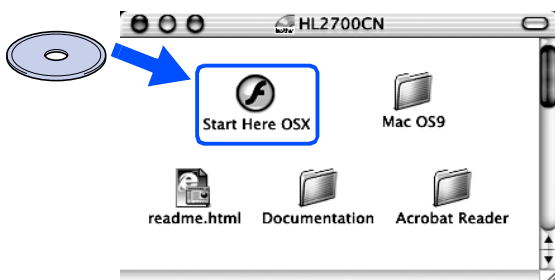
- 2 Connect the network interface cable to the printer, and then connect it to a free port on your hub.



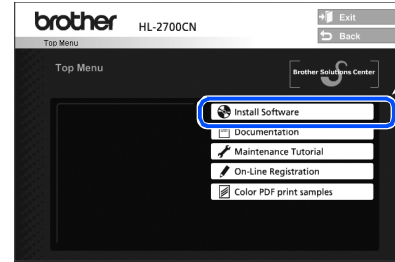
- 3 Turn on the printer's power switch.



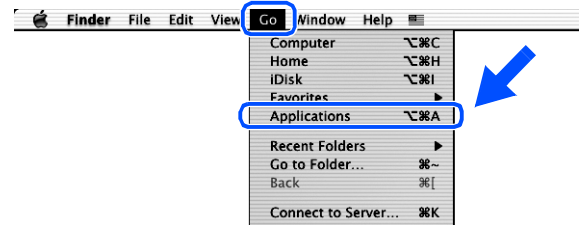
- 4 Insert the CD-ROM into the CD-ROM drive. Double click the **Start Here OS X** icon. Follow the instructions on the screen.



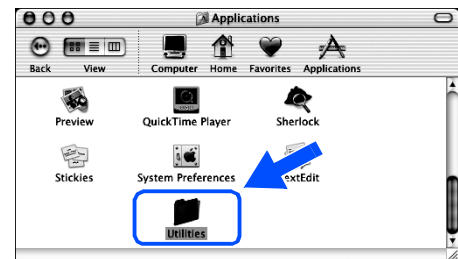
- 5 Click **Install Software** on the menu screen. Follow the on-screen instructions.



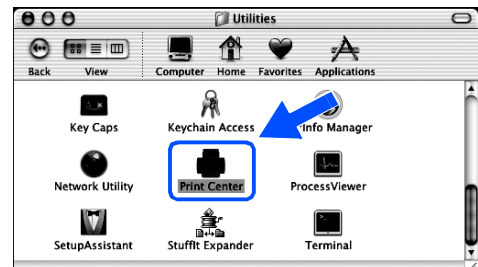
- 6 From the **Go** menu, select **Applications**.



- 7 Open the **Utilities** folder.

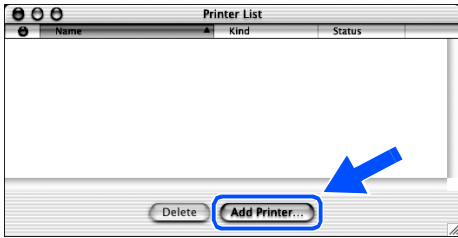


- 8 Open the **Print Center** icon.

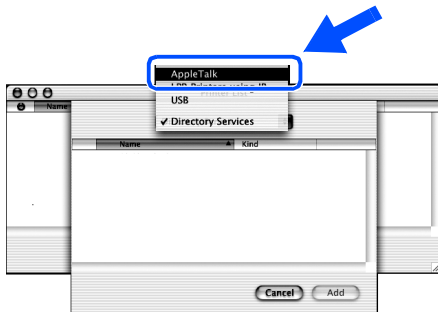


For Network Interface Cable Users

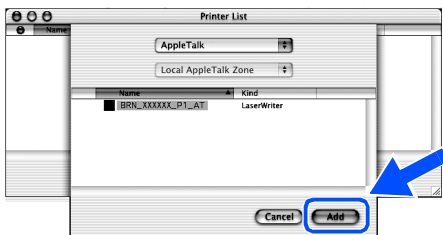
- 9 Click the **Add Printer...** button.



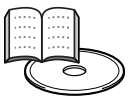
- 10 Select **AppleTalk**.



- 11 Select **BRN_XXXXXX_P1_AT^{*1}**, and then click the **Add** button.

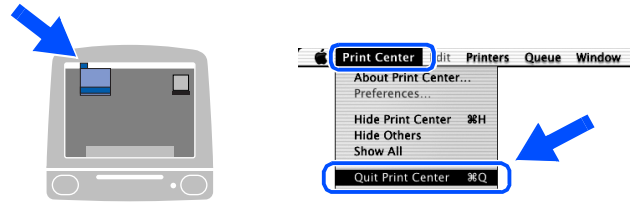


^{*1} XXXXXX are the last six digits of the Ethernet address.



Network User's Guide Chapter 7.

- 12 From the **Print Center** menu, select **Quit Print Center**.



- OK! Setup is now complete.

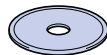
Installing BRAdmin Professional utility (Windows® users only)

The BRAdmin Professional utility is designed to manage your Brother network-connected devices.

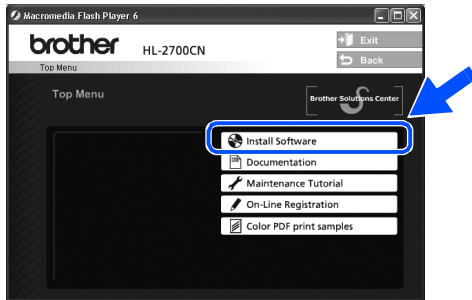
BRAdmin Professional utility can also be used to manage devices from other manufacturers whose products support SNMP (Simple Network Management Protocol).

For more information on BRAdmin Professional go to <http://solutions.brother.com>

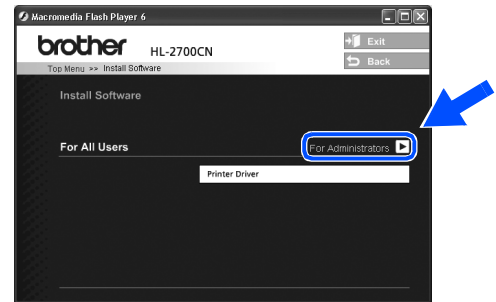
- 1 Insert the CD-ROM into your CD-ROM drive. The opening screen will appear automatically. Follow the on-screen instructions.



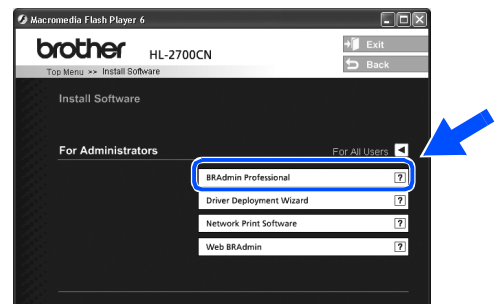
- 2 Click the **Install Software** icon on the menu screen.



- 3 Click **For Administrators**.



- 4 Click **BRAdmin Professional**.



The default password for the print server is '**access**'. You can use the BRAdmin Professional utility or a web browser to change this password.

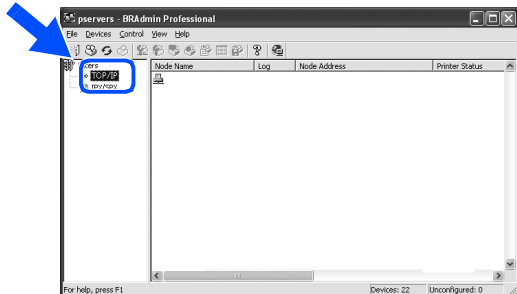
Web BRAdmin (Windows® Users Only)

Brother has also developed Web BRAdmin, an enterprise network software utility that enables the management of Brother and other SNMP-compliant devices in larger LAN/WAN environments.

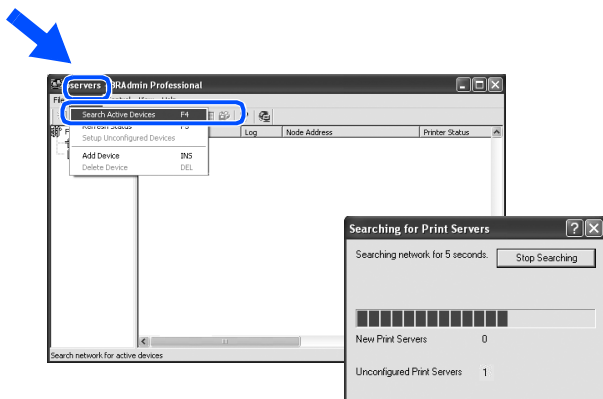
This software is Web server based and requires the installation of Microsoft's Internet Information Server and Sun's Java client software. To learn more about the Web BRAdmin software or to download it, please go to <http://solutions.brother.com/webbradmin>

Setting your IP Address, Subnet Mask and Gateway using BRAdmin Professional utility (Windows® users only)

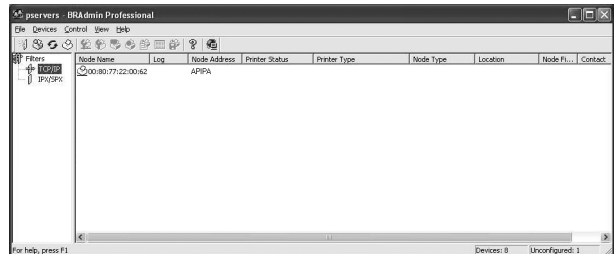
- 1 Start BRAdmin Professional, and select **TCP/IP**.



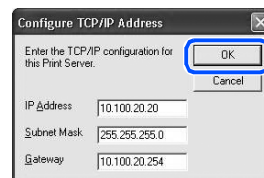
- 2 Select **Search Active Devices** from the **Devices** menu. BRAdmin will search for new devices automatically.



- 3 Double-click the new device.



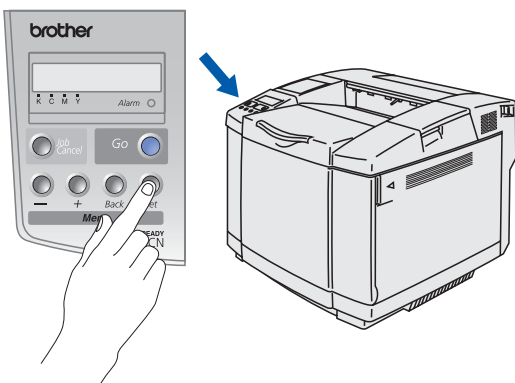
- 4 Enter the **IP Address**, **Subnet Mask** and **Gateway**, and then click the **OK** button.



- 5 The address information will be saved to the printer.

Print Printer Settings Page

The Printer Settings Page lists all the current printer settings, including network settings. To print the Printer Settings Page, press the **Set** button three times.



Factory Default Setting

You can reset all the print server settings (including the password) back to factory defaults. For steps on how to reset the print server, see Chapter 3 “Network factory default setting” on page 3-22 of the User’s Guide.



User’s Guide Chapter 3

Shipment of the Printer



Once your printer has been set-up and used, we do not recommend that it be moved or shipped unless absolutely necessary.

Color laser printers are complex printing devices. Moving the printer or shipping it without properly removing the installed supplies can result in SEVERE damage to the printer. As a result, your printer may not operate properly afterwards.

If the printer must be shipped, please go to <http://solutions.brother.com> for a detailed, step-by-step instruction on how to properly prepare your printer for transport.

Failure to properly prepare the printer for shipping according to the instructions located at <http://solutions.brother.com> may VOID YOUR WARRANTY.

Trademarks

The Brother logo is a registered trademark of Brother Industries, Ltd.

Windows® and Windows NT® are registered trademarks of Microsoft Corporation in the U.S and other countries.

Apple Macintosh®, iMac, LaserWriter, and AppleTalk are trademarks of Apple Computer, Inc.

HP, HP/UX, JetDirect and JetAdmin are trademarks of Hewlett-Packard Company.

UNIX is a trademark of UNIX Systems Laboratories.

Adobe PostScript® and PostScript3™ are trademarks of Adobe Systems Incorporated.

Netware is a trademark of Novell, Inc.

ENERGY STAR is a U.S. registered mark.

All other brand and product names mentioned in this Quick Setup Guide are registered

Compilation and Publication

This manual has been compiled and published under the supervision of Brother Industries Ltd., covering the latest product descriptions and specifications.

The contents of this manual and the specifications of this product are subject to change without notice.

Brother reserves the right to make changes without notice in the specifications and materials contained herein and shall not be responsible for any damages (including consequential) caused by reliance on the materials presented, including but not limited to typographical and other errors relating to the publication.

This product is designed for use in a professional environment.

This printer contains UFST and Micro Type from Monotype Imaging Inc.

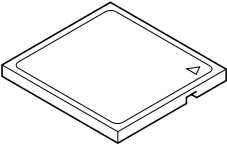
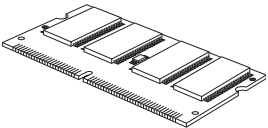

Options

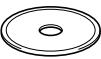
The printer has the following optional accessories. You can expand the capabilities of the printer by adding these items.



User's Guide Chapter 4.

<p>Lower Tray Unit</p>	<p>Legal Tray</p>	<p>Duplex Unit</p>
<p>LT-27CL</p>	<p>LT-27LG</p>	<p>DX-2700</p>
 <p>Second lower paper tray unit expands total input capacity up to 530 sheets.</p>	 <p>You can print on legal sized paper as well as A4, B5 and others.</p>	 <p>The Duplex unit is an optional device that allows you to print on both sides of a page.</p>

<p>CompactFlash Card</p>	<p>SO-DIMM Memory</p>	<p>Font Package</p>
<p>BS-3000</p>	 <p>The printer accepts a CompactFlash card for saving macros, print jobs, fonts and print logs.</p>	 <p>You can expand the memory up to a total of 576 MB by installing (144-pin SO-DIMM) memory modules.</p>
 <p>The optional font package (BS-3000) is the CD-ROM you need for installing the 136 PS3 Agfa and TrueType Fonts.</p>		

<p>Barcode Font</p>
<p>BT-1000</p>
 <p>The optional Barcode fonts package (BT-1000) is the CD-ROM you need for installing the Barcode Fonts.</p>

brother®

LM0478001②
Printed in Japan

©2003 Brother Industries, Ltd. ©1998-2003 TROY Group, Inc. ©1983-2003 PACIFIC SOFTWARES INC. ALL RIGHTS RESERVED

Free Manuals Download Website

<http://myh66.com>

<http://usermanuals.us>

<http://www.somanuals.com>

<http://www.4manuals.cc>

<http://www.manual-lib.com>

<http://www.404manual.com>

<http://www.luxmanual.com>

<http://aubethermostatmanual.com>

Golf course search by state

<http://golfingnear.com>

Email search by domain

<http://emailbydomain.com>

Auto manuals search

<http://auto.somanuals.com>

TV manuals search

<http://tv.somanuals.com>