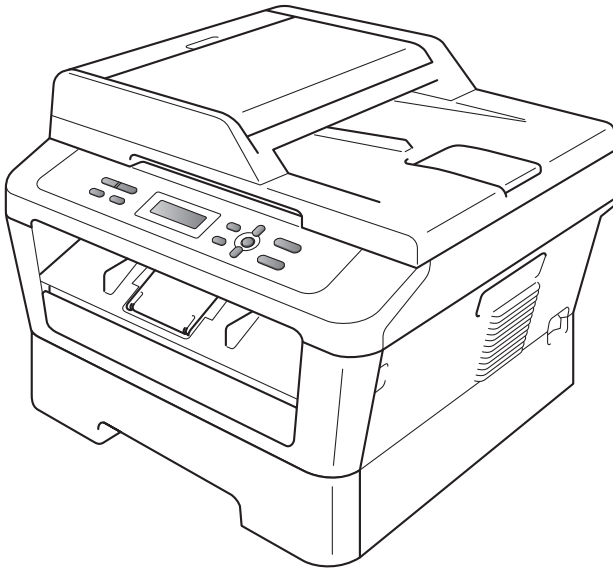


ADVANCED USER'S GUIDE



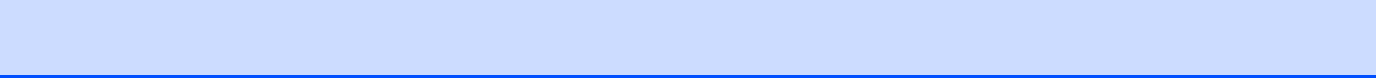
DCP-7055
DCP-7055W
DCP-7057
DCP-7057W
DCP-7060D
DCP-7065DN
DCP-7070DW

User's Guides and where do I find it?

Which manual?	What's in it?	Where is it?
Safety and Legal	Read this Guide first. Please read the Safety Instructions before you set up your machine. See this Guide for trademarks and legal limitations.	Printed / In the Box
Quick Setup Guide	Follow the instructions for setting up your machine and installing the drivers and software for the operating system and connection type you are using.	
Basic User's Guide	Learn the basic Copy and Scan operations and how to replace consumables. See troubleshooting tips.	PDF file / Documentation CD-ROM / In the Box
Advanced User's Guide	Learn more advanced operations: Copy, printing reports, and performing routine maintenance.	
Software User's Guide	Follow these instructions for Printing and Scanning. Instructions are included for Network Scanning (For DCP-7055W / DCP-7057W / DCP-7065DN / DCP-7070DW) and using the Brother ControlCenter utility.	
Network Glossary (For DCP-7055W / DCP-7057W / DCP-7065DN / DCP-7070DW)	This Guide provides basic information about advanced network features of Brother machines along with explanations about general networking and common terms.	
Network User's Guide (For DCP-7055W / DCP-7057W / DCP-7065DN / DCP-7070DW)	This Guide provides useful information about wired and wireless network settings and security settings using the Brother machine. You can also find supported protocol information for your machine and detailed troubleshooting tips.	

Table of Contents

1	General Setup	1
	Memory Storage	1
	Ecology features	1
	Toner Save	1
	Sleep Mode	1
	Deep Sleep mode	2
	Toner Settings	2
	Toner Setting (Continue Mode)	2
	LCD Contrast	3
	User Settings Report	3
	Network Configuration Report (For DCP-7055W / DCP-7057W / DCP-7065DN / DCP-7070DW)	4
	WLAN Report (For DCP-7055W / DCP-7057W / DCP-7070DW)	4
	Scanning using a scanner driver	5
2	Making copies	6
	Copy settings	6
	Stop copying	6
	Using the Options key	7
	Improving copy quality	9
	Sorting copies using the ADF (For DCP-7065DN)	9
	Enlarging or reducing the image copied	9
	Adjusting Contrast and Brightness	10
	Making N in 1 copies (page layout)	11
	2 in 1 ID Copy	12
	Duplex Copying (1-sided to 2-sided) (For DCP-7060D / DCP-7065DN / DCP-7070DW)	13
	Duplex Copy (long edge flip)	13
	Advanced Duplex Copy (short edge flip)	14
A	Routine maintenance	15
	Cleaning the machine	15
	Checking the machine	15
	Checking the Page Counters	15
	Checking the remaining life of the drum unit	16
	Packing and shipping the machine	16
B	Glossary	18
C	Index	19



Memory Storage

Your menu settings are stored permanently, and in the event of a power failure will *not* be lost. Temporary settings (for example, Contrast) *will* be lost.

Ecology features

Toner Save

You can save toner using this feature. When you set Toner Save to *On*, prints appear lighter. The default setting is *Off*.

- 1 Press **Menu**.
- 2 Press **▲** or **▼** to choose 1.General Setup and press **OK**.
- 3 Press **▲** or **▼** to choose 2.Ecology and press **OK**.
- 4 Press **▲** or **▼** to choose 1.Toner Save and press **OK**.
- 5 Press **▲** or **▼** to choose *On* or *Off* and press **OK**.
- 6 Press **Stop/Exit**.



Note

We do not recommend Toner Save for printing Photo or Greyscale images.

Sleep Mode

The Sleep Mode Setting can reduce power consumption. When the machine is in Sleep Mode (Power Save mode) it acts as if it is turned off. Receiving data or starting an operation wakes up the machine from Sleep mode to Ready mode.

You can choose how long the machine must be idle before it goes into sleep mode. When the machine receives computer data or makes a copy, the timer will be reset. The default setting is 3 minutes.

While the machine is in sleep mode the LCD will show *Sleep*.

- 1 Press **Menu**.
- 2 Press **▲** or **▼** to choose *1.General Setup* and press **OK**.
- 3 Press **▲** or **▼** to choose *2.Ecology* and press **OK**.
- 4 Press **▲** or **▼** to choose *2.Sleep Time* and press **OK**.
- 5 Press **▲** or **▼** to select the length of time the machine is idle before entering sleep mode. Press **OK**.
- 6 Press **Stop/Exit**.

Deep Sleep mode

If the machine is in Sleep mode and does not receive any jobs for a certain length of time, the machine will automatically enter Deep Sleep mode, and the LCD will show *Deep Sleep*. Deep Sleep mode uses less power than Sleep mode. The machine will wake up and start warming up when the machine receives computer data or when you press a key on the control panel.

(For DCP-7055W / DCP-7057W / DCP-7070DW)

If a wireless network is enabled, the machine does not enter Deep Sleep mode. To disable the wireless network, see *Chapter 3* in the *Network User's Guide*.

Toner Settings

Toner Setting (Continue Mode)

You can set the machine to continue printing after the LCD shows *Replace Toner*. The machine will continue printing until the LCD shows *Toner Ended*. The default setting is *Stop*.

- 1 Press **Menu**.
- 2 Press **▲** or **▼** to choose *1.General Setup* and press **OK**.
- 3 Press **▲** or **▼** to choose *4.Replace Toner* and press **OK**.
- 4 Press **▲** or **▼** to choose *Continue* or *Stop*, press **OK**.
- 5 Press **Stop/Exit**.



Note

- If you continue printing in the Continue mode, we cannot guarantee the print quality.
- While using Continue mode the print may appear faint.

LCD Contrast

You can change the contrast to make the LCD look lighter or darker.

- 1 Press **Menu**.
- 2 Press **▲** or **▼** to choose 1. *General Setup* and press **OK**.
- 3 Press **▲** or **▼** to choose 3. *LCD Contrast* and press **OK**.
- 4 Press **▲** to make the LCD darker. Or, press **▼** to make the LCD lighter. Press **OK**.
- 5 Press **Stop/Exit**.

User Settings Report

You can print a list of the settings you have programmed.

- 1 Press **Menu**.
- 2 (For DCP-7055/DCP-7057/DCP-7060D)
Press **▲** or **▼** to choose 3. *Machine Info.* and press **OK**.

(For DCP-7055W / DCP-7057W / DCP-7065DN)
Press **▲** or **▼** to choose 4. *Machine Info.* and press **OK**.

(For DCP-7070DW)
Press **▲** or **▼** to choose 5. *Machine Info.* and press **OK**.
- 3 Press **▲** or **▼** to choose 3. *User Settings*. Press **OK**.
- 4 Press **Start**.
- 5 Press **Stop/Exit**.

Network Configuration Report (For DCP-7055W / DCP-7057W / DCP-7065DN / DCP-7070DW)

You can print a report showing the current network configuration, including the internal print server settings.



Note

Node name: Node name appears in the Network Configuration List. The default node name is "BRNXXXXXXXXXXXX".

- 1 Press **Menu**.
- 2 (For DCP-7055W / DCP-7057W / DCP-7065DN)
Press ▲ or ▼ to choose 4.Machine Info..
Press **OK**.

(For DCP-7070DW)
Press ▲ or ▼ to choose 5.Machine Info..
Press **OK**.
- 3 Press ▲ or ▼ to choose 4.Network Config.
Press **OK**.
- 4 Press **Start**.

WLAN Report (For DCP-7055W / DCP-7057W / DCP-7070DW)

Prints the result of wireless LAN connectivity diagnosis.

- 1 Press **Menu**.
- 2 (For DCP-7055W / DCP-7057W)
Press ▲ or ▼ to choose 4.Machine Info..
Press **OK**.

(For DCP-7070DW)
Press ▲ or ▼ to choose 5.Machine Info..
Press **OK**.
- 3 Press ▲ or ▼ to choose 5.WLAN Report.
Press **OK**.
- 4 Press **Start**.
- 5 Press **Stop/Exit**.

Scanning using a scanner driver

For information about using a scanner driver, see *Scanning a document using the TWAIN driver* or *Scanning a document using the WIA driver* in the *Software User's Guide*.

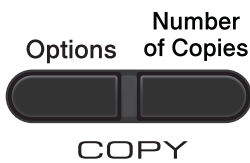
2

Making copies

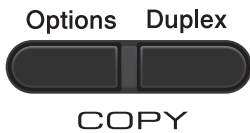
Copy settings

When you want to quickly change the copy settings temporarily for the next copy, use the temporary **COPY** keys. You can use different combinations.

DCP-7055 / DCP-7055W / DCP-7057 / DCP-7057W



DCP-7060D / DCP-7065DN / DCP-7070DW






The machine returns to its default settings one minute after copying.

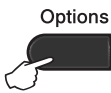
Stop copying

To stop copying, press **Stop/Exit**.

Using the Options key

Make sure you are in Copy mode. Use the **Options** key to quickly set the following copy settings temporarily for the next copy.

Press	Menu selections	Options	Page
<p>Options</p> 	<p>Press ▲ or ▼, then press OK</p> 	<p>Press ▲ or ▼, then press OK</p> 	
	<p>Quality</p>	<p>Auto* Text Photo Graph</p>	<p>9</p>
	<p>Stack/Sort (For DCP-7065DN: Appears when the document is in the ADF)</p>	<p>Stack* Sort</p>	<p>9</p>
	<p>Brightness</p>	<p>-■□□□+ -□■□□+ -□□■□+* -□□□■+ -□□□■+</p>	<p>10</p>
	<p>Contrast</p>	<p>-■□□□+ -□■□□+ -□□■□+* -□□□■+ -□□□■+</p>	<p>10</p>

Press	Menu selections	Options	Page
Press 	Enlarge/Reduce	100%* 97% LTR→A4 94% A4→LTR 91% Full Page 85% LTR→EXE 83% 78% 70% A4→A5 50% Custom (25-400%) Auto ¹ 200% 141% A5→A4 104% EXE→LTR	9
	Page Layout	Off(1 in 1)* 2 in 1 (P) ² 2 in 1 (L) ² 2 in 1 (ID) 4 in 1 (P) ² 4 in 1 (L) ²	11
¹ When using the ADF ² (P) means Portrait and (L) means Landscape.			
The factory settings are shown in Bold with an asterisk.			

Improving copy quality

You can choose from a range of quality settings. The default setting is *Auto*.

■ Auto

Auto is the recommended mode for ordinary printouts. Suitable for documents that contain both text and photographs.

■ Text

Suitable for documents containing mainly text.

■ Photo

Better copy quality for photographs.

■ Graph

Suitable for copying receipts.

To temporarily change the quality setting, follow the steps below:

- 1 Load your document.
- 2 Press ▲ or ▼ to enter the number of copies you want.
- 3 Press **Options**. Press ▲ or ▼ to choose *Quality*. Press **OK**.
- 4 Press ▲ or ▼ to choose *Auto*, *Text*, *Photo* or *Graph*. Press **OK**.
- 5 Press **Start**.

To change the *default* setting, follow the steps below:

- 1 Press **Menu**.
- 2 Press ▲ or ▼ to choose *2.Copy*. Press **OK**.
- 3 Press ▲ or ▼ to choose *1.Quality*. Press **OK**.
- 4 Press ▲ or ▼ to choose the copy quality. Press **OK**.
- 5 Press **Stop/Exit**.

Sorting copies using the ADF (For DCP-7065DN)

You can sort multiple copies. Pages will be stacked in the order 1 2 3, 1 2 3, 1 2 3, and so on.

- 1 Load your document in the ADF.
- 2 Press ▲ or ▼ to enter the number of copies you want.
- 3 Press **Options**. Press ▲ or ▼ to choose *Stack/Sort*. Press **OK**.
- 4 Press ▲ or ▼ to choose *Sort*. Press **OK**.
- 5 Press **Start**.

Enlarging or reducing the image copied

You can choose the enlargement or reduction ratios.

To enlarge or reduce the next copy follow the instructions below:

- 1 Load your document.
- 2 Press ▲ or ▼ to enter the number of copies you want.
- 3 Press **Options**.
- 4 Press ▲ or ▼ to choose *Enlarge/Reduce*, then press **OK**.
- 5 Do one of the following:
 - Press ▲ or ▼ to choose the enlargement or reduction ratio you want. Press **OK**.
 - Press ▲ or ▼ to choose *Custom (25-400%)*. Press **OK**.

Press **▲** or **▼** to enter an enlargement or reduction ratio from 25% to 400%.

Press **OK**.

(For DCP-7065DN) *Auto* sets the machine to calculate the reduction ratio that best fits the size of paper. *Auto* is only available when using the ADF.

Custom (25-400%) allows you to enter a ratio from 25% to 400%.

- 6 Press **Start**.



Note

Page Layout Options 2 in 1 (P), 2 in 1 (L), 2 in 1 (ID), 4 in 1 (P) and 4 in 1 (L) are *not* available with *Enlarge/Reduce*.

Adjusting Contrast and Brightness

Contrast

Adjust the contrast to help an image look sharper and more vivid.

To *temporarily* change the contrast setting, follow the steps below:

- 1 Load your document.
- 2 Press **▲** or **▼** to enter the number of copies you want.
- 3 Press **Options**.
Press **▲** or **▼** to choose *Contrast*.
Press **OK**.
- 4 Press **▲** or **▼** to increase or decrease the contrast.
Press **OK**.
- 5 Press **Start**.

To change the *default* setting follow the steps below:

- 1 Press **Menu**.

- 2 Press **▲** or **▼** to choose 2. *Copy*.
Press **OK**.
- 3 Press **▲** or **▼** to choose 3. *Contrast*.
Press **OK**.
- 4 Press **▲** or **▼** to increase or decrease the contrast.
Press **OK**.
- 5 Press **Stop/Exit**.

Brightness

Adjust the copy brightness to make copies darker or lighter.

To *temporarily* change the copy brightness setting, follow the steps below:

- 1 Load your document.
- 2 Press **▲** or **▼** to enter the number of copies you want.
- 3 Press **Options**.
Press **▲** or **▼** to choose *Brightness*.
Press **OK**.
- 4 Press **▲** or **▼** to make a lighter copy or a darker copy.
Press **OK**.
- 5 Press **Start**.

To change the *default* setting follow the steps below:

- 1 Press **Menu**.
- 2 Press **▲** or **▼** to choose 2. *Copy*.
Press **OK**.
- 3 Press **▲** or **▼** to choose 2. *Brightness*.
Press **OK**.
- 4 Press **▲** or **▼** to make a lighter copy or a darker copy.
Press **OK**.
- 5 Press **Stop/Exit**.

Making N in 1 copies (page layout)

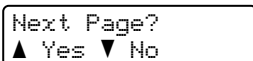
You can reduce the amount of paper used when copying by using the N in 1 copy feature. This allows you to copy two or four pages onto one page. If you want to copy both sides of an ID card onto one page, see *2 in 1 ID Copy* on page 12.

! IMPORTANT

- Please make sure the paper size is set to Letter or A4.
- (P) means Portrait and (L) means Landscape.
- You cannot use the Enlarge/Reduce setting with the N in 1 feature.

- 1 Load your document.
- 2 Press ▲ or ▼ to enter the number of copies you want.
- 3 Press **Options**. Press ▲ or ▼ to choose *Page Layout*. Press **OK**.
- 4 Press ▲ or ▼ to choose 2 in 1 (P), 2 in 1 (L), 2 in 1 (ID)¹, 4 in 1 (P), 4 in 1 (L) or Off(1 in 1). Press **OK**.

¹ For details about 2 in 1 (ID), see *2 in 1 ID Copy* on page 12.
- 5 Press **Start** to scan the page. (For DCP-7065DN) If you placed the document in the ADF, the machine scans the pages and starts printing. **If you are using the scanner glass, go to step 6.**
- 6 After the machine scans the page, press ▲ to scan the next page.



- 7 Put the next page on the scanner glass. Press **OK**. Repeat steps 6 and 7 for each page of the layout.
- 8 After all the pages have been scanned, press ▼ in step 6 to finish.

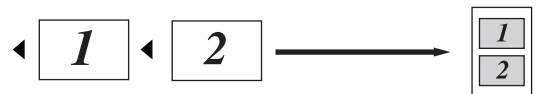
If you are copying from the ADF (For DCP-7065DN):

Insert your document *face up* in the direction shown below:

■ 2 in 1 (P)



■ 2 in 1 (L)



■ 4 in 1 (P)



■ 4 in 1 (L)



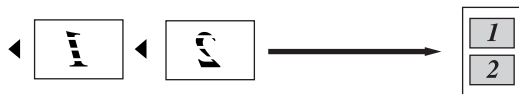
If you are copying from the scanner glass:

Place your document *face down* in the direction shown below:

■ 2 in 1 (P)



■ **2 in 1 (L)**



■ **4 in 1 (P)**



■ **4 in 1 (L)**



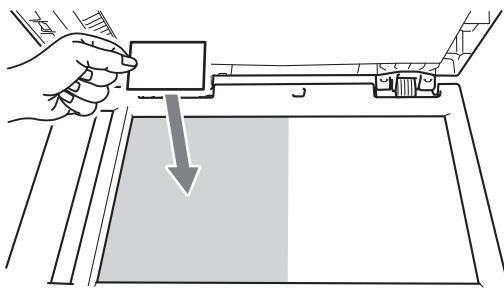
2 in 1 ID Copy

You can copy both sides of your identification card onto one page, keeping the original card size.

 **Note**

You can copy an identification card to the extent permitted under applicable laws. See *Legal limitations for copying* in the *Safety and Legal* booklet.

- 1 Place your identification card *face down* on the left side of the scanner glass.



- Even if a document is placed on the ADF, the machine scans the data from the scanner glass.

- 2 Press **Options**.
Press ▲ or ▼ to choose *Page Layout*.
Press **OK**.

- 3 Press ▲ or ▼ to choose *2 in 1 (ID)*.
Press **OK**.

- 4 Press **Start**.
After the machine scans the first side of the card, the LCD will show the following instruction.

Turn over the ID
Then Press Start

- 5 Turn over your identification card and place it at the left side of the scanner glass.

- 6 Press **Start**.
The machine scans the other side of the card and prints the page.

 **Note**

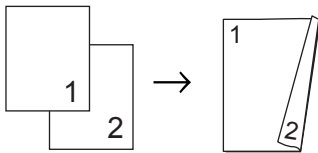
When 2 in 1 ID Copy is chosen, the machine sets the quality to *Photo* and the contrast to +2 (-□□□□■+).

Duplex Copying (1-sided to 2-sided) (For DCP-7060D / DCP-7065DN / DCP-7070DW)

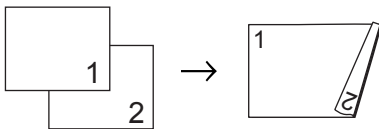
Duplex Copy (long edge flip)

■ 1 sided → 2 sided L

Portrait



Landscape



- 1 Load your document.
- 2 Press ▲ or ▼ to enter the number of copies you want.
- 3 Press **Duplex** and ▲ or ▼ to select 1sided→2sided L. Press **OK**.
- 4 Press **Start** to copy the page.
(For DCP-7065DN) If you placed the document in the ADF, the machine scans the pages and starts printing.
If you are using the scanner glass, go to step 6.
- 5 After the machine scans the page, press ▲ to scan the next page.

Next Page?
▲ Yes ▼ No

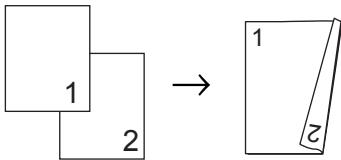
- 6 Place the next page on the scanner glass.
Press **OK**. Repeat steps 5 and 6 for the remaining pages.
- 7 After all the pages have been scanned, press ▼ in step 5 to finish.

2

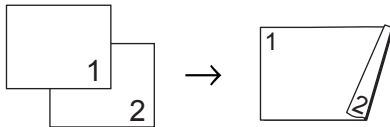
Advanced Duplex Copy (short edge flip)

■ 1 sided → 2 sided S

Portrait



Landscape



- 1 Load your document.
- 2 Press ▲ or ▼ to enter the number of copies you want.
- 3 Press **Duplex** and ▲ or ▼ to select 1sided→2sided S.
Press **OK**.
- 4 Press **Start** to copy the page.
(For DCP-7065DN) If you placed the document in the ADF, the machine scans the pages and starts printing.
If you are using the scanner glass, go to step 5.
- 5 After the machine scans the page, press ▲ to scan the next page.

Next Page?
 ▲ Yes ▼ No
- 6 Place the next page on the scanner glass.
Press **OK**. Repeat steps 5 and 6 for the remaining pages.
- 7 After all the pages have been scanned, press ▼ in step 5 to finish.

A

Routine maintenance

Cleaning the machine

Clean the outside and inside of the machine regularly with a dry, lint-free soft cloth. When you replace the toner cartridge or the drum unit, make sure that you clean the inside of the machine. For details about cleaning the machine, see the *Basic User's Guide*.

WARNING

DO NOT use cleaning materials that contain ammonia, alcohol, any type of spray, or any type of flammable substance to clean the outside or inside of the machine. Doing this may cause a fire or electrical shock.

See *To use the product safely* in the *Safety and Legal booklet* for how to clean the machine.



Be careful not to inhale toner.

IMPORTANT

Use neutral detergents. Cleaning with volatile liquids such as thinner or benzene will damage the surface of the machine.

Checking the machine

Checking the Page Counters

You can see the machine's Page Counters for copies, printed pages, reports and lists or a summary total.

- 1 Press **Menu**.
- 2 Press **▲** or **▼** to choose one of the following:
 - 3.Machine Info.
(DCP-7055/DCP-7057/DCP-7060D)
 - 4.Machine Info.
(DCP-7055W/DCP-7057W/
DCP-7065DN)
 - 5.Machine Info. (DCP-7070DW)Press **OK**.
- 3 Press **▲** or **▼** to choose 2 .Page Counter.
Press **OK**.
- 4 Press **▲** or **▼** to see Total, List, Copy or Print.
- 5 Press **Stop/Exit**.

Checking the remaining life of the drum unit

You can see the machine's parts life on the LCD.

- 1 Press **Menu**.
- 2 Press **▲** or **▼** to choose one of the following:
 - 3.Machine Info.
(DCP-7055/DCP-7057/DCP-7060D)
 - 4.Machine Info.
(DCP-7055W/DCP-7057W/
DCP-7065DN)
 - 5.Machine Info. (DCP-7070DW)

Press **OK**.

- 3 Press **▲** or **▼** to choose one of the following:
 - 4.Drum Life
(DCP-7055/DCP-7057/DCP-7060D)
 - 5.Drum Life (DCP-7065DN)
 - 6.Drum Life
(DCP-7055W/DCP-7057W/
DCP-7070DW)

Press **OK**.

- 4 Press **Stop/Exit**.



Note

The life check will be accurate only if you have reset the part counter when you installed a new part. It will not be accurate if that part's life counter was reset during the life of the used part.

Packing and shipping the machine

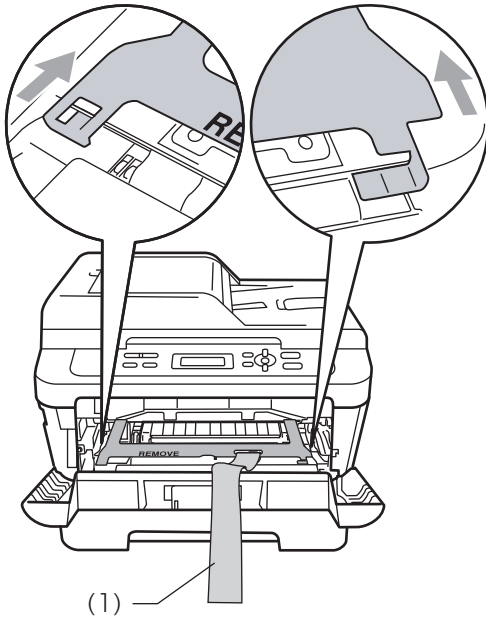


Note

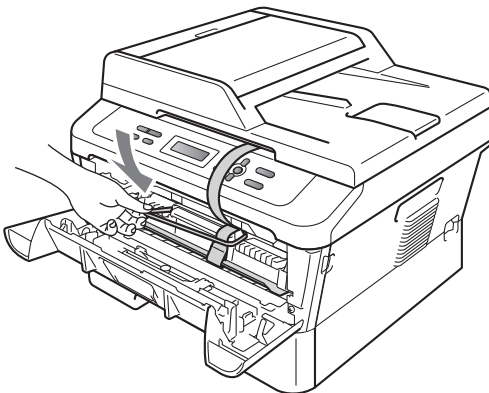
- If for any reason you must ship your machine, carefully repack the machine in the original packaging to avoid any damage during transit. The machine should be adequately insured with the carrier.
 - If you are returning your machine to Brother as part of the Exchange Service, pack only the machine. Keep all separate parts, including the drum unit, the toner cartridges, and printed materials to use with your 'replacement' machine.
-

- 1 Turn off the machine's power switch. Disconnect all the cables, and then unplug the power cord from the AC power outlet. Leave the machine turned off for at least 10 minutes to cool down.
- 2 Open the front cover.
- 3 Remove the drum unit and toner cartridge assembly. Leave the toner cartridge installed in the drum unit.

- 4 Put the protective material (1) in the machine with the "REMOVE" text to the left, as shown in the illustration.

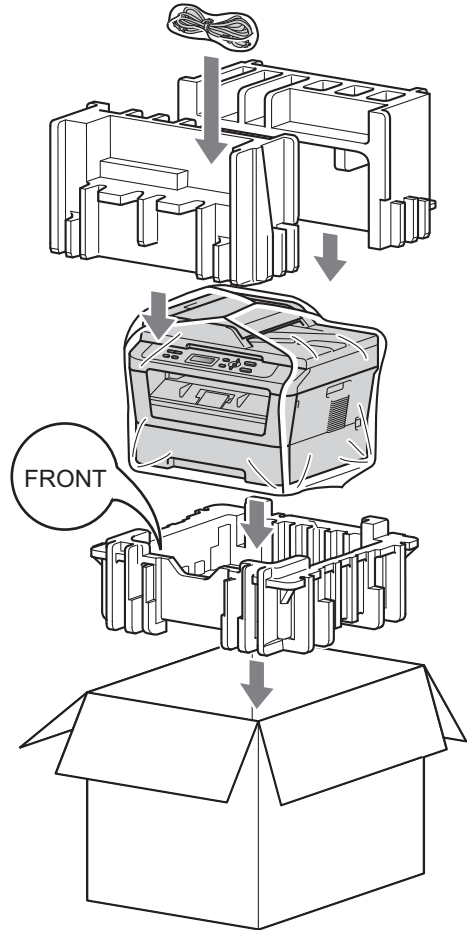


- 5 Put the drum unit and toner cartridge assembly back into the machine.
- 6 Put the elastic band over the handle of the drum unit, as shown in the illustration.



- 7 Close the front cover.
- 8 Put the machine into the bag it originally came in.

- 9 Pack the AC cord and printed materials in the original carton as shown below:



- 10 Close the carton and tape it shut.

B

Glossary

This is a comprehensive list of features and terms that appear in Brother manuals. Availability of these features depends on the model you purchased.

ADF (automatic document feeder (For DCP-7065DN))

The document can be placed in the ADF and scanned one page at a time automatically.

Cancel Job

Cancels a programmed print job and clears the machine's memory.

Contrast

Setting to compensate for dark or light documents, by making copies of dark documents lighter and light documents darker.

Greyscale

The shades of grey available for copying photographs.

LCD (liquid crystal display)

The display screen on the machine that shows interactive messages during On-Screen Programming and shows the date and time when the machine is idle.

Menu mode

Programming mode for changing your machine's settings.

OCR (optical character recognition)

ScanSoft™ PaperPort™ 12SE with OCR or Presto! PageManager software application converts an image of text to text you can edit.

Resolution

The number of vertical and horizontal lines per inch.

Scanning

The process of sending an electronic image of a paper document into your computer.

Temporary settings

You can choose certain options for each copy without changing the default settings.

User Settings Report

A printed report that shows the current settings of the machine.

C

Index

C

Copy	
2 in 1 ID Copy	12
brightness	10
Contrast	10
Enlarge/Reduce	9
keys	6
N in 1 (page layout)	11
Options key	7
quality	9
sort (ADF only)	9
temporary settings	6
using ADF	9
using scanner glass	11

D

Deep Sleep mode	2
Drum unit	
checking (remaining life)	16
Duplex copy	13

E

Enlarge/Reduce	9
----------------------	---

L

LCD (liquid crystal display)	
Contrast	3

M

Machine information	
checking remaining life of parts	16
page counts	15
Maintenance, routine	15
checking the remaining life of parts	16
Memory	
storage	1

N

N in 1 (page layout)	11
----------------------------	----

P

Packing the machine	16
Page layout (N in 1)	11
Power failure	1

Q

Quality	
copying	7, 9

R

Reducing	
copies	9

S

Safety Instructions	i
Sleep mode	1
Sort	9

T

Temporary copy settings	6
Toner Save	1
Toner Setting (Continue Mode)	2

brother[®]

These machines are approved for use in the country of purchase only. Local Brother companies or their dealers will only support machines purchased in their own countries.

Free Manuals Download Website

<http://myh66.com>

<http://usermanuals.us>

<http://www.somanuals.com>

<http://www.4manuals.cc>

<http://www.manual-lib.com>

<http://www.404manual.com>

<http://www.luxmanual.com>

<http://aubethermostatmanual.com>

Golf course search by state

<http://golfingnear.com>

Email search by domain

<http://emailbydomain.com>

Auto manuals search

<http://auto.somanuals.com>

TV manuals search

<http://tv.somanuals.com>