

brother[®]

**COPYBOARD
SERVICE MANUAL**

MODEL: CP1800/CP2000/CB200

© Copyright Brother 2000

All rights reserved.

No part of this publication may be reproduced in any form or by any means without permission in writing from the publisher.

Specifications are subject to change without notice.

All products and company names mentioned in this manual are trademarks or registered trademarks of their respective holders.

PREFACE

This publication is a Service Manual covering the specifications, construction, theory of operation, and maintenance of the Brother copyboard. It includes information required for field troubleshooting and repair--disassembly, reassembly, and lubrication--so that service personnel will be able to understand machine function, to rapidly repair the machine and order any necessary spare parts.

To perform appropriate maintenance so that the machine is always in best condition for the customer, the service personnel must adequately understand and apply this manual.

This manual is made up of five chapters and appendix.

CHAPTER I.	GENERAL DESCRIPTION
CHAPTER II.	THEORY OF OPERATION
CHAPTER III.	DISASSEMBLY/REASSEMBLY AND LUBRICATION
CHAPTER IV.	MAINTENANCE MODE
CHAPTER V.	ERROR INDICATION AND TROUBLESHOOTING
Appendix.	Circuit Diagrams

This manual describes the models and their versions to be destined for major countries. The specifications and functions are subject to change depending upon each destination.

CHAPTER I.

GENERAL DESCRIPTION

CHAPTER I. GENERAL DESCRIPTION

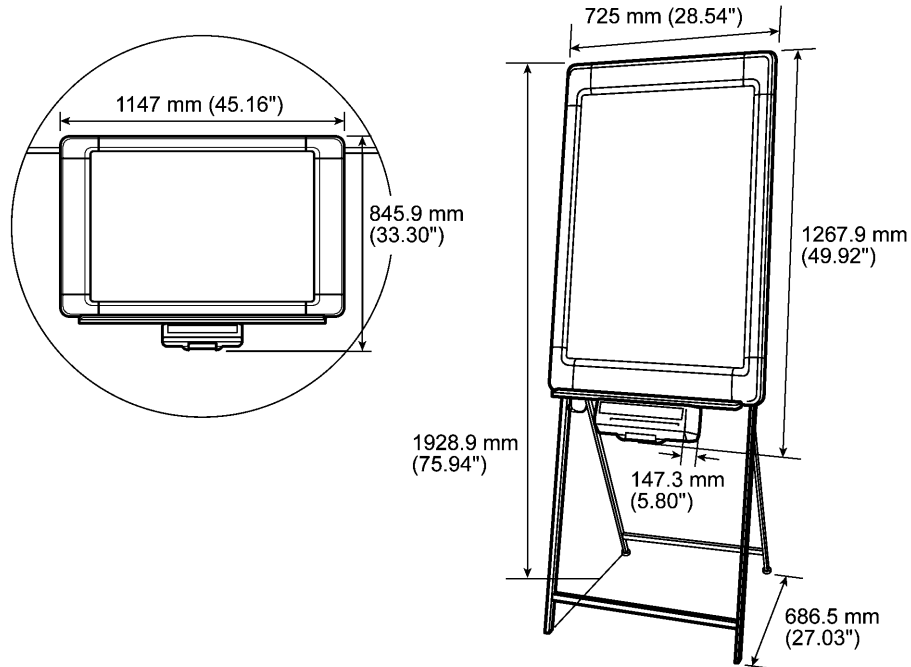
CONTENTS

1.1	MACHINE OUTLINE.....	I-1
1.1.1	External Appearance and Weight.....	I-1
1.1.2	Components	I-1
1.2	SPECIFICATIONS.....	I-2

1.1 MACHINE OUTLINE

1.1.1 External Appearance and Weight

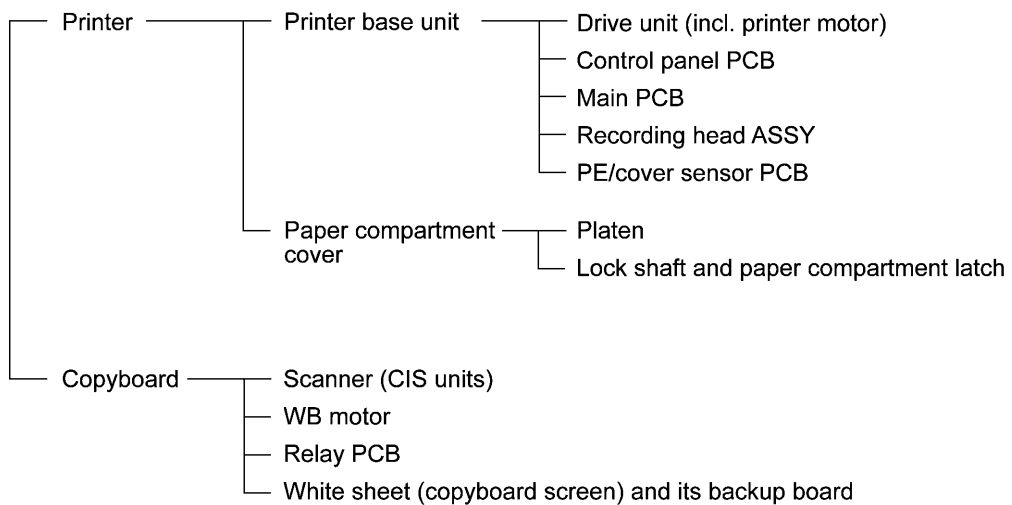
The figure below shows the machine appearance and approximate dimensions.



	CP2000/CB200	CP1800
Weight: Machine proper	14.5 kg (32.0 lbs.)	11.8 kg (26.0 lbs.)
In package	23.0 kg (50.7 lbs.)	19.5 kg (43.0 lbs.)

1.1.2 Components

The machine consists of the following major components:



1.2 SPECIFICATIONS

Model		CP2000	CB200	CP1800		
MACHINE SPECIFICATIONS						
INPUT	Screen Size (H) x (W)	35.43 x 23.62 inches 900 x 600 mm	Same as left.	Same as left.		
	Effective Scanning Area (H) x (W)	34.57 x 23.39 inches 878 x 594 mm				
	Ratio of Scanning Area	96.60%				
	Scanning Method	CIS				
	Number of Screens	2 (Endless)				
	Number of Screens for Copy	2				
	Writing	Dry-erase markers				
OUTPUT	Printing Method	Thermal	Same as left.	Same as left.		
	Copy Size	Letter			Letter/A4	Letter
	Copy Speed	Monochrome: 18 sec R&B: N/A				
	Continuous Copy	1 sheet				
	Paper	Therma PLUS, 30 m				
	Anti-Curl System (ACS)	Yes				
	Print Density	8 dots/mm				
USE	Easel Stand	Portrait	Same as left.	Same as left.		
	Wall Mount	Portrait/landscape				
	Partition Hanger	Portrait/landscape				
POWER	Power Source	AC adapter supplied, 100 to 240 VAC, 50/60 Hz	Same as left.	Same as left.		
	Power Consumption	Standby Operating			5W 30W	
SIZE	Size (H x W x D) In package	inch mm	Same as left.	Same as left.		
	Use with easel stand	inch mm			54.5 x 33.6 x 11.0 1383 x 852 x 280	49.9 x 38.3 x 10.0 1267 x 973 x 255
	Use without easel stand (Portrait)	inch mm			75.9 x 28.5 x 27.0 1929 x 725 x 687	N/A
	Use without easel stand (Landscape)	inch mm			49.9 x 28.5 x 5.8 1268 x 725 x 147	N/A
	Use without easel stand (Landscape)	inch mm			33.3 x 45.2 x 5.8 846 x 1147 x 147	Same as left.
Weight	Net	14.5 kg (32.0 lbs)	Same as left.	Same as left.		
	Gross	23 kg (50.7 lbs)				
PC I/F		Yes	Yes for Canada	Option		

CHAPTER II.

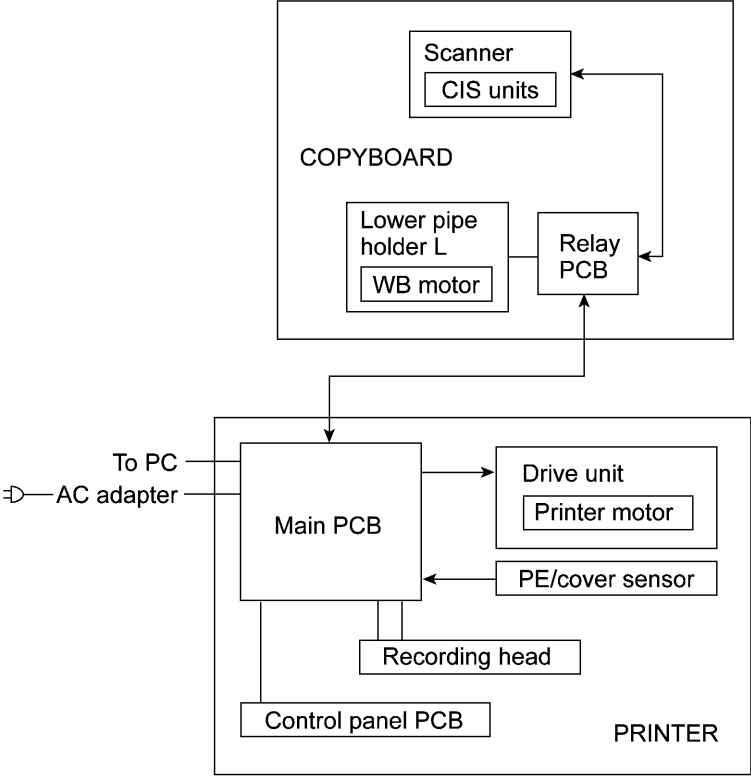
THEORY OF OPERATION

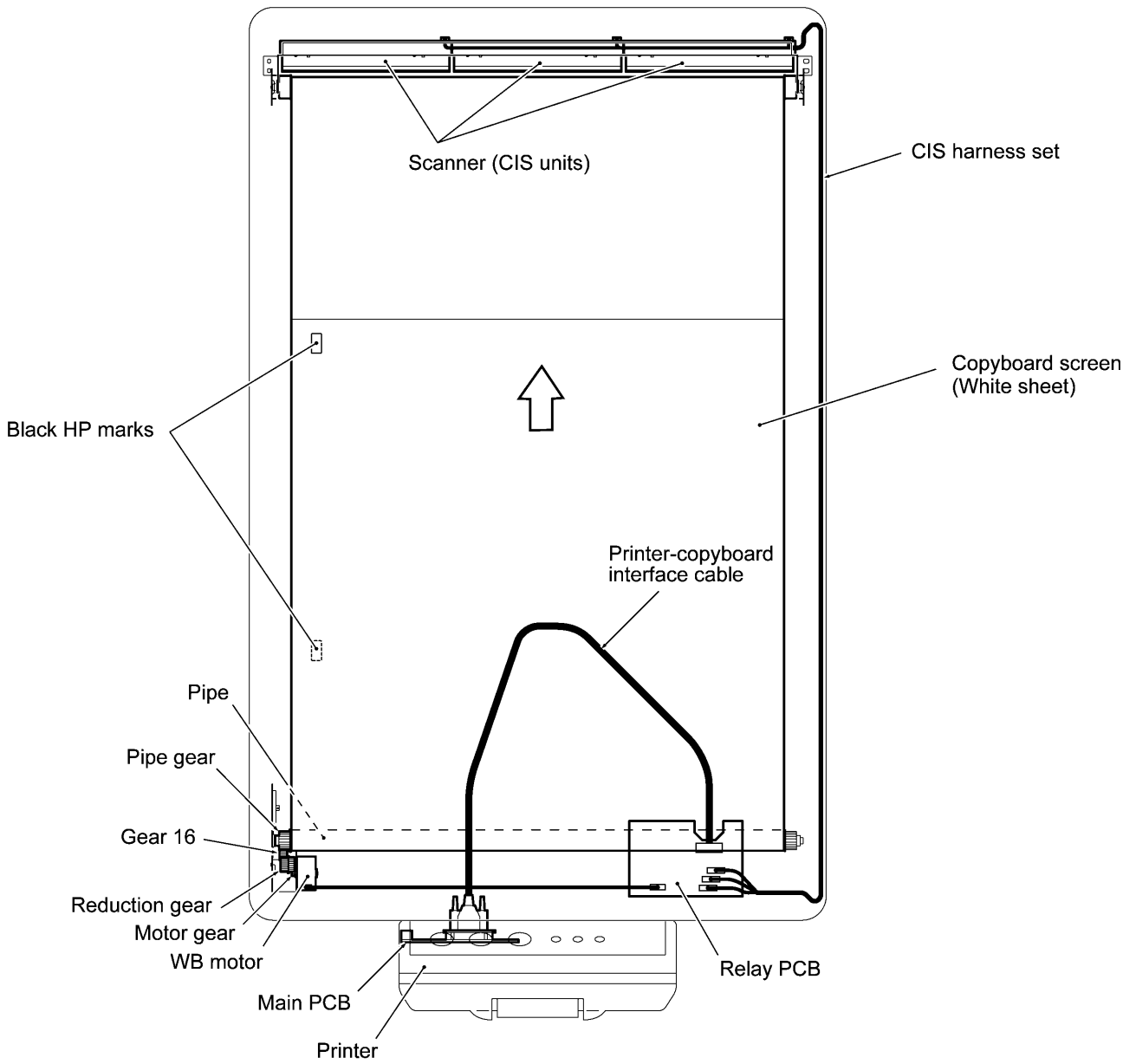
CHAPTER II. THEORY OF OPERATION

CONTENTS

2.1	OVERVIEW.....	II-1
2.2	MECHANISMS.....	II-2
	2.2.1 Scanner mechanism.....	II-2
	2.2.2 Thermal printing mechanism	II-4
	2.2.3 Sensors.....	II-5
2.3	CONTROL ELECTRONICS.....	II-6

2.1 OVERVIEW





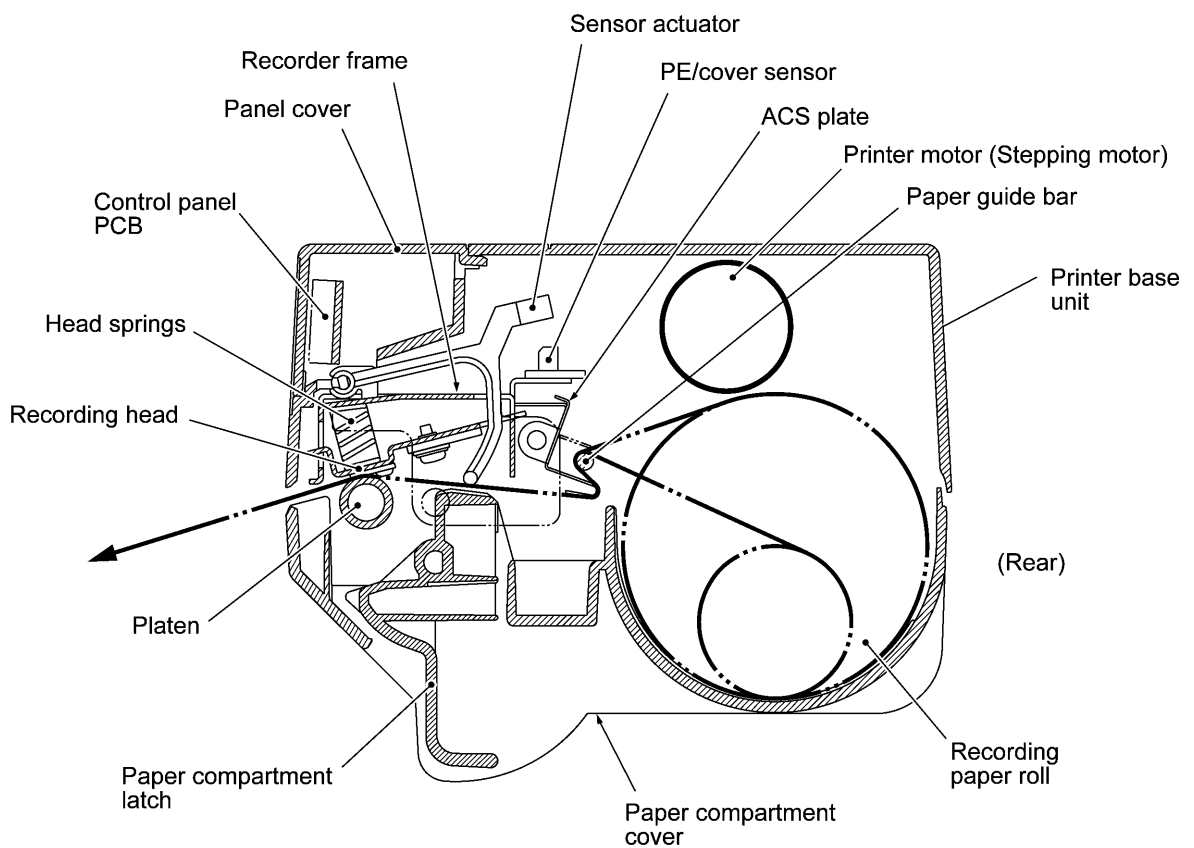
2.2.2 Thermal printing mechanism

The thermal printing mechanism in the printer consists of the thermal recording head, platen, anti-curl system (ACS) plate, and paper compartment cover.

The heat-sensitive recording paper is routed between the paper guide bar and ACS plate to the recording head which prints onto the paper pressed by the platen according to image signals issued from the main PCB.

The ACS eliminates curl peculiar to rolled paper by curving the paper towards the opposite side of the curl with the ACS plate.

If the printer motor (stepping motor) is driven, its rotational force is transmitted via the gear train in the drive unit to the platen gear. The platen rotates to feed paper.



2.2.3 Sensors

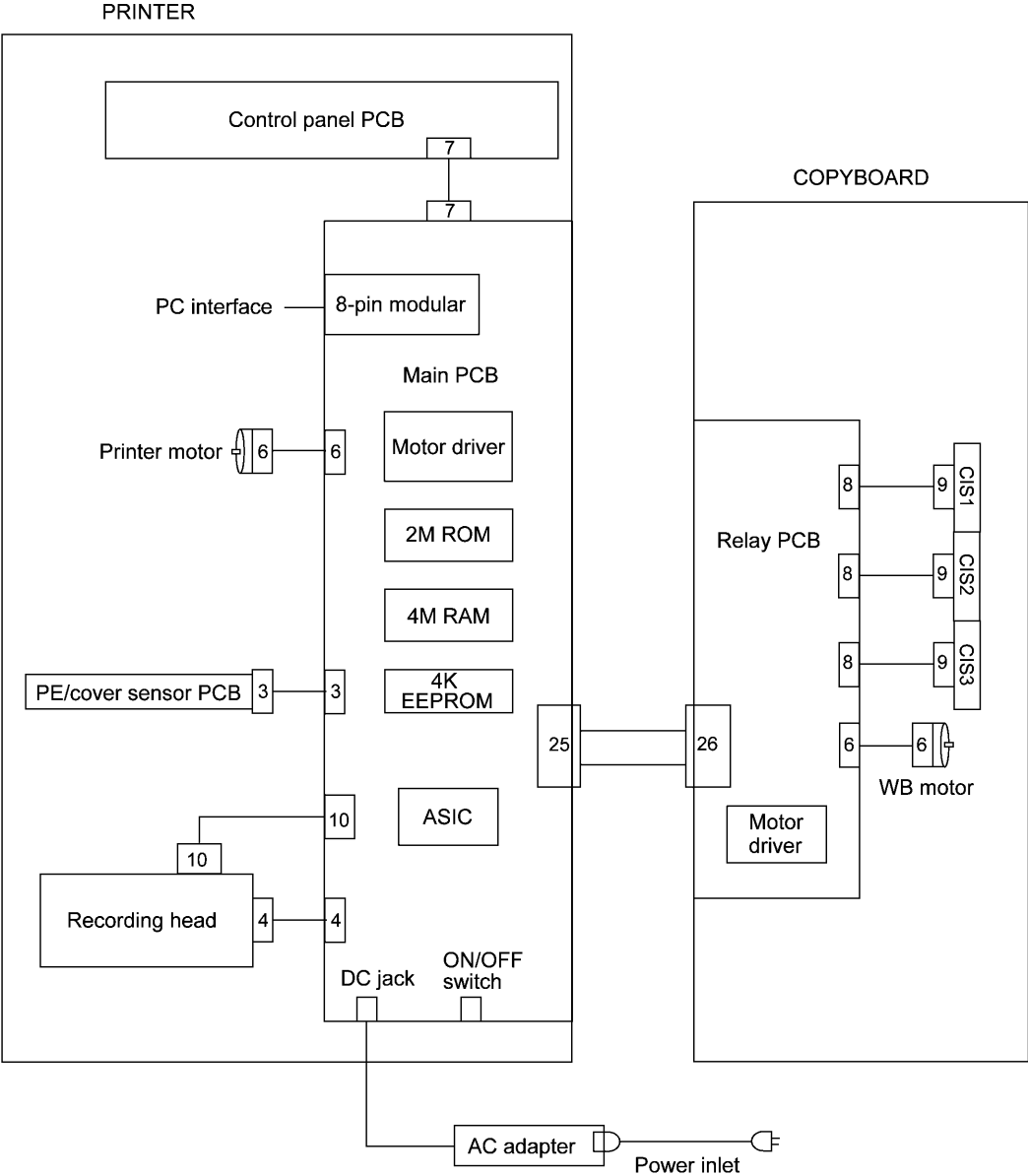
This machine has three sensors--PE/cover sensor (photosensor), thermistor in the thermal recording head, and left-hand CIS unit acting as a home position detector of the copyboard screen.

The PE/cover sensor is located on the PE/cover sensor PCB secured to the recorder frame. It detects whether the recording paper is present or the paper compartment cover is closed.

The thermistor in the recording head allows the controller to monitor the temperature of the head. According to the change of the thermistor's internal resistance monitored, the controller manages the duty cycle of the head drive current.

The left-hand CIS works as a home position detector of the copyboard screen also. If it detects either of the two black HP marks pasted on the copyboard screen, it recognizes that the screen is in the home position.

2.3 CONTROL ELECTRONICS



CHAPTER III.
DISASSEMBLY/REASSEMBLY AND
LUBRICATION

CHAPTER III. DISASSEMBLY/REASSEMBLY AND LUBRICATION

CONTENTS

3.1	DISASSEMBLY/REASSEMBLY	III-1
n	<u>Safety Precautions.....</u>	III-1
n	<u>Tightening Torque List</u>	III-2
n	<u>Preparation.....</u>	III-3
n	<u>How to Access the Object Component</u>	III-3
n	<u>Disassembly Order Flow</u>	III-4
3.1.1	Disassembly of Printer.....	III-5
[1]	Separating the paper compartment cover from the printer base unit.....	III-5
[2]	Removing the components from the paper compartment cover.....	III-8
	<u>Removing the paper guide bar and platen</u>	III-8
	<u>Removing the lock shaft and paper compartment latch.....</u>	III-9
	<u>Removing the paper stoppers and platen frames.....</u>	III-10
[3]	Removing the components from the printer base unit.....	III-12
	<u>Removing the printer support</u>	III-12
	<u>Removing the sub cover and control panel PCB.....</u>	III-13
	<u>Removing the main PCB and its bracket</u>	III-14
	<u>Removing the drive unit and hinge plate L.....</u>	III-17
	<u>Removing the head protector, recording head ASSY, recorder frame, and PE/cover sensor PCB</u>	III-19
	<u>Removing the films</u>	III-21
3.1.2	Disassembly of Copyboard	III-22
[1]	Removing the CIS units.....	III-22
	<u>Removing the upper cover, corner covers, CIS protector, and upper support frame</u>	III-22
	<u>Removing the CIS frame and CIS units</u>	III-23
[2]	Removing the relay PCB and printer-copyboard interface cable	III-26
	<u>Removing the lower cover, corner covers, CIS protector, and lower support frame.....</u>	III-26
	<u>Removing the WB motor harness, relay PCB, and printer-copyboard interface cable.....</u>	III-27

[3]	Removing the lower pipe and WB motor	III-29
	<u>Removing the lower corner plates and lower frame</u>	III-29
	<u>Removing the pipe holder stoppers, pipe spacer L, lower pipe and its holders</u>	III-30
	<u>Removing the WB motor</u>	III-33
[4]	Replacing the white sheet (copyboard screen) and the sheet backup board.....	III-35
3.2	LUBRICATION	III-40
[1]	Joints between the platen shaft and its bushings.....	III-40
[2]	WB motor related gears on the lower pipe holder L	III-40
[3]	Lower pipe holder L	III-41
[4]	Lower pipe holder R.....	III-41
[5]	Upper pipe shaft	III-42

3.1 DISASSEMBLY/REASSEMBLY

n Safety Precautions

To prevent the creation of secondary problems by mishandling, observe the following precautions during maintenance work.

- (1) Turn the power off and unplug the AC cord from the power outlet before accessing parts or units inside the machine. When disassembling the printer, unplug the AC adapter from the left side of the printer.
- (2) Be careful not to lose screws, washers, or other parts removed for parts replacement.
- (3) When using soldering irons and other heat-generating tools, take care not to damage the resin parts such as wires, PCBs, and covers.
- (4) Before handling the PCBs, touch a metal portion of the machine to discharge static electricity; otherwise, the electronic parts may be damaged due to the electricity charged in your body.
- (5) When transporting PCBs, be sure to wrap them in conductive sheets such as aluminum foil.
- (6) Be sure to reinsert self-tapping screws correctly, if removed.

When removing self-tapping screws from aluminum frames, aluminum material may stick to the threads of those screws, requiring higher torque for retightening. If it happens, do not tighten them forcedly, but use new screws and observe the specified torque values.

- (7) Tighten screws to the torque values listed on the next page.
- (8) When connecting or disconnecting cable connectors, hold the connector bodies not the cables. If the connector has a lock, always slide the connector lock to unlock it.
- (9) Before reassembly, apply the specified lubricant to the specified points. (Refer to Section 3.2.)
- (10) After repairs, check not only the repaired portion but also that the connectors and other related portions function properly before operation checks.
- (11) After completion of repairs, always press the **FEED** key to scroll the copyboard screen (white sheet) to the home position. This prevents the screen from leaving traces of being curled along the upper and lower pipes within the scanning area.

Make sure that the copyboard screen is in the home position before storing or packing it.

n Tightening Torque List

Location	Screw type	Q'ty	Tightening torque (N•m)
PRINTER			
Platen stopper	Taptite, pan B M4x20	1	0.69 ±0.1
Platen frames R and L	Taptite, bind B M4x12	4	0.98 ±0.2
Printer support	Taptite, cup S M3x6	2	0.69 ±0.1
	Taptite, bind B M4x12	2	0.98 ±0.2
Sub cover	Taptite, bind B M4x12	1	0.98 ±0.2
Panel cover	Taptite, bind B M4x12	2	0.98 ±0.2
Control panel PCB	Taptite, cup B M3x8	2	0.69 ±0.1
Main PCB	Taptite, cup S M3x6	2	0.69 ±0.1
Drive unit	Taptite, bind B M4x12	2	0.98 ±0.2
Printer motor cover	Taptite, cup S M3x6	1	0.69 ±0.1
Printer motor	Screw, pan (s/p washer) M3x6DB	1	0.69 ±0.1
Hinge plate L	Taptite, bind B M4x12	2	0.98 ±0.2
Recorder frame	Taptite, bind B M4x12	2	0.98 ±0.2
PE/cover sensor PCB	Taptite, cup S M3x6	1	0.69 ±0.1
COPYBOARD			
Upper cover	Shoulder screw	3	0.78 ±0.1
Corner covers (upper)	Screw, flat S M3x10	4	0.78 ±0.1
CIS protector (upper)	Taptite, cup S M3x10	2	0.78 ±0.1
Upper support frame	Taptite, cup S M3x10	2	0.78 ±0.1
CIS frame	Taptite, cup S M3x10	4	0.78 ±0.1
CIS units	Taptite, bind B M3x8	6	0.39 ±0.1
Lower cover	Shoulder screw	3	0.78 ±0.1
Corner covers (lower)	Screw, flat S M3x10	4	0.78 ±0.1
CIS protector (lower)	Taptite, cup S M3x10	2	0.78 ±0.1
Lower support frame	Taptite, cup S M3x10	2	0.78 ±0.1
PCB support	Taptite, cup S M3x10	2	0.78 ±0.1
Relay PCB	Taptite, cup S M3x6	2	0.78 ±0.1
Printer-copyboard interface cable	Taptite, cup S M3x10	2	0.78 ±0.1
Lower corner plates R and L	Taptite, cup S M3x10	4	0.78 ±0.1
Lower frame	Taptite, washer S M3x10	1	0.78 ±0.1
	Taptite, bind B 3x8	2	0.69 ±0.1
Pipe holder stoppers	Taptite, cup S M3x8	2	0.78 ±0.1
WB motor	Screw, pan (s/p washer) M3x6DB	2	0.78 ±0.1
Side covers R and L	Taptite, cup S M3x10	6	0.78 ±0.1

n Preparation

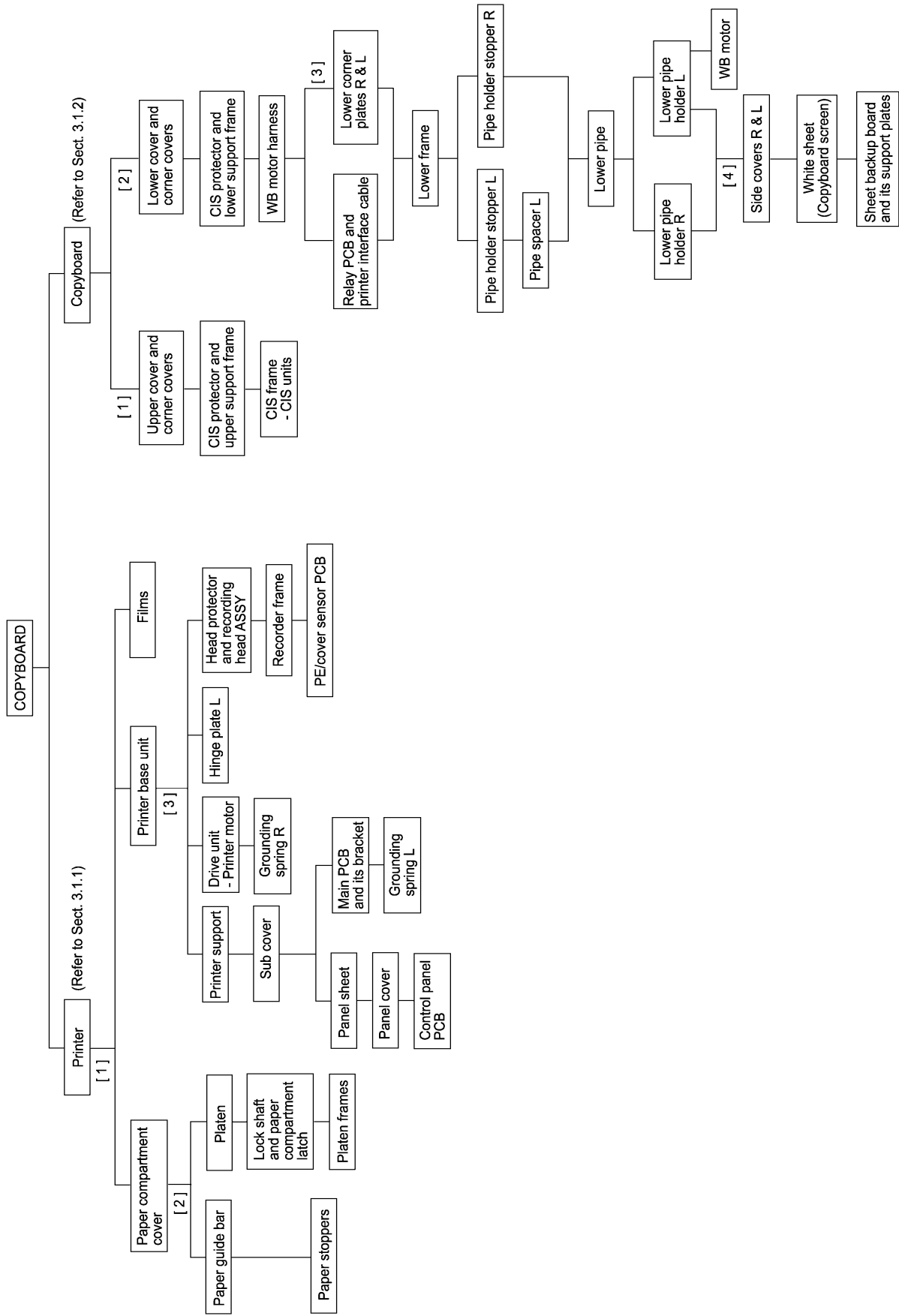
Prior to proceeding to the disassembly procedure,

- (1) Unplug
 - the AC cord and AC adapter and
 - the optional PC interface cable if connected. (Not shown below.)
- (2) Remove the tray and recording paper.
- (3) CP2000/CB200: Take down the assembly of the copyboard and printer from the easel stand.
- (4) Disconnect the printer-copyboard interface cable from the printer and then remove the four decorative screws to separate the printer from the copyboard.

n How to Access the Object Component

- On the next page is a disassembly order flow which helps you access the object components. To remove the main PCB, for example, first find it on the flow. You need to remove the printer, printer base unit, printer support, and sub cover so as to access the main PCB.
- Unless otherwise specified, the disassembled parts or components should be reassembled in the reverse order of removal.

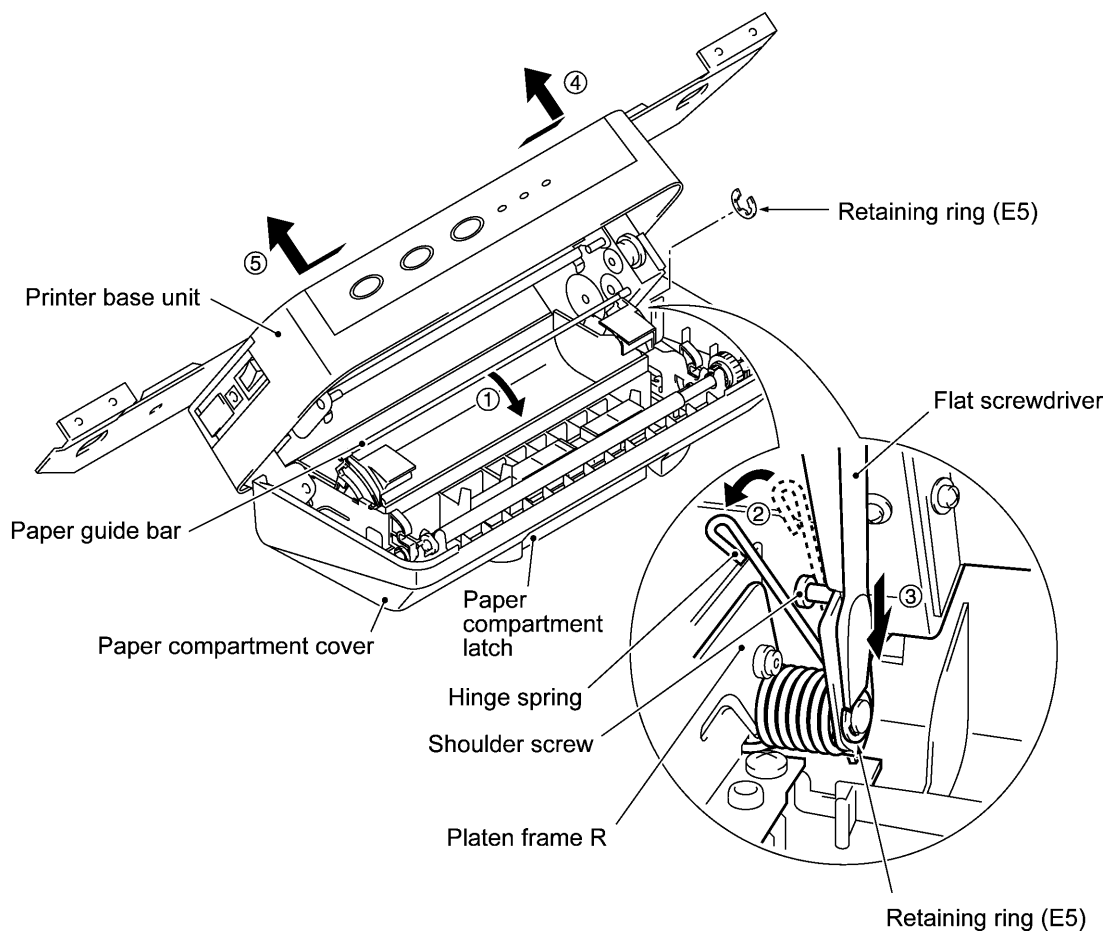
n Disassembly Order Flow



3.1.1 Disassembly of Printer

[1] Separating the paper compartment cover from the printer base unit

- (1) Open the paper compartment cover by pulling up its latch.
- (2) Pull the paper guide bar in the direction of arrow • and unhook the hinge spring from the shoulder screw (arrow ,).
- (3) Remove the retaining ring (E5) (arrow *f*) from the shaft of the platen frame R.
- (4) Shift the printer base unit in the direction of arrows „ and ... to release it from the shafts of the platen frame R and L, respectively.

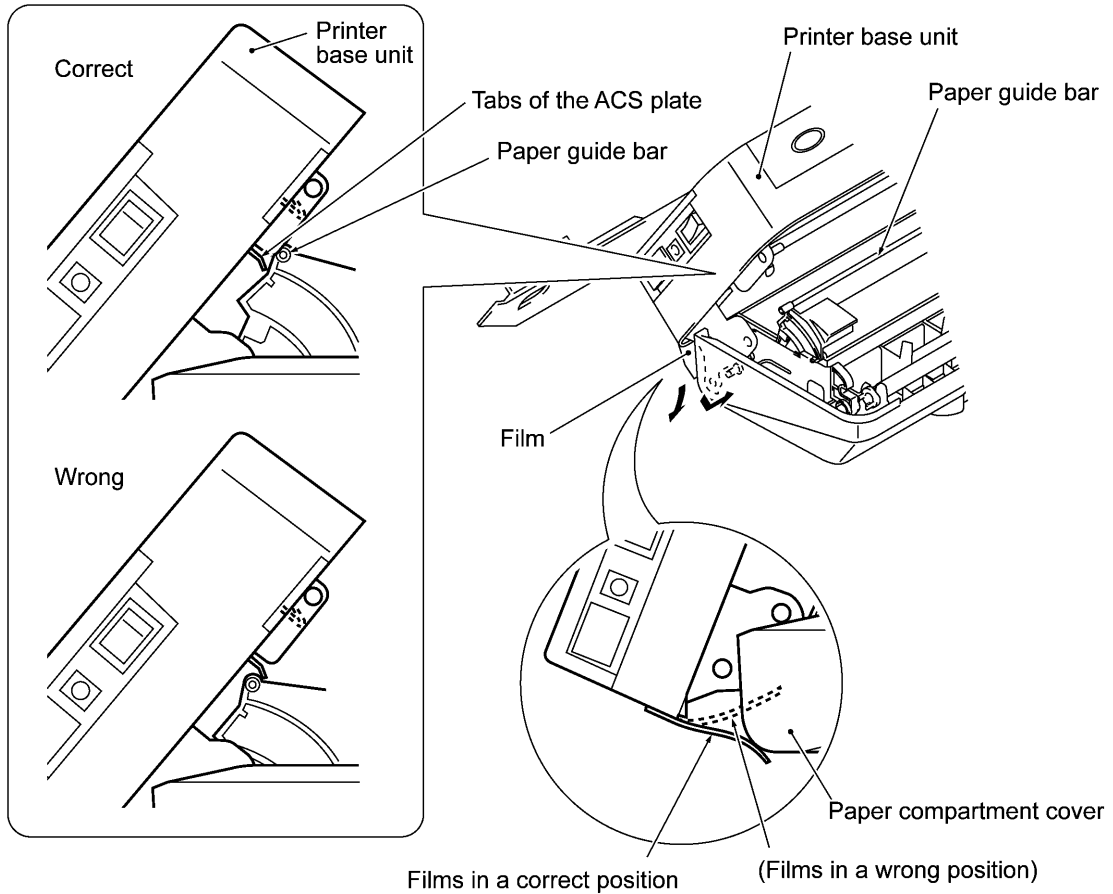


n Reassembling notes

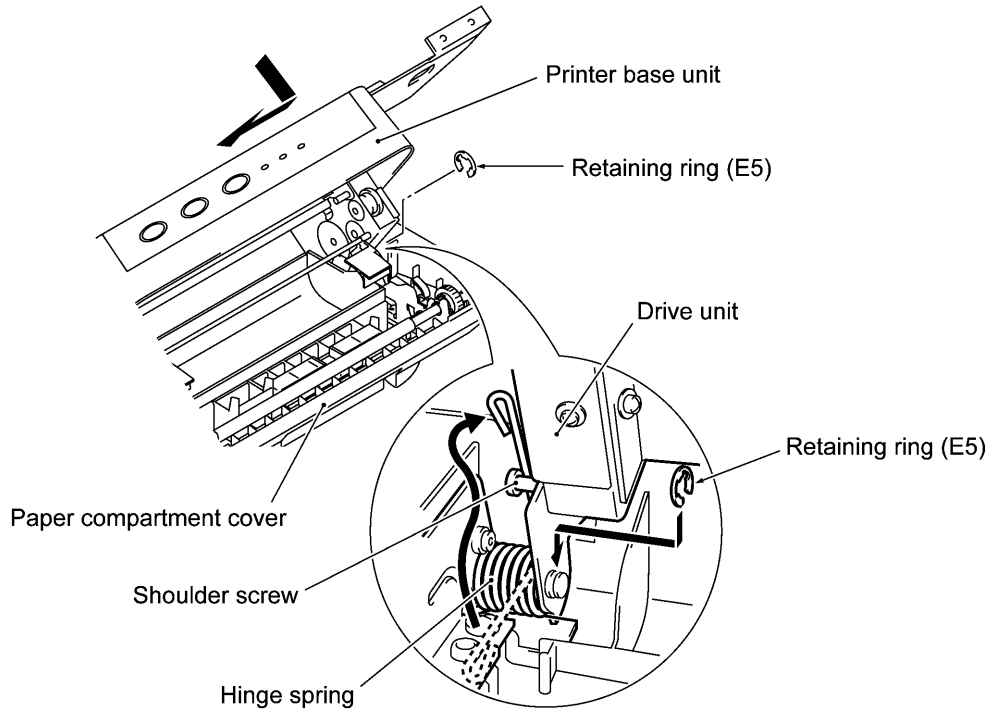
When reinstalling the printer base unit to the paper compartment cover:

- 1) Hold the printer base unit at a right angle from the paper compartment cover and fit it over the shafts of the platen frames L and R.

When doing this, take care not to bring the paper guide bar inside the tabs of the ACS plate or not to bring the films inside the paper compartment cover.



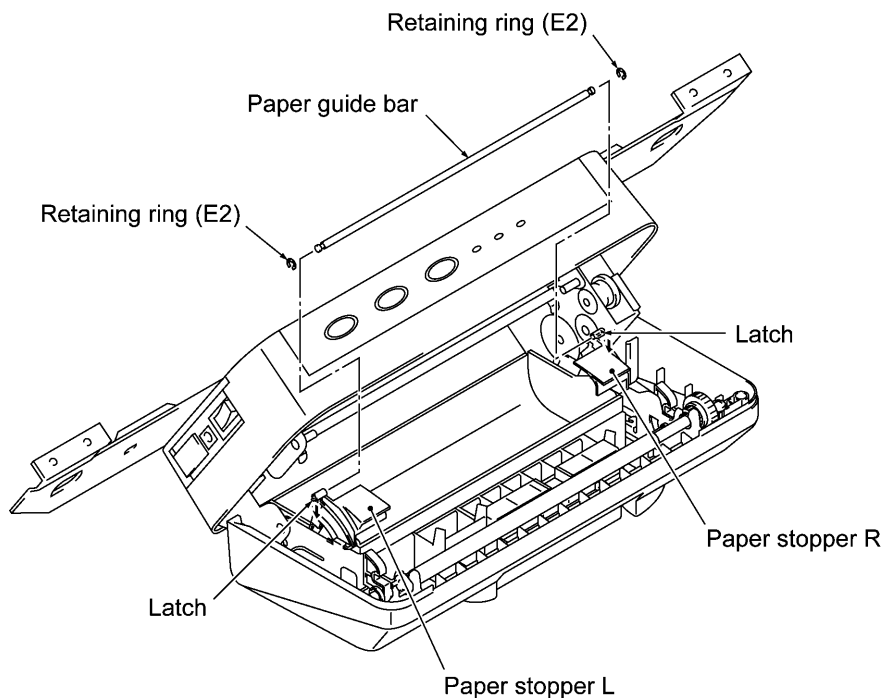
- 2) Set the retaining ring (E5) onto the shaft of the platen frame R.
- 3) Hook the hinge spring onto the shoulder screw.



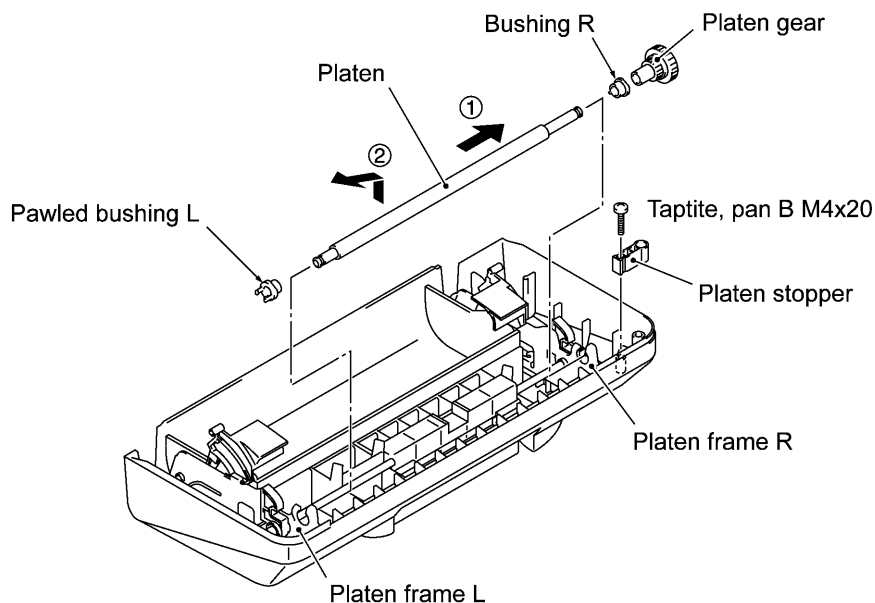
[2] Removing the components from the paper compartment cover

Removing the paper guide bar and platen

- (1) If the printer base unit has not been removed, open the paper compartment cover by pulling up its latch.
- (2) Remove the retaining ring (E2) from each end of the paper guide bar, then remove the paper guide bar from the paper stoppers R and L.

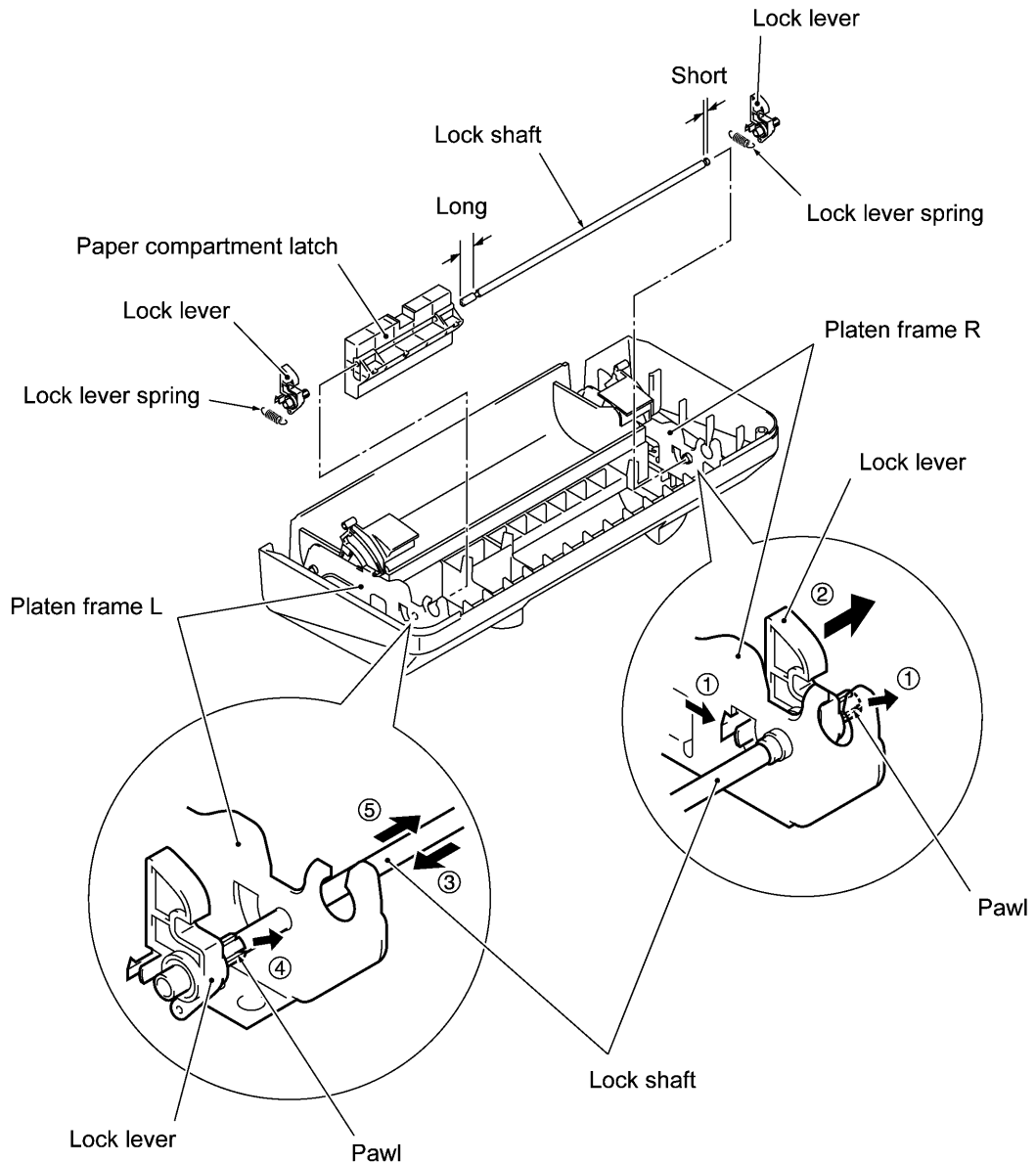


- (3) Remove the platen stopper (one pan B taptite screw, M4x20).
- (4) At the right end of the platen shaft, remove the platen gear by pulling its pawl outwards and then remove the bushing R. At the left end, remove the pawled bushing L by pulling its pawls outwards.
- (5) Move the platen to the right (arrow •) to take out the left end from the platen frame L and then take it out to the left (arrow ,).



Removing the lock shaft and paper compartment latch

- (6) At the right end of the lock shaft, remove the lock lever by unlatching the pawls in the direction of arrows • and pulling the lock lever outwards (arrow ,) and then unhook the lock lever spring from the platen frame R.
- (7) Move the lock lever to the left (arrow *f*). At the left end of the lock shaft, remove the lock lever by unlatching the pawl (arrow „) and then unhook the lock lever spring from the platen frame L. Take out the lock shaft (arrow ...).

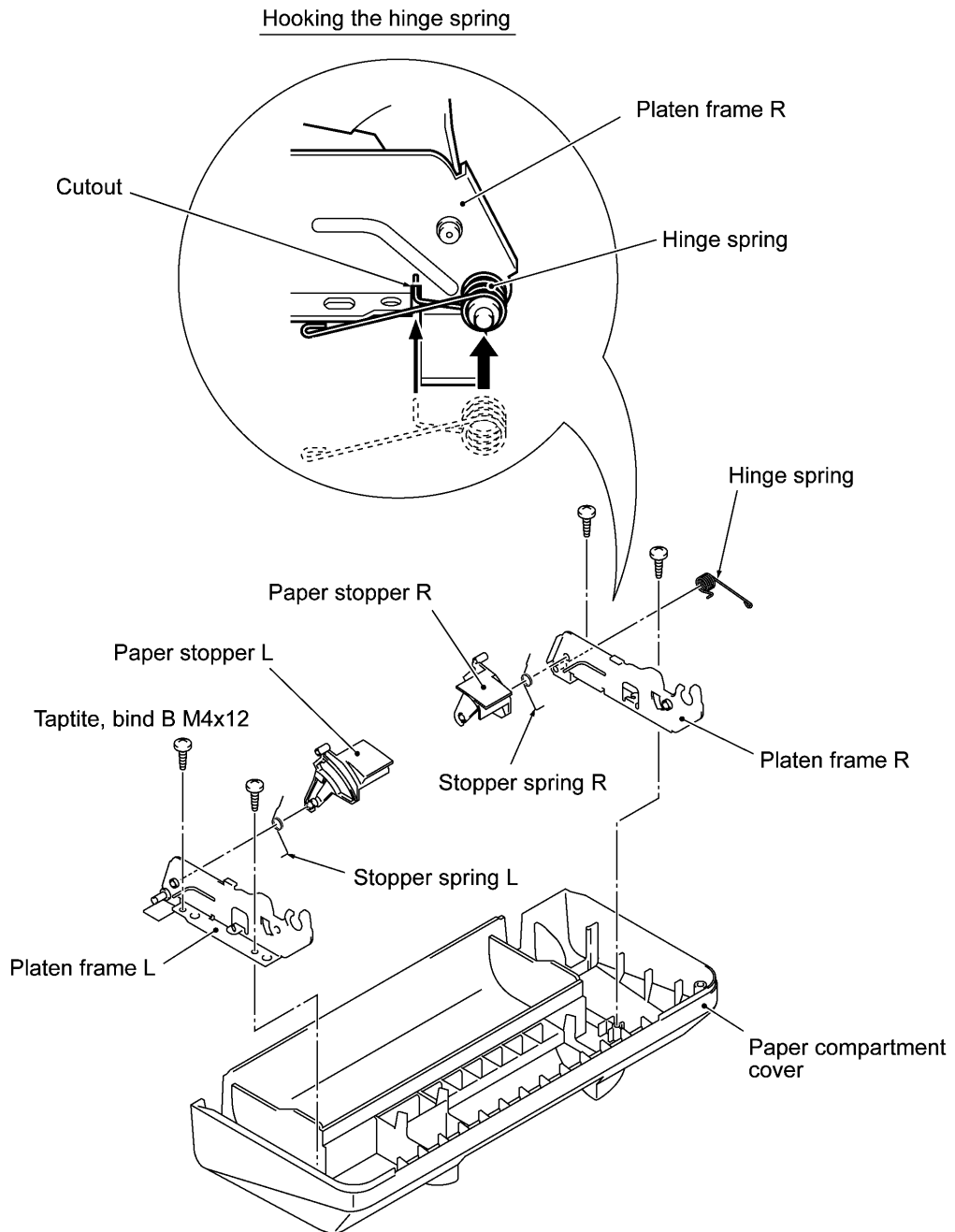


n Reassembling notes

- When inserting the lock shaft through the paper compartment latch, face its short end to the right as shown above.

Removing the paper stoppers and platen frames

- (8) Remove two screws from the platen frame R and take out the platen frame R together with the hinge spring, paper stopper R and its spring.
- (9) Remove two screws from the platen frame L and take out the platen frame L together with the paper stopper L and its spring.

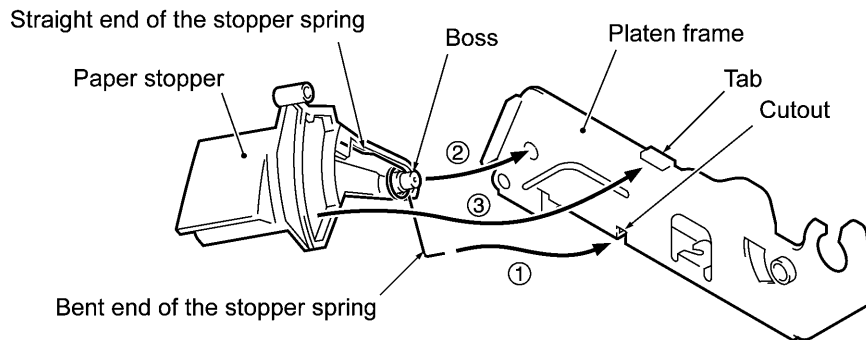


n **Reassembling notes**

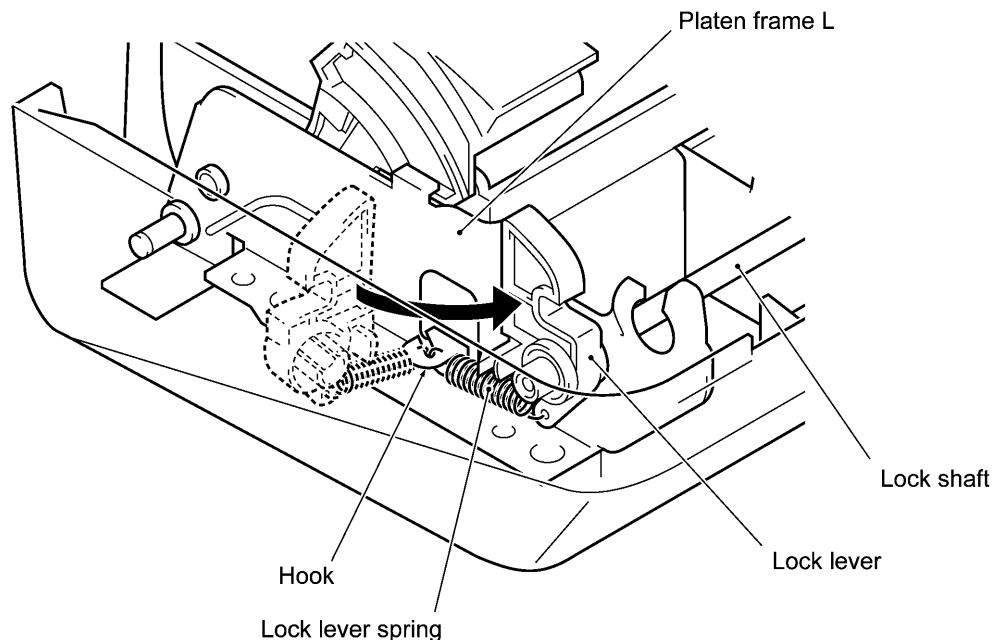
- Before reinstalling the platen frames to the paper compartment cover, assemble the platen frame R (or L), paper stopper, and stopper spring together as follows:

As illustrated below, first fit the stopper spring over the boss of the paper stopper. Insert the bent end of the stopper spring into the cutout of the platen frame (arrow *a*), fit the boss of the paper stopper into the hole of the platen frame (arrow *b*), and then fit the paper stopper to the tab of the platen frame (arrow *c*).

For the platen frame R, set the hinge spring on it as shown on the previous page.



- When reinstalling the lock levers, first work at the platen frame L. As shown below with dotted lines, hold the lock lever and then hook the lock lever spring onto the platen frame L. Next, work the same way at the platen frame R and then snap the lock lever into the platen frame R.



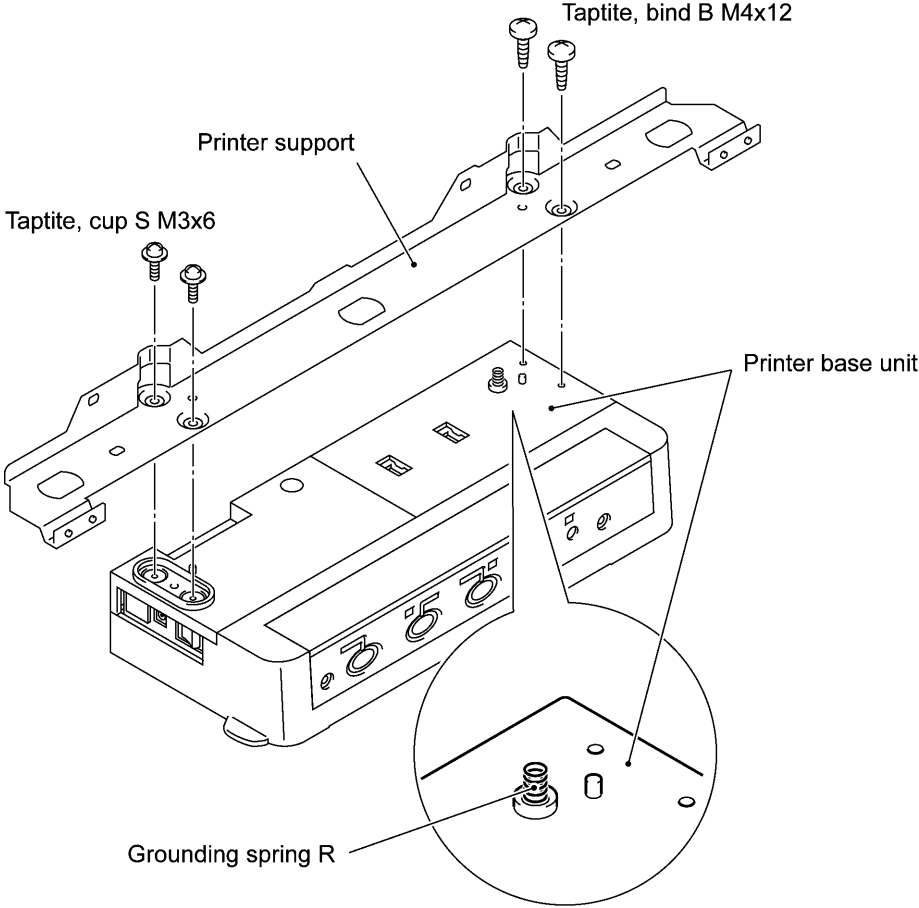
- When fitting the pawled bushing L and bushing R onto the platen shaft, align each guide boss with the cutout provided in each of the bushings.

[3] Removing the components from the printer base unit

Removing the printer support

- (1) Take off the printer support from the printer base unit by removing the four screws.

NOTE: After removing the printer support, take care not to bend the grounding spring R.



Removing the sub cover and control panel PCB

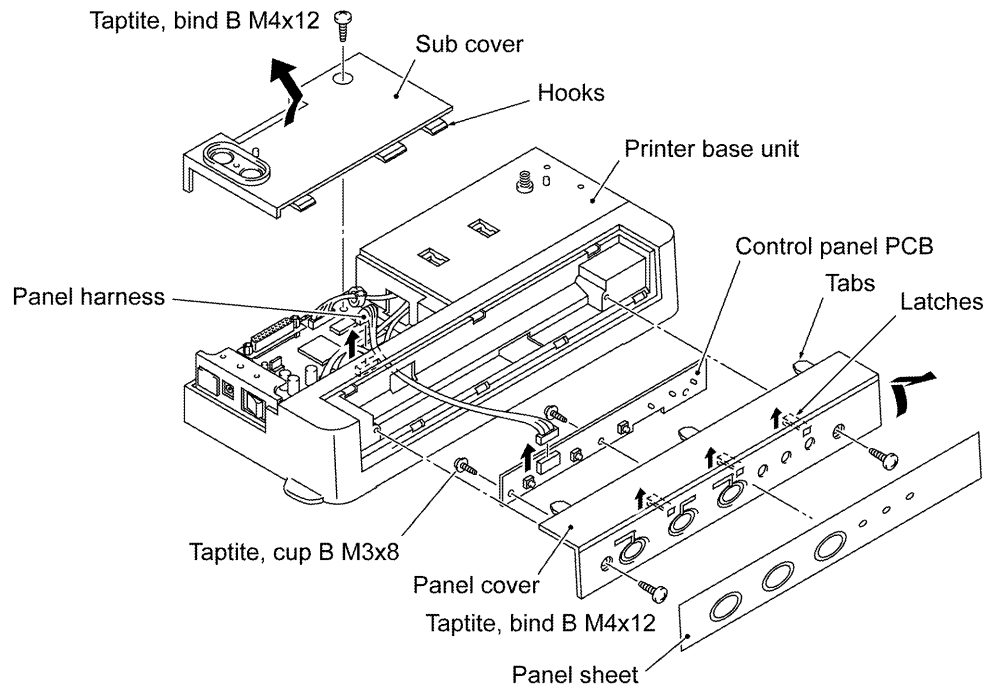
- (2) Take off the sub cover by removing the screw.
- (3) Disconnect the panel harness from the main PCB.

Only when you need to replace the panel cover or control panel PCB, perform steps (4) through (6).

- (4) Peel off the panel sheet.

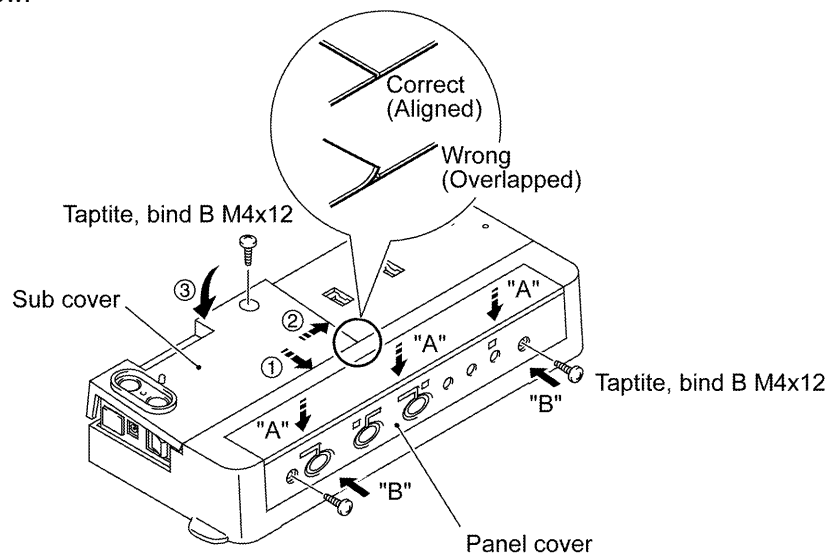
NOTE: Once removed, the panel sheet will become unusable and a new one will have to be put back in.

- (5) Remove two screws from the panel cover. Push up the front face of the panel cover to release its latches and pull it towards you.
- (6) Remove the two screws from the control panel PCB.



Reassembling notes

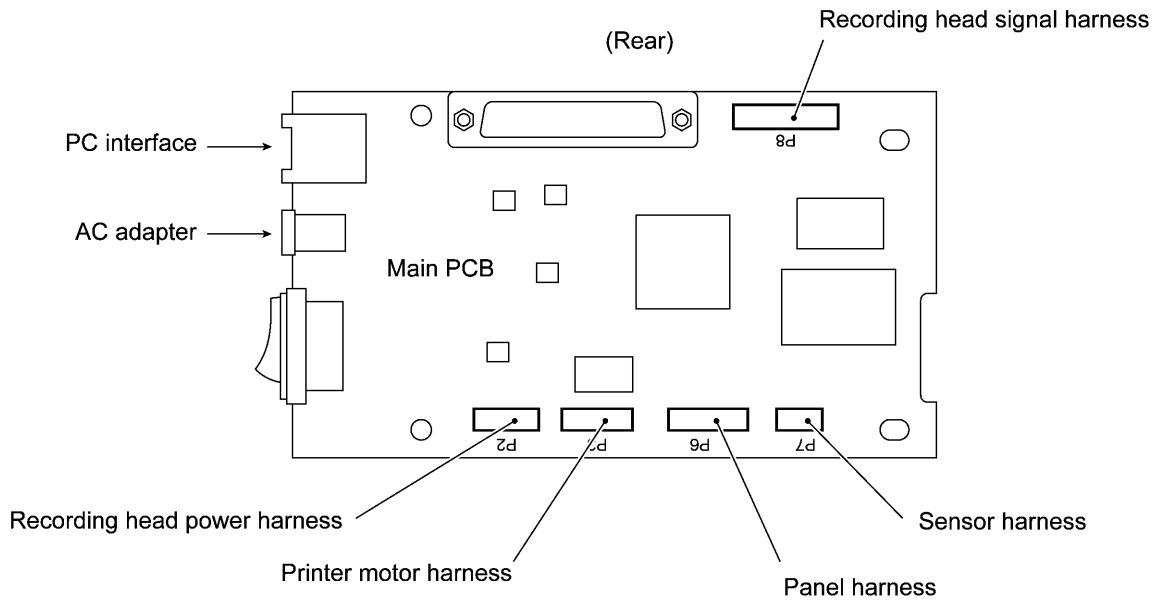
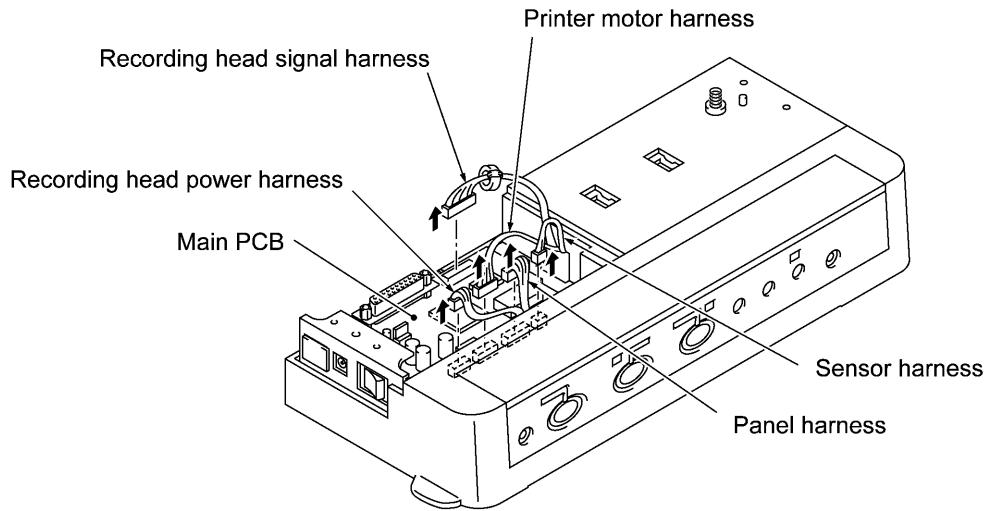
- When securing the panel cover with screws, press it in the direction of arrows "A" and "B" as shown below.
- When securing the sub cover with a screw, press it in the direction of arrows • through *f* as shown below.



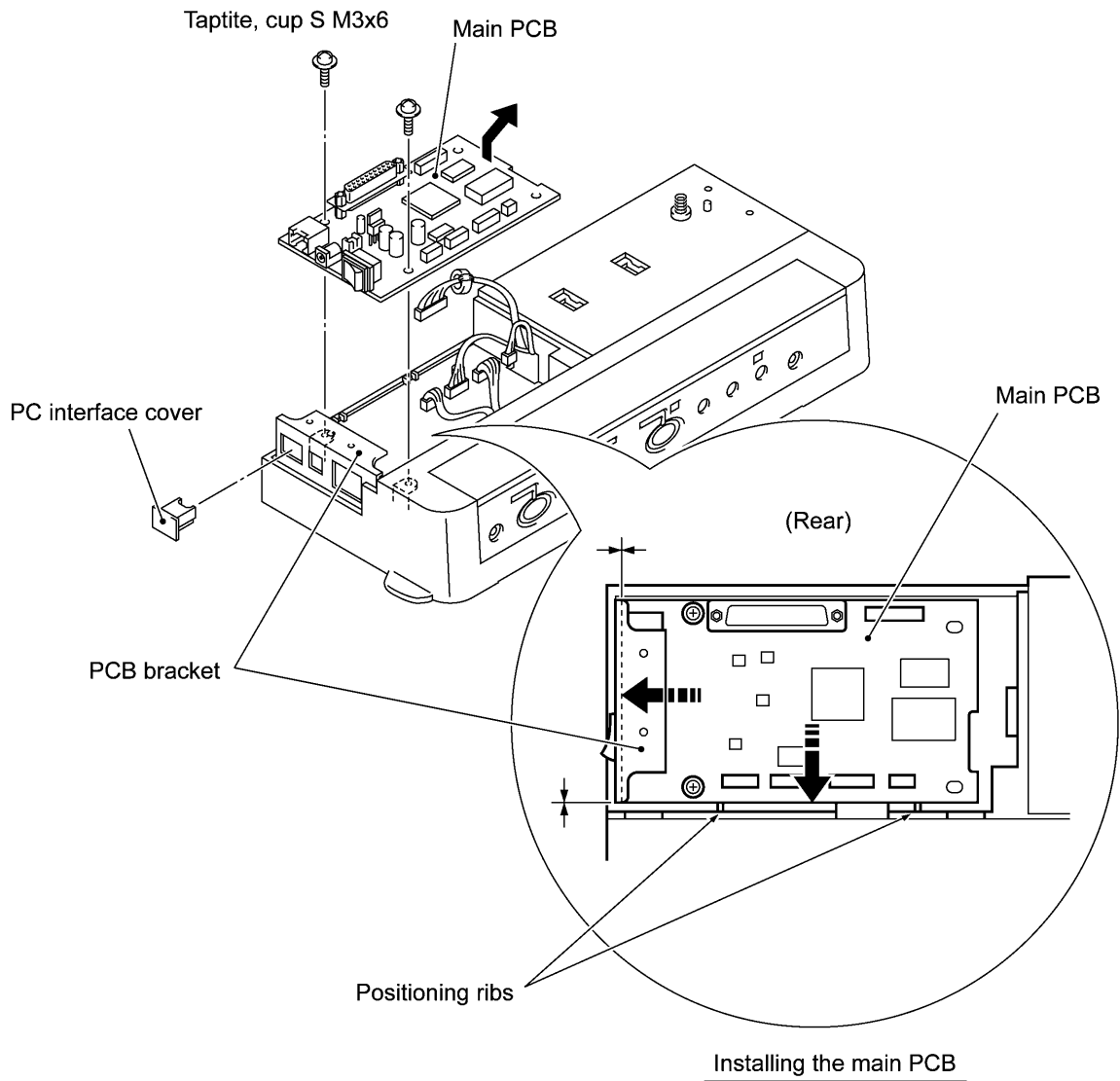
Removing the main PCB and its bracket

(7) Disconnect the following harnesses from the main PCB while holding down the main PCB:

- Recording head signal harness
- Sensor harness
- Panel harness (if connected)
- Printer motor harness
- Recording head power harness



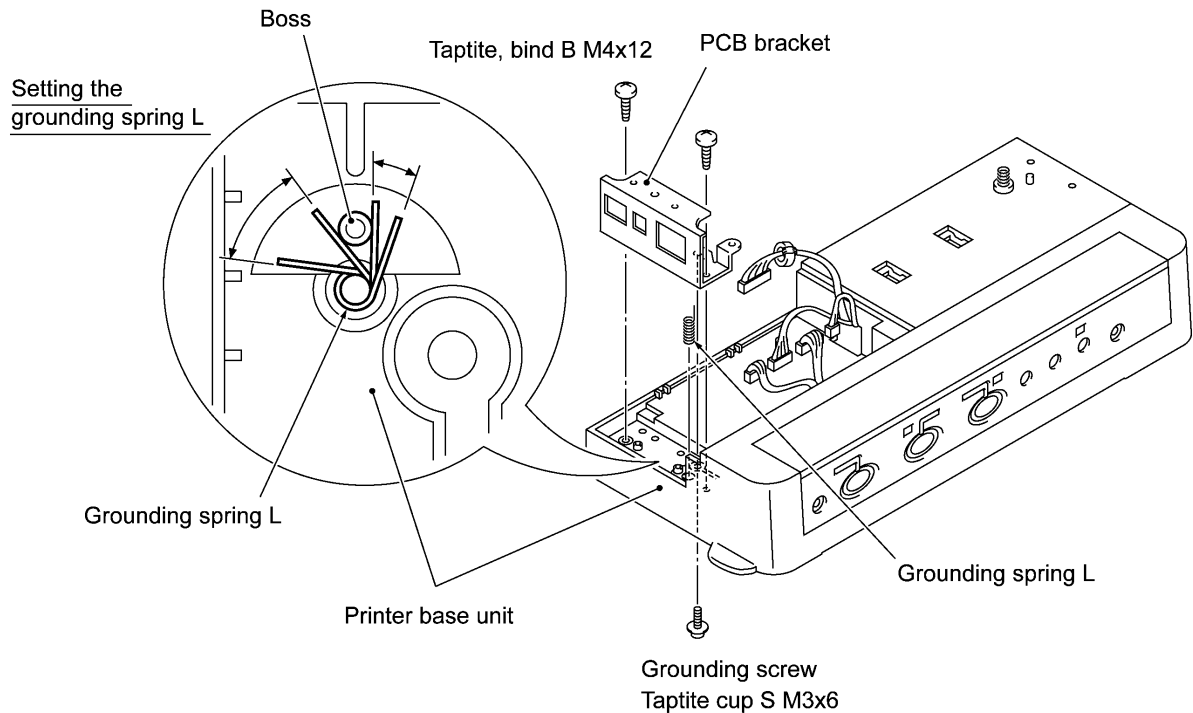
- (8) Remove the PC interface cover if mounted.
- (9) Remove two screws and take out the main PCB.



(10) Remove the grounding screw from the underside of the printer base unit.

(11) Remove two screws from the PCB bracket and take it out.

NOTE: When removing the PCB bracket, take care not to drop the grounding spring L.



n Reassembling notes

- When setting the grounding spring L back into place, position the end of the spring within the semicircle as shown above.
- When securing the main PCB with screws, align its left and front edges with the PCB bracket and the positioning ribs as illustrated on the previous page.
- If the main PCB is replaced with a new one (not with a used board), powering on the machine at the first time from the replacement will make the **ERROR** and **PAPER** LEDs flash at 0.5-second intervals, indicating that the machine has automatically entered the in-process inspection mode.

To exit from this mode, press the **COPY, FEED, COPY ALL, FEED, COPY ALL,** and **COPY** keys in this order quickly. The **ERROR** and **PAPER** LEDs will go off. If these LEDs remain flashing, turn the machine power off and then on and perform the same exit procedure.

- After replacement of the main PCB, it is necessary to set scanning compensation parameters stored in the EEPROM and customize the EEPROM for the page length.

- Setting scanning compensation parameters

If both the printer and copyboard are brought to the service station, set the scanning compensation parameters (Function code 55) as described in Subsection 4.3.1.

If only the printer is brought to the service station, make automatic setting of the scanning compensation parameters (Function code 02) as described in Subsection 4.3.3.

- Customizing the EEPROM

Customize the EEPROM for page length according to machine models (Function code 32) as described in Subsection 4.3.7.

Removing the drive unit and hinge plate L

(12) Remove two screws from the drive unit.

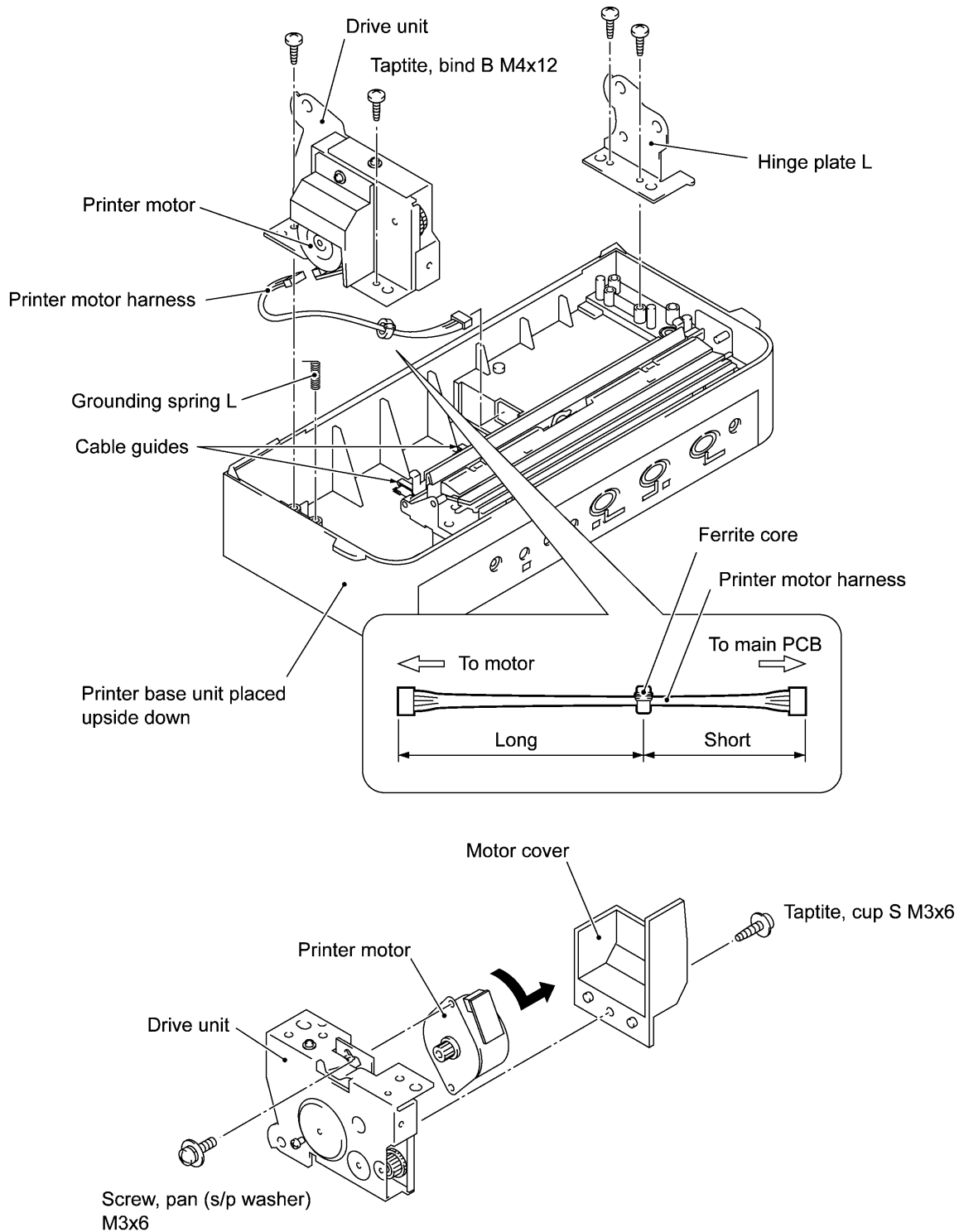
(13) Slightly lift up the drive unit and disconnect the printer motor harness from the motor.

NOTE: After removing the drive unit, take care not to drop the grounding spring L.

(14) Take off the motor cover by removing the screw.

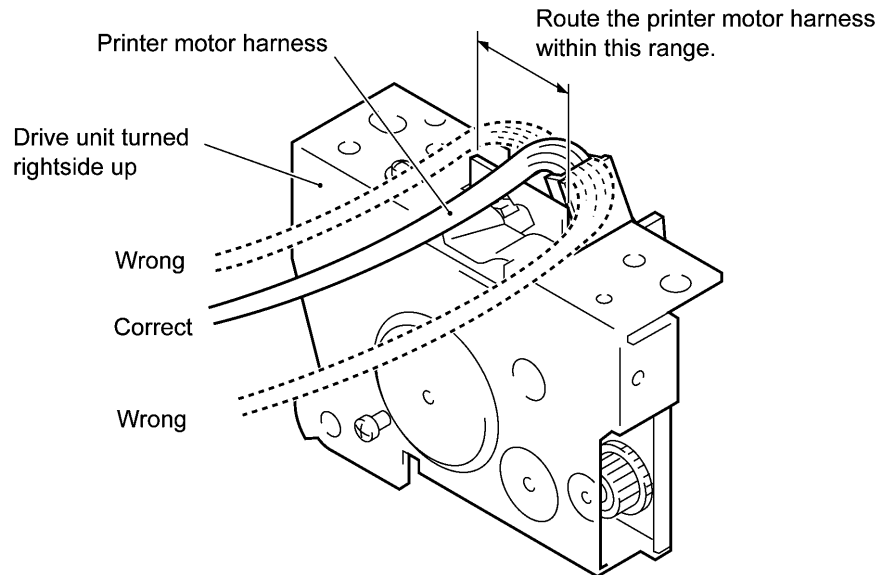
(15) Take off the printer motor by removing the screw.

(16) Remove two screws from the hinge plate L and take it off.

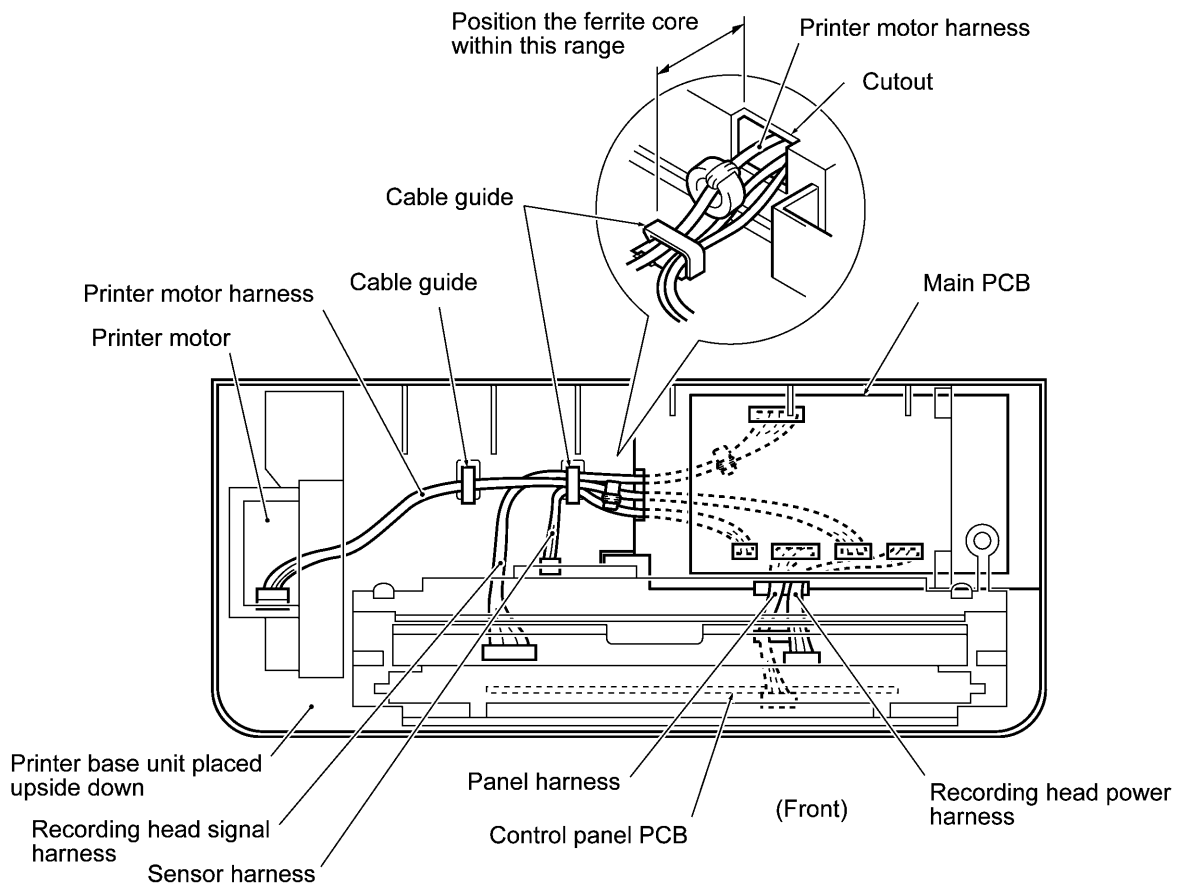


n **Reassembling notes**

- When connecting the printer motor harness, connect its end which is far from the ferrite core to the motor and its end near the core to the main PCB as illustrated on the previous page.
- When setting the drive unit back into place, route the printer motor harness as shown below.

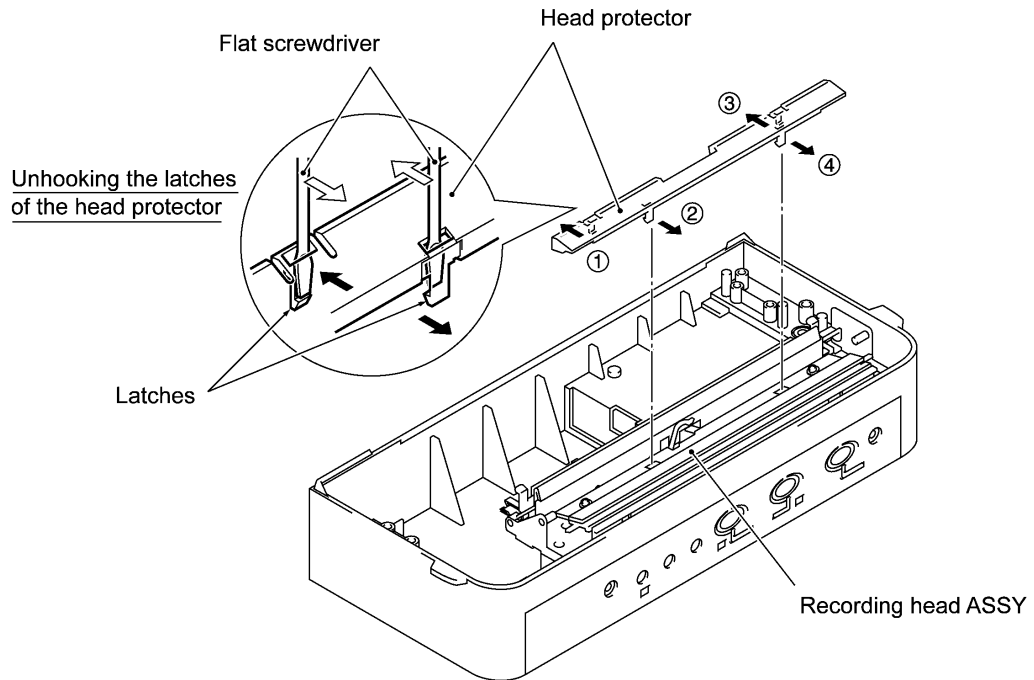


- Route the printer motor harness through two cable guides and position the ferrite core between the cable guide and cutout as illustrated below.



Removing the head protector, recording head ASSY, recorder frame, and PE/cover sensor PCB

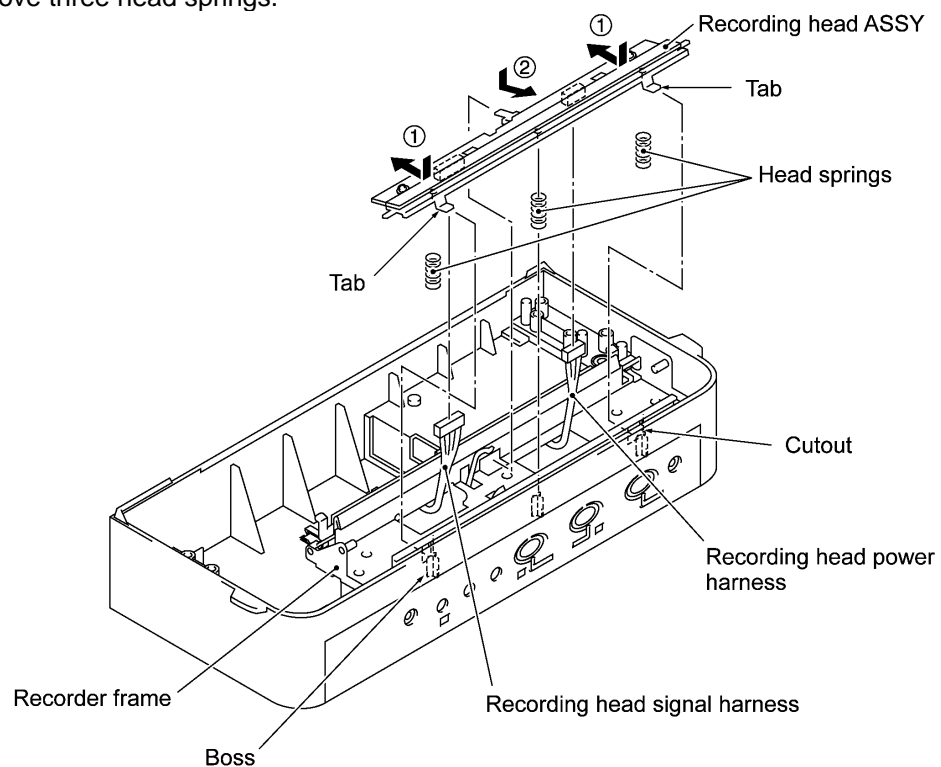
(17) While pulling up the left end of the head protector, unhook latches through „ in this order with a small flat screwdriver as illustrated below.



(18) Push down both ends of the recording head ASSY and move it to the rear to release the tabs from the cutouts provided in the recorder frame.

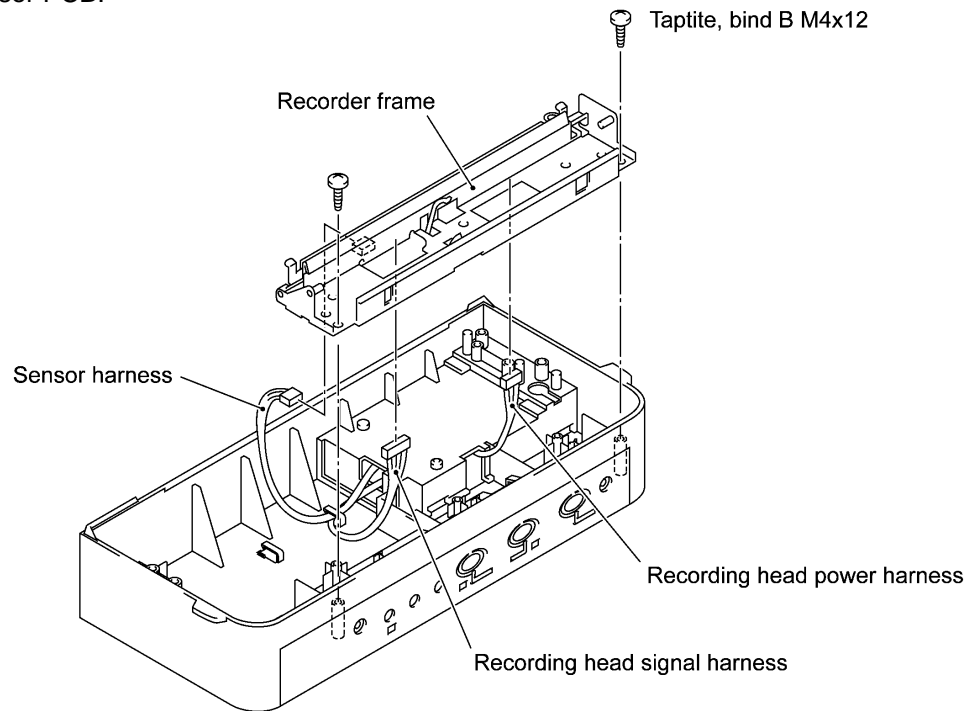
(19) Disconnect the two harnesses (recording head signal and power harnesses) from the recording head ASSY and then lift it up.

(20) Remove three head springs.



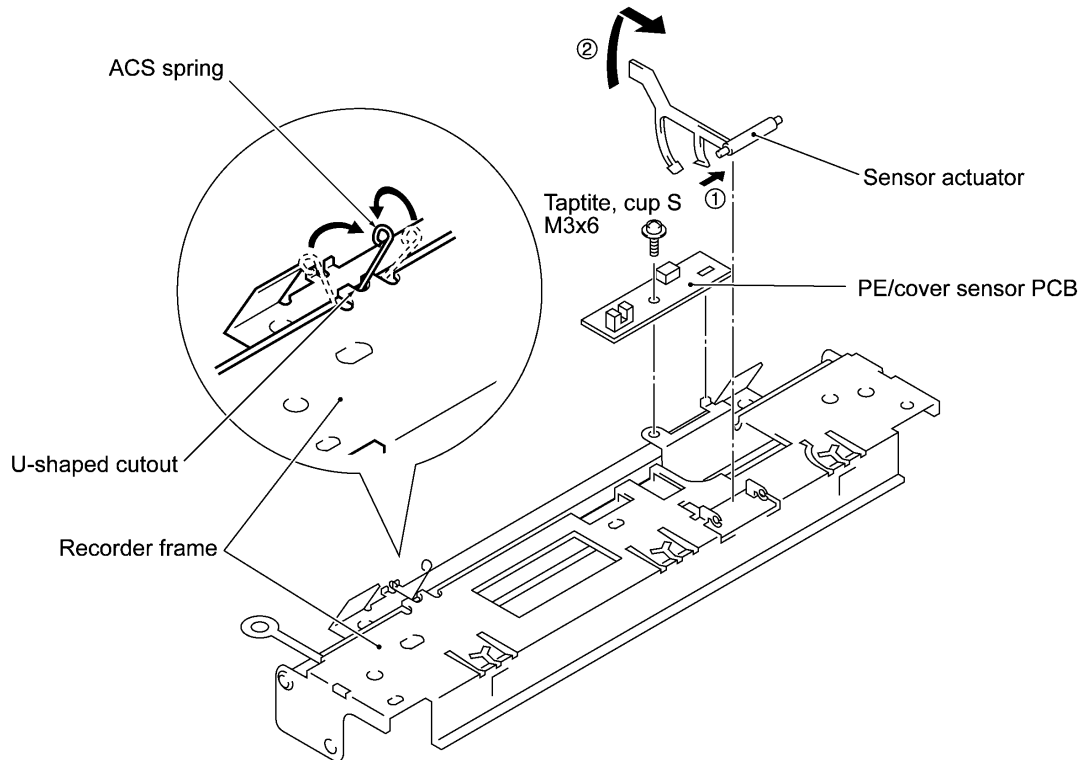
(21) Remove two screws from the recorder frame.

(22) Slightly lift up the recorder frame and disconnect the sensor harness from the PE/cover sensor PCB.



(23) Take off the PE/cover sensor PCB by removing the screw.

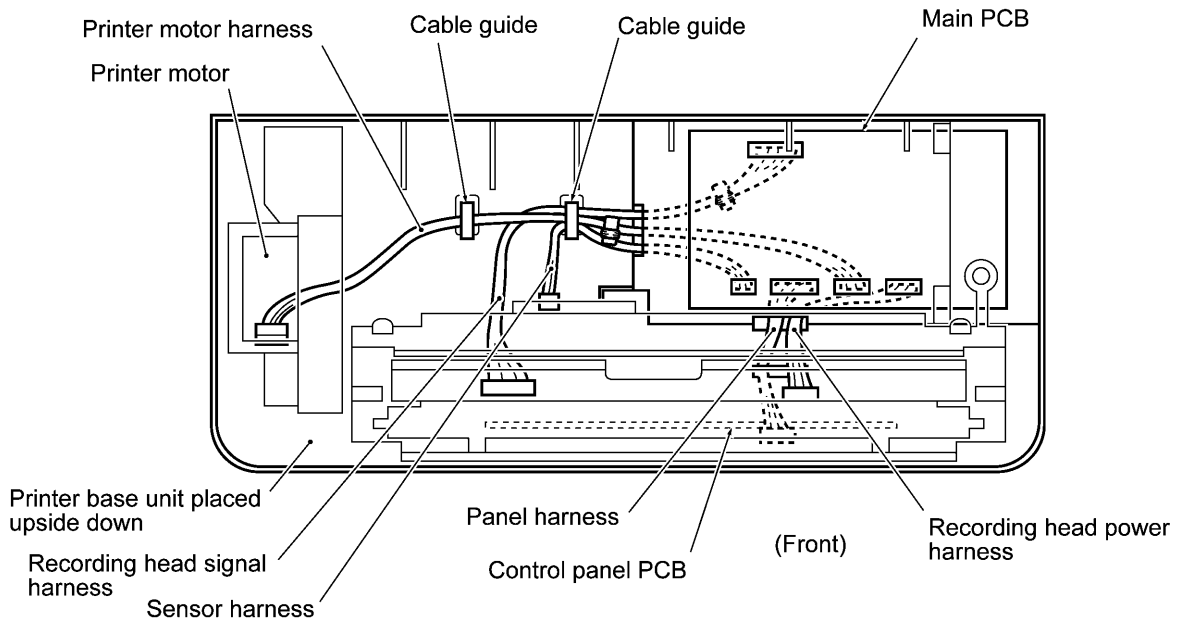
(24) Remove the sensor actuator as shown below.



n Reassembling notes

- Before setting the recorder frame back into place, make sure that the ACS spring is fitted in the U-shaped cutout of the recorder frame as illustrated above.

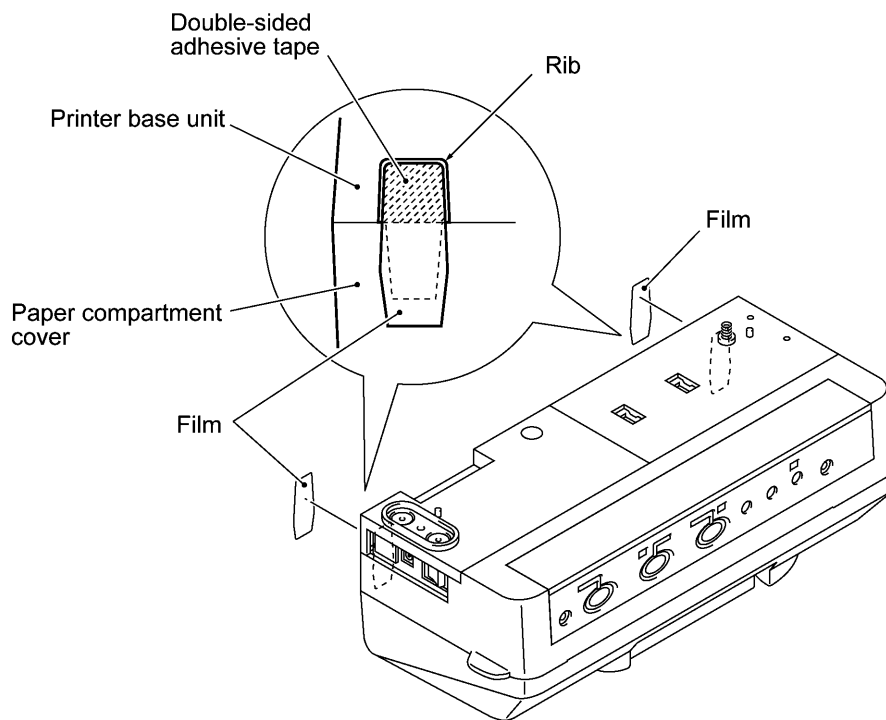
- After reassembly, make sure that the harnesses are routed as shown below.



Removing the films

NOTE: Once removed, the films will become unusable and new ones will have to be put back in.

(25) Remove the films as shown below.



n Reassembling notes

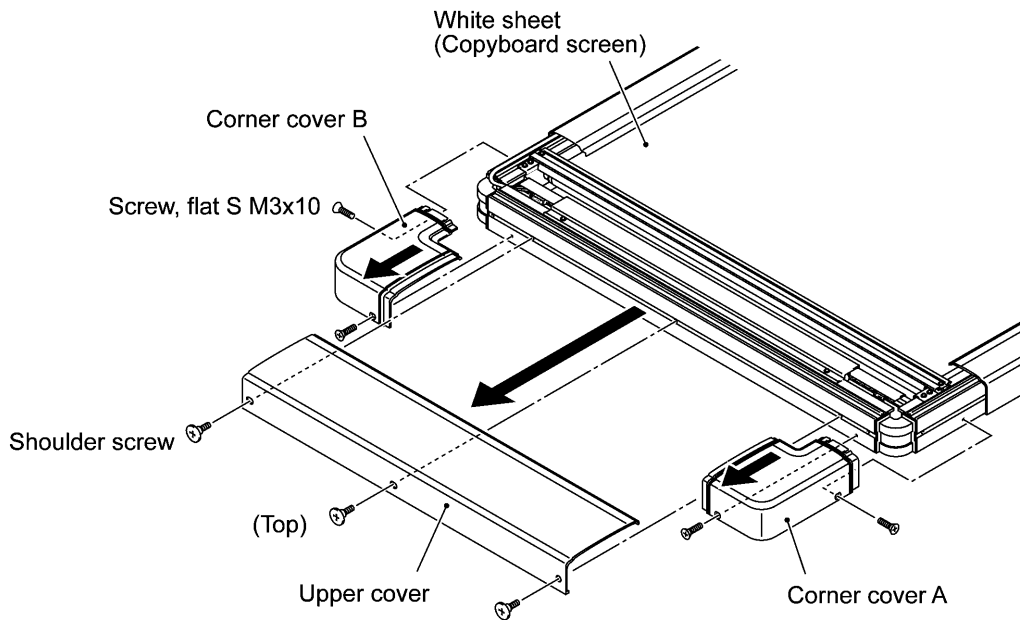
- Attach the adhesive face of each film to the hatched section of the printer base unit within the rib as shown above.

3.1.2 Disassembly of Copyboard

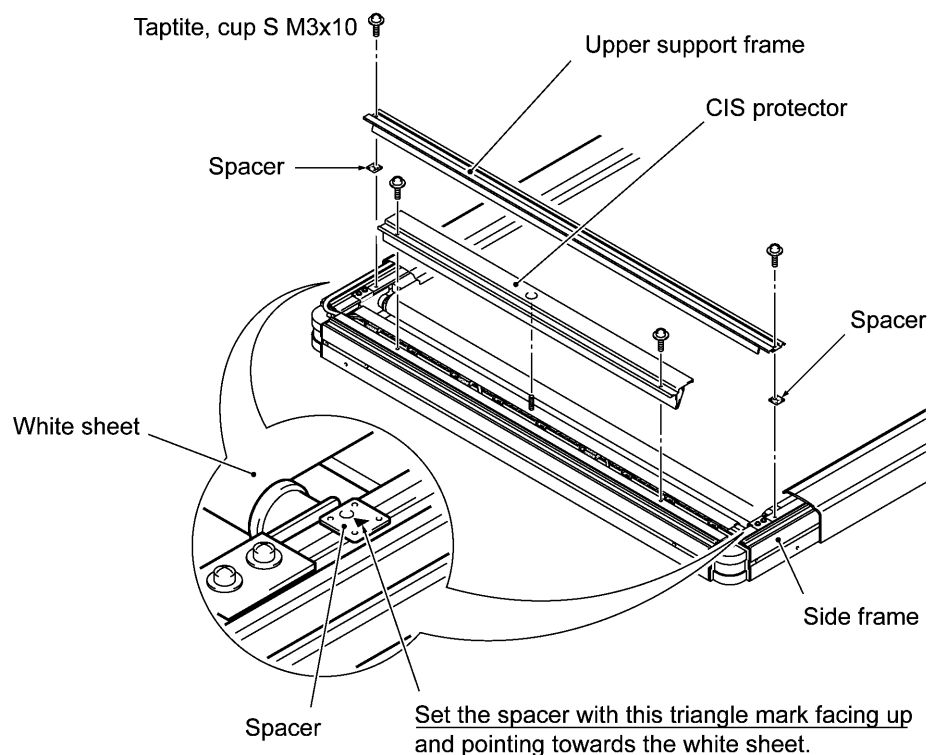
[1] Removing the CIS units

Removing the upper cover, corner covers, CIS protector, and upper support frame

- (1) Remove the upper cover (three shoulder screws).
- (2) Remove the corner covers A and B (two flat S screws, M3x10 from each cover).



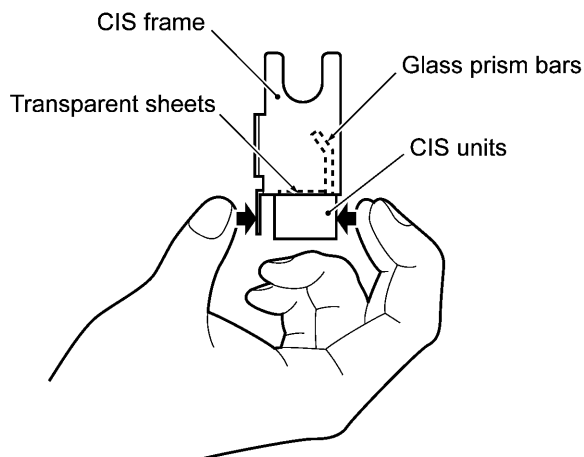
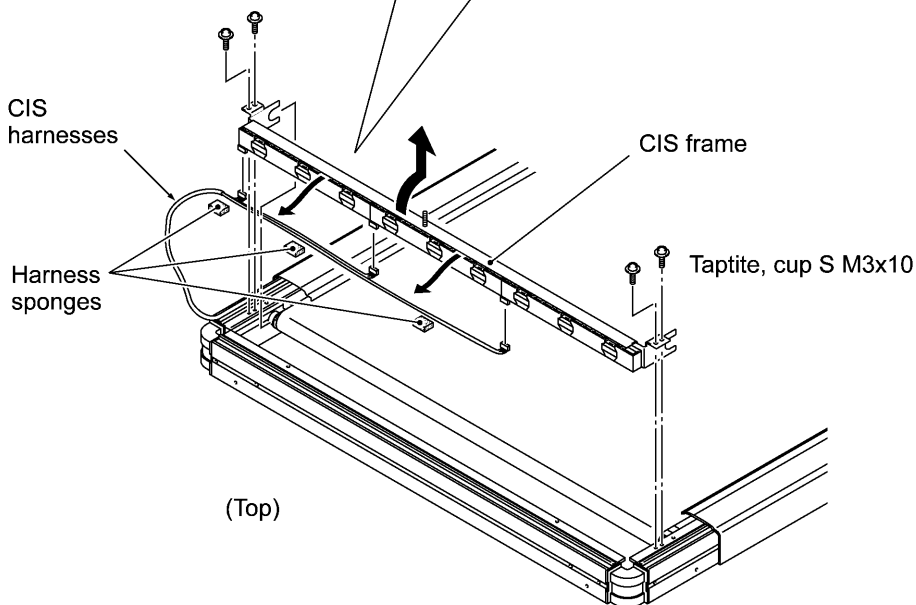
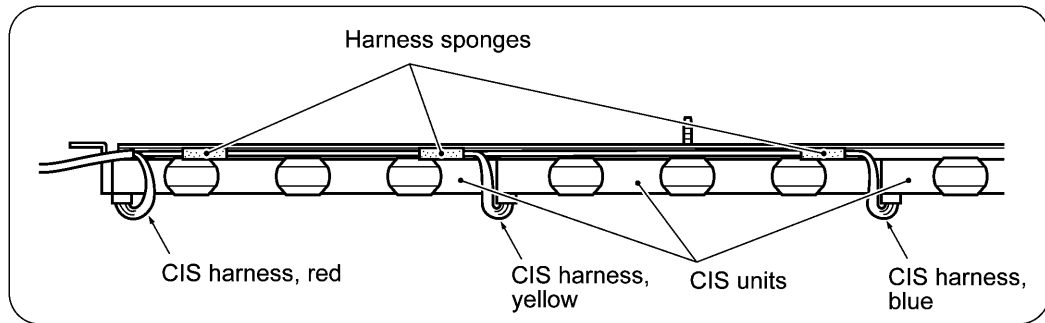
- (3) Remove the CIS protector (two cup S taptite screws, M3x10).
- (4) Remove the upper support frame (two cup S taptite screws, M3x10).



Removing the CIS frame and CIS units

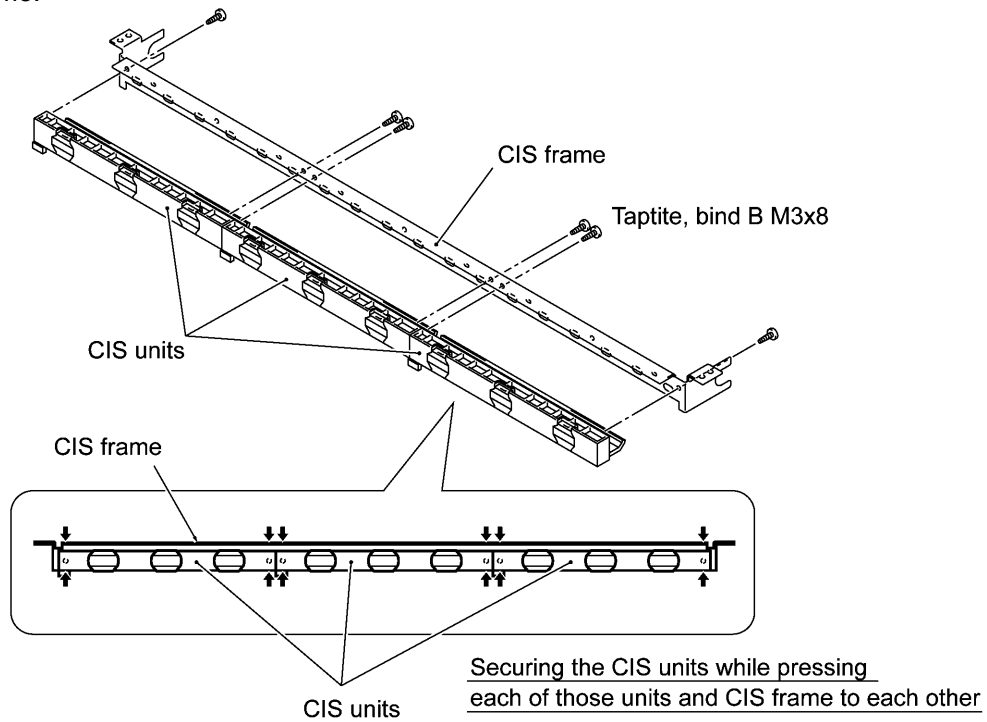
- (5) Remove the CIS frame (two cup S Taptite screws, M3x10 from its each end).
- (6) Pivot up the CIS frame as shown below, remove the three harness sponges, disconnect the three CIS harnesses from the CIS units, and then lift up the CIS frame.

NOTE: When handling the CIS frame, hold it as shown below, taking care not to touch the glass prism bars or transparent sheets. If you touch any of them, be sure to wipe it with a soft cloth. NEVER use alcohol to clean it.



Handling the CIS frame, taking care not to touch the glass prism bars or transparent sheets

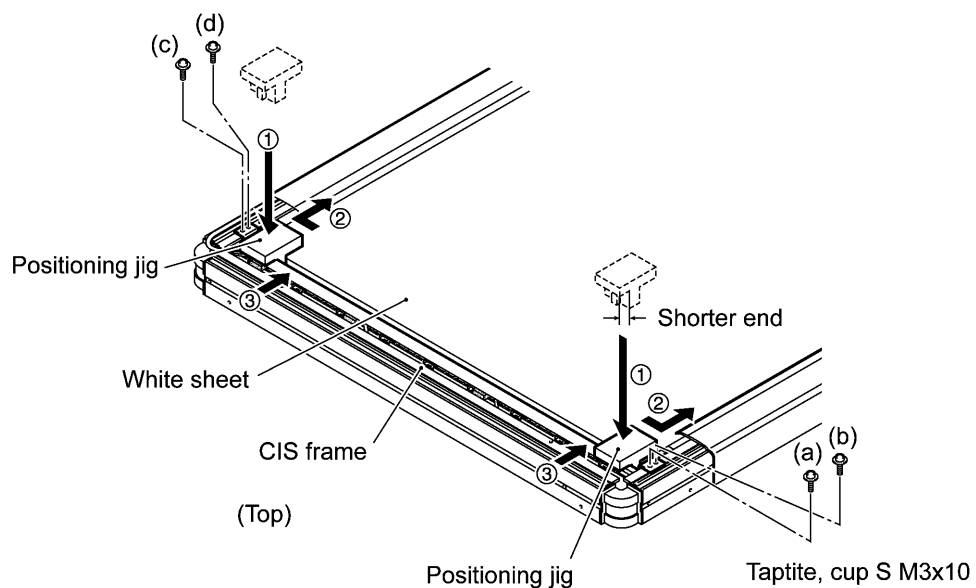
- (7) Remove three CIS units (two bind B taptite screws, M3x8 from each CIS unit) from the CIS frame.



n Reassembling notes

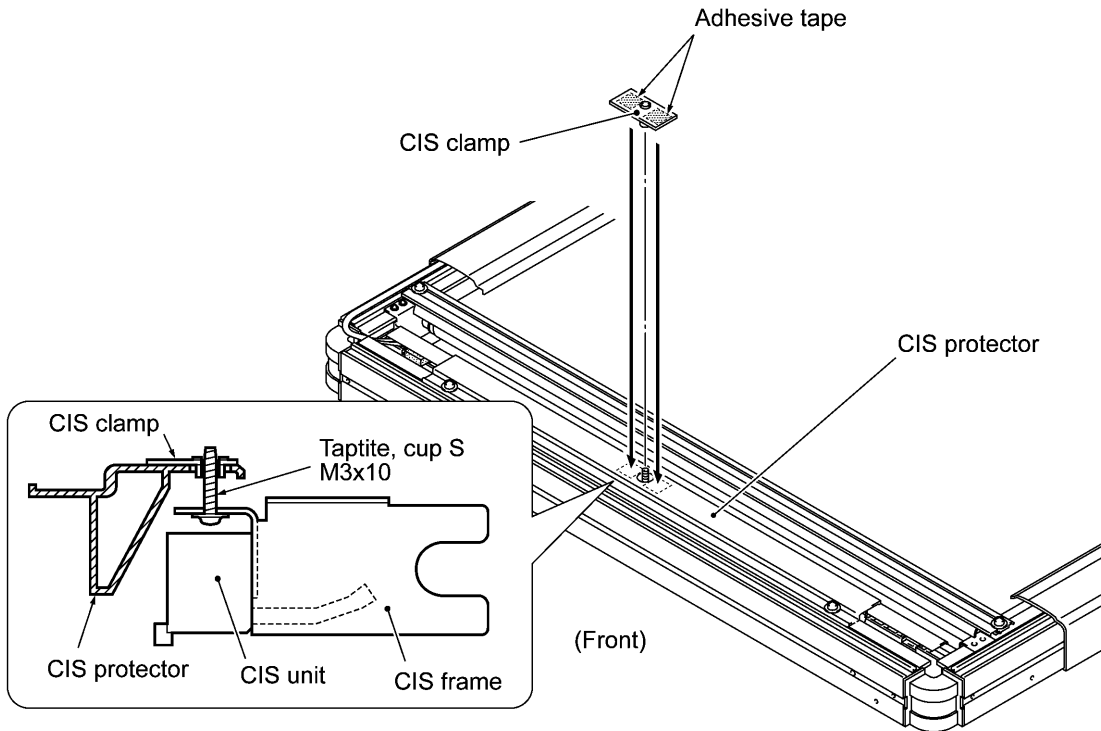
- If any one of the three CIS units is defective, replace the three-unit set with a new set.
- When securing the CIS units to the CIS frame with screws, press each of those units and CIS frame to each other with your fingers as shown above.
- When reinstalling the CIS frame, first connect the three CIS harnesses to the CIS units according to the ID color, set the CIS frame back into place, and then put three sponges into the positions specified on the previous page to secure those harnesses.

Next, set the two positioning jigs in the direction of arrows • and , with its shorter end facing towards the CIS units. While pressing the positioning jigs in the direction of arrow f , tighten four screws in the order of (a), (b), (c), and (d) shown below. When removing the positioning jigs, check again that there is no looseness.



- If you replace the CIS unit set, set the scanning compensation parameters stored in the EEPROM (Function code 55) as described in Subsection 4.3.1.
- When securing the upper support frame to the side frames, sandwich the spacers between them as shown on page III-22.
- Once the CIS protector is removed, the CIS clamp on the protector should be replaced with a new one.

Before setting the removed CIS protector back into place, remove the current CIS clamp. After securing the CIS protector, attach a new CIS clamp instead, taking care not to let the new CIS clamp protrude from the rear edge of the CIS protector.

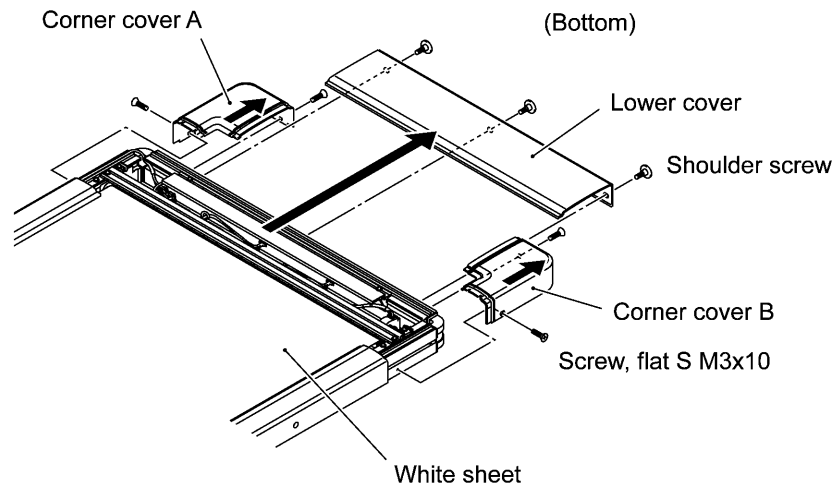


- When securing the upper cover, temporarily tighten the three shoulder screws (shown on page III-22), center the upper cover relative to the corner covers, and then firmly tighten those screws.

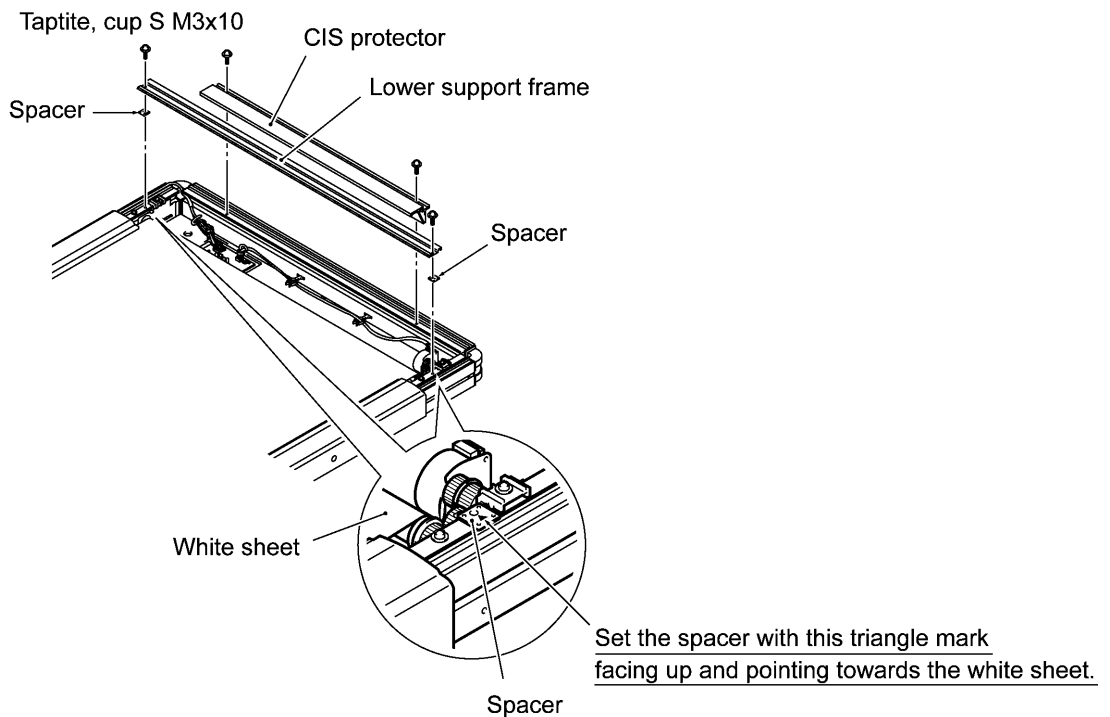
[2] Removing the relay PCB and printer-copyboard interface cable

Removing the lower cover, corner covers, CIS protector, and lower support frame

- (1) Remove the lower cover (three shoulder screws).
- (2) Remove the corner covers A and B (two flat S screws, M3x10 from each cover).

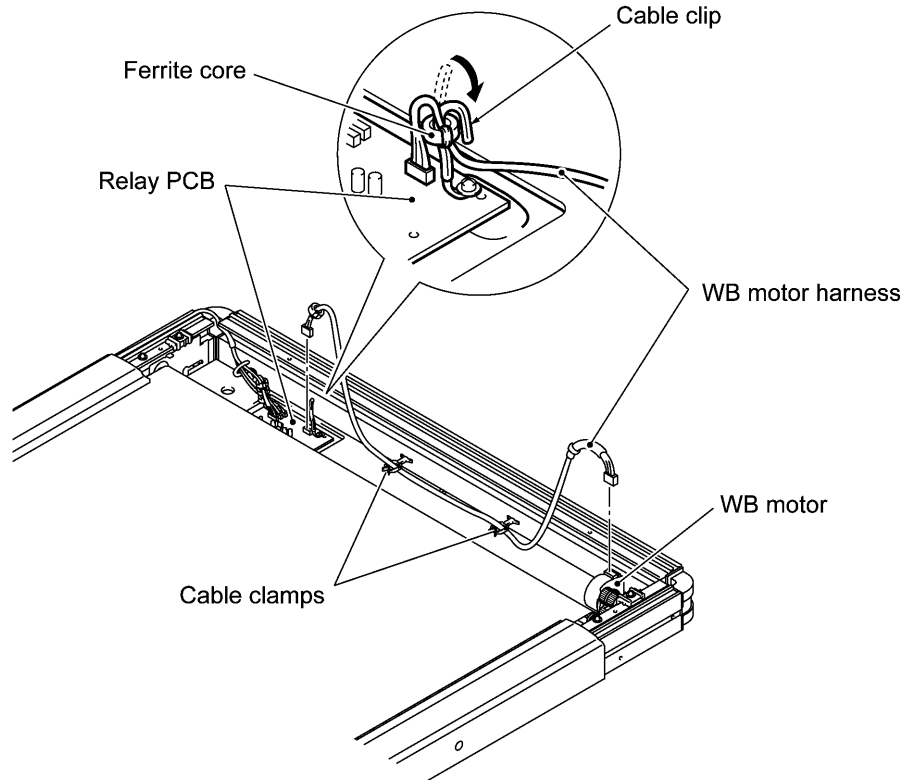


- (3) Remove the CIS protector (two cup S taptite screws, M3x10).
- (4) Remove the lower support frame (two cup S taptite screws, M3x10).



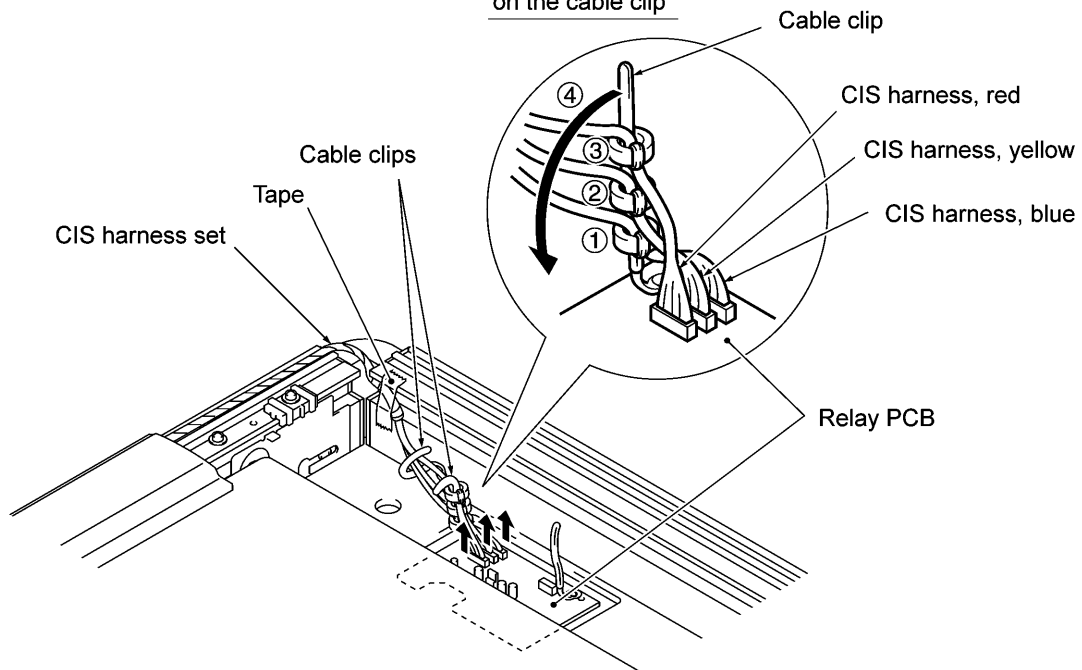
Removing the WB motor harness, relay PCB, and printer-copyboard interface cable

- (5) Disconnect the WB motor harness from the relay PCB and the WB motor. On the relay PCB, straighten the cable clip and pull out the ferrite core of the harness. Then take the WB motor harness out of the cable clamps.

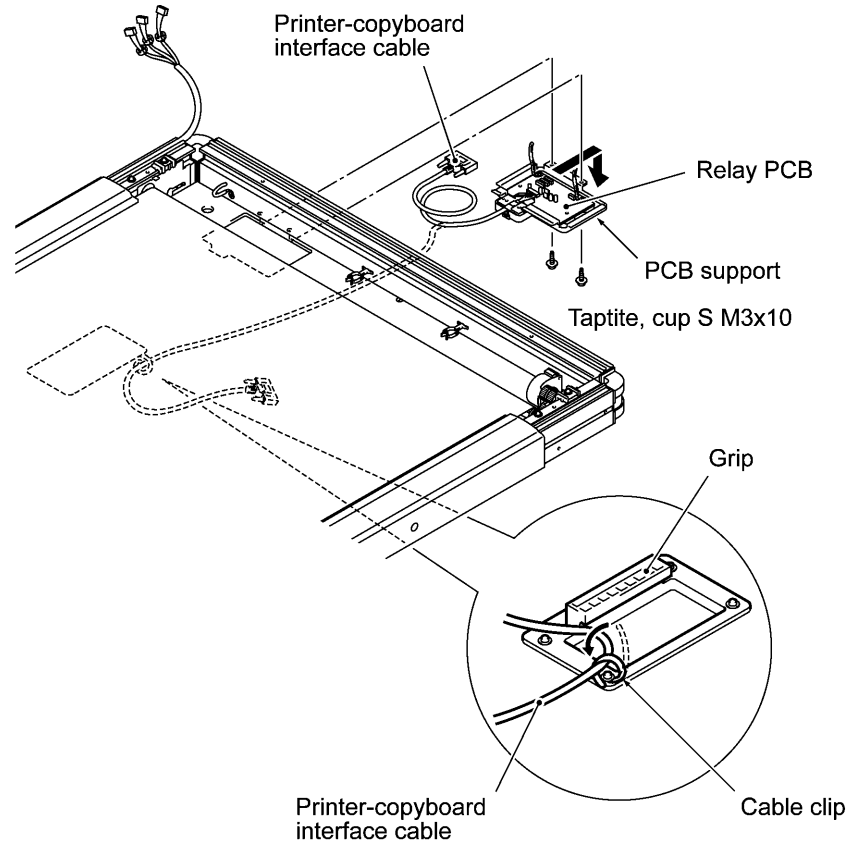


- (6) Remove the tape from the CIS harness set and straighten the two cable clips.
- (7) Disconnect the red CIS harness from the relay PCB and pull it out from the cable clip. In the same way, release the yellow and blue CIS harnesses.

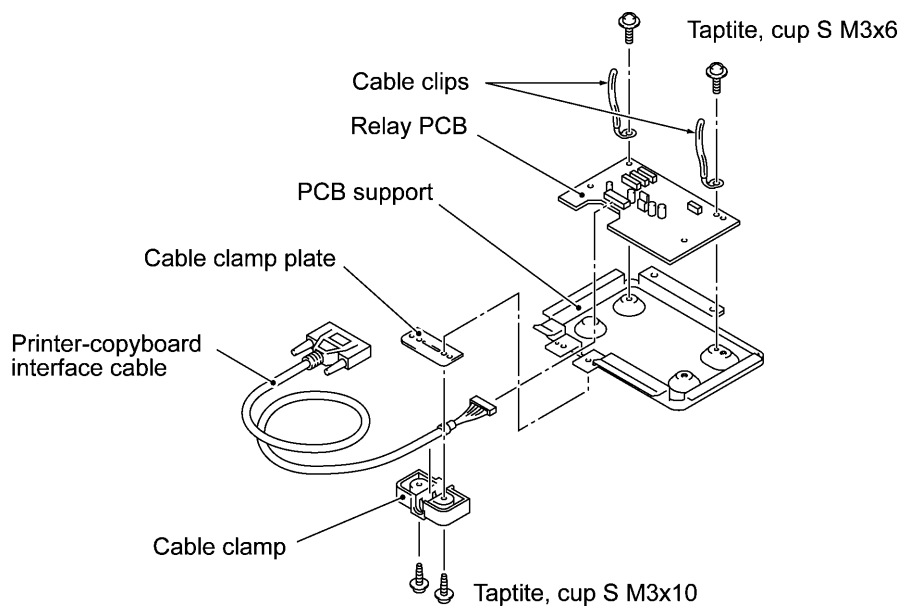
Arranging the CIS harnesses on the cable clip



- (8) Turn the copyboard upside down.
- (9) On the grip, straighten the cable clip and release the printer-copyboard interface cable.
- (10) Remove the PCB support (two cup S taptite screws, M3x10) together with the printer-copyboard interface cable and the relay PCB.



- (11) Remove two screws (two cup S taptite screws, M3x6) from the relay PCB and disconnect the printer-copyboard interface cable.
- (12) Remove the printer-copyboard interface cable (two cup S taptite screws, M3x10 on the cable clamp).



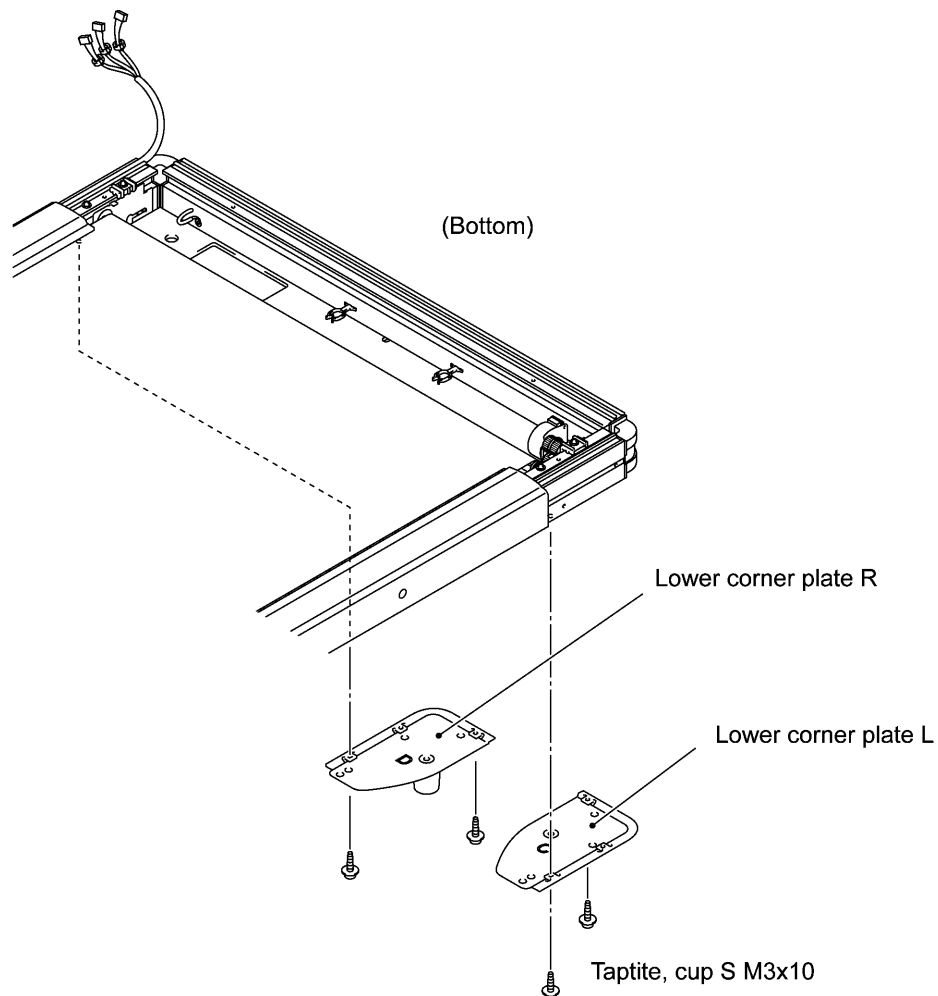
n Reassembling notes

- Before connecting each of the CIS harnesses to the relay PCB, be sure to fit its ferrite core over the cable clip. As shown on page III-27, in the order of the blue, yellow, and red CIS harnesses, fit their ferrite cores over the cable clip and then connect those harnesses to the relay PCB.
- After routing the CIS harnesses and WB motor harness, make sure that those harnesses and their ferrite cores do not interfere with the white sheet and frames, respectively.
- When securing the lower support frame to the side frames, sandwich the spacers between them as shown on page III-26.
- When securing the lower cover, temporarily tighten the three shoulder screws (shown on page III-26) in the center screw hole and outer screw holes, center the lower cover relative to the corner covers, and then firmly tighten those screws.

[3] Removing the lower pipe and WB motor

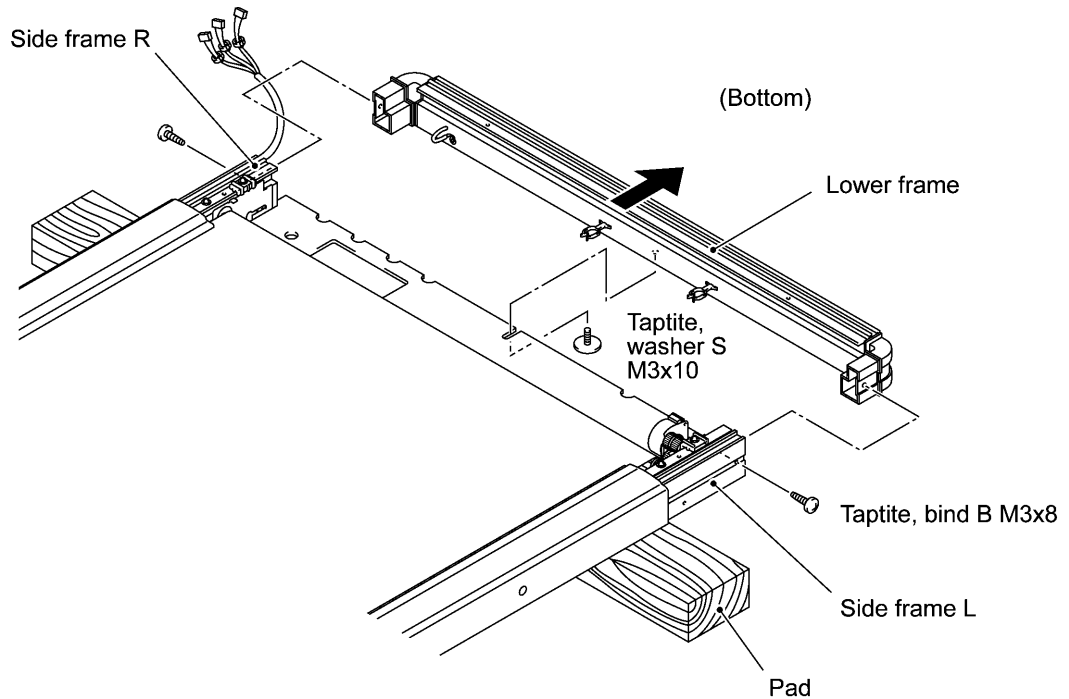
Removing the lower corner plates and lower frame

- (1) Remove the lower corner plates R and L (two cup S taptite screws, M3x10 from each plate).



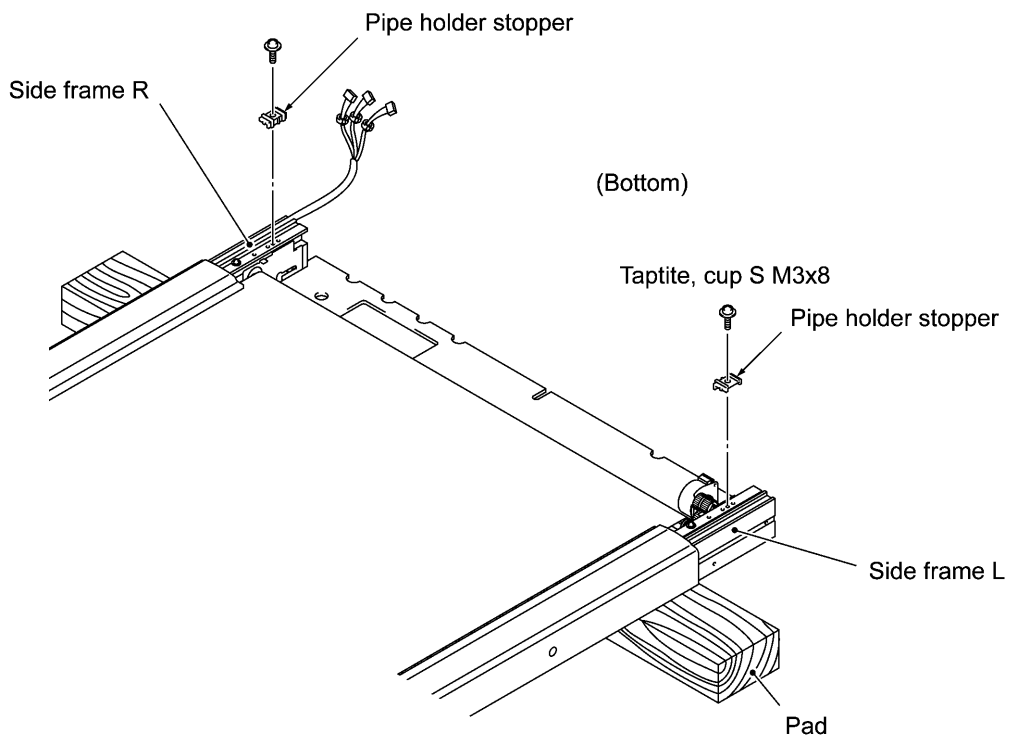
- (2) Remove the lower frame (one washer S taptite screw, M3x10 and two bind B taptite screws, M3x8) and then pull it out.

NOTE: When placing the copyboard rightside up after removing the lower frame, apply any pad under the copyboard to protect the grip as shown below.

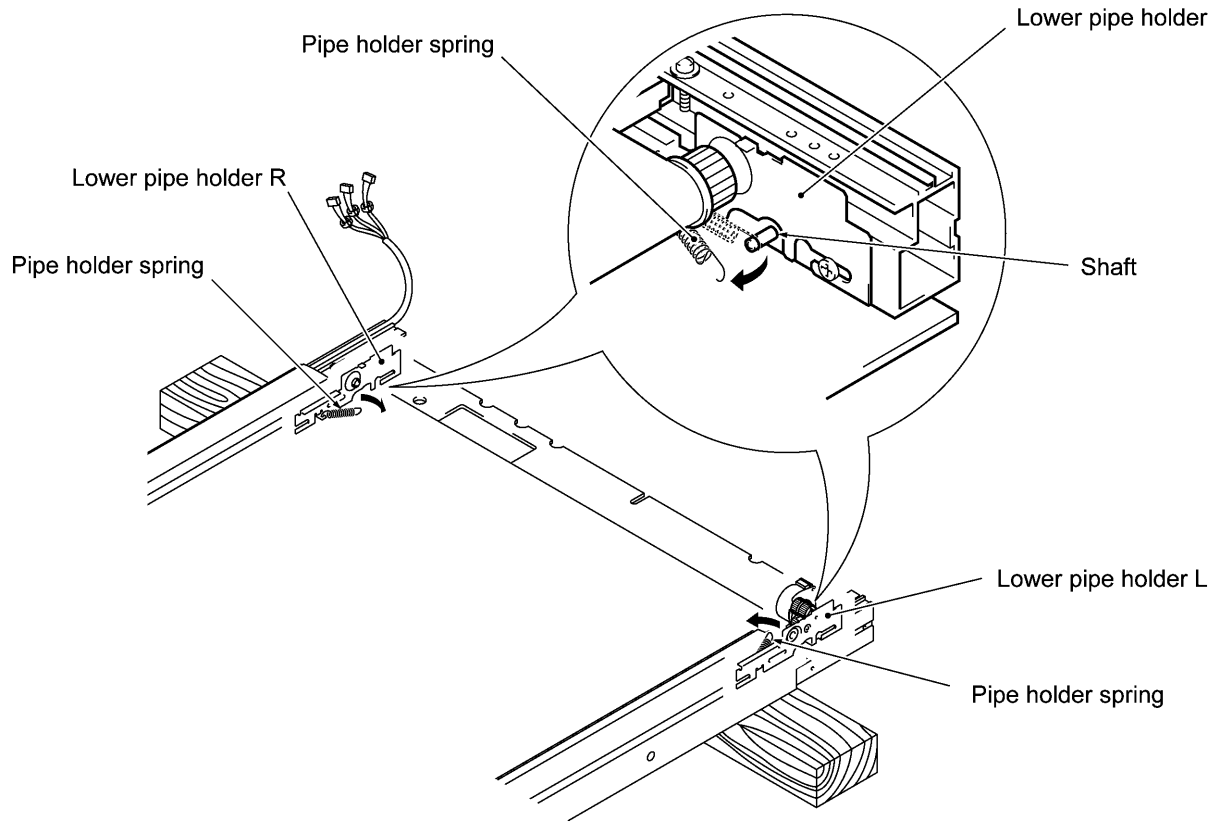


Removing the pipe holder stoppers, pipe spacer L, lower pipe and its holders

- (3) Remove two pipe holder stoppers (one cup S taptite screw, M3x8 from each stopper).

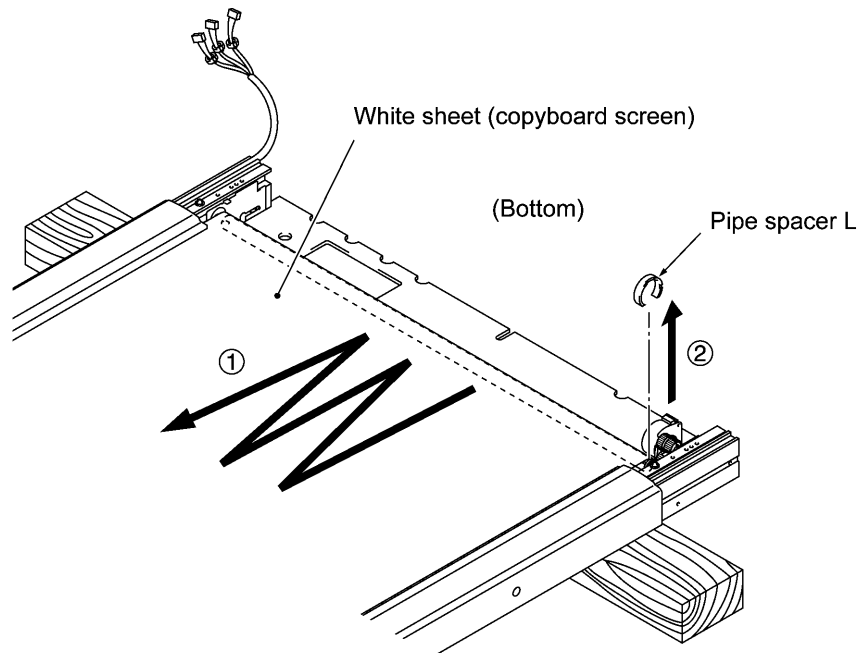


- (4) Unhook the pipe holder springs from the lower pipe holders R and L.

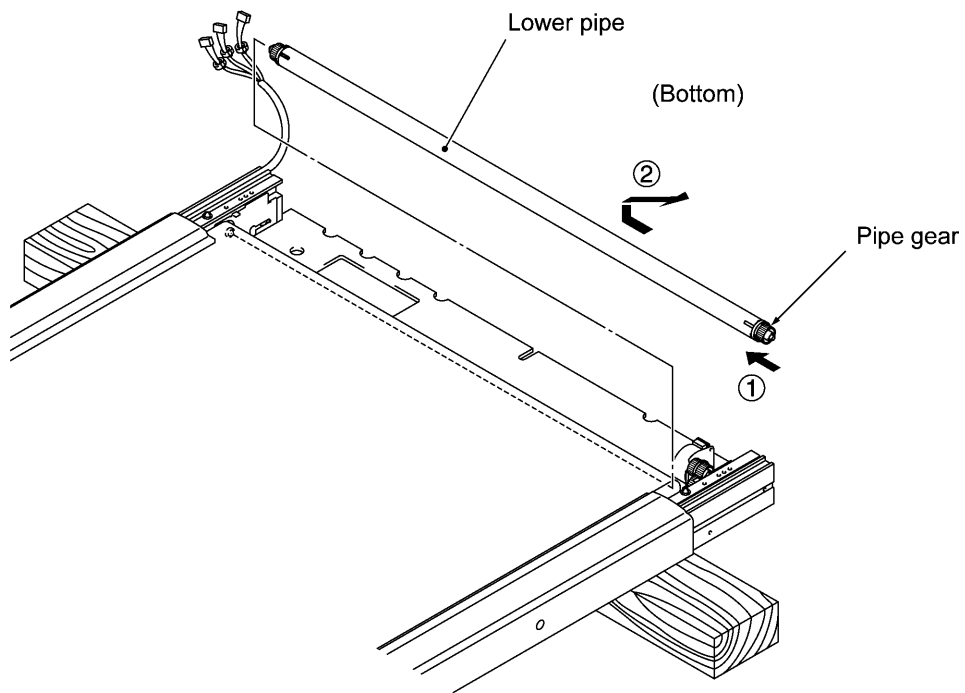


- (5) While scrolling the white sheet (copyboard screen), slide it in the direction of arrow • so that the pipe spacer L can appear.

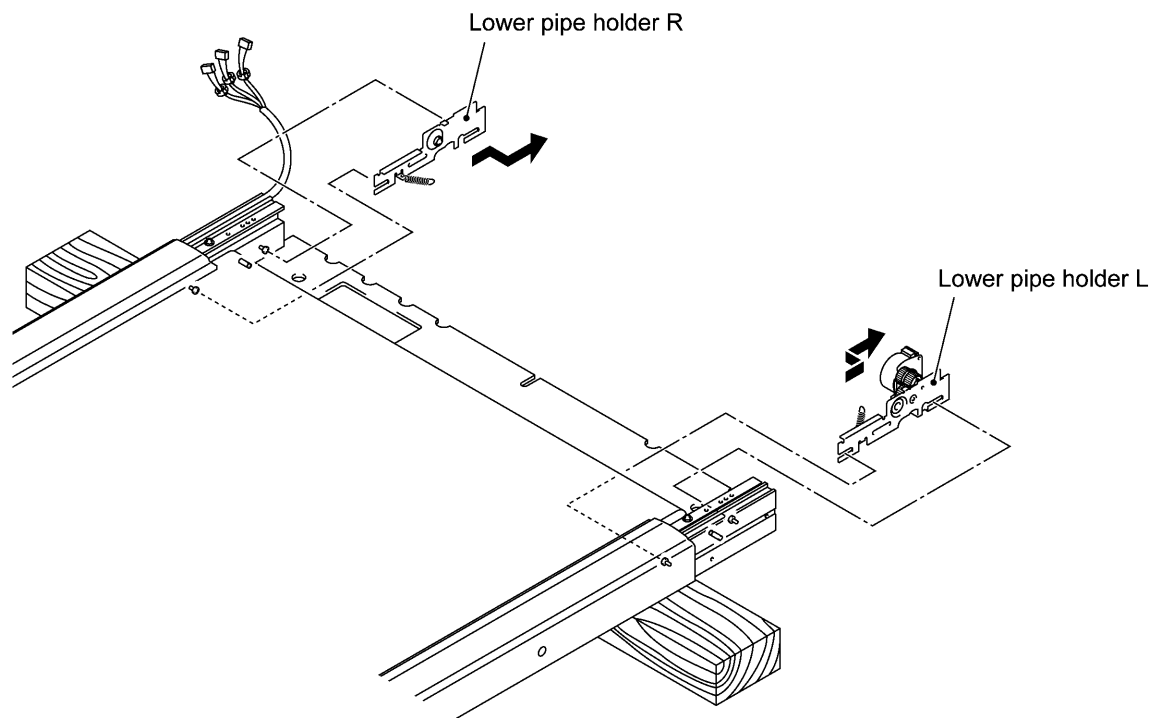
- (6) Remove the pipe spacer L in the direction of arrow , .



- (7) Press the pipe gear in the direction of arrow • and disengage it from the lower pipe holder L, then pull out the lower pipe in the direction of arrow , .

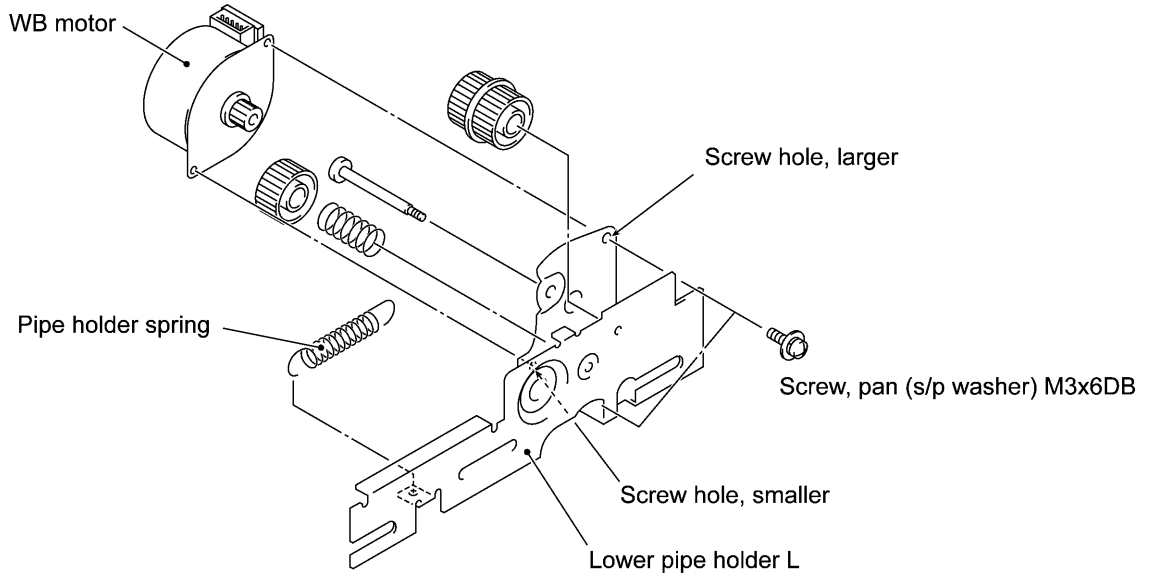


- (8) Take out the lower pipe holders R and L in the direction of the arrows.



Removing the WB motor

- (9) Remove the WB motor (two pan screws with S/P washer, M3x6DB) from the lower pipe holder L.

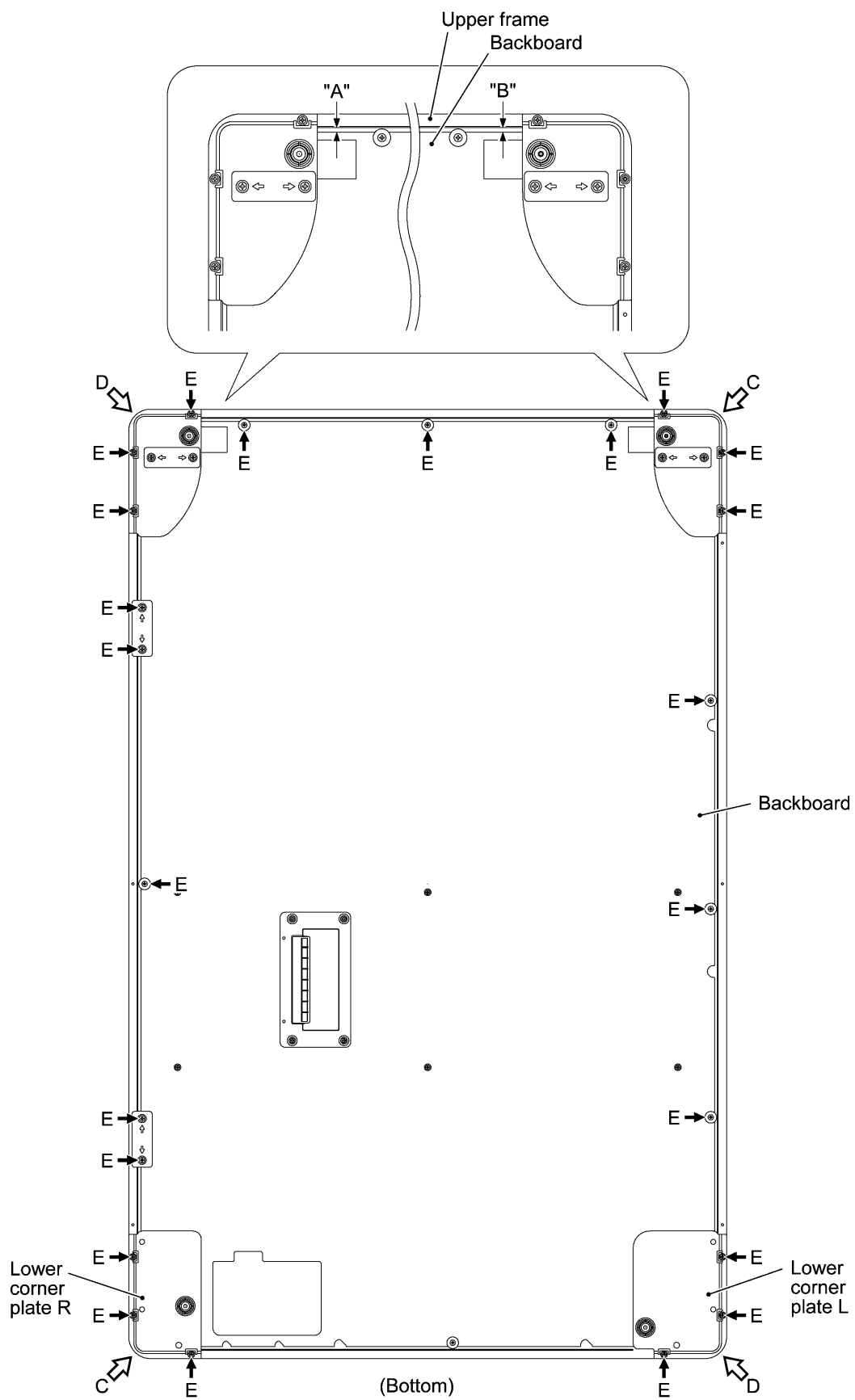


n Reassembling notes

- When securing the WB motor to the lower pipe holder L, first tighten a screw in the smaller screw hole.
- Before securing the lower corner plates R and L with screws, at the top of the frame ASSY check that the difference between distances "A" and "B" (shown on the next page) is within 1 mm, where "A" and "B" are distances from the top edge of the backboard to the rib of the upper frame.

If the difference exceeds 1 mm, loosen (not remove) all screws E, press the frame ASSY in the direction of C or D to fix the ASSY's distortion, tighten screws E, and then secure the lower corner plates R and L with screws.

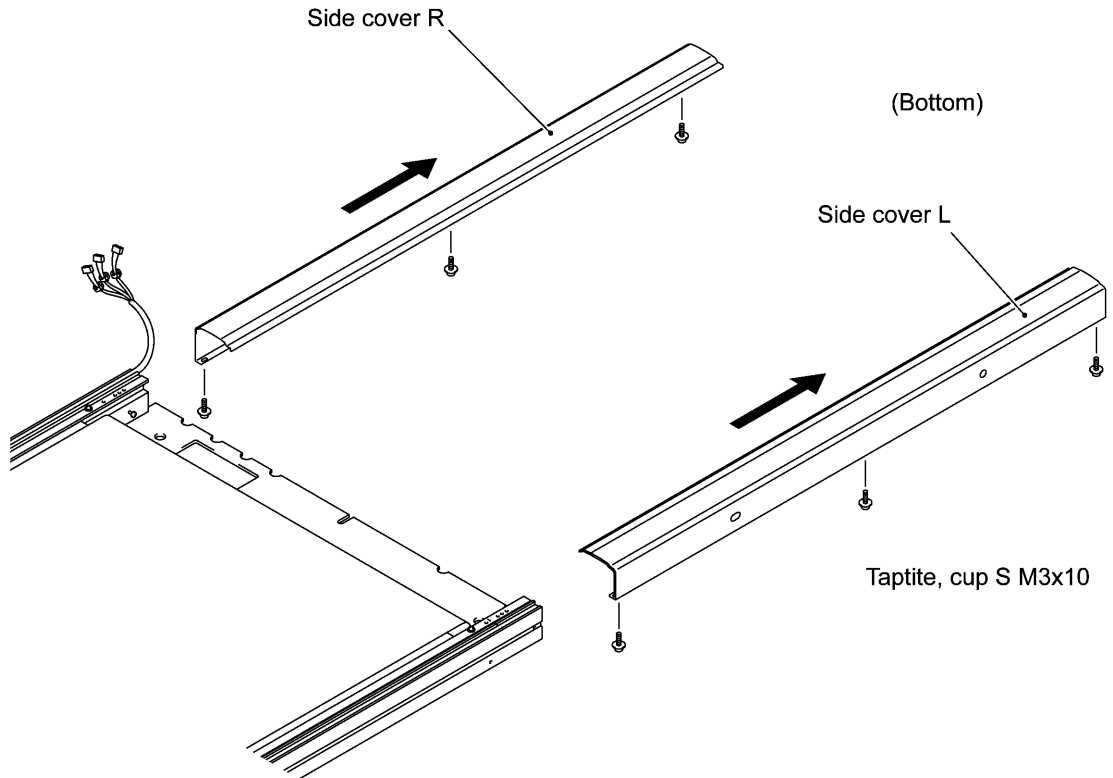
If the frame ASSY is distorted, the right or left edge of the white sheet will become slack, causing the white sheet to come into contact with the upper cover.



[4] Replacing the white sheet (copyboard screen) and the sheet backup board

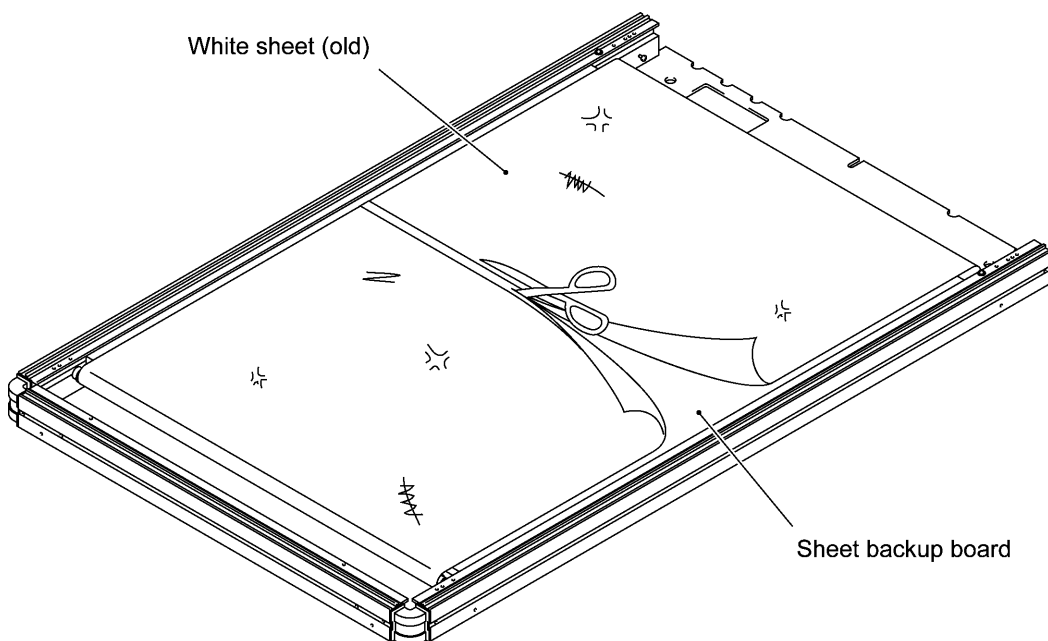
- (1) Remove the six screws (three cup S taptite screws, M3x10 from each side cover) from the side covers and slide them as shown below.

NOTE: When sliding the side covers, take care not to damage the CIS harnesses.

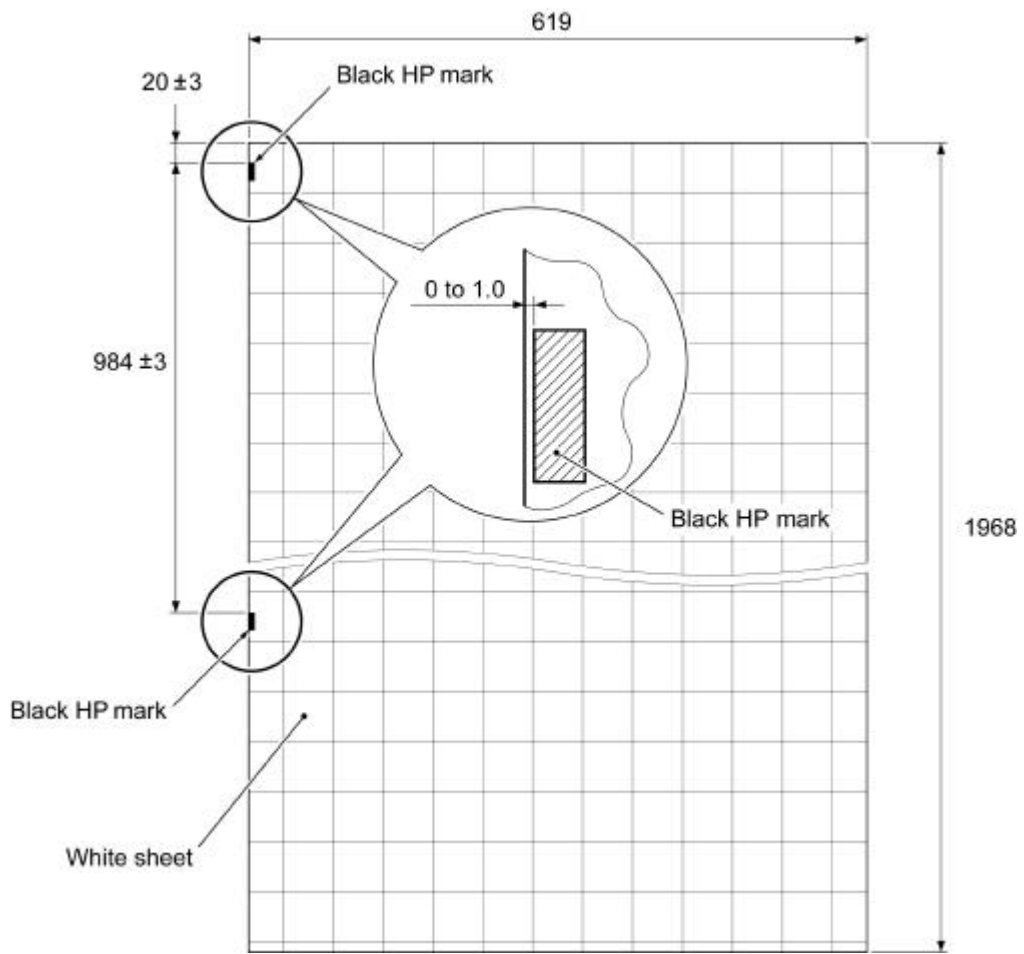


- (2) Cut the white sheet to be replaced with scissors.

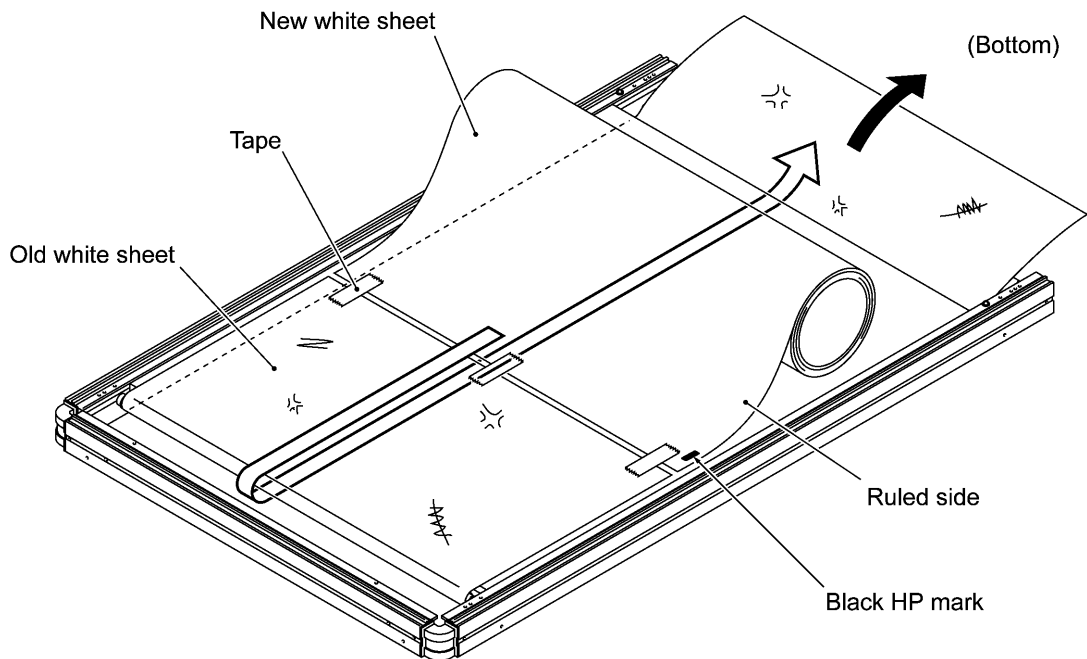
NOTE: Do not use a cutter or knife which could damage the sheet backup board.



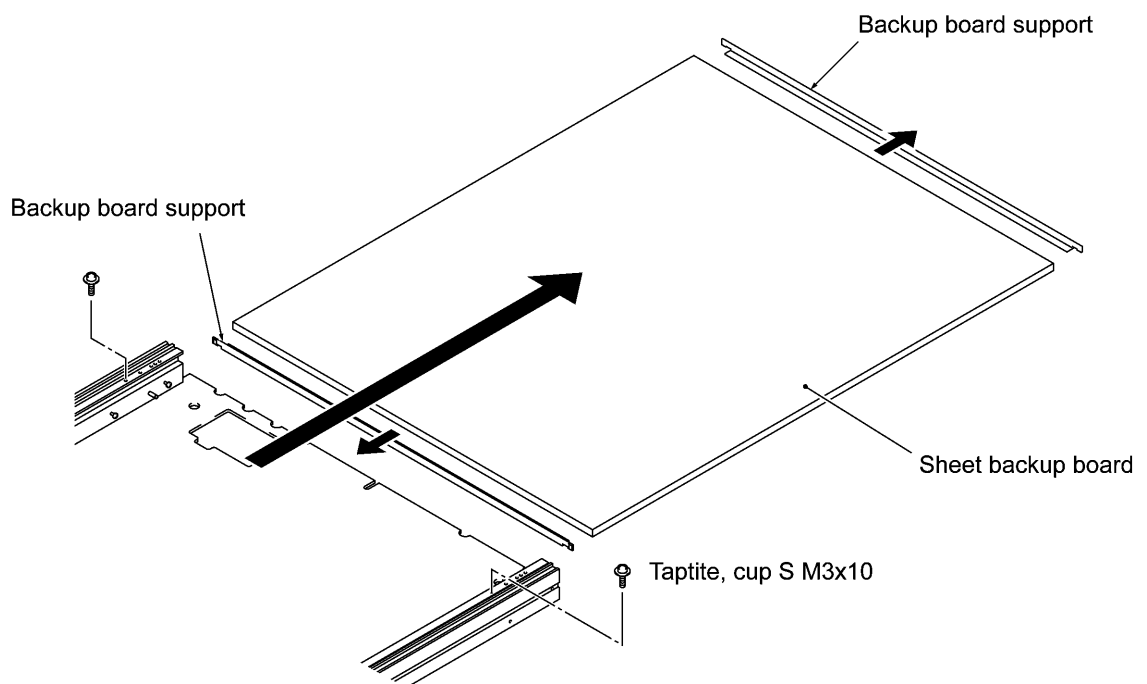
(3) Paste two black HP marks onto the ruled side of a new white sheet as specified below.



- (4) As illustrated below, put the new white sheet on the old one with the ruled side facing up and black HP marks facing towards the left.
- (5) Tape the edge of the new white sheet to the cut edge of the old one.
- (6) Pull the other edge of the old white sheet in the direction of the black arrow. This will set the new white sheet around the sheet backup board.



- (7) To replace the sheet backup board, remove two screws (one cup S taptite screw, M3x10 from each side frame) and pull out the board together with its supports. Set a new board back into place together with the removed supports and tighten two screws.

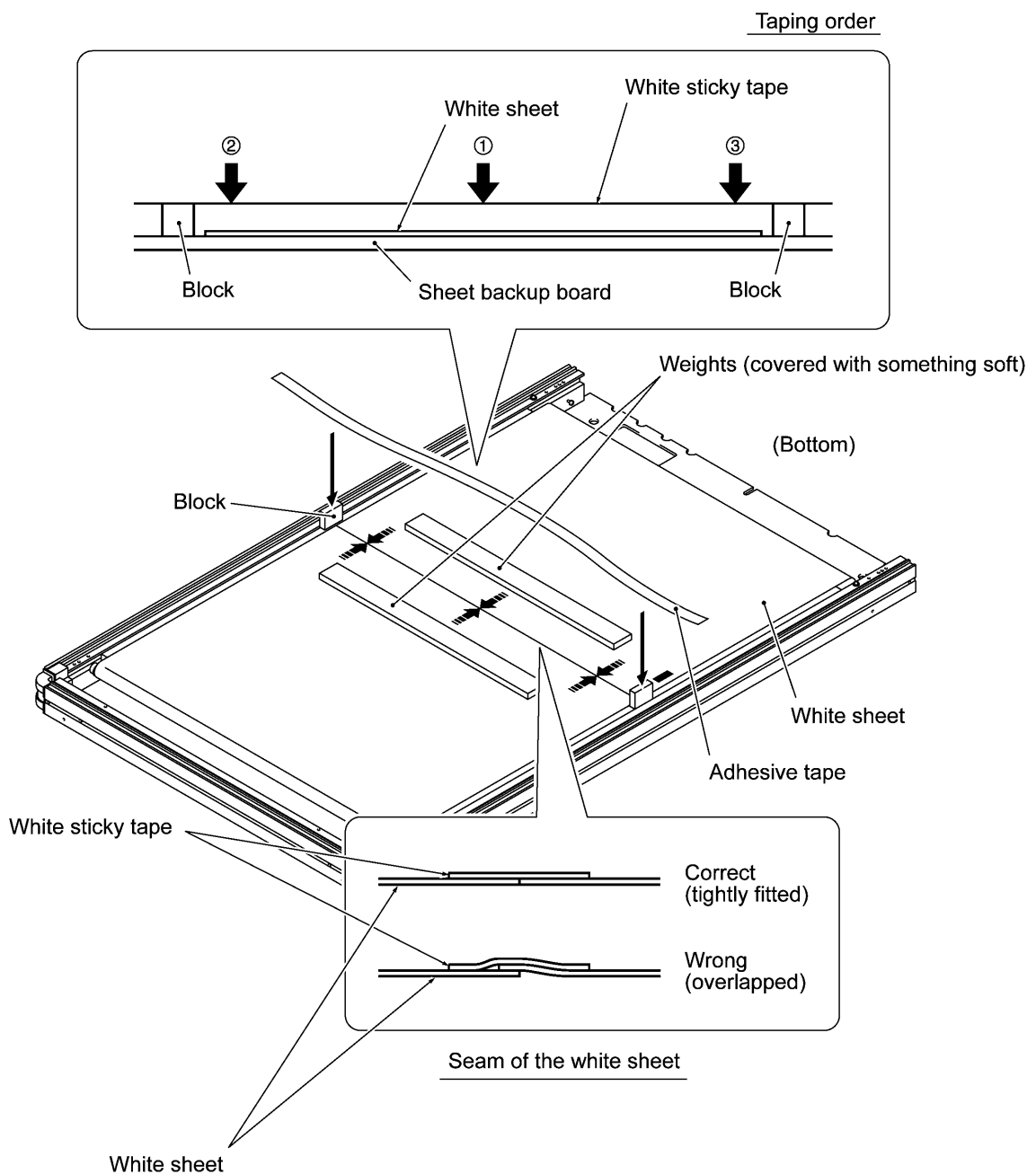


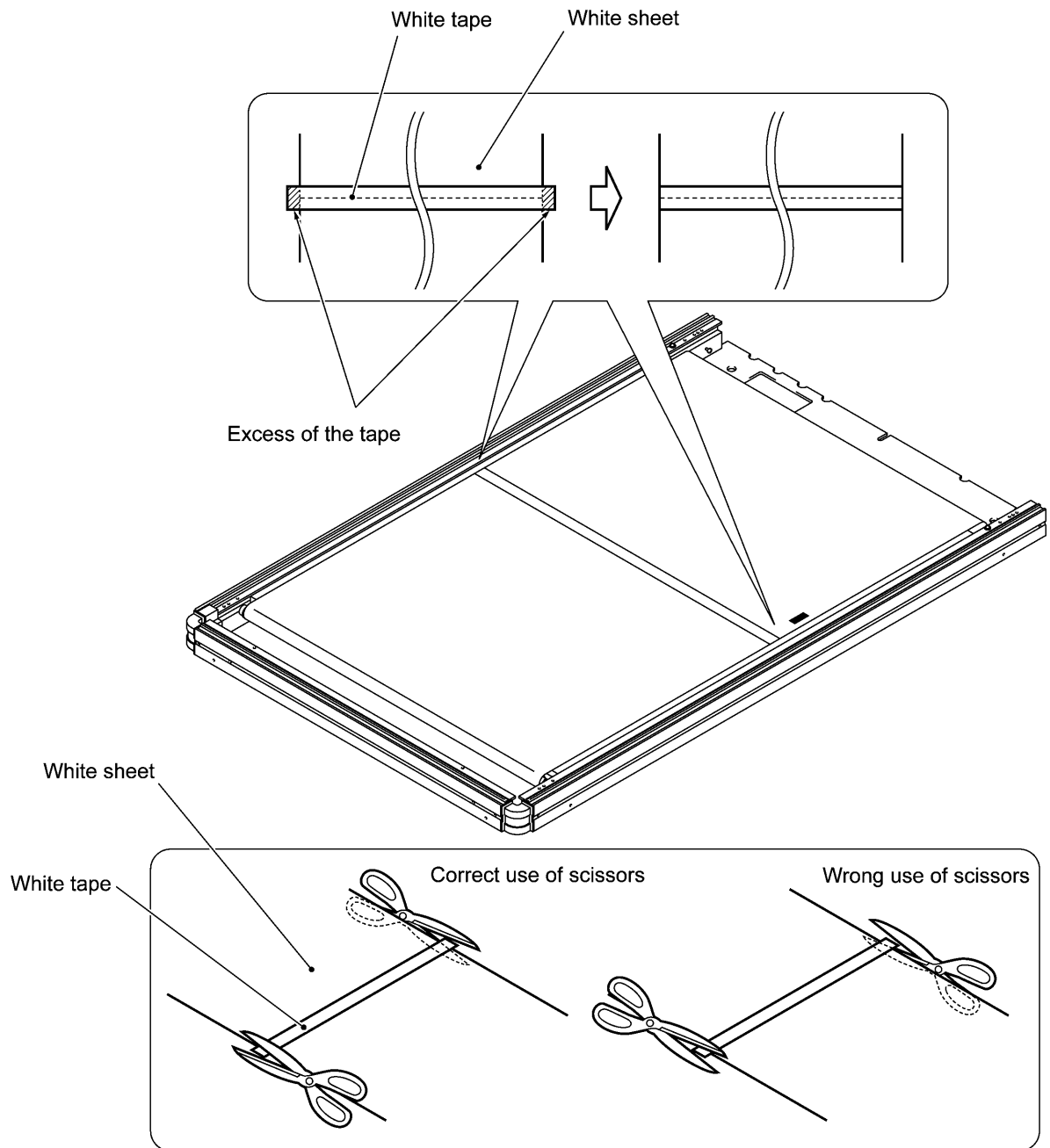
- (8) As illustrated below, fit both edges of the new white sheet to each other and put weights (which should be covered with felt or something soft).
- (9) Tape the seam of the white sheet.

NOTE: Use 10-mm-wide white sticky tape, 631S-50 (Teraoka Seisakusho Co., Ltd.) or its equivalent.

TIP: For easier taping, as illustrated below, first put a block at each of the right and left ends of the seam, cut a strip of the white sticky tape longer than the width of the white sheet, and temporarily attach the tape to those blocks. Push the tape down to the seam of the white sheet at three points \bullet , \circ , and f , and then press the entire tape along the seam.

After that, cut off the excess of the tape at the right and left ends of the seam. Use scissors as shown on the next page so that you will not mistakenly cut the white sheet or leave any excess of the tape.





n Reassembling notes

- When sliding the side covers back into place, take care not to damage the CIS harnesses.
- When securing the side covers, first temporarily tighten the three screws at each side cover. After securing the corner covers, center the side covers relative to those corner covers and then tighten those screws firmly.

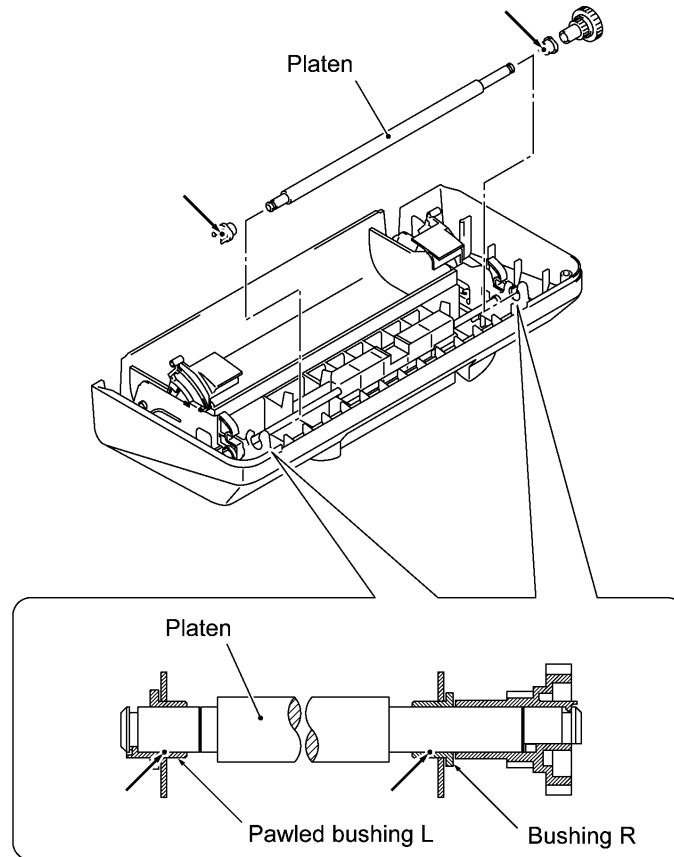
3.2 LUBRICATION

Apply the specified lubricant to the lubrication points as shown below.

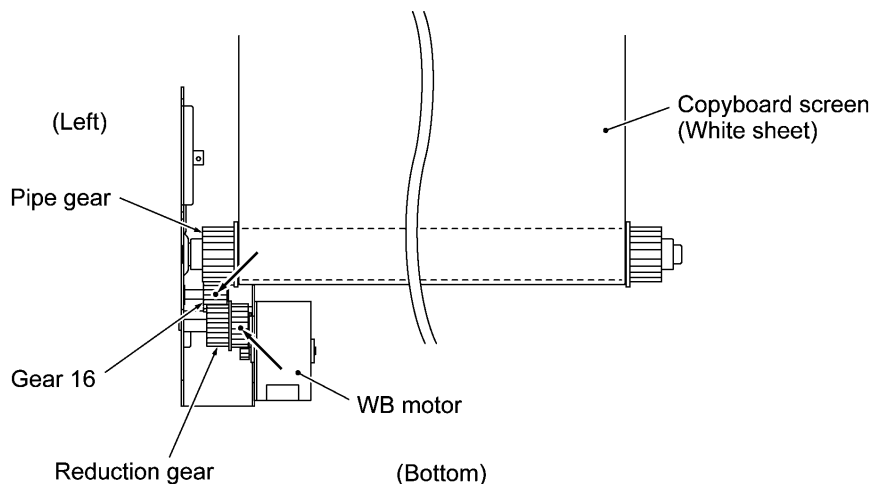
Lubricant type (Manufacturer): Molykote grease EM-30L or EM-30LG (Dow Corning)

Lubricant amount: Rice-sized pinch of grease (6 mm³)

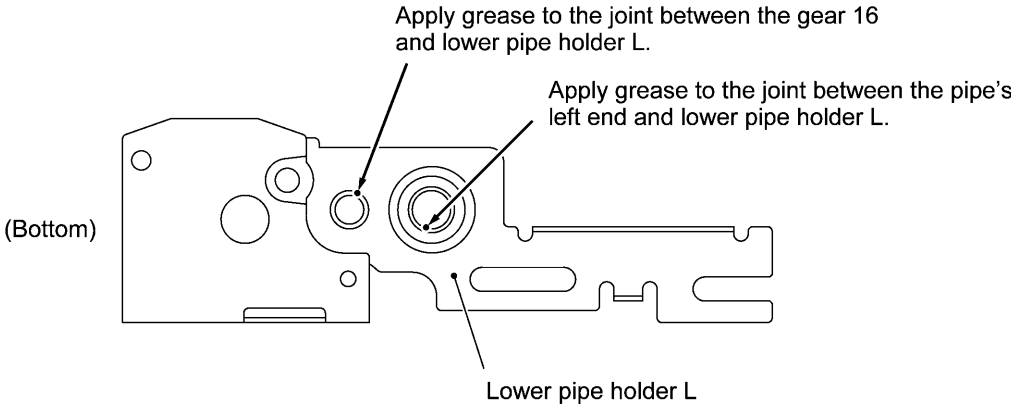
[1] Joints between the platen shaft and its bushings



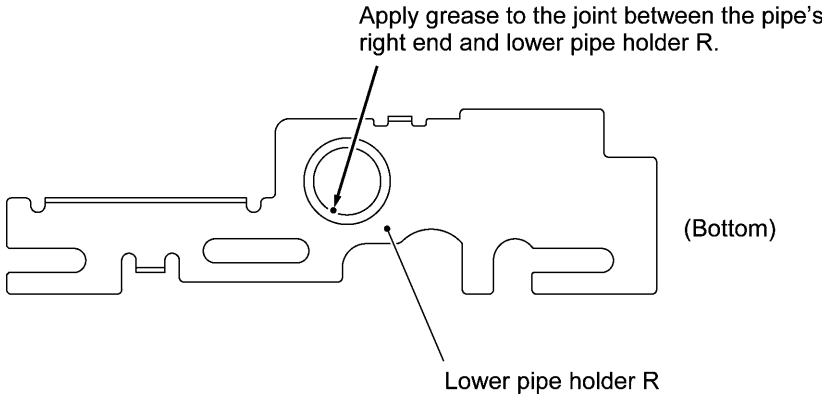
[2] WB motor related gears on the lower pipe holder L



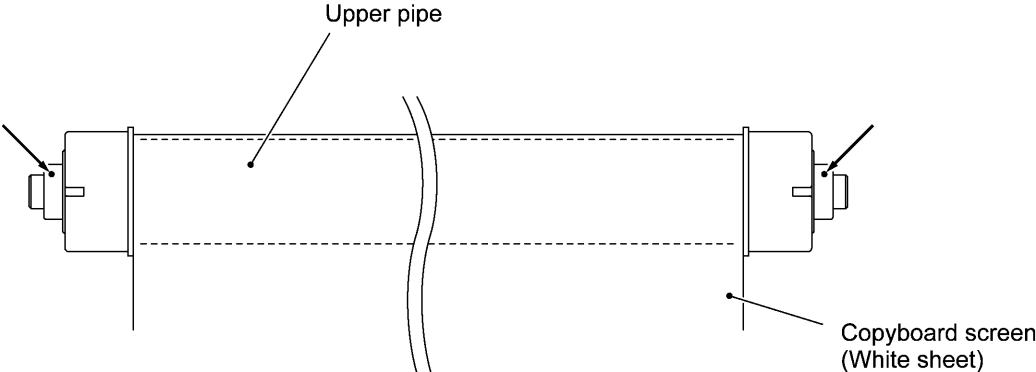
[3] Lower pipe holder L



[4] Lower pipe holder R



[5] Upper pipe shaft



CHAPTER IV.

MAINTENANCE MODE

CHAPTER IV. MAINTENANCE MODE

CONTENTS

4.1	ENTRY INTO THE MAINTENANCE MODE.....	IV-1
4.2	LIST OF MAINTENANCE-MODE FUNCTIONS.....	IV-2
4.3	DETAILED DESCRIPTION OF MAINTENANCE-MODE FUNCTIONS.....	IV-3
4.3.1	Setting of the scanning compensation parameters stored in the EEPROM (involving home positioning of the copyboard screen) [Function code 55].....	IV-3
4.3.2	Scanning contrast adjustment [Function code 07].....	IV-4
4.3.3	Automatic setting of the scanning compensation parameters stored in the EEPROM [Function code 02].....	IV-5
4.3.4	Dump (including page length setting, error code, and scanning compensation data) [Function code 05].....	IV-6
4.3.5	Test pattern print [Function code 09].....	IV-8
4.3.6	Operational check of keys and LEDs on the control panel [Function code 13].....	IV-9
4.3.7	Sensor operational check and EEPROM customization (for page length) [Function code 32].....	IV-9

4.1 ENTRY INTO THE MAINTENANCE MODE

To make the machine enter the maintenance mode:

- (1) Open the paper compartment cover. The **PAPER** LED comes on.
- (2) Hold down the following two keys at the same time for at least 15 seconds:
 - **COPY ALL** and **FEED** keys or
 - **COPY** and **FEED** keys

Which key combination should be selected depends upon the maintenance-mode functions you want to access.

The **ERROR** LED flashes.

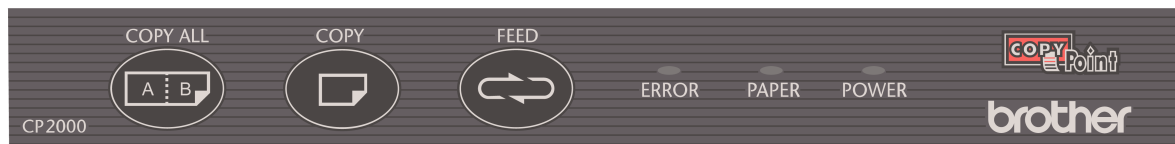
When the **PAPER** LED is on and the **ERROR** LED is flashing, the machine is in the initial stage of the maintenance mode.

To select one of the maintenance-mode functions listed in Section 4.2, keep the paper compartment cover opened or close it (depending upon the maintenance-mode functions you want to access) and then press the specified key. The details of each maintenance-mode function are described in Section 4.3.

To make the machine exit from the maintenance mode:

- (1) Close the paper compartment cover.
- (2) Press the **FEED** key in the initial stage of the maintenance mode. The machine will return to the regular operation mode.

NOTE: If no keys are pressed for 10 seconds in the initial stage of the maintenance mode, the machine will automatically exit from the maintenance mode and return to the regular operation mode.



4.2 LIST OF MAINTENANCE-MODE FUNCTIONS

Maintenance-mode Functions

Entry	Paper compartment cover	Press:	Function	Refer to:
Open the paper compartment cover. Hold down COPY ALL and FEED keys for 15 seconds.	Opened	COPY ALL key	Setting of the scanning compensation parameters stored in the EEPROM (involving home positioning of the copyboard screen) [Function code 55]	Sect. 4.3.1
		COPY key	Scanning contrast adjustment [Function code 07]	Sect. 4.3.2
		FEED key	Automatic setting of the scanning compensation parameters stored in the EEPROM [Function code 02]	Sect. 4.3.3
	Closed	COPY ALL key	Dump (including page length setting, error code, and scanning compensation data) [Function code 05]	Sect. 4.3.4
		COPY key	Test pattern print [Function code 09]	Sect. 4.3.5
		FEED key	Exit from the maintenance mode	
Open the paper compartment cover, then press COPY and FEED keys for 15 seconds.	Opened	COPY ALL key	<i>Reserved. (Never use this function.)</i>	
		COPY key	Operational check of keys and LEDs on the control panel [Function code 13]	Sect. 4.3.6
		FEED key	Sensor operational check and EEPROM customization (for page length) [Function code 32]	Sect. 4.3.7
	Closed	COPY ALL key	Exit from the maintenance mode	
		COPY key	Exit from the maintenance mode	
		FEED key	Exit from the maintenance mode	

4.3 DETAILED DESCRIPTION OF MAINTENANCE-MODE FUNCTIONS

4.3.1 Setting of the scanning compensation parameters stored in the EEPROM (involving home positioning of the copyboard screen) [Function code 55]

n Function

The machine performs home-positioning of the copyboard screen (using black HP marks on the screen) and sets the scanning compensation parameters registered in the EEPROM.

n Operating Procedure

- (1) Open the paper compartment cover and hold down the **COPY ALL** and **FEED** keys for 15 seconds.
- (2) Press the **COPY ALL** key with the paper compartment cover opened.

The machine checks whether either of the two black HP marks on the copyboard screen is placed in the home position (i.e. in the scanning position). If neither mark is in the home position, the machine scrolls up the copyboard screen until either mark comes to the home position.

After detection of either black HP mark, the machine flashes the **PAPER** LED and starts setting the scanning compensation parameters in the EEPROM.

Upon completion of parameter setting, the machine turns the **PAPER** LED off and returns to the regular operation mode.

If any error occurs during this procedure, the machine prints out an error code and returns to the regular operation mode.

4.3.2 Scanning contrast adjustment [Function code 07]

n Function

This function allows you to adjust the scanning contrast to five levels from 0 to 4 for monochrome scanning. The contrast level refers to the threshold value of brightness to be applied for 2-value quantization when the CIS scans images drawn on the copyboard screen.

The default scanning level is 2.

n Operating Procedure

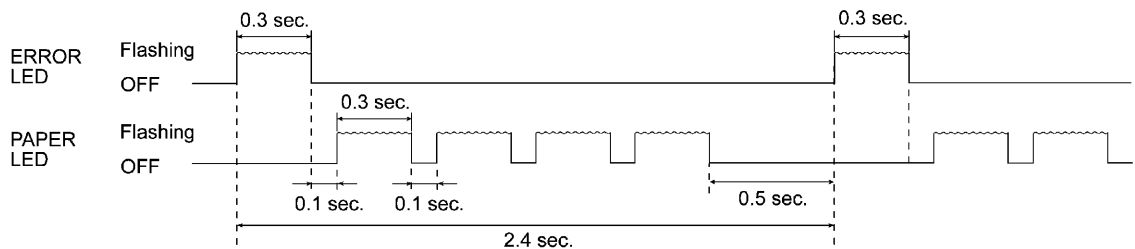
- (1) Open the paper compartment cover and hold down the **COPY ALL** and **FEED** keys for 15 seconds.
- (2) Press the **COPY** key with the paper compartment cover opened.
The **ERROR** LED stops flashing for one second and then starts flashing again.
- (3) Press the **COPY** key to show the current scanning contrast.

Then, the machine shows the current contrast by using the **ERROR** and **PAPER** LEDs as shown below.

Contrast Indication by **ERROR** and **PAPER** LEDs

If the LEDs flash in the cycle below:	The current contrast level is:	
ERROR ON once and PAPER ON four times*	0	(Light)
ERROR ON two times and PAPER ON three times	1	↑ ↓
ERROR ON three times and PAPER ON two times	2	
ERROR ON four times and PAPER ON once	3	
ERROR ON five times	4	

(*Example: Contrast level 0)



- (4) To decrease the contrast, press the **COPY ALL** key; to increase it, press the **FEED** key.
- (5) Press the **COPY** key.

The new setting will be fixed and the machine returns to the regular operation mode.

4.3.3 Automatic setting of the scanning compensation parameters stored in the EEPROM [Function code 02]

n Function

This function allows you to make automatic setting of the scanning compensation parameters so that the machine will automatically start home-positioning of the copyboard screen and set the scanning compensation parameters stored in the EEPROM as described in Section 4.3.1 at the next powering-on time.

You need to use this function when you replace the main PCB but cannot set the scanning compensation parameters in the EEPROM since only the printer is received for repair.

When the repaired printer is returned to the user and he/she turns on the power, the machine will automatically start home-positioning and set the scanning compensation parameters without bothering him/her.

n Operating Procedure

At the service site:

- (1) Open the paper compartment cover and hold down the **COPY ALL** and **FEED** keys for 15 seconds.
- (2) Press the **FEED** key with the paper compartment cover opened.

The machine writes the automatic scanning parameter setting code into the EEPROM and returns to the regular operation mode.

At the user site:

- (1) Power on the machine.

The machine automatically starts home positioning of the copyboard screen and sets the scanning compensation parameters in the EEPROM. (Refer to Section 4.3.1, Operating Procedure, (2).) After that, the machine will clear the automatic scanning parameter setting code.

If any error occurs during this procedure, the machine scrolls the copyboard screen again until it detects another black HP mark and tries to set the scanning compensation parameters again. If the error still persists, the machine scrolls the copyboard screen again until it detects another black HP mark, prints an error code, and then returns to the regular operation mode. The automatic scanning parameter setting code will not be cleared.

4.3.4 Dump (including page length setting, error code, and scanning compensation data) [Function code 05]

n Function

This function prints out the following data:

- Page length setting for recording paper
- Error code
- Scanning compensation data

n Operating Procedure

- (1) Open the paper compartment cover and hold down the **COPY ALL** and **FEED** keys for 15 seconds.
- (2) Close the paper compartment cover and press the **COPY ALL** key.

The machine prints out the following:

- Page length setting for recording paper

PAPER SIZE LETTER (if the letter size is selected)
PAPER SIZE A4 (if the A4 size is selected)

- Error code

ERR=xx (where xx denotes the latest error code. For details, refer to Chapter V.)

- Scanning compensation data

- a) White level data for green LEDs in CIS0 (66 bytes)
- b) White level data for green LEDs in CIS1 (72 bytes)
- c) White level data for green LEDs in CIS2 (63 bytes)
- d) White level data for red LEDs in CIS0 (66 bytes)
- e) White level data for red LEDs in CIS1 (72 bytes)
- f) White level data for red LEDs in CIS2 (63 bytes)
- g) Clamp PWM value (2 bytes)
- h) Gain PWM value (12 bytes for green and red images, 6 bytes/color)
- i) Compensation coefficient data for background color (12 bytes for green and red LEDs, 2 bytes/color/CIS)

Upon completion of printout, the machine returns to the regular operation mode.

NOTE: If any data is abnormal, its code will be printed in inline style, as shown on the next page.

NOTE: All bytes of codes in d), e) and f), the last six bytes of codes in h), and the last three bytes of codes in i) might be printed in inline style as abnormal; however, they can be ignored for machines not supporting red & black copying. Those compensation data are needed for red & black copying.

PAPER SIZE
ERR=AB

LETTER

- a) 5F01 : 1D 20 23 20 1D 1A 1C 1F 1D 1C 23 26 29 25 00 21
 5F11 : 1D 1A 18 1B 18 1A 23 26 29 26 23 20 1C 1A 1E 23
 5F21 : 1E 20 22 2C 2F 2C 29 26 1E 1F 1C 21 1D 1F 23 26
 5F31 : 28 24 22 1A 17 15 16 1F 1C 1A 1A 1A 1B 18 17 18
 5F41 : 16 13
- b) 5F43 : 13 21 1B 18 1C 1F 24 27 28 28 23 20 23 27 25 27
 5F53 : 2E 35 36 31 2E 29 22 20 22 28 24 25 2F 33 37 35
 5F63 : 32 2A 25 22 24 31 2B 2D 35 3D 3D 36 31 2B 25 23
 5F73 : 1D 23 22 24 29 2D 2F 2A 28 24 1E 1B 19 21 1F 1E
 5F83 : 1D 1C 1B 19 19 19 19
- c) 5F8B : 18 2B 23 1E 25 25 29 2A 2B 2C 26 24 2C 2C 15 17
 5F9B : 30 38 39 33 2E 2C 24 22 2A 2B 29 29 35 3C 3F 3C
 5FAB : 37 30 28 25 2C 34 2E 2F 39 3D 3A 34 31 2C 26 24
 5FBB : 26 2D 28 2A 30 33 35 31 2D 28 21 1E 21 2B 25
- d) 5F01 : 20 21 20 1F 22 1E 1A 22 23 23 2A 2E 2C 26 21 22
 5F11 : 23 1F 18 1F 21 1F 27 29 29 27 22 21 23 1E 1E 24
 5F21 : 25 24 2B 2C 2F 2B 24 24 25 1F 1A 1F 20 1F 23 24
 5F31 : 25 21 20 1C 1F 19 18 1C 1D 19 1A 16 16 1A 19 17
 5F41 : 16 13
- e) 5F43 : 19 27 27 24 27 26 2A 2A 26 24 27 24 24 2C 2F 2F
 5F53 : 39 3A 37 2F 29 28 2C 25 21 2A 2F 2A 32 37 39 35
 5F63 : 2C 29 2C 25 24 2D 30 2D 36 3A 3F 38 2F 2E 2F 26
 5F73 : 21 25 27 24 29 29 2A 26 22 1F 20 1B 19 1F 1E 1B
 5F83 : 1A 17 18 19 1B 1A 19 18
- f) 5F8B : 1A 2C 2E 2E 30 2E 2E 2C 28 27 2B 27 1B 11 25 30
 5F9B : 3C 3B 39 32 2C 2B 2F 2B 23 2B 31 30 3A 3E 3F 3A
 5FAB : 30 2D 31 2B 25 2E 31 31 3B 3F 3F 39 31 2F 32 2A
 5FBB : 22 27 29 29 30 31 32 2E 2A 26 28 23 1F 26 27
- g) 5F00 : 42 00
- h) 5F00 : 6C 51 55 00 00 00 6A 51 53 00 00 00
- i) 5F00 : 00 00 00 00 00 00

Dump List

4.3.5 Test pattern print [Function code 09]

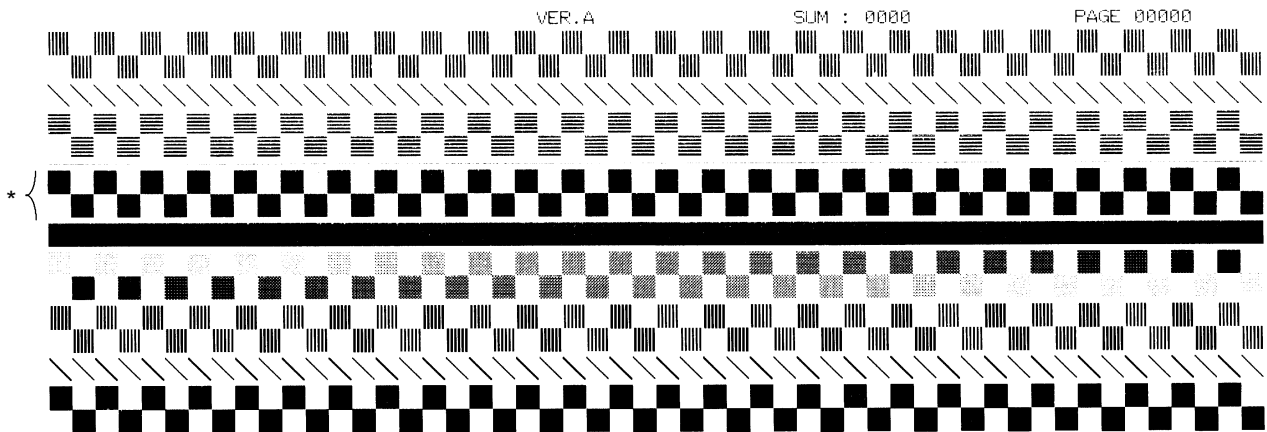
n Function

This function, much like the copying function, prints out a test pattern to allow you to check for record data missing or print quality.

n Operating Procedure

- (1) Open the paper compartment cover and hold down the **COPY ALL** and **FEED** keys for 15 seconds.
- (2) Close the paper compartment cover and press the **COPY** key.

The machine prints out the specified test pattern as shown below. Upon completion of printing, the machine returns to the regular operation mode.



Test Pattern

* Check these two rows of patterns for print quality. Ignore other rows of patterns. The print should be free from faint section, white streaks, and black streaks and printed uniformly in black.

4.3.6 Operational check of keys and LEDs on the control panel [Function code 13]

n Function

This function allows you to check the keys and LEDs on the control panel.

n Operating Procedure

- (1) Open the paper compartment cover and hold down the **COPY** and **FEED** keys for 15 seconds.
- (2) Press the **COPY** key with the paper compartment cover opened.
The **ERROR** and **PAPER** LEDs start flashing at 0.5-second intervals alternately.
- (3) Press the **COPY ALL** key.
The **PAPER** LED goes off but the **ERROR** LED keeps flashing.
- (4) Press the **COPY** key.
The **ERROR** LED goes off and the **PAPER** LED starts flashing.
- (5) Press the **FEED** key.
The **PAPER** LED goes off.
The machine returns to the regular operation mode.

4.3.7 Sensor operational check and EEPROM customization (for page length) [Function code 32]

n Function

This function allows you to check whether the PE/cover sensor works correctly. After checking the sensor, you select letter or A4 size for page length.

n Operating Procedure

- (1) Open the paper compartment cover and hold down the **COPY** and **FEED** keys for 15 seconds.
- (2) Press the **FEED** key with the paper compartment cover opened.
The **PAPER** LED should come on.
- (3) Load paper, then close or open the paper compartment cover to check that the **PAPER** LED goes off or comes on, respectively.
Remove or set the recording paper to check that the **PAPER** LED comes on or goes off, respectively.
- (4) Press the **COPY** key.
The **ERROR** LED should come on if it was off.
The **ERROR** LED should go off if it was on.
Before proceeding to the following steps, fix the sensor problem (if any) and check that the **ERROR** LED goes off.

- (5) Make sure paper is loaded and close the paper compartment cover. Check that both the **ERROR** and **PAPER** LEDs go off.
- (6) To set A4 size, press the **COPY ALL** key.
To set letter size, press the **FEED** key.
Both the **ERROR** and **PAPER** LEDs come on.
- (7) Press the **COPY** key to deactivate the R & B copying function*.
(*The programs support the R & B copying function, but the current CIS units do not. Therefore, if you press the **COPY ALL** key instead of the **COPY** key so as to activate the R & B copying function, an error will occur in the scanning test, disabling the machine.)
Both the **ERROR** and **PAPER** LEDs go off and the machine returns to the regular operation mode.
- (8) To check that the correct page length is set, print out a dump list (refer to Subsection 4.3.4).
- (9) To make sure that the R & B copying function is deactivated, press the **COPY ALL** key after performing the above procedure. If images on two sides of the copyboard screen are printed out, the R & B copying function has been deactivated; if images on a single side only is printed out or a scanning error occurs, then the R & B copying function has been enabled, so you need to perform the above procedure again.

CHAPTER V.
ERROR INDICATION AND
TROUBLESHOOTING

CONTENTS

5.1 ERROR INDICATION	V-1
5.1.1 Intermittent Errors	V-1
5.1.2 Fatal Errors.....	V-2
5.1.3 Main PCB Uncustomized Error	V-2
5.2 TROUBLESHOOTING.....	V-3
5.2.1 Introduction.....	V-3
5.2.2 Locating a printer or copyboard failure ---Important---	V-3
<u>Read This First</u> User Setup Guide for Repaired Machine	V-4
5.2.3 Precautions.....	V-5
5.2.4 Checking prior to Troubleshooting.....	V-5
5.2.5 Troubleshooting Procedures	V-6
[1] Control panel related.....	V-6
[2] Copyboard screen scrolling related.....	V-7
[3] Recording paper feeding related	V-7
[4] Copy-image related.....	V-8
[5] PC interface related	V-11

5.1 ERROR INDICATION

To help the user or the service personnel promptly locate the cause of a problem (if any), the machine incorporates the self-diagnostic functions which show intermittent errors and fatal errors.

5.1.1 Intermittent Errors

If an intermittent error occurs, the machine stores the error code into the EEPROM on the main PCB. The latest error code can be printed out onto the recording paper by using the dump feature (Function code 05) described in Subsection 4.3.4. The table below lists error codes which would be printed out by the feature.

Error code	Probable causes	LED
8B	Recording head overheated, according to the internal resistance of the thermistor.	ERROR ON
A1	No recording paper loaded or the paper compartment cover opened, according to the PE/cover sensor.	PAPER ON
(A4	Faulty of white level data.)	
AB	Home positioning of the copyboard screen failed. (The CIS cannot detect either of the black HP marks on the screen.)	
(B1	Upper limit of clamp PWM value.)	
(B2	Lower limit of clamp PWM value. This error occurs also if interference light comes into the CIS units.)	
(B3	Upper limit of gain PWM value. This error occurs also if the printer-copyboard interface cable is not connected.)	
(B4	Lower limit of gain PWM value.)	
E6	Write error in EEPROM.	
F6	PC interface error.	

NOTE: Errors enclosed with parentheses in the above table can be printed out only during setting of the scanning compensation parameters stored in the EEPROM (Function code 55 in Subsection 4.3.1).

Out of the above errors, errors 8B and A1 will stop the operation and cause the **ERROR** and **PAPER** LEDs to come on, respectively, signaling user intervention is required. Other errors will not affect the subsequent operation.

5.1.2 Fatal Errors

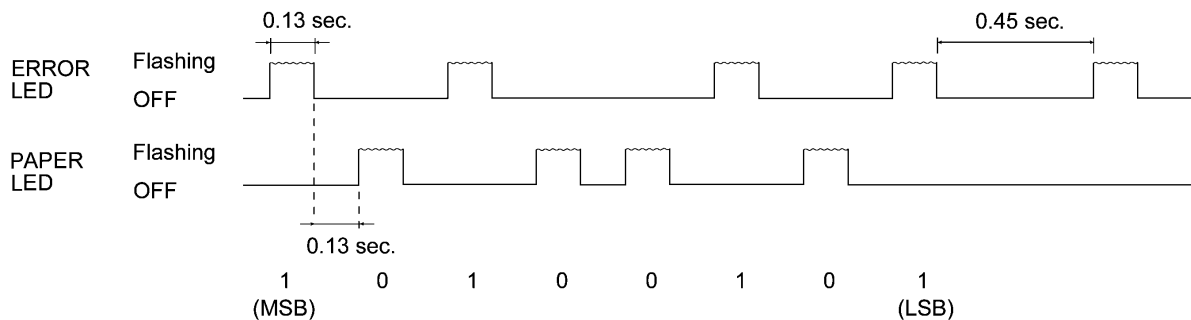
Listed below are fatal errors. If a fatal error occurs, the machine may fail to store the error code into the EEPROM or output it to the recording paper. To signal the fatal error, therefore, the machine employs flash codes using the **ERROR** and **PAPER** LEDs in the following way to indicate the error code in eight bits with the MSB first.

Error code	Probable causes
55	Write error into the work area of the RAM.
A5	Access to the EEPROM impossible.

Interpretation of flash codes using the **ERROR** and **PAPER** LEDs

If the **ERROR** LED flashes once, interpret it as "1"; if the **PAPER** LED flashes once, interpret it as "0."

For example, error code A5 is expressed as "10100101" in eight bits with the MSB first, so the **ERROR** and **PAPER** LEDs will flash as follows:



5.1.3 Main PCB Uncustomized Error

In any of the following cases, a main PCB uncustomized error will occur and the machine will enter the in-process inspection mode.

- (1) A new main PCB (not a used board) is installed.
- (2) The "Reserved" function (listed in Chapter IV, Section 4.2) in the maintenance mode is mistakenly activated.

If the machine enters the in-process inspection mode (in which a sequence of the checks will be automatically made), the **ERROR** and **PAPER** LEDs will flash at 0.5-second intervals. To exit this mode, press the **COPY**, **FEED**, **COPY ALL**, **FEED**, **COPY ALL**, and **COPY** keys in this order quickly. The **ERROR** and **PAPER** LEDs will go off.

5.2 TROUBLESHOOTING

5.2.1 Introduction

This section gives the service personnel some of the troubleshooting procedures to be followed if an error or malfunction occurs with the machine. It is impossible to anticipate all of the possible problems which may occur in future and determine the troubleshooting procedures, so this section covers some sample problems. However, those samples will help service personnel pinpoint and repair other defective elements if he/she analyzes and examines them well.

5.2.2 Locating a printer or copyboard failure --- *Important* ---

This machine is so designed that the printer can be easily separated from the copyboard. If it is apparent that the printer is faulty, therefore, the user may remove it from the copyboard and send it to the service station.

Test pattern print (Function code 09)

To check whether the printer is faulty, use the test pattern print function (Function code 09 in Subsection 4.3.5). The service personnel may print a test pattern by himself/herself or instruct the user by phone to do it.

If the printed test pattern is abnormal, the printer is faulty; if normal, the scanner in the copyboard may be faulty so that both the printer and copyboard should be brought to the service station.

Automatic setting of the scanning compensation parameters (Function code 02)

If you replace the main PCB, you need to set the scanning compensation parameters in the EEPROM (Function code 55 in Subsection 4.3.1). However, if only the printer has been brought to the service station, you cannot do it. In such a case, make automatic setting of the scanning compensation parameters (Function code 02 in Subsection 4.3.3).

User setup guide for repaired machine

If you make automatic setting of the scanning compensation parameters, the machine will automatically start home-positioning of the copyboard screen and set the scanning compensation parameters stored in the EEPROM when the user powers on the repaired machine first after reception.

You need to tell the user what will automatically happen when he/she powers on the machine, for preventing the user from worrying unnecessarily. The automatic operation may take approx. three minutes during which the **PAPER** LED flashes.

If the machine fails to set the scanning compensation parameters, it will print out an error sheet. If it happens repeatedly, instruct the user to clean the copyboard screen in the vicinity of the home positions and the scanner (CIS units) according to the User's Manual, "Maintenance."

On the next page is a sample of a user setup guide. It is recommended that you prepare such a note translated into the corresponding language and attach it to the repaired printer at the time of returning.

Read This First

User Setup Guide for Repaired Machine

Thank you very much for your patronage. We have repaired your printer and are sending it back to you.

To ensure you get the most out of the performance in the machine, follow all instructions given below.

- (1) Clean the whole surface of the looped copyboard screen while scrolling it slowly by hand. If stains cannot be wiped off easily, use a soft cloth dampened with water.
- (2) Connect the printer to the copyboard and set up the machine according to the setting-up instructions given in the User's Manual. Make sure that the printer-copyboard interface cable and the AC adapter cable are plugged in firmly.
- (3) Load the recording paper to the printer. Check that it is not slack.
- (4) Turn the power on.

The machine automatically scrolls the copyboard screen for home positioning and starts setting the scanning compensation parameters stored in the EEPROM. This automatic operation may take approx. three minutes during which the **PAPER** LED flashes.

- (5) Upon completion of the automatic setting, the machine turns off the **PAPER** LED and returns to the regular operation mode.
- (6) If the machine fails to set those parameters, it will print out an error sheet.
If ERR=A4, go to step (7).
If ERR=AB, skip to step (8).
If ERR=B3, go back to step (2).
- (7) Turn the power off and check the copyboard screen for stains. Then repeat steps (2) through (4).

If the error still persists, power off the machine and clean the scanner (CIS units) according to the User's Manual, "Maintenance, Cleaning the scanner." And then repeat steps (1) through (4) again.

If the error still persists, the scanner components may be defective. With the error sheet close at hand, call the telephone number given below.
- (8) Turn the power off. Turn the power on and check that the copyboard screen scrolls normally. If any abnormal noise is heard or the scrolling speed is abnormally low, the screen drive components may be defective. With the error sheet close at hand, call the telephone number given below.

If the copyboard screen scrolls normally, go back to step (7).

TEL NO.: XXX-XXX-XXXX (telephone number of the service station)

5.2.3 Precautions

Be sure to observe the following to prevent the secondary troubles from happening:

- (1) Always unplug the AC cord from the outlet when removing the covers and PCBs, adjusting the mechanisms, or conducting continuity testing with a circuit tester.
- (2) When disconnecting the connectors, do not pull the lead wires but hold the connector housings.
- (3)
 - Before handling the PCBs, touch a metal portion of the machine to discharge static electricity charged in your body.
 - When repairing the PCBs, handle them with extra care.

After repairing the defective section, be sure to check again if the repaired section works correctly. Also record the troubleshooting procedure so that it would be of use for future trouble occurrence.

5.2.4 Checking prior to Troubleshooting

Prior to proceeding to the troubleshooting procedures given in Subsection 5.2.5, make the following initial checks:

Environmental conditions

Check that:

- (1) The machine is placed on a flat, firm surface.
- (2) The machine is used in a clean environment at or near normal room temperature (10°C to 35°C) with normal relative humidity (45 to 80%).
- (3) The machine is not subjected to rapid change of the ambient temperature. (Moving the machine from a cold place to warm place will cause condensation inside the machine. If it takes place, leave the machine in the warm place for approx. two hours before turning on the power.) Powering on the machine with dew condensation will result in damaged electronic devices.
- (4) The machine is not exposed to direct sunlight or harmful gases.

Power requirements

Check that:

- (1) The power supply specified on the rating plate located on the printer is used. The supply voltage stays within the rating $\pm 10\%$.
- (2) Each voltage level on AC input lines and DC lines is correct.
- (3) All cables and harnesses are firmly connected.
- (4) None of the fuses are blown.

Recording paper

Check that:

- (1) A recommended type of recording paper is used.
- (2) The recording paper is not dampened.
- (3) The recording paper is not slack.

5.2.5 Troubleshooting Procedures

[1] Control panel related

Trouble	Check:
(1) The POWER LED does not come on.	<ul style="list-style-type: none"> Power connection to the printer. (Check the AC cord and adapter's DC cord for disconnection or breakage. Check the AC adapter itself.) Main PCB (DC/DC converter circuit) Panel harness Control panel PCB
(2) The PAPER LED is lit.	<ul style="list-style-type: none"> Paper compartment cover (Is it closed?) Recording paper (Has it run out?) PE/cover sensor actuator
(3) The ERROR LED comes on. In printing Except in printing	<ul style="list-style-type: none"> Unplug the machine and leave it until the thermal recording head cools down. (This error may occur if the print duty is so high that the recording head is overheated.) Thermal recording head Main PCB
(4) Keys disabled.	<ul style="list-style-type: none"> Main PCB Panel harness Control panel PCB
(5) Both the PAPER and ERROR LEDs are flashing.	<ul style="list-style-type: none"> Main PCB (Refer to Subsections 5.1.2 and 5.1.3.)

[2] Copyboard screen scrolling related

Trouble	Check:
(1) Copyboard screen not scrolled.	<ul style="list-style-type: none"> Printer-copyboard interface cable Relay PCB WB motor and its harness Pipe holders and their related parts (Are the gears broken?)
(2) No home positioning of the copyboard screen.	<ul style="list-style-type: none"> Set the scanning compensation parameters stored in the EEPROM. (Function code 55 in Subsection 4.3.1.) CIS units Two black HP marks on the copyboard screen Main PCB
(3) Abnormal noise during scrolling of the copyboard screen.	<ul style="list-style-type: none"> Pipe holders and their related parts (Are the gears broken?) Pipe holder springs (Are they set in place?) Black sheets attached to the piper holders (Are they pasted without any gap?) Sheet backup board (Is it secured with the screws?)
(4) Scrolling of the copyboard screen not smooth.	<ul style="list-style-type: none"> Upper pipe for looseness (Is the CIS frame deformed?)
(5) Low abnormal noise made periodically.	<ul style="list-style-type: none"> Pipes for contamination with grease or sticky dust Flanges and ends of the pipe gears for crack or small bumps
(6) Images (drawn on the copyboard screen) rubbed with any other parts.	<ul style="list-style-type: none"> Spacers sandwiched between the support frames and side frames (Are they set with the triangle marks facing up and pointing towards the white sheet? Refer to Chapter III, Subsection 3.1.2, [1] and [2], pages III-22 and III-26.)

[3] Recording paper feeding related

Trouble	Check:
(1) Recording paper not fed.	<ul style="list-style-type: none"> Recording paper (Any slack?) Printer motor and its harness Drive unit (Are the gears broken?) Main PCB

[4] Copy-image related

If the copied image has any problem in quality, first check whether the problem is due to a scanner failure or printer failure. Print out a test pattern by using the maintenance-mode function (Function code 09 in Subsection 4.3.5) and check for the print quality.

If the printed test pattern has no problem, the scanner is faulty; if it has any problem, the printer is faulty.

Trouble	Action to be taken
(1) Completely blank	<p><u>At the scanner</u></p> <ul style="list-style-type: none"> ┆ Check the following components: <ul style="list-style-type: none"> - CIS units and their harnesses - Relay PCB - Main PCB <p><u>At the printer</u></p> <ul style="list-style-type: none"> ┆ Check the following components: <ul style="list-style-type: none"> - Recording head power harness and signal harness - Thermal recording head and its compression springs - Main PCB
(2) All black	<p>First check the printer-copyboard interface cable for connection.</p> <p><u>At the scanner</u></p> <ul style="list-style-type: none"> ┆ Check the following components: <ul style="list-style-type: none"> - CIS units and their harnesses - Relay PCB - Main PCB <p><u>At the printer</u></p> <ul style="list-style-type: none"> ┆ Check the following components: <ul style="list-style-type: none"> - Thermal recording head - Recording head signal harness - Main PCB

Trouble	Action to be taken
<p>(3) All red (For models supporting red & black copying)</p>	<p><u>At the scanner</u></p> <ul style="list-style-type: none"> Check the following components: <ul style="list-style-type: none"> - CIS units and their harnesses - Relay PCB - Main PCB <p><u>At the printer</u></p> <ul style="list-style-type: none"> Check the following components: <ul style="list-style-type: none"> - Thermal recording head - Recording head signal harness - Main PCB
<p>(4) No printing in red & black possible (For models supporting red & black copying)</p>	<ol style="list-style-type: none"> 1) First check that RedLine Therma PLUS paper is set. 2) Check that the R & B copying function is activated in EEPROM customization (Function code 32 in Subsection 4.3.7). 3) Make a monochrome copy. If it has no problem, the scanner may be defective. <p><u>At the scanner</u></p> <ul style="list-style-type: none"> Check the following components: <ul style="list-style-type: none"> - CIS units - Main PCB <p><u>At the printer</u></p> <ul style="list-style-type: none"> Check the following components: <ul style="list-style-type: none"> - Thermal recording head and its compression springs - Recording head power harness - Main PCB
<p>(5) White vertical streaks</p>	<p><u>At the scanner</u></p> <ul style="list-style-type: none"> Set the scanning compensation parameters in the EEPROM. (Function code 55 in Subsection 4.3.1.) Clean the copyboard screen around the two black HP marks. Check the CIS unit(s). <p><u>At the printer</u></p> <ul style="list-style-type: none"> Clean the thermal recording head with alcohol. Check the thermal recording head.

Trouble	Action to be taken
(6) Black vertical streaks	<p><u>At the scanner</u></p> <ul style="list-style-type: none"> Set the scanning compensation parameters in the EEPROM (Function code 55 in Subsection 4.3.1). Clean the copyboard screen around the two black HP marks. Clean the CIS units. Check the CIS unit(s). <p><u>At the printer</u></p> <ul style="list-style-type: none"> Check the following components: <ul style="list-style-type: none"> - Thermal recording head - Main PCB
(7) Light or dark	<p><u>At the scanner</u></p> <ul style="list-style-type: none"> Check the scanning contrast setting (Function code 07 in Subsection 4.3.2). Set the scanning compensation parameters in the EEPROM (Function code 55 in Subsection 4.3.1). Clean the copyboard screen around the two black HP marks. <p><u>At the printer</u></p> <ul style="list-style-type: none"> Check the following components: <ul style="list-style-type: none"> - Compression springs under the thermal recording head
(8) Image distortion	<p><u>At the scanner</u></p> <ul style="list-style-type: none"> Check the following components: <ul style="list-style-type: none"> - WB motor - Pipe holders and their gears and springs <p><u>At the printer</u></p> <ul style="list-style-type: none"> Check that recording paper is loaded correctly. Check the printer motor. Clean the platen with alcohol.
(9) Blurred image	<p><u>At the scanner</u></p> <ul style="list-style-type: none"> Adjust the gap between the CIS frame and the copyboard screen using positioning jigs. (Refer to Subsection 3.1.2, [1], Reassembly notes.)
(10) Not aligned horizontally	<p><u>At the scanner</u></p> <ul style="list-style-type: none"> Remove the three CIS units from the CIS frame, then reinstall them while pressing each of those units and CIS frame to each other in order to align those units with each other. (Refer to Subsection 3.1.2, [1], Reassembly notes.)

Trouble	Action to be taken
(11) Contrast uneven	<p><u>At the scanner</u></p> <ul style="list-style-type: none"> Check that the CIS units have been replaced with new ones as a set of three units. Even if any one of the three CIS units is defective, replace the three-unit set with a new set.
(12) Scrambled image	<ul style="list-style-type: none"> Check that the three CIS harnesses are joined to the correct connectors on the relay PCB.

[5] PC interface related

If the connected PC cannot receive scanned image from the machine, first make a copy to check whether the scanner of the machine works normally.

If the copy is normal, the problem may be due to the PC interface. Proceed to the following checks:

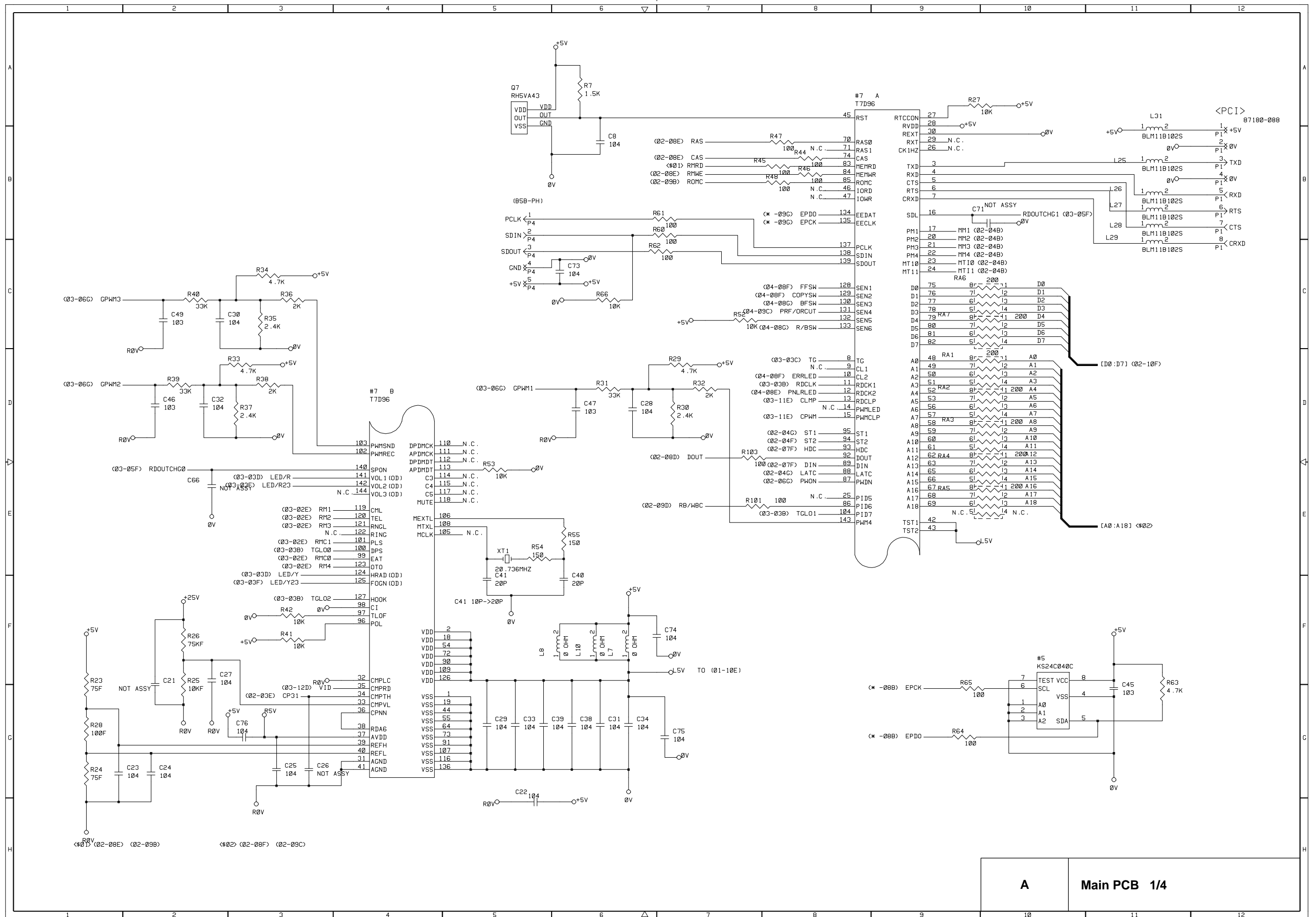
Trouble	Action to be taken
(1) No communication with the PC (The PC cannot recognize the machine.)	<p><u>At the machine</u></p> <ul style="list-style-type: none"> Check the following components: <ul style="list-style-type: none"> - PC interface cable for connection or breakage - Main PCB <p><u>At the PC</u></p> <ul style="list-style-type: none"> Check that the PC interface cable designed for this machine is plugged in the correct connector of the PC. Check that the copyboard driver program is correctly installed to the PC. Check that the serial port of the PC is enabled and recognized by the OS. Check that the transmission speed and protocols are set properly.

CP1800/CP2000/CB200

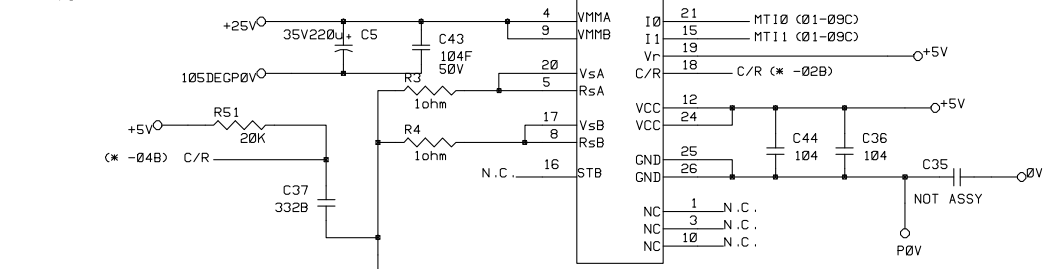
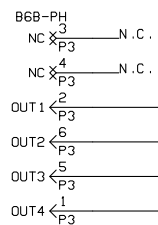
APPENDIX

Circuit Diagrams

- A. Main PCB
- B. Relay PCB

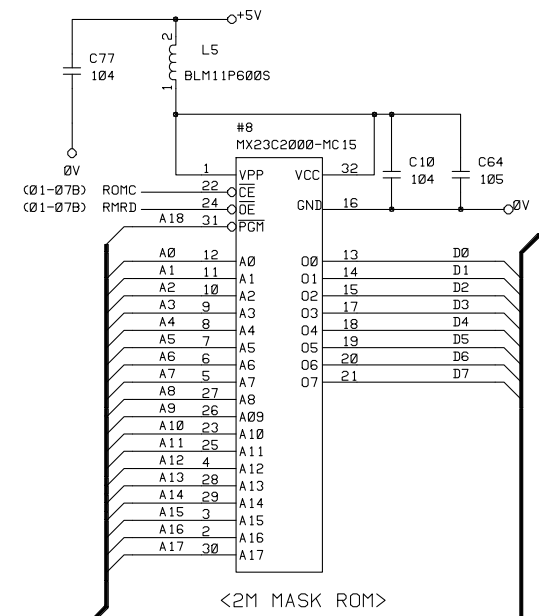


A Main PCB 1/4

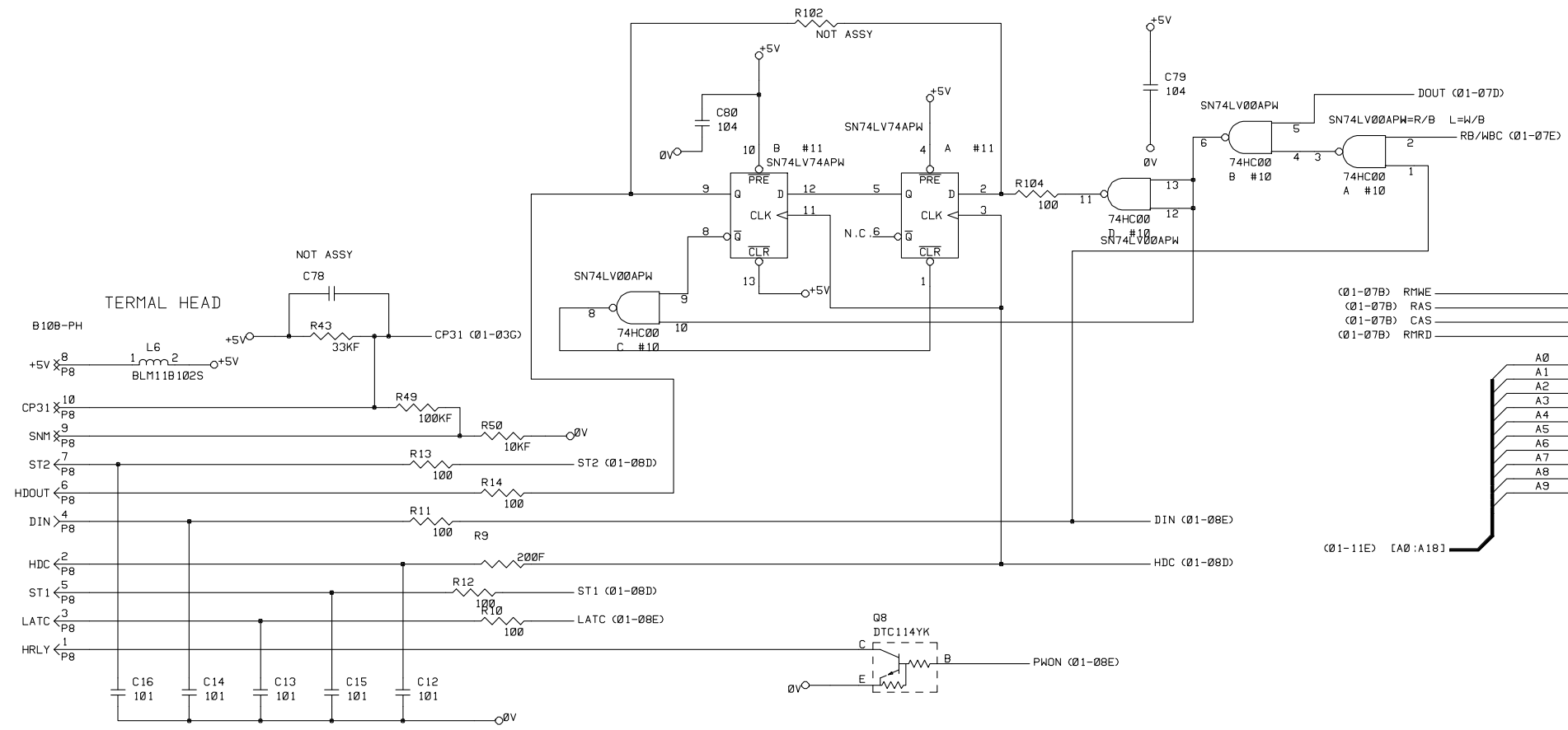


MOTOR FOR PRINTER

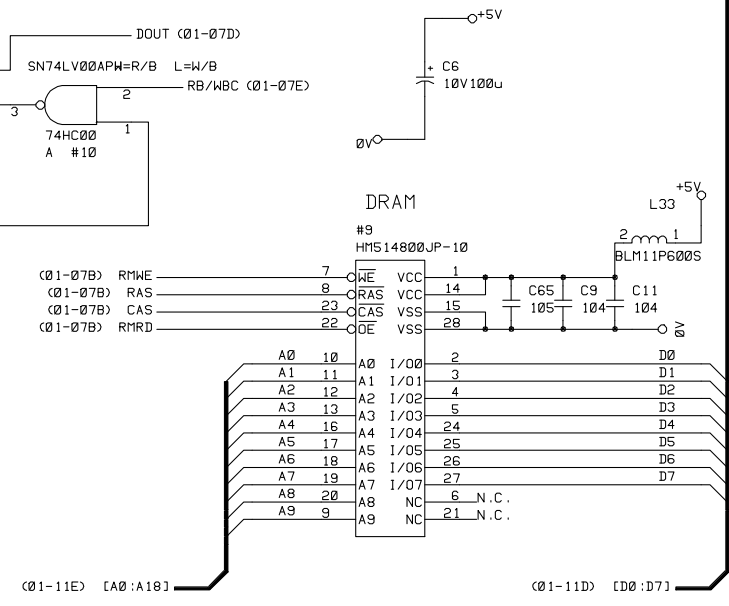
$F = 1 / (0.72 * RT * CT) = 21.043KHz$
 10 11
 0 0 100x
 1 0 70x
 0 1 33x
 1 1 0x



<2M MASK ROM>
 2M mask ROM cable mounted in addition to the mask ROM, too.

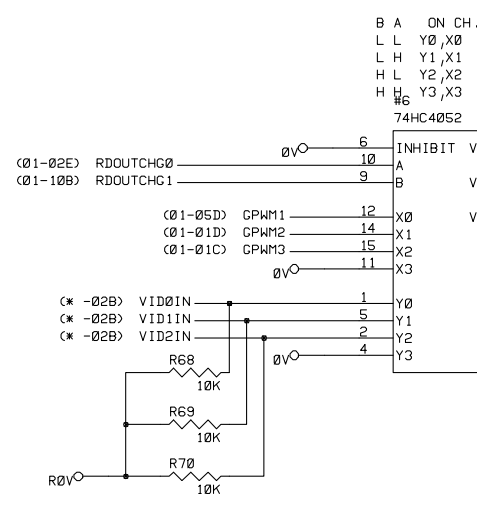
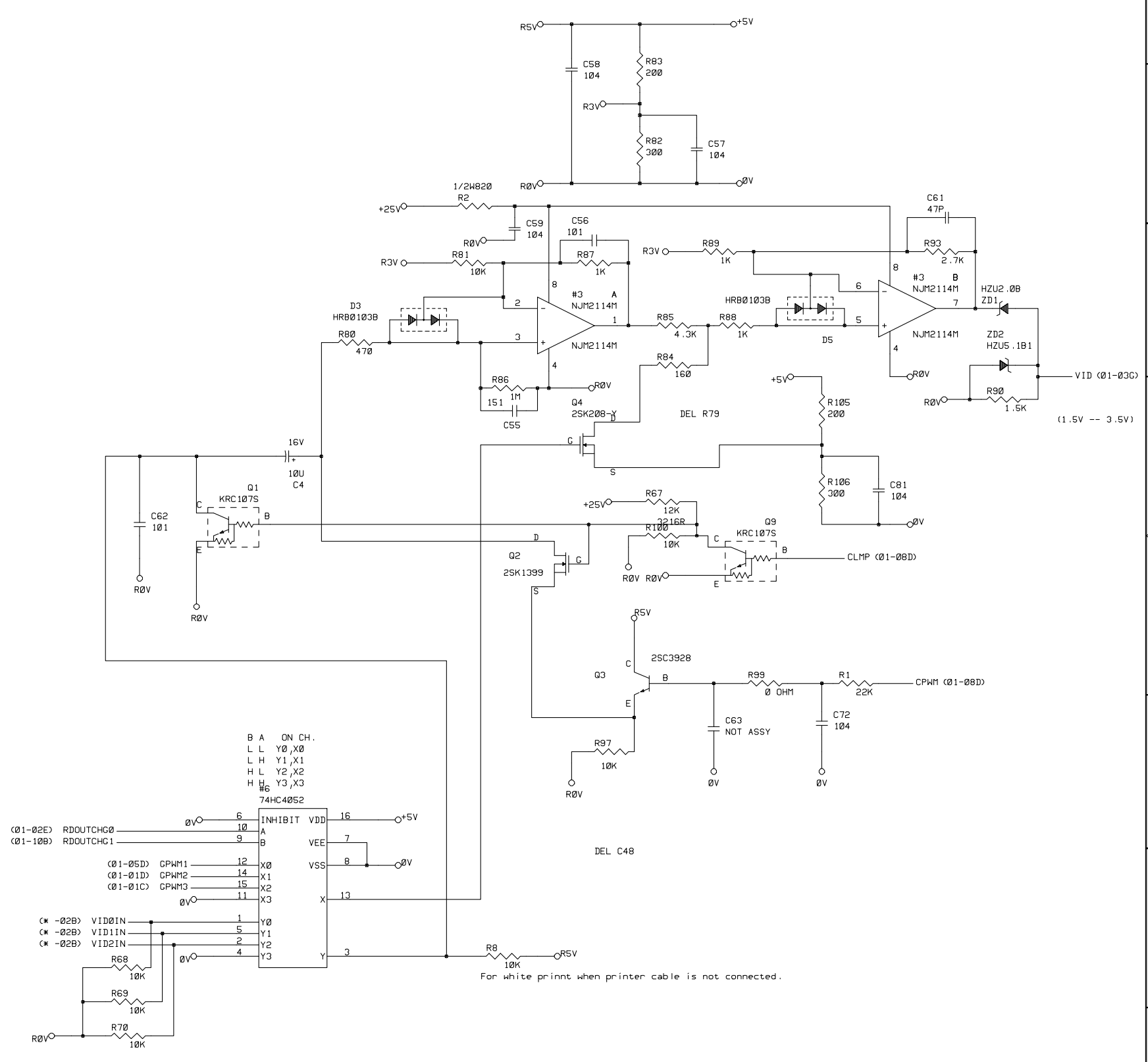
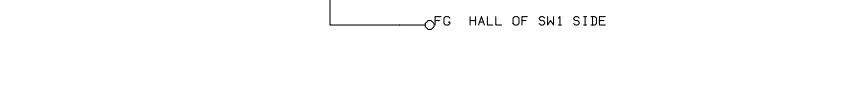
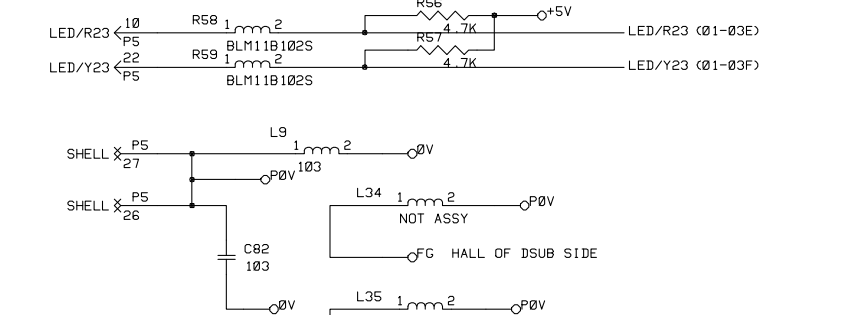
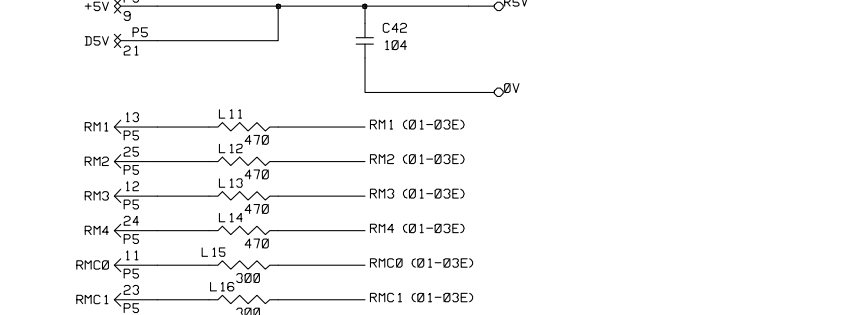
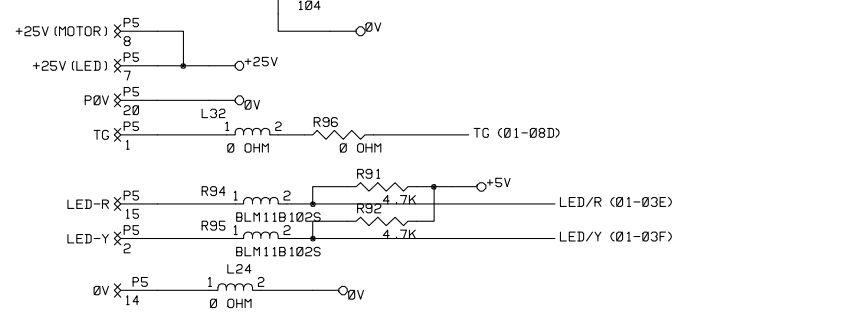
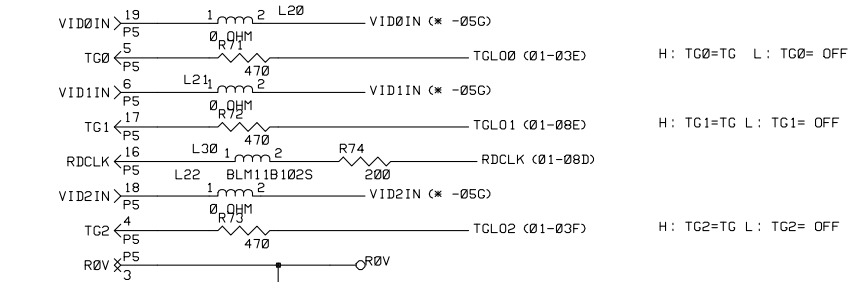


TERMAL HEAD

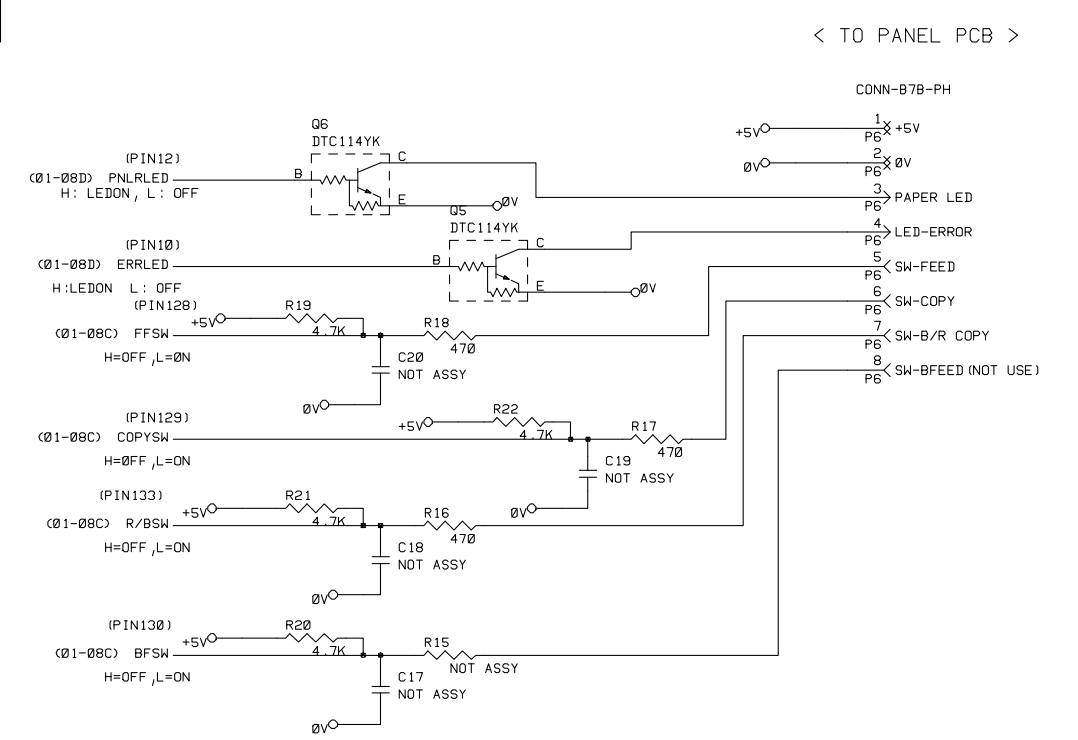
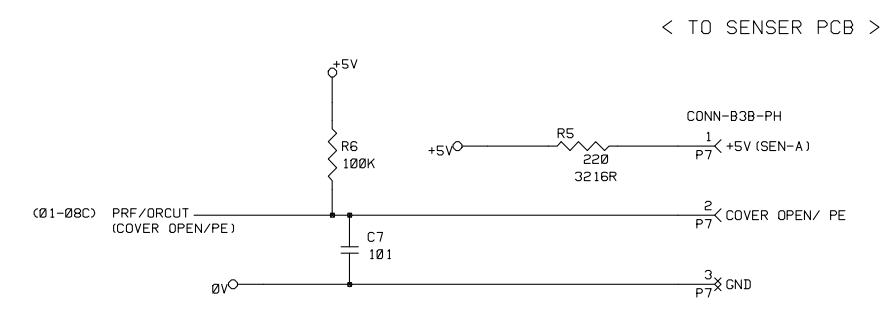
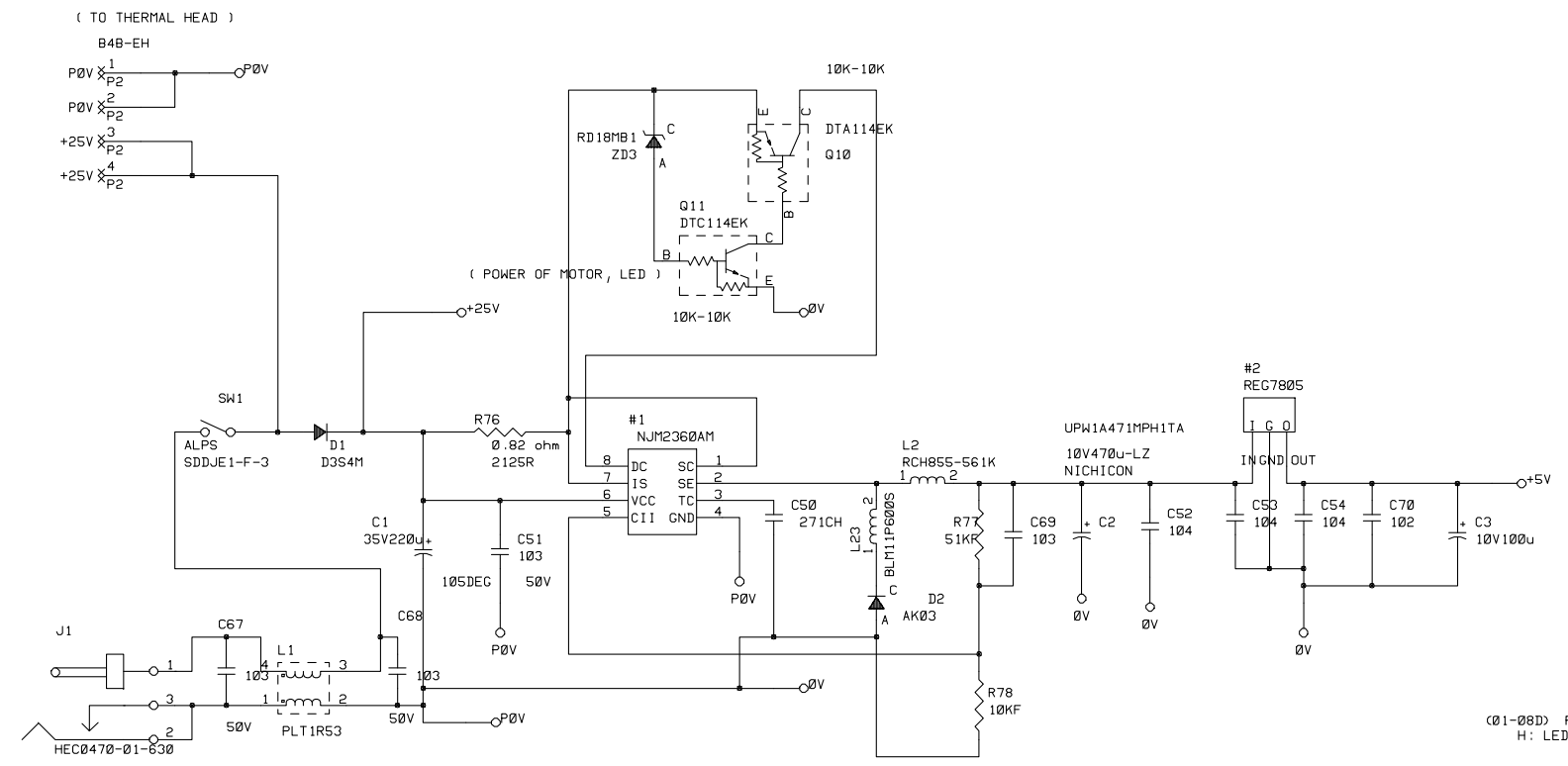


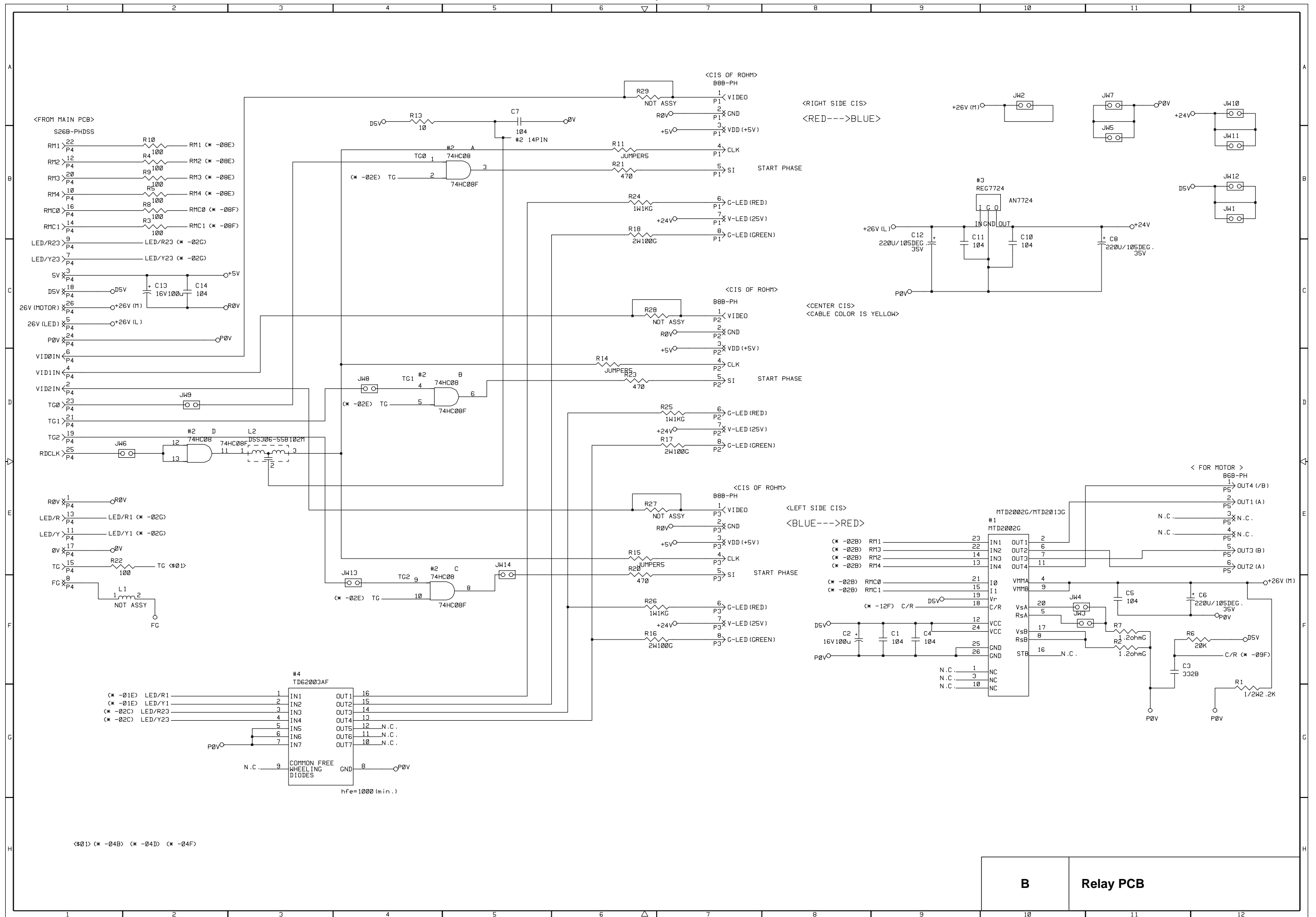
<2M MASK ROM>

DDMJ-25S-CEJ-0018



For white print when printer cable is not connected.





B **Relay PCB**

brother®

Mar. '00
SM5B1101①
Printed in Japan

Free Manuals Download Website

<http://myh66.com>

<http://usermanuals.us>

<http://www.somanuals.com>

<http://www.4manuals.cc>

<http://www.manual-lib.com>

<http://www.404manual.com>

<http://www.luxmanual.com>

<http://aubethermostatmanual.com>

Golf course search by state

<http://golfingnear.com>

Email search by domain

<http://emailbydomain.com>

Auto manuals search

<http://auto.somanuals.com>

TV manuals search

<http://tv.somanuals.com>