



ELECTRIC SMOKER

MODEL #32946/32948/32950

Français p. 14

Español p. 27



ATTACH YOUR RECEIPT HERE

Serial Number _____ Purchase Date _____

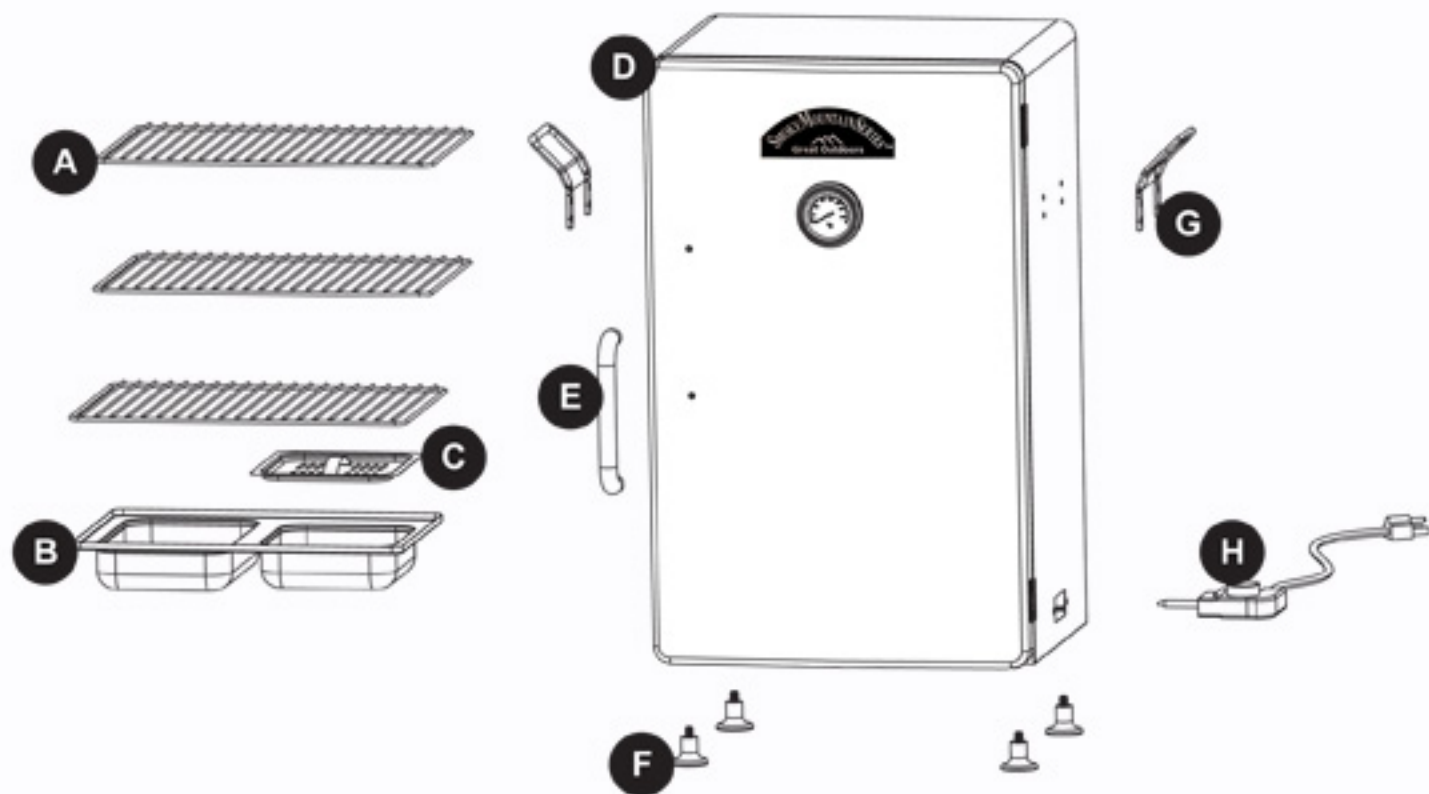


Questions, problems, missing parts? Before returning to your retailer, call our customer service department at 1-800-321-3473, Monday - Friday, 9am to 5pm EST.

TABLE OF CONTENTS

Package Contents	3
Hardware Contents.....	3
Safety Information	4
Preparation	6
Assembly Instructions.....	6
Initial Use Instructions	8
Operating Instructions	9
Cooking Instructions	9
Care and Maintenance	10
Troubleshooting.....	11
Warranty	11
Replacement Parts List	12

PACKAGE CONTENTS



PART	DESCRIPTION	QUANTITY
A	Smoking Rack	3
B	Water Pan & Wood Chip Box Tray	1
C	Wood Chip Box Lid	1
D	Cabinet	1
E	Door Handle	1
F	Foot	4
G	Side Handle	2
H	Temperature Controller	1

HARDWARE CONTENTS





SAFETY INFORMATION

Please read and understand this entire manual before attempting to assemble, operate or install the product. Read all instructions.

- **DO NOT** use appliance for other than intended use. It is **NOT** intended for commercial use.
- This item is **NOT** intended to be installed or used in or on a recreational vehicle and/or boats.
- The smoker is **NOT** to be used as a heater.
- Use only on properly grounded outlet. Unplug from outlet when not in use and before cleaning. To disconnect, turn the control to OFF, then remove plug from wall outlet. Allow to cool before putting on or taking off parts.
- Make sure the smoker is completely assembled and ready for operation before plugging into electrical outlet. **DO NOT** operate any appliance with a damaged cord or plug or after the appliance malfunctions or has been damaged in any manner.
- To protect against electrical shock, **DO NOT** immerse cord, plugs or electrical parts in water or other liquids. Smoker should **NOT** be exposed to water at any time.
- **DO NOT** operate smoker during rain or storms. If possible, disconnect from electrical source and move smoker to dry and protected location.
- Protect electrical cord from damage, hot surfaces, and/or moisture. **DO NOT** let cord hang over edge of table or counter or touch hot surfaces.
- The use of alcohol, prescription or non-prescription drugs may impair the user's ability to properly assemble and safely operate this smoker.
- This smoker is for **OUTDOOR** use only, in a well-ventilated area. **DO NOT** operate the smoker indoors, in a garage, or in any other enclosed area or under overhead construction.
- Use caution when assembling and operating the smoker to avoid cuts and scrapes from rough or sharp edges.
- Use caution when lifting and/or moving the smoker to avoid strains or back injury. Two (2) people are recommended to lift the smoker. **DO NOT** move the smoker while it is in use. Allow the smoker to cool completely before moving or storing. Extreme caution must be used when moving an appliance containing hot oil or other hot liquids.
- **DO NOT** operate the smoker near or under flammable or combustible materials such as decks, porches or carports. The minimum clearance shall be at least 24 inches from any structure or combustible material.
- Operate the smoker only on stable, level, non-flammable surfaces such as asphalt, concrete, or solid ground. **DO NOT** operate the smoker on flammable surfaces such as carpet or wood decks.
- **DO NOT** place or operate on tables or counters.
- **DO NOT** store the smoker near gasoline or other combustible liquids or where combustible vapors may be present.
- Store smoker indoors when not in use – out of reach of children. **DO NOT** store or operate the smoker in an area accessible to children or pets. Store the smoker in a dry, protected location.
- **DO NOT** leave the smoker unattended while it is in use. Close supervision is necessary when any appliance is used by or near children.
- **DO NOT** allow anyone to conduct activities around the smoker during or following its use until it has completely cooled. It is hot during operation and remains hot for a period of time.
- **DO NOT** leave hot ashes unattended until the smoker cools completely.
- **DO NOT** touch hot surfaces. Use handles or knobs. If you must handle the smoker when it is hot, **ALWAYS** use protective mitts or heat-resistant gloves.
- **DO NOT** cover smoking racks with any type of metal foil as this may cause serious damage to the smoker.
- The water pan/wood chip box tray should not be moved while the smoker is operating or until the



SAFETY INFORMATION

smoker has cooled sufficiently. It will contain hot liquid, hot ashes and hot grease that may cause serious injury. If you must move these components, **ALWAYS** use protective oven mitts or heat-resistant gloves.

- Dispose of cold ashes by wrapping them in heavy aluminum foil and putting them in a non-combustible container. Be sure there are no other combustible materials in or near the container. If you must dispose of ashes in less time than it takes for them to completely cool, remove the ashes from the smoker, keeping them in heavy aluminum foil and soaking them completely with water before disposing of them in a non-combustible container.
- **DO NOT** obstruct the flow of combustion air and/or ventilation air for the smoker.
- Use **CAUTION** when operating. Tie back long hair while operating the smoker. **ALWAYS** wear fully-covering shoes while operating the smoker.
- **NEVER** use glassware, plastic or ceramic cookware on or in the smoker.
- **NEVER** operate the smoker without water in the water pan. **NEVER** allow the water to completely evaporate. **DO NOT** clean this product with a water spray or similar cleaner.
- Check the water level at least every two hours. A sizzling sound may indicate a low water level or billowing smoke may indicate no water in the water pan (grease from the meat will be falling on a hot, dry water pan). Use caution and follow the instructions in this manual for adding water while smoker is operating, as hot water may splash up and cause serious injury.
- When using flavoring wood, add a sufficient amount prior to operation to avoid having to add wood while smoker is operating.
- The use of accessory attachments is not recommended by the manufacturer and may cause injuries.
- While the smoker is not in use, the electrical cord should be unplugged and stored in a safe, dry location.
- A short power-supply cord (or detachable power-supply cord) should be used to reduce the risk resulting from becoming entangled in or tripping over a longer cord. Longer detachable power supply cords or extension cords are available and may be used if care is exercised in their use. If a longer detachable power-supply cord or extension cord is used:
 1. The marked electrical rating of the cord set or extension cord should be at least as great as the electrical rating of the appliance.
 2. The cord should be arranged so that it will not drape over the countertop or tabletop where it can be pulled on by children or tripped over unintentionally. Connection to an extension cord should be kept dry and off the ground.
- Outdoor extension cords should be used with outdoor use products and are surface marked with the suffix letter "W" and with a tag stating "Suitable for use with outdoor appliances".
- **DO NOT** use the smoker if the heating element fails to heat up. Under such conditions, the smoker should be turned to the **OFF** position and the electrical cord should be disconnected. Refer to "Troubleshooting" guide in this manual.
- **DO NOT** use the smoker if the power indicator light in the electrical controller fails to function. Refer to "Troubleshooting" guide in this manual.
- Alternative fuels such as charcoal and wood pellets should **NOT** be used with this smoker or any of its accessories.
- Fuel, such as charcoal briquettes, is not to be used with appliance.
- **DO NOT** place on or near a hot gas or electric burner or in a heated oven.
- **DO NOT** place smoker cover on the smoker if it is still hot from use.
- All installations are to conform to local, state and federal fire codes.
- **KEEP** fire extinguisher accessible at all times.
- Burning wood gives off carbon monoxide which can cause death.
- **DO NOT** burn wood chips inside homes, vehicles, tents, garages or any enclosed areas.

SAVE THESE INSTRUCTIONS

PREPARATION

Before beginning assembly of product, make sure all parts are present. Compare parts with package contents list and hardware contents list. If any part is missing or damaged, do not attempt to assemble the product.

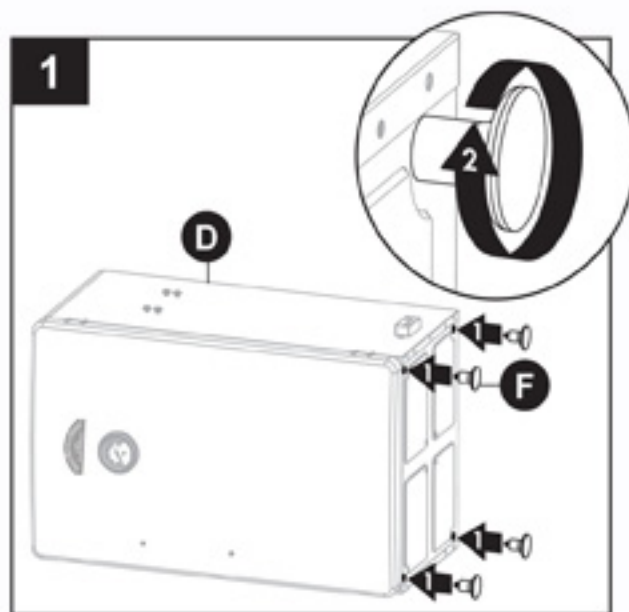
Estimated Assembly Time: 15 – 20 minutes

Tools Required for Assembly (not included): Phillips screwdriver, adjustable wrench.

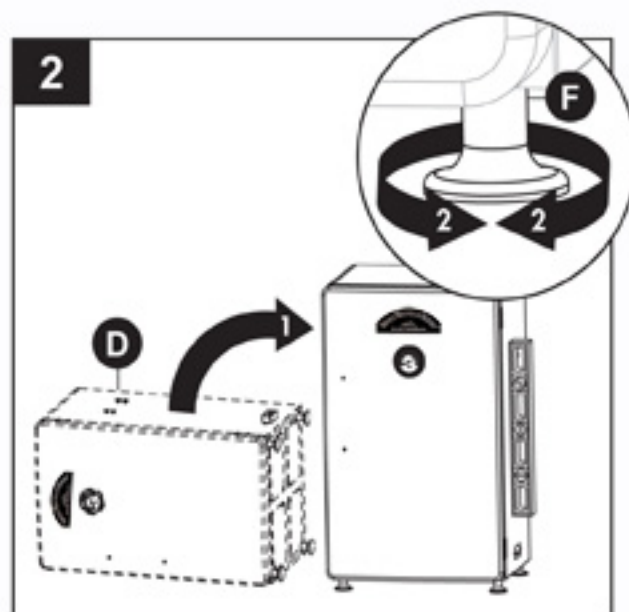
Helpful Tools (not included): Level

ASSEMBLY INSTRUCTIONS

1. Carefully place the cabinet (D) on its left side. Insert four feet (F) into the holes of the bottom of cabinet (D).







2. Carefully stand the cabinet (D) upright. Level the cabinet (D) by placing a level (not included) on the side of the cabinet (D) and adjusting feet (F) until level.



ASSEMBLY INSTRUCTIONS

3. Attach side handle (G) with four 5 mm spring washers (BB), four 5 mm flat washers (CC), and four M5x16 bolts (AA). Secure from inside with four 5 mm flat washers (CC) and four M5 nuts (DD). Repeat for remaining side handle (G).

Hardware Used

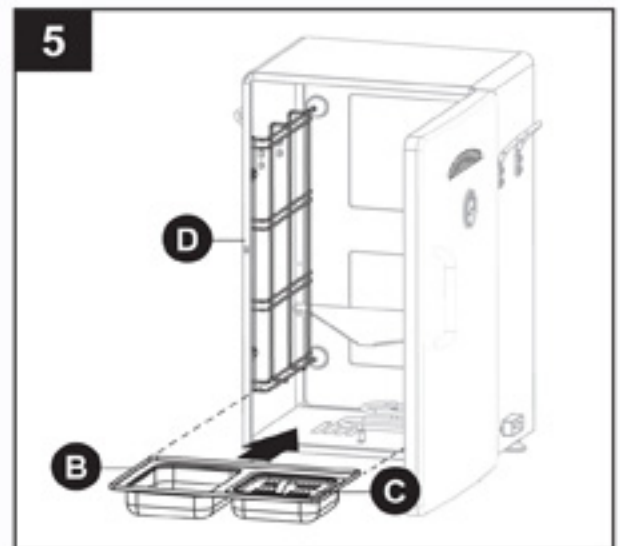
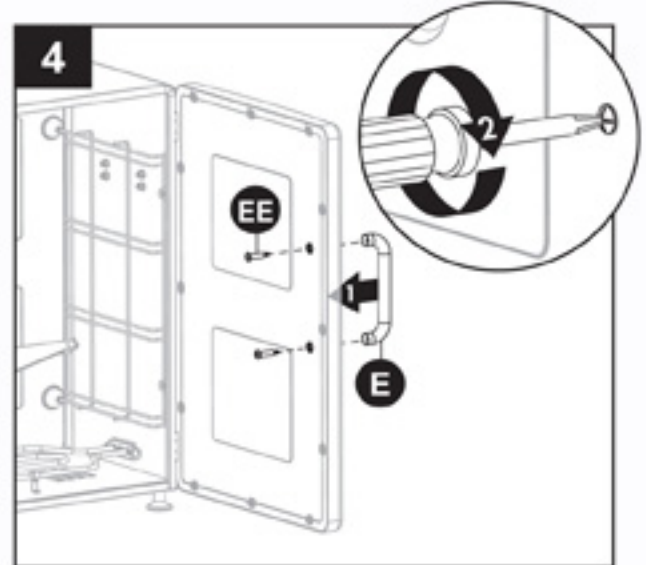
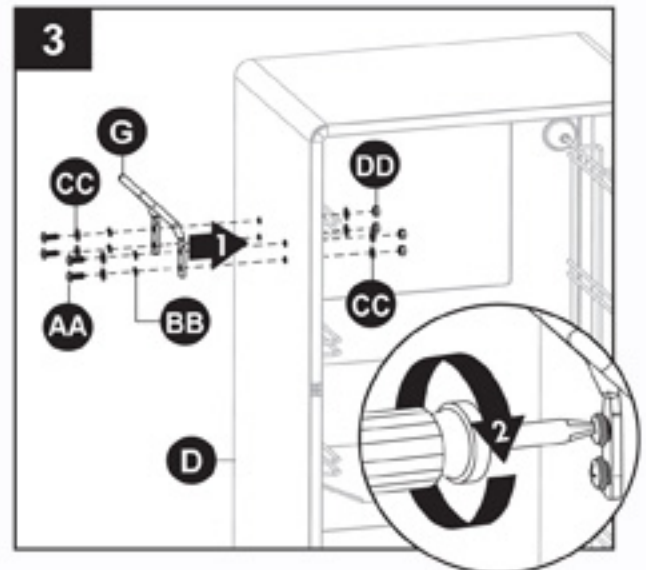
AA	M5x16 Bolt		x 8
BB	5 mm Spring Washer		x 8
CC	5 mm Flat Washer		x 16
DD	M5 Nut		x 8

4. Attach door handle (E) with two step bolts (EE).

Hardware Used

EE	Step Bolt		x 2
-----------	-----------	---	-----

5. Place water pan & wood chip box tray (B) and wood chip box lid (C) into the lowest rack position in the cabinet (D).

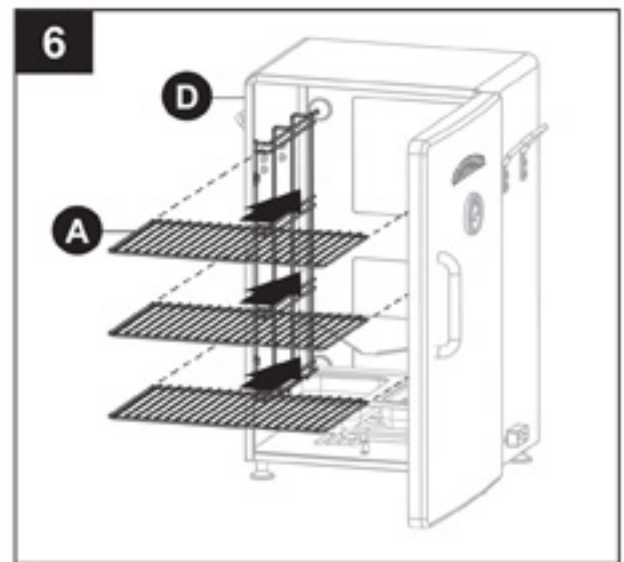


ASSEMBLY INSTRUCTIONS

6. Insert each smoking rack (A) into the associated rack positions in the cabinet (D).

NOTE: It is recommended to keep these racks inside the smoker when NOT in use.

For use, only use the number of racks required to hold the meat.

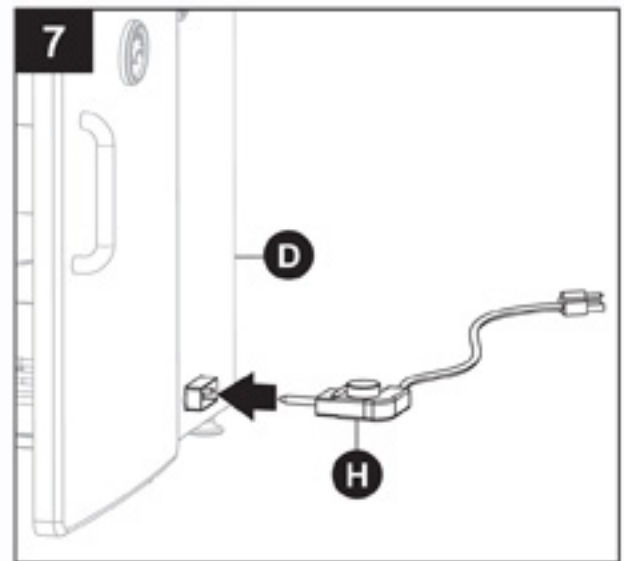


7. Insert temperature controller (H) into the controller plug on the right side of the cabinet (D).

NOTE: The rubber translucent white wrap on the temperature controller (H) is designed to protect the temperature controller in the event of rain during operation.

NOTE: This wrap is only water-resistant and is not meant to be waterproof.

NOTE: DO NOT operate this smoker during rain or storms. If possible, disconnect from electrical source and move smoker to dry and protected location.



INITIAL USE INSTRUCTIONS

Before you cook food in the smoker, it is important to prepare the smoker. The below procedure is designed to clean and prepare the smoker for its initial smoking.

1. Set the temperature of the smoker to MED and the time to run to two hours.
2. For first hour, remove water/wood chip box tray. **DO NOT** place any food in the smoker during this procedure.
3. For second hour, place water/wood chip box tray in its position and only add wood to the wood chip box. Allow the wood to burn for the remaining hour.
4. When this procedure is completed, allow the smoker to cool and remove the wood ashes and residue from a cool or cold wood chip box. Also make sure the adjacent water pan is also cool or cold when performing this clean out.

OPERATING INSTRUCTIONS

Adding water and wood to the smoker

1. Add wood to wood chip box prior to placing water pan/wood chip box tray in the smoker. Make sure not to overfill the box with wood and that the wood chip box lid properly fits.

NOTE: The amount and type of wood used is entirely up to you. It is recommended to start with small amounts of wood initially.

2. Place the water pan/wood chip box tray in the smoker and then add water to water pan. Fill up to 1 in. below the rim. Close the door.
3. Then set the temperature controller to your desired setting (LOW/MED/HIGH) and adjust accordingly until the temperature on the temperature gauge reaches the desired temperature.

Checking water and wood during operation

- To check the water while the smoker is in operation and **HOT, SLOWLY** open the door to allow the built up heat and smoke to escape. Replenish water as need – **BE CAREFUL NOT** to touch any part of the interior of the cabinet or door. Then **SLOWLY** and **CAREFULLY** close the smoker door.
- To check the wood while the smoker is in operation and **HOT, SLOWLY** open the door to allow the built up heat and smoke to escape. Using an oven mitt or other heat-protection glove, **CAREFULLY** remove the wood chip box lid. Once the lid is open, using a long-handled utensil, stir the remaining wood ashes flat and carefully add wood. **BE CAREFUL NOT** to touch any part of the interior of the cabinet or door. Again using an oven mitt or other heat-protection glove, **CAREFULLY** reposition the wood chip box lid to its correct position. Then **SLOWLY** and **CAREFULLY** close the smoker door.

COOKING INSTRUCTIONS

IMPORTANT: Before use, clean and inspect the entire smoker.

- Place and fill the wood chip box with flavoring wood chips and place the water pan/wood chip box tray in the appropriate location of the smoker as instructed in the assembly section of this instruction manual. The amount and type of wood(s) you use is entirely up to you. Checking and adding wood to the wood chip box is covered on page 9 of this manual.
- Place the water pan/wood chip box tray in the appropriate location of the smoker as instructed in the assembly instructions then carefully fill the water pan with water (or similar liquid like beer or apple juice) up to 1 in. below the water pan rim. **DO NOT** overfill or allow water to overflow from the water pan. Checking and adding water to the water pan is covered on page 9 of this manual.
- Insert or adjust the smoking racks to the desired positions. For better access to the food with tongs or spatulas:
 1. Use only the smoking racks needed for your smoking.
 2. Be sure the grids of the smoking racks run front-to-back as shown in the assembly section.
Smoking tip: Coating the smoking rack(s) with cooking oil or spray before placing meat will help in after-use clean up.
- Place the food on the smoking racks in a single layer with space between each piece. This will allow smoke and hot moisture to circulate evenly around the food pieces.

COOKING INSTRUCTIONS

- Depending on the meat and size, smoking for two to three hours at the ideal constant cooking temperature of 225° to 250° F will get the best results. For more tender and heavily smoked meat, a temperature of 220° to 240° F and smoking four to six hours (or longer) may be preferred. If time is critical, a higher temperature range is recommended. One common time measurement used is to allow 45 – 60 minutes smoking time per pound of meat. NOTE: This will vary for bone-in and boneless meats.
- Flavoring wood tips:
 - Small wood chips work best inside the wood chip box.
 - Use dry hardwoods such as hickory, pecan, apple, cherry or mesquite.
 - **DO NOT** use resinous woods such as pine. These usually produce an unpleasant flavoring.
 - Let your taste be your guide. Experiment with different types and quantities of wood chunks, chips or sticks. You may also mix different woods together.
 - To produce longer smoking and prevent faster burning, pre-soak the wood in water for at least 30 minutes (Refer to wood chip manufacturer's instructions).
 - Most smoking flavor occurs within the first few hours of smoking. Adding wood chips after this is typically not necessary unless extra-heavy smoking flavor is desired.

CARE AND MAINTENANCE

CAUTION: All care and maintenance procedures are to be performed only while the smoker is turned off, completely cooled and unplugged from the electrical source.

- To clean, remove the water pan/wood chip box tray and cooking racks from the smoker. Clean with hot, soapy water and rinse and dry thoroughly. To make cleaning easier, you may prefer to coat the cooking racks lightly with a cooking oil or cooking spray before each use.
- To clean the inside and outside of the smoker cabinet, simply use a damp cloth. Spray washing with a water hose is not recommended. All moisture should be wiped away and not allowed to stay inside or on top of the smoker.
- After the ashes are completely cool, remove the water pan/wood chip box tray with lid and thoroughly clean out all wood ashes and unburned wood, and wipe the box clean of any residue.
- Frequently inspect and clean the smoker for insects and insect nests.
- Inspect the electrical temperature controller cord before each use to make sure it is in good condition.
- If there are signs of cuts or damage, **DO NOT** use electrical temperature controller.
- To protect your smoker from weather and other elements, it is recommended to keep your smoker covered when not in use and stored in a dry area.
- It is recommended that this electric smoker is **NOT** be stored outside or in an area where outside elements may have a detrimental effect on the smoker and its operation.
- Weather-resistant covers for this smoker are available for purchase.

TROUBLESHOOTING

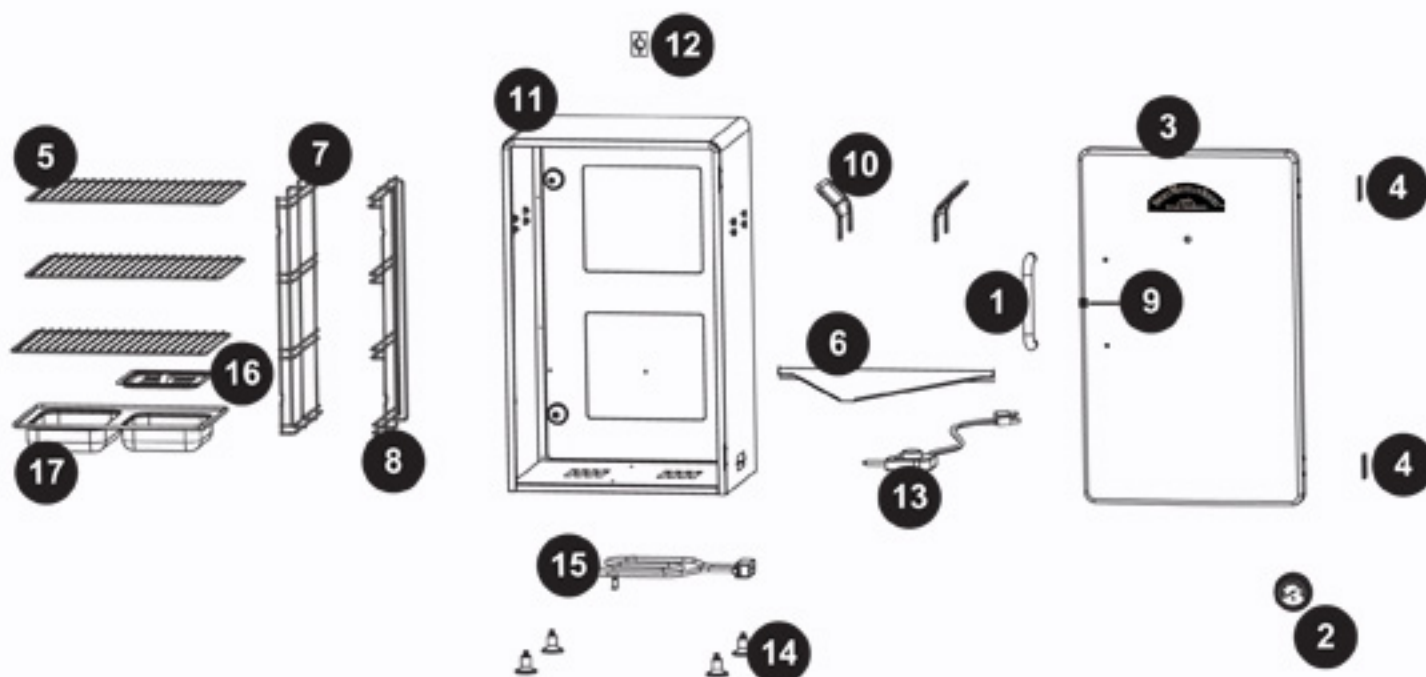
PROBLEM	POSSIBLE CAUSE	CORRECTIVE ACTION
Temperature controller light arrow does not illuminate.	<ol style="list-style-type: none">1. Electrical cord not plugged into outlet.2. Main house fuse has been tripped.3. Temperature controller has malfunctioned.	<ol style="list-style-type: none">1. Check outlet connection.2. Check house fuses. DO NOT operate other appliances on same electrical circuit.3. DO NOT use the smoker and contact the manufacturer.
Longer than normal heating time.	<ol style="list-style-type: none">1. Door not closed completely.2. Temperature controller has malfunctioned.3. Use of extension cord.	<ol style="list-style-type: none">1. Close door securely.2. DO NOT use the smoker and contact the manufacturer.3. Discontinue use of extension cord.
No smoke.	<ol style="list-style-type: none">1. No wood in wood chip box.2. Heating element is not functioning.	<ol style="list-style-type: none">1. Add wood to wood chip box.2. DO NOT use the smoker and contact the manufacturer.
Temperature controller light arrow is on but the smoker is not heating.	<ol style="list-style-type: none">1. Temperature controller has malfunctioned.2. Heating element is not functioning.	<ol style="list-style-type: none">1. DO NOT use the smoker and contact the manufacturer.2. DO NOT use the smoker and contact the manufacturer.
Temperature controller does not adjust heat.	<ol style="list-style-type: none">1. Temperature controller has malfunctioned.	<ol style="list-style-type: none">1. DO NOT use the smoker and contact the manufacturer.
Temperature decreases sharply or shuts down prematurely.	<ol style="list-style-type: none">1. Temperature controller has malfunctioned.	<ol style="list-style-type: none">1. DO NOT use the smoker and contact the manufacturer.

WARRANTY

This electric smoker is warranted to be free from defects in material and workmanship when properly assembled, used and cared for as directed in these instructions for one (1) year from the date of original retail purchase. Painted surfaces are guaranteed to be free of defects for 90 days from the date of original retail purchase (except for rust, which may appear from repeated use). This warranty does not cover damage or issues related to neglect, abuse, accident, transportation damages, commercial use or ANY modifications made to this product. Repair labor is not covered. This warranty is the only warranty offered and is in lieu of all other warranties, whether expressed or implied, which includes implied warranty, merchandising or use for a particular purpose.

REPLACEMENT PARTS LIST

For replacement parts, call our customer service department at 1-800-321-3473,
Monday - Friday, 9am to 5pm EST.



PART	DESCRIPTION	PART #
1	Door handle	ES0150
2	Temperature gauge	ES0151
3	Door	ES0170
4	Door hinge	ES0153
5	Smoking rack	ES0155
6	Grease shield plate	ES0156
7	Left support frame	ES0157
8	Right support frame	ES0158
9	Door magnet	ES0159
10	Side handle	ES0160
11	Cabinet	ES0161
12	Rear vent tube	ES0162

PART	DESCRIPTION	PART #
13	Temperature controller	ES0163
14	Foot	ES0164
15	Heating element	ES0165
16	Wood chip box lid	ES0166
17	Water pan/wood chip box tray	ES0167
AA	M5x16 mm bolt	ES0175
BB	5 mm flat washer	ES0176
CC	5 mm spring washer	ES0177
DD	M5 nut	ES0178
EE	Step bolt	ES0154

NOTE: Refer to the "Hardware Contents" section for illustrations of hardware available for order.

Printed in China

AVAILABLE COVER

For information regarding purchasing a cover for this electric smoker,
visit our website at
www.landmann-usa.com or
call our customer service department at 1-800-321-3473,
Monday - Friday, 9am to 5pm EST.





FUMOIR ÉLECTRIQUE

MODÈLE #32946/32948/32950



JOIGNEZ VOTRE REÇU ICI

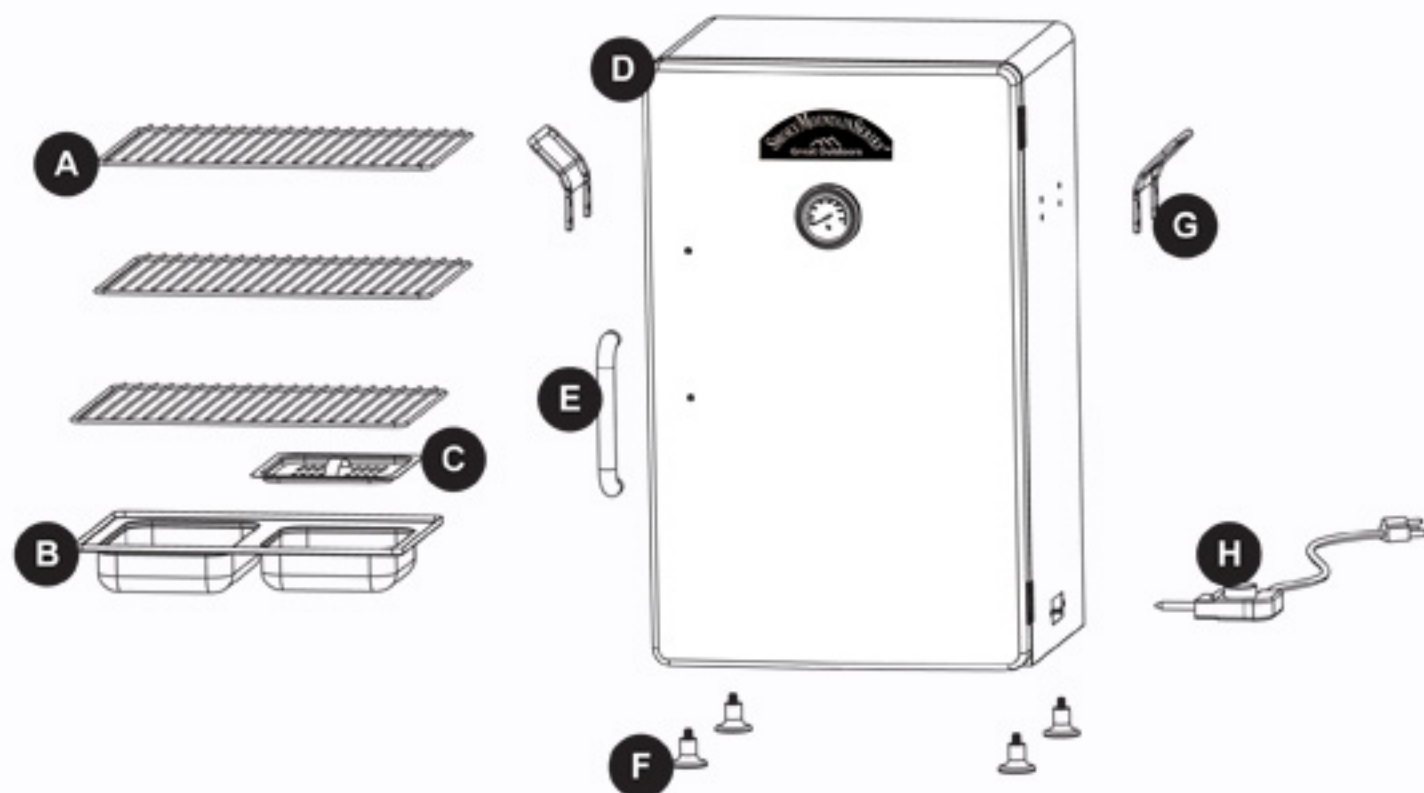
Numéro de série _____ Date d'achat _____



Des questions, des problèmes, des pièces manquantes? Avant de retourner l'article au détaillant, appelez notre service à la clientèle au 1-800-321-3473, entre 9h et 5 h (HNE) du lundi au vendredi (HNE).

Contenu de l'emballage.....	16
Quincaillerie incluse.....	16
Mesures de sécurité importantes	17
Préparation.....	19
Instructions pour l'assemblage ou l'installation	19
Instructions pour la première utilisation	21
Mode d'emploi	22
Instructions pour la cuisson.....	22
Entretien	23
Dépannage.....	24
Garantie.....	24
Liste des pièces de rechange.....	25

CONTENU DE L'EMBALLAGE



PIÈCE	DESCRIPTION	QUANTITÉ
A	Grille de fumaison	3
B	Plateau avec cuve à eau et contenant à copeaux de bois	1
C	Couvercle de contenant à copeaux de bois	1
D	Carrosserie	1
E	Poignée de porte	1
F	Pied	4
G	Poignée latérale	2
H	Dispositif de réglage de la température	1

QUINCAILLERIE INCLUSE (grandeur réelle)

AA



Boulon M5 de
16 mm
Qté : 8

BB



Rondelle à
ressort de 5 mm
Qté : 8

CC



Rondelle
plate de 5 mm
Qté : 16

DD



Écrou M5
Qté : 8

EE



Boulon de
structure
Qté : 2



MESURES DE SÉCURITÉ IMPORTANTES

Prenez soin de lire et de comprendre l'intégralité de ce manuel avant de tenter d'assembler, d'installer ou d'utiliser le produit. Lisez toutes les instructions.

- N'utilisez **PAS** l'appareil pour un usage autre que celui auquel il est destiné. Il n'est **PAS** destiné à un usage commercial.
- Il n'est **PAS** destiné à l'installation ou à l'usage à bord d'un véhicule récréatif ou d'un bateau.
- Ce fumoir ne doit **PAS** être utilisé comme appareil de chauffage.
- Branchez-le toujours sur une prise mise à la terre. Débranchez l'appareil de la prise lorsque vous ne l'utilisez pas ou lorsque vous le nettoyez. Pour débrancher l'appareil, réglez le bouton de commande à la position d'arrêt, puis retirez la fiche de la prise murale. Laissez-le refroidir avant d'ajouter ou de retirer des pièces.
- Assurez-vous que le fumoir est complètement assemblé et est prêt à l'utilisation avant de le brancher sur une prise de courant. N'utilisez **AUCUN** appareil muni d'un cordon ou d'une fiche endommagé, qui a subi une défaillance, qui est tombé ou qui a été endommagé de quelque façon que ce soit.
- Afin d'éviter tout choc électrique, n'immergez pas le cordon d'alimentation, les fiches, ni les pièces électriques dans l'eau ou dans d'autres liquides. Le fumoir ne doit **EN AUCUN CAS** être exposé à l'eau.
- Ne faites **PAS** fonctionner le fumoir lorsqu'il pleut ou pendant un orage. Si possible, débranchez l'appareil de la prise de courant et mettez-le à l'abri dans un endroit sec.
- Protégez le cordon d'alimentation de tout dommage, des surfaces chaudes et de l'humidité. Ne laissez **PAS** le cordon d'alimentation pendre sur le rebord d'une table ou d'un comptoir ni entrer en contact avec une surface chaude.
- L'usage d'alcool, de médicaments ou de drogue peut altérer l'habileté de l'utilisateur à assembler le fumoir correctement et à le faire fonctionner de façon sécuritaire.
- Ce fumoir ne doit être utilisé qu'**À L'EXTÉRIEUR** seulement, dans un endroit bien aéré. N'utilisez **PAS** le fumoir à l'intérieur, dans un garage ou toute autre pièce fermée ni à l'abri d'une quelconque structure comportant un toit.
- Faites preuve de prudence lorsque vous assemblez et utilisez le fumoir afin d'éviter les coupures et les égratignures que peuvent causer les rebords rugueux ou les arêtes vives.
- Faites preuve de prudence lorsque vous soulevez ou déplacez le fumoir afin d'éviter les blessures provoquées par l'effort, notamment les blessures au dos. Nous recommandons que le fumoir, s'il doit être soulevé, soit soulevé par deux (2) personnes. Ne déplacez **PAS** le fumoir pendant qu'il est en marche. Vous devez faire preuve d'une extrême prudence lorsque vous déplacez un appareil qui contient de l'huile chaude ou tout autre liquide chaud.
- N'utilisez **PAS** le fumoir à proximité d'une structure faite de matériaux inflammables ou combustibles (par exemple, terrasse en bois, véranda ou abri d'auto) ni sous une telle structure. Un dégagement minimal de 60,1 cm (24 po) doit être maintenu entre le fumoir et toute structure ou tout matériau combustible.
- Utilisez le fumoir uniquement sur une surface stable, **DE NIVEAU** et ininflammable, par exemple une surface revêtue d'asphalte ou de ciment ou un terrain ferme. N'utilisez **PAS** le fumoir sur une surface inflammable, par exemple un sol recouvert de tapis ou une terrasse en bois.
- Le fumoir ne doit **PAS** être placé ni utilisé sur une table ou un comptoir.
- Ne rangez **PAS** le fumoir dans un endroit près duquel se trouve de l'essence ou tout autre liquide inflammable ou dans un endroit où des vapeurs inflammables sont susceptibles d'être présentes.
- Lorsque vous n'utilisez pas le fumoir, rangez-le à l'intérieur, hors de la portée des enfants. Le fumoir ne doit **PAS** être rangé ni utilisé dans un endroit accessible aux enfants ou aux animaux domestiques. Entrez le fumoir dans un endroit sec et protégé.
- Ne laissez **PAS** le fumoir sans surveillance pendant qu'il est en marche. Supervisez attentivement l'utilisation du fumoir. Une surveillance étroite est de rigueur lorsque l'appareil est utilisé par des enfants ou à proximité de ces derniers.
- Ne permettez **AUCUNE** activité à proximité du fumoir pendant ou après son utilisation jusqu'à ce qu'il se soit complètement refroidi. Le fumoir est chaud lorsqu'il est en marche et demeure chaud pendant un certain temps suivant son utilisation.
- Ne laissez **PAS** les cendres chaudes sans surveillance jusqu'à ce que le fumoir se soit complètement refroidi.
- Ne touchez **PAS** aux surfaces quand elles sont chaudes. Utilisez plutôt les poignées. Si vous devez



MESURES DE SÉCURITÉ IMPORTANTES

- manipuler le fumoir pendant qu'il est chaud, portez **TOUJOURS** des gants de cuisine isolants.
- La cuve à eau, le contenant à copeaux de bois et le bac ramasse-graisse ne doivent pas être déplacés pendant que le fumoir est en marche ni tant que le fumoir ne s'est pas suffisamment refroidi. Si vous devez déplacer ces composants, portez **TOUJOURS** des gants de cuisine isolants.
 - Jetez les cendres froides en les emballant dans du papier d'aluminium résistant et en les plaçant dans un contenant incombustible. Assurez-vous qu'aucune matière combustible ne se trouve dans le contenant ou près de celui-ci.
 - Ne recouvrez **PAS** les grilles du fumoir de quelque type de papier métallique que ce soit, car vous risquez d'endommager gravement le fumoir.
 - Ne bloquez **PAS** le flux d'air de combustion ou de ventilation du fumoir.
 - Faites preuve de **PRUDENCE** si vous ouvrez la porte pendant que le fumoir est en marche. Portez **TOUJOURS** des chaussures fermées lorsque vous utilisez le fumoir.
 - N'utilisez **JAMAIS** de vaisselle en verre, en plastique ou en céramique dans le fumoir ou sur celui-ci.
 - N'utilisez **JAMAIS** le fumoir sans eau dans la cuve à eau. Ne permettez **JAMAIS** à l'eau de s'évaporer complètement. Ne le nettoyez **PAS** à l'aide d'un jet d'eau ou d'un dispositif semblable.
 - Si des grésillements se font entendre ou si des tourbillons de fumée s'échappent du fumoir, c'est peut-être que la cuve à eau est vide (la graisse de la viande tombe alors dans une cuve à eau sèche et chaude). Faites preuve de prudence lorsque vous ajoutez de l'eau pour éviter que de l'eau brûlante vous éclabousse et vous blesse gravement.
 - Lorsque vous utilisez du bois aromatisant, mettez-en une quantité suffisante dans le contenant avant l'utilisation pour éviter d'avoir à rajouter du bois en cours de route.
 - L'utilisation d'autres accessoires n'est pas recommandée par le fabricant, car elle pourrait causer des blessures.
 - Lorsque vous n'utilisez pas le fumoir, retirez le cordon d'alimentation électrique et rangez-le dans un endroit sûr, au sec.
 - Utilisez un cordon d'alimentation court (ou une rallonge électrique détachable) pour éviter de vous empêtrer les pieds dans un long cordon ou de trébucher. Des cordons d'alimentation ou des rallonges électriques détachables plus longs peuvent être utilisés, mais en faisant preuve de prudence. Si vous utilisez un long cordon d'alimentation ou une longue rallonge détachable : (1) les caractéristiques électriques de la rallonge ou du cordon d'alimentation utilisés doivent être au moins égales à celles de l'appareil, et (2) le cordon d'alimentation doit être disposé de façon à ne pas pendre d'un comptoir ou d'une table pour éviter qu'un enfant le tire ou trébuche. Les connexions de la rallonge électrique doivent être à l'abri de l'eau et ne pas toucher le sol.
 - Les rallonges conçues pour l'extérieur sont marquées d'un W et sont dotées d'une étiquette sur laquelle il est écrit « Suitable for Use with Outdoor Appliances » (convient aux appareils pour l'extérieur).
 - N'utilisez **PAS** le fumoir si l'élément chauffant ne chauffe pas. Si cela se produit, mettez le fumoir en position « OFF » (arrêt) et débranchez le cordon d'alimentation électrique. Consultez le guide de dépannage du présent manuel.
 - N'utilisez **PAS** le fumoir si le voyant d'alimentation ou l'afficheur à DEL ne fonctionne pas. Consultez le guide de dépannage du présent manuel.
 - N'utilisez **AUCUN** autre combustible, par exemple, charbon de bois ou pastilles de bois, avec ce fumoir.
 - Ne placez **PAS** de charbon de bois ou de pastilles de bois dans le contenant à copeaux de bois.
 - N'alimentez pas cet appareil avec du carburant, comme des briquettes de charbon.
 - Ne placez **PAS** l'appareil à proximité d'un brûleur à gaz ou électrique chaud, ni à l'intérieur d'un four chaud.
 - Toutes les installations doivent être conformes aux exigences municipales, provinciales et fédérales en matière de prévention des incendies.
 - **ASSUREZ-VOUS** qu'un extincteur d'incendie se trouve à portée de la main en tout temps.
 - La combustion du bois génère du monoxyde de carbone, qui peut causer la mort.
 - Ne faites **PAS** brûler des copeaux de bois à l'intérieur d'une maison, d'un véhicule, d'une tente, d'un garage ou de tout autre espace clos.

CONSERVEZ CES INSTRUCTIONS

PRÉPARATION

Avant de commencer l'assemblage du produit, assurez-vous d'avoir toutes les pièces. Comparez les pièces avec la liste du contenu de l'emballage et de la quincaillerie ci-dessus. S'il y a des pièces manquantes ou endommagées, ne tentez pas d'assembler le produit. Communiquez avec le service à la clientèle pour obtenir des pièces de rechange.

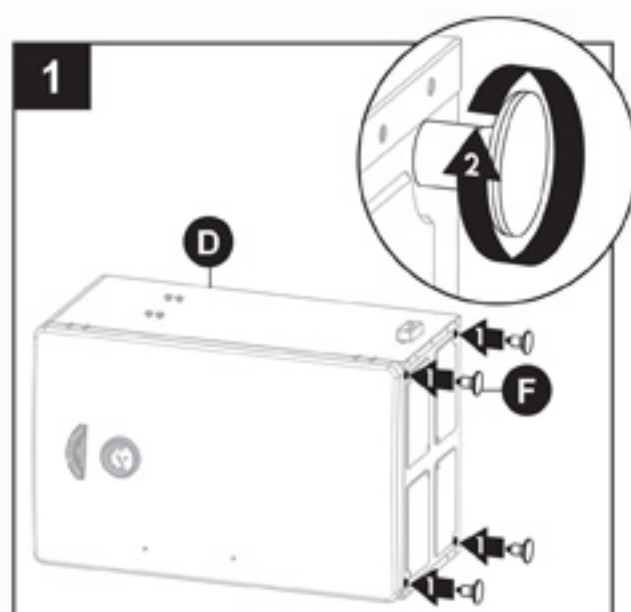
Temps d'assemblage approximatif : de 15 à 20 minutes.

Outils nécessaires pour l'assemblage (non inclus) : tournevis cruciforme, clé à molette.

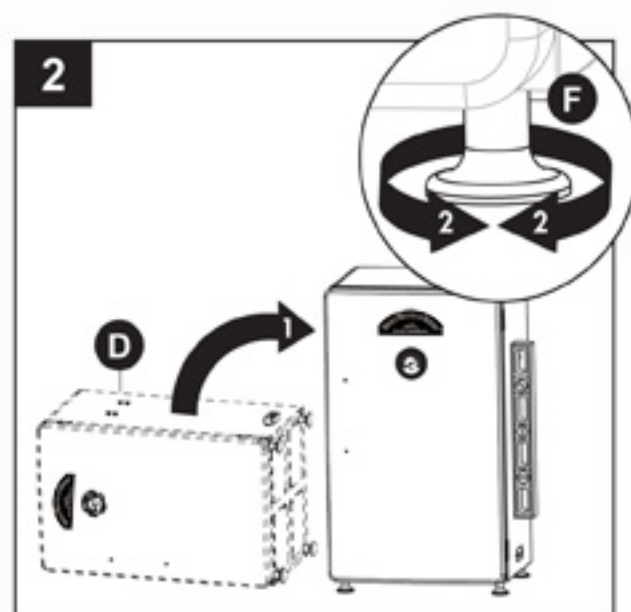
Outils utiles (non inclus) : niveau.

INSTRUCTIONS POUR L'ASSEMBLAGE

1. Placez soigneusement le fumoir (D) sur son côté gauche. Insérez quatre pieds (F) dans les trous situés en dessous du fumoir (D).







2. Avec précaution, remettez le fumoir (D) debout. Mettez le fumoir (D) de niveau en plaçant un niveau (non inclus) sur le côté du fumoir (D) et en ajustant les pieds (F) jusqu'à ce qu'il soit de niveau.



INSTRUCTIONS POUR L'ASSEMBLAGE

3. Fixez la poignée latérale (G) à l'aide de quatre rondelles à ressort de 5 mm (BB), de quatre rondelles plates de 5 mm (CC) et de quatre boulons M5 de 16 mm (AA). Fixez à partir de l'intérieur à l'aide de quatre rondelles plates de 5 mm (CC) et de quatre écrous M5 (DD). Répétez cette étape pour l'autre poignée latérale (G).

Quincaillerie utilisée

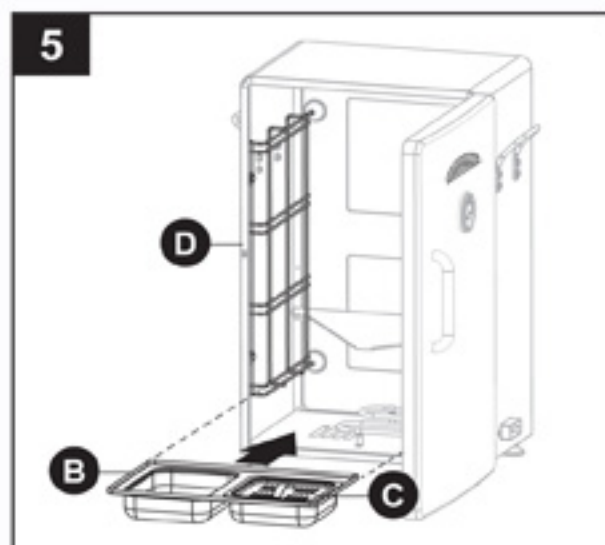
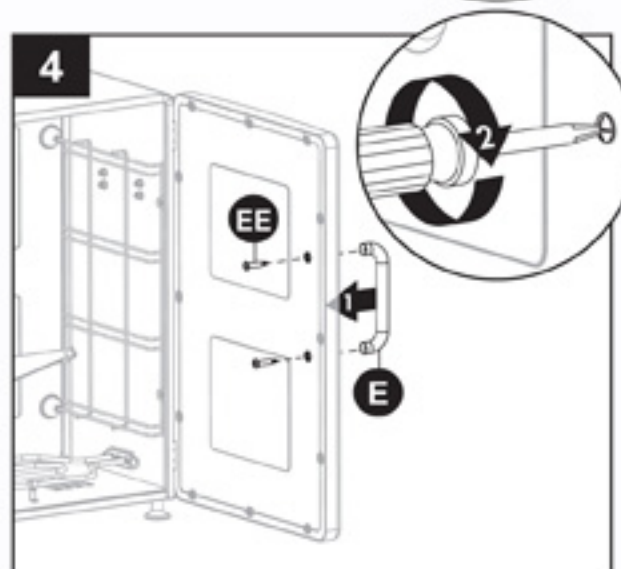
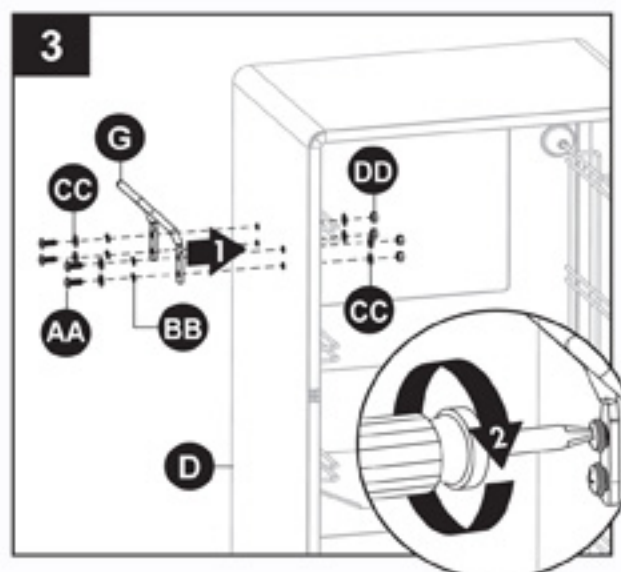
AA	Boulon M5 de 16 mm		x 8
BB	Rondelle à ressort de 5 mm		x 8
CC	Rondelle plate de 5 mm		x 16
DD	Écrou M5		x 8

4. Fixez la poignée de la porte (E) à l'aide de deux boulons de structure (EE).

Quincaillerie utilisée

EE	Boulon de structure		x 2
-----------	---------------------	---	-----

5. Mettez le plateau avec la cuve à eau et le contenant à copeaux de bois (B) ainsi que le couvercle de contenant à copeaux de bois (C) dans l'emplacement le plus bas à l'intérieur du fumoir (D).

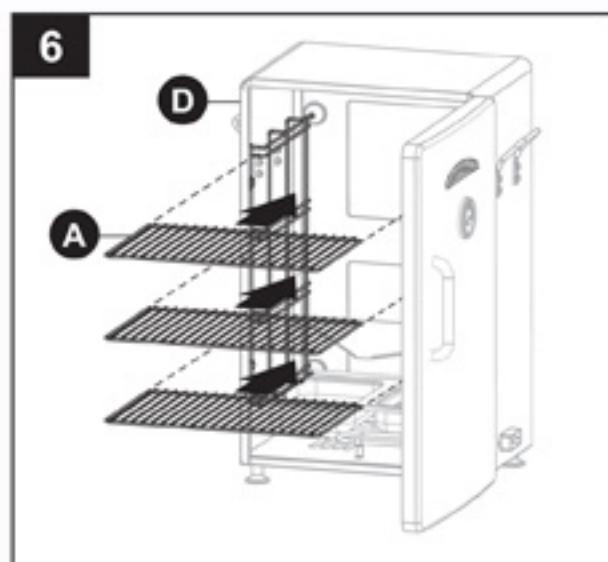


INSTRUCTIONS POUR L'ASSEMBLAGE

6. Insérez chaque grille de fumaison (A) dans l'emplacement correspondant à l'intérieur du fumoir (D).

REMARQUE : Il est préférable de laisser les grilles à l'intérieur du fumoir lorsque celui-ci n'est PAS utilisé.

Lorsque vous utilisez le fumoir, utilisez seulement le nombre de grilles nécessaire pour y déposer la viande.

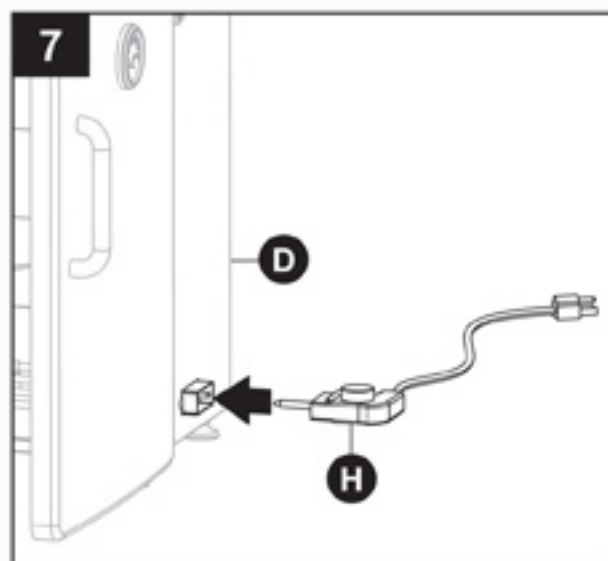


7. Insérez le dispositif de réglage de la température (H) dans la prise du dispositif située sur le côté droit du fumoir (D).

REMARQUE : L'enveloppe blanche translucide en caoutchouc du dispositif de réglage de la température (H) est conçue pour le protéger en cas de pluie.

REMARQUE : Cette enveloppe est résistante à l'eau, mais elle n'est pas étanche.

REMARQUE : N'utilisez PAS ce fumoir lorsqu'il pleut ni pendant un orage. Si possible, débranchez le fumoir de la prise de courant et mettez-le à l'abri dans un endroit sec et protégé.



INSTRUCTIONS POUR LA PREMIÈRE UTILISATION

Avant de cuire des aliments dans votre fumoir, vous devez préparer celui-ci. La marche à suivre ci-dessous permet de nettoyer et de préparer votre fumoir pour la fumaison initiale.

1. Réglez la température du fumoir à MED (moyen) et la durée de fumaison à deux heures.
2. Durant la première heure, retirez le plateau avec la cuve à eau et le contenant à copeaux de bois. Ne placez AUCUN aliment dans le fumoir pendant cette opération.
3. Durant la deuxième heure, mettez le plateau avec la cuve à eau et le contenant à copeaux de bois dans son emplacement et ajoutez uniquement du bois dans le contenant à copeaux de bois. Laissez le bois brûler pendant l'heure restante.
4. Une fois cette opération terminée, laissez le fumoir se refroidir, puis retirez les cendres et les résidus du contenant à copeaux refroidi. Assurez-vous également que la cuve à eau adjacente s'est refroidie lorsque vous effectuez ce nettoyage.

Ajouter de l'eau et du bois au fumoir

1. Ajoutez du bois dans le contenant à copeaux de bois avant de mettre le plateau avec la cuve à eau et le contenant à copeaux de bois dans le fumoir. Évitez de remplir excessivement le contenant de copeaux et assurez-vous que le couvercle du contenant à copeaux de bois s'insère aisément.
REMARQUE : Vous êtes entièrement libre de décider de la quantité et du type de bois à utiliser selon vos goûts. Nous vous recommandons de commencer d'abord par de petites quantités de bois.
2. Mettez le plateau avec la cuve à eau et le contenant à copeaux de bois dans le fumoir, puis ajoutez de l'eau à la cuve à eau. Remplissez-la jusqu'à 2,54 cm du bord. Fermez la porte.
3. Réglez ensuite la température sur le réglage voulu (LOW-faible, MEDIUM-moyen ou HIGH-élevé) et faites les réglages nécessaires jusqu'à ce que la jauge de température indique la température désirée.

Vérification du niveau d'eau et de bois pendant l'opération

- Pour vérifier le niveau d'eau pendant que le fumoir est en cours d'utilisation, donc CHAUD, ouvrez LENTEMENT la porte afin de permettre à la chaleur et à la fumée accumulées de s'échapper. Remettez de l'eau si nécessaire – ÉVITEZ de toucher à toute partie de l'intérieur du fumoir ou à la porte. Ensuite, refermez LENTEMENT et SOIGNEUSEMENT la porte du fumoir.
- Pour vérifier le niveau de bois pendant que le fumoir est en cours d'utilisation, donc CHAUD, ouvrez LENTEMENT la porte afin de permettre à la chaleur et à la fumée accumulées de s'échapper. À l'aide d'un gant de cuisine ou de tout autre gant de protection anti-chaleur, retirez SOIGNEUSEMENT le couvercle du contenant à copeaux de bois. Une fois le couvercle soulevé, utilisez un ustensile à long manche pour remuer les cendres et ajouter du bois avec précaution. ÉVITEZ de toucher à toute partie de l'intérieur du fumoir ou à la porte. Toujours à l'aide d'un gant de cuisine ou de tout autre gant de protection anti-chaleur, remettez SOIGNEUSEMENT le couvercle du contenant à copeaux de bois dans la bonne position. Ensuite, refermez LENTEMENT et SOIGNEUSEMENT la porte du fumoir.

INSTRUCTIONS DE CUISSON

IMPORTANT : Nettoyez et inspectez le fumoir au complet avant de l'utiliser.

- Remplissez le contenant à copeaux de bois de copeaux aromatisants et placez-le avec son couvercle à l'endroit approprié dans le tiroir réservé à cet effet, de la manière indiquée dans la section sur l'assemblage du présent manuel d'utilisation. Vous êtes entièrement libre de décider de la quantité et du type de bois à utiliser selon vos goûts. Pour la vérification du niveau de bois et l'ajout de bois au contenant à copeaux, reportez-vous à la page 21 du présent manuel.
- Placez la cuve à eau à l'intérieur du tiroir réservé à cet effet, de la manière indiquée dans la section sur l'assemblage du présent manuel d'utilisation. Remplissez d'eau (ou d'un autre liquide similaire tel que de la bière ou du jus de pomme) la cuve à eau avec précaution jusqu'à 25 mm (1 po) du bord. ÉVITEZ de trop remplir la cuve ou de la faire déborder. Pour la vérification du niveau d'eau et l'ajout d'eau à la cuve, reportez-vous à la page 21 du présent manuel.
- Insérez ou ajustez les grilles de fumaison selon la position souhaitée. Pour accéder plus facilement aux aliments à l'aide de pinces ou de spatules :
 1. N'utilisez que les grilles dont vous avez besoin.
 2. Assurez-vous que les grilles sont insérées correctement, de la manière illustrée dans la section sur l'assemblage. Le fait d'huiler les grilles de fumaison à l'aide d'une huile ou d'un aérosol de cuisson avant de placer la viande dessus facilitera le nettoyage par la suite.
- Placez les aliments sur les grilles de fumaison en formant une seule couche et en laissant de l'espace entre les morceaux. La fumée et la chaleur humide pourront ainsi circuler de façon uniforme entre les morceaux.

INSTRUCTIONS DE CUISSON

- Selon le type de viande et la taille des morceaux, une fumaison d'une durée de 2 ou 3 heures à une température de cuisson idéale constante de 225 °F à 250 °F permettra d'obtenir les meilleurs résultats. Pour une viande plus tendre à saveur de fumée plus prononcée, une fumaison à température de 220 °F à 240 °F et d'une durée de 4 à 6 heures ou plus sera préférable. Si le temps est un facteur critique, une température plus élevée est recommandée. Une mesure de temps courante consiste à allouer de 45 à 60 minutes de fumaison par livre de viande. À noter que la durée requise varie selon que la viande est désossée ou non.
- Conseils relatifs au bois aromatisant :
 - L'utilisation de petits copeaux de bois est préférable dans le contenant à copeaux de bois.
 - Utilisez des morceaux de bois dur secs, par exemple des copeaux de noyer, de pacanier, de pommier, de cerisier ou de mesquite.
 - N'utilisez **PAS** de bois résineux comme le pin. Ils produisent habituellement une saveur désagréable.
 - Laissez-vous guider par votre goût. Faites des essais avec différents types de bois et différentes quantités de morceaux, de copeaux et de bâtonnets de bois. Vous pouvez également mêler différents types de bous.
 - Pour prolonger la production de fumée et empêcher que le bois ne brûle trop vite, faites tremper le bois dans l'eau pendant au moins 30 minutes au préalable. (Reportez-vous aux instructions du fabricant de copeaux.)
 - La majeure partie de la saveur conférée par la fumaison s'obtient pendant les premières heures de la fumaison. Habituellement, l'ajout de copeaux après cette période n'est pas nécessaire, à moins qu'on souhaite obtenir une saveur de fumée très prononcée.

ENTRETIEN APRÈS UTILISATION

MISE EN GARDE : Les opérations d'entretien ne doivent être effectuées que lorsque le fumoir est éteint, s'est complètement refroidi et a été débranché de la source d'alimentation électrique.

- Pour nettoyer le plateau avec la cuve à eau, le contenant à copeaux de bois et les grilles de cuisson, retirez-les du fumoir. Nettoyez-les avec de l'eau chaude et savonneuse, rincez-les à fond et séchez-les complètement. Pour faciliter le nettoyage, huilez légèrement les grilles de cuisson à l'aide d'une huile ou d'un aérosol de cuisson avant chaque utilisation.
- Pour nettoyer l'intérieur et l'extérieur du fumoir, utilisez simplement un linge humide. Le nettoyage à l'aide d'un boyau d'arrosage est déconseillé. Toute trace d'humidité doit être essuyée. Ne laissez pas d'eau sur la surface extérieure ou intérieure du fumoir.
- Une fois que les cendres se sont complètement refroidies, retirez le plateau avec la cuve à eau et le contenant à copeaux de bois et videz-le complètement des cendres et morceaux de bois non brûlé qu'il contient, puis essuyez le contenant pour le débarrasser des résidus.
- Inspectez et nettoyez fréquemment le fumoir pour le débarrasser des insectes et des nids d'insectes qui pourraient s'y trouver.
- Inspectez le cordon d'alimentation électrique avant chaque utilisation pour vous assurer qu'il est en bon état.
- S'il semble endommagé ou fendu, n'utilisez **PAS** le dispositif électrique de réglage de la température.
- Pour protéger votre fumoir des éléments, recouvrez-le lorsque vous ne l'utilisez pas et entreposez-le dans un endroit sec.
- Nous vous recommandons de **NE PAS** entreposer ce fumoir électrique à l'extérieur ou dans un endroit exposé où les intempéries sont susceptibles d'endommager le fumoir ou d'avoir un effet néfaste sur son fonctionnement.
- Vous pouvez vous procurer une housse résistante aux intempéries pour le fumoir.

DÉPANNAGE

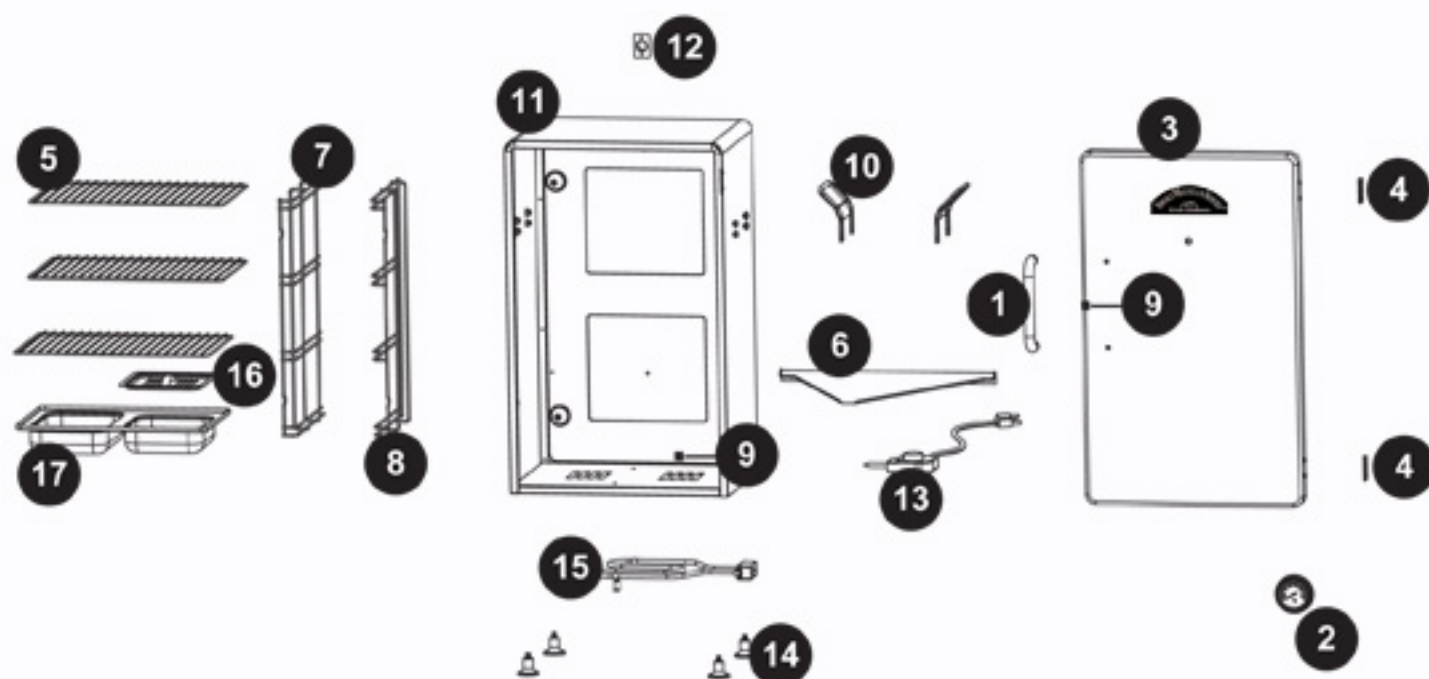
PROBLÈME	CAUSE POSSIBLE	MESURE CORRECTIVE
La flèche lumineuse du dispositif de réglage de la température ne s'allume pas.	<ol style="list-style-type: none">1. Le cordon d'alimentation n'est pas branché sur une prise.2. Le disjoncteur de la maison a été déclenché.3. Une défaillance du dispositif de réglage de la température s'est produite.	<ol style="list-style-type: none">1. Vérifiez le branchement sur la prise.2. Vérifiez les fusibles ou le disjoncteur. Ne branchez PAS d'autres appareils sur le même circuit électrique.3. Ne vous servez PAS du fumoir et communiquez avec le fabricant.
Durée de chauffage supérieure à la normale.	<ol style="list-style-type: none">1. La porte n'est pas complètement refermée.2. Une défaillance du dispositif de réglage de la température s'est produite.3. Une rallonge a été utilisée.	<ol style="list-style-type: none">1. Fermez bien la porte.2. Ne vous servez PAS du fumoir et communiquez avec le fabricant.3. Cessez d'utiliser une rallonge.
Pas de fumée.	<ol style="list-style-type: none">1. Pas de bois dans le contenant à copeaux de bois.2. L'élément chauffant ne fonctionne pas.	<ol style="list-style-type: none">1. Ajoutez du bois au contenant à copeaux de bois.2. Ne vous servez PAS du fumoir et communiquez avec le fabricant.
La flèche lumineuse du dispositif de réglage de la température est allumée, mais le fumoir ne chauffe pas.	<ol style="list-style-type: none">1. Une défaillance du dispositif de réglage de la température s'est produite.2. L'élément chauffant ne fonctionne pas.	<ol style="list-style-type: none">1. Ne vous servez PAS du fumoir et communiquez avec le fabricant.2. Ne vous servez PAS du fumoir et communiquez avec le fabricant.
Le dispositif de réglage de la température ne permet pas de régler la température.	<ol style="list-style-type: none">1. Une défaillance du dispositif de réglage de la température s'est produite.	<ol style="list-style-type: none">1. Ne vous servez PAS du fumoir et communiquez avec le fabricant.
La température chute brutalement ou le fumoir s'éteint prématurément.	<ol style="list-style-type: none">1. Une défaillance du dispositif de réglage de la température s'est produite.	<ol style="list-style-type: none">1. Ne vous servez PAS du fumoir et communiquez avec le fabricant.

GARANTIE

Ce fumoir électrique est garanti contre les défauts de matériaux et de fabrication lorsqu'il est correctement assemblé, utilisé et entretenu selon les directives fournies dans le présent manuel pendant une période de un (1) an à compter de la date d'achat initiale. Les surfaces peintes sont garanties contre tout défaut, à l'exception de la rouille qui peut apparaître après une utilisation répétée, pendant 90 jours à compter de la date d'achat originale. Cette garantie ne couvre pas les dommages ou les problèmes découlant de la négligence, d'une utilisation inappropriée, d'un accident, de dommages en cours de transport, d'une utilisation commerciale ni de TOUTE modification apportée au produit. La garantie ne couvre pas les coûts de main-d'oeuvre. Cette garantie est la seule garantie offerte et remplace toute autre garantie explicite ou implicite, y compris, sans s'y limiter, les garanties de qualité marchande et d'aptitude à un usage particulier.

LISTE DES PIÈCES DE RECHANGE

Pour obtenir des pièces de rechange, communiquez avec notre service à la clientèle au 1-800-321-3473, entre 9h et 5 h (HNE).



PIÈCE	DESCRIPTION	N° DE PIÈCE
1	Poignée de porte	ES0150
2	Jauge de température	ES0151
3	Porte	ES0170
4	Charnière de porte	ES0153
5	Grille de fumaison	ES0155
6	Plaque anti-graisse	ES0156
7	Support du cadre gauche	ES0157
8	Support du cadre droit	ES0158
9	Aimant de porte	ES0159
10	Poignée latérale	ES0160
11	Armoire	ES0161
12	Tube d'évacuation arrière	ES0162
13	Dispositif de réglage de la température	ES0163
14	Pied	ES0164

PIÈCE	DESCRIPTION	N° DE PIÈCE
15	Élément chauffant	ES0163
16	Couvercle de contenant à copeaux de bois	ES0166
17	Plateau avec cuve à eau et contenant à copeaux de bois	ES0167
AA	Boulon M5 de 16 mm	ES0175
BB	Rondelle plate de 5 mm	ES0176
CC	Rondelle à ressort de 5 mm	ES0177
DD	Écrou M5	ES0178
EE	Boulon de structure	ES0154

REMARQUE : Reportez-vous à la section « Quincaillerie incluse » pour consulter des illustrations de la quincaillerie que vous pouvez commander.

Imprimé en CHINE

Pour plus d'informations concernant l'achat d'une couverture pour ce fumoir électrique, visitez notre site Web à www.landmann-usa.com ou communiquer avec notre service à la clientèle au 1-800-321-3473.
Lundi - Vendredi, de 9h à 5pm





AHUMADOR ELÉCTRICO

MODELO #32946/32948/32950



ADJUNTE SU RECIBO AQUÍ

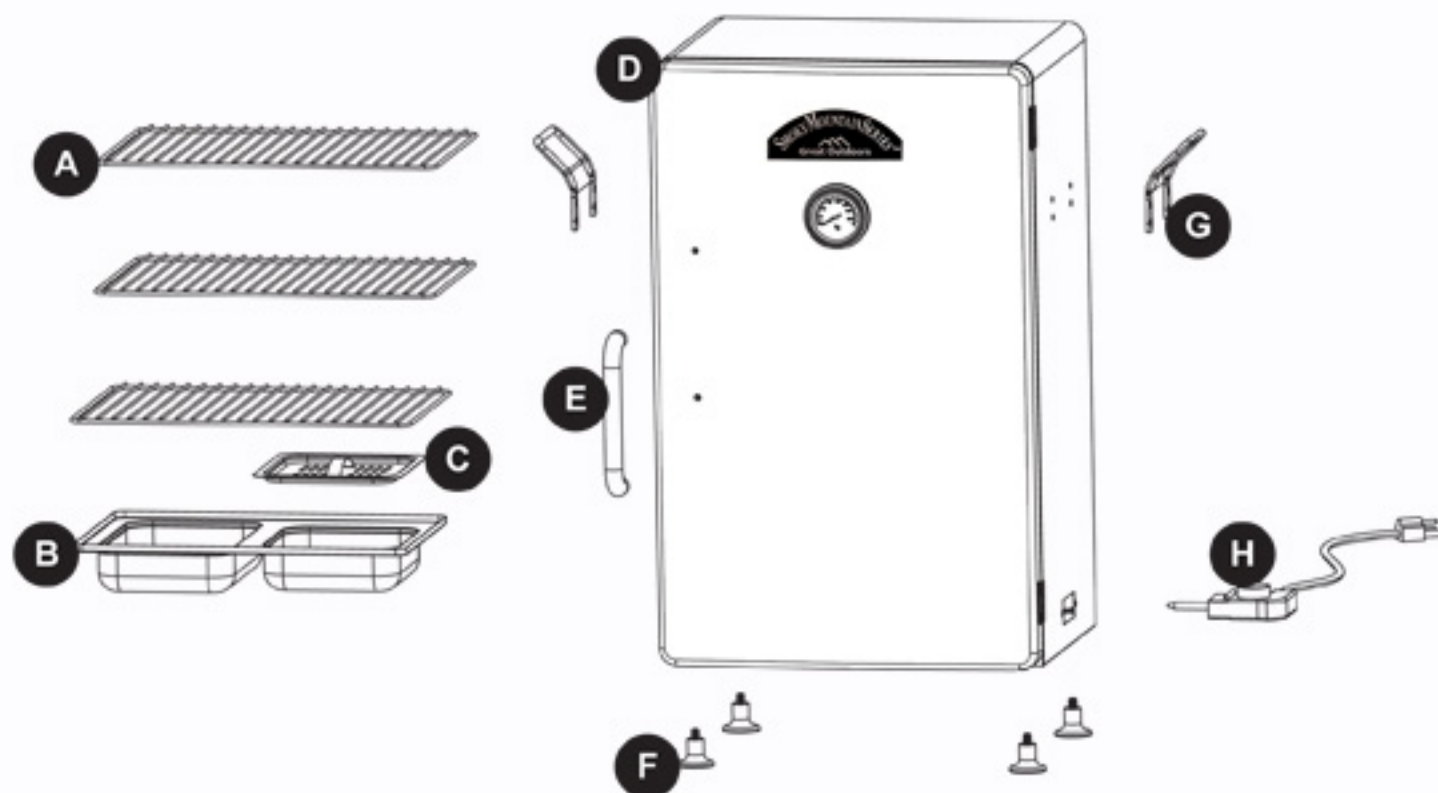
Número de serie _____ Fecha de compra _____



¿Preguntas, problemas, piezas faltantes? Antes de volver a la tienda, llame a nuestro Departamento de Servicio al Cliente al 1-800-321-3473 de lunes a jueves hora estándar del Este. 9:00 a.m. a 5:00 p.m.

Contenido del paquete	29
Aditamentos.....	29
Medidas de seguridad importantes	30
Preparación	32
Instrucciones de ensamblaje	32
Instrucciones de uso inicial.....	34
Instrucciones operativas.....	35
Instrucciones de cocina	35
Cuidado y mantenimiento.....	36
Solución de problemas	37
Garantía.....	37
Lista de piezas de repuesto.....	38

CONTENIDO DEL PAQUETE



PIEZA	DESCRIPCIÓN	CANTIDAD
A	Rejilla de ahumado	3
B	Bandeja para agua y bandeja para astillas de madera	1
C	Tapa de la bandeja para astillas de madera	1
D	Gabinete	1
E	Manija de la puerta	1
F	Pata	4
G	Manija lateral	2
H	Controlador de temperatura	1

ADITAMENTOS (se muestran en tamaño real)

AA



Perno M5x16
mm
Cant. 8

BB



Arandela de
resorte de 5 mm
Cant. 8

CC



Arandela plana
de 5 mm
Cant. 16

DD



Tuerca M5
Cant. 8

EE



Perno de cuello
cuadrado
Cant. 2



MEDIDAS DE SEGURIDAD IMPORTANTES

Lea y comprenda completamente este manual antes de intentar ensamblar, usar o instalar el producto. Lea todas las instrucciones.

- **NO** utilice el electrodoméstico para otro fin que no sea el especificado. **NO** está destinado al uso comercial.
- **NO** está hecho para ser instalado o utilizado en vehículos recreacionales o botes.
- **NO** utilice el ahumador como calefactor.
- Utilícelo solo en tomacorrientes con la debida puesta a tierra. Desenchufe el electrodoméstico del tomacorriente cuando no esté en uso y antes de limpiarlo. Para desconectar, gire el control a APAGADO, luego retire el enchufe del tomacorriente de pared. Deje que se enfríe antes de instalar o retirar piezas.
- **NO** utilice ningún electrodoméstico si tiene algún cable o enchufe dañado, si ha presentado fallas o si se ha dañado de alguna forma. Devuelva el electrodoméstico al local de servicio autorizado más cercano para una revisión, reparación o ajuste.
- Revise que el ahumador esté completamente ensamblado y listo para funcionar antes de conectarlo al tomacorriente. **NO** utilice ningún electrodoméstico si tiene algún cable o enchufe dañado, si ha presentado fallas o si se ha dañado de alguna forma.
- Para protección contra descarga eléctrica, no sumerja el cable, los enchufes o piezas eléctricas en agua u otros líquidos. **NO** exponga el ahumador al agua en ningún momento.
- **NO** utilice el ahumador bajo lluvia o tormenta. (Si es posible, desconecte el ahumador del tomacorriente y colóquelo en un lugar seco y protegido).
- Proteja el cable eléctrico de cualquier tipo de daño, superficies calientes y/o humedad. **NO** permita que el cable cuelgue del borde de la mesa o mesón, ni que toque superficies calientes.
- El uso de alcohol, medicamentos con o sin receta pueden afectar la capacidad del usuario para ensamblar y utilizar este ahumador de manera correcta.
- Utilice este ahumador solo en exteriores, en lugares bien ventilados. **NO** utilice el ahumador en lugares cerrados, cocheras o bajo construcciones aéreas.
- Tenga cuidado al ensamblar y al utilizar el ahumador para evitar cortes y rasguños con los bordes ásperos o filudos.
- Tenga cuidado al levantar y/o mover el ahumador para evitar torceduras o lesiones en la espalda. Se recomienda levantar el ahumador entre dos (2) personas. **NO** mueva el ahumador mientras se encuentre funcionando. Se debe tener extrema precaución al mover un electrodoméstico que contenga aceite caliente u otros líquidos calientes.
- **NO** utilice el ahumador cerca o bajo materiales inflamables o de fácil combustión como terrazas, pórticos o entradas para automóviles. El ahumador debe estar al menos a 60,96 cm de distancia de cualquier estructura o material combustible.
- Utilice el ahumador solo sobre superficies estables, niveladas e incombustibles, como asfalto, concreto o terrenos sólidos. **NO** utilice el ahumador sobre superficies inflamables como alfombras o terrazas de madera.
- **NO** lo ubique ni utilice sobre mesas o mostradores.
- **NO** almacene el ahumador cerca de gasolina u otros líquidos combustibles o en lugares donde pueda haber vapores inflamables.
- Almacene el ahumador en interiores cuando no esté en uso, fuera del alcance de los niños. **NO** almacene ni utilice el ahumador en un área accesible para niños y mascotas. Almacene el ahumador en un lugar seco y protegido.
- **NO** descuide el ahumador mientras esté funcionando. Es necesaria una estricta supervisión cuando los niños utilicen el electrodoméstico o estén cerca de él.
- **NO** permita que se realicen actividades cerca del ahumador durante o después de su uso hasta que se haya enfriado por completo. Se calienta al utilizarlo y permanece así por un tiempo después de su uso.
- **NO** deje cenizas prendidas sin vigilancia hasta que el ahumador se haya enfriado por completo.
- **NO** toque las superficies calientes. Use las manijas o perillas. Si necesita manipular el ahumador o alguno de sus componentes mientras aún se encuentran calientes, utilice SIEMPRE guantes de protección o resistentes al calor.



MEDIDAS DE SEGURIDAD IMPORTANTES

- El contenedor de agua, la caja para astillas de madera y el contenedor de grasa deben permanecer dentro del ahumador mientras este se encuentre funcionando o hasta que se haya enfriado por completo. Estos elementos contienen líquido, brasas y grasa caliente y podrían causar lesiones graves. Si necesita mover estos componentes utilice SIEMPRE guantes de horno o resistentes al calor.
- Para desechar las cenizas, envuélvalas en papel de aluminio resistente y luego colóquelas en un recipiente incombustible. Verifique que no haya otros materiales inflamables dentro o cerca del recipiente. Si necesita desechar brasas antes de que se enfrien por completo, retírelas del ahumador, colóquelas en papel de aluminio resistente, sumérgalas completamente en agua y luego colóquelas en un recipiente incombustible.
- **NO** cubra las rejillas del ahumador con ningún tipo de papel de aluminio, ya que esto podría ocasionar serios daños al ahumador.
- **NO** obstruya el flujo del aire de la combustión ni el aire de ventilación del ahumador.
- Tenga **CUIDADO** al manipular la tapa mientras se encuentre funcionando. Recójase el cabello largo durante el uso del ahumador. Utilice SIEMPRE calzado que cubra todo el pie al utilizar el ahumador.
- **NUNCA** deje utensilios de vidrio, plástico o cerámica encima o dentro del ahumador.
- **NUNCA** utilice el ahumador con el contenedor de agua vacío. **NUNCA** deje que el agua del contenedor se evapore por completo. **NO** limpie este producto con un rociador de agua o un elemento similar.
- Revise el nivel de agua al menos cada dos horas. Si siente un ruido extraño o ve humo saliendo del ahumador es posible que el nivel de agua esté demasiado bajo (debido a que habrá grasa de carne cayendo en el contenedor de agua vacío y caliente). Tenga cuidado al realizar esto ya que podría salpicarle agua caliente y causarle lesiones graves.
- Si utiliza maderas aromáticas añada una cantidad suficiente antes de utilizar el ahumador para no tener que estar añadiendo cuando el ahumador esté en funcionamiento.
- El uso de accesorios no recomendados por el fabricante del electrodoméstico podría provocar lesiones.
- Desconecte el cable eléctrico y guárdelo en un lugar seco y seguro cuando no utilice el ahumador.
- Electricidad corto (o cable de suministro de electricidad desmontable) para reducir el riesgo de enredarse o tropezar con un cable más largo. Cables de suministro de electricidad desmontables o extensiones eléctricas más largas están disponibles y se pueden utilizar si se tiene cuidado al utilizarlos. Si se utiliza un cable de suministro de electricidad desmontable o extensiones eléctricas más largas: (1) la clasificación eléctrica marcada en el juego de cables o la extensión eléctrica debe ser al menos equivalente a la del electrodoméstico, y (2) el cable debe ubicarse de manera que no quede sobre cubiertas prefabricadas o cubiertas de mesa donde un niño pueda jalarlo o donde represente un riesgo de tropiezo involuntario. Debe mantener la conexión de la extensión eléctrica seca y separada del suelo.
- Las extensiones eléctricas para exteriores deben utilizarse con productos para uso en exteriores. Estas extensiones tienen la superficie marcada con el sufijo "W" y una etiqueta que dice "Apto para uso con electrodomésticos para exteriores".
- **NO** utilice el ahumador si el elemento calentador no funciona. Si esto sucede, apague el ahumador y desconecte el cable eléctrico. Revise la guía de Solución de problemas de este manual.
- **NO** utilice el ahumador si la luz de encendido o la pantalla LED no funcionan. Revise la guía de Solución de problemas de este manual.
- **NO** coloque carbón ni pellas de madera en la bandeja para astillas de madera.
- Con este aparato no debe utilizarse combustible, tal como briquetas de carbón.
- **NO** coloque el electrodoméstico sobre o cerca de un quemador a gas o eléctrico caliente, ni dentro de un horno con calor.
- **NO** cubra el ahumador si aún se encuentra caliente.
- Todas las instalaciones deben realizarse de acuerdo con los códigos de prevención de incendios locales, federales y estatales.
- **MANTENGA** el extintor de incendios a mano en todo momento.
- La combustión de la madera genera monóxido de carbono, lo que puede causar la muerte.
- **NO** quemar trozos de madera al interior de la casa, vehículos, carpas, garajes o en cualquier lugar cerrado.

GUARDE ESTAS INSTRUCCIONES

PREPARACIÓN

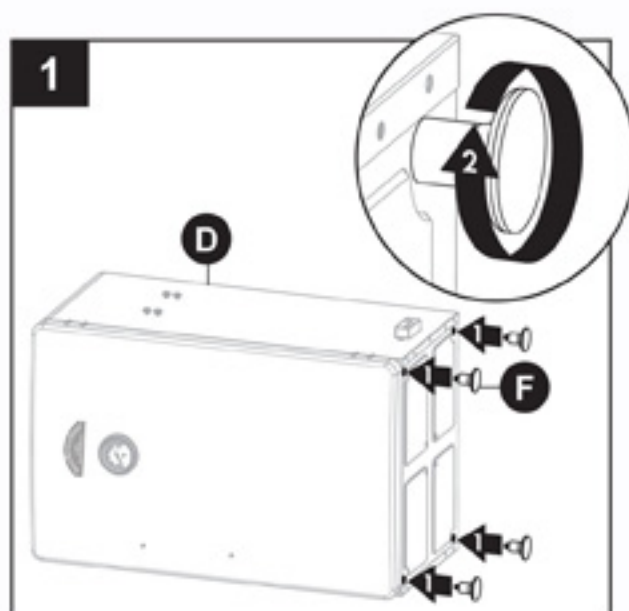
Antes de comenzar a ensamblar el producto, asegúrese de tener todas las piezas. Compare las piezas con la lista de contenido del paquete en la página 27 y la lista de aditamentos en la página 27. No intente ensamblar el producto si falta alguna pieza o si estas están dañadas. Póngase en contacto con el Departamento de Servicio al Cliente para obtener piezas de repuesto.

Tiempo estimado de ensamble: 15 a 20 minutos

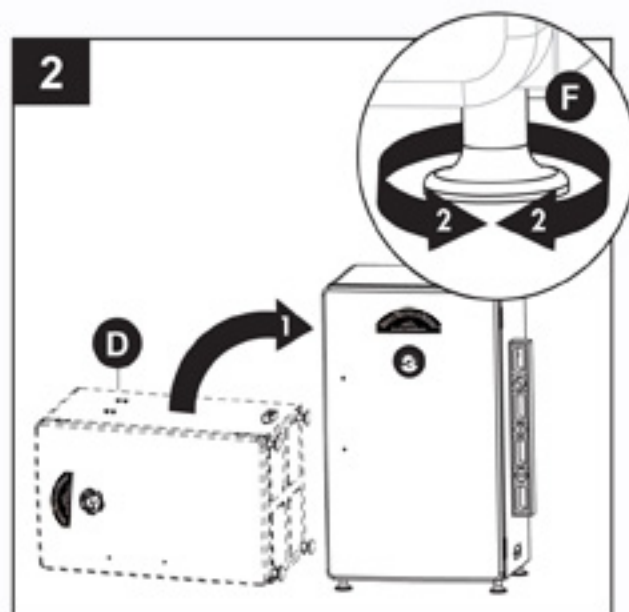
Herramientas necesarias para el ensamblaje (no se incluyen): Destornillador Phillips, llave ajustable.
Herramientas útiles (no se incluyen): Nivel

INSTRUCCIONES DE ENSAMBLAJE

1. Coloque el gabinete (D) con cuidado sobre su lado izquierdo. Coloque cuatro patas (F) en los orificios de la parte inferior del gabinete (D).



2. Coloque el gabinete (D) erguido con cuidado. Nivele el gabinete (D), para esto coloque un nivel (no se incluye) en el lado del gabinete (D) y ajuste las patas (F) hasta que se nivele.



INSTRUCCIONES DE ENSAMBLAJE

3. Fije la manija lateral (G) con cuatro arandelas de resorte de 5 mm (BB), cuatro arandelas planas de 5 mm (CC) y cuatro pernos M5x16 (AA). Fije desde el interior con cuatro arandelas planas de 5 mm (CC) y cuatro tuercas M5 (DD). Repita el mismo procedimiento para la manija lateral restante (G).

Aditamentos utilizados

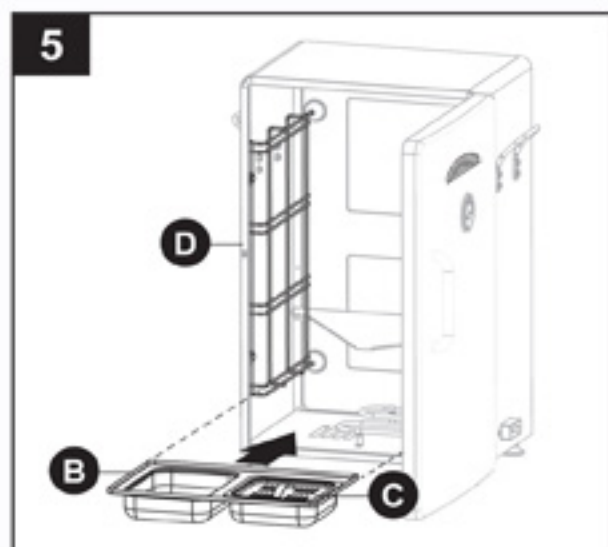
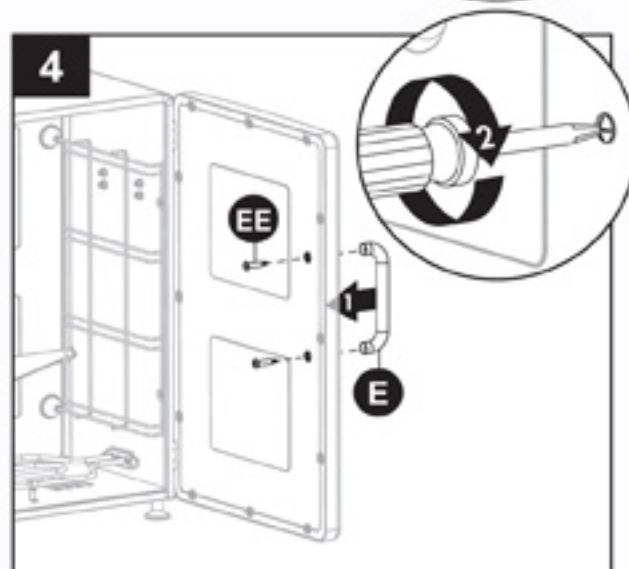
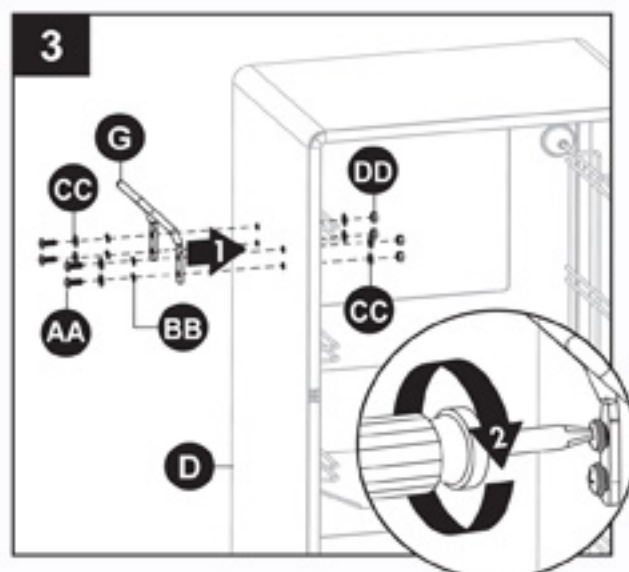
AA	Perno corto M5 de 16 mm		x 8
BB	Arandela de resorte 5 mm		x 8
CC	Arandela plana 5 mm		x 16
DD	Tuerca M5		x 8

4. Fije la manija de la puerta (E) con dos pernos de cuello cuadrado (EE).

Aditamentos utilizados

EE	Perno de cuello cuadrado		x 2
-----------	--------------------------	---	-----

5. Coloque la bandeja para agua y la bandeja para astillas de madera (B) y la tapa de la bandeja para astillas de madera (C) en la parte más baja del gabinete (D).

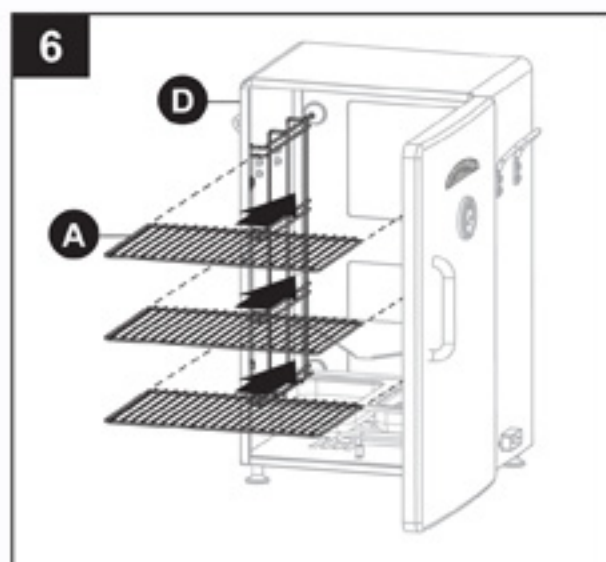


INSTRUCCIONES DE ENSAMBLAJE

- Coloque cada rejilla de ahumado (A) en su lugar en el gabinete (D).

NOTA: Se recomienda mantener estas rejillas dentro del ahumador cuando NO lo use.

Cuando lo use, utilice solo la cantidad de rejillas necesarias para sostener la comida.

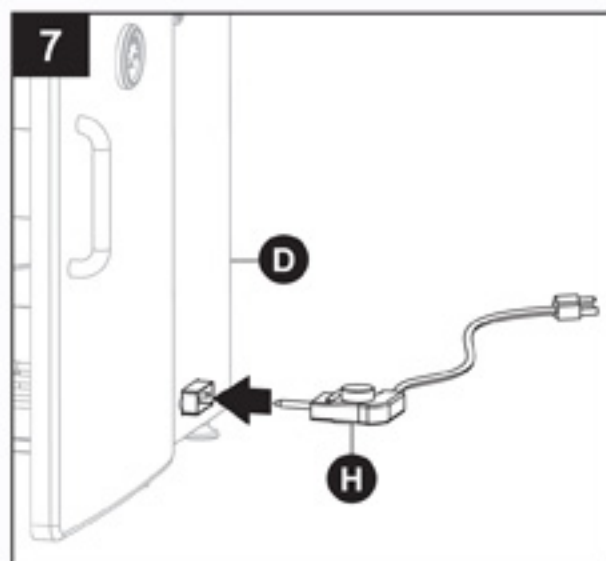


- Coloque el controlador de temperatura (H) dentro del conector del controlador en el lado derecho del gabinete (D).

NOTA: La envoltura blanca translúcida de goma sobre el controlador de temperatura (H) está diseñada para proteger al mismo en caso de lluvia durante el funcionamiento.

NOTA: Esta envoltura solo es resistente al agua y no se considera impermeable.

NOTA: NO haga funcionar este ahumador durante lluvia o tormenta. De ser posible, desconecte el ahumador de la alimentación eléctrica y desplácelo a un lugar seco y protegido.



INSTRUCCIONES DE USO INICIAL

Es importante que prepare el ahumador antes de utilizarlo para cocinar. Siga el procedimiento a continuación para limpiar y preparar el ahumador para su primer uso.

- Ajuste la temperatura del ahumador a MED (medio) y el tiempo para que funcione dos horas.
- Para la primera hora, retire la bandeja para agua y la bandeja para astillas de madera. NO coloque comida en el ahumador durante este proceso.
- Para la segunda hora, coloque la bandeja para agua y la bandeja para astillas de madera en su lugar y solo agregue madera en la bandeja para astillas de madera. Deje que la madera se queme durante la segunda hora.
- Cuando se haya completado este procedimiento, deje que el ahumador y la bandeja para astillas de madera se enfrien antes de retirar las cenizas y los residuos de madera. Además asegúrese de que el contenedor de agua al costado también se encuentre frío al realizar la limpieza.

Adición de agua y madera al ahumador

1. Agregue madera a la bandeja para astillas de madera antes de colocar ambas bandejas en el ahumador. Asegúrese de no llenar en exceso la bandeja con madera y que la tapa de la bandeja para astillas de madera encaje adecuadamente

NOTA: La cantidad y el tipo de madera que utilice dependen completamente de usted. Se recomienda empezar con cantidades pequeñas de madera al principio.

2. Coloque la bandeja para agua y la bandeja para astillas de madera en el ahumador y luego agregue agua en la bandeja para agua. Llène hasta 2,54 cm por debajo del reborde. Cierre la puerta.
3. Ajuste el controlador de temperatura a la configuración que prefiera (LOW/MED/HIGH) y regule hasta que la temperatura en el medidor de temperatura alcance la temperatura deseada.

Inspección del agua y de la madera durante el funcionamiento

- Para verificar el agua mientras que el ahumador funciona y está CALIENTE, LENTAMENTE abra la puerta para permitir que el calor y el humo acumulados puedan escapar. Vuelva a echar agua según se necesite. **TENGA CUIDADO DE NO** tocar ninguna parte del interior del gabinete o de la puerta. Por último, **DESPACIO Y CON CUIDADO**, cierre la puerta del ahumador.
- Para verificar la madera mientras que el ahumador funciona y está CALIENTE, LENTAMENTE abra la puerta para permitir que el calor y el humo acumulados puedan escapar. Con un guante para horno u otro guante que proteja del calor, **CON CUIDADO** retire la tapa de la bandeja para astillas de madera. Después de abrir la tapa, use un utensilio de mango largo para esparcir y aplanar las cenizas que quedan y agregue madera con cuidado. **TENGA CUIDADO DE NO** tocar ninguna parte del interior del gabinete o de la puerta. Nuevamente, con un guante para horno u otro guante que proteja del calor, **CON CUIDADO** vuelva a colocar la tapa de la bandeja para astillas de madera en su lugar. Por último, **DESPACIO Y CON CUIDADO**, cierre la puerta del ahumador.
- Gran parte del sabor ahumado se obtiene dentro de las primeras horas de ahumar. Generalmente, no es necesario agregar astillas después de esto, salvo que desee lograr un sabor ahumado más intenso.

INSTRUCCIONES DE COCCIÓN

IMPORTANTE: Limpie y revise el ahumador completo antes de cada uso.

- Agregue madera saborizante en la bandeja para astillas de madera y colóquela con su tapa en el lugar correspondiente de la gaveta para el contenedor de agua/bandeja para astillas de madera, como se indica en la sección de ensamble de este manual de instrucciones. La cantidad y el o los tipos de madera que utilice quedan a su completo criterio. Los procedimientos para revisar y agregar madera a la bandeja para astillas de madera se encuentran en la página 33 de este manual.
- Ubique el contenedor de agua dentro de la gaveta para el contenedor de agua/bandeja para astillas de madera, como se indica en la sección de ensamble de este manual de instrucciones. Rellene cuidadosamente el contenedor con agua (u otro líquido similar como cerveza o jugo de manzana) hasta que quede a 2,54 cm bajo su borde. **NO** rebalse ni permita que escape líquido desde el interior del contenedor de agua. El contenedor de agua debiera durar alrededor de 3 horas cuando está lleno. Los procedimientos para revisar y agregar agua al contenedor se encuentran en la página 33 de este manual.
- Inserte o ajuste las rejillas hasta ubicarlas en la posición deseada. Para facilitar el acceso a la comida utilizando tenazas o espátulas:
 1. Utilice solo las rejillas que necesite.

INSTRUCCIONES DE COCCIÓN

2. Compruebe que las rejillas están ubicadas correctamente, cómo se muestra en la sección de ensamble. Consejo para ahumar: Cubrir la o las rejillas con aceite de cocina o aceite en aerosol antes de colocar la carne, facilitará su limpieza después de su uso.
- Coloque una sola capa de carne sobre las rejillas dejando un espacio entre cada trozo. Esto permitirá que el humo y el vaho caliente circulen de manera equitativa alrededor de los alimentos.
 - Dependiendo del tipo y el tamaño de la carne, podrá obtener mejores resultados ahumando entre 2 y 3 horas idealmente a una temperatura constante de entre 107,2° y 121,1°C. Si desea que la carne quede más tierna y con un sabor más intenso, cocine entre 104,4° y 115,5°C entre 4 y 6 horas (o más). Si no cuenta con mucho tiempo, se recomienda utilizar un rango de temperatura mayor. Una medida de tiempo comúnmente utilizada es dejar ahumar entre 45 y 60 minutos por cada 0,45 kg de carne. Tome en cuenta que esto varía dependiendo de si la carne tiene o no tiene hueso.
 - Consejos sobre la madera saborizante:
 - Las astillas de madera pequeñas actúan mejor en la bandeja.
 - Utilice maderas duras secas como nogal americano, pecana, manzano, cerezo o mezquite.
 - **NO** utilice maderas resinosas como pino. Por lo general, estas maderas producen un sabor desagradable.
 - Guíese por su sentido del gusto, experimente con distintos tipos y cantidades de trozos, astillas o palos de madera. Pruebe mezclar distintos tipos de madera.
 - Para producir humo por más tiempo y evitar que la madera se queme muy rápido, sumerja la madera en agua por al menos 30 minutos antes de utilizarla. [Revise las instrucciones del fabricante de las astillas de madera].
 - Gran parte del sabor ahumado se obtiene dentro de las primeras horas de cocción. Generalmente, no es necesario agregar.

CUIDADO Y MANTENIMIENTO

¡PRECAUCIÓN!: Todas las acciones de cuidado y mantenimiento se deben llevar a cabo únicamente cuando el ahumador está apagado, completamente frío y desenchufado de la fuente eléctrica.

- Para limpiar, retire la bandeja para agua y la bandeja para astillas de madera, así como las rejillas de ahumado del ahumador. Realice la limpieza utilizando agua caliente con jabón y luego enjuague y seque completamente. Para facilitar la limpieza, le conviene cubrir las rejillas con un poco de aceite de cocina o aceite en aerosol antes de cada uso.
- Para limpiar el interior y el exterior del gabinete del ahumador, simplemente utilice un paño húmedo. No se recomienda lavar el ahumador rociando agua directamente de una manguera. Se deben secar los restos de humedad y no permitir que queden al interior o en la parte superior del ahumador.
- Una vez que las cenizas estén completamente frías, retire la bandeja para agua y la bandeja para astillas de madera con la tapa, retire por completo todas las cenizas y la madera sin quemar y limpie las bandejas hasta que no queden residuos.
- Revise con frecuencia que no haya nidos de insectos ni insectos en el ahumador.
- Revise el cable eléctrico antes de cada uso para asegurarse de que se encuentre en buenas condiciones.
- Si hay señales de cortes o daños, **NO** use el controlador de temperatura eléctrico.
- Se recomienda mantener el ahumador cubierto y almacenado en un lugar seco para protegerlo del clima y otros elementos.
- Se recomienda **NO** almacenar este ahumador eléctrico a la intemperie o en lugares donde elementos externos puedan tener efectos perjudiciales para el ahumador o su funcionamiento.
- Existen cubiertas resistentes al clima para este ahumador disponibles a la venta.

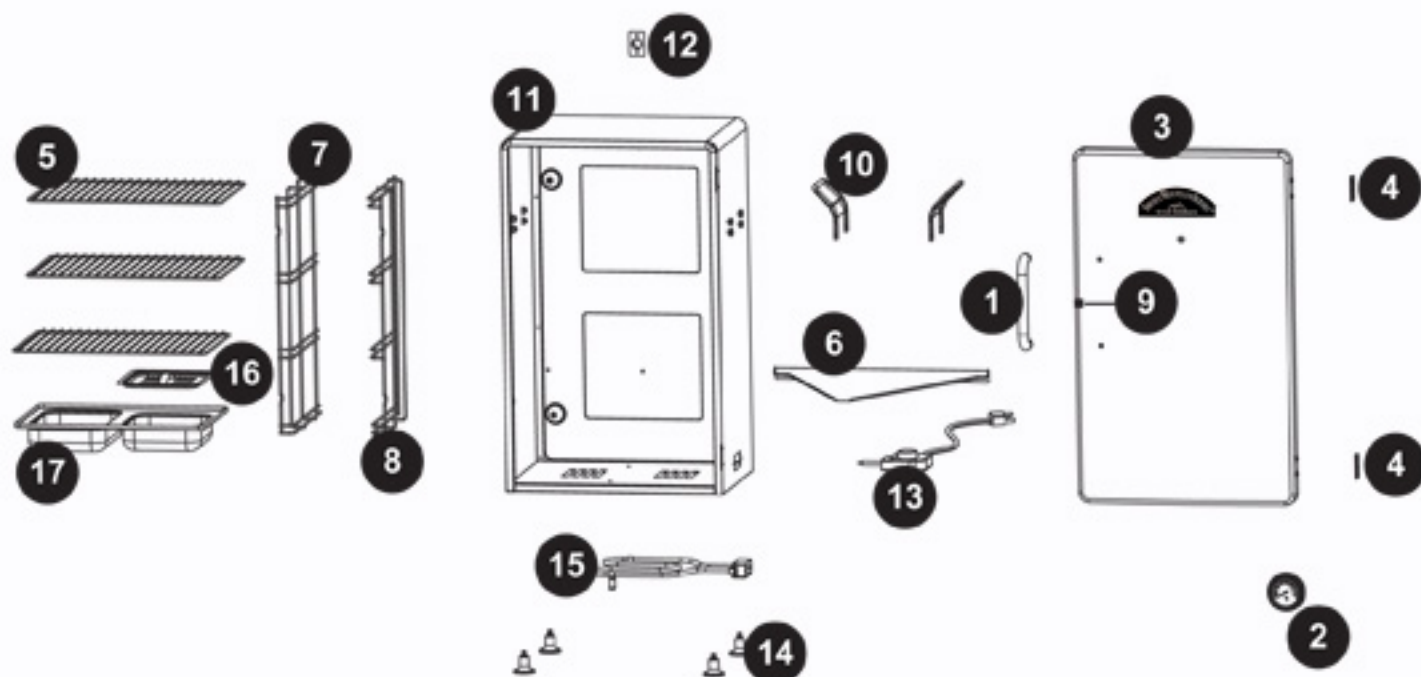
PROBLEMA	CAUSA POSIBLE	ACCIÓN CORRECTIVA
La luz en flecha del controlador de temperatura no se ilumina.	<ol style="list-style-type: none"> 1. El cable eléctrico no está enchufado en el tomacorriente. 2. El fusible principal de la casa se activó. 3. El controlador de temperatura no funcionó bien. 	<ol style="list-style-type: none"> 1. Revise la conexión del tomacorriente. 2. Verifique los fusibles de la casa. NO haga funcionar otros electrodomésticos en el mismo circuito eléctrico. 3. NO use el ahumador y póngase en contacto con el fabricante.
Tiempo de calentamiento más largo de lo normal.	<ol style="list-style-type: none"> 1. La puerta no está completamente cerrada. 2. El controlador de temperatura no funcionó bien. 3. Uso de extensión eléctrica. 	<ol style="list-style-type: none"> 1. Cierre la puerta firmemente. 2. NO use el ahumador y póngase en contacto con el fabricante. 3. Deje de usar la extensión eléctrica.
No hay humo.	<ol style="list-style-type: none"> 1. La bandeja para astillas de madera no tiene madera. 2. El elemento calentador no funciona. 	<ol style="list-style-type: none"> 1. Agregue madera a la bandeja para astillas de madera. 2. NO use el ahumador y póngase en contacto con el fabricante.
La luz en flecha del controlador de temperatura está encendida pero el ahumador no calienta.	<ol style="list-style-type: none"> 1. El controlador de temperatura no funcionó bien. 2. El elemento calentador no funciona. 	<ol style="list-style-type: none"> 1. NO use el ahumador y póngase en contacto con el fabricante. 2. NO use el ahumador y póngase en contacto con el fabricante.
El controlador de temperatura no ajusta el calor.	<ol style="list-style-type: none"> 1. El controlador de temperatura no funcionó bien. 	<ol style="list-style-type: none"> 2. NO use el ahumador y póngase en contacto con el fabricante.
La temperatura baja rápidamente o se apaga de forma prematura.	<ol style="list-style-type: none"> 1. El controlador de temperatura no funcionó bien. 	<ol style="list-style-type: none"> 1. NO use el ahumador y póngase en contacto con el fabricante.

GARANTÍA

Se garantiza que este ahumador eléctrico no presentará defectos de fabricación ni de materiales durante un período de un (1) año desde la fecha de compra original, siempre y cuando sea correctamente ensamblado y reciba el uso y el cuidado indicados en estas instrucciones. Se garantiza que la pintura de las superficies no presentará defectos por 90 días desde la fecha de compra original (a excepción del óxido que podría aparecer a causa de su uso reiterado). Esta garantía no cubre problemas relacionados con daños por causa del mal uso del producto, el uso excesivo, los accidentes, el transporte, su uso comercial o CUALQUIER tipo de modificación hecha al producto. Los gastos de reparación no están cubiertos. Esta garantía es la única garantía ofrecida y reemplaza a todas las demás garantías, ya sean expresas o implícitas, incluidas aquellas de comerciabilidad o idoneidad para un fin particular, se rechazan expresamente.

LISTA DE PIEZAS DE REPUESTO

Para obtener piezas de repuesto, llame a nuestro Departamento de Servicio al Cliente al 1-800-321-3473, de lunes a jueves hora estándar del Este. 9:00 a.m. a 5:00 p.m.



PIEZA	DESCRIPCIÓN	PIEZA #
1	Manija de la puerta	ES0150
2	Medidor de temperatura	ES0151
3	Puerta	ES0170
4	Bisagra para puerta	ES0153
5	Rejilla de ahumado	ES0155
6	Placa protectora contra la grasa	ES0156
7	Estructura de soporte izquierdo	ES0157
8	Estructura de soporte derecho	ES0158
9	Imán de la puerta	ES0159
10	Manija lateral	ES0160
11	Gabinete	ES0161
12	Tubo de ventilación posterior	ES0162
13	Controlador de temperatura	ES0163
14	Pata	ES0164
15	Elemento calentador	ES0165

PIEZA	DESCRIPCIÓN	PIEZA #
16	Tapa de la bandeja para astillas de madera	ES0163
17	Bandeja para agua y bandeja para astillas de madera	ES0167
AA	Perno M5x16 mm	ES0175
BB	Arandela plana de 5 mm	ES0176
CC	Arandela de resorte de 5 mm	ES0177
DD	Tuerca M5	ES0178
EE	Perno de cuello cuadrado	ES0154

NOTA: Consulte la sección "Aditamentos" para obtener la imagen de los aditamentos disponibles para ordenar.

Impreso en CHINA

Para obtener información sobre la compra de una cubierta para el ahumador eléctrico, visite nuestro sitio web en www.landmann-usa.com o llame a nuestro departamento de servicio al cliente al 1-800-321-3473, de lunes - viernes, de 9am a 5pm EST.



Free Manuals Download Website

<http://myh66.com>

<http://usermanuals.us>

<http://www.somanuals.com>

<http://www.4manuals.cc>

<http://www.manual-lib.com>

<http://www.404manual.com>

<http://www.luxmanual.com>

<http://aubethermostatmanual.com>

Golf course search by state

<http://golfingnear.com>

Email search by domain

<http://emailbydomain.com>

Auto manuals search

<http://auto.somanuals.com>

TV manuals search

<http://tv.somanuals.com>