



# Husqvarna®



## LC 247i, LC 347iVX, LC 353iVX



EN	Operator's manual	2-26
BG	Ръководство за експлоатация	27-53
CS	Návod k použití	54-77
DA	Bruksanvisning	78-101
DE	Bedienungsanweisung	102-128
EL	Οδηγίες χρήσης	129-156
ES	Manual de usuario	157-183
ET	Kasutusjuhend	184-207
FI	Käyttöohje	208-231
FR	Manuel d'utilisation	232-258
HR	Priručnik za korištenje	259-282
HU	Használati utasítás	283-308
IT	Manuale dell'operatore	309-334
JA	取扱説明書	335-359
LT	Operatoriaus vadovas	360-384
LV	Lietošanas pamācība	385-410
NL	Gebbruiksaanwijzing	411-436
NO	Bruksanvisning	437-460
PL	Instrukcja obsługi	461-487
PT	Manual do utilizador	488-513
RO	Instrucțiuni de utilizare	514-538
RU	Руководство по эксплуатации	539-566
SK	Návod na obsluhu	567-591
SL	Navodila za uporabo	592-615
SR	Priručnik za rukovaoca	616-640
SV	Bruksanvisning	641-664
TR	Kullanım kılavuzu	665-688
UK	Посібник користувача	689-715
ZH	操作手册	716-737

---

## Contents

---

Introduction.....	2	Troubleshooting.....	19
Safety.....	4	Transportation, storage and disposal.....	21
Assembly.....	10	Technical data.....	22
Operation.....	11	Declaration of Conformity.....	25
Maintenance.....	17	Registered trademarks.....	26

---

## Introduction

---

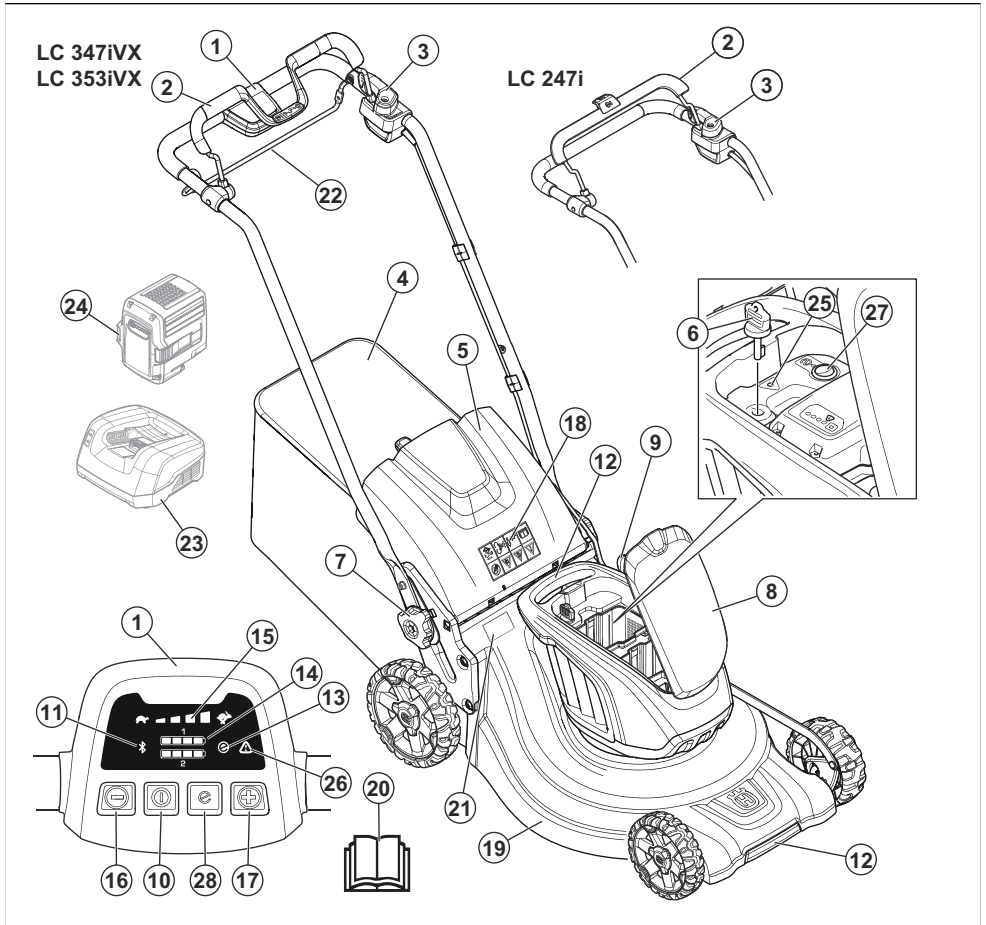
### Product description

The product is a pedestrian-controlled rotary lawn mower. The grass is collected in a grass catcher. Remove the grass catcher to get rear discharge of the grass. Attach a mulch kit (accessory) to cut the grass into fertilizer.

### Intended use

Use the product to cut grass. Do not use the product for other tasks.

## Product overview



- |   |  |
|---|--|
| 1. Control panel (LC 347iVX, LC 353iVX)                             | 16. Decrease speed button (LC 347iVX, LC 353iVX) |
| 2. Motor brake handle   | 17. Increase speed button (LC 347iVX, LC 353iVX) |
| 3. Start inhibitor  | 18. Symbols                                      |
| 4. Grass catcher  | 19. Cutting cover                                |
| 5. Rear cover   | 20. Operator's manual                            |
| 6. Safety key   | 21. Rating plate                                 |
| 7. Handle knob  | 22. Drive bail (LC 347iVX, LC 353iVX)            |
| 8. Battery cover  | 23. Battery charger (Accessory)                  |
| 9. Cutting height control   | 24. Battery (Accessory)                          |
| 10. ON/OFF button   | 25. Error LED (LC 247i)                          |
| 11. Indicator for <i>Bluetooth</i> <sup>®</sup> wireless technology | 26. Error LED (LC 347iVX, LC 353iVX)             |
| 12. Lift handles  | 27. SavE button (LC 247i)                        |
| 13. SavE indicator  | 28. SavE button (LC 347iVX, LC 353iVX)           |
| 14. Battery indicator   |  |
| 15. Speed level indicator (LC 347iVX, LC 353iVX)                    |  |

## Symbols on the product



WARNING



Read the instructions.



WARNING - Beware of thrown objects.



Keep bystanders away.



WARNING – Keep hands and feet away from the blades.



WARNING – Disconnect battery before maintenance.



The product or package of the product is not domestic waste. Recycle it at a recycling station for electrical and electronic equipment.



The product agrees with applicable EC directives.



Noise emission to the environment label as per EU and UK directives and regulations. The guaranteed sound power level of the product is specified in

Technical data on page 22 and on the label.

## IPX1

The product is drip protected.



Release the motor brake handle to stop.



Scannable code

---

**Note:** Other symbols/decals on the product refer to certification requirements for some markets.

---

## Label on the product



DANGER – Keep hands and feet away.

## Product liability

As referred to in the product liability laws, we are not liable for damages that our product causes if:

- the product is incorrectly repaired.
- the product is repaired with parts that are not from the manufacturer or not approved by the manufacturer.
- the product has an accessory that is not from the manufacturer or not approved by the manufacturer.
- the product is not repaired at an approved service center or by an approved authority.

---

## Safety

---

### Safety definitions

Warnings, cautions and notes are used to point out specially important parts of the manual.

---



**WARNING:** Used if there is a risk of injury or death for the operator or bystanders

if the instructions in the manual are not obeyed.

---



**CAUTION:** Used if there is a risk of damage to the product, other materials or



the adjacent area if the instructions in the manual are not obeyed.

---

**Note:** Used to give more information that is necessary in a given situation.

---

## General product safety warnings

---



**WARNING:** Read all safety warnings, instructions, illustrations and specifications provided with this product. Failure to follow all instructions listed below may result in electric shock, fire and/or serious injury.

---

### Save all warnings and instructions for future reference.

The term "product" in the warnings refers to your mains-operated (corded) product or battery-operated (cordless) product.

### Work area safety

- **Keep work area clean and well lit.** Cluttered or dark areas invite accidents.
- **Do not operate the product in explosive atmospheres, such as in the presence of flammable liquids, gases or dust.** The product create sparks which may ignite the dust or fumes.
- **Keep children and bystanders away while operating the product.** Distractions can cause you to lose control.

### Electrical safety

- **Product plugs must match the outlet. Never modify the plug in any way. Do not use any adapter plugs with earthed (grounded) products.** Unmodified plugs and matching outlets will reduce risk of electric shock.
- **Avoid body contact with earthed or grounded surfaces, such as pipes, radiators, ranges and refrigerators.** There is an increased risk of electric shock if your body is earthed or grounded.
- **Do not expose products to rain or wet conditions.** Water entering a product will increase the risk of electric shock.
- **Do not abuse the cord. Never use the cord for carrying, pulling or unplugging the product. Keep cord away from heat, oil, sharp edges or moving parts.** Damaged or entangled cords increase the risk of electric shock.
- **When operating a product outdoors, use an extension cord suitable for outdoor use.** Use of a cord suitable for outdoor use reduces the risk of electric shock.
- **If operating a product in a damp location is unavoidable, use a residual current device (RCD) protected supply.** Use of an RCD reduces the risk of electric shock.

### Personal safety

- **Stay alert, watch what you are doing and use common sense when operating a product. Do not use a product while you are tired or under the influence of drugs, alcohol or medication.** A moment of inattention while operating products may result in serious personal injury.
- **Use personal protective equipment. Always wear eye protection.** Protective equipment such as dust mask, non-skid safety shoes, hard hat or hearing protection used for appropriate conditions will reduce personal injuries.
- **Prevent unintentional starting. Ensure the switch is in the off-position before connecting to power source and/or battery pack, picking up or carrying the product.** Carrying products with your finger on the switch or energising products that have the switch on invites accidents.
- **Remove any adjusting key or wrench before turning the product on.** A wrench or a key left attached to a rotating part of the product may result in personal injury.
- **Do not overreach. Keep proper footing and balance at all times.** This enables better control of the product in unexpected situations.
- **Dress properly. Do not wear loose clothing or jewellery. Keep your hair and clothing away from moving parts.** Loose clothes, jewellery or long hair can be caught in moving parts.
- **If devices are provided for the connection of dust extraction and collection facilities, ensure these are connected and properly used.** Use of dust collection can reduce dust-related hazards.
- **Do not let familiarity gained from frequent use of products allow you to become complacent and ignore product safety principles.** A careless action can cause severe injury within a fraction of a second.

### Product use and care

- **Do not force the product. Use the correct product for your application.** The correct product will do the job better and safer at the rate for which it was designed.
- **Do not use the product if the switch does not turn it on and off.** Any product that cannot be controlled with the switch is dangerous and must be repaired.
- **Disconnect the plug from the power source and/or remove the battery pack, if detachable, from the product before making any adjustments, changing accessories, or storing products.** Such preventive safety measures reduce the risk of starting the product accidentally.
- **Store idle products out of the reach of children and do not allow persons unfamiliar with the product or these instructions to operate the product.** Products are dangerous in the hands of untrained users.
- **Maintain products and accessories. Check for misalignment or binding of moving parts, breakage of parts and any other condition that may affect the**

**product's operation. If damaged, have the product repaired before use.** Many accidents are caused by poorly maintained products.

- **Keep cutting tools sharp and clean.** Properly maintained cutting tools with sharp cutting edges are less likely to bind and are easier to control.
- **Use the product, accessories and tool bits etc. in accordance with these instructions, taking into account the working conditions and the work to be performed.** Use of the product for operations different from those intended could result in a hazardous situation.
- **Keep handles and grasping surfaces dry, clean and free from oil and grease.** Slippery handles and grasping surfaces do not allow for safe handling and control of the product in unexpected situations.

## Service

- **Have your product serviced by a qualified repair person using only identical replacement parts.** This will ensure that the safety of the product is maintained.
- **Never service damaged battery packs.** Service of battery packs should only be performed by the manufacturer or authorized service providers.

## Battery tool use and care

- **Recharge only with the charger specified by the manufacturer.** A charger that is suitable for one type of battery pack may create a risk of fire when used with another battery pack.
- **Use products only with specifically designated battery packs.** Use of any other battery packs may create a risk of injury and fire.
- **When battery pack is not in use, keep it away from other metal objects, like paper clips, coins, keys, nails, screws or other small metal objects, that can make a connection from one terminal to another.** Shorting the battery terminals together may cause burns or a fire.
- **Under abusive conditions, liquid may be ejected from the battery; avoid contact. If contact accidentally occurs, flush with water. If liquid contacts eyes, additionally seek medical help.** Liquid ejected from the battery may cause irritations or burns.
- **Do not use a battery pack or tool that is damaged or modified.** Damaged or modified batteries may exhibit unpredictable behavior resulting in fire, explosion or risk of injury.
- **Do not expose a battery pack or tool to fire or excessive temperature.** Exposure to fire or temperature above 130 °C / 265 °F may cause explosion.
- **Follow all charging instructions and do not charge the battery pack or tool outside the temperature range specified in the instructions.** Charging improperly or at temperatures outside the specified range may damage the battery and increase the risk of fire.

## Lawnmower safety warnings

- **Do not use the lawnmower in bad weather conditions, especially when there is a risk of lightning.** This decreases the risk of being struck by lightning.
- **Thoroughly inspect the area for wildlife where the lawnmower is to be used.** Wildlife may be injured by the lawnmower during operation.
- **Thoroughly inspect the area where the lawnmower is to be used and remove all stones, sticks, wires, bones, and other foreign objects.** Thrown objects can cause personal injury.
- **Before using the lawnmower, always visually inspect to see that the blade and the blade assembly are not worn or damaged.** Worn or damaged parts increase the risk of injury.
- **Before use, check the supply cord and any extension cord for signs of damage or aging. Do not use the lawnmower if the cord is damaged or worn. If the cord is damaged or worn during use, switch off the lawnmower and do not touch the cord before disconnecting it from the supply.** A damaged supply cord or extension cord may result in electric shock, fire and/or serious injury.
- **Check the grass catcher frequently for wear or deterioration.** A worn or damaged grass catcher may increase the risk of personal injury.
- **Keep guards in place. Guards must be in working order and be properly mounted.** A guard that is loose, damaged, or is not functioning correctly may result in personal injury.
- **Keep all cooling air inlets clear of debris.** Blocked air inlets and debris may result in overheating or risk of fire.
- **While operating the lawnmower, always wear non-slip and protective footwear. Do not operate the lawnmower when barefoot or wearing open sandals.** This reduces the chance of injury to the feet from contact with the moving blade.
- **While operating the lawnmower, always wear long trousers.** Exposed skin increases the likelihood of injury from thrown objects.
- **Do not operate the lawnmower in wet grass. Walk, never run.** This reduces the risk of slipping and falling which may result in personal injury.
- **Do not operate the lawnmower on excessively steep slopes.** This reduces the risk of loss of control, slipping and falling which may result in personal injury.
- **When working on slopes, always be sure of your footing, always work across the face of slopes, never up or down and exercise extreme caution when changing direction.** This reduces the risk of loss of control, slipping and falling which may result in personal injury.
- **Use extreme caution when reversing or pulling the lawnmower towards you. Always be aware of your surroundings.** This reduces the risk of tripping during operation.

- **Keep the supply cord away from the cutting blades.** A damaged supply cord may result in electric shock, fire and/or serious injury.
- **Switch off and remove plug from mains if the cord is entangled or damaged.** Entangled or damaged cords can increase the risk of electric shock.
- **Do not touch blades and other hazardous moving parts while they are still in motion.** This reduces the risk of injury from moving parts.
- **When clearing jammed material or cleaning the lawnmower, make sure all power switches are off and the power cord is disconnected.** Unexpected operation of the lawnmower may result in serious personal injury.

### Residual current device

- Use a residual current device with a tripping current of maximum 30 mA.

### General safety instructions



**WARNING:** Read the warning instructions that follow before you use the product.

- This product is dangerous if used incorrectly or if you are not careful. Injury or death can occur if you do not obey the safety instructions.
- This product produces an electromagnetic field during operation. This field may under some circumstances interfere with active or passive medical implants. To reduce the risk of serious or fatal injury we recommend persons with medical implants to consult their physician and the medical implant manufacturer before operating this product.
- Always be careful and use your common sense. If you are not sure how to operate the product in a special situation, stop and speak to your Husqvarna dealer before you continue.
- Keep in mind that the operator will be held responsible for accidents that involve other persons or their property.
- Keep the product clean. Make sure that you can clearly read signs and decals.
- Never allow children or people unfamiliar with these instructions to use the appliance. Local regulations may restrict the age of the operator.
- Always monitor a person, with decreased physical capacity or mental capacity, that uses the product. A responsible adult must be there at all times.
- Do not use the product if you are tired, ill, or under the influence of alcohol, drugs or medicine. This has a negative effect on your vision, alertness, coordination and judgment.
- Do not use the product if it is defective.
- Do not change this product or use it if it is possible that it has been changed by others.

### Work safety

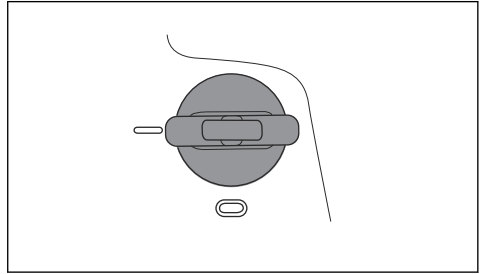


**WARNING:** Read the warning instructions that follow before you use the product.

- Use this product to cut grass lawns only. It is not permitted to use it for other tasks.
- Use personal protective equipment. Refer to *Personal protective equipment on page 8*.
- Make sure that you know how to stop the motor quickly in an emergency.
- Do not operate the product in rain or wet conditions. The risk of electrical shock increases if water enters the product.
- Do not operate the product unless the blade and all covers are attached correctly. An incorrectly attached blade can come loose and cause personal injury.
- Make sure that the blade does not hit objects such as stones and roots. This can do damage to the blade and bend the motor shaft. A bent axle causes heavy vibration and a very high risk that the blade becomes loose.
- If the blade hits an object or if vibrations occur, stop the product immediately. Stop the motor, turn the safety key to 0 and remove the battery. Wait until moving parts stop. Examine the product for damages. Tighten loose parts. Repair damages and replace damaged parts. Let an approved service agent do the repair.
- Never attach the motor brake handle permanently to the handle when the motor is started.
- Put the product on a stable, flat surface and start it. Make sure that the blade does not hit the ground or other objects.
- Always stay behind the product when you operate it.
- Let all the wheels stay on the ground and keep 2 hands on the handle when you operate the product. Keep your hands and feet away from the rotating blades.
- Do not tilt the product when you start the motor or during operation of the product.
- Be careful when you pull the product rearward.
- Never lift up the product when the motor is started. If you must lift the product, first stop the motor, turn the safety key to 0 and remove the battery.
- Do not walk rearward when you operate the product.
- Stop the motor when it is necessary to tilt the product for transportation or before you move across areas without grass, for example paths made of gravel, stone and asphalt.
- Do not run with the product when the motor is started. Always walk when you operate the product.
- Stop the motor before you change the cutting height. Never make adjustments with the motor started.

- Never let the product stay out of view with the motor started. Stop the motor and make sure that the cutting equipment does not rotate.
- The vibrations in the product during operation can be different from the declared vibration value in *Technical data on page 22*. The difference is caused by variations in how the product is used. If you operate the product frequently or for long periods of time, take breaks regularly to prevent injury from vibrations.

- If the safety key operates correctly, the motor can only start when the safety key is in position 1.



## Safety instructions for operation

### Personal protective equipment



**WARNING:** Read the warning instructions that follow before you use the product.

- Personal protective equipment cannot fully prevent injury but it decreases the degree of injury if an accident does occur. Let your dealer help you select the right equipment.
- Use heavy-duty slip-resistant boots or shoes. Do not use open shoes or go with bare feet.
- Use heavy, long pants.
- Use protective gloves when necessary, for example when you attach, examine or clean the cutting equipment.
- We recommend to use hearing protection.

### Safety devices on the product



**WARNING:** Read the warning instructions that follow before you use the product.

- Do not use a product with defective safety devices.
- Do not remove or do modifications to safety devices.
- Do a check of the safety devices regularly. If the safety devices are defective, speak to your Husqvarna service agent.

### To do a check of the cutting cover

The cutting cover decreases vibrations in the product and decreases the risk of injury from the blade.

- Examine the cutting cover to make sure that there are no damages such as cracks.

### To do a check of the safety key

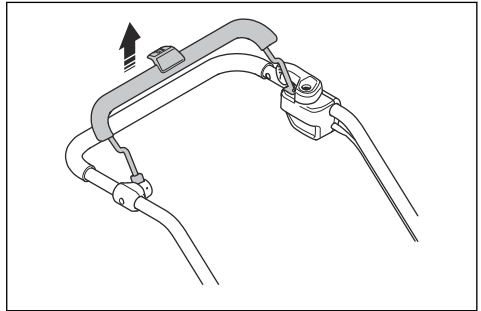
The safety key is below the battery lid. The safety key connects the battery that supplies the motor with power.

- Start and stop the motor to do a check of the safety key.

### To do a check of the motor brake handle

The motor brake handle stops the motor. When the motor brake handle is released, the motor stops.

- Start the product. Refer to *Operation on page 11*.
- Release the motor brake handle.

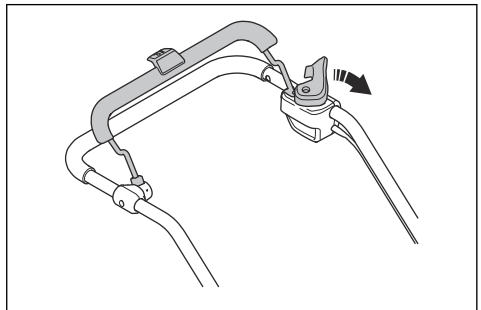


- Make sure that the product stops. If the motor does not stop in 3 seconds, let an approved Husqvarna service agent adjust the motor brake.

### To do a check of the start inhibitor

Do a check of the start inhibitor to make sure that it prevents operation of the motor.

1. Push the motor brake handle in the direction of the handlebar. The start inhibitor stops the movement.
2. Push the start inhibitor out.



3. Release the start inhibitor and make sure that it goes back to its initial position.

## Battery safety

---



**WARNING:** Read the warning instructions that follow before you use the product.

---

- Use Husqvarna rechargeable batteries as a power supply for related Husqvarna products only. To prevent injury, do not use the battery as a power supply for other devices.
- Do not use non-rechargeable batteries.
- Risk of electrical shock. Do not connect the battery terminals to keys, coins, screws or other metal. This can cause a short circuit of the battery.
- Do not put objects into the air slots of the battery.
- Keep the battery away from sunlight, heat or open flame. The battery can explode and cause burns and/or chemical burns.
- Keep the battery away from rain and wet conditions.
- Keep the battery away from microwaves and high pressure.
- Do not try to disassemble or break the battery.
- If the battery leaks, do not let the liquid touch your body or eyes. If you have touched the liquid, clean the area with a large quantity of water and get medical aid.
- Use the battery in the product only when the ambient temperature is between 5 °C - 40 °C.
- Use the battery charger only when the ambient temperature is between 5 °C - 40 °C.
- The battery will not charge if the battery temperature is more than 50 °C.
- Do not clean the battery or the battery charger with water. Refer to *To clean the battery and the battery charger on page 18*.
- Do not use a defective or damaged battery.
- Keep batteries in storage away from metal objects such as nails, coins, jewellery.

## Battery charger safety

---



**WARNING:** Read the warning instructions that follow before you use the product.

---

- Use the QC battery chargers to charge Husqvarna replacement batteries only.
- Risk of electrical shock or short circuit. Do not put objects into the air slots of the charger. Do not try to disassemble the battery charger. Do not connect the charger terminals to metal objects. Use an approved mains socket.
- This product produces an electromagnetic field during operation. This field may under some circumstances interfere with active or passive medical implants. To reduce the risk of serious or

fatal injury, we recommend persons with medical implants to consult their physician and the medical implant manufacturer before operating this product.

- Regularly make sure that the power cord of the battery charger is not damaged and that there are no cracks in it.
- Do not lift the battery charger by the power cord. To disconnect the battery charger from a mains socket, pull out the plug. Do not pull the power cord.
- Keep the power cord and extension cables away from water, oil and sharp edges. Make sure that the cable is not pinched in doors, fences or equivalent. It can cause the charger to become energized.
- Do not clean the battery charger with water.
- The battery charger can be used by children aged from 8 years and above and persons with reduced physical, sensory, or mental capabilities or lack of experience and knowledge if they have been given supervision or instruction concerning use of the battery charger in a safe way and understand the hazards involved. Children shall not play with the battery charger. Cleaning and user maintenance shall not be made by children without supervision.
- Do not charge non-rechargeable batteries in the battery charger.
- Do not use the battery charger near flammable materials or materials that can cause corrosion. Do not cover the battery charger. Pull out the plug to the battery charger if there is smoke or fire.
- Do not use a defective or damaged battery charger.
- Only charge the battery indoors in a room with good airflow and away from sunlight. Do not charge the battery in wet conditions.

## Safety instructions for maintenance

---



**WARNING:** Read the warning instructions that follow before you use the product.

---

- To prevent accidental start during maintenance, turn the safety key to 0 and remove the battery. Wait at minimum 5 seconds before you start the maintenance.
- Only do the maintenance work written in this operator's manual. More extensive work and professional repairs must be done by an approved service agent. Speak to your nearest service agent for more information.
- Do the maintenance work correctly to increase the lifetime of the product and decrease the risk of accidents.
- Replace damaged, worn or broken parts. Always use original spare parts from the manufacturer. Other spare parts can cause damage to the product and increase the risk of accidents.
- To prevent injury, do not remove or do modifications to safety devices.

- Put on heavy duty gloves when you use the cutting equipment. The blade is very sharp and cuts can easily occur.
- Keep the cutting edges sharp and clean for the best and safest performance.
- Let your service agent regularly examine the product and make necessary adjustments and repairs.
- Obey the instructions for how to change accessories. Only use accessories from the manufacturer.
- When not in operation, keep the product, battery and battery charger apart in a dry, indoor and locked area. Make sure that children and persons that are not approved cannot get access to the product, battery or battery charger.

## Assembly

### Introduction



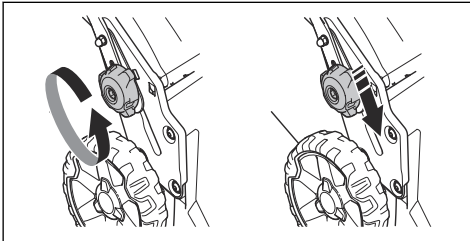
**WARNING:** Before you assemble the product, read the safety chapter.



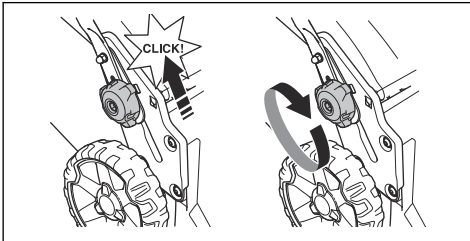
**WARNING:** To prevent accidental start during assembly, turn the safety key to 0, remove the battery and wait at minimum 5 seconds.

### To adjust the handle

1. Loosen the lower knobs.
2. Move the knobs to the lower end of the grooves on the left and the right side of the product.



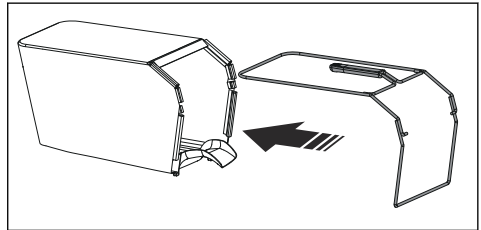
3. Set the handle height in one of the 2 available positions.
4. Move the knobs up in the direction of the handle until they stop and you hear a click.



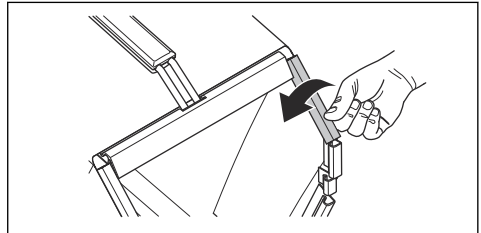
5. Tighten the knobs fully.

### To assemble the grass catcher

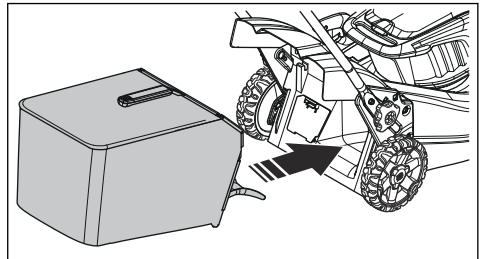
1. Attach the grass catcher frame to the grass bag with the rigid part of the bag on the bottom. Keep the handle of the frame on top of the grass bag.



2. Attach the bottom section of the grass catcher frame in the groove on the bottom of the grass catcher.
3. Attach the grass bag to the grass catcher frame with the clips.

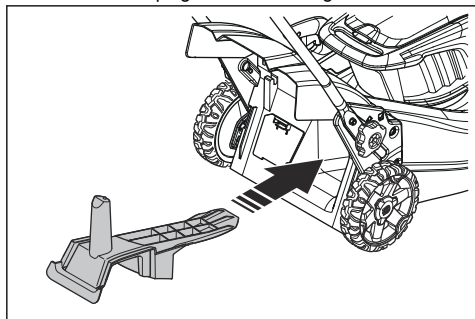


4. Lift the rear cover.
5. Attach the grass catcher to the top edge of the chassis.
6. Put the lower part of the grass catcher into the grass discharge channel.



## To assemble the mulch plug (accessory)

1. Lift up the rear cover and remove the grass catcher.
2. Put the mulch plug into the discharge channel.



3. Replace the blade with the mulch blade that is supplied in the mulch kit. Refer to *To replace the blade on page 18*.

---

## Operation

---

### Introduction



**WARNING:** Before you operate the product, you must read and understand the safety chapter.

### Husqvarna Connect

Husqvarna Connect is a free app for your mobile device. The Husqvarna Connect app gives extended functions for your Husqvarna product:

- Extended product information.
- Information about, and help with, product parts and servicing.

### To start to use Husqvarna Connect

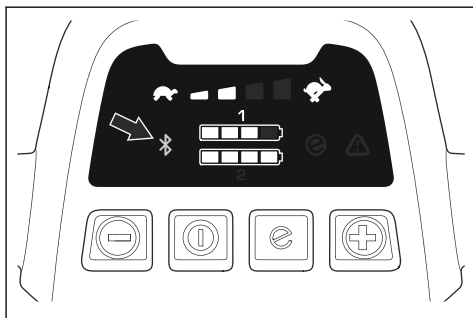
1. Download the Husqvarna Connect app on your mobile device.
2. Register in the Husqvarna Connect app.
3. Follow the instruction steps in the Husqvarna Connect app to connect and register the product.

**Note:** Husqvarna Connect app is not available for download in all markets. Speak to your servicing dealer for more information.

### Bluetooth® information (LC 347iVX, LC 353iVX)

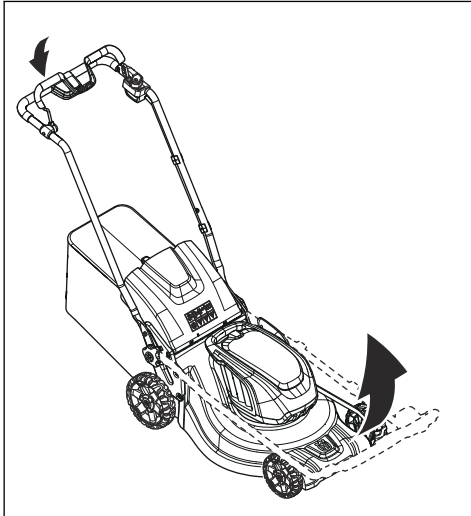
#### Bluetooth® wireless technology

The symbol for *Bluetooth®* wireless technology comes on when your mobile device is connected to the product.

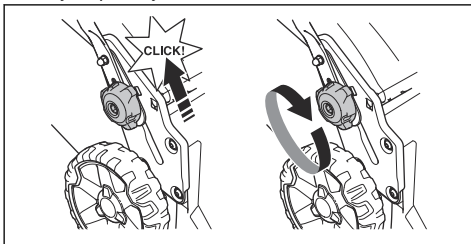


## To set the product in operation position

1. Fold the handle to upright position.



2. Move the knobs up in the direction of the handle until they stop and you hear a click.



3. Tighten the knobs fully.



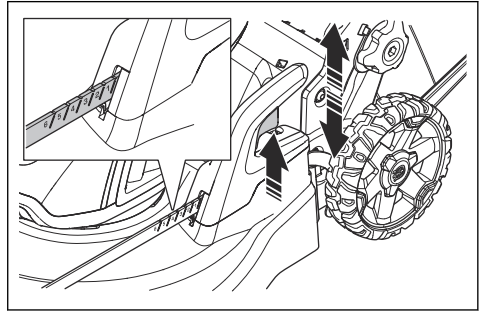
**WARNING:** Do not operate the product unless the handle is fully folded up and set in one of the applicable height positions. Refer to *To adjust the handle on page 10*.

## To set the cutting height

The cutting height can be adjusted in 6 levels.

1. Move the cutting height lever down to decrease the cutting height.

2. Move the cutting height lever up to increase the cutting height.



**CAUTION:** Do not set the cutting height too low. The blades can hit the ground if the surface of the lawn is not level.

## Battery



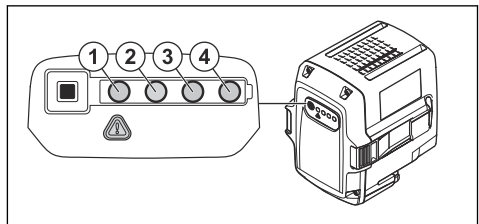
**WARNING:** Before you use the battery, you must read and understand the safety chapter. You must also read and understand the operator's manual for the battery and the battery charger.

Keep the battery and the battery charger in correct ambient temperatures.

	Ambient temperature
Operation of the battery	5 °C - 40 °C
Charging of the battery	5 °C - 40 °C

## Battery status

The display shows the remaining battery capacity and if there are problems with the battery. The battery capacity is shown for 5 seconds after the product is switched off or the battery indicator button is pressed. The warning symbol on the battery is on when an error has occurred. See *Battery on page 19*.





LED lights	Battery status
All LEDs are lit	Fully charged (75-100%)
LED 1, LED 2, LED 3 are lit	The battery is 50%-75% charged
LED 1, LED 2 are lit	The battery is 25%-50% charged
LED 1 is lit	The battery is 0%-25% charged.
LED 1 flashes	The battery is empty. Charge the battery.

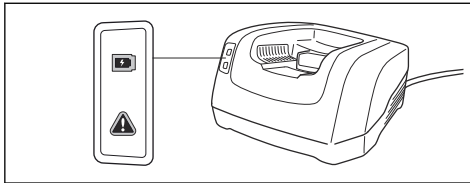
### To charge the battery

Charge the battery before the first use. The battery is only 30% charged when supplied to the customer.

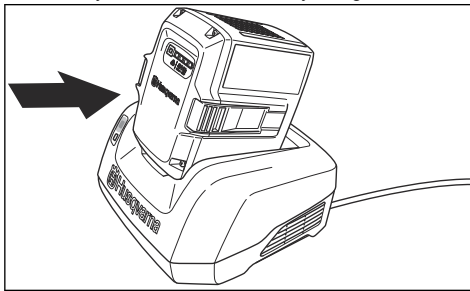
**Note:** The battery charger must be connected to the voltage and frequency specified on the rating plate.

The battery does not charge if the battery temperature is above 50°C. The battery charger decreases the temperature of the battery before it starts to charge.

1. Connect one end of the power cord for the battery charger into the socket of the battery charger.
2. Connect the other end of the power cord for the battery charger in an grounded mains socket. The LED on the battery charger flashes green one time.



3. Put the battery in the battery charger. The green light on the charger comes on when the battery is correctly connected to the battery charger.



4. When all LEDs on the battery have come on the battery is fully charged. Charge the battery for maximum 24 hours.

5. To disconnect the battery charger from the mains socket, pull the plug, not the power cord.
6. Remove the battery from the battery charger.

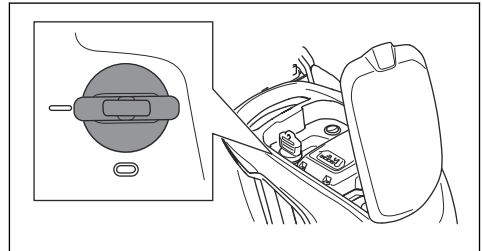
### Battery charging status

A Husqvarna Li-ion battery can be charged or used at all charging levels. The battery is not damaged. A fully charged battery will not decrease its charge when the battery is left in the charger.

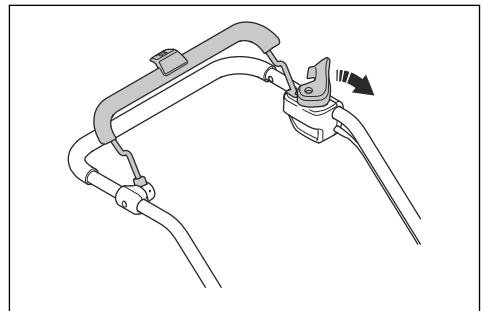
LED display	Charging status
LED 1 flashes	0%-25%
LED 1 is lit, LED 2 flashes	25%-50%
LED 1, LED 2 are lit, LED 3 flashes	50%-75%
LED 1, LED 2, LED 3 are lit, LED 4 flashes	75%-100%
LED 1, LED 2, LED 3, LED 4 are lit	Fully charged

### To start the product (LC 247i)

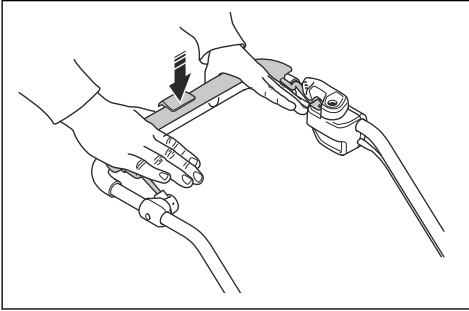
1. Open the battery lid.
2. Put a charged battery in 1 of the battery holders. For longer operation time, put a second charged battery in the other battery holder.
3. Turn the safety key to 1.



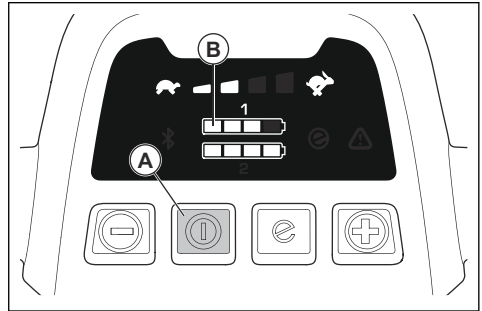
4. Stay behind the product.
5. Loosen the start inhibitor.



6. Push the motor brake handle in the direction of the handlebar.

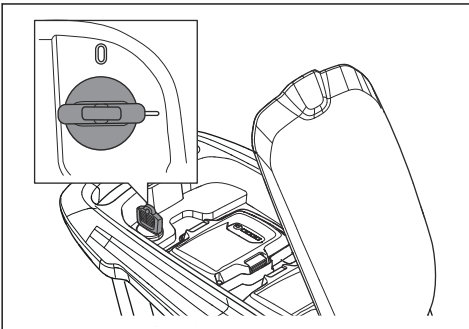


5. Push the ON/OFF button (A) on the control panel. The display comes on. The battery indicator (B) shows the battery charge of the 2 batteries. The number of the battery that operates is shown adjacent to the battery indicator. For models LC 347iVX, LC 353iVX, the display also shows the set speed.



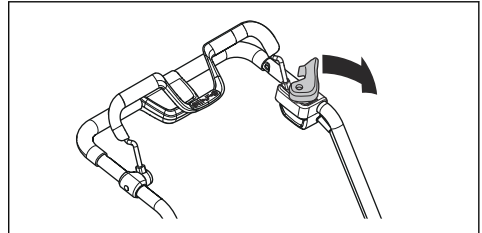
## To start the product (LC 347iVX, LC 353iVX)

1. Open the battery lid.
2. Put a charged battery in 1 of the battery holders. For longer operation time, put a second charged battery in the other battery holder.
3. Turn the safety key to 1.

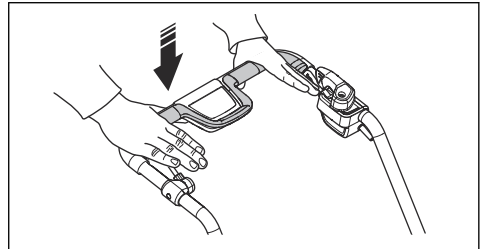


4. Stay behind the product.

6. Loosen the start inhibitor.

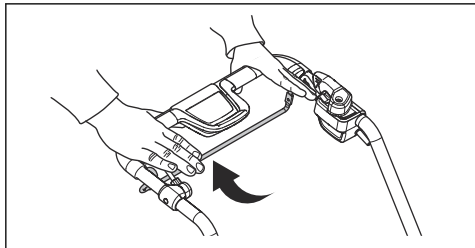


7. Push the motor brake handle in the direction of the handlebar.

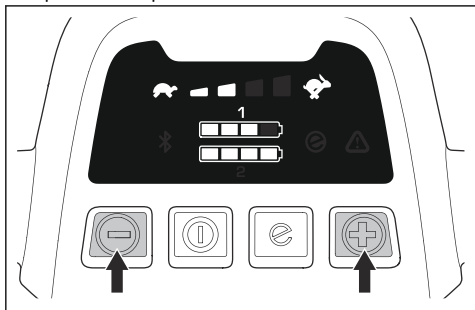


## To use the drive on the wheels LC 347iVX, LC 353iVX

- Pull the drive bail in the direction of the handlebar to start the drive.



- Push + and - on the control panel to set the drive speed in 4 steps.

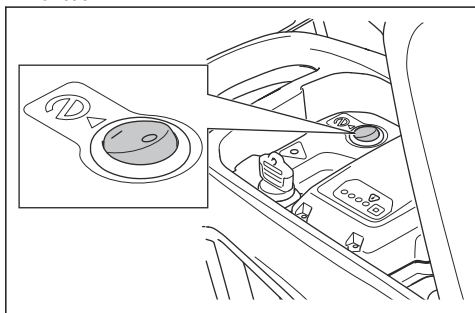


- Release the drive bail to disengage the drive, for example when you go near an obstacle.

## To use the SavE™ function (LC 247i)

The product has a battery saving function (SavE™) that gives longer operation time.

- Push the SavE™ button to position 1 to start the function.



- Push the SavE™ button to position 0 to stop the function.

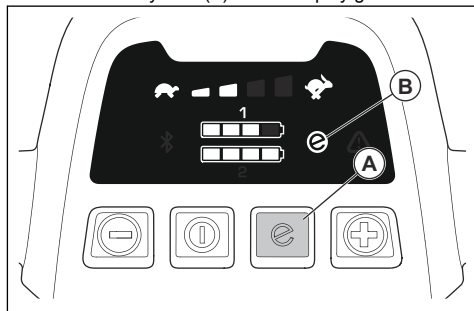
**Note:** The SavE™ function stops automatically if the ground conditions make it necessary to have a higher

output. The SavE™ function starts automatically again when the ground conditions let it.

## To use the SavE™ function (LC 347iVX, LC 353iVX)

The product has a battery saving function (SavE™) that gives longer operation time.

1. Push the SavE™ button (A) to start the function. The SavE™ symbol (B) on the display comes on.
2. Push the SavE™ button again to stop the function. The SavE™ symbol (B) on the display goes out.



**Note:** The SavE™ function stops automatically if the ground conditions make it necessary to have a higher output. The SavE™ function starts automatically again when the ground conditions let it.

## High load function

When the product cuts long or wet grass, the motor automatically increases rpm. The motor goes back to standard mode when high load is not necessary.

## Automatic restart

During operation, the blade and motor can temporarily stop because of obstacles such as grass blockage below the cutting cover. If this occurs and you keep the motor brake handle pushed down, the product tries to restart automatically. If the product does not restart in 5 seconds, it can be necessary to clean below the cutting cover. Refer to *To clean the product on page 18*.



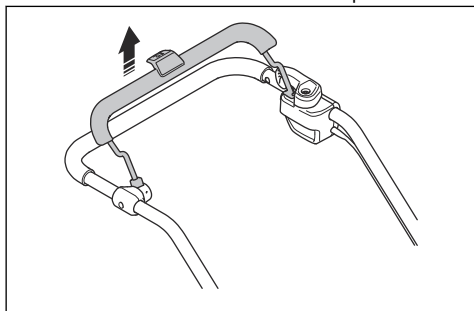
**WARNING:** Before a check of the cutting cover, release the motor brake handle, turn the safety key to 0, remove the battery and wait at minimum 5 seconds. There is a risk of injury if the obstacle is removed and the product accidentally starts.

## To stop the product (LC 247i)

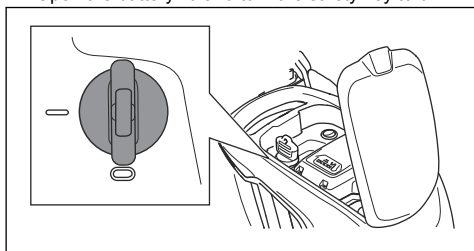


**WARNING:** Turn the safety key to 0 before you let the product out of view.

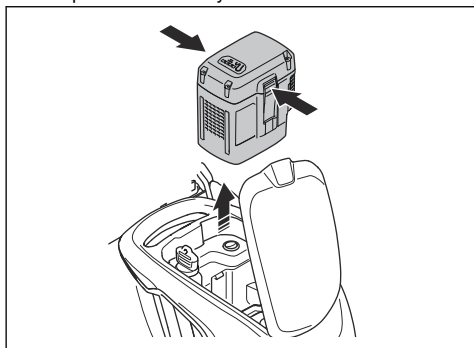
1. Release the motor brake handle to stop the motor.



2. Open the battery lid and turn the safety key to 0.



3. To remove the battery, push the 2 release buttons and pull out the battery.



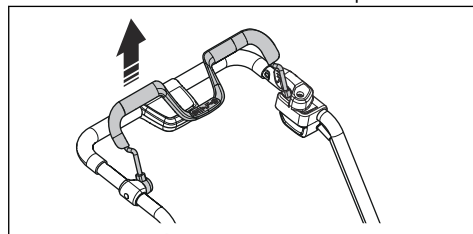
4. Charge the battery if it is weak. For more information, refer to *To charge the battery on page 13*.

## To stop the product (LC 347iVX, LC 353iVX)

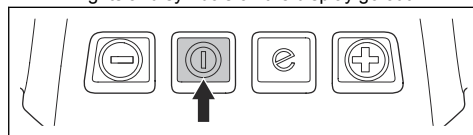


**WARNING:** Turn the safety key to 0 before you let the product out of view.

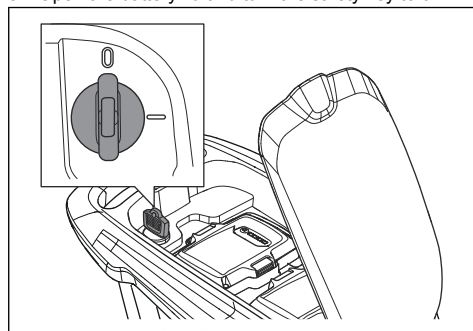
1. Release the motor brake handle to stop the motor.



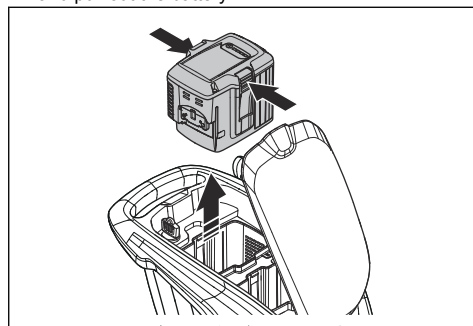
2. Push the ON/OFF button on the control panel. All LED lights and symbols on the display go out.



3. Open the battery lid and turn the safety key to 0.



4. To remove the battery, push the 2 release buttons and pull out the battery.



5. Charge the battery if it is weak. For more information, refer to *To charge the battery on page 13*.

**Note:** The product is automatically de-energized if you do not operate it for some minutes. To start the product again, refer to *To start the product (LC 347iVX, LC 353iVX) on page 14*.

## To get a good result

- Always use a sharp blade. A blunt blade gives an irregular result and the cut surface of the grass becomes yellow. A sharp blade also uses less energy than a blunt blade.
- Do not cut more than 1/3 of the length of the grass. Cut first with the cutting height set high. Examine the result and lower the cutting height to an applicable level. If the grass is very long, drive slowly and cut 2 times if necessary.

- Cut in different directions each time to prevent stripes in the lawn.
- Keep the cutting cover clean. Buildup from grass and dirt on the inner side of the cutting cover can decrease the cutting result. Refer to *To clean the product on page 18*.

## To cut grass without a grass catcher or mulch plug attached

- Lift up the rear cover and remove the grass catcher.
- If a mulch plug and a mulch blade are attached, remove them.
- Close the rear cover before you operate the product.

When you operate the product, the cut grass discharges below the rear cover.

# Maintenance

## Introduction



**WARNING:** Before you do maintenance, you must read and understand the safety chapter.

For all servicing and repair work on the product, special training is necessary. We guarantee the availability of professional repairs and servicing. If your dealer is not a service agent, speak to them for information about the nearest service agent.

For more detailed information, refer to [www.husqvarna.com](http://www.husqvarna.com).

## Maintenance schedule

The maintenance intervals are calculated from daily use of the product. The intervals change if the product is not used daily.

For maintenance identified with \* see instructions in *Safety on page 4*.

	Each use	Monthly	Each season
Do a general inspection	X		
Clean the product	X		
Do a check of the start inhibitor *	X		
Make sure that the safety devices on the product are not defective *	X		
Examine the cutting equipment	X		
Examine the cutting cover *	X		
Do a check of the motor brake handle *	X		
Make sure that the ON/OFF button operates correctly and is not defective	X		
Examine the battery for damage	X		
Do a check of the battery charge	X		
Make sure that the release buttons on the battery operates correctly and that the battery locks into the product	X		

	Each use	Monthly	Each season
Examine the battery charger for damage and make sure that it operates correctly.		X	
Examine the connections between the battery and the product. Also examine the connection between the battery and the battery charger.			X

## To do a general inspection

- Make sure that the nuts and screws on the product are tightened.
- Make sure that the cables on the product are not in a position where they can get damaged.

## To clean the product

- Clean plastic parts with a clean and dry cloth.
- Do not use water to clean the product. Water can enter the battery or the motor and cause short circuit or damage to the product.
- Do not use a high pressure washer to clean the product.
- Do not flush water directly on the motor.
- Use a brush to remove leaves, grass and dirt.

## To clean the battery and the battery charger



**WARNING:** Do not clean the battery or the battery charger with water.

- Make sure that the battery and the battery charger are clean and dry before you put the battery into the battery charger.
- Clean the battery terminals with compressed air or use a soft and dry cloth.
- Clean the surfaces of the battery and the battery charger with a soft and dry cloth.

## To examine the cutting equipment



**WARNING:** To prevent accidental start, turn the safety key to 0, remove the battery and wait a minimum 5 seconds.



**WARNING:** Use protective gloves when you do maintenance on the cutting equipment. The blade is very sharp and cuts can easily occur.

1. Examine the cutting equipment for damage or cracks. Always replace a damaged cutting equipment.
2. Look at the blade to see if it is damaged or blunt.

**Note:** It is necessary to balance the blade after it is sharpened. Let a service center sharpen, replace and balance the blade. If you hit an obstacle that causes the product to stop, replace the damaged blade. Let the service center estimate if the blade can be sharpened or must be replaced.

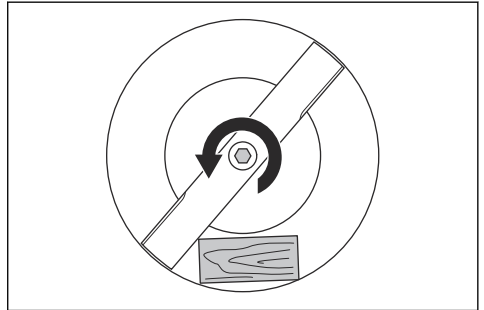
## To replace the blade

Refer to *Technical data on page 22* for the correct type of blade.



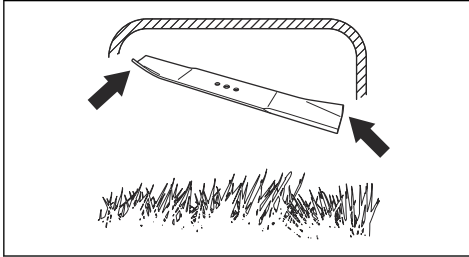
**WARNING:** Lock the blade with a block of wood to prevent injury to fingers when you replace the blade. The blade can be moved when the motor is off and fingers can become trapped between the blade and stationary parts.

1. Lock the blade with a block of wood.

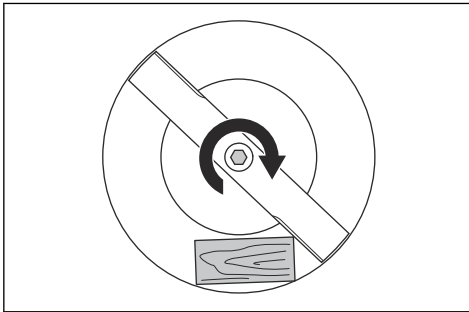


2. Remove the blade bolt.
3. Remove the blade.
4. Examine the blade support and blade bolt to see if there are damages.
5. Examine the motor shaft to make sure that it is not bent.

6. When you attach the new blade, point the angled ends of the blade in the direction of the cutting cover.



7. Make sure that the blade is aligned with the center of the motor shaft.
8. Lock the blade with a block of wood. Attach the spring washer and tighten the bolt and washer with a torque of 23–28 Nm.



9. Pull the blade around by hand and make sure that it turns freely.



**WARNING:** Use heavy duty gloves. The blade is very sharp and cuts can easily occur.

10. Start the product to do a test of the blade. If the blade is not correctly attached, there is vibration in the product or the cutting result is unsatisfactory.

## Troubleshooting

### Battery

LED on the battery	Cause	Solution
The green LED flashes.	The battery voltage is low.	Charge the battery. Refer to <i>To charge the battery on page 13.</i>
The error LED flashes.	The battery is weak.	Charge the battery. Refer to <i>To charge the battery on page 13.</i>
	The temperature in the work environment is too high or too low.	Use the battery in temperatures between 5 °C - 40 °C.
	Overvoltage.	Make sure that the mains voltage is the same as on the rating plate on the product.  Remove the battery from the battery charger. Wait 5 seconds and try again to charge the battery. If the problem continues, speak to an approved service agent.
The error LED is on.	The cell difference too much (1V).	Speak to an approved service agent.

## Battery charger

LED on the battery charger	Cause	Solution
The error LED flashes.	The temperature in the work environment is too high or too low.	Use the battery charger in temperatures between 5 °C - 40 °C.
The error LED is on.		Speak to an approved service agent.

## Lawn mower

The warning indicator (error LED) is found below the battery lid ((LC 247i)) or on the control panel ((LC 347iVX, LC 353iVX)).

Problem	Error LED (number of flashes)	Cause	Solution
Error LED flashes. The product does not operate correctly.	3	The blade is blocked.	Turn the safety key to 0 to prevent accidental start. Remove the battery and wait a minimum of 5 seconds. Remove possible obstacles and make sure that the blade can rotate freely. If the problem continues, speak to an approved service agent.
	5	The motor speed drops too much, and the motor stops.	Increase the cutting height. Refer to <i>To set the cutting height on page 12</i> .
	6 <sup>1</sup>	The wheels or transmission is blocked.	Turn the safety key to 0 to prevent accidental start. Remove the battery and wait a minimum of 5 seconds. Remove the possible obstacles and make sure that the wheels can rotate freely. If the problem continues, speak to an approved service agent.
	10	The motor control is too hot.	Stop the motor and wait until it has become cool.
Error LED flashes. The product stops.	0	Battery connector failure.	Examine the battery connector.
	3	There is overload in the motor.	Increase the cutting height. Refer to <i>To set the cutting height on page 12</i> .
	8	The battery is weak.	Charge the battery. Refer to <i>To charge the battery on page 13</i> .
	9	Battery error or no signal from battery.	Put the battery in the product correctly and examine the battery connector. If the error LED on the battery flashes. Refer to <i>Battery on page 19</i> .
	12	Incorrect start procedure. The motor brake handle has been engaged before the motor starts.	Release the motor brake handle and wait approximately 5 seconds. Push the motor brake handle down again to start the product.

<sup>1</sup> LC 347iVX, LC353iVX



Problem	Error LED (number of flashes)	Cause	Solution
Other errors.	If other errors occur, turn the safety key to 0, remove the battery and speak to an approved service agent.		

## Transportation, storage and disposal

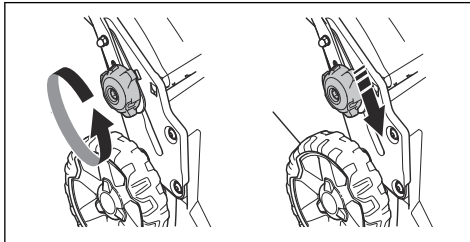
### Introduction



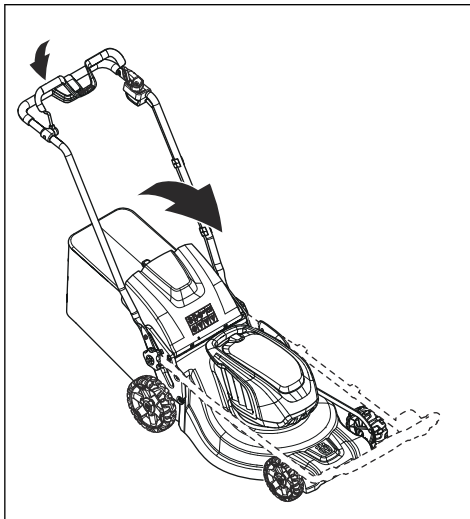
**WARNING:** To prevent unintentional start during transport turn the safety key to "0", remove the battery and wait at least 5 seconds.

### To set the product in transport position

1. Loosen the lower knobs.
2. Move the knobs to the lower end of the grooves on the left and the right side of the product.



3. Fold the handle forward.



4. Remove the grass catcher.

### Transportation

- The Dangerous Goods Legislation requirements apply to the contained Li-ion batteries.
- For commercial transports special requirements on package and labels must be obeyed.
- Make sure that you obey the regulations for dangerous material when you prepare the product for transport. Local regulations can apply.
- Always remove the battery for transport.
- Put tape on the battery connectors and make sure that the battery cannot move around during transport.
- Attach the product during transport.

### Storage

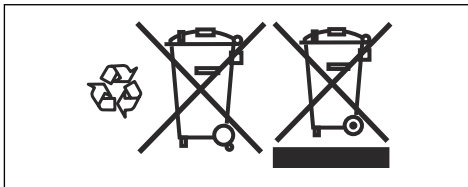
- Before storage, let the product become cool.
- Always remove the battery for storage.
- To prevent accidents, make sure that the battery is not connected to the product during storage.
- Keep the battery charger in a closed and dry space.
- Keep the battery and the battery charger in a dry space where there is no moisture or frost.
- Disconnect the battery from the battery charger during storage.
- Do not keep the battery where static electricity can occur. Do not keep the battery in a metal box.
- Keep the product where the ambient temperature is between -10°C and 40°C.
- Keep the battery where the ambient temperature is between 5 °C and 25 °C and out of sunlight.
- Keep the battery charger where the ambient temperature is between 5 °C and 45 °C and out of sunlight.
- Make sure that the battery is charged to 30% - 50% before you put it in storage for long periods.
- Keep the product, battery and battery charger in a locked area out of reach for children and not approved persons.
- Clean the product and make sure that the grass catcher is empty.
- Do the maintenance procedures given in this operator's manual. Refer to *Maintenance on page 17*.
- Do a complete servicing before you put the product in storage for a long time.

## Disposal

Symbols on the product or the packaging of the product indicate that this product cannot be handled as domestic waste. It must be submitted to an appropriate recycling station for the recovery of electrical and electronic equipment.

By ensuring that this product is taken care of correctly, you can help to counteract the potential negative impact on the environment and people that can otherwise result through the incorrect waste management of this product. For more detailed information about recycling

this product, contact your municipality, your domestic waste service or the shop from where you purchased the product.



## Technical data

### Technical data

	LC 247I	LC 347IVX	LC 353IVX
<b>Cutting motor</b>			
Motor type	BLDC (brushless) 36V	BLDC (brushless) 36V	BLDC (brushless) 36V
Motor speed – SavE, rpm	2600/min	2600/min	2600/min
Motor speed – Nominal, rpm	3000/min	3000/min	3000/min
Motor speed – High load, rpm	3500/min	3500/min	3500/min
Motor output – max. kW	0.96	0.96	1.05
Motor output – Nominal, kW	0.75	0.75	0.9
<b>Drive motor</b>			
Motor output – Nominal, kW	N/A	0.25	0.25
Self walk speed, km/h	N/A	3.0–4.5	3.0–4.5
Speed adjustment levels	N/A	4	4
<b>Weight</b>			
Weight without bag (excl. battery), kg	24.5	26	28
Weight with bag (incl. 2 x BLi30), kg	30.5	32.0	34.5
<b>Battery</b>			
Type of battery	Husqvarna Battery Series		
<b>Battery runtime</b>			
Battery runtime, min, (free run) with SavE activated, with one Husqvarna 7.7 Ah battery (BLi30).	62	62	46
Battery runtime, min, (free run) with standard mode activated, with one Husqvarna 7.7 Ah battery (BLi30).	43	43	28

	LC 247i	LC 347IVX	LC 353IVX
<b>Noise emissions</b> <sup>2</sup>			
Sound power level, measured dB (A)	94	94	97
Sound power level, guaranteed L <sub>WA</sub> dB (A)	95	95	98
<b>Sound levels</b> <sup>3</sup>			
Sound pressure level at the operator's ear, dB (A)	82	82	86
<b>Vibration levels</b> <sup>4</sup>			
Handle, m/s <sup>2</sup>	0.42	0.42	2.64
<b>Cutting equipment</b>			
Cutting height, mm	20-75 mm	20-75 mm	20-75 mm
Cutting width, cm	47	47	53
Blade Standard	Collect 5905934-10	Collect 5905934-10	Collect 5940757-10
Blade accessory	Mulch 5907010-10	Mulch 5907010-10	Mulch 5950072-10
Grass catcher capacity, liters	55	55	60

Radio frequency data for Bluetooth®	LC 247i	LC 347IVX	LC 353IVX
Frequency band, GHz	N/A	2.4-2.4835	2.4-2.4835
Output power, max. dBm	N/A	4	4

Approved batteries	Type	Battery capacity, Ah	Voltage, V	Weight, lb/kg
BLi20	Lithium-ion	4.0	36	2.6/1.2
BLi30	Lithium-ion	7.7	36	4.2/1.9

Approved chargers for the specified batteries, BLi	Input voltage, V	Frequency, Hz	Power, W
QC80	100-240	50-60	80
40-C80	100-240	50-60	68.8

<sup>2</sup> Noise emissions in the environment measured as sound power (L<sub>WA</sub>) in conformity with EC directive 2000/14/EC.

<sup>3</sup> Reported data for noise pressure level has an uncertainty factor (K) of 1.5 dB (A).

<sup>4</sup> Reported data for vibration level has an uncertainty factor (K) of 1.5m/s<sup>2</sup>. The declared vibration total value has been measured in accordance with standard EN 62841-4-3, Annex I and may be used for comparing one machine with another and in a preliminary assessment of exposure.

Approved chargers for the specified batteries, BLi	Input voltage, V	Frequency, Hz	Power, W
QC250	100–240	50–60	250

---

# Declaration of Conformity

---

## EU Declaration of conformity

We, **Husqvarna AB**, SE-561 82 Huskvarna, Sweden, tel: +46-36-146500, declare on our sole responsibility that the product:

<b>Description</b>	Lawn mower
<b>Brand</b>	Husqvarna
<b>Type / Model</b>	LC 247i
<b>Identification</b>	Serial numbers dating from 2021 and onwards

complies fully with the following EU directives and regulations:

<b>Directive/Regulation</b>	<b>Description</b>
2006/42/EC	"relating to machinery"
2014/30/EU	"relating to electromagnetic compatibility"
2000/14/EC	"relating to the noise emissions in the environment"
2011/65/EU	"on the restriction of the use of certain hazardous substances in electrical and electronic equipment"

and that the following standards and/or technical specifications are applied: EN 62841-1:2015+AC:2015, EN 62841-4-3:2021+A11:2021, EN ISO 12100:2010, EN 55014-1:2017+A11:2020, EN 55014-2:2015, EN IEC 63000:2018.

Notified body: 0404, RISE SMP Svensk Maskinprovning AB, Box 7035, SE-750 07 Uppsala has certified conformity with the council's directive 2000/14/EC, conformity assessment procedure: Annex VI.

For information relating to noise emissions, refer to *Technical data on page 22*.

Huskvarna, 2021-12-01



Claes Losdal, Development Manager/Garden Products, Husqvarna AB

Responsible for technical documentation



## EU Declaration of conformity

We, **Husqvarna AB**, SE-561 82 Huskvarna, Sweden, tel: +46-36-146500, declare on our sole responsibility that the product:

<b>Description</b>	Lawn mower
<b>Brand</b>	Husqvarna
<b>Type / Model</b>	LC 347iVX, LC 353iVX
<b>Identification</b>	Serial numbers dating from 2021-12-01 and onwards

complies fully with the following EU directives and regulations:

<b>Directive/Regulation</b>	<b>Description</b>
2006/42/EC	"relating to machinery"
2014/53/EU	"relating to radio equipment"
2000/14/EC	"relating to the noise emissions in the environment"
2011/65/EU	"on the restriction of the use of certain hazardous substances in electrical and electronic equipment "

and that the following standards and/or technical specifications are applied: EN 62841-1:2015+AC:2015, EN 62841-4-3:2021+A11:2021, EN ISO 12100:2010, EN 55014-1:2017+A11:2020, EN 55014-2:2015, EN IEC 63000:2018, EN ETSI 300 328 v.2.2.2, EN 50663: 2017, ETSI EN 301 489-1 V2.2.3, ETSI EN 301 489-17 V3.2.4.

Notified body: 0404, RISE SMP Svensk Maskinprovning AB, Box 7035, SE-750 07 Uppsala has certified conformity with the council's directive 2000/14/EC, conformity assessment procedure: Annex VI.

For information relating to noise emissions, refer to *Technical data on page 22*.

Huskvarna, 2021-12-01

Claes Losdal, Development Manager/Garden Products, Husqvarna AB

Responsible for technical documentation



A handwritten signature in black ink, appearing to be 'Claes Losdal', is written over a horizontal line.

---

## Registered trademarks

---

The *Bluetooth*<sup>®</sup> word mark and logos are registered trademarks owned by *Bluetooth SIG, inc.* and any use of such marks by Husqvarna is under license.

---

## Съдържание

---

Въведение.....	27	Отстраняване на проблеми.....	45
Безопасност.....	29	Транспортиране, съхранение и изхвърляне.....	48
Монтаж.....	36	Технически данни.....	49
Операция.....	37	Декларация за съответствие.....	52
Поддръжка.....	43	Регистрирани търговски марки.....	53

---

## Въведение

---

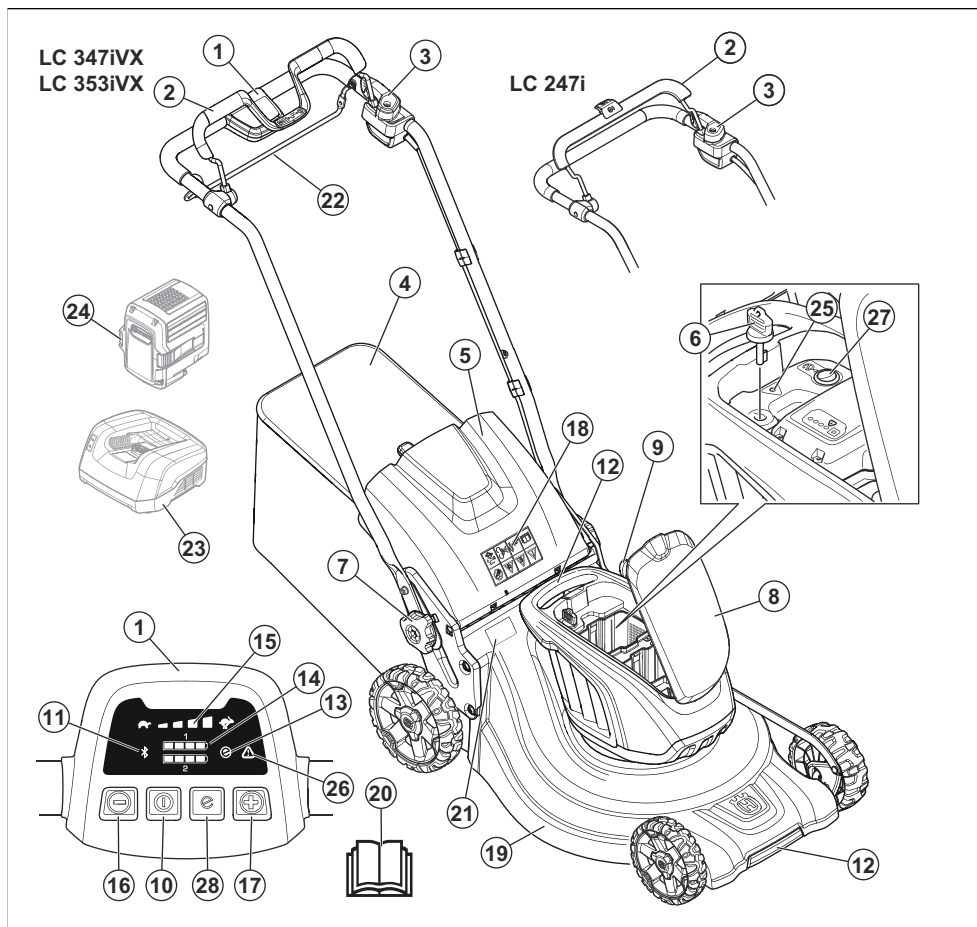
### Описание на продукта

Продуктът е пешеходна ротационна косачка. Тревата се събира в кош за трева. Свалете коша за трева, за да се получи задно разтоварване на тревата. Поставете комплект за мулчиране (допълнителна принадлежност), за да нарежете тревата в тора.

### Предназначение

Използвайте продукта за косене на трева. Не използвайте продукта за други задачи.

## Общ преглед на продукта



1. Табло за управление (LC 347iVX, LC 353iVX)
2. Ръкохватка за спиратката на двигателя
3. Блокировка на пускането
4. Кош за трева
5. Заден капак
6. Ключ за безопасност
7. Въртяща се ръкохватка
8. Капак на акумулатора
9. Управление на височината на рязане
10. Бутон за ВКЛ./ИЗКЛ.
11. Индикатор за *Bluetooth*<sup>®</sup> безжична технология
12. Дръжки за повдигане
13. Индикатор за SaveE
14. Индикатор за акумулатора

15. Индикатор за изравняване на скоростта (LC 347iVX, LC 353iVX)
16. Бутон за намаляване на скоростта (LC 347iVX, LC 353iVX)
17. Бутон за увеличаване на скоростта (LC 347iVX, LC 353iVX)
18. Символи
19. Капак срещу порязване
20. Инструкция за експлоатация
21. Типова табелка
22. Дръжка за задвижване (LC 347iVX, LC 353iVX)
23. Зарядно устройство за акумулатор (Принадлежност)
24. Акумулатор (Принадлежност)
25. Светодиод за грешка (LC 247i)



- 26. Светодиод за грешка (LC 347iVX, LC 353iVX)
- 27. Бутон SavE (LC 247i)
- 28. Бутон SavE (LC 347iVX, LC 353iVX)

посочено в *Технически данни на страница 49* и върху етикета.

## Символи върху машината



ПРЕДУПРЕЖДЕНИЕ



Прочетете инструкциите.



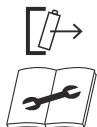
ПРЕДУПРЕЖДЕНИЕ – Пазете се от изхвърлени предмети.



Не допускате наблизо странични наблюдатели.



ПРЕДУПРЕЖДЕНИЕ – Дръжте ръцете и краката си настрана от ножовете.



ПРЕДУПРЕЖДЕНИЕ – Разкачете акумулаторната батерия преди техническо обслужване.



Продуктът или опаковката на продукта не е битов отпадък. Рециклирайте го в пункт за рециклиране за електрическо и електронно оборудване.



Този продукт е в съответствие с приложимите директиви на ЕО.



Шумовите емисии към екологичния етикет съгласно директивите и регламентите на ЕС и Обединеното кралство. Гарантираното ниво на звукова мощност на продукта е

## IPX1

Този продукт е защитен от капки.



Освободете ръкохватката на спирачката на двигателя, за да спрете.



Код с възможност за сканиране

**Забележка:** Останалите символи/стикери на машината се отнасят до изисквания по отношение на сертификати за определени пазари.

## Етикет върху продукта



ОПАСНОСТ – Дръжте ръцете и краката си настрана.

## Отговорност за продукта

Както е посочено в законите за отговорност за вреди, причинени от стоки, ние не носим отговорност за щети, причинени от нашия продукт, ако:

- продуктът е неправилно ремонтиран.
- продуктът е ремонтиран с части, които не са от производителя или не са одобрени от производителя.
- продуктът има принадлежност, която не е от производителя или не е одобрена от производителя.
- продуктът не е ремонтиран в одобрен сервизен център или от одобрен орган.

## Безопасност

### Дефиниции за безопасност

Предупреждения, знаци за внимание и бележки се използват за указване на особено важни части на инструкцията.



**ПРЕДУПРЕЖДЕНИЕ:** Използвайте се, ако има опасност от нараняване или смърт за оператора или за околните,

ако не се спазват инструкциите в ръководството.



**ВНИМАНИЕ:** Използва се, ако има опасност от повреждане на машината, други материали или съседната зона, ако не се спазват инструкциите в ръководството.

**Забележка:** Използва се за предоставяне на повече информация, която е необходима в дадена ситуация.

## Общи предупреждения за безопасност за продукта



**ПРЕДУПРЕЖДЕНИЕ:** Прочетете всички предупреждения за безопасност, инструкции, илюстрации и спецификации, предоставени с този продукт. Неспазването на всички инструкции, изброени по-долу, може да доведе до електрически удар, пожар и/или сериозно нараняване.

Запазете всички предупреждения и инструкции за бъдещи справки. Терминът "продукт" в предупрежденията се отнася за продукт с електрическо задвижване (с кабел) или такъв с акумулаторна батерия (безжичен).

### Безопасност на работната област

- **Поддържайте работната област работния участък чиста и добре осветена.** Мръсните и тъмните области са по-предразполагащи към инциденти.
- **Не работете с продукта в експлозивна среда, като например в присъствието на запалителни течности, газове или прах.** Продуктът създава искри, които може да запалят праха или дима.
- **Дръжте децата и околните настрана, докато работите с продукта.** Разсейването може да доведе до загуба на контрол.

### Електрическа безопасност

- **Щепселите на продукта трябва да съответстват на контакта. Никога не променяйте щепселите по какъвто и да било начин. Не използвайте никакви адаптерни щепсели със заземени продукти.** Немодифицираните щепсели и съответстващи им контакти ще намалят рисковете от токов удар.
- **Избягвайте контакт на тялото със заземени или замасени повърхности, като тръби, радиатори и хладилници.** Има повишен риск от електрически удар, ако Вашето тяло е заземено или замасено.
- **Не излагайте продуктите на дъжд или мокра околна среда.** Навлизането на вода в продукта повишава риска от токов удар.

- **Не насилвайте кабела. Никога не използвайте кабела за носене, дърпане или изключване на продукта от мрежата. Пазете шнура далече от топлинни източници, масло, остри ръбове или движещи се части.** Повредените или заплетени кабели увеличават риска от токов удар.
- **Когато работите с продукта навън, използвайте удължителен кабел, който е подходящ за употреба на открито.** Кабелът, който е подходящ за употреба на открито, намалява риска от токов удар.
- **Ако работата с електрически инструмент на влажно място е неизбежна, използвайте захранване с устройство за дефектнотокова защита (RCD).** Използването на RCD намалява риска от електрически удар.

### Лична безопасност

- **Бъдете нащрек, внимавайте какво правите и бъдете разсъдливи, когато работите с продукта. Не използвайте продукта, когато сте изморени или когато сте под влиянието на наркотици, алкохол или лекарства.** Един миг невнимание по време на работа с продуктите може да доведе до тежко телесно нараняване.
- **Използвайте лични предпазни средства. Винаги носете защитни средства за очите.** Предпазните средства като респираторна маска, непързалиящи се предпазни обувки, твърда каска или антифони, използвани за съответните условия, ще намалят телесните повреди.
- **Не допускайте нежелано стартиране. Уверете се, че превключвателят е в изключено положение, преди да свържете захранващия източник и/или акумулаторната батерия, когато вземате или носите продукта.** Носенето на продукти с пръст на превключвателя или включването в мрежата на продукти с прекъсвач във включено положение е предпоставка за злополуки.
- **Отстранете всички ключове за регулиране или гаечни ключове, преди да включите продукта.** Гаечен ключ или ключ, който е оставен присъединен към въртящата се част на продукта, може да доведе до нараняване.
- **Не се протягайте прекалено надалеч, докато работите. Поддържайте съответната стъпка и баланс през цялото време.** Това осигурява по-добър контрол на продукта в неочаквани ситуации.
- **Обличайте се подходящо. Никога не носете широки дрехи или украшения. Дръжте косата и дрежите си далеч от движещите се части на инструмента.** Свободновисящи дрехи, бижута или дълга коса могат да бъдат захванати от движещите се части.
- **Ако са предоставени устройства за съхранение на изсмукване на прах и съдове за събиране, уверете се, че те са свързани и се използват правилно.** Използването на съдове за събиране

на прах може да намали опасностите, свързани с праха.

- **Не позволявайте на натрупания опит от честата употреба на продукти да Ви вдъхне прекомерна увереност и да игнорирате принципите за безопасност.** Едно нехайно действие може да причини сериозно нараняване за част от секундата.

## Използване и грижа за продукта

- **Не насилвайте продукта.** Използвайте подходящия продукт за Вашето приложение. Подходящият продукт ще свърши работата по-добре и по-безопасно със скоростта, за която е бил създаден.
- **Не използвайте продукта, ако превключвателят не го включва и изключва.** Всеки продукт, който не може да се управлява с превключвателя, е опасен и трябва да бъде ремонтиран.
- **Разкачете щепсела от електрическия източник и/или премахнете акумулаторната батерия от продукта, ако може да се отстрани, преди да правите каквито и да било настройки, да сменяте принадлежности или да съхранявате продукти.** Тези предпазни мерки намаляват риска от нежелано стартиране на продукта.
- **Съхранявайте неизползваните продукти на недостъпно за деца място и не разрешавайте на хора, които не са запознати с продукта или с тези инструкции, да работят с него.** Продуктите са опасни в ръцете на необучени потребители.
- **Поддържайте продуктите и принадлежностите.** Проверявайте за разцентроване или задиране на движещите се части, счупвания на части или други състояния, които могат да се отразят на работата на продукта. Ако продуктът бъде повреден, дайте го за ремонт, преди да го използвате. Много инциденти възникват с лошо поддържани продукти.
- **Поддържайте режещите инструменти остри и чисти.** Правилно поддържаните режещи инструменти с остри режещи краища са по-трудни за огъване и се контролират по-лесно.
- **Използвайте продукта, принадлежностите, приставките и др. в съответствие с тези инструкции, като имате предвид условията и естеството на работата, която извършвате.** Използването на продукта за операции, различни от тези, за които е предназначен, може да доведе до опасни ситуации.
- **Поддържайте ръкохватките и повърхностите за хващане сухи, чисти и без масло и грес.** Хлъзгавите ръкохватки и повърхности за хващане не позволяват безопасно боравене и контрол над продукта при непредвидени ситуации.

## Обслужване

- **Техническото обслужване на Вашия продукт трябва да се извършва от квалифицирано лице,**

**като се използват само идентични резервни части.** Това ще гарантира поддържането на безопасността на продукта.

- **Никога не обслужвайте повредени акумулаторни батерии.** Обслужването на акумулаторни батерии трябва да се извършва само от производителя или оторизирани сервиси.

## Употреба и грижа за инструмента на батерия

- **Презареждайте само със зарядно устройство, определено от производителя.** Зарядно устройство, което е подходящо за един вид батерия, може да създаде опасност от злополука, когато се използва с друга батерия.
- **Използвайте продуктите само със специално определените акумулаторни батерии.** Използването на други батерии може да създаде опасност от нараняване и пожар.
- **Когато батерията не е в употреба, дръжте я далече от други метални предмети, като кламери, монети, ключове, пирони, винтове или други, които могат да свържат едната клема с другата.** Окисляване на изводите на батерията може да предизвика изгаряния или пожар.
- **При злоупотреба от акумулатора може да бъде изхвърлена течност – избягвайте допир.** В случай на случаен контакт изплакнете с вода. Ако течността попадне в очите, потърсете допълнителна медицинска помощ. Течност, изхвърлена от акумулатора, може да причини раздразнения или изгаряния.
- **Не използвайте акумулаторната батерия или продукт, който е променен или повреден.** Повредените или модифицирани батерии могат да имат непредсказуемо поведение, което да доведе до пожар, експлозия или опасност от нараняване.
- **Не излагайте акумулаторната батерия или уреда на огън или прекомерна температура.** Излагането на огън или температура над 130°C/265°F може да предизвика експлозия.
- **Спазвайте всички инструкции за зареждане и не зареждайте акумулаторната батерия или уреда извън температурния диапазон, посочен в инструкциите.** Неправилното зареждане или зареждането при температури извън определените диапазон може да повредят акумулаторната батерия и да увеличат риска от пожар.

## Предупреждения за безопасност на косачката за трева

- **Не използвайте косачката за трева при лоши метеорологични условия, особено когато има опасност от мълнии.** Това намалява опасността да бъдете ударени от мълния.
- **Проверете внимателно зоната, където ще се използва косачката за трева, за наличие на дивя**

животни. По време на работа косачката за трева може да нарани диви животни.

- **Проверете внимателно зоната, в която ще се използва косачката за трева, и отстранете всички камъни, пръчки, проводници, кости и други чужди предмети.** Изхвърлените предмети могат да причинят телесно нараняване.
- **Преди употреба винаги проверявайте визуално косачката за трева, за да се уверите, че ножът и модулът на ножа не са износени или повредени.** Износените или повредените части увеличават риска от нараняване.
- **Преди използване проверете захранващия и удължителния кабел за признаци на износване или повреда. Не използвайте косачката за трева, ако кабелът е повреден или износен. Ако кабелът се повреди или се износи по време на употреба, изключете косачката за трева и не пипайте кабела, преди да го откачите от захранването.** Повреден захранващ или удължителен кабел може да причини токов удар, пожар и/или тежко нараняване.
- **Проверявайте често коша за трева за евентуални износвания или повреди.** Износеният или повреден кош за трева може да увеличи риска от телесно нараняване.
- **Дръжте предпазителите на място. Предпазителите трябва да са в изправност за работа и да са правилно монтирани.** Разхлабен, повреден или неправилно функциониращ предпазител може да доведе до телесно нараняване.
- **Поддържайте всички входни отвори за охлаждащ въздух чисти от отпадъци.** Блокираните входни отвори за въздух и отломките може да доведат до прегряване или опасност от пожар.
- **По време на работа с косачката за трева винаги носете неплъзгащи се и защитни обувки. Не работете с косачката за трева, когато сте боси или носите отворени сандали.** Това намалява вероятността от нараняване на краката при контакт с движещия се нож.
- **Когато работите с косачката за трева, винаги носете дълги панталони.** Съществува вероятност откритите части на кожата да бъдат наранени от изхвърлени предмети.
- **Не използвайте косачката за трева в мокра трева. Ходете, никога не тичайте.** Това намалява риска от подхлъзване и падане, което може да доведе до телесно нараняване.
- **Не работете с косачката за трева по прекалено стръмни склонове.** Това намалява риска от загуба на контрол, подхлъзване и падане, което може да доведе до телесно нараняване.
- **Когато работите върху склонове, винаги се уверявайте, че сте стъпили добре, винаги работете напредно на склоновете, никога нагоре или надолу, и бъдете изключително внимателни при смяна на посоката.** Това намалява риска от

загуба на контрол, подхлъзване и падане, което може да доведе до телесно нараняване.

- **Внимавайте изключително много при заден ход или при дърпане на косачката за трева към себе си. Внимавайте за забикалящата среда.** Това намалява риска от преобръщане по време на работа.
- **Пазете захранващия кабел от ножовете.** Повреден захранващ кабел може да предизвика токов удар, пожар и/или тежко нараняване.
- **Ако кабелът е заплетен или повреден, изключете и извадете щепсела от мрежата.** Заплетените или повредените кабели увеличават риска от токов удар.
- **Не докосвайте ножовете и други опасни движещи се части, докато те все още се движат.** Това намалява опасността от нараняване от движещи се части.
- **Когато отстранявате заседнал материал или почиствате косачката за трева, се уверете, че всички прекъсвачи са изключени и захранващият кабел е разкачен.** Неочакваното задействане на косачката за трева може да доведе до тежко телесно нараняване.

## Дефектнотокова защита

- Използвайте дефектнотокова защита с максимален ток на задействане от 30 mA.

## Общи инструкции за безопасност



**ПРЕДУПРЕЖДЕНИЕ:** Прочетете следващите предупредителни указания, преди да използвате продукта.

- Този продукт е опасен, ако се използва неправилно или ако не сте внимателни. Неспазването на инструкциите за безопасност може да доведе до нараняване или смърт.
- Този продукт създава електромагнитно поле по време на работа. При някои условия това поле може да предизвика смущения в активни или пасивни медицински импланти. За да намалите риска от тежко или смъртоносно нараняване, ние препоръчваме лицата с медицински импланти да говорят с лекаря си и производителя на медицинския имплант, преди да започнат да работят с тази машина.
- Винаги бъдете внимателни и подхождайте разумно. Ако не сте сигурни как да работите с продукта при специална ситуация, спрете и се обърнете към Вашия дилър на Husqvarna, преди да продължите.
- Имайте предвид, че операторът носи отговорност за нещастни случаи, включващи други хора или тяхното имущество.
- Поддържайте продукта чист. Уверете се, че разчитате ясно знаците и стикерите.

- Никога не позволявайте на деца или на хора, непознати с тези инструкции, да използват уреда. Местните разпоредби може да поставят възрастови ограничения за оператора.
- Винаги наблюдавайте лица с намален физически или умствен капацитет, които използват продукта. През цялото време трябва да присъства отговорен възрастен.
- Не използвайте продукта, ако сте уморени, болни или под въздействието на алкохол, наркотици или лекарства. Това състояние оказва отрицателно въздействие върху Вашето зрение, бдителност, координация и преценка.
- Не използвайте продукта, ако е неизправен.
- Не променяйте този продукт или не го използвайте, ако има вероятност той да е бил променен от друг.

## Безопасност при работа



**ПРЕДУПРЕЖДЕНИЕ:** Прочетете следващите предупредителни указания, преди да използвате продукта.

- Използвайте този продукт само за косене на морави. Не се допуска използването му за други цели.
- Използвайте лични предпазни средства. Вижте *Лични предпазни средства на страница 33*.
- Уверете се, че знаете как бързо да спрете двигателя при аварийна ситуация.
- Не използвайте продукта при дъжд или влага. Опасността от токов удар се повишава при навлизане на вода в продукта.
- Не работете с продукта, докато ножът и всички капаци не се монтират правилно. Неправилно монтираният нож може да се разхлаби и да причини телесна повреда.
- Уверете се, че ножът няма да се удря в обекти, като например камъни и корени. Това може да доведе до повреда на ножа и до огъване на двусекционния вал на двигателя. Огънатата ос предизвиква силни вибрации и има много голяма опасност ножът да се разхлаби.
- Ако ножът се удари в някакъв обект или се получат вибрации, спрете веднага продукта. Спрете двигателят, завъртете ключа за безопасност на 0 и отстранете акумулатора. Изчакайте спирането на движещите се части. Проверете продукта за повреди. Затегнете разхлабените части. Отстранете повредите и сменете повредените части. Възложете ремонта на упълномощен сервиз.
- Никога не прикрепяйте ръкохватката за спирачката на двигателя за постоянно върху дръжката, когато двигателят е стартиран.
- Поставете продукта върху стабилна, равна повърхност и го стартирайте. Уверете се, че

ножът не се допира в земята или в други предмети.

- Винаги стойте зад продукта, когато го използвате.
- Всички колепа трябва да бъдат на земята и да държите дръжката с 2 ръце, когато работите с продукта. Дръжте ръцете и краката си далеч от въртящите се ножове.
- Не наклоняйте продукта при стартиране на двигателя или по време на работа на продукта.
- Бъдете внимателни, когато дърпате продукта назад.
- Никога не повдигайте продукта при стартиран двигател. Ако се наложи да вдигате продукта, първо спрете двигателя, завъртете ключа за безопасност на 0 и отстранете акумулатора.
- Не се движете назад при работа с продукта.
- Спрете двигателя, когато е необходимо да наклоните продукта за транспортиране или когато преминавате през области без трева, като пътеки от чакъл, камък и асфалт.
- Не тичайте с продукта, докато двигателят работи. Винаги ходете, когато работите с продукта.
- Спрете двигателя, преди да промените височината на рязане. Никога не извършвайте регулировки при работещ двигател.
- Никога не оставяйте продукта без надзор, когато двигателят работи. Спрете двигателя и се уверете, че режещото оборудване не се върти.
- Вибрациите на продукта по време на работа могат да се различават от декларираната стойност на вибрациите в *Технически данни на страница 49*. Разликата е в резултат на различните начини на използване на продукта. Ако работите с продукта често или за дълги периоди от време, правете редовно почивки, за да предотвратите нараняване от вибрации.

## Инструкции за безопасност за работа

### Лични предпазни средства



**ПРЕДУПРЕЖДЕНИЕ:** Прочетете следващите предупредителни указания, преди да използвате продукта.

- Личните предпазни средства не изключват изцяло риска от нараняване, но намаляват степента на нараняването при злополука. Нека Вашият доставчик Ви помогне да изберете подходящото оборудване.
- Носете ботуши или обувки, устойчиви на хлъзгане. Не носете отворени обувки и не ходете боси.
- Използвайте дълги панталони от здрав плат.
- Когато е необходимо, носете защитни ръкавици, например, когато закрепвате, проверявате или почиствате режещото оборудване.

- Препоръчваме използване на средства за защита на слуха.

## Приспособления за безопасност на машината



**ПРЕДУПРЕЖДЕНИЕ:** Прочетете следващите предупредителни указания, преди да използвате продукта.

- Не използвайте машина с неизправни приспособления за безопасност.
- Не отстранявайте и не правете модификации по устройствата за безопасност.
- Проверявайте редовно приспособленията за безопасност. Ако приспособленията за безопасност са дефектни, говорете с Вашия сервиз Husqvarna.

### За проверка на капака срещу порязване

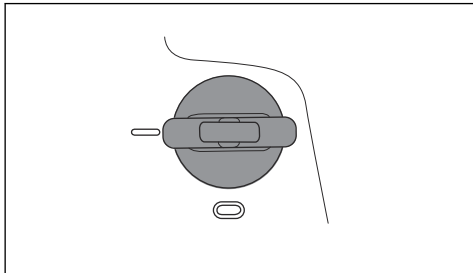
Капакът срещу порязване намалява вибрациите в продукта и опасността от нараняване, причинени от острието.

- Проверете капака срещу порязване, за да се уверите, че няма повреди, като например пукнатини.

### За проверка на ключа за безопасност

Ключът за безопасност е под капака на акумулатора. Ключът за безопасност свързва акумулатора, който захранва двигателя с енергия.

- Стартирайте и спрете двигателя, за да извършите проверка на ключа за безопасност.
- Ако ключът за безопасност работи правилно, двигателят стартира само когато ключът е в положение 1.

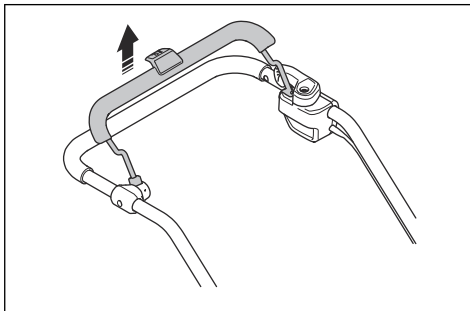


### За проверка на ръкохватката на спирачката на двигателя

Ръкохватка за спирачката на двигателя спира двигателя. Когато ръкохватката за спирачката на двигателя бъде пусната, двигателят спира.

- Стартирайте продукта. Вижте *Операция на страница 37*.

- Освободете ръкохватката на спирачката на двигателя.

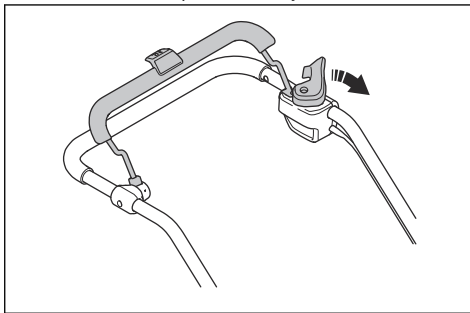


- Уверете се, че продуктът спира. Ако двигателят не спре след 3 секунди, позволете на одобрен сервиз на Husqvarna да регулира спирачката на двигателя.

### За проверка на блокировката на стартирането

Направете проверка на блокировката на стартирането, за да се уверите, че тя не допуска работата на двигателя.

1. Натиснете ръкохватката за спирачката на двигателя по посока на управлението. Блокировката на пускането спира движението.
2. Натиснете блокировката на пускането навън.



3. Освободете блокировката на пускането и се уверете, че тя се е върнала в първоначалното си положение.

### Безопасност на акумулатора



**ПРЕДУПРЕЖДЕНИЕ:** Прочетете следващите предупредителни указания, преди да използвате продукта.

- Използвайте акумулаторни батерии Husqvarna като източник на захранване само на продукти Husqvarna. За да предотвратите нараняване, не използвайте акумулаторната батерия като източник на захранване за други устройства.

- Не използвайте акумулатори, които не се презареждат.
- Опасност от електрически удар. Не свързвайте клемите на акумулатора с ключове, монети, винтове или други метални предмети. Това може да доведе до късо съединение на акумулаторната батерия.
- Не поставяйте предмети във въздушните отвори на акумулаторната батерия.
- Съхранявайте акумулаторната батерия далеч от слънчева светлина, топлина или открит огън. Акумулаторът може да се взриви и да причини изгаряния и/или химически изгаряния.
- Съхранявайте акумулаторната батерия далеч от дъжд или влага.
- Съхранявайте акумулаторната батерия далеч от микровълни и високо налягане.
- Не се опитвайте да разглобите или счупите акумулаторната батерия.
- Ако има в акумулатора има теч, не оставяйте течността да влиза в контакт с тялото и очите. Ако докоснете течността, измийте мястото с обилно количество вода и потърсете медицинска помощ.
- Използвайте акумулаторната батерия в продукта само когато околната температура е в границите на 5°C – 40°C.
- Използвайте зарядното устройство само когато околната температура е в границите на 5°C – 40°C.
- Акумулаторната батерия няма да се зарежда, ако нейната температура е по-висока от 50°C.
- Не почиствайте акумулаторната батерия или зарядното устройство с вода. Вижте *За почистване на акумулатора и зарядното устройство на страница 44*.
- Не използвайте дефектен или повреден акумулатор.
- Съхранявайте акумулаторите далеч от метални предмети като пирони, монети, бижута.
- Този продукт създава електромагнитно поле по време на работа. При някои условия това поле може да предизвика смущения в активни или пасивни медицински импланти. За да намалите риска от сериозно или смъртоносно нараняване, ние препоръчваме лицата с медицински импланти да говорят с лекаря си и производителя на медицинския имплант, преди да започнат да работят с този продукт.
- Редовно проверявайте дали кабелът на зарядното устройство на акумулатора не е повреден и напукан.
- Не вдигайте зарядното устройство, като го държите за шнура. За да изключите зарядното устройство от стенния контакт, дръпнете щепсела. Не дърпайте захранващия шнур.
- Дръжте захранващия кабел и удължаващите шнури далеч от вода, масло или остри ръбове. Уверете се, че кабелът не е защипан от врати, огради и подобни. Това може да доведе до напрежение в зарядното устройство.
- Не почиствайте зарядното устройство с вода.
- Това зарядно устройство може да се използва от деца на възраст от 8 години нагоре и лица с физически, сетивни или умствени способности или без знания и опит, ако са под надзор или са получили инструкции за безопасното използване на зарядното устройство и разбират свързаните с това рискове. Децата не трябва да си играят със зарядното устройство. Почистването и потребителската поддръжка не трябва да се извършват от деца без надзор.
- Не зареждайте акумулатори без възможност за зареждане в зарядното устройство.
- Не използвайте зарядното устройство близо до запалими материали или материали, които причиняват корозия. Не покривайте зарядното устройство. Ако има дим или огън, извадете щепсела на зарядното устройство.
- Не използвайте дефектно или повредено зарядно устройство.
- Зареждайте акумулатора само на закрито, в помещение с добра вентилация и далеч от слънчева светлина. Не зареждайте акумулаторната батерия във влажна условия.

## Инструкции за безопасност за зарядното устройство на акумулаторната батерия



**ПРЕДУПРЕЖДЕНИЕ:** Прочетете следващите предупредителни указания, преди да използвате продукта.

- Използвайте зарядните устройства QC за зареждане само на резервни акумулатори Husqvarna.
- Опасност от токов удар или късо съединение. Не поставяйте предмети във въздушните отвори на зарядното устройство. Не опитвайте да демонтирате зарядното устройство. Не свързвайте клемите на зарядното устройство към метални предмети. Използвайте одобрен електрически контакт.

## Инструкции за безопасност при техническо обслужване



**ПРЕДУПРЕЖДЕНИЕ:** Прочетете следващите предупредителни указания, преди да използвате продукта.

- За да предотвратите случайно стартиране по време на техническо обслужване, завъртете ключа за безопасност на 0 и извадете акумулатора. Изчакайте най-малко 5 секунди преди да започнете техническото обслужване.



- Изпълнявайте стъпките от техническото обслужване, посочени в тази инструкция за експлоатация. По-значителни ремонтни дейности и професионални ремонти трябва да се извършват от одобрен сервиз. За повече информация говорете с най-близкия до Вас сервиз.
- Извършете правилно техническото обслужване, за да увеличите срока на експлоатация на продукта и да намалите опасността от инциденти.
- Заменете повредени, износени или счупени части. Винаги използвайте оригинални резервни части от производителя. Други резервни части могат да доведат до повреждане на продукта и да увеличат риска от злополуки.
- За предотвратяване на нараняване не отстранявайте устройствата за безопасност и не ги модифицирайте.
- Сложете ръкавици за тежки условия, когато използвате режещото оборудване. Ножът е много остър и можете лесно да се порежете.
- Поддържайте режещите краища остри и чисти за най-добра и безопасна производителност.
- Редовно проверявайте продукта при Вашия сервиз и извършвайте необходимите корекции и ремонтни дейности.
- Следвайте инструкциите за смяна на аксесоарите. Използвайте само аксесоари от производителя.
- Когато не ги използвате, съхранявайте продукта, акумулатора и зарядното устройство отделно на закрито сухо и заключено място. Уверете се, че деца и лица, които не са одобрени, не могат да получат достъп до продукта, акумулатора или зарядното устройство.

## Монтаж

### Въведение



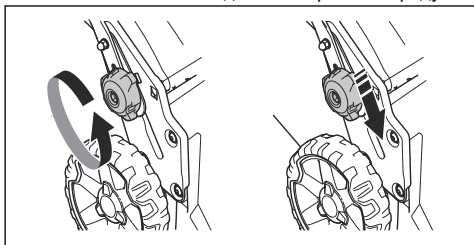
**ПРЕДУПРЕЖДЕНИЕ:** Преди да сглобите машината, прочетете главата за безопасност.



**ПРЕДУПРЕЖДЕНИЕ:** За да предотвратите случайно стартиране по време на монтаж, завъртете ключа за безопасност на 0, отстранете акумулатора и изчакайте най-малко 5 секунди.

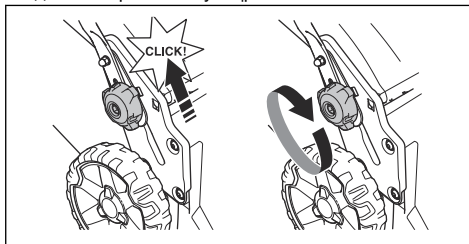
### За регулиране на ръкохватката

1. Разхлабете долните копчета.
2. Преместете фиксаторите към долния край на каналите от лявата и дясната страна на продукта.



3. Задайте височината на дръжката в едно от 2 възможни положения.

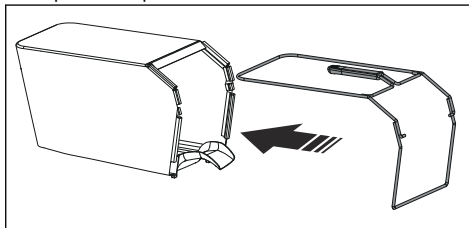
4. Преместете фиксаторите по посока на дръжката, докато спрат и се чуе щракване.



5. Затегнете напълно фиксаторите.

### За сглобяване на коша за трева

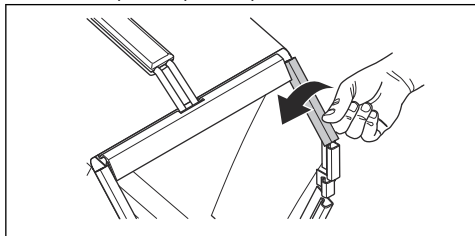
1. Прикрепете рамката на коша за трева към торбата за събиране на трева, като твърдата част на торбата трябва да е отдолу. Дръжте ръкохватката на рамката от горната страна на торбата за трева.



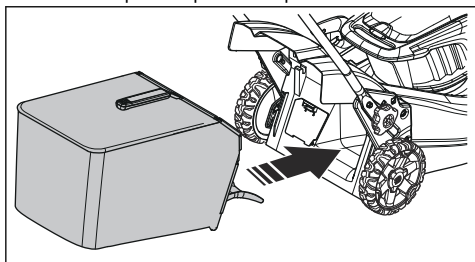
2. Прикрепете долната секция на рамката на коша за трева в канала от долната страна на коша за трева.



- Прикрепете торбата за трева към рамката на коша за трева с фиксаторите.

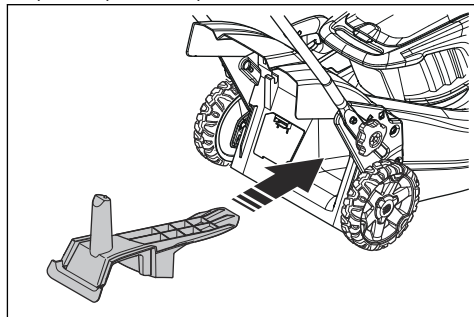


- Вдигнете задния капак.
- Прикрепете коша за трева към горния ръб на шасито.
- Поставете долната част на коша за трева в канала за разтоварване на тревата.



## За монтиране на приставката за мулчиране (аксесоар)

- Вдигнете задния капак и извадете коша за трева.
- Поставете приставката за мулчиране в канала за разтоварване на тревата.



- Заменете ножа с ножа за мулчиране, доставен в комплекта за мулчиране. Вижте *За сменяне на ножовете на страница 45*.

## Операция

### Въведение



**ПРЕДУПРЕЖДЕНИЕ:** Преди работа с продукта трябва да прочетете и разберете главата за безопасност.

### Husqvarna Connect

Husqvarna Connect е безплатно приложение за Вашето мобилно устройство. Приложението Husqvarna Connect осигурява разширени функции за Вашия продукт на Husqvarna:

- Разширена продуктова информация.
- Информация и помощ за частите на продукта и сервисното обслужване.

### За да започнете да използвате Husqvarna Connect

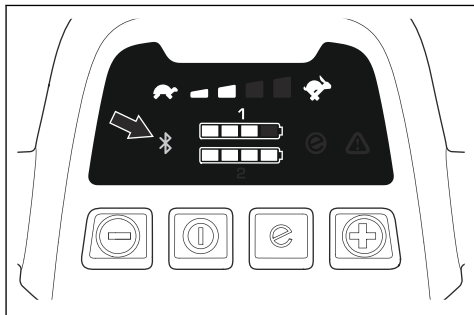
- Изтеглете приложението Husqvarna Connect на Вашето мобилно устройство.
- Регистрирайте се в приложението Husqvarna Connect.
- Следвайте стъпките с инструкции в приложението Husqvarna Connect, за да свържете и регистрирате продукта.

**Забележка:** Приложението Husqvarna Connect не е налично за изтегляне на всички пазари. Свържете се с дистрибутор по обслужването за повече информация.

### Информация за Bluetooth® (LC 347IVX, LC 353IVX)

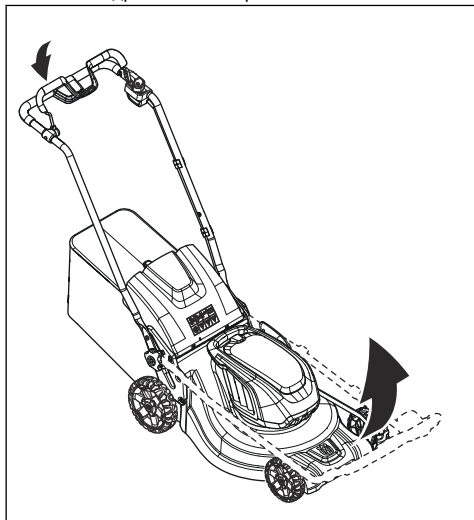
#### Bluetooth® безжична технология

Символът за *Bluetooth®* безжична технология се появява, когато Вашето мобилно устройство е свързано към продукта.

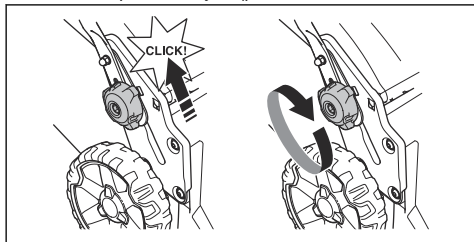


## Задаване на продукта в положение за работа

1. Сгънете дръжката в изправено положение.



2. Преместете фиксаторите по посока на дръжката, докато спрат и се чуе щракване.



3. Затегнете напълно фиксаторите.



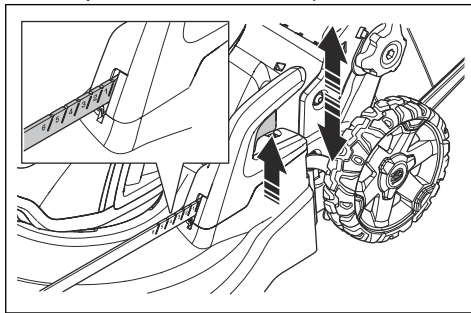
**ПРЕДУПРЕЖДЕНИЕ:** Не работете с продукта, ако ръкохватката не е сгъната докрай нагоре и не е установена в една от приложимите позиции за височина. Направете справка с *За регулиране на ръкохватката на страница 36*.

## За регулиране на височината на рязане

Височината на рязане може да бъде регулирана в 6 нива.

1. Преместете надолу лоста за височина на рязане, за да намалите височината на рязане.

2. Преместете нагоре лоста за височина на рязане, за да увеличите височината на рязане.



**ВНИМАНИЕ:** Не настройвайте твърде ниска височина на рязане. Ножовите могат да се ударят в земята, ако повърхността на моравата не е равна.

## Акумулатор



**ПРЕДУПРЕЖДЕНИЕ:** Преди да използвате акумулатора, трябва да прочетете и разберете главата за безопасност. Вие трябва също да прочетете и разберете ръководството на оператора за акумулатора и зарядното устройство.

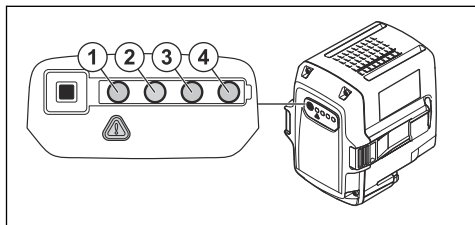
Поддържайте подходяща околна температура за акумулаторната батерия и зарядното устройство.

	Околна температура
Работа на акумулаторната батерия	5°C – 40°C
Зареждане на акумулаторната батерия	5°C – 40°C

## Статус на батерията

Дисплей показва оставащия капацитет на акумулатора и дали има проблеми с него. Капацитетът на акумулатора се показва за 5 секунди, след като продуктът бъде изключен или бутонът за индикатора на акумулатора бъде натиснат. Символът за предупреждение върху

аккумулятора се включва, когато има грешка. Вижте *Акумулатор на страница 45*.



Светодиодни лампи	Статус на батерията
Всички светодиоди светят	Напълно зареден (75 – 100%)
Светодиоди 1, 2, 3 светят	Акумулаторът е зареден на 50% – 75%
Светодиоди 1 и 2 светят	Акумулаторът е зареден на 25% – 50%
Светодиод 1 свети	Акумулаторът е зареден на 0% – 25%.
Светодиод 1 мига	Батерията е изтощена. Заредете батерията.

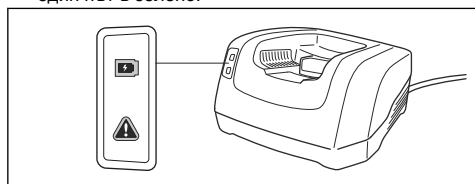
### За зареждане на акумулатора

Заредете акумулатора преди използване за първи път. Акумулаторът е зареден само на 30%, когато се доставя на клиента.

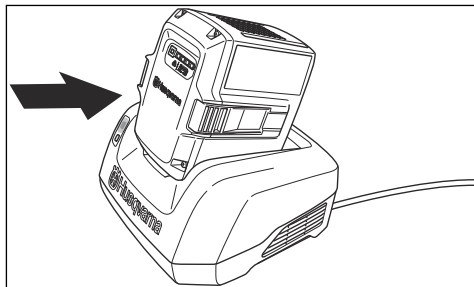
**Забележка:** Зарядното устройство на акумулатора трябва да бъде свързано към напрежението и честотата, посочени на типовата табелка.

Акумулаторът не се зарежда, ако температурата на акумулатора е над 50°C. Зарядното устройство намалява температурата на акумулатора, преди да започне да зарежда.

1. Свържете единия край на захранващия шнур на зарядното устройство в гнездото на зарядното устройство.
2. Свържете другия край на захранващия шнур за зарядното устройство в заземен контакт. Светодиодът на зарядното устройство примигва един път в зелено.



3. Поставете батерията в зарядното устройство. Когато акумулаторът е правилно свързан към зарядното устройство, на зарядното устройство светва зелена светлина.



4. Когато всички светодиоди на акумулатора светнат, акумулаторът е напълно зареден. Зареждайте акумулатора за най-много 24 часа.
5. За да разкачите зарядното устройство на акумулатора от контакта, издърпайте щепсела, а не кабела.
6. Извадете батерията от зарядното устройство.

### Състояние на зареждане на акумулатора

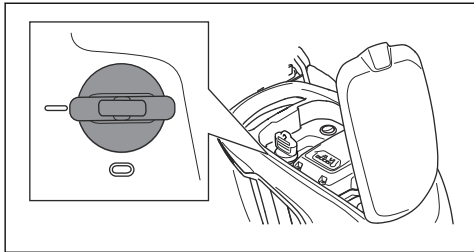
Литиево-йонният акумулатор Husqvarna може да бъде зареждан или използван във всички нива на заряда. Батерията не се поврежда. Напълно зареденият акумулатор няма да намали заряда си, дори когато е оставен в зарядното устройство.

Светодиоден дисплей	Състояние на зареждането
Светодиод 1 мига	0% – 25%
Светодиод 1 свети, светодиод 2 мига	25%-50%
Светодиоди 1 и 2 светят, светодиод 3 мига	50%-75%
Светодиоди 1, 2 и 3 светят, светодиод 4 мига	75%-100%
Светодиоди 1, 2, 3 и 4 светят	Напълно зареден

### За стартиране на продукта (LC 247i)

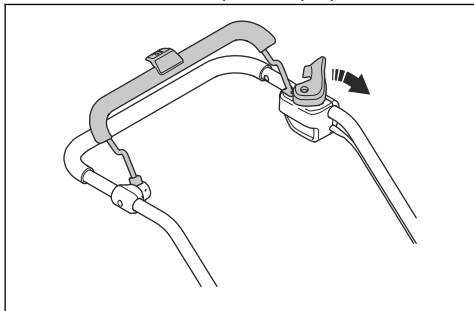
1. Отворете капака на акумулатора.
2. Поставете зареден акумулатор в 1 от отделенията за акумулатора. За по-дълъг период на работа поставете втори зареден акумулатор в другото отделение на зарядното устройство.

3. Завъртете ключа за безопасност на 1.

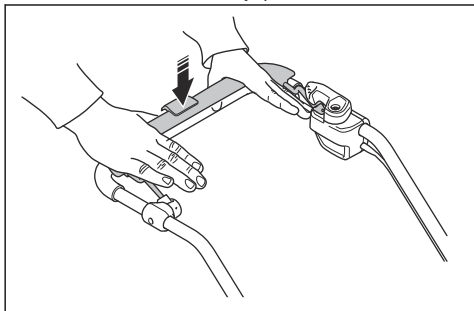


4. Останете зад продукта.

5. Разхлабете инхибитора за стартиране.



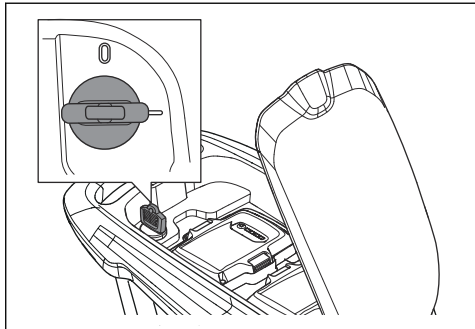
6. Натиснете ръкохватката за спирачката на двигателя по посока на управлението.



## За стартиране на продукта (LC 347iVX, LC 353iVX)

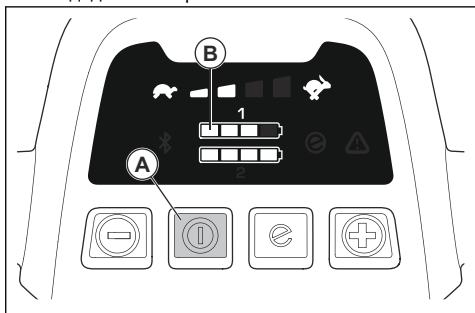
1. Отворете капака на акумулатора.
2. Поставете зареден акумулатор в 1 от отделенията за акумулатор. За по-дълъг период на работа поставете втори зареден акумулатор в другото отделение за акумулатор.

3. Завъртете ключа за безопасност на 1.

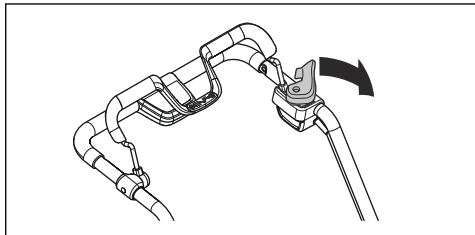


4. Останете зад продукта.

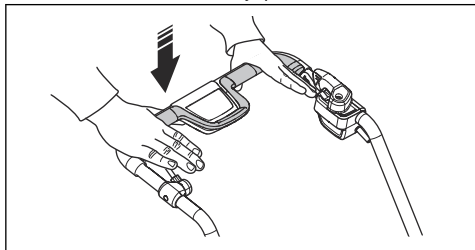
5. Натиснете бутона (A) ON/OFF (ВКЛ./ИЗКЛ.) на разпределителното табло. Дисплеят се включва. Индикаторът (B) на акумулатора показва нивото на заряда на 2-та акумулатора. Номерът на акумулатора, който работи, е показан в съседство с индикатора за акумулатор. За модели LC 347iVX, LC 353iVX дисплеят показва и зададената скорост.



6. Разхлабете инхибитора за стартиране.

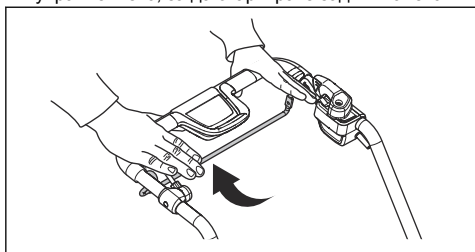


7. Натиснете ръкохватката за спиращката на двигателя по посока на управлението.

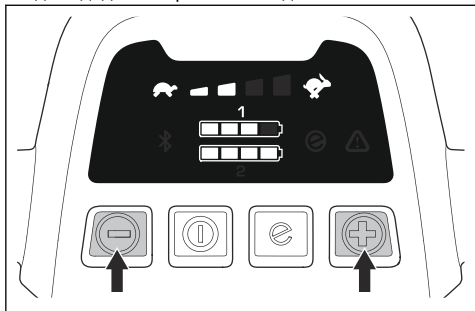


### За да използвате задвижването на колелата LC 347iVX, LC 353iVX

- Дръпнете дръжката за задвижване по посока на управлението, за да стартирате задвижването.



- Натиснете + и - на разпределителното табло, за да зададете скоростта на задвижване в 4 стъпки.

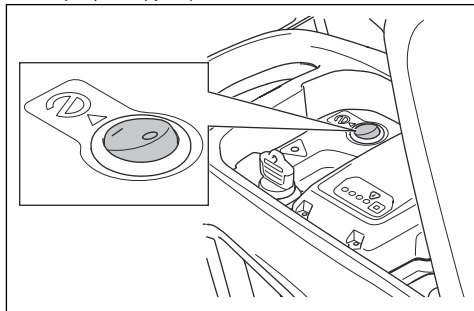


- Освободете дръжката за задвижване, за да изключите задвижването, например, когато приближите препятствие.

### За да използвате функцията SaveE™ (LC 247i)

Продуктът разполага с функция за пестене на енергия на акумулатора (SaveE™), която осигурява по-дълго време на работа.

- Натиснете бутона SaveE™ в позиция 1, за да стартирате функцията.



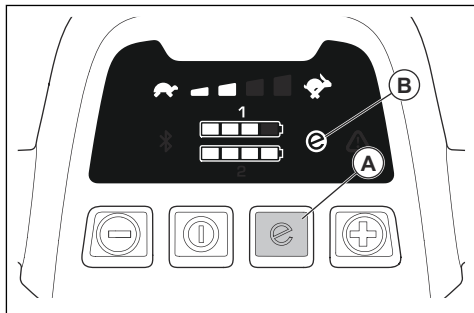
- Натиснете бутона SaveE™ в позиция 0, за да спрете функцията.

**Забележка:** Функцията SaveE™ спира автоматично, ако условията на терена изискват по-висока мощност. Функцията SaveE™ стартира автоматично отново, когато условията на терена го позволяват.

### За да използвате функцията SaveE™ (LC 347iVX, LC 353iVX)

Продуктът разполага с функция за пестене на енергия на акумулатора (SaveE™), която осигурява по-дълго време на работа.

1. Натиснете бутона SaveE™ (A), за да стартирате функцията. Символът SaveE™ (B) на дисплея се показва.
2. Натиснете отново бутона SaveE™, за да спрете функцията. Символът SaveE™ (B) на дисплея се изключва.



**Забележка:** Функцията SaveE™ спира автоматично, ако условията на терена изискват по-висока мощност. Функцията SaveE™ стартира автоматично, когато условията на терена го позволяват.

## Функция на високо натоварване

Когато продуктът реже дълга или влажна трева, двигателят автоматично повишава оборотите. Двигателят се връща към стандартен режим, когато не е необходимо голямо натоварване.

## Автоматично рестартиране

По време на работа ножът и двигателят могат да спрат временно поради препятствия, като натрупване на трева под капака на режещите части. Ако се случи това и Вие държите ръкохватката на спирачката на двигателята натисната надолу, продуктът се опитва да се рестартира автоматично. Ако продуктът не се рестартира в рамките на 5 секунди, може да се окаже необходимо да се почисти пространството под капака на режещите части. Направете справка с *За почистване на машината на страница 44*.



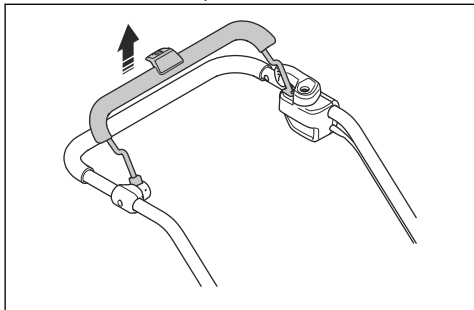
**ПРЕДУПРЕЖДЕНИЕ:** Преди да проверите под капака на режещите части, освободете ръкохватката на спирачката на двигателя, завъртете ключа за безопасност на 0, махнете акумулаторната батерия и изчакайте най-малко 5 секунди. Има опасност от нараняване, ако след премахването на препятствието продуктът стартира неочаквано.

## За спиране на продукта (LC 247i)

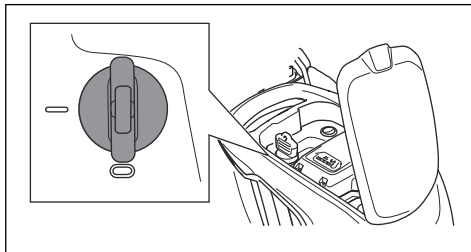


**ПРЕДУПРЕЖДЕНИЕ:** Завъртете ключа за безопасност на 0, преди да оставите продукта без надзор.

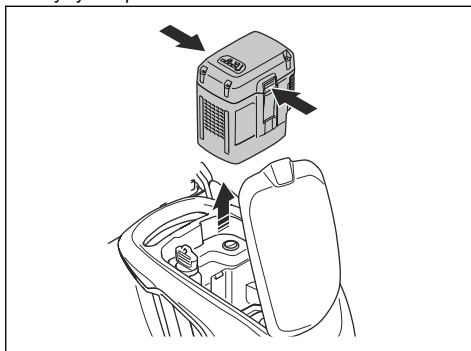
1. Освободете ръкохватката за спирачката на двигателя, за да спрете двигателя.



2. Отворете капака на акумулатора и завъртете ключа за безопасност в положение 0.



3. За да извадите акумулатора, натиснете 2-та бутон за освобождаване и извадете акумулатора.



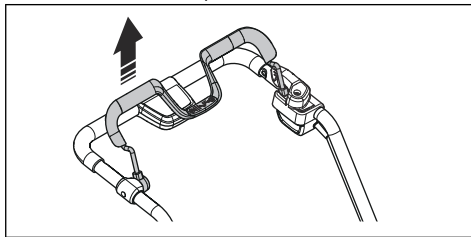
4. Заредете акумулатора, ако е изтощен. За повече информация вижте *За зареждане на акумулатора на страница 39*.

## За спиране на продукта (LC 347iVX, LC 353iVX)

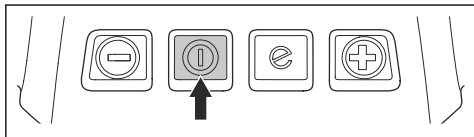


**ПРЕДУПРЕЖДЕНИЕ:** Завъртете ключа за безопасност на 0, преди да оставите продукта без надзор.

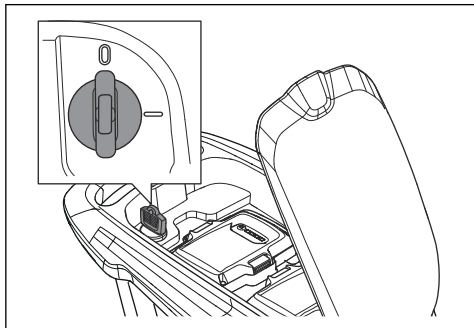
1. Освободете ръкохватката за спирачката на двигателя, за да спрете двигателя.



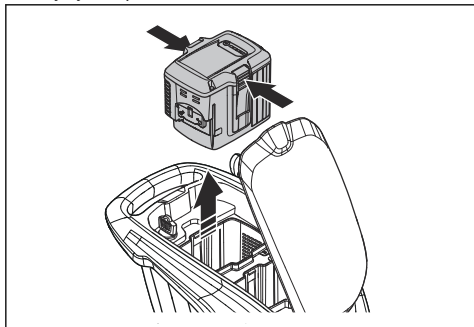
2. Натиснете бутона ON/OFF (ВКЛ./ИЗКЛ.) на разпределителното табло. Всички светодиодни светлини и символи на дисплея се изключват.



3. Отворете капака на акумулатора и завъртете ключа за безопасност в положение 0.



4. За да извадите акумулатора, натиснете 2-та бутон за освобождаване и извадете акумулатора.



5. Заредете акумулатора, ако е изтощен. За повече информация вижте *За зареждане на акумулатора на страница 39.*

**Забележка:** Продуктът се изключва автоматично, ако не го използвате за няколко минути. За повторно стартиране на продукта направете справка с *За стартиране на продукта (LC 347iVX, LC 353iVX) на страница 40.*

## За получаване на добър резултат

- Винаги използвайте остър нож. Косенето със затъпен нож е неравномерно и окосената повърхност пожълтява. При работа с остър нож също така се използва по-малко енергия отколкото при работа със затъпен нож.
- Не отрязвайте повече от  $\frac{1}{3}$  от дължината на тревата. Първо, косете със зададена висока височина на рязане. Вижте какъв е резултатът и намалете височината на рязане до подходящо ниво. Ако тревата е много висока, карайте бавно и – ако е необходимо – окосете два пъти.
- Режете всеки път в различни посоки, за да избегнете образуването на линии в моравата.
- Поддържайте капака за рязане чист. Натрупването на трева и замърсявания по вътрешната страна на капака за рязане могат да намалят резултата от рязането. Вижте *За почистване на машината на страница 44.*

## За да режете трева без монтирани кош за трева или приставка за мулчиране

- Повдигнете задния капак и извадете коша за трева.
- Ако има монтирани приставка за мулчиране и острие за мулчиране, извадете ги.
- Затворете задния капак преди работа с продукта.

Когато работите с продукта, изрязаната трева се извежда под задния капак.

## Поддръжка

### Въведение



**ПРЕДУПРЕЖДЕНИЕ:** Преди да извършите техническо обслужване, трябва да прочетете и разберете раздела за безопасност.

За всички работи по поддръжката и поправката на продукта е необходимо специално обучение. Осигуряваме предлагане на професионални ремонти и обслужване. Ако Вашият дилър не предлага сервизно обслужване, говорете с него, за да Ви даде информация за най-близкия сервиз.

За по-подробна информация направете справка с [www.husqvarna.com](http://www.husqvarna.com).

### График за техническо обслужване

Интервалите за техническо обслужване са изчислени в зависимост от ежедневната употреба на продукта. Интервалите се променят, ако продуктът не се използва ежедневно.

За техническо обслужване, маркирано със \*, вижте инструкциите в *Безопасност на страница 29.*

	При всяка употреба	Всеки месец	Всеки сезон
Обща проверка	X		
Почистване на продукта	X		
Проверете инхибитора на стартирането *	X		
Уверете се, че устройствата за безопасност на продукта не са дефектни *	X		
Преглед на режещото оборудване	X		
Проверка на капака на режещите части *	X		
Извършване на проверка на ръкохватката за спирачката на двигателя *	X		
Уверете се, че бутонът ON/OFF (ВКЛ./ИЗКЛ.) функционира правилно и не е дефектен	X		
Проверете акумулатора за повреда	X		
Проверка на заряда на акумулатора	X		
Уверете се, че бутоните за освобождаване на акумулатора работят изправно и че акумулаторът е фиксиран в продукта	X		
Проверете зарядното устройство за повреда и се уверете, че функционира изправно.		X	
Проверете връзките между акумулатора и продукта. Освен това проверете връзката между акумулатора и зарядното устройство.			X

## За извършване на обща проверка

- Уверете се, че всички гайки и винтове на продукта са затегнати.
- Уверете се, че кабелите на продукта не са в положение, в което могат да бъдат повредени.

## За почистване на машината

- Почиствайте пластмасовите части със суха кърпа.
- Не използвайте вода за почистване на продукта. Водата може да навлезе в акумулатора или в двигателя и да причини късо съединение или повреда на продукта.
- Не мийте продукта с устройство за миене под високо налягане.
- Не пръскайте вода директно върху двигателя.
- За отстраняване на листа, трева и прах използвайте четка.

## За почистване на акумулатора и зарядното устройство



**ПРЕДУПРЕЖДЕНИЕ:** Не почиствайте акумулаторната батерия или зарядното устройство с вода.

- Преди да поставите батерията в зарядното устройство се уверете, че батерията и зарядното устройство са чисти и сухи.
- Почистете клемите на акумулатора с въздух под налягане или използвайте чиста и суха кърпа.
- Почистете повърхностите на акумулатора и зарядното устройство с чиста и суха кърпа.

## За проверка на режещото оборудване



**ПРЕДУПРЕЖДЕНИЕ:** За да предотвратите случайно стартиране, завъртете ключа за безопасност на 0, отстранете акумулатора и изчакайте най-малко 5 секунди.



**ПРЕДУПРЕЖДЕНИЕ:** Носете защитни ръкавици, когато ще изпълнявате дейности, свързани с техническото обслужване на режещото оборудване. Ножът е много остър и можете лесно да се порежете.

1. Проверете режещото оборудване за повреди или пукнатини. Винаги заменяйте повреденото режещо оборудване.



- Погледнете ножа, за да разберете дали не е повреден или затъпен.

**Забележка:** Необходимо е да балансирате ножа след заточване. Ножът се заточва, сменя и балансира от сервизен център. Ако ударите препятствие и вследствие на това продуктът спре, сменете повредения нож. Оставете специалистите в сервиза да преценят дали ножът ще трябва да се заточи, или да се смени.

## За сменяне на ножовете

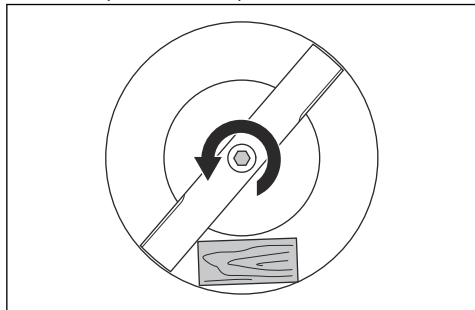
Направете справка с *Технически данни на страница 49* за правилния тип нож.



### ПРЕДУПРЕЖДЕНИЕ:

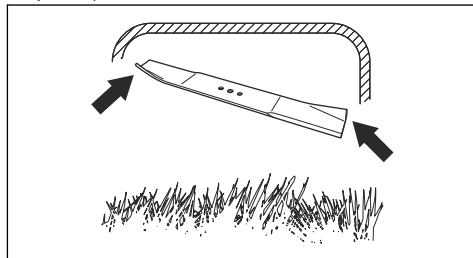
Застопорете ножа с дървено блокче, за да предотвратите нараняването на пръстите Ви при смяна на ножа. Когато двигателят е изключен, ножът може да се премести и пръстите да бъдат захванати между ножа и неподвижните части.

- Застопорете ножа с дървен блок.

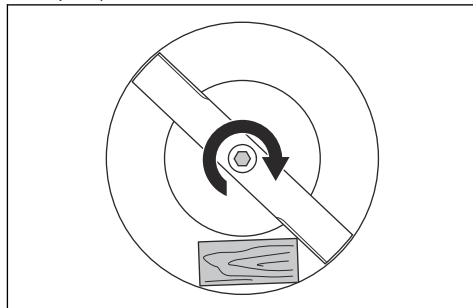


- Свалете придържащия болт на ножовете.
- Свалете ножа.
- Проверете носача на ножа и придържащия болт на ножовете, за да видите дали има повреди.
- Проверете двусекционния вал на двигателя, за да се уверите, че не е огънат.

- Когато поставяте новия нож, насочете извитите краища на ножа по посока към капака на режещите части.



- Уверете се, че ножът е подравнен с центъра на двусекционния вал на двигателя.
- Застопорете ножа с дървен блок. Поставете пружинната шайба и затегнете болта и шайбата с въртящ момент 23 – 28 Nm.



- Раздвижете ножа на ръка и се уверете, че той се върти свободно.



### ПРЕДУПРЕЖДЕНИЕ:

Използвайте ръкавици с висока здравина. Ножът е много остър и можете лесно да се порежете.

- Стартирайте продукта, за да тествате ножа. Ако ножът не е поставен правилно, продуктът вибрира или резултатът от косенето е незадоволителен.

## Отстраняване на проблеми

### Акумулатор

Светодиод на акумулатора	Причина	Решение
Зеленият светодиод мига.	Напрежението на акумулатора е ниско.	Заредете акумулаторната батерия. Вижте <i>За зареждане на акумулатора на страница 39</i> .

Светодиод на акумулатора	Причина	Решение
Светодиодът за грешка мига.	Акумулаторът е изтощен.	Заредете акумулаторната батерия. Вижте <i>За зареждане на акумулатора на страница 39</i> .
	Температурата в работната среда е прекалено висока или прекалено ниска.	Използвайте акумулаторната батерия при температури между 5°C – 40°C.
	Свърхнапрежение.	Уверете се, че напрежението на електрическата мрежа е същото като на типовата табелка на продукта.  Извадете акумулатора от зарядното устройство. Изчакайте 5 секунди и опитайте отново да заредите акумулатора. Ако проблемът продължава, обърнете се към одобрен сервиз.
Светодиодът за грешка свети.	Разликата в клетките е твърде голяма (1 V).	Обърнете се към одобрен сервиз.

## Зарядно устройство за акумулаторна батерия

Светодиод на зарядното устройство	Причина	Решение
Светодиодът за грешка мига.	Температурата в работната среда е прекалено висока или прекалено ниска.	Използвайте зарядното устройство за акумулаторни батерии при температури между 5°C – 40°C.
Светодиодът за грешка свети.		Обърнете се към одобрен сервиз.

## Косачка за трева

Индикаторът за предупреждение (светодиод за грешка) се намира под капака на акумулаторната

батерия ((LC 247i)) или на таблото за управление ((LC 347iVX, LC 353iVX)).

Проблем	Светодиод за грешка (брой премигвания)	Причина	Решение
Светодиодът за грешка мига. Продуктът не работи правилно.	3	Ножът е блокиран.	Завъртете ключа за безопасност на 0, за да предотвратите случайно стартиране. Отстранете акумулатора и изчакайте най-малко 5 секунди. Отстранете потенциалните препятствия и се уверете, че ножът може да се върти свободно. Ако проблемът продължава, обърнете се към одобрен сервиз.
	5	Оборотите на двигателя спадат прекалено много и двигателят спира.	Увеличете височината на рязане. Вижте <i>За регулиране на височината на рязане на страница 38</i> .
	6 <sup>5</sup>	Колелата или трансмисията е блокирана.	Завъртете ключа за безопасност на 0, за да предотвратите случайно стартиране. Отстранете акумулатора и изчакайте най-малко 5 секунди. Отстранете потенциалните препятствия и се уверете, че колелата могат да се въртят свободно. Ако проблемът продължава, обърнете се към одобрен сервиз.
	10	Управлението на двигателя е прекалено горещо.	Спрете двигателя и изчакайте докато изстине.
Светодиодът за грешка мига. Продуктът спира.	0	Грешка в конектора на акумулатора.	Проверете конектора на акумулатора.
	3	Има претоварване в двигателя.	Увеличете височината на рязане. Вижте <i>За регулиране на височината на рязане на страница 38</i> .
	8	Акумулаторът е изтощен.	Заредете акумулаторната батерия. Вижте <i>За зареждане на акумулатора на страница 39</i> .
	9	Грешка на акумулатора или липса на сигнал от него.	Поставете правилно акумулатора в продукта и проверете конектора на акумулатора. Ако светодиодът за грешка на акумулатора мига. Вижте <i>Акумулатор на страница 45</i> .
	12	Неправилна процедура за пускане. Ръкохватката на спирачката на двигателя е била задействана преди стартирането на двигателя.	Освободете ръкохватката на спирачката на двигателя и изчакайте приблизително 5 секунди. Натиснете ръкохватката на спирачката на двигателя отново надолу, за да стартирате продукта.
Други грешки.	Ако грешката се прояви, завъртете ключа за безопасност на 0, извадете акумулатора и се обърнете към упълномощен сервиз.		

<sup>5</sup> LC 347iVX, LC353iVX

# Транспортиране, съхранение и изхвърляне

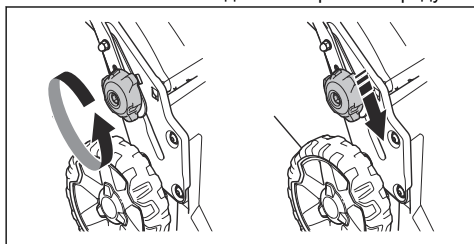
## Въведение



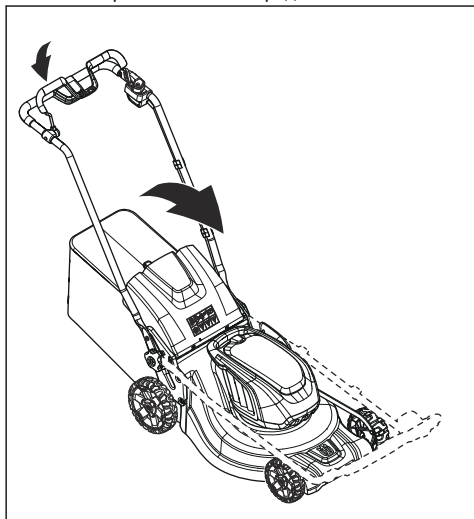
**ПРЕДУПРЕЖДЕНИЕ:** За да предотвратите случайно стартиране по време на транспортиране, завъртете ключа за безопасност на 0, отстранете акумулатора и изчакайте най-малко 5 секунди.

## За да зададете продукта в положение при транспортиране

1. Разхлабете долните копчета.
2. Преместете фиксаторите към долния край на каналите от лявата и дясната страна на продукта.



3. Сгънете ръкохватката напред.



4. Извадете коша за трева.

## Транспортиране

- В сила са изискванията на Законодателството за опасни продукти, отнасящи се до литиево-йонни акумулатори.

- За търговско транспортиране трябва да се спазват специалните изисквания върху опаковката и етикетите.
- Уверете се, че спазвате разпоредбите за опасни материали, когато подготвяте продукта за транспорт. Може да са в сила местни разпоредби.
- Винаги изваждайте акумулатора при транспортиране.
- Поставете тиксо върху конекторите на акумулатора и се уверете, че акумулаторът не може да се движи по време на транспортиране.
- Закрепете продукта по време на транспортиране.

## Съхранение

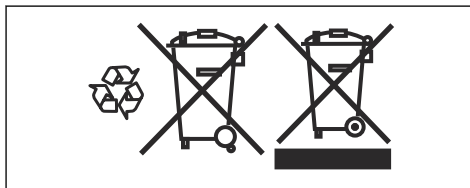
- Оставете продукта да се охлади, преди да го приберете за съхранение.
- Винаги изваждайте акумулатора за съхранение.
- За да се избегнат инциденти, се уверете, че акумулаторът не е свързан към продукта по време на съхранение.
- Съхранявайте зарядното устройство в затворено и сухо помещение.
- Съхранявайте акумулатора и зарядното устройство на сухо място, където няма влага или скреж.
- При съхранение разкачете акумулатора от зарядното устройство.
- Не съхранявайте акумулатора, където може да се натрупа статично електричество. Не съхранявайте акумулаторната батерия в метална кутия.
- Съхранявайте продукта на място, на което околната температура е между  $-10^{\circ}\text{C}$  и  $40^{\circ}\text{C}$ .
- Съхранявайте акумулаторната батерия на място, на което околната температура е между  $5^{\circ}\text{C}$  и  $25^{\circ}\text{C}$ , и далеч от слънчева светлина.
- Съхранявайте зарядното устройство на място, на което околната температура е между  $5^{\circ}\text{C}$  и  $45^{\circ}\text{C}$ , и далеч от слънчева светлина.
- Уверете се, че акумулаторът е зареден до 30% – 50% преди съхранение за продължителен период.
- Съхранявайте продукта, акумулатора и зарядното устройство в заключено помещение без достъп за деца или неупълномощени лица.
- Почистете продукта и се уверете, че кошът за трева е празен.
- Извършвайте процедурите по техническото обслужване, посочени в това ръководство за оператора. Вижте *Поддръжка на страница 43*.
- Извършете цялостно сервизно обслужване, преди оставите продукта за продължително съхранение.

## Изхвърляне

Символите на продукта или на неговата опаковка показват, че този продукт не може да бъде третиран като битов отпадък. Той трябва да бъде подаден в съответната рециклираща станция за използване на електрическо и електронно оборудване.

Подавайки този продукт на правилното място, вие спомогате за предотвратяване на потенциалното негативно отражение върху околната среда и хората, което би могло да настъпи иначе в резултат на неправилно изхвърляне на този продукт. За повече подробна информация относно

рециклирането на този продукт се свържете с местната администрация, услугите за битови отпадъци или магазина, откъдето сте закупили продукта.



## Технически данни

### Технически данни

	LC 247i	LC 347iVX	LC 353iVX
<b>Двигател за косене</b>			
Тип двигател	BLDC (безчетков) 36 V	BLDC (безчетков) 36 V	BLDC (безчетков) 36 V
Обороти на двигателя – SavE, об./мин.	2600/min	2600/min	2600/min
Обороти на двигателя – номинални, об./мин.	3000/min	3000/min	3000/min
Обороти на двигателя – високо натоварване, об./мин.	3500/min	3500/min	3500/min
Изходна мощност на двигателя – макс. kW	0,96	0,96	1,05
Изходна мощност на двигателя – номинална, kW	0,75	0,75	0,9
<b>Двигател за задвижване</b>			
Изходна мощност на двигателя – номинална, kW	Не е налично	0,25	0,25
Обороти за самостоятелно задвижване, km/h	Не е налично	3,0 – 4,5	3,0 – 4,5
Нива за регулиране на оборотите	Не е налично	4	4
<b>Тегло</b>			
Тегло без торба (без акумулаторна батерия), kg	24,5	26	28
Тегло с торба (вкл. 2 x BLi30), kg	30,5	32,0	34,5
<b>Акумулатор</b>			
Тип акумулатор	Серия акумулатори Husqvarna		
<b>Време на работа на батерията</b>			
Време за работа на акумулаторната батерия, мин. (свободна работа) при активирания функция SavE, с една акумулаторна батерия Husqvarna 7,7 Ah (BLi30).	62	62	46

	LC 247i	LC 347iVX	LC 353iVX
Време за работа на акумулаторната батерия, мин. (свободна работа) при активен стандартен режим с една акумулаторна батерия Husqvarna 7,7 Ah (BLi30).	43	43	28
<b>Шумови емисии</b> <sup>6</sup>			
Ниво на звуковата мощност, измерена dB(A)	94	94	97
Ниво на звуковата мощност, гарантирана [L <sub>WA</sub> dB(A)]	95	95	98
<b>Нива на шума</b> <sup>7</sup>			
Ниво на шума при ухото на оператора, dB (A)	82	82	86
<b>Нива на вибрациите</b> <sup>8</sup>			
Ръкохватка, m/s <sup>2</sup>	0,42	0,42	2,64
<b>Режещо оборудване</b>			
Височина на рязане, mm	20 – 75 mm	20 – 75 mm	20 – 75 mm
Ширина на рязане, cm	47	47	53
Стандартен нож	Събиране 5905934-10	Събиране 5905934-10	Събиране 5940757-10
Приспособления за нож	Мулчиране 5907010-10	Мулчиране 5907010-10	Мулчиране 5950072-10
Капацитет на коша за трева, литри	55	55	60

Данни за радиочестота за Bluetooth®	LC 247i	LC 347iVX	LC 353iVX
Честотна лента, GHz	Не е налично	2,4-2,4835	2,4-2,4835
Изходяща мощност, макс. dBm	Не е налично	4	4

Одобрени акумулатори	Тип	Капацитет на акумулаторната батерия, Ah	Напрежение, V	Тегло, lb/kg
BLi20	Литиево-йонен	4,0	36	2,6/1,2

<sup>6</sup> Емисии на шума в околната среда, измерени като звукова мощност (L<sub>WA</sub>) в съответствие с директива на ЕО 2000/14/ЕО.

<sup>7</sup> Отчетените данни за нивото на звуковото налягане имат фактор на несигурност (K) от 1,5 dB(A).

<sup>8</sup> Отчетените данни за нивата на вибрациите имат фактор на несигурност (K) от 1,5 m/s<sup>2</sup>. Обявената обща стойност на вибрациите е измерена в съответствие със стандарт EN 62841-4-3, Приложение I, и може да се използва за сравняване на една машина с друга и при предварителна оценка на излагането.

Одобрени акумулатори	Тип	Капацитет на акумулаторната батерия, Ah	Напрежение, V	Тегло, lb/kg
BLi30	Литиево-йонен	7,7	36	4,2/1,9

Одобрени зарядни устройства за определени акумулатори, BLi	Входно напрежение, V	Честота, Hz	Мощност, W
QC80	100 – 240	50 – 60	80
40-C80	100 – 240	50 – 60	68,8
QC250	100 – 240	50 – 60	250

# Декларация за съответствие

## ЕС декларация за съвместимост

Ние, **Husqvarna AB**, SE-561 82 Huskvarna, Швеция,  
тел.: +46-36-146500, декларираме на своя собствена  
отговорност, че продуктът:

<b>Описание</b>	Косачка за трева
<b>Марка</b>	Husqvarna
<b>Тип/Модел</b>	LC 247i
<b>Идентификация</b>	Серийни номера от 2021 и след това

отговаря напълно на следните директиви и  
регламенти на ЕС:

<b>Директива/регламент</b>	<b>Описание</b>
2006/42/EO	"относно машини"
2014/30/EC	"относно електромагнетичната съвместимост"
2000/14/EO	"относно шумовите емисии в околната среда"
2011/65/EC	"по отношение на ограничението за използване на определени опасни вещества в електрическо и електронно оборудване"

и че следните стандарти и/или  
технически спецификации са приложени: EN  
62841-1:2015+AC:2015, EN 62841-4-3:2021+A11:2021,  
EN ISO 12100:2010, EN 55014-1:2017+A11:2020, EN  
55014-2:2015, EN IEC 63000:2018.

Упълномощен орган: 0404, RISE SMP Svensk  
Maskinprovning AB, Box 7035, SE-750 07 Uppsala,  
сертифицира съответствието с директивата на  
съвета 2000/14/EO, процедура за оценка на  
съответствието: Анекс VI.

За информация относно шумови емисии, вижте  
*Технически данни на страница 49.*

Huskvarna, 2021-12-01



Claes Losdal, мениджър "Разработки и Развитие/  
градински продукти", Husqvarna AB

Отговорен за техническата документация





## ЕС декларация за съвместимост

Ние, **Husqvarna AB**, SE-561 82 Huskvarna, Швеция,  
тел.: +46-36-146500, декларираме на своя собствена  
отговорност, че продуктът:

<b>Описание</b>	Косачка за трева
<b>Марка</b>	Husqvarna
<b>Тип/Модел</b>	LC 347iVX, LC 353iVX
<b>Идентификация</b>	Серийни номера от 2021-12-01 и след това

отговаря напълно на следните директиви и  
регламенти на ЕС:

<b>Директива/регламент</b>	<b>Описание</b>
2006/42/ЕО	"относно машини"
2014/53/ЕС	„относно радиооборудването“
2000/14/ЕО	"относно шумовите емисии в околната среда"
2011/65/ЕС	"по отношение на ограничението за използване на определени опасни вещества в електрическо и електронно оборудване"

и че следните стандарти и/или  
технически спецификации са приложени: EN  
62841-1:2015+AC:2015, EN 62841-4-3:2021+A11:2021,  
EN ISO 12100:2010, EN 55014-1:2017+A11:2020, EN  
55014-2:2015, EN IEC 63000:2018, EN ETSI 300 328  
v.2.2.2, EN 50663: 2017, ETSI EN 301 489-1 V2.2.3,  
ETSI EN 301 489-17 V3.2.4.

Упълномощен орган: 0404, RISE SMP Svensk  
Maskinprovning AB, Box 7035, SE-750 07 Uppsala,  
сертифицира съответствието с директивата на  
съвета 2000/14/ЕО, процедура за оценка на  
съответствието: Анекс VI.

За информация относно шумови емисии, вижте  
*Технически данни на страница 49.*

Husqvarna, 2021-12-01



Claes Losdal, мениджър "Разработки и Развитие/  
градински продукти", Husqvarna AB

Отговорен за техническата документация



---

## Регистрирани търговски марки

---

Словесният знак и логата на *Bluetooth®* са  
регистрирани търговски марки, собственост на  
*Bluetooth SIG, inc.*, и всяко използване на тези марки  
от Husqvarna е лицензирано.

---

## Obsah

---

Úvod.....	54	Odstraňování problémů.....	71
Bezpečnost.....	56	Přeprava, skladování a likvidace.....	73
Montáž.....	62	Technické údaje.....	74
Provoz.....	63	Prohlášení o shodě.....	76
Údržba.....	69	Registrované ochranné známky.....	77

---

## Úvod

---

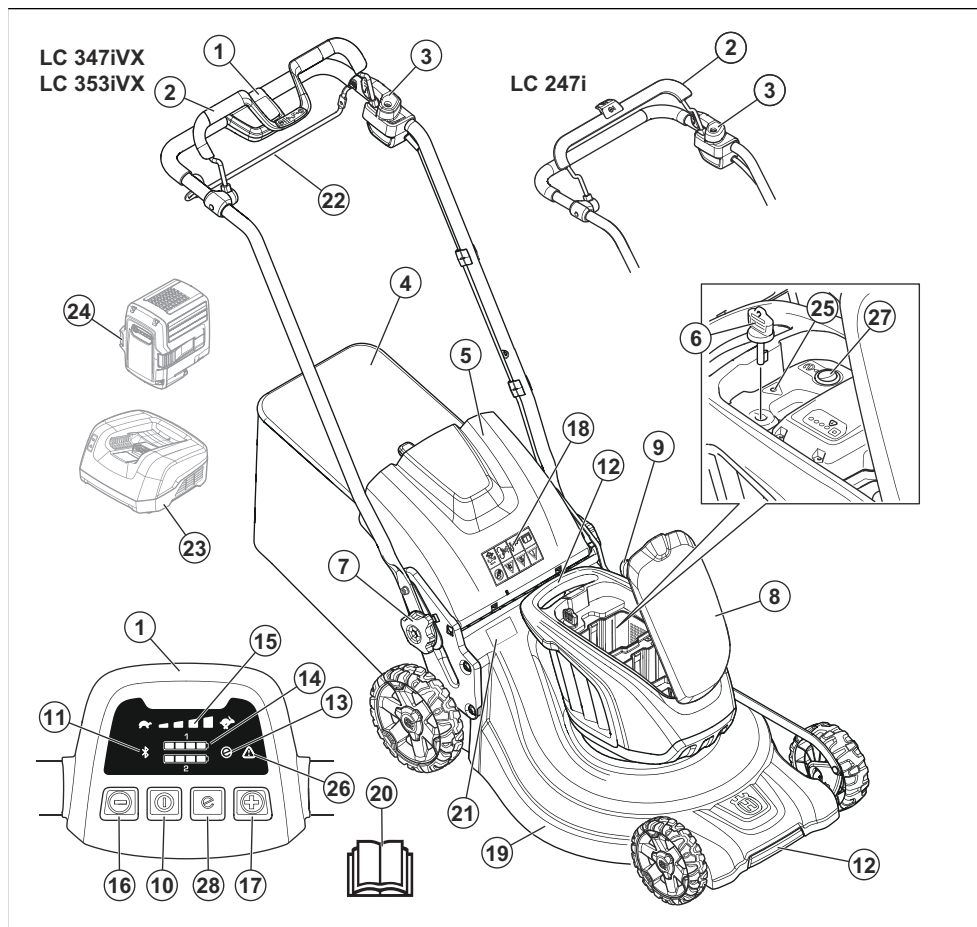
### Popis výrobku

Výrobek je rotační sekačka na trávu s pěší obsluhou. Koš na trávu slouží ke sběru posečené trávy. Chcete-li otevřít zadní výhoz trávy, sejměte koš na trávu. Připevněte mulčovací sadu (příslušenství), chcete-li používat posečenou trávu jako hnojivo.

### Zamýšlené použití

Výrobek použijte k sečení trávy. K jiným činnostem výrobek nepoužívejte.

## Popis výrobku



- |   |   |
|---|---|
| 1. Ovládací panel (LC 347iVX, LC 353iVX)        | 16. Tlačítko snížení rychlosti (LC 347iVX, LC 353iVX) |
| 2. Rukojeť brzd motoru                          | 17. Tlačítko zvýšení rychlosti (LC 347iVX, LC 353iVX) |
| 3. Inhibitor spuštění                           | 18. Symboly   |
| 4. Koš na trávu                                 | 19. Kryt žacího ústrojí                               |
| 5. Zadní kryt                                   | 20. Návod k používání                                 |
| 6. Bezpečnostní klíček                          | 21. Typový štítek                                     |
| 7. Knoflík řídek                                | 22. Páka pojezdu (LC 347iVX, LC 353iVX)               |
| 8. Kryt baterie                                 | 23. Nabíječka baterie (příslušenství)                 |
| 9. Ovladač výšky sečení                         | 24. Baterie (příslušenství)                           |
| 10. Tlačítko ZAP/VYP                            | 25. Chybová kontrolka LED (LC 247i)                   |
| 11. Kontrolka bezdrátové technologie Bluetooth® | 26. Chybová kontrolka LED (LC 347iVX, LC 353iVX)      |
| 12. Zvedací rukojeť                             | 27. Tlačítko Save (LC 247i)                           |
| 13. Kontrolka funkce Save                       | 28. Tlačítko Save (LC 347iVX, LC 353iVX)              |
| 14. Kontrolka baterie                           |   |
| 15. Ukazatel rychlosti (LC 347iVX, LC 353iVX)   |   |

## Symbols na výrobku



VAROVÁNÍ



Přečtěte si pokyny.



VAROVÁNÍ – Dávejte pozor na odmrštěné předměty.



Udržujte dostatečnou vzdálenost od okolních osob.



VAROVÁNÍ – Ruce a nohy udržujte mimo dosah nožů.



VAROVÁNÍ – Před údržbou odpojte baterii.



Výrobek ani obal výrobku nelze zlikvidovat jako domácí odpad. Odevzdejte jej ve stanici pro recyklaci elektrických a elektronických zařízení.



Výrobek odpovídá příslušným směrnícím ES.



Štítek s emisemi hluku do okolí podle směrnic a předpisů EU a Spojeného království. Garantovaná hladina akustického výkonu tohoto

výrobku je uvedena v části *Technické údaje na strani 74* a na štítku.

## IPX1

Výrobek je chráněn proti kapající vodě.



Uvolněním rukojeti brzdy motoru zastavíte.



Skenovatelný kód

**Povšimněte si:** Další symboly/štítky na výrobku se týkají certifikačních požadavků pro určité obchodní trhy.

## Štítek na výrobku



NEBEZPEČÍ – Udržujte ruce a nohy z dosahu.

## Odpovědnost za výrobek

Jak uvádí zákon o odpovědnosti za výrobek, neneseme odpovědnost za žádnou škodu způsobenou našim výrobkem, pokud:

- byl výrobek nesprávně opraven.
- byl výrobek opraven pomocí součástí od jiného výrobce nebo součástí, které nejsou výrobcem schváleny.
- má výrobek příslušenství od jiného výrobce nebo příslušenství, které není výrobcem schváleno.
- výrobek nebyl opraven ve schváleném servisním středisku nebo schváleným odborníkem.

## Bezpečnost

### Definice týkající se bezpečnosti

Varování, upozornění a poznámky slouží jako upozornění na specifické důležité části návodu.



**VÝSTRAHA:** Používá se v případě nebezpečí úrazu nebo usmrcení obsluhy nebo okolních osob, pokud nejsou dodrženy pokyny uvedené v této příručce.



**VAROVÁNÍ:** Používá se v případě nebezpečí poškození výrobku, dalších materiálů či škod na majetku v blízkém okolí, pokud nejsou dodrženy pokyny uvedené v této příručce.

**Povšimněte si:** Používá se k poskytnutí dalších informací, které jsou nezbytné v dané situaci.

## Obecná bezpečnostní upozornění k výrobku



**VÝSTRAHA:** Prohlédněte si všechny bezpečnostní pokyny, pokyny, ilustrace a technické údaje dodané s tímto výrobkem. Při nedodržení některého z pokynů uvedených níže může dojít k úrazu elektrickým proudem, požáru nebo vážnému poranění.

Uložte si veškerá upozornění a pokyny pro použití v budoucnu. Termín „výrobek“ v upozorněních označuje přístroj napájený ze sítě (kabelem) nebo napájený baterií (bezdrátový).

### Bezpečnost pracovního prostoru

- **Udržujte pracovní prostor čistý a dobře osvětlený.** Přeplněné či tmavé prostory nahrávají nehodám.
- **Nepoužívejte produkt ve výbušném prostředí, například v přítomnosti hořlavých kapalin, plynů či prachu.** Výrobek vytváří jiskry, které mohou zapálit prach nebo výpary.
- **Při práci s výrobkem musí být děti i okolostojící osoby v dostatečné vzdálenosti.** Rozptýlení může způsobit, že ztratíte kontrolu nad nástrojem.

### Bezpečnost při používání el. energie

- **Zástrčky výrobku musí odpovídat použité elektrické zásuvce. Zástrčku nikdy žádným způsobem neupravujte. U uzemněných výrobků nepoužívejte žádné adaptéry.** Původní zástrčky a odpovídající zásuvky snižují nebezpečí úrazu elektrickým proudem.
- **Zabraňte tělesnému kontaktu s uzemněnými povrchy, např. trubkami, radiátory, sporáky a chladničkami.** Pokud je lidské tělo uzemněno, hrozí větší nebezpečí úrazu el. proudem.
- **Výrobek nevystavujte dešti ani vlhku.** Vniknutí vody do výrobku zvyšuje nebezpečí úrazu elektrickým proudem.
- **Nezacházejte hrubě s napájecím kabelem. Výrobek nikdy nenoste za kabel. Za kabel netahejte a výrobek neodpojujte od sítě taháním za kabel. Nevystavujte napájecí kabel působení tepla, oleje, nepoškodte ho ostrými hranami nebo pohyblivými částmi.** Poškozený nebo ohnutý kabel zvyšuje nebezpečí úrazu elektrickým proudem.

- **Při používání výrobku venku použijte prodlužovací kabel určený pro venkovní použití.** Použití kabelu určeného pro venkovní použití snižuje nebezpečí úrazu elektrickým proudem.
- **Pokud je nezbytné pracovat s výrobkem ve vlhkém prostředí, použijte zdroj s proudovým chráničem.** Použití proudového chrániče snižuje nebezpečí úrazu elektrickým proudem.

### Osobní bezpečnost

- **Při práci s výrobkem dávejte pozor, sledujte, co děláte, a používejte zdravý rozum. Výrobek nepoužívejte, pokud jste unaveni nebo jste pod vlivem drog, alkoholu či léků.** Při práci s výrobkem stačí okamžitá nepozornost a následkem může být vážný úraz.
- **Používejte osobní ochranné pomůcky. Vždy používejte ochranu zraku.** Ochranné vybavení, např. protiprachová maska, nekouzavá ochranná obuv, přilba nebo ochrana sluchu, použité správným způsobem snižují nebezpečí úrazu.
- **Zabraňte náhodnému spuštění. Před připojením ke zdroji napájení nebo vložením baterií, zvednutím nebo přenášením výrobku se přesvědčte, že je vypínač v poloze vypnuto.** Přenášení výrobku s prstem na spínači nebo připojování výrobku se zapnutým spínačem ke zdroji napětí zvyšuje riziko nehody.
- **Před zapnutím výrobku odstraňte jakékoliv seřizovací nebo dotahovací klíče.** Klíč ponechaný na rotující části výrobku může způsobit úraz.
- **Nenatahujte se příliš daleko. Neustále pevně stůjte a držte rovnováhu.** Budete tak mít lepší kontrolu nad výrobkem v neočekávaných situacích.
- **Noste vhodný oděv. Nenoste volné oblečení ani šperky. Udržujte vlasy a oděv mimo dosah pohyblivých částí.** Pohyblivé části mohou zachytit volný oděv, šperky nebo dlouhé vlasy.
- **Pokud jsou zařízení přizpůsobena pro připojení odsávačů a lapačů prachu, musí být připojena a správně použita.** Použitím lapačů prachu snižujete rizika spojená s výskytem prachu.
- **Nedovoľte, aby rutina nabytá častým používáním výrobku způsobila, že začnete být neopatrní a budete ignorovat bezpečnostní zásady při zacházení s výrobkem.** Neopatrný úkon může způsobit vážné zranění ve zlomku sekundy.

### Použití výrobku a péče o výrobek

- **Výrobek nepřetěžujte. Používejte výrobek, který je pro danou aplikaci určený.** Takový výrobek vykoná práci lépe, bezpečněji a rychleji, pro kterou byl navržen.
- **Výrobek nepoužívejte, pokud nefunguje přepínač pro zapnutí a vypnutí.** Každý výrobek, který nelze ovládat přepínačem, je nebezpečný a musí být opraven.
- **Před jakýmkoli nastavováním, výměnou příslušenství nebo uložením elektrického nástroje odpojte zástrčku od napájení nebo z výrobku**

**vytáhněte baterie, pokud je to možné.** Taková preventivní bezpečnostní opatření snižují riziko náhodného spuštění výrobku.

- **Nepoužívejte výrobek ukládejte mimo dosah dětí a nedovolte, aby s ním pracovaly osoby, které ho dobře neznají nebo si nepřečetly tento návod k použití.** Výrobky jsou v rukou neproškolených uživatelů nebezpečné.
- **Provádějte údržbu výrobku a příslušenství. Kontrolujte chybné zarovnaní nebo spojené pohyblivých částí, poškození jakýchkoliv částí nebo jiné stavy, které mohou ovlivnit provoz výrobku. Pokud je výrobek poškozen, nechte ho před použitím opravit.** Mnohé nehody jsou způsobeny špatnou údržbou výrobků.
- **Udržujte řezací nástroje ostré a čisté.** Správně udržované řezací nástroje s ostrým ostřím jsou méně náchylné k „zakousnutí“ a snadněji se ovládají.
- **Používejte výrobek, příslušenství a další části podle těchto pokynů.** V úvahu je třeba brát pracovní podmínky a prováděnou práci. Použití výrobku k jinému účelu, než pro který je určen, může mít za následek vznik nebezpečné situace.
- **Rukojeti a uchopovací plochy udržujte suché, čisté a bez zbytků oleje a maziva.** Kluzké rukojeti a uchopovací plochy neumožňují bezpečné ovládání a v neočekávaných situacích může dojít ke ztrátě kontroly.

## Servis

- **Servis výrobku smí provádět pouze kvalifikovaná osoba za použití identických náhradních součástek.** To zajistí udržení bezpečnosti výrobku.
- **Nikdy neprovádějte servis poškozených baterií.** Servis baterií smí provádět pouze výrobce nebo autorizovaný servis.

## Použití nástrojů napájených z baterie a péče o ně

- **Baterii dobíjete pouze nabíječkou specifikovanou výrobcem.** Použití nabíječky vhodné pro jeden typ baterie může pro jiný typ baterie představovat nebezpečí vzniku požáru.
- **Výrobky používejte pouze s příslušnými speciálními bateriovými moduly.** Při použití jakékoli jiné baterie hrozí riziko úrazu a požáru.
- **Když baterii nepoužíváte, udržujte ji stranou od kovových předmětů, např. kancelářských sponek, mincí, klíčů, hřebíků, šroubů nebo jiných malých kovových předmětů, které by mohly spojit kontakty baterie.** Při zkratování kontaktů baterie může dojít k popáleninám nebo k požáru.
- **V nevhodných podmínkách může dojít k vytečení kapaliny z baterie; vyvarujte se kontaktu s kapalinou. Pokud dojde k náhodnému kontaktu, opláchněte postižené místo vodou. Při zasažení očí kapalinou vyhledejte lékařskou pomoc.** Kapalina vyteklá

z baterie může způsobit podráždění nebo popáleniny.

- **Nepoužívejte poškozenou nebo upravenou baterii nebo výrobek.** Poškozené nebo upravené baterie mohou vykazovat neočekávané chování vedoucí k požáru, výbuchu nebo nebezpečí poranění.
- **Neuvystavuje baterii ani nástroj ohni a nadměrným teplotám.** Vystavení ohni a teplotám nad 130 °C / 265°F může způsobit explozi.
- **Dodržujte veškeré pokyny k nabíjení a nenabíjete baterii ani nástroj mimo rozsah teplot uvedený v pokynech.** Nesprávné nabíjení nebo nabíjení při teplotách mimo uvedený rozsah může mít za následek poškození baterie a zvýšené nebezpečí požáru.

## Bezpečnostní upozornění pro sekačku

- **Sekačku nepoužívejte při špatném počasí, zvlášť pokud hrozí riziko blesku.** Snižíte tak riziko zasažení bleskem.
- **Důkladně zkontrolujte, zda se v prostoru, kde chcete sekačku používat, nenachází žádná zvířata.** Během provozu sekačky může dojít ke zranění divoké zvěře.
- **Důkladně zkontrolujte prostor, kde chcete sekačku používat, a odstraňte kameny, klacky, dráty, kosti a další předměty.** Odmrštěné předměty mohou způsobit zranění.
- **Před použitím sekačky vždy vizuálně zkontrolujte, zda nejsou nůž a sestava nože opotřebené nebo poškozené.** Opotřebené nebo poškozené součásti zvyšují riziko poranění.
- **Před použitím zkontrolujte, zda nejsou poškozené nebo zpuchřelé přívodní a prodlužovací kabely. Sekačku nepoužívejte s poškozenými nebo opotřebenými kabely. Pokud dojde k poškození nebo opotřebení kabelu během používání, vypněte sekačku a nedotýkejte se kabeláže před odpojením od zdroje napájení.** Během používání poškozeného přívodního nebo prodlužovacího kabelu může dojít k úrazu elektrickým proudem, požáru nebo vážnému poranění.
- **Často kontrolujte, zda není koš na trávu opotřebený nebo poškozený.** Opotřebený nebo poškozený koš na trávu může zvýšit riziko úrazu.
- **Ochranné kryty stroje musí být vždy připevněny. Ochranné kryty musí být v pořádku a správně připevněny.** Pokud je ochranný kryt uvolněný, poškozený nebo nefunguje správně, může dojít ke zranění.
- **Všechny větrací otvory udržujte čisté.** Ucpané větrací otvory mohou způsobit přehřátí nebo požár.
- **Při manipulaci se sekačkou noste vždy ochrannou protiskluzovou obuv. Sekačku neprovazujte naboso nebo v otevřených sandálech.** Tím snížíte riziko poranění nohou při kontaktu s pohyblivým se nožem.
- **Při sečení vždy noste dlouhé kalhoty.** Odhalená pokožka zvyšuje riziko zranění odletujícími předměty.

- **Sekačkou nesekejte mokrou trávu. Stroj používejte za chůze, nikdy za běhu.** Snížíte tak riziko uklouznutí, pádu a možného úrazu.
- **Nepoužívejte sekačku na příliš strmých svazích.** Snížíte tak riziko ztráty kontroly, uklouznutí, pádu a možného úrazu.
- **Při práci na svazích dbejte na to, abyste stáli pevně, pohybovali se napříč svahem a nikdy ne do kopce nebo z kopce. Dbejte zvýšené opatrnosti při změně směru.** Snížíte tak riziko ztráty kontroly, uklouznutí, pádu a možného úrazu.
- **Při couvání nebo přitahování sekačky k sobě buďte zvláště opatrní. Vždy dávejte pozor na své okolí.** Tím snížíte riziko zakopnutí během provozu.
- **Přívodní kabel udržujte z dosahu nožů.** Během používání poškozeného přívodního kabelu může dojít k úrazu elektrickým proudem, požáru nebo vážnému poranění.
- **V případě zamatání nebo poškození kabelu přístroj vypněte a odpojte zástrčku ze zásuvky.** Zamatané nebo poškozené kabely zvyšují nebezpečí úrazu elektrickým proudem.
- **Nedotýkejte se nožů ani jiných pohyblivých nebezpečných součástí, dokud se nezastaví.** Tím snížíte riziko poranění pohyblivými součástmi.
- **Před odstraněním uvízlého materiálu nebo čištěním sekačky se ujistěte, že je vše vypnuto a napájecí kabel je odpojen.** Nečekané spuštění sekačky může způsobit vážné zranění.

## Proudový chránič

- Používejte zásuvku chráněnou proudovým chráničem s vypínacím proudem nepřesahujícím 30 mA.

## Obecné bezpečnostní pokyny



**VÝSTRAHA:** Před použitím výrobku si přečtete následující varování.

- Tento výrobek je nebezpečný, nepoužívá-li se správně nebo není-li věnována provozu řádná pozornost. Nedodržení bezpečnostních pokynů může vést ke zranění nebo usmrcení.
- Tento výrobek vytváří během provozu elektromagnetické pole. Toto pole může za určitých okolností narušovat funkci aktivních či pasivních implantovaných lékařských přístrojů. Za účelem snížení rizika možného zranění nebo smrtelného úrazu doporučujeme osobám s implantovanými lékařskými přístroji poradit se před použitím výrobku s lékařem a s výrobcem implantovaného lékařského přístroje.
- Buďte stále opatrní a používejte zdravý rozum. Nestejte-li si jisti, jak ovládat výrobek ve zvláštních situacích, vypněte jej a promluvte si s prodejcem Husqvarna, než budete pokračovat v práci.
- Mějte na paměti, že obsluha je odpovědná za nehody a škody vzniklé jiným osobám nebo na jejich majetku.
- Udržujte výrobek čistý. Ujistěte se, že jsou značky a štítky dobře čitelné.
- Nikdy nedovolte dětem nebo osobám, které se neseznámily s těmito pokyny, aby zařízení používaly. Věk obsluhy může být omezen místními předpisy.
- Vždy sledujte osoby s fyzickým nebo mentálním postižením při práci s výrobkem. Vždy musí být přítomna zodpovědná dospělá osoba.
- Nepoužívejte výrobek, jste-li unavení, nemocní nebo pod vlivem alkoholu, drog nebo léků. To by mohlo ovlivnit váš zrak, ostražitost, koordinaci a úsudek.
- Nepoužívejte výrobek, pokud je vadný.
- Nikdy neupravujte výrobek a nepoužívejte jej, pokud je možné, že jej upravil někdo jiný.
- Tento výrobek používejte výhradně k sečení trávy. Není dovoleno používat výrobek k jiným činnostem.
- Používejte osobní ochranné pomůcky. Další informace jsou uvedeny v části *Osobní ochranné prostředky na straně 60*.
- Ujistěte se, že víte, jak v případě nouze rychle zastavit motor.
- Neprovozujte výrobek v dešti a vlhku. Nebezpečí úrazu elektrickým proudem se zvyšuje, přijde-li výrobek do styku s vodou.
- Neprovozujte výrobek, pokud není správně namontovaný nůž a všechny kryty. V opačném případě by se mohl nůž uvolnit a způsobit zranění osob.
- Zajistěte, aby nůž nenarazil do předmětů, jako jsou kameny a kořeny. Mohlo by dojít k poškození nože a ohnutí hřídele motoru. Ohnutý hřídel způsobuje velké vibrace a hrozí velmi vysoké riziko uvolnění nože.
- Pokud nůž narazí do nějakého předmětu nebo se objeví vibrace, okamžitě zastavte výrobek. Zastavte motor, otočte bezpečnostní klíček do polohy 0 a vyjměte baterii. Vyčkejte na zastavení pohyblivých součástí. Zkontrolujte, zda není výrobek poškozený. Povolené díly dotáhněte. Opravte závady a vyměňte poškozené díly. Opravy by měl provést schválený servis.
- Po nastartování motoru nikdy nepřipevňujte rukojeť brzdý motoru trvale k rukojeti sekačky.
- Umístěte výrobek na stabilní, rovný povrch a nastartujte jej. Zkontrolujte, zda nůž nemůže přijít do kontaktu se zemí nebo cizími objekty.
- Při provozu vždy stůjte za výrobkem.

## Bezpečnost práce



**VÝSTRAHA:** Před použitím výrobku si přečtete následující varování.

- Při provozu nechte všechna kola spočívat na zemi a držte rukojeť oběma rukama. Ruce a nohy udržujte mimo dosah rotujících břitů.
- Výrobek nenaklánějte při spuštění motoru nebo během provozu.
- Buďte opatrní při tažení výrobku dozadu.
- Nikdy výrobek nezvedejte, když je spuštěný motor. Pokud musíte výrobek zvednout, nejprve vypněte motor, otočte bezpečnostní klíček do polohy 0 a vyjměte baterii.
- Při provozování výrobku nechoďte směrem dozadu.
- Vypněte motor, pokud je nutné výrobek naklonit kvůli přepravě nebo před přejezdem ploch bez trávy, jako jsou cesty ze štěrku, kamenů nebo asfaltu.
- Neběhejte s výrobkem, když je spuštěný motor. Při provozu výrobku vždy pouze chodte.
- Před změnou výšky sečení vypněte motor. Nikdy neupravujte nastavení při spuštěném motoru.
- Nikdy nenechte výrobek se spuštěným motorem bez dozoru. Vypněte motor a ujistěte se, že se žací ústrojí neotáčí.
- Vibrace spuštěného výrobku se mohou lišit od hodnoty uvedené v části *Technické údaje na strani 74*. Rozdíl způsobují různá použití výrobku. Pokud výrobek provozujete často nebo po delší časové intervaly, dělejte pravidelné přestávky, abyste předešli zraněním způsobeným vibracemi.

## Bezpečnostní pokyny pro provoz

### Osobní ochranné prostředky



**VÝSTRAHA:** Před použitím výrobku si přečtěte následující varování.

- Osobní ochranné prostředky nemohou zcela eliminovat nebezpečí úrazu, ale v případě nehody pomáhají snížit míru poranění. Požádejte prodejce, aby vám pomohl vybrat správné vybavení.
- Používejte odolnou obuv s protiskluzovou podrážkou. Nepoužívejte otevřenou obuv ani nepracujte naboso.
- Používejte silné, dlouhé kalhoty.
- Při určitých činnostech používejte ochranné rukavice, například při nasazování, prohlídce nebo čištění žacího ústrojí.
- Doporučujeme používat ochranu sluchu.

### Bezpečnostní zařízení na produktu



**VÝSTRAHA:** Před použitím výrobku si přečtěte následující varování.

- Nepoužívejte výrobek, jehož bezpečnostní zařízení jsou vadná!
- Neodstraňujte ani neupravujte bezpečnostní zařízení.

- Pravidelně kontrolujte bezpečnostní zařízení. Pokud je zařízení vadné, obraťte se na servis Husqvarna.

### Kontrola krytu žacího ústrojí

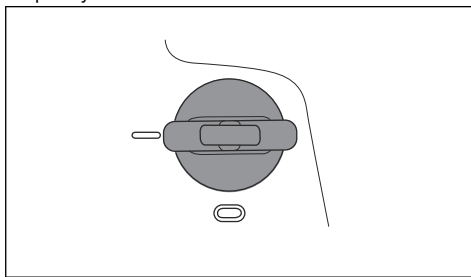
Kryt žacího ústrojí snižuje vibrace výrobku a snižuje nebezpečí poranění nožem.

- Zkontrolujte kryt žacího ústrojí, aby bylo zajištěno, že nevykazuje známky poškození, např. praskliny.

### Kontrola bezpečnostního klíčku

Bezpečnostní klíček se nachází pod víkem baterie. Bezpečnostní klíček připojuje baterii, která slouží jako napájecí zdroj motoru.

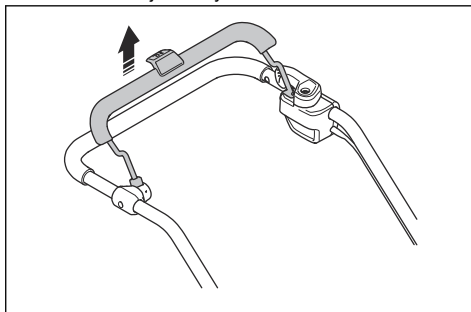
- Kontrolu funkce bezpečnostního klíčku provedete spuštěním a vypnutím motoru.
- V případě správné funkce bezpečnostního klíčku se motor spustí, pouze když je klíček otočený do polohy 1.



### Kontrola rukojeti brzdy motoru

Rukojeť brzdy motoru slouží k zastavení motoru. Když uvolníte rukojeť brzdy motoru, motor se zastaví.

- Nastartujte výrobek. Další informace jsou uvedeny v části *Provoz na strani 63*.
- Uvolněte rukojeť brzdy motoru.



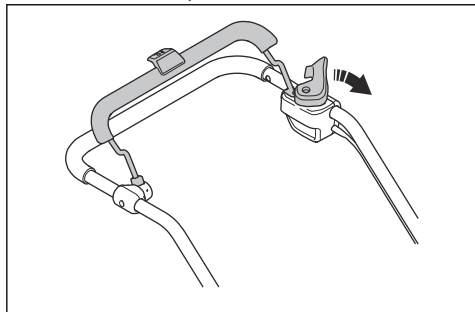
- Ujistěte se, že se výrobek zastavil. Pokud se motor nevypne během 3 sekund, požádejte schváleného servisního pracovníka Husqvarna o seřízení brzdy motoru.



## Kontrola inhibitoru spuštění

Proveďte kontrolu inhibitoru spuštění a ujistěte se, že brání provozu motoru.

1. Zatlačte rukojeť brzdý motoru směrem k řídkům. Inhibitor spuštění přeruší pohyb.
2. Zatlačte inhibitor spuštění směrem ven.



3. Uvolněte inhibitor spuštění a ujistěte se, že se vrátí do své výchozí polohy.

## Bezpečnostní pokyny týkající se akumulátorů



**VÝSTRAHA:** Před použitím výrobku si přečtěte následující varování.

- Dobíjecí baterie Husqvarna používejte jako zdroj napájení pouze pro související produkty Husqvarna. Abyste zabránili zranění, nepoužívejte baterii jako zdroj napájení pro jiná zařízení.
- Nepoužívejte baterie, které nejsou určené k dobíjení.
- Nebezpečí úrazu elektrickým proudem. Vývody baterie nepřipojujte ke klíčům, mincím, šroubkům nebo jiným kovům. Může to způsobit zkrat akumulátoru.
- Nevkládejte do větracích otvorů baterie žádné předměty.
- Chraňte baterii před sluncem, teplem nebo otevřeným ohněm. Baterie může explodovat a způsobit popáleniny a/nebo chemické popáleniny.
- Chraňte baterii před deštěm a vlhkým prostředím.
- Chraňte baterii před mikrovlnami a vysokým tlakem.
- Baterii nikdy nerozebírejte nebo nerozbíjejte.
- Pokud baterie netěsní, kapalina nesmí přijít do styku s kůží a očima. Po styku s kapalinou omyjte zasaženou oblast velkým množstvím vody a získejte lékařskou pomoc.
- Baterii ve výrobku používejte pouze při okolních teplotách v rozsahu 5 až 40 °C.
- Nabíječku baterií používejte pouze při okolních teplotách v rozsahu 5 a 40 °C.
- Baterie se nebude nabíjet, pokud je její teplota vyšší než 50 °C.

- Baterii ani nabíječku baterií nečistěte vodou. Další informace jsou uvedeny v části *Čištění baterie nebo nabíječky baterií na strani 70*.
- Nepoužívejte vadnou nebo poškozenou baterii.
- Baterie uchovávejte mimo dosah kovových předmětů, jako jsou např. hřebíky, mince nebo šperky.

## Bezpečnostní pokyny pro nabíječku baterií



**VÝSTRAHA:** Před použitím výrobku si přečtěte následující varování.

- Nabíječku baterií QC používejte pouze pro nabíjení náhradních baterií Husqvarna.
- Hrozí nebezpečí zkratu a úrazu elektrickým proudem. Nevkládejte do větracích otvorů nabíječky žádné předměty. Nabíječku baterií nerozebírejte. Nepřipojujte nabíjecí vývody ke kovovým předmětům. Používejte schválenou elektrickou zásuvku.
- Tento výrobek vytváří během provozu elektromagnetické pole. Toto pole může za určitých okolností narušovat funkci aktivních či pasivních implantovaných lékařských přístrojů. Za účelem snížení rizika možného zranění nebo smrtelného úrazu doporučujeme osobám s implantovanými lékařskými přístroji poradit se před použitím výrobku s lékařem a s výrobcem implantovaného lékařského přístroje.
- Pravidelně kontrolujte, zda není napájecí kabel poškozený a nejsou na něm praskliny.
- Nabíječku nezvedejte pomocí napájecího kabelu. Když nabíječku baterií odpojujete z elektrické zásuvky, tahejte za zástrčku. Netahejte za napájecí kabel.
- Uchovávejte napájecí kabel a prodlužovací šňůry mimo dosah vody, oleje a ostrých okrajů. Dejte pozor, aby nebyl kabel přivřen ve dveřích, nezachytil se za plot a podobně. Mohlo by dojít k probíjení nabíječky.
- Nabíječku baterií nečistěte vodou.
- Nabíječku baterií smí používat děti od 8 let a osoby se sníženými fyzickými, smyslovými nebo duševními schopnostmi nebo nedostatečnými zkušenostmi či znalostmi pod dozorem odpovědné osoby, nebo pokud jim taková osoba poskytne pokyny, které zajistí, že budou nabíječku používat bezpečným způsobem. Děti si s nabíječkou nesmí hrát. Čištění a údržbu nesmí provádět děti bez dozoru.
- V nabíječce nenabíjejte baterie, které nejsou určeny k opětovnému dobíjení.
- Nabíječku nepoužívejte v blízkosti hořlavých nebo korozivních materiálů. Nabíječku baterií nezakrývejte. V případě, že zaznamenáte kouř nebo požár, vytáhněte zástrčku kabelu nabíječky baterií ze zásuvky.
- Nepoužívejte vadnou nebo poškozenou nabíječku.

- Baterii nabíjejte pouze uvnitř, a to v dobře odvětrané místnosti a mimo dosah slunečních paprsků. Nenabíjejte baterii ve vlhkém prostředí.

## Bezpečnostní pokyny pro údržbu



**VÝSTRAHA:** Před použitím výrobku si přečtěte následující varování.

- Neúmyslnému spuštění během údržby můžete zabránit tím, že otočíte bezpečnostní klíček do polohy 0 a vyjmete baterii. Před započatím údržby vyčkejte minimálně 5 sekund.
- Provádějte pouze údržbu uvedenou v tomto návodu k používání. Rozsáhlejší zásahy a profesionální opravy musí provést schválený servisní pracovník. Pro další informace se obraťte na nejbližšího servisního pracovníka.
- Správným provedením údržby zvýšíte životnost výrobku a snížíte nebezpečí nehod.

- Poškozené, opotřebené či prasklé součásti vyměňte. Vždy používejte originální náhradní díly od výrobce. Jiné náhradní díly mohou výrobek poškodit a zvýšit riziko nehod.
- Abyste zabránili zranění, neodstraňujte ani neupravujte bezpečnostní zařízení.
- Při manipulaci s žacími ústrojími používejte silné rukavice. Nůž je velmi ostrý a může snadno dojít k pořezání.
- Pro dosažení nejlepšího výsledku a bezpečnosti zajistěte, aby byla ostří nože čistá a ostrá.
- Zajistěte pravidelné kontroly a provádění potřebného seřízení a oprav výrobku u servisního pracovníka.
- Dodržujte pokyny pro výměnu příslušenství. Používejte výhradně příslušenství od výrobce.
- Pokud není výrobek, baterie a nabíječka baterií právě v provozu, uchovávejte je samostatně v suchém, vnitřním a uzamčeném prostoru. Zajistěte, aby k výrobku, baterií či nabíječce baterií neměly přístup děti ani nepovolané osoby.

## Montáž

### Úvod

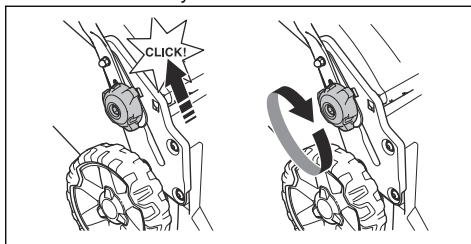


**VÝSTRAHA:** Před montáží produktu si přečtěte kapitolu bezpečnosti.



**VÝSTRAHA:** Neúmyslnému spuštění během montáže můžete zabránit tím, že otočíte bezpečnostní klíček do polohy 0, vyjmete baterii a počkáte alespoň 5 sekund.

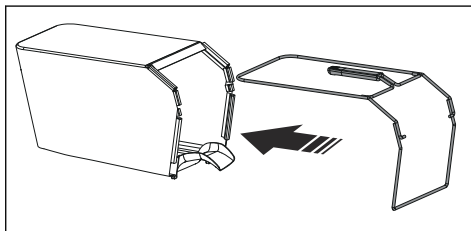
4. Posuňte knoflíky směrem k rukojeti, dokud se nezastaví a neuslyšíte cvaknutí.



5. Knoflíky řádně utáhněte.

### Montáž koše na trávu

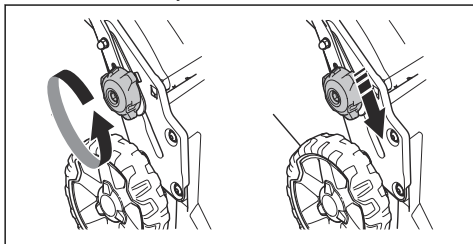
1. Vložte rám do koše na trávu tak, aby pevná část koše směřovala dolů. Dbejte na to, aby bylo madlo rámu na venkovní straně koše.



2. Nasaďte spodní část rámu do drážky na spodní straně koše na trávu.

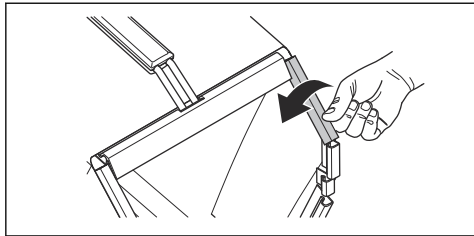
### Nastavení rukojeti

1. Povolte spodní matice.
2. Posuňte knoflíky na spodní konec drážek na pravé i na levé straně výrobku.

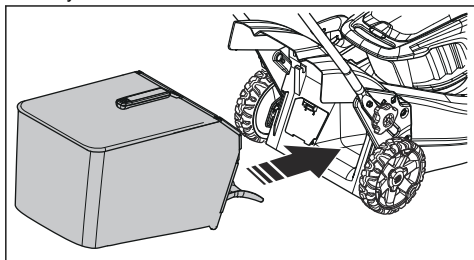


3. Nastavte výšku rukojeti do jedné ze 2 dostupných poloh.

3. Připevněte koš na trávu k rámu pomocí svorek.

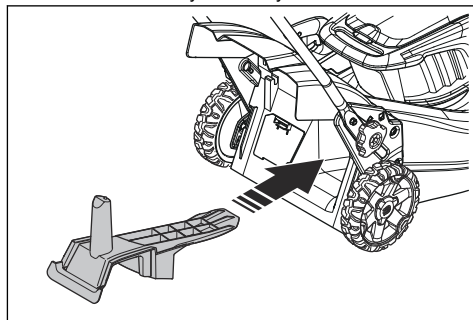


4. Zvedněte zadní kryt.
5. Upevněte sběrací koš k hornímu okraji podvozku.
6. Umístěte dolní část koše na trávu do kanálu výhozu trávy.



## Montáž mulčovací vložky (příslušenství)

1. Zvedněte zadní kryt a vyjměte koš na trávu.
2. Vložte do kanálu výhozu trávy mulčovací vložku.



3. Nahradte nůž mulčovacím nožem dodaným s mulčovací sadou. Další informace naleznete v části *Postup výměny nože* na strani 70.

## Provoz

### Úvod



**VÝSTRAHA:** Před používáním produktu je třeba, abyste si přečetli a porozuměli kapitole o bezpečnosti.

### Husqvarna Connect

Husqvarna Connect je bezplatná aplikace pro mobilní zařízení. Aplikace Husqvarna Connect dodá vašemu výrobku Husqvarna doplňkové funkce:

- Rozšířené informace o výrobku.
- Informace o dílech a servisu a nápověda pro tyto položky.

### Jak začít používat aplikaci Husqvarna Connect

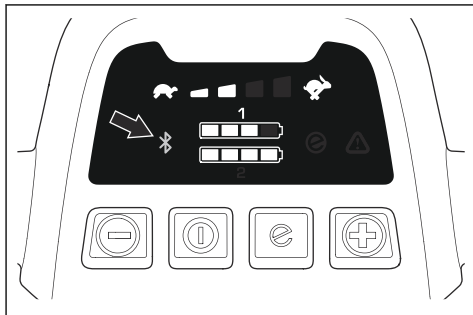
1. Stáhněte si aplikaci Husqvarna Connect do svého mobilního zařízení.
2. V aplikaci Husqvarna Connect se zaregistrujte.
3. Při připojování a registraci výrobku postupujte podle pokynů v aplikaci Husqvarna Connect.

**Povšimněte si:** Aplikace Husqvarna Connect není dostupná ke stažení na všech trzích. Další informace získáte u svého prodejce poskytujícího servis.

### Informace Bluetooth® (LC 347iVX, LC 353iVX)

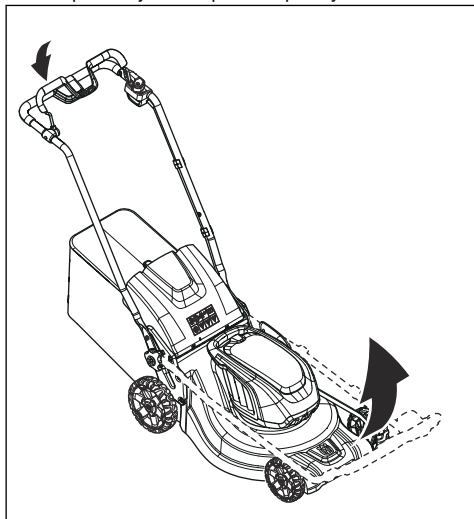
#### Bezdrátová technologie Bluetooth®

Symbol bezdrátové technologie *Bluetooth®* se rozsvítí, když je vaše mobilní zařízení připojeno k výrobku.

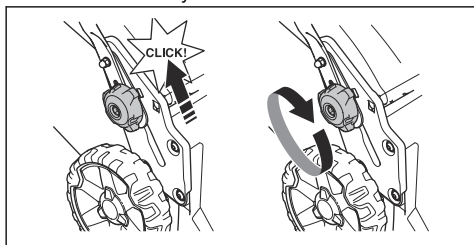


## Nastavení výrobku do provozní polohy

1. Sklopte rukojeť do vzpřímené polohy.



2. Posuňte knoflíky směrem k rukojeti, dokud se nezastaví a neuslyšíte cvaknutí.



3. Knoflíky řádně utáhněte.



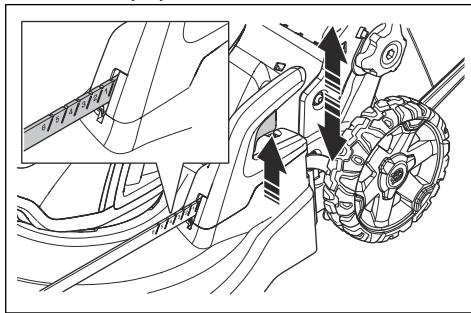
**VÝSTRAHA:** Nepoužívejte výrobek, pokud nejsou říditka zcela vyklopena a nastavena do jedné z příslušných provozních poloh nastavení výšky. Další informace naleznete v části *Nastavení rukojeti na strani 62*.

## Nastavení výšky sečení

Výšku sečení lze nastavit v 6 úrovních.

1. Chcete-li výšku sečení snížit, posuňte páku pro nastavení výšky sečení dolů.

2. Chcete-li výšku sečení zvýšit, posuňte páku pro nastavení výšky sečení nahoru.



**VAROVÁNÍ:** Nenastavujte výšku sečení příliš nízko. V případě, že není povrch trávníku rovný, mohou nože přijít do styku se zemí.

## Baterie



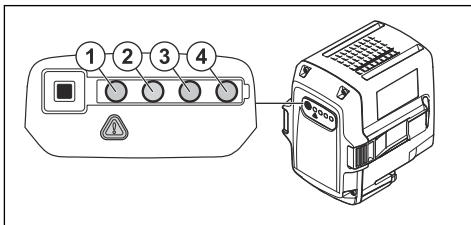
**VÝSTRAHA:** Před použitím baterie je třeba, abyste si přečetli a porozuměli kapitole o bezpečnosti. Rovněž je nezbytné, abyste si přečetli a pochopili návod k používání baterie a nabíječky baterií.

Baterii i nabíječku skladujte za správné okolní teploty.

	Okolní teplota
Provoz baterie	5 až 40 °C
Nabíjení baterie	5 až 40 °C

## Stav baterie

Displej ukazuje zbývající kapacitu baterie a zda došlo k problémům s baterií. Kapacita baterie se zobrazuje 5 sekund po vypnutí produktu nebo po stisku tlačítka ukazatele stavu baterie. Pokud dojde k chybě, rozsvítí se na baterii výstražný symbol. Viz *Baterie na strani 71*.



Kontrolky LED	Stav baterie
Všechny kontrolky LED svítí	Plné nabití (75–100 %).

Kontrolky LED	Stav baterie
Svítil kontrolky LED 1, LED 2, LED 3.	Nabití baterie je 50–75 %.
Svítil kontrolky LED 1, LED 2.	Nabití baterie je 25–50 %.
Svítil kontrolka LED 1.	Baterie je nabitá na 0–20 %.
Bliká kontrolka LED 1.	Baterie je vybitá. Nabijte baterii.

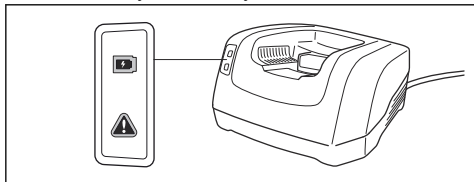
## Nabití baterie

Před prvním použitím baterii nabijte. Baterie je při dodání zákazníkovi nabitá pouze na 30 %.

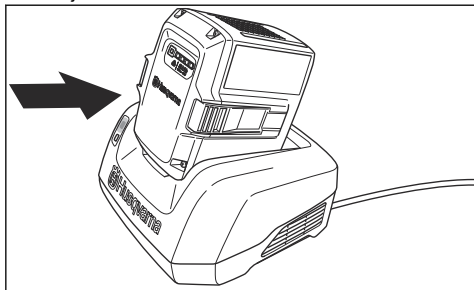
**Povšimněte si:** Nabíječka baterií musí být připojena ke zdroji o napětí a frekvenci uvedené na typovém štítku.

Pokud teplota baterie přesahuje 50 °C, baterie se nenabíjí. Před zahájením nabíjení zajistí nabíječka baterií snížení teploty baterie.

1. Připojte jeden konec napájecího kabelu nabíječky baterií do zásuvky na nabíječce baterií.
2. Připojte druhý konec napájecího kabelu nabíječky baterií do uzemněné elektrické zásuvky. Kontrolka LED na nabíječce baterií jednou zeleně blikne.



3. Vložte baterii do nabíječky baterií. Když je baterie správně připojena k nabíječce baterií, rozsvítí se na nabíječce zelené světlo.



4. Když svítí všechny kontrolky LED baterie, baterie je plně nabitá. Baterii nabíjejte maximálně po dobu 24 hodin.
5. Když nabíječku baterií odpojíte z elektrické zásuvky, tahejte za zástrčku, nikoliv za kabel.

6. Vyměňte baterii z nabíječky.

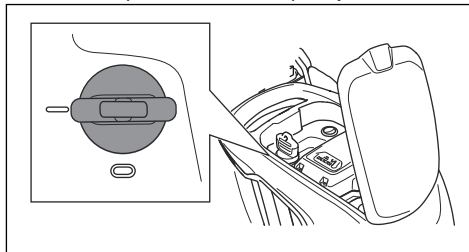
## Stav nabíjení baterie

Lithium-iontové baterie Husqvarna lze nabíjet i používat bez ohledu na jejich úroveň nabití. Baterie není poškozená. I když plně nabitou baterii ponecháte v nabíječce, nedojde k poklesu jejího nabití.

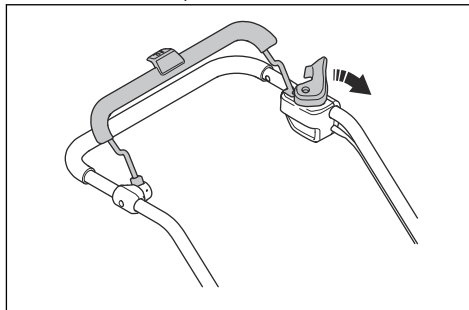
LED displej	Stav nabíjení
Bliká kontrolka LED 1.	0–25 %
Svítil kontrolka LED 1, bliká kontrolka LED 2.	25–50 %
Svítil kontrolky LED 1, LED 2, bliká kontrolka LED 3.	50–75 %
Svítil kontrolky LED 1, LED 2, LED 3, bliká kontrolka LED 4.	75–100 %
Svítil kontrolky LED 1, LED 2, LED 3, LED 4.	Plně nabitá

## Spuštění výrobku (LC 247i)

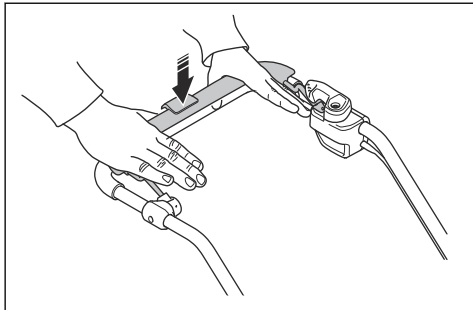
1. Otevřete víko baterie.
2. Vložte nabitou baterii do některého z držáků baterie. Pro dosažení delší doby provozu vložte druhou nabitou baterii do druhého držáku baterie.
3. Otočte bezpečnostní klíček do polohy 1.



4. Postavte se za výrobek.
5. Povolte inhibitor spuštění.

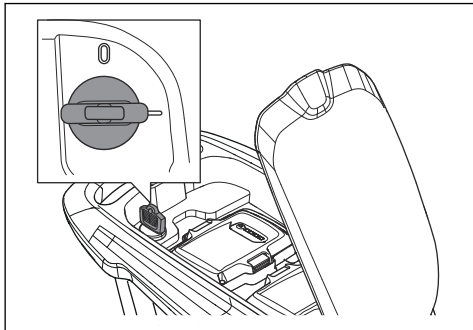


6. Zatlačte rukojeť brzdy motoru směrem k řídkům.

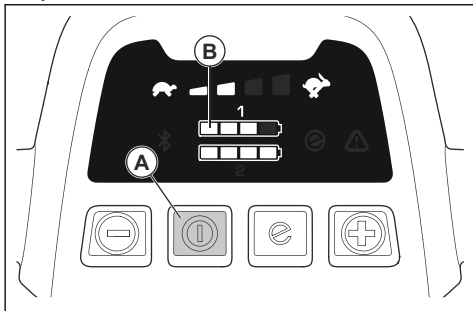


## Spuštění výrobku (LC 347iVX, LC 353iVX)

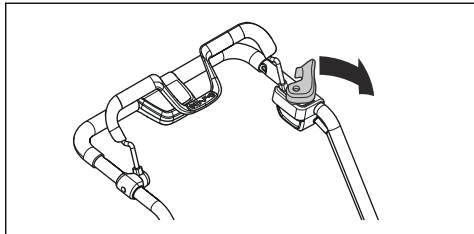
1. Otevřete víko baterie.
2. Vložte nabitou baterii do některého z držáků baterie. Pro dosažení delší doby provozu vložte druhou nabitou baterii do druhého držáku baterie.
3. Otočte bezpečnostní klíček do polohy 1.



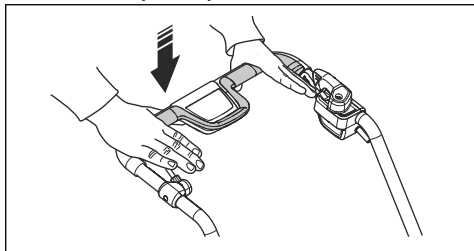
4. Postavte se za výrobek.
5. Stiskněte tlačítko ZAP/VYP (A) na ovládacím panelu. Rozsvítí se displej. Ukazatel stavu baterie (B) zobrazuje úroveň nabití obou baterií. Číslo baterie, která je používána k provozu, je zobrazeno vedle ukazatele stavu baterie. U modelů LC 347iVX, LC 353iVX se na displeji zobrazuje také nastavená rychlost.



6. Povolte inhibitor spuštění.

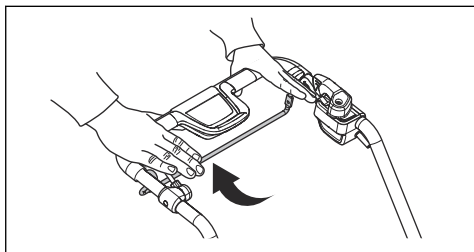


7. Zatlačte rukojeť brzdy motoru směrem k řídkům.

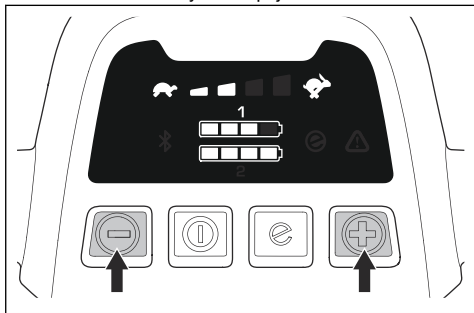


## Použití pohonu kol (LC 347iVX, LC 353iVX)

- Pojezd spustíte přitáhnutím páky pojezdu směrem k řídkům.



- Stisknutím tlačítek + a - na ovládacím panelu lze nastavit 4 úrovně rychlosti pojezdu.

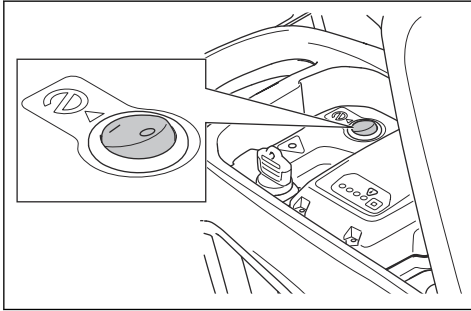


- V blízkosti překážek uvolněte páku pojezdu, aby se deaktivoval pohon.

## Použití funkce SavE™ (LC 247i)

Výrobek má funkci úspory energie v bateriích (SavE™), která prodlužuje dobu provozu.

- Funkci zapnete stisknutím tlačítka SavE™ do pozice 1.



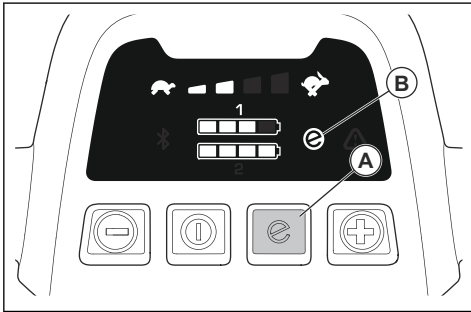
- Stisknutím tlačítka SavE™ do pozice 0 funkci vypnete.

**Povšimněte si:** Funkce SavE™ se vypne automaticky, pokud terénní podmínky vyžadují vyšší výkon. Jakmile to terénní podmínky dovolí, funkce SavE™ se automaticky znovu zapne.

## Použití funkce SavE™ (LC 347iVX, LC 353iVX)

Výrobek má funkci úspory energie v bateriích (SavE™), která prodlužuje dobu provozu.

1. Funkci zapnete stisknutím tlačítka SavE™ (A). Na displeji se rozsvítí symbol funkce SavE™ (B).
2. Opětovným stisknutím tlačítka SavE™ funkci vypnete. Symbol funkce SavE™ (B) na displeji zhasne.



**Povšimněte si:** Funkce SavE™ se vypne automaticky, pokud terénní podmínky vyžadují vyšší výkon. Jakmile to terénní podmínky dovolí, funkce SavE™ se automaticky znovu zapne.

## Funkce vysokého zatížení

Když výrobek seká dlouhou či mokrou travu, motor automaticky zvýší své otáčky. Když není režim vysokého zatížení potřeba, motor se vrátí do standardního režimu.

## Automatické restartování

Během provozu se může nůž a motor dočasně zastavit z důvodu překážek, jako je například nahromadění trávy pod krytem žacího ústrojí. Pokud v takovém případě ponecháte stisknutou rukojeť brzdy motoru, výrobek se automaticky pokusí restartovat. Pokud se výrobek do 5 sekund nerestartuje, bude zřejmě nutné vyčistit žací ústrojí. Další informace naleznete v části *Čištění výrobku na straně 69*.



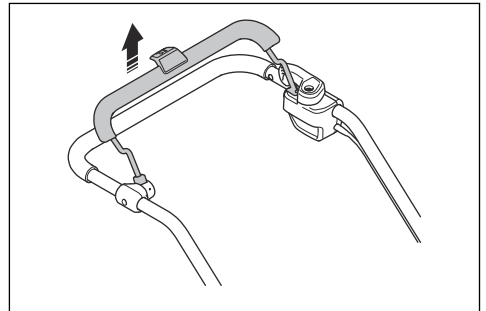
**VÝSTRAHA:** Před kontrolou stavu žacího ústrojí uvolněte rukojeť brzdy motoru, otočte bezpečnostní klíček do polohy 0, vyjměte baterii a počkejte minimálně 5 sekund. Pokud byste pouze odstranili překážku provozu, hrozí riziko poranění náhodným spuštěním výrobku.

## Zastavení výrobku (LC 247i)

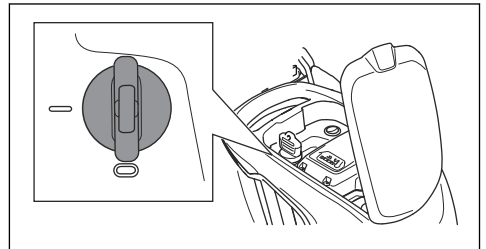


**VÝSTRAHA:** Než ponecháte výrobek bez dozoru, otočte bezpečnostní klíček do polohy 0.

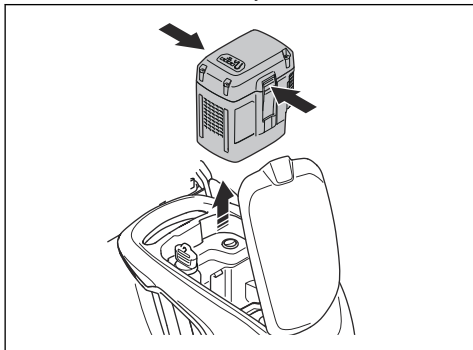
1. Zastavte motor uvolněním rukojeti brzdy motoru.



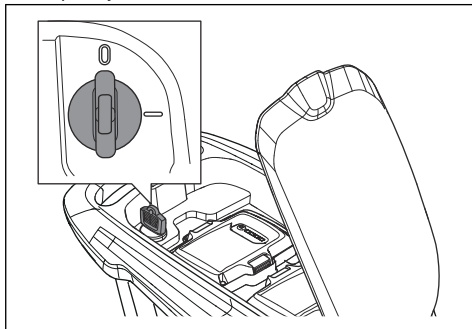
2. Otevřete víko baterie a otočte bezpečnostní klíček do polohy 0.



3. Chcete-li baterii vyjmout, stiskněte dvě tlačítka pro uvolnění baterie a baterii vytáhněte.



3. Otevřete víko baterie a otočte bezpečnostní klíček do polohy 0.



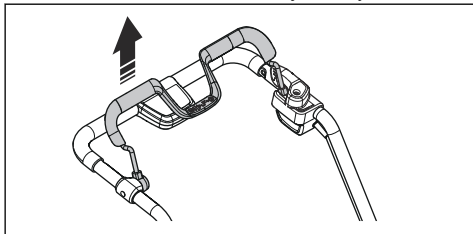
4. Pokud je baterie slabá, nabijte ji. Více informací je uvedeno v části *Nabití baterie na strani 65*.

## Zastavení výrobku (LC 347iVX, LC 353iVX)

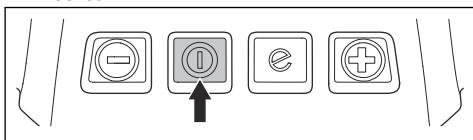


**VÝSTRAHA:** Než ponecháte výrobek bez dozoru, otočte bezpečnostní klíček do polohy 0.

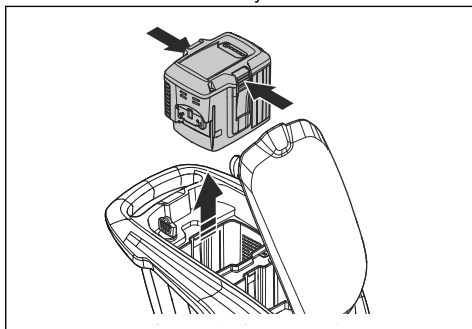
1. Zastavte motor uvolněním rukojeti brzdy motoru.



2. Stiskněte tlačítko ZAP/VYP na ovládacím panelu. Všechny kontrolky LED a symboly na displeji zhasnou.



4. Chcete-li baterii vyjmout, stiskněte dvě tlačítka pro uvolnění baterie a baterii vytáhněte.



5. Pokud je baterie slabá, nabijte ji. Více informací je uvedeno v části *Nabití baterie na strani 65*.

**Povšimněte si:** Výrobek se automaticky vypne, když s ním několik minut nepracujete. Znovu spusťte výrobek podle pokynů v části *Spuštění výrobku (LC 347iVX, LC 353iVX) na strani 66*.

## Jak docílit dobrých výsledků

- Používejte vždy ostrý nůž. Při použití tupého nože je stříh nepravidelný a posečený povrch trávy žlutne. Ostrý nůž také vyžaduje méně energie než tupý nůž.
- Nesekejte více než  $\frac{1}{3}$  výšky trávy. Nejprve sekejte se žacího ústrojím nastaveným vysoko. Zkontrolujte výsledek a případně snižte výšku sečení na požadovanou úroveň. Pokud je tráva velmi vysoká, jezděte pomalu a v případě potřeby sekejte 2krát.
- Sekejte vždy v jiném směru, aby na trávníku nevznikly pruhy.
- Udržujte kryt žacího ústrojí čistý. Nahromaděná tráva a nečistoty na vnitřní straně krytu žacího ústrojí mohou snížit výsledek sečení. Další informace jsou uvedeny v části *Čištění výrobku na strani 69*.



## Sekání trávy bez koše na trávu nebo mulčovací vložky

- Zvedněte zadní kryt a vyjměte koš na trávu.

- Pokud je namontována mulčovací vložka a mulčovací nůž, odstraňte je.
- Než začnete s výrobkem pracovat, zavřete zadní kryt.

Při práci s výrobkem bude posečená tráva vylétávat pod zadním krytem.

## Údržba

### Úvod



**VÝSTRAHA:** Před prováděním údržby je třeba, abyste si přečetli a porozuměli kapitole o bezpečnosti.

Pro servis a opravy výrobku je nezbytné speciální školení. Garantujeme dostupnost profesionálních oprav a servisu. Pokud neposkytuje prodejce servisní služby, požádejte jej o informace o nejbližším servisu.

Podrobnější informace jsou uvedeny v části [www.husqvarna.com](http://www.husqvarna.com).

### Plán údržby

Intervaly údržby se vy počítávají na základě každodenního používání výrobku. Intervaly se mění, není-li výrobek používán denně.

U údržby označené symbolem \* vyhledejte pokyny v části *Bezpečnost na strani 56*.

	Každé použití	Měsíčně	Každou sezónu
Proveďte běžnou kontrolu.	X		
Vyčistěte výrobek.	X		
Zkontrolujte inhibitor spuštění.*	X		
Zkontrolujte, zda nejsou vadná bezpečnostní zařízení výrobku.*	X		
Zkontrolujte žací ústrojí.	X		
Zkontrolujte kryt žacího ústrojí.*	X		
Zkontrolujte rukojeť brzdy motoru.*	X		
Zkontrolujte, že tlačítko ON/OFF (ZAP/VYP) funguje správně a není vadné.	X		
Zkontrolujte, zda není baterie poškozena.	X		
Zkontrolujte úroveň nabití baterie.	X		
Zkontrolujte, zda na baterii fungují tlačítka pro uvolnění baterie a zda drží baterii v produktu.	X		
Zkontrolujte, zda není nabíječka baterií poškozena a ujistěte se, že funguje správně.		X	
Zkontrolujte připojení mezi baterií a výrobkem. Rovněž zkontrolujte připojení mezi baterií a nabíječkou baterií.			X

### Provedení běžné kontroly

- Zajistěte, aby byly matice a šrouby na výrobku správně dotažené.
- Zkontrolujte, že kabely výrobku nejsou na místě, kde by mohlo dojít k jejich poškození.

### Čištění výrobku

- Plastové části čistěte čistou a suchou utěrkou.

- Nečistěte výrobek vodou. Voda může proniknout do baterie nebo motoru a způsobit zkrat nebo poškození výrobku.
- K čištění výrobku nepoužívejte vodu pod vysokým tlakem.
- Motor nesmí být přímo oplachován vodou.
- Pomocí kartáče odstraňte listí, trávu a nečistoty.

## Čištění baterie nebo nabíječky baterií



**VÝSTRAHA:** Baterii ani nabíječku baterií nečistěte vodou.

- Než vložíte baterii do nabíječky, zkontrolujte, zda jsou baterie a nabíječka baterie čisté a suché.
- Očistěte kontakty baterie stlačeným vzduchem nebo použijte měkkou a suchou utěrku.
- Očistěte povrch baterie a nabíječku baterie měkkou a suchou utěrkou.

## Kontrola žacího ústrojí



**VÝSTRAHA:** Neúmyslnému spuštění můžete zabránit tak, že otočíte bezpečnostní klíček do polohy 0, vyjmete baterii a počkáte alespoň 5 sekund.



**VÝSTRAHA:** Při provádění údržby žacího ústrojí používejte ochranné rukavice. Nůž je velmi ostrý a může snadno dojít k pořezání.

1. Zkontrolujte žací ústrojí ohledně poškození a prasklin. Poškozené žací ústrojí vždy vyměňte.
2. Prohlédněte nůž a zkontrolujte, zda není poškozený nebo tupý.

**Povšimněte si:** Po ostření je nezbytné nůž vyvážit. Výměnu, ostření a vyvážení nože svěřte servisnímu středisku. Dojde-li k nárazu do překážky, po kterém dochází k vypínání výrobku, vyměňte poškozený nůž. O tom, zda je možné nůž nabrousit či zda je nutné ho vyměnit, rozhodne servisní středisko.

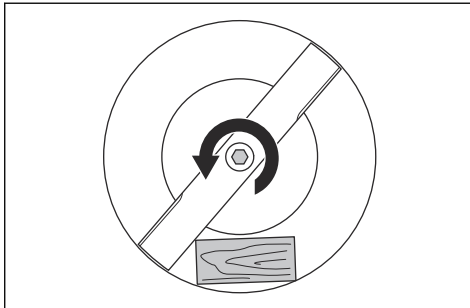
## Postup výměny nože

Informace o správném typu nože naleznete v části *Technické údaje na strani 74*.

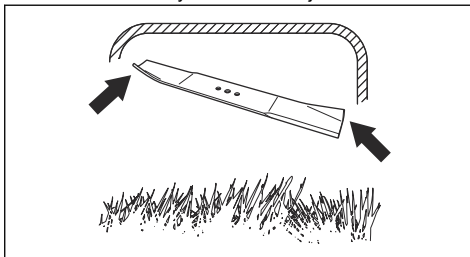


**VÝSTRAHA:** Nůž zajistěte dřevěným špalíkem, abyste při výměně zabránili zranění prstů. Při vypnutém motoru lze nožem pohybovat a hrozí nebezpečí zachycení prstů mezi nožem a nepohyblivými součástmi.

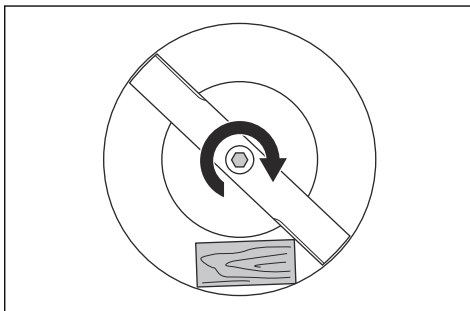
1. Zajistěte nůž pomocí dřevěného špalíku.



2. Demontujte šroub nože.
3. Demontujte nůž.
4. Prohlédněte držák nože a šroub nože a zkontrolujte, zda nejsou poškozené.
5. Prohlédněte hřídel motoru a ujistěte se, že není ohnutý.
6. Při montáži nového nože nasměrujte zahnuté konce nože ve směru krytu žacího ústrojí.



7. Zkontrolujte, zda je nůž zarovnaný se středem hřídele motoru.
8. Zajistěte nůž pomocí dřevěného špalíku. Nasadte pružnou podložku a utáhněte šroub a podložku utahovacím momentem 23–28 Nm.



9. Otočte nožem rukou a zkontrolujte, zda se volně otáčí.



**VÝSTRAHA:** Používejte odolné rukavice. Nůž je velmi ostrý a může snadno dojít k pořezání.

10. Nastartujte výrobek a proveďte test nože. Pokud není nůž správně připevněn, výrobek vibruje a výsledky sečení nejsou uspokojivé.

## Odstraňování problémů

### Baterie

Kontrolka LED na baterii	Příčina	Řešení
Zelená kontrolka LED bliká.	Napětí baterie je nízké.	Nabijte baterii. Další informace jsou uvedeny v části <i>Nabití baterie na strani 65</i> .
Chybová kontrolka LED bliká.	Baterie je slabá.	Nabijte baterii. Další informace jsou uvedeny v části <i>Nabití baterie na strani 65</i> .
	Teplota v pracovním prostředí je příliš vysoká nebo nízká.	Baterii používejte při teplotě 5 až 40 °C.
	Přepětí.	Zkontrolujte, zda napětí elektrické sítě odpovídá napětí uvedenému na typovém štítku výrobku. Vyměňte baterii z nabíječky. Počkejte 5 sekund a zkuste baterii znovu nabít. Pokud potíže přetrvávají, obraťte se na schváleného servisního pracovníka.
Chybová kontrolka LED svítí.	Příliš velký rozdíl napětí článku (1 V).	Obraťte se na schváleného servisního pracovníka.

### Nabíječka baterií

Kontrolka LED na nabíječce baterií	Příčina	Řešení
Chybová kontrolka LED bliká.	Teplota v pracovním prostředí je příliš vysoká nebo nízká.	Nabíječku baterií používejte při teplotě 5 až 40 °C.
Chybová kontrolka LED svítí.		Obraťte se na schváleného servisního pracovníka.

### Sekačka na trávu

Výstražná kontrolka (chybová kontrolka LED) se nachází pod krytem baterie ((LC 247i)) nebo na ovládacím panelu ((LC 347iVX, LC 353iVX)).

Problém	Chybová kontrolka LED (počet bliknutí)	Příčina	Řešení
Bliká chybová kontrolka LED. Výrobek nepracuje správně.	3	Nůž je zablokovaný.	Otočte bezpečnostní klíček do polohy 0, aby nedošlo k náhodnému spuštění. Vyměňte baterii a počkejte alespoň 5 sekund. Odstraňte případné překážky a zkontrolujte, zda se nůž může volně otáčet. Pokud potíže přetrvávají, obraťte se na schváleného servisního pracovníka.
	5	Otáčky motoru klesnou příliš nízkou a motor se zastaví.	Zvyšte výšku sečení. Další informace jsou uvedeny v části <i>Nastavení výšky sečení na strani 64</i> .
	6 <sup>9</sup>	Zablokovaná kola nebo převodovka.	Otočte bezpečnostní klíček do polohy 0, aby nedošlo k náhodnému spuštění. Vyměňte baterii a počkejte alespoň 5 sekund. Odstraňte případné překážky a zkontrolujte, zda se kola mohou volně otáčet. Pokud potíže přetrvávají, obraťte se na schváleného servisního pracovníka.
	10	Došlo k přehřátí ovládání motoru.	Zastavte motor a počkejte, než vychladne.
Bliká chybová kontrolka LED. Výrobek se vypíná.	0	Selhání konektoru baterie.	Zkontrolujte konektor baterie.
	3	Motor je přetížený.	Zvyšte výšku sečení. Další informace jsou uvedeny v části <i>Nastavení výšky sečení na strani 64</i> .
	8	Baterie je slabá.	Nabijte baterii. Další informace jsou uvedeny v části <i>Nabití baterie na strani 65</i> .
	9	Chyba baterie nebo žádný signál z baterie.	Vložte správně baterii do výrobku a zkontrolujte konektor baterie. Pokud chybová kontrolka LED na baterii bliká. Další informace jsou uvedeny v části <i>Baterie na strani 71</i> .
	12	Nesprávné spuštění. Rukojeť brzdy motoru byla aktivována před spuštěním motoru.	Uvolněte rukojeť brzdy motoru a počkejte přibližně 5 sekund. Opětovným zatlačením rukojeti brzdy motoru dolů výrobek spustíte.
Jiné chyby.	Pokud se objeví jiná chyba, otočte bezpečnostní klíček do polohy 0, vyměňte baterii a obraťte se na schváleného servisního pracovníka.		

<sup>9</sup> LC 347iVX, LC353iVX

# Přeprava, skladování a likvidace

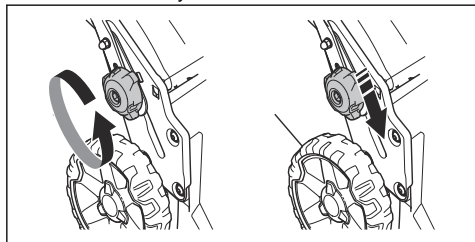
## Úvod



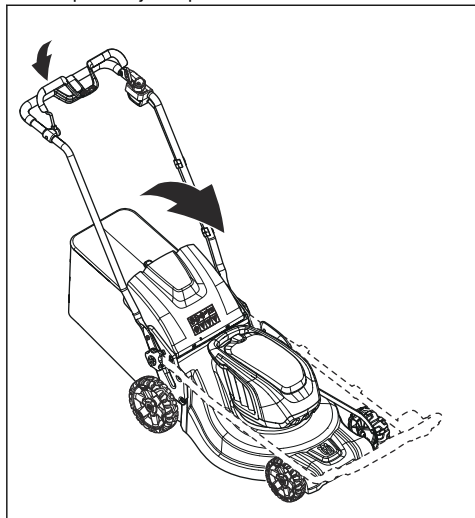
**VÝSTRAHA:** Neúmyslnému spuštění během přepravy můžete zabránit tím, že otočíte bezpečnostní klíček do polohy „0“, vyjmete baterii a počkáte alespoň 5 sekund.

## Nastavení výrobku do přepravní polohy

1. Povolte spodní matici.
2. Posuňte knoflíky na spodní konec drážek na pravé i na levé straně výrobku.



3. Sklopte rukojeť dopředu.



4. Sundejte koš na trávu.

## Přeprava

- Na dodané Li-ion baterie se vztahují požadavky legislativy o nebezpečném zboží.
- Při komerční přepravě musí být dodrženy speciální požadavky na balení a označení.

- Při přípravě výrobku k přepravě nespomeňte dbát předpisů pro nebezpečné materiály. Mohou platit místní předpisy.
- Při přepravě vždy vyjměte baterii.
- Přeplepte konektory baterie páskou a zajistěte, aby se baterie při přepravě nemohla pohybovat.
- Během přepravy výrobek zajistěte.

## Skladování

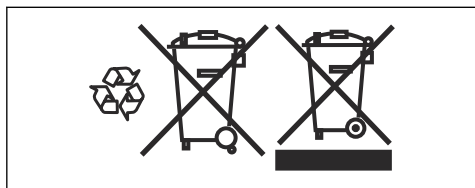
- Před uložením nechte výrobek vychladnout.
- Při skladování baterii vždy vyjměte.
- Abyste zabránili nehodám, zajistěte, aby při skladování nebyla baterie připojená k výrobku.
- Nabíječku baterií uchovávejte na uzavřeném a suchém místě.
- Baterii a nabíječku baterií uchovávejte na suchém místě, kde nehrozí vlhkost či mráz.
- Při skladování baterii odpojte od nabíječky baterií.
- Neskladujte baterii v místech, kde může docházet k výbojům statické elektřiny. Neskladujte baterii v kovovém obalu.
- Umístěte výrobek na místo, kde je teplota v rozsahu -10 až 40 °C.
- Baterii uchovávejte na místě s teplotou mezi 5 a 25 °C a mimo dosah slunečních paprsků.
- Nabíječku baterií uchovávejte na místě s teplotou mezi 5 a 45 °C a mimo dosah slunečních paprsků.
- Ujistěte se, že je baterie před dlouhodobým uskladněním nabitá na 30 % až 50 %.
- Produkt, baterii a nabíječku baterií skladujte v uzamčeném prostoru mimo dosah dětí a nepovolaných osob.
- Vyčistěte výrobek a ujistěte se, že je koš na trávu prázdný.
- Proveďte postupy údržby uvedené v tomto návodu k používání. Další informace jsou uvedeny v části *Údržba na strani 69*.
- Před dlouhodobým skladováním proveďte kompletní údržbu výrobku.

## Likvidace

Symbyly na produktu nebo jeho obalu označují, že tento výrobek nesmí být likvidován jako domácí odpad. Musí být odevzdán do příslušné recyklační stanice pro recyklaci elektrických a elektronických zařízení.

Zajištěním odpovídající likvidace tohoto výrobku pomůžete zabránit potenciálnímu negativnímu dopadu na životní prostředí a zdraví lidí, který by jinak mohl být důsledkem nesprávné likvidace tohoto výrobku. Podrobnější informace o recyklaci tohoto výrobku získáte na městském úřadě, u služby zajišťující

zpracování domácího odpadu nebo v prodejně, kde jste výrobek zakoupili.



## Technické údaje

### Technické údaje

	LC 247i	LC 347IVX	LC 353IVX
<b>Motor žacího systému</b>			
Typ motoru	BLDC (bezkontaktní) 36V	BLDC (bezkontaktní) 36V	BLDC (bezkontaktní) 36V
Otáčky motoru – SavE, ot/min	2600/min	2600/min	2600/min
Otáčky motoru – jmenovité, ot/min	3000/min	3000/min	3000/min
Otáčky motoru – vysoké zatížení, ot/min	3500/min	3500/min	3500/min
Výkon motoru – max., kW	0,96	0,96	1,05
Výkon motoru – jmenovitý, kW	0,75	0,75	0,9
<b>Hnací motor</b>			
Výkon motoru – jmenovitý, kW	Není k dispozici	0,25	0,25
Rychlost vlastního pojezdu, km/h	Není k dispozici	3,0–4,5	3,0–4,5
Úrovně rychlosti	Není k dispozici	4	4
<b>Hmotnost</b>			
Hmotnost bez koše (bez baterie), kg	24,5	26	28
Hmotnost s košem (vč. 2x BLi30), kg	30,5	32,0	34,5
<b>Baterie</b>			
Typ baterie	Řada baterií Husqvarna		
<b>Doba provozu baterie</b>			
Provozní doba baterie, min. (volný chod) s aktivovanou funkcí SavE, s jednou baterií Husqvarna 7,7 Ah (BLi30).	62	62	46
Provozní doba baterie, min. (volný chod) s aktivovaným standardním režimem, s jednou baterií Husqvarna 7,7 Ah (BLi30).	43	43	28
<b>Emise hluku<sup>10</sup></b>			
Hladina akustického výkonu, změřená dB (A)	94	94	97

<sup>10</sup> Emise hluku v životním prostředí měřené jako akustický výkon ( $L_{WA}$ ) v souladu se směrnicí 2000/14/EU.

	LC 247i	LC 347iVX	LC 353iVX
Hladina akustického výkonu, zaručená L <sub>WA</sub> dB (A)	95	95	98
<b>Hladiny hluku</b> <sup>11</sup>			
Hladina akustického tlaku na sluch obsluhy, dB (A)	82	82	86
<b>Úrovně vibrací</b> <sup>12</sup>			
Rukojeť, m/s <sup>2</sup>	0,42	0,42	2,64
<b>Žací ústrojí</b>			
Výška sečení, mm	20–75 mm	20–75 mm	20–75 mm
Šířka sečení, cm	47	47	53
Nůž standardní	Sběrný 5905934-10	Sběrný 5905934-10	Sběrný 5940757-10
Příslušenství nože	Mulčovací 5907010-10	Mulčovací 5907010-10	Mulčovací 5950072-10
Kapacita koše na trávu, litry	55	55	60

Radiofrekvenční údaje pro Bluetooth®	LC 247i	LC 347iVX	LC 353iVX
Frekvenční pásmo, GHz	Není k dispozici	2,4–2,4835	2,4–2,4835
Výstupní výkon, max., dBm	Není k dispozici	4	4

Schválené baterie	Typ	Kapacita baterie, Ah	Napětí, V	Hmotnost, kg
BLi20	Lithium-iontová	4,0	36	1,2
BLi30	Lithium-iontová	7,7	36	1,9

Schválené nabíječky pro uvedené baterie, BLi	Vstupní napětí, V	Frekvence, Hz	Výkon, W
QC80	100–240	50–60	80
40-C80	100–240	50–60	68,8
QC250	100–240	50–60	250

<sup>11</sup> Uváděná data pro hladinu akustického tlaku mají faktor odchylky (K) 1,5 dB (A).

<sup>12</sup> Uváděná data pro hladinu vibrací mají faktor odchylky (K) 1,5 m/s<sup>2</sup>. Deklarovaná celková hodnota vibrací byla měřena podle normy EN 62841-4-3, příloha I a lze ji použít ke vzájemnému porovnávání strojů i k předběžnému zhodnocení působení na uživatele.

# Prohlášení o shodě

## Prohlášení o shodě EU

Společnost **Husqvarna AB**, SE-561 82 Huskvarna,  
Švédsko, tel.: +46-36-146500, na svou výhradní  
odpovědnost prohlašuje, že výrobek:

<b>Popis</b>	Sekačka na trávu
<b>Značka</b>	Husqvarna
<b>Typ/Model</b>	LC 247i
<b>Identifikace</b>	Výrobní čísla od roku 2021 a dále

je zcela ve shodě s následujícími směrnici a předpisy  
EU:

<b>Směrnice/předpis</b>	<b>Popis</b>
2006/42/ES	„o strojních zařízeních“
2014/30/EU	„o elektromagnetické kompatibilitě“
2000/14/ES	„týkající se emisí hluku do okolního prostředí“
2011/65/EU	„o omezení používání některých nebezpečných látek v elektrických a elektronických zařízeních“

a že byly použity následující normy nebo  
technické specifikace: EN 62841-1:2015+AC:2015, EN  
62841-4-3:2021+A11:2021, EN ISO 12100:2010, EN  
55014-1:2017+A11:2020, EN 55014-2:2015, EN IEC  
63000:2018.

Oznámený subjekt: 0404, RISE SMP Svensk  
Maskinprovning AB, Box 7035, SE-750 07 Uppsala  
obdržel osvědčení o shodě se směrnicí rady  
2000/14/ES, postup posouzení shody: Dodatek VI.

Informace o emisích hluku najdete v části *Technické  
údaje na strani 74*.

Huskvarna, 2021-12-01



Claes Losdal, Development Manager/Garden Products  
(ředitel vývoje zahradního sortimentu), Husqvarna AB

Osoba odpovědná za technickou dokumentaci





## Prohlášení o shodě EU

Společnost **Husqvarna AB**, SE-561 82 Huskvarna, Švédsko, tel.: +46-36-146500, na svou výhradní odpovědnost prohlašuje, že výrobek:

<b>Popis</b>	Sekačka na trávu
<b>Značka</b>	Husqvarna
<b>Typ/Model</b>	LC 347iVX, LC 353iVX
<b>Identifikace</b>	Výrobní čísla od roku 2021-12-01 a dále

je zcela ve shodě s následujícími směrniciemi a předpisy EU:

<b>Směrnice/předpis</b>	<b>Popis</b>
2006/42/ES	„o strojních zařízeních“
2014/53/EU	„týkající se rádiových zařízení“
2000/14/ES	„týkající se emisí hluku do okolního prostředí“
2011/65/EU	„o omezení používání některých nebezpečných látek v elektrických a elektronických zařízeních“

a že byly použity následující normy nebo technické specifikace: EN 62841-1:2015+AC:2015, EN 62841-4-3:2021+A11:2021, EN ISO 12100:2010, EN 55014-1:2017+A11:2020, EN 55014-2:2015, EN IEC 63000:2018, EN ETSI 300 328 v.2.2.2, EN 50663: 2017, ETSI EN 301 489-1 V2.2.3, ETSI EN 301 489-17 V3.2.4.

Oznámený subjekt: 0404, RISE SMP Svensk Maskinprovning AB, Box 7035, SE-750 07 Uppsala obdržel osvědčení o shodě se směrnicí rady 2000/14/ES, postup posouzení shody: Dodatek VI.

Informace o emisích hluku najdete v části *Technické údaje na strani 74*.

Huskvarna, 2021-12-01



Claes Losdal, Development Manager/Garden Products (ředitel vývoje zahradního sortimentu), Husqvarna AB

Osoba odpovědná za technickou dokumentaci



---

## Registrované ochranné známky

---

Slovo a loga *Bluetooth®* jsou registrované ochranné známky vlastněné společností *Bluetooth SIG, inc.* Použití těchto známek společností Husqvarna podléhá licenci.

---

## Indhold

---

Indledning.....	78	Fejlfinding.....	95
Sikkerhed.....	80	Transport, opbevaring og bortskaffelse.....	96
Montering.....	86	Tekniske data.....	98
Drift.....	87	Overensstemmelseserklæring.....	100
Vedligeholdelse.....	93	Registrerede varemærker.....	101

---

## Indledning

---

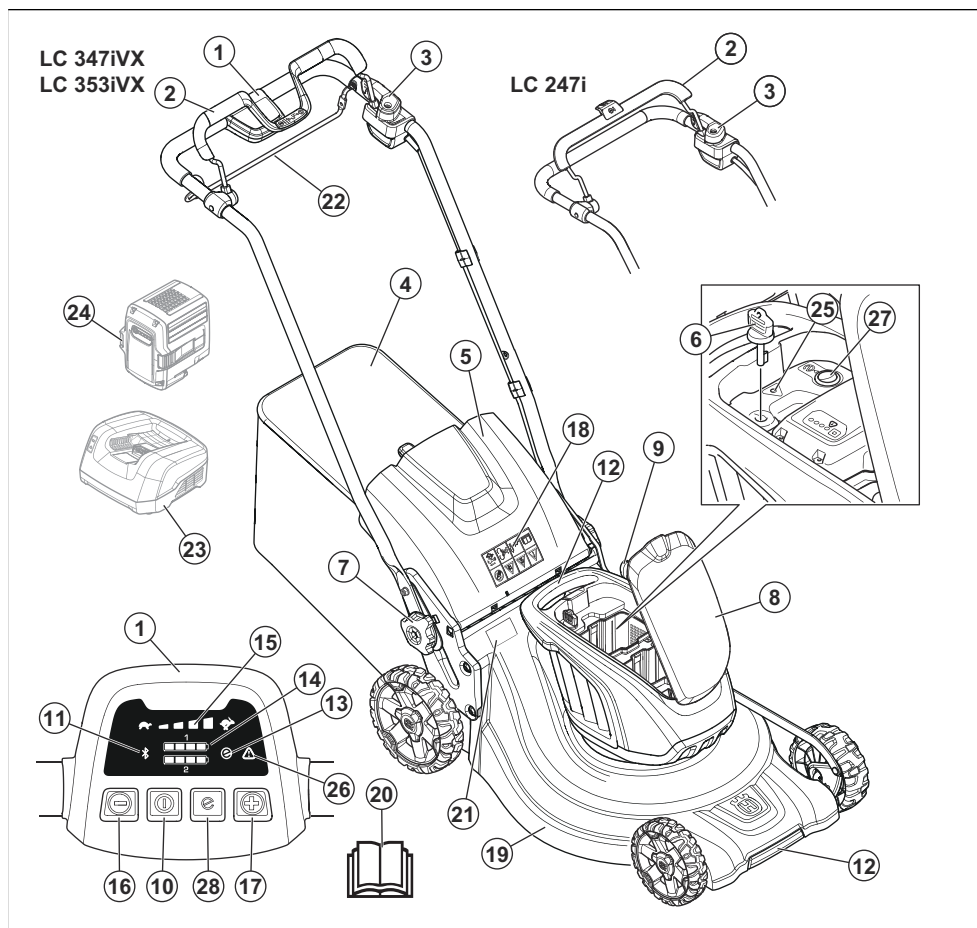
### Produktbeskrivelse

Produktet er en roterende plæneklipper med gående fører. Græsset opsamles i en græsopsamler. Fjern græsopsamleren for at få bagudkast af græsset. Monter et bioklipsæt (ekstraudstyr), og klip græsset til gødning.

### Anvendelsesformål

Brug produktet til at slå græs. Brug ikke produktet til andre opgaver.

## Produktoversigt



- |  |  |
|--|--|
| 1. Betjeningspanel (LC 347iVX, LC 353iVX)            | 16. Hastighedsreduktions-knap (LC 347iVX, LC 353iVX) |
| 2. Motorbremsehåndtag                                | 17. Hastighedsforøgelses-knap (LC 347iVX, LC 353iVX) |
| 3. Startspærre                                       | 18. Symboler   |
| 4. Græsopsamler                                      | 19. Klippeskjold                                     |
| 5. Bageste dæksel                                    | 20. Brugervejledning                                 |
| 6. Sikkerhedsnøgle                                   | 21. Typeskilt  |
| 7. Reguleringshåndgreb                               | 22. Bøjle til fremtræk (LC 347iVX, LC 353iVX)        |
| 8. Batteridæksel                                     | 23. Batterioplader (tilbehør)                        |
| 9. Klippehøjdejustering                              | 24. Batteri (tilbehør)                               |
| 10. Tænd/sluk-knap                                   | 25. Fejl-LED (LC 247i)                               |
| 11. Indikator for Bluetooth® trådløs teknologi       | 26. Fejl-LED (LC 347iVX, LC 353iVX)                  |
| 12. Løftehåndtag                                     | 27. SavE-knap (LC 247i)                              |
| 13. Indikator for SavE                               | 28. SavE-knap (LC 347iVX, LC 353iVX)                 |
| 14. Batteriindikator                                 |  |
| 15. Hastighedsniveauindikator (LC 347iVX, LC 353iVX) |  |

## Symboler på produktet



ADVARSEL



Læs anvisningerne.



ADVARSEL - Pas på genstande, der slynges ud.



Hold andre personer på afstand.



ADVARSEL - Hold hænder og fødder væk fra klingerne.



ADVARSEL - Frakobl batteriet før vedligeholdelse.



Produktet og produktemballagen er ikke almindeligt husholdningsaffald. Aflever det på en genbrugsstation til elektrisk og elektronisk udstyr.



Produktet er i overensstemmelse med de gældende EF-direktiver.



Støjemission til miljømærket i henhold til EU- og UK-direktiver og -bestemmelser. Produktets garanterede lydeffektniveau er

angivet i *Tekniske data på side 98* og på etiketten.

## IPX1

Produktet er drypbeskyttet.



Slip motorbremsehåndtaget for at stoppe.



Kode, der kan scannes

---

**Bemærk:** Andre symboler/mærkater på produktet henviser til certificeringskrav på visse markeder.

---

## Mærkat på produktet



FARE – Hold hænder og fødder væk.

## Produktansvar

Som nævnt i produktansvarsbestemmelserne hæfter vi ikke for skader forårsaget af vores produkt, hvis:

- produktet er forkert repareret.
- produktet er repareret med dele, der ikke er fra producenten eller ikke er godkendt af producenten
- produktet har tilbehør, der ikke er fra producenten eller ikke er godkendt af producenten.
- produktet ikke er repareret på et godkendt servicecenter eller af en godkendt myndighed.

---

## Sikkerhed

---

### Sikkerhedsdefinitioner

Advarsler, forholdsregler og bemærkninger bruges til at pege på særligt vigtige dele af brugsanvisningen.



**ADVARSEL:** Bruges, hvis føreren udsætter sig selv eller omkringstående personer for risiko for personskade



eller dødsfald ved tilsidesættelse af instruktionerne i brugsanvisningen.

---

**BEMÆRK:** Bruges, hvis der er risiko for skader på produktet, andre materialer eller det omgivende område ved tilsidesættelse af instruktionerne i brugsanvisningen.

---

---

**Bemærk:** Bruges til at give yderligere oplysninger, der er nødvendige i en given situation.

---

## Generelle sikkerhedsadvarsler for produktet

---



**ADVARSEL:** Læs alle sikkerhedsadvarsler, instruktioner, illustrationer og specifikationer, der følger med dette produkt. Hvis du ignorerer de nedenfor anførte instruktioner, kan det medføre elektrisk stød, brand og/eller alvorlige skader.

---

Opbevar alle advarsler og instruktioner til senere brug. Betegnelsen "produkt" i advarslerne henviser til dit produkt, som drives af strøm fra elektricitetsnettet (med ledning) eller fra batteri (ledningsfrit).

### Sikkerhed i arbejdsområdet

- **Hold arbejdsområdet rent og godt oplyst.** Rodede eller mørke områder er en invitation til ulykker.
- **Bedjen ikke produktet i områder med eksplosionsfare som f.eks. i nærheden af brændbare væsker, luftarter eller støv.** Produktet danner gnister, som kan antænde støvet eller dampene.
- **Hold børn og omkringstående personer væk, mens produktet betjenes.** Distraction kan få dig til at miste styringen.

### Elektrisk sikkerhed

- **Stikket på produktet skal passe til stikkontakten. Man må aldrig ændre på stikket. Benyt ikke adapterstik i forbindelse med jordet produkt.** Uændrede stik og passende stikkontakter reducerer risikoen for elektrisk stød.
- **Undgå kropskontakt med jodede genstande som f.eks. rør, radiatorer, komfurer og køleskabe.** Der er øget risiko for elektrisk stød, hvis din krop har forbindelse til jord.
- **Udsæt ikke produkter for regn eller våde omgivelser.** Vand, som trænger ind i et produkt, øger risikoen for elektrisk stød.
- **Behandl kablet forsigtigt. Benyt aldrig ledningen til at bære eller trække produktet eller til at trække stikket ud. Hold ledningen væk fra varme, olie, skarpe kanter eller bevægelige dele.** Beskadigede eller filtrerede kabler forøger risikoen for elektrisk stød.
- **Når du betjener et produkt udendørs, skal du benytte en forlængerledning, der egner sig til udendørs brug.** Brug af en ledning, der er egnet til udendørs brug, reducerer risikoen for elektrisk stød.
- **Hvis det ikke kan undgås at arbejde med et produkt under fugtige forhold, skal der benyttes en elforsyning, som er beskyttet med en fejlstrømsafbryder (RCD).** En fejlstrømsafbryder nedsætter risikoen for elektrisk stød.

### Personlig sikkerhed

- **Vær opmærksom, hold øje med, hvad du foretager dig, og brug sund fornuft, når du betjener et produkt. Benyt ikke et produkt, hvis du er træt eller er påvirket af narkotika, alkohol eller medicin.** Et øjeblik uopmærksomhed under betjening af produkter kan resultere i alvorlig personskade.
- **Bær personligt beskyttelsesudstyr. Brug altid beskyttelsesbriller.** Beskyttelsesudstyr som støvmaske, skridsikre sikkerhedssko, beskyttelseshjelm eller høreværn, som benyttes til de relevante formål vil nedsætte risikoen for personskade.
- **Sørg for at forhindre uønsket start af værktøjet. Sørg for, at kontakten er i frakoblet position, før du slutter produktet til strømkilden og/eller batterienheden, samt når du tager eller bærer produktet.** At bære produkter med fingeren på kontakten eller at sætte strøm til produkter med tændt kontakt udgør en risiko for ulykker.
- **Fjern alle indstillingsværktøjer og skruenøgler, før elværktøjet tændes.** En skruenøgle eller et værktøj, der efterlades fastsiddende i en roterende del af produktet, kan forårsage personskade.
- **Stræk dig ikke for langt. Sørg for altid at have godt fodfæste og god balance.** Dette sikrer bedre kontrol over produktet i uventede situationer.
- **Bær det korrekte tøj. Undgå at bære løstsiddende tøj eller smykker. Hold hår og tøj væk fra bevægelige dele.** Løst tøj, smykker eller langt hår kan blive fanget af bevægelige dele.
- **Hvis der forefindes udstyr til støvudsugning og -opsamling, skal du sikre, at det er tilsluttet, og at det bruges korrekt.** Brug af støvopsamling kan nedbringe støvrelaterede farer.
- **Lad ikke erfaringen fra tidligere brug af produkter gøre dig eftergivende, så du ignorerer sikkerhedsprincipperne for produktet.** En uforsigtig handling kan give alvorlige skader på en brøkdæl af et sekund.

### Brug og pleje af produktet

- **Tving aldrig produktet. Brug det korrekte produkt til din opgave.** Det korrekte produkt udfører arbejdet bedre og mere sikkert ved den hastighed, som det er konstrueret til.
- **Brug ikke produktet, hvis kontakten ikke kan slå det til og fra.** Ethvert produkt, som ikke kan styres med kontakten, er farligt og skal repareres.
- **Tag stikket ud af stikkontakten og/eller fjern batterienheden, hvis den kan tages ud, fra produkter, før du foretager justeringer, skifter tilbehør eller sætter dem til opbevaring.** Denne form for forebyggende sikkerhedsforanstaltninger nedsætter risikoen for, at produktet sættes i gang ved et uheld.
- **Når de ikke er i brug, skal produkter opbevares uden for børns rækkevidde, og personer, der ikke er bekendt med produktet eller disse instruktioner, må**

ikke kunne komme til at betjene produktet. Produkter er farlige i hænderne på utrænede brugere.

- **Vedligeholdelse af produkter og tilbehør. Kontrollér, om bevægelige dele sidder korrekt, eller om de binder. Se også efter, om der er defekte dele, og kontrollér alle andre forhold, som kan påvirke driften af produktet. Hvis produktet er beskadiget, skal det repareres, før det bruges igen.** Mange ulykker skyldes dårligt vedligeholdt produkter.
- **Hold skæreprodukter skarpe og rene.** Korrekt vedligeholdt skæreprodukter med skarpe klinger er mindre tilbøjelige til at binde og er lettere at styre.
- **Benyt produktet, tilbehøret, værktøjsbits osv. i overensstemmelse med disse instruktioner, og tag højde for arbejdsforholdene og det arbejde, der skal udføres.** Hvis produktet bruges til andre formål end de tiltænkte, kan der opstå en farlig situation.
- **Hold håndtag og gribeblader tørre, rene og frie for olie og fedt.** Glatte håndtag og gribeblader muliggør ikke sikker håndtering og kontrol af produktet i uventede situationer.

## Service

- **Få en kvalificeret reparatør til at foretage service på produktet, og brug kun originale reservedele.** Dette sikrer, at produktet altid fungerer sikkert.
- **Der må aldrig udføres service på beskadigede batteripakker.** Service på batteripakker bør kun udføres af producenten eller autoriserede serviceudbydere.

## Brug og pleje af batteriredskaber

- **Genoplad kun med den oplader, som producenten foreskriver.** En oplader, der egner sig til en bestemt type batteripakke, kan medføre risiko for brand, hvis den benyttes sammen med en anden batteripakke.
  - **Brug kun produkter sammen med de batterienheder, der er beregnet specifikt til dem.** Brug af andre batterienheder medfører risiko for skader og brand.
  - **Når batterienheden ikke anvendes, skal du holde den væk fra andre metalgenstande, såsom papir, clips, mønter, nøgler, søm, skruer eller andre små metalgenstande, der kan kortslutte polerne.** Kortslutning af batteripolerne kan forårsage forbrændinger eller brand.
  - **Under ugunstige forhold kan der sprøjte væske ud fra batteriet, undgå kontakt.** Hvis væsken alligevel berøres, skal der skylles med vand. Hvis du får væske i øjnene, skal du søge læge. Væske, der trænger ud af batteriet, kan forårsage irritation og ætsningsskader.
  - **Brug ikke en batteripakke eller et værktøj, som er beskadiget eller modificeret.** Beskadigede eller modificerede batterier kan opføre sig uforudsigeligt og medføre brand, eksplosion eller risiko for personskade.
  - **Udsæt ikke en batteripakke eller et værktøj for brand eller høje temperaturer.** Udsættelse for brand eller temperatur over 130 °C / 265 °F kan forårsage eksplosion.
- **Følg alle opladningsanvisninger, og oplad ikke batteripakken eller værktøjet uden for det temperaturområde, der er angivet i instruktionerne.** Forkert opladning eller opladning ved temperaturer uden for det specificerede område kan beskadige batteriet og øge risikoen for brand.

## Sikkerhedsadvarsler for plæneklippere

- **Brug ikke plæneklipperen i dårligt vejr, specielt hvis der er risiko for lynnedslag.** Dette mindsker risikoen for at blive ramt af lynnedslag.
- **Undersøg grundigt det område, hvor plæneklipperen skal bruges, for at se, om der er dyr.** Vilde dyr kan komme til skade af plæneklipperen under betjening.
- **Undersøg grundigt det område, hvor plæneklipperen skal bruges, og fjern alle sten, pinde, kabler, knogler og andre uvedkommende genstande.** Udkastede genstande kan forårsage alvorlige personskader.
- **Før brug skal plæneklipperen altid efterses visuelt for at se, at kniven, knivbolten og knivheden ikke er slidte eller beskadigede.** Beskadigede eller slidte dele øger risikoen for personskade.
- **Før brug kontrolleres forsynings- og forlængerledningen for tegn på beskadigelse eller ældning.** Brug ikke plæneklipperen, hvis ledningen er beskadiget eller slidt. Hvis ledningen er beskadiget eller slidt under brug, skal du slukke for plæneklipperen og undgå at berøre ledningen, før du frakobler den fra strømforsyningen. En beskadiget netledning eller forlængerledning kan medføre elektrisk stød, brand og/eller alvorlig personskade.
- **Græsopsamleren skal hyppigt kontrolleres for slitage og effektivitetsforringelse.** En slidt eller beskadiget græsopsamler kan øge risikoen for personskade.
- **Hold skærmene på plads. Skærmene skal være i driftsklar stand og monteret korrekt.** En skærm, der er løs, beskadiget eller ikke fungerer korrekt, kan medføre personskade.
- **Hold alle køleluftsindtag fri for snavs.** Blokerede luftindtag og snavs kan medføre overophedning eller risiko for brand.
- **Brug altid skridsikkert og beskyttende fodtøj, når du betjener plæneklipperen. Betjen ikke plæneklipperen med bare fødder eller åbne sandaler.** Dette reducerer risikoen for, at fødderne kommer i kontakt med den bevægelige kniv.
- **Bær altid lange bukser, når du betjener plæneklipperen.** Blotlagt hud øger sandsynligheden for skader fra udslyngede genstande.
- **Betjen ikke plæneklipperen i vådt græs. Gå. Løb aldrig.** Dette reducerer risikoen for at glide og falde, hvilket kan medføre personskade.
- **Betjen ikke plæneklipperen på meget stejle skråninger.** Dette reducerer risikoen for tab af kontrol og for at glide og falde, hvilket kan medføre personskade.
- **Når du arbejder på skråninger, skal du altid være sikker på, at du står godt fast. Arbejd altid på tværs af skråninger, aldrig op eller ned, og udvis stor**

- **forsigtighed, når du skifter retning.** Dette reducerer risikoen for tab af kontrol og for at glide og falde, hvilket kan medføre personskade.
- **Udvis stor forsigtighed ved bakening, eller hvis du trækker plæneklipperen imod dig selv. Vær altid opmærksom på omgivelserne.** Dette reducerer risikoen for at snuble under drift.
- **Hold netledningen på sikker afstand af knivene.** En beskadiget netledning kan medføre elektrisk stød, brand og/eller alvorlig personskade.
- **Sluk for stikket, og tag det ud af stikkontakten, hvis ledningen er sammenfiltret eller beskadiget.** Slidt eller beskadigede ledninger øger risikoen for elektrisk stød.
- **Rør ikke ved knive og andre farlige bevægelige dele, mens de stadig er i bevægelse.** Dette reducerer risikoen for personskade som følge af bevægelige dele.
- **Når du fjerner fastsiddende materiale eller rengør plæneklipperen, skal du sørge for, at alle kontakter er slået fra, og at netledningen er frakoblet.** Uventet betjening af plæneklipperen kan medføre alvorlig personskade.

### Fejlstrømsafbryder

- Brug en fejlstrømsafbryder med en udløsningsstrøm på maks. 30 mA.

### Generelle sikkerhedsinstruktioner



**ADVARSEL:** Læs følgende advarelsinstruktioner, inden du bruger produktet.

- Dette produkt er farligt, hvis det bruges forkert, eller hvis du ikke er forsigtig. Personsikade eller dødsfald kan forekomme, hvis du ikke overholder sikkerhedsinstruktionerne.
- Dette produkt danner et elektromagnetisk felt under betjening. Dette felt kan i nogle tilfælde påvirke aktive eller passive medicinske implantater. For at reducere risikoen for alvorlige eller dødbringende kvæstelser anbefaler vi, at personer med medicinske implantater kontakter deres læge og producenten af det medicinske implantat, før de tager produktet i brug.
- Vær altid forsigtig, og brug din sunde fornuft. Hvis du ikke er sikker på, hvordan produktet betjenes en særlig situation: Stop, og kontakt Husqvarna forhandleren, inden du fortsætter.
- Vær opmærksom på, at føreren er ansvarlig for ulykker, der involverer andre personer eller disses ejendom.
- Hold produktet rent. Sørg for, at skilte og mærkater er tydeligt læsbare.
- Lad aldrig børn eller personer, der ikke kender apparatet, bruge det. Der kan være lokale regler for, hvor gammel brugeren skal være.

- Hold altid øje med personer med nedsat fysisk eller mental kapacitet, der bruger produktet. En voksen skal være til stede hele tiden.
- Brug ikke produktet, hvis du er træt, syg eller påvirket af alkohol, narkotika eller medicin. Det har en negativ virkning på synet, overblikket, koordinationsevnen og dømmekraften.
- Brug ikke produktet, hvis det er fejlbehæftet.
- Foretag ikke ændringer på produktet, og undlad at bruge det, hvis der er risiko for, at det er blevet ændret af andre.

### Arbejdssikkerhed



**ADVARSEL:** Læs følgende advarelsinstruktioner, inden du bruger produktet.

- Brug kun produktet til græsslåning. Det er ikke tilladt at bruge det til andre opgaver.
- Bær personligt beskyttelsesudstyr. Se *Personligt beskyttelsesudstyr på side 84*.
- Sørg for, at du ved, hvordan du standser motoren hurtigt i nødstilfælde.
- Betjen ikke produktet i regn eller våde omgivelser. Risikoen for elektriske stød øges, hvis der trænger vand ind i produktet.
- Betjen ikke produktet, medmindre kniven og alle afskærmninger er monteret korrekt. En forkert monteret klinge kan løsne sig og forårsage personskade.
- Sørg for, at kniven ikke rammer genstande som f.eks. sten og rødder. Det kan beskadige klingens og bøje motorakslen. En bøjet aksel giver kraftige vibrationer og stor risiko for, at kniven løsner sig.
- Hvis kniven rammer en genstand, eller der opstår vibrationer, skal du straks standse produktet. Stand motoren, drej sikkerhedsnøglen til 0, og afmonter batteriet. Vent, indtil bevægelige dele stopper. Undersøg, om produktet er blevet beskadiget. Spænd løse dele. Reparér skader, og udskift beskadigede dele. Lad et godkendt serviceværksted udføre reparationen.
- Fastgør aldrig motorbremsehåndtaget permanent på styret, når motoren er startet.
- Anbring produktet på et stabilt, fladt underlag, og start det. Sørg for, at kniven ikke rammer jorden eller andre genstande.
- Hold dig altid bag produktet, mens du betjener det.
- Lad alle hjulene blive på jorden, og hold 2 hænder på styret, når du betjener produktet. Hold hænder og fødder på sikker afstand af de roterende knive.
- Vip ikke produktet, når du starter motoren eller under betjening af produktet.
- Vær forsigtig, når du trækker produktet baglæns.
- Løft aldrig produktet, når motoren er startet. Hvis du skal løfte produktet, skal du først stoppe motoren, dreje sikkerhedsnøglen til 0 og afmontere batteriet.

- Gå ikke baglæns, når du bruger produktet.
- Stands motoren, når det er nødvendigt at vippe produktet i forbindelse med transport, eller før du kører på tværs af områder uden græs, f.eks. stier lavet af grus, sten og asfalt.
- Undlad at køre med produktet, når motoren er startet. Gå altid fremad, når du bruger produktet.
- Stands motoren, inden du ændrer klippehøjden. Udfør aldrig justeringer, mens motoren kører.
- Efterlad aldrig produktet uden opsyn, når motoren er startet. Stands motoren, og sørg for, at skæreudstyret ikke roterer.
- Vibrationerne i produktet under betjening kan være forskellige fra den angivne vibrationsværdi i *Tekniske data på side 98*. Forskellen skyldes variationer i, hvordan produktet anvendes. Hvis du bruger produktet ofte eller i længere tid ad gangen, skal du holde pauser regelmæssigt for at undgå skader som følge af vibrationer.

## Sikkerhedsinstruktioner for drift

### Personligt beskyttelsesudstyr



**ADVARSEL:** Læs følgende advarselsinstruktioner, inden du bruger produktet.

- Personligt beskyttelsesudstyr udelukker ikke fuldstændigt risikoen for personskader, men det mindsker graden af skaderne i tilfælde af, at der skulle ske en ulykke. Lad forhandleren hjælpe dig med at vælge det rigtige udstyr.
- Brug kraftige, skridsikre støvler eller sko. Brug ikke åbne sko, og gå heller ikke på bare fødder.
- Brug kraftige, lange bukser.
- Brug om nødvendigt beskyttelseshandsker, f.eks. ved montering, eftersyn eller rengøring af skæreudstyret.
- Vi anbefaler brugen af høreværn.

### Sikkerhedsanordninger på produktet



**ADVARSEL:** Læs følgende advarselsinstruktioner, inden du bruger produktet.

- Brug ikke et produkt med defekte sikkerhedsanordninger.
- Du må ikke fjerne eller foretage ændringer af sikkerhedsanordninger.
- Kontrollér sikkerhedsanordningerne regelmæssigt. Hvis sikkerhedsanordningerne er defekte, skal du henvende dig til dit Husqvarna-serviceværksted.

### Sådan kontrolleres klippeskjoldet

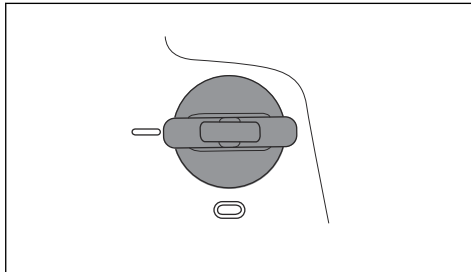
Klippeskjoldet mindsker vibrationer i produktet og reducerer risikoen for skader fra klingen.

- Undersøg klippeskjoldet for at sikre, at der ikke er skader såsom revner.

### Sådan kontrolleres sikkerhedsnøglen

Sikkerhedsnøglen er under batterilåget. Sikkerhedsnøglen forbinder det batteri, der forsyner motoren med strøm.

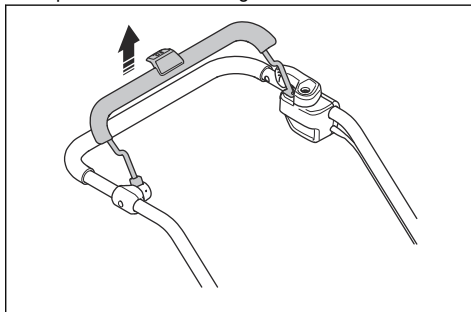
- Start og stop motoren for at kontrollere sikkerhedsnøglen.
- Hvis sikkerhedsnøglen fungerer korrekt, kan motoren kun starte, når nøglen er i position 1.



### Sådan kontrolleres motorbremsehåndtaget

Motorbremsehåndtaget standser motoren. Når motorbremsehåndtaget slippes, standser motoren.

- Start produktet. Se *Drift på side 87*.
- Slip motorbremsehåndtaget.



- Sørg for, at produktet standser. Hvis motoren ikke standser inden for 3 sekunder, skal et godkendt Husqvarna-serviceværksted justere motorbremsen.

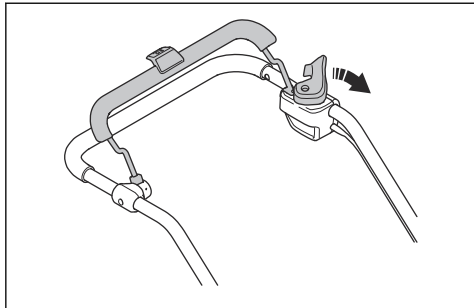
### Sådan kontrolleres startspærren

Efterse startspærren for at sikre, at den forhindrer drift af motoren.

1. Skub bøjlen til fremtrækket i retning mod styret. Startspærren standser bevægelsen.



## 2. Skub startspærren ud.



## 3. Slip startspærren, og sørg for, at den returnerer til udgangspositionen.

### Batterisikkerhed



**ADVARSEL:** Læs følgende advarelsinstruktioner, inden du bruger produktet.

- Brug kun genopladelige Husqvarna-batterier som strømforsyning til relaterede Husqvarna-produkter. For at undgå personskade må batteriet ikke anvendes som strømforsyning til andre produkter.
- Undgå at bruge ikke-genopladelige batterier.
- Risiko for elektrisk stød. Tilslut ikke batteripolerne til nøgler, mønter, skruer eller andre metalgenstande. Dette kan medføre en kortslutning af batteriet.
- Sæt ikke genstande ind i batteriets luftspalte.
- Hold batteriet væk fra sollys, varme og åben ild. Batteriet kan eksplodere og medføre forbrændinger og/eller kemiske forbrændinger.
- Hold batteriet væk fra regn og våde omgivelser.
- Hold batteriet væk fra mikrobløjer og højt tryk.
- Forsøg ikke at skille batteriet ad eller ødelægge det.
- Hvis batteriet lækker, skal du sørge for, at væsken ikke kommer i kontakt med hud eller øjne. Ved berøring af væsken skal området skylles med en stor mængde vand, og opsøg derefter lægehjælp.
- Brug kun batteriet i produktet, hvis omgivelsestemperaturen er mellem 5 °C og 40 °C.
- Brug kun batteriopladeren, hvis omgivelsestemperaturen er mellem 5 °C og 40 °C.
- Batteriet oplades ikke, hvis batteriets temperatur er højere end 50 °C.
- Batteriet eller batteriopladeren må aldrig rengøres med vand. Se *Sådan rengøres batteriet og batteriopladeren på side 94*.
- Brug ikke et defekt eller beskadiget batteri.
- Opbevar batterierne væk fra metalgenstande som f.eks. søm, mønter og smykker.

### Batteriopladersikkerhed



**ADVARSEL:** Læs følgende advarelsinstruktioner, inden du bruger produktet.

- Brug udelukkende QC-batteriopladerne til at oplade udskiftelige Husqvarna-batterier.
- Minimer risikoen for elektrisk stød eller kortslutning. Sæt ikke genstande ind i opladerens luftspalte. Forsøg aldrig at adskille batteriopladeren. Forbind ikke batteriopladerens poler med metalgenstande. Brug en godkendt stikkontakt.
- Dette produkt danner et elektromagnetisk felt under betjening. Dette felt kan i nogle tilfælde påvirke aktive eller passive medicinske implantater. For at reducere risikoen for alvorlige eller dødbringende kvæstelser anbefaler vi, at personer med medicinske implantater kontakter deres læge og producenten af det medicinske implantat, før de tager produktet i brug.
- Undersøg regelmæssigt, at ledningen til batteriopladeren er intakt, og at der ikke er revner i den.
- Løft aldrig batteriopladeren ved hjælp af ledningen. Træk stikket ud for at afbryde batteriopladeren fra stikkontakten. Træk ikke i strømkablet.
- Hold strømledningen og forlængerledninger væk fra vand, olie og skarpe kanter. Sørg for, at ledningen ikke bliver klemt i døre, hegn eller lignende. Det kan medføre, at opladeren bliver strømførende.
- Batteriopladeren må aldrig rengøres med vand.
- Batteriopladeren kan bruges af børn fra 8 år og opad samt af personer med nedsatte fysiske, følelsesmæssige eller mentale evner eller manglende erfaring og viden, hvis de er under opsyn eller har modtaget træning i brugen af batteriopladeren på en sikker måde og forstår farerne, der er forbundet med brugen. Børn må ikke lege med batteriopladeren. Rengøring og vedligeholdelse må ikke udføres af børn uden overvågning.
- Ikke-genopladelige batterier må ikke oplades i batteriopladeren.
- Brug ikke batteriopladeren i nærheden af brandfarlige materialer eller materialer, der kan medføre korrosion. Batteriopladeren må ikke tildækkes. I tilfælde af røgafgivelse eller brand skal batteriopladeren afbrydes fra stikkontakten.
- Brug ikke defekte eller beskadigede batteriopladerne.
- Oplad kun batteriet indendørs i et rum med god ventilation og beskyttet mod direkte sollys. Oplad ikke batteriet under våde forhold.

## Sikkerhedsinstruktioner for vedligeholdelse



**ADVARSEL:** Læs følgende advarselsinstruktioner, inden du bruger produktet.

- For at undgå utilsigtet start i forbindelse med vedligeholdelse, skal du dreje sikkerhedsnøglen til 0 og fjerne batteriet. Vent i mindst 5 sekunder, før du påbegynder vedligeholdelse.
- Foretag kun den form for vedligeholdelsesarbejde, der er angivet i denne brugsanvisning. Mere omfattende arbejde og professionelle reparationer skal udføres af et godkendt serviceværksted. Kontakt dit nærmeste serviceværksted for at få flere oplysninger.
- Udfør vedligeholdelsesarbejde korrekt for at øge levetiden for produktet og mindske risikoen for ulykker.

- Udskift beskadigede, slidte eller defekte dele. Brug altid originale reservedele fra producenten. Andre reservedele kan beskadige produktet og øge risikoen for ulykker.
- For at forhindre skader må du ikke fjerne eller foretage ændringer af sikkerhedsanordninger.
- Ifør dig kraftige handsker, når du anvender skæreudstyret. Kniven er meget skarp, og du kan nemt komme til at skære dig.
- Hold klingerne skarpe og rene for at sikre den bedst mulige ydeevne.
- Lad jævnligt serviceværkstedet efterse produktet og foretage de nødvendige justeringer og reparationer.
- Følg vejledningen for, hvordan du udskifter tilbehør. Brug kun tilbehør fra producenten.
- Når de ikke er i drift, skal du holde produktet, batteriet og batteriopladeren adskilt et tørt, indendørs og aflåst sted. Sørg for, at børn og personer, som ikke er godkendt, ikke kan få adgang til produktet, batteriet eller batteriopladeren.

## Montering

### Indledning

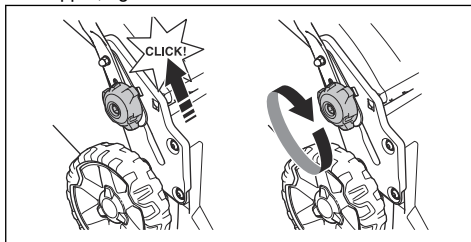


**ADVARSEL:** Før du samler produktet, skal du læse sikkerhedskapitlet.



**ADVARSEL:** For at undgå utilsigtet start under monteringen, skal du dreje sikkerhedsnøglen til 0, fjerne batteriet og vente i mindst 5 sekunder.

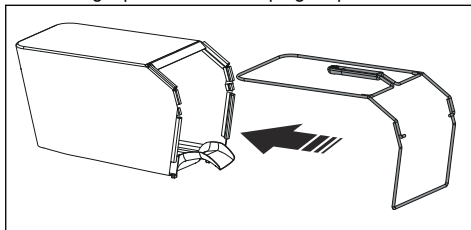
4. Flyt grebene op i retning af håndtaget, indtil de stopper, og der høres et klik.



5. Spænd skruelhåndtagene hårdt.

### Sådan samles græsopsamleren

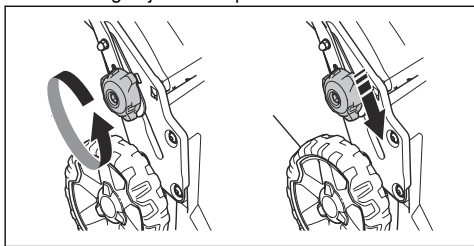
1. Fastgør græsopsamlerens ramme til græsposen med den afstivede del af posen nederst. Hold håndtaget på rammen oven på græsposen.



2. Fastgør den nederste del af græsopsamlerens ramme i sporet i bunden af græsopsamleren.

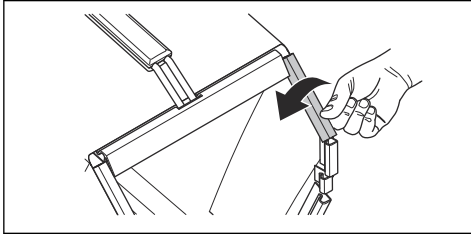
### Sådan justeres håndtaget

1. Løsn de nederste skruelhåndtag.
2. Flyt grebene til den nederste ende af rillerne på venstre og højre side af produktet.

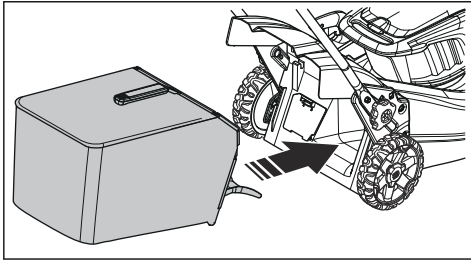


3. Sæt håndtagets højde i en af de 2 mulige stillinger.

3. Fastgør græsposen til græsopsamlerens ramme med clipsene.

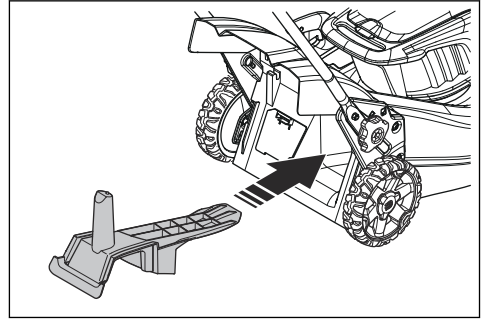


4. Løft det bageste dæksel.
5. Fastgør græsopsamleren på chassisets øverste kant.
6. Sæt græsopsamlerens nederste del i græsudkastkanalen.



## Sådan samles bioklipproppen (tilbehør)

1. Løft det bageste dæksel, og fjern græsopsamleren.
2. Sæt bioklipproppen i udkastkanalen.



3. Udskift klinget med findelingsklingen leveret i findelingssættet. Se *Sådan udskiftes kniven på side 94*.

## Drift

### Indledning



**ADVARSEL:** Før du bruger produktet, skal du læse og forstå kapitlet om sikkerhed.

### Husqvarna Connect

Husqvarna Connect er en gratis app til din mobile enhed. Appen Husqvarna Connect giver udvidede funktioner til dit Husqvarna produkt:

- Yderligere produktoplysninger.
- Oplysninger om, og hjælp til, dele og service.

### Sådan kommer du i gang med at bruge Husqvarna Connect

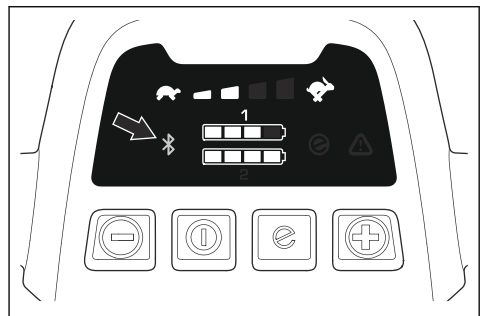
1. Download Husqvarna Connect appen på din mobile enhed.
2. Tilmeld dig i Husqvarna Connect appen.
3. Følg instruktionerne i Husqvarna Connect-appen for at tilslutte og registrere produktet.

**Bemærk:** Husqvarna Connect-appen er ikke tilgængelig for download på alle markeder. Spørg en serviceforhandler for at få yderligere oplysninger.

### Bluetooth® oplysning (LC 347iVX, LC 353iVX)

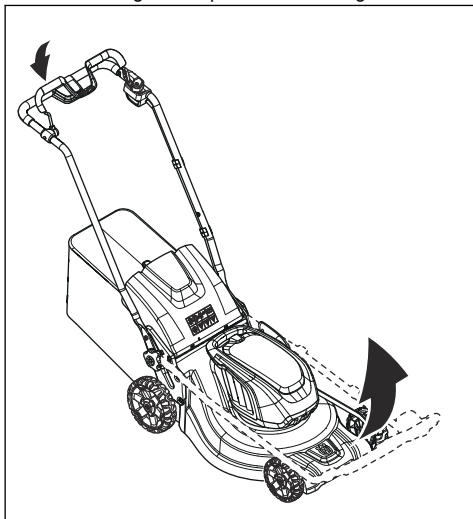
#### Bluetooth® trådløs teknologi

Symbolet for *Bluetooth®* trådløs teknologi tænder, når din mobile enhed er tilsluttet til produktet.

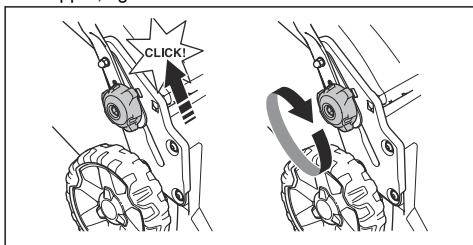


## Sådan sættes produktet i driftsstilling

1. Fold håndtaget ud i opretstående stilling.



2. Flyt grebene op i retning af håndtaget, indtil de stopper, og der høres et klik.



3. Spænd skruehåndtagene hårdt.



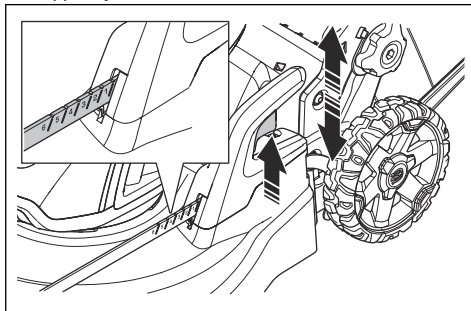
**ADVARSEL:** Brug ikke produktet, medmindre håndtaget er foldet helt op og indstillet i en af de relevante højdepositioner. Se *Sådan justeres håndtaget på side 86*.

## Sådan indstilles klippehøjden

Klippehøjden kan justeres i 6 niveauer.

1. Flyt klippehøjdehåndtaget ned for at mindske klippehøjden.

2. Flyt klippehøjdehåndtaget op for at øge klippehøjden.



**BEMÆRK:** Indstil ikke klippehøjden for lavt. Knivene kan ramme jorden, hvis græsplænenes overflade ikke er jævn.

## Batteri



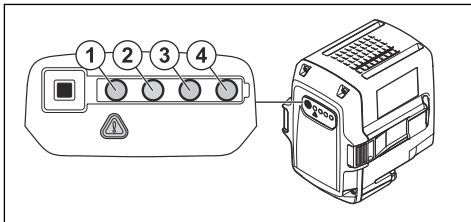
**ADVARSEL:** Inden brug af produktet skal du læse og sætte dig ind i kapitlet om sikkerhed. Du skal også læse og sætte dig ind i brugsanvisningen for batteriet og batteriopladeren.

Opbevar batteriet og batteriopladeren i de korrekte omgivende temperaturer.

	Omgivelsestemperatur
Betjening af batteriet	5 °C - 40 °C
Opladning af batteriet	5 °C - 40 °C

## Batteristatus

Displayet viser batteriets resterende batterikapacitet, og om der er problemer med batteriet. Batterikapaciteten vises i 5 sekunder, efter at produktet er slukket, eller batteriindikatorknappen er trykket ned. Advarselssymbolet på batteriet er tændt, når der er sket en fejl. Se *Batteri på side 95*.



LED-lys	Batteristatus
Alle LED'er er tændt	Fuldt opladet (75-100 %)

LED-lys	Batteristatus
LED 1, LED 2 og LED 3 er tændt	Batteriet er opladet 50-75 %
LED 1 og LED 2 er tændt	Batteriet er opladet 25-50 %
LED 1 er tændt	Batteriet er opladet 0-25 %.
LED 1 blinker	Batteriet er afladet. Oplad batteriet.

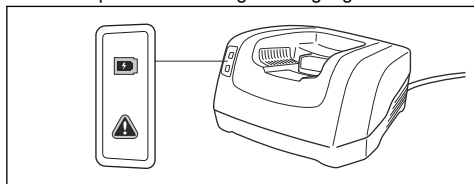
## Sådan oplades batteriet

Oplad batteriet, inden første ibrugtagning. Batteriet er kun 30 % opladet, når det leveres til kunden.

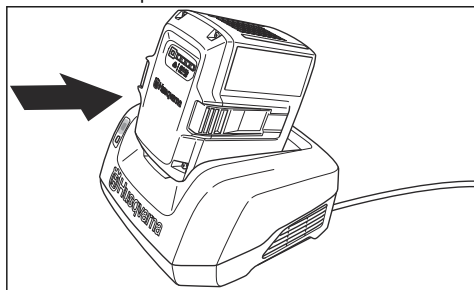
**Bemærk:** Batteriopladeren skal tilsluttes til den spænding og frekvens, der fremgår af typeskiltet.

Batteriet oplades ikke, hvis batteriets temperatur er over 50 °C. Batteriopladeren sænker batteriets temperatur, før det begynder at oplade.

1. Forbind den ene ende af ledningen til batteriopladeren til stikket på batteriopladeren.
2. Forbind den anden ende af ledningen til batteriopladeren til en jordet stikkontakt. LED'en på batteriopladeren blinker grønt én gang.



3. Isæt batteriet i batteriopladeren. Den grønne lampe på opladeren lyser, når batteriet er korrekt forbundet med batteriopladeren.



4. Når alle LED'erne på batteriet er tændt, er batteriet fuldt opladet. Oplad batteriet i maks. 24 timer.
5. For at afbryde batteriopladeren fra stikkontakten, skal du trække i stikket, ikke i ledningen.
6. Fjern batteriet fra batteriopladeren.

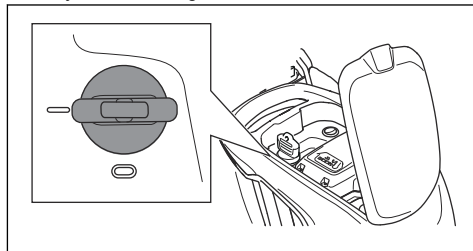
## Batteriets ladestatus

Et Husqvarna-li-ion-batteri kan oplades eller bruges på alle opladningsniveauer. Batteriet er ikke beskadiget. Et fuldt opladet batteri vil ikke aflades, når batteriet efterlades i opladeren.

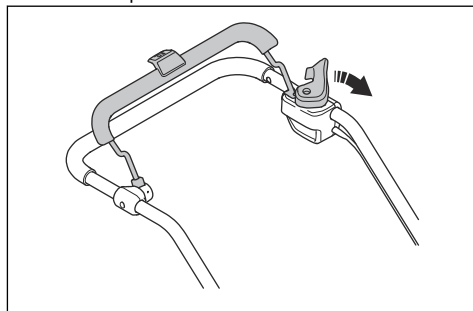
LED-display	Ladestatus
LED 1 blinker	0 %-25 %
LED 1 er tændt, LED 2 blinker	25 %-50 %
LED 1, LED 2 er tændt, LED 3 blinker	50 %-75 %
LED 1, LED 2, LED 3 er tændt, LED 4 blinker	75 %-100 %
LED 1, LED 2, LED 3, LED 4 er tændt	Fuldt opladet

## Sådan startes produktet (LC 247i)

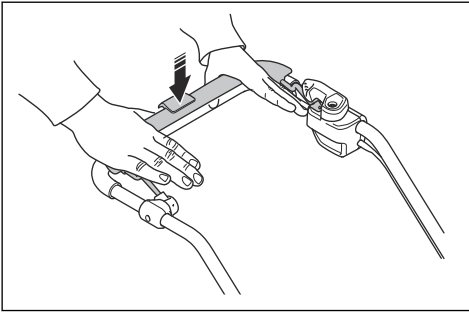
1. Åbn batterilåget.
2. Isæt et opladet batteri i 1 af batterirummene. For længere driftstid, skal du isætte et andet opladet batteri i det andet batterirum.
3. Drej sikkerhedsnøglen til 1.



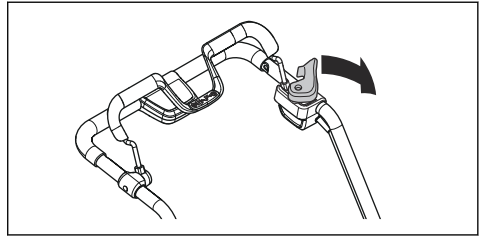
4. Stil dig bag produktet.
5. Løsn startspærren.



6. Skub bøjlen til fremtrækket i retning mod styret.

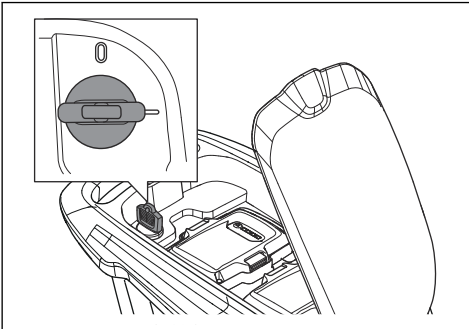


6. Løsn startspærren.



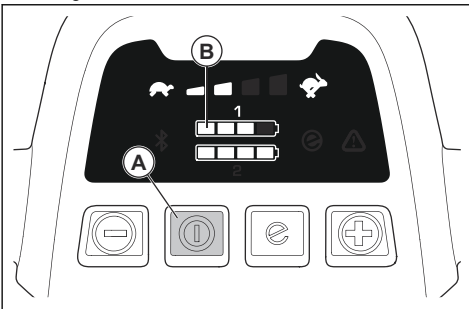
## Sådan startes produktet (LC 347iVX, LC 353iVX)

1. Åbn batterilåget.
2. Isæt et opladet batteri i 1 af batterirummene. For længere driftstid, skal du isætte et andet opladet batteri i det andet batterirum.
3. Drej sikkerhedsnøglen til 1.

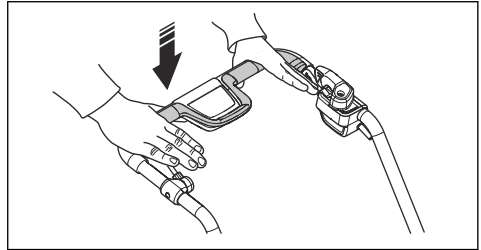


4. Stil dig bag produktet.

5. Skub ON/OFF-knappen (A) på kontrolpanelet. Displayet tændes. Batteriindikatoren (B) viser opladningsniveauet for de 2 batterier. Antallet af batterier, der er i drift, vises ved siden af batteriindikatoren. For modellerne LC 347iVX, LC 353iVX viser displayet også den indstillede hastighed.

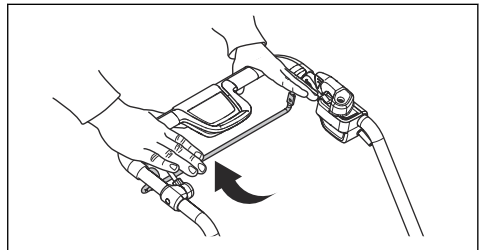


7. Skub bøjlen til fremtrækket i retning mod styret.

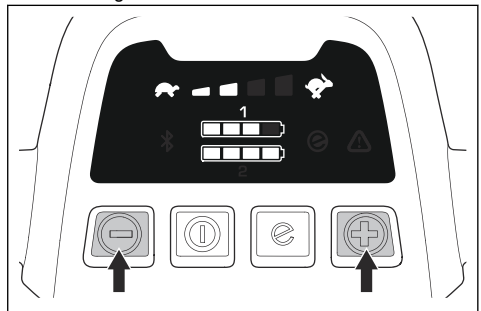


## Sådan bruges hjulenes fremtræk (LC 347iVX, LC 353iVX)

- Træk bøjlen til fremtrækket i retning af styret for at starte drevet.



- Tryk på + og - på betjeningspanelet for at indstille kørehastigheden i 4 trin.

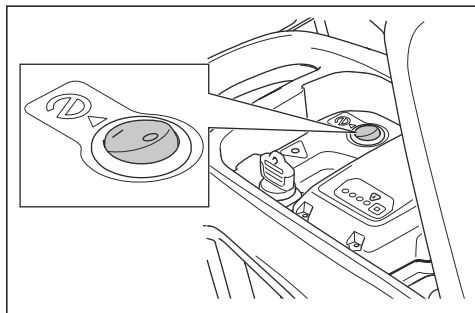


- Slip bøjlen til fremtrækket for at frakoble det, f.eks. når du nærmer dig en forhindring.

## Sådan bruges SavE™-funktionen (LC 247i)

Produktet har en batterisparefunktion (SavE™), der giver længere driftstid.

- Tryk SavE™-knappen til position 1 for at starte funktionen.



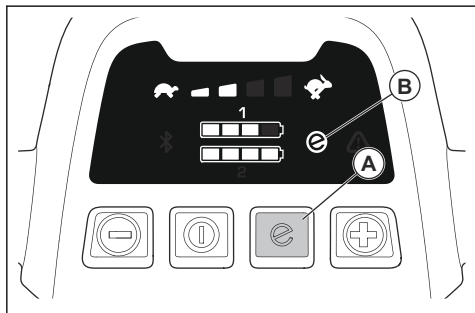
- Tryk SavE™-knappen til position 0 for at standse funktionen.

**Bemærk:** SavE™-funktionen standser automatisk, hvis terrænforholdene gør det nødvendigt at have en højere effekt. SavE™-funktionen starter automatisk igen, når terrænforholdene gør det muligt.

## Sådan bruges SavE™-funktionen (LC 347iVX, LC 353iVX)

Produktet har en batterisparefunktion (SavE™), der giver længere driftstid.

1. Tryk på SavE™-knappen (A) for at starte funktionen. SavE™-symbolet (B) på displayet tændes.
2. Tryk på SavE™ knappen igen for at standse funktionen. SavE™-symbolet (B) på displayet slukkes.



**Bemærk:** SavE™-funktionen standser automatisk, hvis terrænforholdene gør det nødvendigt at have en højere effekt. SavE™-funktionen starter automatisk igen, når terrænforholdene gør det muligt.

## Høj belastningsfunktion

Når produktet klipper langt eller vådt græs, øger motoren automatisk o/min. Motoren skifter tilbage til standardtilstand, når høj belastning ikke er nødvendigt.

## Automatisk genstart

Under betjening kan kniven og motoren midlertidigt stoppe på grund af forhindringer som f.eks. græsblokering under klippeskjoldet. Hvis dette sker, og du holder motorbremsehåndtaget trykket ned, forsøger produktet at genstarte automatisk. Hvis produktet ikke genstarter i løbet af 5 sekunder, kan det være nødvendigt at rengøre under klippeskjoldet. Se *Sådan rengøres produktet på side 93*.



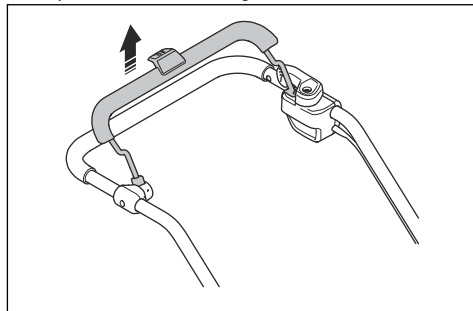
**ADVARSEL:** Før en kontrol af klippeskjoldet skal du slippe motorbremsehåndtaget, dreje sikkerhedsnøglen til 0, fjerne batteriet og vente i mindst 5 sekunder. Der er risiko for personskaade, hvis forhindringen fjernes, og produktet starter ved et uheld.

## Sådan standses produktet (LC 247i)

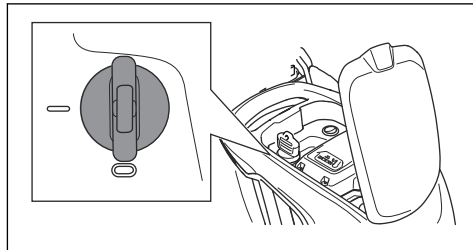


**ADVARSEL:** Drej sikkerhedsnøglen til 0, før du efterlader produktet uden opsyn.

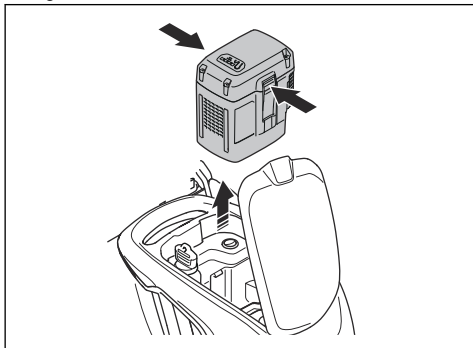
1. Slip motorbremsehåndtaget for at standse motoren.



2. Åbn batterilåget, og drej sikkerhedsnøglen til 0.



3. Fjern batteriet ved at trykke på de 2 udløserknapper og trække batteriet ud.



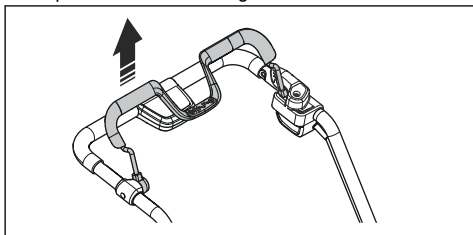
4. Oplad batteriet, hvis det er svagt. Se *Sådan oplades batteriet på side 89* for at få flere oplysninger.

## Sådan standses produktet (LC 347iVX, LC 353iVX)

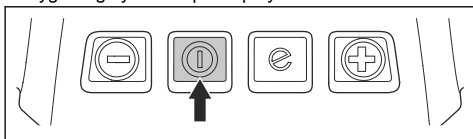


**ADVARSEL:** Drej sikkerhedsnøglen til 0, før du efterlader produktet uden opsyn.

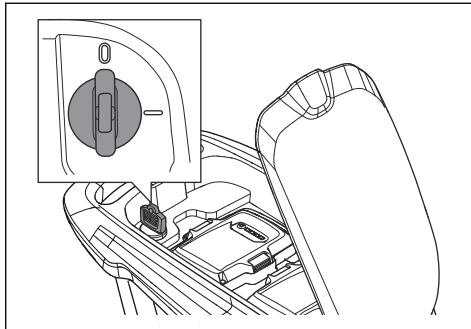
1. Slip motorbremsehåndtaget for at standse motoren.



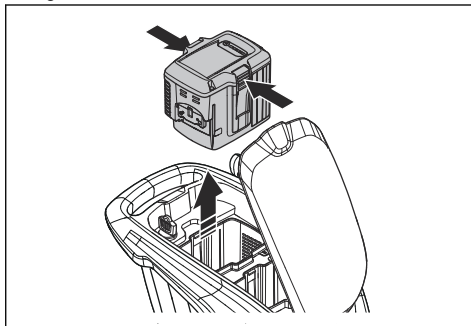
2. Skub ON/OFF-knappen på kontrolpanelet. Alle LED-lygter og symboler på displayet slukkes.



3. Åbn batterilåget, og drej sikkerhedsnøglen til 0.



4. Fjern batteriet ved at trykke på de 2 udløserknapper og trække batteriet ud.



5. Oplad batteriet, hvis det er svagt. Se *Sådan oplades batteriet på side 89* for at få flere oplysninger.

**Bemærk:** Produktet slukker automatisk, hvis du ikke betjener det i 10 minutter. Start produktet, se *Sådan startes produktet (LC 347iVX, LC 353iVX) på side 90*.

## Sådan opnår du et godt resultat

- Sørg altid for, at klingen er skarp. En sløv klinge giver et uregelmæssigt resultat, og græssets snitflade bliver gul. En skarp klinge bruger desuden mindre energi end en sløv klinge.
- Klip aldrig mere end  $\frac{1}{3}$  af græssets længde. Klip først med klippehøjden indstillet højt. Efterse resultatet, og sænk derefter klippehøjden til det ønskede niveau. Hvis græsset er meget højt, skal du køre langsomt og om nødvendigt klippe 2 gange.
- Klip i forskellige retninger hver gang for at undgå striber i græsplænen.
- Hold klippeafskærmningen ren. Ophobning af græs og snavs på indersiden af klippeafskærmningen kan forringe klipperesultatet. Se *Sådan rengøres produktet på side 93*.



## Sådan klippes græs uden en monteret græsopsamler eller bioklipprop

- Løft det bageste dæksel, og fjern græsopsamleren.

- Hvis der er monteret en bioklipprop og en findelingsklinge, skal de fjernes.
- Luk det bageste dæksel, før du betjener produktet.

Når du betjener produktet, udkastes det afskårne græs under det bageste dæksel.

## Vedligeholdelse

### Indledning



**ADVARSEL:** Inden der foretages vedligeholdelse, skal du læse og forstå kapitlet om sikkerhed.

Alt service- og reparationsarbejde på produktet kræver specialuddannelse. Vi garanterer faglig korrekt reparation og service. Hvis forhandleren ikke er et serviceværksted, kan vedkommende oplyse om nærmeste serviceværksted.

Se [www.husqvarna.com](http://www.husqvarna.com) for at få mere detaljerede oplysninger.

### Vedligeholdelsesskema

Vedligeholdelsesintervallerne er fastlagt baseret på daglig brug af produktet. Intervallerne ændres, hvis produktet ikke bruges dagligt.

For vedligeholdelse identificeret med \* henvises til vejledningen i *Sikkerhed på side 80*.

	Hver brug	Månedligt	Hver sæson
Foretag et generelt eftersyn	X		
Rengør produktet	X		
Kontrollér startspærren *	X		
Sørg for, at sikkerhedsanordningerne på produktet ikke er defekte *	X		
Efterse skæreudstyret	X		
Efterse klippeskjoldet *	X		
Kontrollér motorbremsehåndtaget *	X		
Sørg for, at ON/OFF-knappen fungerer korrekt og ikke er defekt	X		
Efterse batteriet for skader	X		
Kontrollér batteriopladeren	X		
Sørg for, at udløserknapperne på batteriet fungerer korrekt, og at batteriet låses på plads i produktet	X		
Efterse batteriopladeren for skader, og sørg for, at den fungerer korrekt.		X	
Efterse forbindelserne mellem batteriet og produktet. Efterse også forbindelsen mellem batteriet og batteriopladeren.			X

### Sådan udføres et generelt eftersyn

- Sørg for, at møtrikker og skruer på produktet er spændt.
- Sørg for, at ledningerne på produktet ikke er placeret på en måde, så de kan blive beskadiget.

- Brug ikke vand til rengøring af produktet. Vand kan trænge ind i batteriet eller motoren og forårsage kortslutning eller beskadigelse af produktet.
- Brug ikke en højtryksrensers til at rengøre produktet.
- Sprøjt aldrig vand direkte på motoren.
- Brug en børste til at fjerne blade, græs og snavs.

### Sådan rengøres produktet

- Rengør plasticdele med en ren og tør klud.

## Sådan rengøres batteriet og batteriopladeren



**ADVARSEL:** Batteriet eller batteriopladeren må aldrig rengøres med vand.

- Sørg for, at batteriet og opladeren er rene og tørre, før du sætter batteriet i batteriopladeren.
- Rengør batteriets poler med trykluft eller med en blød og tør klud.
- Rens overfladerne på batteriet og batteriopladeren med en blød og tør klud.

## Sådan efterses skæreudstyret



**ADVARSEL:** For at undgå utilsigtet start, skal du dreje sikkerhedsnøglen til 0, fjerne batteriet og vente i mindst 5 sekunder.



**ADVARSEL:** Brug handsker, når du udfører vedligeholdelse på skæreudstyret. Klingens er meget skarp, og du kan nemt komme til at skære dig.

1. Efterses skæreudstyret for skader eller revner. Udskift altid skæreudstyret, hvis det er beskadiget.
2. Kig på klingens for at se, om den er beskadiget eller sløv.

**Bemærk:** Kniven skal afbalanceres, efter den er blevet slebet. Lad et servicecenter skærpe, udskift og afbalancere klingens. Hvis du rammer en forhindring, der får produktet til at standse, udskiftes den beskadigede klinge. Lad servicecenteret vurdere, om klingens kan files, eller om den skal udskiftes.

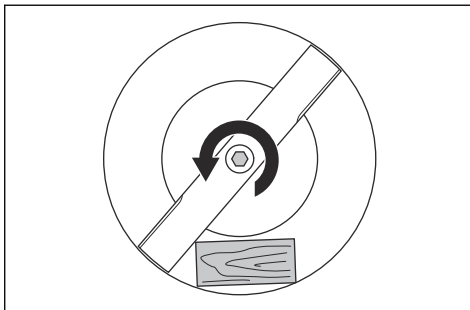
## Sådan udskiftes kniven

Se *Tekniske data på side 98* for at finde oplysninger om den korrekte type smørefedt.

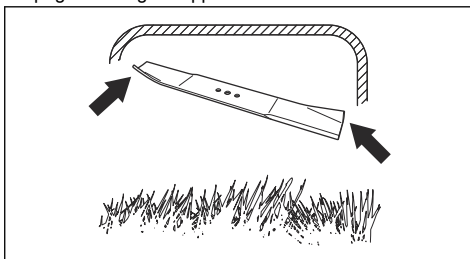


**ADVARSEL:** Lås kniven med en træklods for at forhindre skader på fingrene, når du udskifter kniven. Kniven kan bevæge sig, når motoren er slukket, og fingrene kan komme i klemme mellem kniven og de stationære dele.

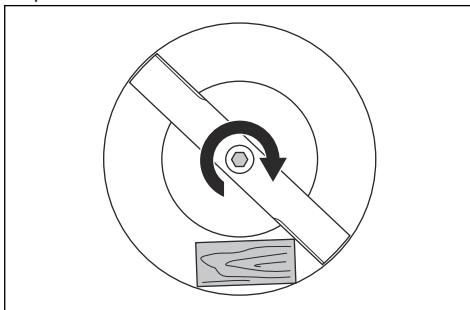
1. Lås kniven med en træklods.



2. Fjern klinge-bolten.
3. Fjern kniven.
4. Efterses knivophæng og knivbolt for at se, om der er skader.
5. Efterses motorakslens for at sikre, at den ikke er bøjet.
6. Når du sætter den nye kniv på, skal knivens spidser pege i retning af klippebordet.



7. Sørg for, at klingens flugter med motorakslens centrum.
8. Lås kniven med en træklods. Monter fjederskiven, og spænd boltens og skivens med et tilspændingsmoment på 23-28 Nm.



9. Træk kniven rundt pr. håndkraft, og kontrollér, at den drejer frit.



**ADVARSEL:** Brug sikkerhedshandsker. Kniven er meget

skarp, og du kan nemt komme til at skære dig.

10. Start produktet for at afprøve kniven. Hvis kniven ikke er korrekt fastgjort, forekommer der vibrationer i produktet, eller klipperesultatet bliver utilfredsstillende.

---

## Fejlfinding

---

### Batteri

LED på batteriet	Årsag	Løsning
Den grønne LED blinker.	Batterispændingen er lav.	Oplad batteri. Se <i>Sådan oplades batteriet på side 89</i> .
Fejl-LED'en blinker.	Batteriet er svagt.	Oplad batteri. Se <i>Sådan oplades batteriet på side 89</i> .
	Temperaturen i arbejdsmiljøet er for høj eller for lav.	Brug batteriet i temperaturer mellem 5 °C og 40 °C.
	Overspænding.	Sørg for, at netspændingen er den samme som på typeskiltet på produktet. Fjern batteriet fra batteriopladeren. Vent 5 sekunder, og prøv igen for at oplade batteriet. Hvis problemet fortsætter, skal du kontakte et autoriseret serviceværksted.
Fejl-LED'en er tændt.	Celleforskellen er for stor (1 V).	Kontakt et godkendt serviceværksted.

### Batterioplader

LED på batteriopladeren.	Årsag	Løsning
Fejl-LED'en blinker.	Temperaturen i arbejdsmiljøet er for høj eller for lav.	Brug batteriopladeren i temperaturer mellem 5 °C og 40 °C.
Fejl-LED'en er tændt.		Kontakt et godkendt serviceværksted.

### Plæneklipper

Advarselsindikatoren (fejl-LED) findes under batterilåget ((LC 247i)) eller på betjeningspanelet ((LC 347iVX, LC 353iVX)).

Problem	Fejl-LED (antal blink)	Årsag	Løsning
Fejl-LED blinker. Produktet fungerer ikke korrekt.	3	Klingen er blokeret.	Drej sikkerhedsnøglen til 0 for at forhindre utilsigtet start. Tag batteriet ud, og vent mindst 5 sekunder. Fjern eventuelle forhindringer, og sørg for, at klingen kan rotere frit. Hvis problemet fortsætter, skal du kontakte et autoriseret serviceværksted.
	5	Motoromdrejningstallet falder for meget, og motoren standser.	Øg klippehøjden. Se <i>Sådan indstilles klippehøjden på side 88</i> .
	6 <sup>13</sup>	Hjulene eller transmissionen er blokeret.	Drej sikkerhedsnøglen til 0 for at forhindre utilsigtet start. Tag batteriet ud, og vent mindst 5 sekunder. Fjern eventuelle forhindringer, og sørg for, at hjulene kan rotere frit. Hvis problemet fortsætter, skal du kontakte et autoriseret serviceværksted.
	10	Kontrolenheden til motoren er for varm.	Stand motoren, og vent, indtil den er blevet kold.
Fejl-LED blinker. Produktet standser.	0	Fejl ved batteristik.	Efterse batteristikket.
	3	Der er overbelastning i motoren.	Øg klippehøjden. Se <i>Sådan indstilles klippehøjden på side 88</i> .
	8	Batteriet er svagt.	Oplad batteri. Se <i>Sådan oplades batteriet på side 89</i> .
	9	Batterifejl eller intet signal fra batteri.	Isæt batteriet korrekt i produktet, og efterse batteristikket. Hvis fejl-LED'en på batteriet blinker. Se <i>Batteri på side 95</i> .
	12	Forkert startprocedure. Motorbremsehåndtaget er blevet aktiveret, før motoren starter.	Slip motorbremsehåndtaget, og vent ca. 5 sekunder. Tryk motorbremsehåndtaget ned igen for at starte produktet.
Andre fejl.	Hvis der opstår andre fejl, skal du dreje tændingsnøglen til 0, afmontere batteriet og kontakte et godkendt serviceværksted.		

## Transport, opbevaring og bortskaffelse

### Indledning



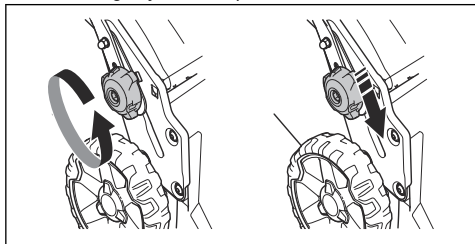
**ADVARSEL:** For at undgå utilsigtet start under transport, skal du dreje sikkerhedsnøglen til 0, fjerne batteriet og vente i mindst 5 sekunder.

### Sådan sættes produktet i transportposition

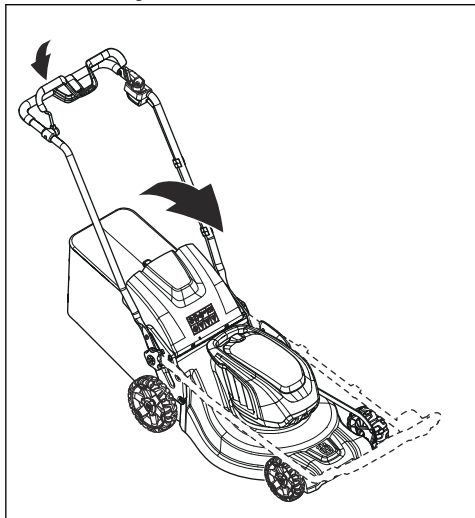
1. Løsn de nederste skruelhåndtag.

<sup>13</sup> LC 347iVX, LC353iVX

2. Flyt grebene til den nederste ende af rillerne på venstre og højre side af produktet.



3. Fold håndtaget fremad.



4. Fjern græsopsamleren.

## Transport

- Lovkravene om farligt gods gælder for de indeholdte li-ion-batterier.
- Ved kommerciel transport skal særlige krav vedrørende emballering og mærkning overholdes.
- Sørg for at overholde bestemmelserne for farligt materiale, når du klargør produktet til transport. Lokale bestemmelser kan være gældende.
- Fjern altid batteriet ved transport.
- Sæt tape på batteristikkene, og sørg for, at batteriet ikke kan rykke sig under transporten.
- Fastspænd produktet under transport.

## Opbevaring

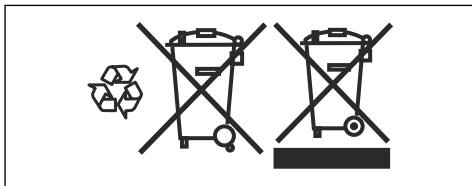
- Lad produktet køle af før opbevaring.
- Fjern altid batteriet ved opbevaring.

- For at forhindre ulykker, skal du sørge for, at batteriet ikke er tilsluttet produktet under opbevaring.
- Opbevar batteriopladeren et lukket og tørt sted.
- Opbevar batteriet og batteriopladeren et tørt sted, hvor der ikke er fugt eller frost.
- Afbryd forbindelsen mellem batteriet og batteriopladeren under opbevaring.
- Batteriet må ikke opbevares, hvor der kan forekomme statisk elektricitet. Opbevar ikke batteriet i en metalkasse.
- Opbevar produktet på et sted, hvor omgivelsestemperaturen er mellem  $-10\text{ }^{\circ}\text{C}$  og  $40\text{ }^{\circ}\text{C}$ .
- Opbevar batteriet ved omgivelsestemperaturer mellem  $5\text{ }^{\circ}\text{C}$  og  $25\text{ }^{\circ}\text{C}$  og væk fra sollys.
- Opbevar batteriopladerne ved omgivelsestemperaturer mellem  $5\text{ }^{\circ}\text{C}$  og  $45\text{ }^{\circ}\text{C}$  og væk fra sollys.
- Sørg for, at batteriet er ladet op til 30 % - 50 %, før du sætter det til opbevaring i længere tid.
- Opbevar produktet, batteriet og batteriopladeren et låst sted, der er utilgængeligt for børn og ikke-godkendte personer.
- Rengør produktet, og sørg for, at græsopsamleren er tom.
- Foretag den form for vedligeholdelse, der er beskrevet i denne brugervejledning. Se *Vedligeholdelse på side 93*.
- Udfør fuld service, før du sætter produktet til opbevaring i længere tid.

## Bortskaffelse

Symbolerne på produktet eller emballagen angiver, at produktet ikke må behandles som almindeligt husholdningsaffald. Det skal afleveres til en passende genbrugsstation med henblik på genvinding af elektrisk og elektronisk udstyr.

Hvis du sørger for, at dette produkt håndteres korrekt, kan du være med til at modvirke potentielle negative indvirkninger på mennesker og miljø, som ellers kan være et resultat af fejlagtig affaldshåndtering i forbindelse med dette produkt. Nærmere oplysninger om genanvendelse af dette produkt fås hos kommunen, det lokale renovationselskab eller forretningen, hvor produktet er købt.



## Tekniske data

### Tekniske data

	LC 247i	LC 347iVX	LC 353iVX
<b>Klippemotor</b>			
Motorstype	BLDC (børsteløs) 36 V	BLDC (børsteløs) 36 V	BLDC (børsteløs) 36 V
Motoromdrejningstal - SavE, o/min.	2600/min.	2600/min.	2600/min.
Motoromdrejningstal - nominelt, o/min.	3000/min.	3000/min.	3000/min.
Motoromdrejningstal - høj belastning, o/min.	3500/min.	3500/min.	3500/min.
Motoreffekt - maks. kW	0,96	0,96	1,05
Motoreffekt - nominel, kW	0,75	0,75	0,9
<b>Køremotor</b>			
Motoreffekt - nominel, kW	N/A	0,25	0,25
Selvkørende hastighed, km/t	N/A	3,0-4,5	3,0-4,5
Justering af hastighedsniveauer	N/A	4	4
<b>Vægt</b>			
Vægt uden pose (ekskl. batteri), kg	24,5	26	28
Vægt med pose (inkl. 2 x BLi30), kg	30,5	32,0	34,5
<b>Batteri</b>			
Batteritype	Husqvarna Batteriserie		
<b>Batteriets driftstid</b>			
Batteriets driftstid, min. (friløb) med SavE aktiveret, med et 7,7 Ah Husqvarna-batteri (BLi30).	62	62	46
Batteriets driftstid, min. (friløb) med standardtilstand aktiveret, med et 7,7 Ah Husqvarna-batteri (BLi30).	43	43	28
<b>Støjmissioner</b> <sup>14</sup>			
Lydeffektniveau, målt dB (A)	94	94	97
Lydeffektniveau, garanteret L <sub>WA</sub> dB (A)	95	95	98
<b>Lydniveauer</b> <sup>15</sup>			
Lydtryksniveau ved brugerens øre, dB (A)	82	82	86
<b>Vibrationsniveauer</b> <sup>16</sup>			

<sup>14</sup> Støjmissioner til omgivelserne målt som lydeffekt (L<sub>WA</sub>) i henhold til EF-direktiv 2000/14/EF.

<sup>15</sup> Rapporterede data for lydtryksniveau har en usikkerhedsfaktor (K) på 1,5 dB(A).

<sup>16</sup> Rapporterede data for vibrationsniveau har en usikkerhedsfaktor (K) på 1,5 m/s<sup>2</sup>. Den angivne samlede vibrationsværdi er målt i henhold til standard EN 62841-4-3, bilag I, og kan anvendes til at sammenligne en maskine med en anden og i en indledende vurdering af udsættelse for vibrationer.

	LC 247i	LC 347IVX	LC 353IVX
Styr, m/s <sup>2</sup>	0,42	0,42	2,64
<b>Klippeudstyr</b>			
Klippehøjde, mm	20-75 mm	20-75 mm	20-75 mm
Klippebredde, cm	47	47	53
Klingestandard	Opsamling 5905934-10	Opsamling 5905934-10	Opsamling 5940757-10
Knivtilbehør	Findeling 5907010-10	Findeling 5907010-10	Findeling 5950072-10
Græsopsamlerens kapacitet, liter	55	55	60

Radiofrekvensdata for Bluetooth®	LC 247i	LC 347IVX	LC 353IVX
Frekvensbåndet, GHz	N/A	2,4-2,4835	2,4-2,4835
Udgangseffekt, maks. dBm	N/A	4	4

Godkendte batterier	Type	Batterikapacitet, Ah	Spænding, V	Vægt, lb/kg
BLi20	Lithiumion	4,0	36	2,6/1,2
BLi30	Lithiumion	7,7	36	4,2/1,9

Godkendte opladere til de angivne batterier, BLI	Indgangsspænding, V	Frekvens, Hz	Effekt, watt
QC80	100-240	50-60	80
40-C80	100-240	50-60	68,8
QC250	100-240	50-60	250

# Overensstemmelseserklæring

## EU-overensstemmelseserklæring

Vi, **Husqvarna AB**, SE-561 82 Huskvarna, Sverige,  
tif.: +46-36-146500 erklærer under eneansvar, at det  
pågældende produkt:

<b>Beskrivelse</b>	Plæneklipper
<b>Varemærke</b>	Husqvarna
<b>Type / model</b>	LC 247i
<b>Identifikation</b>	Serienumrene fra 2021 og fremefter

overholder følgende EU-direktiver og bestemmelser:

<b>Direktiv/bestemmelser</b>	<b>Beskrivelse</b>
2006/42/EC	"vedrørende maskiner"
2014/30/EU	"vedrørende elektromagnetisk kompatibilitet"
2000/14/EF	"vedrørende støjmissioner til omgivelserne"
2011/65/EU	"om begrænsning af anvendelsen af visse farlige stoffer i elektrisk og elektronisk udstyr"

og at følgende standarder og/eller tekniske  
specifikationer anvendes: EN 62841-1:2015+AC:2015,  
EN 62841-4-3:2021+A11:2021, EN ISO 12100:2010,  
EN 55014-1:2017+A11:2020, EN 55014-2:2015, EN IEC  
63000:2018.

Udpeget organ: 0404 RISE SMP Svensk  
Maskinprovning AB, Box 7035, SE-750 07  
Uppsala har bekræftet, at bestemmelserne  
i Rådets direktiv 2000/14/EF, procedure for  
overensstemmelsesvurdering: Bilag VI.

Se *Tekniske data på side 98* vedr. oplysninger om  
støjmission.

Huskvarna, 2021-12-01



Claes Losdal, udviklingschef/haveprodukter, Husqvarna  
AB

Ansvarlig for teknisk dokumentation





# EU-overensstemmelseserklæring

Vi, **Husqvarna AB**, SE-561 82 Huskvarna, Sverige, tlf.: +46-36-146500 erklærer under eneansvar, at det pågældende produkt:

<b>Beskrivelse</b>	Plæneklipper
<b>Varemærke</b>	Husqvarna
<b>Type / model</b>	LC 347iVX, LC 353iVX
<b>Identifikation</b>	Serienumrene fra 2021-12-01 og fremefter

overholder følgende EU-direktiver og bestemmelser:

Direktiv/bestemmelser	Beskrivelse
2006/42/EC	"vedrørende maskiner"
2014/53/EU	"vedrørende radioudstyr"
2000/14/EF	"vedrørende støjmissioner til omgivelserne"
2011/65/EU	"om begrænsning af anvendelsen af visse farlige stoffer i elektrisk og elektronisk udstyr"

og at følgende standarder og/eller tekniske specifikationer anvendes: EN 62841-1:2015+AC:2015, EN 62841-4-3:2021+A11:2021, EN ISO 12100:2010, EN 55014-1:2017+A11:2020, EN 55014-2:2015, EN IEC 63000:2018, EN ETSI 300 328 v.2.2.2, EN 50663: 2017, ETSI EN 301 489-1 V2.2.3, ETSI EN 301 489-17 V3.2.4.

Udpeget organ: 0404 RISE SMP Svensk Maskinprovning AB, Box 7035, SE-750 07 Uppsala har bekræftet, at bestemmelserne i Rådets direktiv 2000/14/EF, procedure for overensstemmelsesvurdering: Bilag VI.

Se *Tekniske data på side 98* vedr. oplysninger om støjmission.

Huskvarna, 2021-12-01



Claes Losdal, udviklingschef/haveprodukter, Husqvarna AB

Ansvarlig for teknisk dokumentation



---

## Registrerede varemærker

---

*Bluetooth*<sup>®</sup>-navnet og -logoerne er registrerede varemærker tilhørende *Bluetooth SIG, inc.*, og al Husqvarnas brug deraf sker på licens.

---

## Inhalt

---

Einleitung.....	102	Fehlerbehebung.....	121
Sicherheit.....	104	Transport, Lagerung und Entsorgung.....	123
Montage.....	111	Technische Angaben.....	124
Betrieb.....	112	Konformitätserklärung.....	127
Wartung.....	119	Eingetragene Marken.....	128

---

## Einleitung

---

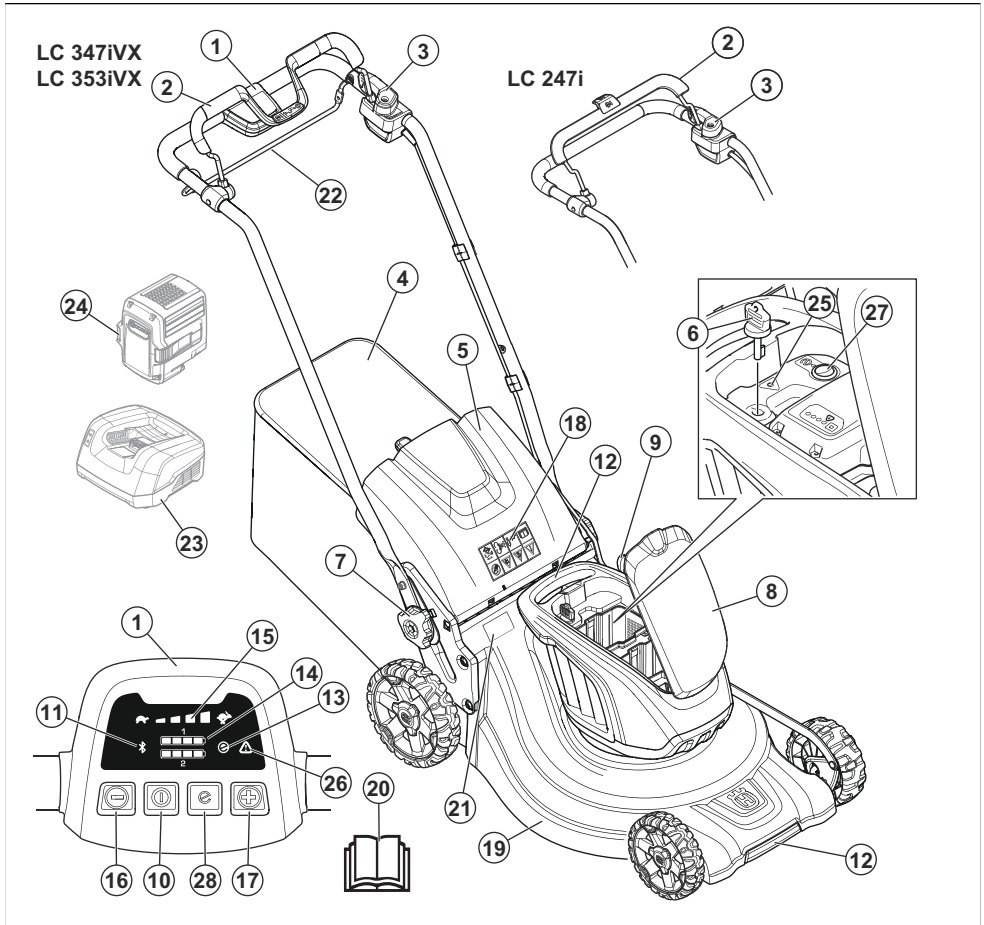
### Produktbeschreibung

Das Produkt ist ein handgeführter Rasenmäher. Das Gras wird in einem Grasfänger gesammelt. Entfernen Sie den Grasfänger, um an den Heckauswurf des Grases zu gelangen. Befestigen Sie ein Mulch-Kit (Zubehör), um das Gras in Dünger zu schneiden.

### Verwendungszweck

Verwenden Sie das Gerät zum Schneiden von Gras.  
Verwenden Sie das Gerät nicht für andere Aufgaben.

## Geräteübersicht



- |   |  |
|---|--|
| 1. Bedientafel (LC 347iVX, LC 353iVX)                             | 16. Taste Drehzahl verringern (LC 347iVX, LC 353iVX) |
| 2. Motorbremsgriff  | 17. Taste Drehzahl erhöhen (LC 347iVX, LC 353iVX)    |
| 3. Startsperr   | 18. Symbole  |
| 4. Grasfänger   | 19. Schneidwerkabdeckung                             |
| 5. Hintere Abdeckung  | 20. Bedienungsanleitung                              |
| 6. Sicherheitsschlüssel   | 21. Typenschild                                      |
| 7. Griffknopf   | 22. Antriebsgriff (LC 347iVX, LC 353iVX)             |
| 8. Akkugehäuse  | 23. Akkuladegerät (Zubehör)                          |
| 9. Schnitthöhenregelung   | 24. Akku (Zubehör)                                   |
| 10. ON/OFF-Taste  | 25. Störungs-LED (LC 247i)                           |
| 11. Anzeige für <i>Bluetooth</i> <sup>®</sup> Drahtlostechnologie | 26. Störungs-LED (LC 347iVX, LC 353iVX)              |
| 12. Hebegriffe  | 27. SavE-Taste (LC 247i)                             |
| 13. SavE-Anzeige  | 28. SavE-Taste (LC 347iVX, LC 353iVX)                |
| 14. Akkuanzeige   |  |
| 15. Geschwindigkeitsanzeige (LC 347iVX, LC 353iVX)                |  |

## Symbole auf dem Gerät



WARNUNG



Lesen Sie die Anweisungen.



WARNUNG: Achten Sie auf hochgeschleuderte Gegenstände.



Zuschauer sollten einen Sicherheitsabstand einhalten.



WARNUNG: Halten Sie Hände und Füße von den Messern fern.



WARNUNG: Trennen Sie vor der Wartung den Akku.



Das Gerät und die Verpackung des Geräts dürfen nicht über den Hausmüll entsorgt werden. Recyceln Sie es an einer Recyclingstation für elektrische und elektronische Geräte.



Dieses Gerät stimmt mit den geltenden EG-Richtlinien überein.



Geräuschemissionen an die Umwelt gemäß EU- und UK-Richtlinien und -Vorschriften. Der garantierte Schalleistungspegel des Geräts ist unter *Technische Angaben auf Seite 124* und auf dem Etikett angegeben.

## IPX1

Das Gerät ist tropfgeschützt.



Lassen Sie den Motorbremsgriff los, um den Motor zu stoppen.



Scanbarer Code

**Hinweis:** Sonstige Symbole/Aufkleber auf dem Gerät beziehen sich auf Zertifizierungsanforderungen, die in einigen Märkten gelten.

## Etikett auf dem Gerät



GEFAHR: Halten Sie mit Händen und Füßen sicheren Abstand.

## Produkthaftung

Im Sinne der Produkthaftungsgesetze übernehmen wir keine Haftung für Schäden, die unser Gerät verursacht, wenn...

- das Gerät nicht ordnungsgemäß repariert wird.
- das Gerät mit Teilen repariert wird, die nicht vom Hersteller stammen oder nicht vom Hersteller zugelassen sind.
- ein Zubehörteil mit dem Gerät verwendet wird, das nicht vom Hersteller stammt oder nicht vom Hersteller zugelassen ist.
- das Gerät nicht bei einem zugelassenen Service Center oder von einem zugelassenen Fachmann repariert wird.

## Sicherheit

### Sicherheitsdefinitionen

Warnungen, Vorsichtsmaßnahmen und Hinweise werden verwendet, um auf besonders wichtige Teile der Bedienungsanleitung hinzuweisen.



**WARNUNG:** Wird verwendet, wenn bei Nichtbeachtung der Anweisungen in diesem Handbuch die Gefahr von Verletzung oder

Tod des Bedieners oder anderer Personen besteht.



**ACHTUNG:** Wird verwendet, wenn bei Nichtbeachtung der Anweisungen in diesem Handbuch die Gefahr von Schäden am Gerät, an anderen Materialien oder in der Umgebung besteht.

**Hinweis:** Für weitere Informationen, die in bestimmten Situationen nötig sind.

## Allgemeine Sicherheitshinweise zum Gerät



**WARNUNG:** Beachten Sie alle für das Gerät vorgesehenen Sicherheitshinweise, Anleitungen, Abbildungen und technischen Daten. Wenn Sie die unten stehenden Anweisungen nicht befolgen, kann dies zu elektrischen Schlägen, Brand und/oder schweren Verletzungen führen.

Bewahren Sie alle Warnhinweise und Anweisungen für spätere Referenzzwecke auf. Die Bezeichnung „Gerät“ in den Warnhinweisen bezieht sich auf ein Gerät mit Netzbetrieb (über ein Kabel) oder Akkubetrieb (kabellos).

### Sicherheit im Arbeitsbereich

- **Sorgen Sie für einen sauberen und gut ausgeleuchteten Arbeitsbereich.** Durch zugestellte oder dunkle Arbeitsbereiche steigt die Unfallgefahr stark an.
- **Betreiben Sie das Gerät niemals an Orten, an denen Explosionsgefahr besteht, z. B. in der Nähe von leicht entzündlichen Flüssigkeiten, Gasen oder Staubansammlungen.** Bei der Arbeit mit dem Gerät kann es zu Funkenbildung kommen, wodurch sich Stäube oder Dämpfe entzünden können.
- **Sorgen Sie bei der Arbeit mit dem Gerät dafür, dass sich keine Kinder oder unbefugte Personen in der Nähe befinden.** Durch Ablenkungen können Sie die Kontrolle über das Werkzeug verlieren.

### Elektrische Sicherheit

- **Die Netzstecker des Geräts müssen zur Steckdose passen. Der Netzstecker darf in keiner Weise verändert werden. Verwenden Sie bei Geräten mit Schutzkontakt (geerdet) niemals Adapterstecker.** Nicht modifizierte Stecker und Steckdosen reduzieren das Risiko eines Elektroschocks.
- **Vermeiden Sie Körperkontakt mit geerdeten Gegenständen wie Rohrleitungen, Heizungen, Herden oder Kühlschränken.** Bei Körperkontakt mit geerdeten Gegenständen besteht ein erhöhtes Stromschlagrisiko.

- **Setzen Sie das Gerät weder Regen noch Feuchtigkeit aus.** Wenn Wasser in das Gerät eindringt, erhöht sich das Stromschlagrisiko.
- **Verwenden Sie das Anschlusskabel nicht missbräuchlich. Verwenden Sie das Anschlusskabel niemals zum Tragen oder Heranziehen des Geräts, und ziehen Sie den Stecker nicht am Anschlusskabel aus der Steckdose. Halten Sie das Kabel fern von Hitzequellen, Öl, scharfen Kanten und beweglichen Teilen.** Beschädigte oder verdrehte Anschlusskabel erhöhen das Stromschlagrisiko.
- **Wenn Sie das Gerät im Freien benutzen, verwenden Sie ein für den Außeneinsatz geeignetes Verlängerungskabel.** Die Verwendung eines für den Außeneinsatz geeigneten Kabels verringert das Risiko eines elektrischen Schlags.
- **Falls der Einsatz des Geräts in einer feuchten Umgebung nicht zu vermeiden ist, benutzen Sie eine Stromversorgung mit FI-Schutzschalter (RCD).** Die Verwendung eines FI-Schutzschalters verringert das Risiko eines Stromschlags.

### Persönliche Sicherheit

- **Blieben Sie aufmerksam, achten Sie auf das, was Sie tun, und setzen Sie Ihren gesunden Menschenverstand ein, wenn Sie mit dem Gerät arbeiten. Verwenden Sie das Gerät nicht, wenn Sie müde sind oder unter dem Einfluss von Drogen, Alkohol oder Medikamenten stehen.** Bei der Arbeit mit dem Gerät können bereits kurze Phasen der Unaufmerksamkeit zu schweren Verletzungen führen.
- **Tragen Sie eine persönliche Schutzausrüstung. Tragen Sie stets einen Augenschutz.** Schutzausrüstung wie Atemschutzmaske, rutschsichere Sicherheitsschuhe, Schutzhelm und Gehörschutz senkt bei angemessenem Einsatz das Verletzungsrisiko.
- **Vermeiden Sie ein versehentliches Starten. Achten Sie darauf, dass sich der Schalter in der AUS-Stellung befindet, bevor Sie das Gerät an die Stromversorgung und/oder den Akku anschließen oder es hochheben oder herumtragen.** Durch Herumtragen des Geräts mit dem Finger am Schalter bzw. das Einstecken des Steckers bei betätigtem Schalter erhöht sich das Unfallrisiko.
- **Entfernen Sie sämtliche Einstellschlüssel, bevor Sie das Gerät einschalten.** Ein an einem beweglichen Teil des Geräts angebrachter Schlüssel kann zu Verletzungen führen.
- **Arbeiten Sie nicht über die normale Reichweite hinaus. Achten Sie jederzeit darauf, sicher zu stehen und das Gleichgewicht zu bewahren.** Dadurch haben Sie das Gerät in unerwarteten Situationen besser im Griff.
- **Kleiden Sie sich richtig. Tragen Sie niemals lose sitzende Kleidung oder Schmuck. Halten Sie Haar und Kleidung von beweglichen Teilen fern.** Lose sitzende Kleidung, Schmuck oder langes Haar kann von beweglichen Teilen erfasst werden.

- **Wenn Anschlüsse für Staubabsaug- und Staubsammelvorrichtungen vorhanden sind, sorgen Sie dafür, dass diese richtig angeschlossen und eingesetzt werden.** Die Verwendung von Staubsammelvorrichtungen kann staubbedingte Gefahren verringern.
- **Auch wenn Sie durch häufige Verwendung bestens mit dem Gerät vertraut sind, dürfen Sie keinesfalls nachlässig werden und die Sicherheitsgrundsätze ignorieren.** Eine achtlose Handlung kann im Bruchteil einer Sekunde zu schweren Verletzungen führen.

## Produktverwendung und -pflege

- **Wenden Sie keine Gewalt an. Beschränken Sie sich für Ihren Einsatz auf das korrekte Gerät.** Das korrekte Gerät wird die Aufgabe besser und sicherer und mit der Leistung ausführen, für die es ausgelegt ist.
- **Benutzen Sie das Gerät nicht, wenn es sich nicht am Schalter ein- und ausschalten lässt.** Jedes Gerät, das nicht mit dem Schalter betätigt werden kann, stellt eine Gefahr dar und muss repariert werden.
- **Trennen Sie das Gerät von der Stromversorgung bzw. entfernen Sie den Akku, bevor Sie Einstellungen vornehmen, Zubehörteile austauschen oder das Gerät verstauen.** Mit diesen Präventivmaßnahmen reduzieren Sie das Risiko eines versehentlichen unkontrollierten Starts des Gerätes.
- **Lagern Sie nicht benutzte Geräte außerhalb der Reichweite von Kindern, und lassen Sie nicht zu, dass Personen das Gerät bedienen, die nicht mit dem Gerät selbst und/oder diesen Anweisungen vertraut sind.** Die Geräte stellen in ungeschulten Händen eine Gefahr dar.
- **Pflegen Sie das Gerät und das Zubehör.** Prüfen Sie, ob bewegliche Teile falsch eingestellt sind oder klemmen und ob Teile gebrochen oder so weit beschädigt sind, dass der sichere Betrieb des Geräts beeinträchtigt werden kann. Bei Beschädigungen lassen Sie das Gerät reparieren, bevor Sie es benutzen. Viele Unfälle sind auf schlechte Geräterwartung zurückzuführen.
- **Halten Sie Schneidwerkzeuge scharf und sauber.** Ordnungsgemäß gewartete Schneidwerkzeuge mit scharfen Schneidkanten bleiben seltener hängen und sind einfacher zu bedienen.
- **Benutzen Sie das Gerät, Zubehör, Werkzeugspitzen und Ähnliches in Übereinstimmung mit diesen Anweisungen und auf die für das jeweilige Elektrowerkzeug bestimmungsgemäße Weise und beachten Sie dabei die jeweiligen Arbeitsbedingungen und die Art der auszuführenden Arbeiten.** Der Einsatz des Geräts für bestimmungswidrige Zwecke kann zu Gefahrensituationen führen.
- **Halten Sie die Handgriffe und Griffflächen trocken, sauber und frei von Öl und Fett.** Wenn Handgriffe und Griffflächen rutschig sind, kann das Gerät in

unerwarteten Situationen nicht sicher bedient und kontrolliert werden.

## Service

- **Lassen Sie Ihr Gerät von einem qualifizierten Fachmann reparieren, und bestehen Sie darauf, dass nur Originalersatzteile verwendet werden.** Auf diese Weise wird die Sicherheit des Geräts nicht beeinträchtigt.
- **Warten Sie niemals beschädigte Akkus.** Akkus dürfen nur vom Hersteller oder von autorisierten Serviceanbietern gewartet werden.

## Verwendung und Pflege von akkubetriebenen Werkzeugen

- **Eine Aufladung darf nur mit dem vom Hersteller vorgeschriebenen Ladegerät durchgeführt werden.** Durch ein für einen bestimmten Akkutyp geeignetes Ladegerät kann Brandgefahr entstehen, wenn es für einen anderen Akku verwendet wird.
- **Verwenden Sie Geräte nur mit speziell für sie ausgezeichneten Akkus.** Die Verwendung anderer Akkus kann zu Verletzungs- und Brandgefahr führen.
- **Wird der Akku nicht verwendet, halten Sie ihn von Metallgegenständen wie Büroklammern, Münzen, Schlüsseln, Nägeln, Schrauben oder anderen kleineren Metallobjekten fern, da es zu einer Überbrückung der Kontakte kommen könnte.** Durch Kurzschluss der Akkuklemmen kann es zu Verbrennungen oder Bränden kommen.
- **Unter missbräuchlichen Bedingungen kann Flüssigkeit aus dem Akku austreten; vermeiden Sie Kontakt damit. Bei versehentlichem Hautkontakt sofort mit Wasser abspülen. Sollten Ihre Augen damit in Berührung gekommen sein, suchen Sie sofort ärztliche Hilfe auf.** Durch austretende Flüssigkeit aus dem Akku kann es zu Reizungen oder Verbrennungen kommen.
- **Verwenden Sie keinen Akku und kein Werkzeug, der bzw. das defekt ist oder modifiziert wurde.** Beschädigte oder modifizierte Akkus können ein unvorhersehbares Verhalten aufweisen, welches zu Feuer, Explosionen oder Verletzungsgefahren führen kann.
- **Setzen Sie Akku oder Werkzeug niemals Feuer oder sehr hohen Temperatur aus.** Feuer oder Temperaturen über 130 °C/265 F können zu einer Explosion führen.
- **Befolgen Sie die Ladeanweisungen und laden Sie den Akku oder das Werkzeug niemals bei Temperaturen außerhalb des in der Anleitung angegebenen Temperaturbereichen auf.** Unsachgemäßes Aufladen oder Aufladen bei Temperaturen außerhalb des angegebenen Bereichs kann den Akku beschädigen und die Brandgefahr erhöhen.

## Sicherheitshinweise zu Rasenmähern

- **Verwenden Sie den Rasenmäher nicht bei schlechten Wetterverhältnissen, insbesondere dann, wenn das Risiko eines Blitzeinschlags besteht.** Dadurch wird die Gefahr eines Blitzschlags reduziert.
- **Untersuchen Sie den Bereich, in dem der Rasenmäher eingesetzt werden soll, sorgfältig auf Tiere.** Tiere können im Betrieb durch den Rasenmäher verletzt werden.
- **Inspizieren Sie sorgfältig das Gelände, in dem der Rasenmäher eingesetzt werden soll, und entfernen Sie alle losen Gegenstände wie Steine, Stöcke, Kabel, Knochen und sonstige Fremdoobjekte.** Aufgeschleuderte Gegenstände können schwere Verletzungen verursachen.
- **Bevor Sie den Rasenmäher verwenden, stellen Sie sicher, dass Messer und Messereinheit nicht abgenutzt oder beschädigt sind.** Abgenutzte oder beschädigte Teile erhöhen das Verletzungsrisiko.
- **Überprüfen Sie Netzkabel und Verlängerungskabel vor dem Gebrauch auf Anzeichen von Beschädigung und Alterung. Verwenden Sie den Rasenmäher nicht, wenn das Kabel beschädigt oder abgenutzt ist. Wenn das Kabel im Betrieb beschädigt oder verschlissen wird, schalten Sie den Rasenmäher aus, und berühren Sie das Kabel erst, nachdem Sie es von der Stromversorgung getrennt haben.** Ein beschädigtes Netz- oder Verlängerungskabel kann zu Stromschlag, Feuer und/oder schweren Verletzungen führen.
- **Überprüfen Sie den Grasfänger regelmäßig auf Verschleiß und abnehmende Leistung.** Ein abgenutzter oder beschädigter Grasfänger kann das Risiko von Verletzungen erhöhen.
- **Nehmen Sie keine Veränderungen an den Schutzvorrichtungen vor. Die Schutzvorrichtungen müssen funktionstüchtig und ordnungsgemäß angebracht sein.** Eine lose, beschädigte oder nicht ordnungsgemäß funktionierende Schutzvorrichtung kann zu Verletzungen führen.
- **Halten Sie alle Kühllufteinlässe frei von Verunreinigungen.** Verstopfte Lufteinlässe und Verunreinigungen können zu Überhitzung oder Brandgefahr führen.
- **Tragen Sie beim Betrieb des Rasenmähers stets rutschfeste Sicherheitsschuhe. Bedienen Sie den Rasenmäher nicht barfuß oder mit offenen Sandalen.** Dadurch wird die Gefahr von Verletzungen an den Füßen durch Kontakt mit dem drehenden Messer verringert.
- **Tragen Sie beim Betrieb des Rasenmähers stets eine lange Hose.** Freiliegender Haut erhöht die Wahrscheinlichkeit von Verletzungen durch aufgeschleuderte Gegenstände.
- **Verwenden Sie den Rasenmäher nicht in feuchtem Gras. Gehen Sie, auf keinen Fall dürfen Sie laufen.** So reduzieren Sie die Verletzungsgefahr durch Wegrutschen und Stürze.
- **Betreiben Sie den Rasenmäher nicht an übermäßig steilen Hängen.** So reduzieren Sie die Verletzungsgefahr durch Kontrollverlust, Wegrutschen oder Stürze.
- **Achten Sie bei Arbeiten an Hängen immer auf festen Stand, arbeiten Sie immer quer statt längs zum Hang, und gehen Sie beim Richtungswechsel mit äußerster Vorsicht vor.** So reduzieren Sie die Verletzungsgefahr durch Kontrollverlust, Wegrutschen oder Stürze.
- **Lassen Sie besondere Vorsicht walten, wenn Sie den Rasenmäher rückwärts bewegen oder zum Körper ziehen. Achten Sie stets auf Ihre Umgebung.** So reduzieren Sie die Stolpergefahr im Betrieb.
- **Halten Sie das Netzkabel von den Schneidmessern fern.** Ein beschädigtes Netzkabel kann zu Stromschlag, Feuer und/oder schweren Verletzungen führen.
- **Schalten Sie das Gerät aus, und ziehen Sie den Netzstecker, wenn sich das Kabel verfangen hat oder beschädigt ist.** Ein verfangenes oder beschädigtes Kabel erhöht die Stromschlaggefahr.
- **Berühren Sie keine Messer und andere gefährliche bewegliche Teile, während diese sich noch bewegen.** So reduzieren Sie die Verletzungsgefahr durch bewegliche Teile.
- **Stellen Sie beim Beseitigen von eingeklemmtem Material oder beim Reinigen des Rasenmähers sicher, dass alle Schalter ausgeschaltet sind und das Netzkabel getrennt ist.** Ein unerwarteter Start des Rasenmähers kann zu schweren Verletzungen führen.

## Fehlerstromschutzschalter

- Verwenden Sie einen Fehlerstromschutzschalter mit einem Auslösestrom von maximal 30 mA.

## Allgemeine Sicherheitshinweise



**WARNUNG:** Lesen Sie die folgenden Warnhinweise, bevor Sie das Gerät benutzen.

- Dieses Gerät ist gefährlich, wenn es falsch bedient wird oder Sie unvorsichtig sind. Wenn die Sicherheitshinweise nicht befolgt werden, kann dies zu Verletzungen oder zum Tod führen.
- Dieses Gerät erzeugt beim Betrieb ein elektromagnetisches Feld. Dieses Feld kann sich unter bestimmten Bedingungen auf die Funktionsweise aktiver oder passiver medizinischer Implantate auswirken. Um die Gefahr von Situationen, die zu schweren oder tödlichen Verletzungen führen können, zu reduzieren, sollten Personen mit einem medizinischen Implantat vor der Nutzung dieses Geräts ihren Arzt und den Hersteller des Implantats konsultieren.
- Lassen Sie immer Vorsicht walten, und arbeiten Sie mit gesundem Menschenverstand. Wenn Sie sich nicht sicher sind, wie das Gerät in einer

bestimmten Situation zu bedienen ist, unterbrechen Sie die Arbeit und wenden sich an Ihren Husqvarna-Händler, bevor Sie fortfahren.

- Denken Sie daran, dass der Bediener für Unfälle mit anderen Personen oder deren Eigentum verantwortlich ist.
- Halten Sie das Gerät sauber. Stellen Sie sicher, dass Symbole und Aufkleber deutlich lesbar sind.
- Verhindern Sie, dass Kinder oder Personen, die mit den Anweisungen nicht vertraut sind, das Gerät benutzen. Unter Umständen gelten gesetzlich vorgeschriebene Altersbeschränkungen für den Bediener.
- Stellen Sie sicher, dass Personen mit verminderter physischer oder psychischer Leistungsfähigkeit dieses Gerät nicht unbeobachtet verwenden. Es muss immer ein verantwortlicher Erwachsener anwesend sein.
- Verwenden Sie das Gerät nicht, wenn Sie müde oder krank sind oder unter Einfluss von Alkohol, Drogen oder Medikamenten stehen. Dies wirkt sich negativ auf Ihre Sehkraft, Ihre Aufmerksamkeit sowie Ihr Koordinations- und Urteilsvermögen aus.
- Verwenden Sie das Gerät nicht, wenn es defekt ist.
- Verändern oder verwenden Sie dieses Gerät nicht, wenn die Möglichkeit besteht, dass andere es verändert haben.

## Arbeitssicherheit



**WARNUNG:** Lesen Sie die folgenden Warnhinweise, bevor Sie das Gerät benutzen.

- Verwenden Sie dieses Gerät nur zum Mähen von Rasenflächen. Es ist nicht erlaubt, das Gerät für andere Aufgaben zu verwenden.
- Tragen Sie eine persönliche Schutzausrüstung. Siehe *Persönliche Schutzausrüstung auf Seite 108*.
- Stellen Sie sicher, dass Sie wissen, wie der Motor in einem Notfall schnell gestoppt werden kann.
- Verwenden Sie das Gerät nicht im Regen oder in feuchter Umgebung. Das Risiko eines elektrischen Schlags wird erhöht, wenn Wasser in das Gerät eindringt.
- Starten Sie das Gerät nicht, bevor die Klinge und alle Abdeckungen korrekt befestigt sind. Eine falsch befestigte Klinge kann sich lösen und Verletzungen verursachen.
- Stellen Sie sicher, dass die Klinge nicht auf Gegenstände wie Steine und Wurzeln trifft. Dies kann die Klinge beschädigen und die Motorwelle verbiegen. Eine verbogene Achse führt zu starken Vibrationen und birgt ein hohes Risiko, dass die Klinge sich löst.
- Wenn die Klinge auf ein Objekt trifft oder Vibrationen auftreten, müssen Sie das Gerät sofort abstellen. Stoppen Sie den Motor, drehen Sie den Sicherheitsschlüssel auf 0 und nehmen Sie den

- Akku heraus. Warten Sie, bis die beweglichen Teile stillstehen. Das Gerät auf Beschädigungen untersuchen. Befestigen Sie alle lockeren Teile. Reparieren bzw. ersetzen Sie alle beschädigten Teile. Lassen Sie die Reparatur von einer zugelassenen Servicewerkstatt durchführen.
- Befestigen Sie den Motorbremsbügel niemals fest am Griff, wenn der Motor läuft.
- Stellen Sie das Gerät auf eine stabile, flache Oberfläche und starten Sie es. Stellen Sie sicher, dass die Klinge nicht den Boden oder ein anderes Objekt berührt.
- Bleiben Sie immer hinter dem Gerät, wenn Sie es betreiben.
- Lassen Sie alle Räder auf dem Boden bleiben, und halten Sie den Griff mit beiden Händen, wenn Sie das Gerät betreiben. Halten Sie Hände und Füße von den rotierenden Klingen fern.
- Kippen Sie das Gerät nicht, wenn Sie den Motor starten oder das Gerät betreiben.
- Seien Sie vorsichtig, wenn Sie das Gerät nach hinten ziehen.
- Heben Sie das Gerät nicht hoch, wenn der Motor läuft. Wenn Sie das Produkt anheben müssen, stoppen Sie zuerst den Motor, drehen Sie den Sicherheitsschlüssel auf 0 und nehmen Sie den Akku heraus.
- Gehen Sie nicht rückwärts, wenn Sie das Gerät betreiben.
- Stellen Sie den Motor ab, wenn das Gerät für den Transport gekippt oder auf grasfreien Flächen (z. B. Kies-, Pflaster- oder Asphaltwege) bewegt werden soll.
- Rennen Sie nicht mit dem Gerät, wenn der Motor läuft. Gehen Sie immer, wenn Sie das Gerät benutzen.
- Stellen Sie den Motor ab, bevor Sie die Schnitthöhe verändern. Verändern Sie die Einstellungen niemals, wenn der Motor läuft.
- Lassen Sie das Gerät niemals aus den Augen, wenn der Motor läuft. Stellen Sie den Motor ab und stellen Sie sicher, dass sich die Schneid-ausrüstung nicht dreht.
- Die Vibrationen des Geräts im Betrieb können von dem in *Technische Daten auf Seite 124* angegebenen Vibrationswert abweichen. Diese Abweichung entsteht durch die verschiedenen Nutzungsweisen des Geräts. Wenn Sie das Gerät häufig oder über längere Zeit betreiben, legen Sie regelmäßig Pausen ein, um Verletzungen durch Vibrationen zu vermeiden.

## Sicherheitshinweise für den Betrieb

### Persönliche Schutzausrüstung



**WARNUNG:** Lesen Sie die folgenden Warnhinweise, bevor Sie das Gerät benutzen.



- Die persönliche Schutzausrüstung kann Verletzungen nicht vollständig vermeiden, vermindert aber den Umfang der Verletzungen und Schäden bei einem Unfall. Lassen Sie sich bei der Auswahl der richtigen Ausrüstung von Ihrem Händler beraten.
- Tragen Sie rutschfeste Sicherheitsstiefel oder -schuhe. Verwenden Sie keine offenen Schuhe, und gehen Sie nicht barfuß.
- Tragen Sie schwere, lange Hosen.
- Tragen Sie bei Bedarf Schutzhandschuhe, beispielsweise bei der Montage, der Untersuchung oder der Reinigung der Schneidausrüstung.
- Wir empfehlen die Verwendung eines Gehörschutzes.

## Sicherheitsvorrichtungen am Gerät



**WARNUNG:** Lesen Sie die folgenden Warnhinweise, bevor Sie das Gerät benutzen.

- Benutzen Sie kein Gerät mit defekten Sicherheitsvorrichtungen.
- Sicherheitsvorrichtungen dürfen nicht entfernt oder verändert werden.
- Führen Sie regelmäßig eine Überprüfung der Sicherheitsvorrichtungen durch. Wenn die Sicherheitsvorrichtungen defekt sind, wenden Sie sich an Ihre Husqvarna-Servicewerkstatt.

### So überprüfen Sie den Schneidschutz

Der Schneidschutz verringert Vibrationen im Gerät und das Verletzungsrisiko durch die Klinge.

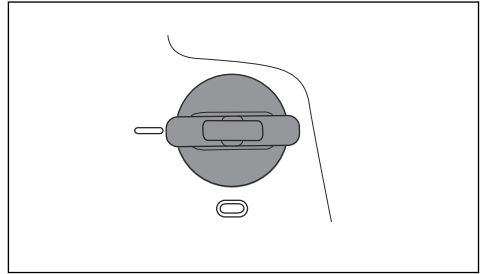
- Untersuchen Sie die Schneidewerkabdeckung, um sicherzustellen, dass es keine Beschädigungen wie zum Beispiel Risse gibt.

### So kontrollieren Sie den Sicherheitsschlüssel

Der Sicherheitsschlüssel befindet sich unter der Akkuabdeckung. Mit dem Sicherheitsschlüssel wird der Akku angeschlossen, der den Motor mit Strom versorgt.

- Starten und stoppen Sie den Motor, um den Sicherheitsschlüssel zu kontrollieren.

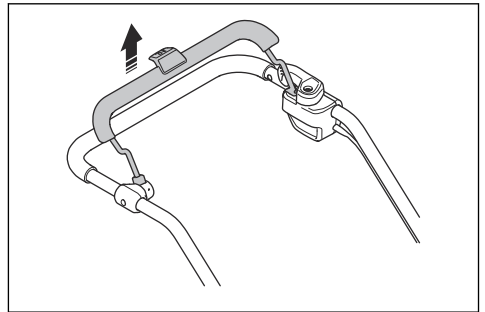
- Wenn der Sicherheitsschlüssel ordnungsgemäß funktioniert, kann der Motor nur starten, wenn der Sicherheitsschlüssel auf Position 1 steht.



### Motorbremsgriff prüfen

Der Motorbremsgriff stoppt den Motor. Wenn der Motorbremsgriff losgelassen wird, stoppt der Motor.

- Starten Sie das Gerät. Siehe *Betrieb auf Seite 112*.
- Lassen Sie den Motorbremsgriff los.



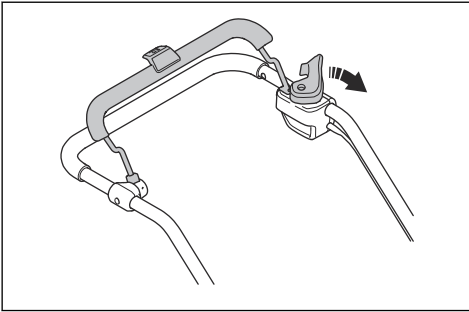
- Vergewissern Sie sich, dass das Gerät zum Stehen gekommen ist. Wenn der Motor nicht innerhalb von 3 Sekunden stoppt, lassen Sie die Motorbremse von einer autorisierten Husqvarna-Servicewerkstatt einstellen.

### Startsperre prüfen

Führen Sie eine Prüfung der Startsperre durch, um sicherzustellen, dass diese den Betrieb des Motors verhindert.

1. Drücken Sie den Motorbremsgriff in Richtung des Lenkers. Die Startsperre stoppt die Bewegung.

## 2. Drücken Sie die Startsperrle heraus.



## 3. Lösen Sie die Startsperrle, und stellen Sie sicher, dass sie sich zurück in die Ausgangsstellung bewegt.

### Sicherer Umgang mit Akkus



**WARNUNG:** Lesen Sie die folgenden Warnhinweise, bevor Sie das Gerät benutzen.

- Verwenden Sie die wiederaufladbaren Akkus von Husqvarna nur als Stromversorgung für zugehörige Husqvarna Produkte. Um Verletzungen zu vermeiden, verwenden Sie den Akku nicht zur Energieversorgung anderer Geräte.
- Verwenden Sie ausschließlich wiederaufladbare Akkus.
- Es besteht die Gefahr von elektrischen Schlägen. Verbinden Sie die Akkuklemmen nicht mit Schlüsseln, Münzen, Schrauben oder anderen metallischen Gegenständen. Dadurch kann es zu einem Kurzschluss des Akkus kommen.
- Legen Sie keine Gegenstände in die Luftschlitze des Akkus.
- Halten Sie den Akku von direkter Sonneneinstrahlung, Hitze oder offenem Feuer fern. Der Akku kann explodieren und Verbrennungen und/oder chemische Verbrennungen verursachen.
- Halten Sie den Akku von Regen und Feuchtigkeit fern.
- Halten Sie den Akku von Mikrowellen und hohem Druck fern.
- Versuchen Sie nicht, den Akku zu zerlegen oder aufzubrechen.
- Wenn aus dem Akku Flüssigkeit austritt, vermeiden Sie Haut- oder Augenkontakt mit dieser. Sollten Sie dennoch mit der Flüssigkeit in Berührung gekommen sein, reinigen Sie den Bereich mit ausreichend Wasser und suchen Sie medizinische Hilfe auf.
- Der Akku darf nur im Gerät verwendet werden, wenn die Umgebungstemperatur zwischen 5 und 40 °C liegt.
- Das Akkuladegerät darf nur verwendet werden, wenn die Umgebungstemperatur zwischen 5 und 40 °C liegt.

- Der Akku wird nicht aufgeladen, wenn die Akkutemperatur mehr als 50 °C beträgt.
- Reinigen Sie weder den Akku noch das Ladegerät mit Wasser. Siehe *So reinigen Sie den Akku und das Ladegerät auf Seite 120*.
- Verwenden Sie keine fehlerhaften oder beschädigten Akkus.
- Lagern Sie Akkus getrennt von Metallgegenständen wie Nägeln, Münzen und Schmuck.

### Sicherer Umgang mit dem Ladegerät



**WARNUNG:** Lesen Sie die folgenden Warnhinweise, bevor Sie das Gerät benutzen.

- Verwenden Sie die QC Ladegeräte nur zum Laden von Husqvarna Akkus.
- Stromschlag- oder Kurzschlussgefahr. Legen Sie keine Gegenstände in die Luftschlitze des Ladegeräts. Das Ladegerät nicht zerlegen. Verbinden Sie die Anschlüsse des Ladegeräts nicht mit Metallgegenständen. Verwenden Sie eine geprüfte Netzsteckdose.
- Dieses Gerät erzeugt beim Betrieb ein elektromagnetisches Feld. Dieses Feld kann sich unter bestimmten Bedingungen auf die Funktionsweise aktiver oder passiver medizinischer Implantate auswirken. Um die Gefahr von Situationen, die zu schweren oder tödlichen Verletzungen führen können, auszuschließen, sollten Personen mit einem medizinischen Implantat vor der Nutzung dieses Geräts ihren Arzt und den Hersteller des Implantats konsultieren.
- Prüfen Sie regelmäßig, dass das Netzkabel des Akkuladegeräts nicht beschädigt ist und dass keine Risse vorhanden sind.
- Heben Sie das Ladegerät nicht am Netzkabel an. Um das Ladegerät von der Steckdose zu trennen, ziehen Sie am Netzstecker. Ziehen Sie nicht am Netzkabel.
- Achten Sie darauf, dass Netzkabel und Verlängerungskabel nicht mit Wasser, Öl oder scharfen Kanten in Berührung kommen. Achten Sie darauf, dass die Kabel nicht in Türen, Zäunen o. ä. eingeklemmt werden. Es besteht sonst die Gefahr, dass das Ladegerät unter Strom gestellt wird.
- Reinigen Sie das Ladegerät nicht mit Wasser.
- Das Akkuladegerät kann von Kindern ab 8 Jahren sowie von Personen mit eingeschränkten physischen, sensorischen oder psychischen Fähigkeiten bzw. Personen ohne jegliche Erfahrung oder Kenntnisse verwendet werden, wenn sie beaufsichtigt werden oder ihnen die sichere Verwendung des Ladegeräts ausführlich erklärt wurde und sie sich der Gefahren bewusst sind. Kinder dürfen nicht mit dem Ladegerät spielen. Reinigung und Wartung durch den Benutzer dürfen nicht von Kindern ohne Aufsicht durchgeführt werden.

- Setzen Sie keine nicht wiederaufladbaren Akkus in das Ladegerät ein.
- Das Ladegerät darf nicht in der Nähe von entzündlichen Materialien oder Materialien, die Korrosion verursachen können, verwendet werden. Das Ladegerät darf nicht abgedeckt werden. Bei Rauchentwicklung oder Feuer muss der Stecker des Ladegeräts sofort aus der Steckdose gezogen werden.
- Verwenden Sie keine fehlerhaften oder beschädigten Ladegeräte.
- Laden Sie den Akku nur in geschlossenen Räumen an einem Ort mit guter Luftzirkulation und ohne direkte Sonneneinstrahlung. Auf keinen Fall Akkus in feuchter Umgebung laden.

## Sicherheitshinweise für die Wartung



**WARNUNG:** Lesen Sie die folgenden Warnhinweise, bevor Sie das Gerät benutzen.

- Um ein unbeabsichtigtes Starten während der Wartung zu vermeiden, drehen Sie den Sicherheitsschlüssel auf 0 und nehmen Sie den Akku heraus. Warten Sie mindestens 5 Sekunden, bevor Sie mit der Wartung beginnen.
- Führen Sie die Wartung nur gemäß dieser Betriebsanleitung durch. Größere Eingriffe und professionelle Reparaturen sind von einer zugelassenen Servicewerkstatt auszuführen. Weitere Informationen erhalten Sie von Ihrer Servicewerkstatt.
- Führen Sie die Wartungsarbeiten zur Erhöhung der Lebensdauer des Geräts und Verringerung der Unfallgefahr ordnungsgemäß aus.
- Ersetzen Sie beschädigte, abgenutzte oder defekte Teile. Verwenden Sie nur die vom Hersteller angebotenen Originalersatzteile. Andere Ersatzteile können das Gerät beschädigen und die Unfallgefahr erhöhen.
- Um Verletzungen zu vermeiden, entfernen oder verändern Sie keine Sicherheitsvorrichtungen.
- Tragen Sie beim Umgang mit der Schneidausrüstung schwere Arbeitshandschuhe. Die Klinge ist sehr scharf, und man schneidet sich sehr leicht.
- Halten Sie die Schnittkanten sauber und scharf für die beste und sicherste Leistung.
- Ihre Servicewerkstatt sollte das Gerät regelmäßig überprüfen und notwendige Einstellungen und Reparaturen vornehmen.
- Befolgen Sie die Anweisungen für das Auswechseln von Zubehörteilen. Verwenden Sie nur Zubehör vom Gerätehersteller.
- Wenn es nicht in Betrieb ist, bewahren Sie Gerät, Akku und Ladegerät getrennt an einem trockenen und abgeschlossenen Ort auf. Achten Sie darauf, dass Kinder und unbefugte Personen keinen Zugriff auf das Gerät, den Akku oder das Ladegerät haben.

## Montage

### Einleitung



**WARNUNG:** Lesen Sie das Kapitel über Sicherheit vor der Montage des Produkts.

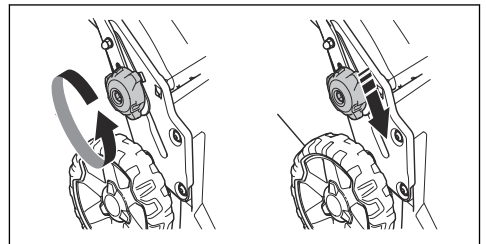


**WARNUNG:** Um ein unbeabsichtigtes Starten bei der Montage zu verhindern, drehen Sie den Sicherheitsschlüssel auf 0, entfernen Sie den Akku und warten Sie mindestens 5 Sekunden.

### So stellen Sie den Handgriff ein

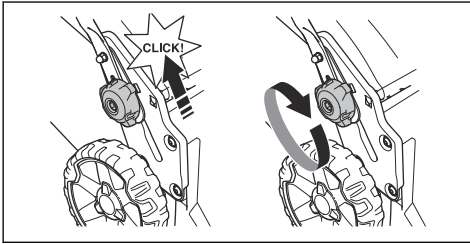
1. Lösen Sie die unteren Knöpfe.

2. Schieben Sie die Knöpfe zum unteren Ende der Nuten an der linken und rechten Seite des Geräts.



3. Stellen Sie die Höhe des Griffs in einer der 2 verfügbaren Positionen ein.

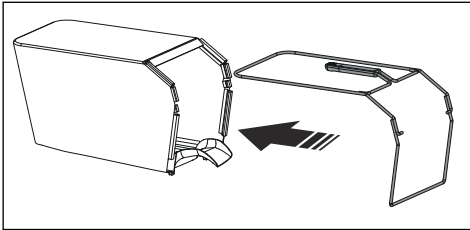
4. Bewegen Sie die Knöpfe nach oben in Richtung Griff, bis sie den Anschlag erreichen und ein Klicken zu hören ist.



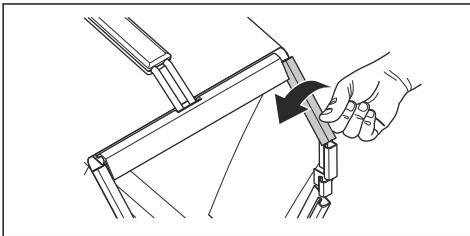
5. Ziehen Sie die Knöpfe vollständig fest.

## So montieren Sie den Grasfänger

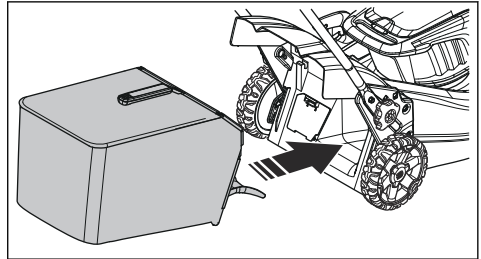
1. Befestigen Sie den Rahmen des Grasfängers am Fangbeutel, sodass der starre Teil des Beutels nach unten weist. Halten Sie den Griff des Rahmens am oberen Ende des Fangbeutels fest.



2. Setzen Sie den unteren Teil des Rahmens des Grasfängers in die Nut an der Unterseite des Grasfängers.
3. Befestigen Sie den Fangbeutel mit den Klemmen am Rahmen des Grasfängers.

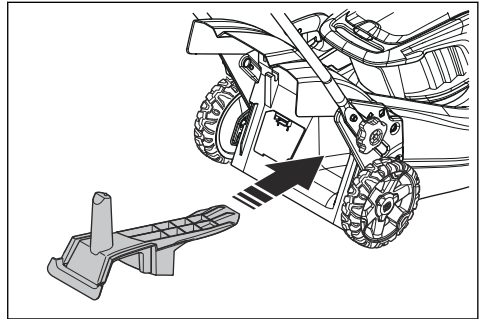


4. Heben Sie die hintere Abdeckung an.
5. Befestigen Sie den Grasfänger an der Oberkante des Chassis.
6. Setzen Sie den unteren Teil des Grasfängers in den Grasaustrittskanal.



## Montage des Mulcheinsatzes (Zubehör)

1. Heben Sie die hintere Abdeckung an, und entfernen Sie den Grasfänger.
2. Setzen Sie den Mulcheinsatz in den Austrittskanal.



3. Ersetzen Sie die Klinge mit der Mulchklinge aus dem Mulchsatz. Siehe *So tauschen Sie die Klinge aus auf Seite 120*.

## Betrieb

### Einleitung



**WARNUNG:** Vor dem Betrieb des Gerätes müssen Sie die Sicherheitsinformationen lesen und verstehen.

### Husqvarna Connect

Husqvarna Connect ist eine kostenlose App für Ihr Mobilgerät. Die Husqvarna Connect App bietet erweiterte Funktionen für Ihr Gerät:

- Erweiterte Produktinformationen
- Informationen über Produktteile und -wartung sowie entsprechende Hilfe dazu.

## Erste Verwendung von Husqvarna Connect

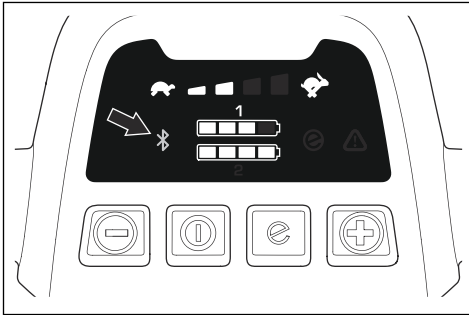
1. Laden Sie die Husqvarna Connect-App auf Ihr Mobiltelefon.
2. Anmeldung bei der Husqvarna Connect-App.
3. Befolgen Sie die Anweisungen in der Husqvarna Connect-App, um sich zu verbinden und das Gerät zu registrieren.

**Hinweis:** Die Husqvarna Connect-App ist nicht überall zum Download erhältlich. Ihr Servicehändler steht Ihnen gerne für weitere Informationen zur Verfügung.

## Bluetooth®-Informationen (LC 347iVX, LC 353iVX)

### Bluetooth® Drahtlostechnologie

Das Symbol für *Bluetooth®* Drahtlostechnologie leuchtet auf, wenn Ihr Mobiltelefon mit dem Gerät verbunden ist.

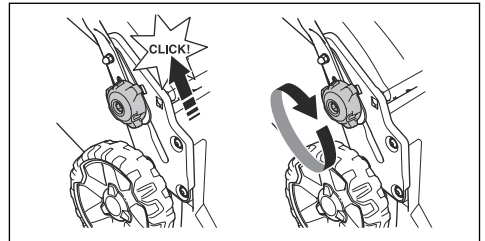


## So bringen Sie das Gerät in die Betriebsposition

1. Klappen Sie den Griff nach oben.



2. Bewegen Sie die Knöpfe nach oben in Richtung Griff, bis sie den Anschlag erreichen und ein Klicken zu hören ist.



3. Ziehen Sie die Knöpfe vollständig fest.



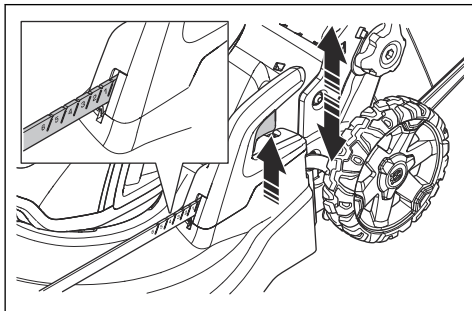
**WARNUNG:** Das Gerät darf nur in Betrieb genommen werden, wenn der Griff ganz hochgeklappt und in einer der vorgesehenen Höhenstufen arretiert ist. Siehe *So stellen Sie den Handgriff ein* auf Seite 111.

## So stellen Sie die Schnitthöhe ein

Die Schnitthöhe lässt sich in 6 Stufen einstellen.

1. Bewegen Sie den Schnitthöhenhebel nach unten, um die Schnitthöhe zu verringern.

2. Bewegen Sie den Schnitthöhenhebel nach oben, um die Schnitthöhe zu erhöhen.



**ACHTUNG:** Stellen Sie die Schnitthöhe nicht zu niedrig ein. Die Klingen können auf den Boden treffen, wenn die Oberfläche des Rasens nicht eben ist.

## Akku



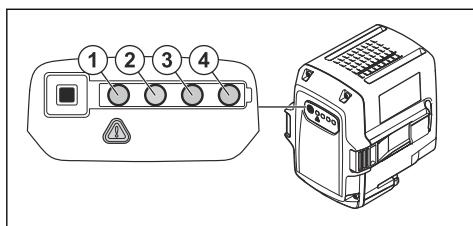
**WARNUNG:** Vor dem Betrieb des Akkus müssen Sie die Sicherheitsinformationen lesen und verstehen. Sie müssen außerdem Bedienungsanleitung für den Akku und das Ladegerät lesen und verstehen.

Sorgen Sie für die richtigen Umgebungstemperaturen von Akku und Ladegerät.

	Umgebungstemperatur
Betrieb des Akkus	5 bis 40 °C
Laden des Akkus	5 bis 40 °C

## Akkuladestatus

Auf der Anzeige werden der verbleibende Ladestatus und eventuelle Störungen des Akkus angezeigt. Die Akkukapazität wird nach dem Ausschalten des Geräts bzw. nach Drücken der Akkuanzeigetaste für 5 Sekunden angezeigt. Das Warnsymbol auf dem Akku ist an, wenn eine Störung vorliegt. Siehe *Akku auf Seite 121*.



LED-Leuchten	Akkuladestatus
Alle LEDs leuchten	Volle Ladung (75-100 %)
LED 1, LED 2 und LED 3 leuchten	Der Akku ist zu 50-75 % geladen
LED 1 und LED 2 leuchten	Der Akku ist zu 25-50 % geladen
LED 1 leuchtet	Der Akku ist zu 0-25 % geladen.
LED 1 blinkt	Der Akku ist leer. Laden Sie den Akku.

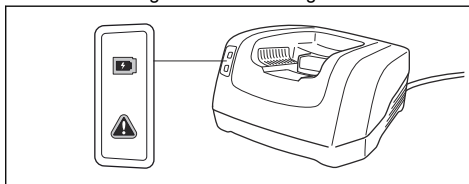
## So laden Sie den Akku

Laden Sie den Akku vor dem ersten Gebrauch. Der Akku ist bei der Auslieferung an den Kunden nur zu 30 % geladen.

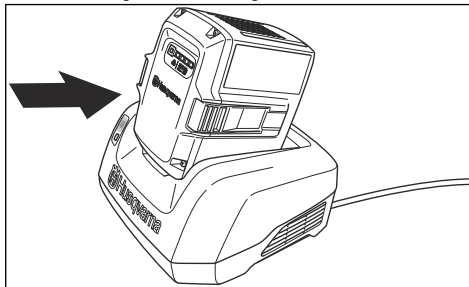
**Hinweis:** Das Ladegerät muss mit der auf dem Typenschild angegebenen Spannung und Frequenz angeschlossen werden.

Der Akku wird nicht aufgeladen, wenn die Akkutemperatur über 50 °C beträgt. Das Ladegerät verringert die Temperatur des Akkus, bevor es zu laden beginnt.

1. Schließen Sie ein Ende des Netzkabels für das Ladegerät an die Anschlussbuchse des Ladegeräts an.
2. Schließen Sie das andere Ende des Netzkabels für das Ladegerät an eine geerdete Steckdose an. Die LED am Ladegerät blinkt einmal grün.



3. Die Batterie in das Ladegerät einlegen. Die grüne Leuchte auf dem Ladegerät leuchtet auf, wenn der Akku richtig mit dem Ladegerät verbunden ist.



4. Wenn alle LEDs am Akku leuchten, ist der Akku vollständig aufgeladen. Laden Sie den Akku für maximal 24 Stunden.
5. Um das Ladegerät von der Steckdose zu trennen, ziehen Sie am Netzstecker und nicht am Netzkabel.
6. Den Akku aus dem Ladegerät entnehmen.

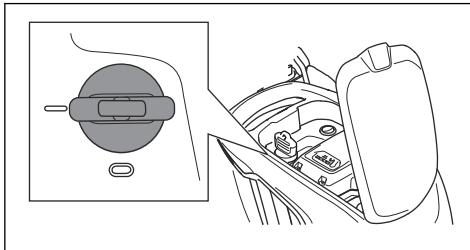
### Akku-Ladestatus

Ein Husqvarna Li-Ionen-Akku kann in jedem Ladezustand aufgeladen oder genutzt werden. Der Akku wird hierdurch nicht beschädigt. Ein vollgeladener Akku behält seine Ladung auch dann, wenn der Akku im Ladegerät belassen wird.

LED-Anzeige	Ladezustand
LED 1 blinkt	0 %-25 %
LED 1 leuchtet, LED 2 blinkt	25 %-50 %
LED 1 und LED 2 leuchten, LED 3 blinkt	50 %-75 %
LED 1, LED 2 und LED 3 leuchten, LED 4 blinkt	75 %-100 %
LED 1, LED 2, LED 3 und LED 4 leuchten	Vollständig aufgeladen

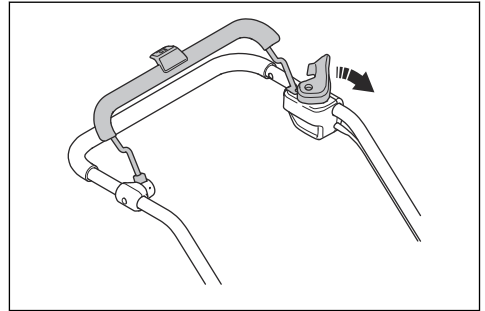
### So starten Sie das Gerät (LC 247i)

1. Öffnen Sie den Akkudeckel.
2. Legen Sie einen aufgeladenen Akku in einen der Akkuhalter ein. Für eine längere Betriebsdauer legen Sie einen zweiten aufgeladenen Akku in den anderen Akkuhalter ein.
3. Drehen Sie den Sicherheitsschlüssel auf 1.

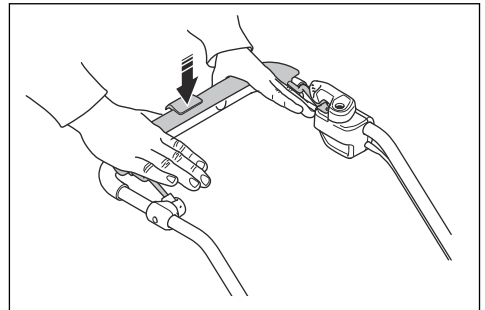


4. Halten Sie sich immer hinter dem Gerät auf.

5. Lösen Sie die Startsperrung.

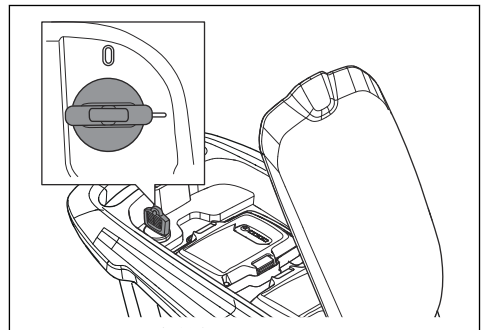


6. Drücken Sie den Motorbremsgriff in Richtung des Lenkers.



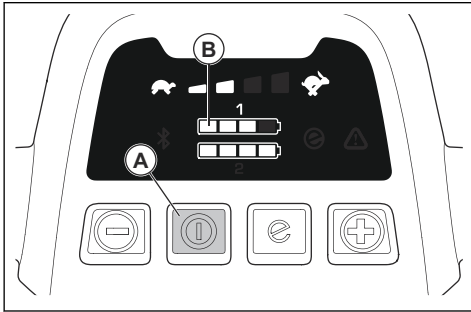
### So starten Sie das Gerät (LC 347iVX, LC 353iVX)

1. Öffnen Sie den Akkudeckel.
2. Legen Sie einen aufgeladenen Akku in einen der Akkuhalter ein. Für eine längere Betriebsdauer legen Sie einen zweiten aufgeladenen Akku in den anderen Akkuhalter ein.
3. Drehen Sie den Sicherheitsschlüssel auf 1.

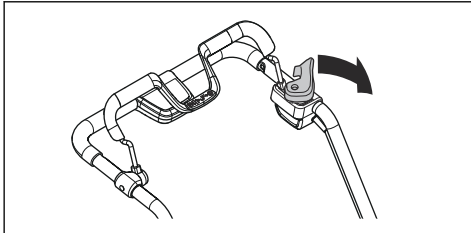


4. Halten Sie sich immer hinter dem Gerät auf.

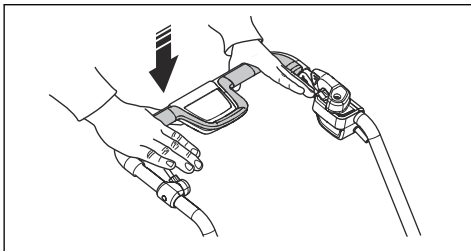
5. Drücken Sie den EIN-/AUS-Schalter (A) auf der Bedientafel. Das Display schaltet sich ein. Die Akkuanzeige (B) zeigt den Ladezustand der beiden Akkus an. Neben der Akkuanzeige wird angezeigt, welcher Akku in Betrieb ist. Bei LC 347iVX, LC 353iVX Modellen wird auch die festgelegte Drehzahl angezeigt.



6. Lösen Sie die Startsperrung.

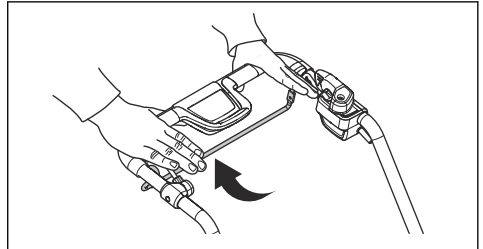


7. Drücken Sie den Motorbremsgriff in Richtung des Lenkers.

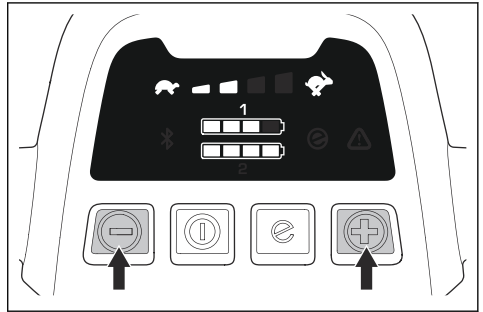


## So treiben Sie die Räder an LC 347iVX, LC 353iVX

- Ziehen Sie den Antriebsbügel zum Lenker, um den Antrieb zu starten.



- Drücken Sie + und - auf dem Bedienfeld, um die Drehzahl des Antriebs in 4 Schritten einzustellen.

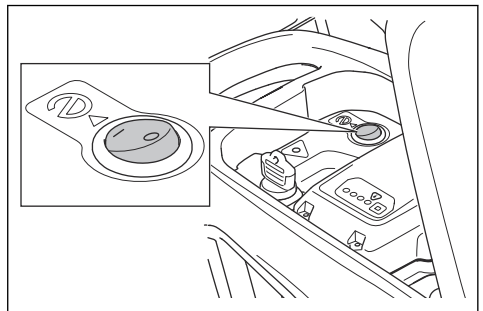


- Lassen Sie den Antriebsgriff los, um den Antrieb auszuschalten, z. B., wenn Sie sich in die Nähe eines Hindernisses bewegen.

## So verwenden Sie die SavE™-Funktion (LC 247i)

Das Gerät ist mit einer Akkusparfunktion (SavE™) ausgestattet, um die Betriebsdauer zu verlängern.

- Drücken Sie die SavE™-Taste in Position 1, um die Funktion zu starten.



- Drücken Sie die SavE™-Taste in Position 0, um die Funktion zu stoppen.

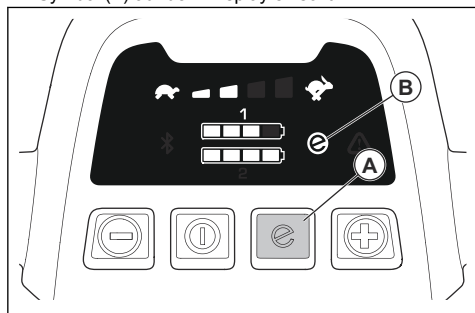


**Hinweis:** Die SavE™-Funktion stoppt automatisch, wenn die Bodenbeschaffenheit eine höhere Leistung erfordert. Die SavE™-Funktion startet automatisch erneut, wenn die Bodenbeschaffenheit es zulässt.

## So verwenden Sie die SavE™-Funktion (LC 347iVX, LC 353iVX)

Das Gerät ist mit einer Akkusparfunktion (SavE™) ausgestattet, um die Betriebsdauer zu verlängern.

1. Drücken Sie die SavE™-Taste (A) zum Starten der Funktion. Das SavE™-Symbol (B) erscheint auf dem Display.
2. Wenn Sie die Funktion deaktivieren möchten, drücken Sie die SavE™-Taste erneut. Das SavE™-Symbol (B) auf dem Display erlischt.



**Hinweis:** Die SavE™-Funktion stoppt automatisch, wenn die Bodenbeschaffenheit eine höhere Leistung erfordert. Die SavE™-Funktion startet automatisch erneut, wenn die Bodenbeschaffenheit es zulässt.

## Funktion für hohe Belastung

Wenn das Produkt langes oder nasses Gras schneidet, wird die Motordrehzahl automatisch erhöht. Der Motor wechselt zurück zum normalen Modus, wenn eine hohe Belastung nicht erforderlich ist.

## Automatischer Neustart

Im Betrieb können Messer und Motor durch Hindernisse (z. B. Verstopfung durch Gras unter der Schneidwerkabdeckung) blockiert und abgewürgt werden. Wenn dies geschieht und Sie den Motorbremsgriff gedrückt halten, versucht das Gerät einen automatischen Neustart. Wenn das Gerät nicht innerhalb von 5 Sekunden neu startet, muss der Bereich unter der Schneidwerkabdeckung eventuell gereinigt werden. Siehe *So reinigen Sie das Gerät auf Seite 119*.



**WARNUNG:** Bevor Sie die Schneidwerkabdeckung prüfen, lösen Sie den Motorbremsgriff, drehen Sie den Sicherheitsschlüssel auf 0, entnehmen Sie den Akku, und warten Sie mindestens

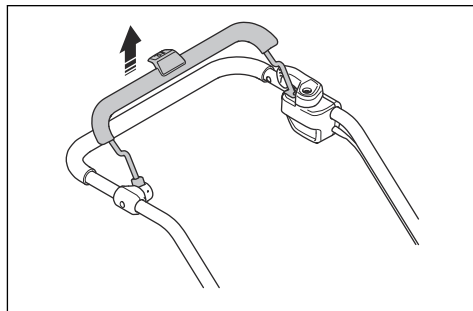
5 Sekunden. Wenn das Hindernis entfernt wird, besteht Verletzungsgefahr durch einen versehentlichen Neustart des Geräts.

## So stoppen Sie das Gerät (LC 247i)

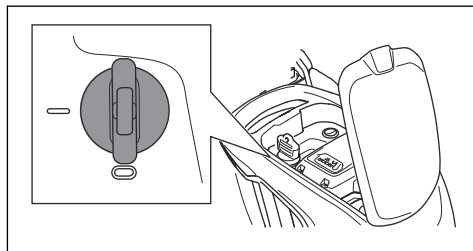


**WARNUNG:** Stellen Sie den Sicherheitsschlüssel auf 0, bevor Sie das Gerät unbeaufsichtigt lassen.

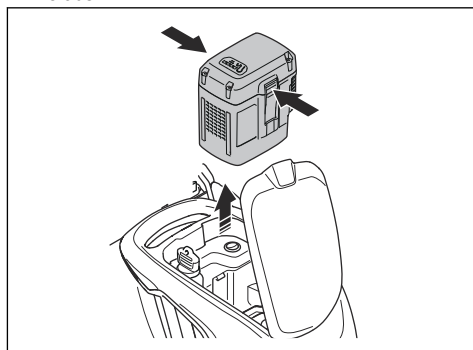
1. Lösen Sie den Motorbremsgriff, um den Motor auszuschalten.



2. Öffnen Sie die Akkuabdeckung und drehen Sie den Sicherheitsschlüssel auf 0.



3. Um den Akku zu entfernen, drücken Sie die beiden Entriegelungstasten und ziehen Sie den Akku heraus.



4. Laden Sie den Akku, wenn er schwach ist. Weitere Informationen finden Sie unter *So laden Sie den Akku auf Seite 114*.

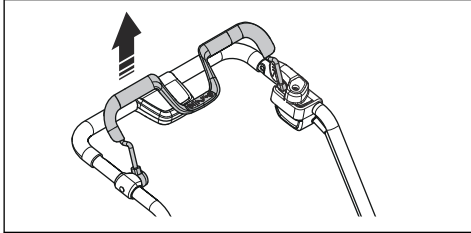
4. Um den Akku zu entfernen, drücken Sie die beiden Entriegelungstasten und ziehen Sie den Akku heraus.

## So stoppen Sie das Gerät (LC 347iVX, LC 353iVX)

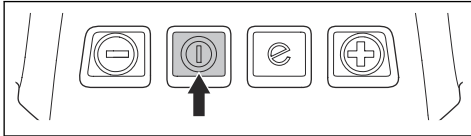


**WARNUNG:** Stellen Sie den Sicherheitsschlüssel auf 0, bevor Sie das Gerät unbeaufsichtigt lassen.

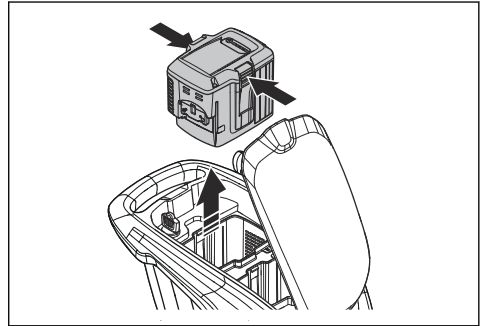
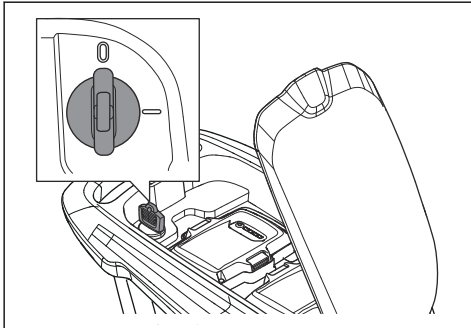
1. Lösen Sie den Motorbremsgriff, um den Motor auszuschalten.



2. Drücken Sie die ON/OFF-Taste auf der Bedientafel. Alle LEDs und Symbole auf dem Display erlöschen.



3. Öffnen Sie die Akkuabdeckung und drehen Sie den Sicherheitsschlüssel auf 0.



5. Laden Sie den Akku, wenn er schwach ist. Weitere Informationen finden Sie unter *So laden Sie den Akku auf Seite 114*.

**Hinweis:** Das Gerät schaltet automatisch ab, wenn Sie es für 3 Minuten nicht betreiben. Um das Gerät zu starten, siehe *So starten Sie das Gerät (LC 347iVX, LC 353iVX) auf Seite 115*.

## So erhalten Sie ein gutes Arbeitsergebnis

- Benutzen Sie immer eine scharfe Klinge. Eine stumpfe Klinge liefert ein unregelmäßiges Ergebnis, und die Schnittfläche des Grases wird gelb. Eine scharfe Klinge verbraucht außerdem weniger Energie als eine stumpfe Klinge.
- Schneiden Sie nicht mehr als  $\frac{1}{3}$  der Länge des Grases ab. Mähen Sie zuerst mit einer hohen Schnitthöhe. Überprüfen Sie das Ergebnis, und senken Sie die Schnitthöhe auf eine entsprechende Stufe. Wenn das Gras sehr lang ist, fahren Sie langsam und mähen bei Bedarf 2-mal.
- Mähen Sie bei jedem Mal in eine andere Richtung, um Streifen auf dem Rasen zu vermeiden.
- Halten Sie die Schneidwerkabdeckung sauber. Ansammlungen von Gras und Schmutz auf der Innenseite der Schneidwerkabdeckung können das Schneidergebnis beeinträchtigen. Siehe *So reinigen Sie das Gerät auf Seite 119*.

## So mähen Sie ohne Grasfänger oder Mulcheinsatz

- Heben Sie die hintere Abdeckung an, und entfernen Sie den Grasfänger.
- Wenn ein Mulcheinsatz und eine Mulchklinge angebracht sind, entfernen Sie diese.
- Schließen Sie die hintere Abdeckung, bevor Sie das Produkt verwenden.

Wenn Sie das Produkt verwenden, entlädt sich das Gras unter der hinteren Abdeckung.

# Wartung

## Einleitung



**WARNUNG:** Bevor Sie eine Wartung durchführen, müssen Sie das Kapitel über die Sicherheit lesen und verstehen.

Für alle Wartungs- und Reparaturarbeiten am Produkt ist eine spezielle Schulung erforderlich. Wir garantieren die Verfügbarkeit von professionellen Reparaturen und Wartungsarbeiten. Wenn Ihr Händler keine Servicewerkstatt ist, sprechen Sie mit ihm, um Informationen über die nächste Servicewerkstatt zu erhalten.

Genauere Informationen finden Sie unter [www.husqvarna.com](http://www.husqvarna.com).

## Wartungsplan

Die Wartungsintervalle werden anhand der täglichen Nutzung des Produkts berechnet. Die Intervalle ändern sich, wenn das Produkt nicht täglich verwendet wird.

Für Wartungsarbeiten, die mit \* gekennzeichnet sind, siehe Anweisungen in *Sicherheit auf Seite 104*.

	Nach jedem Einsatz	Monatlich	Zu jeder Jahreszeit
Führen Sie eine allgemeine Inspektion durch	X		
Reinigen Sie das Produkt	X		
Prüfen Sie die Startsperrung *	X		
Stellen Sie sicher, dass die Sicherheitsvorrichtungen am Produkt nicht beschädigt sind *	X		
Prüfen Sie die Schneidausrüstung	X		
Prüfen Sie die Schneidewerkabdeckung *	X		
Führen Sie eine Prüfung des Motorbremsbügels durch *	X		
Stellen Sie sicher, dass die EIN/AUS-Taste funktioniert und nicht defekt ist	X		
Untersuchen Sie den Akku auf Schäden	X		
Kontrollieren Sie den Ladezustand des Akkus	X		
Stellen Sie sicher, dass die Entriegelungstasten am Akku richtig funktionieren und der Akku in das Produkt einrastet	X		
Überprüfen Sie das Ladegerät auf Beschädigungen und stellen Sie sicher, dass es ordnungsgemäß funktioniert.		X	
Überprüfen Sie die Verbindungen zwischen dem Akku und dem Produkt. Überprüfen Sie auch die Verbindung zwischen dem Akku und dem Ladegerät.			X

## So führen Sie eine allgemeine Inspektion durch

- Stellen Sie sicher, dass die Muttern und Schrauben am Produkt nicht beschädigt sind.
- Stellen Sie sicher, dass die Kabel an dem Produkt nicht so liegen, dass sie beschädigt werden könnten.

## So reinigen Sie das Gerät

- Kunststoffteile mit einem sauberen und trockenen Tuch reinigen.

- Verwenden Sie kein Wasser zur Reinigung des Produkts. Wasser kann in den Akku oder den Motor eindringen und einen Kurzschluss oder andere Schäden am Produkt verursachen.
- Reinigen Sie das Gerät nicht mit einem Hochdruckreiniger.
- Lassen Sie kein Wasser direkt auf den Motor gelangen.
- Verwenden Sie einen Pinsel, um Blätter, Gras und Schmutz zu entfernen.

## So reinigen Sie den Akku und das Ladegerät



**WARNUNG:** Reinigen Sie weder den Akku noch das Ladegerät mit Wasser.

- Stellen Sie sicher, dass der Akku und das Ladegerät sauber und trocken sind, bevor Sie den Akku in das Ladegerät einlegen.
- Reinigen Sie die Akkuklemmen mit Druckluft oder einem weichen, trockenen Tuch.
- Reinigen Sie die Oberflächen des Akkus und des Ladegeräts mit einem weichen, trockenen Tuch.

## So prüfen Sie die Schneidausrüstung



**WARNUNG:** Um ein unbeabsichtigtes Starten zu verhindern, drehen Sie den Sicherheitsschlüssel auf 0, entfernen Sie den Akku und warten Sie mindestens 5 Sekunden.



**WARNUNG:** Tragen Sie Schutzhandschuhe, wenn Sie an der Schneidausrüstung eine Wartung durchführen. Die Klinge ist sehr scharf und man schneidet sich sehr leicht.

1. Prüfen Sie die Schneidausrüstung auf Beschädigungen oder Risse. Wechseln Sie eine beschädigte Schneidausrüstung unbedingt aus.
2. Schauen Sie sich die Klinge an, um festzustellen, ob sie beschädigt oder stumpf ist.

**Hinweis:** Nach dem Schärfen muss die Klinge ausbalanciert werden. Lassen Sie eine Servicewerkstatt die Klinge schärfen, ersetzen und ausbalancieren. Wenn Sie auf ein Hindernis treffen, das das Produkt zum Halten bringt, ersetzen Sie die beschädigte Klinge. Lassen Sie die Werkstatt beurteilen, ob die Klinge geschliffen werden kann oder ersetzt werden muss.

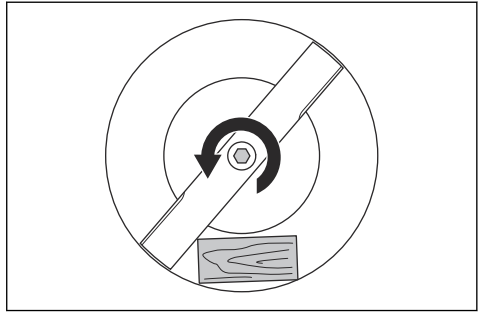
## So tauschen Sie die Klinge aus

Weitere Informationen zum richtigen Messertyp finden Sie unter *Technische Angaben auf Seite 124*.

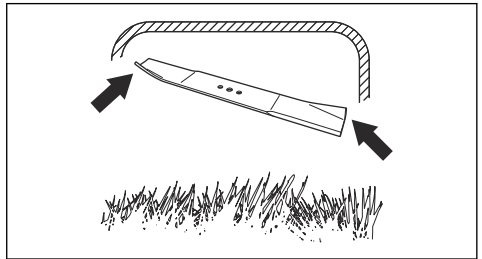


**WARNUNG:** Sichern Sie das Messer mit einem Holzblock, um Verletzungen der Finger beim Austausch der Klinge zu vermeiden. Das Messer lässt sich bei ausgeschaltetem Motor bewegen, sodass die Finger zwischen Messer und feststehenden Teilen eingeklemmt werden können.

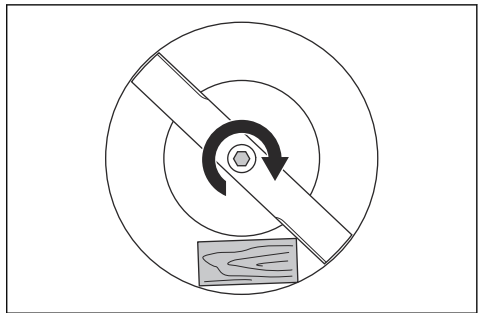
1. Arretieren Sie die Klinge mit einem Holzblock.



2. Entfernen Sie den Bolzen der Klinge.
3. Entfernen Sie die Klinge.
4. Prüfen Sie die Halterung und den Bolzen der Klinge, um festzustellen, ob Beschädigungen vorliegen.
5. Prüfen Sie die Motorwelle, um sicherstellen, dass sie nicht geknickt ist.
6. Wenn Sie die neue Klinge montieren, zeigen die abgewinkelten Enden der Klinge in die Richtung der Schneidwerkabdeckung.



7. Stellen Sie sicher, dass die Klinge mit der Mitte der Motorwelle ausgerichtet ist.
8. Arretieren Sie die Klinge mit einem Holzblock. Befestigen Sie die Federscheibe und ziehen Sie die Schraube und die Unterlegscheibe mit einem Drehmoment von 23-28 Nm an.



9. Drehen Sie die Klinge mit der Hand, um sicherzustellen, dass sie sich einwandfrei dreht.



**WARNUNG:** Tragen Sie Sicherheitshandschuhe. Die Klinge ist

sehr scharf, und man schneidet sich sehr leicht.

10. Starten Sie das Gerät, um die Klinge zu prüfen. Wenn die Klinge nicht richtig befestigt ist, gibt es im Gerät Vibrationen, oder das Schneidergebnis ist unbefriedigend.

## Fehlerbehebung

### Akku

LED-Anzeige am Akku	Ursache	Lösung
Die grüne LED blinkt.	Die Akkuspannung ist niedrig.	Laden Sie den Akku auf. Siehe <i>So laden Sie den Akku auf Seite 114</i> .
Die Fehler-LED blinkt.	Der Akku ist schwach.	Laden Sie den Akku auf. Siehe <i>So laden Sie den Akku auf Seite 114</i> .
	Die Temperatur in der Arbeitsumgebung ist zu hoch oder zu niedrig.	Der Akku darf nur bei Temperaturen zwischen 5 und 40 °C verwendet werden.
	Überspannung.	Sicherstellen, dass die Netzspannung mit dem auf dem Typenschild des Geräts angezeigten Spannungswert übereinstimmt.  Nehmen Sie den Akku aus dem Ladegerät. 5 Sekunden und warten und erneut versuchen, den Akku aufzuladen. Falls das Problem weiter besteht, eine autorisierte Servicewerkstatt kontaktieren.
Die Fehler-LED leuchtet.	Die Zellendifferenz ist zu groß (1 V).	Bitte eine autorisierte Servicewerkstatt kontaktieren.

### Akkuladegerät

Die LED am Akkuladegerät	Ursache	Lösung
Die Fehler-LED blinkt.	Die Temperatur in der Arbeitsumgebung ist zu hoch oder zu niedrig.	Das Akkuladegerät darf nur bei Temperaturen zwischen 5 und 40 °C verwendet werden.
Die Fehler-LED leuchtet.		Bitte eine autorisierte Servicewerkstatt kontaktieren.

### Rasenmäher

Die Warnanzeige (Fehler-LED) befindet sich unter der Akkuabdeckung ((LC 247i)) oder auf dem Bedienfeld ((LC 347iVX, LC 353iVX)).

Problem	Fehler-LED (Blinkanzahl)	Ursache	Lösung
Fehler-LED blinkt. Das Gerät arbeitet nicht korrekt.	3	Die Klinge ist blockiert.	Den Sicherheitsschlüssel auf 0 drehen, um ein versehentliches Starten zu verhindern. Den Akku entfernen und mindestens 5 Sekunden warten. Mögliche Hindernisse entfernen und sicherstellen, dass sich die Klinge frei drehen kann. Falls das Problem weiter besteht, eine autorisierte Servicewerkstatt kontaktieren.
	5	Die Motordrehzahl fällt zu stark ab, und der Motor stoppt.	Die Schnitthöhe erhöhen. Siehe <i>So stellen Sie die Schnitthöhe ein auf Seite 113</i> .
	6 <sup>17</sup>	Die Räder sind oder das Getriebe ist blockiert.	Den Sicherheitsschlüssel auf 0 drehen, um ein versehentliches Starten zu verhindern. Den Akku entfernen und mindestens 5 Sekunden warten. Potenzielle Hindernisse entfernen und sicherstellen, dass sich die Räder frei drehen können. Falls das Problem weiter besteht, eine autorisierte Servicewerkstatt kontaktieren.
	10	Die Motorsteuerung ist zu heiß.	Den Motor abschalten und warten, bis er sich abgekühlt hat.
Fehler-LED blinkt. Das Gerät schaltet sich ab.	0	Akku-Anschluss defekt.	Akku-Anschluss überprüfen.
	3	Der Motor ist überlastet.	Die Schnitthöhe erhöhen. Siehe <i>So stellen Sie die Schnitthöhe ein auf Seite 113</i> .
	8	Der Akku ist schwach.	Laden Sie den Akku auf. Siehe <i>So laden Sie den Akku auf Seite 114</i> .
	9	Akkufehler oder kein Signal vom Akku.	Den Akku korrekt in das Gerät einsetzen und den Akkuanschluss überprüfen. Wenn die Fehler-LED am Akku blinkt. Siehe <i>Akku auf Seite 121</i> .
	12	Falsche Vorgehensweise beim Anlassen. Der Motorbremsgriff wurde vor dem Motorstart betätigt.	Den Motorbremsgriff lösen und ca. 5 Sekunden warten. Den Motorbremsgriff erneut nach unten drücken, um das Gerät zu starten.
Andere Fehler.	Wenn andere Fehler auftreten, stellen Sie den Sicherheitsschlüssel auf 0, entfernen den Akku und wenden sich an eine zugelassene Servicewerkstatt.		

<sup>17</sup> LC 347iVX, LC353iVX

# Transport, Lagerung und Entsorgung

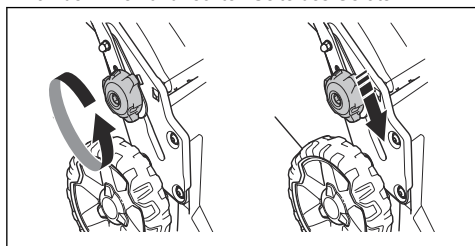
## Einleitung



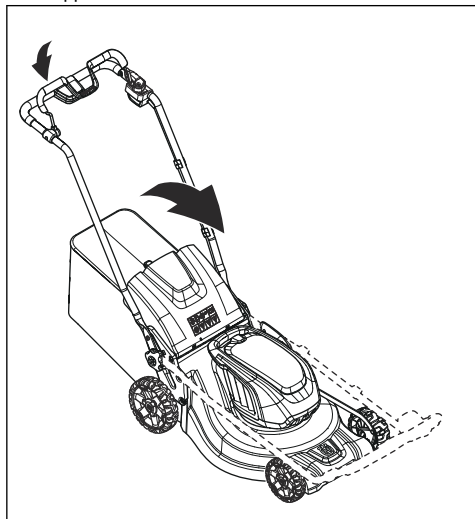
**WARNUNG:** Um ein unbeabsichtigtes Starten beim Transport zu verhindern, drehen Sie den Sicherheitsschlüssel auf 0, entfernen Sie den Akku und warten Sie mindestens 5 Sekunden.

## So bringen Sie das Gerät in die Transportposition

1. Lösen Sie die unteren Drehknöpfe.
2. Schieben Sie die Knöpfe ans untere Ende der Nuten an der linken und rechten Seite des Geräts.



3. Klappen Sie den Griff nach vorn.



4. Entfernen Sie den Grasfänger.

## Transport

- Die enthaltenen Lithium-Ionen-Batterien unterliegen den gesetzlichen Bestimmungen zu gefährlichen Gütern.

- Für gewerbliche Transporte müssen besondere Anforderungen bei Verpackung und Kennzeichnung eingehalten werden.
- Stellen Sie sicher, dass Sie sich an die Vorschriften für gefährliche Güter halten, wenn Sie das Produkt für den Transport vorbereiten. Gegebenenfalls gelten örtliche Vorschriften.
- Entnehmen Sie die für den Transport stets den Akku.
- Decken Sie die Akkustecker mit Klebeband ab und stellen Sie sicher, dass der Akku sich während des Transports nicht bewegen kann.
- Sichern Sie das Produkt während des Transports.

## Lagerung

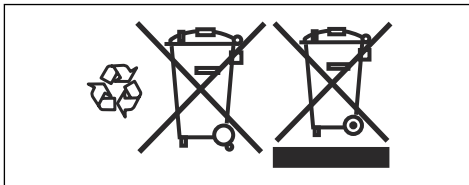
- Lassen Sie das Gerät vor der Lagerung abkühlen.
- Entnehmen Sie für die Lagerung stets den Akku.
- Stellen Sie zur Vermeidung von Unfällen sicher, dass der Akku während der Lagerung nicht an das Produkt angeschlossen bleibt.
- Bewahren Sie das Ladegerät an einem geschlossenen und trockenen Ort auf.
- Bewahren Sie den Akku und das Ladegerät an einem trockenen Ort ohne Feuchtigkeit oder Frost auf.
- Trennen Sie den Akku während der Lagerung vom Ladegerät.
- Lagern Sie den Akku nicht an einem Ort, an dem es zu elektrostatischen Entladungen kommen kann. Bewahren Sie den Akku nicht in einem Metallkasten auf.
- Lagern Sie das Gerät bei einer Umgebungstemperatur zwischen  $-10$  und  $40$  °C.
- Lagern Sie den Akku an einem Ort mit einer Umgebungstemperatur zwischen  $5$  und  $25$  °C, und setzen Sie ihn nicht direkter Sonneneinstrahlung aus.
- Lagern Sie das Akkuladegerät an einem Ort mit einer Umgebungstemperatur zwischen  $5$  und  $45$  °C, und setzen Sie es nicht direkter Sonneneinstrahlung aus.
- Stellen Sie sicher, dass der Akkustand mindestens zwischen  $30$  und  $50$  % beträgt, bevor Sie das Produkt für längere Zeit einlagern.
- Bewahren Sie das Produkt, den Akku und das Ladegerät an einem verschließbaren Ort und für Kinder und unbefugte Personen unzugänglich auf.
- Reinigen Sie das Gerät, und stellen Sie sicher, dass der Grasfänger leer ist.
- Führen Sie die Wartungsarbeiten durch, die in dieser Betriebsanleitung beschrieben sind. Siehe *Wartung auf Seite 119*.
- Führen Sie eine vollständige Wartung durch, bevor Sie das Gerät längere Zeit einlagern.

## Entsorgung

Durch Symbole auf dem Produkt oder seiner Verpackung wird angezeigt, dass dieses Produkt nicht über den Hausmüll entsorgt werden darf. Es ist einer entsprechenden Recycling-Einrichtung zuzuführen, damit elektrische und elektronische Komponenten wiedergewonnen werden können.

Dadurch, dass Sie sicherstellen, dass Sie mit diesem Produkt sorgfältig umgehen, können Sie helfen, den potentiellen negativen Auswirkungen auf die Umwelt und Ihre Mitmenschen entgegenzuwirken, die sich andernfalls durch eine unsachgemäße Entsorgung dieses Produkts ergeben können.

Genauere Informationen über die ordnungsgemäße Entsorgung dieses Produkts erhalten Sie bei Ihrer Stadtverwaltung, Ihrem Abfallentsorgungsunternehmen oder dem Geschäft, in dem Sie Ihr Produkt gekauft haben.



## Technische Angaben

### Technische Daten

	LC 247I	LC 347IVX	LC 353IVX
<b>Schneidmotor</b>			
Motortyp	BLDC (bürstenlos) 36 V	BLDC (bürstenlos) 36 V	BLDC (bürstenlos) 36 V
Motordrehzahl – SavE, U/min	2600/min	2600/min	2600/min
Motordrehzahl – Nennwert, U/min	3000/min	3000/min	3000/min
Motordrehzahl – hohe Belastung, U/min	3500/min	3500/min	3500/min
Motorleistung – max. kW	0,96	0,96	1,05
Motorleistung – Nennwert, kW	0,75	0,75	0,9
<b>Antriebsmotor</b>			
Motorleistung – Nennwert, kW	N/A	0,25	0,25
Eigene Gehgeschwindigkeit, km/h	N/A	3,0–4,5	3,0–4,5
Anpasswerte Geschwindigkeit	N/A	4	4
<b>Gewicht</b>			
Gewicht ohne Beutel (ohne Akku), kg	24,5	26	28
Gewicht mit Tasche (inkl. 2x BLi30), kg	30,5	32,0	34,5
<b>Akku</b>			
Akkutyp	Husqvarna-Akkuserie		
<b>Akkulaufzeit</b>			
Mindest-Akkulaufzeit (Leerlauf) bei aktiviertem SavE-Modus, mit einem Husqvarna 7,7-Ah-Akku (BLi30).	62	62	46
Mindest-Akkulaufzeit (Leerlauf) bei aktiviertem Standardmodus, mit einem Husqvarna 7,7-Ah-Akku (BLi30).	43	43	28



	LC 247i	LC 347IVX	LC 353IVX
<b>Geräuschemissionen</b> <sup>18</sup>			
Schalleistungspegel, gemessen dB (A)	94	94	97
Schalleistungspegel, garantiert L <sub>WA</sub> dB (A)	95	95	98
<b>Schallpegel</b> <sup>19</sup>			
Schalldruckpegel am Ohr des Bedieners, dB (A)	82	82	86
<b>Vibrationspegel</b> <sup>20</sup>			
Griff, m/s <sup>2</sup>	0,42	0,42	2,64
<b>Schneidausrüstung</b>			
Schnitthöhe, mm	20–75 mm	20–75 mm	20–75 mm
Schnittbreite, cm	47	47	53
Klinge, Standard	Sammeln 5905934-10	Sammeln 5905934-10	Sammeln 5940757-10
Klingenzubehör	Mulch 5907010-10	Mulch 5907010-10	Mulch 5950072-10
Grasfängervolumen, Liter	55	55	60

<b>Funkfrequenzdaten für Bluetooth®</b>	LC 247i	LC 347IVX	LC 353IVX
Frequenzband, GHz	N/A	2,4-2,4835	2,4-2,4835
Ausgangsleistung, max. dBm	N/A	4	4

<b>Zugelassene Akkus</b>	<b>Typ</b>	<b>Akkukapazität, Ah</b>	<b>Spannung, V</b>	<b>Gewicht, lb/kg</b>
BLi20	Lithium-Ionen	4,0	36	2,6/1,2
BLi30	Lithium-Ionen	7,7	36	4,2/1,9

<b>Zugelassene Ladegeräte für die angegebenen Akkus, BLi</b>	<b>Eingangsspannung, V</b>	<b>Frequenz, Hz</b>	<b>Leistung, W</b>
QC80	100-240	50-60	80
40-C80	100-240	50-60	68,8

<sup>18</sup> Umweltbelastende Geräuschemissionen, gemessen als Schalleistung (L<sub>WA</sub>) gemäß EG-Richtlinie 2000/14/EG.

<sup>19</sup> Die für den Schalldruckpegel angegebenen Werte haben einen Messunsicherheitsfaktor von 1,5 dB(A).

<sup>20</sup> Die für den Vibrationspegel angegebenen Werte haben einen Messunsicherheitsfaktor von 1,5m/s<sup>2</sup>. Der angegebene Vibrationsgesamtwert wurde gemäß EN 62841-4-3, Anhang 1 gemessen und kann zum Maschinenvergleich sowie für eine vorläufige Beurteilung der Exposition herangezogen werden.

<b>Zugelassene Ladegeräte für die angegebenen Akkus, BLi</b>	<b>Eingangsspannung, V</b>	<b>Frequenz, Hz</b>	<b>Leistung, W</b>
QC250	100-240	50-60	250

---

# Konformitätserklärung

---

## EU-Konformitätserklärung

Die **Husqvarna AB**, SE-561 82 Huskvarna, Schweden,  
Tel.: +46-36-146500, erklärt in alleiniger Verantwortung,  
dass das Gerät:

<b>Beschreibung</b>	Rasenmäher
<b>Marke</b>	Husqvarna
<b>Typ/Modell</b>	LC 247i
<b>Identifizierung</b>	Seriennummern ab 2021

die folgenden EU-Vorschriften und -Richtlinien erfüllt:

<b>Richtlinie/Vorschrift</b>	<b>Beschreibung</b>
2006/42/EG	„Maschinenrichtlinie“
2014/30/EU	„bezüglich EMV-Richtlinie“
2000/14/EG	„über umweltbelastende Geräuschemissionen von zur Verwendung im Freien vorgesehenen Geräten und Maschinen“
2011/65/EU	„zur Beschränkung der Verwendung bestimmter gefährlicher Stoffe in Elektro- und Elektronikgeräten“

und dass die folgenden Normen und/oder technischen Daten angewendet werden: EN 62841-1:2015+AC:2015, EN 62841-4-3:2021+A11:2021, EN ISO 12100:2010, EN 55014-1:2017+A11:2020, EN 55014-2:2015, EN IEC 63000:2018.

Benannte Stelle: 0404, RISE SMP Svensk Maskinprovning AB, Box 7035, SE-750 07 Uppsala bestätigte die Konformität mit der Richtlinie 2000/14/EG, Konformitätsbewertungsverfahren nach: Anhang VI.

Informationen zu Geräuschemissionen finden Sie unter *Technische Daten auf Seite 124*.

Huskvarna, 2021-12-01



Claes Lossal, Entwicklungsleiter/Gartenprodukte,  
Husqvarna AB

Verantwortlich für die technische Dokumentation



## EU-Konformitätserklärung

Die **Husqvarna AB**, SE-561 82 Huskvarna, Schweden,  
Tel.: +46-36-146500, erklärt in alleiniger Verantwortung,  
dass das Gerät:

<b>Beschreibung</b>	Rasenmäher
<b>Marke</b>	Husqvarna
<b>Typ/Modell</b>	LC 347iVX, LC 353iVX
<b>Identifizierung</b>	Seriennummern ab 2021-12-01

die folgenden EU-Vorschriften und -Richtlinien erfüllt:

<b>Richtlinie/Vorschrift</b>	<b>Beschreibung</b>
2006/42/EG	„Maschinenrichtlinie“
2014/53/EU	„zu Funkanlagen“
2000/14/EG	„über umweltbelastende Geräuschemissionen von zur Verwendung im Freien vorgesehenen Geräten und Maschinen“
2011/65/EU	„zur Beschränkung der Verwendung bestimmter gefährlicher Stoffe in Elektro- und Elektronikgeräten“

und dass die folgenden Normen und/oder technischen Daten angewendet werden: EN 62841-1:2015+AC:2015, EN 62841-4-3:2021+A11:2021, EN ISO 12100:2010, EN 55014-1:2017+A11:2020, EN 55014-2:2015, EN IEC 63000:2018, EN ETSI 300 328 v.2.2.2, EN 50663: 2017, ETSI EN 301 489-1 V2.2.3, ETSI EN 301 489-17 V3.2.4.

Benannte Stelle: 0404, RISE SMP Svensk Maskinprovning AB, Box 7035, SE-750 07 Uppsala bestätigte die Konformität mit der Richtlinie 2000/14/EG, Konformitätsbewertungsverfahren nach: Anhang VI.

Informationen zu Geräuschemissionen finden Sie unter *Technische Daten auf Seite 124*.

Huskvarna, 2021-12-01

Claes Lossal, Entwicklungsleiter/Gartenprodukte,  
Husqvarna AB

Verantwortlich für die technische Dokumentation



---

## Eingetragene Marken

---

Die *Bluetooth*<sup>®</sup>-Wortmarke und die Logos sind eingetragene Marken von *Bluetooth SIG, inc.* und die Verwendung dieser Marken durch Husqvarna erfolgt unter Lizenz.

---

## Περιεχόμενα

---

Εισαγωγή.....	129	Αντιμετώπιση προβλημάτων.....	148
Ασφάλεια.....	131	Μεταφορά, αποθήκευση και απόρριψη.....	151
Συναρμολόγηση.....	138	Τεχνικά στοιχεία.....	152
Λειτουργία.....	139	Δήλωση Συμμόρφωσης.....	155
Συντήρηση.....	146	Σήματα κατατεθέντα.....	156

---

## Εισαγωγή

---

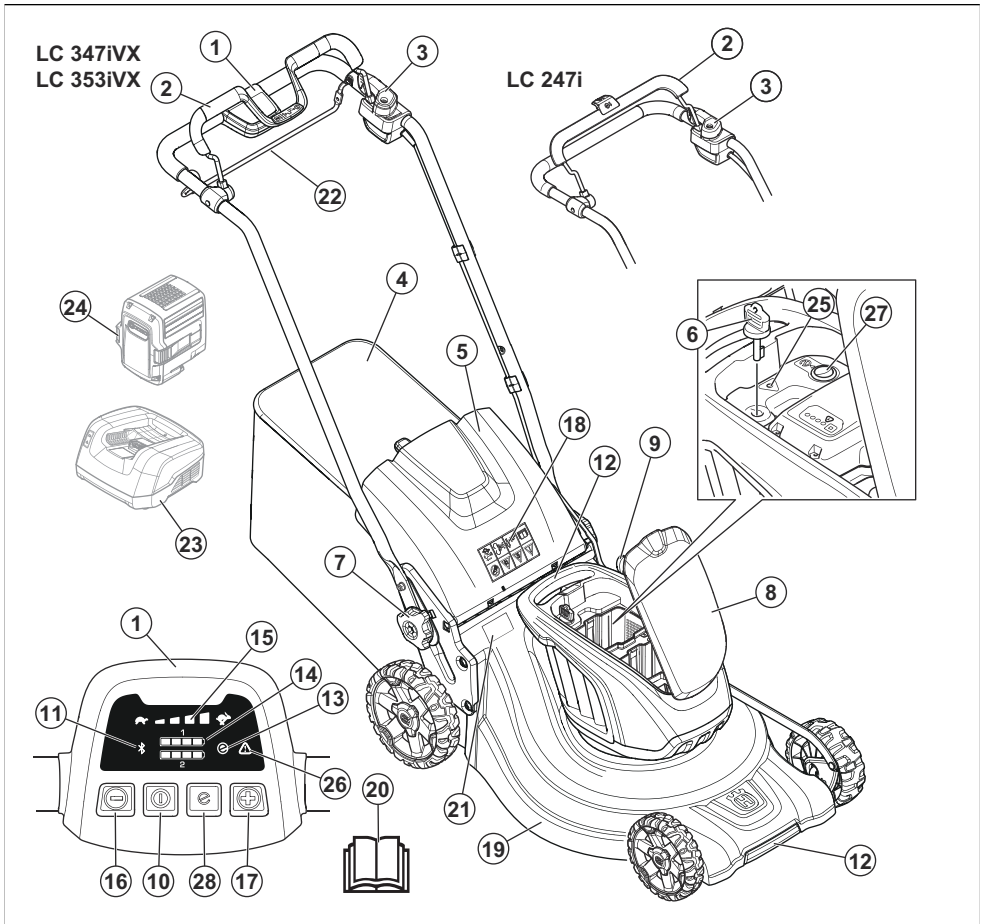
### Περιγραφή προϊόντος

Το προϊόν είναι ένα χλοοκοπτικό γκαζόν πεζού χειριστή με κύλινδρο. Το γρασίδι συλλέγεται σε έναν συλλέκτη χόρτου. Αφαιρέστε το συλλέκτη χόρτου για να εξαγάγετε το χόρτο από την πίσω πλευρά. Συνδέστε ένα κπ κοπής χορτολιπάσματος (αξεσουάρ) για κοπή του γρασιδιού σε λίπασμα.

### Προβλεπόμενη χρήση

Χρησιμοποιήστε το προϊόν για την κοπή γρασιδιού. Μην χρησιμοποιείτε το προϊόν για άλλες εργασίες.

## Επισκόπηση προϊόντος



1. Πίνακας ελέγχου (LC 347iVX, LC 353iVX)
2. Λαβή φρένου κινητήρα
3. Αναστολέας εκκίνησης
4. Συλλέκτης χόρτου
5. Πίσω κάλυμμα
6. Κλειδί ασφαλείας
7. Χειρολαβή
8. Κάλυμμα μπαταρίας
9. Χειριστήριο ύψους κοπής
10. Κομπι ON/OFF
11. Ένδειξη για την ασύρματη τεχνολογία *Bluetooth*<sup>®</sup>
12. Λαβές ανύψωσης
13. Ένδειξη λειτουργίας εξοικονόμησης SavE
14. Ένδειξη μπαταρίας
15. Ένδειξη επιπέδου ταχύτητας (LC 347iVX, LC 353iVX)
16. Κομπι μείωσης ταχύτητας (LC 347iVX, LC 353iVX)
17. Κομπι αύξησης ταχύτητας (LC 347iVX, LC 353iVX)
18. Σύμβολα
19. Κάλυμμα κοπής
20. Εγχειρίδιο χρήσης
21. Πινακίδα στοιχείων
22. Ασφάλεια οδήγησης (LC 347iVX, LC 353iVX)
23. Φορτιστής μπαταρίας (αξεσουάρ)
24. Μπαταρία (αξεσουάρ)
25. Λυχνία LED σφάλματος (LC 247i)
26. Λυχνία LED σφάλματος (LC 347iVX, LC 353iVX)
27. Κομπι SavE (LC 247i)
28. Κομπι SavE (LC 347iVX, LC 353iVX)

## Σύμβολα στο προϊόν



ΠΡΟΕΙΔΟΠΟΙΗΣΗ



Διαβάστε τις οδηγίες.



ΠΡΟΕΙΔΟΠΟΙΗΣΗ - Προσοχή σε αντικείμενα που εκτοξεύονται.



Απομακρύνετε τυχόν παριστάμενα άτομα.



ΠΡΟΕΙΔΟΠΟΙΗΣΗ – Κρατήστε τα χέρια και τα πόδια σας μακριά από τις λεπίδες.



ΠΡΟΕΙΔΟΠΟΙΗΣΗ – Αποσυνδέστε την μπαταρία πριν από τη συντήρηση.



Το προϊόν ή η συσκευασία του προϊόντος δεν αποτελεί οικιακό απόρριμμα. Ανακυκλώστε το σε κέντρο ανακύκλωσης ηλεκτρικού και ηλεκτρονικού εξοπλισμού.



Το προϊόν συμμορφώνεται με τις ισχύουσες οδηγίες ΕΚ.



Εκπομπές θορύβου στην ετικέτα περιβάλλοντος σύμφωνα με τις οδηγίες και τους κανονισμούς της ΕΕ και του Ηνωμένου Βασιλείου. Η εγγυημένη στάθμη ηχητικής ισχύος του προϊόντος καθορίζεται στην ενότητα *Τεχνικά στοιχεία στη σελίδα 152* και στην ετικέτα.

**IPX1**

Το προϊόν διαθέτει προστασία από διαρροές νερού.



Για να διακόψετε τη λειτουργία, αφήστε τη λαβή του φρένου κινητήρα.



Κωδικός με δυνατότητα σάρωσης

**Περιεχόμενα** Άλλα σύμβολα/σήματα που υπάρχουν στο προϊόν αναφέρονται σε απαιτήσεις πιστοποίησης για ορισμένες αγορές.

## Ετικέτα στο προϊόν



ΚΙΝΔΥΝΟΣ – Μην πλησιάζετε τα χέρια και τα πόδια σας.

## Ευθύνη προϊόντος

Όπως αναφέρεται στη νομοθεσία περί ευθύνης για τα προϊόντα, δεν φέρουμε καμία ευθύνη για ζημιές που οφείλονται στο προϊόν μας εάν:

- Το προϊόν έχει επισκευαστεί λανθασμένα.
- Το προϊόν έχει επισκευαστεί με εξαρτήματα που δεν προέρχονται από τον κατασκευαστή ή που δεν έχουν εγκριθεί από τον κατασκευαστή.
- Το προϊόν διαθέτει ένα αξεσουάρ που δεν προέρχεται από τον κατασκευαστή ή που δεν έχει εγκριθεί από τον κατασκευαστή.
- Το προϊόν δεν έχει επισκευαστεί σε εγκεκριμένο κέντρο σέρβις ή από εγκεκριμένη αρχή.

## Ασφάλεια

### Ορισμοί για την ασφάλεια

Για την επισήμανση ειδικών σημαντικών τμημάτων του εγχειριδίου χρησιμοποιούνται προειδοποιήσεις, συστάσεις προσοχής και σημειώσεις.



**ΠΡΟΕΙΔΟΠΟΙΗΣΗ:** Χρησιμοποιείται όταν υπάρχει κίνδυνος τραυματισμού ή θανάτου του χειριστή ή άλλων

παριστάμενων ατόμων, αν δεν τηρηθούν οι οδηγίες που παρέχονται στο εγχειρίδιο.



**ΠΡΟΣΟΧΗ:** Χρησιμοποιείται όταν υπάρχει κίνδυνος προκλήσης ζημιάς στο προϊόν, σε άλλα υλικά ή στον παρακείμενο χώρο, αν δεν τηρηθούν οι οδηγίες που παρέχονται στο εγχειρίδιο.

**Περιεχόμενα** Χρησιμοποιείται για παροχή περισσότερων πληροφοριών, οι οποίες χρειάζονται σε μια δεδομένη κατάσταση.

## Γενικές προειδοποιήσεις ασφαλείας για το προϊόν



**ΠΡΟΕΙΔΟΠΟΙΗΣΗ:** Διαβάστε όλες τις προειδοποιήσεις, τις οδηγίες, τις εικόνες και τις προδιαγραφές ασφαλείας που παρέχονται με αυτό το προϊόν. Η μη τήρηση όλων των οδηγιών που αναφέρονται παρακάτω μπορεί να προκαλέσει ηλεκτροπληξία, πυρκαγιά ή/και σοβαρό τραυματισμό.

**Φυλάξτε τις προειδοποιήσεις και τις οδηγίες για μελλοντική αναφορά.** Ο όρος "πρόϊον" που χρησιμοποιείται στις προειδοποιήσεις αναφέρεται σε προϊόν που τροφοδοτείται από το δίκτυο ρεύματος (με καλώδιο) ή σε προϊόν που τροφοδοτείται από μπαταρία (χωρίς καλώδιο).

## Ασφάλεια στο χώρο εργασίας

- Διατηρείτε το χώρο εργασίας καθαρό και με καλό φωτισμό. Οι ακατάστατοι ή σκοτεινοί χώροι ενέχουν τον κίνδυνο ατυχημάτων.
- Μην χειρίζεστε το προϊόν σε εκρηκτικές ατμόσφαιρες, π.χ. στον ίδιο χώρο με εύφλεκτα υγρά, αέρια ή σωματίδια σκόνης. Το προϊόν δημιουργεί σπινθήρες, οι οποίοι ενδέχεται να προκαλέσουν την ανάφλεξη των σωματιδίων σκόνης ή των καπνών.
- Κατά τον χειρισμό του προϊόντος, δεν πρέπει να βρίσκονται κοντά παιδιά ή άλλοι παρευρισκόμενοι. Ενδέχεται να αποσπασούν την προσοχή σας, με αποτέλεσμα να χάσετε τον έλεγχο.

## Ασφάλεια με το ηλεκτρικό ρεύμα

- Το βύσμα του προϊόντος πρέπει να ταιριάζει στην πρίζα. Μην τροποποιείτε ποτέ το βύσμα. Μην χρησιμοποιείτε προσαρμογείς με γειωμένα προϊόντα. Η χρήση μη τροποποιημένων φινις και αντίστοιχων πριζών μειώνει τον κίνδυνο ηλεκτροπληξίας.
- Αποφεύγετε την επαφή του σώματος με γειωμένες επιφάνειες, όπως σωληνες, καλοριφέρ, κουζίνες και ψυγεία. Υπάρχει αυξημένος κίνδυνος ηλεκτροπληξίας, αν το σώμα σας έρθει σε επαφή με τη γείωση.

- Μην εκθέτετε τα προϊόντα στη βροχή ή σε συνθήκες υγρασίας. Σε περίπτωση εισχώρησης νερού στο προϊόν, αυξάνεται ο κίνδυνος ηλεκτροπληξίας.
- Μην προκαλείτε φθορά στο καλώδιο. Μην χρησιμοποιείτε ποτέ το καλώδιο για τη μεταφορά, το τράβηγμα ή την αποσύνδεση του προϊόντος. Φυλάσσετε το καλώδιο μακριά από θερμότητα, λάδια, αιχμηρές άκρες ή κινούμενα εξαρτήματα. Εάν το καλώδιο καταστραφεί ή εμπλακεί, αυξάνεται ο κίνδυνος ηλεκτροπληξίας.
- Όταν χρησιμοποιείτε ένα προϊόν σε εξωτερικό χώρο, χρησιμοποιήστε ένα καλώδιο προέκτασης που είναι κατάλληλο για χρήση σε εξωτερικό χώρο. Η χρήση καλωδίου κατάλληλου για εξωτερικό χώρο μειώνει τον κίνδυνο ηλεκτροπληξίας.
- Αν η χρήση ενός προϊόντος σε χώρο με υγρασία είναι αναπόφευκτη, χρησιμοποιήστε παροχή ρεύματος με διάταξη προστασίας από ρεύματα διαρροής (RCD). Η χρήση μιας συσκευής RCD μειώνει τον κίνδυνο ηλεκτροπληξίας.

## Προσωπική ασφάλεια

- Να είστε σε εγρήγορση, να παρακολουθείτε αυτό που κάνετε και να χρησιμοποιείτε την κοινή λογική όταν χρησιμοποιείτε ένα προϊόν. Μην χρησιμοποιείτε προϊόντα όταν είστε κουρασμένοι ή υπό την επίδραση ναρκωτικών, αλκοόλ ή φαρμάκων. Μια στιγμή απροσεξίας κατά τον χειρισμό των προϊόντων μπορεί να οδηγήσει σε σοβαρό τραυματισμό.
- Πρέπει να χρησιμοποιείτε προστατευτικό εξοπλισμό προστασίας. Φοράτε πάντοτε προστατευτικά γυαλιά. Ο εξοπλισμός προστασίας, όπως προστατευτική μάσκα αναπνοής, αντιολισθητικά παπούτσια ασφαλείας, κράνος ή προστατευτικά ακοής σε κατάλληλες συνθήκες, μειώνει τον κίνδυνο τραυματισμών.
- Φροντίστε ώστε να μην είναι εφικτή η ακούσια εκκίνηση. Βεβαιωθείτε ότι ο διακόπτης βρίσκεται στη θέση Off προτού συνδέσετε το προϊόν στην πηγή τροφοδοσίας ή/και στην μπαταρία και προτού πάσετε ή μεταφέρετε το προϊόν. Η μεταφορά των προϊόντων, ενώ έχετε το χέρι σας στον διακόπτη, ή η σύνδεση ενεργοποιημένων προϊόντων σε πρίζα ενέχει κίνδυνο ατυχήματος.
- Αφαιρέστε τυχόν κλειδιά προσαρμογής ή σύσφιξης, προτού ενεργοποιήσετε το προϊόν. Ένα κλειδί σύσφιξης ή ρύθμισης που παραμένει προσαρτημένο σε κινούμενο μέρος του προϊόντος μπορεί να προκαλέσει τραυματισμό.
- Μην τεντώνετε υπερβολικά. Να πατάτε καλά τα πόδια σας και να διατηρείτε την ισορροπία σας συνεχώς. Έτσι επιτυγχάνεται καλύτερος έλεγχος του προϊόντος σε τυχόν απρόβλεπτες καταστάσεις.
- Φοράτε κατάλληλα ρούχα. Μην φοράτε φαρδιά ρούχα ή κοσμήματα. Φροντίστε τα μαλλιά και τα ρούχα σας να βρίσκονται σε απόσταση από τα κινούμενα εξαρτήματα. Τα φαρδιά ρούχα, τα κοσμήματα ή τα μακριά μαλλιά ενδέχεται να πιαστούν σε κινούμενα μέρη.



- **Εάν παρέχονται διατάξεις για τη σύνδεση συστημάτων συλλογής και απομάκρυνσης σκόνης, βεβαιωθείτε ότι αυτές έχουν συνδεθεί και χρησιμοποιούνται σωστά.** Να χρησιμοποιείτε σύστημα συλλογής σκόνης για να μειώσετε τους κινδύνους που σχετίζονται με τη σκόνη.
- **Ακόμη και αν χρησιμοποιείτε συχνά και είστε εξοικειωμένοι με τα προϊόντα, μην επαναπαύεστε και μην παραβλέπετε τις αρχές ασφαλείας των εργαλείων.** Μια απρόσκετη ενέργεια μπορεί να προκαλέσει σοβαρό τραυματισμό σε κλάσμα του δευτερολέπτου.

## Χρήση και φροντίδα προϊόντος

- **Μην ασκείτε δύναμη το προϊόν.** Χρησιμοποιήστε το κατάλληλο προϊόν για την εφαρμογή σας. Το κατάλληλο προϊόν θα προσφέρει υψηλότερη απόδοση και ασφάλεια κατά την εργασία σας στο βαθμό για τον οποίο έχει σχεδιαστεί.
- **Μην χρησιμοποιείτε το προϊόν, εάν δεν μπορεί να ενεργοποιηθεί και να απενεργοποιηθεί με τον διακόπτη.** Ένα προϊόν που δεν μπορεί να ελεγχθεί από τον διακόπτη είναι επικίνδυνο και πρέπει να επισκευαστεί.
- **Αποσυνδέστε το βύσμα από την πηγή τροφοδοσίας ή/και αφαιρέστε την μπαταρία, αν είναι αποσπώμενη, από το προϊόν πριν από την πραγματοποίηση ρυθμίσεων, την αλλαγή αξεσουάρ ή την αποθήκευση ηλεκτρικών εργαλείων.** Αυτά τα προληπτικά μέτρα ασφαλείας μειώνουν τον κίνδυνο ακούσιες εκκίνησης του προϊόντος.
- **Φυλάσσετε τα προϊόντα που βρίσκονται σε αδράνεια μακριά από παιδιά και μην επιτρέπετε σε άτομα που δεν είναι εξοικειωμένα με αυτά ή με τις οδηγίες να χρησιμοποιούν το προϊόν.** Τα προϊόντα είναι επικίνδυνα στα χέρια μη εκπαιδευμένων χρηστών.
- **Συντηρείτε τα προϊόντα και τα αξεσουάρ.** Ελέγξτε το προϊόν για τυχόν εσφαλμένη ευθυγράμμιση ή κινούμενα εξαρτήματα που μαγκώνουν, σπασμένα εξαρτήματα ή άλλες καταστάσεις που ενδέχεται να επηρεάσουν τη λειτουργία του προϊόντος. Σε περίπτωση ζημιάς, φροντίστε για την επισκευή του προϊόντος προτού το χρησιμοποιήσετε. Πολλά ατυχήματα προκαλούνται από προϊόντα που δεν συντηρούνται σωστά.
- **Διατηρείτε τα εργαλεία κοπής αιχμηρά και καθαρά.** Εάν τα εργαλεία κοπής συντηρούνται σωστά, με αιχμηρές άκρες κοπής, είναι λιγότερο πιθανή η εμπλοκή τους και πιο εύκολος ο έλεγχός τους.
- **Χρησιμοποιείτε το προϊόν, τα εξαρτήματα και τα τρυπάνια σύμφωνα με τις οδηγίες αυτές, λαμβάνοντας υπόψη τις συνθήκες εργασίας και την εργασία που πρέπει να εκτελεστεί.** Η χρήση του προϊόντος για εργασίες διαφορετικές από αυτές για τις οποίες προορίζεται μπορεί να οδηγήσει σε επικίνδυνες καταστάσεις.
- **Διατηρήστε τις χειρολαβές και τις επιφάνειες κρατήματος στεγνές και καθαρές, χωρίς λάδια και γράσο.** Οι ολισθηρές λαβές και επιφάνειες

κρατήματος δεν επιτρέπουν τον ασφαλή χειρισμό και έλεγχο του προϊόντος σε απρόβλεπτες καταστάσεις.

## Υπηρεσία

- **Αναθέστε το σέρβις του προϊόντος σας σε εξειδικευμένο τεχνικό για επισκευή με τη χρήση μόνο πατομοιούτυπων ανταλλακτικών.** Έτσι διασφαλίζεται η ασφάλεια του προϊόντος.
- **Μην εκτελείτε εργασίες σέρβις σε κατεστραμμένες μπαταρίες.** Οι εργασίες σέρβις σε μπαταρίες θα πρέπει να εκτελούνται μόνο από τον κατασκευαστή ή από εξουσιοδοτημένα καταστήματα σέρβις.

## Χρήση και φροντίδα εργαλείων μπαταρίας

- **Να επαναφορτίσετε μόνο με το φορτιστή που ορίζεται από τον κατασκευαστή.** Ένας φορτιστής κατάλληλος για έναν τύπο συστοιχίας μπαταριών μπορεί να δημιουργήσει κίνδυνο φωτιάς κατά τη χρήση με άλλη συστοιχία μπαταριών.
  - **Χρησιμοποιείτε προϊόντα μόνο με τις προδιαγραφόμενες μπαταρίες.** Η χρήση οποιασδήποτε άλλης μπαταρίας μπορεί να προκαλέσει κίνδυνο τραυματισμού και πυρκαγιάς.
  - **Όταν η μπαταρία δεν χρησιμοποιείται, πρέπει να την φυλάσσετε μακριά από άλλα μεταλλικά αντικείμενα, όπως συνδετήρες, νομίσματα, κλειδιά, καρφιά, βίδες ή άλλα μικρά μεταλλικά αντικείμενα, που μπορεί να προκαλέσουν ένωση των πόλων.** Η βραχυκύκλωση των ακροδεκτών της μπαταρίας μεταξύ τους μπορεί να προκαλέσει εγκαύματα ή πυρκαγιά.
  - **Σε περίπτωση ακατάλληλου χειρισμού, μπορεί να εκπιναχθεί υγρό από την μπαταρία.** Αποφεύγετε κάθε επαφή. Σε περίπτωση τυχαίας επαφής, ξεπλύνετε με νερό. Εάν το υγρό έρθει σε επαφή με τα μάτια, ζητήστε επίσης ιατρική βοήθεια. Η εκτόξευση υγρού από την μπαταρία μπορεί να προκαλέσει ερεθισμούς ή εγκαύματα.
  - **Μην χρησιμοποιείτε μπαταρίες ή εργαλεία που έχουν υποστεί ζημιά ή μετατροπές.** Οι μπαταρίες που έχουν υποστεί ζημιά ή τροποποίηση μπορεί να παρουσιάσουν απρόβλεπτη συμπεριφορά με αποτέλεσμα να προκληθεί κίνδυνος πυρκαγιάς, έκρηξης ή τραυματισμού.
  - **Μην εκθέτετε τις μπαταρίες ή τα εργαλεία σε φωτιά ή υπερβολική θερμοκρασία.** Η έκθεση σε φωτιά ή θερμοκρασίες πάνω από 130 °C/265 °F μπορεί να προκαλέσει έκρηξη.
  - **Ακολουθήστε όλες τις οδηγίες φόρτισης και μην φορτίζετε τις μπαταρίες ή τα εργαλεία εκτός του εύρους θερμοκρασίας που προδιαγράφεται στις οδηγίες.** Η φόρτιση με λανθασμένο τρόπο ή σε θερμοκρασίες εκτός του προδιαγραφόμενου εύρους μπορεί να προκαλέσει ζημιά στην μπαταρία και αυξάνει τον κίνδυνο πυρκαγιάς.
- ## Προειδοποιήσεις ασφαλείας για το ωθούμενο χλοοκοπτικό
- **Μην χρησιμοποιείτε το ωθούμενο χλοοκοπτικό σε κακές καιρικές συνθήκες, ιδιαίτερα όταν υπάρχει**

**κίνδυνος κεραυνού.** Έτσι μειώνεται ο κίνδυνος να σας χτυπήσει κεραυνός.

- **Επιθεωρήστε προσεκτικά την περιοχή όπου θα χρησιμοποιηθεί το ωθούμενο χλοοκοπτικό για ύπαρξη πανίδας.** Η πανίδα μπορεί να τραυματιστεί από το ωθούμενο χλοοκοπτικό κατά τη διάρκεια της λειτουργίας.
- **Επιθεωρήστε προσεκτικά την περιοχή όπου θα χρησιμοποιηθεί το ωθούμενο χλοοκοπτικό και αφαιρέστε όλες τις πέτρες, τα κλαδιά, τα καλώδια, τα κόκκαλα και οποιαδήποτε άλλα ξένα αντικείμενα.** Τα αντικείμενα που εκτοξεύονται μπορούν να προκαλέσουν τραυματισμό.
- **Πριν από τη χρήση, επιθεωρείτε πάντα οπτικά το ωθούμενο χλοοκοπτικό για να βεβαιωθείτε ότι η λεπίδα και το συγκρότημα λεπίδας δεν έχουν φθαρεί ή καταστραφεί.** Τα εξαρτήματα που έχουν υποστεί φθορά ή ζημιά αυξάνουν τον κίνδυνο τραυματισμού.
- **Πριν από τη χρήση, ελέγξτε το καλώδιο τροφοδοσίας και επέκτασης για σημάδια ζημιάς ή παλαιότητας. Μην χρησιμοποιείτε το ωθούμενο χλοοκοπτικό, αν το καλώδιο έχει καταστραφεί ή φθαρεί. Εάν το καλώδιο καταστραφεί ή φθαρεί κατά τη χρήση, απενεργοποιήστε το ωθούμενο χλοοκοπτικό και μην αγγίξετε το καλώδιο πριν το αποσυνδέσετε από την τροφοδοσία.** Αν το καλώδιο τροφοδοσίας ή το καλώδιο επέκτασης έχει υποστεί ζημιά, μπορεί να προκληθεί ηλεκτροπληξία, πυρκαγιά ή/και σοβαρός τραυματισμός.
- **Ελέγχετε συχνά το συλλέκτη χόρτου για φθορά ή μειωμένη απόδοση.** Ο φθαρμένος ή κατεστραμμένος συλλέκτης χόρτου μπορεί να αυξήσει τον κίνδυνο προσωπικού τραυματισμού.
- **Διατηρείτε τα προστατευτικά στη θέση τους. Τα προστατευτικά πρέπει να βρίσκονται σε λειτουργική κατάσταση και να είναι σωστά τοποθετημένα.** Εάν ένα προστατευτικό είναι χαλαρό, έχει υποστεί ζημιά ή δεν λειτουργεί σωστά, μπορεί να προκληθεί τραυματισμός.
- **Διατηρήστε όλες τις εισαγωγές αέρα ψύξης καθαρές από υπολείμματα.** Οι φραγμένες εισαγωγές αέρα και τα υπολείμματα μπορεί να προκαλέσουν υπερθέρμανση ή κίνδυνο πυρκαγιάς.
- **Κατά τη λειτουργία του ωθούμενου χλοοκοπτικού, φοράτε πάντα αντολισθητικά και προστατευτικά παπούτσια. Μην χρησιμοποιείτε το ωθούμενο χλοοκοπτικό με γυμνά πόδια ή φορώντας σανδάλια.** Αυτό μειώνει την πιθανότητα τραυματισμού των ποδιών από επαφή με την κινούμενη λεπίδα.
- **Κατά τη λειτουργία του ωθούμενου χλοοκοπτικού, φοράτε πάντα μακριά παντελόνια.** Το εκτεθειμένο δέρμα αυξάνει την πιθανότητα τραυματισμού από αντικείμενα που εκτινάζονται.
- **Μην χρησιμοποιείτε το ωθούμενο χλοοκοπτικό σε νωπό γρασίδι. Περπατάτε, ποτέ μην τρέχετε.** Αυτό μειώνει τον κίνδυνο ολίσθησης και πτώσης, γεγονός που μπορεί να οδηγήσει σε τραυματισμό.
- **Μην χρησιμοποιείτε το ωθούμενο χλοοκοπτικό σε υπερβολικά απότομα πρηνή.** Αυτό μειώνει τον

κίνδυνο απώλειας ελέγχου, ολίσθησης και πτώσης, γεγονός που μπορεί να οδηγήσει σε τραυματισμό.

- **Κατά την εργασία σε πρηνή, πρέπει πάντα να είστε σίγουροι πού πατάτε, να εργάζεστε πάντα κινούμενοι εγκάρσια στις επιφάνειες με κλίση, ποτέ προς τα πάνω ή προς τα κάτω, και να είστε ιδιαίτερα προσεκτικοί κατά την αλλαγή κατεύθυνσης.** Αυτό μειώνει τον κίνδυνο απώλειας ελέγχου, ολίσθησης και πτώσης, γεγονός που μπορεί να οδηγήσει σε τραυματισμό.
- **Πρέπει να είστε εξαιρετικά προσεκτικοί κατά την οπισθοπορεία ή όταν τραβάτε το ωθούμενο χλοοκοπτικό προς το μέρος σας. Να είστε πάντα προσεκτικοί με το περιβάλλον σας.** Αυτό μειώνει τον κίνδυνο παραπατήματος στη διάρκεια της λειτουργίας.
- **Κρατήστε το καλώδιο τροφοδοσίας μακριά από τις λεπίδες κοπής.** Αν το καλώδιο τροφοδοσίας έχει υποστεί ζημιά, μπορεί να προκληθεί ηλεκτροπληξία, πυρκαγιά ή/και σοβαρός τραυματισμός.
- **Απενεργοποιήστε και αποσυνδέστε το φις από την πρίζα, αν το καλώδιο έχει μπλεχτεί ή έχει υποστεί ζημιά.** Αν το καλώδιο έχει μπλεχτεί ή καταστραφεί, αυξάνεται ο κίνδυνος ηλεκτροπληξίας.
- **Μην αγγίζετε τις λεπίδες και άλλα επικίνδυνα κινούμενα μέρη ενώ βρίσκονται ακόμη σε κίνηση.** Αυτό μειώνει τον κίνδυνο τραυματισμού από κινούμενα μέρη.
- **Όταν απομακρύνετε υλικά που μπλοκάρουν τη λειτουργία ή όταν καθαρίζετε το ωθούμενο χλοοκοπτικό, βεβαιωθείτε ότι όλοι οι διακόπτες ισχύος είναι σβηστοί και ότι το καλώδιο παροχής ρεύματος είναι αποσυνδεδεμένο.** Η μη αναμενόμενη λειτουργία του ωθούμενου χλοοκοπτικού μπορεί να οδηγήσει σε σοβαρό τραυματισμό.

## Διάταξη προστασίας από ρεύματα διαρροής

- Χρησιμοποιήστε μια διάταξη προστασίας από ρεύματα διαρροής με ρεύμα ενεργοποίησης το ανώτερο έως 30 mA.

## Γενικές οδηγίες ασφαλείας



**ΠΡΟΕΙΔΟΠΟΙΗΣΗ:** Προτού χρησιμοποιήσετε το προϊόν, διαβάστε τις παρακάτω προειδοποιητικές οδηγίες.

- Αυτό το προϊόν είναι επικίνδυνο αν δεν χρησιμοποιηθεί σωστά ή αν δεν είστε προσεκτικοί. Αν δεν τηρείτε τις οδηγίες ασφαλείας, μπορεί να προκληθεί τραυματισμός ή θάνατος.
- Αυτό το προϊόν παράγει ηλεκτρομαγνητικό πεδίο κατά τη λειτουργία του. Το πεδίο αυτό, υπό ορισμένες συνθήκες, μπορεί να προκαλέσει παρεμβολές σε ενεργά ή παθητικά ιατρικά εμφυτεύματα. Για να μειωθεί ο κίνδυνος σοβαρών ή θανατηφόρων τραυματισμών, συνιστούμε στα άτομα με ιατρικά εμφυτεύματα να συμβουλευθούν το θεράποντα ιατρό τους και τον κατασκευαστή του

ιατρικού εμφυτεύματος, προτού θέσουν το προϊόν σε λειτουργία.

- Πρέπει πάντα να προσέχετε και να χρησιμοποιείτε την κοινή λογική. Αν δεν είστε βέβαιοι πώς να χειριστείτε το προϊόν σε μια ιδιαίτερη κατάσταση, σταματήστε και μιλήστε με τον αντιπρόσωπο της Husqvarna προτού συνεχίσετε.
- Πρέπει να θυμάστε ότι ο χειριστής θεωρείται υπεύθυνος για ατυχήματα που μπορεί να προκληθούν σε άλλα άτομα ή στην περιουσία τους.
- Να διατηρείτε το προϊόν καθαρό. Βεβαιωθείτε ότι μπορείτε να διαβάσετε καθαρά τις ενδείξεις και τα σήματα.
- Μην επιτρέπετε ποτέ σε παιδιά ή άλλα άτομα, που δεν έχουν εξοικειωθεί με αυτές τις οδηγίες, να χρησιμοποιήσουν τη συσκευή. Οι τοπικοί κανονισμοί μπορεί να θέτουν περιορισμούς για την ηλικία του χειριστή.
- Αν το προϊόν χρησιμοποιείται από ένα άτομο με μειωμένη σωματική ή διανοητική ικανότητα, θα πρέπει πάντα να το επιβλέπετε. Πρέπει να είναι παρών ένας υπεύθυνος ενήλικας ανά πάσα στιγμή.
- Μην χρησιμοποιείτε το προϊόν, αν είστε κουρασμένοι, άρρωστοι ή υπό την επήρεια αλκοόλ, ναρκωτικών ή φαρμάκων. Αυτά έχουν αρνητικές συνέπειες στην όραση, την αυτοσυγκέντρωση, τον συντονισμό και την κρίση σας.
- Μην χρησιμοποιείτε το προϊόν, αν είναι ελαττωματικό.
- Μην τροποποιείτε το προϊόν και μην το χρησιμοποιείτε αν είναι εμφανές ότι έχει τροποποιηθεί από άλλους.

## Ασφάλεια στην εργασία



**ΠΡΟΕΙΔΟΠΟΙΗΣΗ:** Προτού χρησιμοποιήσετε το προϊόν, διαβάστε τις παρακάτω προειδοποιητικές οδηγίες.

- Να χρησιμοποιείτε το προϊόν μόνο για την κοπή χόρτου γκαζόν. Δεν επιτρέπεται η χρήση του για άλλες εργασίες.
  - Πρέπει να χρησιμοποιείτε προσωπικό εξοπλισμό προστασίας. Ανατρέξτε στην ενότητα *Προσωπικός εξοπλισμός προστασίας στη σελίδα 136*.
  - Βεβαιωθείτε ότι γνωρίζετε πώς να σταματήσετε τον κινητήρα γρήγορα σε περίπτωση έκτακτης ανάγκης.
  - Μην χρησιμοποιείτε το προϊόν σε συνθήκες βροχής ή υγρασίας. Αν εισέλθει νερό στο προϊόν, αυξάνεται ο κίνδυνος ηλεκτροπληξίας.
  - Μην λειτουργείτε το προϊόν αν δεν είναι σωστά συνδεδεμένη η λεπίδα και όλα τα καλύμματα. Αν η λεπίδα δεν είναι σωστά συνδεδεμένη, μπορεί να χαλαρώσει και να προκληθεί προσωπικός τραυματισμός.
  - Να βεβαιώνετε ότι ο δίσκος δεν χτυπάει αντικείμενα, όπως πέτρες και ρίζες. Αυτό μπορεί να προκαλέσει ζημιά στη λεπίδα και να λυγίσει τον άξονα του κινητήρα. Ο λυγισμένος άξονας προκαλεί ισχυρή
- δόννηση και πολύ υψηλό κίνδυνο χαλάρωσης της λεπίδας.
  - Σε περίπτωση πρόσκρουσης της λεπίδας σε αντικείμενο ή αν διαπιστώσετε κραδασμούς, διακόψτε αμέσως τη λειτουργία του προϊόντος. Σβήστε τον κινητήρα, γυρίστε το κλειδί ασφαλείας στη θέση "0" και αφαιρέστε την μπαταρία. Περιμένετε μέχρι να σταματήσουν τα κινούμενα μέρη. Ελέγξτε το προϊόν για ζημιές. Σφίξτε τα χαλαρωμένα εξαρτήματα. Επισκευάστε τις ζημιές και αντικαταστήστε τα κατεστραμμένα εξαρτήματα. Η επισκευή θα πρέπει να γίνεται από εγκεκριμένο αντιπρόσωπο σέρβις.
  - Μην συνδέετε ποτέ μόνιμα τη λαβή φρένου του κινητήρα στη λαβή όταν έχει εκκινήσει ο κινητήρας.
  - Τοποθετήστε το προϊόν σε μια σταθερή, επίπεδη επιφάνεια και εκκινήστε το. Να βεβαιώνετε ότι η λεπίδα δεν χτυπάει στο έδαφος ή σε άλλα αντικείμενα.
  - Να παραμένετε πάντα πίσω από το προϊόν κατά τη λειτουργία.
  - Κατά τη λειτουργία του προϊόντος, θα πρέπει όλοι οι τροχοί να ακουμπούν στο έδαφος και να διατηρείτε και τα 2 χέρια πάνω στη λαβή. Φροντίστε τα χέρια και τα πόδια σας να βρίσκονται μακριά από τις περιστρεφόμενες λεπίδες.
  - Μην γέρνετε το προϊόν όταν εκκινείτε τον κινητήρα ή όταν το προϊόν λειτουργεί.
  - Να είστε προσεκτικοί όταν τραβάτε το προϊόν προς τα πίσω.
  - Μην ανασηκώνετε ποτέ το προϊόν όταν έχει εκκινήσει ο κινητήρας. Αν πρέπει να ανασηκώσετε το προϊόν, σβήστε πρώτα τον κινητήρα, γυρίστε το κλειδί ασφαλείας στη θέση "0" και αφαιρέστε την μπαταρία.
  - Μην περπατάτε προς τα πίσω όταν χρησιμοποιείτε το προϊόν.
  - Σταματήστε τον κινητήρα όταν πρέπει να γείρετε το προϊόν για μεταφορά ή πριν να μετακινήσετε σε περιοχές χωρίς χορτάρι, για παράδειγμα σε μονοπάτια από χαλίκι, πέτρα και άσφαλο.
  - Μην τρέχετε με το προϊόν όταν έχει εκκινήσει ο κινητήρας. Να περπατάτε πάντα προς τα εμπρός όταν χρησιμοποιείτε το προϊόν.
  - Σβήστε τον κινητήρα προτού αλλάξετε το ύψος κοπής. Μην προβαίνετε ποτέ σε ρυθμίσεις ενώ έχει εκκινήσει ο κινητήρας.
  - Μην αφήνετε ποτέ το προϊόν εκτός του οπτικού σας πεδίου ενώ έχει εκκινήσει ο κινητήρας. Βεβαιωθείτε ότι ο εξοπλισμός κοπής δεν περιστρέφεται, προτού σβήσετε τον κινητήρα.
  - Οι δονήσεις στο προϊόν στη διάρκεια της λειτουργίας μπορεί να διαφέρουν από την αναγραφόμενη τιμή δόννησης στο *Τεχνικά στοιχεία στη σελίδα 152*. Η διαφορά οφείλεται σε διακυμάνσεις στον τρόπο χρήσης του προϊόντος. Εάν χρησιμοποιείτε το προϊόν συχνά ή για μεγάλα χρονικά διαστήματα, πρέπει να κάνετε τακτικά διαλείμματα για να αποφύγετε τραυματισμούς από δονήσεις.

## Οδηγίες ασφαλείας για τη λειτουργία

### Προσωπικός εξοπλισμός προστασίας



**ΠΡΟΕΙΔΟΠΟΙΗΣΗ:** Πρωτού χρησιμοποιήσετε το προϊόν, διαβάστε τις παρακάτω προειδοποιητικές οδηγίες.

- Ο προσωπικός εξοπλισμός προστασίας δεν μπορεί να εξαλείψει τον κίνδυνο τραυματισμών, ωστόσο μειώνει τη σοβαρότητά τους σε περίπτωση ατυχήματος. Ο αντιπρόσωπος θα σας βοηθήσει να επιλέξετε το σωστό εξοπλισμό.
- Να χρησιμοποιείτε αντιολισθητικές μπότες ή παπούτσια βαρέως τύπου. Να μην χρησιμοποιείτε το προϊόν με ανοιχτά παπούτσια ή ξυπόλυτοι.
- Χρησιμοποιήστε χοντρά, μακριά παντελόνια.
- Όταν χρειάζεται, να χρησιμοποιείτε προστατευτικά γάντια, για παράδειγμα κατά την τοποθέτηση, την επιθεώρηση ή τον καθαρισμό του εξοπλισμού κοπής.
- Συνιστάται η χρήση προστατευτικών ακοής.

### Συσκευές ασφαλείας στο προϊόν



**ΠΡΟΕΙΔΟΠΟΙΗΣΗ:** Πρωτού χρησιμοποιήσετε το προϊόν, διαβάστε τις παρακάτω προειδοποιητικές οδηγίες.

- Μην χρησιμοποιείτε ποτέ το προϊόν, αν υπάρχουν ελαττωματικές συσκευές ασφαλείας.
- Μην αφαιρείτε και μην τροποποιείτε τις συσκευές ασφαλείας.
- Πρέπει να κάνετε τακτικά έλεγχο των συσκευών ασφαλείας. Αν οι συσκευές ασφαλείας είναι ελαττωματικές, απευθυνθείτε στον αντιπρόσωπο σέρβις της Husqvarna.

### Για τον έλεγχο του καλύμματος κοπής

Το κάλυμμα κοπής μειώνει τους κραδασμούς στο προϊόν και μειώνεται ο κίνδυνος τραυματισμού από τη λεπίδα.

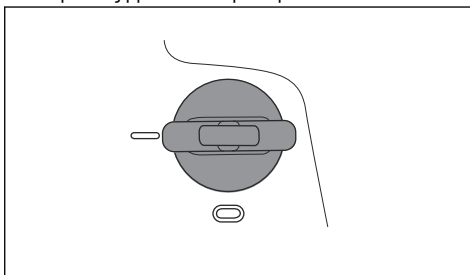
- Εξετάστε το κάλυμμα κοπής για να βεβαιωθείτε ότι δεν υπάρχουν φθορές όπως ρωγμές.

### Έλεγχος του κλειδιού ασφαλείας

Το κλειδί ασφαλείας βρίσκεται κάτω από το καπάκι της μπαταρίας. Το κλειδί ασφαλείας συνδέει την μπαταρία που τροφοδοτεί με ρεύμα τον κινητήρα.

- Για να ελέγξετε το κλειδί ασφαλείας, εκκινήστε και σβήστε τον κινητήρα.

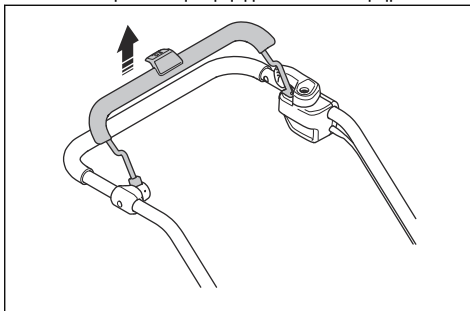
- Αν το κλειδί ασφαλείας λειτουργεί σωστά, ο κινητήρας μπορεί να εκκινήσει μόνο όταν το κλειδί ασφαλείας βρίσκεται στη θέση 1.



### Έλεγχος της λαβής του φρένου του κινητήρα

Χρησιμοποιήστε τη λαβή φρένου του κινητήρα, για να σβήσετε τον κινητήρα. Εάν απελευθερώσετε τη λαβή φρένου του κινητήρα, ο κινητήρας σβήνει.

- Θέστε το προϊόν σε λειτουργία. Ανατρέξτε στην ενότητα *Λειτουργία στη σελίδα 139*.
- Απελευθερώστε τη λαβή φρένου του κινητήρα.



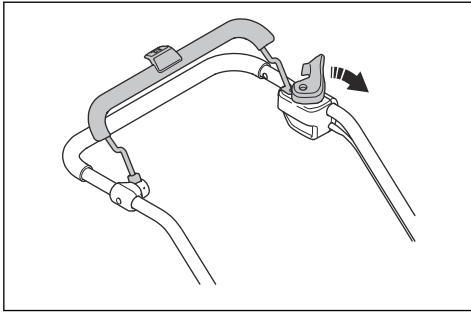
- Βεβαιωθείτε ότι το προϊόν σταματά. Αν ο κινητήρας δεν σβήσει εντός 3 δευτερολέπτων, απευθυνθείτε σε έναν εγκεκριμένο αντιπρόσωπο σέρβις της Husqvarna για τη ρύθμιση του φρένου του κινητήρα.

### Έλεγχος του αναστολέα εκκίνησης

Ελέγξτε τον αναστολέα εκκίνησης για να βεβαιωθείτε ότι εμποδίζει τη λειτουργία του κινητήρα.

1. Σπρώξτε τη λαβή φρένου του κινητήρα προς την κατεύθυνση της χειρολαβής. Ο αναστολέας εκκίνησης σταματά να κινείται.

## 2. Σπρώξτε τον αναστολέα εκκίνησης προς τα έξω.



## 3. Αφήστε τον αναστολέα εκκίνησης και βεβαιωθείτε ότι επιστρέφει στην αρχική του θέση.

- Η μπαταρία δεν φορτίζεται, εάν η θερμοκρασία της είναι μεγαλύτερη από 50 °C.
- Μην καθαρίζετε την μπαταρία ή το φορτιστή μπαταρίας με νερό. Ανατρέξτε στην ενότητα *Για να καθαρίσετε την μπαταρία και το φορτιστή μπαταρίας στη σελίδα 147*.
- Μην χρησιμοποιείτε ελαττωματικές ή κατεστραμμένες μπαταρίες.
- Φυλάσσετε τις μπαταρίες μακριά από μεταλλικά αντικείμενα, όπως καρφιά, νομίσματα και κοσμήματα.

## Ασφάλεια φορτιστή μπαταρίας



### ΠΡΟΕΙΔΟΠΟΙΗΣΗ:

Προτού χρησιμοποιήσετε το προϊόν, διαβάστε τις παρακάτω προειδοποιητικές οδηγίες.

## Ασφάλεια μπαταρίας



**ΠΡΟΕΙΔΟΠΟΙΗΣΗ:** Προτού χρησιμοποιήσετε το προϊόν, διαβάστε τις παρακάτω προειδοποιητικές οδηγίες.

- Χρησιμοποιείτε επαναφορτιζόμενες μπαταρίες της Husqvarna ως πηγή ηλεκτρικής ισχύος μόνο για τα σχετικά προϊόντα της Husqvarna. Για την αποφυγή τραυματισμών, μην χρησιμοποιείτε την μπαταρία ως πηγή ηλεκτρικής ισχύος για άλλες συσκευές.
- Μην χρησιμοποιείτε μη επαναφορτιζόμενες μπαταρίες.
- Κίνδυνος ηλεκτροπληξίας. Μην συνδέετε τους ακροδέκτες της μπαταρίας σε κλειδιά, νομίσματα, βίδες ή άλλα μεταλλικά αντικείμενα. Αυτό μπορεί να προκαλέσει βραχυκύκλωμα της μπαταρίας.
- Μην τοποθετείτε αντικείμενα μέσα στις εγκοπές αερισμού της μπαταρίας.
- Διατηρείτε την μπαταρία μακριά από την ηλιακή ακτινοβολία, τη θερμότητα ή τις γυμνές φλόγες. Η μπαταρία μπορεί να εκραγεί και να προκαλέσει εγκαύματα ή/και χημικά εγκαύματα.
- Διατηρείτε την μπαταρία μακριά από συνθήκες βροχής και υγρασίας.
- Διατηρείτε την μπαταρία μακριά από πηγές μικροκυμάτων και υψηλής πίεσης.
- Μην προσπαθήσετε να αποσυναρμολογήσετε ή να διαλύσετε την μπαταρία.
- Αν η μπαταρία εμφανίσει διαρροή, φροντίστε το υγρό να μην έρθει σε επαφή με το δέρμα ή τα μάτια σας. Αν έρθετε σε επαφή με το υγρό, καθαρίστε την περιοχή με μεγάλη ποσότητα νερού και ζητήστε ιατρική βοήθεια.
- Χρησιμοποιείτε την μπαταρία του προϊόντος μόνο όταν η θερμοκρασία περιβάλλοντος είναι μεταξύ 5 °C και 40 °C.
- Χρησιμοποιείτε τον φορτιστή μπαταρίας μόνο όταν η θερμοκρασία περιβάλλοντος είναι μεταξύ 5 °C και 40 °C.
- Χρησιμοποιείτε τους φορτιστές μπαταρίας QC για να φορτίζετε μόνο τις ανταλλακτικές μπαταρίες της Husqvarna.
- Κίνδυνος ηλεκτροπληξίας ή βραχυκυκλώματος. Μην τοποθετείτε αντικείμενα μέσα στις εγκοπές αερισμού του φορτιστή. Μην επιχειρείτε να αποσυναρμολογήσετε το φορτιστή μπαταρίας. Μην συνδέετε ποτέ τους ακροδέκτες του φορτιστή σε μεταλλικά αντικείμενα. Χρησιμοποιήστε μια εγκεκριμένη πρίζα.
- Αυτό το προϊόν παράγει ηλεκτρομαγνητικό πεδίο κατά τη λειτουργία του. Το πεδίο αυτό, υπό ορισμένες συνθήκες, μπορεί να προκαλέσει παρεμβολές σε ενεργά ή παθητικά ιατρικά εμφυτεύματα. Προκειμένου να μειωθεί ο κίνδυνος παθήσεων που μπορεί να προκαλέσουν τραυματισμό ή θάνατο, συνιστούμε στα άτομα με ιατρικά εμφυτεύματα να συμβουλευτούν το θεράποντα ιατρό τους και τον κατασκευαστή του ιατρικού εμφυτεύματος, πριν να θέσουν το προϊόν σε λειτουργία.
- Να βεβαιώνετε τακτικά ότι το καλώδιο ρεύματος του φορτιστή της μπαταρίας δεν έχει υποστεί ζημιά και ότι δεν παρουσιάζει ρωγμές.
- Μην σηκώνετε το φορτιστή μπαταρίας από το καλώδιο ρεύματος. Για να αποσυνδέσετε το φορτιστή της μπαταρίας από την πρίζα, τραβήξτε το βύσμα. Μην τραβάτε το καλώδιο.
- Διατηρείτε το καλώδιο ρεύματος και το καλώδιο επέκτασης μακριά από νερό, λάδι και αιχμηρές γωνίες. Βεβαιωθείτε ότι το καλώδιο δεν έχει μαγκώσει σε πόρτες, φράκτες ή παρόμοια σημεία. Μπορεί να προκληθεί κίνδυνος τροφοδοσίας ρεύματος στο φορτιστή.
- Μην καθαρίζετε τον φορτιστή μπαταρίας με νερό.
- Ο φορτιστής της μπαταρίας μπορεί να χρησιμοποιηθεί από παιδιά ηλικίας από 8 ετών και άνω και από άτομα με περιορισμένες σωματικές, αισθητήριες ή διανοητικές ικανότητες ή από άτομα χωρίς εμπειρία και γνώση, εφόσον τον χρησιμοποιούν υπό επίτηρηση ή έχουν λάβει οδηγίες σχετικά με την ασφαλή χρήση του και κατανοούν τους κινδύνους που ενέχονται. Τα παιδιά δεν πρέπει

να παίζουν με το φορτιστή της μπαταρίας. Τα παιδιά δεν πρέπει να εκτελούν εργασίες καθαρισμού και συντήρησης χωρίς επίβλεψη.

- Μην φορτίζετε μη επαναφορτιζόμενες μπαταρίες με το φορτιστή της μπαταρίας.
- Μη χρησιμοποιείτε το φορτιστή μπαταρίας κοντά σε εύφλεκτα υλικά ή υλικά που μπορούν να προκαλέσουν διάβρωση. Μην καλύπτετε το φορτιστή μπαταρίας. Σε περίπτωση έκλυσης καπνού ή πυρκαγιάς, βγάλτε το φορτιστή μπαταρίας από την πρίζα.
- Μη χρησιμοποιείτε φορτιστή μπαταρίας που παρουσιάζει ελάττωμα ή έχει υποστεί ζημιά.
- Φορτίζετε την μπαταρία μόνο σε εσωτερικό και καλά αεριζόμενο χώρο μακριά από την ηλικιακή ακτινοβολία. Μην φορτίζετε την μπαταρία σε συνθήκες υγρασίας.

## Οδηγίες ασφαλείας για τη συντήρηση



**ΠΡΟΕΙΔΟΠΟΙΗΣΗ:** Προτού χρησιμοποιήσετε το προϊόν, διαβάστε τις παρακάτω προειδοποιητικές οδηγίες.

- Για την αποφυγή ακούσιας εκκίνησης κατά τις εργασίες συντήρησης, γυρίστε το κλειδί ασφαλείας στη θέση "0" και αφαιρέστε την μπαταρία. Περιμένετε τουλάχιστον για 5 δευτερόλεπτα προτού ξεκινήσετε τις εργασίες συντήρησης.
- Να πραγματοποιείτε μόνο τις εργασίες συντήρησης που περιλαμβάνονται στο παρόν εγχειρίδιο χρήσης. Οι εκτεταμένες εργασίες και οι επαγγελματικές

επισκευές πρέπει να εκτελούνται από εγκεκριμένο αντιπρόσωπο σέρβις. Επικοινωνήστε με τον πλησιέστερο αντιπρόσωπο σέρβις για περισσότερες πληροφορίες.

- Να εκτελείτε σωστά τις εργασίες συντήρησης για να αυξήσετε τη διάρκεια ζωής του προϊόντος και να μειώσετε τον κίνδυνο ατυχημάτων.
- Φροντίστε να αντικαθιστάτε τυχόν κατεστραμμένα, φθαρμένα ή σπασμένα εξαρτήματα. Να χρησιμοποιείτε πάντα γνήσια ανταλλακτικά από τον κατασκευαστή. Άλλα ανταλλακτικά μπορεί να προκαλέσουν ζημιά στο προϊόν και να αυξήσουν τον κίνδυνο ατυχημάτων.
- Για την αποφυγή τραυματισμών, μην αφαιρείτε και μην τροποποιείτε τις συσκευές ασφαλείας.
- Φοράτε ανθεκτικά γάντια όταν χρησιμοποιείτε τον εξοπλισμό κοπής. Η λεπίδα είναι πολύ κοφτερή και μπορεί εύκολα να κοπείτε.
- Διατηρείτε την κοπτική ακμή αιχμηρή και καθαρή για καλύτερη απόδοση και μεγαλύτερη ασφάλεια.
- Να αναθέτετε στον αντιπρόσωπο σέρβις να ελέγχει συχνά το προϊόν και να κάνει τις απαραίτητες ρυθμίσεις και επισκευές.
- Τηρείτε τις οδηγίες για την αλλαγή των αξεσουάρ. Χρησιμοποιήστε μόνο αξεσουάρ του κατασκευαστή.
- Αποθηκεύετε το προϊόν, την μπαταρία και τον φορτιστή μπαταρίας ξεχωριστά σε κλειδωμένο εσωτερικό χώρο χωρίς υγρασία, όταν δεν τα χρησιμοποιείτε. Βεβαιωθείτε ότι τα παιδιά και τα μη εξουσιοδοτημένα άτομα δεν έχουν πρόσβαση στο προϊόν, την μπαταρία ή τον φορτιστή μπαταρίας.

## Συναρμολόγηση

### Εισαγωγή



**ΠΡΟΕΙΔΟΠΟΙΗΣΗ:** Πριν συναρμολογήσετε το προϊόν, διαβάστε το κεφάλαιο για την ασφάλεια.

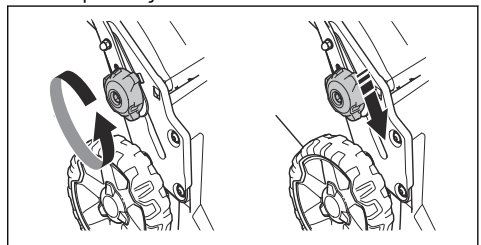


**ΠΡΟΕΙΔΟΠΟΙΗΣΗ:** Για την αποφυγή ακούσιας εκκίνησης κατά τη συναρμολόγηση, γυρίστε το κλειδί ασφαλείας στη θέση "0", αφαιρέστε την μπαταρία και περιμένετε τουλάχιστον για 5 δευτερόλεπτα.

### Ρύθμιση της λαβής

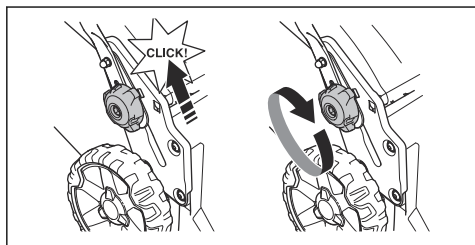
1. Χαλαρώστε τις κάτω χειρόβιδες.

2. Μετακινήστε τους μοχλούς στο κατώτερο άκρο των αυλακώσεων από την αριστερή και τη δεξιά πλευρά του προϊόντος.



3. Ρυθμίστε το ύψος της χειρολαβής σε μία από τις 2 διαθέσιμες θέσεις.

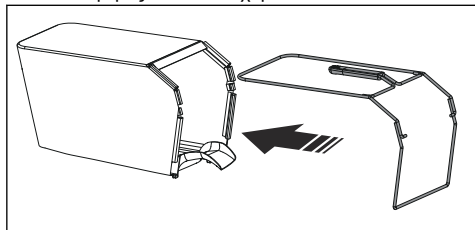
4. Μετακινήστε τους μοχλούς προς την κατεύθυνση της χειρολαβής μέχρι να σταματήσουν και να ακούσετε ένα κλικ.



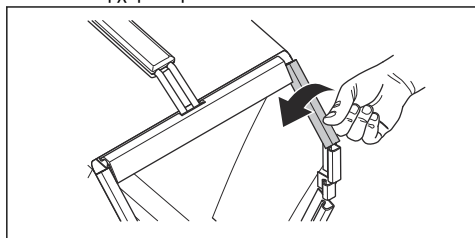
5. Σφίξτε πλήρως τις χειρόβιδες.

## Συναρμολόγηση του συλλέκτη χόρτου

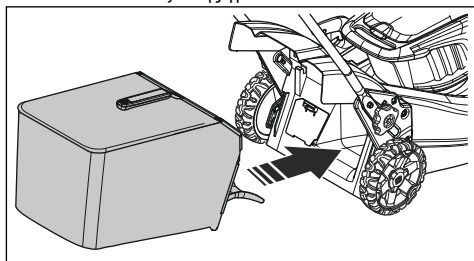
1. Τοποθετήστε το πλαίσιο συλλέκτη χόρτου στον σάκο χόρτου με το άκαμπτο τμήμα του σάκου να ακουμπά στο έδαφος. Κρατήστε τη λαβή του πλαισίου στο επάνω μέρος του σάκου χόρτου.



2. Τοποθετήστε το κάτω τμήμα του πλαισίου του συλλέκτη χόρτου στην εγκοπή στο κάτω μέρος του συλλέκτη χόρτου.
3. Στερεώστε τον σάκο χόρτου στο πλαίσιο του συλλέκτη χόρτου με τα κλιπ.

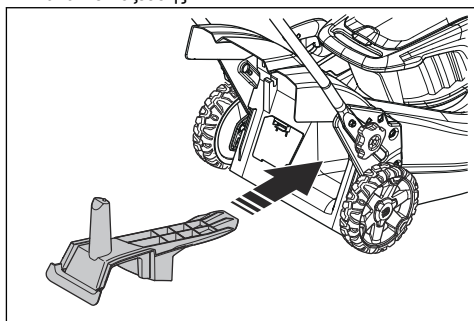


4. Ανασηκώστε το πίσω κάλυμμα.
5. Συνδέστε το συλλέκτη χόρτου στο επάνω άκρο του σασί.
6. Τοποθετήστε το κάτω τμήμα του συλλέκτη χόρτου στο κανάλι εκτόξευσης γρασιδιού.



## Συναρμολόγηση του πώματος χορτολιπάσματος (αξεσουάρ)

1. Ανασηκώστε το πίσω κάλυμμα και αφαιρέστε το συλλέκτη χόρτου.
2. Τοποθετήστε το πώμα χορτολιπάσματος μέσα στο κανάλι εκτόξευσης.



3. Αντικαταστήστε τη λεπίδα με τη λεπίδα χορτολιπάσματος που παρέχεται στο κιτ χορτολιπάνησης. Ανατρέξτε στην ενότητα *Αντικατάσταση της λεπίδας στη σελίδα 147.*

## Λειτουργία

### Εισαγωγή



**ΠΡΟΕΙΔΟΠΟΙΗΣΗ:** Προτού χρησιμοποιήσετε το προϊόν, πρέπει να διαβάσετε και να κατανοήσετε το κεφάλαιο για την ασφάλεια.

### Husqvarna Connect

Η Husqvarna Connect είναι μια δωρεάν εφαρμογή για τη φορητή συσκευή σας. Η εφαρμογή Husqvarna Connect παρέχει εκτεταμένες λειτουργίες για το προϊόν σας Husqvarna:

- Περισσότερες πληροφορίες για το προϊόν.
- Πληροφορίες και βοήθεια για τα ανταλλακτικά και το σέρβις του προϊόντος.



## Εκκίνηση χρήσης του Husqvarna Connect

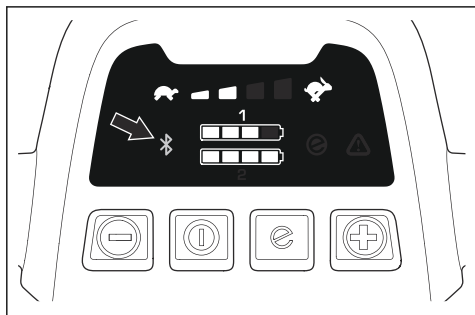
1. Κατεβάστε την εφαρμογή Husqvarna Connect στη φορητή συσκευή σας.
2. Εγγραφείτε στην εφαρμογή Husqvarna Connect.
3. Ακολουθήστε τα βήματα των οδηγιών που θα βρείτε στην εφαρμογή Husqvarna Connect για να συνδέσετε και να καταχωρήσετε το προϊόν.

**Περιεχόμενα** Η εφαρμογή Husqvarna Connect δεν είναι διαθέσιμη για λήψη σε όλες τις αγορές. Απευθυνθείτε στον αντιπρόσωπο σέρβις για περισσότερες πληροφορίες.

## Πληροφορίες Bluetooth® (LC 347iVX, LC 353iVX)

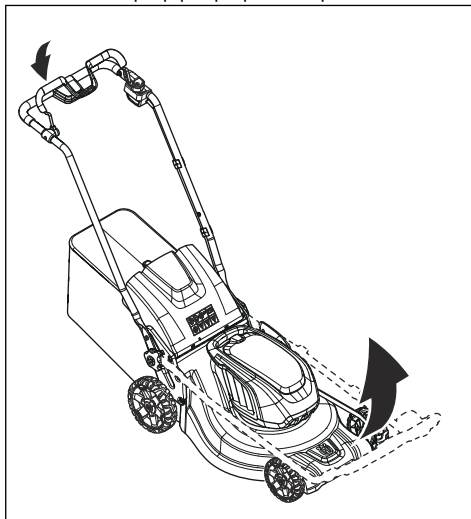
### Ασύρματη τεχνολογία Bluetooth®

Το σύμβολο της ασύρματης τεχνολογίας *Bluetooth®* ανάβει όταν η συσκευή κινητού τηλεφώνου είναι συνδεδεμένη στο προϊόν.

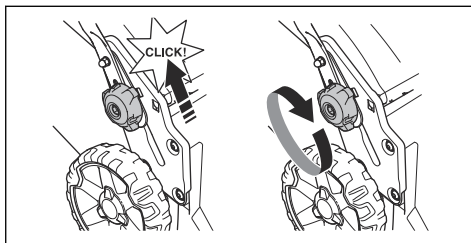


## Ρύθμιση του προϊόντος στη θέση λειτουργίας

1. Διπλώστε τη λαβή στην όρθια θέση.



2. Μετακινήστε τους μοχλούς προς την κατεύθυνση της χειρολαβής μέχρι να σταματήσουν και να ακούσετε ένα κλικ.



3. Σφίξτε καλά τις χειρόβιδες.



**ΠΡΟΕΙΔΟΠΟΙΗΣΗ:** Μην χρησιμοποιείτε το προϊόν εάν η λαβή δεν είναι πλήρως αναδιπλωμένη και δεν έχει ρυθμιστεί σε μία από τις κατάλληλες θέσεις ύψους. Ανατρέξτε στην ενότητα *Ρύθμιση της λαβής στη σελίδα 138*.

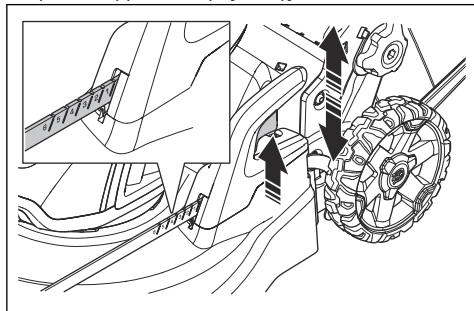
## Ρύθμιση του ύψους κοπής

Το ύψος κοπής μπορεί να ρυθμιστεί σε 6 διαφορετικές θέσεις.

1. Μετακινήστε τον μοχλό ύψους κοπής προς τα κάτω για να μειώσετε το ύψος κοπής.



2. Μετακινήστε τον μοχλό ύψους κοπής προς τα επάνω για να αυξήσετε το ύψος κοπής.



**ΠΡΟΣΟΧΗ:** Μην ρυθμίζετε το ύψος κοπής πολύ χαμηλά. Οι λεπίδες μπορεί να χτυπήσουν στο έδαφος αν η επιφάνεια του χλοοτάπητα δεν είναι επίπεδη.

## Μπαταρία



**ΠΡΟΕΙΔΟΠΟΙΗΣΗ:** Προτού χρησιμοποιήσετε την μπαταρία, πρέπει να διαβάσετε και να κατανοήσετε το κεφάλαιο σχετικά με την ασφάλεια. Πρέπει επίσης να διαβάσετε και να κατανοήσετε το εγχειρίδιο χρήσης για την μπαταρία και τον φορτιστή της μπαταρίας.

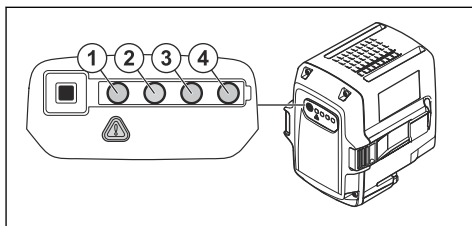
Διατηρείτε την μπαταρία και τον φορτιστή μπαταρίας στις σωστές θερμοκρασίες περιβάλλοντος.

	Θερμοκρασία περιβάλλοντος
Λειτουργία της μπαταρίας	5 °C - 40 °C
Φόρτιση μπαταρίας	5 °C - 40 °C

## Κατάσταση μπαταρίας

Στην οθόνη εμφανίζονται η εναπομένονσα χωρητικότητα της μπαταρίας και τυχόν προβλήματα της μπαταρίας. Η χωρητικότητα της μπαταρίας εμφανίζεται για 5 δευτερόλεπτα μετά την απενεργοποίηση του προϊόντος ή το πάτημα του κουμπιού της ένδειξης μπαταρίας. Το προειδοποιητικό σύμβολο στην μπαταρία ανάβει

όταν παρουσιαστεί σφάλμα. Ανατρέξτε στην ενότητα *Μπαταρία στη σελίδα 148.*



Ενδεικτικές λυχνίες LED	Κατάσταση μπαταρίας
Όλες οι ενδεικτικές λυχνίες LED είναι αναμμένες	Πλήρως φορτισμένη (75-100%)
Οι ενδεικτικές λυχνίες LED 1, LED 2, LED 3 είναι αναμμένες	Η μπαταρία είναι φορτισμένη κατά 50%-75%
Οι ενδεικτικές λυχνίες LED 1, LED 2 είναι αναμμένες	Η μπαταρία είναι φορτισμένη κατά 25%-50%
Η ενδεικτική λυχνία LED 1 είναι αναμμένη	Η μπαταρία είναι φορτισμένη κατά 0%-25%.
Η ενδεικτική λυχνία LED 1 αναβοσβήνει	Η μπαταρία είναι άδεια. Φορτίστε την μπαταρία.

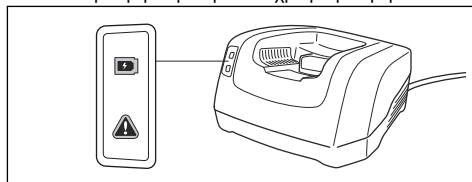
## Φόρτιση της μπαταρίας

Φορτίστε την μπαταρία πριν από την πρώτη χρήση. Η μπαταρία είναι φορτισμένη μόνο κατά 30% όταν παρέχεται στον πελάτη.

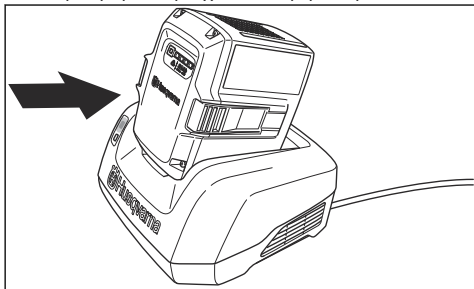
**Περιεχόμενα** Ο φορτιστής της μπαταρίας πρέπει να συνδέεται σε παροχή με τάση και συχνότητα ίδια με αυτή που ορίζεται στην πινακίδα στοιχείων.

Η φόρτιση της μπαταρίας δεν είναι δυνατή αν η θερμοκρασία της μπαταρίας είναι μεγαλύτερη από 50 °C. Ο φορτιστής της μπαταρίας μειώνει τη θερμοκρασία πριν ξεκινήσει η φόρτιση.

1. Συνδέστε το ένα άκρο του καλωδίου ρεύματος του φορτιστή μπαταρίας στην υποδοχή του φορτιστή μπαταρίας.
2. Συνδέστε το άλλο άκρο του καλωδίου ρεύματος του φορτιστή μπαταρίας σε μια γειωμένη πρίζα. Η ενδεικτική λυχνία LED στον φορτιστή της μπαταρίας θα αναβοσβήσει με πράσινο χρώμα μία φορά.



3. Τοποθετήστε την μπαταρία στο φορτιστή μπαταρίας. Όταν η μπαταρία συνδεθεί σωστά στον φορτιστή, ανάβει η πράσινη λυχνία στον φορτιστή.



4. Η μπαταρία είναι πλήρως φορτισμένη, όταν ανάψουν όλες οι λυχνίες LED στην μπαταρία. Ο μέγιστος χρόνος φόρτισης της μπαταρίας δεν θα πρέπει να υπερβαίνει τις 24 ώρες.
5. Για να αποσυνδέσετε τον φορτιστή της μπαταρίας από την πρίζα, τραβήξτε το φις και όχι το καλώδιο.
6. Αφαιρέστε την μπαταρία από το φορτιστή.

### Κατάσταση φόρτισης της μπαταρίας

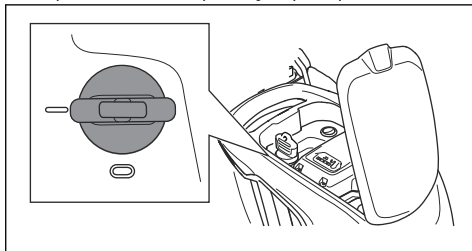
Μια μπαταρία ιόντων λιθίου της Husqvarna μπορεί να φορτιστεί ή να χρησιμοποιηθεί σε όλα τα επίπεδα φόρτισης. Δεν προκαλείται ζημιά στην μπαταρία. Μια πλήρως φορτισμένη μπαταρία δεν θα χάσει το φορτίο της όταν παραμείνει στον φορτιστή.

Οθόνη LED	Κατάσταση φόρτισης
Η ενδεικτική λυχνία LED 1 αναβοσβήνει	0%-25%
Η ενδεικτική λυχνία LED 1 είναι αναμμένη, η ενδεικτική λυχνία LED 2 αναβοσβήνει	25%-50%
Οι ενδεικτικές λυχνίες LED 1, LED 2 είναι αναμμένες, η ενδεικτική λυχνία LED 3 αναβοσβήνει	50%-75%
Οι ενδεικτικές λυχνίες LED 1, LED 2, LED 3 είναι αναμμένες, η ενδεικτική λυχνία LED 4 αναβοσβήνει	75%-100%
Οι λυχνίες LED 1, LED 2, LED 3, LED 4 είναι αναμμένες	Πλήρως φορτισμένη

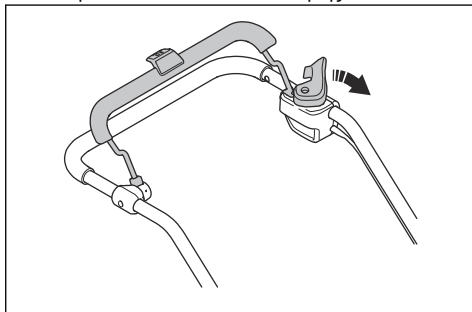
### Εκκίνηση λειτουργίας του προϊόντος (LC 247i)

1. Ανοίξτε το καπάκι της μπαταρίας.

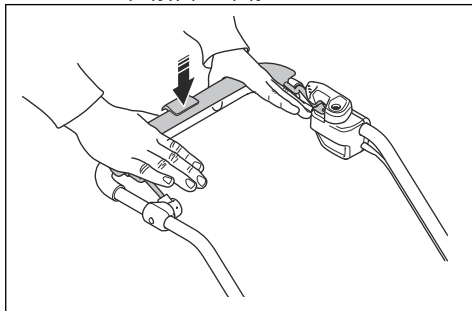
2. Τοποθετήστε μια φορτισμένη μπαταρία σε μία από τις βάσεις μπαταρίας. Για μεγαλύτερη διάρκεια λειτουργίας, τοποθετήστε μια δεύτερη φορτισμένη μπαταρία στην άλλη βάση μπαταρίας.



4. Να παραμένετε πίσω από το προϊόν.
5. Χαλαρώστε τον αναστολέα εκκίνησης.



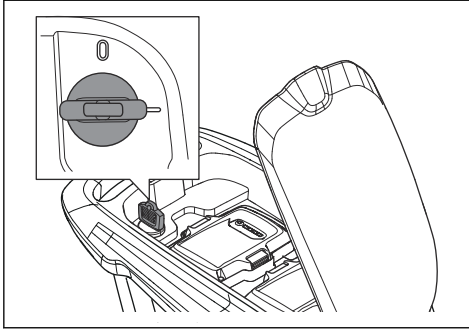
6. Σπρώξτε τη λαβή φρένου του κινητήρα προς την κατεύθυνση της χειρολαβής.



### Εκκίνηση λειτουργίας του προϊόντος (LC 347iVX, LC 353iVX)

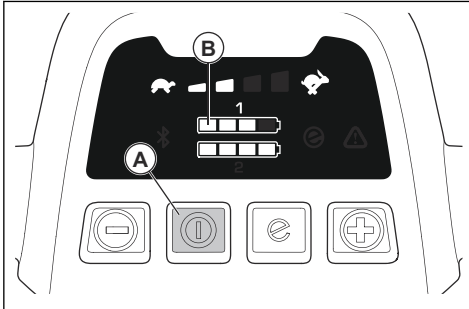
1. Ανοίξτε το καπάκι της μπαταρίας.
2. Τοποθετήστε μια φορτισμένη μπαταρία σε μία από τις βάσεις μπαταρίας. Για μεγαλύτερη διάρκεια λειτουργίας, τοποθετήστε μια δεύτερη φορτισμένη μπαταρία στην άλλη βάση μπαταρίας.

3. Γυρίστε το κλειδί ασφαλείας στη θέση "1".

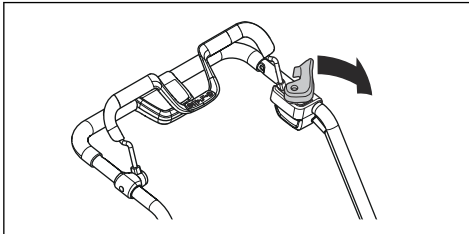


4. Να παραμένετε πίσω από το προϊόν.

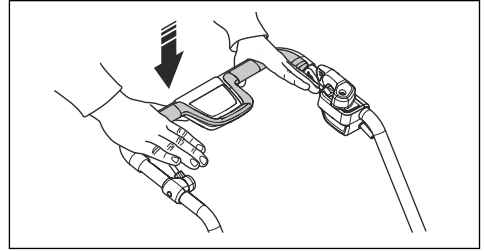
5. Πατήστε το κουμπί ON/OFF (A) στο ταμπλό ελέγχου. Η οθόνη ενδείξεων ενεργοποιείται. Η ένδειξη της μπαταρίας (B) δείχνει το επίπεδο φόρτισης των 2 μπαταριών. Ο αριθμός της μπαταρίας που λειτουργεί εμφανίζεται δίπλα στην ένδειξη της μπαταρίας. Για τα μοντέλα LC 347iVX, LC 353iVX, η οθόνη ενδείξεων εμφανίζει επίσης τη ρυθμισμένη ταχύτητα.



6. Χαλαρώστε τον αναστολέα εκκίνησης.

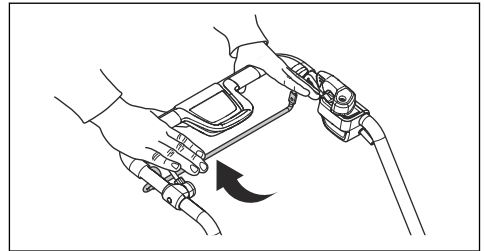


7. Σπρώξτε τη λαβή φρένου του κινητήρα προς την κατεύθυνση της χειρολαβής.

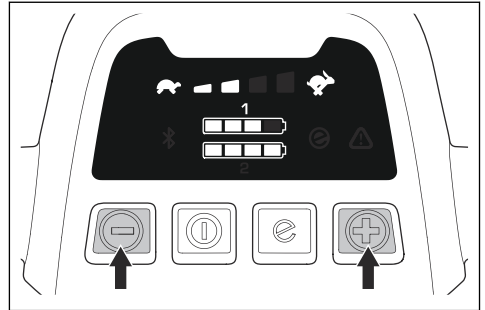


## Χρήση της κίνησης στους τροχούς LC 347iVX, LC 353iVX

- Για να ξεκινήσετε την πορεία, τραβήξτε την ασφάλεια κίνησης προς την κατεύθυνση της χειρολαβής.



- Πατήστε + και - στο ταμπλό ελέγχου για να ρυθμίσετε την ταχύτητα κίνησης σε 4 βήματα.

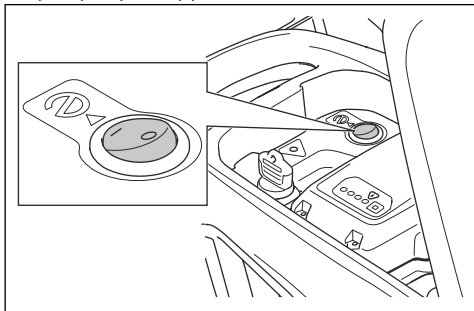


- Απελευθερώστε την ασφάλεια κίνησης για να αποδεσμεύσετε την κίνηση, για παράδειγμα όταν βρίσκαστε κοντά σε κάποιο εμπόδιο.

## Για να χρησιμοποιήσετε τη λειτουργία SavE™ (LC 247i)

Το προϊόν διαθέτει μια λειτουργία εξοικονόμησης μπαταρίας (SavE™) για μεγαλύτερη διάρκεια λειτουργίας.

- Πατήστε το κουμπί SavE™ στη θέση 1 για να ξεκινήσει η λειτουργία.



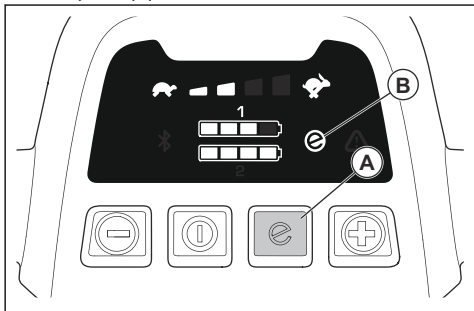
- Πατήστε το κουμπί SavE™ στη θέση 0 για να διακόψετε τη λειτουργία.

**Περιεχόμενα** Η λειτουργία SavE™ αυτόματα αν οι συνθήκες εδάφους απαιτούν υψηλότερη απόδοση. Η λειτουργία SavE™ εκκινείται ξανά αυτόματα όταν το επιτρέψουν οι συνθήκες εδάφους.

## Για να χρησιμοποιήσετε τη λειτουργία SavE™ (LC 347iVX, LC 353iVX)

Το προϊόν διαθέτει μια λειτουργία εξοικονόμησης μπαταρίας (SavE™) για μεγαλύτερη διάρκεια λειτουργίας.

1. Πατήστε το κουμπί SavE™ (A) για να εκκινήσετε τη λειτουργία. Το σύμβολο SavE™ (B) στην οθόνη ενδείξων ανάβει.
2. Πατήστε ξανά το κουμπί SavE™ για να διακόψετε τη λειτουργία. Το σύμβολο SavE™ (B) στην οθόνη ενδείξων σβήνει.



**Περιεχόμενα** Η λειτουργία SavE™ αυτόματα αν οι συνθήκες εδάφους απαιτούν υψηλότερη απόδοση. Η λειτουργία SavE™ εκκινείται ξανά αυτόματα όταν το επιτρέψουν οι συνθήκες εδάφους.

## Λειτουργία υψηλού φορτίου

Οι σ.α.λ. του κινητήρα αυξάνονται αυτόματα, όταν το προϊόν κόβει μακρύ ή νωπό χορτάρι. Ο κινητήρας

επιστρέφει σε κανονική λειτουργία όταν δεν απαιτείται υψηλό φορτίο.

## Αυτόματη επανεκκίνηση

Στη διάρκεια της λειτουργίας, η λεπίδα και το μοτέρ μπορεί να σταματήσουν προσωρινά, λόγω εμποδίων όπως το μπλοκάρισμα του χορταριού κάτω από το κάλυμμα κοπής. Εάν συμβεί αυτό και κρατήσετε πατημένη τη λαβή φρένου του κινητήρα, το προϊόν προσπαθεί να επανεκκινηθεί αυτόματα. Αν το προϊόν δεν επανεκκινηθεί σε 5 δευτερόλεπτα, μπορεί να χρειαστεί να το καθαρίσετε κάτω από το κάλυμμα κοπής. Ανατρέξτε στην ενότητα *Καθαρισμός του προϊόντος στη σελίδα 147*.



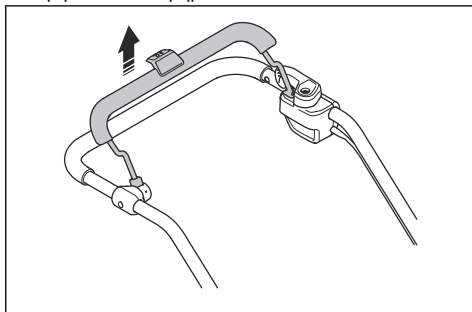
**ΠΡΟΕΙΔΟΠΟΙΗΣΗ:** Πριν από τον έλεγχο του καλύμματος κοπής, αφήστε τη λαβή φρένου του κινητήρα, γυρίστε το κλειδί ασφαλείας στη θέση 0, αφαιρέστε την μπαταρία και περιμένετε τουλάχιστον 5 δευτερόλεπτα. Υπάρχει κίνδυνος τραυματισμού σε περίπτωση αφαίρεσης του εμποδίου και της τυχαίας εκκίνησης του προϊόντος.

## Διακοπή λειτουργίας του προϊόντος (LC 247i)

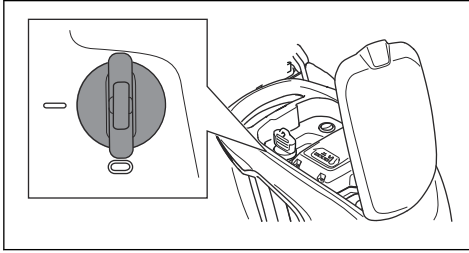


**ΠΡΟΕΙΔΟΠΟΙΗΣΗ:** Γυρίστε το κλειδί ασφαλείας στη θέση "0" προτού αφήσετε το προϊόν εκτός του οπτικού σας πεδίου.

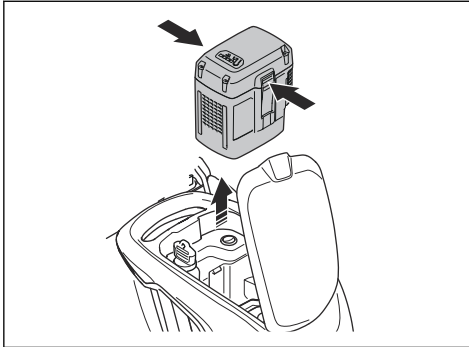
1. Απελευθερώστε τη λαβή φρένου του κινητήρα για να σβήσετε τον κινητήρα.



2. Ανοίξτε το καπάκι της μπαταρίας και γυρίστε το κλειδί ασφαλείας στη θέση "0".



3. Για να αφαιρέσετε την μπαταρία, πατήστε τα 2 κουμπιά απασφάλισης και τραβήξτε την μπαταρία προς τα έξω.



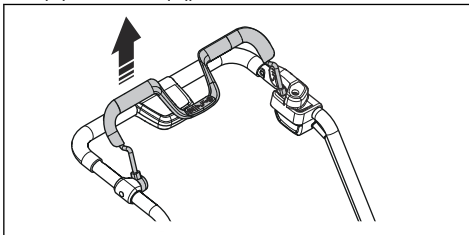
4. Φορτίστε την μπαταρία, αν η στάθμη φόρτισης είναι πολύ χαμηλή. Για περισσότερες πληροφορίες, ανατρέξτε στην ενότητα *Φόρτιση της μπαταρίας στη σελίδα 141*.

## Διακοπή λειτουργίας του προϊόντος (LC 347iVX, LC 353iVX)

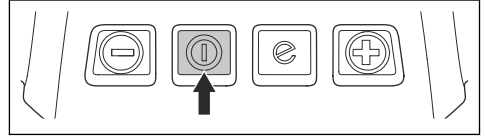


**ΠΡΟΕΙΔΟΠΟΙΗΣΗ:** Γυρίστε το κλειδί ασφαλείας στη θέση "0" προτού αφήσετε το προϊόν εκτός του οπτικού σας πεδίου.

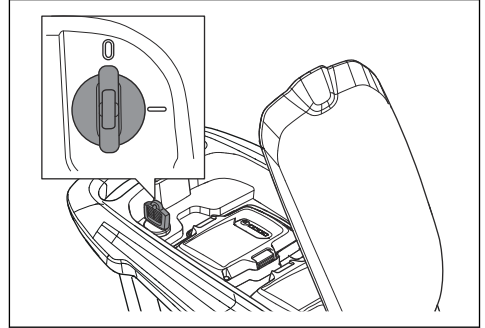
1. Απελευθερώστε τη λαβή φρένου του κινητήρα για να σβήσετε τον κινητήρα.



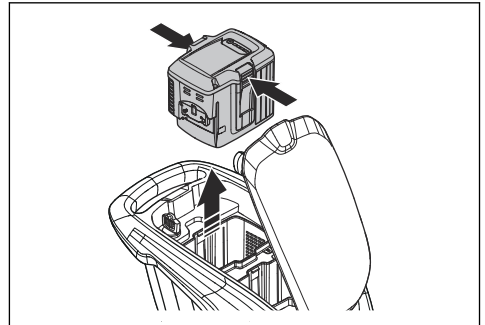
2. Πατήστε το κουμπί ON/OFF στο ταμπλό ελέγχου. Όλες οι λυχνίες LED και τα σύμβολα στην οθόνη ενδείξεων σβήνουν.



3. Ανοίξτε το καπάκι της μπαταρίας και γυρίστε το κλειδί ασφαλείας στη θέση "0".



4. Για να αφαιρέσετε την μπαταρία, πατήστε τα 2 κουμπιά απασφάλισης και τραβήξτε την μπαταρία προς τα έξω.



5. Φορτίστε την μπαταρία, αν η στάθμη φόρτισης είναι πολύ χαμηλή. Για περισσότερες πληροφορίες, ανατρέξτε στην ενότητα *Φόρτιση της μπαταρίας στη σελίδα 141*.

**Περιεχόμενα** Το προϊόν απενεργοποιείται αυτόματα, αν δεν το χρησιμοποιήσετε για μερικά λεπτά. Για να εκκινήσετε ξανά το προϊόν, βλ. *Εκκίνηση λειτουργίας του προϊόντος (LC 347iVX, LC 353iVX) στη σελίδα 142*.

## Για ένα καλό αποτέλεσμα

- Να χρησιμοποιείτε πάντα μια ακονισμένη λεπίδα. Η στομωμένη λεπίδα δίνει ένα ακανόνιστο αποτέλεσμα και η επιφάνεια κοπής του γρασιδιού γίνεται κίτρινη. Επίσης, η ακονισμένη λεπίδα χρησιμοποιεί λιγότερη ενέργεια από μια στομωμένη λεπίδα.
- Να μην κόβετε ποτέ πάνω από το 1/3 του μήκους του γρασιδιού. Να κόβετε πρώτα με το ύψος κοπής ρυθμισμένο σε υψηλό. Εξετάστε το αποτέλεσμα και χαμηλώστε το ύψος κοπής σε κατάλληλο επίπεδο. Αν το γρασίδι είναι πολύ μακρύ, οδηγήστε αργά και κόψτε 2 φορές, αν είναι απαραίτητο.
- Να κόβετε κάθε φορά σε διαφορετικές κατευθύνσεις για να αποφεύγετε τις ρίγες στο γκαζόν.
- Διατηρείτε το κάλυμμα κοπής καθαρό. Η συσσώρευση γρασιδιού και ακαθαρσιών στην εσωτερική πλευρά του καλύμματος κοπής μπορεί να μειώσει το αποτέλεσμα κοπής. Ανατρέξτε στην ενότητα *Καθαρισμός του προϊόντος στη σελίδα 147*.

## Κοπή χόρτου χωρίς τοποθέτηση συλλέκτη χόρτου ή πώματος χορτολιπάσματος

- Ανασηκώστε το πίσω κάλυμμα και αφαιρέστε τον συλλέκτη χόρτου.
- Αν έχουν τοποθετηθεί πώμα χορτολιπάσματος και λεπίδα χορτολίπανσης, αφαιρέστε τα.
- Κλείστε το πίσω κάλυμμα προτού χρησιμοποιήσετε το προϊόν.

Όταν χρησιμοποιείτε το προϊόν, το κομμένο χόρτο εκτοξεύεται κάτω από το πίσω κάλυμμα.

## Συντήρηση

### Εισαγωγή



**ΠΡΟΕΙΔΟΠΟΙΗΣΗ:** Προτού εκτελέσετε εργασίες συντήρησης, πρέπει να διαβάσετε και να κατανοήσετε το κεφάλαιο για την ασφάλεια.

Για όλες τις εργασίες συντήρησης και επισκευής στο προϊόν, είναι απαραίτητη ειδική εκπαίδευση. Μπορούμε να εγγυηθούμε για τη διαθεσιμότητα των επαγγελματικών επισκευών και τη συντήρηση. Αν ο αντιπρόσωπός σας δεν είναι αντιπρόσωπος σέρβις,

μιλήστε του για πληροφορίες σχετικά με τον πλησιέστερο αντιπρόσωπο σέρβις.

Για λεπτομερέστερες πληροφορίες, ανατρέξτε στη σελίδα [www.husqvarna.com](http://www.husqvarna.com).

### Πρόγραμμα συντήρησης

Τα διαστήματα συντήρησης υπολογίζονται με βάση την καθημερινή χρήση του προϊόντος. Τα διαστήματα αλλάζουν αν το προϊόν δεν χρησιμοποιείται καθημερινά.

Για τις εργασίες συντήρησης που προσδιορίζονται με \*, βλ. οδηγίες στην ενότητα *Ασφάλεια στη σελίδα 131*.

	Σε κάθε χρήση	Κάθε μήνα	Σε κάθε σεζόν
Εκτέλεση γενικής επιθεώρησης	X		
Καθαρισμός του προϊόντος	X		
Έλεγχος του αναστολέα εκκίνησης *	X		
Έλεγχος ότι οι συσκευές ασφαλείας στο προϊόν δεν είναι ελαττωματικές *	X		
Έλεγχος του εξοπλισμού κοπής	X		
Έλεγχος του καλύμματος κοπής *	X		
Έλεγχος της λαβής φρένου του κινητήρα *	X		
Έλεγχος ότι το κουμπί ON/OFF λειτουργεί σωστά και δεν είναι ελαττωματικό	X		
Έλεγχος της μπαταρίας για τυχόν ζημιές	X		
Έλεγχος της φόρτισης της μπαταρίας	X		
Έλεγχος ότι τα κουμπιά απασφάλισης της μπαταρίας λειτουργούν σωστά και ότι η μπαταρία ασφαλίζει σωστά στο προϊόν.	X		

	Σε κάθε χρήση	Κάθε μήνα	Σε κάθε σεζόν
Έλεγχος του φορτιστή μπαταρίας για τυχόν ζημιές και έλεγχος για σωστή λειτουργία.		X	
Έλεγχος των συνδέσεων μεταξύ της μπαταρίας και του προϊόντος. Επιπλέον, έλεγχος της σύνδεσης μεταξύ της μπαταρίας και του φορτιστή μπαταρίας.			X

## Εκτέλεση γενικής επιθεώρησης

- Βεβαιωθείτε ότι τα παζιμάδια και οι βίδες πάνω στο προϊόν είναι σφιγμένα.
- Βεβαιωθείτε ότι τα καλώδια στο προϊόν δεν βραχυκύκλωμα ή ζημιά στο προϊόν.

## Καθαρισμός του προϊόντος

- Καθαρίζετε τα πλαστικά εξαρτήματα με καθαρό και στεγνό πανί.
- Μην χρησιμοποιείτε νερό για να καθαρίσετε το προϊόν. Το νερό μπορεί να εισχωρήσει στην μπαταρία ή στον κινητήρα και να προκαλέσει βραχυκύκλωμα ή ζημιά στο προϊόν.
- Μην χρησιμοποιείτε σύστημα πλύσης με υψηλή πίεση για να καθαρίσετε το προϊόν.
- Μην ρίχνετε νερό απευθείας επάνω στον κινητήρα.
- Χρησιμοποιήστε μια βούρτσα για να αφαιρέσετε φύλλα, γρασιδί και ακαθαρσίες.

## Για να καθαρίσετε την μπαταρία και το φορτιστή μπαταρίας



**ΠΡΟΕΙΔΟΠΟΙΗΣΗ:** Μην καθαρίζετε την μπαταρία ή το φορτιστή μπαταρίας με νερό.

- Βεβαιωθείτε ότι η μπαταρία και ο φορτιστής είναι καθαροί και στεγνοί προτού τοποθετήσετε την μπαταρία στον φορτιστή.
- Καθαρίστε τους πόλους της μπαταρίας με πετρεσμένο αέρα ή χρησιμοποιήστε μαλακό και στεγνό πανί.
- Καθαρίστε τις επιφάνειες της μπαταρίας και του φορτιστή της μπαταρίας με μαλακό και στεγνό πανί.

## Έλεγχος εξοπλισμού κοπής



**ΠΡΟΕΙΔΟΠΟΙΗΣΗ:** Για την αποφυγή ακούσιας εκκίνησης, γυρίστε το κλειδί ασφαλείας στη θέση "0", αφαιρέστε την μπαταρία και περιμένετε τουλάχιστον για 5 δευτερόλεπτα.



**ΠΡΟΕΙΔΟΠΟΙΗΣΗ:** Να χρησιμοποιείτε προστατευτικά γάντια όταν κάνετε συντήρηση του εξοπλισμού κοπής.

Η λεπίδα είναι πολύ κοφτερή και μπορεί εύκολα να κοπείτε.

1. Ελέγξτε τον εξοπλισμό κοπής για ζημιές ή ρωγμές. Πρέπει πάντα να αντικαθιστάτε τον εξοπλισμό κοπής, αν έχει υποστεί ζημιά.
2. Κοιτάξτε τη λεπίδα για να δείτε εάν είναι φθαρμένη ή στομωμένη.

**Περιεχόμενα** Είναι απαραίτητο να ζυγοσταθμιστεί η λεπίδα μετά το ακόνισμα. Να αναθέτετε το ακόνισμα, την αντικατάσταση και τη ζυγοστάθμιση της λεπίδας σε ένα κέντρο σέρβις. Αν χτυπήσετε κάποιο εμπόδιο και σταματήσει το προϊόν, αντικαταστήστε τη φθαρμένη λεπίδα. Το κέντρο σέρβις θα αξιολογήσει αν η λεπίδα μπορεί να ακονιστεί ή πρέπει να αντικατασταθεί.

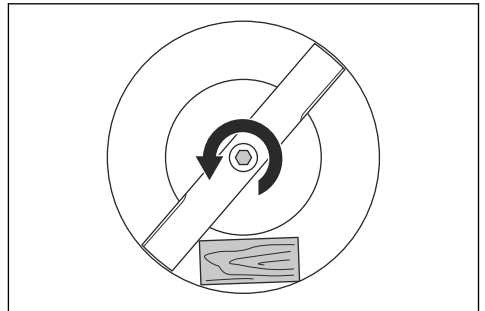
## Αντικατάσταση της λεπίδας

Ανατρέξτε στην ενότητα *Τεχνικά στοιχεία στη σελίδα 152* για τον σωστό τύπο λεπίδας.



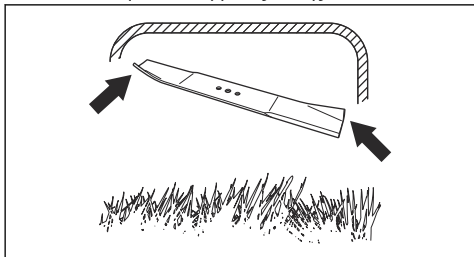
**ΠΡΟΕΙΔΟΠΟΙΗΣΗ:** Ασφαλίστε τη λεπίδα με ένα κομμάτι ξύλο για να αποφύγετε τον τραυματισμό των δαχτύλων σας κατά την αντικατάσταση της λεπίδας. Η λεπίδα μπορεί να μετακινηθεί όταν ο κινητήρας είναι σβηστός και τα δάχτυλά σας μπορεί να παγιδευτούν ανάμεσα στη λεπίδα και τα σταθερά εξαρτήματα.

1. Ασφαλίστε τη λεπίδα με έναν ξύλινο τάκο.

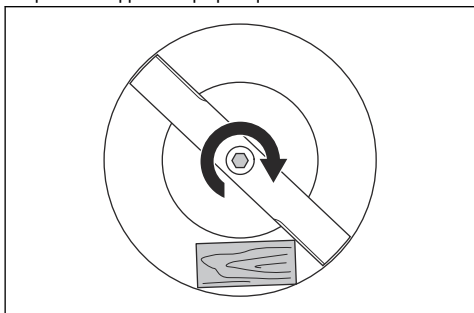


2. Αφαιρέστε τη βίδα της λεπίδας.
3. Αφαιρέστε τη λεπίδα.
4. Εξετάστε την υποστήριξη και τη βίδα της λεπίδας για να δείτε εάν υπάρχουν φθορές.

5. Βεβαιωθείτε ότι ο άξονας του κινητήρα δεν είναι λυγισμένος.
6. Όταν συνδέετε μια καινούργια λεπίδα, στρέψτε τα άκρα της λεπίδας που σχηματίζουν γωνία προς την κατεύθυνση του καλύμματος κοπής.



7. Βεβαιωθείτε ότι η λεπίδα είναι ευθυγραμμισμένη με το κέντρο του άξονα του κινητήρα.
8. Ασφαλίστε τη λεπίδα με έναν ξύλινο τάκο. Τοποθετήστε την ελατηριωτή ροδέλα και σφίξτε τη βίδα και τη ροδέλα με ροπή 23–28 Nm.



9. Περιστρέψτε τη λάμα με το χέρι και βεβαιωθείτε ότι μπορεί να περιστραφεί χωρίς προβλήματα.



**ΠΡΟΕΙΔΟΠΟΙΗΣΗ:** Να χρησιμοποιείτε γάντια μεγάλης αντοχής. Η λεπίδα είναι πολύ κοφτερή και μπορεί εύκολα να κοπείτε.

10. Εκκινήστε το προϊόν για να δοκιμάσετε τη λεπίδα. Αν η λεπίδα δεν είναι σωστά συνδεδεμένη, θα υπάρχουν κραδασμοί στο προϊόν ή το αποτέλεσμα κοπής δεν θα είναι ικανοποιητικό.

## Αντιμετώπιση προβλημάτων

### Μπαταρία

Λυχνία LED στην μπαταρία	Αιτία	Λύση
Η πράσινη λυχνία LED αναβοσβήνει.	Η τάση της μπαταρίας είναι χαμηλή.	Φορτίστε την μπαταρία. Ανατρέξτε στην ενότητα <i>Φόρτιση της μπαταρίας στη σελίδα 141</i> .



Λυχνία LED στην μπαταρία	Αιτία	Λύση
Η λυχνία LED σφάλματος αναβοσβήνει.	Η μπαταρία έχει χαμηλή στάθμη φόρτισης.	Φορτίστε την μπαταρία. Ανατρέξτε στην ενότητα <i>Φόρτιση της μπαταρίας στη σελίδα 141</i> .
	Η θερμοκρασία στο περιβάλλον εργασίας είναι πολύ υψηλή ή πολύ χαμηλή.	Χρησιμοποιήστε την μπαταρία σε θερμοκρασίες μεταξύ 5 °C και 40 °C.
	Υπέρταση.	Βεβαιωθείτε ότι η τάση του δικτύου ρεύματος είναι ίδια με εκείνη που αναγράφεται στην πινακίδα στοιχείων στο προϊόν.  Αφαιρέστε την μπαταρία από το φορτιστή. Περιμένετε 5 δευτερόλεπτα και προσπαθήστε ξανά να φορτίσετε την μπαταρία. Αν το πρόβλημα εξακολουθεί να εμφανίζεται, επικοινωνήστε με έναν εξουσιοδοτημένο αντιπρόσωπο σέρβις.
Η λυχνία LED σφάλματος είναι αναμμένη.	Η διαφορά τάσης μεταξύ των στοιχείων της μπαταρίας είναι πολύ μεγάλη (1 V).	Επικοινωνήστε με έναν εγκεκριμένο αντιπρόσωπο σέρβις.

## Φορτιστής μπαταρίας

Λυχνία LED στον φορτιστή της μπαταρίας	Αιτία	Λύση
Η λυχνία LED σφάλματος αναβοσβήνει.	Η θερμοκρασία στο περιβάλλον εργασίας είναι πολύ υψηλή ή πολύ χαμηλή.	Χρησιμοποιήστε τον φορτιστή της μπαταρίας σε θερμοκρασίες μεταξύ 5 °C και 40 °C.
Η λυχνία LED σφάλματος είναι αναμμένη.		Επικοινωνήστε με έναν εγκεκριμένο αντιπρόσωπο σέρβις.

## Χλοοκοπτικό

Η προειδοποιητική λυχνία (LED σφάλματος) βρίσκεται κάτω από το κάλυμμα της μπαταρίας ((LC 247i)) ή στον πίνακα ελέγχου ((LC 347iVX, LC 353iVX)).

Πρόβλημα	Λυχνία LED σφάλματος (αριθμός αναβοσβήσιμων)	Αιτία	Λύση
Η ενδεικτική λυχνία LED σφάλματος αναβοσβήνει. Το προϊόν δεν λειτουργεί σωστά.	3	Η λεπίδα έχει μπλοκάρει.	Γυρίστε το κλειδί ασφαλείας στη θέση 0 για να εμποδίσετε την ακούσια εκκίνηση. Αφαιρέστε την μπαταρία και περιμένετε τουλάχιστον 5 δευτερόλεπτα. Αφαιρέστε τυχόν εμπόδια και βεβαιωθείτε ότι η λεπίδα μπορεί να περιστραφεί ελεύθερα. Αν το πρόβλημα εξακολουθεί να εμφανίζεται, επικοινωνήστε με έναν εξουσιοδοτημένο αντιπρόσωπο σέρβις.
	5	Η ταχύτητα του κινητήρα μειώνεται υπερβολικά και ο κινητήρας σταματά.	Αυξήστε το ύψος κοπής. Ανατρέξτε στην ενότητα <i>Ρύθμιση του ύψους κοπής στη σελίδα 140</i> .
	6 <sup>21</sup>	Οι τροχοί ή το σύστημα μετάδοσης κίνησης είναι μπλοκαρισμένα.	Γυρίστε το κλειδί ασφαλείας στη θέση 0 για να εμποδίσετε την ακούσια εκκίνηση. Αφαιρέστε την μπαταρία και περιμένετε τουλάχιστον 5 δευτερόλεπτα. Αφαιρέστε τυχόν εμπόδια και βεβαιωθείτε ότι οι τροχοί μπορούν να περιστραφούν ελεύθερα. Αν το πρόβλημα εξακολουθεί να εμφανίζεται, επικοινωνήστε με έναν εξουσιοδοτημένο αντιπρόσωπο σέρβις.
	10	Το σύστημα ελέγχου του κινητήρα είναι πολύ ζεστό.	Σταματήστε τον κινητήρα και περιμένετε μέχρι να κρυώσει.
Η ενδεικτική λυχνία LED σφάλματος αναβοσβήνει. Το προϊόν σταματά να λειτουργεί.	0	Βλάβη συνδέσμου μπαταρίας.	Ελέγξτε τον σύνδεσμο της μπαταρίας.
	3	Υπάρχει υπερφόρτωση στον κινητήρα.	Αυξήστε το ύψος κοπής. Ανατρέξτε στην ενότητα <i>Ρύθμιση του ύψους κοπής στη σελίδα 140</i> .
	8	Η μπαταρία έχει χαμηλή στάθμη φόρτισης.	Φορτίστε την μπαταρία. Ανατρέξτε στην ενότητα <i>Φόρτιση της μπαταρίας στη σελίδα 141</i> .
	9	Σφάλμα μπαταρίας ή έλλειψη σήματος από την μπαταρία.	Τοποθετήστε σωστά την μπαταρία στο προϊόν και ελέγξτε τον σύνδεσμο της μπαταρίας. Αν η λυχνία LED σφάλματος στην μπαταρία αναβοσβήνει. Ανατρέξτε στην ενότητα <i>Μπαταρία στη σελίδα 148</i> .
	12	Λανθασμένη διαδικασία εκκίνησης. Η λαβή φρένου του κινητήρα έχει ενεργοποιηθεί πριν από την εκκίνηση του κινητήρα.	Απελευθερώστε τη λαβή του φρένου κινητήρα και περιμένετε περίπου 5 δευτερόλεπτα. Πιέστε ξανά τη λαβή του φρένου κινητήρα προς τα κάτω για να θέσετε το προϊόν σε λειτουργία.
Άλλα σφάλματα.	Εάν προκύψουν άλλα σφάλματα, γυρίστε το κλειδί ασφαλείας στη θέση 0, αφαιρέστε την μπαταρία και απευθυνθείτε σε έναν εγκεκριμένο αντιπρόσωπο σέρβις.		

<sup>21</sup> LC 347iVX, LC353iVX

# Μεταφορά, αποθήκευση και απόρριψη

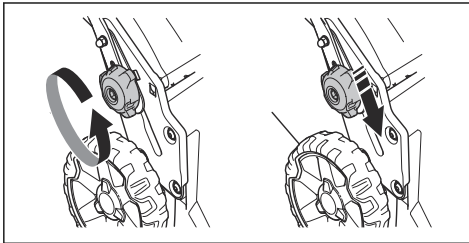
## Εισαγωγή



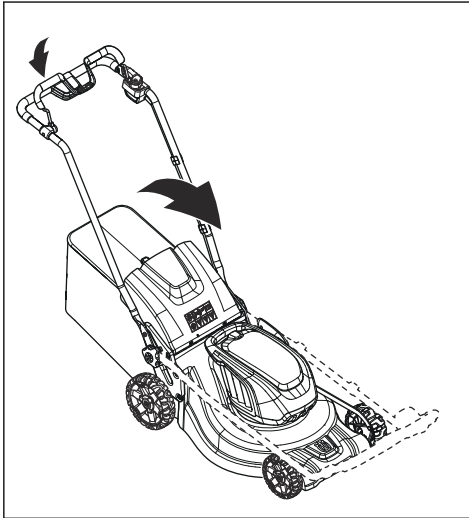
**ΠΡΟΕΙΔΟΠΟΙΗΣΗ:** Για την αποφυγή ακούσιας εκκίνησης κατά την μεταφορά, γυρίστε το κλειδί ασφαλείας στη θέση "0", αφαιρέστε την μπαταρία και περιμένετε τουλάχιστον για 5 δευτερόλεπτα.

## Ρύθμιση του προϊόντος στη θέση μεταφοράς

1. Χαλαρώστε τις κάτω χειρόβιδες.
2. Μετακινήστε τους μοχλούς στο κατώτερο άκρο των αυλακώσεων από την αριστερή και τη δεξιά πλευρά του προϊόντος.



3. Διπλώστε τη χειρολαβή προς τα εμπρός.



4. Αφαιρέστε τον συλλέκτη χόρτου.

## Μεταφορά

- Οι απαιτήσεις της νομοθεσίας περί μεταφοράς επικινδύνων εμπορευμάτων ισχύει για τις μπαταρίες ιόντων λιθίου που περιλαμβάνονται.

- Για τις εμπορικές μεταφορές πρέπει να τηρούνται οι ειδικές απαιτήσεις που αναγράφονται στη συσκευασία και στις ετικέτες.
- Βεβαιωθείτε ότι τηρείτε τους κανονισμούς για επικινδύνα υλικά κατά τη μεταφορά του προϊόντος. Μπορεί να ισχύουν τοπικοί κανονισμοί.
- Για τη μεταφορά, πρέπει πάντα να αφαιρείτε την μπαταρία.
- Τοποθετήστε ταινία στους συνδέσμους της μπαταρίας και βεβαιωθείτε ότι η μπαταρία δεν μπορεί να μετακινηθεί κατά τη μεταφορά.
- Στερεώστε το προϊόν κατά τη μεταφορά.

## Αποθήκευση

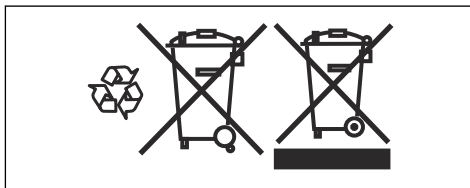
- Πριν από την αποθήκευση, αφήστε το προϊόν να κρυώσει.
- Για την αποθήκευση, πρέπει πάντα να αφαιρείτε την μπαταρία.
- Για την αποφυγή ατυχημάτων, βεβαιωθείτε ότι η μπαταρία δεν είναι συνδεδεμένη στο προϊόν κατά την αποθήκευση.
- Αποθηκεύστε τον φορτιστή της μπαταρίας σε κλειστό χώρο χωρίς υγρασία.
- Αποθηκεύστε την μπαταρία και τον φορτιστή σε χώρο χωρίς υγρασία ή παγετό.
- Αποσυνδέστε την μπαταρία από τον φορτιστή προτού την αποθηκεύσετε.
- Μην αποθηκεύετε την μπαταρία σε χώρους όπου μπορεί να προκληθεί στατικός ηλεκτρισμός. Μην αποθηκεύετε την μπαταρία σε μεταλλικό κουτί.
- Αποθηκεύστε το προϊόν μόνο σε χώρο όπου η θερμοκρασία περιβάλλοντος είναι μεταξύ  $-10^{\circ}\text{C}$  και  $40^{\circ}\text{C}$ .
- Αποθηκεύστε την μπαταρία σε χώρο όπου η θερμοκρασία κυμαίνεται μεταξύ  $5^{\circ}\text{C}$  και  $25^{\circ}\text{C}$ , μακριά από την ηλιακή ακτινοβολία.
- Αποθηκεύστε τον φορτιστή μπαταρίας σε χώρο όπου η θερμοκρασία κυμαίνεται μεταξύ  $5^{\circ}\text{C}$  και  $45^{\circ}\text{C}$ , μακριά από την ηλιακή ακτινοβολία.
- Βεβαιωθείτε ότι η μπαταρία είναι φορτισμένη κατά 30% - 50% προτού την αποθηκεύσετε για μεγάλο χρονικό διάστημα.
- Αποθηκεύστε το προϊόν, την μπαταρία και τον φορτιστή μπαταρίας σε χώρο που κλειδώνεται, ώστε να μην έχουν πρόσβαση παιδιά και μη εξουσιοδοτημένα άτομα.
- Καθαρίστε το προϊόν και βεβαιωθείτε ότι ο συλλέκτης χόρτου είναι άδειος.
- Εκτελείτε τις εργασίες συντήρησης που περιγράφονται σε αυτό το εγχειρίδιο χρήσης. Ανατρέξτε στην ενότητα *Συντήρηση στη σελίδα 146*.
- Πραγματοποιήστε πλήρες σέρβις του προϊόντος προτού το αποθηκεύσετε για μεγάλο χρονικό διάστημα.

## Απόρριψη

Τα σύμβολα που υπάρχουν πάνω στο προϊόν ή στη συσκευασία του, υποδεικνύουν ότι δεν πρέπει να μεταχειριστείτε το συγκεκριμένο προϊόν ως οικιακό απόρριμμα. Αντιθέτως, πρέπει να το παραδώσετε σε κατάλληλο σταθμό ανακύκλωσης για ανάκτηση του ηλεκτρικού και ηλεκτρονικού εξοπλισμού.

Εξασφαλίζοντας τη σωστή απόρριψη του προϊόντος, συνεισφέρετε στην αντιμετώπιση πιθανών αρνητικών επιπτώσεων που θα μπορούσε να έχει στο περιβάλλον και τους ανθρώπους η λανθασμένη απόρριψη αυτού του προϊόντος. Για περισσότερες πληροφορίες σχετικά

με την ανακύκλωση αυτού του προϊόντος, απευθυνθείτε στο δήμο σας, την τοπική υπηρεσία συλλογής απορριμμάτων ή το κατάστημα από το οποίο αγοράσατε το προϊόν.



## Τεχνικά στοιχεία

### Τεχνικά στοιχεία

	LC 247i	LC 347IVX	LC 353iVX
<b>Μοτέρ κοπή</b>			
Τύπος κινητήρα	BLDC (χωρίς ψήκ-τρεις) 36V	BLDC (χωρίς ψήκ-τρεις) 36V	BLDC (χωρίς ψήκ-τρεις) 36V
Ταχύτητα κινητήρα - Λειτουργία SavE, σ.α.λ.	2600/λεπτό	2600/λεπτό	2600/λεπτό
Ταχύτητα κινητήρα - Ονομαστική, σ.α.λ.	3000/λεπτό	3000/λεπτό	3000/λεπτό
Ταχύτητα κινητήρα - Υψηλό φορτίο, σ.α.λ.	3500/λεπτό	3500/λεπτό	3500/λεπτό
Ισχύς κινητήρα – μέγ. kW	0,96	0,96	1,05
Ισχύς κινητήρα - Ονομαστική, kW	0,75	0,75	0,9
<b>Κινητήρας πορείας</b>			
Ισχύς κινητήρα - Ονομαστική, kW	Δ/Υ	0,25	0,25
Ταχύτητα αυτόματης πορείας, km/h	Δ/Υ	3,0-4,5	3,0-4,5
Επίπεδα ρύθμισης ταχύτητας	Δ/Υ	4	4
<b>Βάρος</b>			
Βάρος χωρίς σακούλα (χωρίς μπαταρία), kg	24,5	26	28
Βάρος με σακούλα (περιλαμβάνεται 2 x BLi30), kg	30,5	32,0	34,5
<b>Μπαταρία</b>			
Τύπος μπαταρίας	Σειρά μπαταριών της Husqvarna		
<b>Χρόνος λειτουργίας μπαταρίας</b>			
Χρόνος λειτουργίας μπαταρίας, λεπτά, (ελεύθερη λειτουργία) με ενεργοποιημένη τη λειτουργία εξοικονόμησης SavE, με μία μπαταρία (BLi30) 7,7 Ah της Husqvarna.	62	62	46
Χρόνος λειτουργίας μπαταρίας, λεπτά, (ελεύθερη λειτουργία) με ενεργοποιημένη την τυπική λειτουργία, με μία μπαταρία (BLi30) 7,7 Ah της Husqvarna.	43	43	28

	LC 247i	LC 347iVX	LC 353iVX
<b>Εκπομπές θορύβου</b> <sup>22</sup>			
Στάθμη ηχητικής ισχύος, μετρούμενη τιμή σε dB (A)	94	94	97
Στάθμη ηχητικής ισχύος, εγγυημένη L <sub>WA</sub> dB (A)	95	95	98
<b>Στάθμες θορύβου</b> <sup>23</sup>			
Στάθμη ηχητικής πίεσης στο αυτί του χειριστή, σε dB (A)	82	82	86
<b>Στάθμες κραδασμών</b> <sup>24</sup>			
Λαβή, m/s <sup>2</sup>	0,42	0,42	2,64
<b>Εξοπλισμός κοπής</b>			
Ύψος κοπής, mm	20-75 mm	20-75 mm	20-75 mm
Πλάτος κοπής, cm	47	47	53
Λεπίδα, βασικός εξοπλισμός	Συλλογή 5905934-10	Συλλογή 5905934-10	Συλλογή 5940757-10
Λεπίδα, αξεσουάρ	Χορτολίπασμα 5907010-10	Χορτολίπασμα 5907010-10	Χορτολίπασμα 5950072-10
Χωρητικότητα συλλέκτη χόρτου, λίτρα	55	55	60

Δεδομένα ραδιοσυχνότητας για Bluetooth®	LC 247i	LC 347iVX	LC 353iVX
Ζώνη συχνότητας, GHz	Δ/Υ	2,4-2,4835	2,4-2,4835
Ισχύς εξόδου, μέγ. dBm	Δ/Υ	4	4

Εγκεκριμένες μπαταρίες	Τύπος	Χωρητικότητα μπαταρίας, Ah	Τάση, V	Βάρος, lb/kg
BLi20	Ιόντων λιθίου	4,0	36	2,6/1,2
BLi30	Ιόντων λιθίου	7,7	36	4,2/1,9

<sup>22</sup> Οι εκπομπές θορύβου στο περιβάλλον μετρούνται ως ηχητική ισχύς (L<sub>WA</sub>) σε συμμόρφωση με την Οδηγία 2000/14/ΕΚ.

<sup>23</sup> Ο συντελεστής αβεβαιότητας (K) των αναφερόμενων δεδομένων για το επίπεδο πίεσης θορύβου είναι 1,5 dB (A).

<sup>24</sup> Ο συντελεστής αβεβαιότητας (K) των αναφερόμενων δεδομένων για τη στάθμη δόνησης είναι 1,5 m/s<sup>2</sup>. Η δηλωθείσα συνολική τιμή κραδασμών μετρήθηκε σύμφωνα με το πρότυπο EN 62841-4-3, Παράρτημα Ι, και μπορεί να χρησιμοποιηθεί για τη σύγκριση μηχανημάτων και στην προκαταρκτική αξιολόγηση της έκθεσης.

<b>Εγκεκριμένοι φορτιστές για προδιαγραφόμενες μπαταρίες, BLi</b>	<b>Τάση εισόδου, V</b>	<b>Συχνότητα, Hz</b>	<b>Ισχύς, W</b>
QC80	100-240	50-60	80
40-C80	100-240	50-60	68,8
QC250	100-240	50-60	250

## Δήλωση Συμμόρφωσης

### Δήλωση συμμόρφωσης ΕΕ

Εμείς, η **Husqvarna AB**, SE-561 82 Huskvarna, Σουηδία,  
τηλ.: +46-36-146500, δηλώνουμε με αποκλειστική μας  
ευθύνη ότι το προϊόν:

<b>Περιγραφή</b>	Χλοκοπτικό
<b>Μάρκα</b>	Husqvarna
<b>Τύπος / Μοντέλο</b>	LC 247i
<b>Αναγνώριση</b>	Αριθμοί σειράς με ημερομηνία από το 2021 και έπειτα

συμμορφώνεται πλήρως με τις ακόλουθες οδηγίες και  
τους κανονισμούς της ΕΕ:

<b>Οδηγία/Κανονισμός</b>	<b>Περιγραφή</b>
2006/42/EK	"σχετικά με τα μηχανήματα"
2014/30/EE	"σχετικά με την ηλεκτρομαγνητική συμβατότητα"
2000/14/EK	"σχετικά με τις εκπομπές θορύβου στο περιβάλλον"
2011/65/EE	"σχετικά με τον περιορισμό της χρήσης ορισμένων επικίνδυνων ουσιών σε είδη ηλεκτρικού και ηλεκτρονικού εξοπλισμού"

και ότι εφαρμόζονται τα παρακάτω πρότυπα ή/και  
τεχνικές προδιαγραφές: EN 62841-1:2015+AC:2015, EN  
62841-4-3:2021+A11:2021, EN ISO 12100:2010, EN  
55014-1:2017+A11:2020, EN 55014-2:2015, EN IEC  
63000:2018.

Κοινοποιημένος φορέας: 0404, Ο RISE SMP Svensk  
Maskinprovning AB, Box 7035, SE-750 07 Uppsala έχει  
πιστοποιήσει τη συμμόρφωση με την οδηγία 2000/14/EK  
του Συμβουλίου, σχετικά με τη διαδικασία αξιολόγησης  
συμμόρφωσης: Παράρτημα VI.

Για πληροφορίες σχετικά με τις εκπομπές θορύβου,  
ανατρέξτε στην ενότητα *Τεχνικά στοιχεία στη σελίδα 152*.

Huskvarna, 2021-12-01



Claes Losdal, Διευθυντής ανάπτυξης/Προϊόντα κήπου,  
Husqvarna AB

Υπεύθυνος για την τεχνική τεκμηρίωση



## Δήλωση συμμόρφωσης ΕΕ

Εμείς, η **Husqvarna AB**, SE-561 82 Huskvarna, Σουηδία,  
τηλ.: +46-36-146500, δηλώνουμε με αποκλειστική μας  
ευθύνη ότι το προϊόν:

<b>Περιγραφή</b>	Χλοκοπτικό
<b>Μάρκα</b>	Husqvarna
<b>Τύπος / Μοντέλο</b>	LC 347iVX, LC 353iVX
<b>Αναγνώριση</b>	Αριθμοί σειράς με ημερομηνία από το 2021-12-01 και έπειτα

συμμορφώνεται πλήρως με τις ακόλουθες οδηγίες και  
τους κανονισμούς της ΕΕ:

<b>Οδηγία/Κανονισμός</b>	<b>Περιγραφή</b>
2006/42/EK	"σχετικά με τα μηχανήματα"
2014/53/EE	"σχετικά με τον ραδιοεξοπλισμό"
2000/14/EK	"σχετικά με τις εκπομπές θορύβου στο περιβάλλον"
2011/65/EE	"σχετικά με τον περιορισμό της χρήσης ορισμένων επικίνδυνων ουσιών σε είδη ηλεκτρικού και ηλεκτρονικού εξοπλισμού"

και ότι εφαρμόζονται τα παρακάτω πρότυπα ή/και  
τεχνικές προδιαγραφές: EN 62841-1:2015+AC:2015, EN  
62841-4-3:2021+A11:2021, EN ISO 12100:2010, EN  
55014-1:2017+A11:2020, EN 55014-2:2015, EN IEC  
63000:2018, EN ETSI 300 328 v.2.2.2, EN 50663: 2017,  
ETSI EN 301 489-1 V2.2.3, ETSI EN 301 489-17 V3.2.4.

Κοινοποιημένος φορέας: 0404, Ο RISE SMP Svensk  
Maskinprovning AB, Box 7035, SE-750 07 Uppsala έχει  
πιστοποιήσει τη συμμόρφωση με την οδηγία 2000/14/EK  
του Συμβουλίου, σχετικά με τη διαδικασία αξιολόγησης  
συμμόρφωσης: Παράρτημα VI.

Για πληροφορίες σχετικά με τις εκπομπές θορύβου,  
ανατρέξτε στην ενότητα *Τεχνικά στοιχεία στη σελίδα 152*.

Huskvarna, 2021-12-01

Claes Losdal, Διευθυντής ανάπτυξης/Προϊόντα κήπου,  
Husqvarna AB

Υπεύθυνος για την τεχνική τεκμηρίωση



## Σήματα κατατεθέντα

Η λέξη *Bluetooth®* και τα σχετικά λογότυπα είναι σήματα  
κατατεθέντα και ανήκουν στην *Bluetooth SIG, inc.*  
Οποιαδήποτε χρήση αυτών των σημάτων από την  
Husqvarna γίνεται κατόπιν αδείας.



---

## Contenido

---

Introducción.....	157	Resolución de problemas.....	175
Seguridad.....	159	Transporte, almacenamiento y eliminación.....	178
Montaje.....	166	Datos técnicos.....	179
Funcionamiento.....	167	Declaración de conformidad.....	182
Mantenimiento.....	173	Marcas comerciales registradas.....	183

---

## Introducción

---

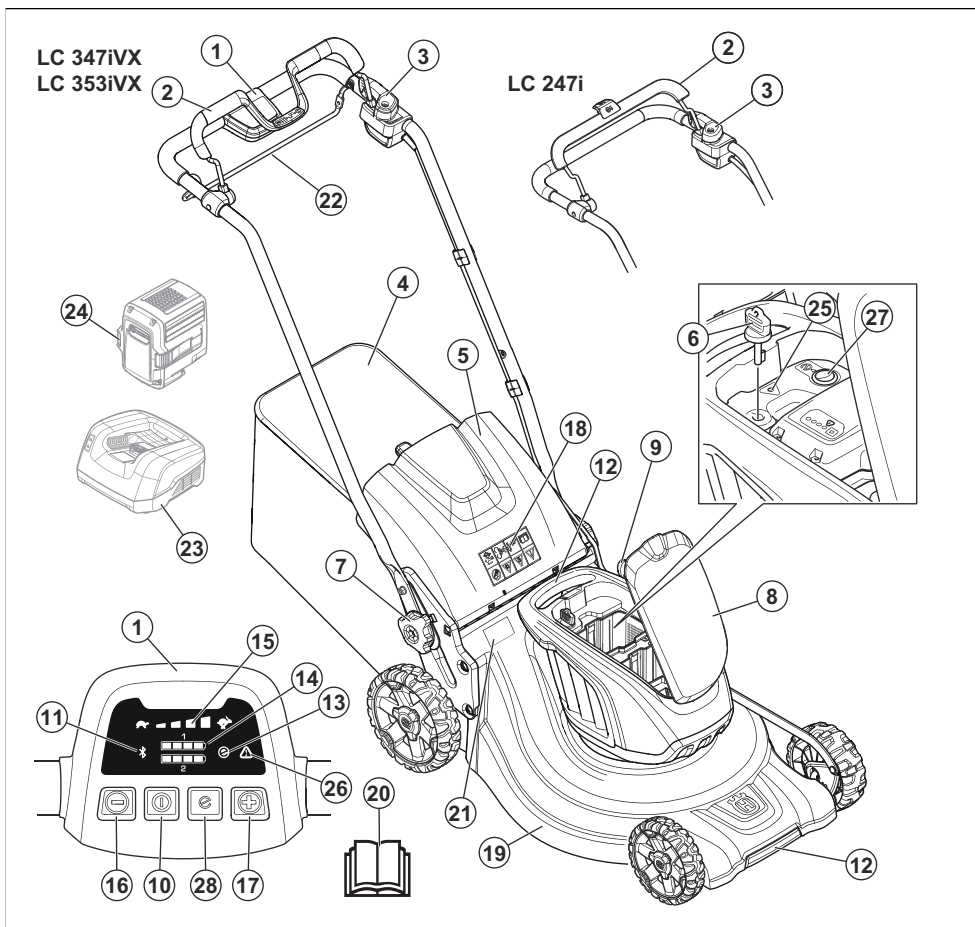
### Descripción del producto

El producto es un cortacésped giratorio conducido a pie. La hierba se recoge en un recogedor de césped. Retire el recogedor de césped para utilizar la descarga trasera de hierba. Fije un kit de trituración (accesorio) para cortar la hierba y utilizarla como abono.

### Uso previsto

Utilice el producto para cortar hierba. No utilice el producto para otras tareas.

## Descripción del producto



- |   |   |
|---|---|
| 1. Panel de control (LC 347iVX, LC 353iVX)                              | 16. Botón para reducir la velocidad (LC 347iVX, LC 353iVX)  |
| 2. Palanca del freno del motor  | 17. Botón para aumentar la velocidad (LC 347iVX, LC 353iVX) |
| 3. Inhibidor de arranque  | 18. Símbolos  |
| 4. Recogedor de césped  | 19. Cubierta del equipo de corte                            |
| 5. Cubierta trasera   | 20. Manual de usuario                                       |
| 6. Llave de seguridad   | 21. Placa de características                                |
| 7. Pomo del manillar  | 22. Mango de transmisión (LC 347iVX, LC 353iVX)             |
| 8. Tapa de la batería   | 23. Cargador de batería (accesorio)                         |
| 9. Control de la altura de corte  | 24. Batería (accesorio)                                     |
| 10. botón ON/OFF  | 25. LED de error (LC 247i)                                  |
| 11. Indicador para tecnología inalámbrica <i>Bluetooth</i> <sup>®</sup> | 26. LED de error (LC 347iVX, LC 353iVX)                     |
| 12. Asas de elevación   | 27. Botón SavE (LC 247i)                                    |
| 13. Indicador de SavE   | 28. Botón SavE (LC 347iVX, LC 353iVX)                       |
| 14. Indicador de batería  |   |
| 15. Indicador de nivel velocidad (LC 347iVX, LC 353iVX)                 |   |

## Símbolos que aparecen en el producto

Datos técnicos en la página 179 y en la etiqueta.



ADVERTENCIA



Lea las instrucciones.



ADVERTENCIA: Tenga cuidado con los objetos que salen despedidos.



Mantenga alejados a los transeúntes.



ADVERTENCIA: Mantenga los pies y las manos alejados de las cuchillas.



ADVERTENCIA: Desconecte la batería antes de realizar el mantenimiento.



El producto o su embalaje no son residuos domésticos. Recíclelo en un centro de reciclaje para equipos eléctricos y electrónicos.



El producto cumple con las directivas CE vigentes.



Etiqueta de emisiones sonoras en el entorno conforme a las normas y las directivas de la UE y Reino Unido. El nivel de potencia acústica garantizado del producto se especifica en el apartado

## IPX1

El producto está protegido contra goteo.



Suelte la palanca del freno del motor para parar.



Código escaneable

**Nota:** Los demás símbolos/etiquetas que aparecen en el producto corresponden a requisitos de homologación específicos en algunos mercados.

## Etiqueta del producto



PELIGRO: Mantenga las manos y los pies alejados.

## Responsabilidad sobre el producto

Como se estipula en las leyes de responsabilidad del producto, no nos hacemos responsables de los daños y perjuicios causados por nuestro producto si:

- El producto se ha reparado incorrectamente.
- El producto se ha reparado con piezas que no eran del fabricante o no autorizadas por el fabricante.
- El producto tiene un accesorio que no es del fabricante o no está autorizado por este.
- El producto no se ha reparado en un centro de servicio autorizado o por un organismo homologado.

## Seguridad

### Definiciones de seguridad

Las advertencias, precauciones y notas se utilizan para destacar información especialmente importante del manual.



**ADVERTENCIA:** Indica un riesgo de lesiones o incluso de muerte del usuario o de las personas cercanas si no se respetan las instrucciones del manual.



**PRECAUCIÓN:** Indica un riesgo de daños en el producto, otros materiales o el área adyacente si no se respetan las instrucciones del manual.

**Nota:** Se usa para proporcionar más información necesaria en una situación determinada.

## Instrucciones generales de seguridad del producto



**ADVERTENCIA:** Lea todas las advertencias de seguridad, instrucciones, ilustraciones y especificaciones que se incluyen en este producto. Si no se siguen las instrucciones que aparecen a continuación, puede producirse una descarga eléctrica, un incendio o lesiones graves.

**Conserve todas las advertencias e instrucciones para su consulta.** El término «producto» empleado en las advertencias hace referencia tanto al producto que funciona con conexión eléctrica a la red (con cable) como al que funciona con batería (inalámbrico).

### Seguridad en el área de trabajo

- **Mantenga el área de trabajo limpia y bien iluminada.** Las zonas abarrotadas de cosas u oscuras favorecen los accidentes.
- **No utilice el producto en ambientes explosivos como aquellos en los que hay líquidos, gases o polvo inflamables.** El producto produce chispas que pueden inflamar el polvo o los vapores.
- **Mantenga alejados a los niños y a otras personas mientras utiliza el producto.** Las distracciones pueden hacer que pierda el control de esta.

### Seguridad eléctrica

- **El enchufe del producto debe ser apto para la toma de corriente utilizada. Nunca modifique el enchufe. No utilice adaptadores en productos con conexión a tierra.** Los enchufes sin modificar y las tomas de corriente del mismo tipo ayudan a reducir el riesgo de descarga eléctrica.
- **Evite el contacto de su cuerpo con superficies puestas a tierra como tuberías, radiadores, cocinas y neveras.** Si su cuerpo está en contacto con el suelo, existe un mayor riesgo de descarga eléctrica.
- **No exponga el producto a la lluvia ni a ambientes húmedos.** Si entra agua en el producto, aumentará el riesgo de recibir descargas eléctricas.
- **Maneje el cable con cuidado. No lo utilice nunca para transportar el producto, tirar de él o desenchufarlo.** Manténgalo alejado de fuentes de calor, aceite, aristas vivas o piezas móviles. Los

cables dañados o enredados incrementan el riesgo de descarga eléctrica.

- **Cuando trabaje con un producto en exteriores, utilice un alargador apto para exteriores.** Utilizar un cable adecuado para su uso en exteriores reduce el riesgo de descarga eléctrica.
- **Si es necesario utilizar el producto en un lugar húmedo, utilice un interruptor diferencial como protección.** La utilización de un interruptor diferencial reduce el riesgo de descargas eléctricas.

### Seguridad personal

- **Esté siempre atento, fíjese en lo que está haciendo y utilice el sentido común cuando maneje el producto. No utilice el producto si está cansado o bajo los efectos de estupefacientes, alcohol o medicamentos.** Un momento de descuido puede causar lesiones graves.
- **Utilice el equipo de protección personal. Protéjase siempre los ojos.** El equipo de protección, como la mascarilla antipolvo, los zapatos de seguridad antideslizantes, el casco o los protectores auditivos, utilizados en función de las condiciones de trabajo, reducirá el riesgo de lesiones.
- **Evite el encendido accidental de la herramienta. Asegúrese de que el interruptor está en la posición de apagado antes de conectar el producto a la fuente de alimentación o la batería, cogerlo o transportarlo.** Transportar el producto con el dedo puesto sobre el interruptor o conectar la alimentación con el interruptor en la posición de encendido puede provocar accidentes.
- **Quite todas las clavijas de ajuste o llaves de tuercas antes de encender el producto.** Una llave de tuercas o clavija de ajuste que se ha dejado colocada en una pieza giratoria del producto puede causar lesiones.
- **No se estire demasiado. Mantenga una posición correcta y el equilibrio en todo momento.** Así podrá controlar mejor el producto en situaciones imprevistas.
- **Utilice la ropa adecuada. No utilice nunca ropa amplia ni joyas. Mantenga el pelo y la ropa alejados de las piezas móviles.** La ropa holgada, las joyas o el pelo largo pueden quedar atrapados en las piezas móviles.
- **Si se suministran equipos de aspiración o captación de polvo, asegúrese de que estén conectados y se utilicen correctamente.** El uso de estos equipos puede reducir los riesgos derivados del polvo.
- **Evite que la familiaridad adquirida con el uso frecuente del producto le lleve a confiarse e ignorar las medidas de seguridad del mismo.** Una acción negligente puede causar lesiones graves en una fracción de segundo.

### Uso y cuidado del producto

- **No fuerce el producto. Utilice el producto adecuado para el trabajo que deba realizar.** Con el producto

apropiado hará el trabajo mejor y con mayor seguridad a la potencia para la que fue diseñado.

- **No utilice el producto si el interruptor no funciona.** Los productos que no se puedan controlar con el interruptor son peligrosos y deben repararse.
- **Desconecte el enchufe de la fuente de alimentación o quite la batería del producto, si se puede, antes de realizar cualquier ajuste, cambiar accesorios o guardar el producto.** Las medidas de seguridad preventivas reducen el riesgo de poner en marcha el producto de forma accidental.
- **Si no utiliza el producto, guárdelo fuera del alcance de los niños y no permita que personas no familiarizadas con su uso o con estas instrucciones lo manejen.** El producto puede ser peligroso en manos de usuarios no cualificados.
- **Efectúe el mantenimiento del producto y de los accesorios. Compruebe que no haya partes móviles mal alineadas o trabadas, piezas rotas o cualquier otra circunstancia que pueda afectar al funcionamiento del producto. Si detecta daños, lleve el producto a reparar antes de usarlo.** Muchos accidentes se deben al uso de productos que carecen de un mantenimiento adecuado.
- **Mantenga las herramientas de corte afiladas y limpias.** Las herramientas de corte con aristas afiladas y un mantenimiento adecuado tienen menos probabilidades de trabarse y son más fáciles de controlar.
- **Utilice el producto, accesorios, útiles, etc., según se indica en estas instrucciones, teniendo en cuenta las condiciones de trabajo y la tarea que debe realizar.** El uso del producto para trabajos distintos a aquellos para los que fue diseñado podría dar lugar a situaciones peligrosas.
- **Mantenga los mangos y superficies de agarre secos, limpios y sin aceite ni grasa.** Las superficies de agarre y los mangos resbaladizos no permiten manejar y controlar de forma segura el producto ante cualquier imprevisto.

## Servicio

- **Solo técnicos cualificados que utilicen piezas de repuesto originales deben llevar a cabo las tareas de mantenimiento del producto.** De este modo se garantiza la seguridad del producto.
- **No revise baterías dañadas.** La revisión de las baterías solo debe realizarla el fabricante o un proveedor de servicio autorizado.

## Uso y cuidado de la herramienta con batería

- **Efectúe las recargas únicamente con el cargador especificado por el fabricante.** Un cargador apto para un tipo de batería puede comportar riesgo de incendio al utilizarse con otra batería distinta.
- **Utilice los productos exclusivamente con su batería específica.** El uso de otra batería puede comportar riesgo de lesiones e incendio.
- **Cuando no utilice la batería, manténgala alejada de objetos metálicos que puedan conectar un terminal a**

**otro, como clips, monedas, llaves, clavos, tornillos u otros objetos metálicos pequeños.** Un cortocircuito en los terminales de la batería puede causar quemaduras o un incendio.

- **En condiciones extremas, el líquido puede salir expulsado de la batería; evite cualquier contacto. Si se produjera un contacto accidentalmente, enjuáguese con agua. Además, si el líquido entra en contacto con los ojos, busque asistencia médica.** El líquido expulsado de la batería puede causar irritaciones o quemaduras.
- **No utilice una batería o herramienta defectuosa, dañada o modificada.** Las baterías dañadas o modificadas pueden comportarse de forma impredecible y provocar incendios, explosiones o riesgo de lesiones.
- **No exponga la batería o la herramienta al fuego ni a temperaturas excesivas.** La exposición al fuego o a temperaturas superiores a 130 °C/265 °F puede causar una explosión.
- **Siga todas las instrucciones de carga y no cargue la batería o herramienta fuera del rango de temperatura especificado en las instrucciones.** La carga incorrecta o a temperaturas fuera del intervalo especificado puede dañar la batería y aumentar el riesgo de incendio.

## Advertencias de seguridad sobre el cortacésped

- **No utilice el cortacésped con condiciones meteorológicas adversas, especialmente si hay riesgo de tormenta eléctrica.** Esto disminuye el riesgo de recibir un rayo.
- **Inspeccione a fondo la zona donde se va a utilizar el cortacésped por si hubiera animales.** El cortacésped puede ser peligroso para los animales durante su funcionamiento.
- **Inspeccione a fondo la zona donde va a utilizar el cortacésped y retire todas las piedras, palos, alambres, huesos y cualquier otro objeto extraño.** Los objetos que salen despedidos pueden provocar lesiones.
- **Antes de utilizar el cortacésped, inspecciónelo visualmente para comprobar que la cuchilla y el conjunto de la cuchilla no están desgastados ni dañados.** Las piezas dañadas o desgastadas aumentan el riesgo de lesiones.
- **Antes de utilizarlo, inspeccione el cable de alimentación y el alargador, si lo utiliza, en busca de señales de daño o deterioro. No utilice el cortacésped si el cable está dañado o desgastado.** Si el cable resulta dañado o se desgasta durante el uso, apague el cortacésped y no toque el cable hasta no haberlo desconectado de la alimentación eléctrica. Si el cable de alimentación o el alargador están dañados, podría sufrir descargas eléctricas, incendios o lesiones graves.
- **Compruebe el recogedor de césped con frecuencia para ver si presenta desgaste o deterioro.** Un

recogedor de césped gastado o dañado puede aumentar el riesgo de lesiones personales.

- **Mantenga las protecciones colocadas en su lugar. Las protecciones deben estar en buen estado y montadas correctamente.** Una protección suelta, dañada o que no funcione correctamente puede provocar lesiones.
- **Mantenga las entradas de refrigeración limpias de todo tipo de suciedad.** Las entradas de aire bloqueadas y los residuos pueden provocar el sobrecalentamiento de la máquina o riesgo de incendio.
- **Durante el funcionamiento del cortacésped, lleve siempre calzado antideslizante y de protección. No utilice el cortacésped descalzo o con sandalias abiertas.** Así reducirá la posibilidad de sufrir lesiones en los pies por contacto con la cuchilla.
- **Cuando utilice el cortacésped, lleve siempre pantalones largos.** La piel expuesta aumenta la probabilidad de sufrir lesiones por objetos que pueden salir despedidos.
- **No utilice el cortacésped en hierba húmeda. Camine, en ningún caso corra.** Así reducirá el riesgo de resbalones y caídas, lo que puede provocar lesiones.
- **No utilice el cortacésped en pendientes excesivamente pronunciadas.** Así reducirá el riesgo de perder el control, resbalarse o caerse, lo que podría provocar lesiones.
- **Cuando trabaje en pendientes, asegúrese siempre de tener los pies firmemente asentados, trabaje siempre en perpendicular a la superficie de las pendientes, nunca hacia arriba o hacia abajo, y extreme la precaución al cambiar de dirección.** Así reducirá el riesgo de perder el control, resbalarse o caerse, lo que podría provocar lesiones.
- **Sea extremadamente prudente cuando dé marcha atrás o tire del cortacésped hacia usted. Tenga siempre en cuenta el espacio que le rodea.** Así reducirá el riesgo de tropezarse durante el uso de la máquina.
- **Mantenga el cable de alimentación alejado de las cuchillas.** Un cable de alimentación dañado puede provocar descargas eléctricas, incendios y lesiones graves.
- **Apague el cortacésped y desenchúfelo de la red si el cable está enredado o dañado.** Los cables enredados o dañados aumentan el riesgo de sufrir descargas eléctricas.
- **No toque las cuchillas ni otras piezas peligrosas mientras estén en movimiento.** Así reducirá el riesgo de sufrir lesiones por contacto con piezas móviles.
- **Al retirar material atascado o limpiar el cortacésped, asegúrese de que todos los interruptores de alimentación estén apagados y el cable de alimentación esté desconectado.** El funcionamiento imprevisto del cortacésped podría provocar lesiones personales graves.

## Interruptor diferencial

- Utilice un interruptor diferencial con una corriente de activación máxima de 30 mA.

## Instrucciones generales de seguridad



**ADVERTENCIA:** Lea las siguientes instrucciones de advertencia antes de utilizar el producto.

- Este producto es una herramienta peligrosa si se usa incorrectamente o si no se tiene cuidado. Puede causar lesiones graves o incluso la muerte si no siguen las instrucciones de seguridad.
- Este producto genera un campo electromagnético durante el funcionamiento. Este campo puede, en determinadas circunstancias, interferir en implantes médicos activos o pasivos. Para reducir el riesgo de que se den condiciones que provocarían lesiones graves o letales, las personas que utilizan implantes médicos deben consultar con su médico y con el fabricante del implante antes de poner en marcha este producto.
- Proceda siempre con cuidado y utilice siempre el sentido común. Si no está seguro de cómo manejar el producto en una situación especial, pare y consulte con su distribuidor Husqvarna antes de continuar.
- Tenga en cuenta que el usuario será el responsable de los accidentes que involucren a otras personas o a su propiedad.
- Mantenga el producto limpio. Asegúrese de que puede leer claramente las etiquetas.
- No permita que niños ni adultos que no estén familiarizados con estas instrucciones utilicen el aparato. La legislación local puede restringir la edad del operador.
- Si una persona con discapacidad física o mental usa el producto, asegúrese de supervisarla en todo momento. Debe haber presente en todo momento una persona mayor de edad responsable.
- No utilice el producto si está cansado, enfermo o si se encuentra bajo los efectos de alcohol, drogas o medicamentos. Esto tiene un efecto negativo en su visión, vigilancia, coordinación y capacidad de decisión.
- No utilice el producto si está defectuoso.
- No modifique este producto ni lo utilice si puede haber sido modificado por otras personas.

## Seguridad en el trabajo



**ADVERTENCIA:** Lea las siguientes instrucciones de advertencia antes de utilizar el producto.

- Utilice este producto para cortar solamente césped. No está permitido utilizar el producto para otras tareas.

- Utilice el equipo de protección personal. Consulte la sección *Equipo de protección personal en la página 163*.
- Asegúrese de que sabe cómo detener el motor rápidamente en caso de emergencia.
- No utilice el producto bajo la lluvia ni en ambientes húmedos. El riesgo de sacudida eléctrica aumenta si entra agua en el producto.
- No utilice el producto a menos que la cuchilla y todas las cubiertas estén fijadas correctamente. Una cuchilla fijada incorrectamente puede soltarse y provocar daños personales.
- Asegúrese de que la cuchilla no golpea ningún objeto, como piedras y raíces. Esto puede causar daños a la cuchilla y doblar el eje del motor. Un eje doblado causa vibraciones excesivas y un riesgo muy alto de que la cuchilla se suelte.
- Si la cuchilla choca con algún objeto o si se producen vibraciones, pare el producto inmediatamente. Detenga el motor, gire la llave de seguridad a la posición 0 y retire la batería. Espere hasta que las piezas móviles se detengan. Examine el producto para comprobar si presenta daños. Apriete las piezas sueltas. Repare los daños y cambie las piezas dañadas. Lleve el cortacésped a un taller de servicio homologado para que hagan las reparaciones.
- No acople la palanca del freno del motor permanentemente al manillar cuando el motor esté encendido.
- Ponga el producto en una superficie plana y estable, y arránquelo. Asegúrese de que la cuchilla no entre en contacto con el suelo u otros objetos.
- Manténgase siempre detrás del producto durante su uso.
- Mientras utilice el producto, mantenga todas las ruedas apoyadas en el suelo y las dos manos en el manillar. Mantenga alejados las manos y los pies de las hojas giratorias.
- No incline el producto cuando arranque el motor ni durante su uso.
- Tenga cuidado cuando tire del producto hacia atrás.
- Nunca levante el producto con el motor en marcha. Si tiene que levantar el producto, en primer lugar detenga el motor, gire la llave de seguridad a la posición 0 y retire la batería.
- No camine hacia atrás mientras utiliza el producto.
- Pare el motor cuando sea necesario inclinar el producto para transportarlo o para llevarlo por zonas sin hierba, como caminos de grava, piedra y asfalto.
- No corra con el producto con el motor en marcha. Camine siempre mientras utiliza el producto.
- Detenga el motor antes de cambiar la altura de corte. Nunca realice ajustes con el motor en marcha.
- No deje el producto desatendido con el motor en marcha. Pare el motor y asegúrese de que el equipo de corte no gire.
- Las vibraciones del producto durante el funcionamiento pueden ser diferentes del valor de

vibraciones declarado en *Datos técnicos en la página 179*. La diferencia se debe a las variaciones en la forma en la que se utiliza el producto. Si utiliza el producto con frecuencia o durante largos periodos de tiempo, haga descansos con frecuencia para evitar lesiones por vibraciones.

## Instrucciones de seguridad para el funcionamiento

### Equipo de protección personal



**ADVERTENCIA:** Lea las siguientes instrucciones de advertencia antes de utilizar el producto.

- El equipo de protección personal no elimina completamente el riesgo de lesiones, pero reduce la gravedad de las lesiones en caso de accidente. Deje que el distribuidor le ayude a seleccionar el equipo adecuado.
- Utilice botas o zapatos de trabajo antideslizantes. No utilice calzado abierto ni vaya descalzo.
- Utilice pantalones largos gruesos.
- Utilice guantes protectores cuando sea necesario, por ejemplo, para el montaje, inspección o limpieza del equipo de corte.
- Recomendamos utilizar protectores auriculares.

### Dispositivos de seguridad en el producto



**ADVERTENCIA:** Lea las siguientes instrucciones de advertencia antes de utilizar el producto.

- No utilice un producto que tenga dispositivos de seguridad defectuosos.
- No retire los dispositivos de seguridad ni realice cambios en ellos.
- Realice una comprobación de los dispositivos de seguridad con frecuencia. Si los dispositivos de seguridad están defectuosos, hable con su taller de servicio Husqvarna.

### Comprobación de la cubierta del equipo de corte

La cubierta del equipo de corte disminuye las vibraciones en el producto y el riesgo de lesiones provocadas por la cuchilla.

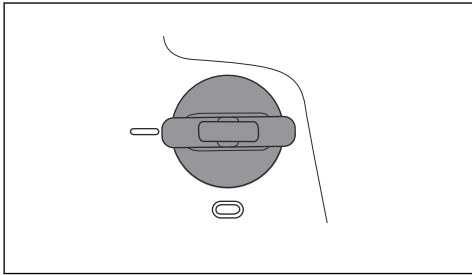
- Examine la cubierta de corte para asegurarse de que no haya daños como, por ejemplo, grietas.

### Comprobación de la llave de seguridad

La llave de seguridad se encuentra debajo de la tapa de la batería. La llave de seguridad conecta la batería que suministra electricidad al motor.

- Arranque y detenga el motor para realizar una comprobación de la llave de seguridad.

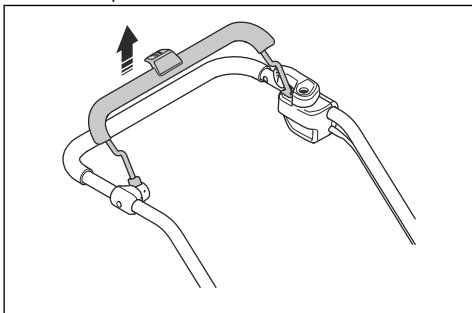
- Si la llave de seguridad funciona correctamente, el motor solo arranca cuando la llave está en la posición 1.



### Comprobación de la maneta de freno del motor

La maneta del freno del motor detiene el motor. Cuando se suelta la maneta del freno del motor, el motor se para.

- Arranque el producto. Consulte la sección *Funcionamiento en la página 167*.
- Suelte la palanca del freno del motor.



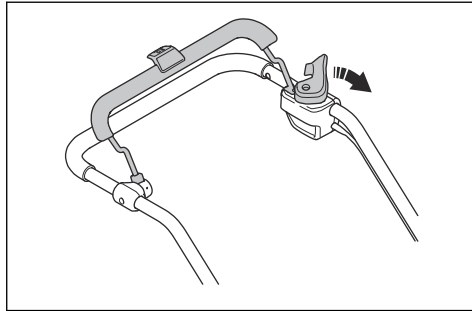
- Asegúrese de que el producto se detiene. Si el motor no se detiene en 3 segundos, lleve el producto a un taller de servicio Husqvarna autorizado para realizar el ajuste del freno del motor.

### Comprobación del inhibidor de arranque

Compruebe el inhibidor de arranque para verificar que evita el funcionamiento del motor.

1. Empuje la palanca del freno del motor hacia el manillar. El inhibidor de arranque impide el movimiento.

2. Empuje el inhibidor de arranque hacia fuera.



3. Suelte el inhibidor de arranque y asegúrese de que regresa a su posición inicial.

### Seguridad de la batería



**ADVERTENCIA:** Lea las siguientes instrucciones de advertencia antes de utilizar el producto.

- Utilice solamente pilas recargables Husqvarna como fuente de alimentación para otros productos Husqvarna relacionados. Para evitar lesiones, no utilice la batería como fuente de alimentación de otros dispositivos.
- No utilice baterías no recargables.
- Riesgo de descarga eléctrica. No conecte los terminales de la batería a llaves, monedas, tornillos u otros objetos metálicos. Esto puede provocar un cortocircuito en la batería.
- No coloque objetos en las ranuras de ventilación de la batería.
- Mantenga la batería lejos de la luz directa del sol, de fuentes de calor o de llamas abiertas. La batería puede explotar y provocar quemaduras graves y/o quemaduras químicas.
- Mantenga la batería resguardada de la lluvia y la humedad.
- Mantenga la batería lejos de microondas y fuentes de alta presión.
- No intente desmontar o romper la batería.
- Si se produce una fuga en la batería, no permita que el líquido entre en contacto con el cuerpo ni con los ojos. Si toca el líquido, limpie el área con abundante agua y busque asistencia médica.
- Utilice la batería en el producto únicamente cuando la temperatura ambiente se encuentre entre los 5 °C y los 40 °C.
- Utilice el cargador de la batería únicamente cuando la temperatura ambiente se encuentre entre los 5 °C y los 40 °C.
- La batería no se cargará si su temperatura es superior a 50 °C.



- No limpie la batería o el cargador con agua. Consulte la sección *Para limpiar la batería y el cargador de la batería en la página 174*.
- No utilice una batería defectuosa o dañada.
- Guarde la batería alejada de objetos metálicos, como clavos, monedas o joyas.

## Seguridad del cargador de la batería



**ADVERTENCIA:** Lea las siguientes instrucciones de advertencia antes de utilizar el producto.

- Utilice solamente cargadores de baterías QC para cargar las baterías de repuesto Husqvarna.
- Riesgo de sacudida eléctrica o cortocircuito. No coloque objetos en las ranuras de ventilación del cargador. No intente desmontar el cargador de batería. No conecte los terminales del cargador a objetos metálicos. Utilice una toma de corriente homologada.
- Este producto genera un campo electromagnético durante el funcionamiento. Este campo puede, en determinadas circunstancias, interferir en implantes médicos activos o pasivos. Para reducir el riesgo de que se den condiciones que provocarían lesiones graves o letales, las personas que utilizan implantes médicos deben consultar con su médico y con el fabricante del implante antes de poner en marcha este producto.
- Compruebe con regularidad que el cable de alimentación del cargador de batería no esté dañado ni agrietado.
- No levante el cargador de la batería tirando del cable de alimentación. Para desconectar el cargador de batería de la toma de corriente, tire del enchufe. No tire del cable de alimentación.
- Mantenga el cable de alimentación y los cables de empalme apartados de agua, aceite y cantos agudos. Proceda con cuidado para evitar que el cable se enganche en puertas, vallas o similares. De lo contrario, el cargador podría transmitir corriente.
- No limpie el cargador de la batería con agua.
- Los niños mayores de ocho años y las personas con facultades físicas, psíquicas o sensoriales disminuidas, o sin la experiencia y los conocimientos necesarios pueden usar el cargador de batería si se les supervisa o instruye en lo que respecta al uso seguro del aparato y comprenden los peligros existentes. Los niños no deben jugar con el cargador de batería. Los niños no deberán llevar a cabo la limpieza ni el mantenimiento del usuario sin supervisión.
- No intente cargar baterías no recargables en el cargador de la batería.
- No utilice el cargador de batería cerca de materiales inflamables o corrosivos. No cubra el cargador.

Desenchufe el cargador de batería en caso de humareda o incendio.

- No utilice un cargador de batería defectuoso o dañado.
- Solo cargue la batería en interiores si se trata de una estancia con buena ventilación y lejos de la luz solar directa. No cargue la batería en un entorno húmedo.

## Instrucciones de seguridad para el mantenimiento



**ADVERTENCIA:** Lea las siguientes instrucciones de advertencia antes de utilizar el producto.

- Para evitar el arranque accidental durante el mantenimiento, gire la llave de seguridad a la posición 0 y retire la batería. Espere al menos 5 segundos antes de empezar los trabajos de mantenimiento.
- Realice únicamente las tareas de mantenimiento que figuran en este manual de usuario. Las tareas de mayor envergadura y las reparaciones profesionales se deben realizar en un taller de servicio autorizado. Póngase en contacto con su taller de servicio más cercano para obtener más información.
- Realice los trabajos de mantenimiento correctamente para aumentar la vida útil del producto y reducir el riesgo de accidentes.
- Cambie las piezas dañadas, desgastadas o rotas. Utilice siempre piezas de repuesto originales del fabricante. Si utiliza otras piezas de repuesto podría dañar el producto y aumentaría el riesgo de accidentes.
- No retire los dispositivos de seguridad ni realice cambios en ellos para prevenir lesiones.
- Utilice guantes resistentes al utilizar el equipo de corte. La cuchilla está muy afilada y se pueden producir cortes con mucha facilidad.
- Mantenga los bordes cortantes afilados y limpios para obtener los mejores resultados con la máxima seguridad.
- Diríjase a su taller de servicio para que examine el producto regularmente y para que realice ajustes y reparaciones necesarios.
- Respete las instrucciones correspondientes al cambio de accesorios. Utilice únicamente los accesorios del fabricante.
- Cuando no esté en funcionamiento, mantenga el producto, la batería y cargador de batería aparte en un lugar seco, interior y bajo llave. Asegúrese de que los niños y personas que no cuenten con autorización no puedan acceder al producto, la batería o el cargador de batería.

# Montaje

## Introducción



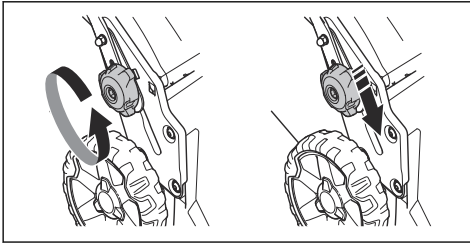
**ADVERTENCIA:** Antes de montar este producto, lea el capítulo sobre seguridad.



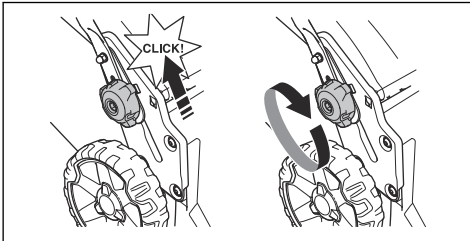
**ADVERTENCIA:** Para evitar un arranque accidental durante el montaje, gire la llave de seguridad hasta la posición 0, retire la batería y espere al menos 5 segundos.

## Ajuste del mango

1. Afloje las ruedecillas inferiores.
2. Mueva los mandos hacia el extremo inferior de las ranuras en el lado izquierdo y derecho del producto.



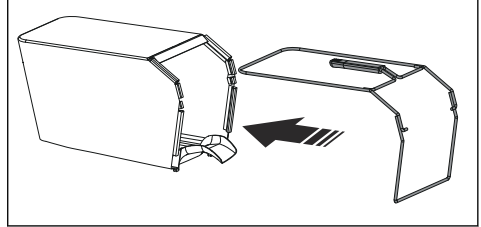
3. Ajuste la altura del manillar en una de las 2 posiciones disponibles.
4. Mueva los mandos hacia arriba, en dirección al manillar, hasta que finalice su recorrido y escuche un clic.



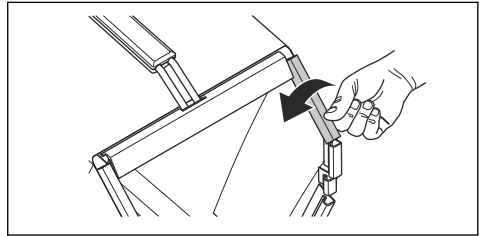
5. Apriete las ruedecillas por completo.

## Para montar el recogedor de césped

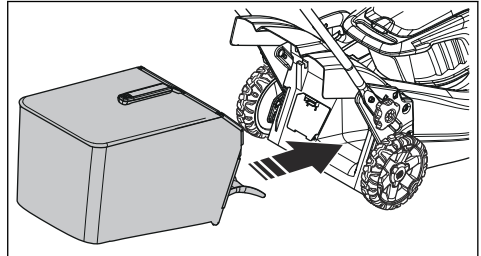
1. Coloque el bastidor del recogedor de césped en la bolsa de hierba con la parte rígida de la bolsa en la parte inferior. Mantenga el asa del bastidor en la parte superior de la bolsa para césped.



2. Coloque la parte inferior del bastidor del recogedor de césped en la ranura de la parte inferior del recogedor de césped.
3. Fije la bolsa para césped al bastidor del recogedor de césped con los clips.



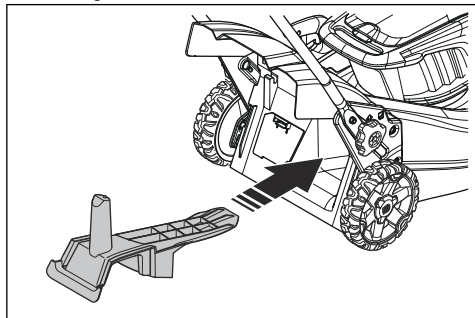
4. Levante la cubierta trasera.
5. Encaje el recogedor de césped en el borde superior del chasis.
6. Coloque la parte inferior del recogedor de césped en el canal de descarga.



## Para montar el triturador (accesorio)

1. Levante la cubierta trasera y extraiga el recogedor de césped.

2. Coloque el accesorio triturador en el canal de descarga.



3. Sustituya la cuchilla por una cuchilla trituradora que se suministra en el kit de trituración. Consulte la sección *Para sustituir la cuchilla en la página 174*.

---

## Funcionamiento

---

### Introducción



**ADVERTENCIA:** Antes de utilizar el producto, debe leer y entender el capítulo sobre seguridad.

### Husqvarna Connect

Husqvarna Connect es una aplicación gratuita para su dispositivo móvil. La aplicación Husqvarna Connect proporciona más funciones para su producto Husqvarna:

- Información ampliada sobre el producto.
- Información y asistencia sobre piezas y mantenimiento de productos.

### Uso de Husqvarna Connect

1. Descargue la aplicación Husqvarna Connect en su dispositivo móvil.
2. Registre una cuenta en la aplicación Husqvarna Connect.
3. Siga las instrucciones de la aplicación Husqvarna Connect para conectarse y registrar el producto.

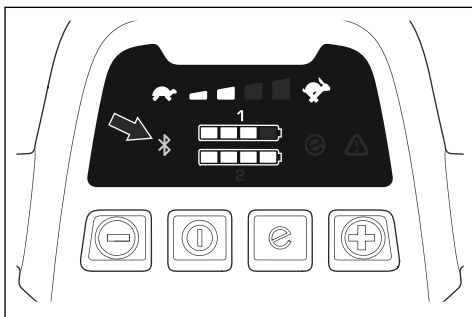
**Nota:** La aplicación Husqvarna Connect no se puede descargar en todos los mercados. Póngase en contacto con su distribuidor para obtener más información.

---

### Información de Bluetooth® (LC 347iVX, LC 353iVX)

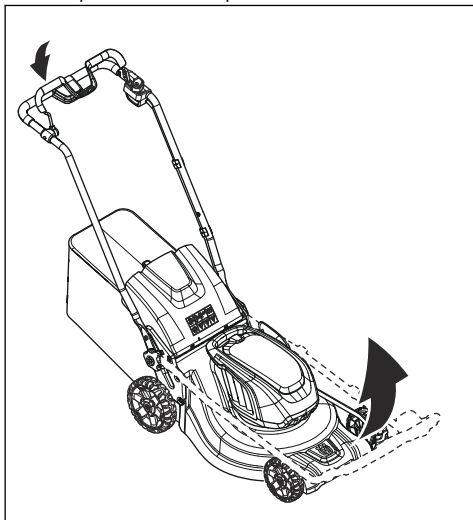
#### Tecnología inalámbrica Bluetooth®

El símbolo de tecnología inalámbrica *Bluetooth®* se enciende cuando el dispositivo móvil está conectado al producto.

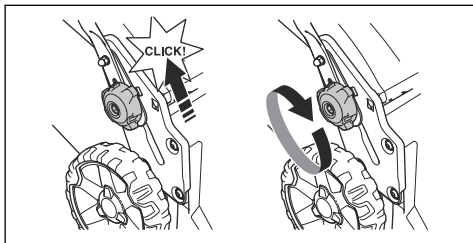


## Ajuste del producto en la posición de trabajo

1. Coloque el manillar en posición vertical.



2. Mueva las palomillas hacia arriba, en dirección al manillar, hasta que finalice su recorrido y escuche un clic.



3. Apriete las palomillas a fondo.



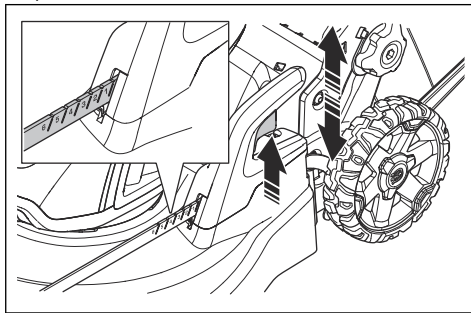
**ADVERTENCIA:** No utilice el producto si el manillar no está completamente desplegado hacia arriba y colocado en la posición de altura correspondiente. Consulte *Ajuste del mango* en la página 166.

## Para ajustar la altura de corte

La altura de corte puede ajustarse en 6 niveles.

1. Mueva la palanca de altura de corte hacia abajo para reducir la altura de corte.

2. Mueva la palanca de altura de corte hacia arriba para aumentar la altura de corte.



**PRECAUCIÓN:** No ajuste la altura de corte demasiado baja. Las cuchillas pueden golpear el suelo si la superficie del césped no está nivelada.

## Batería



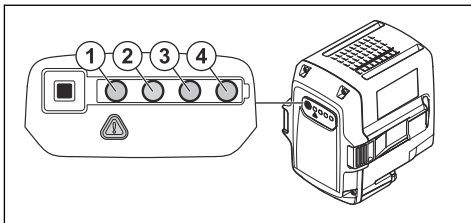
**ADVERTENCIA:** Antes de usar la batería, debe leer y entender el capítulo sobre seguridad. También debe leer y comprender el manual de usuario de la batería y el cargador de la batería.

Mantenga la batería y el cargador de la batería en lugares con una temperatura ambiente correcta.

	Temperatura ambiente
Funcionamiento de la batería	5 °C - 40 °C
Carga de la batería	5 °C - 40 °C

## Estado de la batería

La pantalla muestra la capacidad restante de la batería y si hay algún problema con la batería. La carga de la batería se muestra durante cinco segundos después de apagar el producto o pulsar el botón del indicador de la batería. El símbolo de advertencia de la batería se enciende cuando se produce un error. Consulte *Batería* en la página 175.



Indicadores LED	Estado de la batería
Todos los LED están encendidos	Carga completa (75-100 %)
LED 1, LED 2 y LED 3 encendidos	La batería tiene una carga del 50 %-75 %
LED 1 y LED 2 encendidos	La batería tiene una carga del 25 %-50 %
LED 1 encendido	La batería tiene una carga del 0 %-25 %.
El LED 1 parpadea	La batería está descargada. Cargue la batería.

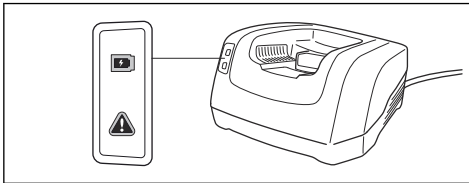
### Para cargar la batería

Cargue la batería antes de utilizarla por primera vez. La batería solo tiene un 30 % de carga cuando se entrega al cliente.

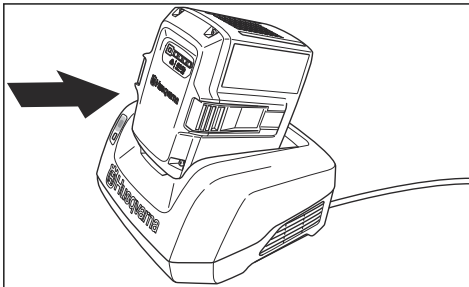
**Nota:** El cargador de la batería debe estar conectado a la tensión y la frecuencia indicadas en la placa de características.

La batería no se cargará si su temperatura es superior a 50 °C. El cargador de batería disminuye la temperatura de la batería antes de empezar a cargarse.

1. Conecte un extremo del cable de alimentación del cargador de batería a la toma de este último.
2. Conecte el otro extremo del cable de alimentación del cargador de batería a un enchufe de corriente con toma de tierra. El LED del cargador de batería parpadea de color verde una vez.



3. Coloque la batería en el cargador. La luz verde del cargador se enciende cuando la batería está conectada correctamente al cargador de batería.



4. Cuando todos los LED de la batería se hayan encendido, la batería estará totalmente cargada. Cargue la batería durante un máximo de 24 horas.
5. Para desconectar el cargador de la toma de corriente, tire del enchufe, no del cable de alimentación.
6. Retire la batería del cargador.

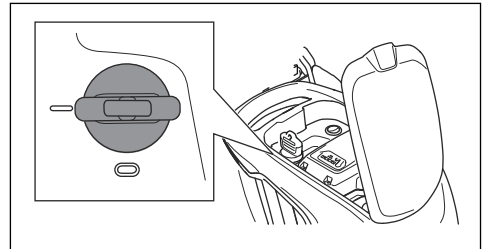
### Estado de la carga de la batería

Una batería de iones de litio de Husqvarna se puede cargar o utilizar sea cual sea su nivel de carga. La batería no sufre daños. La carga de una batería completamente cargada no se pierde aun cuando se deje en el cargador.

Indicadores LED	Estado de carga
El LED 1 parpadea	0 %-25 %
LED 1 encendido y LED 2 parpadeando	25 %-50 %
LED 1 y LED 2 encendidos; LED 3 parpadeando.	50 %-75 %
LED 1, LED 2 y LED 3 encendidos; LED 4 parpadeando.	75 %-100 %
LED 1, LED 2, LED 3 y LED 4 encendidos	Completamente cargada

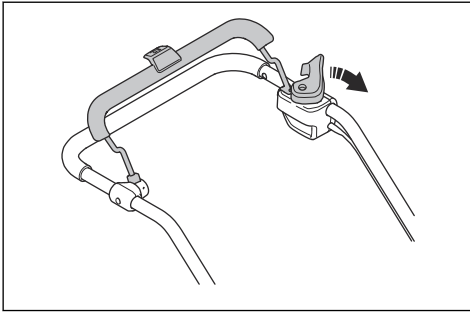
### Arranque del producto (LC 247i)

1. Abra la tapa de la batería.
2. Coloque una batería cargada en uno de los compartimentos de batería. Para prolongar la autonomía, coloque una segunda batería cargada en el otro compartimento de batería.
3. Gire la llave de seguridad a 1.

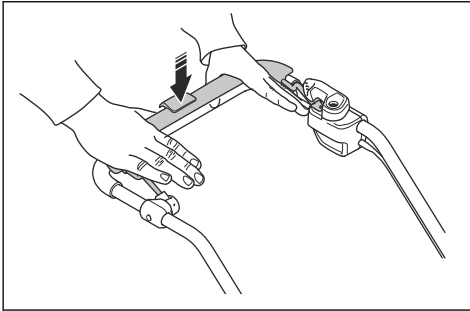


4. Manténgase detrás del producto.

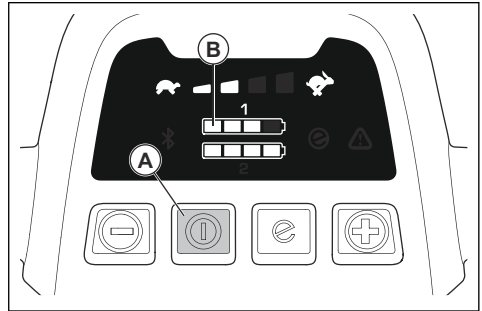
5. Afloje el inhibidor de arranque.



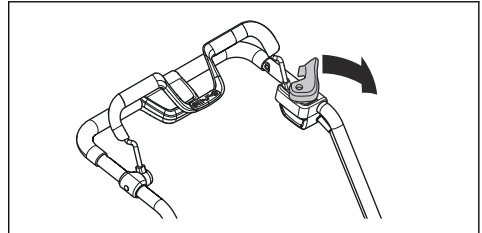
6. Empuje la palanca del freno del motor hacia el manillar.



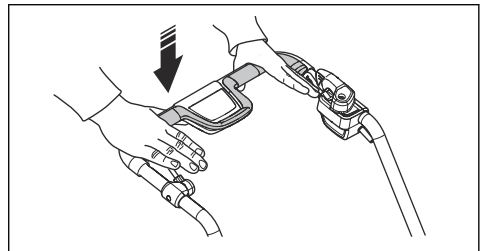
5. Pulse el botón ON/OFF (A) en el panel de control. La pantalla se enciende. El indicador de la batería (B) muestra el nivel de carga de ambas baterías. El número de la batería en funcionamiento se muestra en el área adyacente al indicador de batería. En los modelos LC 347iVX, LC 353iVX, la pantalla también muestra la velocidad.



6. Afloje el inhibidor de arranque.

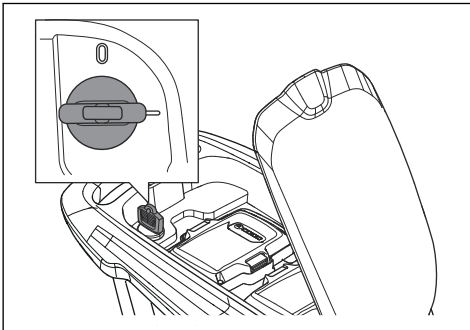


7. Empuje la palanca del freno del motor hacia el manillar.



## Arranque del producto (LC 347iVX, LC 353iVX)

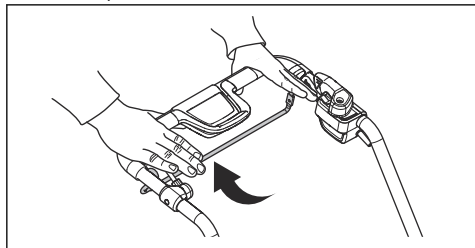
1. Abra la tapa de la batería.
2. Coloque una batería cargada en uno de los compartimentos de batería. Para prolongar la autonomía, coloque una segunda batería cargada en el otro compartimento de batería.
3. Gire la llave de seguridad a 1.



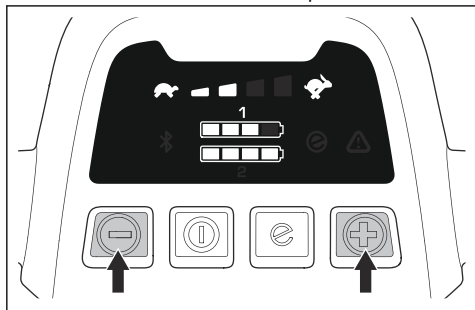
4. Manténgase detrás del producto.

## Uso de la transmisión de las ruedas LC 347iVX, LC 353iVX

- Tire del mango de transmisión en la dirección del manillar para arrancar la transmisión.



- Pulse + y - en el panel de control para ajustar la velocidad de la transmisión en 4 pasos.

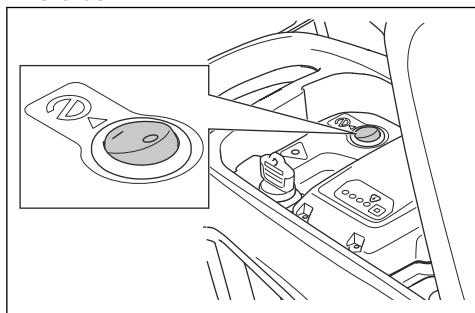


- Suelte el mango de transmisión para desacoplar la transmisión, por ejemplo, cuando se acerque a un obstáculo.

## Uso de la función SaveE™ (LC 247i)

El producto cuenta con una función de ahorro de batería (SaveE™) que le permite funcionar durante más tiempo.

- Coloque el botón SaveE™ en la posición 1 para iniciar la función.



- Coloque el botón SaveE™ en la posición 0 para detener la función.

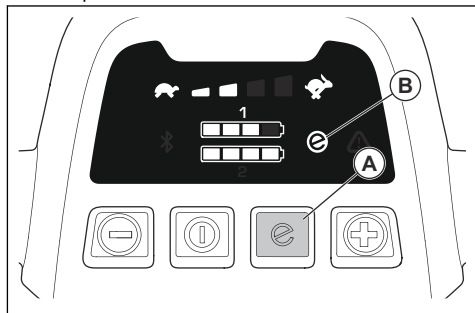
**Nota:** La función SaveE™ se detiene automáticamente si las condiciones del terreno requieren una mayor

potencia. La función SaveE™ se vuelve a activar automáticamente cuando las condiciones del terreno lo permitan.

## Uso de la función SaveE™ (LC 347iVX, LC 353iVX)

El producto cuenta con una función de ahorro de batería (SaveE™) que le permite funcionar durante más tiempo.

1. Pulse el botón SaveE™ (A) para activar la función. El símbolo de SaveE™ (B) se enciende en la pantalla.
2. Pulse de nuevo el botón SaveE™ para detener la función. El símbolo de SaveE™ (B) deja de aparecer en la pantalla.



**Nota:** La función SaveE™ se detiene automáticamente si las condiciones del terreno requieren una mayor potencia. La función SaveE™ se vuelve a activar automáticamente cuando las condiciones del terreno lo permitan.

## Función de carga alta

Quando el producto corta hierba larga o húmeda, el motor aumenta automáticamente las revoluciones. El motor regresa al modo normal cuando no se necesitan cargas altas.

## Rearranque automático

Durante el funcionamiento, la cuchilla y el motor pueden detenerse temporalmente debido a obstáculos como la acumulación de hierba bajo la cubierta del equipo de corte. Si esto ocurre y mantiene el mango del freno del motor presionado, el producto intentará arrancar de nuevo automáticamente. Si el producto no vuelve a arrancar en 5 segundos, puede que sea necesario limpiar bajo la cubierta del equipo de corte. Consulte *Limpeza del producto en la página 174*.



**ADVERTENCIA:** Antes de inspeccionar la cubierta del equipo de corte, suelte el mango del freno del motor, gire la llave de seguridad hasta la posición 0, quite la batería y espere al menos 5 segundos. Si al intentar retirar los obstáculos, el producto

se pusiera en marcha accidentalmente, podría sufrir lesiones.

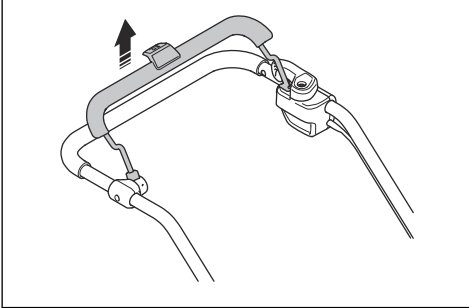
## Parada del producto (LC 347iVX, LC 353iVX)

### Parada del producto (LC 247i)



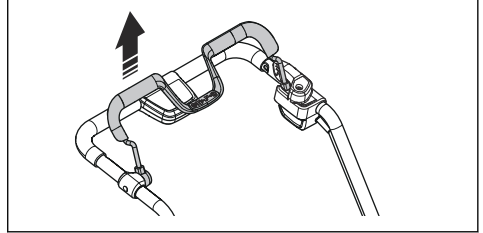
**ADVERTENCIA:** Apague la llave de seguridad colocándola en la posición 0 antes de dejar el producto fuera de la vista.

1. Suelte la palanca del freno del motor para detener el motor.

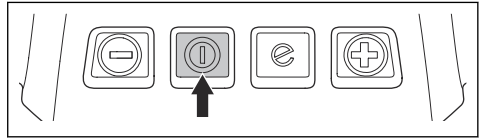


**ADVERTENCIA:** Apague la llave de seguridad colocándola en la posición 0 antes de dejar el producto fuera de la vista.

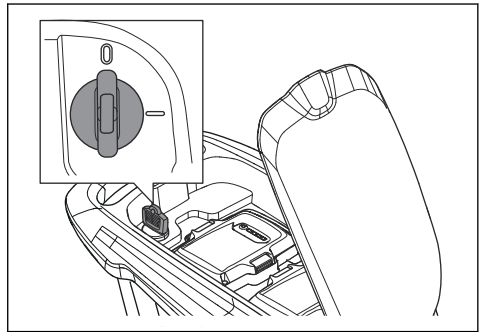
1. Suelte la palanca del freno del motor para detener el motor.



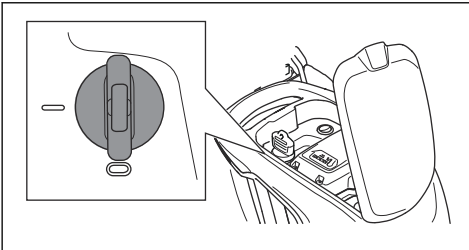
2. Pulse el botón ON/OFF en el panel de control. Todas las luces LED y símbolos que aparecen en la pantalla se apagarán.



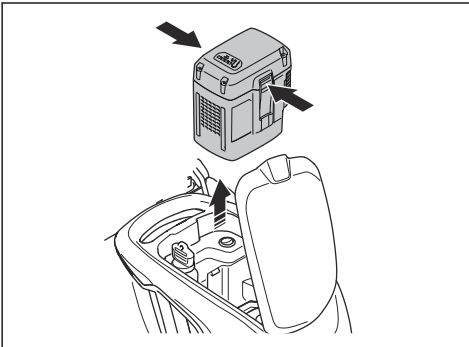
3. Abra la tapa de la batería y gire la llave de seguridad hasta 0.



2. Abra la tapa de la batería y gire la llave de seguridad hasta 0.



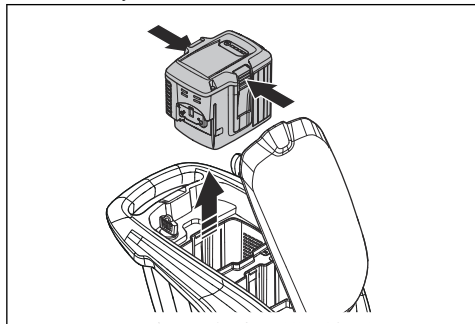
3. Para extraer la batería, presione los 2 botones de liberación y tire de ella hacia fuera.



4. Cargue la batería si está baja. Para obtener más información, consulte *Para cargar la batería en la página 169*.



4. Para extraer la batería, presione los 2 botones de liberación y tire de ella hacia fuera.



5. Cargue la batería si está baja. Para obtener más información, consulte *Para cargar la batería en la página 169*.

**Nota:** El producto se detiene automáticamente si no se utiliza durante unos minutos. Para arrancar el producto de nuevo, consulte *Arranque del producto (LC 347iVX, LC 353iVX) en la página 170*.

## Para obtener un buen resultado

- Use siempre una cuchilla afilada. Un cuchilla roma proporciona un resultado irregular y la superficie de corte de la hierba adquiere un tono amarillo. Una cuchilla afilada también utiliza menos energía que una cuchilla roma.

- No corte más de  $\frac{1}{3}$  de la longitud del césped. Corte primero con una altura de corte alta. Examine el resultado y baje la altura de corte al nivel que corresponda. Si la hierba está muy larga, vaya despacio y corte dos veces si es necesario.
- Corte en direcciones distintas cada vez para evitar crear rayas en el césped.
- Mantenga limpia la cubierta del equipo de corte. La acumulación de hierba y suciedad en el interior de esta cubierta puede reducir el resultado del corte. Consulte la sección *Limpieza del producto en la página 174*.

## Para cortar el césped sin un recogedor de césped o un triturador instalado

- Levante la cubierta trasera y extraiga el recogedor de césped.
- Si hay un triturador y una cuchilla trituradora instalados, retírelos.
- Cierre la cubierta posterior antes de utilizar el producto.

Cuando se utiliza el producto, la hierba cortada se expulsa por debajo de la cubierta posterior.

# Mantenimiento

## Introducción



**ADVERTENCIA:** Antes de realizar cualquier trabajo de mantenimiento, debe leer y entender el capítulo sobre seguridad.

Para todos los trabajos de mantenimiento y reparación del producto, es necesario realizar una formación especial. Nosotros garantizamos que los trabajos de mantenimiento y reparación sean realizados por profesionales. Si su distribuidor no es un taller de servicio, pídale información sobre el taller de servicio más cercano.

Para obtener información detallada, consulte [www.husqvarna.com](http://www.husqvarna.com).

## Programa de mantenimiento

Los intervalos de mantenimiento se calculan a partir del uso diario del producto. Los intervalos cambian si el producto no se utiliza a diario.

Para las tareas de mantenimiento identificadas con un \*, consulte las instrucciones de *Seguridad en la página 159*.

	A cada uso	Mensual	Cada temporada
Inspección general	X		
Limpie el producto	X		
Realice una comprobación del inhibidor de arranque *	X		

	A cada uso	Mensual	Cada temporada
Compruebe que los dispositivos de seguridad del producto no estén defectuosos *	X		
Inspeccione el equipo de corte	X		
Examine la cubierta de corte *	X		
Realice una comprobación de la palanca del freno del motor *	X		
Asegúrese de que el botón de encendido/apagado funciona correctamente y que no está defectuoso	X		
Examine la batería en busca de posibles daños	X		
Compruebe la carga de la batería	X		
Compruebe que los botones de liberación de la batería funcionan correctamente y que la batería se acopla al producto	X		
Examine el cargador de la batería para ver si está dañado y asegúrese de que funciona correctamente.		X	
Examine las conexiones entre la batería y el producto. Examine también la conexión entre la batería y el cargador de batería.			X

## Para realizar una inspección general

- Asegúrese de que las tuercas y los tornillos del producto estén bien apretados.
- Asegúrese de que los cables del producto no están en una posición en la que puedan resultar dañados.

## Limpieza del producto

- Limpie las piezas de plástico con un paño limpio y seco.
- No utilice agua para limpiar el producto. El agua puede entrar en la batería o el motor y causar un cortocircuito o daños en el producto.
- No utilice un equipo de limpieza a alta presión para limpiar el producto.
- No vierta agua directamente sobre el motor.
- Use un cepillo para retirar las hojas, la hierba y la suciedad.

## Para limpiar la batería y el cargador de la batería



**ADVERTENCIA:** No limpie la batería o el cargador con agua.

- Asegúrese de que batería y cargador estén limpios y secos antes de colocar la batería en el cargador.
- Limpie los bornes de la batería con aire comprimido o con un paño suave y seco.
- Limpie las superficies de la batería y el cargador con un paño suave y seco.

## Para inspeccionar el equipo de corte



**ADVERTENCIA:** Para evitar un arranque accidental, gire la llave de seguridad hasta la posición 0, retire la batería y espere al menos 5 segundos.



**ADVERTENCIA:** Utilice guantes protectores cuando realice el mantenimiento del equipo de corte. La cuchilla está muy afilada y se pueden producir cortes con mucha facilidad.

1. Inspeccione el equipo de corte para comprobar si presenta daños o grietas. Sustituya siempre un equipo de corte dañado.
2. Inspeccione la cuchilla para comprobar si está dañada o roma.

**Nota:** Después de afilar la cuchilla, es necesario equilibrarla. El afilado, la sustitución y el equilibrado de la cuchilla deben realizarse en un centro de servicio. Si choca con un obstáculo que haga que el producto se pare, sustituya la cuchilla dañada. Lleve el producto a un centro de servicio, donde estimarán si la cuchilla puede afilarse o debe sustituirse.

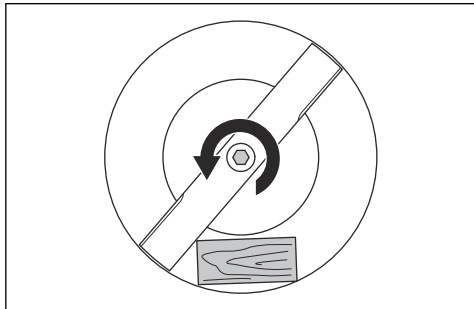
## Para sustituir la cuchilla

Consulte *Datos técnicos en la página 179* para saber cuál es el tipo de cuchilla correcto.

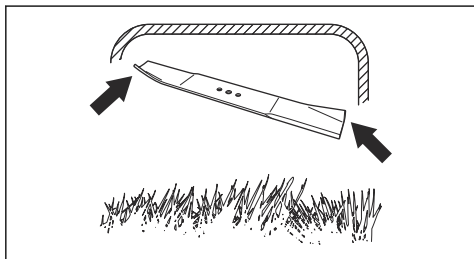


**ADVERTENCIA:** Bloquee la cuchilla con un trozo de madera para evitar lesiones en los dedos mientras la sustituye. La cuchilla podría moverse con el motor apagado y pillarse los dedos entre la cuchilla y las piezas fijas.

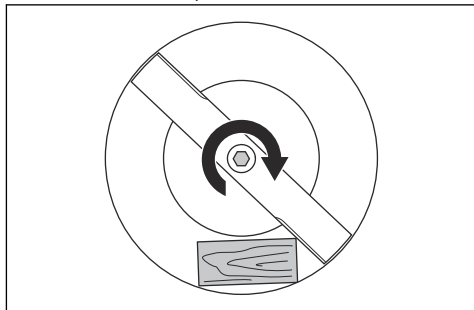
1. Bloquee la cuchilla con un bloque de madera.



2. Extraiga el tornillo de la cuchilla.
3. Desmonte la cuchilla.
4. Inspeccione el soporte de la cuchilla y el tornillo de la cuchilla para comprobar si presentan daños.
5. Inspeccione el eje del motor para asegurarse de que no está doblado.
6. Cuando instale la nueva cuchilla, colóquela con los extremos en ángulo en dirección a la cubierta de corte.



7. Asegúrese de que la cuchilla quede alineada con el centro del eje del motor.
8. Bloquee la cuchilla con un bloque de madera. Coloque la arandela elástica, y apriete el perno y la arandela con un par de 23–28 Nm.



9. Mueva la cuchilla en distintas direcciones manualmente y compruebe que gira libremente.



**ADVERTENCIA:** Use guantes resistentes. La cuchilla está muy afilada y se pueden producir cortes con mucha facilidad.

10. Arranque el producto para hacer una prueba de la cuchilla. Si la cuchilla no está correctamente fijada, se produce una vibración en el producto o el resultado de corte no es satisfactorio.

## Resolución de problemas

### Batería

Indicador LED de la batería	Causa	Solución
El LED verde parpadea.	La tensión de la batería es baja.	Recargue la batería. Consulte la sección <i>Para cargar la batería en la página 169</i> .

Indicador LED de la batería	Causa	Solución
El LED de error parpadea.	La batería está baja.	Recargue la batería. Consulte la sección <i>Para cargar la batería en la página 169</i> .
	La temperatura en el entorno de trabajo es demasiado alta o demasiado baja.	Utilice la batería con temperaturas de entre 5 °C y 40 °C.
	Sobretensión.	Compruebe que la tensión de la red eléctrica es la misma que la que figura en la placa de características del producto.  Retire la batería del cargador. Espere 5 segundos y vuelva a intentar cargar la batería. Si el problema persiste, diríjase a un taller de servicio autorizado.
El LED de error está encendido.	La diferencia entre las celdas es demasiado grande (1 V).	Acuda a un taller de servicio autorizado.

## Cargador de baterías

LED del cargador de batería	Causa	Solución
El LED de error parpadea.	La temperatura en el entorno de trabajo es demasiado alta o demasiado baja.	Utilice el cargador de la batería con temperaturas de entre 5 °C y 40 °C.
El LED de error está encendido.		Acuda a un taller de servicio autorizado.

## Cortacésped

El indicador de advertencia (LED de error) se encuentra debajo de la tapa de la batería ((LC 247i)) o en el panel de control ((LC 347iVX, LC 353iVX)).

Problema	LED de error (número de parpadeos)	Causa	Solución
El LED de error parpadea. El producto no funciona correctamente.	3	La cuchilla está bloqueada.	Apague la llave de seguridad colocándola en la posición 0 para evitar un arranque accidental. Extraiga la batería y espere mínimo 5 segundos. Retire todos los obstáculos posibles y asegúrese de que la cuchilla pueda girar libremente. Si el problema persiste, diríjase a un taller de servicio autorizado.
	5	El régimen del motor desciende demasiado y el motor se detiene.	Aumente la altura de corte. Consulte la sección <i>Para ajustar la altura de corte en la página 168</i> .
	6 <sup>25</sup>	Las ruedas o la transmisión están bloqueadas.	Apague la llave de seguridad colocándola en la posición 0 para evitar un arranque accidental. Extraiga la batería y espere mínimo 5 segundos. Retire todos los obstáculos posibles y asegúrese de que las ruedas pueda girar libremente. Si el problema persiste, diríjase a un taller de servicio autorizado.
	10	El control del motor está demasiado caliente.	Detenga el motor y espere hasta que se haya enfriado.
El LED de error parpadea. El producto se detiene.	0	Fallo del conector de la batería.	Examine el conector de la batería.
	3	Se ha producido una sobrecarga en el motor.	Aumente la altura de corte. Consulte la sección <i>Para ajustar la altura de corte en la página 168</i> .
	8	La batería está baja.	Recargue la batería. Consulte la sección <i>Para cargar la batería en la página 169</i> .
	9	Error de batería o ausencia de señal de la batería.	Coloque la batería en el producto correctamente y examine el conector de la batería. Si el LED de error de la batería parpadea. Consulte la sección <i>Batería en la página 175</i> .
	12	Procedimiento de arranque incorrecto. La palanca del freno del motor se ha activado antes del arranque del motor.	Suelte la palanca del freno del motor y espere aproximadamente 5 segundos. Baje la palanca del freno del motor para volver a arrancar el producto.
Otros errores.	Si se producen otros errores, gire la llave de seguridad a la posición 0, quite la batería y hable con un técnico de servicio autorizado.		

<sup>25</sup> LC 347iVX, LC353iVX

# Transporte, almacenamiento y eliminación

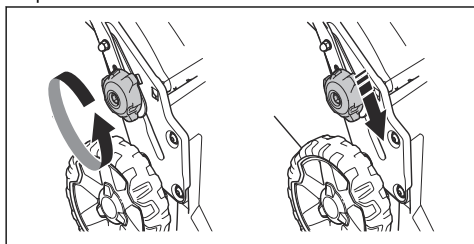
## Introducción



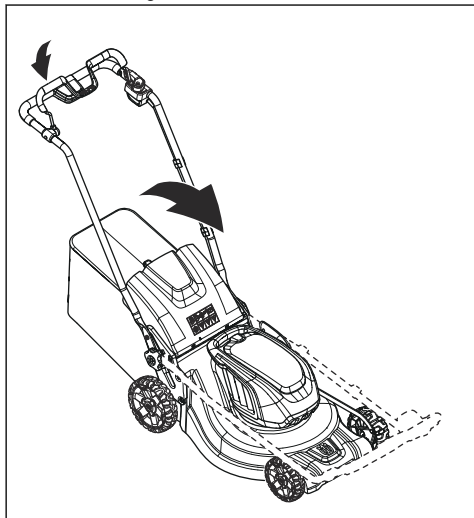
**ADVERTENCIA:** Para evitar un arranque imprevisto durante el transporte, gire la llave de seguridad hasta la posición 0, retire la batería y espere al menos 5 segundos.

## Ajuste del producto a la posición de transporte

1. Afloje las ruedecillas inferiores.
2. Mueva las ruedecillas hacia el extremo inferior de las ranuras en el lado izquierdo y derecho del producto.



3. Doble el mango hacia delante.



4. Retire el recogedor de césped.

## Transporte

- Las disposiciones de la legislación sobre mercancías peligrosas se aplican a las baterías de iones de litio incluidas en el producto.

- Para los transportes comerciales, se deben acatar los requisitos especiales sobre embalajes y etiquetas.
- Asegúrese de que se cumplan las disposiciones sobre materiales peligrosos cuando prepare el producto para su transporte. Se pueden aplicar las regulaciones locales.
- No olvide extraer la batería para el transporte.
- Coloque cinta aislante en los conectores de la batería y asegúrese de que la batería no se desplace durante el transporte.
- Fije el producto durante el transporte.

## Almacenamiento

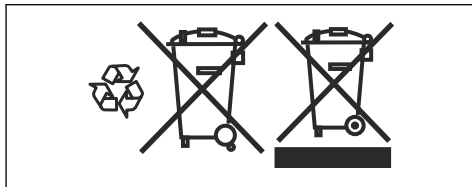
- Antes de guardarlo, espere a que el producto se enfríe.
- Extraiga siempre la batería para el almacenamiento.
- Para evitar accidentes, asegúrese de que la batería no esté conectada al producto durante el almacenamiento.
- Mantenga el cargador de batería en un lugar cerrado y seco.
- Mantenga la batería y el cargador de batería en un lugar seco donde no haya humedad ni escarcha.
- Cuando guarde la batería, desconéctela del cargador.
- No almacene la batería en lugares donde pueda generarse electricidad estática. No guarde la batería en una caja metálica.
- Cuando guarde el producto, hágalo en un lugar con una temperatura ambiente comprendida entre  $-10^{\circ}\text{C}$  y  $40^{\circ}\text{C}$ .
- Guarde la batería en un lugar con una temperatura ambiente comprendida entre  $5^{\circ}\text{C}$  y  $25^{\circ}\text{C}$ , y protegida de la luz solar.
- Guarde el cargador de la batería en un lugar con una temperatura ambiente comprendida entre  $5^{\circ}\text{C}$  y  $45^{\circ}\text{C}$ , y protegido de la luz solar.
- Asegúrese de que la batería esté cargada al 30 %-50 % antes de guardarla durante largos periodos de tiempo.
- Mantenga el producto, la batería y cargador de batería en un lugar bajo llave fuera del alcance de los niños y de personas sin autorización.
- Limpie el producto y no olvide vaciar el recogedor de césped.
- Lleve a cabo las tareas de mantenimiento que se indican en este manual de usuario. Consulte la sección *Mantenimiento en la página 173*.
- Realice un mantenimiento completo del producto antes de guardarlo durante un largo periodo de tiempo.

## Eliminación

Los símbolos del producto o del embalaje del producto indican que este producto no puede desecharse como residuo doméstico. Debe enviarse a una estación de reciclaje apropiada para la recuperación de piezas eléctricas y electrónicas.

Si se asegura de que se trata este producto correctamente, puede ayudar a contrarrestar el posible impacto negativo para el medio ambiente y las personas que podría darse por una gestión incorrecta de los residuos del mismo. Si desea información más detallada

sobre el reciclaje de este producto, póngase en contacto con su ayuntamiento, el servicio de recogida de basuras o la tienda donde lo adquirió.



## Datos técnicos

### Datos técnicos

	LC 247I	LC 347IVX	LC 353IVX
<b>Motor de corte</b>			
Tipo de motor	BLDC (sin cepillo) 36 V	BLDC (sin cepillo) 36 V	BLDC (sin cepillo) 36 V
Velocidad del motor - SavE, rpm	2600/min.	2600/min.	2600/min.
Velocidad del motor - nominal, rpm	3000/min.	3000/min.	3000/min.
Régimen del motor - carga alta, rpm	3500/min.	3500/min.	3500/min.
Potencia del motor (máx.), kW	0,96	0,96	1,05
Potencia del motor (nominal), kW	0,75	0,75	0,9
<b>Motor de accionamiento</b>			
Potencia del motor (nominal), kW	N/D	0,25	0,25
Velocidad de movimiento, km/h	N/D	3,0-4,5	3,0-4,5
Niveles de ajuste de velocidad	N/D	4	4
<b>Peso</b>			
Peso sin bolsa (sin batería), kg	24,5	26	28
Peso con bolsa (incl. 2 BLi30), kg	30,5	32,0	34,5
<b>Batería</b>			
Tipo de batería	Serie con batería Husqvarna		
<b>Duración de la batería</b>			
Autonomía de la batería, min., (funcionamiento continuo) con modo SavE activado, con una batería Husqvarna de 7,7 Ah (BLi30).	62	62	46
Autonomía de la batería, min., (funcionamiento continuo) con modo estándar activado, con una batería Husqvarna de 7,7 Ah (BLi30).	43	43	28

	LC 247i	LC 347IVX	LC 353iVX
<b>Emisiones de ruido</b> <sup>26</sup>			
Nivel de potencia acústica, dB(A) medidos	94	94	97
Nivel de potencia acústica garantizado L <sub>WA</sub> dB(A)	95	95	98
<b>Niveles acústicos</b> <sup>27</sup>			
Nivel de presión sonora en el oído del operario, dB (A)	82	82	86
<b>Niveles de vibraciones</b> <sup>28</sup>			
Manillar, m/s <sup>2</sup>	0,42	0,42	2,64
<b>Equipo de corte</b>			
Altura de corte, mm	20-75 mm	20-75 mm	20-75 mm
Anchura de corte, cm	47	47	53
Cuchilla estándar	Recogedora 5905934-10	Recogedora 5905934-10	Recogedora 5940757-10
Accesorio de cuchilla	Trituradora 5907010-10	Trituradora 5907010-10	Trituradora 5950072-10
Capacidad del recogedor de césped, litros	55	55	60

<b>Transmisión de datos por radiofrecuencia para Bluetooth®</b>	LC 247i	LC 347IVX	LC 353iVX
Banda de frecuencia, GHz	N/D	2,4-2,4835	2,4-2,4835
Potencia de salida, dBm máx.	N/D	4	4

<b>Baterías homologadas</b>	<b>Tipo</b>	<b>Capacidad de la batería, Ah</b>	<b>Tensión, V</b>	<b>Peso, lb/kg</b>
BLi20	iones de litio	4,0	36	2,6/1,2
BLi30	iones de litio	7,7	36	4,2/1,9

<sup>26</sup> Emisiones sonoras en el entorno medidas como potencia acústica (L<sub>WA</sub>) según la directiva 2000/14/CE.

<sup>27</sup> Los datos indicados sobre el nivel de presión acústica tienen un factor de incertidumbre (K) de 1,5 dB(A).

<sup>28</sup> Los datos indicados sobre los niveles de vibración tienen un factor de incertidumbre (K) de 1,5 m/s<sup>2</sup>. El valor total de vibración indicado se ha medido según el Anexo I de la norma EN 62841-4-3 y puede utilizarse para comparar máquinas y para realizar una evaluación preliminar de la exposición.



<b>Cargadores de baterías homologados para las baterías especificadas, BLi</b>	<b>Tensión de entrada, V</b>	<b>Frecuencia, Hz</b>	<b>Potencia, W</b>
QC80	100-240	50-60	80
40-C80	100-240	50-60	68,8
QC250	100-240	50-60	250

# Declaración de conformidad

## Declaración de conformidad UE

Nosotros, **Husqvarna AB**, SE-561 82 Huskvarna (Suecia), tel. +46-36-146500, declaramos bajo nuestra exclusiva responsabilidad que el producto:

<b>Descripción</b>	Cortacésped
<b>Marca</b>	Husqvarna
<b>Tipo/Modelo</b>	LC 247i
<b>Identificación</b>	Números de serie a partir del año 2021

Cumple las siguientes directivas y normas de la UE:

<b>Directiva/Norma</b>	<b>Descripción</b>
2006/42/CE	"relativa a las máquinas"
2014/30/UE	"relativa a la compatibilidad electromagnética"
2000/14/CE	"relativa a las emisiones sonoras en el entorno"
2011/65/UE	"relativa a restricciones de utilización de determinadas sustancias peligrosas en aparatos eléctricos y electrónicos"

Y que se aplican las especificaciones técnicas o los estándares siguientes: EN 62841-1:2015+AC:2015, EN 62841-4-3:2021+A11:2021, EN ISO 12100:2010, EN 55014-1:2017+A11:2020, EN 55014-2:2015, EN IEC 63000:2018.

Organismo notificado: 0404, RISE SMP Svensk Maskinprovning AB, Box 7035, SE-750 07 Uppsala ha certificado la conformidad con la directiva del Consejo 2000/14/CE, Procedimiento de evaluación de conformidad: Anexo VI.

Para obtener información respecto a las emisiones sonoras, consulte *Datos técnicos en la página 179*.

Huskvarna, 2021-12-01



Claes Losdal, Director de desarrollo/Productos para jardín, Husqvarna AB

Responsable de la documentación técnica



## Declaración de conformidad UE

Nosotros, **Husqvarna AB**, SE-561 82 Huskvarna (Suecia), tel. +46-36-146500, declaramos bajo nuestra exclusiva responsabilidad que el producto:

<b>Descripción</b>	Cortacésped
<b>Marca</b>	Husqvarna
<b>Tipo/Modelo</b>	LC 347iVX, LC 353iVX
<b>Identificación</b>	Números de serie a partir del año 2021-12-01

Cumple las siguientes directivas y normas de la UE:

<b>Directiva/Norma</b>	<b>Descripción</b>
2006/42/CE	"relativa a las máquinas"
2014/53/UE	"relativa a equipos de radio"
2000/14/CE	"relativa a las emisiones sonoras en el entorno"
2011/65/UE	"relativa a restricciones de utilización de determinadas sustancias peligrosas en aparatos eléctricos y electrónicos"

Y que se aplican las especificaciones técnicas o los estándares siguientes: EN 62841-1:2015+AC:2015, EN 62841-4-3:2021+A11:2021, EN ISO 12100:2010, EN 55014-1:2017+A11:2020, EN 55014-2:2015, EN IEC 63000:2018, EN ETSI 300 328 v.2.2.2, EN 50663: 2017, ETSI EN 301 489-1 V2.2.3, ETSI EN 301 489-17 V3.2.4.

Organismo notificado: 0404, RISE SMP Svensk Maskinprovning AB, Box 7035, SE-750 07 Uppsala ha certificado la conformidad con la directiva del Consejo 2000/14/CE, Procedimiento de evaluación de conformidad: Anexo VI.

Para obtener información respecto a las emisiones sonoras, consulte *Datos técnicos en la página 179*.

Huskvarna, 2021-12-01

Claes Losdal, Director de desarrollo/Productos para jardín, Husqvarna AB

Responsable de la documentación técnica



---

## Marcas comerciales registradas

---

Los logotipos y las denominaciones *Bluetooth®* son marcas comerciales registradas propiedad de *Bluetooth SIG, inc.* y su uso por parte de Husqvarna está sujeto a una licencia.

---

## Sisukord

---

Sissejuhatus.....	184	Veaotsing.....	201
Ohutus.....	186	Transportimine, hoiulepanek ja utiliseerimine.....	202
Kokkupanek.....	192	Tehnilised andmed.....	204
Töö.....	193	Vastavusdeklaratsioon.....	206
Hooldamine.....	199	Registreeritud kaubamärgid.....	207

---

## Sissejuhatus

---

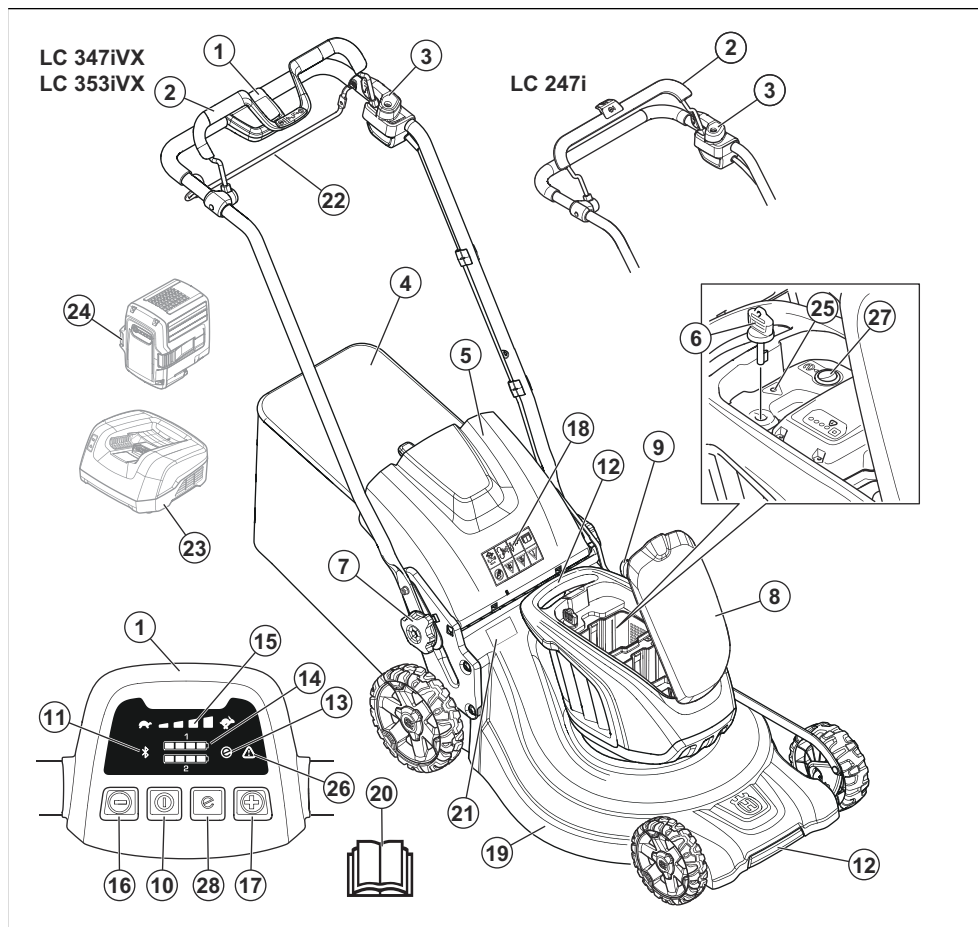
### Toote kirjeldus

Tooteks on lükatav ja pöörlev muruniiduk. Muru kogutakse rohukogurisse. Kui soovite, et muru väljutataks tagant, eemaldage rohukogur. Selleks et muru lõigataks väetiseks, paigaldage multšimiskomplekt (lisavarustus).

### Kasutusotstarve

Kasuta toodet muru pügamiseks. Ära kasuta toodet muude tööde tegemiseks.

## Toote tutvustus



- |  |  |
|--|--|
| 1. Juhtpaneel (LC 347iVX, LC 353iVX)       | 16. Kiiruse vähendamise nupp (LC 347iVX, LC 353iVX)  |
| 2. Mootori pidurikäepide                   | 17. Kiiruse suurendamise nupp (LC 347iVX, LC 353iVX) |
| 3. Käivitustõke                            | 18. Sümbolid   |
| 4. Rohukogur                               | 19. Lõikekorpus                                      |
| 5. Tagumine kate                           | 20. Kasutusjuhend                                    |
| 6. Ohutusüliti                             | 21. Andmesilt  |
| 7. Juhtraua nupp                           | 22. Veo käepide (LC 347iVX, LC 353iVX)               |
| 8. Akukate                                 | 23. Akulaadija (lisatarvik)                          |
| 9. Lõikekõrguse regulaator                 | 24. Aku (lisatarvik)                                 |
| 10. Nupp ON/OFF                            | 25. Tõrke LED-tuli (LC 247i)                         |
| 11. Juhtmeta Bluetooth®-tehnoloogia näidik | 26. Tõrke LED-tuli (LC 347iVX, LC 353iVX)            |
| 12. Tõstekäepidemed                        | 27. SavE-nupp (LC 247i)                              |
| 13. SavE-näidik                            | 28. SavE-nupp (LC 347iVX, LC 353iVX)                 |
| 14. Akunäidik                              |  |
| 15. Kiirusenäidik (LC 347iVX, LC 353iVX)   |  |

## Sümbolid tootel



HOIATUS!



Lugege läbi juhised.



HOIATUS! Olge tähelepanelik paiskuvate esemete suhtes.



Hoidke kõrvalseisjad eemale.



HOIATUS! Hoidke käed ja jalad teradest eemal.



HOIATUS! Enne hooldamist ühendage aku lahti.



Toode või toote pakend ei kuulu olmejäätmete hulka. Toimetage see elektri- ja elektroonikajäätmete ringlussevõtukeskusesse.



See seade vastab kehtivatele EÜ direktiividele.



Ümbritsevasse keskkonda leviva müra taseme silt EL-i ning Ühendkuningriigi direktiivide ja eeskirjade kohaselt. Toote garanteeritud helivõimsuse taseme andmed leiате

jaotisest *Tehnilised andmed lk 204* ja siltiit.

## IPX1

Toode on pritsmekindel.



Seiskamiseks vabastage mootori pidurikäepide.



Skannitav kood

**Märkus:** Ülejäänud seadmel toodud sümbolid/ tähised vastavad teatud riikides kehtivatele sertifitseerimisnõuetele.

## Silt seadmel



OHT! Hoidke käed ja jalad eemal.

## Tootevastutus

Tootevastutusseaduste alusel ei vastuta me tootest tingitud kahjustuste eest, kui:

- toodet on valesti parandatud;
- toote parandamisel on kasutatud osi, mis ei ole tootja poolt valmistatud või heaks kiidetud;
- tootel on kasutatud tarvikut, mis ei ole tootja poolt valmistatud või heaks kiidetud;
- toodet ei ole parandatud volitatud hoolduskeskuses või volitatud isiku poolt.

## Ohutus

### Ohutuse määratlused

Mõistetega „hoiatus“, „ettevaatus“ ja „märkus“ juhitakse tähelepanu eriti olulistele kohtadele kasutusjuhendis.



**HOIATUS:** Tähistab kasutusjuhendi juhiste eiramise korral kasutaja või

kõrvalseisjate kehavigastuse või surmaga lõppeva õnnetuse ohtu.



**ETTEVAATUST:** Tähistab kasutusjuhendi juhiste eiramise korral

seadme, muude esemete või läheduses asuvate objektide kahjustamise ohtu.

**Märkus:** Tähistab antud olukorras vajalikku lisateavet.

## Üldised tooteohutuse hoiatused



**HOIATUS:** Lugege läbi kõik tootega kaasas olevad hoiatused, juhised, tehnilised andmed ning tutvuge joonistega. Alltoodud juhiste eiramine võib põhjustada elektrilöögi, tulekahju ja/või ohtlikku kehavigastuse.

Hoidke kõik ohutuselased märkused ja juhised edasiseks kasutamiseks alles. Hoiatuses kasutatud mõiste „toode“ tähistab võrgutoitel (juhtmega) elektritööriista või akutoitel (juhtmeta) elektritööriista.

### Tööala ohutus

- Hoidke tööala puhas ja tagage hea valgustus. Segamini või hämarad alad on õnnetusealdisid.
- Ärge kasutage toodet plahvatusohtlikus keskkonnas, näiteks tuleohtlike vedelike, gaaside või tolmude läheduses. Toode võib tekitada sädemeid, mis võivad tolmude või auru süüdata.
- Hoidke toote kasutamise ajal lapsed ja kõrvalseisjad tööalast eemale. Tähelepanu hajumine võib põhjustada kontrolli kaotamist.

### Elektriohutus

- Elektritööriista pistikud peavad pistikupesaga ühilduma. Ärge muutke pistikut mis tahes viisil. Ärge kasutage maandusega toodete puhul adapterpistikuid. Muutmata pistikud ja sobivad pistikupesad vähendavad elektrilöögi ohtu.
- Vältige kehalist kokkupuudet maandatud pindadega (nt torud, radiaatorid, elektripliidid ja külmikud). Keha maandamise korral on elektrilöögi oht suurem.
- Ärge laske toodetel kokku puutuda vihma ega niiskusega. Toote sisse tunginud vesi suurendab elektrilöögi ohtu.
- Kasutage juhet õigesti. Ärge kunagi kasutage kaablit toote kandmiseks, tõmbamiseks või pistikupesast eemaldamiseks. Kaitske juhet kuumuse, õli, teravate servade ja liikuvate osade eest. Kahjustatud või sõlmes juhe suurendab elektrilöögi ohtu.
- Tootega ühes töötamisel kasutage välislingimustes kasutamiseks sobivat pikendusjuhet. Välislingimustes kasutamiseks sobiva pikendusjuhtme kasutamine vähendab elektrilöögi ohtu.
- Kui toote kasutamine niiskes keskkonnas on vältimatu, kasutage rikkevoolukaitsmega (RCD) kaitsitud toidet. RCD kasutamine vähendab elektrilöögi ohtu.

## Inimeste kaitsmine

- Olge toote kasutamisel tähelepanelik, jälgige oma tegevust ja kasutage tervet mõistust. Ärge kasutage toodet, kui olete väsinud või uimastite, alkoholi või ravimite mõju all. Hetkeline tähelepanematus toote kasutamise ajal võib lõppeda raskete kehavigastustega.
- Kasuta isikukaitselahendeid. Kasutage alati kaitseprille. Asjakohastes tingimustes kaitsevahendite (nt tolmumask, mittelibisevad turvajalatsid, kiiver või kõrvaklapid) kasutamine vähendab kehavigastuste ohtu.
- Vältige soovimatut käivitumist. Enne toote ühendamist toiteallika ja/või akuga, üles tõstmist või kandmist veenduge, et lüliti oleks väljalülitatud asendis. Kui kannate toodet nii, et sõrm on toitelüliti, või ühendate toote vooluvõrku, kui toitelüliti on sisse lülitatud, võib see lõppeda õnnetusega.
- Eemaldage enne seadme sisselülitamist kõik reguleerimis- ja nutrivõtmed. Seadme pöörleva osa külge jäetud mutri- või muu võti võib tekitada kehavigastusi.
- Ärge küünitage liiga kaugele. Säilitage kogu aeg kindel jalgealune ja tasakaal. See tagab ootamatutes olukordades seadme üle parema kontrolli.
- Kandke nõuetekohaseid riideid. Ärge kandke lahtiseid rõivaid ega etteid. Hoidke juuksed ja rõivad liikuvatest osadest eemal. Lahtised rõivad, etteid või pikad juuksed võivad liikuvate osade vahele kinni jääda.
- Kui seadmel on ühendus tolmueemaldus- ja kogumisseadmete jaoks, veenduge, et need on ühendatud ja neid kasutatakse õigesti. Tolmukogumise kasutamise abil saab vähendada tolmuga seotud ohte.
- Ärge muutuge tööriistade sagedasest kasutusest hooletuks ning ärge eirake tööriistade ohutu kasutamise põhimõtteid. Hooletu tegevus võib ka murdos sekundi jooksul põhjustada tõsiselt kehavigastusi.

## Toote kasutamine ja hooldamine

- Ärge koo make toodet üle. Kasutage rakenduse jaoks õiget toodet. Õige toode teeb töö ära paremini, ohutumalt ja ettenähtud kiirusel.
- Ärge kasutage toodet, kui see lüliti vajutamisel ei lülitu sisse ega välja. Mis tahes toode, mida pole võimalik lüliti abil juhtida, on ohtlik ja tuleb viivitamatult parandada.
- Enne toote reguleerimist, tarvikute vahetamist või hoiustamist eemaldage pistik toiteallikast ja/või eemaldage toote küljest aku, kui see on eemaldatav. Taolised ennetavad ohutusmeetmed vähendavad toote tahtmatu käivitamise ohtu.
- Hoidke toodet, mida te parasjagu ei kasuta, lastele kättesaamatus kohas ning ärge lubage toodet kasutada isikutel, kes ei oska seda kasutada või pole neid juhiseid läbi lugenud. Toodet on väljaõppeta kasutajate käes ohtlikud.

- **Hooldage tooteid ja lisatarvikuid. Kontrollige liikuvate osade joondust ja kinnitusi, osade purunemist või muid toote kasutamist mõjutada võivad tegureid. Kahjustuse korral laske seade enne kasutamist remontida.** Paljude õnnetuste põhjuseks on toote puudulik hooldus.
- **Hoidke lõikevahendid teravad ja puhtad.** Nõuetekohaselt hooldatud teravate lõikeservadega lõikevahendite kinnikiilumise tõenäosus on väiksem ja neid on hõlpsam juhtida.
- **Järgige toote, tarvikute, tööriistaotsakute jm kasutamisel neid juhiseid ning arvestage töötingimuste ja -ülesandega.** Toote kasutamine muuks kui ettenähtud otstarbeks võib põhjustada ohtliku olukorra.
- **Hoidke käepidemed ja haardepinnad kuivad, puhtad ning õli- ja määrdevabad.** Libedate käepidemete ja haardepindade korral ei ole ootamatutes olukordades võimalik toodet ohutult käsitseda ja juhtida.

## Teenus

- **Laske toodet hooldada kvalifitseeritud remonditehnikul, kasutades ainult identseid varuosi.** See tagab toote ohutuse säilimise.
- **Ärge kunagi hooldage kahjustatud akusid.** Akusid võib hooldada üksnes tootja või volitatud teenusepakkuja.

## Akutööriistade kasutamine ja hooldamine

- **Kasutage laadimiseks ainult tootja soovitatud laadijat.** Ühte tüüpi aku laadimiseks sobiv laadija võib koos teist tüüpi akuga kasutades tuleohtu põhjustada.
- **Kasutage toodetega vaid spetsiaalselt neile loodud akusid.** Teisi akukogumeid kasutades riskite vigastuste ja tulekahjuga.
- **Kui aku pole hetkel kasutuses, hoidke seda eemal teistest metall-esemetest (nt kirjaklambrid, mündid, võtmed, naelad, kruvid vms väiksed metall-esemed), mis võiksid akuklemme omavahel ühendada.** Akuklemmide lühistamine võib põhjustada põletushaavu või tulekahju.
- **Väärkasutamise korral võib akut vedelikku lekkida; vältige kokkupuudet.** Kokkupuute korral loputage kannatada saanud kohta veega. Kui vedelik satub silma, loputage silma veega ja pöörduge arsti poole. Akust lekkinud vedelik võib põhjustada ärritust või põletushaavu.
- **Ärge kasutage defektset või muudetud akut või tööriista.** Kahjustatud või muudetud akud võivad käituda ettearvamatu ning põhjustada tule-, plahvatus- või vigastusohtu.
- **Ärge laske akul või tööriistal puutuda kokku tulega või liiga kõrgete temperatuuridega.** Kokkupuude üle 130 °C temperatuuriga võib põhjustada plahvatuset.
- **Järgige kõiki laadimisjuhiseid ja ärge vahetage akut või tööriista temperatuuril, mis jääb väljapoole juhistes kirjeldatud temperatuurivahemikku.** Aku laadimine valesti või väljaspool selleks ettenähtud

temperatuurivahemikku võib akut kahjustada ja suurendada tuleohtu.

## Muruniiduki ohutusalsed hoiatused

- **Ärge kasutage muruniidukit halva ilmaga (eelkõige äikesetorni ajal).** See vähendab pikselöögi ohtu.
- **Kontrollige põhjalikult, kas muruniiduki kasutuskoahas on elusloodust.** Muruniiduk võib töötades elusloodust kahjustada.
- **Kontrollige hoolikalt muruniiduki kasutuskohta ning eemaldage seal kõik kivid, oksad, traadid, luud ja muud vöörihad.** Ohku paiskuvad esemed võivad tekitada kehavigastusi.
- **Enne muruniiduki kasutamist kontrollige alati visuaalselt, et lõiketera, terapolit või terakoost ei oleks kulunud ega kahjustatud.** Kulunud või kahjustatud osad suurendavad kehavigastuse ohtu.
- **Enne kasutamist veenduge, et toitekaabli ja pikendusjuhtmel ei oleks kahjustuste või vananemise märke.** Ärge kasutage muruniidukit, kui selle toitekaabel on kahjustatud või kulunud. Kui kaabel saab kasutamise käigus kahjustada või see kulub, lülitage muruniiduk välja ning ärge puudutage kaablit enne, kui selle toiteallikast lahutate. Kahjustatud toitekaabel või pikendusjuhe võib põhjustada elektrilöögi, tulekahju ja/või raske kehavigastuse.
- **Kontrollige rohukogurit sageli kulumise või kahjustumise suhtes.** Kulunud või kahjustatud rohukogur võib suurendada kehavigastuse ohtu.
- **Hoidke kaitsmed paigaldatuna.** Kaitsmed peavad olema töökorras ja õigesti paigaldatud. Kaitse, mis on lahti tulnud, kahjustunud või ei tööta korralikult, võib tekitada kehavigastusi.
- **Hoidke kõik jahutusõhu sisselaskeavad prahist puhtad.** Blokeeritud õhu sisselaskeavad ja prahst võivad põhjustada ülekuumenemist või tuleohtu.
- **Kandke muruniiduki kasutamisel alati libisemiskindlaid kaitsejalatseid.** Ärge kasutage muruniidukit paljajalu ega lahtiste sandaalidega. See vähendab liikuva lõiketeraga kokkupuutel jalalabade vigastusohtu.
- **Kandke muruniidukiga töötamisel alati pikki pükse.** Katmata naha korral suureneb paiskuvatest esemetest tingitud vigastusoht.
- **Muruniidukit ei tohi kasutada märja muru korral.** Kõndige ja ärge kunagi jookske. See vähendab libisemis- ja kukkumisohtu, mis võib lõppeda kehavigastusega.
- **Ärge kasutage muruniidukit liiga järskuldel kallakutel.** See vähendab kontrolli kaotamise ning libisemis- ja kukkumisohtu, mis võib lõppeda kehavigastusega.
- **Kallakul töötades tagage alati kindel asend, töötage masinaga risti üle kallaku, mitte otse üles või alla, ning olge suuna muutmisel äärmiselt ettevaatlik.** See vähendab kontrolli kaotamise ning libisemis- ja kukkumisohtu, mis võib lõppeda kehavigastusega.
- **Tagurdamisel ja muruniiduki enda poole tõmbamisel olge väga ettevaatlik.** Olge tähelepanelik oma



**Ümbruse suhtes.** See vähendab töötamisel komistamisohu.

- **Hoidke toitekaabel lõiketeradest eemal.** Kahjustatud toitekaabel võib põhjustada elektrilöögi, tulekahju ja/või raske kehavigastuse.
- **Kui kaabel läheb sõlme või saab kahjustada, lülitage masin välja ja eemaldage pistik vooluvõrgust.** Sõlmes või kahjustatud kaablid suurendavad elektrilöögiohtu.
- **Ärge puudutage lõiketerasid ja muid ohtlikke liikuvaid osi, kui need alles liiguvad.** See vähendab liikuvate osade põhjustatud vigastusohu.
- **Kui eemaldate kinnikilunud materjali või puhastate muruniidukit, veenduge, et kõik toitelülitid oleks välja lülitatud ja toitekaabel oleks lahti ühendatud.** Muruniiduki ootamatu tööle hakkamine võib tekitada raske kehavigastuse.

### Rikkevoolukaitse

- Kasutage rikkevoolukaitset, mille rakendusvool on kuni 30 mA.

### Üldised ohutuseeskirjad



**HOIATUS:** Enne toote kasutamist loe läbi järgnevad hoiatused.

- Toode on ohtlik, kui seda kasutada valesti või ettevaatamatult. Ohutuseeskirjade eiramine võib põhjustada kehavigastuse või surma.
- Toode tekitab töötades elektromagnetvälja. Teatud tingimustel võib väli häirida aktiivsete või passiivsete meditsiiniliste implantaatide tööd. Raskete või surmaga lõppevate kehavigastuste ohu vähendamiseks soovitameme meditsiinilisi implantaate kasutataval inimestel pidada enne selle seadme kasutamist nõu oma arsti ja implantaadi valmistajaga.
- Olge alati ettevaatlik ja toimige arukalt. Kui te pole kindel, kuidas toodet eriolukorras kasutada, lõpetage töö ja pidage enne jätkamist nõu Husqvarna edasimüüjaga.
- Arvestage, et teiste isikute ja nende varaga seotud õnnetuste korral kannab vastutust seadme kasutaja.
- Hoidke toode puhas. Veenduge, et märgid ja tähised oleksid selgelt loetavad.
- Ärge kunagi lubage lastel või nende juhustega mittetutvunud inimestel seadet kasutada. Kohalikud kehtivad eeskirjad võivad piirata kasutaja lubatud vanust.
- Kui toodet kasutab piiratud füüsiliste või vaimsete võimetega isik, peab ta olema kogu aeg järelevalve all. Vastutusvõimeline täiskasvanu peab kogu aeg kasutaja juures viibima.
- Ärge kasutage toodet, kui olete väsinud, haige või taritanud alkoholi, narkootikume või ravimeid. Sellel on negatiivne mõju teie nägemisele, tähelepanuvõimele, liikumisele ja otsustamisvõimele.

- Ärge kasutage toodet, kui see on kahjustatud.
- Ärge muutke toodet ega kasutage seda, kui keegi teine võib olla seda muutnud.

### Tööohutus

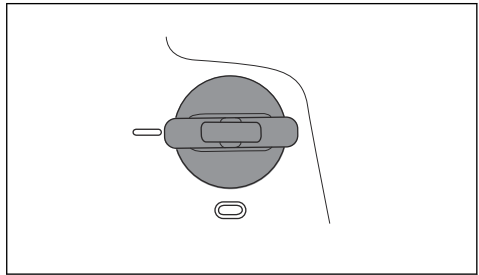


**HOIATUS:** Enne toote kasutamist loe läbi järgnevad hoiatused.

- Kasutage seda toodet ainult muru niitmiseks. Muude toimingute tegemiseks toodet kasutada ei tohi.
- Kasuta isikukaitsevahendeid. Vt jaotist *Isikukaitsevahendid lk 190*.
- Veenduge, et teate, kuidas hädaolukorras mootorit kiiresti seisata.
- Toodet ei tohi kasutada vihma käes või märjas keskkonnas. Toote sisse pääsenud vesi suurendab elektrilöögi ohtu.
- Ärge kasutage toodet enne, kui lõiketera ja katted on õigesti kinnitatud. Valesti kinnitatud lõiketera võib lahti tulla ja inimesi vigastada.
- Veenduge, et lõiketera ei puutuks kokku esemetega (nt kivide ja juurtega). See võib lõiketera kahjustada ja põhjustada mootori võlli väändumist. Paindega telg põhjustab tugevat vibratsiooni ja suurt lõiketera lahtitulemise ohtu.
- Kui lõiketera puutub kokku mõne esemega või esineb vibratsioon, peatage toode viivitamatult. Seisake mootor, keerake ohutusüliti asendisse 0 ja eemaldage aku. Oodake, kuni liikuvad osad peatuvad. Kontrollige toodet kahjustuste suhtes. Kinnitage lahtised osad korralikult. Parandage kahjustused ja asendage kahjustatud osad. Laske parandustöid teha volitatud hooldustöökojas.
- Kui mootor töötab, ärge kinnitage kunagi mootori pidurikäepidet püsivalt käepideme külge.
- Asetage toode stabiilsele ja tasasele pinnale ning käivitage see. Veenduge, et lõiketera ei puutuks vastu maad ega muid esemeid.
- Olge toote kasutamisel alati toote taga.
- Toote kasutamisel hoidke mõlema käega käepidemest ja kõik toote rattad maas. Hoida käed ja jalad pöörlevatest teradest eemal.
- Vältige mootori käivitamist või toote kasutamist toote kallutamist.
- Olge toote tagasisuunas tõmbamisel ettevaatlik.
- Kui mootor on käivitatud, ärge tõstke toodet. Kui teil on vaja toode üles tõsta, seisake esmalt mootor, keerake ohutusüliti asendisse 0 ja eemaldage aku.
- Ärge kõndige toote kasutamise ajal tagurpidi.
- Seisake mootor, kui toodet on vaja transportimiseks kallutada või kui peate ületama ilma muruta ala, näiteks kruusa-, kivi- või asfalttee.
- Ärge lüüake toodet joostes, kui mootor on käivitatud. Toode kasutamise ajal kõndige.
- Enne lõikamiskõrguse muutmist seisake mootor. Ärge kunagi tehke reguleerimisi, kui mootor töötab.

- Ärge laske toodet silmist, kui mootor töötab. Seisake mootor ja veenduge, et löikeosa ei pöörleks.
- Toote kasutamise ajal esinev vibratsioon võib jaotises *Tehnilised andmed lk 204* esitatud vibratsiooniväärtusest erineda. Erinevus tuleneb toote erinevatest kasutusviisidest. Kui kasutate toodet sageli või kaua aega, tehke regulaarselt pause, et vältida vibratsioonist tingitud vigastusi.

- Kui ohutuslüli on töökorras, siis käivitub mootor üksnes ohutuslüli keeramisel asendisse 1.



## Ohutusjuhised kasutamisel

### Isikukaitsevahendid



**HOIATUS:** Enne toote kasutamist loe läbi järgnevad hoiatused.

- Isikukaitsevarustus ei välista täielikult kehavigastuste ohtu, kuid vähendab õnnetusjuhtumi korral kehavigastuste raskusastet. Õige varustuse valimiseks pöörduge edasimüüja poole.
- Kandke vastupidavaid saapaid või jalatseid, mis on libisemiskindlad. Ärge kandke avatud jalatseid ega olge paljajalu.
- Kandke tugevaid pikki pükse.
- Vajaduse korral kandke kaitsekindaid, näiteks löikeosa kinnitades, kontrollides või puhastades.
- Soovitame kasutada kuulmiskaitset.

### Toote ohutusseadised



**HOIATUS:** Enne toote kasutamist loe läbi järgnevad hoiatused.

- Ärge kunagi kasutage seadet, kui selle ohutusseadised on defektsed.
- Ärge eemaldage ohutusseadmeid ega tehke neile muudatusi.
- Kontrollige ohutusseadiseid regulaarselt. Kui ohutusseadised on defektsed, pöörduge Husqvarna hooldustöökotta.

### Löikeosa katte kontrollimine

Löikeosa kate vähendab toote vibratsiooni ja löiketerast tingitud vigastuste ohtu.

- Kontrollige löikeosa kahjustuste (nt pragude) suhtes.

### Ohutuslüli kontrollimine

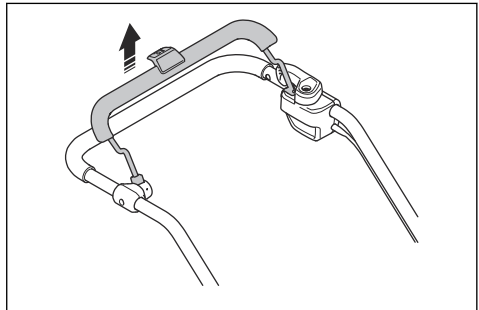
Ohutuslüli asub akukaane all. Ohutuslüli abil ühendatakse aku, mis varustab mootori toitega.

- Ohutuslüli kontrollimiseks käivitage ja seisake mootor.

### Mootori pidurikäepideme kontrollimine

Mootori pidurikäepideme abil saab mootori seisata. Mootori pidurikäepideme vabastamisel mootor seiskub.

- Käivitage seade. Vt jaotist *Töö lk 193*.
- Vabasta mootori pidurikäepideme.

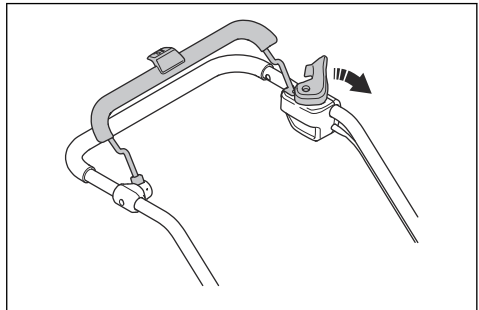


- Veendu, et toode on seiskunud. Kui mootor kolme sekundi jooksul ei seisku, laske mootoripidurit Husqvarna volitatud hooldustöökogas reguleerida.

### Käivitustõkesti kontrollimine

Kontrollige, kas käivitustõkesti takistab mootori tööd.

1. Lükake mootori pidurikäepidet juhtraua suunas. Käivitustõkesti peatab liikumise.
2. Lükake käivitustõkesti välja.



3. Laske käivitustõkesti lahti ja veenduge, et see läheks tagasi lähteasendisse.

## Aku ohutus

---



**HOIATUS:** Enne toote kasutamist loe läbi järgnevad hoiatused.

- Kasutage seotud Husqvarna toodete toiteallikana alati üksnes Husqvarna taastlaetavaid akusid. Kehavigastuse vältimiseks ära kasuta akut muude seadmete toiteallikana.
- Ärge kasutage mittetaastlaetavaid akusid.
- Elektrilöögioht! Ärge ühendage akuklemme võtmete, müntide, kruvide või muude metalletemetega. See võib tekitada akus lühise.
- Ärge asetage esemeid aku õhuavade sisse ja ette.
- Välti aku kokkupuudet otsese päikesevalguse, kuumuse ja lahtise leegiga. Aku võib plahvatada ja põhjustada põletusi ja/või keemilisi põletusi.
- Vältige aku kokkupuudet vihma ja märja keskkonnaga.
- Vältige aku kokkupuudet mikrolainete ja kõrgsurvega.
- Ärge demonteerige ega lõhkuge akut.
- Aku lekke korral vältige vedeliku kokkupuudet keha ja silmadega. Kui vedelik satub kehale, puhastage kokkupuutunud ala rohke veega ja seejärel pöörduge arsti poole.
- Kasutage toote akut üksnes juhul, kui õhutemperatuur on vahemikus 5 °C kuni 40 °C.
- Kasutage akulaadijat üksnes juhul, kui õhutemperatuur on vahemikus 5 °C kuni 40 °C.
- Akut ei laeta, kui aku temperatuur on üle 50 °C.
- Ärge puhastage akut või akulaadijat veega. Vt jaotist *Aku ja akulaadija puhastamine lk 200*.
- Ärge kasutage defektset või kahjustatud akut.
- Ladustage akusid metalletemetest (nt naelad, mündid, ehted) eemal.

## Akulaadija ohutus

---



**HOIATUS:** Enne toote kasutamist loe läbi järgnevad hoiatused.

- Kasutage Husqvarna asendusakude laadimiseks ainult QC akulaadijaid.
- Elektrilöögi ja lühise oht. Ärge asetage esemeid laadija õhuavade sisse ja ette. Ärge püüdke akulaadijat lahti monteerida. Ärge ühendage laadija klemme metalletemete külge. Kasutage heakskiidetud võrgupistikupesast.
- Toode tekitab töötades elektromagnetvälja. Teatud tingimustel võib väli häirida aktiivsete või passiivsete meditsiiniliste implantaatide tööd. Raskete või surmaga lõppevate kahjustuste ohtu vähendamiseks soovitage meditsiinilisi implantaate kasutavatel inimestel pidada enne selle toote kasutamist nõu oma arsti ja implantaadi valmistajaga.

- Kontrollige regulaarselt, kas akulaadija toitejuhe on kahjustada saanud ja kas sellel on pragusid.
- Ärge tõstke akulaadijat toitejuhtmes hoides. Akulaadija võrgupistikupesast lahutamiseks tõmmake pistikut. Ära tõmba toitejuhet.
- Vältige toitejuhtme ja pikendusjuhtme kokkupuudet vee, õli ja teravate servadega. Jälgi, et juhe ei jääks uste, väravate jms vahele. See võib põhjustada laadija sattumise pingele alla.
- Ärge puhastage akulaadijat veega.
- Akulaadijat võivad kasutada lapsed alates 8. eluaastast ja isikud, kellel on vähenenud füüsilised, sensoorsed või vaimsed võimed või puudulikud teadmised ja kogemused, kui neid jälgib või juhendab vastutav isik, kes tagab, et nad kasutavad akulaadijat ohutult ning mõistavad seotud ohtusid. Lapsed ei tohi akulaadijaga mängida. Lapsed ei tohi seadet ilma järelevalveta puhastada ega hooldada.
- Ärge laadige akulaadijas mittelaeatavaid akusid.
- Ärge kasutage akulaadijat tuleohtlike või korrosiooni tekitavate materjalide läheduses. Ärge katke akulaadijat. Suitsu või tule tekke korral eemaldage pistik akulaadijast.
- Ärge kunagi kasutage defektset või kahjustunud akulaadijat.
- Laadige akut ainult hea õhuvahetusega siseruumis ja päikesevalguse eest kaitstuna. Ärge laadige akut märjas keskkonnas.

## Ohutusjuhised hooldamisel

---



**HOIATUS:** Enne toote kasutamist loe läbi järgnevad hoiatused.

- Hooldustööde ajal juhusliku käivitumise vältimiseks keerake ohutusüliti asendisse 0 ja eemaldage aku. Enne hooldustööde alustamist oodake vähemalt ühis sekundit.
- Hooldage toodet ainult selle kasutusjuhendi järgi. Põhjalikumad ja keerukamad tööd laske teha volitatud hooldustöökojas. Lisateavet küsige lähimast hooldustöökojast.
- Toote kasutusea tõstmiseks ja õnnetuste ohtu vähendamiseks tehke kõik hooldustööd korrektselt.
- Asendage kahjustatud, kulunud ja katkised osad. Kasutage alati tootja originaalvaruosi. Muud varuosad võivad toodet kahjustada ja suurendada õnnetuste ohtu.
- Vigastuste vältimiseks ärge eemaldage ohutusseadmeid ega tehke neile muudatusi.
- Lõikeosa käsitsedes kandke alati tugevaid kindaid. Lõiketera on väga terav ja võib kergesti põhjustada lõikevigastusi.
- Parima ja ohutuima töö tagamiseks hoidke lõikeservad teravana ja puhtana.
- Laske hooldustöökojas toodet korrapäraselt kontrollida ning teha vajalikke seadistamisi ja parandusi.

- Järgige tarvikute vahetamise juhiseid. Kasutage ainult tootja valmistatud tarvikuid.
- Kui toodet ei kasutata, eraldage toode, aku ja akulaadija ning hoidke neid kuivas ja lukustatud

siseruumis. Veenduge, et lastel ja ilma vastava volitusega kõrvalistel isikutel puuduks juurdepääs tootele, akule ja akulaadijale.

## Kokkupanek

### Sissejuhatus



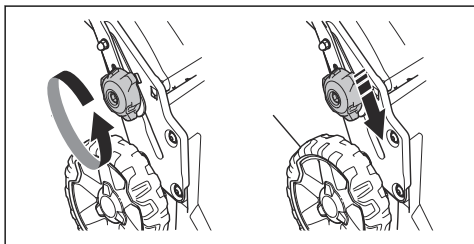
**HOIATUS:** Enne toote kokkupanemist lugege läbi ohutust puudutav peatükk.



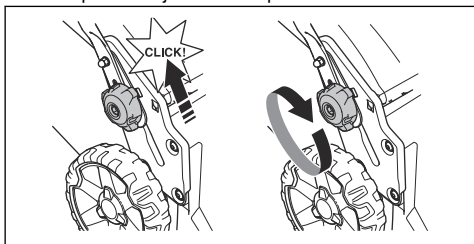
**HOIATUS:** Kokkupanemise ajal juhusliku käivitumise vältimiseks keerake ohutuslülitit asendisse 0, eemaldage aku ja oodake vähemalt viis sekundit.

### Käepideme reguleerimine

1. Keerake alumised hoovad lahti.
2. Liigutage nupud toote vasakul ja paremal küljel olevatesse soonetesse.



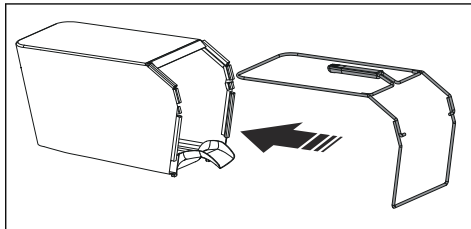
3. Reguleerige käepideme kõrgus ühte kahest võimalikust asendist.
4. Liigutage nuppusid üles käepideme suunas, kuni need peatuvad ja kostub klõpsatus.



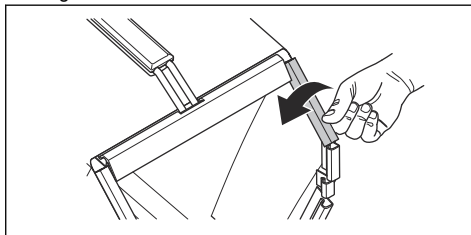
5. Keerake nupud korralikult kinni.

### Rohukoguri kokkupanek

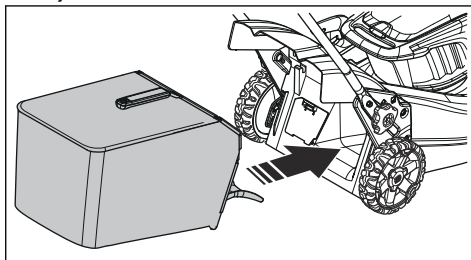
1. Kinnitage rohukoguri raam rohukoti külge nii, et koti jääk osa jääb põhja. Hoidke raami käepidet rohukoti peal.



2. Kinnitage rohukoguri raami alumine osa rohukoguri allosas asuvasse soonde.
3. Kinnitage rohukoti klambritega rohukoguri raami külge.



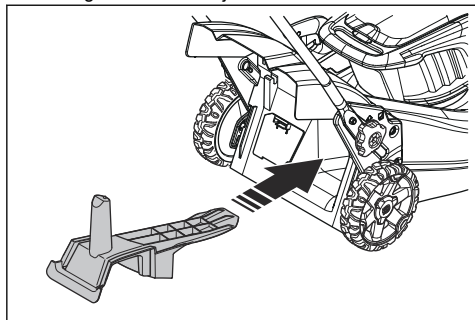
4. Kergitage tagakaant.
5. Kinnitage rohukoguri raami ülaservale.
6. Asetage rohukoguri alaosa muru väljaviskekanalisse.



### Multšikorgi (lisatarvik) kokkupanek

1. Kergitage tagakaant ja eemaldage rohukogur.

2. Asetage multšikork väljaviskekanalisse.



3. Asendage löiketera multšimikomplektis oleva multšimisteraga. Vt jaotist *Löiketera vahetamine lk 200*.

## Töö

### Sissejuhatus



**HOIATUS:** Enne seadme kasutamist lugege põhjalikult läbi ohutust puudutav jaotis.

### Husqvarna Connect

Husqvarna Connect on mobiilsideseadmetele mõeldud tasuta rakendus. Rakendus Husqvarna Connect annab teie Husqvarna tootele lisafunktsionaalsuse:

- Täiendav tooteave.
- Toote osade ja hoolduse alane teave ja abi.

### Toote Husqvarna Connect kasutamise alustamine

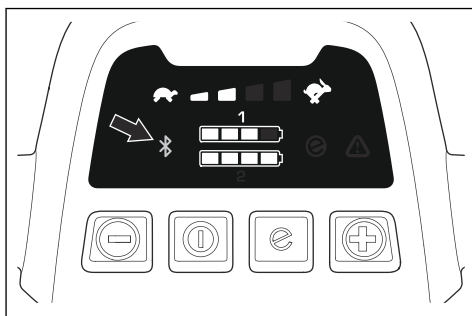
1. Laadi rakendus Husqvarna Connect oma mobiilsideseadmesse.
2. Registreeruge Husqvarna Connect rakenduses.
3. Toote ühendamiseks ja registreerimiseks järgige Husqvarna Connect rakenduse juhiseid.

**Märkus:** Kõigis riikides ei saa rakendust Husqvarna Connect alla laadida. Lisateabe saamiseks võta ühendust hooldusesindajaga.

### Bluetooth®-i teave (LC 347iVX, LC 353iVX)

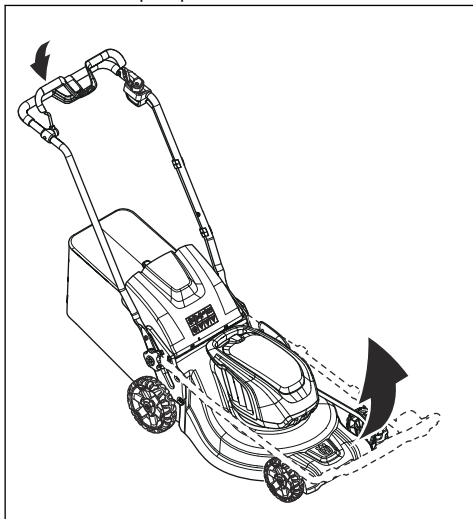
#### Juhtmeta Bluetooth®-tehnoloogia

Juhtmeta *Bluetooth*®-tehnoloogia sümbol süttib, kui tootega on ühenduse loonud teie mobiilseade.

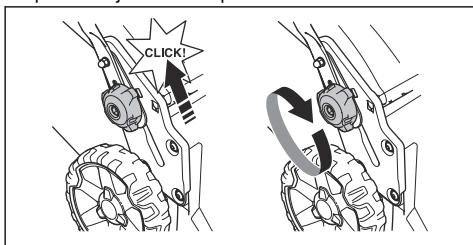


## Toote seadmine tööasendisse

1. Pöörake käepide püstasendisse.



2. Liiguta nuppsid üles käepideme suunas, kuni need peatuvad ja kostub klõpsatus.



3. Keera nupud korralikult kinni.



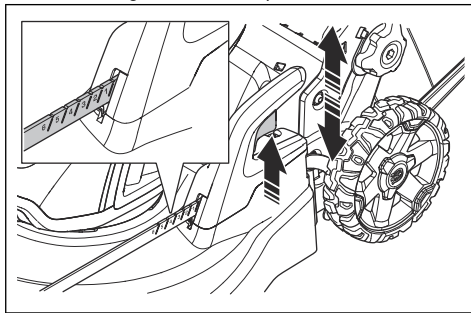
**HOIATUS:** Kasutage toodet ainult juhul, kui käepide on täiesti üles liigutatud ja ühte kõrguse asendisse seatud. Vt jaotist *Käepideme reguleerimine lk 192*.

## Lõikamiskõrguse reguleerimine

Lõikamiskõrgust saab seadistada kuuete erinevate kõrgusele.

1. Lõikamiskõrguse vähendamiseks tõmmake lõikamiskõrguse hooba ülispoole.

2. Lõikamiskõrguse suurendamiseks lükake lõikamiskõrguse hooba ülispoole.



**ETTEVAATUST:** Ärge seadistage lõikamiskõrgust liiga madalaks. Kui muru pole tasane, võivad lõiketerad puutuda vastu maad.

## Aku



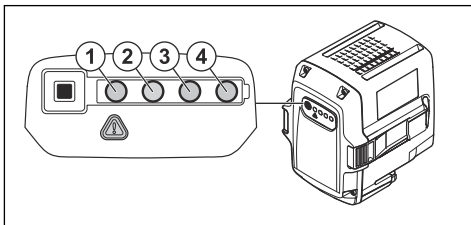
**HOIATUS:** Enne aku kasutamist lugege läbi ohutust puudutav jaotis ja veenduge, et oleksite kõigest aru saanud. Samuti tuleb läbi lugeda aku ja akulaadija kasutusjuhend ning veenduda, et kogu teave on arusaadav.

Hoidke akut ja akulaadijat õigel õhutemperatuuril.

	Õhutemperatuur
Aku kasutamine	5 °C kuni 40 °C
Aku laadimine	5 °C kuni 40 °C

## Aku olek

Ekraanil kuvatakse aku järelejäänud mahtuvus ja akuga seotud mis tahes probleemid. Aku mahtuvus kuvatakse viie sekundi jooksul pärast seadme väljalülitamist või akunäidiku nupu vajutamisel. Akul olev hoiatussümbol süttib tõrke ilmnemisel. Vt jaotist *Aku lk 201*.



LED-tuled	Aku olek
Kõik LED-tuled põlevad	Täis (75–100%).

LED-tuled	Aku olek
LED 1, LED 2, LED 3 põlevad	Aku on laetud 50–75%
LED 1, LED 2 põlevad	Aku on laetud 25–50%
LED 1 põleb	Aku on laetud 0–25%
LED 1 vilgub	Aku on tühi. Laadige akut.

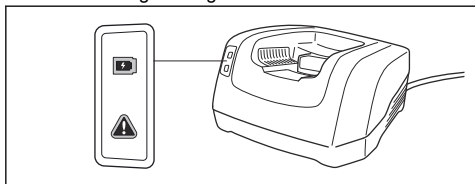
## Aku laadimine

Enne esimest kasutuskorda laadige aku täis. Kliendile tarnimisel on aku laetud üksnes 30% ulatuses.

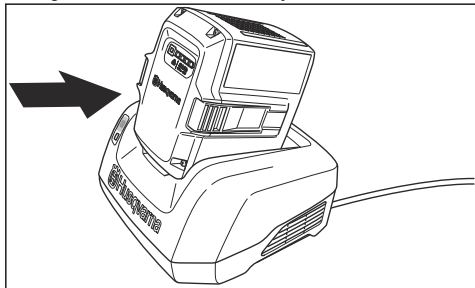
**Märkus:** Akulaadija tuleb ühendada tüübisildil näidatud pinge ja sagedusega võrku.

Aku laadimist ei toimu, kui aku temperatuur on üle 50 °C. Enne laadimise alustamist langetab akulaadija aku temperatuuri vajalikule tasemele.

1. Ühendage akulaadija toitejuhtme üks ots akulaadija pesasse.
2. Ühendage akulaadija toitejuhtme teine ots maandatud võrgupistikupesasse. Akulaadijal olev roheline märgutuli vilgub üks kord.



3. Asetage aku akulaadijasse. Kui aku on akulaadijaga õigesti ühendatud, süttib laadijal roheline tuli.



4. Kui aku kõik märgutuled põlevad, on aku täis. Ärge laadige akut kauem kui 24 tundi.
5. Akulaadija toitejuhtme võrgupistikupesast lahutamisel tõmmake pistikust, mitte juhtmest.
6. Eemaldage aku laadijast.

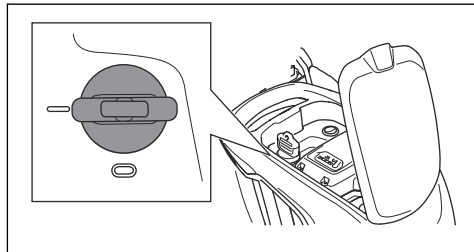
## Aku laadimisolek

Husqvarna Liitium-ioonakut saab laadida ja kasutada kõikidel laadimistasemetel. Aku ei ole kahjustunud. Täis laetud aku ei tühjene, kui aku laadijasse jätta.

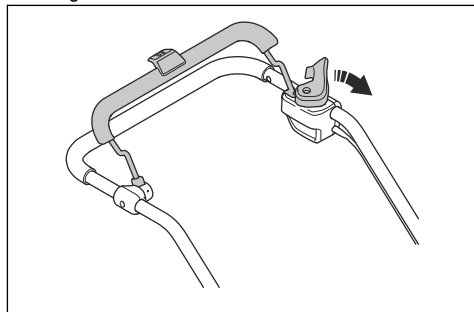
LED-näidik	Laadimisolek
LED 1 vilgub	0–25%
LED 1 põleb, LED 2 vilgub	25–50%
LED 1, LED 2 põlevad, LED 3 vilgub	50–75%
LED 1, LED 2, LED 3 põlevad, LED 4 vilgub	75–100%
LED 1, LED 2, LED 3, LED 4 põlevad	Täielikult laetud

## Toote käivitamine (LC 247i)

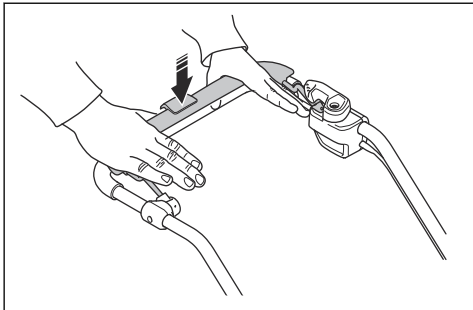
1. Avage akukaas.
2. Asetage laetud aku ühte akuhoidikusse. Tööea pikendamiseks asetage teise akuhoidikusse teine laetud aku.
3. Keerake ohutuslüüti asendisse 1.



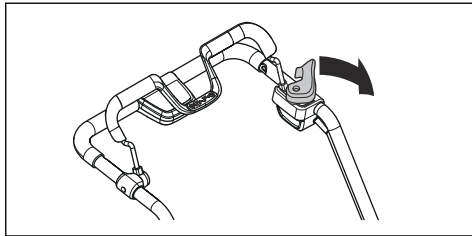
4. Olge toote taga.
5. Avage käivitustõkesti.



6. Lükake mootori pidurikäepidet juhtraua suunas.

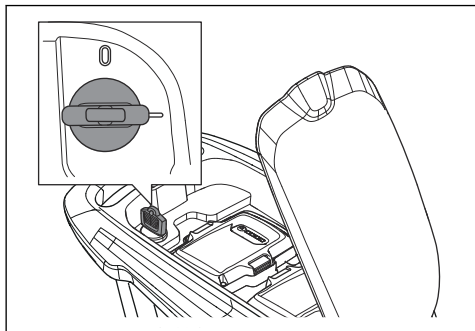


6. Avage käivitustökesti.

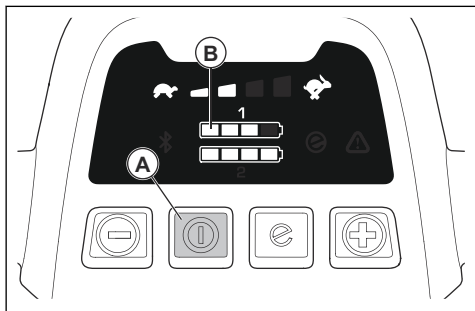


## Toote käivitamine (LC 347iVX, LC 353iVX)

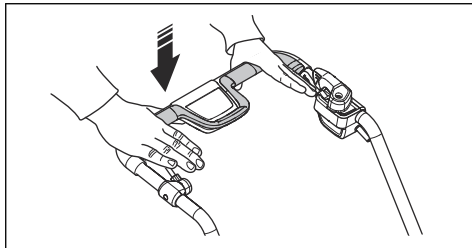
1. Avage akukaas.
2. Asetage laetud aku ühte akuhoidikusse. Tööea pikendamiseks asetage teise akuhoidikusse teine laetud aku.
3. Keerake ohutuslüli asendisse 1.



4. Olge toote taga.
5. Vajutage juhtimispaneelil sisse- ja väljalülitusnuppu (A). Ekraan lülitub sisse. Akunäidikul (B) on kuvatud 2 aku laetuse tase. Töötavat akut tähistav number on kuvatud akunäidiku kõrval. Mudelite LC 347iVX, LC 353iVX puhul on ekraanil kuvatud ka määratud kiirus.

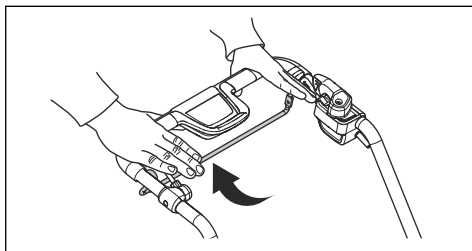


7. Lükake mootori pidurikäepidet juhtraua suunas.

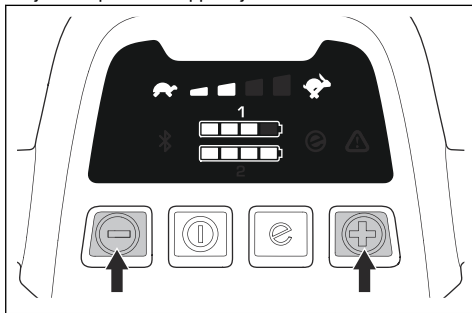


## Veo kasutamine ratastel LC 347iVX, LC 353iVX

- Veo alustamiseks tõmmake veo käepidet juhtraua suunas.



- Veokiiruse määramiseks neljas astmes vajutage juhtimispaneelil nuppe + ja -.



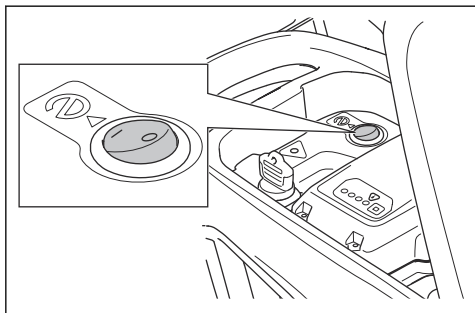
- Veo vabastamiseks vabastage veo käepide näiteks siis, kui läheneate takistusele.



## Funktsiooni SavE™ kasutamine (LC 247i)

Toode on varustatud akusäästufunktsiooniga (SavE™), mis pikendab aku tööiga.

- Funktsiooni käivitamiseks lükka nupp SavE™ asendisse 1.



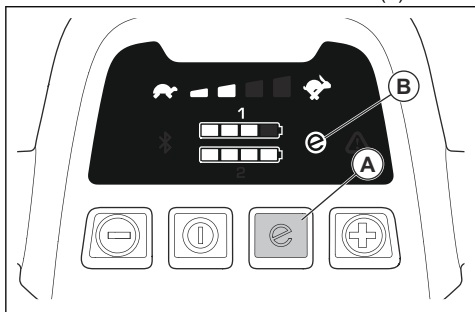
- Funktsiooni seiskamiseks lükka nupp SavE™ asendisse 0.

**Märkus:** Funktsioon SavE™ seiskub automaatselt, kui pinnaolud nõuavad suuremat väljundit. Funktsioon SavE™ käivitub automaatselt uuesti, kui pinnaolud seda võimaldavad.

## Funktsiooni SavE™ kasutamine (LC 347iVX, LC 353iVX)

Toode on varustatud akusäästufunktsiooniga (SavE™), mis pikendab aku tööiga.

1. Funktsiooni käivitamiseks vajutage nuppu SavE™ (A). Ekraanil süttib SavE™ sümbol (B).
2. Funktsiooni peatamiseks vajutage uuesti nuppu SavE™. Ekraanil kuvatud SavE™ sümbol (B) kustub.



**Märkus:** Kui maapinna tingimused nõuavad suuremat võimsust, seiskub SavE™ funktsioon automaatselt. Kui maapinna tingimused seda lubavad, käivitub SavE™ funktsioon automaatselt uuesti.

## Suure koormuse funktsioon

Kui seade niidab märga või pikka rohtu, suureneb mootori pöörete arv minutis automaatselt. Kui koormus langeb, lülitub mootor automaatselt tagasi tavarežiimile.

## Automaatne taaskäivitamine

Kasutamise ajal võivad löikeketera ja mootor takistuste tõttu ajutiselt seiskuda, näiteks kui löikekorpuse all tekib muruummistus. Kui sellisel juhul hoiate mootori pidurikäepidet allavajutatuna, proovib toode automaatselt taaskäivituda. Kui toode viie sekundi jooksul ei käivitu, võib olla vaja löikekorpuse alune puhastada. Vt jaotist *Toote puhastamine lk 199*.



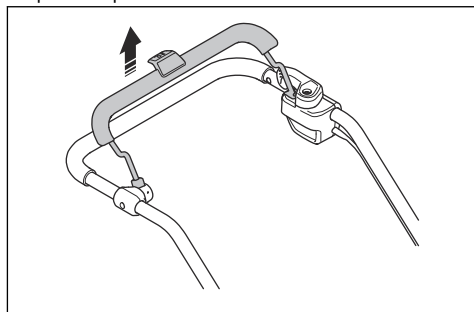
**HOIATUS:** Enne löikekorpuse kontrollimist vabastage mootori pidurikäepide, keerake ohutuslüli asendisse 0, oodake vähemalt viis sekundit. Takistuse eemaldamise ja toote ootamatu käivitumise korral esineb vigastusohht.

## (LC 247i) toote seiskamine

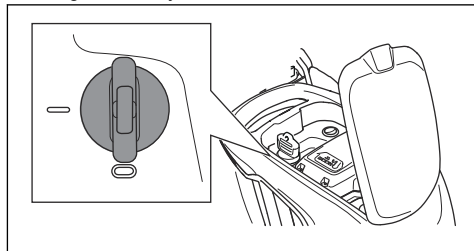


**HOIATUS:** Keera ohutuslüli asendisse 0, enne kui lasete tootel eemale liikuda.

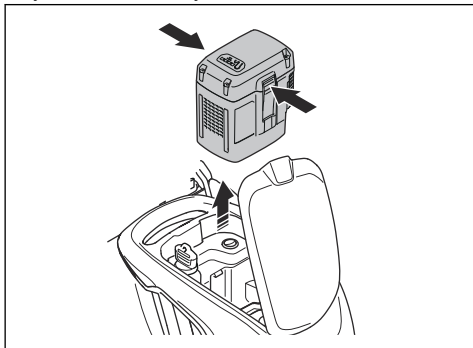
1. Mootori seiskamiseks vabastage mootori pidurikäepide.



2. Avage akukaas ja keerake ohutuslüli asendisse 0.



3. Aku eemaldamiseks vajutage kahte vabastusnuppu ja tõmmake aku välja.



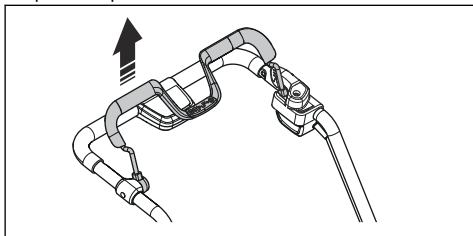
4. Laadige akut, kui see on tühjenenud. Lisateavet vt *Aku laadimine lk 195.*

## (LC 347IVX, LC 353IVX) toote seiskamine

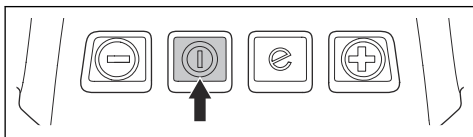


**HOIATUS:** Keera ohutuslüüti asendisse 0, enne kui lasete tootel eemale liikuda.

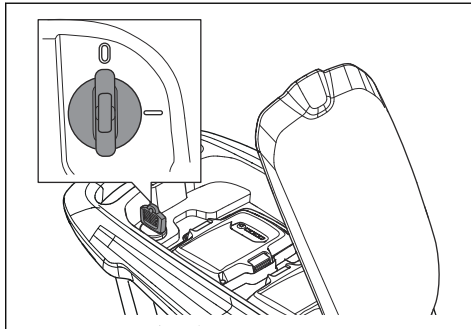
1. Mootori seiskamiseks vabastage mootori pidurikäepide.



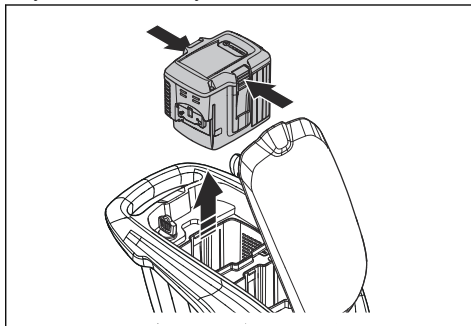
2. Vajutage juhtimispaneelil sisse- ja väljalülitusnuppu. Kõik põlevad LED-tuled ja ekraanil kuvatud sümbolid kustuvad.



3. Avage akukaas ja keerake ohutuslüüti asendisse 0.



4. Aku eemaldamiseks vajutage kahte vabastusnuppu ja tõmmake aku välja.



5. Laadige akut, kui see on tühjenenud. Lisateavet vt *Aku laadimine lk 195.*

**Märkus:** Kui seadet teatud minutite jooksul ei kasutata, seiskub see automaatselt. Toote uuesti käivitamiseks vt jaotist *Toote käivitamine (LC 347IVX, LC 353IVX) lk 196.*

## Hea tulemuse saavutamiseks

- Kasutage vahedat lõiketera. Nüri tera annab ebaühtlase tulemuse ja muru lõigatud osa muutub kollaseks. Terav lõiketera on nüri teraga võrreldes energiasäästlikum.
- Lõigake kuni pool muru pikkusest. Niitke kõigepealt kõrgele reguleeritud lõikamiskõrgusega. Vaadake tulemust ja seadistage lõikamiskõrgus soovitud madalamale tasemele. Kui muru on väga pikk, sõitke aeglaselt ja vajadusel niitke kaks korda.
- Niitke iga kord erinevas suunas, et ära hoida triipude tekkimist murule.
- Hoidke lõikamiskatte puhtana. Lõikamiskatte siseküljele kogunevad rohujäägid ja mustus võivad lõikamise tõhusust vähendada. Vt jaotist *Toote puhastamine lk 199.*

## Muru niitmine ilma paigaldatud rohukoguri või multšikorgita.

- Kergitage tagakaant ja eemaldage rohukogur.

- Kui seadmele on paigaldatud multšikork ja multšimistera, eemaldage need.
- Enne seadme kasutamist sulgege tagumine kate.

Seadme töötamise ajal väljub lõigatud rohi tagumise katte alt.

## Hooldamine

### Sissejuhatus

Lisateavet vt [www.husqvarna.com](http://www.husqvarna.com).



**HOIATUS:** Enne seadme hooldamist lugege põhjalikult läbi ohutust puudutav peatükk.

Seadme hooldamiseks ja remontimiseks on vaja erioskusi. Tagame asjatundliku remondi- ja hooldustöö. Kui edasimüüjal, kellelt toote ostsite, pole hooldustöökoda, küsige neilt teavet lähima hooldustöökoja kohta.

### Hoolduskeem

Hooldusintervallide arvutamisel on aluseks võetud toote igapäevane kasutamine. Intervallid muutuvad, kui toodet igapäevaselt ei kasutata.

Tärniga (\*) tähistatud hooldustööde kohta leiate juhised peatükist *Ohutus lk 186*.

	Igal kasutuskorral	Üks kord kuus	Igal aastajal
Üldkontrolli läbiviimine	X		
Toote puhastamine	X		
Kontrollige käivitustökestit *	X		
Veenduge, et toote ohutusseadistel poleks defekte *	X		
Lõikeosa kontrollimine	X		
Kontrollige lõikekatet *	X		
Kontrollige mootori pidurikäepidet *	X		
Veenduge, et ON/OFF nupp töötaks korralikult ja sellel poleks defekte	X		
Veenduge, et akul poleks kahjustusi	X		
Kontrollige aku laetust	X		
Veenduge, et aku vabastusnupud töötaksid korralikult ning et aku lukustuks kindlalt seadme külge	X		
Veenduge, et akulaadijal poleks kahjustusi ja et see töötaks korrektselt		X	
Kontrollige aku ja seadme vahelisi ühendusi. Samuti kontrollige aku ja akulaadija vahelisi ühendusi.			X

### Üldkontrolli läbiviimine

- Veenduge, et toote mutrid ja kruvid oleksid pingutatud.
- Veenduge, et toote juhtmed ei oleks sellises asendis, kus need võiksid kahjustada saada.

- Ärge puhastage seadet veega. Vesi võib pääseda aku või mootori sisse ja põhjustada lühise või kahjustada toodet.
- Ärge kasutage seadme puhastamiseks survespesurit.
- Ärge valage vett otse mootorile.
- Eemaldage lehed, muru ja pori harja abil.

### Toote puhastamine

- Puhastage plastosi puhta ja kuiva lapiga.

## Aku ja akulaadija puhastamine



**HOIATUS:** Ärge puhastage akut või akulaadijat veega.

- Enne aku asetamist akulaadijasse veenduge, et aku ja akulaadija oleksid puhtad ja kuivad.
- Puhastage akuklemmid suruõhu või pehme ja kuiva riidelapiga.
- Puhastage aku ja akulaadija väliispead pehme ja kuiva riidelapiga.

## Lõikeosa kontrollimine



**HOIATUS:** Juhusliku käivitumise vältimiseks keerake ohutuslüli asendisse 0, eemaldage aku ja oodake vähemalt viis sekundit.



**HOIATUS:** Lõikeosa hooldamisel kandke kaitsekindaid. Lõiketera on väga terav ja võib kergesti põhjustada lõikevigastusi.

1. Kontrollige lõikeosa kahjustuste ja mõrade suhtes. Kahjustatud lõikeosa tuleb alati välja vahetada.
2. Kontrollige, kas lõiketera on kahjustatud või nüri.

**Märkus:** Teritamise järel tuleb lõiketera tasakaalustada. Lõiketera teritamine, asendamine ja tasakaalustamine usaldage hooldustehnikule. Kui toode pörkub vastu eset, mis põhjustab toote seiskumise, vahetage välja kahjustatud lõiketera. Laske hoolduskeskuses hinnata, kas tera saab teritada või tuleb see välja vahetada.

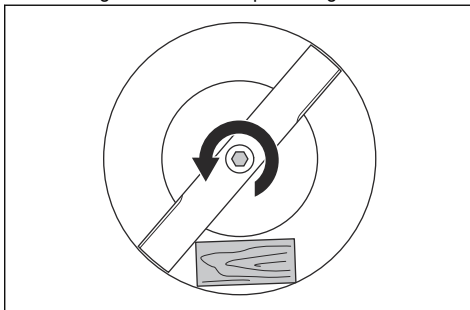
## Lõiketera vahetamine

Vt teavet õiget tüüpi lõiketera kohta jaotisest *Tehnilised andmed lk 204*.

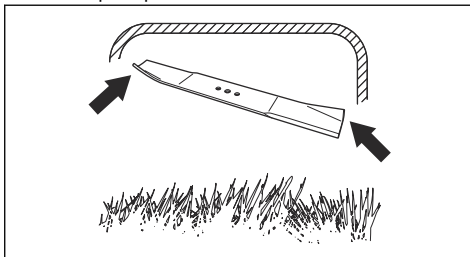


**HOIATUS:** Lukustage lõiketera mõne puuklotsiga, et vältida lõiketera vahetamisel sõrmede vigastamist. Lõiketera võib liikuda, kui mootor on välja lülitatud, ning sõrmed võivad lõiketera ja liikumatute osade vahele jääda.

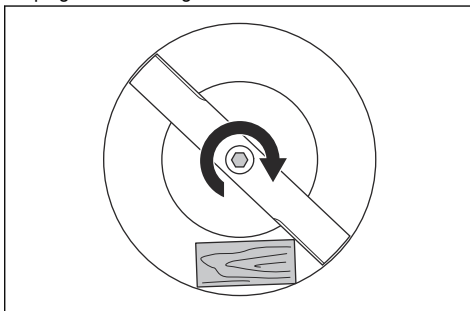
1. Lukustage lõiketera mõne puuklotsiga.



2. Eemaldage lõiketera polt.
3. Eemaldage lõiketera.
4. Eemaldage lõiketera tugi ja polt ning kontrollige, kas esineb kahjustusi.
5. Kontrollige mootori võlli ja veenduge, et see poleks väärdunud.
6. Uue lõiketera kinnitamisel suunake nurksed otsad lõikekorpuse poole.



7. Veenduge, et lõiketera ja mootori võlli kese oleksid kohakuti.
8. Lukustage lõiketera mõne puuklotsiga. Kinnitage vedruseib ning pingutage polti ja seibi pingutusmomendiga 23–28 Nm.



9. Keerake tera käega, veendumaks, et see pöörleb vabalt.



**HOIATUS:** Kasutage tugevaid kindaid. Lõiketera on väga terav ja võib kergesti põhjustada lõikevigastusi.

10. Tera katsetamiseks käivitage toode. Kui tera on valesti kinnitatud, siis toode vibreerib ja niitmistulemus pole rahuldav.

## Veotsing

### Aku

Aku LED-tuli	Põhjus	Lahendus
Roheline LED-tuli vilgub.	Aku pinget on madal.	Laadige aku. Vt jaotist <i>Aku laadimine lk 195</i> .
Tõrke LED-tuli vilgub	Aku on tühjenenud.	Laadige aku. Vt jaotist <i>Aku laadimine lk 195</i> .
	Töökeskkonna temperatuur on liiga kõrge või liiga madal.	Kasutage akut keskkonnas, kus õhutemperatuur jääb vahemikku 5 °C kuni 40 °C.
	Ülepinge.	Veendu, et toiteallika võrgupinge vastaks toote mudeli etiketil märgitule.  Eemalda aku laadijast. Oodake viis sekundit ja proovige akut uuesti laadida. Probleemi püsimisel pöördu volitatud hooldustöökoja poole.
Tõrke LED-tuli põleb.	Elementide erinevus on liiga suur (1 V).	Pöörduge volitatud hooldustöökoja poole.

### Akulaadija

Akulaadija LED-tuli	Põhjus	Lahendus
Tõrke LED-tuli vilgub	Töökeskkonna temperatuur on liiga kõrge või liiga madal.	Kasutage akulaadijat keskkonnas, kus õhutemperatuur jääb vahemikku 5 °C kuni 40 °C.
Tõrke LED-tuli põleb.		Pöörduge volitatud hooldustöökoja poole.

### Muruniiduk

Hoiatusindikaator (tõrke LED-tuli) asub akukatte ((LC 247i)) all või juhtpaneelil ((LC 347iVX, LC 353iVX)).

Probleem	Tõrke LED-tuli (vilkumiste arv)	Põhjus	Lahendus
Tõrke-LED-tuli vilgub. Toode ei tööta korralikult.	3	Lõiketera liikumine on takistatud.	Keera ohutuslülitit asendisse 0, et vältida juhuslikku käivitumist. Eemalda aku ja oota vähemalt 5 sekundit. Eemalda võimalikud takistused ja veendu, kas terad liiguvad vabalt. Probleemi püsimisel pöördu volitatud hooldustöökoja poole.
	5	Mootori kiirus langeb liigselt ja mootor seiskub	Suurendage lõikamiskõrgust. Vt jaotist <i>Lõikamiskõrguse reguleerimine lk 194</i> .
	6 <sup>29</sup>	Rattad või ülekanne on blokeeritud.	Keera ohutuslülitit asendisse 0, et vältida juhuslikku käivitumist. Eemalda aku ja oota vähemalt 5 sekundit. Eemaldage võimalikud takistused ja veenduge, et terad liiguvad vabalt. Probleemi püsimisel pöördu volitatud hooldustöökoja poole.
	10	Mootori juhtseade on liiga kuum.	Seisake mootor ja oodake, kuni see on jahtunud.
Tõrke-LED-tuli vilgub. Seade seiskub.	0	Akukonnektori tõrge.	Kontrollige akukonnektorit.
	3	Mootor on ülekoormatud.	Suurendage lõikamiskõrgust. Vt jaotist <i>Lõikamiskõrguse reguleerimine lk 194</i> .
	8	Aku on tühjenenud.	Laadige aku. Vt jaotist <i>Aku laadimine lk 195</i> .
	9	Aku tõrge või aku signaali pole.	Asetage aku õigesti seadmesse ja kontrollige akukonnektorit. Kui aku tõrke LED-tuli vilgub. Vt jaotist <i>Aku lk 201</i> .
	12	Vale käivitustoiming. Mootori pidurikäepide on rakendatud enne mootori käivitumist.	Vabastage mootori pidurikäepide ja oodake umbes 5 sekundit. Lükka mootori pidurikäepide uuesti alla toote käivitamiseks.
Muud tõrked.	Muude tõrgete ilmumise korral keerake ohutuslülitit asendisse 0, eemaldage aku ja võtke ühendust volitatud hooldustöökojaga.		

## Transportimine, hoialepanek ja utiliseerimine

### Sissejuhatus



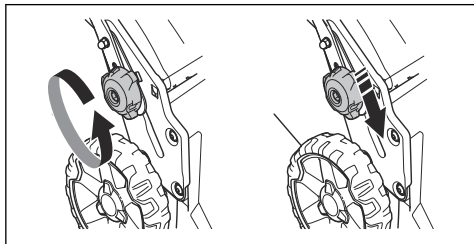
**HOIATUS:** Transportimise ajal juhusliku käivitumise vältimiseks keerake ohutuslülitit asendisse 0, eemaldage aku ja oodake vähemalt viis sekundit.

### Seadme seadmine transportasendisse

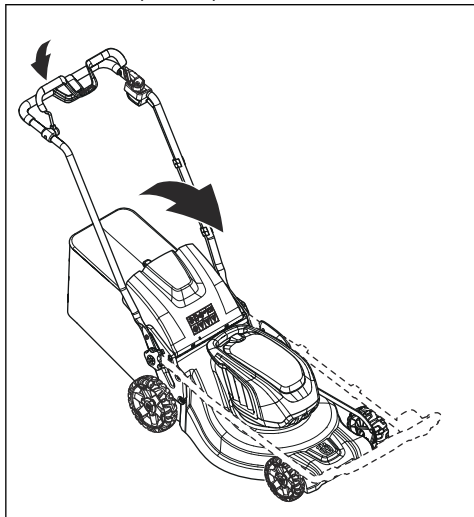
1. Keerake alumised hoovad lahti.

<sup>29</sup> LC 347iVX, LC353iVX

2. Liigutage nupud toote vasakul ja paremal küljel olevatesse soonetesse.



3. Keerake käepide ettepoole.



4. Eemaldage rohkogur.

## Transportimine

- Liitium-ioonakudele kehtivad ohtlike kaupade veonõuded.
- Kaubandusliku transpordi korral tuleb järgida pakendamise ja märgistamise erinõudeid.
- Toote transportimiseks ettevalmistamisel järgige kindlasti ohtlikele ainetele kehtivaid eeskirju. Kehtida võivad ka kohalikud eeskirjad.
- Transpordi ajaks tuleb aku alati eemaldada.
- Katke akukonnektorid isoleerteibiga ja veenduge, et aku ei saaks transportimise ajal liikuma hakata.
- Kinnitage seade transportimise ajaks.

## Hoiustamine

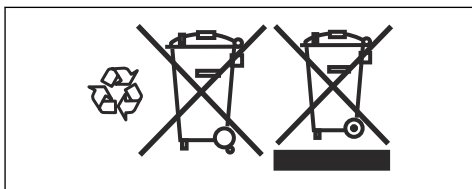
- Enne hoiustamist laske tootel jahtuda.

- Hoiustamise ajaks tuleb aku alati eemaldada.
- Õnnetuste vältimiseks veenduge, et aku ja seade poleks hoiustamise ajal ühendatud.
- Hoidke akulaadijat suletud ja kuivas kohas.
- Hoidke akut ja akulaadijat kuivas kohas, kus pole niiskust ja miinuskraade.
- Ladustamise ajaks lahutage aku akulaadija küljest.
- Ärge hoidke akut kohas, kus võib tekkida staatiline elekter. Ära hoia akut metallkastis.
- Hoidke toodet kohas, kus õhutemperatuur jääb vahemikku  $-10\text{ }^{\circ}\text{C}$  kuni  $40\text{ }^{\circ}\text{C}$ .
- Hoidke akut kohas, kus õhutemperatuur jääb vahemikku  $5\text{ }^{\circ}\text{C}$  kuni  $25\text{ }^{\circ}\text{C}$  ja kuhu ei paista otsene päikesevalgus.
- Hoidke akulaadijat kohas, kus õhutemperatuur jääb vahemikku  $5\text{ }^{\circ}\text{C}$  kuni  $45\text{ }^{\circ}\text{C}$  ja kuhu ei paista otsene päikesevalgus.
- Enne aku pikemaajalist hoiustamist laadige see 30–50% ulatuses täis.
- Hoidke seadet, akut ja akulaadijat suletud ruumis, kuhu ei pääse lapsed ja volitamata kõrvalised isikud.
- Puhastage toode ja veenduge, et rohkogur oleks tühi.
- Tehke kasutusjuhendis toodud hooldustoimingud. Vt jaotist *Hooldamine lk 199*.
- Enne toote pikaajalist hoiustamist tehke sellele täishooldus.

## Kõrvaldamine

Tootel või selle pakendil olevad sümbolid viitavad, et toodet ei tohi visata olmeprügi hulka. See tuleb toimetada ettenähtud vastuvõtupunkti, kus elektri- ja elektroonikaseadmed võetakse uuesti ringlusesse.

Hoolitsedes toote eest õigel viisil aitate vähendada võimalikke negatiivseid mõjusid keskkonnale ja inimestele, mis võivad avalduda toote vale käitlemise korral. Lisateabe saamiseks toote ringlussevõtu kohta pöörduge vastava kohaliku ametkonna, jäätmekäitlusettevõtte või toote müünud kaupluse poole.



## Tehnilised andmed

### Tehnilised andmed

	LC 247i	LC 347iVX	LC 353iVX
<b>Cutting motor (Lõikemootor)</b>			
Mootori tüüp	BLDC (harjadeta) 36 V	BLDC (harjadeta) 36 V	BLDC (harjadeta) 36 V
Mootori pöörlemissagedus – SavE, p/min	2600/min	2600/min	2600/min
Mootori pöörlemissagedus – nimisagedus, p/min	3000/min	3000/min	3000/min
Mootori pöörlemissagedus – suur koormus, p/min	3500/min	3500/min	3500/min
Mootori väljundvõimsus – max kW	0,96	0,96	1,05
Mootori väljundvõimsus – nimivõimsus, kW	0,75	0,75	0,9
<b>Veomootor</b>			
Mootori väljundvõimsus – nimivõimsus, kW	–	0,25	0,25
Iseliikumiskiirus, km/h	–	3,0–4,5	3,0–4,5
Reguleeritavad kiirusetasemed	–	4	4
<b>Mass</b>			
Mass ilma kotita (v.a aku), kg	24,5	26	28
Mass koos kotiga (sh kaks BLi30), kg	30,5	32,0	34,5
<b>Aku</b>			
Aku tüüp	Husqvarna Akuseeria		
<b>Aku tööaeg</b>			
Aku tööaeg, min, (vabajooksul) SavE on aktiveeritud, ühe Husqvarna 7,7 Ah akuga (BLi300).	62	62	46
Aku tööaeg, min, (vabajooksul) standardrežiim on aktiveeritud, ühe Husqvarna 7,7 Ah akuga (BLi300).	43	43	28
<b>Müraemissioon<sup>30</sup></b>			
Helivõimsuse tase, mõõdetud dB(A)	94	94	97
Müravõimsustase, garanteeritud L <sub>WA</sub> dB(A)	95	95	98
<b>Müratase<sup>31</sup></b>			
Helirõhutase kasutaja kõrva juures, dB(A)	82	82	86

<sup>30</sup> Müraemissioon ümbritsevasse keskkonda, mõõdetud helivõimsuse tasemena (L<sub>WA</sub>) vastavalt EÜ direktiivile 2000/14/EÜ

<sup>31</sup> Helirõhu taseme kohta esitatud andmete määramatuse tegur (K) on 1,5 dB(A).



	LC 247i	LC 347IVX	LC 353iVX
<b>Vibratsioonitase</b> <sup>32</sup>			
Käepide, m/s <sup>2</sup>	0,42	0,42	2,64
<b>Lõikeosa</b>			
Lõikekõrgus, mm	20–75 mm	20–75 mm	20–75 mm
Niitmislaius, cm	47	47	53
Lõiketera, standardne	Kogur 5905934-10	Kogur 5905934-10	Kogur 5940757-10
Lõiketera, lisatarvik	Mulch 5907010-10	Mulch 5907010-10	Mulch 5950072-10
Rohukoguri maht liitrites	55	55	60

<b>Bluetooth®-tehnoloogia raadiosageduse andmed</b>	LC 247i	LC 347IVX	LC 353iVX
Sagedusala, GHz	–	2,4–2,4835	2,4–2,4835
Väljundvõimsus, max. dBm	–	4	4

<b>Heakskiidetud akud</b>	<b>Tüüp</b>	<b>Aku mahtuvus, Ah</b>	<b>Pinge, V</b>	<b>Kaal, naela/kg</b>
BLi20	Liitiumioonaku	4,0	36	2,6/1,2
BLi30	Liitiumioonaku	7,7	36	4,2/1,9

<b>Määratletud akude heakskiidetud akulaadijad, BLi</b>	<b>Sisendpinge, V</b>	<b>Sagedus, Hz</b>	<b>Võimsus, W</b>
QC80	100-240	50-60	80
40-C80	100-240	50-60	68,8
QC250	100-240	50-60	250

<sup>32</sup> Vibratsioonitasemete kohta esitatud andmete määramatuse tegur (K) on 1,5 m/s<sup>2</sup>. Esitatud vibratsiooni koguväärtust on mõõdetud vastavalt standardi EN 62841-4-3 lisale I ning seda võidakse kasutada masinate omavaheliseks võrdlemiseks ja kokkupuute esialgseks hindamiseks.

# Vastavusdeklaratsioon

## EL-i vastavusdeklaratsioon

Husqvarna AB, SE-561 82 Huskvarna, Rootsi, tel:  
+46-36-146500, deklareerib ainuvastutusel, et toode:

<b>Kirjeldus</b>	Muruniiduk
<b>Kaubamärk</b>	Husqvarna
<b>Tüüp/mudel</b>	LC 247i
<b>Identifitseerimine</b>	Seerianumbrid alates 2021. aastast ja hilisemad

vastab täielikult järgmistele EÜ direktiividele ja eeskirjadele:

Direktiiv/eeskiri	Kirjeldus
2006/42/EÜ	„masinadirektiiv“
2014/30/EL	„elektromagnetilise ühilduvuse direktiiv“
2000/14/EÜ	„seadmete müra kohta käiv direktiiv“
2011/65/EL	„elektri- ja elektroonikaseadmetes teatavate ohtlike ainete kasutamise piiramise direktiiv“

ja et kohalduvad järgmised standardid ja/või tehnilised spetsifikatsioonid: EN 62841-1:2015+AC:2015, EN 62841-4-3:2021+A11:2021, EN ISO 12100:2010, EN 55014-1:2017+A11:2020, EN 55014-2:2015, EN IEC 63000:2018.

Teavitatud asutus: 0404,RISE SMP Svensk Maskinprovning AB, Box 7035, SE-750 07 Uppsala kinnitab vastavust nõukogu direktiivile 2000/14/EÜ, vastavushindamise menetlus: lisa VI.

Lisateavet mürataseme kohta vt *Tehnilised andmed lk 204.*

Huskvarna, 2021-12-01



Claes Losdal, aiandustoodete arendusdirektor,  
Husqvarna AB

Tehnilise dokumentatsiooni eest vastutav isik



## EL-i vastavusdeklaratsioon

Husqvarna AB, SE-561 82 Huskvarna, Rootsi, tel:  
+46-36-146500, deklareerib ainuvastutusel, et toode:

<b>Kirjeldus</b>	Muruniiduk
<b>Kaubamärk</b>	Husqvarna
<b>Tüüp/mudel</b>	LC 347iVX, LC 353iVX
<b>Identifitseerimine</b>	Seerianumbrid alates 2021-12-01. aastast ja hilisemad

vastab täielikult järgmistele EÜ direktiividele ja eeskirjadele:

Direktiiv/eeskiri	Kirjeldus
2006/42/EÜ	„masinadirektiiv“
2014/53/EÜ	„raadioseadmete direktiiv“
2000/14/EÜ	„seadmete müra kohta käiv direktiiv“
2011/65/EL	„elektri- ja elektroonikaseadmetes teatavate ohtlike ainete kasutamise piiramise direktiiv“

ja et kohalduvad järgmised standardid ja/või tehnilised spetsifikatsioonid: EN 62841-1:2015+AC:2015, EN 62841-4-3:2021+A11:2021, EN ISO 12100:2010, EN 55014-1:2017+A11:2020, EN 55014-2:2015, EN IEC 63000:2018, EN ETSI 300 328 v.2.2.2, EN 50663: 2017, ETSI EN 301 489-1 V2.2.3, ETSI EN 301 489-17 V3.2.4.

Teavitatud asutus: 0404,RISE SMP Svensk Maskinprovning AB, Box 7035, SE-750 07 Uppsala kinnitab vastavust nõukogu direktiivile 2000/14/EÜ, vastavushindamise menetlus: lisa VI.

Lisateavet mürataseme kohta vt *Tehnilised andmed lk 204*.

Huskvarna, 2021-12-01



Claes Losdal, aiandustoodete arendusdirektor,  
Husqvarna AB

Tehnilise dokumentatsiooni eest vastutav isik



---

## Registreeritud kaubamärgid

---

Bluetooth®-i sõnamärk ja logod on ettevõtte Bluetooth SIG, inc. registreeritud kaubamärgid ja ettevõtte Husqvarna kasutab neid litsentsi alusel.

---

## Sisällys

---

Johdanto.....	208	Vianmäärittäminen.....	225
Turvallisuus.....	210	Kuljettaminen, säilyttäminen ja hävittäminen.....	226
Asentaminen.....	216	Tekniset tiedot.....	228
Käyttö.....	217	Vaatimustenmukaisuusvakuutus.....	230
Huolto.....	223	Rekisteröidyt tavaramerkit.....	231

---

## Johdanto

---

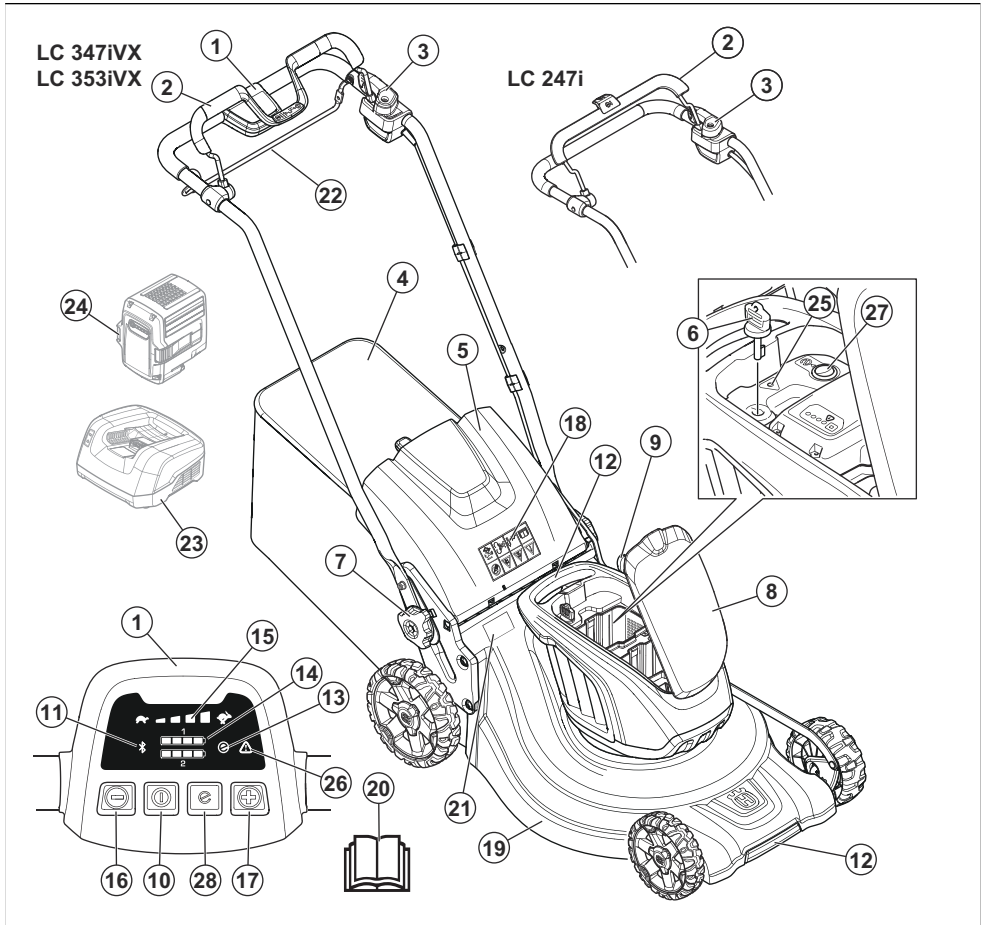
### Tuotekuvaus

Tuote on kävellen ohjattava ja pyörivä ruohonleikkuri. Leikattu ruoho kerätään ruohonkerääjään. Voit ottaa ruohon taakseheittotoiminnon käyttöön irrottamalla ruohonkerääjän. Voit tehdä ruohon leikkuujätteestä lannoitetta liittämällä ruohonleikkuriin silppurin (lisävaruste).

### Käyttötarkoitus

Käytä laitetta ruohon leikkuuseen. Älä käytä laitetta muihin tehtäviin.

## Laitteen kuvaus



- |   |   |
|---|---|
| 1. Ohjauspaneeli (LC 347iVX, LC 353iVX)       | 16. Hidastuspainike (LC 347iVX, LC 353iVX)        |
| 2. Moottorin jarrukahva                       | 17. Nopeuspainike (LC 347iVX, LC 353iVX)          |
| 3. Käynnistyksenesto                          | 18. Symboli                                       |
| 4. Ruohonkerääjä                              | 19. Leikkuusuojus                                 |
| 5. Takasuojus                                 | 20. Käyttöohjekirja                               |
| 6. Turva-avain                                | 21. Tyypikilpi                                    |
| 7. Kahvan nappi                               | 22. Vetojärjestelmän sanka (LC 347iVX, LC 353iVX) |
| 8. Akun kansi                                 | 23. Akkulaturi (lisävaruste)                      |
| 9. Leikkuukorkeuden säädin                    | 24. Akku (lisävaruste)                            |
| 10. virtapainike                              | 25. Vian merkivalo (LC 247i)                      |
| 11. Langattoman Bluetooth®-tekniikan ilmaisin | 26. Vian merkivalo (LC 347iVX, LC 353iVX)         |
| 12. Nostokahvat                               | 27. SavE-painike (LC 247i)                        |
| 13. SavE-ilmaisin                             | 28. SavE-painike (LC 347iVX, LC 353iVX)           |
| 14. Akun ilmaisin                             |   |
| 15. Nopeusilmaisin (LC 347iVX, LC 353iVX)     |   |

## Laitteen symbolit



VAROITUS



Lue ohjeet.



VAROITUS – Varo sinkoutuvia esineitä.



Pidä sivulliset loitolla.



VAROITUS – Pidä kätesi ja jalkasi poissa terien läheisyydestä.



VAROITUS – Irrota akku ennen huoltotoimenpiteitä.



Laitetta tai sen pakkausta ei saa hävittää kotitalousjätteen mukana. Vie se asianmukaiseen sähkö- ja elektroniikkalaitteiden keräyspisteeseen.



Laitte täyttää voimassa olevien EY-direktiivien vaatimukset.



EU- ja UK-direktiivien ja -säädösten mukainen ympäristön melupäästökilpi. Laitteen taattu äänitehotaso on määritelty kohdassa *Tekniset tiedot sivulla 228* ja kilvessä.

## IPX1

Laitte on suojattu pystysuoraan tippuvältä vedeltä.



Pysäyttämisen: vapauta moottorin jarrukahva.



Skannattava koodi

**Huomautus:** Muita laitteen symboleita/tarroja tarvitaan joillakin markkina-alueilla ilmaisemaan sertifiointivaatimuksia.

## Laiteen tarra



VAARA – Pidä kädet ja jalat etäällä.

## Tuotevastuu

Tuotevastuulain mukaisesti emme ole vastuussa tuotteen aiheuttamasta vaurioista, jos

- tuote on korjattu virheellisesti
- tuotteen korjaamiseen on käytetty muita kuin valmistajan omia tai sen hyväksymiä osia
- tuotteessa on muu kuin valmistajan oma tai sen hyväksymä lisävaruste
- tuotetta ei ole korjattu valtuutetussa huoltopisteessä tai hyväksytyllä asiantuntijalla.

## Turvallisuus

### Turvallisuusmääritelmät

Varoituksia, huomioita ja huomautuksia käytetään, kun jotakin käyttöohjeen osaa halutaan erityisesti korostaa.



**VAROITUS:** Tätä käytetään, jos käyttöohjeen noudattamatta jättämisestä voi seurata käyttäjän tai sivullisen vamma tai kuolema.



**HUOMAUTUS:** Tätä käytetään, jos käyttöohjeen noudattamatta jättämisestä voi seurata koneen, muiden materiaalien tai ympäristön vaurioituminen.

**Huomautus:** Tätä käytetään tietyissä tilanteissa tarvittavien lisätietojen antamiseen.

## Yleiset tuoteturvavaroitukset



**VAROITUS:** Lue kaikki tämän laitteen mukana tulevat turvavaroitukset, ohjeet, kuvat ja tekniset tiedot. Alla olevien ohjeiden noudattamatta jättäminen voi johtaa sähköiskuun, tulipaloon ja/tai vakavaan tapaturmaan.

**Säästä kaikki varoitukset ja ohjeet tulevaa käyttöä varten.** Termillä "laite" tarkoitetaan varoituksissa verkkosähköllä toimivaa (johdollista) laitetta tai akkukäyttöistä (johdotonta) laitetta.

### Työalueen turvallisuus

- **Pidä työalue siistinä ja hyvin valaistuna.** Sotkuiset tai hämärät alueet ovat alttiita onnettomuuksille.
- **Älä käytä laitetta räjähdysherkässä ympäristössä, esimerkiksi herkästi syttyvien nesteiden, kaasujen tai pölyn läheisyydessä.** Laitteesta lähtevät kipinät voivat sytyttää pölyn tai kaasut.
- **Pidä lapset ja sivulliset poissa, kun käytät laitetta.** Häiriöt voivat saada sinut menettämään työkalun hallinnan.

### Sähköturvallisuus

- **Laitteen pistokkeen on sovittava pistorasiaan. Älä koskaan muuta pistoketta millään tavoin. Älä käytä mitään pistokesovittimia maadoitettujen laitteiden kanssa.** Muuttamattomat pistokkeet ja sopivat pistorasiat vähentävät sähköiskun vaaraa.
- **Varo koskettamasta maadoitettuja pintoja, kuten putkia, pattereita, liesiä ja jääkaappeja.** Sähköiskun riski kasvaa, jos käyttäjän keho on maadoitettu.
- **Älä altista laitteita sateelle tai märille olosuhteille.** Laitteeseen päässyt vesi lisää sähköiskun vaaraa.
- **Älä vahingoita johtoa. Älä koskaan käytä johtoa laitteen kantamiseen, vetämiseen tai irrottamiseen pistorasiasta. Pidä johto etäällä kuumuudesta, öljystä, terävistä reunoista tai liikkuvista osista.** Vialliset tai solmussa olevat johdot lisäävät sähköiskuvaaraa.
- **Kun käytät laitetta ulkona, käytä ulkoiloihin sopivaa jatkojohtoa.** Ulkokäyttöön sopivan johdon käyttäminen vähentää sähköiskun vaaraa.
- **Mikäli laitteen käyttämistä kosteassa ei voida välttää, käytä virtalähdettä, jossa on vikavirtasuojakytkin (RCD).** Vikavirtasuojakytkimen käyttäminen vähentää sähköiskuvaaraa.

### Henkilökohtainen turvallisuus

- **Pysy valppaana, katso mitä teet ja käytä tervettä järkeä käyttäessäsi laitetta. Älä käytä laitetta väsyneenä tai alkoholin, huumeiden tai lääkityksen vaikutuksen alaisena.** Hetken epähuomioi laitteita käytettäessä voi johtaa vakavaan henkilövahinkoon.
- **Käytä henkilökohtaisia suojarusteita. Pidä aina silmäsuojia.** Hengityssuojain, luistamattomat turvakengät, kypärä, kuulosuojaimet ja muut

suojarusteet niitä vaativissa oloissa käytettynä vähentävät henkilövahinkoja.

- **Estä tahaton käynnistys. Varmista, että katkaisin on OFF-asennossa ennen virtalähteen ja/tai akun kytkemistä, laitteeseen tarttumista tai sen kantamista.** Laitteiden kantaminen sormi kytkimellä tai virran kytkeminen laitteeseen, kun kytkin on käyttöasennossa, altistaa onnettomuuksille.
- **Irrota mahdolliset säätöavaimet ennen virran kytkemistä laitteeseen.** Laitteen pyöriivään osaan kiinnitetty avain voi aiheuttaa henkilövahingon.
- **Älä kurota. Säilytä aina tukeva asento ja tasapaino.** Tämä mahdollistaa laitteen paremman hallinnan odottamattomissa tilanteissa.
- **Pukeudu oikein. Älä käytä löysästi istuvia vaatteita tai koruja. Pidä hiukset ja vaatteet etäällä liikkuvista osista.** Löysät vaatteet, korut tai pitkät hiukset voivat tarttua liikkuviin osiin.
- **Jos käytettävissä on kytkentämahdollisuus pölynpistojarjestelmälle, varmista, että se kytketään ja että sitä käytetään oikein.** Pölynpoistojärjestelmän käyttö voi vähentää pölyyn liittyviä riskejä.
- **Vaikka olisit käyttänyt laitteita usein ja tuntisit ne hyvin, muista aina ottaa huomioon laitteen turvamääräykset.** Huolimaton toiminta voi aiheuttaa vakavia vahinkoja sekunnin murto-osassa.

### Laitteen käyttäminen ja huoltaminen

- **Älä käytä laitetta väkisin. Käytä käyttötarkoitukseen sopivaa laitetta.** Oikea laite tekee työn paremmin ja turvallisemmin nopeudella, jota varten se on suunniteltu.
- **Älä käytä laitetta, jos virtaa ei voi kytkä ja katkaista virtakytkimellä.** Mikä tahansa laite, jota ei voi hallita virtakytkimellä, on vaarallinen, ja se pitää korjata.
- **Irrota pistoke pistorasiasta ja/tai akku laitteesta, mikäli mahdollista, ennen kuin teet mitään säätöjä, vaihdat lisävarusteita tai varastoit laitteita.** Nämä ennakoivat turvatouimet vähentävät laitteen vahingossa käynnistymisen vaaraa.
- **Varastoi käyttämättömät laitteet pois lasten ulottuvilta äläkä anna henkilöiden, jotka eivät tunne laitetta tai näitä ohjeita, käyttää laitetta.** Laitteet ovat vaarallisia taitamattomien käyttäjien käsissä.
- **Pidä laitteet ja lisävarusteet hyvässä kunnossa.** Tarkista, etteivät liikkuvat osat ole pois kohdaltaan tai juuttuneet, että mikään osa ei ole rikkoutunut ja että mikään muu olosuhde ei vaikuta laitteen toimintaan. Jos laite on vahingoittunut, korjauta se ennen käyttöä. Monet onnettomuudet johtuvat huonosti huolletusta laitteesta.
- **Pidä leikkaustyökalut terävinä ja puhtaina.** Oikein huolletut leikkaustyökalut, joiden leikkausreunat ovat terävät, eivät juutu kiinni niin helposti ja ovat helpommin hallittavissa.
- **Käytä laitetta, lisävarusteita, teriä jne. näiden ohjeiden mukaisesti ottaen huomioon työskentelyolosuhteet ja suoritettavan työn laadun.**

Laitteen käyttäminen ennakoiduista poikkeavissa olosuhteissa voi johtaa vaaratilanteeseen.

- **Pidä kahvat ja tarttumapinnat kuivina, puhtaina ja öljyttöminä sekä puhtaana vaseliinista.** Liukkaat kahvat ja tarttumapinnat eivät mahdollista laitteen turvallista käsittelyä ja hallintaa odottamattomissa tilanteissa.

## Palvelu

- **Anna laitteen korjaaminen pätevän korjaajan tehtäväksi. Koneessa saa käyttää vain täysin samanlaisia varaosia.** Näin taataan, että laitteen käyttöturvallisuus säilyy ennallaan.
- **Älä koskaan huolla vahingoittuneita akkuja.** Akkuja saavat huoltaa vain valmistaja ja valtuutetut palveluntarjoajat.

## Akkukäyttöisten työkalujen käyttö ja huolto

- **Lataa akku ainoastaan valmistajan tarkoitukseen nimeämällä laturilla.** Tietynlaisen akustoon soveltuva laturi voi aiheuttaa toisen akuston lataamiseen käytettynä tulipalon vaaran.
- **Liitä tuotteisiin ainoastaan niissä käytettäviksi hyväksytyt akkuja.** Muunlaisten akkujen käyttö voi aiheuttaa tapaturmien tai tulipalon vaaran.
- **Kun akkuja ei käytetä, pidä se etäällä metalliesineistä, kuten paperiliittimistä, kolikoista, avaimista, nautoista, ruuveista tai muista pienistä metalliesineistä, jotka saattavat aiheuttaa kosketuksen liittinten välillä.** Akkuliitinten saattaminen keskenään oikosulkuun voi aiheuttaa palovammoja tai tulipalon.
- **Akusta voi tihkuu nestettä väärissä olosuhteissa. Vältä kosketusta akkuneesteeseen. Jos akkuneestettä joutuu iholle, huuhtelee ihoalue vedellä. Jos neste joutuu kosketuksiin silmien kanssa, ota myös yhteys lääkärin.** Akkuneeste voi aiheuttaa ihoärsytystä tai palovammoja.
- **Älä käytä vaurioitunutta tai muutettua akkuja tai työkalua.** Jos tuotteessa käytetään vaurioituneita tai muutettuja akkuja, tuote ei välttämättä toimi asianmukaisesti. Seurauksena saattaa olla tulipalo, räjähdys tai tapaturma.
- **Älä altista akkuja tai työkalua tulelle tai korkeille lämpötiloille.** Laitteen altistaminen tulelle tai yli 130 °C:n lämpötilalle voi aiheuttaa räjähdyksen.
- **Noudata kaikkia latausohjeita äläkä lataa akkuja tai työkalua ohjeissa määritetyn lämpötila-alueen ulkopuolella.** Akun lataaminen väärin tai sallituista lämpötiloista poikkeavissa olosuhteissa voi vahingoittaa akkuja ja lisätä tulipaloriskiä.

## Ruohonleikkurin turvavaroitukset

- **Älä käytä ruohonleikkuria epäsuotuisissa sääolosuhteissa, etenkin jos salamointi on mahdollista.** Näin pienennät salamaniskujen riskiä.
- **Tarkista perusteellisesti löytyykö ruohonleikkurin käyttöalueelta luontokappaleita.** Luontokappaleet voivat loukkaantua ruohonleikkurin käytön aikana.

- **Tarkista ruohonleikkurin käyttöalue huolellisesti ennen käyttöä ja poista kaikki kivet, risut, johdot, luut ja muut vierasesineet.** Sinkoutuvat esineet voivat aiheuttaa henkilövahinkoja.
- **Tarkasta aina ennen ruohonleikkurin käyttöä silmämääräisesti, että terä ja teräkkökoonpano eivät ole kuluneet tai vaurioituneet.** Vaurioituneet tai kuluneet osat lisäävät loukkaantumisvaaraa.
- **Tarkasta virtajohto ja jatkojohto ennen käyttöä vaurioiden tai kulumisen varalta. Älä käytä ruohonleikkuria, jos johto on vaurioitunut tai kulunut. Jos johto on vaurioitunut tai kulunut käytön aikana, katkaise ruohonleikkurin virta äläkä koske johtoon ennen kuin se on irrotettu virtalähteestä.** Vaurioitunut virtajohto tai jatkojohto voi aiheuttaa sähköiskun vaaran, tulipalon ja/tai vakavia vammoja.
- **Tarkasta ruohonkerääjä usein kulumisen tai heikkenemisen varalta.** Kulunut tai vaurioitunut ruohonkerääjä voi lisätä loukkaantumisriskiä.
- **Pidä suojukset paikoillaan. Suojusten on oltava toimintakunnossa ja oikein asennettuina.** Irrallinen, vaurioitunut tai huonosti toimiva suojus voi aiheuttaa henkilövahinkoja.
- **Pidä kaikki jäähdytysilman tuloaukot puhtaina roskista.** Tukkeutuneet tuloaukot ja roskat voivat aiheuttaa ylikuumentumista tai tulipalon vaaran.
- **Käytä aina ruohonleikkuri käytön aikana luistamattomia suojajalkineita. Älä käytä ruohonleikkuria avojaloin tai avoimet sandaalit jalassa.** Tämä vähentää jalkojen loukkaantumisen vaaraa, jos ne osuvat liikkuviin teriin.
- **Käytä pitkiä housuja aina ruohonleikkuria käyttäessäsi.** Paljas iho lisää lentävistä esineistä aiheutuvan loukkaantumisen todennäköisyyttä.
- **Älä käytä ruohonleikkuria märällä nummikolla.** Liiku kävelyvauhtia, ei juosten. Tämä vähentää liukastumisen ja kaatumisen vaaraa, josta voi aiheutua henkilövahinkoja.
- **Älä käytä ruohonleikkuria hyvin jyrkissä rinteissä.** Tämä vähentää hallinnan menettämisen, liukastumisen ja kaatumisen vaaraa, josta voi aiheutua henkilövahinkoja.
- **Kun työskentelet rinteissä, pidä jalkasi tukevasti maassa. Käytä konetta aina sivusuunnassa rinteeseen nähden äläkä koskaan ala- tai yläsuunnassa. Ole erittäin varovainen, kun vaihdat suuntaa.** Tämä vähentää hallinnan menettämisen, liukastumisen ja kaatumisen vaaraa, josta voi aiheutua henkilövahinkoja.
- **Noudata äärimmäistä varovaisuutta, kun peruutat tai vedät ruohonleikkuria itseesi päin. Tarkkaile aina ympäristöäsi.** Tämä vähentää kompastumisriskiä käytön aikana.
- **Pidä virtajohto etäällä leikkuuteristä.** Vaurioitunut virtajohto voi aiheuttaa sähköiskun vaaran, tulipalon ja/tai vakavia vammoja.
- **Sammuta ruohonleikkuri ja irrota pistoke pistorasiasta, jos johto on solmussa tai vaurioitunut.** Solmussa olevat tai vialliset johdot lisäävät sähköiskun vaaraa.



- **Älä koske teriin tai muihin vaarallisiin liikkuviin osiin, kun ne liikkuvat.** Tämä vähentää liikkuvista osista aiheutuvan loukkaantumisen riskiä.
- **Kun irrotat juutunutta materiaalia tai puhdistat ruohonleikkuria, varmista, että kaikki virtakytkimet on asetettu OFF-asentoon ja virtajohto on irrotettu.** Ruohonleikkurin odottamaton käynnistyminen voi aiheuttaa vakavia henkilövahinkoja.

## Vikavirtasuojakytkin

- Käytä vikavirtasuojakytkintä, jonka laukaisuvirta on enintään 30 mA.

## Yleiset turvaohjeet



**VAROITUS:** Lue seuraavat varoitusohjeet ennen laitteen käyttämistä.

- Tämä laite on vaarallinen, jos sitä käytetään huolimattomasti tai virheellisesti. Turvaohjeiden noudattamatta jättäminen voi aiheuttaa vammoja tai kuoleman.
- Laite muodostaa käytön aikana sähkömagneettisen kentän. Kenttä saattaa joissakin olosuhteissa häiritä aktiivisten tai passiivisten lääketieteellisten implanttien toimintaa. Vakavien tai hengenvaarallisten tapaturmien ehkäisemiseksi kehotamme lääketieteellisiä implantteja käyttäviä henkilöitä neuvottelemaan lääkäriin ja lääketieteellisen implantin valmistajan kanssa ennen laitteen käyttämistä.
- Ole aina varovainen ja käytä tervettä järkeä. Jos et ole varma, miten laitetta käytetään erityistilanteessa, sammuta laite ja ota yhteys Husqvarna-jälleenmyyjään, ennen kuin jatkat.
- Muista, että käyttäjä on vastuussa muille ihmisille tai heidän omaisuudelleen aiheutuvista vahingoista.
- Pidä laite puhtaana. Varmista, että tuotteen merkit ja tarrat ovat luettavissa.
- Älä anna lasten tai näitä ohjeita tuntemattomien henkilöiden käyttää laitetta. Paikalliset määräykset saattavat rajoittaa käyttäjän ikää.
- Valvo aina laitetta käyttävää henkilöä, jonka fyysiset tai psyykkiset taidot ovat heikentyneet. Vastuullisen aikuisen on oltava aina paikalla.
- Älä käytä laitetta ollessasi väsynyt tai sairas tai jos olet alkoholin, huumaavien aineiden tai lääkkeiden vaikutuksen alaisena. Niillä on negatiivinen vaikutus näkökykyysi, vireytesi, harkintakykyysi ja kehosi hallintaan.
- Älä käytä konetta, jos se on viallinen.
- Älä tee koneeseen muutoksia tai käytä konetta, mikäli epäilet jonkun muun muuttaneen sitä.

## Työturvallisuus

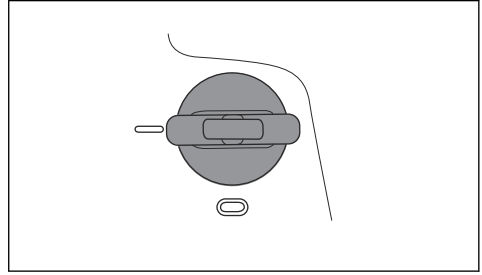


**VAROITUS:** Lue seuraavat varoitusohjeet ennen laitteen käyttämistä.

- Käytä tätä tuotetta ainoastaan nurmikoiden leikkaamiseen. Laitetta ei saa käyttää muihin käyttötarkoituksiin.
- Käytä henkilökohtaisia suojavarusteita. Katso kohta *Henkilökohtainen suojavarustus sivulla 214.*
- Opettele pysäyttämään moottori nopeasti hätätilassa.
- Älä käytä laitetta sateella tai märissä olosuhteissa. Sähköiskun vaara kasvaa, jos laitteeseen pääsee vettä.
- Älä käytä tuotetta, ellei sen terää ja kaikkia suojuksia ole kiinnitetty asianmukaisesti. Virheellisesti kiinnitetty terä saattaa irrota ja aiheuttaa henkilövahinkoja.
- Varmista, ettei terä osu kiviin ja juuriin. Tämä voi vaurioittaa terää, ja moottorin akseli voi vääntyä. Vääntynyt akseli aiheuttaa voimakasta tärinää. Tällöin on erittäin suuri riski, että terä irtoaa.
- Jos terä osuu esineeseen tai alkaa täristä, pysäytä tuote välittömästi. Sammuta moottori, käännä turvakytkin asentoon 0 ja irrota akku. Odota, kunnes liikkuvat osat pysähtyvät. Tarkista laite vaurioiden varalta. Kiristä löystyneet osat. Korjaa vauriot ja vaihda vaurioituneet osat. Anna huoltotyö valtuutetun huoltoliikkeen tehtäväksi.
- Älä koskaan liitä moottorin jarrukahvaa pysyvästi kahvaan moottoria käynnistettäessä.
- Aseta laite kiinteälle, tasaiselle alustalle ja käynnistä se. Varmista, ettei terä pääse osumaan maahan tai mihinikään esineeseen.
- Ole aina laitteen takana käyttäessäsi sitä.
- Pidä kaikki renkaat maassa ja molemmat kätesi työntöaisalla käyttäessäsi laitetta. Pidä kädet ja jalat poissa pyörievien terien läheisyydestä.
- Älä kallista laitetta, kun käynnistät moottorin tai käytät laitetta.
- Ole varovainen vetäessäsi laitetta taaksepäin.
- Älä koskaan nosta laitetta moottorin käynnistyksen aikana. Jos laite on nostettava, sammuta ensin moottori, käännä turvakytkin asentoon 0 ja irrota akku.
- Älä kävele taaksepäin käyttäessäsi laitetta.
- Pysäytä moottori, kun tuotetta on kallistettava kuljetusta varten tai ennen kuin siirryt alueille, joilla ei ole ruohoa, esimerkiksi sorasta, kivistä tai asfaltista tehdyille poluille.
- Älä juokse laitteen kanssa, kun moottoria käynnistetään. Kävele aina, kun käytät laitetta.
- Sammuta moottori ennen kuin muutat leikkukorkeutta. Älä koskaan tee säätöjä moottorin käydessä.

- Älä koskaan jätä laitetta ilman valvontaa moottorin käydessä. Sammuta moottori ja varmista, ettei terävarustus pyöri.
- Laitteen tärinä käytön aikana voi erota kohdassa *Tekniset tiedot sivulla 228* ilmoitetusta tärinäarvosta. Ero johtuu tuotteen käyttötavan vaihtelusta. Jos käytät laitetta usein tai pitkään, pidä taukoja säännöllisesti, jotta tärinä ei aiheuta vammoja.

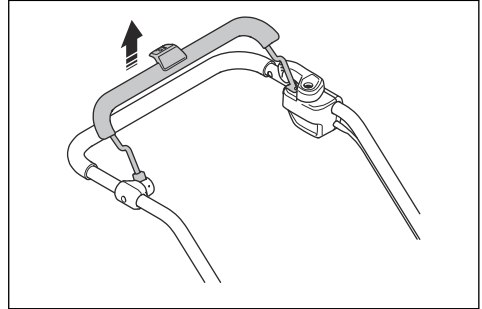
- Jos turva-avain toimii oikein, moottori käynnistyy vain, kun avain on käännetty asentoon 1.



### Moottorin jarrukahvan tarkistaminen

Moottorin jarrukahva pysäyttää moottorin. Kun moottorin jarrukahva vapautetaan, moottori pysähtyy.

- Käynnistä laite. Katso kohta *Käyttö sivulla 217*.
- Vapauta moottorin jarrukahva.

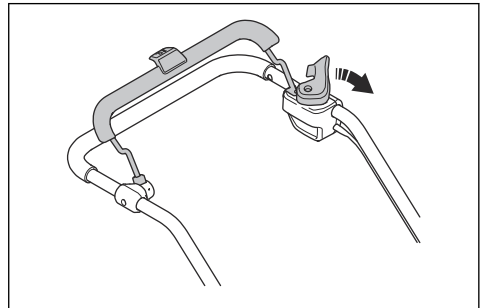


- Varmista, että laite pysähtyy. Jos moottori ei pysähdy 3 sekunnissa, anna valtuutetun Husqvarna-huoltoliikkeen säätää moottorijarru.

### Käynnistykseneston tarkistaminen

Tarkista käynnistyksenesto ja varmista, että se estää moottorin toiminnan.

1. Työnnä moottorin jarrukahvaa kahvaston suuntaan. Käynnistyksenesto pysäyttää liikkeen.
2. Työnnä käynnistyksenesto ulos.



## Turvallisuusohjeet käyttöä varten

### Henkilökohtainen suojarustus



**VAROITUS:** Lue seuraavat varoitusohjeet ennen laitteen käyttämistä.

- Henkilökohtaiset suojarusteet eivät poista tapaturmien vaaraa, mutta ne lieventävät vammoja onnettomuustilanteessa. Anna jälleenmyyjän auttaa oikeiden varusteiden valinnassa.
- Käytä kestäviä luistamattomia saappaita tai kenkiä. Älä käytä avonaisia jalkineita tai kulje paljain jaloin.
- Käytä vahvakankaisia, pitkiä housuja.
- Käytä suojakäsineitä tarvittaessa, esimerkiksi terävarustuksen asennuksen, tarkastuksen ja puhdistuksen aikana.
- Suosittelemme kuulonsuojaimien käyttöä.

### Tuotteen turvalaitteet



**VAROITUS:** Lue seuraavat varoitusohjeet ennen laitteen käyttämistä.

- Älä käytä laitetta, jos jokin sen turvalaitteista on rikki.
- Älä poista turvalaitteita tai tee niihin muutoksia.
- Tarkasta turvalaitteet säännöllisesti. Jos turvalaitteissa on vikoja, ota yhteyttä Husqvarna-huoltoliikkeeseen.

### Leikkuusuojuksen tarkistaminen

Leikkuusuojus vähentää laitteen tärinää ja terän aiheuttamaa tapaturmavaaraa.

- Tarkista leikkuusuojus vaurioiden, kuten halkeamien, varalta.

### Turva-avaimen tarkistaminen

Turva-avain on akun kannen alla. Turva-avain kytkee akun, joka tuottaa tehoa moottorille.

- Tarkista turva-avaimen toiminta käynnistämällä ja sammuttamalla moottori.

3. Vapauta käynnistyksenesto ja varmista, että se palaa alkuasentoonsa.

## Akkuturvallisuus



**VAROITUS:** Lue seuraavat varoitushjeet ennen laitteen käyttämistä.

- Käytä ladattavia Husqvarna-akkuja vain yhteensopivien Husqvarna-tuotteiden virtalähteenä. Tapaturmien välttämiseksi akkuja ei saa käyttää muiden laitteiden virtalähteenä.
- Älä käytä paristoja.
- Sähköiskun vaara. Älä koske akun napoihin avaimella, kolikolla, ruuvilla tai muilla metalliesineillä. Tämä voi aiheuttaa akun oikosulun.
- Älä aseta esineitä akun ilmarakoihin.
- Pidä akku suojassa suoralta auringonvalolta, kuumuudelta ja avotulelta. Akku voi räjähtää ja aiheuttaa palo- ja/tai syöpymisvammoja.
- Suojaa akku sateelta ja kosteilta olosuhteilta.
- Älä altista akku mikroaalloille ja korkealle paineelle.
- Älä yritä purkaa tai rikkoa akkuja.
- Jos akku vuotaa, älä anna nesteen joutua kosketuksiin kehon tai silmien kanssa. Jos nestettä joutuu iholle, puhdista alue heti runsaalla vedellä ja hakeudu lääkäriin.
- Käytä laitteen akkuja ainoastaan 5–40 °C:n lämpötiloissa.
- Käytä akkulatoria ainoastaan 5–40 °C:n lämpötiloissa.
- Akku ei lataudu, jos akun lämpötila on yli 50 °C.
- Älä pese akkuja tai akkulatoria vedellä. Katso kohta *Akun ja akkulatorin puhdistaminen sivulla 224*.
- Älä käytä viallista tai vaurioitunutta akkuja.
- Säilytä akkuja varastossa kaukana metalliesineistä kuten nauloista, kolikoista ja koruista.

## Akkulatorin turvallisuus



**VAROITUS:** Lue seuraavat varoitushjeet ennen laitteen käyttämistä.

- Käytä QC-akkulatureita vain Husqvarna-vara-akkujen lataukseen.
- Sähköiskun tai oikosulun vaara. Älä aseta esineitä laturin ilmarakoihin. Älä yritä purkaa akkulatoria. Älä liitä laturin liittimiä metalliesineisiin. Käytä hyväksyttyä pistorasiata.
- Laite muodostaa käytön aikana sähkömagneettisen kentän. Kenttä saattaa joissakin olosuhteissa häiritä aktiivisten tai passiivisten lääketieteellisten implanttien toimintaa. Vakavien tai hengenvaarallisten tapaturmien ehkäisemiseksi kehotamme lääketieteellisiä implanteja käyttäviä henkilöitä neuvottelemaan lääkäriin ja

lääketieteellisen implantin valmistajan kanssa ennen laitteen käyttämistä.

- Tarkista säännöllisesti, että akkulatorin virtajohto ei ole vaurioitunut ja ettei siinä ole murtumia.
- Älä nosta akkulatoria virtajohdosta. Irrota akkulatori pistorasiasta vetämällä pistoke ulos. Älä vedä virtajohdosta.
- Pidä virtajohto ja jatkojohdot poissa veden, öljyn ja terävien reunojen ulottuvilta. Pidä huolta, ettei kaapeli kiristy ovien, aitojen tai muiden vastaavien esineiden kohdalla. Se voi muuttaa laturin jännitteelliseksi.
- Älä pese akkulatoria vedellä.
- Yli 8-vuotiaat lapset ja henkilöt, joiden fyysinen, sensorinen tai henkinen toimintakyky on alentunut tai joilla ei ole riittävää kokemusta tai taitoja laitteen käyttöön, saavat käyttää akkulatoria, mikäli he ovat saaneet ohjausta tai ohjeita akkulatorin turvallisesta käytöstä ja ymmärtävät siihen liittyvät vaarat. Lapset eivät saa leikkiä akkulatorilla. Lapset eivät saa puhdistaa tai huoltaa laitetta ilman valvontaa.
- Älä lataa akkulatorilla akkuja, jotka eivät sovellu uudelleenlataukseen.
- Älä käytä akkulatoria herkästi syttyvien materiaalien tai syöpymistä aiheuttavien materiaalien lähellä. Älä peitä akkulatoria. Jos havaitset savua tai tulta, irrota akkulatorin pistoke pistorasiasta.
- Älä käytä viallista tai vaurioitunutta akkulatoria.
- Lataa akku vain sisätiloissa poissa auringonvalosta ja tilassa, jossa on hyvä ilmanvaihto. Älä lataa akkuja määritetyissä olosuhteissa.

## Turvaohjeet huoltoa varten



**VAROITUS:** Lue seuraavat varoitushjeet ennen laitteen käyttämistä.

- Jotta laite ei käynnisty vahingossa huollon aikana, käännä turvakytin asentoon 0 ja irrota akku. Odota vähintään viisi sekuntia ennen huollon aloittamista.
- Tee laitteelle ainoastaan käyttöohjekirjassa mainitut huoltotoimenpiteet. Laajemmat toimenpiteet ja ammattimaiset korjaukset on teetettävä valtuutetussa huoltooliikkeessä. Kysy lisätietoja lähimmästä huoltooliikkeestä.
- Laitteen oikeanlainen huoltaminen pidentää sen käyttöikää ja pienentää onnettomuusvaaraa.
- Vaihda vaurioituneet, kuluneet tai rikkoutuneet osat. Käytä aina valmistajan alkuperäisiä varaosia. Muut varaosat voivat vahingoittaa laitetta ja lisätä onnettomuusriskiä.
- Älä poista turvalaitteita tai tee niihin muutoksia vammojen ennaltaehkäisemiseksi.
- Käytä työrukkasia, kun käsittelet terävarustusta. Terä on erittäin terävä ja aiheuttaa helposti haavoja.
- Pidä leikkausreunat terävinä ja puhtaina, jotta laitteen suorituskyky ja turvallisuus pysyvät mahdollisimman hyvänä.

- Anna huoltoliikkeen tarkastaa laite säännöllisesti ja tarvittaessa säätää ja korjata se.
- Noudata lisävarusteiden vaihtoa koskevia ohjeita. Käytä ainoastaan valmistajan lisävarusteita.

- Kun laitetta ei käytetä, säilytä se, akku ja akkulaturi erillään kuivassa ja lukitussa sisätilassa. Varmista, että lapset ja asiattomat henkilöt eivät pääse käsiksi laitteeseen, akkuun tai akkulaturiin.

## Asentaminen

### Johdanto



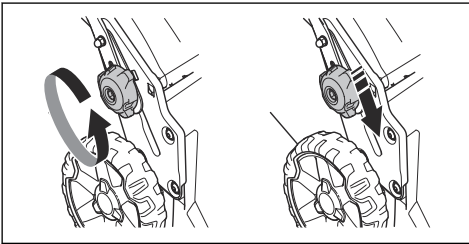
**VAROITUS:** Ennen kuin kokoat tuotteen, lue turvallisuutta koskeva luku.



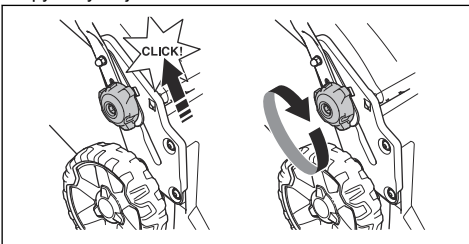
**VAROITUS:** Jotta kone ei käynnisty vahingossa asennuksen aikana, käännä turva-avain asentoon 0, irrota akku ja odota vähintään viisi sekuntia.

### Kahvan säätäminen

1. Irrota alemmat nupit.
2. Liu'uta nupit urien alaosaan laitteen molemmin puolin.



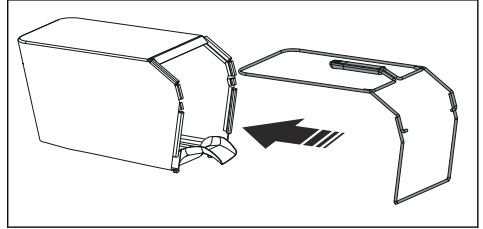
3. Aseta kahvan korkeus jompaankumpaan käytettävissä olevista asennoista.
4. Liu'uta nuppeja ylöspäin kahvaa kohti, kunnes ne pysähtyvät ja kuulet naksahduksen.



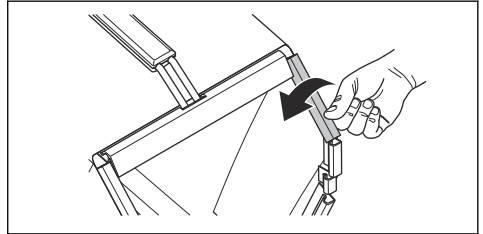
5. Kiristä nupit huolellisesti.

### Ruohonkerääjän asentaminen

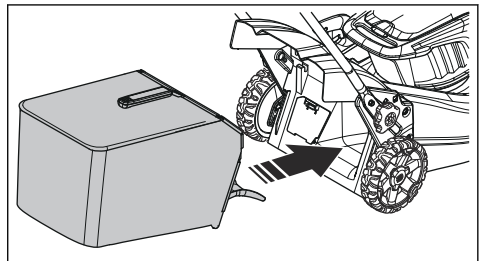
1. Kiinnitä ruohonkerääjän kehys keruupussiin niin, että pussin jäykkä osa on alhaalla. Pidä kehysten kahva keruupussin yläpuolella.



2. Kiinnitä ruohonkerääjän kehysten alaosa ruohonkerääjän alaosaan olevaan uraan.
3. Kiinnitä keruupussi ruohonkerääjän runkoon kiinnikkeillä.



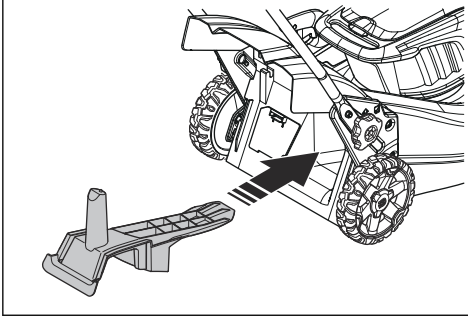
4. Nosta takasuojus ylös.
5. Kiinnitä ruohonkerääjän rungon yläreunaan.
6. Aseta ruohonkerääjän alempi osa ruohon ulosheittokanavaan.



### Silppurin tulpan asentaminen (lisävaruste)

1. Nosta takasuojus ylös ja irrota ruohonkerääjä.

2. Aseta silppurin tulppa ruohonkerääjän ulosheittokanavaan.



3. Vaihda terän tilalle silppurisarjan mukana toimitettu silppuriterä. Katso *Terän vaihtaminen* sivulla 224.

## Käyttö

### Johdanto



**VAROITUS:** Lue turvallisuutta käsittelevä luku niin, että ymmärrät sen sisällön, ennen laitteen käyttämistä.

### Husqvarna Connect

Husqvarna Connect on ilmainen mobiililaitesovellus. Husqvarna Connect -sovellus saat lisätoimintoja Husqvarna-koneeseen:

- Enemmän tuotetietoja.
- Tietoja koneen osista ja huolto-ohjeita.

### Husqvarna Connect -käytön aloittaminen

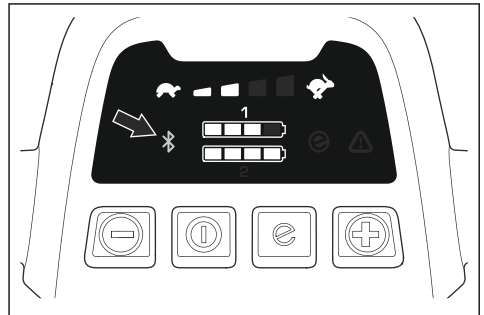
1. Lataa Husqvarna Connect -sovellus mobiililaitteeseesi.
2. Rekisteröi Husqvarna Connect -sovelluksessa.
3. Liitä ja rekisteröi laite Husqvarna Connect -sovelluksen ohjeiden mukaan.

**Huomautus:** Husqvarna Connect -sovellus ei ole ladattavissa kaikilla markkina-alueilla. Lisätietoja saat huoltoiliikkeestä.

### Bluetooth® (LC 347iVX, LC 353iVX)

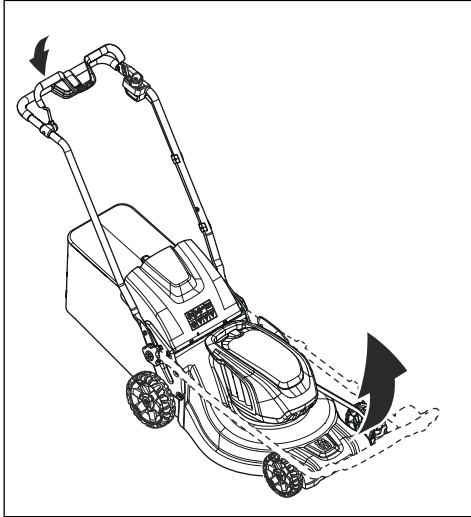
#### Langaton Bluetooth®-tekniikka

Langattoman *Bluetooth®*-tekniikan symboli syttyy, kun laitteeseen yhdistetään mobiililaite.

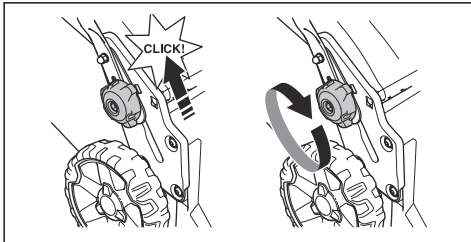


## Laiteen asettaminen käyttöasentoon

1. Taita kahva pystyasentoon.



2. Liu'uta nuppeja ylöspäin kahvaa kohti, kunnes ne pysähtyvät ja kuulet naksahduksen.



3. Kiristä nupit huolellisesti.



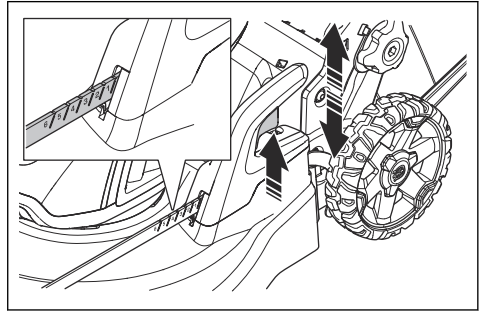
**VAROITUS:** Älä käytä laitetta, ellei aisa ole kokonaan taitettu ylös ja asetettu johonkin soveltuvaan korkeusasentoon. Katso kohta *Kahvan säätäminen sivulla 216*.

## Leikkuukorkeuden asettaminen

Leikkuukorkeuden säädössä on 6 tasoa.

1. Vähennä leikkuukorkeutta siirtämällä leikkuukorkeuden säätövipua alaspäin.

2. Lisää leikkuukorkeutta siirtämällä leikkuukorkeuden säätövipua ylöspäin.



**HUOMAUTUS:** Älä aseta leikkuukorkeutta liian alhaiseksi. Jos ruohikon pinta ei ole tasainen, terät voivat osua maahan.

## Akku



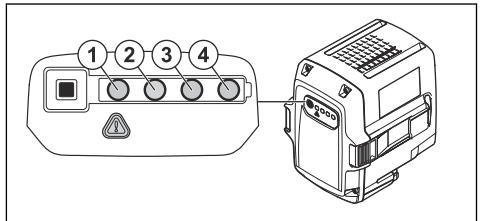
**VAROITUS:** Ennen kuin käytät akkua, lue turvallisuutta käsittelevä luku niin, että ymmärrät sen sisällön. Lue myös akun ja akkulaturin käyttöohje niin, että ymmärrät sen sisällön.

Säilytä akku ja laturi oikeassa lämpötilassa.

	Ympäristön lämpötila
Akun käyttö	5–40 °C
Akun lataaminen	5–40 °C

## Akun tila

Näyttö osoittaa akun varaustason ja mahdolliset akkuun liittyvät ongelmat. Akun varaustaso näytetään viiden sekunnin ajan tuotteen sammuttamisen tai akun varaustilan ilmaisen -painikkeen painamisen jälkeen. Virheen tapahtuessa akun varoitussymboli syttyy. Katso *Akku sivulla 225*.



LED-merkkivalot	Akun tila
Kaikki LED-merkkivalot palavat.	Täysin ladattu (75–100 %)

LED-merkkivalot	Akun tila
LED 1, LED 2 ja LED 3 palavat	Akun varaustaso on 50–75 %.
LED 1 ja LED 2 palavat	Akun varaustaso on 25–50 %.
LED 1 palaa	Akun varaustaso on 0–25 %.
LED 1 vilkkuu.	Akku on tyhjä. Lataa akku.

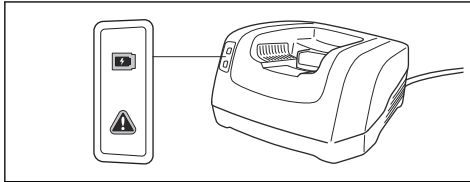
## Akun lataaminen

Lataa akku ennen ensimmäistä käyttökertaa. Akun varaus on toimitettaessa vain 30 %.

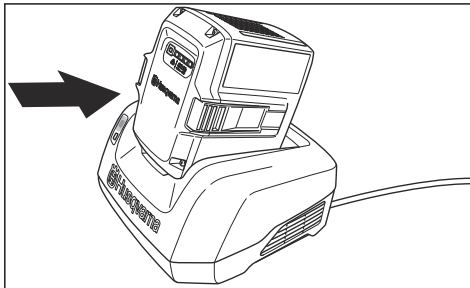
**Huomaus:** Akkulaturi on kytkettävä tyypikilven mukaiseen jännitteeseen ja taajuuteen.

Akku ei lataudu, jos akun lämpötila on yli 50 °C. Akkulaturi viilentää akkua ennen kuin se alkaa latautua.

1. Kytke akkulaturin virtajohdon toinen pää akkulaturin liitäntään.
2. Kytke sitten akkulaturin virtajohdon toinen pää maadoitettuun pistorasiaan. Akkulaturin vihreä merkkivalo vilkkuu kerran.



3. Aseta akku akkulaturiin. Laturin vihreä valo syttyy, kun akku on kytketty oikein akkulaturiin.



4. Kun akun kaikki LED-merkkivalot syttyvät, akku on ladattu täyteen. Lataa akkua enintään 24 tuntia.
5. Kun irrotat akkulaturin pistorasiasta, älä vedä johdosta, vaan pistokkeesta.
6. Irrota akku akkulaturista.

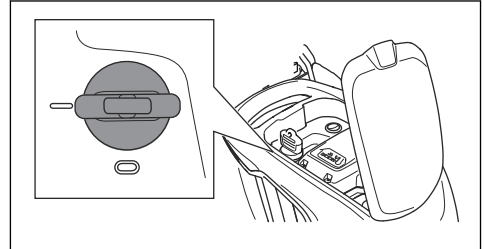
## Akun varaustila

Husqvarna-litiumioniakkua voi ladata tai käyttää sen varaustasosta riippumatta. Akku ei ole vaurioitunut. Täyteen ladattu akku ei menetä varaustaan, kun se jätetään laturiin.

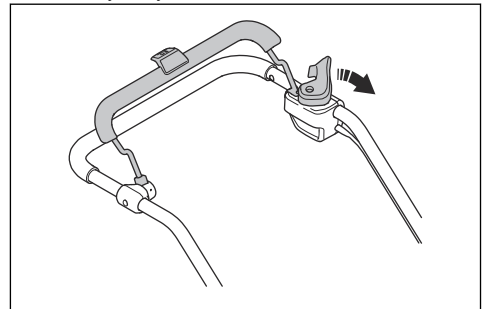
LED-näyttö	Varaustila
LED 1 vilkkuu.	0–25 %
LED 1 palaa, LED 2 vilkkuu	25–50 %
LED 1 ja LED 2 palavat ja LED 3 vilkkuu.	50–75 %
LED 1, LED 2 ja LED 3 palavat, LED 4 vilkkuu.	75–100 %
LED 1, LED 2, LED 3, LED 4 palavat	Täyteen ladattu

## Laitteen käynnistäminen (LC 247i)

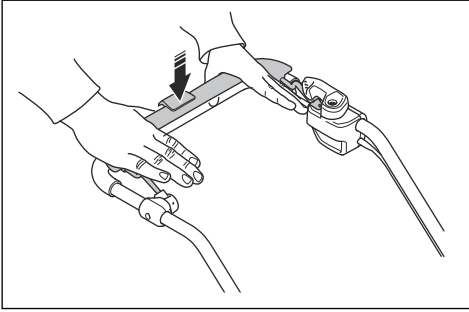
1. Avaa akun kansi.
2. Aseta ladattu akku yhteen akun pidikkeeseen. Pidentää käyttöaikaa asettamalla toinen ladattu akku toiseen akun pidikkeeseen.
3. Käännä turva-avain asentoon 1.



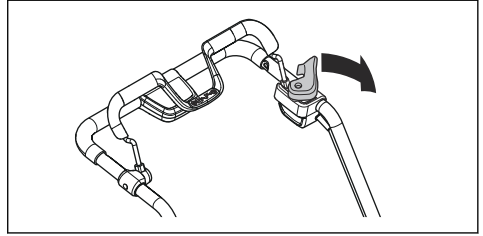
4. Seiso laitteen takana.
5. Avaa käynnistyskenesto.



6. Työnnä moottorin jarrukahvaa kahvaston suuntaan.

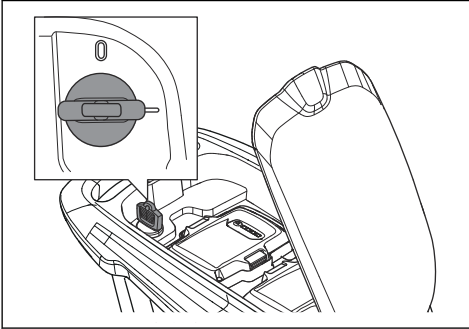


6. Avaa käynnistyksenesto.



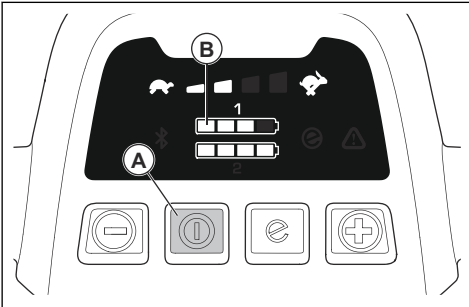
## Laitteen käynnistäminen (LC 347iVX, LC 353iVX)

1. Avaa akun kansi.
2. Aseta ladattu akku yhteen akun pidikkeeseen. Pidentää käyttöaikaä asettamalla toinen ladattu akku toiseen akun pidikkeeseen.
3. Käännä turva-avain asentoon 1.

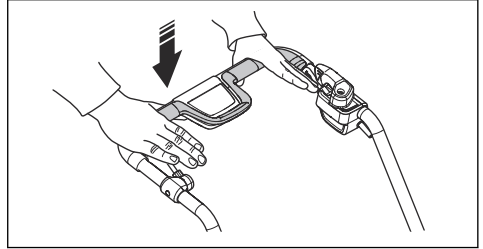


4. Seiso laitteen takana.

5. Paina ohjauspaneelin ON/OFF-virtapainiketta (A). Näyttö käynnistyy. Akun ilmaisin (B) näyttää kahden akun latauksen tilän. Käytössä olevan akun numero näytetään akun ilmaisimen vieressä. LC 347iVX, LC 353iVX-malleissa näytössä näkyy myös asetettu nopeus.

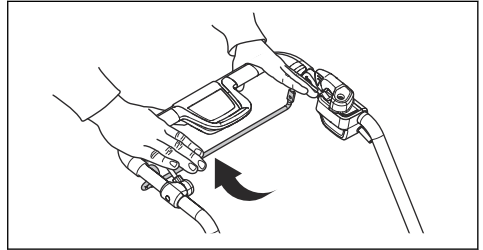


7. Työnnä moottorin jarrukahvaa kahvaston suuntaan.

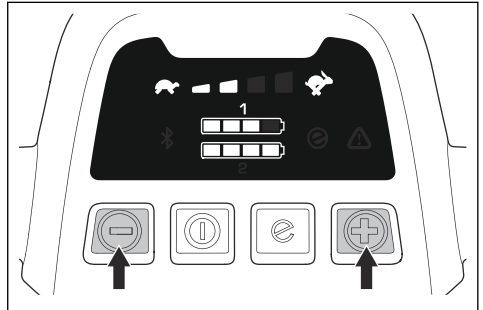


## Vetojärjestelmän käyttäminen pyörillä LC 347iVX, LC 353iVX

- Käynnistä veto vetämällä vetojärjestelmän sanka työntöaisan suuntaan.



- Voit säätää ajonopeutta neljän eri nopeuden välillä painamalla + tai - painikkeita ohjauspaneelissa.



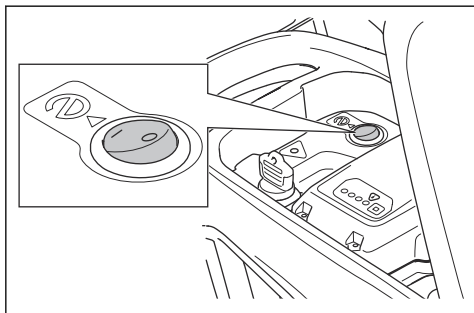
- Kytke vetojärjestelmä pois käytöstä vapauttamalla vetojärjestelmän sanka esimerkiksi lähestyessäsi estettä.



## SavE™-toiminnon käyttäminen (LC 247i)

Laitteessa on akkua säästävä toiminto (SavE™), joka pidentää käyttöaikaa.

- Käynnistä toiminto painamalla SavE™-painike asentoon 1.



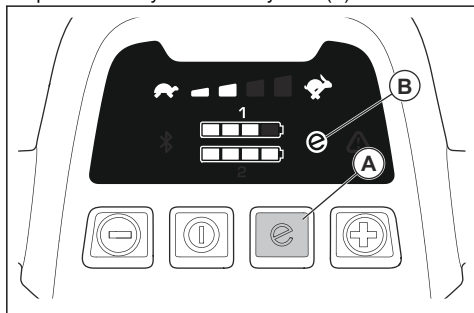
- Pysäytä toiminto painamalla SavE™-painike asentoon 0.

**Huomautus:** SavE™-toiminto sammuu automaattisesti, jos nurmikon olosuhteet vaativat suurempaa tehoa. SavE™-toiminto käynnistyy automaattisesti uudelleen, kun nurmikon olosuhteet sallivat sen.

## SavE™-toiminnon käyttäminen (LC 347iVX, LC 353iVX)

Laitteessa on akkua säästävä toiminto (SavE™), joka pidentää käyttöaikaa.

1. Käynnistä toiminto painamalla SavE™-painiketta (A). Näytön SavE™-symboli (B) syttyy.
2. Sammuta toiminto painamalla uudelleen SavE™-painiketta. Näytön SavE™-symboli (B) sammuu.



**Huomautus:** SavE™-toiminto sammuu automaattisesti, jos nurmikon olosuhteet vaativat suurempaa tehoa. SavE™-toiminto käynnistyy automaattisesti uudelleen, kun nurmikon olosuhteet sallivat sen.

## Suuri kuormitus -toiminto

Kun laitteella leikataan korkeaa tai märkää ruohoa, moottori lisää automaattisesti kierrosnopeutta. Moottori siirtyy takaisin normaaliin tilaan, kun suuri kuormitus ei ole tarpeen.

## Automaattinen uudelleenkäynnistys

Käytön aikana terä ja moottori voivat pysähtyä väliaikaisesti esimerkiksi leikkusuojuksen alla olevan ruohotukoksen vuoksi. Jos näin käy ja pidät moottorin jarrukahvaa painettuna alas, laite yrittää käynnistyä automaattisesti uudelleen. Jos laite ei käynnisty uudelleen viiden sekunnin kuluessa, leikkusuojuksen alus täytyy mahdollisesti puhdistaa. Katso kohta *Laitteen puhdistaminen sivulla 223*.



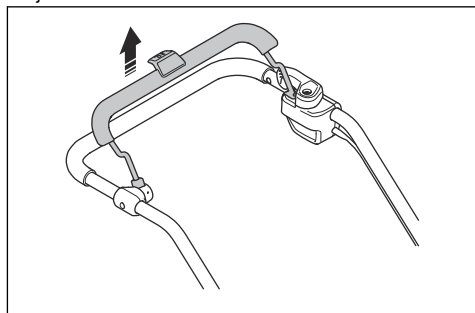
**VAROITUS:** Ennen kuin tarkistat leikkusuojuksen, vapauta moottorin jarrukahvaa, käännä turva-avain asentoon 0, irrota akku ja odota vähintään viisi sekuntia. Jos este poistetaan ja laite käynnistyy vahingossa, seurauksena on loukkaantumisvaara.

## Laitteen pysäyttäminen (LC 247i)

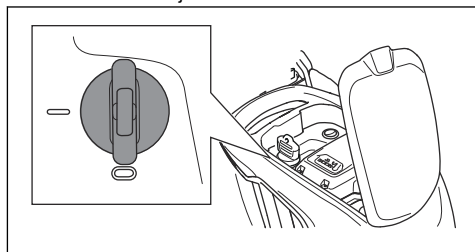


**VAROITUS:** Käännä turva-avain asentoon 0, ennen kuin jätät laitteen ilman valvontaa.

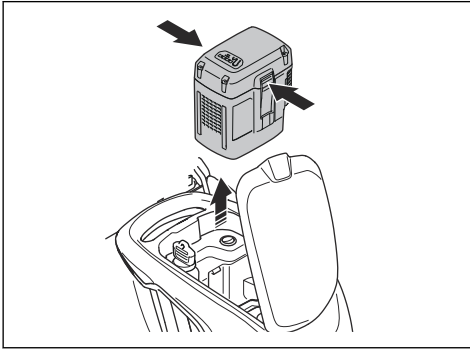
1. Pysäytä moottori vapauttamalla moottorin jarrukahvaa.



2. Avaa akun kansi ja käännä turva-avain asentoon 0.



3. Irrota akku painamalla kahta vapautuspainiketta ja vedä akku ulos.



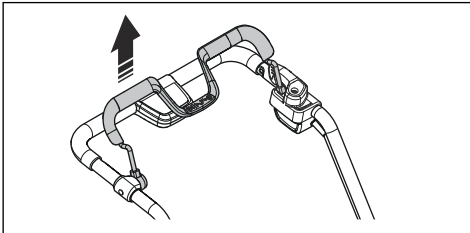
4. Lataa akku, jos sen lataustaso on alhainen. Katso lisätietoja kohdasta *Akun lataaminen* sivulla 219.

## Laitteen pysäyttäminen (LC 347iVX, LC 353iVX)

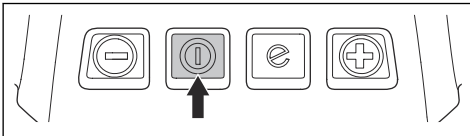


**VAROITUS:** Käännä turva-avain asentoon 0, ennen kuin jätät laitteen ilman valvontaa.

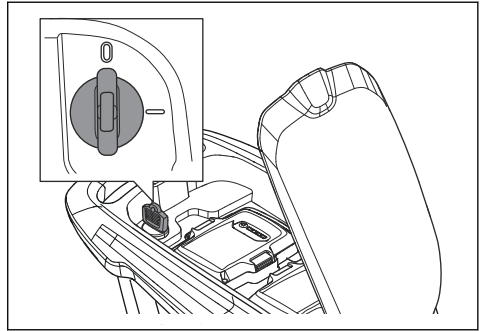
1. Pysäytä moottori vapauttamalla moottorin jarrukahva.



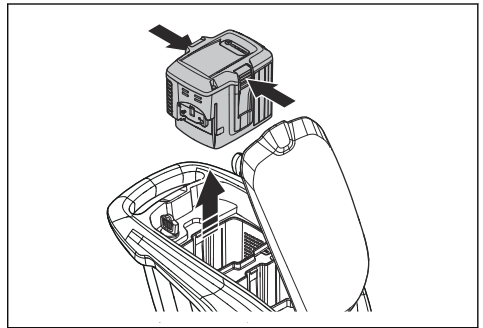
2. Paina ohjauspaneelin ON/OFF-virtapainiketta. Kaikki näytön merkivalot ja symbolit sammuvat.



3. Avaa akun kansi ja käännä turva-avain asentoon 0.



4. Irrota akku painamalla kahta vapautuspainiketta ja vedä akku ulos.



5. Lataa akku, jos sen lataustaso on alhainen. Katso lisätietoja kohdasta *Akun lataaminen* sivulla 219.

**Huomautus:** Laitteen virta kytkeytyy automaattisesti pois, jos sitä ei käytetä muutamaan minuuttiin. Käynnistä laite uudelleen, katso *Laitteen käynnistäminen* (LC 347iVX, LC 353iVX) sivulla 220.

## Hyvän tuloksen saavuttaminen

- Käytä aina hyvin teroitettua terää. Tylsä terä leikkaa epätasaisesti ja ruohosta tulee keltaista leikatun pinnan kohdalta. Hyvin teroitettu terä käyttää myös tylsää terää vähemmän energiaa.
- Älä leikkaa enempää kuin 1/3 ruohon pituudesta. Aseta leikkuukorkeus ensimmäisellä leikkuukerralla korkeaksi. Tutkittuasi leikkuutuloksen voit laskea leikkuukorkeuden haluamillesi tasolle. Jos ruoho on erittäin pitkää, kulje hitaasti ja leikkaa nurmikko tarvittaessa kaksi kertaa.
- Leikkaa joka kerta eri suuntiin, jotta nurmikkoon ei tule raitoja.
- Pidä leikkuusuojus puhtaana. Leikkuusuojuksen sisäpuolelle kertynyt ruoho ja lika voivat heikentää leikkuutuloksia. Katso kohta *Laitteen puhdistaminen* sivulla 223.

## Ruohon leikkaaminen ilman kiinnitettyä ruohonkerääjää tai silppurin tulppaa

- Nosta takasuojus ylös ja irrota ruohonkerääjä.

- Jos silppurin tulppa ja silppuamisterä on kiinnitetty, irrota ne.
- Sulje takasuojus ennen laitteen käyttämistä.

Kun käytät laitetta, ruohosilppu purkautuu takasuojuksen alle.

## Huolto

### Johdanto



**VAROITUS:** Ennen minkäänlaisten huoltotöiden aloittamista sinun on luettava turvallisuutta käsittelevä luku niin, että ymmärrät sen sisällön.

Kaikkiin tuotteelle tehtäviin huolto- ja korjaustöihin tarvitaan erityiskoulutus. Takaamme, että tuotteemme huolletaan ja korjataan ammattimaisesti. Jos jälleenmyyjäsi ei ole huoltoliike, pyydä jälleenmyyjää neuvomaan lähin huoltoliike.

Katso lisätietoja kohdasta [www.husqvarna.com](http://www.husqvarna.com).

### Huoltokaavio

Huoltovälit on laskettu laitteen päivittäisen käytön perusteella. Välit voivat muuttua, jos laitetta ei käytetä päivittäin.

Saat lisätietoja \*-merkillä merkityistä huolloista kohdasta *Turvallisuus sivulla 210*.

	Jokaisella käyttökerralla	Kuukausittain	Kerran käyttökäudessa
Tee yleistarkastus.	X		
Puhdista laite.	X		
Tarkista käynnistyksenesto *	X		
Varmista, että tuotteen turvalaitteissa ei ole vikoja *	X		
Tarkista terävarustus.	X		
Tarkista leikkuusuojus*.	X		
Tarkista moottorin jarrukahva *	X		
Tarkista, että virtapainike toimii oikein eikä se ole viallinen	X		
Tarkista akku vaurioiden varalta	X		
Tarkista akun varaustila	X		
Tarkista, että akun vapautuspainikkeet toimivat oikein ja että akku lukittuu laitteeseen	X		
Tarkista akkulaturi vaurioiden varalta ja varmista, että se toimii oikein		X	
Tarkista akun ja laitteen väliset kytkennät. Tarkista myös akun ja akkulaturin välinen kytkentä.			X

### Yleistarkastus

- Varmista, että tuotteen kaikki ruuvit ja mutterit on kiristetty.
- Varmista, että laitteen kaapelit on asennettu siten, että ne eivät vahingoitu.

### Laitteen puhdistaminen

- Puhdista muoviosat puhtaalla ja kuivalla liinalla.
- Älä käytä vettä, kun puhdistat laitetta. Vesi voi päästä akkuun tai moottoriin ja vaurioittaa laitetta tai aiheuttaa oikosulun.
- Älä käytä laitteen puhdistamiseen painepesuria.
- Älä suihkuta vettä suoraan moottorin päälle.

- Poista lehdet, ruoho ja lika harjalla.

## Akun ja akkulaturin puhdistaminen



**VAROITUS:** Älä pese akkua tai akkulaturia vedellä.

- Varmista, että akku ja akkulaturi ovat puhtaita ja kuivia ennen kuin laitat akun akkulaturiin.
- Puhdista akun liittimet paineilmalla tai pehmeällä, kuivalla liinalla.
- Puhdista akun ja akkulaturin pinnat pehmeällä, kuivalla liinalla.

## Terävarustuksen tarkistaminen



**VAROITUS:** Jotta kone ei käynnisty vahingossa, käännä turva-avain asentoon 0, irrota akku ja odota vähintään viisi sekuntia.



**VAROITUS:** Käytä suojakäsineitä huoltaessasi terävarustusta. Terä on erittäin terävä ja aiheuttaa helposti haavoja.

1. Tutki terävarustus vaurioiden tai halkeamien varalta. Vaurioitunut terävarustus on aina vaihdettava.
2. Tarkista, onko terä vaurioitunut tai tylsä.

**Huomautus:** Terä on tasapainotettava oikein teroituksen jälkeen. Anna huoltoliikkeen teroittaa, vaihtaa ja tasapainottaa terä. Jos osut esteeseen niin, että tuote pysähtyy, vaihda vaurioitunut terä. Anna huoltoliikkeen arvioida, voiko terän teroittaa vai onko se vaihdettava.

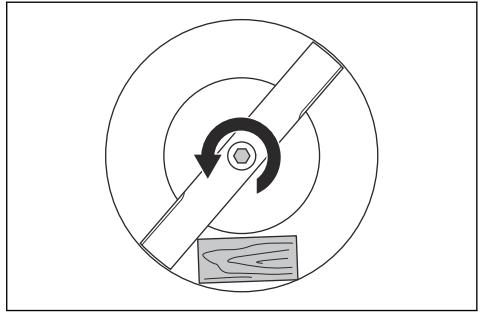
## Terän vaihtaminen

Katso oikea terätyyppi kohdasta *Tekniset tiedot sivulla 228*.

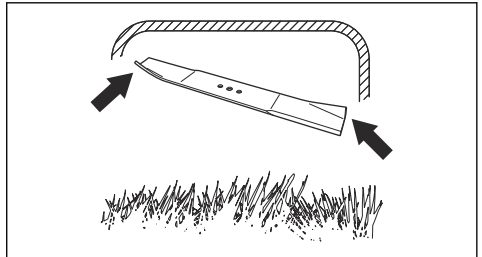


**VAROITUS:** Lukitse terä puukiilalla, jotta sormet eivät pääse vahingoittumaan terää vaihdettaessa. Terää voi liikuttaa, kun moottori on sammutettu, ja sormet voivat jäädä terän ja liikkumattomien osien väliin.

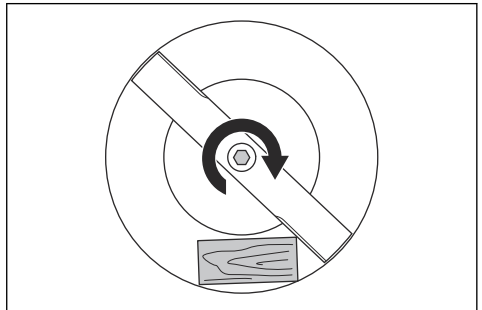
1. Lukitse terä puukiilalla.



2. Irrota teräpultti.
3. Irrota terä.
4. Tutki terän tuki ja teräpultti vaurioiden varalta.
5. Tutki moottorin akseli ja varmista, ettei se ole vääntynyt.
6. Asenna uusi terä siten, että terän kulmikkaat päät osoittavat leikkuusuojuksen suuntaan.



7. Varmista, että terä on kohdistettu moottorin akselin keskiosan kanssa.
8. Lukitse terä puukiilalla. Kiinnitä jousialuslevy paikalleen ja kiristä pultti ja aluslevy momenttiin 23–28 Nm.



9. Pyöritä terää käsin ja varmista, että se pyöri vapaasti.



**VAROITUS:** Käytä työrukkasia. Terä on erittäin terävä ja aiheuttaa helposti haavoja.

10. Testaa terää käynnistämällä laite. Jos terä ei ole kiinnitetty asianmukaisesti, laite tärisee tai sen leikkuutulokset eivät ole tyydyttäviä.

## Vianmääritys

### Akku

Akun merkkivalo	Syy	Ratkaisu
Vihreä merkkivalo vilkkuu	Akun jännite on alhainen.	Lataa akku. Katso kohta <i>Akun lataaminen sivulla 219</i> .
Vian merkkivalo vilkkuu.	Akun varaus on heikko.	Lataa akku. Katso kohta <i>Akun lataaminen sivulla 219</i> .
	Työympäristön lämpötila on liian korkea tai liian matala.	Käytä akkua 5–40 °C:n lämpötilassa.
	Ylijännite.	Varmista, että verkkojännite vastaa laitteeseen kiinnitettyssä arvokilvessä ilmoitettua jännitettä.  Irrota akku akkulaturista. Odota viisi sekuntia ja yritä ladata akkua uudelleen. Jos ongelma jatkuu, ota yhteys hyväksytyyn huoltoliikkeeseen.
Vian merkkivalo palaa.	Akkukennoston väli liian suuri (1 V).	Ota yhteys valtuutettuun huoltoliikkeeseen.

### Akkulaturi

Akkulaturin merkki- valo	Syy	Ratkaisu
Vian merkkivalo vilkkuu.	Työympäristön lämpötila on liian korkea tai liian matala.	Käytä akkulaturia 5–40 °C:n lämpötilassa.
Vian merkkivalo palaa.		Ota yhteys valtuutettuun huoltoliikkeeseen.

### Ruohonleikkurit

Varoitusmerkkivalo (vian merkkivalo) näkyy akun kannen alla ((LC 247i)) tai ohjauspaneelissa ((LC 347iVX, LC 353iVX)).

Vika	Vian merkkivalo (vilkkahdusten määrä)	Syy	Ratkaisu
Vian merkkivalo vilkkuu. Laite ei toimi oikein.	3	Terä on jumissa.	Käännä turva-avain asentoon 0, jotta laite ei käynnisty vahingossa. Irrota akku ja odota vähintään 5 sekuntia. Poista mahdolliset esteet ja varmista, että terä pyörii vapaasti. Jos ongelma jatkuu, ota yhteys hyväksytyyn huoltoliikkeeseen.
	5	Moottorin nopeus laskee liian kauan.	Nosta leikkuukorkeutta. Katso kohta <i>Leikkuukorkeuden asettaminen sivulla 218.</i>
	6 <sup>33</sup>	Pyörä tai voimansiirto on tukkeutunut.	Käännä turva-avain asentoon 0, jotta laite ei käynnisty vahingossa. Irrota akku ja odota vähintään 5 sekuntia. Poista mahdolliset esteet ja varmista, että pyörät pyörivät vapaasti. Jos ongelma jatkuu, ota yhteys hyväksytyyn huoltoliikkeeseen.
	10	Moottorin ohjaus on liian kuumaa.	Sammuta moottori ja odota, että se jäähtyy.
Vian merkkivalo vilkkuu. Laite pysähtyy.	0	Akkuliitinvika.	Tarkista akkuliitin.
	3	Moottori on ylikuormittunut.	Nosta leikkuukorkeutta. Katso kohta <i>Leikkuukorkeuden asettaminen sivulla 218.</i>
	8	Akun varaus on heikko.	Lataa akku. Katso kohta <i>Akun lataaminen sivulla 219.</i>
	9	Akkuvika tai akusta ei saada signaalia.	Aseta akku laitteeseen oikein ja tarkista akkuliitin. Jos akun vian merkkivalo vilkkuu. Katso kohta <i>Akku sivulla 225.</i>
	12	Väärä käynnistysmenettely. Moottorin jarrukahva on kytketty ennen moottorin käynnistymistä.	Vapauta moottorin jarrukahva ja odota noin 5 sekuntia. Käynnistä laite painamalla moottorin jarrukahva uudelleen alas.
Muut virheet.	Jos muita virheitä ilmenee, käännä turva-avain asentoon 0, irrota akku ja ota yhteys valtuutettuun huoltoliikkeeseen.		

## Kuljettaminen, säilyttäminen ja hävittäminen

### Johdanto



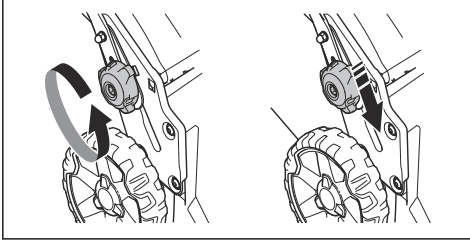
**VAROITUS:** Jotta kone ei käynnisty vahingossa kuljetuksen aikana, käännä turva-avain asentoon 0, irrota akku ja odota vähintään viisi sekuntia.

### Tuotteen asettaminen kuljetusasentoon

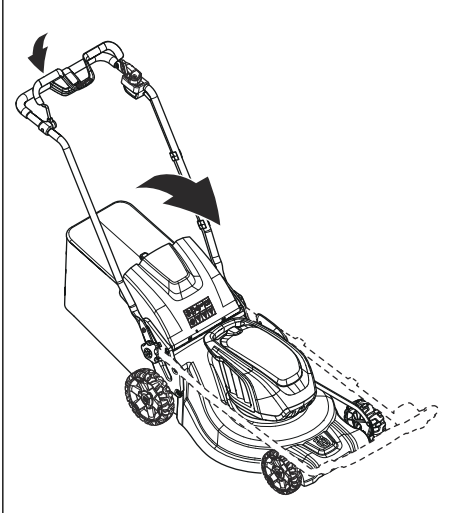
1. Irrota alemmat nupit.

<sup>33</sup> LC 347iVX, LC353iVX

2. Liu'uta nupit urien alaosaan laitteen molemmin puolin.



3. Taita kahva eteen.



4. Irrota ruohonkerääjä.

## Kuljettaminen

- Vaarallisten aineiden lainsäädännön määräykset koskevat tuotteessa olevia litiumioniakkuja.
- Tavarakuljetuksessa on noudatettava pakkausta ja merkintöjä koskevia erityismääräyksiä.
- Muista noudattaa vaarallisia aineita koskevia määräyksiä, kun valmistelet laitetta kuljetukseen. Myös mahdollisia paikallisia määräyksiä on noudatettava.
- Irrota akku aina kuljetuksen ajaksi.
- Teippaa akkuliittimet ja varmista, että akku ei pääse liikkumaan kuljetuksen aikana.
- Kiinnitä laite kuljetuksen ajaksi.

## Säilytys

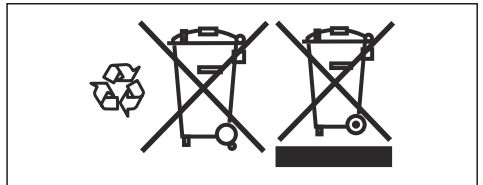
- Anna laitteen jäähtyä ennen varastointia.

- Irrota akku aina säilytyksen ajaksi.
- Onnettomuuksien välttämiseksi varmista, ettei akku ole kytkettynä laitteeseen säilytyksen aikana.
- Säilytä akkulatoria ainoastaan suljetussa ja kuivassa paikassa.
- Säilytä akkua ja akkulatoria kuivassa paikassa, jossa lämpötila ei laske pakkasen puolelle.
- Irrota akku akkulatorista varastoinnin ajaksi.
- Älä säilytä akkua paikassa, jossa on staattista sähköä. Älä säilytä akkua metallilaatikossa.
- Säilytä laitetta paikassa, jonka lämpötila on  $-10...40$  °C.
- Säilytä akkua  $5-25$  °C:n lämpötilassa ja poissa suorasta auringonvalosta.
- Säilytä akkulatoria  $5-45$  °C:n lämpötilassa ja poissa suorasta auringonvalosta.
- Varmista, että akun varaustaso on 30–50 % ennen pitkäaikaista säilytystä.
- Säilytä laitetta, akkua ja akkulatoria lukitussa tilassa lasten ja asiaankuulumattomien henkilöiden ulottumattomissa.
- Puhdista laite ja varmista, että ruohonkerääjä on tyhjä.
- Huolla tuote ainoastaan käyttöohjekirjassa annettujen ohjeiden mukaisesti. Katso kohta *Huolto sivulla 223*.
- Tee täysi huolto ennen pitkäaikaista säilytystä.

## Hävittäminen

Laitteessa tai sen pakkauksessa olevat symbolit osoittavat, ettei laitetta saa hävittää kotitalousjätteen mukana. Se on toimitettava asianmukaiseen sähkö- ja elektroniikkalaitteiden keräyspisteeseen.

Varmistamalla laitteen asianmukaisen hävittämisen autat vähentämään mahdollisia negatiivia ympäristövaikutuksia, joita tämän laitteen virheellisestä hävittämisestä koituisi. Lisätietoja tämän laitteen kierrätyksestä saat ottamalla yhteyden kotikuntasi viranomaisiin, jätahuoltoon tai laitteen myyneeseen liikkeeseen.



## Tekniset tiedot

### Tekniset tiedot

	LC 247i	LC 347iVX	LC 353iVX
<b>Leikkumoottori</b>			
Moottorityyppi	BLDC (harjaton) 36 V	BLDC (harjaton) 36 V	BLDC (harjaton) 36 V
Moottorin nopeus – SavE, r/min	2 600/min	2 600/min	2 600/min
Moottorin nopeus – nimellinen, r/min	3 000/min	3 000/min	3 000/min
Moottorin nopeus – suuri kuormitus, r/min	3500/min	3500/min	3500/min
Moottorin teho – enintään, kW	0,96	0,96	1,05
Moottorin teho – nimellinen, kW	0,75	0,75	0,9
<b>Ajomootori</b>			
Moottorin teho – nimellinen, kW	–	0,25	0,25
Liikkumisnopeus, km/h	–	3,0-4,5	3,0-4,5
Nopeuden säätötasot	–	4	4
<b>Paino</b>			
Paino ilman laukkaa (ilman akkua), kg	24,5	26	28
Paino laukun kanssa (sis. 2 x BLi30), kg	30,5	32,0	34,5
<b>Akku</b>			
Akkutyyppe	Husqvarna-akkusarja		
<b>Akun käyttöaika</b>			
Akun käyttöaika, min. (vapaa käyttö) SavE-toiminto käytössä, yksi 7,7 Ah:n Husqvarna-akku (BLi30).	62	62	46
Akun käyttöaika, min. (vapaa käyttö) normaali tila käytössä, yksi 7,7 Ah:n Husqvarna-akku (BLi30).	43	43	28
<b>Melupäästöt</b> <sup>34</sup>			
Äänen tehotasot, mitattu dB(A)	94	94	97
Äänen tehotasot, taattu L <sub>WA</sub> dB(A)	95	95	98
<b>Äänitasot</b> <sup>35</sup>			
Äänenpainetasot käyttäjän korvan tasalla, dB(A)	82	82	86
<b>Tärinätasot</b> <sup>36</sup>			

<sup>34</sup> Melupäästö ympäristöön äänitehona (L<sub>WA</sub>) EY-direktiivin 2000/14/EY mukaisesti mitattuna.

<sup>35</sup> Äänenpainetasot ilmoitettujen tietojen tyypillinen epävarmuus on K eli 1,5 dB(A).

<sup>36</sup> Ilmoitettujen tärinätasojen epävarmuus on K eli 1,5 m/s<sup>2</sup>. Ilmoitettu tärinän kokonaisarvo on mitattu standardin EN 62841-4-3 liitteen I mukaisesti, ja sen avulla laitteita voi verrata keskenään ja sitä voi käyttää myös alitistuksen alustavassa arvioinnissa.



	LC 247i	LC 347IVX	LC 353IVX
Kahva, m/s <sup>2</sup>	0,42	0,42	2,64
<b>Terälaite</b>			
Leikkuukorkeus, mm	20–75 mm	20–75 mm	20–75 mm
Leikkuuleveys, cm	47	47	53
Terä, vakio	Keruulaite 5905934-10	Keruulaite 5905934-10	Keruulaite 5940757-10
Terälisävaruste	Silppuava 5907010-10	Silppuava 5907010-10	Silppuava 5950072-10
Ruohonkerääjän tilavuus litroina	55	55	60

Bluetooth®-yhteyden radiotaajuuden tiedot	LC 247i	LC 347IVX	LC 353IVX
Taajuuskaista, GHz	–	2,4–2,4835	2,4–2,4835
Enimmäislähtöteho, dBm	–	4	4

Hyväksytyt akut	Tyyppi	Akun kapasiteetti, Ah	Jännite, V	Paino, kg
BLi20	Litiumioni	4,0	36	1,2
BLi30	Litiumioni	7,7	36	1,9

Hyväksytyt laturit tietyille BLI-akulle	Tulojännite, V	Taajuus, Hz	Teho, W
QC80	100-240	50–60	80
40-C80	100-240	50–60	68,8
QC250	100-240	50–60	250

# Vaatimustenmukaisuusvakuutus

## EU-vaatimustenmukaisuusvakuutus

Husqvarna AB, SE-561 82 Huskvarna, Ruotsi, puh. +46  
36 146500, vakuuttaa täten, että tuote:

<b>Kuvaus</b>	Ruohonleikkurit
<b>Tuotemerkki</b>	Husqvarna
<b>Tyyppi/malli</b>	LC 247i
<b>Tunnusmerkit</b>	Sarjanumerot vuodesta 2021 alkaen

vastaa täysin seuraavien EU:n direktiivien ja asetusten vaatimuksia:

Direktiivi/asetus	Kuvaus
2006/42/EY	konedirektiivi
2014/30/EU	EMC-direktiivi
2000/14/EY	Melupäästädirektiivi
2011/65/EU	Direktiivi tiettyjen vaarallisten aineiden käytön rajoittamisesta sähkö- ja elektroniikkalaitteissa

ja että asiassa sovelletaan seuraavia standardeja ja/tai teknisiä tietoja: EN 62841-1:2015+AC:2015, EN 62841-4-3:2021+A11:2021, EN ISO 12100:2010, EN 55014-1:2017+A11:2020, EN 55014-2:2015, EN IEC 63000:2018.

Ilmoitettu tarkastuslaitos: 0404, RISE SMP Svensk Maskinprovning AB, Box 7035, SE-750 07 Uppsala vakuuttaa yhdenmukaisuuden neuvoston direktiivin 2000/14/EY mukaisesti, vaatimustenmukaisuuden arviointimenettely: liite VI.

Katso lisätietoja melupäästöistä osiosta *Tekniset tiedot sivulla 228*.

Huskvarna, 2021-12-01



Claes Losdal, kehityspäällikkö/puutarhatuotteet,  
Husqvarna AB

Teknisestä dokumentaatiosta vastaava edustaja



## EU-vaatimustenmukaisuusvakuutus

Husqvarna AB, SE-561 82 Huskvarna, Ruotsi, puh. +46  
36 146500, vakuuttaa täten, että tuote:

<b>Kuvaus</b>	Ruohonleikkurit
<b>Tuotemerkki</b>	Husqvarna
<b>Tyyppi/malli</b>	LC 347iVX, LC 353iVX
<b>Tunnusmerkit</b>	Sarjanumerot vuodesta 2021-12-01 alkaen

vastaa täysin seuraavien EU:n direktiivien ja asetusten vaatimuksia:

<b>Direktiivi/asetus</b>	<b>Kuvaus</b>
2006/42/EY	konedirektiivi
2014/53/EU	Radiolaitteita koskeva direktiivi
2000/14/EY	Melupäästädirektiivi
2011/65/EU	Direktiivi tiettyjen vaarallisten aineiden käytön rajoittamisesta sähkö- ja elektroniikkalaitteissa

ja että asiassa sovelletaan seuraavia standardeja ja/tai teknisiä tietoja: EN 62841-1:2015+AC:2015, EN 62841-4-3:2021+A11:2021, EN ISO 12100:2010, EN 55014-1:2017+A11:2020, EN 55014-2:2015, EN IEC 63000:2018, EN ETSI 300 328 v.2.2.2, EN 50663: 2017, ETSI EN 301 489-1 V2.2.3, ETSI EN 301 489-17 V3.2.4.

Ilmoitettu tarkastuslaitos: 0404, RISE SMP Svensk Maskinprovning AB, Box 7035, SE-750 07 Uppsala vakuuttaa yhdenmukaisuuden neuvoston direktiivin 2000/14/EY mukaisesti, vaatimustenmukaisuuden arviointimenettely: liite VI.

Katso lisätietoja melupäästöistä osiosta *Tekniset tiedot sivulla 228*.

Huskvarna, 2021-12-01



Claes Losdal, kehityspäällikkö/puutarhatuotteet,  
Husqvarna AB

Teknisestä dokumentaatiosta vastaava edustaja



---

## Rekisteröidyt tavaramerkit

---

Bluetooth®-sanamerkki ja -logot ovat Bluetooth  
SIG, inc.:n omistamia rekisteröityjä tavaramerkkejä.  
Husqvarna käyttää kyseisiä merkkejä luvanvaraisesti.

---

## Sommaire

---

Introduction.....	232	Dépannage.....	250
Sécurité.....	235	Transport, entreposage et mise au rebut.....	253
Montage.....	241	Caractéristiques techniques.....	254
Utilisation.....	242	Déclaration de conformité.....	257
Entretien.....	248	Marques déposées.....	258

---

## Introduction

---

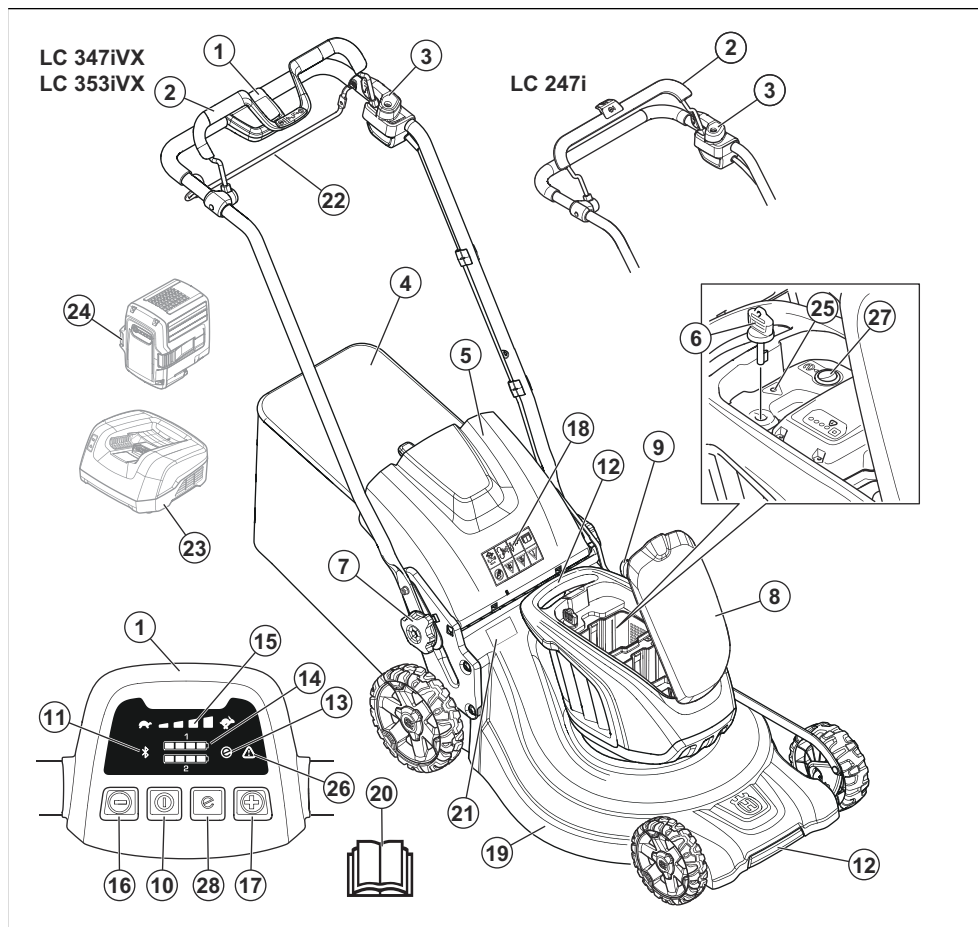
### Description du produit

Le produit est une tondeuse rotative à pousser. L'herbe est recueillie dans un collecteur d'herbe. Retirez le collecteur d'herbe pour permettre l'éjection arrière de l'herbe. Fixez un kit de mulching (accessoire) pour broyer l'herbe et la transformer en engrais.

### Utilisation prévue

Utilisez le produit pour couper l'herbe. N'utilisez pas ce produit pour d'autres travaux.

## Aperçu du produit



- |  |   |
|--|---|
| 1. Panneau de commande (LC 347iVX, LC 353iVX)            | 15. Témoin de niveau de la vitesse (LC 347iVX, LC 353iVX)         |
| 2. Poignée de frein moteur                               | 16. Bouton de décrémentation de la vitesse (LC 347iVX, LC 353iVX) |
| 3. Antidémarrage   | 17. Bouton d'incrémentation de la vitesse (LC 347iVX, LC 353iVX)  |
| 4. Collecteur d'herbe                                    | 18. Symboles  |
| 5. Couvercle arrière                                     | 19. Capot de coupe  |
| 6. Clé de sécurité                                       | 20. Manuel de l'opérateur   |
| 7. Bouton de poignée                                     | 21. Plaque d'identification                                       |
| 8. Capot de la batterie                                  | 22. Manette de commande (LC 347iVX, LC 353iVX)                    |
| 9. Commande de réglage de la hauteur de coupe            | 23. Chargeur de batterie (accessoire)                             |
| 10. bouton ON/OFF  | 24. Batterie (accessoire)   |
| 11. Indicateur de technologie sans fil <i>Bluetooth®</i> | 25. LED d'erreur (LC 247i)  |
| 12. Poignées de levage                                   | 26. LED d'erreur (LC 347iVX, LC 353iVX)                           |
| 13. Indicateur SavE                                      |   |
| 14. Indicateur de batterie                               |   |

27. Bouton SavE (LC 247i)  
28. Bouton SavE (LC 347iVX, LC 353iVX)

## Symboles concernant le produit



AVERTISSEMENT



Lisez les instructions.



AVERTISSEMENT - Prenez garde aux projections d'objets.



Éloignez les personnes à proximité.



AVERTISSEMENT - Maintenez vos mains et vos pieds à distance des lames.



AVERTISSEMENT - Débranchez la batterie avant l'entretien.



Le produit ou son emballage ne font pas partie des ordures ménagères. Déposez-le dans une station de recyclage pour équipements électriques et électroniques.



Le produit est conforme aux directives CE en vigueur.



Étiquette d'émissions sonores dans l'environnement, conformément aux directives et réglementations de l'UE et du Royaume-Uni. Le niveau de puissance sonore garanti du produit est spécifié à

la section *Caractéristiques techniques* à la page 254 et sur l'étiquette.

## IPX1

Le produit est protégé contre les gouttes d'eau.



Relâchez la poignée de frein moteur pour arrêter.



QR code

**Remarque:** Les autres symboles/autocollants présents sur le produit concernent des exigences de certification spécifiques à certains marchés.

## Étiquette sur le produit



DANGER - Gardez les mains et les pieds à l'écart.

## Responsabilité

Conformément à la loi sur la responsabilité du fait des produits, nous déclinons toute responsabilité pour tout dommage causé par notre produit si :

- le produit n'est pas correctement réparé ;
- le produit est réparé avec des pièces qui ne proviennent pas du fabricant ou qui ne sont pas homologuées par le fabricant ;
- le produit est équipé d'un accessoire qui ne provient pas du fabricant ou qui n'est pas homologué par le fabricant ;
- le produit n'est pas réparé par un centre d'entretien agréé ou par une autorité homologuée.

## Définitions de sécurité

Des avertissements, des recommandations et des remarques sont utilisés pour souligner des parties spécialement importantes du manuel.



**AVERTISSEMENT:** Symbole utilisé en cas de risque de blessures ou de mort pour l'opérateur ou les personnes à proximité si les instructions du manuel ne sont pas respectées.



**REMARQUE:** Symbole utilisé en cas de risque de dommages pour le produit, d'autres matériaux ou les environs si les instructions du manuel ne sont pas respectées.

**Remarque:** Symbole utilisé pour donner des informations supplémentaires pour une situation donnée.

## Consignes générales de sécurité des produits



**AVERTISSEMENT:** Lisez l'ensemble des avertissements de sécurité, des consignes, des illustrations et des spécifications fournies avec ce produit. Le non-respect des consignes énumérées ci-dessous peut être à l'origine d'un choc électrique, d'un incendie et/ou de blessures graves.

**Conservez toutes ces consignes et instructions pour toute consultation ultérieure.** Le terme « produit » utilisé dans les avertissements fait référence à votre produit sur secteur (filaire) ou à votre produit alimenté par batterie (sans fil).

## Sécurité dans l'espace de travail

- **Maintenez un espace de travail propre et bien éclairé.** Les espaces encombrés ou sombres exposent à des accidents.
- **Ne l'utilisez pas dans des atmosphères explosives, en présence de gaz, de poussières ou de liquides inflammables par exemple.** Le produit provoque des étincelles qui peuvent enflammer la poussière ou les vapeurs.
- **Tenez les enfants et les spectateurs à distance lorsque le produit est en marche.** Un moment d'inattention peut vous faire perdre le contrôle.

## Sécurité électrique

- **Les fiches des produits doivent être compatibles avec la prise. N'apportez jamais de modifications à la fiche. N'utilisez pas d'adaptateurs avec des produits mis à la terre.** Des fiches non modifiées et des prises compatibles réduisent le risque de choc électrique.
- **Évitez tout contact physique avec les surfaces mises à la terre telles que les tuyaux, les radiateurs, les cuisinières et les réfrigérateurs.** Le risque d'électrocution est plus important si le corps est relié à la terre.
- **Protégez les produits de la pluie et de l'humidité.** Toute infiltration d'eau dans un produit augmente le risque d'électrocution.
- **Ne malmenez pas le cordon. N'utilisez jamais le cordon pour porter, tirer ou débrancher le produit. Maintenez le cordon d'alimentation à l'écart de la chaleur, de bords tranchants ou de pièces en mouvement.** Les fils endommagés ou emmêlés augmentent le risque de choc électrique.
- **Lorsqu'un produit est utilisé en extérieur, installez une rallonge adaptée à un usage extérieur.** L'utilisation d'un cordon d'alimentation pour usage extérieur réduit le risque d'électrocution.
- **Si vous n'avez pas d'autre choix que d'utiliser un produit dans un endroit humide, utilisez une alimentation protégée par un disjoncteur différentiel de fuite à la terre (RCD).** L'utilisation d'un RCD réduit le risque de choc électrique.

## Sécurité du personnel

- **Restez attentif, regardez ce que vous faites et ayez recours à votre bon sens lorsque vous utilisez un produit. N'utilisez pas un produit si vous êtes fatigué ou sous l'emprise de drogues, d'alcool ou de médicaments.** Un moment d'inattention pendant l'utilisation des produits peut entraîner des blessures corporelles graves.
- **Utilisez un équipement de protection personnelle. Travaillez toujours avec des lunettes de protection.** Les équipements de protection tels que le masque anti-poussière, les chaussures de sécurité antidérapantes, le casque ou le protège-oreilles utilisés dans des conditions appropriées réduisent les blessures corporelles.
- **Évitez tout démarrage intempestif. Vérifiez que l'interrupteur est en position d'arrêt avant de brancher le produit sur l'alimentation et/ou la batterie, de le ramasser ou de le transporter.** Le fait de garder le doigt sur l'interrupteur pendant le transport des produits ou de mettre les produits sous tension alors que l'interrupteur est en position de marche entraîne un risque d'accident.
- **Retirez toute clé ou clavette de réglage avant de mettre le produit sous tension.** Une clé ou une

clavette reliée à une pièce rotative du produit peut entraîner des blessures corporelles.

- **Ne vous éloignez pas trop. Restez toujours en équilibre et sur vos appuis.** Cela favorise le contrôle du produit dans les situations inattendues.
- **Habillez-vous correctement. Ne portez jamais de vêtements amples ou de bijoux. Éloignez vos cheveux et vos vêtements des pièces mobiles.** Les vêtements amples, les bijoux et les cheveux longs peuvent être happés par les pièces en mouvement.
- **Si des dispositifs sont fournis pour raccorder des systèmes de collecte et d'extraction de la poussière, vérifiez qu'ils sont correctement branchés et utilisés.** L'utilisation de systèmes de collecte de poussière peut réduire les risques associés à la poussière.
- **La connaissance des produits, acquise par l'usage fréquent de ces derniers, ne doit pas vous dispenser d'être prudent et d'appliquer les principes de sécurité.** Une action inconsiderée peut provoquer de graves blessures en une fraction de seconde.

### Utilisation et entretien du produit

- **Ne forcez pas le produit. Utilisez le produit convenant à l'application.** Le produit approprié réalisera mieux son travail et de façon plus sûre, à la vitesse pour laquelle il a été conçu.
- **N'utilisez pas le produit si l'interrupteur ne permet pas la mise sous tension ou l'arrêt.** Tout produit impossible à commander avec l'interrupteur est dangereux et doit être réparé.
- **Débranchez la fiche de la prise et/ou retirez la batterie, si celle-ci est amovible, avant de procéder aux réglages, de changer les accessoires ou de stocker les produits.** Ces mesures de sécurité préventive réduisent le risque de mise sous tension accidentelle du produit.
- **Rangez les produits hors de la portée des enfants et ne laissez pas des personnes qui ne connaissent pas le produit ou ces consignes utiliser le produit.** Les produits sont dangereux s'ils se retrouvent entre les mains d'utilisateurs non formés.
- **Veillez à entretenir les produits et leurs accessoires. Vérifiez que des pièces en mouvement ne sont pas désalignées ou grippées, que des composants ne sont pas cassés ou détériorés de façon telle à nuire au bon fonctionnement du produit. S'il est endommagé, faites réparer le produit avant toute réutilisation.** De nombreux accidents sont dus à des produits mal entretenus.
- **Maintenez les outils tranchants aiguisés et propres.** Des outils tranchants correctement entretenus avec des bords aiguisés sont moins susceptibles de se coincer et sont plus faciles à contrôler.
- **Utilisez le produit, les accessoires, les mèches, etc. en suivant ces consignes et en tenant compte des conditions de travail et de la tâche à réaliser.** L'utilisation du produit pour des opérations autres que celles pour lesquelles il a été prévu peut entraîner des situations dangereuses.

- **Les poignées et les surfaces de maintien doivent toujours être propres, sèches et sans traces d'huile ni de graisse.** Les poignées et les surfaces de maintien glissantes ne permettent pas une manipulation et un contrôle sûrs du produit dans des situations inattendues.

### Service

- **Confiez l'entretien de votre produit à un mécanicien qualifié qui utilisera uniquement des pièces de rechange identiques.** Cela permet de garantir la sécurité du produit.
- **Ne jamais entretenir des batteries endommagées.** L'entretien des batteries doit être effectué uniquement par le fabricant ou des fournisseurs de services agréés.

### Utilisation et entretien d'un outil à batterie

- **Ne rechargez la machine qu'avec le chargeur indiqué par le fabricant.** Un chargeur convenant à un type de bloc de batteries particulier peut entraîner un risque d'incendie s'il est utilisé avec un autre bloc.
- **Utilisez les produits uniquement avec les batteries spécifiquement préconisées.** L'utilisation d'une autre batterie peut entraîner un risque de blessure et d'incendie.
- **Lorsque la batterie n'est pas utilisée, maintenez-la à distance d'objets métalliques, tels que des trombones, pièces de monnaie, clés, clous, vis, ou autres petits objets en métal risquant de relier une borne à l'autre.** Court-circuiter les bornes de batterie entraîne un risque de brûlures et d'incendie.
- **En cas d'utilisation abusive, du liquide peut s'échapper de la batterie ; évitez tout contact. En cas de contact accidentel, rincez à l'eau. En cas de contact avec les yeux, consultez un médecin.** Le liquide échappé de la batterie peut causer irritations et brûlures.
- **N'utilisez pas un bloc batterie ou un outil endommagé ou modifié.** Les batteries endommagées ou modifiées peuvent présenter un comportement imprévisible pouvant provoquer un incendie, une explosion ou un risque de blessure.
- **N'exposez pas un bloc batterie ou un outil au feu ou à des températures trop élevées.** L'exposition au feu ou à des températures supérieures à 130 °C / 265 °F peut provoquer une explosion.
- **Respectez toutes les instructions de charge et ne chargez pas le bloc batterie ou l'outil en dehors de la plage de température spécifiée dans les instructions.** Ne pas charger la batterie correctement ou la charger à des températures comprises en dehors de la plage spécifiée peut endommager la batterie et augmenter le risque d'incendie.

### Consignes de sécurité de la tondeuse

- **N'utilisez pas la tondeuse par mauvais temps, en particulier lorsqu'il y a un risque de foudre.** Cela permet de réduire le risque d'être frappé par la foudre.



- **Inspectez soigneusement la zone où la tondeuse doit être utilisée, afin de repérer la faune éventuelle.** En effet, elle peut être blessée par la tondeuse pendant son fonctionnement.
- **Inspectez attentivement la zone où la tondeuse doit être utilisée et retirez toutes les pierres, les bouts de bois, les fils, les os et autres corps étrangers.** Les objets projetés peuvent entraîner des blessures.
- **Avant toute utilisation de la tondeuse, effectuez toujours une inspection visuelle pour vérifier que la lame et l'ensemble de lame ne sont ni usés, ni endommagés.** L'utilisation de pièces usées ou endommagées augmente le risque de blessure.
- **Avant utilisation, vérifiez le cordon d'alimentation et le rallonge pour repérer tout signe de dommage ou de vieillissement. N'utilisez pas la tondeuse si le cordon est endommagé ou usé. Si le cordon est endommagé ou usé pendant l'utilisation, éteignez la tondeuse et ne touchez pas le cordon avant de l'avoir débranché de l'alimentation.** Un cordon d'alimentation ou une rallonge endommagé(e) peut provoquer une électrocution, un incendie et/ou des blessures graves.
- **Contrôlez régulièrement le collecteur d'herbe pour détecter tout signe d'usure ou de détérioration.** Un collecteur d'herbe usé ou endommagé peut augmenter le risque de blessures.
- **Maintenez les protections en place. Les protections doivent être en bon état de marche et correctement montées.** Une protection desserrée, endommagée ou ne fonctionnant pas correctement peut entraîner des blessures.
- **Veillez à ce qu'aucun débris ne se loge dans les arrivées d'air de refroidissement.** L'obstruction des arrivées d'air et la présence de débris peuvent entraîner une surchauffe ou un risque d'incendie.
- **Lors de l'utilisation de la tondeuse, portez toujours des chaussures de protection et antidérapantes. N'utilisez pas la tondeuse si vous êtes pieds nus ou si vous portez des sandales.** Cela réduit le risque de blessure aux pieds en cas de contact avec la lame en mouvement.
- **Lorsque vous utilisez la tondeuse, portez toujours un pantalon.** Le risque de blessures dues à la projection d'objets est plus grand lorsque la peau est exposée.
- **La tondeuse ne doit pas être utilisée sur de l'herbe humide. Marchez, ne courez jamais.** Vous risquez de glisser et de tomber, ce qui peut entraîner des blessures.
- **Évitez d'utiliser la tondeuse sur des pentes trop raides.** Vous limitez ainsi le risque de perte de contrôle, de glissade et de chute, sources de blessures éventuelles.
- **Lorsque vous travaillez sur une pente, veillez toujours à garder l'équilibre, en tondant l'herbe latéralement et non verticalement. Soyez prudent lorsque vous changez de direction.** Vous limitez ainsi le risque de perte de contrôle, de glissade et de chute, sources de blessures éventuelles.
- **Soyez extrêmement vigilant lorsque vous reculez ou tirez la tondeuse vers vous. Soyez toujours conscient de l'environnement qui vous entoure.** Vous limitez ainsi le risque que vous trébuchiez pendant l'utilisation.
- **Maintenez le cordon d'alimentation éloigné des lames de coupe.** Un cordon d'alimentation endommagé peut provoquer une électrocution, un incendie et/ou des blessures graves.
- **Éteignez le produit et débranchez la fiche du secteur si le cordon est emmêlé ou endommagé.** Les cordons emmêlés ou endommagés augmentent le risque d'électrocution.
- **Ne touchez pas les lames et les autres pièces mobiles dangereuses lorsqu'elles sont encore en mouvement.** Vous réduisez ainsi le risque de blessures dues aux pièces mobiles.
- **Lorsque vous dégagez les débris de végétaux coincés ou que vous procédez au nettoyage de la tondeuse, assurez-vous que tous les interrupteurs d'alimentation sont en position d'arrêt et que le cordon d'alimentation est débranché.** Une utilisation inappropriée de la tondeuse peut entraîner des blessures graves.

### Disjoncteur différentiel de fuite à la terre

- Utilisez un disjoncteur différentiel de fuite à la terre avec un courant de déclenchement de 30 mA maximum.

### Instructions générales de sécurité



**AVERTISSEMENT:** Lisez les instructions qui suivent avant d'utiliser le produit.

- Ce produit est dangereux s'il est utilisé de manière incorrecte ou imprudente. Des blessures graves ou mortelles peuvent se produire si vous ne respectez pas les instructions de sécurité.
- Ce produit génère un champ électromagnétique durant son fonctionnement. Ce champ peut dans certaines circonstances perturber le fonctionnement d'implants médicaux actifs ou passifs. Pour réduire le risque de blessures graves ou mortelles, les personnes portant des implants médicaux doivent consulter leur médecin et le fabricant de leur implant avant d'utiliser ce produit.
- Soyez toujours prudent et utilisez votre bon sens. Si vous ne savez pas comment faire fonctionner le produit dans une situation particulière, ne l'utilisez pas et contactez votre Husqvarna revendeur avant de poursuivre.
- N'oubliez pas que l'opérateur sera tenu responsable des accidents occasionnés à des tiers et à leurs biens.
- Maintenez le produit propre. Assurez-vous que vous pouvez lire clairement les avertissements et les autocollants.

- N'autorisez jamais des enfants ou des personnes qui ne sont pas familiarisées avec ces instructions à se servir de cet appareil. Les réglementations locales peuvent limiter l'âge de l'utilisateur.
- Surveillez constamment les personnes aux capacités physiques ou mentales réduites qui utilisent ce produit. Un adulte responsable doit être présent à tout moment.
- N'utilisez jamais l'appareil si vous êtes fatigué ou malade, ou si vous êtes sous l'emprise d'alcool, de drogues ou de médicaments. Cela a un effet négatif sur votre vision, votre vigilance, votre coordination et votre jugement.
- N'utilisez pas le produit si celui-ci est défectueux.
- Ne modifiez jamais le produit et ne l'utilisez jamais s'il est susceptible d'avoir été modifié par un tiers.
- Faites reposer toutes les roues sur le sol et conservez vos deux mains sur la poignée lorsque vous faites fonctionner le produit. maintenez les mains et les pieds à distance des lames en rotation.
- N'inclinez pas le produit lorsque vous démarrez le moteur ou pendant le fonctionnement du produit.
- Soyez prudent lorsque vous tirez le produit vers l'avant.
- Ne soulevez jamais le produit quand le moteur est mis en marche. Si vous devez soulever le produit, arrêtez d'abord le moteur, tournez la clé de contact sur 0 et déposez la batterie.
- Ne marchez pas vers l'arrière lorsque vous utilisez le produit.
- Arrêtez le moteur lorsqu'il est nécessaire d'incliner le produit pour le transport ou avant de vous déplacer dans des zones sans herbe, par exemple des chemins avec des graviers, des pierres et en asphalte.
- Ne courez pas lorsque vous utilisez le produit et que le moteur est mis en marche. Vous devez toujours marcher lorsque vous utilisez le produit.
- Arrêtez le moteur avant de modifier la hauteur de coupe. N'effectuez jamais de réglages pendant que le moteur tourne.
- Ne quittez jamais le produit des yeux pendant que le moteur tourne. Arrêtez le moteur et assurez-vous que l'équipement de coupe ne tourne pas.
- Les vibrations dans le produit pendant le fonctionnement peuvent être différentes de la valeur de vibration déclarée ici *Caractéristiques techniques à la page 254*. Cette différence est due à des variations dans la façon d'utiliser le produit. Si vous utilisez le produit fréquemment ou pendant de longues périodes, faites régulièrement des pauses pour éviter les blessures dues aux vibrations.

## Sécurité du travail



**AVERTISSEMENT:** Lisez les instructions qui suivent avant d'utiliser le produit.

- Utilisez le produit uniquement pour couper les pelouses. Il est interdit d'utiliser le produit pour d'autres travaux.
- Utilisez un équipement de protection personnelle. Reportez-vous à la section *Équipement de protection individuel à la page 238*.
- Assurez-vous de savoir comment couper le moteur rapidement en cas d'urgence.
- Le produit ne doit pas être exposé à la pluie ou à l'humidité. Le risque de choc électrique augmente si de l'eau pénètre dans le produit.
- Faites fonctionner le produit uniquement si la lame et tous les couvercles sont fixés correctement. Une lame fixée de manière inadéquate risque de se détacher et de causer des blessures personnelles.
- Assurez-vous que la lame ne touche pas des objets tels que des pierres et des racines. Cela peut endommager la lame et tordre l'arbre du moteur. Un arbre tordu génère de fortes vibrations, il y a alors un risque important que la lame se détache.
- Arrêtez immédiatement le produit s'il vibre ou bute sur un objet. Arrêtez le moteur, tournez la clé de sécurité sur 0 et déposez la batterie. Attendez l'arrêt des pièces mobiles. Vérifiez que le produit n'est pas endommagé. Serrez les pièces desserrées. Réparez les dommages et remplacez les pièces endommagées. Faites réaliser les réparations par un agent d'entretien agréé.
- N'attachez jamais la poignée de frein moteur en permanence à la poignée de commande quand le moteur est mis en marche.
- Placez le produit sur une surface stable et plane, puis lancez-le. Vérifiez que la lame ne touche pas le sol ou tout autre objet.
- Restez toujours derrière le produit lorsque vous l'utilisez.

## Consignes de sécurité pour le fonctionnement

### Équipement de protection individuel



**AVERTISSEMENT:** Lisez les instructions qui suivent avant d'utiliser le produit.

- L'équipement de protection individuel ne protège pas complètement des blessures, mais il diminue la gravité des blessures en cas d'accident. Faites appel à votre revendeur pour vous aider à sélectionner l'équipement adéquat.
- Portez des bottes ou chaussures antidérapantes à usage intensif. Ne portez pas de chaussures ouvertes et ne soyez pas pieds nus lorsque vous utilisez le produit.
- Utilisez des pantalons longs et épais.
- Portez des gants de protection en cas de besoin, par exemple lorsque vous fixez, examinez ou nettoyez l'équipement de coupe.

- Nous vous recommandons d'utiliser une protection auditive.

## Dispositifs de sécurité sur le produit



**AVERTISSEMENT:** Lisez les instructions qui suivent avant d'utiliser le produit.

- N'utilisez pas un produit avec des dispositifs de sécurité défectueux.
- Ne retirez ou ne modifiez pas les dispositifs de sécurité.
- Contrôlez les dispositifs de sécurité régulièrement. Si les dispositifs de sécurité sont défectueux, parlez-en à votre agent d'entretien Husqvarna.

### Pour contrôler le capot de coupe

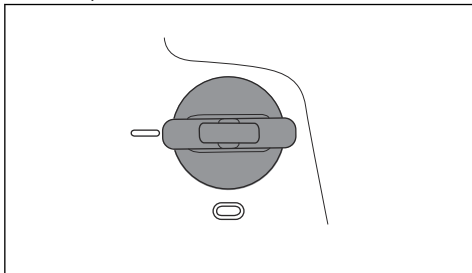
Le capot de coupe réduit les vibrations dans le produit et réduit le risque de blessures provoquées par la lame.

- Examinez le capot de coupe pour vous assurer qu'il ne présente pas de dommages tels que des fissures.

### Pour contrôler la clé de sécurité

La clé de sécurité se trouve sous le couvercle de la batterie. La clé de sécurité est reliée à la batterie qui alimente le moteur.

- Démarrez et arrêtez le moteur pour contrôler la clé de sécurité.
- Si la clé de sécurité fonctionne correctement, le moteur démarre seulement lorsque la clé de sécurité est en position 1.

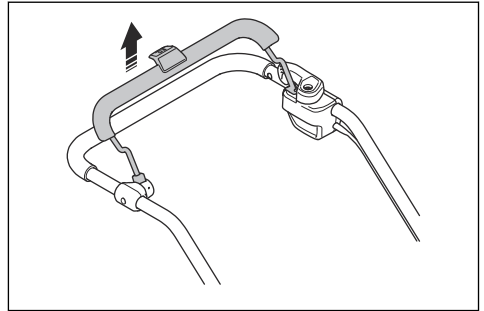


### Pour contrôler la poignée du frein moteur

La poignée de frein moteur arrête le moteur. Lorsque la poignée de frein moteur est relâchée, le moteur s'arrête.

- Faites démarrer le produit. Reportez-vous à la section *Utilisation à la page 242*.

- Relâchez la poignée de frein moteur.

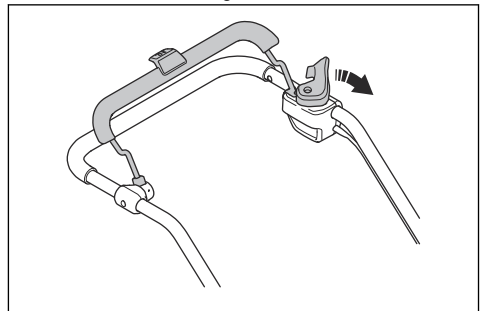


- Assurez-vous que le produit s'arrête. Si le moteur ne s'arrête pas au bout de 3 secondes, demandez à un atelier Husqvarna spécialisé agréé de régler le frein moteur.

### Pour contrôler l'antidémarrage

Contrôlez l'antidémarrage afin de vous assurer qu'il empêche le fonctionnement du moteur.

1. Poussez la poignée de frein moteur en direction du guidon. L'antidémarrage arrête le mouvement.
2. Poussez l'antidémarrage.



3. Relâchez l'antidémarrage et assurez-vous qu'il revient dans sa position initiale.

### Consignes de sécurité relatives à l'utilisation de la batterie



**AVERTISSEMENT:** Lisez les instructions qui suivent avant d'utiliser le produit.

- Utilisez des batteries rechargeables Husqvarna pour alimenter les produits Husqvarna uniquement. Afin d'éviter toute blessure, n'utilisez pas la batterie comme source d'alimentation pour d'autres produits.
- N'utilisez pas de batteries non rechargeables.
- Risque de choc électrique. Ne branchez pas les bornes de la batterie à des clés, des pièces de monnaie, des vis ou tout autre élément métallique. Cela peut provoquer un court-circuit de la batterie.

- Ne placez pas d'objets dans les fentes d'aération de la batterie.
- Protégez la batterie des rayons directs du soleil, de la chaleur et des flammes nues. La batterie peut exploser et provoquer des brûlures et/ou des brûlures chimiques.
- Protégez la batterie de la pluie et de l'humidité.
- Protégez la batterie des micro-ondes et des hautes pressions.
- N'essayez pas de démonter ou de casser la batterie.
- En cas de fuite de la batterie, ne laissez pas le liquide entrer en contact avec votre peau ou vos yeux. Si vous avez touché le liquide, nettoyez la zone avec beaucoup d'eau claire et contactez un médecin.
- N'utilisez la batterie du produit que si la température ambiante est comprise entre 5 °C et 40 °C.
- N'utilisez le chargeur de batterie que si la température ambiante est comprise entre 5 °C et 40 °C.
- La batterie ne charge pas si la température de la batterie est supérieure à 50 °C.
- Ne nettoyez pas la batterie ou le chargeur de batterie avec de l'eau. Reportez-vous à la section *Pour nettoyer la batterie et le chargeur de batterie à la page 249.*
- N'utilisez pas de batterie défectueuse ou endommagée.
- Conservez les batteries en stock à distance des objets métalliques, tels que clous, pièces de monnaie ou bijoux.
- Ne soulevez pas le chargeur de batterie par le cordon d'alimentation. Pour débrancher le chargeur de batterie d'une prise d'alimentation secteur, tirez sur la fiche. Ne tirez pas le cordon d'alimentation.
- Conservez le cordon d'alimentation et les rallonges à l'abri de l'eau, de l'huile et des bords tranchants. Veillez à ce que le câble ne soit pas coincé dans des portes, des clôtures ou tout autre équipement similaire. Le chargeur pourrait être mis sous tension.
- Ne nettoyez pas le chargeur de batterie avec de l'eau.
- Le chargeur de batterie peut être utilisé par des enfants âgés de 8 ans et plus et des personnes ayant des handicaps physiques, sensoriels ou mentaux ou manquant d'expérience et de connaissances à condition qu'ils aient reçu la surveillance ou les instructions appropriées concernant l'utilisation du chargeur de batterie en toute sécurité et qu'ils aient bien compris les risques encourus. Les enfants ne doivent pas jouer avec le chargeur de batterie. Le nettoyage et les opérations d'entretien à effectuer par l'utilisateur ne doivent pas être réalisés par des enfants sans surveillance.
- Ne chargez pas de batterie non rechargeable dans le chargeur de batterie.
- N'utilisez pas le chargeur de batterie à proximité de matériaux inflammables ou de matériaux pouvant provoquer la formation de corrosion. Ne recouvrez pas le chargeur de batterie. En cas de dégagement de fumée ou de début d'incendie, débranchez aussitôt la fiche reliée au chargeur de batterie.
- N'utilisez pas de chargeur de batterie défectueux ou endommagé.
- Rechargez la batterie uniquement en intérieur, dans un endroit bien aéré et à l'abri de la lumière. Ne rechargez pas la batterie dans des conditions humides.

## Consignes de sécurité relatives au chargeur de batterie



**AVERTISSEMENT:** Lisez les instructions qui suivent avant d'utiliser le produit.

- Utilisez uniquement des chargeurs de batterie QC Husqvarna pour charger les batteries de remplacement.
- Risque de choc électrique ou de court-circuit. Ne placez pas d'objets dans les fentes d'aération du chargeur. N'essayez pas de démonter le chargeur de batterie. Ne raccordez pas les bornes du chargeur à des objets métalliques. Utilisez une prise secteur agréée.
- Ce produit génère un champ électromagnétique durant son fonctionnement. Ce champ peut dans certaines circonstances perturber le fonctionnement d'implants médicaux actifs ou passifs. Pour réduire le risque de blessures graves ou mortelles, les personnes portant des implants médicaux doivent consulter leur médecin et le fabricant de leur implant avant d'utiliser cet appareil.
- Assurez-vous régulièrement que le cordon d'alimentation du chargeur de batterie n'est pas endommagé et qu'il ne présente aucune fissure.

## Instructions de sécurité pour l'entretien



**AVERTISSEMENT:** Lisez les instructions qui suivent avant d'utiliser le produit.

- Afin d'éviter tout démarrage accidentel pendant l'entretien, tournez la clé de sécurité sur 0 et retirez la batterie. Attendez au moins 5 secondes avant de commencer l'entretien.
- Effectuez uniquement les tâches d'entretien décrites dans le présent manuel d'utilisation. Les interventions plus poussées et les réparations professionnelles doivent être effectuées par un agent d'entretien agréé. Contactez votre agent d'entretien le plus proche pour plus d'informations.
- Effectuez l'entretien correctement afin de prolonger la durée de vie du produit et de réduire les risques d'accident.
- Remplacez les pièces endommagées, usées ou cassées. Utilisez toujours des pièces de rechange d'origine du fabricant. L'utilisation d'autres pièces de

recharge peut endommager le produit et augmenter le risque d'accident.

- Afin de limiter les risques de blessure, ne retirez ou ne modifiez pas les dispositifs de sécurité.
- Portez des gants de protection robustes lorsque vous manipulez l'équipement de coupe. La lame est très tranchante et des coupures peuvent survenir facilement.
- Maintenez les bords tranchants aiguisés et propres pour obtenir des performances optimales et sûres.
- Laissez à l'agent d'entretien le soin de contrôler régulièrement le produit et d'effectuer les réglages et les réparations nécessaires.

- Respectez les instructions relatives au remplacement des accessoires. Utilisez uniquement des accessoires obtenus auprès du fabricant.
- Lorsqu'ils ne sont pas utilisés, conservez le produit avec la batterie et le chargeur de batterie à part dans un endroit sec, en intérieur et verrouillé. Veillez à ce que les enfants et les personnes non autorisées ne puissent avoir accès au produit, à la batterie ou au chargeur de batterie.

## Montage

### Introduction



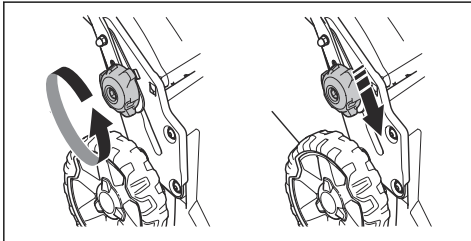
**AVERTISSEMENT:** Avant d'installer le produit, consultez le chapitre sur la sécurité.



**AVERTISSEMENT:** Pour éviter tout démarrage accidentel lors du montage, tournez la clé de sécurité sur 0, retirez la batterie et attendez au moins 5 secondes.

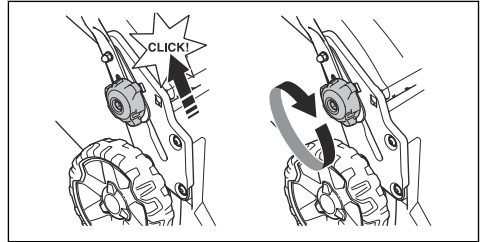
### Pour régler la poignée

1. Desserrez les boutons inférieurs.
2. Faites glisser les boutons jusqu'aux extrémités inférieures des rainures sur le côté gauche et le côté droit de la machine.



3. Réglez la hauteur de la poignée selon l'une des deux positions disponibles.

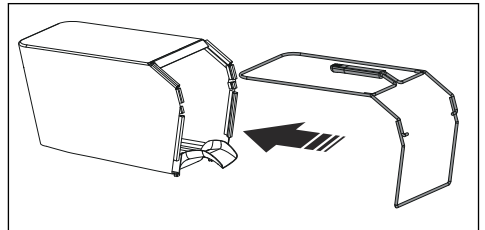
4. Déplacez les boutons vers le haut, en direction de la poignée, jusqu'à ce qu'ils s'arrêtent et qu'un clic se fasse entendre.



5. Serrez fermement les boutons.

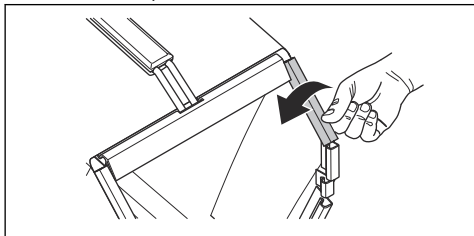
### Pour monter le collecteur d'herbe

1. Fixez le châssis du collecteur d'herbe au sac à herbe, la partie rigide du sac étant sur la partie inférieure. Maintenez la poignée du châssis sur le dessus du sac à herbe.

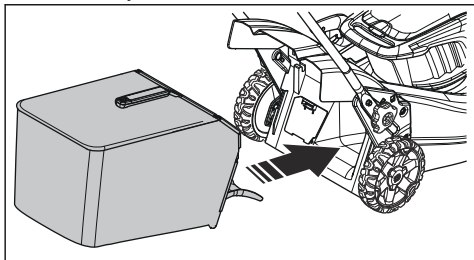


2. Fixez la partie inférieure du châssis du collecteur d'herbe dans la rainure au bas du collecteur d'herbe.

- Fixez le sac à herbe au châssis du collecteur d'herbe à l'aide des clips.

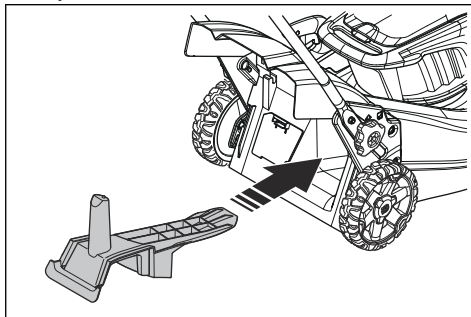


- Soulevez le capot arrière.
- Attachez le collecteur d'herbe au bord supérieur du châssis.
- Placez la partie inférieure du collecteur d'herbe dans le canal d'éjection de l'herbe.



## Pour assembler l'obturateur du broyeur (accessoire)

- Relevez le capot arrière et retirez le collecteur d'herbe.
- Placez l'obturateur du broyeur dans le canal d'éjection.



- Remplacez la lame par la lame de broyeur fournie dans le kit de mulching. Reportez-vous à la section *Pour remplacer la lame à la page 250*.

## Utilisation

### Introduction



**AVERTISSEMENT:** Avant d'utiliser le produit, vous devez lire et comprendre le chapitre sur la sécurité.

### Husqvarna Connect

Husqvarna Connect est une application gratuite pour votre appareil mobile. L'application Husqvarna Connect offre des fonctions étendues à votre produit Husqvarna :

- Informations produit détaillées.
- Informations et aide sur les pièces et l'entretien du produit.

### Pour commencer à utiliser Husqvarna Connect

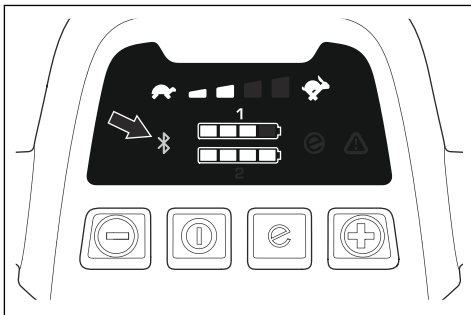
- Téléchargez l'application Husqvarna Connect sur votre appareil mobile.
- Enregistrez-vous sur l'application Husqvarna Connect.
- Suivez les instructions de l'application Husqvarna Connect pour vous connecter et enregistrer le produit.

**Remarque:** L'application Husqvarna Connect n'est pas disponible au téléchargement sur tous les marchés. Pour davantage d'informations, contactez votre atelier d'entretien.

### Bluetooth® informations (LC 347iVX, LC 353iVX)

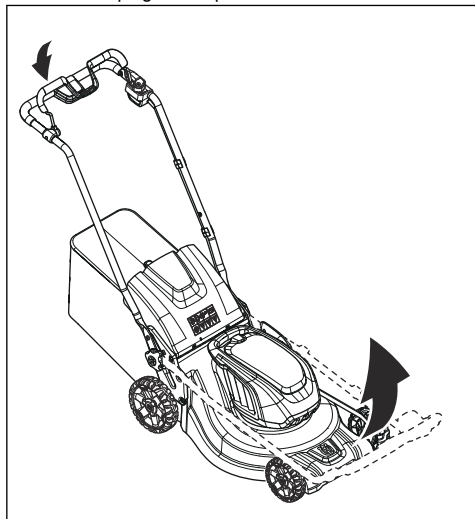
#### Technologie sans fil Bluetooth®

Le symbole de la technologie sans fil *Bluetooth®* s'allume lorsque votre appareil mobile est connecté au produit.

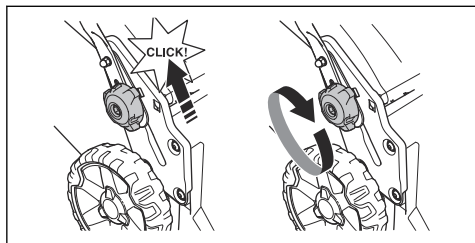


## Pour régler le produit en position de fonctionnement

1. Mettez la poignée en position verticale.



2. Déplacez les boutons vers le haut, en direction de la poignée, jusqu'à ce qu'ils s'arrêtent et qu'un clic se fasse entendre.



3. Serrez fermement les boutons.



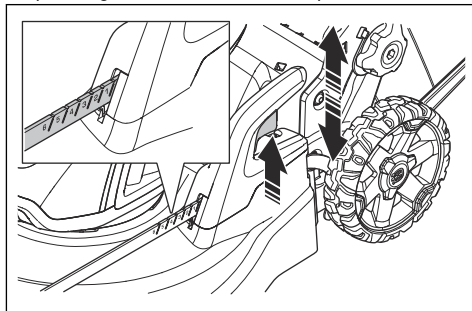
**AVERTISSEMENT:** N'utilisez pas le produit tant que la poignée n'est pas complètement repliée et réglée dans l'une des positions de hauteur possibles. Reportez-vous à la section *Pour régler la poignée à la page 241*.

## Pour régler la hauteur de coupe

La hauteur de coupe peut être réglée sur 6 niveaux.

1. Déplacez le levier de hauteur de coupe vers le bas pour diminuer la hauteur de coupe.

2. Déplacez le levier de hauteur de coupe vers le haut pour augmenter la hauteur de coupe.



**REMARQUE:** La hauteur de coupe ne doit pas être réglée trop bas. Les lames peuvent toucher le sol si la surface de la pelouse n'est pas plane.

## Batterie



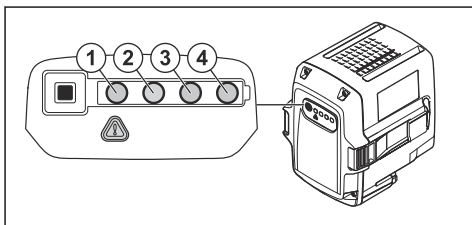
**AVERTISSEMENT:** Avant d'utiliser la batterie, vous devez lire et comprendre le chapitre sur la sécurité. Vous devez également lire et comprendre le manuel d'utilisation de la batterie et du chargeur de batterie.

Maintenez la batterie et le chargeur de batterie à des températures ambiantes correctes.

	Température ambiante
Fonctionnement de la batterie	5 °C à 40 °C
Charge de la batterie	5 °C à 40 °C

## État de la batterie

L'écran indique la capacité restante de la batterie ainsi que tout problème éventuel lié à la batterie. La capacité de la batterie s'affiche pendant 5 secondes après l'arrêt du produit ou l'enfoncement du bouton d'indicateur de batterie. Le symbole d'avertissement sur la batterie s'allume en cas d'erreur. Consultez la section *Batterie à la page 250*.





Voyants DEL	État de la batterie
Toutes les DEL sont allumées	Batterie complètement chargée (75-100 %)
Les DEL 1, DEL 2 et DEL 3 sont allumées	La batterie est chargée à 50 %-75 %
Les DEL 1 et DEL 2 sont allumées	La batterie est chargée à 25 %-50 %
La DEL 1 est allumée	La batterie est chargée à 0 %-25 %.
La DEL 1 clignote	La batterie est vide. Rechargez la batterie.

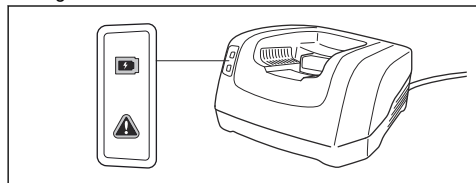
## Pour charger la batterie

Chargez la batterie avant la première utilisation. La batterie n'est chargée qu'à 30 % au moment de sa livraison au client.

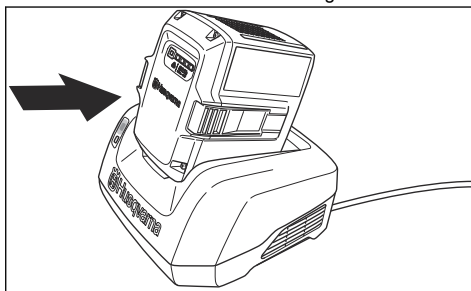
**Remarque:** Le chargeur de batterie doit être raccordé à la tension et à la fréquence indiquées sur la plaque signalétique.

La batterie ne se charge pas si la température de la batterie est supérieure à 50 °C. Le chargeur de batterie diminue la température de la batterie avant le début de la charge.

1. Branchez une extrémité du cordon d'alimentation du chargeur de batterie dans la prise du chargeur de batterie.
2. Branchez l'autre extrémité du cordon d'alimentation du chargeur de batterie dans une prise secteur mise à la masse. La DEL sur le chargeur de batterie clignote une fois en vert.



3. Placez la batterie dans le chargeur de batterie. Le témoin vert du chargeur s'allume lorsque la batterie est correctement branchée au chargeur de batterie.



4. La batterie est totalement rechargée quand toutes les DEL sur la batterie sont allumées. Chargez la batterie pendant 24 heures au maximum.
5. Pour débrancher le chargeur de batterie de la prise secteur, tirez sur la fiche et non sur le cordon d'alimentation.
6. Dégagez la batterie du chargeur de batterie.

## Niveau de charge de la batterie

Une batterie au lithium-ion Husqvarna peut être chargée ou utilisée à tous les niveaux de charge. Vous n'endommagerez pas la batterie. Une batterie pleine ne perdra pas sa charge même si elle est laissée dans le chargeur.

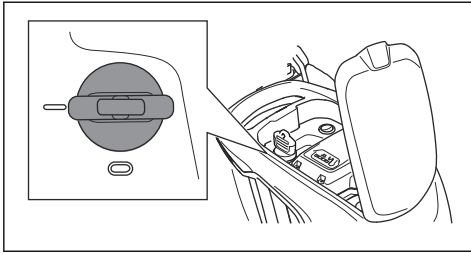
Affichage à DEL	État de charge
La DEL 1 clignote	0 %-25 %
La DEL 1 est allumée, la DEL 2 clignote	25 %-50 %
Les DEL 1 et 2 sont allumées, la DEL 3 clignote	50 %-75 %
Les DEL 1, 2 et 3 sont allumées, la DEL 4 clignote	75 %-100 %
Les DEL 1, 2, 3 et 4 sont allumées	Batterie complètement chargée

## Démarrage du produit (LC 247i)

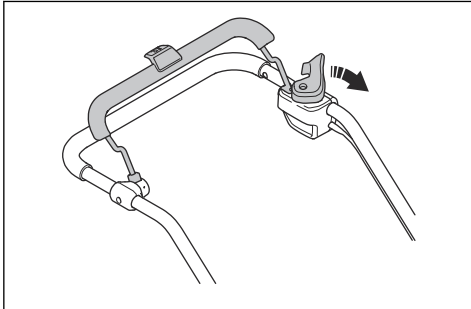
1. Ouvrez le couvercle de la batterie.
2. Insérez une batterie chargée dans l'un des supports de batterie. Pour une durée de fonctionnement accrue, placez une deuxième batterie chargée dans l'autre support de batterie.



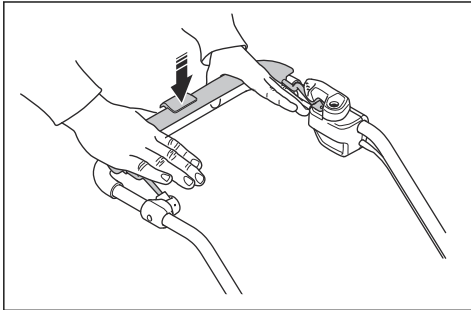
3. Tournez la clé de sécurité sur 1.



4. Restez derrière le produit.
5. Relâchez l'antidémarrage.



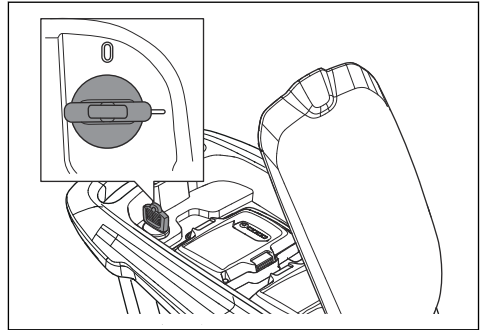
6. Poussez la poignée de frein moteur en direction du guidon.



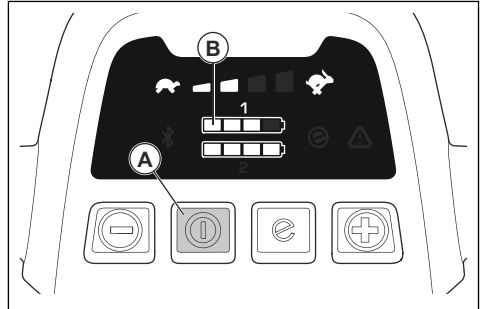
## Démarrage du produit (LC 347iVX, LC 353iVX)

1. Ouvrez le couvercle de la batterie.
2. Insérez une batterie chargée dans l'un des supports de batterie. Pour une durée de fonctionnement accrue, placez une deuxième batterie chargée dans l'autre support de batterie.

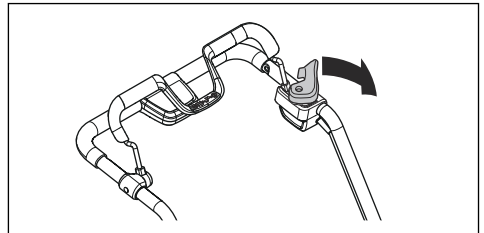
3. Tournez la clé de sécurité sur 1.



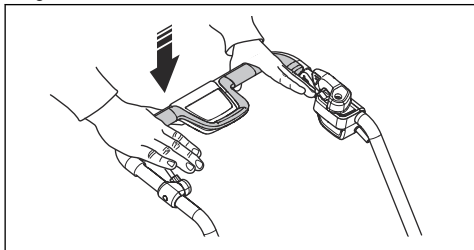
4. Restez derrière le produit.
5. Appuyez sur le bouton ON/OFF (A) situé sur le panneau de commande. L'écran s'allume. Le témoin de batterie (B) indique le niveau de charge des 2 batteries. Le numéro de la batterie qui fonctionne est indiqué à côté du témoin de batterie. Pour les modèles LC 347iVX, LC 353iVX, l'écran indique également la vitesse réglée.



6. Relâchez l'antidémarrage.

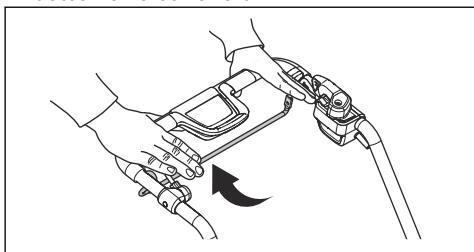


- 7. Poussez la poignée de frein moteur en direction du guidon.

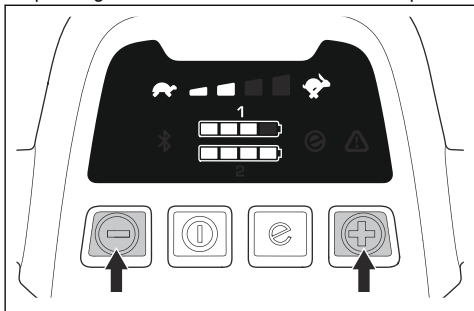


## Pour appliquer l'entraînement aux roues LC 347iVX, LC 353iVX

- Tirez la manette de commande vers la poignée afin d'actionner l'entraînement.



- Appuyez sur + et - sur le panneau de commande pour régler la vitesse d'entraînement en 4 étapes.

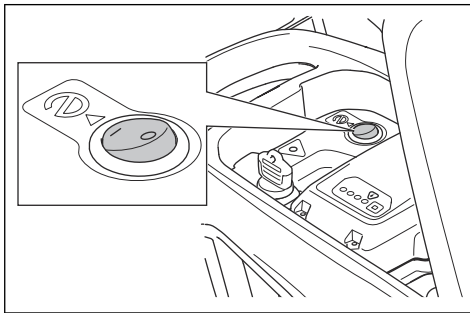


- Relâchez la manette de commande pour désengager l'entraînement, lorsque vous vous rendez à proximité d'un obstacle par exemple.

## Utilisation de la fonction Save™ (LC 247i)

Le produit est équipé d'une fonction d'économie de la batterie (Save™) qui garantit une durée de fonctionnement prolongée.

- Poussez le bouton Save™ en position 1 pour démarrer la fonction.



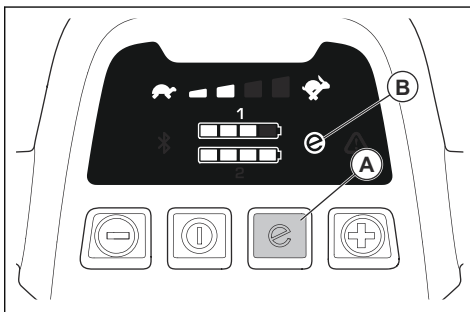
- Appuyez sur le bouton Save™ en position 0 pour arrêter la fonction.

**Remarque:** La fonction Save™ s'arrête automatiquement lorsque les conditions de terrain nécessitent une puissance plus élevée. La fonction Save™ redémarre automatiquement lorsque les conditions de terrain le permettent.

## Utilisation de la fonction Save™ (LC 347iVX, LC 353iVX)

Le produit est équipé d'une fonction d'économie de la batterie (Save™) qui garantit une durée de fonctionnement prolongée.

- Appuyez sur le bouton Save™ (A) pour démarrer la fonction. Le symbole Save™ (B) à l'écran s'allume.
- Appuyez de nouveau sur le bouton Save™ pour arrêter la fonction. Le symbole Save™ (B) à l'écran s'éteint.



**Remarque:** La fonction Save™ s'arrête automatiquement lorsque les conditions de terrain nécessitent une puissance plus élevée. La fonction Save™ se relance automatiquement lorsque les conditions de terrain le permettent.

## Fonction charge élevée

Lorsque le produit coupe de l'herbe haute ou humide, le régime moteur augmente automatiquement. Le moteur repasse en mode standard lorsqu'une charge élevée n'est plus requise.

## Redémarrage automatique

Au cours de l'utilisation, la lame et le moteur peuvent s'arrêter temporairement en raison d'obstacles tels qu'un bourrage d'herbe sous le carter de coupe. Si cela se produit et que vous maintenez la poignée du frein moteur enfoncée, le produit tente de redémarrer automatiquement. Si le produit ne redémarre pas dans les 5 secondes, il peut être nécessaire de nettoyer le dessous du carter de coupe. Reportez-vous à la section *Pour nettoyer le produit à la page 249*.



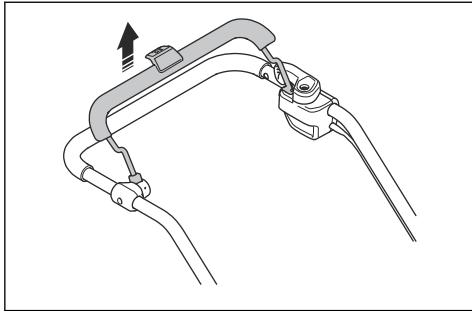
**AVERTISSEMENT:** Avant de vérifier le carter de coupe, relâchez la poignée du frein moteur, tournez la clé de sécurité sur 0, retirez la batterie et attendez au moins 5 secondes. Il existe un risque de blessure si l'obstacle est retiré et que le produit démarre accidentellement.

## Arrêt du produit (LC 247i)

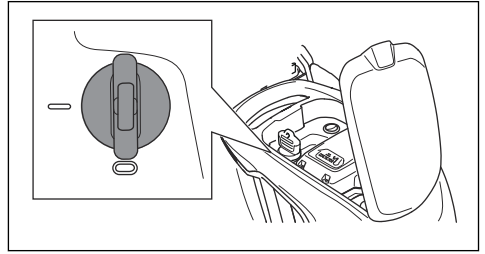


**AVERTISSEMENT:** Tournez la clé de sécurité sur 0 avant de quitter le produit des yeux.

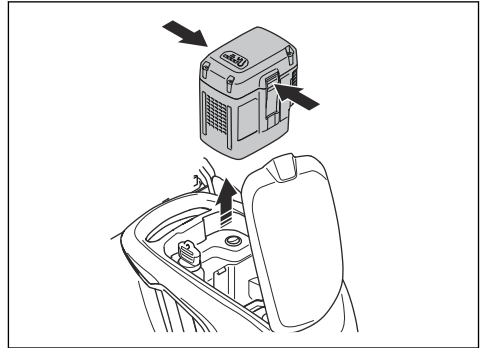
1. Relâchez la poignée de frein moteur pour arrêter le moteur.



2. Ouvrez le couvercle de batterie et tournez la clé de sécurité sur 0.



3. Pour retirer la batterie, appuyez sur les 2 cliquets de déverrouillage et sortez la batterie.



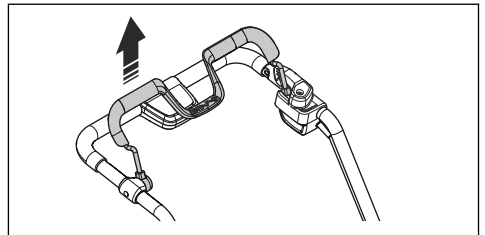
4. Chargez la batterie si son niveau est faible. Pour plus d'informations, reportez-vous à *Pour charger la batterie à la page 244*.

## Arrêt du produit (LC 347iVX, LC 353iVX)

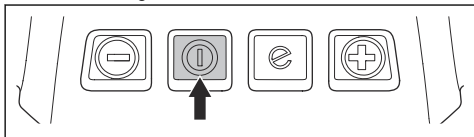


**AVERTISSEMENT:** Tournez la clé de sécurité sur 0 avant de quitter le produit des yeux.

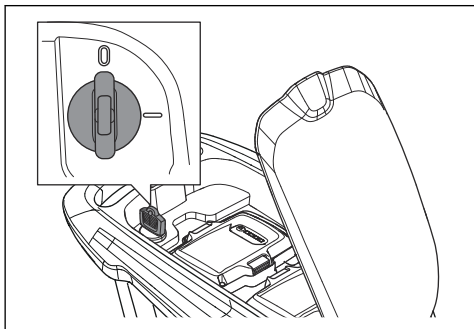
1. Relâchez la poignée de frein moteur pour arrêter le moteur.



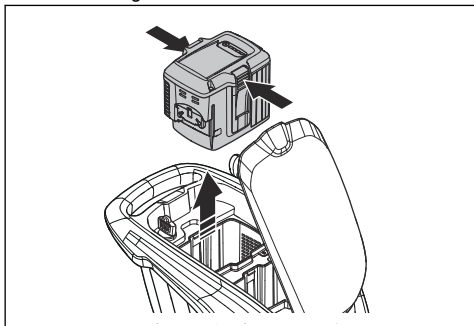
2. Appuyez sur le bouton ON/OFF situé sur le panneau de commande. Tous les symboles et voyants LED à l'écran s'éteignent.



3. Ouvrez le couvercle de batterie et tournez la clé de sécurité sur 0.



4. Pour retirer la batterie, appuyez sur les 2 cliquets de déverrouillage et sortez la batterie.



5. Chargez la batterie si son niveau est faible. Pour plus d'informations, reportez-vous à *Pour charger la batterie à la page 244.*

**Remarque:** Le produit est automatiquement mis hors tension s'il ne fonctionne pas pendant plusieurs minutes. Pour redémarrer le produit, reportez-vous à la section *Démarrage du produit (LC 347iVX, LC 353iVX)* à la page 245.

## Pour obtenir de bons résultats

- Utilisez toujours une lame correctement affûtée. Une lame émoussée produit un résultat irrégulier et l'herbe jaunira à la surface de la coupe. De plus, une lame affûtée consomme moins d'énergie qu'une lame émoussée.
- Ne coupez pas plus d'un tiers de la longueur de l'herbe. Coupez d'abord avec une hauteur de coupe élevée. Examinez le résultat et abaissez la hauteur de coupe à un niveau convenable. Si l'herbe est très longue, tondez lentement, et deux fois si nécessaire.
- Tondez toujours dans différentes directions afin d'éviter de faire des lignes dans la pelouse.
- Assurez-vous que le carter de coupe reste propre. L'accumulation d'herbe et de saleté sur la face intérieure du carter de coupe peut réduire la qualité du résultat de coupe. Reportez-vous à la section *Pour nettoyer le produit à la page 249.*

## Pour couper l'herbe sans collecteur d'herbe ou obturateur du broyeur fixé

- Relevez le capot arrière et retirez le collecteur d'herbe.
- Si un obturateur et une lame de broyeur sont montés, déposez-les.
- Fermez le couvercle arrière avant d'utiliser le produit.

Lorsque vous faites fonctionner le produit, l'herbe coupée est évacuée sous le couvercle arrière.

## Entretien

### Présentation



**AVERTISSEMENT:** Avant d'effectuer des travaux d'entretien, vous devez lire et comprendre le chapitre sur la sécurité.

Une formation spécifique est nécessaire pour effectuer tous les travaux d'entretien et de réparation du produit. Nous garantissons qu'il vous est possible d'obtenir des services de réparation et d'entretien effectués par des professionnels. Si votre concessionnaire n'est pas un atelier spécialisé, demandez-lui des informations à propos de l'atelier spécialisé le plus proche.

Pour des informations plus détaillées, reportez-vous à [www.husqvarna.com](http://www.husqvarna.com).

### Calendrier de maintenance

Les intervalles d'entretien sont calculés selon une utilisation quotidienne du produit. Les intervalles sont différents si le produit n'est pas utilisé tous les jours.

Pour les travaux d'entretien suivis d'un astérisque (\*), consultez les instructions dans la section *Sécurité à la page 235.*

	Toutes utilisations	Une fois par mois	À chaque saison
Faites une inspection générale	X		
Nettoyez le produit	X		
Contrôlez l'antidémarrage *	X		
Assurez-vous que les dispositifs de sécurité sur le produit ne sont pas défectueux *	X		
Inspectez l'équipement de coupe	X		
Inspectez le capot de coupe *	X		
Contrôlez la poignée du frein moteur *	X		
Assurez-vous que le bouton ON/OFF fonctionne correctement et n'est pas défectueux	X		
Examinez la batterie afin de détecter d'éventuels dommages	X		
Contrôlez le niveau de charge de la batterie	X		
Vérifiez que les cliquets de déverrouillage de la batterie fonctionnent correctement et fixent la batterie dans le produit	X		
Examinez le chargeur de batterie afin de détecter d'éventuels dommages et assurez-vous qu'il fonctionne correctement.		X	
Examinez les connexions entre la batterie et le produit. Examinez également la connexion entre la batterie et le chargeur de batterie.			X

## Pour faire une inspection générale

- Assurez-vous que les vis et les écrous du produit sont serrés.
- Assurez-vous que les câbles sur le produit ne sont pas dans une position où ils risquent d'être endommagés.

## Pour nettoyer le produit

- Nettoyez les éléments en plastique avec un chiffon sec et propre.
- N'utilisez pas d'eau pour nettoyer le produit. L'eau pourrait pénétrer dans la batterie ou le moteur et provoquer un court-circuit ou endommager le produit.
- N'utilisez pas de nettoyeur haute pression pour le nettoyage du produit.
- Ne jetez pas d'eau directement sur le moteur.
- Utilisez une brosse pour enlever les feuilles, l'herbe et la saleté.

## Pour nettoyer la batterie et le chargeur de batterie



**AVERTISSEMENT:** Ne nettoyez pas la batterie ou le chargeur de batterie avec de l'eau.

- Assurez-vous que la batterie et le chargeur de batterie sont propres et secs avant de placer la batterie dans le chargeur de batterie.
- Nettoyez les bornes de la batterie avec de l'air comprimé ou un chiffon sec et doux.
- Nettoyez les surfaces de la batterie et du chargeur de batterie avec un chiffon sec et doux.

## Pour inspecter l'équipement de coupe



**AVERTISSEMENT:** Pour éviter tout démarrage accidentel, tournez la clé de sécurité sur 0, retirez la batterie et attendez au moins 5 secondes.



**AVERTISSEMENT:** Utilisez des gants de protection lorsque vous procédez à l'entretien de l'équipement de coupe. La

lame est très tranchante et des coupures peuvent survenir facilement.

1. Inspectez l'équipement de coupe afin de détecter d'éventuels dommages ou fissures. Remplacez toujours un équipement de coupe endommagé.
2. Inspectez la lame pour voir si elle est endommagée ou émoussée.

**Remarque:** Il est nécessaire d'équilibrer la lame après l'avoir affûtée. Demandez à un centre d'entretien d'affûter, de remplacer et d'équilibrer la lame. Si vous heurtez un obstacle qui entraîne l'arrêt du produit, remplacez la lame endommagée. Demandez au centre d'entretien d'évaluer si la lame peut être affûtée ou si elle doit être remplacée.

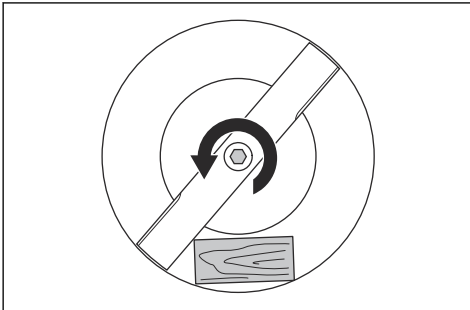
## Pour remplacer la lame

Reportez-vous à la section *Caractéristiques techniques* à la page 254 pour connaître le type de lame approprié.



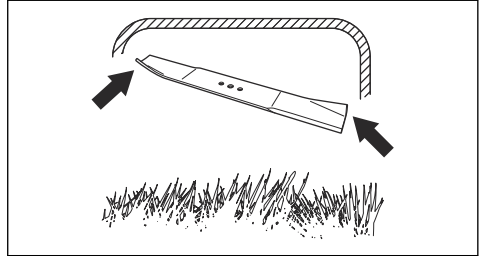
**AVERTISSEMENT:** Bloquez la lame avec une cale en bois pour éviter de vous blesser les doigts lors du remplacement de la lame. La lame peut entrer en mouvement lorsque le moteur est éteint et vos doigts peuvent se retrouver coincés entre la lame et les pièces fixes.

1. Bloquez la lame avec un bloc en bois.

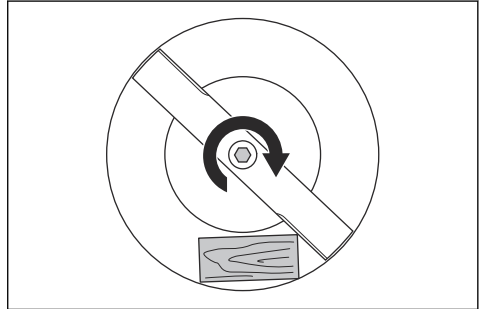


2. Retirez le boulon de lame.
3. Retirez la lame.

4. Examinez le support de lame et le boulon de lame pour voir s'ils sont endommagés.
5. Examinez l'arbre du moteur pour vous assurer qu'il n'est pas tordu.
6. Lorsque vous fixez la nouvelle lame, orientez le tranchant en direction du capot de coupe.



7. Assurez-vous que la lame est alignée par rapport au centre de l'arbre du moteur.
8. Bloquez la lame avec un bloc en bois. Fixez la rondelle ressort, puis serrez le boulon et la rondelle à un couple de 23-28 Nm.



9. Déplacez la lame à la main et vérifiez qu'elle tourne librement.



**AVERTISSEMENT:** Utilisez des gants de travail épais. La lame est très tranchante et des coupures peuvent survenir facilement.

10. Démarrez le produit pour tester la lame. Si la lame n'est pas correctement fixée, le produit vibre ou le résultat de coupe n'est pas satisfaisant.

## Dépannage

### Batterie

DEL sur la batterie	Cause	Solution
La DEL d'erreur clignote	La tension de la batterie est faible.	Rechargez la batterie. Reportez-vous à la section <i>Pour charger la batterie</i> à la page 244.

DEL sur la batterie	Cause	Solution
La LED d'erreur clignote.	La batterie est faible.	Rechargez la batterie. Reportez-vous à la section <i>Pour charger la batterie à la page 244.</i>
	La température de l'environnement de travail est trop élevée ou trop basse.	Utilisez la batterie à une température comprise entre 5 °C et 40 °C.
	Surtension.	Assurez-vous que la tension secteur est identique à celle indiquée sur la plaque signalétique du produit.  Dégagez la batterie du chargeur de batterie. Attendez 5 secondes et essayez à nouveau de charger la batterie. Si le problème persiste, contactez un atelier spécialisé agréé.
La DEL d'erreur est allumée	L'écart de tension entre les cellules est trop important (1 V).	Contactez un agent d'entretien agréé.

## Chargeur de batterie

DEL sur le chargeur de batterie	Cause	Solution
La LED d'erreur clignote.	La température de l'environnement de travail est trop élevée ou trop basse.	Utilisez le chargeur de batterie à une température comprise entre 5 °C et 40 °C.
La DEL d'erreur est allumée		Contactez un agent d'entretien agréé.

## Tondeuse à gazon

Le témoin d'avertissement (LED d'erreur) se trouve sous le couvercle de la batterie ((LC 247i)) ou sur le panneau de commande ((LC 347iVX, LC 353iVX)).

Problème	LED d'erreur (nombre de clignotements)	Cause	Solution
La DEL d'erreur clignote. Le produit ne fonctionne pas correctement.	3	La lame est bloquée.	Tournez la clé de sécurité sur 0 pour éviter tout démarrage accidentel. Retirez la batterie et attendez au moins 5 secondes. Retirez les obstacles éventuels et assurez-vous que la lame peut tourner librement. Si le problème persiste, contactez un atelier spécialisé agréé.
	5	La vitesse du moteur chute trop et le moteur s'arrête.	Augmentez la hauteur de coupe. Reportez-vous à la section <i>Pour régler la hauteur de coupe à la page 243.</i>
	6 <sup>37</sup>	Les roues ou la transmission sont bloquées.	Tournez la clé de sécurité sur 0 pour éviter tout démarrage accidentel. Retirez la batterie et attendez au moins 5 secondes. Retirez les obstacles éventuels et assurez-vous que les roues peuvent tourner librement. Si le problème persiste, contactez un atelier spécialisé agréé.
	10	La commande du moteur est trop chaude.	Arrêtez le moteur et attendez qu'il refroidisse.
La DEL d'erreur clignote. Le produit s'arrête.	0	Défaillance du connecteur de batterie.	Examinez le connecteur de batterie.
	3	Il y a une surcharge dans le moteur.	Augmentez la hauteur de coupe. Reportez-vous à la section <i>Pour régler la hauteur de coupe à la page 243.</i>
	8	La batterie est faible.	Rechargez la batterie. Reportez-vous à la section <i>Pour charger la batterie à la page 244.</i>
	9	Erreur de batterie ou pas de signal de batterie.	Placez la batterie dans le produit correctement et examinez le connecteur de batterie. Si la LED d'erreur clignote sur la batterie. Reportez-vous à la section <i>Batterie à la page 250.</i>
	12	Procédure de démarrage incorrecte. La poignée du frein moteur a été engagée avant le démarrage du moteur.	Relâchez la poignée du frein moteur et attendez environ 5 secondes. Appuyez de nouveau sur la poignée du frein moteur pour démarrer le produit.
Autres erreurs.	Si d'autres erreurs se produisent, tournez la clé de sécurité sur 0, retirez la batterie et parlez à un agent spécialisé agréé.		

<sup>37</sup> LC 347iVX, LC353iVX



# Transport, entreposage et mise au rebut

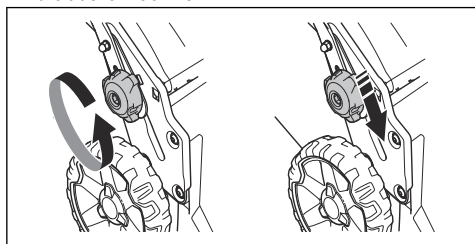
## Introduction



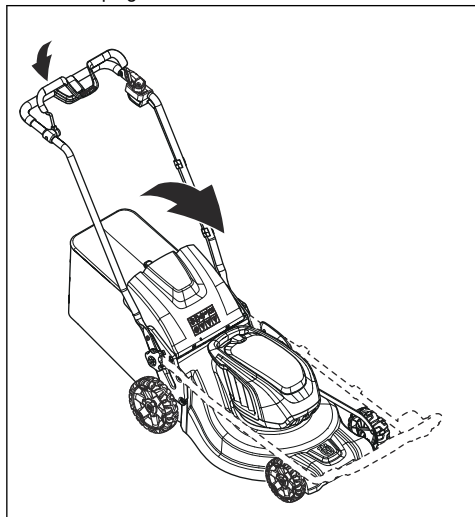
**AVERTISSEMENT:** Pour éviter tout démarrage accidentel lors du transport, tournez la clé de sécurité sur 0, retirez la batterie et attendez au moins 5 secondes.

## Pour régler le produit en position de transport

1. Desserrez les boutons inférieurs.
2. Faites glisser les boutons jusqu'aux extrémités inférieures des rainures sur le côté gauche et le côté droit de la machine.



3. Pliez la poignée vers l'avant.



4. Retirez le collecteur d'herbe.

## Transport

- La législation sur les marchandises dangereuses s'applique aux batteries au lithium-ion fournies.

- Les exigences spécifiques au transport commercial indiquées sur l'emballage et les étiquettes doivent être respectées.
- Assurez-vous de toujours respecter la législation sur les matières dangereuses lorsque vous préparez le produit pour le transport. Des réglementations locales peuvent s'appliquer.
- Retirez toujours la batterie lorsque vous déplacez le produit.
- Posez du ruban adhésif sur les connecteurs de batterie et assurez-vous que la batterie ne puisse pas bouger pendant le transport.
- Sécurisez le produit pendant le transport.

## Remisage

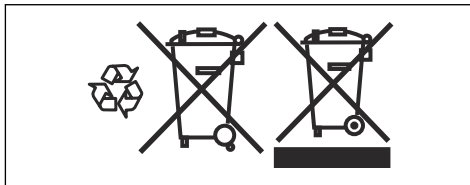
- Avant de remiser le produit, laissez-le refroidir.
- Retirez toujours la batterie lorsque vous entreposez le produit.
- Pour éviter tout accident, assurez-vous que la batterie n'est pas reliée au produit au moment du remisage.
- Conservez le chargeur de batterie dans un endroit sec et fermé.
- Conservez la batterie et le chargeur de batterie dans un endroit sec, à l'abri de l'humidité et du gel.
- Débranchez la batterie du chargeur lors du remisage.
- Ne conservez pas la batterie dans un endroit présentant un risque d'électricité statique. Ne conservez pas la batterie dans une boîte métallique.
- Conservez le produit à une température ambiante comprise entre -10 °C et 40 °C.
- Entreposez la batterie dans un endroit où la température ambiante est comprise entre 5 °C et 25 °C, à l'abri du soleil.
- Entreposez le chargeur de batterie dans un endroit où la température ambiante est comprise entre 5 °C et 45 °C, à l'abri du soleil.
- Assurez-vous que la batterie est chargée entre 30 % et 50 % avant de la remiser pendant de longues périodes.
- Conservez le produit, la batterie et le chargeur de batterie dans un endroit verrouillé, hors de portée des enfants et des personnes non autorisées.
- Nettoyez le produit et assurez-vous que le collecteur d'herbe est vide.
- Effectuez les tâches d'entretien décrites dans le présent manuel d'utilisation. Reportez-vous à la section *Entretien à la page 248*.
- Effectuez un entretien complet avant de remiser le produit pendant de longues périodes.

## Mise au rebut

Les symboles figurant sur le produit ou l'emballage indiquent que ce produit ne peut pas être traité comme un déchet domestique ordinaire. Il doit être déposé dans un site de recyclage prévu pour la récupération d'équipements électriques et électroniques.

En prenant soin correctement de ce produit, vous contribuez à compenser l'éventuel effet négatif sur l'environnement et les personnes, qui autrement pourrait être engendré par la mauvaise gestion de la mise au rebut du produit. Pour obtenir de plus amples

informations sur le recyclage de ce produit, contactez votre municipalité, votre service des ordures ménagères ou le magasin où vous avez acheté ce produit.



## Caractéristiques techniques

### Caractéristiques techniques

	LC 247I	LC 347IVX	LC 353IVX
<b>Moteur de coupe</b>			
Type de moteur	BLDC (sans balais) 36 V	BLDC (sans balais) 36 V	BLDC (sans balais) 36 V
Vitesse du moteur - SavE, tr/min	2 600/min	2 600/min	2 600/min
Vitesse du moteur - nominale, tr/min	3 000/min	3 000/min	3 000/min
Vitesse du moteur - charge élevée, tr/min	3 500/min	3 500/min	3 500/min
Sortie du moteur - max. kW	0,96	0,96	1,05
Sortie moteur - nominale, kW	0,75	0,75	0,9
<b>Moteur d'entraînement</b>			
Sortie moteur - nominale, kW	N/A	0,25	0,25
Vitesse de marche, km/h	N/A	3,0 - 4,5	3,0 - 4,5
Niveaux de réglage de la vitesse	N/A	4	4
<b>Poids</b>			
Poids sans sac (sans batterie), kg	24,5	26	28
Poids avec sac (y compris 2 x BLi30), kg	30,5	32,0	34,5
<b>Batterie</b>			
Type de batterie	Gamme de produits à batterieHusqvarna		
<b>Durée de fonctionnement de la batterie</b>			
Durée de fonctionnement de la batterie, min., (fonctionnement libre) avec fonction SavE activée et une batterie Husqvarna de 7,7 Ah (BLi30).	62	62	46
Durée de fonctionnement de la batterie, min., (fonctionnement libre) avec mode standard activé et une batterie Husqvarna de 7,7 Ah (BLi30).	43	43	28

	LC 247i	LC 347IVX	LC 353IVX
<b>Émissions sonores</b> <sup>38</sup>			
Niveau de puissance sonore, mesuré dB(A)	94	94	97
Niveau de puissance acoustique, garanti L <sub>WA</sub> dB(A)	95	95	98
<b>Niveaux sonores</b> <sup>39</sup>			
Niveau de pression sonore à l'oreille de l'utilisateur, dB (A)	82	82	86
<b>Niveaux de vibrations</b> <sup>40</sup>			
Poignée, m/s <sup>2</sup>	0,42	0,42	2,64
<b>Équipement de coupe</b>			
Hauteur de coupe, en mm	20-75 mm	20-75 mm	20-75 mm
Largeur de coupe, cm	47	47	53
Lame standard	Collecteur 5905934-10	Collecteur 5905934-10	Collecteur 5940757-10
Lame accessoire	Mulch 5907010-10	Mulch 5907010-10	Mulch 5950072-10
Capacité du collecteur d'herbe, en litres	55	55	60

<b>Données de fréquence radio pour Bluetooth®</b>	LC 247i	LC 347IVX	LC 353IVX
Bande de fréquence, GHz	N/A	2,4-2,4835	2,4-2,4835
Puissance de sortie, dBm max.	N/A	4	4

<b>Batteries agréées</b>	Type	Capacité de la batterie, Ah	Tension, V	Poids, lb/kg
BLi20	Lithium-ion	4,0	36	2,6/1,2
BLi30	Lithium-ion	7,7	36	1,9/4,2

<sup>38</sup> Émissions sonores dans l'environnement mesurées comme puissance sonore (L<sub>WA</sub>) selon la directive européenne 2000/14/CE.

<sup>39</sup> Les données reportées pour le niveau de pression sonore présentent un facteur d'incertitude (K) de 1,5 dB (A).

<sup>40</sup> Les données reportées pour le niveau de vibrations présentent un facteur d'incertitude (K) de 1,5 m/s<sup>2</sup>. La valeur totale déclarée des vibrations résulte d'une mesure conforme à la norme EN 62841-4-3, Annexe I, et peut être utilisée pour comparer une machine à une autre et dans le cadre d'une évaluation préliminaire de l'exposition.

<b>Chargeurs agréés pour les batteries spécifiées, BLi</b>	<b>Tension d'entrée, V</b>	<b>Fréquence, Hz</b>	<b>Puissance, W</b>
QC80	100-240	50-60	80
40-C80	100-240	50-60	68,8
QC250	100-240	50-60	250

# Déclaration de conformité

## Déclaration de conformité UE

Nous, **Husqvarna AB**, SE-561 82 Huskvarna, Suède,  
tél : +46-36-146500, déclarons sous notre entière  
responsabilité que le produit :

<b>Description</b>	Tondeuse à gazon
<b>Marque</b>	Husqvarna
<b>Type/Modèle</b>	LC 247i
<b>Identification</b>	Les numéros de série à partir de 2021

sont entièrement conformes à la réglementation et aux  
directives de l'UE suivantes :

<b>Directive/Réglementation</b>	<b>Description</b>
2006/42/CE	« relative aux machines »
2014/30/UE	« relative à la compatibilité électromagnétique »
2000/14/CE	« relative aux émissions sonores dans l'environnement »
2011/65/UE	« relative à la limitation de l'utilisation de certaines substances dangereuses au sein d'équipements électriques et électroniques »

et que les normes et/ou les spécifications techniques  
suivantes sont appliquées : EN 62841-1:2015+AC:2015,  
EN 62841-4-3:2021+A11:2021, EN ISO 12100:2010,  
EN 55014-1:2017+A11:2020, EN 55014-2:2015, EN IEC  
63000:2018.

L'organisme notifié : 0404, RISE SMP Svensk  
Maskinprovning AB, Box 7035, SE-750 07 Uppsala  
a certifié être conforme à la Directive du  
Conseil 2000/14/CE, procédure d'évaluation de la  
conformité : Annexe VI.

Pour toute information relative aux émissions sonores,  
veuillez consulter la section *Caractéristiques techniques*  
à la page 254.

Huskvarna, 2021-12-01



Claes Losdal, Directeur du développement/Articles de  
jardinage, Husqvarna AB

Responsable de la documentation technique



## Déclaration de conformité UE

Nous, **Husqvarna AB**, SE-561 82 Huskvarna, Suède,  
tél : +46-36-146500, déclarons sous notre entière  
responsabilité que le produit :

<b>Description</b>	Tondeuse à gazon
<b>Marque</b>	Husqvarna
<b>Type/Modèle</b>	LC 347iVX, LC 353iVX
<b>Identification</b>	Les numéros de série à partir de 2021-12-01

sont entièrement conformes à la réglementation et aux  
directives de l'UE suivantes :

<b>Directive/Réglementation</b>	<b>Description</b>
2006/42/CE	« relative aux machines »
2014/53/UE	« relative aux équipements radio »
2000/14/CE	« relative aux émissions sonores dans l'environnement »
2011/65/UE	« relative à la limitation de l'utilisation de certaines substances dangereuses au sein d'équipements électriques et électroniques »

et que les normes et/ou les spécifications techniques  
suivantes sont appliquées : EN 62841-1:2015+AC:2015,  
EN 62841-4-3:2021+A11:2021, EN ISO 12100:2010,  
EN 55014-1:2017+A11:2020, EN 55014-2:2015, EN IEC  
63000:2018, EN ETSI 300 328 v.2.2.2, EN 50663: 2017,  
ETSI EN 301 489-1 V2.2.3, ETSI EN 301 489-17 V3.2.4.

L'organisme notifié : 0404, RISE SMP Svensk  
Maskinprovning AB, Box 7035, SE-750 07 Uppsala  
a certifié être conforme à la Directive du  
Conseil 2000/14/CE, procédure d'évaluation de la  
conformité : Annexe VI.

Pour toute information relative aux émissions sonores,  
veuillez consulter la section *Caractéristiques techniques*  
à la page 254.

Huskvarna, 2021-12-01

Claes Losdal, Directeur du développement/Articles de  
jardinage, Husqvarna AB

Responsable de la documentation technique



---

## Marques déposées

---

La marque et les logos *Bluetooth®* sont des marques  
déposées appartenant à *Bluetooth SIG, inc.*, et toute  
utilisation de ces marques par Husqvarna est régie par  
une licence.

---

## Sadržaj

---

Uvod.....	259	Rješavanje problema.....	276
Sigurnost.....	261	Prijevoz, spremanje i zbrinjavanje.....	277
Sastavljanje.....	267	Tehnički podaci.....	279
Rad.....	268	Izjava o sukladnosti.....	281
Održavanje.....	274	Registrirani zaštitni znakovi.....	282

---

## Uvod

---

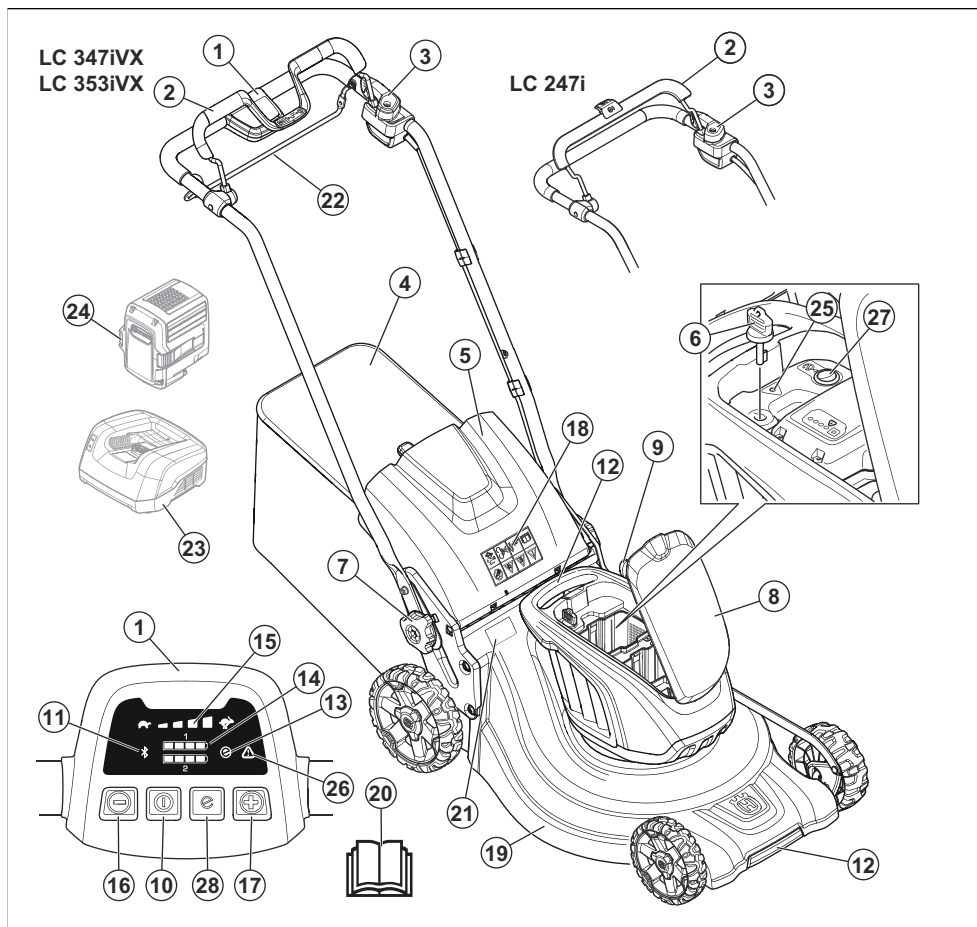
### Opis proizvoda

Proizvod je rotacijska kosilica za travu kojom upravlja pješak. Trava se skuplja u sakupljaču trave. Uklonite sakupljač trave kako biste omogućili izbacivanje trave na stražnjoj strani. Postavite komplet za sječku (dodatna oprema) kako biste travu rezali u gnojivo.

### Namjena

Proizvod upotrebljavajte za rezanje trave. Proizvod nemojte upotrebljavati za druge zadatke.

## Pregled proizvoda



1. Upravljačka ploča (LC 347iVX, LC 353iVX)
2. Ručica motorne kočnice
3. Blokada pokretanja
4. Sakupljač trave
5. Stražnji poklopac
6. Sigurnosni ključ
7. Kotačić upravljača
8. Poklopac baterije
9. Kontrola visine rezanja
10. Gumb ON/OFF
11. Indikator bežične tehnologije *Bluetooth®*
12. Ručice za podizanje
13. Indikator SavE
14. Indikator baterije
15. Indikator razine broja okretaja (LC 347iVX, LC 353iVX)
16. Gumb za smanjenje brzine (LC 347iVX, LC 353iVX)
17. Gumb za povećanje brzine (LC 347iVX, LC 353iVX)
18. Simboli
19. Pokrov noža
20. Korisnički priručnik
21. Natpisna pločica
22. Poluga pogona (LC 347iVX, LC 353iVX)
23. Punjač baterije (dodatna oprema)
24. Baterija (dodatna oprema)
25. LED indikator pogreške (LC 247i)
26. LED indikator pogreške (LC 347iVX, LC 353iVX)
27. Gumb SavE (LC 247i)
28. Gumb SavE (LC 347iVX, LC 353iVX)



## Simboli na proizvodu



UPOZORENJE



Pročitajte upute.



UPOZORENJE – pazite na izbačene predmete.



Promatračima onemogućite pristup.



UPOZORENJE – šake i stopala držite podalje od noževa.



UPOZORENJE – odspojite bateriju prije održavanja.



Proizvod ni njegova ambalaža ne spadaju u kućanski otpad. Reciklirajte ga u reciklažnoj stanici za električnu i elektroničku opremu.



Proizvod ispunjava mjerodavne direktive EC.



Emisije buke u okoliš označena je u skladu s EU i UK direktivama i propisima. Zajamčena razina jačine zvuka proizvoda naznačena je u *Tehnički podaci na stranici 279* i na naljepnici.

## IPX1

Ovaj je proizvod zaštićen od curenja.



Za zaustavljanje otpustite ručicu kočnice motora.



Kôd koji se može skenirati

**Napomena:** Drugi simboli/naljepnice na proizvodu odnose se na zahtjeve za certifikaciju na pojedinim tržištima.

## Naljepnice na proizvodu



OPASNOST – ruke i stopala držite podalje.

## Pouzdanost proizvoda

Sukladno zakonima o pouzdanosti proizvoda nismo odgovorni za oštećenja uzrokovana našim proizvodima ako je:

- proizvod nepravilno popravljen
- proizvod popravljen dijelovima koje nije proizveo proizvođač ili nemaju odobrenje proizvođača
- proizvod ima dodatnu opremu koje nije proizveo proizvođač ili nemaju odobrenje proizvođača
- proizvod nije popravljen u odobrenom servisnom centru ili kod ovlaštene osobe.

## Sigurnost

### Sigurnosne definicije

Upozorenjima, oprezima i napomenama naglašavaju se posebno važni dijelovi priručnika.



**UPOZORENJE:** Koristi se kada nepoštivanje uputa iz priručnika može uzrokovati smrt ili ozljede rukovatelja ili promatrača.



**OPREZ:** Koristi se kada nepoštivanje uputa iz priručnika može uzrokovati oštećenje proizvoda ili drugih materijala u neposrednoj blizini.

**Napomena:** Koristi se prikaz neophodnih dodatnih informacija za zadanu situaciju.

# Opća sigurnosna upozorenja za proizvod



**UPOZORENJE:** Pročitajte sva sigurnosna upozorenja, upute, ilustracije i specifikacije isporučene s ovim proizvodom. Nepoštivanje svih uputa u nastavku može uzrokovati električni udar, požar i/ili ozbiljne ozljede.

## Spremite sva upozorenja i upute za buduće potrebe.

Pojam „proizvod“ u upozorenjima odnosi se na proizvod napajana iz mreže (žični) ili baterijski proizvod (bežični).

## Sigurnost na radnom mjestu

- **Radno mjesto mora biti čisto i dobro osvijetljeno.** Zakrčeni i tamni prostori čest su uzrok nesreća.
- **Proizvod nemojte koristiti u eksplozivnim okruženjima, primjerice u prisutnosti zapaljivih tekućina, plinova ili prašine.** Proizvod proizvodi iskre koje mogu zapaliti prašinu ili isparavanja.
- **Tijekom rada s proizvodom u blizini se ne smiju zadržavati djeca ni promatrači.** Svako ometanje može uzrokovati gubitak nadzora nad strojem.

## Električna sigurnost

- **Utikači proizvodi moraju odgovarati utičnicama.** Nemojte ni na koji način mijenjati utikač. Proizvode sa uzemljenjem nemojte upotrebljavati s utikačima za prilagodbu. Neizmijenjeni utikači i odgovarajuće utičnice smanjuju opasnost od strujnog udara.
- **Izbjegavajte tjelesni kontakt s uzemljenim površinama kao što su cijevi, radijatori, štednjaci i hladnjaci.** Ako vam je tijelo uzemljeno, povećava se opasnost od strujnog udara.
- **Proizvode nemojte izlagati kiši ili mokrim uvjetima.** Voda koja prodire u proizvod povećava opasnost od strujnog udara.
- **Pazite na kabel.** Kabel nemojte upotrebljavati za prenošenje, povlačenje ili isključivanje proizvoda. Držite ga podalje od vrućine, ulja, oštih rubova ili pokretnih dijelova. Oštećeni ili isprepleteni kabeli povećavaju opasnost od strujnog udara.
- **Kada proizvod upotrebljavate na otvorenom, morate upotrebljavati odgovarajući produžni kabel.** Kabel predviđen za upotrebu na otvorenom smanjuje opasnost od strujnog udara.
- **Ako proizvod morate upotrebljavati na vlažnom mjestu, upotrijebite uređaj zaštićen zaštitnim uređajem diferencijalne struje (RCD).** Korištenje RCD uređaja smanjuje rizik od strujnog udara.

## Osobna sigurnost

- **Budite usredotočeni, pazite što radite i razumno upotrebljavajte proizvod.** Proizvod nemojte upotrebljavati umorni ili pod djelovanjem droga, alkohola ili lijekova. Trenutak nepažnje pri upotrebi proizvoda može uzrokovati ozbiljne tjelesne ozljede.

- **Upotrebljavajte opremu za osobnu zaštitu. Uvijek nosite zaštitu za oči.** Upotreba zaštitne opreme poput maske za prašinu, protukliznih zaštitnih cipela, kacige i štitnika za uši u odgovarajućim uvjetima smanjuje opasnost od tjelesnih ozljeda.
- **Spriječite nehotično pokretanje stroja. Prije priključivanja proizvoda na napajanje i/ili baterijski komplet te podizanja ili prenošenja sklopka mora biti u isključenom položaju.** Držanje prsta na sklopki prilikom prenošenja proizvoda ili priključivanje napajanja proizvoda na kojima je sklopka uključena povećava opasnost od nezgode.
- **Prije uključivanja proizvoda izvadite klin za prilagođavanje ili uklonite ključ.** Ako ključ ili klin ostanu na pokretnom dijelu proizvoda, može doći do ozljeda.
- **Ne posežite predaleko. Uvijek imajte dobar oslonac i održavajte ravnotežu.** To omogućuje bolju kontrolu proizvoda u neočekivanim situacijama.
- **Nosite prikladnu odjeću. Nemojte nositi široku odjeću ni nakit.** Kosu i odjeću držite podalje od pomičnih dijelova. Široka odjeća, nakit ili duga kosa mogu zapeti u pokretnim dijelovima stroja.
- **Ako su priloženi uređaji za povezivanje mehanizama za izdvajanje i prikupljanje prašine, pripazite na njihovo pravilno priključivanje i upotrebu.** Upotreba mehanizma za prikupljanje prašine može smanjiti opasnosti uzrokovane prašinom.
- **Zbog rutine nastale čestom primjenom proizvoda nemojte postati samodopadni te zanemarivati sigurnosna pravila.** Neoprezan rad u djeliću sekunde može uzrokovati ozbiljnu ozljedu.

## Korištenje i održavanje

- **Nemojte preopterećivati proizvod. Upotrebljavajte proizvod koja odgovara namjeni.** Odgovarajućim proizvodom posao ćete obaviti bolje i sigurnije, brzinom za koju je dizajniran.
- **Nemojte upotrebljavati proizvod ako sklopka nije moguće uključiti i isključiti.** Proizvod kojim ne možete upravljati sa sklopkom opasan je i mora se popraviti.
- **Prije bilo kakvih izmjena, zamjene dodatne opreme ili spremanja proizvoda odspojite utikač od izvora napajanja i/ili izvadite baterijski paket iz proizvoda, ako je to moguće.** Te preventivne sigurnosne mjere smanjuju opasnost od nehotičnog pokretanja proizvoda.
- **Proizvode koji nisu u uporabi uskladištite izvan dohvata djece, a osobama koje nisu upoznate s proizvodom i nisu pročitale ove upute nemojte dopustiti upotrebu proizvoda.** Proizvodi mogu biti opasni kada njima rukuju neiskusni korisnici.
- **Održavajte proizvode i dodatnu opremu. Provjerite usklađenost pokretnih dijelova, povezanost pokretnih dijelova, cjelovitost dijelova te sva druga stanja koja mogu utjecati na rad proizvoda. Ako postoje oštećenja, prije upotrebe popravite proizvod.** Brojne nezgode uzrokovane su lošim održavanjem proizvoda.

- **Alati za rezanje moraju biti oštri i čisti.** Ispravno održavani alati za rezanje s oštrim reznim oštricama neće se zablokirati te ih je lakše kontrolirati.
- **Proizvod, dodatnu opremu, svrdla itd. upotrebljavajte u skladu s ovim uputama, uzimajući u obzir uvjete rada i posao koji je potrebno obaviti.** Upotreba proizvoda za radove za koje nije namijenjen može uzrokovati opasne situacije.
- **Ručke i prihvatne površine moraju biti suhe, čiste i bez tragova ulja i masti.** Klizave ručke i prihvatne površine u neočekivanim situacijama onemogućuju sigurno rukovanje i kontrolu nad proizvodom.

## Usluga

- **Proizvod mora servisirati obučeni serviser isključivo s jednakim zamjenskim dijelovima.** Time se osigurava zadržavanje sigurnosti proizvoda.
- **Oštećene baterijske pakete nikada nemojte servisirati.** Servisiranje baterijskih paketa dopušteno je samo proizvođaču ili ovlaštenim servisnim distributerima.

## Upotreba i čišćenje alata za bateriju

- **Bateriju puniti samo punjačem koji je odredio proizvođač.** Punjač prikladan za jedan tip baterije može izazvati rizik od požara ako se koristi s drugom baterijom.
- **Proizvod upotrebljavajte samo uz posebno namijenjene baterijske komplete.** Upotreba bilo koje druge baterije može izazvati rizik od ozljede i požara.
- **Kad bateriju ne koristite, držite je daleko od ostalih metalnih predmeta kao što su spojnice za papir, novčići, ključevi, čavli, vijci ili drugi mali metalni predmeti koji bi mogli dovesti do spoja između priključaka.** Kratki spoj između priključaka baterije može prouzročiti opekline ili požar.
- **U uvjetima lošeg postupanja, iz baterije može štrcnuti tekućina, izbjegavajte dodir s njom. Ako slučajno dođe do dodira, isperite vodom. Ako tekućina dođe u dodir s očima, potražite i liječničku pomoć.** Tekućina koja štrcne iz baterije može izazvati iritacije ili opekline.
- **Nemojte upotrebljavati baterijski komplet ili alat koji je oštećen ili modificiran.** Oštećene ili modificirane baterije mogu se nepredvidivo ponašati i time dovesti do požara, eksplozije ili opasnosti od ozljede.
- **Baterijski komplet ni alat nemojte izlagati vatri ni ekstremnim temperaturama.** Izlaganje vatri ili temperaturama većima od 130 °C / 265 °F može dovesti do eksplozija.
- **Pridržavajte se svih uputa za punjenje i baterijski komplet ni alat nemojte puniti izvan temperaturnog raspona navedenog u uputama.** Neispravno punjenje ili držanje na temperaturama izvan navedenog raspona može oštetiti bateriju i povećati mogućnost požara.

## Sigurnosna upozorenja za kosilicu

- **Izbjegavajte upotrebu kosilice u lošim vremenskim uvjetima, pogotovo ako postoji opasnost od gmljavinskog nevremena.** Time smanjujete opasnost od udara munje.
- **Temeljito provjerite ima li u području upotrebe kosilice divljih životinja.** Kosilica u pogonu može ozlijediti divlje životinje.
- **Temeljito pregledajte područje upotrebe kosilice te uklonite sve kamenje, grane, žice, kosti i druge strane predmete.** Izbačeni predmeti mogu uzrokovati tjelesne ozljede.
- **Prije upotrebe kosilice obavezno vizualno provjerite jesu li nož i sklop noža neoštećeni.** Oštećeni ili istrošeni dijelovi povećavaju opasnost od ozljede.
- **Prije upotrebe provjerite ima li na kabelu napajanja ili produžnom kabelu tragova oštećenja ili starenja.** Kosilicu nemojte upotrebljavati ako je kabel oštećen ili istrošen. **Ako se kabel ošteti ili istroši tijekom upotrebe, isključite kosilicu i kabel dodirujte tek nakon odspajanja od napajanja.** Oštećeni kabel napajanja ili produžni kabel može uzrokovati strujni udar, požar i/ili ozbiljne ozljede.
- **Često provjeravajte nije li na skupljaču trave došlo do trošenja ili habanja.** Oštećeni ili istrošeni sakupljač trave povećava opasnost od tjelesne ozljede.
- **Štitnici moraju biti postavljeni. Štitnici moraju biti ispravni i pravilno postavljeni.** Nepričvršćen, oštećen ili neispravan štitnik može uzrokovati tjelesnu ozljedu.
- **Sve ulaze rashladnog zraka čistite od ostataka.** Neprohodni ulazi zraka i ostaci mogu uzrokovati pregrijavanje ili opasnost od požara.
- **Tijekom rada s kosilicom obavezno nosite protukliznu i zaštitnu obuću. Kosilicu nemojte upotrebljavati bosonogi ni u otvorenim sandalama.** Tako smanjujete mogućnost ozljede stopala pri kontaktu s nožem u pokretu.
- **Tijekom upotrebe kosilice obavezno nosite duge hlače.** Vjerojatnost ozljeđivanja izbačenim predmetima povećava se na izloženoj koži.
- **Kosilicu nemojte pogoniti u mokroj travi. Hodajte, nemojte trčati.** Tako smanjujete opasnost od klizanja i pada, pri čemu može doći do osobne ozljede.
- **Kosilicu nemojte upotrebljavati na izrazito strmim kosinama.** Tako smanjujete opasnost od gubitka kontrole, klizanja i pada, pri čemu može doći do osobne ozljede.
- **Kada radite na kosinama, uvijek provjerite uporište, uvijek radite poprečno duž kosine, nikada uz ili niz, i budite iznimno pažljivi pri promjeni smjera.** Tako smanjujete opasnost od gubitka kontrole, klizanja i pada, pri čemu može doći do osobne ozljede.
- **Budite iznimno oprezni prilikom hada unatrag ili povlačenja kosilice prema sebi. Uvijek budite svjesni svoje okoline.** Tako smanjujete opasnost od pada tijekom rada.

- **Kabel napajanja držite podalje od reznih noževa.** Oštećeni kabel napajanja može uzrokovati strujni udar, požar i/ili ozbiljne ozljede.
- **Ako je kabel zapetljan ili oštećen, isključite i odspojite utikač od mreže.** Oštećeni ili isprepleteni kabeli mogu povećati opasnost od strujnog udara.
- **Nemojte dodirivati noževe i druge opasne pokretne dijelove dok su još u pokretu.** Time smanjujete opasnost od ozljeđivanja na pokretnim dijelovima.
- **Pri uklanjanju zaglavljenog materijala ili pranju kosilice provjerite jesu li sve električne sklopke isključene, a električni kabel odspojen.** Neočekivano pokretanje kosilice može uzrokovati ozbiljne tjelesne ozljede.

### Zaštitni uređaj diferencijalne struje

- Upotrijebite zaštitni uređaj diferencijalne struje sa strujom okidanja od najviše 30 mA.

### Opće sigurnosne upute



**UPOZORENJE:** Prije upotrebe proizvoda pročitajte upozoravajuće upute u nastavku.

- Proizvod je opasan ako ga koristite nepravilno ili ako niste oprezni. Nepoštivanje sigurnosnih uputa može uzrokovati ozljede ili smrt.
- Proizvod tijekom rada proizvodi elektromagnetsko polje. To polje u određenim okolnostima može ometati aktivne ili pasivne medicinske implantate. Za smanjenje opasnosti od smrtonosne ozljede osobama s medicinskim implantatima prije korištenja uređaja preporučujemo obraćanje liječniku i proizvođaču medicinskog implantata.
- Uvijek budite pažljivi i razumni. Ako u posebnim situacijama niste sigurni u način upotrebe stroja, prije nastavka stanite i obratite se svom distributeru tvrtke Husqvarna.
- Imajte na umu kako se rukovatelj smatra odgovornim za nezgode koje uključuju druge osobe ili njihovo vlasništvo.
- Proizvod održavajte čistim. Znakovi i naljepnice moraju biti jasno čitljivi.
- Djeci ili osobama koje nisu poznate s ovim uputama ne dopuštajte da upotrebljavaju uređaj. Dob korisnika može biti ograničena lokalnim propisima.
- Osobu smanjenih fizičkih ili mentalnih sposobnosti obavezno nadzirite tijekom uporabe proizvoda. Cijelo vrijeme mora biti prisutna odgovorna odrasla osoba.
- Proizvod nemojte upotrebljavati kada ste umorni, bolesni ili pod utjecajem alkohola, droge ili lijekova. To negativno utječe na vaš vid, pažnju, koordinaciju i prosudbu.
- Nemojte upotrebljavati neispravni proizvod.
- Nemojte izmjenjivati proizvod ili ga upotrebljavati ako postoji mogućnost da je izmijenjen.

### Sigurnost pri radu



**UPOZORENJE:** Prije upotrebe proizvoda pročitajte upozoravajuće upute u nastavku.

- Proizvod upotrebljavajte samo za košenje travnjaka. Upotreba za druge zadatke nije dopuštena.
- Upotrebljavajte opremu za osobnu zaštitu. Pogledajte *Oprema za osobnu zaštitu na stranici 265*.
- Provjerite znate li brzo zaustaviti motor u slučaju nužde.
- Proizvod nemojte pogoniti na kiši ni u mokrim uvjetima. Ako voda prodre u proizvod, povećava se opasnost od električnog udara.
- Proizvod upotrebljavajte samo ako su nož i svi štitnici pravilno postavljeni. Nepravilno postavljen nož može se otpustiti i uzrokovati osobne ozljede.
- Pazite da nožem ne udarate u predmete poput kamenja ili korijenja. Time možete oštetiti nož i saviti vratilo motora. Savijena osovina uzrokuje snažne vibracije i vrlo visoku opasnost od otpuštanja noža.
- Ako nožem udarite u predmet ili osjetite vibracije, odmah zaustavite proizvod. Zaustavite motor, okrenite sigurnosni ključ na 0 i uklonite bateriju. Pričekajte na zaustavljanje pokretnih dijelova. Pregledajte je li proizvod oštećen. Zategnite nepričvršćene dijelove. Popravite oštećenja i zamijenite oštećene dijelove. Popravke prepustite odobrenom servisnom agentu.
- Ručicu kočnice motora nikada trajno nemojte pričvrstiti za ručku kada je motor u pogonu.
- Proizvod postavite na stabilnu, ravnu površinu i pokrenite ga. Noževi ne smiju udarati u tlo ili druge predmete.
- Tijekom rukovanja proizvodom obavezno budite iza njega.
- Tijekom rukovanja proizvodom svi kotači trebaju biti na tlu, a obje ruke na ručki. Šake i stopala držite podalje od rotirajućih noževa.
- Nemojte naginjati proizvod tijekom pokretanja motora ili njegovog pogona.
- Budite pažljivi pri povlačenju proizvoda unatrag.
- Proizvod nikada nemojte podizati kada je motor pokrenut. Ako morate podići proizvod, prvo zaustavite motor, okrenite sigurnosni ključ na 0 i uklonite bateriju.
- Tijekom rada s proizvodom nemojte hodati unatrag.
- Zaustavite motor kada je proizvod nužno nagnuti radi transporta ili prelaska preko površina bez trave, primjerice šljunčanih, kamenih ili asfaltnih putova.
- Nemojte trčati s proizvodom kada je motor pokrenut. Obavezno hodajte tijekom rada s proizvodom.
- Prije promjene visine rezanja zaustavite motor. Nemojte provoditi prilagodbe s pokrenutim motorom.

- Proizvod s pokrenutim motorom ne ispuštajte iz vida. Zaustavite motor i provjerite je li rezna oprema zaustavljena.
- Vibracije na proizvodu u pogonu mogu se razlikovati od vrijednosti vibracija navedenih pod *Tehnički podaci na stranici 279*. Razlikuju uzrokuju varijacije u načinu upotrebe proizvoda. Ako proizvod često pogonite dugo, redovito odmarajte kako biste spriječili ozljede uzrokovane vibriranjem.

## Sigurnosne upute za rad

### Oprema za osobnu zaštitu



**UPOZORENJE:** Prije upotrebe proizvoda pročitajte upozoravajuće upute u nastavku.

- Oprema za osobnu zaštitu ne može u potpunosti spriječiti ozljede, no smanjuje stupanj ozljede u slučaju nezgode. Pri odabiru odgovarajuće opreme zatražite pomoć ovlaštenog trgovca.
- Nosite čizme otporne na klizanje ili cipele za teške uvjete rada. Nemojte nositi otvorene cipele ili biti bos.
- Nosite teške, duge hlače.
- Prema potrebi nosite zaštitne rukavice, primjerice prilikom pričvršćivanja, pregleda ili čišćenja rezne opreme.
- Preporučujemo upotrebu zaštite sluha.

### Sigurnosni uređaji za proizvod



**UPOZORENJE:** Prije upotrebe proizvoda pročitajte upozoravajuće upute u nastavku.

- Nemojte koristiti proizvod s oštećenim zaštitnim uređajima.
- Sigurnosne uređaje nije dopušteno uklanjati ili izmjenjivati.
- Redovito pregledavajte sigurnosne uređaje. Ako su sigurnosni uređaji neispravni, obratite se Husqvarna ovlaštenom trgovcu.

### Provjera reznog poklopca

Rezni poklopac smanjuje vibriranje proizvoda te opasnost od ozljede nožem.

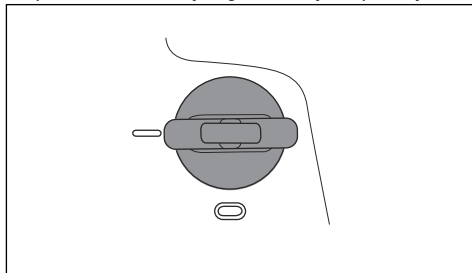
- Provjerite ima li na pokrovu noža oštećenja, primjerice napuklina.

### Provjera sigurnosnog ključa

Sigurnosni ključ nalazi se ispod poklopca baterije. Sigurnosni ključ priključuje bateriju koja napaja motor.

- Pokrenite i zaustavite motor kako biste provjerili sigurnosni ključ.

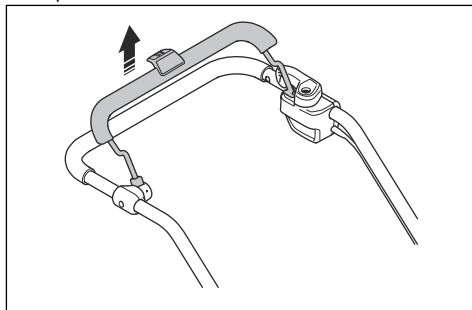
- Ako sigurnosni ključ ispravno funkcioniра, motor se pokreće samo kad je sigurnosni ključ u položaju 1.



### Provjera ručice kočnice motora

Ručicom kočnice motora zaustavljate motor. Motor se zaustavlja po otpuštanju ručice kočnice motora.

- Pokrenite proizvod. Pogledajte *Rad na stranici 268*.
- Otpustite ručicu kočnice motora.

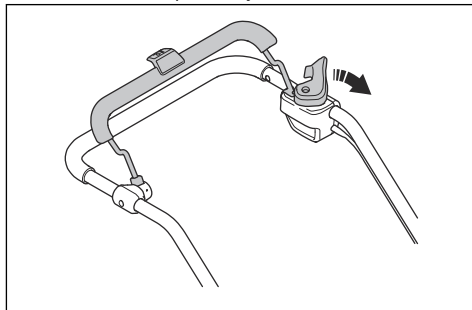


- Provjerite je li se proizvod zaustavio. Ako se motor ne zaustavi za 3 sekunde, podesite kočnicu motora kod servisera tvrtke Husqvarna.

### Provjera blokade paljenja

Ispitajte blokadu pokretanja kako biste se uvjerali da sprječava pogon motora.

1. Ručicu kočnice motora gurnite prema upravljaču. Blokada pokretanja zaustavlja pomak.
2. Istisnite blokadu pokretanja.



3. Otpustite blokadu pokretanja i provjerite vraća li se u početni položaj.

## Sigurnost baterije



**UPOZORENJE:** Prije upotrebe proizvoda pročitajte upozoravajuće upute u nastavku.

- Upotrebljavajte punjive baterije tvrtke Husqvarna samo za napajanje odgovarajućih proizvoda tvrtke Husqvarna. Bateriju nemojte upotrebljavati za napajanje drugih proizvoda jer postoji opasnost od ozljeda.
- Nemojte upotrebljavati baterije koje nisu punjive.
- Opasnost od strujnog udara. Polove baterije nemojte spajati s ključevima, kovanicama, vijcima ili drugim metalom. Tako može doći do kratkog spoja baterije.
- Nemojte umetati predmete u zračne otore baterije.
- Bateriju zaštitite od sunčeve svjetlosti, vrućine i otvorenog plamena. Baterija može eksplodirati i uzrokovati opekline i/ili kemijske opekline.
- Zaštitite bateriju od kiše i mokrih uvjeta.
- Zaštitite bateriju od mikrovalova i visokog tlaka.
- Bateriju nemojte rastavljati ili razbijati.
- Ako baterija počne propuštati, nemojte dopustiti da vam tekućina dospije na kožu ili u oči. Ako ste dodirnuli tekućinu, očistite to mjesto velikom količinom vode i zatražite medicinsku pomoć.
- Bateriju u proizvodu primjenjujte samo pri temperaturama okoline između 5 °C – 40 °C.
- Punjač baterije upotrebljavajte samo pri temperaturama okoline između 5 °C – 40 °C.
- Baterija se neće puniti ako je njezina temperatura viša od 50 °C.
- Bateriju ili punjač baterije nikada nemojte čistiti vodom. Pogledajte *Za čišćenje baterije i punjača baterija na stranici 275*.
- Nemojte upotrebljavati neispravnu ili oštećenu bateriju.
- Baterije skladištite dalje od metalnih predmeta poput čavala, kovanica i nakita.

## Sigurnost punjača baterije



**UPOZORENJE:** Prije upotrebe proizvoda pročitajte upozoravajuće upute u nastavku.

- Punjače baterija QC upotrebljavajte samo za punjenje zamjenskih baterija tvrtke Husqvarna.
- Opasnost od strujnog udara ili kratkog spoja. Nemojte umetati predmete u zračne otore punjača. Nemojte rastavljati punjač baterije. Priključke baterije nemojte spajati metalnim predmetima. Upotrebljavajte odobrenu mrežnu utičnicu.
- Proizvod tijekom rada proizvodi elektromagnetsko polje. To polje u određenim okolnostima može ometati aktivne ili pasivne medicinske implantate.

Za smanjenje opasnosti od uvjeta koji mogu uzrokovati ozljede ili smrt, osobama s medicinskim implantatima prije korištenja ovog uređaja preporučujemo obraćanje liječniku i proizvođaču medicinskog implantata.

- Redovno provjeravajte je li kabel za napajanje punjača baterije neoštećen te je li ispucao.
- Punjač baterije nemojte podizati za električni kabel. Za odspajanje punjača baterije od zidne utičnice izvucite utikač. Nemojte povlačiti kabel za napajanje.
- Kabel za napajanje i produžne kabele držite podalje od vode, ulja i oštiri rubova. Kabel nemojte prignječiti vratima, ogradama i sl. To može narinuti napon na punjač.
- Punjač baterije nemojte čistiti vodom.
- Punjač baterije mogu koristiti djeca od 8 godina i starija te osobe s umanjenim fizičkim, osjetilnim ili mentalnim sposobnostima ili nedostatkom iskustva i znanja ako je osiguran njihov nadzor ili ako su upućeni u sigurno korištenje uređaja te razumiju obuhvaćene opasnosti. Djeca se ne smiju igrati punjačem baterije. Čišćenje i održavanje ne smiju provoditi djeca bez nadzora.
- Punjačem baterije nije dopušteno puniti nepunjive baterije.
- Punjač baterije nemojte upotrebljavati u blizini zapaljivih materijala ili materijala koji mogu uzrokovati koroziju. Nemojte pokrivati punjač baterije. Ako dođe do razvoja dima ili požara, odspojite utikač punjača baterije.
- Nemojte upotrebljavati neispravan ili oštećen punjač baterije.
- Bateriju puniti isključivo u dobro prozračenom zatvorenom prostoru bez izravne sunčeve svjetlosti. Bateriju nije dopušteno puniti u vlažnim uvjetima.

## Sigurnosne upute za održavanje



**UPOZORENJE:** Prije upotrebe proizvoda pročitajte upozoravajuće upute u nastavku.

- kako biste spriječili nenamjerno pokretanje tijekom održavanja, okrenite sigurnosni ključ na 0 i uklonite bateriju. Pričekajte najmanje 5 sekundi prije početka održavanja.
- Provodite samo održavanje opisano u ovom korisničkom priručniku. Opsežnije radove i profesionalne popravke obavezno provodi ovlašteni servisni agent. Za više informacija obratite se najbližem serviseru.
- Pravilno provedite radove održavanja kako biste produljili vijek trajanja proizvoda i smanjili opasnost od nezgoda.
- Zamijenite oštećene, istrošene ili polomljene dijelove. Obavezno upotrebljavajte originalne rezervne dijelove odgovarajućeg proizvođača. Drugi rezervni dijelovi mogu oštetiti proizvod i povećavaju opasnost od nezgoda.

- Kako biste spriječili ozljede, nemojte uklanjati ili izmjenjivati sigurnosne uređaje.
- Tijekom rada s reznom opremom nosite rukavice na teške uvjete rada. Nož je vrlo oštar i lako dolazi do posjekotina.
- Rezne rubove održavajte naoštrenima i čistima kako biste osigurali najsigurnije radne značajke.
- Redovno pregledavajte proizvod i provodite potrebne prilagodbe i popravke kod servisera.
- Pridržavajte se uputa za zamjenu dodatne opreme. Upotrebljavajte isključivo dodatnu opremu proizvođača.
- Kada ih ne upotrebljavate, proizvod, bateriju i punjač baterije skladištite odvojeno u zatvorenom, suhom i zaključanom prostoru. Djeci i neovlaštenim osobama onemogućite pristup proizvodu, bateriji i punjaču.

## Sastavljanje

### Uvod



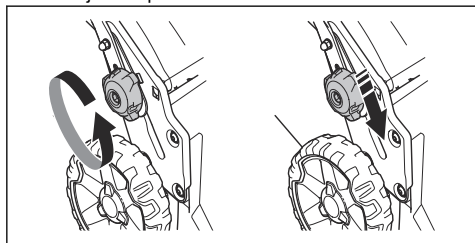
**UPOZORENJE:** Prije sastavljanja proizvoda pročitajte poglavlje o sigurnosti.



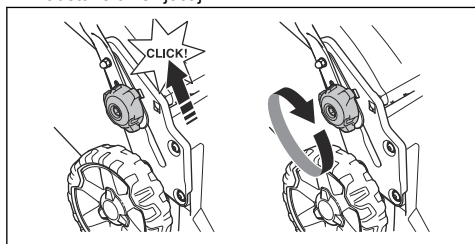
**UPOZORENJE:** Kako biste spriječili nenamjerno pokretanje pri sastavljanju okrenite sigurnosni ključ na 0, uklonite bateriju i pričekajte najmanje 5 sekundi.

### Prilagodba ručke

1. Otpustite donje vijke.
2. Pomaknite kotačiće u donji dio utora na lijevoj i desnoj strani proizvoda.



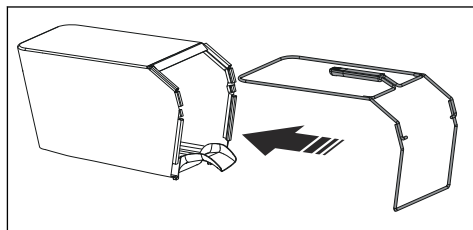
3. Postavite visinu ručke u jednu od dva dostupna položaja.
4. Pomičite kotačiće gore u smjeru ručke dok se ne zaustave uz škljocaj.



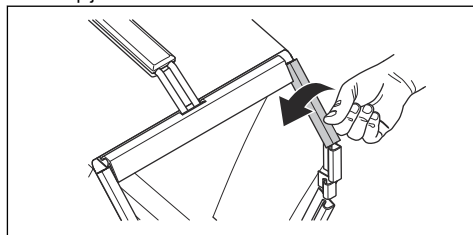
5. Kotačiće zategnite do kraja.

### Montaža sakupljača trave

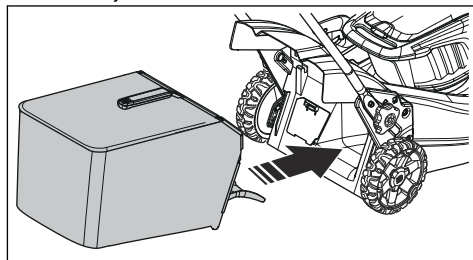
1. Okvir sakupljača trave pričvrstite za vreću za travu tako da krući dio vreće bude na dnu. Ručka okvira treba biti na vrhu vreće za travu.



2. Donji dio okvira sakupljača trave pričvrstite u utor na dnu sakupljača trave.
3. Vreću za travu kopčama pričvrstite za okvir sakupljača trave.

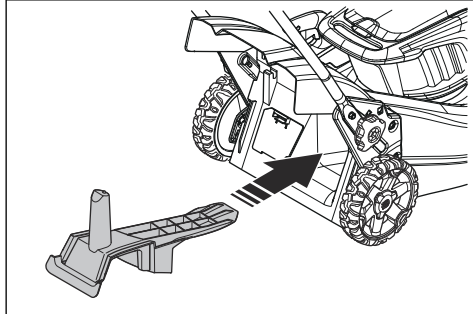


4. Podignite stražnji poklopac.
5. Pričvrstite hvatač trave za gornji rub šasije.
6. Donji dio sakupljača trave umetnite u kanal za izbacivanje trave.



## Sastavljanje priključka za sječku (dodatna oprema)

1. Podignite stražnji poklopac i uklonite sakupljač trave.
2. Priključak za sječku umetnite u kanal za izbacivanje.



3. Zamijenite nož s nožem za sječku iz kompleta za sječku. Pogledajte *Zamjena noža na stranici 275*.

## Rad

### Uvod



**UPOZORENJE:** Prije rada s proizvodom morate pročitati i usvojiti poglavlje o sigurnosti.

### Husqvarna Connect

Husqvarna Connect besplatna je aplikacija za mobilni uređaj. Aplikacija Husqvarna Connect pruža vam dodatne funkcije za proizvod Husqvarna.

- Opširnije informacije o proizvodu.
- Dodatne informacije i pomoć za dijelove i servisiranje proizvoda.

### Početak rada s Husqvarna Connect

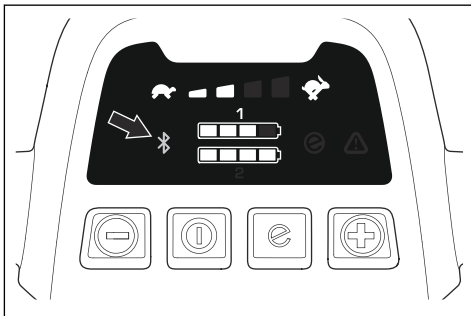
1. Preuzmite aplikaciju Husqvarna Connect na svoj mobilni uređaj.
2. Registrirajte se u aplikaciji Husqvarna Connect.
3. Pratite korake iz uputa u aplikaciji Husqvarna Connect kako biste se povezali i registrirali proizvod.

**Napomena:** Aplikacija Husqvarna Connect nije na svim tržištima dostupna za preuzimanje. Za više informacija obratite se servisnom distributeru.

### Informacije za Bluetooth® (LC 347iVX, LC 353iVX)

#### Bluetooth® bežična tehnologija

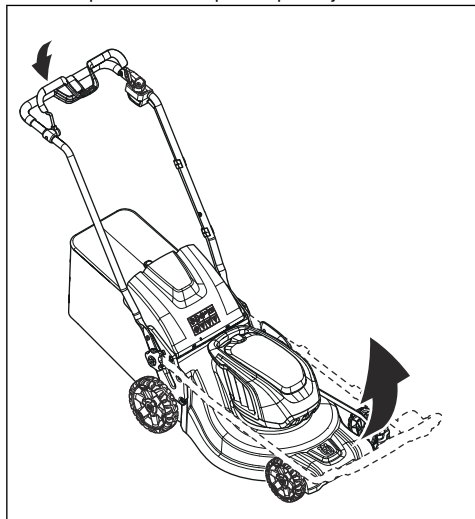
Simbol za *Bluetooth®* bežičnu tehnologiju pojavljuje se kada je vaš mobilni uređaj povezan s ovim proizvodom.



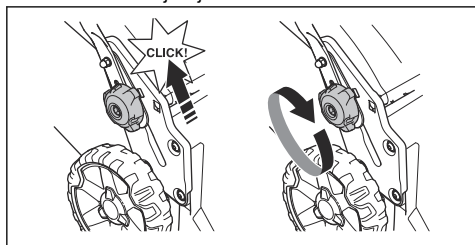


## Postavljanje proizvoda u položaj za rad

1. Preklopite ručicu u uspravan položaj.



2. Pomičite kotačiće gore u smjeru ručice dok se ne zaustave uz škljocaj.



3. Kotačiće zategnite do kraja.



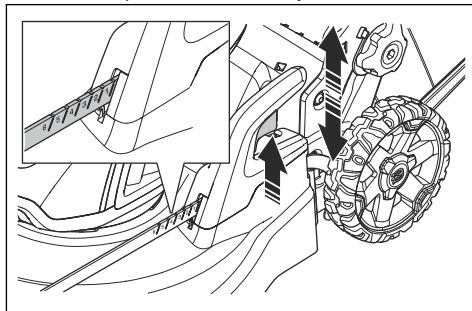
**UPOZORENJE:** Proizvod nemojte upotrebljavati ako ručica nije potpuno podignuta i postavljena u jedan od primjenjivih položaja visine. Pogledajte *Prilagodba ručke na stranici 267.*

## Postavljanje visine rezanja

Visina rezanja podesiva je na 6 razina.

1. Polugu za visinu rezanja pomaknite prema dolje kako biste smanjili visinu rezanja.

2. Polugu za visinu rezanja pomaknite prema gore kako biste povećali visinu rezanja.



**OPREZ:** Visinu rezanja nemojte postaviti prenisko. Noževi mogu udariti u tlo ako površina travnjaka nije ravna.

## Baterija



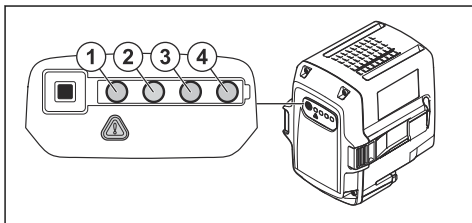
**UPOZORENJE:** Prije upotrebe baterije morate pročitati i usvojiti poglavlje o sigurnosti. Također morate pročitati i usvojiti korisnički priručnik za bateriju i punjač baterije.

Bateriju i punjač čuvajte na ispravnoj temperaturi okoline.

	Temperatura okoline
Rad baterije	5 °C – 40 °C
Punjenje baterije	5 °C – 40 °C

## Status baterije

Na zaslonu se prikazuje preostali kapacitet baterije te postoje li problemi s baterijom. Kapacitet baterije prikazuje se na 5 sekundi nakon isključenja proizvoda ili pritiskanja gumba indikatora baterije. Kada dođe do pogreške uključuje se simbol upozorenja na bateriji. Pogledajte *Baterija na stranici 276.*



LED indikator	Status baterije
Svi LED indikatori svijetle	Potpuno napunjena (75 – 100%)

LED indikatori	Status baterije
Svijetle indikatori LED 1, LED 2 i LED 3	Baterija je napunjena 50% – 75%
Svijetle indikatori LED 1 i LED 2	Baterija je napunjena 25% – 50%
Svijetli indikator LED 1	Baterija je napunjena 0% – 25%.
Indikator LED 1 treperi	Baterija je prazna. Napunite bateriju.

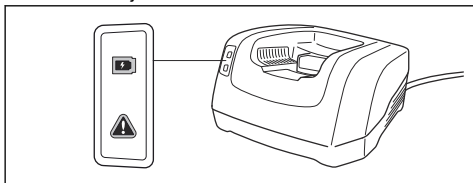
## Zamjena baterije

Prije prve upotrebe napunite bateriju. Baterija je pri isporuci kupcu napunjena samo 30%.

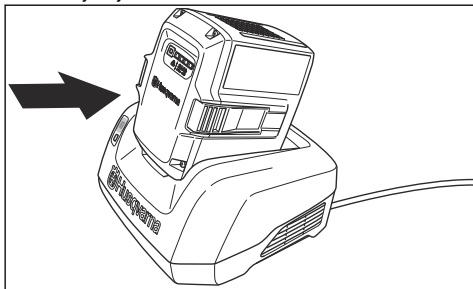
**Napomena:** Punjač baterije morate spojiti na napon i frekvenciju koji su navedeni na natpisnoj pločici.

Baterija se ne puni ako je temperatura baterije viša od 50 °C. Punjač baterije smanjuje temperaturu baterije prije početka punjenja.

1. Jedan kraj kabela za napajanje punjača baterije priključite na utičnicu na punjaču baterije.
2. Drugi kraj kabela za napajanje punjača baterije priključite na uzemljenu mrežnu utičnicu. LED indikator na punjaču baterije zatreperi jednom zelenom bojom.



3. Postavite bateriju u punjač baterije. Ako je baterija pravilno priključena na punjač baterije, na punjaču se uključuje zeleni indikator.



4. Kada na bateriji svijetle svi LED indikatori, baterija je potpuno napunjena. Bateriju punite najdulje 24 sata.
5. Za odspajanje punjača baterije od mrežne utičnice povucite priključak, ne kabel.

6. Izvadite bateriju iz punjača baterije.

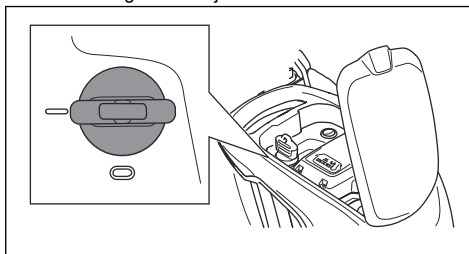
## Status punjača baterije

Litij-ionsku bateriju tvrtke Husqvarna možete puniti ili upotrebljavati pri bilo kojoj razini napunjenosti. Baterija nije oštećena. Potpuno napunjena baterija neće se prazniti kada je ostavite u punjaču.

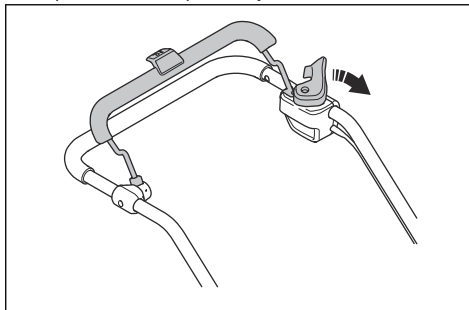
LED zaslon	Stanje punjenja
Indikator LED 1 treperi	0% – 25%
Svijetli indikator LED 1, indikator LED 2 treperi	25% – 50%
Svijetle indikatori LED 1, LED 2, indikator LED 3 treperi	50% – 75%
Svijetle indikatori LED 1, LED 2, LED 3, indikator LED 4 treperi	75% – 100%
Svijetle indikatori LED 1, LED 2, LED 3 i LED 4	Potpuno napunjena

## Pokretanje proizvoda (LC 247i)

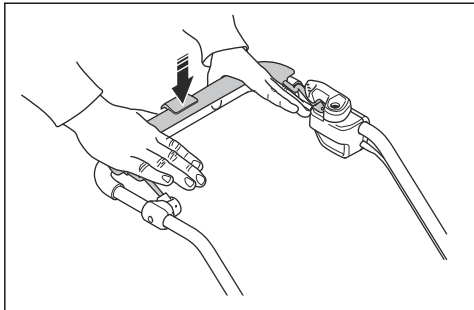
1. Otvorite poklopac baterije.
2. Napunjenu bateriju stavite u 1 od pretinaca za baterije. Za dulje vrijeme rada umetnite i drugu napunjenu bateriju u drugi pretnac za baterije.
3. Okrenite sigurnosni ključ na 1.



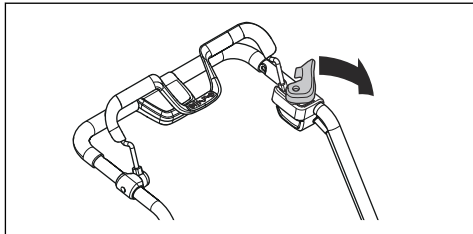
4. Stanite iza proizvoda.
5. Otpustite blokadu pokretanja.



6. Ručicu kočnice motora gurnite prema upravljaču.

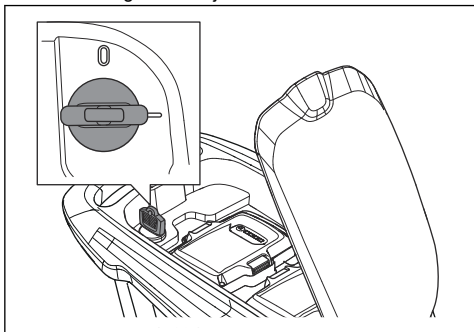


6. Otpustite blokadu pokretanja.



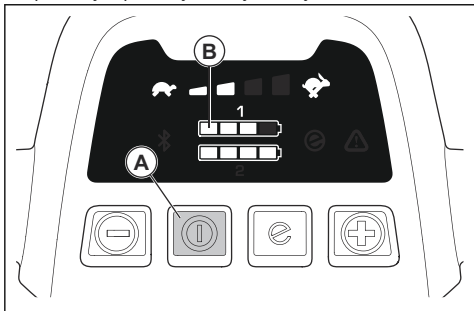
## Pokretanje proizvoda (LC 347iVX, LC 353iVX)

1. Otvorite poklopac baterije.
2. Napunjenu bateriju stavite u 1 od pretinaca za baterije. Za dulje vrijeme rada umetnite i drugu napunjenu bateriju u drugi pretinac za baterije.
3. Okrenite sigurnosni ključ na 1.

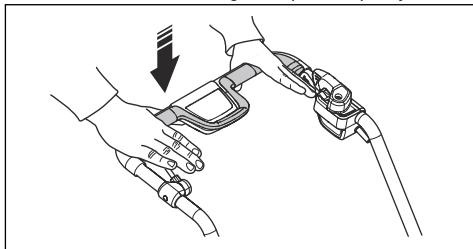


4. Stanite iza proizvoda.

5. Pritisnite gumb ON/OFF (UKLJUČIVANJE / ISKLJUČIVANJE) (A) na upravljačkoj ploči. Uključuje se zaslon. Indikator baterije (B) pokazuje napunjenost 2 baterije. Broj umetnutih baterija prikazan je pokraj indikatora baterije. Za modele LC 347iVX, LC 353iVX na zaslonu se također prikazuje i postavljeni broj okretaja.

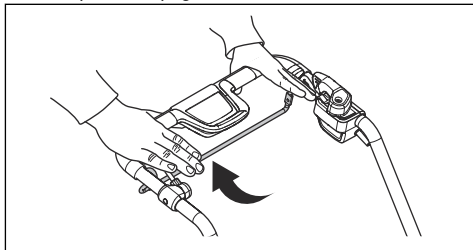


7. Ručicu kočnice motora gurnite prema upravljaču.

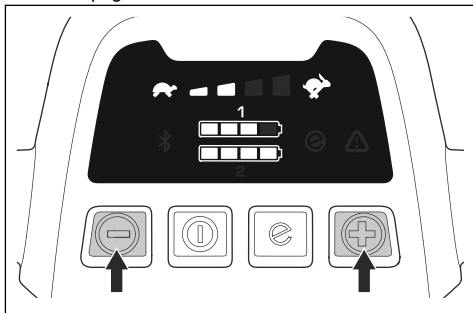


## Upotreba pogona na kotačima LC 347iVX, LC 353iVX

- Povucite polugu pogona u smjeru upravljača kako biste pokrenuli pogon.



- Pritisnite + i - na upravljačkoj ploči za postavljanje brzine pogona u 4 koraka.

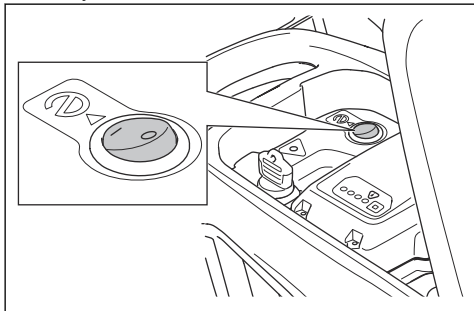


- Otpustite polugu pogona kako biste odspojili pogon, primjerice kada se približavate prepreci.

## Upotreba funkcije SavE™ (LC 247i)

Proizvod ima funkciju za uštedu baterije (SavE™) koja omogućuje dulje vrijeme rada.

- Pritisnite gumb SavE™ u položaj 1 da biste pokrenuli funkciju.



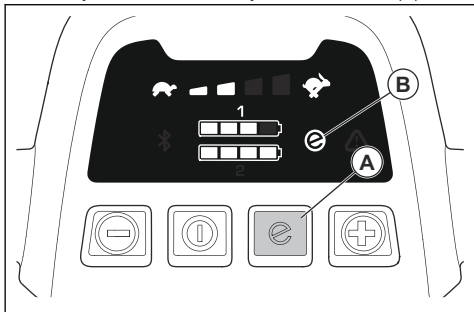
- Pritisnite gumb SavE™ u položaj 0 da biste zaustavili funkciju.

**Napomena:** Funkcija SavE™ automatski se zaustavlja ako uvjeti na tlu zahtijevaju veću snagu. Funkcija SavE™ automatski se ponovno uključuje kada to dopuste uvjeti na tlu.

## Upotreba funkcije SavE™ (LC 347iVX, LC 353iVX)

Proizvod ima funkciju za uštedu baterije (SavE™) koja omogućuje dulje vrijeme rada.

1. Pritisnite gumb SavE™ (A) kako biste pokrenuli funkciju. Na zaslonu se pojavljuje simbol SavE™ (B).
2. Ponovno pritisnite gumb SavE™ da biste zaustavili funkciju. Sa zaslona nestaje simbol SavE™ (B).



**Napomena:** Funkcija SavE™ automatski se zaustavlja ako uvjeti na tlu zahtijevaju veću snagu. Funkcija SavE™ automatski se ponovno uključuje kada to dopuste uvjeti na tlu.

## Funkcija za velika opterećenja

Kada proizvodom kosite vlažnu travu, motor automatski povećava broj o/min. Motor se vraća u standardni način rada kada više nije potrebna velika snaga.

## Automatsko ponovno pokretanje

Tijekom rada može doći do privremenog zaustavljanja noža i motora uzrokovanog preprekama poput nakupina trave ispod reznog poklopca. Ako se to dogodi, ručicu kočnice motora zadržite pritisnutu i proizvod će se pokušati automatski ponovno pokrenuti. Ako se proizvod ponovno ne pokrene za pet sekundi, može biti nužno očistiti ispod reznog poklopca. Pogledajte *Za čišćenje proizvoda na stranici 274*.



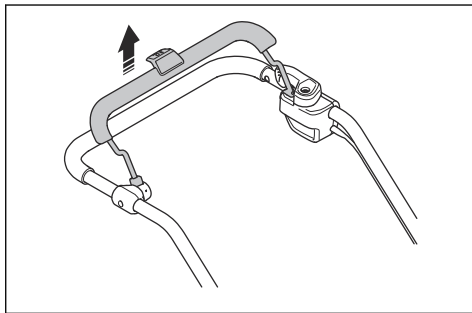
**UPOZORENJE:** Prije provjere reznog poklopca otpustite ručicu kočnice motora, sigurnosni ključ okrenite na 0, uklonite bateriju i pričekajte najmanje 5 sekundi. Ako dođe do otpuštanja prepreke i nehotičnog pokretanja proizvoda, može doći do ozljede.

## Zaustavljanje proizvoda (LC 247i)

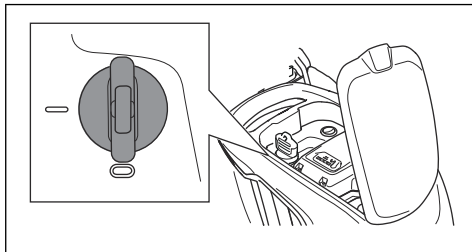


**UPOZORENJE:** Prije ostavljanja proizvoda bez nadzora okrenite sigurnosni ključ na 0.

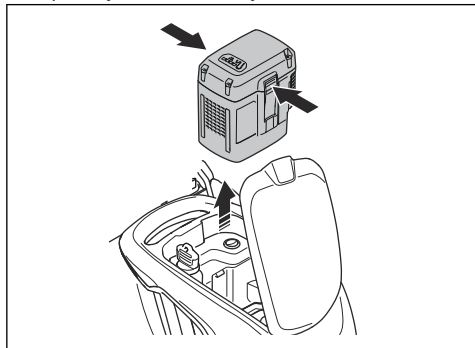
1. Otpustite ručicom kočnice motora kako biste zaustavili motor.



2. Otvorite poklopac baterije i okrenite sigurnosni ključ na 0.



3. Za uklanjanje baterije pritisnite 2 gumba za otpuštanje i izvadite bateriju.



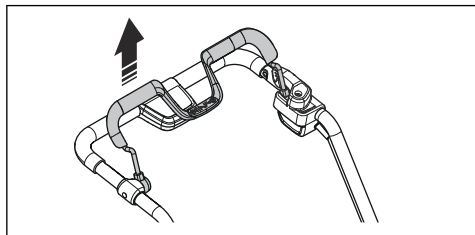
4. Zamijenite slabu bateriju. Dodatne informacije potražite u odjeljku *Zamjena baterije na stranici 270*.

## Zaustavljanje proizvoda (LC 347iVX, LC 353iVX)

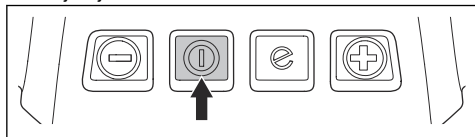


**UPOZORENJE:** Prije ostavljanja proizvoda bez nadzora okrenite sigurnosni ključ na 0.

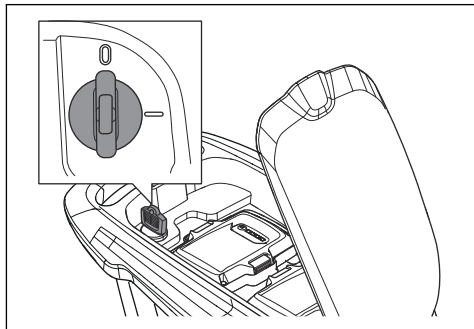
1. Otpustite ručicom kočnice motora kako biste zaustavili motor.



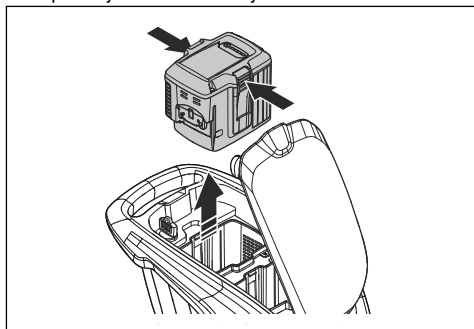
2. Pritisnite gumb ON/OFF na upravljačkoj ploči. Isključuju se svi LED indikatori i simboli na zaslonu.



3. Otvorite poklopac baterije i okrenite sigurnosni ključ na 0.



4. Za uklanjanje baterije pritisnite 2 gumba za otpuštanje i izvadite bateriju.



5. Zamijenite slabu bateriju. Dodatne informacije potražite u odjeljku *Zamjena baterije na stranici 270*.

**Napomena:** Proizvod se automatski zaustavlja ako ga ne upotrebljavate nekoliko minuta. Kako biste ponovno pokrenuli proizvod pogledajte *Pokretanje proizvoda (LC 347iVX, LC 353iVX) na stranici 271*.

## Za dobar ishod

- Uvijek upotrebljavajte oštar nož. Tup nož daje nepravilne rezultate, a rezana površina trave požuti. Oštar nož također troši manje energije od tupog.
- Nemojte rezati više od  $\frac{1}{3}$  od duljine trave. Prvo kosite s visoko postavljenom visinom za rezanje. Provjerite rezultat i spustite visinu rezanja na prihvatljivu razinu. Ako je trava vrlo dugačka, vozite polako i po potrebi kosite 2 puta.
- Svaki put kosite u drugom smjeru kako biste spriječili nastanak traka na travnjaku.
- Pokrov noža mora biti čist. Nakupine trave i prljavštine s unutarnje strane pokrova noža mogu umanjiti rezultate rezanja. Pogledajte *Za čišćenje proizvoda na stranici 274*.

## Košenje trave bez postavljenog sakupljača trave ili priključka za sječku

- Podignite stražnji poklopac i uklonite sakupljač trave.

- Ako su postavljeni priključak za sječku i nož za sječku, uklonite ih.
- Prije upotrebe proizvoda zatvorite stražnji poklopac.

Pri upotrebi proizvoda trava se izbacuje ispod stražnjeg poklopca.

## Održavanje

### Uvod



**UPOZORENJE:** Prije održavanja morate pročitati i usvojiti poglavlje o sigurnosti.

Za sve radove servisiranja i održavanja na proizvodu potrebna je posebna obuka. Jamčimo dostupnost profesionalnih popravaka i servisa. Ako vaš distributer nije serviser, od njega zatražite informacije o najbližem serviseru.

Detaljnije informacije potražite pod [www.husqvarna.com](http://www.husqvarna.com).

### Raspored održavanja

Intervali održavanja izračunati su za dnevnu upotrebu proizvoda. Intervali se mijenjaju ako se proizvod ne upotrebljava svakodnevno.

Za održavanja označena s \* pogledajte upute u *Sigurnost na stranici 261*.

	Svake upotrebe	Mjesečno	Svake sezone
Provedite opći pregled	X		
Očistite proizvod	X		
Provjerite blokadu paljenja *	X		
Provjerite ispravnost sigurnosnih uređaja na proizvodu *	X		
Pregledajte reznu opremu	X		
Pregledajte pokrov noža *	X		
Provjerite ručicu kočnice motora *	X		
Provjerite ispravnost i neoštećenost gumba ON/OFF (uključeno/isključeno)	X		
Provjerite jesu li baterija oštećena	X		
Provjerite napunjenost baterije	X		
Provjerite ispravnost gumba za otpuštanje baterije i pričvršćivanje baterije u proizvod	X		
Provjerite je li punjač baterije oštećen i uvjerite se u njegovu ispravnost rada.		X	
Pregledajte spojeve između baterije i proizvoda. Također pregledajte spojeve između baterije i punjača baterije.			X

### Za opći pregled

- Provjerite jesu li zategnuti matice i vijci na proizvodu.
- Kabeli na proizvodu ne smiju biti u položaju u kojem se mogu oštetiti.

### Za čišćenje proizvoda

- Plastične dijelove čistite čistom i suhom krpom.

- Proizvod nemojte čistiti vodom. Voda može prodrijeti u bateriju ili motor i uzrokovati kratki spoj ili oštetiti proizvod.
- Za čišćenje proizvoda nemojte koristiti visokotlačni stroj za pranje.
- Nemojte liti vodu izravno na motor.
- Četkom uklonite lišće, travu i onečišćenja.

## Za čišćenje baterije i punjača baterija



**UPOZORENJE:** Bateriju ili punjač baterije nikada nemojte čistiti vodom.

- Prije umetanja baterije u punjač baterije provjerite jesu li baterija i punjač baterije čisti i suhi.
- Očistite polove baterije komprimiranim zrakom ili upotrijebite mekanu i suhu krpom.
- Površine baterije i punjač baterije očistite mekanom i suhom krpom.

## Za pregled rezne opreme



**UPOZORENJE:** Kako biste spriječili nenamjerno pokretanje sigurnosni ključ okrenite na 0, uklonite bateriju i pričekajte najmanje 5 sekundi.



**UPOZORENJE:** Tijekom održavanja rezne opreme nosite zaštitne rukavice. Nož je vrlo oštar i lako dolazi do posjekotina.

1. Pregledajte ima li na reznoj opremi oštećenja ili pukotina. Oštećenu reznu opremu obavezno zamijenite.
2. Pregledajte nož kako biste ustanovili je li oštećen ili tup.

**Napomena:** Nakon oštrenja nož je nužno uravnotežiti. Nož naoštrite, zamijenite i uravnotežite u servisnom centru. Ako se pri udaru u prepreku proizvod zaustavi, zamijenite oštećeni nož. Procjenu za oštrenje ili zamjenu noža prepustite servisnom centru.

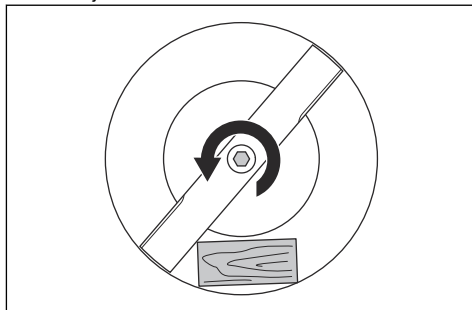
## Zamjena noža

Odgovarajuću vrstu noža potražite pod *Tehnički podaci na stranici 279.*

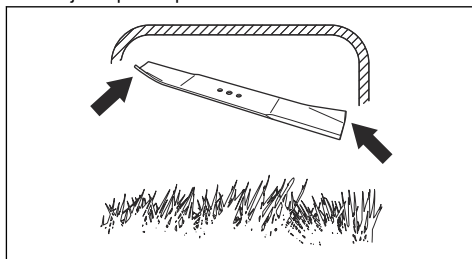


**UPOZORENJE:** Blokirate nož drvenim blokom kako biste spriječili ozljede prstiju pri zamjeni noža. Nož je pomičan kada je motor isključen te može doći do zaglavljena prstiju između noža i nepomičnih dijelova.

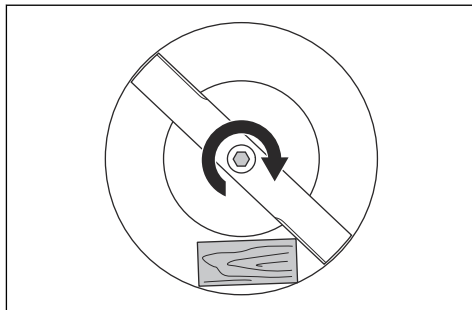
1. Blokirate nož drvenim blokom.



2. Uklonite vijak noža.
3. Uklonite nož.
4. Provjerite jesu li nosač noža i vijak noža neoštećeni.
5. Pregledajte vratilo motora kako biste se uvjerali da nije savijeno.
6. Zaobljene rubove novog noža pri postavljanju usmjerite prema pokrovu noža.



7. Nož mora biti poravnan sa središtem vratila motora.
8. Blokirate nož drvenim blokom. Postavite elastični rasečeni prsten i zategnite vijak i podlošku na zatezni moment od 23 – 28 Nm.



9. Ručno povucite nož u krug kako biste provjerili okreće li se slobodno.



**UPOZORENJE:** Nosite rukavice za teške uvjete rada. Nož je vrlo oštar i lako dolazi do posjekotina.

10. Pokrenite proizvod kako biste ispitali nož. Ako nož nije ispravno pričvršćen, proizvod vibrira ili ishod košenja nije zadovoljavajući.

## Rješavanje problema

### Baterija

LED indikator na bateriji	Uzrok	Rješenje
Trepće zeleni LED indikator.	Napon baterije je nizak.	Napunite bateriju. Pogledajte <i>Zamjena baterije na stranici 270</i> .
Trepće LED indikator za pogreške.	Baterija je slaba.	Napunite bateriju. Pogledajte <i>Zamjena baterije na stranici 270</i> .
	Temperatura radnog okoliša je previsoka ili preniska.	Bateriju upotrebljavajte u rasponu temperature između 5 °C – 40 °C.
	Prenapon.	Napon mreže mora biti jednak naponu na natpisnoj pločici proizvoda.  Izvadite akumulator iz punjača akumulatora. Pričekajte 5 sekundi i ponovno pokušajte napuniti bateriju. Ako se problem nastavi, obratite se ovlaštenom serviseru.
Uključen je LED indikator za pogreške.	Razlika između ćelija je prevelika (1 V).	Obratite se ovlaštenom serviseru.

### Punjač baterije

LED indikator na punjaču baterije	Uzrok	Rješenje
Trepće LED indikator za pogreške.	Temperatura radnog okoliša je previsoka ili preniska.	Punjač baterije upotrebljavajte u rasponu temperature između 5 °C – 40 °C.
Uključen je LED indikator za pogreške.		Obratite se ovlaštenom serviseru.

### Kosilica

Indikator upozorenja (LED indikator za pogreške) nalazi se ispod poklopca za bateriju ((LC 247i)) ili na upravljačkoj ploči ((LC 347iVX, LC 353iVX)).



Problem	LED indikator za pogreške (broj treperenja)	Uzrok	Rješenje
Treperenje LED indikatora za pogreške. Proizvod ne funkcioniše ispravno.	3	Nož je blokiran.	Uklonite sigurnosni ključna položaj 0 da biste spriječili nenamjerno pokretanje. Izvadite bateriju i pričekajte minimalno 5 sekundi. Uklonite moguće prepreke i provjerite okreću li se noževi neometano. Ako se problem nastavi, obratite se ovlaštenom serviseru.
	5	Prevelik pad brzine motora i zaustavljanje motora.	Povećajte visinu rezanja. Pogledajte <i>Postavljanje visine rezanja na stranici 269</i> .
	6 <sup>41</sup>	Kotači ili mjenjač su blokirani.	Uklonite sigurnosni ključna položaj 0 da biste spriječili nenamjerno pokretanje. Izvadite bateriju i pričekajte minimalno 5 sekundi. Uklonite moguće prepreke i provjerite okreću li se kotači neometano. Ako se problem nastavi, obratite se ovlaštenom serviseru.
	10	Pregrijano je upravljanje motorom.	Zaustavite motor i pričekajte da se ohladi.
Treperenje LED indikatora za pogreške. Proizvod se zaustavlja.	0	Kvar priključka baterije.	Pregledajte priključak baterije.
	3	Motor je preopterećen.	Povećajte visinu rezanja. Pogledajte <i>Postavljanje visine rezanja na stranici 269</i> .
	8	Baterija je slaba.	Napunite bateriju. Pogledajte <i>Zamjena baterije na stranici 270</i> .
	9	Pogreška baterije ili nema signala baterije.	Pravilno umetnite bateriju u proizvod i pregledajte priključak baterije. Ako na bateriji treperi LED indikator za pogrešku. Pogledajte <i>Baterija na stranici 276</i> .
	12	Nepravilan postupak pokretanja. Ručica kočnice motora bila je aktivirana prije pokretanja motora.	Otpustite ručicu kočnice motora i pričekajte približno 5 sekundi. Ponovno gurnite ručicu kočnice motora prema dolje za pokretanje proizvoda.
Ostale pogreške.	Ako dođe od pogreške, sigurnosni ključ okrenite na 0, izvadite bateriju i obratite se predstavniku ovlaštenog servisa.		

## Prijevoz, spremanje i zbrinjavanje

### Uvod



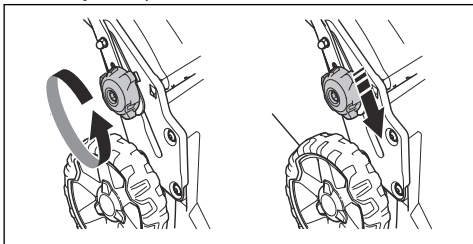
**UPOZORENJE:** Kako biste spriječili nenamjerno pokretanje pri transportu okrenite sigurnosni ključ na 0, uklonite bateriju i pričekajte najmanje 5 sekundi.

### Postavljanje proizvoda u položaj za prijevoz

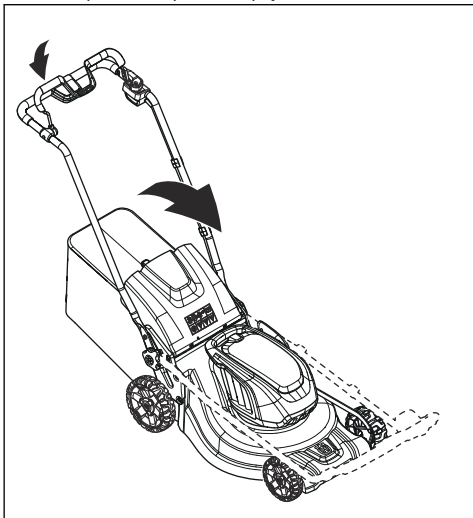
1. Otpustite donje vijke.

<sup>41</sup> LC 347iVX, LC353iVX

2. Pomaknite kotačiće u donji dio utora na lijevoj i desnoj strani proizvoda.



3. Preklopite ručku prema naprijed.



4. Uklonite sakupljač trave.

## Prijevoz

- Na sadržane litij-ionske baterije primjenjuju se zahtjevi zakona o opasnim tvarima.
- Za komercijalne Transporte morate poštivati posebne zahtjeve za pakiranje i oznake.
- Provjerite poštivanje propisa za opasne materijale tijekom pripreme proizvoda za transport. Primjenjuju se lokalni propisi.
- Prije prijevoza obavezno izvadite bateriju.
- Preljepite priključke baterije trakom i onemogućite pomicanje baterije tijekom transporta.
- Pričvrstite proizvod tijekom transporta.

## Skladištenje

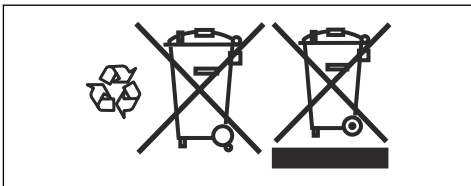
- Prije skladištenja proizvoda pričekajte na njegovo hlađenje.

- Prije skladištenja obavezno izvadite bateriju.
- Kako biste spriječili nezgode, bateriju tijekom skladištenja nemojte ostaviti priključenu na proizvod.
- Punjač baterije spremite u zatvoren, suh prostor.
- Bateriju i punjač baterije spremite u suh prostor u koji ne može prodrijeti vlaga ili mraz.
- Bateriju za skladištenje uklonite s punjača baterije.
- Bateriju nemojte skladištiti u prostoru u kojem može nastati statički elektricitet. Akumulator nemojte čuvati u metalnoj kutiji.
- Proizvod čuvajte na temperaturi okoline između - 10 °C i 40 °C.
- Bateriju čuvajte na temperaturi okoline između 5 °C i 25 °C, zaštićenu od sunčeve svjetlosti.
- Punjač baterije čuvajte na temperaturi okoline između 5 °C i 45 °C, zaštićen od sunčeve svjetlosti.
- Prije dugotrajnog skladištenja obavezno napunite bateriju na 30% do 50%.
- Proizvod, bateriju i punjač baterije skladištite u zaključanom prostoru izvan dosega djece i neodobrenih osoba.
- Očistite proizvod i provjerite je li sakupljač trave prazan.
- Provodite postupke održavanja iz ovog korisničkog priručnika. Pogledajte *Održavanje na stranici 274*.
- Prije dugotrajnog skladištenja provedite cjeloviti servis proizvoda.

## Odlaganje

Oznake na proizvodu ili ambalaži proizvoda znače da se proizvod ne smije odlagati zajedno s komunalnim otpadom. Umjesto toga, potrebno ga je odnijeti u propisani reciklažni centar za prihvata električne i elektroničke opreme.

Ispravnim rukovanjem proizvodom pomažete u ublažavanju negativnih učinaka po okoliš i osobe do kojih može doći u slučaju pogrešnog upravljanja otpadnim tvarima ovog proizvoda. Pojednost o recikliranju proizvoda zatražite od lokalnih tijela uprave, komunalne službe ili u prodavaonici u kojoj ste kupili proizvod.



## Tehnički podaci

### Tehnički podaci

	LC 247i	LC 347iVX	LC 353iVX
<b>Rezni motor</b>			
Vrsta motora	BLDC (beskontaktni) 36 V	BLDC (beskontaktni) 36 V	BLDC (beskontaktni) 36 V
Broj okretaja motora – SavE, o/min	2600/min	2600/min	2600/min
Broj okretaja motora – nazivni, o/min	3000/min	3000/min	3000/min
Broj okretaja motora – veliko opterećenje, o/min	3500/min	3500/min	3500/min
Snaga motora – maks. kW	0,96	0,96	1,05
Snaga motora – nazivna, kW	0,75	0,75	0,9
<b>Pogonski motor</b>			
Snaga motora – nazivna, kW	Nije dostupno	0,25	0,25
Brzina samostalnog hoda, km/h	Nije dostupno	3,0 – 4,5	3,0 – 4,5
Razine prilagodbe brzine	Nije dostupno	4	4
<b>Težina</b>			
Težina bez vreće (bez baterije), kg	24,5	26	28
Težina s vrećom (s 2 x BLi30), kg	30,5	32,0	34,5
<b>Baterija</b>			
Vrsta baterije	Serije baterije Husqvarna		
<b>Trajanje baterije</b>			
Trajanje baterije, min, (slobodni pogon) s uključenom funkcijom SavE, s jednom baterijom tvrtke Husqvarna od 7,7 Ah (BLi30).	62	62	46
Trajanje baterije, min, (slobodni pogon) s uključenom standardnim načinom rada, s jednom baterijom tvrtke Husqvarna od 7,7 Ah (BLi30).	43	43	28
<b>Emisije buke <sup>42</sup></b>			
Razina jačine zvuka, mjerena u dB (A)	94	94	97
Razina jačine zvuka, zajamčena L <sub>WA</sub> dB (A)	95	95	98
<b>Razine buke <sup>43</sup></b>			
Razine tlaka zvuka na uhu rukovatelja, dB (A)	82	82	86

<sup>42</sup> \* Emisije buke u okoliš izmjerene kao jakost zvuka (L<sub>WA</sub>) u skladu s Direktivom EZ 2000/14/EZ.

<sup>43</sup> Navedeni podaci za razinu tlaka zvuka imaju čimbenik nesigurnosti od 1,5 dB(A).

	LC 247i	LC 347iVX	LC 353iVX
<b>Razine vibracije</b> <sup>44</sup>			
Ručka, m/s <sup>2</sup>	0,42	0,42	2,64
<b>Rezna oprema</b>			
Visina rezanja, mm	20 – 75 mm	20 – 75 mm	20 – 75 mm
Širina rezanja, cm	47	47	53
Standardni nož	Skupljanje, 5905934-10	Skupljanje, 5905934-10	Skupljanje, 5940757-10
Dotatna oprema za nož	Malčiranje 5907010-10	Malčiranje 5907010-10	Malčiranje 5950072-10
Zapremnina sakupljača trave, litri	55	55	60

Podaci o radijskoj frekvenciji za Bluetooth®	LC 247i	LC 347iVX	LC 353iVX
Frekvencijski pojas, GHz	Nije dostupno	2,4 – 2,4835	2,4 – 2,4835
Izlazna snaga, maks. dBm	Nije dostupno	4	4

Odobrene baterije	Vrsta	Kapacitet baterije, Ah	Napon, V	Težina, lb/kg
BLi20	Litij-ion	4,0	36	2,6/1,2
BLi30	Litij-ion	7,7	36	4,2/1,9

Odobreni punjači za navedene baterije, BLi	Ulazni napon, V	Frekvencija, Hz	Snaga, W
QC80	100 – 240	50 – 60	80
40-C80	100 – 240	50 – 60	68,8
QC250	100 – 240	50 – 60	250

<sup>44</sup> Navedeni podaci o razini vibracija imaju čimbenik nesigurnosti (K) od 1,5 m/s<sup>2</sup>. Navedena ukupna vrijednost vibracija izmjerena je u skladu sa standardom EN 62841-4-3, dodatkom I, i može se koristiti za međusobnu usporedbu alata u preliminarnoj procjeni izloženosti.

# Izjava o sukladnosti

## Izjava o sukladnosti EU

Mi, **Husqvarna AB**, SE-561 82 Huskvarna, Švedska, tel.:  
+46-36-146500, pod punom odgovornošću izjavljujemo  
da proizvod:

<b>Opis</b>	Kosilica
<b>Marka</b>	Husqvarna
<b>Vrsta / Model</b>	LC 247i
<b>Identifikacija</b>	Serijski brojevi iz 2021 i noviji

u potpunosti sukladan sljedećim EU direktivama i  
propisima:

Direktiva/propis	Opis
2006/42/EZ	„o strojevima”
2014/30/EU	”koja se odnosi na elektromagnetsku kompatibilnost”
2000/14/EC	”koja se odnosi na emisije buke u okoliš”
2011/65/EU	”o ograničenoj upotrebi određenih opasnih tvari u električnoj i elektroničkoj opremi”

i primjenjuju se sljedeće norme i/ili tehničke  
specifikacije: EN 62841-1:2015+AC:2015, EN  
62841-4-3:2021+A11:2021, EN ISO 12100:2010, EN  
55014-1:2017+A11:2020, EN 55014-2:2015, EN IEC  
63000:2018.

Prijavljeno tijelo: 0404, RISE SMP Svensk  
Maskinprovning AB, Box 7035, SE-750 07 Uppsala,  
certificiralo je sukladnost s Direktivom Vijeća  
2000/14/EC, postupak kontrole kvalitete: dodatak VI.

Informacije o emisiji buke potražite u odjeljku *Tehnički  
podaci na stranici 279.*

Huskvarna, 2021-12-01



Claes Losdal, razvojni menadžer / proizvodi za vrtove,  
Husqvarna AB

Odgovorna osoba za tehničku dokumentaciju



## Izjava o sukladnosti EU

Mi, **Husqvarna AB**, SE-561 82 Huskvarna, Švedska, tel.: +46-36-146500, pod punom odgovornošću izjavljujemo da proizvod:

<b>Opis</b>	Kosilica
<b>Marka</b>	Husqvarna
<b>Vrsta / Model</b>	LC 347iVX, LC 353iVX
<b>Identifikacija</b>	Serijski brojevi iz 2021-12-01 i noviji

u potpunosti sukladan sljedećim EU direktivama i propisima:

Direktiva/propis	Opis
2006/42/EZ	„o strojevima”
2014/53/EU	"koji se odnose na radijsku opremu"
2000/14/EC	"koja se odnosi na emisije buke u okoliš"
2011/65/EU	"o ograničenoj upotrebi određenih opasnih tvari u električnoj i elektroničkoj opremi"

i primjenjuju se sljedeće norme i/ili tehničke specifikacije: EN 62841-1:2015+AC:2015, EN 62841-4-3:2021+A11:2021, EN ISO 12100:2010, EN 55014-1:2017+A11:2020, EN 55014-2:2015, EN IEC 63000:2018, EN ETSI 300 328 v.2.2.2, EN 50663: 2017, ETSI EN 301 489-1 V2.2.3, ETSI EN 301 489-17 V3.2.4.

Prijavljeno tijelo: 0404, RISE SMP Svensk Maskinprovning AB, Box 7035, SE-750 07 Uppsala, certificiralo je sukladnost s Direktivom Vijeća 2000/14/EC, postupak kontrole kvalitete: dodatak VI.

Informacije o emisiji buke potražite u odjeljku *Tehnički podaci na stranici 279*.

Huskvarna, 2021-12-01

Claes Losdal, razvojni menadžer / proizvodi za vrtove, Husqvarna AB

Odgovorna osoba za tehničku dokumentaciju



---

## Registrirani zaštitni znakovi

---

Natpis i logotipi *Bluetooth®* registrirani su zaštitni znakovi u vlasništvu tvrtke *Bluetooth SIG, inc.* i tvrtka Husqvarna za svaku upotrebu tih znakova posjeduje licenciju.

---

# TARTALOMJEGYZÉK

---

Bevezető.....	283	Hibaelhárítás.....	300
Biztonság.....	285	Szállítás, tárolás és ártalmatlanítás.....	303
Összeszerelés.....	291	Műszaki adatok.....	304
Üzemeltetés.....	292	Megfelelőségi nyilatkozat.....	307
Karbantartás.....	298	Bejegyzett védjegyek.....	308

---

## Bevezető

---

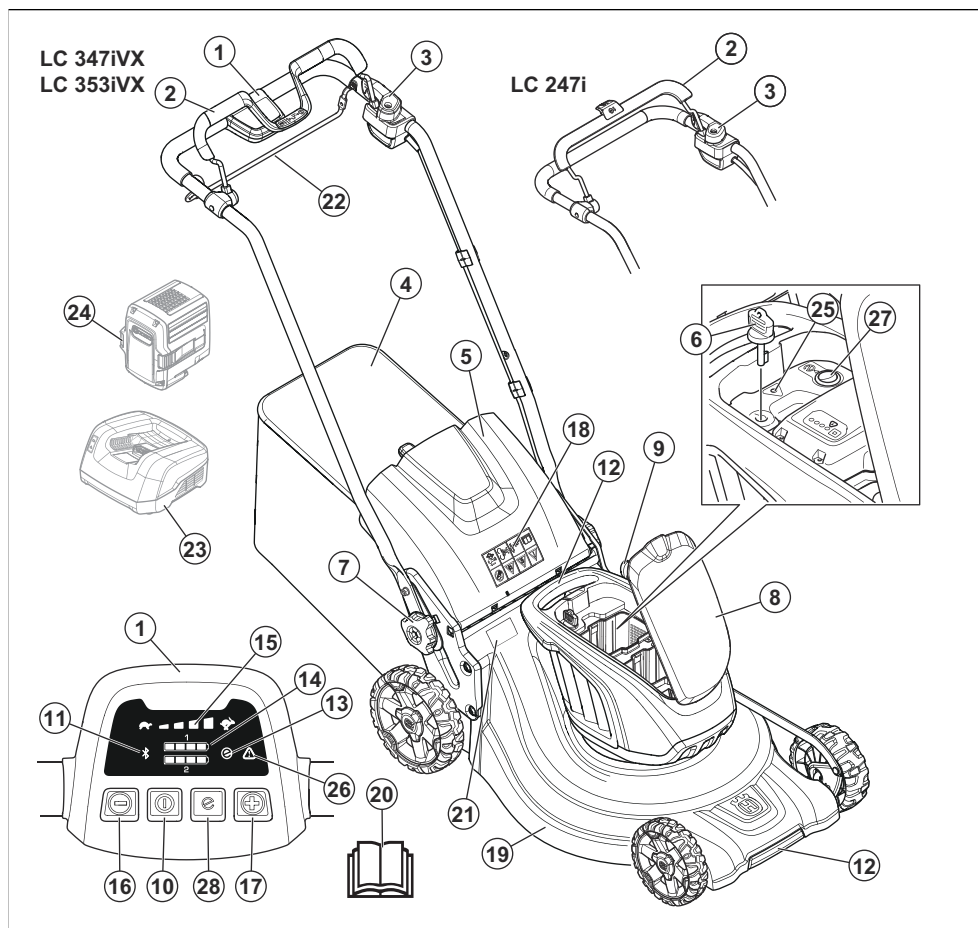
### Termékleírás

A termék egy gyalog kísért forgóképes fűnyíró. A fű egy fűgyűjtőben kerül gyűjtésre. Vegye ki a fűgyűjtőt a fű hátsó ürítéséhez. Csatlakoztasson egy porhanyító készletet (tartozék) a fű műtrágyázásra való vágásához.

### Rendeltetésszerű használat

A termék fűnyírásra szolgál. Ne használja a terméket egyéb feladatokra.

## A termék áttekintése



- |   |  |
|---|--|
| 1. Vezérlőpanel (LC 347iVX, LC 353iVX)                                      | 16. Sebesség csökkentése gomb (LC 347iVX, LC 353iVX) |
| 2. Motorérfogantyú  | 17. Sebesség növelése gomb (LC 347iVX, LC 353iVX)    |
| 3. Indításgátló   | 18. Szimbólumok                                      |
| 4. Fűgyűjtő   | 19. Vágóburkolat                                     |
| 5. Hátsó burkolat   | 20. Kezelői kézikönyv                                |
| 6. Biztonsági kulcs   | 21. Adattábla  |
| 7. Gombfogantyú   | 22. Kerékajtás kapcsoló kar (LC 347iVX, LC 353iVX)   |
| 8. Akkumulátorfedél   | 23. Akkumulátortöltő (tartozék)                      |
| 9. Vágásimagasság-szabályozó  | 24. Akkumulátor (tartozék)                           |
| 10. BE-/KI kapcsoló gomb  | 25. Hibajelző LED (LC 247i)                          |
| 11. A <i>Bluetooth</i> <sup>®</sup> vezeték nélküli technológia jelzőikonja | 26. Hibajelző LED (LC 347iVX, LC 353iVX)             |
| 12. Emelőfogantyúk  | 27. SavE gomb (LC 247i)                              |
| 13. SavE jelző  | 28. SavE gomb (LC 347iVX, LC 353iVX)                 |
| 14. Akkumulátorjelző  |  |
| 15. Sebesség kijelző (LC 347iVX, LC 353iVX)                                 |  |



## A terméken található jelzések

a *Műszaki adatok* 304. oldalon c. fejezetben és a címkén.



FIGYELMEZTETÉS



Olvassa el az utasításokat.



VIGYÁZAT – Ügyeljen az esetlegesen kirepülő tárgyra.



Tartsa távol a nézelődőket.



VIGYÁZAT – Tartsa távol a kezét és a lábát a késektől.



VIGYÁZAT – Karbantartás előtt válassza le az akkumulátort.



A termék és a termék csomagolása nem minősül háztartási hulladéknak. Újrahasznosítását egy elektromos és elektronikus berendezések újrahasznosítására szolgáló ponton kell elvégezni.



Ez a termék megfelel az Európai Unió vonatkozó előírásainak.



A környezeti zajkibocsátásra vonatkozó címke az EU-s és az egyesült királyságbeli irányelveknek és szabályozásoknak megfelelően. A termék garantált hangteljesítményszintjére vonatkozó adatok megtalálhatók

## IPX1

A termék cseppálló.



A leállításhoz engedje el a motorfékgagyantút.



Beolvasható kód

**Megjegyzés:** A terméken szereplő többi jel/címke egyes piacok specifikus vizsgáztatási követelményeire vonatkozik.

## Jelzés a terméken



VESZÉLY – Tartsa távol a kezét és a lábát.

## Termékszavatosság

A termékszavatosságra vonatkozó jogszabályok értelmében nem vagyunk felelősek a termékeink által okozott károkért az alábbi esetekben:

- a termék javítását helytelenül végezték;
- a termék javítása nem a gyártótól származó vagy általa jóváhagyott alkatrészekkel történt;
- a terméket nem a gyártótól származó vagy általa jóváhagyott kiegészítővel szerelték fel;
- a termék javítását nem hivatalos szakszerviz vagy jóváhagyott egyéb szerviz végezte.

## Biztonság

### Biztonsági meghatározások

A figyelmeztetések, óvintézkedések és megjegyzések a használati utasítás kiemelten fontos részeire hívják fel a figyelmet.



**FIGYELMEZTETÉS:** Akkor használatos, ha a kézikönyv utasításainak be nem tartása esetén fennáll a kezelő vagy a közelben tartózkodók sérülésének vagy halálának veszélye.



**VIGYÁZAT:** Akkor használatos, ha a kézikönyv utasításainak be nem tartása esetén fennáll a vagyoni kár, illetve a termék vagy a környező terület károsodásának veszélye.

**Megjegyzés:** További információt biztosít az adott helyzetben szükséges tennivalókról.

## Általános termékbiztonsági figyelmeztetések



**FIGYELMEZTETÉS:** Olvassa el a jelen termékre vonatkozó összes biztonsági utasítást, útmutatást, ábrát és specifikációt. A az alább felsorolt utasítások figyelmen kívül hagyása áramütést, tüzet és/vagy komoly sérülést okozhat.

Tegyen el minden figyelmeztetést és utasítást, mert a jövőben szüksége lehet rájuk. A „termék” kifejezés a figyelmeztetésekben a hálózatról működő (vezetékes) termékre vagy az akkumulátorról (vezeték nélküli) működő termékre vonatkozik.

## A munkaterület biztonsága

- **Tartsa a munkaterületet tisztán és világítsa meg jól.** A zsúfolt vagy sötét területeken könnyen bekövetkeznek balesetek.
- **Ne működtesse a terméket robbanásveszélyes környezetben, pl. gyúlékony folyadékok, gázok vagy por jelenlétében.** A termék szikrárt vehet, amely begyújthatja a port vagy a kipárolgást.
- **Tartsa távol a gyermekeket és a szemlélődőket a termék működtetése közben.** A figyelem elvonása miatt elvesztheti az uralmát a szerszám felett.

## Elektromos biztonság

- **A termék dugaszának illeszkednie kell az aljzatba. A dugón soha semmilyen átalakítást ne végezzen. Ne használjon adaptercsatlakozót a földelt termékekhez.** Kisebb az áramütés veszélye, ha eredeti dugókat és hozzájuk illő aljzatokat használ.
- **Kerülje el a földelt felületekkel, pl. csövekkel, radiátorokkal, tűzhelyekkel és hűtőszekrényekkel való érintkezést.** Megnövekszik az áramütés veszélye, ha a teste le van földelve.
- **Ne tegye el a termékeket esőnek vagy nedves környezetnek.** A termékbe jutó víz növeli az áramütés kockázatát.
- **Ne bánjon durván a kábellel. A kábelt ne használja a termék hordozására, húzására vagy a dugasz kihúzására. Tartsa távol a kábelt hőtől, olajtól, éles szélektől vagy mozgó alkatrészekről.** A sérült vagy összegabalyodott kábelek megnövelik az áramütés kockázatát.

- **Ha kültérben használja a terméket, használjon kültéri használatra megfelelő hosszabbítókábelt.** A kültéri alkalmazáshoz megfelelő hosszabbító használata csökkenti az áramütés veszélyét.
- **Ha a termék feltétlenül nedves helyen kell használni, alkalmazzon életvédelmi relével (RCD) védett tápellátást.** RCD használatával csökkenthető az áramütés kockázata.

## Személyes biztonság

- **Legyen elővigyázatos, figyeljen arra, amit csinál, és használja a józan eszét a termék működtetése során. Ne használja a terméket, ha fáradt, illetve ha gyógyszer, gyógykezelés vagy alkohol hatása alatt áll.** A termékek működése közben egy pillanatnyi figyelemkiesés is súlyos személyi sérülést okozhat.
- **Használjon személyi védőfelszerelést. Mindig használjon szemvédőt.** A megfelelő környezetben a védőfelszerelések, például a pormaszok, a csúszásgátló védőcipő, a kemény fejevédő és a fülvédő használata csökkenti a személyi sérülések kockázatát.
- **Akadályozza meg a véletlen indítást. Ellenőrizze, hogy a bekapcsoló gomb kikapcsolt állásban van-e, mielőtt csatlakoztatja az áramforrást és/vagy az akkumulátort, illetve felveszi vagy szállítja a terméket.** Balesetet okozhat, ha a terméket úgy viszi, hogy az ujja a kapcsolón van, vagy ha a bekapcsolt terméket áram alá helyezi.
- **Távolítsa el minden beállító kulcsot vagy csavarkulcsot, mielőtt bekapcsolná a terméket.** A termék forgó alkatrészéhez csatlakozó kulcs vagy más szerszám személyi sérülést okozhat.
- **Ne nyújtózkodjon a termékkel. Mindig szilárdan álljon a talajon, és őrizze meg az egyensúlyát.** Így jobban uralhatja a terméket váratlan helyzetekben.
- **Öltözködjön megfelelően. Ne viseljen ékszereket, rövidnadrágot, szandált, illetve ne legyen mezteláb.** Tartsa távol a haját és ruházatát a mozgó alkatrészekről. A mozgó alkatrészek bekaphatják a laza ruhát, az ékszert vagy a hosszú hajat.
- **Ha a készülékhez csatlakoztatható porgyűjtő berendezés, mindig csatlakoztassa és használja azt.** A porgyűjtő alkalmazása csökkenti a porral kapcsolatos veszélyeket.
- **A termékek rendszeres használatából adódó tapasztalata ne vezessen oda, hogy a termékeket könnyelműen, a szerszámbiztonsági alapelvek figyelmen kívül hagyásával működteti.** Egy gondatlanul kivitelezett művelet akár egy századmásodperc alatt is súlyos sérüléshez vezethet.

## A termék használata és karbantartása

- **Ne terhelje túl a terméket. Használja a feladathoz megfelelő terméket.** A megfelelő termék jobb és biztonságosabb munkát fog végezni azon a sebességen, amire tervezték.

- **Ne használja a terméket, ha a kapcsoló nem kapcsolja ki vagy be.** A kapcsolóval nem vezérelhető termékek veszélyesek és javításra szorulnak.
- **Húzza ki a dugaszt az áramforrásból és/vagy vegye ki az akkumulátort (amennyiben kivethető), ha bármilyen beállítást végez, kicseréli egy tartozékot vagy tárolja a termékeket.** Az ilyen megelőző biztonsági intézkedések csökkentik a termék véletlen elindításának veszélyét.
- **A nem használt termékeket tartsa távol a gyermekektől, és ne engedje, hogy olyan személyek működtessék, akik nem ismerik a terméket és ezeket az utasításokat.** A termékek képzetlen felhasználók kezében veszélyt jelentenek.
- **Végezze el a termékek és a tartozékok karbantartását. Ellenőrizze, hogy a mozgó alkatrészek helyükön vannak-e, nem szorulnak-e, nem törtek-e le részek, illetve nem áll-e fenn más olyan állapot, amely befolyásolhatja a termék működését. Ha sérült, a használat előtt javíttassa meg a terméket.** Sok balesetet rosszul karbantartott termékek okoznak.
- **Tartsa élesen és tisztán a vágószerszámokat.** A megfelelően karbantartott, éles vágószerszámok kevésbé hajlamosak a beszorulásra, és könnyebb kezelni őket.
- **A terméket, a kiegészítőket és az alkatrészeket stb. ezen utasításokkal összhangban használja, vegye figyelembe a munkakörülményeket és az elvégzendő feladatot.** Ha a terméket nem a rendeltetésének megfelelően használják, veszélyes helyzet állhat elő.
- **A fogantyúkat és fogófelületeket tartsa szárazon, tisztán, olaj- és zsírmentesen.** A csúszós fogantyúk és fogófelületek nem teszik lehetővé a termék biztonságos kezelését és irányítását váratlan helyzetekben.

## Szolgáltatás

- **A termék szervizelését képzett szerelővel végeztesse el, aki kizárólag eredeti cserealkatrészeket használ.** Ez biztosítja, hogy a termék továbbra is biztonságos maradjon.
- **Soha ne szervizelje a sérült akkumulátort.** Az akkumulátor szervizelését csak a gyártó vagy egy hivatalos szolgáltató végezheti el.

## Az akkumulátor használata és karbantartása

- **Csak a gyártó által meghatározott töltővel töltsen.** Az a töltő, amelyik az egyik típusú akkumulátorhoz használható, tűzveszélyes lehet, ha másik típusú akkumulátorral használják.
- **A termékeket csak a típusuknak megfelelő akkumulátorokkal használja.** Bármilyen más típusú akkumulátor használata sérülés- és tűzveszélyes.
- **Amikor az akkumulátort nem használja, tartsa távol más fémtárgyaktól, például gémkapcsoktól, érméktől, kulcsoktól, tűktől, csavaroktól vagy más kisebb fémtárgyaktól, amelyek összekapcsolhatják**

**a sarukat.** Az akkumulátorsaruk rövidre zárása égést vagy tüzet okozhat.

- **Nem megfelelő körülmények hatására az akkumulátorból folyadék szivároghat ki. Kerülje az érintkezést. Ha ez véletlenül mégis megtörténik, öblítse le vízzel. Ha a folyadék szembe kerül, forduljon orvoshoz.** Az akkumulátorból távozó folyadék irritációt vagy égési sérülést okozhat.
- **Ne használjon sérült vagy módosított akkumulátort vagy szerszámot.** A sérült vagy módosított akkumulátorok kiszámíthatatlanul viselkedhetnek, ami tüzet, robbanást vagy sérülést okozhat.
- **Az akkumulátort vagy szerszámot ne tegye ki tűznek vagy túl magas hőmérsékletnek.** A tűznek való kitettség, illetve a 130 °C/265 °F feletti hőmérséklet robbanást okozhat.
- **Kövesse a töltésre vonatkozó utasításokat, és ne töltsen az akkumulátort vagy a szerszámot az utasításokban megadott hőmérséklet-tartományon kívül.** A nem megfelelő, illetve a megadott tartományon kívül eső hőmérsékleten való töltés károsíthatja az akkumulátort és növeli a tűzveszélyt.

## A fűnyírógépre vonatkozó biztonsági figyelmeztetések

- **Rossz időjárási körülmények között – főleg villámlás veszélye esetén – ne használja a fűnyírógépet.** Ez csökkenti a villámcsapás veszélyét.
- **Alaposan vizsgálja meg vadvilág szempontjából azt a területet, ahol a fűnyírógépet használni kívánja.** A vadon élő állatok megsérülhetnek a fűnyírógép működése közben.
- **Alaposan vizsgálja át a területet, ahol a fűnyírógépet használni kívánja, és távolítsa el minden követ, botot, drótot, csontot és egyéb idegen tárgyat.** A felcsapódó tárgyak súlyos személyi sérülést okozhatnak.
- **A fűnyírógép használata előtt mindig ellenőrizze szemrevételezéssel, hogy a kés és a vágószerkezet nem kopott-e vagy sérült-e.** A kopott vagy sérült alkatrészek növelik a sérülésveszélyt.
- **Használat előtt ellenőrizze, hogy nem lát-e sérülést vagy kopás nyomait a táp- vagy a hosszabbítókábelben. Ha a kábel sérült vagy elhasználódott, ne használja a fűnyírógépet. Ha a kábel használat közben sérült vagy elhasználódott, kapcsolja ki a fűnyírógépet, és ne érintse meg a kábeleit, mielőtt kihúzná a tápellátásból.** A sérült tápkábel vagy hosszabbítókábel áramütést, tüzet és/vagy súlyos sérülést okozhat.
- **Rendszeresen ellenőrizze, hogy nem észlelhető-e kopás vagy minőségromlás a fűgyűjtőn.** A kopott vagy sérült fűgyűjtő növelheti a személyi sérülés kockázatát.
- **Tartsa a védőburkolatokat a helyükön. A védőburkolatoknak működőképesnek kell lenniük, és megfelelően kell felszerelni őket.** A meglazult, sérült vagy nem megfelelően funkcionáló védőburkolat személyi sérülést okozhat.

- **Minden hűtőlevegő bemeneti nyílást tartson törmelékektől mentesen.** Az eltömődött levegőbemeneti nyílások és a törmélek túlmelegedést vagy tűzveszélyt okozhatnak.
- **A fűtőirógép működtetése közben mindig viseljen csúszásmentes munkavédelmi lábbelit. Ne használja a fűtőirógépet mezítláb vagy nyitott szandálban.** Ez csökkenti a mozgó késsel való érintkezés miatti lábsérülés kockázatát.
- **A fűtőirógép használata közben mindig viseljen hosszú nadrágot.** A szabadon hagyott bőrfelületek növelik a repülő tárgyak okozta sérülés valószínűségét.
- **Ne működtesse a fűtőirógépet nedves fűvön. Sétáljon, soha ne fusson.** Ez csökkenti az esetleges személyi sérüléshez vezető elcsúszás vagy elesés kockázatát.
- **Ne üzemeltesse a fűtőirógépet túlságosan meredek lejtőkön.** Ez csökkenti az esetleges személyi sérüléshez vezető irányításvetítés, elcsúszás vagy elesés kockázatát.
- **Ha lejtőn dolgozik, mindig ügyeljen arra, hogy stabilan áll, mindig a lejtőn keresztben dolgozzon, soha ne felfelé vagy lefelé, és irányváltáskor legyen rendkívül óvatos.** Ez csökkenti az esetleges személyi sérüléshez vezető irányításvetítés, elcsúszás vagy elesés kockázatát.
- **Legyen különösen körültekintő, ha a fűtőirógépet maga felé húzza, vagy hátrafelé halad. Mindig figyeljen oda a környezetére.** Ez csökkenti a használat közbeni megbotlás kockázatát.
- **Tartsa távol a tápkábelt a vágókészekől.** A sérült tápkábel áramütést, tüzet és/vagy súlyos sérülést okozhat.
- **Ha a kábel összegabalyodott vagy sérült, kapcsolja ki a terméket, és húzza ki a csatlakozódugót a fali aljzatból.** Az összegabalyodott vagy sérült kábelek növelhetik az áramütés veszélyét.
- **Ne érintse meg a késeket és más veszélyes mozgó alkatrészeket, amíg azok mozgásban vannak.** Ez csökkenti a mozgó alkatrészek okozta sérülések kockázatát.
- **A beragadt anyagok eltávolításakor és a fűtőirógép tisztításakor győződjön meg arról, hogy minden főkapcsoló ki van-e kapcsolva, és a tápkábel le van-e választva.** A fűtőiró véletlen bekapcsolódása súlyos személyi sérülést okozhat.
- Ez a termék veszélyes, ha helytelenül használja, vagy ha nem vigyáz. A biztonsági utasítások be nem tartása sérüléssel vagy halállal járhat.
- A termék működés közben elektromágneses mezőt hoz létre. Ez bizonyos körülmények esetén hatással lehet az aktív vagy passzív orvosi implantátumokra. A súlyos vagy halálos sérülés kockázatának csökkentése érdekében azt javasoljuk, hogy az orvosi implantátumot használó személyek a termék alkalmazása előtt kérjék ki orvosuk vagy az orvosi implantátum gyártójának tanácsát.
- Mindig megfontoltan és előrelátóan cselekedjen. Ha nem biztos benne, hogyan kell a terméket speciális helyzetben üzemeltetni, akkor hagyja abba a tevékenységet, és beszéljen a Husqvarna kereskedőjével a folytatás előtt.
- Ne feledje, hogy a kezelő felelős a másokat és a mások tulajdonát érő balesetekért is.
- Tartsa tisztán a terméket. Ügyeljen arra, hogy a jelek és címkék jól olvashatók legyenek.
- Soha ne engedje, hogy gyermekek vagy a kezelési utasításokat nem ismerő személyek használják a készüléket. A helyi rendelkezések adott esetben kezelési korhatárt szabhatnak meg.
- Csökkent fizikai vagy szellemi képességekkel rendelkező személy csak felügyelet mellett használhatja a terméket. Egy felelős felnőttnek mindig jelen kell lennie.
- Ne használja a terméket, ha fáradt, beteg, illetve alkohol, drog vagy gyógyszer hatása alatt áll. Ez negatív hatással van a látására, az éberségére, a koordinációjára és az ítélőképességére.
- Ne használja a terméket, ha hibás.
- Ne változtassa meg a terméket, vagy ne használja, ha feltehetőleg valaki más változtatásokat hajtott végre rajta.

## Munkabiztonság



**FIGYELMEZTETÉS:** A termék használata előtt olvassa el az alábbi figyelmeztetéseket.

- Ezt a terméket kizárólag füves pázsitok nyírására használja. A termék más feladatokra történő használata nem megengedett.
- Használjon személyi védőfelszerelést. Lásd: *Személyi védőfelszerelés 289. oldalon.*
- Mindenképpen legyen tisztában azzal, hogy vészhelyzet esetén hogyan kell gyorsan leállítani a motort.
- Ne működtesse a terméket esős vagy nedves körülmények között. A termékbe jutó víz növeli az áramütés kockázatát.
- Ne használja a készüléket, hacsak a kés és az összes borítás nincs megfelelően rögzítve. A nem megfelelően rögzített kés kilazulhat, és személyi sérülést okozhat.

## Életvédelmi relé

- Használjon egy legfeljebb 30 mA-es kioldóáramra szabályozott életvédelmi relét.

## Általános biztonsági utasítások



**FIGYELMEZTETÉS:** A termék használata előtt olvassa el az alábbi figyelmeztetéseket.

- Ügyeljen arra, hogy a kés ne ütközzön olyan tárgyakra, mint például kövek és gyökerek. Ez kárt tehet a késben, és meghajlíthatja a motor tengelyét. A meghajlott tengely erős rezgést okoz, és így nagyon nagy a kockázata annak, hogy a kés meglazul.
- Ha a kés valamilyen tárgynak ütközik vagy rezegni kezd, azonnal állítsa le a terméket. Állítsa le a motort, fordítsa a biztonsági kulcsot „0” állásba, és vegye ki az akkumulátort. Várjon, amíg a mozgó alkatrészek megállnak. Ellenőrizze, hogy a termék sérülésmentes-e. Szorítsa meg a laza alkatrészeket. Javítsa meg a sérüléseket, és cserélje ki a sérült alkatrészeket. Bízva hivatalos szervizműhelyre a javítást.
- Amikor a motor működésben van, soha ne rögzítse tartósan a motorfékfogantyút a fogantyúhoz.
- Helyezze a terméket stabil, vízszintes felületre, és kapcsolja be. Gondoskodjon arról, hogy a kés ne ütközzön se a talajba, se egyéb tárgyakra.
- Mindig maradjon a termék mögött, amikor működteti.
- A termék üzemeltetése során minden kerék legyen a talajon, és tartsa két kézzel a fogantyút. Tartsa távol kezét és lábát a forgó késektől.
- Ne döntse meg a terméket a motor indításakor vagy a termék működése közben.
- Legyen óvatos, amikor hátrafelé húzza a terméket.
- Soha ne emelje fel a terméket, ha a motor jár. Ha mindenképpen fel kell emelnie a terméket, először állítsa le a motort, a biztonsági kulcsot fordítsa „0” állásba, és vegye ki az akkumulátort.
- Ne sétáljon hátrafelé a termék működtetése során.
- Állítsa le a motort, ha a terméket szállításhoz meg kell döntenie, vagy mielőtt olyan területeken haladna át, ahol nincs fű, például kavicsos, kövezett és aszfaltozott járdák.
- Ne fusson a termékkel, ha a motor jár. Mindig sétáljon a termék működtetése során.
- Mielőtt megváltoztatná a vágási magasságot, állítsa le a motort. Soha ne végezzen beállításokat, amikor a motor jár.
- Soha ne hagyja a terméket felügyelet nélkül járó motor esetén. Állítsa le a motort és győződjön meg arról, hogy a vágószerkezet nem forog.
- A termék működés közbeni rezgései eltérhetnek az itt megadott rezgésértékektől: *Műszaki adatok304. oldalon*. Az eltérést a termék eltérő használati módja okozza. Ha a terméket gyakran vagy hosszú ideig használja, a rezgések okozta sérülések elkerülése érdekében rendszeresen tartson szünetet.

## Biztonsági utasítások az üzemeltetéshez

### Személyi védőfelszerelés



**FIGYELMEZTETÉS:** A termék használata előtt olvassa el az alábbi figyelmeztetéseket.

- A személyi védőfelszerelés nem küszöböli ki teljes mértékben a sérülés kockázatát, de csökkenti a sérülés mértékét, ha bekövetkezik a baleset. A megfelelő felszerelés kiválasztásában kérje a kereskedő segítségét.
- Használjon nagy teherbírású, csúszásmentes bakancsot vagy cipőt. Ne használja nyitott cipőben vagy mezítláb a terméket.
- Viseljen vastag, hosszú szárú nadrágot.
- Viseljen védőkesztyűt, például a vágószerkezet felhelyezésekor, ellenőrzésekor vagy tisztításakor.
- Javasoljuk, hogy használjon hallásvédőt.

### Biztonsági eszközök a terméken



**FIGYELMEZTETÉS:** A termék használata előtt olvassa el az alábbi figyelmeztetéseket.

- Ne használjon olyan terméket, amelynek hibásak a biztonsági eszközei.
- Ne távolítsa el és ne végezzen módosításokat a biztonsági eszközökön.
- Rendszeresen ellenőrizze a biztonsági eszközöket. A biztonsági eszközök meghibásodása esetén vegye fel a kapcsolatot a Husqvarna szervizműhellyel.

### A vágóburkolat ellenőrzése

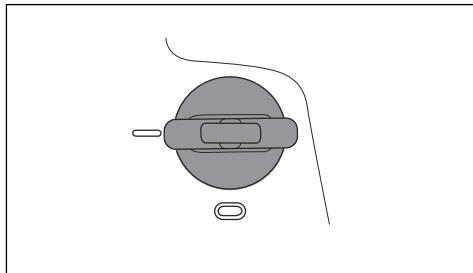
A vágóburkolat csökkenti a termék rezgését és a kés okozta sérülések kockázatát.

- Vizsgálja meg a vágóburkolatot, hogy nincs rajta sérülés, például repedés.

### A biztonsági kulcs ellenőrzése

A biztonsági kulcs az akkumulátorfedél alatt helyezkedik el. A biztonsági kulcs csatlakoztatja a motort ellátó akkumulátort.

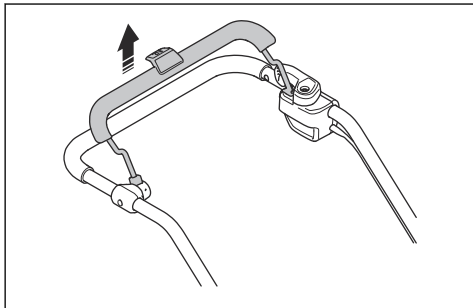
- A biztonsági kulcs ellenőrzéséhez indítsa be, majd állítsa le a motort.
- Ha a biztonsági kulcs megfelelően működik, a motor csak akkor indítható be, ha a biztonsági kulcs az „1” állásba van fordítva.



### A motorfékfogantyú ellenőrzése

A motorfékfogantyú a motor leállítására szolgál. Ha elengedi a motorfékfogantyút, a motor leáll.

- Indítsa be a terméket. Lásd: *Üzemeltetés292. oldalon.*
- Engedje el a motorfékfogantyút.

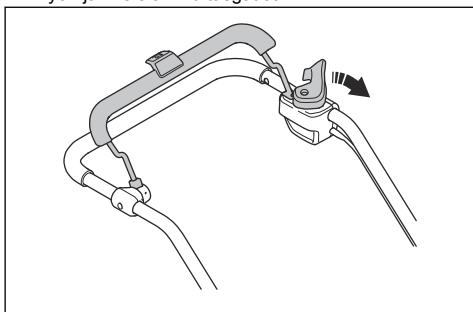


- Ügyeljen arra, hogy a termék megálljon. Ha a motor 3 másodpercen belül nem áll le, állíttassa be egy hivatalos Husqvarna szakszervizben a motorféket.

### Az indításgátló ellenőrzése

Bizonyosodjon meg arról, hogy az indításgátló megakadályozza a motor elindulását.

1. Nyomja a motorfékfogantyút a fogantyú irányába. Az indításgátló megakadályozza a mozgást.
2. Nyomja kifelé az indításgátlót.



3. Engedje ki az indításgátlót, és győződjön meg arról, hogy az visszatér alaphelyzetbe.

### Az akkumulátorral kapcsolatos biztonsági előírások



**FIGYELMEZTETÉS:** A termék használata előtt olvassa el az alábbi figyelmeztetéseket.

- A Husqvarna tölthető akkumulátorokat csak a kompatibilis Husqvarna termékek tápellátására használja. Ne használja az akkumulátort más eszközök áramforrásaként, mivel ez balesetveszélyes.
- Ne használjon nem újratölthető akkumulátorokat.
- Elektromos áramütés veszélye. Ne csatlakoztassa az akkumulátorsarukat kulcsokhoz, érmékhez,

csavarokhoz vagy egyéb fémhez. Ez az akkumulátor rövidzárlatát okozhatja.

- Ne tegyen tárgyakat az akkumulátor szellőzőnyílásaiba.
- Tartsa távol az akkumulátort a közvetlen napsütéstől, hőtől és nyílt lángtól. Az akkumulátor fellobbanhat, és súlyos égési, illetve vegyi égési sérüléseket okozhat.
- Tartsa az akkumulátort esős, nedves környezettől távol.
- Tartsa az akkumulátort mikrohullámoktól és magas nyomástól távol.
- Soha ne próbálkozzon az akkumulátor szétszerelésével vagy szétvételével.
- Ha az akkumulátor szivárog, ne hagyja, hogy a folyadék bőrre vagy szembe kerüljön. Ha a folyadékhoz ért, nagy mennyiségű vízzel tisztítsa meg az adott testfelületet, és forduljon orvoshoz.
- Az akkumulátort csak 5 °C és 40 °C közötti környezeti hőmérséklet mellett használja a termékben.
- Az akkumulátortöltőt csak 5 °C és 40 °C közötti környezeti hőmérséklet mellett használja.
- Az akkumulátor nem töltődik fel, ha az akkumulátor hőmérséklete 50 °C-nál magasabb.
- Soha ne tisztítsa vízzel az akkumulátort vagy az akkumulátortöltőt. Lásd: *Az akkumulátor és az akkumulátortöltő tisztítása299. oldalon.*
- Ne használjon meghibásodott vagy sérült akkumulátort.
- A tárolás során tartsa az akkumulátorokat távol a fém tárgyaktól, például szegektől, érméktől, ékszerektől.

### Az akkumulátortöltő készülék biztonsága



**FIGYELMEZTETÉS:** A termék használata előtt olvassa el az alábbi figyelmeztetéseket.

- A QC akkumulátortöltőket csak a Husqvarna csereakkumulátorok töltésére használja.
- Áramütés vagy rövidzárlat veszélye. Ne tegyen tárgyakat a töltő szellőzőnyílásaiba. Ne próbálkozzon az akkumulátortöltő szétszerelésével. Ne érintsen a töltő csatlakozóihoz fémtárgyat. Használjon jóváhagyott hálózati aljzatot.
- A termék működés közben elektromágneses mezőt hoz létre. Ez bizonyos körülmények esetén hatással lehet az aktív vagy passzív orvosi implantátumokra. A súlyos vagy halálos sérülés kockázatának csökkentése érdekében azt javasoljuk, hogy az orvosi implantátumot használó személyek a termék alkalmazása előtt kérjék ki orvosuk vagy az orvosi implantátum gyártójának tanácsát.
- Rendszeresen ellenőrizze, hogy az akkumulátortöltő tápkábele nem sérült-e, és hogy nincs rajta repedés.

- Ne emelje fel az akkumulátortöltőt a tápkábelnél fogva. Az akkumulátortöltőt fali aljzatból történő kihúzásához a dugaszt húzza. Ne a tápkábel húzza.
- Tartsa távol a hálózati tápkábelt és a hosszabbítókábelt a víztől, az olajtól és az éles élektől. Ügyeljen rá, hogy a kábel ne csipődjön be ajtóba, korlátba vagy hasonló tárgyba. Ilyen esetben a töltő feszültség alá kerülhet.
- Soha ne tisztítsa vízzel az akkumulátortöltőt.
- Az akkumulátortöltőt 8 éven felüli gyermekek, illetve csökkent fizikai, érzékelési vagy szellemi képességekkel rendelkező, vagy az akkumulátortöltő működtetésében járatlan személyek is használhatják, amennyiben ezt felügyelet mellett teszik, illetve ismerik a készülék biztonságos működtetésének módját és az azzal járó veszélyeket. Gyermekek nem játszhatnak az akkumulátortöltővel. Gyermekek csak felügyelet mellett végezhetnek tisztítást és karbantartást.
- Ne töltsön nem újratölthető akkumulátorokat a töltővel.
- Ne használja az akkumulátortöltőt gyúlékony anyagok vagy olyan anyagok közelében, amelyek korróziót okozhatnak. Ne takarja le a töltőkészüléket. Amennyiben a töltő füstölni vagy égni kezdene, húzza ki a dugóját.
- Ne használjon meghibásodott vagy sérült akkumulátortöltőt.
- Az akkumulátort csak jó szellőzésű helyiségben, napfénytől távol töltsen. Ne töltsen az akkumulátort nedves körülmények között.
- A véletlen beindítás elkerülése érdekében karbantartáskor fordítsa a biztonsági kulcsot „0” állásba, és távolítsa el az akkumulátort. A karbantartás megkezdése előtt várjon legalább 5 másodpercet.
- Csak a felhasználói kézikönyvben megadott karbantartást végezze el. Komolyabb beavatkozásokat és szakszerű javításokat csak hivatalos szerviznek végezhet. Bővebb információért forduljon a legközelebbi szakszervizhez.
- A termék élettartamának növelése és a balesetveszély elkerülése érdekében végezze el szakszerűen a karbantartási műveleteket.
- A sérült, kopott vagy törött alkatrészt cserélje ki. Mindig a gyártó eredeti pótalkatrészeit használja. Más pótalkatrészek árosíthatják a terméket, és növelhetik a balesetveszélyt.
- A sérülések elkerülése érdekében ne távolítsa el és ne végezzen módosításokat a biztonsági eszközökön.
- A vágószerszemet használata során viseljen strapabíró védőkesztyűt. A kés nagyon éles, könnyen megvághatja magát.
- A legjobb és legbiztonságosabb teljesítmény érdekében tartsa a vágóéleket élesen és tisztán.
- Rendszeresen ellenőriztesse a gépet a szakszervizzel, és végeztesse el a szükséges beállításokat és javításokat.
- Kövesse a tartozékcserére vonatkozó utasításokat. Kizárólag a gyártótól származó tartozékokat használja.
- Ha nincs használatban, tartsa a terméket, az akkumulátort és az akkumulátortöltőt elkülönítve egy száraz, beltéri és zárt területen. Gondoskodjon róla, hogy gyermekek és felhatalmazással nem bíró személyek ne férhessenek hozzá a termékhez, az akkumulátorhoz és az akkumulátortöltőhöz.

## Biztonsági utasítások a karbantartáshoz



**FIGYELMEZTETÉS:** A termék használata előtt olvassa el az alábbi figyelmeztetéseket.

## Összeszerelés

### Bevezető



**FIGYELMEZTETÉS:** A termék összeszerelése előtt olvassa el a biztonságra vonatkozó fejezetet.

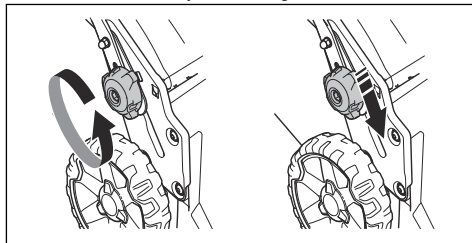


**FIGYELMEZTETÉS:** A véletlen beindítás elkerülése érdekében az összeszereléskor fordítsa a biztonsági kulcsot „0” állásba, vegye ki az akkumulátort, és várjon legalább 5 másodpercet.

### A fogantyú beállítása

1. Lazítsa meg az alsó csavarokat.

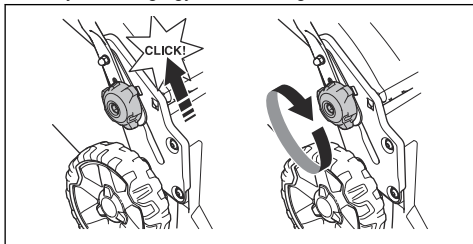
2. A gombokat a termék bal és jobb oldalán is csúsztassa a hornyok alsó végébe.



3. Állítsa a fogantyú magasságát a két lehetséges pozíció egyikébe.



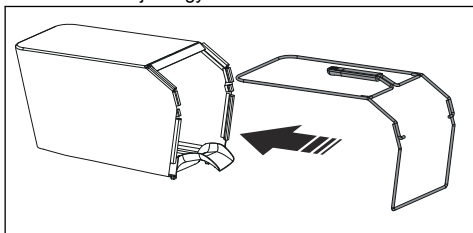
4. A gombokat ütközésig csúsztassa a fogantyú irányába, amíg egy kattánót nem hall.



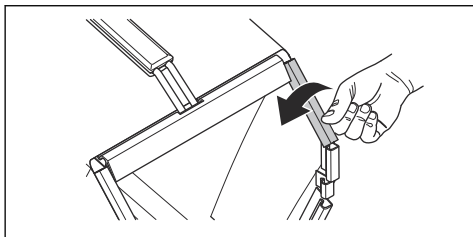
5. Teljesen húzza meg a gombokat.

## A fűgűjtő doboz felszerelése

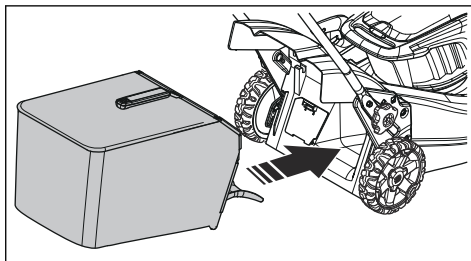
1. Rögzítse a fűgűjtő keretét a fűzsákban úgy, hogy a fűzsák merev része alul legyen. A keret fogantyúja a fűzsák tetején legyen.



2. Illessze a fűgűjtő keret alsó részét a fűgűjtő alján lévő vágatba.
3. A kapsokkal rögzítse a fűzsákot a fűgűjtő keretéhez.

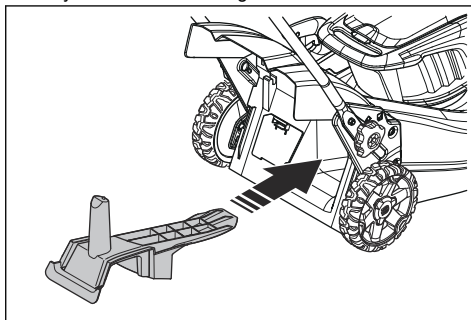


4. Emelje fel a hátsó burkolatot.
5. Csatlakoztassa a fűgűjtőt a vázszekrény felső széléhez.
6. Helyezze a fűgűjtő alsó részét a fűkidobó csatornába.



## A mulcsozó dugó (tartozék) összeszerelése

1. Emelje fel a hátsó burkolatot, és vegye ki a fűgűjtőt.
2. Helyezze a mulcsozó dugót a fűkidobó csatornába.



3. Cserélje ki a kést a mulcsozókészlethez mellékelt mulcsozókésekre. Lásd az *A kés cseréje* 299. oldalon fejezetet.

## Üzemeltetés

### Bevezető



**FIGYELMEZTETÉS:** A termék működtetése előtt el kell olvasnia és meg kell értenie a biztonságról szóló fejezetet.

### Husqvarna Connect

A Husqvarna Connect egy ingyenes mobilalkalmazás. A Husqvarna Connect alkalmazás kibővített funkciókat biztosít Husqvarna termékéhez:

- Bővebb termékinformációk.

- Információk és segítség a termékalkatrészekkel és a szervizeléssel kapcsolatban.

### A Husqvarna Connect használatának megkezdése

1. Töltse le az Husqvarna Connect alkalmazást mobilkészletére.
2. Regisztráljon egy fiókot a Husqvarna Connect alkalmazásban.
3. A termék csatlakoztatásához és regisztrálásához kövesse a Husqvarna Connect alkalmazásban megjelenő utasításokat.

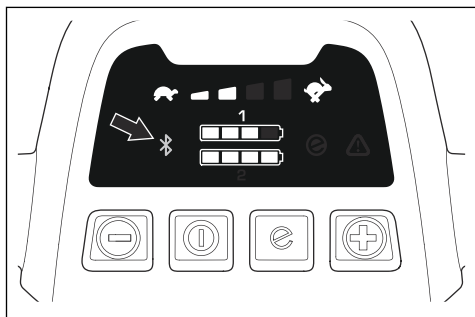


**Megjegyzés:** A Husqvarna Connect alkalmazás nem érhető el minden piacon. További tájékoztatásért forduljon az illetékes szakszervizhez.

## Bluetooth® információ (LC 347IVX, LC 353IVX)

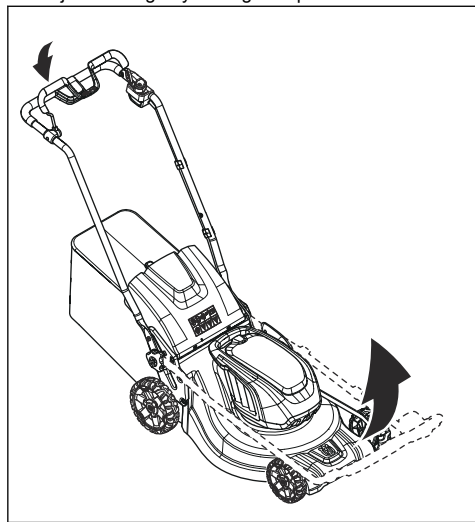
### Bluetooth® vezeték nélküli technológia

A *Bluetooth®* vezeték nélküli technológia szimbóluma akkor világít, amikor a mobilkészülék csatlakoztatva van a termékhez.

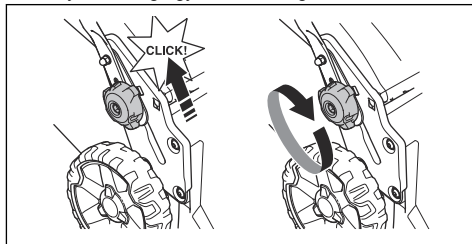


### A termék működési pozícióba állítása

1. Hajtsa ki a fogantyút a legfelső pozícióba.



2. A gombokat ütközésig csúsztassa a fogantyú irányába, amíg egy kattanó hangot nem hall.



3. Teljesen húzza meg a gombokat.

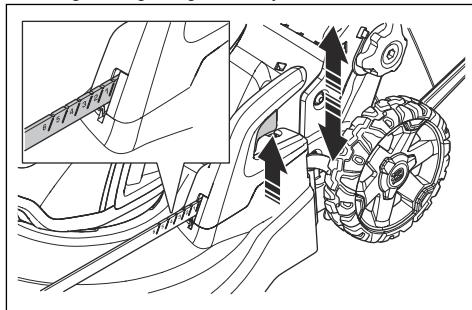


**FIGYELMEZTETÉS:** Csak akkor működtesse a terméket, ha a fogantyú teljesen fel van hajtva, és a megfelelő magassági helyzetek egyikébe be van állítva. Lásd: *A fogantyú beállítása 291. oldalon.*

### A vágási magasság beállítása

A vágási magasság 6 különböző szintre állítható.

1. A vágási magasság csökkentéséhez mozgassa lefelé a vágási magasságot szabályozó kart.
2. A vágási magasság növeléséhez mozgassa felfelé a vágási magasságot szabályozó kart.



**VIGYÁZAT:** Ne állítsa túl alacsonyra a vágási magasságot. A kések a talajba ütközhetnek, ha a pázsit felülete nem egyenletes.

### Akkumulátor



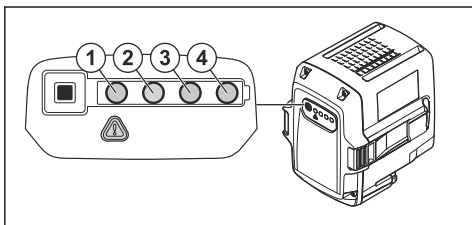
**FIGYELMEZTETÉS:** Az akkumulátor használata előtt el kell olvasnia és meg kell értenie a biztonságról szóló fejezetet. Olvassa el figyelmesen az akkumulátorhoz és az akkumulátortöltőhöz mellékelt használati útmutatót is.

Tartsa az akkumulátort és az akkumulátortöltőt megfelelő környezeti hőmérsékleten.

	Környezeti hőmérséklet
Az akkumulátor használata	5 °C – 40 °C
Az akkumulátor feltöltése	5 °C – 40 °C

## Akkumulátorállapot

A kijelző jelzi az akkumulátor töltöttségét, valamint azt, hogy van-e valami probléma az akkumulátorral. Az akkumulátortöltöttség jelzése 5 másodpercig látható a termék kikapcsolása, illetve az akkumulátorjelző gomb megnyomása után. Hiba esetén az akkumulátor figyelmeztető lámpája világít. Lásd: *Akkumulátor300. oldalon.*



LED lámpák	Akkumulátorállapot
Minden LED világít	Teljes töltöttség (75–100%)
Az 1., 2. és 3. LED világít	Az akkumulátor töltöttsége 50–75%-os
Az 1. és 2. LED világít	Az akkumulátor töltöttsége 25–50%-os
Az 1. LED világít	Az akkumulátor töltöttsége 0–25%-os
Az 1. LED villog.	Az akkumulátor lemerült. Töltse fel az akkumulátort.

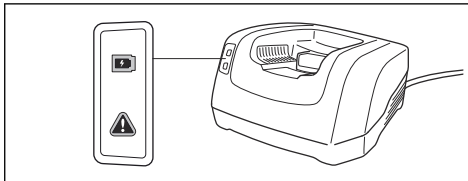
## Az akkumulátor töltése

Az első használat előtt tölts fel az akkumulátort. Az akkumulátor gyárilag csak 30%-ra van feltöltve.

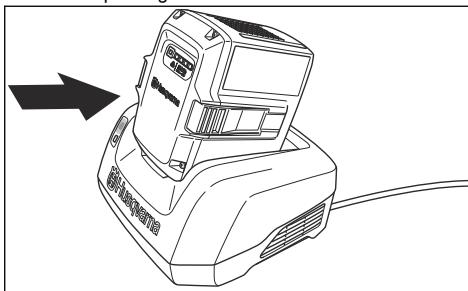
**Megjegyzés:** Az akkumulátortöltőt a típustáblán szereplő feszültségű és frekvenciájú áramforráshoz kell csatlakoztatni.

Ha az akkumulátor hőmérséklete 50 °C felett van, a töltés nem indul el. Az akkumulátortöltő csökkenti az akkumulátor hőmérsékletét, mielőtt megkezdené annak töltését.

1. Csatlakoztassa az akkumulátortöltőhöz való tápkábel egyik végét az akkumulátortöltő aljzatához.
2. Csatlakoztassa az akkumulátortöltőhöz való tápkábel másik végét egy földelt hálózati aljzathoz. Egyszer zölden felvillan a töltő LED-je.



3. Helyezze az akkumulátort a töltőbe. Az akkumulátor és a töltő közötti helyes érintkezésről a töltőn lévő zöld lámpa világítása tanúskodik.



4. Ha az akkumulátoron az összes LED világít, az akkumulátor teljesen fel van töltve. Az akkumulátort legfeljebb 24 óráig töltsé.
5. Az akkumulátortöltő fali aljzathoz történő kihúzásához a dugaszt húzza, ne a tápkábelt.
6. Vegye ki az akkumulátort a töltőből.

## Akkumulátortöltési állapot

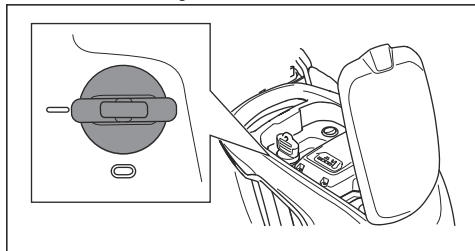
A Husqvarna lítiumion-akkumulátorok bármilyen töltöttségi szintnél tölthetők vagy használhatók. Ez nem árt az akkumulátornak. A teljesen feltöltött akkumulátor a töltőkészülékben hagyva sem veszít a töltöttségéből.

LED-es kijelző	Töltési állapot
Az 1. LED villog.	0%–25%
Az 1. LED világít, a 2. LED villog	25%–50%
Az 1. és 2. LED világít, a 3. LED villog.	50%–75%
Az 1., 2. és 3. LED világít, a 4. LED villog.	75%–100%
Az 1., 2., 3. és 4. LED világít	Teljesen feltöltve

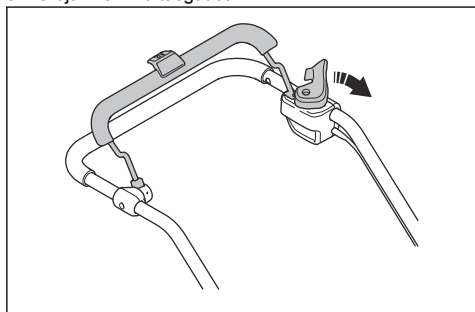
## A termék elindítása (LC 247i)

1. Nyissa fel az akkumulátorfedelelet.

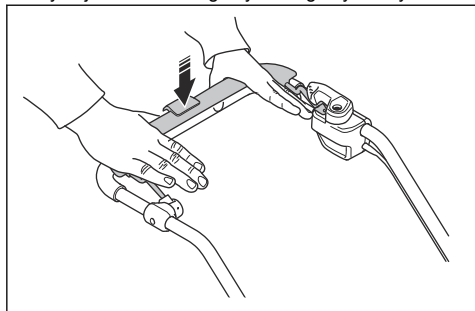
- Helyezze a feltöltött akkumulátort az akkumulátortartók egyikébe. Hosszabb használati idő esetén tegyen egy második feltöltött akkumulátort a másik akkumulátortartóba.
- Állítsa a biztonsági kulcsot „1” állásba.



- Maradjon a termék mögött.
- Oldja ki az indításgátlót.



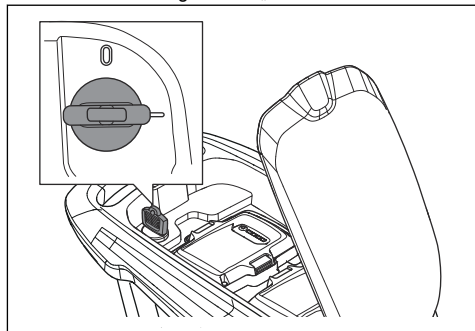
- Nyomja a motorfékfogantyút a fogantyú irányába.



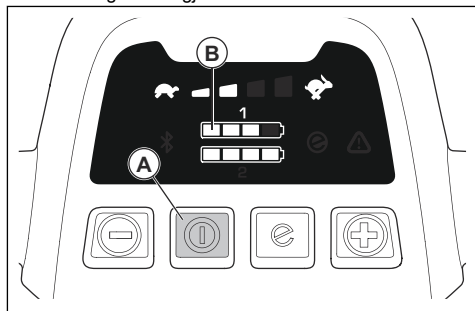
## A termék elindítása (LC 347iVX, LC 353iVX)

- Nyissa fel az akkumulátorfedelelet.
- Helyezze a feltöltött akkumulátort az akkumulátortartók egyikébe. Hosszabb használati idő esetén tegyen egy második feltöltött akkumulátort a másik akkumulátortartóba.

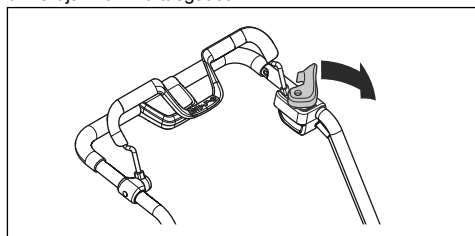
- Állítsa a biztonsági kulcsot „1” állásba.



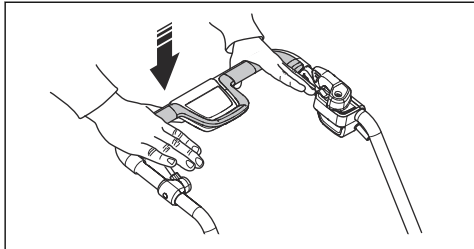
- Maradjon a termék mögött.
- Nyomja meg a vezérlőpanelen lévő ON/OFF gombot (A). A kijelző világítani kezd. Az akkumulátorjelző (B) a két akkumulátor töltöttségi szintjét jeleníti meg. Az akkumulátorjelző mellett a használatban lévő akkumulátor száma látható. Az LC 347iVX, LC 353iVX modellek esetében a kijelző a beállított sebességet is megjeleníti.



- Oldja ki az indításgátlót.

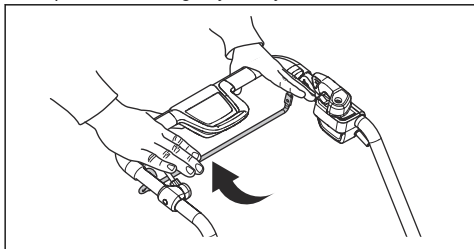


7. Nyomja a motorfékfogantyút a fogantyú irányába.

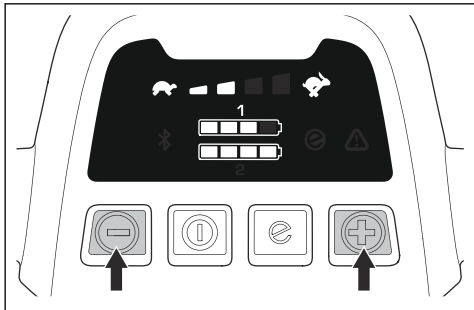


## A kerékeken levő meghajtó használata LC 347iVX, LC 353iVX

- A meghajtás indításához húzza a kerékajtás kapcsoló kart a fogantyú irányába.



- A vezérlőpanel + és - gombjainak megnyomásával 4 lépésben állíthatja a haladási sebességet.

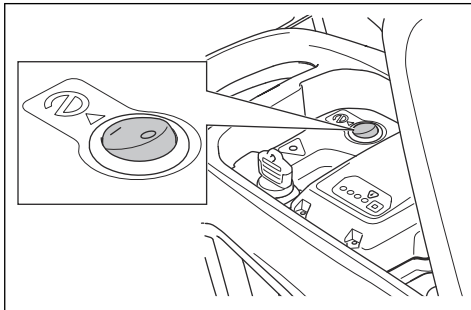


- Engedje el a kerékajtás kapcsoló kart, hogy kikapcsolja a meghajtást, például amikor akadály közelébe ér.

## A SavE™ funkció használata ((LC 247i))

A termék akkumulátorkímélő funkcióval (SavE™) rendelkezik, amely hosszabb üzemidőt biztosít.

- A funkció elindításához nyomja meg a SavE™ gombot, hogy az „1” állásban legyen.



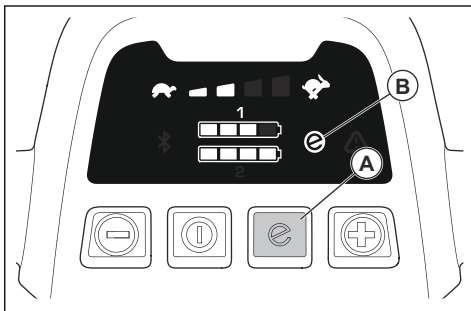
- A funkció leállításához nyomja meg a SavE™ gombot, hogy az „0” állásban legyen.

**Megjegyzés:** A SavE™ funkció automatikusan leáll, ha a talajkörülmények nagyobb teljesítményt követelnek meg. A SavE™ funkció automatikusan újra bekapcsol, ha a talajkörülmények lehetővé teszik.

## A SavE™ funkció használata ((LC 347iVX, LC 353iVX))

A termék akkumulátorkímélő funkcióval (SavE™) rendelkezik, amely hosszabb üzemidőt biztosít.

- A funkció elindításához nyomja meg a SavE™ gombot (A). A kijelzőn lévő SavE™ szimbólum (B) világitani kezd.
- A funkció leállításához nyomja meg ismét a SavE™ gombot. A kijelzőn lévő SavE™ szimbólum (B) kialszik.



**Megjegyzés:** A SavE™ funkció automatikusan leáll, ha a talajkörülmények nagyobb teljesítményt követelnek meg. A SavE™ funkció automatikusan újra bekapcsol, ha a talajkörülmények lehetővé teszik.

## Nagy terhelésű üzemmód funkció

Ha a termékkel hosszú vagy nedves fűvet vág, a motor automatikusan növeli a fordulatszámot. A motor normál módba tér vissza, ha a nincs szükség nagy terhelésre.

## Automatikus újraindítás

Használat közben a kés és a motor ideiglenesen leállhat olyan akadályok miatt, mint például a fű összetorlódása a vágóburkolat alatti. Ha ez bekövetkezik, és a motorfékfogantyút lenyomva tartja, a termék megpróbál automatikusan újraindulni. Ha a készülék 5 másodpercen belül nem indul újra, szükség lehet a vágóburkolat alatti terület kitisztítására. Lásd: *A termék tisztítása* 299. oldalon.



### FIGYELMEZTETÉS:

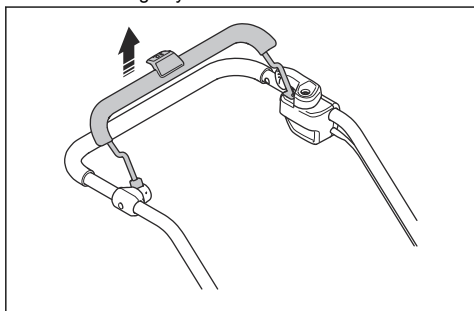
A vágóburkolat ellenőrzése előtt engedje el a motorfékfogantyút, fordítsa a biztonsági kulcsot „0” állásba, vegye ki az akkumulátort, és várjon legalább 5 másodpercet. Az akadály eltávolítása után a termék véletlen elindulása sérülésveszélyt okozhat.

## A termék ((LC 247i)) leállítása

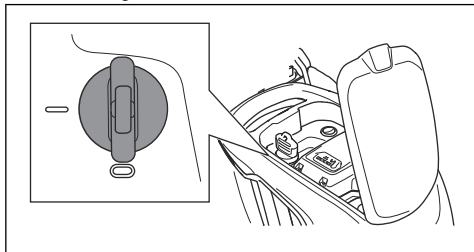


**FIGYELMEZTETÉS:** Mindig állítsa a biztonsági kulcsot „0” állásba, ha a terméket felügyelet nélkül hagyja.

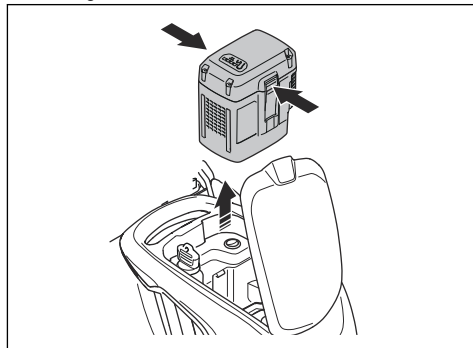
1. A motor leállításához engedje fel a motorfékfogantyút.



2. Nyissa fel az akkumulátorfedelelet, és fordítsa a biztonsági kulcsot „0” állásba.



3. Az akkumulátor eltávolításához nyomja meg a két kioldógombot, és húzza ki az akkumulátort.



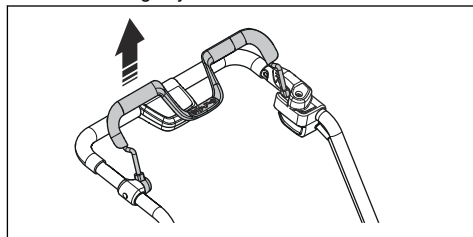
4. Töltse fel a gyenge töltöttségű akkumulátort. További információért lásd: *Az akkumulátor töltése* 294. oldalon.

## A termék ((LC 347iVX, LC 353iVX)) leállítása

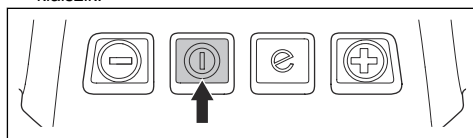


**FIGYELMEZTETÉS:** Mindig állítsa a biztonsági kulcsot „0” állásba, ha a terméket felügyelet nélkül hagyja.

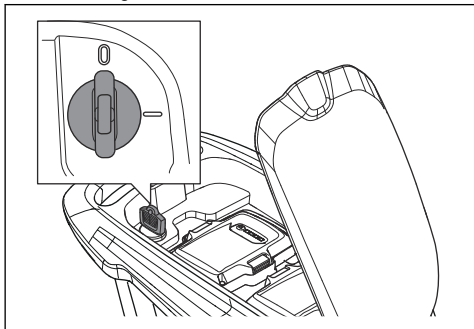
1. A motor leállításához engedje fel a motorfékfogantyút.



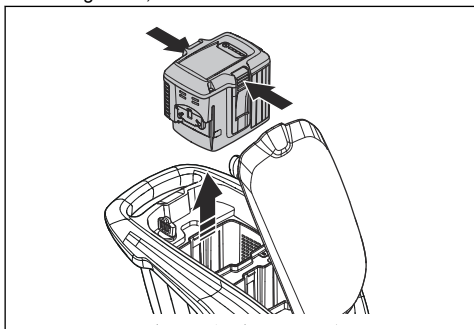
2. Nyomja meg a vezérlőpanelen lévő ON/OFF gombot. A kijelzőn lévő összes fény és szimbólum kialszik.



3. Nyissa fel az akkumulátorfedelelet, és fordítsa a biztonsági kulcsot „0” állásba.



4. Az akkumulátor eltávolításához nyomja meg a két kioldógombot, és húzza ki az akkumulátort.



5. Töltse fel a gyenge töltöttségű akkumulátort. További információért lásd: *Az akkumulátor töltése* 294. oldalon.

**Megjegyzés:** A termék automatikusan feszültségmentes állapotba kerül, ha néhány percig nem használja. A termék újraindításához lásd: *A termék elindítása (LC 347iVX, LC 353iVX)* 295. oldalon.

## Megfelelő eredmény elérése

- Használjon mindig éles kést. A tompa kés egyenetlen eredményt ad, és a fű vágási felülete megsárgul. Az éles kés egyben kevesebb energiát igényel, mint a tompa kés.
- Ne nyírjon le többet a fű hosszának 1/3-ánál. Először nagy vágási magasságot állítson be, és úgy nyírjon. Vizsgálja meg az eredményt, és csökkentse a vágási magasságot egy megfelelő szintre. Ha nagyon magas a fű, lassan és szükség esetén 2-szer nyírjon.
- Minden alkalommal más irányban haladjon, hogy ne alakuljanak ki sávok a pázsiton.
- Tartsa tisztán a vágóburkolatot. A vágóburkolat belső oldalán lerakódott fű és szennyeződés ronthatja a vágási eredményt. Lásd: *A termék tisztítása* 299. oldalon.

## Fű vágása fűgyűjtő vagy mulcsozó dugó nélkül

- Emelje fel a hátsó burkolatot, és vegye ki a fűgyűjtőt.
- Ha van felszerelve mulcsozó dugó és mulcsozókés, szerelje le azokat.
- Zárja le a hátsó burkolatot, mielőtt használni kezdené a terméket.

A termék használatakor a levágott fű a hátsó burkolat alatt ürül.

## Karbantartás

### Bevezetés



**FIGYELMEZTETÉS:** Karbantartás előtt el kell olvasnia és meg kell értenie a biztonságról szóló fejezetet.

A gépen végzett minden szerviz- és javítási munkákat szakképzettséget igényel. Garantáljuk a professzionális javítások és szervizelés lehetőségét. Ha viszonteladója nem szervizműhely, forduljon hozzájuk a legközelebbi szervizműhellyel kapcsolatban.

Részletesebb információért lásd: [www.husqvarna.com](http://www.husqvarna.com).

### Karbantartási terv

A karbantartási intervallumok meghatározásakor a termék napi használatát feltételeztük. Az intervallum változik, ha a terméket nem napi rendszerességgel használja.

A \*-gal jelölt karbantartásokhoz az utasításokat lásd: *Biztonság* 285. oldalon.

	Minden használat során	Havonta	Évszakonként
Végezzen általános ellenőrzés	X		
Tisztítsa meg a terméket	X		

	Minden használat során	Havonta	Évszakonként
Ellenőrizze az indításgátlót *	X		
Ellenőrizze, hogy nem hibásak-e a termék biztonsági eszközei *	X		
Ellenőrizze a vágószerkezetet	X		
Ellenőrizze a vágóburkolatot *	X		
Ellenőrizze a motorfékgantyút *	X		
Győződjön meg az ON/OFF gomb megfelelő, hibátlan működéséről	X		
Ellenőrizze, nem sérült-e az akkumulátor	X		
Ellenőrizze az akkumulátor töltöttségét	X		
Ellenőrizze, működnek-e az akkumulátor kioldógombjai, és megfelelően rögzül-e az akkumulátor a termékben	X		
Ellenőrizze az akkumulátortöltő épségét; győződjön meg arról, hogy megfelelően működik-e.		X	
Ellenőrizze az akkumulátor és a termék közötti csatlakozásokat. Ellenőrizze az akkumulátor és az akkumulátortöltő közötti csatlakozásokat is.			X

## Általános ellenőrzés

- Ellenőrizze, hogy az anyák és csavarok meg vannak-e szorítva a termékben.
- Ellenőrizze, hogy a termék kábeleli úgy helyezkednek-e el, hogy ne tudjanak megsérülni.

## A termék tisztítása

- A műanyag részeket tiszta, száraz törlőkendővel tisztítsa.
- A termék tisztításához ne használjon vizet. A víz az akkumulátorba vagy a motorba jutva azok rövidzárlatát vagy a termék károsodását okozhatja.
- Ne használjon nagynyomású mosót a termék tisztításához.
- Ne irányítsa a vízsugarat közvetlenül a motorra.
- Kefével távolítsa el a leveleket, a fűvet és az egyéb szennyeződéseket.

## Az akkumulátor és az akkumulátortöltő tisztítása



**FIGYELMEZTETÉS:** Soha ne tisztítsa vízzel az akkumulátort vagy az akkumulátortöltőt.

- Mielőtt az akkumulátort a töltőkészülékbe helyezné, győződjön meg róla, hogy az akkumulátor és az akkumulátortöltő tiszta és száraz-e.
- Az akkumulátorsaruk tisztítását sűrített levegővel vagy egy puha és száraz ruhával végezze.

- Az akkumulátor és a töltőkészülék felületének tisztítását puha és száraz ruhával végezze.

## A vágószerkezet ellenőrzése



**FIGYELMEZTETÉS:** A véletlen beindítás elkerülése érdekében fordítsa a biztonsági kulcsot „0” állásba, vegye ki az akkumulátort, és várjon legalább 5 másodpercet.



### FIGYELMEZTETÉS:

A vágószerkezet karbantartásakor használjon védőkesztyűt. A kés nagyon éles, könnyen megvághatja magát.

1. Ellenőrizze a vágószerkezetet sérülés, repedés szempontjából. Mindig cserélje ki a sérült vágószerkezetet.
2. Nézze meg a kést, hogy sérült-e vagy tompa-e.

**Megjegyzés:** A kés élezését követően ki kell egyensúlyozni. Végeztesse a kés élezését, cseréjét és kiegyensúlyozását szervizközponttal. Ha olyan akadályba ütközött, amely megállította a terméket, cserélje ki a sérült kést. Vizsgáltsa meg a szervizközpontban, hogy élezhető-e a kés, vagy pedig cserét igényel-e.

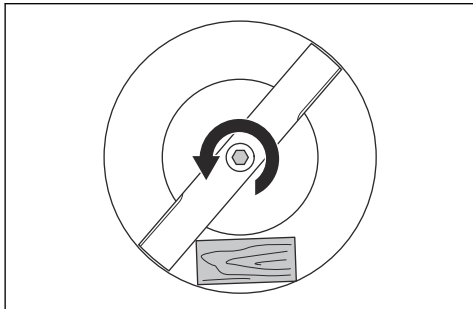
## A kés cseréje

A megfelelő késtípust illetően tekintse át a következőt:  
*Műszaki adatok304. oldalon.*

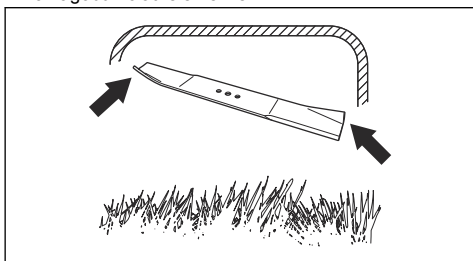


**FIGYELMEZTETÉS:** A kés cseréjekor rögzítse a kést egy fadarabbal, hogy elkerülje az ujjak sérülését. A kés elmozdulhat, ha a motor ki van kapcsolva, és az ujjak beszorulhatnak a kés és az álló alkatrészek közé.

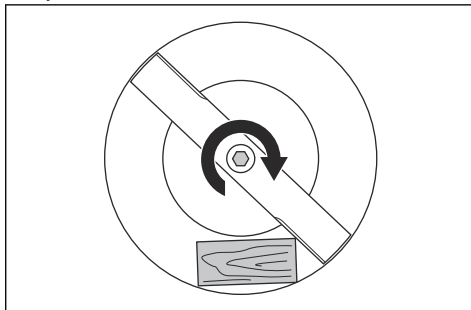
1. Rögzítse a kést egy fadarabbal.



2. Távolítsa el a késtartó csavart.  
3. Vegye le a korongot.  
4. Ellenőrizze a késtámaszt és a késtartó csavart, hogy sérült-e.  
5. Ellenőrizze a motor tengelyét, hogy nincs-e meghajolva.  
6. Az új kés rögzítésekor a kés ferde vége a vágóburkolat felé nézzen.



7. Győződjön meg róla, hogy a kés igazodik a motortengely középpontjához.  
8. Rögzítse a kést egy fadarabbal. Helyezze fel a rugós alátétet, és húzza meg a csavart 23–28 Nm nyomatékkal.



9. Forgassa meg a kést kézzel, és figyelje, hogy szabadon forog-e.



### FIGYELMEZTETÉS:

Használjon strapabíró kesztyűt. A kés nagyon éles, könnyen megvághatja magát.

10. Indítsa be a terméket, hogy tesztelje a kést. Ha a kés nincs megfelelően rögzítve, a termékben rezgés tapasztalható, vagy a vágási eredmény nem kielégítő.

## Hibaelhárítás

### Akkumulátor

LED az akkumulátoron	Ok	Megoldás
A zöld LED villog.	Az akkumulátor feszültsége alacsony.	Töltse fel az akkumulátort. Lásd: <i>Az akkumulátor töltése</i> 294. oldalon.



LED az akkumulátoron	Ok	Megoldás
Villog a hibajelző LED.	Az akkumulátor töltöttségi szintje alacsony.	Töltse fel az akkumulátort. Lásd: <i>Az akkumulátor töltése</i> 294. oldalon.
	A munkakörnyezet hőmérséklete túl magas vagy túl alacsony.	Az akkumulátort 5 °C és 40 °C közötti hőmérsékleten használja.
	Túlfeszültség.	Győződjön meg róla, hogy a hálózati feszültség megegyezik-e a termék adattábláján szereplő feszültségértékkel.  Vegye ki az akkumulátort a töltőből. Várjon 5 másodpercet, majd próbálja újra feltölteni az akkumulátort. Ha a probléma továbbra is fennáll, lépjen kapcsolatba egy hivatalos szakszervizzel.
A hibajelző LED világít.	Túl nagy a cellák közötti különbség (1 V).	Forduljon egy hivatalos szakszervizhez.

## Akkumulátortöltő

LED az akkumulátor-töltőn	Ok	Megoldás
Villog a hibajelző LED.	A munkakörnyezet hőmérséklete túl magas vagy túl alacsony.	Az akkumulátortöltőt 5 °C és 40 °C közötti hőmérsékleten használja.
A hibajelző LED világít.		Forduljon egy hivatalos szakszervizhez.

## Fűnyíró

A figyelmeztetésjelző (hibajelző LED) az akkumulátorfedél alatt ((LC 247i)) vagy a vezérlőpanelen ((LC 347iVX, LC 353iVX)) található.

Probléma	Hibajelző LED (vilanások száma)	Ok	Megoldás
Villog a hibajelző LED. A termék nem működik megfelelően.	3	A kés megszorult.	A véletlen beindítás megelőzéséhez mindig állítsa a biztonsági kulcsot „0” állásba. Távolítsa el az akkumulátort, és várjon legalább 5 másodpercet. Távolítsa el az esetleges akadályokat, és ellenőrizze, hogy a kés szabadon forog-e. Ha a probléma továbbra is fennáll, lépjen kapcsolatba egy hivatalos szakszervizzel.
	5	A motor fordulatszáma túlságosan lecsökken, majd a motor leáll.	Növelje a vágási magasságot. Lásd: <i>A vágási magasság beállítása</i> 293. oldalon.
	6 <sup>45</sup>	A kerekek vagy a sebességváltó be vannak akadva.	A véletlen beindítás megelőzéséhez mindig állítsa a biztonsági kulcsot „0” állásba. Távolítsa el az akkumulátort, és várjon legalább 5 másodpercet. Távolítsa el az esetleges akadályokat, és ellenőrizze, hogy a kerekek szabadon tudnak-e forogni. Ha a probléma továbbra is fennáll, lépjen kapcsolatba egy hivatalos szakszervizzel.
	10	A motor vezérlése túl forró.	Állítsa le a motort, és várjon, amíg lehül.
Villog a hibajelző LED. A termék leáll.	0	Akkumulátorcsatlakozó hiba.	Vizsgálja meg az akkumulátor csatlakozóját.
	3	A motor túlterhelése tapasztalható.	Növelje a vágási magasságot. Lásd: <i>A vágási magasság beállítása</i> 293. oldalon.
	8	Az akkumulátor töltöttségi szintje alacsony.	Töltse fel az akkumulátort. Lásd: <i>Az akkumulátor töltése</i> 294. oldalon.
	9	Akkumulátorhiba, vagy nincs jel az akkumulátortól.	Helyezze be megfelelően az akkumulátort, és ellenőrizze az akkumulátorcsatlakozót. Ha az akkumulátoron lévő hibajelző LED villog: Lásd: <i>Akkumulátor</i> 300. oldalon.
	12	Nem megfelelő indítási folyamat. A motorfékfogantyút a motor beindítása előtt behúzta.	Engedje el a motorfékfogantyút, és várjon kb. 5 másodpercet. A termék elindításához húzza be újra a motorfékfogantyút.
Egyéb hibák.	Egyéb hibák esetén fordítsa a biztonsági kulcsot „0” állásba, vegye ki az akkumulátort, és forduljon egy hivatalos szervizműhelyhez.		

<sup>45</sup> LC 347iVX, LC353iVX

# Szállítás, tárolás és ártalmatlanítás

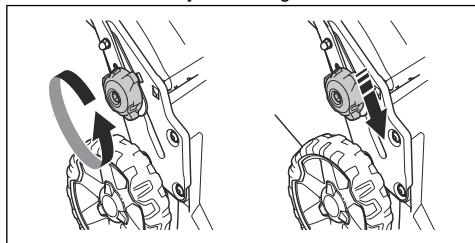
## Bevezető



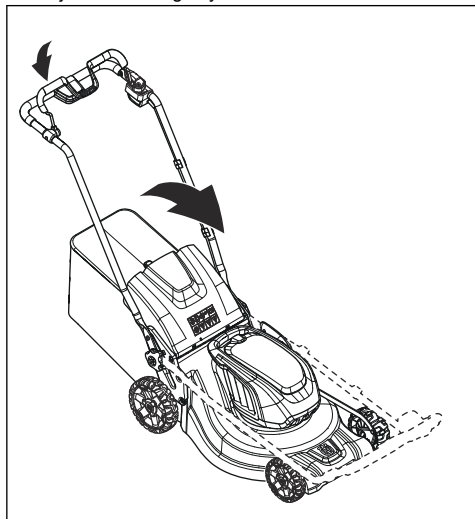
**FIGYELMEZTETÉS:** A véletlen beindítás elkerülése érdekében szállítás előtt fordítsa a biztonsági kulcsot „0” állásba, vegye ki az akkumulátort, és várjon legalább 5 másodpercet.

## A termék szállítási pozícióba állítása

1. Lazítsa meg az alsó csavarokat.
2. A gombokat a termék bal és jobb oldalán is csúsztassa a hornyok alsó végébe.



3. Hajtsa előre a fogantyút.



4. Vegye ki a fűgyűjtőt.

## Szállítás

- A mellékelt lítium-ion akkumulátorokra a veszélyes anyagokra vonatkozó jogszabályok követelményei érvényesek.

- Kereskedelmi szállításnál be kell tartani a csomagoláson és címkéken szereplő speciális előírásokat.
- Ügyeljen rá, hogy betartsa a veszélyes anyagokra vonatkozó jogszabályokat a termék szállításra való előkészítésekor. Az esetleges helyi jogszabályokat is be kell tartani.
- Szállításhoz mindig vegye ki az akkumulátort.
- Tegyen ragasztószalagot az akkumulátor csatlakozóira, és gondoskodjon róla, hogy az akkumulátor ne mozdulhasson el a szállítás során.
- Szállításkor rögzítse a terméket.

## Tárolás

- Tárolás előtt hagyja lehűlni a terméket.
- Tároláshoz mindig vegye ki az akkumulátort.
- A baleset megelőzése érdekében tároláskor az akkumulátor ne csatlakozzon a termékhez.
- Az akkumulátortöltőt zárt, száraz helyen tárolja.
- Az akkumulátort és az akkumulátortöltőt száraz helyen tárolja, ahol nem alakul ki nedvesség vagy fagy.
- A tárolás során csatlakoztassa le az akkumulátort az akkumulátortöltőtől.
- Ne tartsa az akkumulátort olyan helyen, ahol elektrosztatikus töltés lehet jelen. Ne tartsa az akkumulátort fém dobozban.
- A terméket olyan helyen tárolja, ahol a környezeti hőmérséklet  $-10\text{ °C}$  és  $40\text{ °C}$  között van.
- Olyan helyen tárolja az akkumulátort, ahol a környezeti hőmérséklet mindig  $5\text{ °C}$  és  $25\text{ °C}$  közé esik, és védve van a napfénytől.
- Olyan helyen tárolja az akkumulátortöltőt, ahol a környezeti hőmérséklet mindig  $5\text{ °C}$  és  $45\text{ °C}$  közé esik, és védve van a napfénytől.
- A hosszú ideig való tárolás előtt győződjön meg róla, hogy az akkumulátor legalább 30–50%-os töltöttségű.
- Tartsa a terméket, az akkumulátort és az akkumulátortöltőt gyermekektől és jogosulatlan személyektől elzárt területen.
- Tisztítsa meg a terméket, és győződjön meg arról, hogy a fűgyűjtő üres.
- Végezze el a jelen kezelői kézikönyvben megadott karbantartási eljárásokat. Lásd: *Karbantartás298. oldalon.*
- A termék hosszú ideig való tárolása előtt végezze el annak teljes karbantartását.

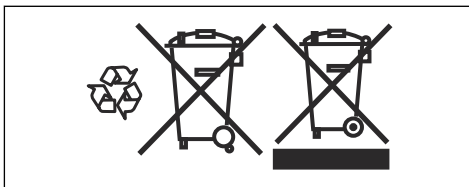
## Hulladékként való kezelés

A terméken vagy a csomagolásán található szimbólum azt jelzi, hogy ezt a terméket nem szabad a háztartási hulladék közé helyezni. A megfelelő újrafeldolgozó

pontra el kell juttatni az elektromos és elektronikus berendezések hasznosítása érdekében.

A termék megfelelő kezelésének biztosításával segíthet kiküszöbölni azokat a környezetre és az emberre gyakorolt potenciális negatív hatásokat, amelyeket a termék helytelen hulladékkezelése okozhat. A termék újrahasznosításával kapcsolatban az önkormányzat, a hulladékártalmatlanítási szolgáltatást

végző vállalkozás, illetve a terméket értékesítő szakkereskedés nyújthat részletesebb tájékoztatást.



## Műszaki adatok

### Műszaki adatok

	LC 247i	LC 347IVX	LC 353IVX
<b>Nyírómotor</b>			
Motor típus	BLDC (kefe nélküli) 36 V	BLDC (kefe nélküli) 36 V	BLDC (kefe nélküli) 36 V
Motor fordulatszáma – SavE, ford./perc	2600/min	2600/min	2600/min
Motor fordulatszáma – Névleges, ford./perc	3000/min	3000/min	3000/min
Motor fordulatszáma – nagy terhelés, ford./perc	3500/min	3500/min	3500/min
Motor teljesítménye – max. kW	0,96	0,96	1,05
Motor teljesítménye – névleges, kW	0,75	0,75	0,9
<b>Hajtómotor</b>			
Motor teljesítménye – névleges, kW	N/A	0,25	0,25
Önjárás sebessége, km/h	N/A	3,0-4,5	3,0-4,5
Sebességfokozatok száma	N/A	4	4
<b>Tömeg</b>			
Tömeg zsák nélkül (akkumulátor nélkül), kg	24,5	26	28
Tömeg zsákkal (2 x BLi30 akkumulátorral), kg	30,5	32,0	34,5
<b>Akkumulátor</b>			
Akkumulátor típusa	Husqvarna akkumulátor sorozat		
<b>Akkumulátor üzemideje</b>			
Akkumulátor üzemidő, min., (üresjárat) SavE funkcióval, egy 7,7 Ah-s Husqvarna (BLi30) akkumulátorral.	62	62	46
Akkumulátor üzemidő, min., (üresjárat) normál üzemmódban, egy 7,7 Ah-s Husqvarna (BLi30) akkumulátorral.	43	43	28

	LC 247I	LC 347IVX	LC 353IVX
<b>Zajkibocsátás</b> <sup>46</sup>			
Hangteljesítményszint, mért dB (A) érték	94	94	97
Hangteljesítményszint, garantált, L <sub>WA</sub> dB (A)	95	95	98
<b>Zajszintek</b> <sup>47</sup>			
Hangnyomásszint a felhasználó fülénél, dB (A)	82	82	86
<b>Rezgésszintek</b> <sup>48</sup>			
Fogantyú, m/s <sup>2</sup>	0,42	0,42	2,64
<b>Vágófelszerelés</b>			
Vágási magasság, mm	20-75 mm	20-75 mm	20-75 mm
Vágási szélesség, cm	47	47	53
Standard kés	Gyűjtő 5905934-10	Gyűjtő 5905934-10	Gyűjtő 5940757-10
Tartozék kés	Mulch 5907010-10	Mulch 5907010-10	Mulch 5950072-10
Fűgyűjtő űrtartalma, liter	55	55	60

A Bluetooth® technológiára vonatkozó rádiófrekvenciás adatok	LC 247I	LC 347IVX	LC 353IVX
Frekvenciasáv, GHz	N/A	2,4-2,4835	2,4-2,4835
Kimeneti teljesítmény, max. dBm	N/A	4	4

Jóváhagyott akkumulátorok	Típus	Akkumulátor kapacitása, Ah	Feszültség, V	Tömeg, font/kg
BLi20	Lítium-ion	4,0	36	2,6/1,2
BLi30	Lítium-ion	7,7	36	4,2/1,9

A megadott akkumulátorokhoz jóváhagyott töltők, BLI	Bemeneti feszültség, V	Frekvencia, Hz	Teljesítmény, W
QC80	100-240	50-60	80
40-C80	100-240	50-60	68,8

<sup>46</sup> A környezetben a 2000/14/EK sz. EK irányelvvel összhangban hangteljesítményként mért zajkibocsátás (L<sub>WA</sub>).

<sup>47</sup> A hangnyomásszintre vonatkozó jelentési adatok bizonytalansági tényezője (K) 1,5 dB (A).

<sup>48</sup> A rezgésszintre vonatkozó jelentési adatok bizonytalansági tényezője (K) 1,5 m/s<sup>2</sup>. A teljes rezgés deklarált értékének mérése az EN 62841-4-3 szabvány I. mellékletével összhangban történt, és felhasználható az egyes gépek összehasonlítására, valamint a kitétség előzetes értékelésére.

A megadott akkumulátorokhoz jóváhagyott töltők, BLi	Bemeneti feszültség, V	Frekvencia, Hz	Teljesítmény, W
QC250	100-240	50-60	250

# Megfelelőségi nyilatkozat

## EU megfelelési nyilatkozat

A **Husqvarna AB**, SE-561 82 Huskvarna, Sweden (tel.: +46-36-146500), a saját felelősségére kijelenti, hogy a termék:

<b>Leírás</b>	Fűnyíró
<b>Márka</b>	Husqvarna
<b>Típus/modell</b>	LC 247i
<b>Megjelölés</b>	2021-es és újabb sorozatszámok

teljes mértékben megfelel a következő EU-irányelveknek és rendeleteknek:

<b>Irányelv/rendelet</b>	<b>Leírás</b>
2006/42/EK	„gépre vonatkozó”
2014/30/EU	„elektromágneses megfelelésre vonatkozó”
2000/14/EK	„környezeti zajkibocsátásra vonatkozó”
2011/65/EU	„az egyes veszélyes anyagok elektromos és elektronikus berendezésekben való alkalmazásának korlátozására vonatkozó”

valamint hogy az alábbi szabványok és/vagy műszaki előírások kerültek alkalmazásra: EN 62841-1:2015+AC:2015, EN 62841-4-3:2021+A11:2021, EN ISO 12100:2010, EN 55014-1:2017+A11:2020, EN 55014-2:2015, EN IEC 63000:2018.

Bejelentett tanúsítási szervezet: A 0404, RISE SMP Svensk Maskinprovning AB, Box 7035, SE-750 07 Uppsala igazolja a Bizottság 2000/14/EK jelű irányelve VI., megfelelésértékelési eljárás című függelékének való megfelelést.

A zajkibocsátásra vonatkozó tájékoztatást illetően tekintse át a következőt: *Műszaki adatok304. oldalon.*

Huskvarna, 2021-12-01



Claes Losdal, Fejlesztési Igazgató/Kertművelési termékek, Husqvarna AB

A műszaki dokumentációk felelőse



## EU megfelelési nyilatkozat

A **Husqvarna AB**, SE-561 82 Huskvarna, Sweden (tel.: +46-36-146500), a saját felelősségére kijelenti, hogy a termék:

<b>Leírás</b>	Fűnyíró
<b>Márka</b>	Husqvarna
<b>Típus/modell</b>	LC 347iVX, LC 353iVX
<b>Megjelölés</b>	2021-12-01-es és újabb sorozatszámok

teljes mértékben megfelel a következő EU-irányelveknek és rendeleteknek:

<b>Irányelv/rendelet</b>	<b>Leírás</b>
2006/42/EK	„gépre vonatkozó”
2014/53/EU	„rádióberendezésekkel kapcsolatos”
2000/14/EK	„környezeti zajkibocsátásra vonatkozó”
2011/65/EU	„az egyes veszélyes anyagok elektromos és elektronikus berendezésekben való alkalmazásának korlátozására vonatkozó”

valamint hogy az alábbi szabványok és/vagy műszaki előírások kerültek alkalmazásra: EN 62841-1:2015+AC:2015, EN 62841-4-3:2021+A11:2021, EN ISO 12100:2010, EN 55014-1:2017+A11:2020, EN 55014-2:2015, EN IEC 63000:2018, EN ETSI 300 328 v.2.2.2, EN 50663: 2017, ETSI EN 301 489-1 V2.2.3, ETSI EN 301 489-17 V3.2.4.

Bejelentett tanúsítási szervezet: A 0404, RISE SMP Svensk Maskinprovning AB, Box 7035, SE-750 07 Uppsala igazolja a Bizottság 2000/14/EK jelű irányelve VI., megfelelőségértékelési eljárás című függelékének való megfelelést.

A zajkibocsátásra vonatkozó tájékoztatást illetően tekintse át a következőt: *Műszaki adatok304. oldalon.*

Huskvarna, 2021-12-01

Claes Losdal, Fejlesztési Igazgató/Kertművelési termékek, Husqvarna AB

A műszaki dokumentációk felelőse



---

## Bejegyzett védjegyek

---

A *Bluetooth®* szóvédjegy és embléma a(z) *Bluetooth S/G, inc.* bejegyzett védjegye, és ezen jelzések Husqvarna általi használata licenclés keretében történik.



---

## Sommario

---

Introduzione.....	309	Ricerca guasti.....	327
Sicurezza.....	311	Trasporto, stoccaggio e smaltimento.....	329
Montaggio.....	317	Dati tecnici.....	330
Utilizzo.....	319	Dichiarazione di conformità.....	333
Manutenzione.....	325	Marchi registrati.....	334

---

## Introduzione

---

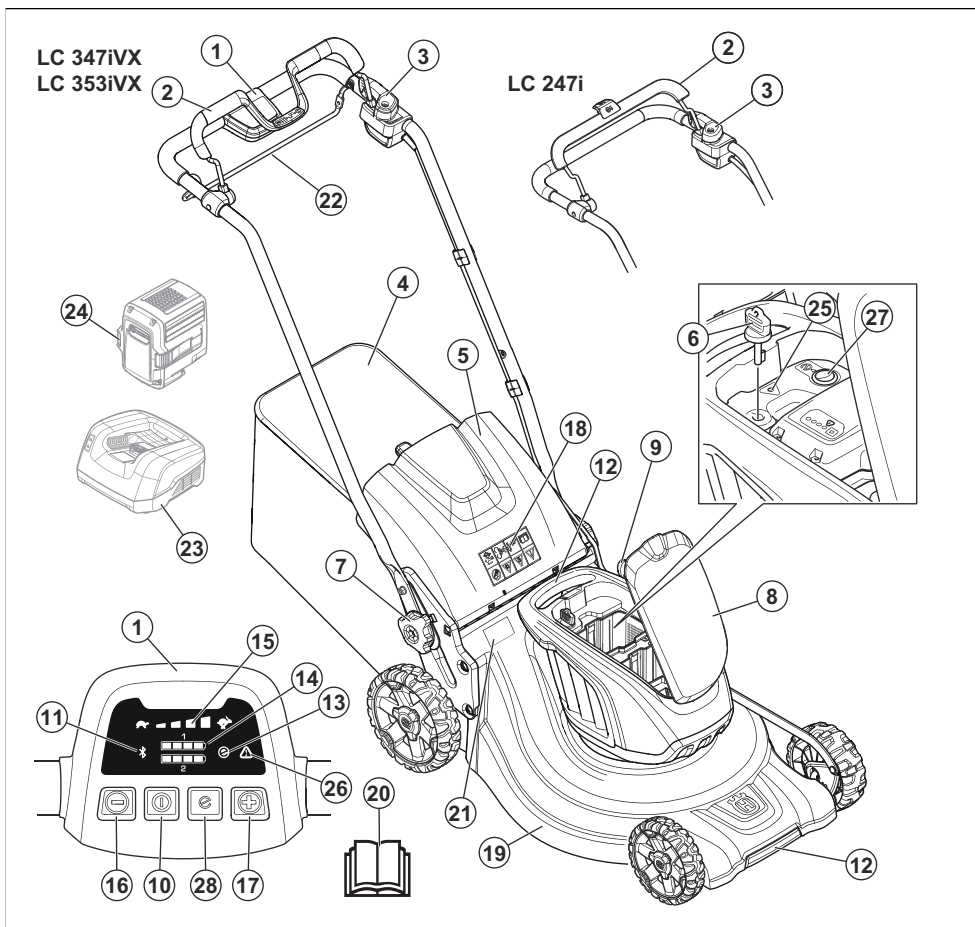
### Descrizione del prodotto

Il prodotto è un rasaerba rotativo con operatore a piedi. L'erba viene raccolta in un raccogliherba. Rimuovere il raccogliherba per scaricare l'erba dalla parte posteriore del prodotto. Agganciare un kit di pacciamatura (accessorio) per tagliare l'erba da utilizzare come fertilizzante.

### Uso previsto

Utilizzare il prodotto per tagliare l'erba. Non utilizzare il prodotto per altre attività.

## Panoramica del prodotto



1. Pannello di controllo (LC 347iVX, LC 353iVX)

2. Impugnatura del freno motore

3. Inibitore di avviamento

4. Raccogliherba

5. Coperchio posteriore

6. Chiave di sicurezza

7. Manopola dell'impugnatura

8. Sportello del vano batteria

9. Controllo dell'altezza di taglio

10. pulsante ON/OFF

11. Indicatore della tecnologia wireless *Bluetooth*<sup>®</sup>

12. Maniglia di sollevamento

13. Indicatore Save

14. Indicatore della batteria

15. Indicatore del livello di velocità (LC 347iVX, LC 353iVX)

16. Pulsante per diminuire la velocità (LC 347iVX, LC 353iVX)

17. Pulsante per aumentare la velocità (LC 347iVX, LC 353iVX)

18. Simboli

19. Coperchio di taglio

20. Manuale operatore

21. Targhetta dati di funzionamento

22. Impugnatura di comando (LC 347iVX, LC 353iVX)

23. Caricabatterie (accessorio)

24. Batteria (accessorio)

25. LED errore (LC 247i)

26. LED errore (LC 347iVX, LC 353iVX)

27. Pulsante SavE (LC 247I)  
 28. Pulsante SavE (LC 347iVX, LC 353iVX)

in *Dati tecnici alla pagina 330* e sull'etichetta.

## Simboli riportati sul prodotto



AVVERTENZA



Leggere le istruzioni.



AVVERTENZA - Prestare attenzione agli oggetti lanciati.



Tenere lontano persone e animali dalla zona di lavoro.



AVVERTENZA - Tenere mani e piedi lontani dalle lame.



AVVERTENZA - Scollegare la batteria prima di eseguire la manutenzione.



Il prodotto o l'imballaggio del prodotto non è un rifiuto domestico. Riciclarlo in una stazione di riciclaggio per apparecchiature elettriche ed elettroniche.



Il prodotto è conforme alle direttive CE vigenti.



Emissione di rumore sull'etichetta ambientale secondo le direttive e le normative UE e UK. Il livello di potenza sonora garantito del prodotto è specificato

## IPX1

Il prodotto è protetto da gocciolamento.



Rilasciare l'impugnatura del freno motore per arrestarlo.



Codice scansionabile

**Nota:** I restanti simboli/decalcomanie sul prodotto riguardano particolari requisiti necessari per ottenere la certificazione in alcuni mercati.

## Etichetta sul prodotto



PERICOLO - Tenere a distanza mani e piedi.

## Responsabilità del prodotto

Come indicato nelle leggi vigenti in materia di responsabilità obbligatoria sul prodotto, non siamo responsabili per eventuali danni causati dal nostro prodotto se:

- Il prodotto viene riparato in modo errato.
- Il prodotto viene riparato con parti che non provengono o non sono omologate dal produttore.
- Il prodotto contiene un accessorio che non proviene o non è omologato dal produttore.
- Il prodotto non viene riparato presso un centro di assistenza autorizzato o presso un'autorità competente.

## Sicurezza

### Definizioni di sicurezza

Le avvertenze, le precauzioni e le note sono utilizzate per evidenziare le parti importanti del manuale.



**AVVERTENZA:** Utilizzato se è presente un rischio di lesioni o morte dell'operatore o di passanti nel caso in

cui le istruzioni del manuale non vengano rispettate.



**ATTENZIONE:** Utilizzato se è presente un rischio di danni al prodotto, ad altri materiali oppure alla zona adiacente nel caso in cui le istruzioni del manuale non vengano rispettate.

**Nota:** Utilizzato per fornire ulteriori informazioni necessarie in una determinata situazione.

## Avvertenze generali di sicurezza sul prodotto



**AVVERTENZA:** Leggere tutte le specifiche, illustrazioni, istruzioni e avvertenze di sicurezza fornite con questo prodotto. La mancata osservanza di tutte le istruzioni elencate di seguito può dare luogo a scosse elettriche, incendi e/o gravi lesioni.

**Conservare tutte le avvertenze e le istruzioni per la futura consultazione.** Nelle avvertenze, il termine "prodotto" si riferisce al prodotto alimentato tramite rete elettrica (con cavo) o a batteria (senza fili).

### Sicurezza dell'area di lavoro

- **Tenere l'area di lavoro pulita e ben illuminata.** Il disordine e le aree di lavoro non illuminate possono essere causa di incidenti.
- **Non mettere in funzione il prodotto in ambienti esplosivi, quali quelli che comportano la presenza di liquidi infiammabili, gas o polvere.** Il prodotto genera scintille che possono incendiare polveri o fumi.
- **Evitare che bambini e altre persone si avvicinino mentre il prodotto è in funzione.** Le distrazioni possono causare la perdita del controllo.

### Sicurezza elettrica

- **Le spine del prodotto devono essere adatte alla presa. Evitare assolutamente di apportare modifiche alla spina. Non utilizzare adattatori con prodotti dotati di messa a terra.** Le spine non modificate e le prese adatte allo scopo riducono il rischio di scosse elettriche.
- **Evitare il contatto con superfici messe a massa o collegate a terra, come condutture, radiatori, stufe e frigoriferi.** Sussiste un maggior rischio di scosse elettriche nel momento in cui il corpo è messo a massa.
- **Non esporre i prodotti a pioggia o umidità.** L'ingresso di acqua nel prodotto aumenta il rischio di scosse elettriche.
- **Non rovinare il cavo elettrico. Non utilizzare mai il cavo per trasportare, tirare o staccare dalla presa il prodotto. Non avvicinare il cavo a fonti di calore, olio,**

**spigoli taglienti e neppure a parti della macchina che siano in movimento.** I cavi danneggiati o attorcigliati fanno aumentare il rischio di scosse elettriche.

- **Qualora si utilizzi il prodotto all'aperto, servirsi di un cavo di prolunga adatto.** L'uso di un filo di prolunga omologato per l'impiego all'aperto riduce il rischio di scosse elettriche.
- **Se l'impiego del prodotto in ambienti umidi è inevitabile, utilizzare una fonte di alimentazione con interruttore differenziale (salvavita).** L'utilizzo del salvavita riduce il rischio di scosse elettriche.

### Sicurezza personale

- **Durante l'utilizzo del prodotto, prestare attenzione e utilizzare il buonsenso. Non utilizzare un prodotto quando si è stanchi o sotto l'effetto di droghe, alcol o farmaci.** Un momento di disattenzione può provocare lesioni personali gravi.
- **Usare sempre abbigliamento protettivo personale. Indossare sempre una protezione per gli occhi.** L'uso in condizioni adeguate dell'abbigliamento protettivo (come mascherina protettiva, calzature di sicurezza antiscivolo, elmetto o cuffie protettive) riduce le lesioni personali.
- **Prevenire la messa in funzione accidentale. Assicurarsi che l'interruttore sia in posizione OFF prima di effettuare il collegamento alla fonte di alimentazione e/o al pacco batterie, o di sollevare o trasportare il prodotto.** Trasportare il prodotto tenendo le dita sull'interruttore oppure accendere prodotti con l'interruttore acceso, può provocare incidenti.
- **Rimuovere eventuali chiavi o strumenti di regolazione prima di accendere il prodotto.** Una chiave o altro attrezzo rimasto attaccato a parti rotanti del prodotto può provocare lesioni personali.
- **Operare in sicurezza. Operare sempre facendo attenzione a posizionare bene i piedi e a mantenere l'equilibrio.** In questo modo è possibile ottenere un migliore controllo del prodotto in situazioni impreviste.
- **Vestirsi in maniera adeguata. Non indossare abiti troppo ampi o gioielli. Tenere capelli e indumenti lontani dalle parti in movimento.** Lasciati liberi, indumenti, gioielli o capelli lunghi possono restare impigliati nelle parti in movimento.
- **Qualora vengano forniti strumenti per il collegamento a strutture di estrazione e raccolta della polvere, accertarsi che queste siano collegate e usate in modo adeguato.** La raccolta della polvere può ridurre i rischi legati alla presenza di questo agente.
- **La familiarità e l'esperienza acquisite a seguito dell'uso frequente del prodotto non devono essere motivo di distrazione nell'utilizzo dello stesso. Non ignorare i principi di sicurezza del prodotto.** Un'azione incauta può provocare gravi danni in una frazione di secondo.

## Cura e utilizzo del prodotto

- **Non esercitare forza sul prodotto. Utilizzare il prodotto adatto all'applicazione.** Il prodotto corretto svolgerà il lavoro al meglio e in modo più sicuro se utilizzato alla velocità per la quale è stato progettato.
- **Non utilizzare il prodotto se non è possibile accenderlo o spegnerlo tramite interruttore.** Nel caso in cui il prodotto non possa essere controllato tramite interruttore è una situazione di pericolo e, pertanto, è necessario ripararlo.
- **Scollegare la spina dalla fonte di alimentazione e/o rimuovere dal prodotto il pacco batterie, se staccabile, prima di procedere a eventuali regolazioni, sostituzioni di accessori o alla conservazione dei prodotti.** Tali misure di sicurezza preventive riducono il rischio di avvio accidentale del prodotto.
- **Riporre i prodotti quando spenti fuori dalla portata dei bambini e non consentirne l'utilizzo a persone che non hanno familiarità con tali prodotti e con queste istruzioni.** Se utilizzati da persone non preparate, tali prodotti sono pericolosi.
- **Effettuare la manutenzione del prodotto e degli accessori. Verificare l'eventuale presenza di un allineamento non corretto o inceppamento delle parti in movimento, la rottura di pezzi o altra condizione che possa compromettere il funzionamento del prodotto. Qualora danneggiato, riparare il prodotto prima dell'uso.** Numerosi incidenti sono provocati da prodotti sottoposti a manutenzione inadeguata.
- **Mantenere affilati e puliti gli strumenti da taglio.** Con una manutenzione adeguata, gli strumenti da taglio con bordi affilati risultano più facili da controllare e meno pericolosi.
- **Utilizzare il prodotto, gli accessori, le punte ecc. come indicato nelle presenti istruzioni, tenendo conto delle condizioni di lavoro e della prestazione da effettuare.** L'utilizzo del prodotto per usi diversi da quelli previsti può provocare situazioni di pericolo.
- **Mantenere le impugnature e le superfici di presa asciutte, pulite e prive di olio e grasso.** Le impugnature e le superfici di presa scivolose non consentono una manipolazione e un controllo sicuri del prodotto in situazioni impreviste.

## Servizio

- **Fare riparare il prodotto da personale specializzato utilizzando esclusivamente pezzi di ricambio originali.** Ciò consente di mantenere il prodotto in perfette condizioni di sicurezza.
- **Non riparare mai le batterie danneggiate.** Gli interventi di manutenzione sul pacco batterie devono essere eseguiti esclusivamente dal produttore o da centri assistenza autorizzati.

## Utilizzo e manutenzione della batteria

- **Ricaricare l'attrezzo esclusivamente utilizzando il caricabatterie specificato dal produttore.** L'utilizzo di

un caricabatterie indicato per un altro tipo di batteria potrebbe provocare rischio di incendio.

- **Utilizzare i prodotti esclusivamente con le batterie specificate.** L'utilizzo di altri pacchi batteria potrebbe provocare lesioni e incendi.
- **Se la batteria non viene utilizzata, tenerla lontana da altri oggetti metallici, come graffette, monete, chiavi, chiodi, viti o altri piccoli oggetti metallici che potrebbero consentire il collegamento tra i terminali.** Provocare il cortocircuito dei terminali della batteria potrebbe causare ustioni o provocare un incendio.
- **In condizioni non ottimali, la batteria potrebbe perdere liquido; evitare il contatto. Qualora il contatto avvenisse, sciacquare la parte con acqua. Se il liquido entra negli occhi, chiamare immediatamente un medico.** Il liquido fuoriuscito dalla batteria potrebbe causare irritazioni o ustioni.
- **Non usare batterie o utensili danneggiati o modificati.** Batterie danneggiate o modificate possono manifestare un comportamento imprevedibile, con rischio di incendi, esplosioni e lesioni.
- **Non esporre batterie o utensili al fuoco o a temperature elevate.** L'esposizione al fuoco o una temperatura superiore a 130 °C (265°F) può provocare esplosioni.
- **Seguire tutte le istruzioni per il caricamento della batteria e non caricare la batteria o l'utensile al di fuori dell'intervallo di temperatura indicato nelle istruzioni.** Ricaricare in modo inappropriato o a temperature che non rientrano nell'intervallo specificato può danneggiare la batteria e aumentare il rischio di incendio.

## Avvertenze per la sicurezza del tagliaerba

- **Non utilizzare il tagliaerba in condizioni climatiche sfavorevoli, specialmente se vi è rischio di fulmini.** Ciò riduce il rischio di essere colpiti da un fulmine.
- **Ispezionare attentamente l'area in cui deve essere utilizzato il tagliaerba per verificare l'eventuale presenza di fauna selvatica.** Durante l'utilizzo, il tagliaerba può provocare lesioni alla fauna selvatica.
- **Controllare attentamente l'area in cui deve essere utilizzato il tagliaerba e rimuovere tutti i sassi, bastoncini, cavi, ossa e qualsiasi altro oggetto estraneo presente.** Gli oggetti che vengono scagliati possono provocare lesioni personali.
- **Prima di utilizzare il tagliaerba, controllare sempre che la lama e il gruppo lama non siano danneggiati o usurati.** Le parti danneggiate o usurate aumentano il rischio di lesioni.
- **Prima dell'utilizzo, verificare che i cavi di alimentazione e i cavi di prolunga non presentino segni di danni o usura. Non utilizzare il tagliaerba se il cavo è danneggiato o usurato. Se il cavo è danneggiato o usurato durante l'uso, spegnere il tagliaerba e non toccare il cavo prima di averlo scollegato dall'alimentazione.** Un cavo di alimentazione o una prolunga danneggiati possono provocare scosse elettriche, incendi e/o lesioni gravi.

- **Controllare frequentemente la presenza di usura e danni sul raccoglierba.** Un raccoglierba usurato o danneggiato può aumentare il rischio di lesioni personali.
- **Mantenere le protezioni in posizione. Le protezioni devono essere in buone condizioni e montate correttamente.** Una protezione allentata, danneggiata o non correttamente funzionante può provocare lesioni personali.
- **Tenere i detriti lontano dalle prese d'aria di raffreddamento.** L'ostruzione delle prese d'aria e la presenza di detriti possono provocare surriscaldamento o rischio di incendio.
- **Durante l'utilizzo del tagliaerba, indossare sempre calzature antiscivolo e protettive. Non utilizzare il tagliaerba a piedi nudi o indossando sandali aperti.** Così facendo si riduce il rischio di lesioni ai piedi dovute al contatto con la lama in movimento.
- **Durante l'uso del tagliaerba, indossare sempre pantaloni lunghi.** La pelle esposta aumenta la probabilità di lesioni causate da oggetti proiettati.
- **Non utilizzare il tagliaerba sull'erba bagnata. Procedere adagio, non correre.** Così facendo si riduce il rischio di scivolamento e caduta con conseguenti lesioni personali.
- **Non utilizzare il tagliaerba su pendenze eccessive.** Così facendo si riduce il rischio di perdita di controllo, scivolamento e caduta con conseguenti lesioni personali.
- **Quando si lavora su pendenze, assicurarsi sempre di avere una posizione stabile, lavorare sempre trasversalmente lungo le pendenze, mai guardando a monte o a valle e prestare la massima attenzione quando durante i cambi di direzione.** Così facendo si riduce il rischio di perdita di controllo, scivolamento e caduta con conseguenti lesioni personali.
- **Prestare la massima attenzione durante la retromarcia o quando si tira il tagliaerba verso di sé. Prestare sempre attenzione all'ambiente circostante.** In questo modo si riduce il rischio di inciampare durante il funzionamento.
- **Tenere le lame di taglio a debita distanza dal cavo di alimentazione.** Un cavo di alimentazione danneggiato può provocare scosse elettriche, incendi e/o lesioni gravi.
- **Se il cavo è attorcigliato o danneggiato, spegnere e scollegare la spina dall'alimentazione.** Cavi danneggiati o usurati possono aumentare il rischio di scosse elettriche.
- **Non toccare le lame e altre parti in movimento pericolose mentre sono ancora in movimento.** In questo modo si riduce il rischio di lesioni dovute alle parti in movimento.
- **Durante la rimozione del materiale inceppato o la pulizia del tagliaerba, assicurarsi che tutti gli interruttori di corrente siano spenti e che il cavo di alimentazione sia scollegato.** L'azionamento imprevisto del tagliaerba può causare gravi lesioni personali.

## Interruttore differenziale

- Utilizzare un interruttore differenziale con una corrente di intervento massima di 30 mA.

## Istruzioni di sicurezza generali



**AVVERTENZA:** Leggere le seguenti avvertenze prima di utilizzare il prodotto.

- Questo prodotto è pericoloso se utilizzato in maniera impropria o se non si presta attenzione. La mancata osservanza delle istruzioni di sicurezza può causare lesioni anche fatali.
- Durante il funzionamento, questo prodotto genera un campo elettromagnetico. Tale campo può interferire, in alcuni casi, con persone portatrici di impianti medici attivi o passivi. Per ridurre il rischio di condizioni che possono implicare lesioni gravi o mortali, i portatori di tali impianti devono consultare il proprio medico e il produttore dell'impianto prima di utilizzare questo prodotto.
- Usare la massima cautela e il buon senso. Se non si è sicuri di come utilizzare il prodotto in una particolare situazione, fermarsi e rivolgersi al proprio rivenditore Husqvarna prima di continuare.
- Tenere presente che l'operatore potrà essere ritenuto responsabile di eventuali incidenti che coinvolgono altre persone o i loro beni.
- Tenere pulito il prodotto. Assicurarsi che sia possibile leggere chiaramente simboli e decalcomanie.
- Non consentire mai l'uso dell'apparecchio a bambini o persone che non conoscono le presenti istruzioni. Alcune normative locali possono limitare l'età dell'operatore.
- Controllare sempre qualsiasi persona, dalle capacità fisiche o mentali ridotte, che utilizzi il prodotto. È necessaria sempre la supervisione di un adulto responsabile.
- Non utilizzare il prodotto quando si è stanchi, ammalati o sotto effetto di alcool, farmaci o medicinali. Essi potrebbero compromettere la vista, l'attenzione, il coordinamento e il giudizio.
- Se difettoso, non utilizzare il prodotto.
- Non modificare il prodotto né utilizzarlo nel caso in cui vi sia la possibilità che sia stato modificato da altri.

## Sicurezza sul lavoro



**AVVERTENZA:** Leggere le seguenti avvertenze prima di utilizzare il prodotto.

- Utilizzare il prodotto esclusivamente per tagliare il prato. Non è consentito utilizzare il prodotto per altri scopi.

- Usare sempre abbigliamento protettivo personale. Fare riferimento a *Dispositivi di protezione individuale alla pagina 315*.
- Assicurarsi di saper spegnere il motore rapidamente in caso di emergenza.
- Non utilizzare il prodotto con pioggia o umidità. Il rischio di scosse elettriche aumenta se l'acqua penetra nel prodotto.
- Non azionare il prodotto senza prima aver montato correttamente la lama e tutti i coperchi. Una lama non correttamente fissata potrebbe allentarsi e causare lesioni personali.
- Assicurarsi che la lama non urti oggetti quali pietre e radici. Ciò potrebbe provocare danni alla lama e piegare l'albero motore. Un asse piegato provoca forti vibrazioni e un alto rischio di allentamento della lama.
- Qualora la lama urti contro un oggetto o all'insorgere di vibrazioni arrestare immediatamente il prodotto. Arrestare il motore, ruotare la chiave di sicurezza su 0 e rimuovere la batteria. Attendere l'arresto delle parti mobili. Verificare la presenza di eventuali danni al prodotto. Serrare le parti allentate. Riparare e sostituire le parti danneggiate. Affidare la riparazione a una officina autorizzata.
- Non fissare l'impugnatura del freno motore in modo permanente al manubrio quando il motore è avviato.
- Posizionare il prodotto su una superficie piana e stabile e avviarlo. Assicurarsi che la lama non venga a contatto con il terreno o con altri oggetti.
- Collocarsi sempre posteriormente al prodotto quando lo si utilizza.
- Consentire a tutte le ruote di restare a contatto con il suolo e tenere le 2 mani sull'impugnatura mentre si aziona il prodotto. Tenere mani e piedi lontani dalle lame rotanti.
- Non inclinare il prodotto quando si avvia il motore o durante il funzionamento del prodotto.
- Prestare attenzione quando si tira il prodotto verso di sé.
- Non sollevare mai il prodotto a motore avviato. Se è necessario sollevare il prodotto, arrestare prima di tutto il motore, poi ruotare la chiave di sicurezza su 0 e rimuovere la batteria.
- Non camminare all'indietro quando si utilizza il prodotto.
- Arrestare il motore quando è necessario inclinare il prodotto per il trasporto o prima di spostarsi su aree senza erba, ad esempio percorsi di ghiaia, pietra e asfalto.
- Non correre con il prodotto quando il motore è acceso. Camminare sempre durante l'utilizzo del prodotto.
- Arrestare il motore prima di apportare qualsiasi modifica all'altezza di taglio. Non effettuare mai regolazioni quando il motore è acceso.
- Non perdere mai di vista il prodotto quando il motore è acceso. Arrestare il motore e assicurarsi che l'attrezzatura di taglio non giri.
- Le vibrazioni nel prodotto durante il funzionamento possono essere diverse dal valore delle vibrazioni dichiarato in *Dati tecnici alla pagina 330*. La differenza è causata da variazioni del modo in cui viene utilizzato il prodotto. Se utilizzate il prodotto frequentemente o per lunghi periodi di tempo, fate regolarmente delle pause per evitare lesioni dovute alle vibrazioni.

## Istruzioni di sicurezza per il funzionamento

### Dispositivi di protezione individuale



**AVVERTENZA:** Leggere le seguenti avvertenze prima di utilizzare il prodotto.

- L'uso di abbigliamento protettivo personale non elimina il rischio di lesioni, ma ne riduce la gravità in caso di incidente. Farsi consigliare dal rivenditore per la scelta dell'attrezzatura adatta.
- Utilizzare robusti stivali o scarpe antiscivolo. Non utilizzare il prodotto con calzature aperte o a piedi nudi.
- Utilizzare pantaloni lunghi di tessuto pesante.
- Indossare guanti protettivi ove necessario, ad esempio per montare, ispezionare o pulire l'attrezzatura di taglio.
- Si consiglia di utilizzare cuffie protettive.

### Dispositivi di sicurezza sul prodotto



**AVVERTENZA:** Leggere le seguenti avvertenze prima di utilizzare il prodotto.

- Non utilizzare un prodotto con dispositivi di sicurezza difettosi.
- Non rimuovere o apportare modifiche ai dispositivi di sicurezza.
- Effettuare regolarmente un controllo dei dispositivi di sicurezza. Se i dispositivi di sicurezza sono difettosi, rivolgersi alla propria officina Husqvarna.

### Controllo del coperchio di taglio

Il coperchio di taglio riduce le vibrazioni del prodotto e il rischio di ferirsi con la lama.

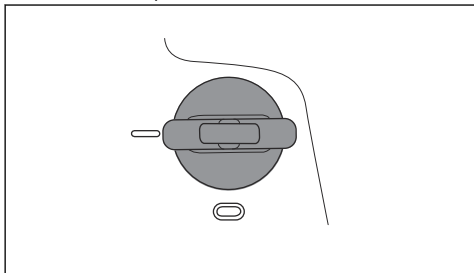
- Esaminare il coperchio di taglio per accertarsi che non presenti danni quali crepe.

### Controllo della chiave di sicurezza

La chiave di sicurezza si trova sotto il coperchio della batteria. La chiave di sicurezza si collega alla batteria che alimenta il motore.

- Avviare e arrestare il motore per effettuare un controllo della chiave di sicurezza.

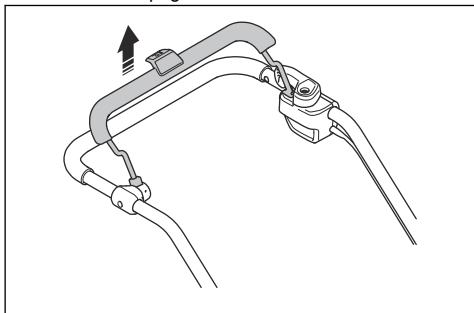
- Se la chiave di sicurezza funziona correttamente, il motore può avviarsi solo quando la chiave di sicurezza è in posizione 1.



### Effettuare un controllo dell'impugnatura del freno motore

L'impugnatura del freno motore arresta il motore. Quando si rilascia l'impugnatura del freno motore, il motore si arresta.

- Avviare il prodotto. Fare riferimento a *Utilizzo alla pagina 319*.
- Rilasciare l'impugnatura del freno motore.



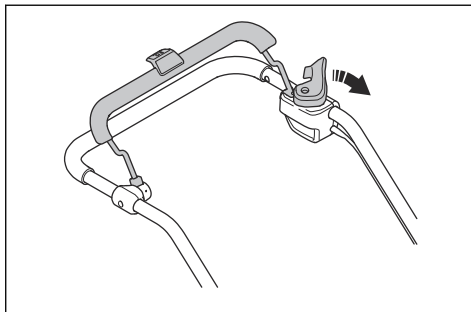
- Accertarsi che il prodotto si arresti. Se il motore non si arresta entro 3 secondi, far regolare il freno motore presso un'officina Husqvarna autorizzata.

### Effettuare un controllo dell'inibitore di avviamento

Effettuare un controllo dell'inibitore di avviamento per accertarsi che impedisca il funzionamento del motore.

1. Spingere l'impugnatura del freno motore in direzione del manubrio. L'inibitore di avviamento arresta il movimento.

2. Tirare fuori l'inibitore di avviamento.



3. Rilasciare l'inibitore di avviamento e accertarsi che ritorni nella sua posizione iniziale.

### Sicurezza batterie



**AVVERTENZA:** Leggere le seguenti avvertenze prima di utilizzare il prodotto.

- Utilizzare le batterie ricaricabili Husqvarna come alimentazione per i soli prodotti Husqvarna in questione. Per evitare il rischio di lesioni, non utilizzare la batteria come fonte di alimentazione per altri dispositivi.
- Non utilizzare batterie non ricaricabili.
- Rischio di scosse elettriche. Non collegare i morsetti della batteria a chiavi, monete, viti o altro tipo di metallo. Ciò può causare un corto circuito della batteria.
- Non inserire oggetti nelle feritoie di aerazione della batteria.
- Tenere la batteria lontano dalla luce del sole, dal calore o da fiamme libere. La batteria può esplodere e causare bruciate e/o ustioni chimiche.
- Tenere la batteria lontano da pioggia e umidità.
- Tenere la batteria lontano da microonde e alta pressione.
- Non tentare di smontare o rompere la batteria.
- In caso di perdite dalla batteria, non lasciare che il liquido entri in contatto con il corpo o con gli occhi. In caso di contatto con il liquido, pulire l'area con grandi quantità di acqua e consultare un medico.
- Utilizzare la batteria nel prodotto esclusivamente quando la temperatura ambiente è compresa tra 5 °C e 40 °C.
- Utilizzare il caricabatterie esclusivamente quando la temperatura ambiente è compresa tra 5 °C e 40 °C.
- La batteria non si carica se la sua temperatura è superiore a 50 °C.
- Non pulire la batteria o il caricabatterie con acqua. Fare riferimento a *Per pulire la batteria e il caricabatterie alla pagina 326*.
- Non utilizzare una batteria difettosa o danneggiata.



- Conservare le batterie lontano da oggetti metallici, come ad esempio chiodi, monete, gioielli.

## Sicurezza del caricabatterie



**AVVERTENZA:** Leggere le seguenti avvertenze prima di utilizzare il prodotto.

- Utilizzare i caricabatterie QC per caricare esclusivamente le batterie di ricambio Husqvarna.
- Rischio di scosse elettriche o cortocircuiti. Non inserire oggetti nelle feritoie di aerazione del caricabatterie. Non tentare di smontare il caricabatterie. Non collegare i terminali del caricabatterie a oggetti metallici. Utilizzare una presa di rete omologata.
- Durante il funzionamento, questo prodotto genera un campo elettromagnetico. Tale campo può interferire, in alcuni casi, con persone portatrici di impianti medici attivi o passivi. Per ridurre il rischio di condizioni che possono implicare lesioni personali gravi o mortali, i portatori di tali impianti devono consultare il proprio medico e il produttore dell'impianto prima di utilizzare questo prodotto.
- Verificare regolarmente che il cavo di alimentazione del caricabatterie non sia danneggiato e che non vi siano crepe.
- Non sollevare il caricabatterie tramite il cavo di alimentazione. Per scollegare il caricabatterie da una presa di rete, tirare la spina. Non tirare il cavo di alimentazione.
- Tenere il cavo di alimentazione e le prolunghe lontani da acqua, olio e bordi appuntiti. Fare attenzione affinché il cavo non si incastri in porte, ostacoli o simili. Questo potrebbe causare scosse elettriche al contatto con il caricabatterie.
- Non pulire il caricabatterie con acqua.
- Il caricabatterie può essere utilizzato da bambini a partire da 8 anni di età e da parte di persone con ridotte capacità fisiche, sensoriali o mentali, oppure con mancanza di esperienza e conoscenza, se vengono controllati o ricevono istruzioni sull'utilizzo sicuro del caricabatterie e se comprendono i rischi. I bambini non devono giocare con il caricabatterie. La pulizia e la manutenzione non devono essere eseguite da bambini senza la supervisione di adulti.
- Non caricare batterie non ricaricabili nel caricabatterie.
- Non utilizzare il caricabatterie in prossimità di materiali infiammabili o materiali corrosivi. Non

coprire il caricabatterie. Staccare la spina del caricabatterie in caso di fumo o incendio.

- Non utilizzare un caricabatterie difettoso o danneggiato.
- Caricare la batteria solo in luoghi chiusi, in una stanza con un buon flusso d'aria e lontano dalla luce del sole. Non caricare la batteria in condizioni di umidità.

## Istruzioni di sicurezza per la manutenzione



**AVVERTENZA:** Leggere le seguenti avvertenze prima di utilizzare il prodotto.

- Per evitare l'avviamento accidentale durante la manutenzione, ruotare la chiave di sicurezza su 0 e rimuovere la batteria. Attendere almeno 5 secondi prima di iniziare la manutenzione.
- Eseguire esclusivamente gli interventi di manutenzione riportati nel presente manuale operatore. Per operazioni più complesse e riparazioni professionali, rivolgersi a una officina autorizzata. Per ulteriori informazioni, rivolgersi all'officina più vicina.
- Eseguire gli interventi di manutenzione correttamente in modo da aumentare la durata di vita del prodotto e ridurre il rischio di incidenti.
- Sostituire le parti danneggiate, usurate o rotte. Utilizzare sempre parti di ricambio originali raccomandati dal produttore. Altri pezzi di ricambio possono danneggiare il prodotto e aumentare il rischio di incidenti.
- Per evitare lesioni, non rimuovere o apportare modifiche ai dispositivi di sicurezza.
- Indossare guanti per lavori pesanti quando si utilizza l'attrezzatura di taglio. La lama è molto affilata e ci si può ferire facilmente.
- Mantenere i bordi taglienti affilati e puliti per prestazioni più sicure e ottimali
- Far esaminare regolarmente il prodotto da un'officina per messe a punto e riparazioni necessarie.
- Rispettare le istruzioni per la sostituzione degli accessori. Utilizzare solo accessori del produttore.
- Quando non in uso, tenere il prodotto, la batteria e il caricabatterie lontano in un luogo all'interno, chiuso a chiave e asciutto. Assicurarsi che i bambini e le persone non autorizzate non abbiano accesso al prodotto, alla batteria o al caricabatterie.

## Montaggio

### Introduzione



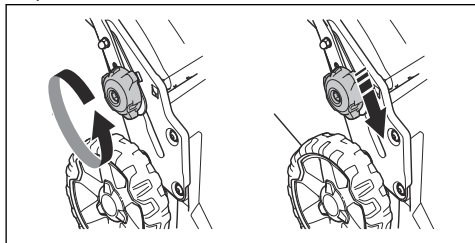
**AVVERTENZA:** Prima di montare il prodotto, leggere il capitolo sulla sicurezza.



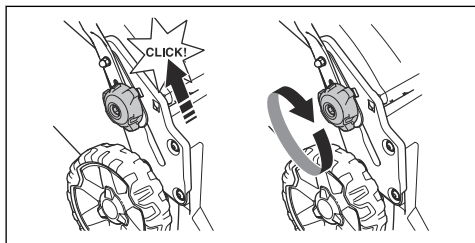
**AVVERTENZA:** Per evitare l'avviamento accidentale durante il montaggio, ruotare la chiave di sicurezza su 0, rimuovere la batteria e attendere almeno 5 secondi.

## Regolazione dell'impugnatura

1. Allentare le manopole inferiori.
2. Spostare le manopole verso l'estremità inferiore delle scanalature dei lati sinistro e destro del prodotto.



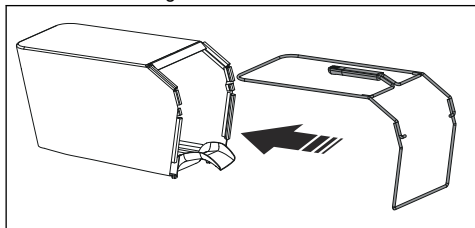
3. Impostare l'altezza dell'impugnatura su una delle 2 posizioni disponibili.
4. Spostare le manopole verso l'alto in direzione dell'impugnatura fino a quando un clic ne segnala l'arresto.



5. Stringere completamente le manopole.

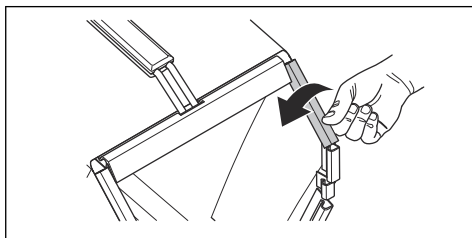
## Per assemblare il raccoglierba

1. Fissare il telaio del raccoglierba al relativo sacco con la parte rigida di quest'ultimo posta in basso. Mantenere l'impugnatura del telaio dalla parte alta del sacco raccoglierba.

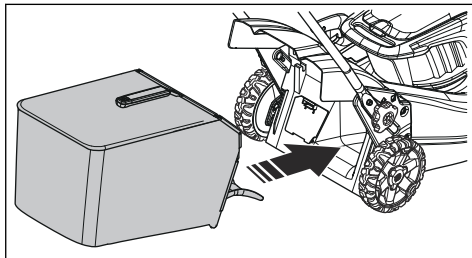


2. Fissare la parte inferiore del telaio del raccoglierba nella scanalatura in basso del raccoglierba.

3. Fissare il sacco sul telaio del raccoglierba utilizzando i fermi.

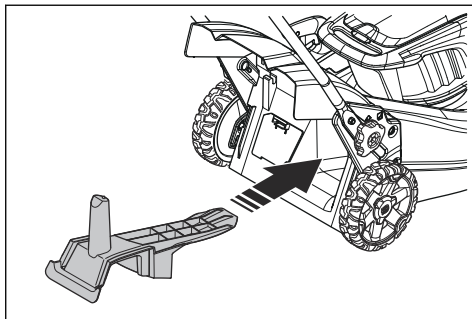


4. Sollevare il coperchio posteriore.
5. Fissare il raccoglierba al bordo superiore del telaio.
6. Inserire la parte inferiore del raccoglierba nel canale di scarico dell'erba.



## Per montare la spina di pacciamatura (accessori)

1. Sollevare il coperchio posteriore e rimuovere il raccoglierba.
2. Inserire la spina di pacciamatura nel canale di scarico.



3. Sostituire la lama con la lama di pacciamatura fornita nel kit di pacciamatura. Consultare *Per sostituire la lama alla pagina 326*.

## Introduzione



**AVVERTENZA:** Prima di utilizzare il prodotto, è necessario leggere e comprendere il capitolo relativo alla sicurezza.

## Husqvarna Connect

Husqvarna Connect è un'app gratuita per i dispositivi mobili. L'app Husqvarna Connect fornisce funzioni estese per il prodotto Husqvarna:

- Informazioni aggiuntive sul prodotto.
- Dettagli, guida, parti del prodotto e manutenzione.

## Primo utilizzo di Husqvarna Connect

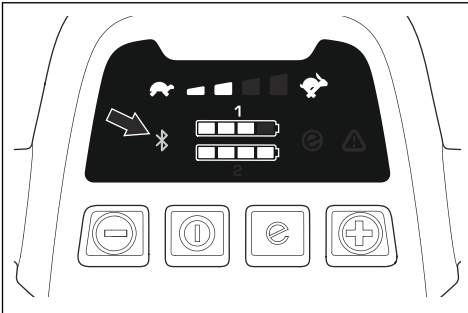
1. Scaricare l'app Husqvarna Connect sul proprio dispositivo mobile.
2. Registrarsi nell'app Husqvarna Connect.
3. Seguire le istruzioni dell'app Husqvarna Connect per collegare e registrare il prodotto.

**Nota:** L'app Husqvarna Connect non è disponibile per il download in tutti i mercati. Rivolgersi al centro di assistenza per maggiori informazioni.

## Informazioni Bluetooth® LC 347iVX, LC 353iVX

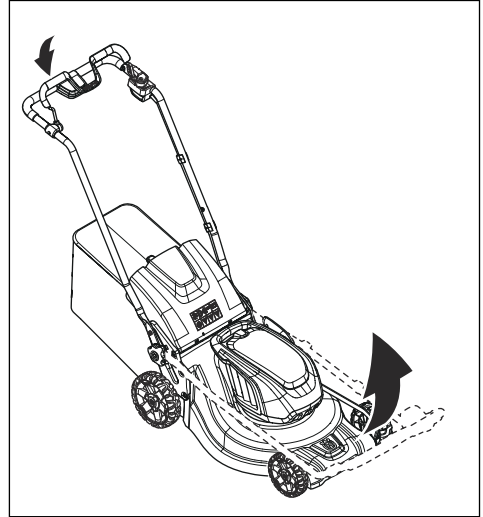
### Tecnologia wireless Bluetooth®

Il simbolo per la tecnologia wireless *Bluetooth*® si accende quando il dispositivo mobile è collegato al prodotto.

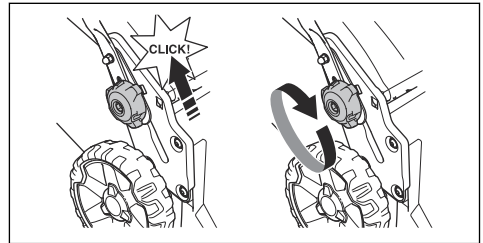


## Per fissare il prodotto in posizione di funzionamento

1. Ripiegare l'impugnatura in posizione eretta.



2. Spostare le manopole verso l'alto in direzione dell'impugnatura fino a quando un clic ne segnala l'arresto.



3. Stringere completamente le manopole.



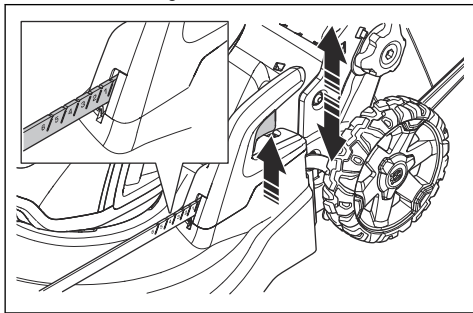
**AVVERTENZA:** Non azionare il prodotto a meno che l'impugnatura non sia completamente ripiegata e impostata in una delle posizioni di altezza applicabili. Fare riferimento a *Regolazione dell'impugnatura* alla pagina 318.

## Per impostare l'altezza di taglio

L'altezza di taglio può essere regolata su 6 diversi livelli.

1. Per diminuire l'altezza di taglio, spingere la leva dell'altezza di taglio verso il basso.

2. Per aumentare l'altezza di taglio, spingere la leva dell'altezza di taglio verso l'alto.



**ATTENZIONE:** Non impostare l'altezza di taglio troppo in basso. Se la superficie del prato non è piana, le lame possono urtare il terreno.

## Batteria



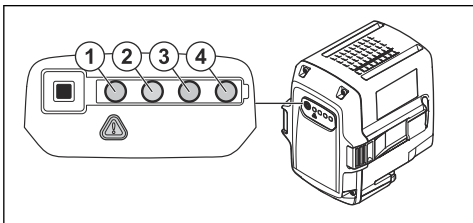
**AVVERTENZA:** Prima di utilizzare la batteria, leggere e comprendere il capitolo sulla sicurezza. È inoltre importante leggere e comprendere il manuale operatore della batteria e del caricabatterie.

Mantenere la batteria e il caricabatteria a una temperatura ambiente adeguata.

	Temperatura ambiente
Funzionamento della batteria	5 °C - 40 °C
Caricamento della batteria	5 °C - 40 °C

## Stato della batteria

Il display mostra la capacità residua della batteria e se sussistono problemi con la batteria stessa. La capacità della batteria viene visualizzata per 5 secondi dopo lo spegnimento del prodotto o dopo aver premuto il pulsante di indicatore di batteria. Il simbolo d'avvertenza sulla batteria si accende quando si verifica un errore. Vedere *Batteria* alla pagina 327.



Spie LED	Stato della batteria
Tutti i LED accesi	Completamente carica (75-100%)
LED 1, LED 2, LED 3 accesi	La batteria è carica al 50%-75%
LED 1, LED 2 accesi	La batteria è carica al 25%-50%
LED 1 acceso.	La batteria è carica allo 0%-25%.
LED 1 lampeggia.	La batteria è scarica. Caricare la batteria.

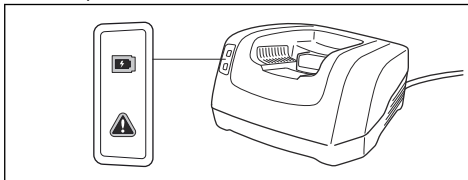
## Per caricare la batteria

Caricare la batteria prima del primo utilizzo. Quando viene fornita al cliente, la batteria è carica solo al 30%.

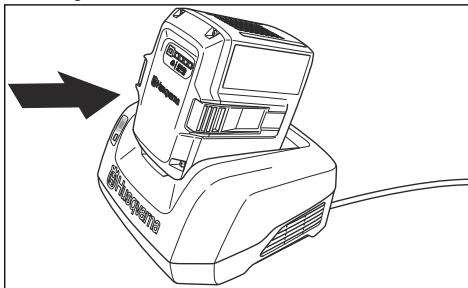
**Nota:** Il caricabatterie deve essere collegato alla rete elettrica e alla frequenza indicate sulla targhetta dati di funzionamento.

La batteria non si ricarica se la sua temperatura è superiore a 50°C. Il caricabatteria riduce la temperatura della batteria prima di iniziare la ricarica.

1. Collegare un'estremità del cavo di alimentazione del caricabatteria alla presa del caricabatteria.
2. Collegare l'altra estremità del cavo di alimentazione del caricabatteria ad una presa di corrente con messa a terra. Il LED sul caricabatteria lampeggia verde per una volta.



3. Inserire la batteria nel caricabatteria. La luce verde sul caricabatteria si accende quando la batteria è collegata correttamente al caricabatteria.



- Quando tutti i LED sulla batteria sono accesi, la batteria è completamente carica. Caricare la batteria per massimo 24 ore.
- Per scollegare il caricabatterie dalla presa di rete, estrarre la spina e non il cavo di alimentazione.
- Rimuovere la batteria dal caricabatterie.

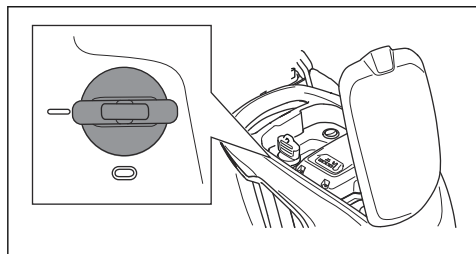
### Stato di ricarica della batteria

È possibile utilizzare o caricare una batteria agli ioni di litio Husqvarna a tutti i livelli di carica. La batteria non viene danneggiata. Una batteria completamente carica non diminuisce la carica se lasciata nel caricabatterie.

Display a LED	Livello di carica
LED 1 lampeggia.	0%-25%
LED 1 acceso, LED 2 lampeggia.	25%-50%
LED 1, LED 2 accesi, LED 3 lampeggia.	50%-75%
LED 1, LED 2, LED 3 accesi, LED 4 lampeggia.	75%-100%
LED 1, LED 2, LED 3, LED 4 accesi	Completamente carica

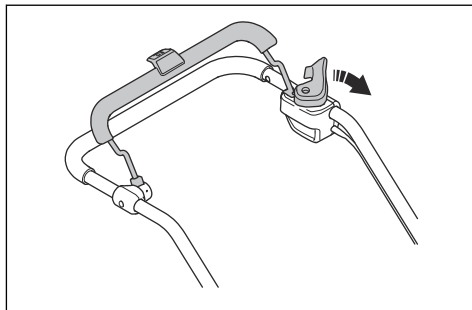
### Avviamento del prodotto (LC 247i)

- Aprire il coperchio della batteria.
- Inserire una batteria carica in 1 dei vani batteria. Per tempi di funzionamento più lunghi, mettere una seconda batteria carica nell'altro vano batteria.
- Ruotare la chiave di sicurezza su 1.

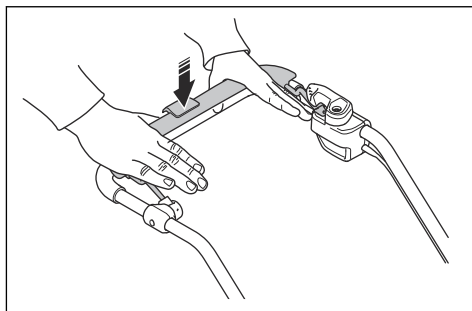


- Collocarsi dietro il prodotto.

- Allentare l'inibitore dell'avviamento.

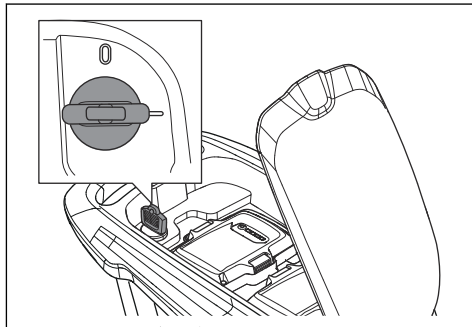


- Spingere l'impugnatura del freno motore in direzione del manubrio.



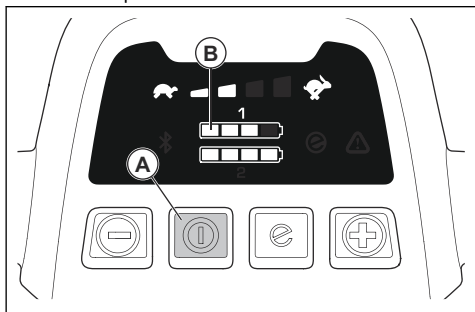
### Avviamento del prodotto (LC 347iVX, LC 353iVX)

- Aprire il coperchio della batteria.
- Inserire una batteria carica in 1 dei vani batteria. Per tempi di funzionamento più lunghi, mettere una seconda batteria carica nell'altro vano batteria.
- Ruotare la chiave di sicurezza su 1.

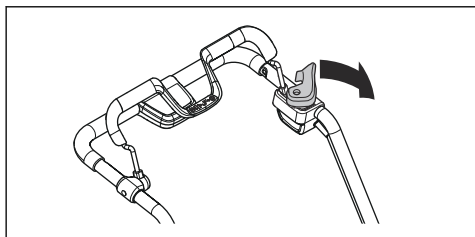


- Collocarsi dietro il prodotto.

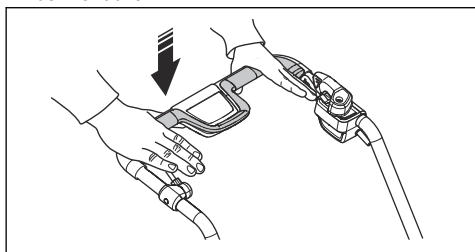
5. Premere il pulsante ON/OFF (A) sul pannello di comando. Il display si accende. L'indicatore della batteria (B) indica il livello di carica delle 2 batterie. Il numero della batteria in funzione è indicato adiacente all'indicatore della batteria. Per i modelli LC 347iVX, LC 353iVX, il display indica anche la velocità impostata.



6. Allentare l'inibitore dell'avviamento.

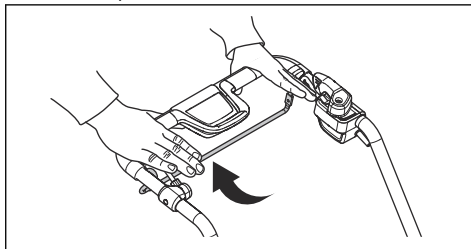


7. Spingere l'impugnatura del freno motore in direzione del manubrio.

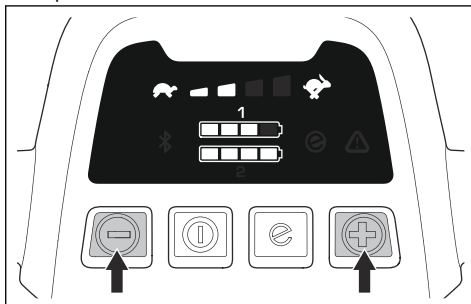


## Per applicare trazione alle ruote LC 347iVX, LC 353iVX

- Tirare l'impugnatura di comando nella direzione del manubrio per avviare la trazione.



- Premere + e - sul pannello di comando per impostare la velocità di trazione in 4 fasi.

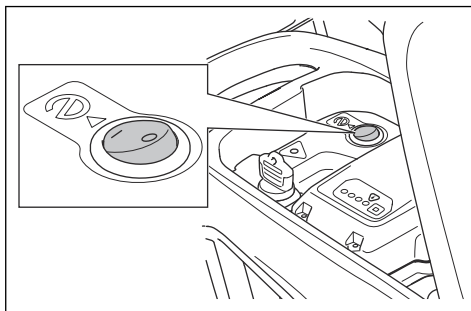


- Rilasciare l'impugnatura di comando per disinnestare la trazione, ad esempio quando ci si avvicina a un ostacolo.

## Utilizzo della funzione SaveE™ (LC 247i)

Il prodotto dispone di una funzione di risparmio batteria (SaveE™) che permette tempi di funzionamento più lunghi.

- Premere il pulsante SaveE™ in posizione 1 per avviare la funzione.



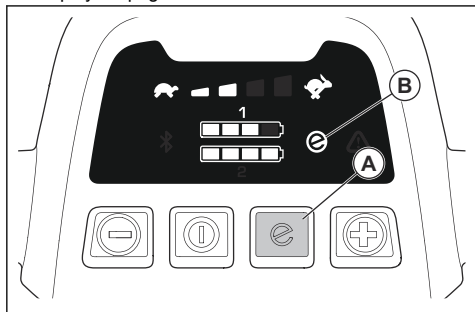
- Premere il pulsante SaveE™ in posizione 0 per arrestare la funzione.

**Nota:** La funzione SavE™ si arresta automaticamente se le condizioni del terreno rendono necessaria una resa superiore. La funzione SavE™ si riavvia automaticamente quando le condizioni del terreno lo consentono.

## Utilizzo della funzione SavE™ (LC 347iVX, LC 353iVX)

Il prodotto dispone di una funzione di risparmio batteria (SavE™) che permette tempi di funzionamento più lunghi.

1. Premere il pulsante SavE™ (A) per avviare il la funzione. Il simbolo SavE™ (B) sul display si accende.
2. Premere nuovamente il pulsante SavE™ per interrompere la funzione. Il simbolo SavE™ (B) sul display si spegne.



**Nota:** La funzione SavE™ si arresta automaticamente se le condizioni del terreno rendono necessaria una resa superiore. La funzione SavE™ si riavvia automaticamente quando le condizioni del terreno lo consentono.

## Funzione carico elevato

Quando il prodotto taglia erba lunga o umida, il motore aumenta automaticamente i giri/min. Il motore torna alla modalità standard quando il carico elevato non è necessario.

## Riavvio automatico

Durante il funzionamento, la lama e il motore possono arrestarsi temporaneamente a causa di ostacoli come ad esempio l'ostruzione dell'erba sotto il coperchio di taglio. Se ciò si verifica e si tiene premuta la maniglia del freno motore, il prodotto tenta di riavviarsi automaticamente. Se il prodotto non si riavvia entro 5 secondi, può essere necessario fare pulizia sotto il coperchio. Fare riferimento a *Per pulire il prodotto alla pagina 326*.



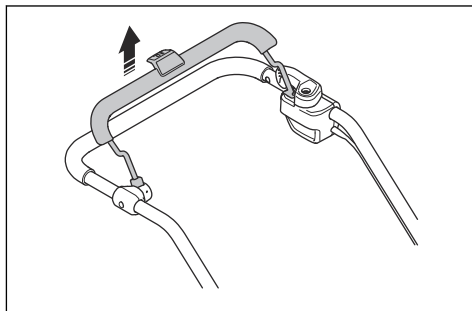
**AVVERTENZA:** Prima di controllare il coperchio di taglio, rilasciare la maniglia del freno motore, ruotare la chiave di sicurezza su 0, rimuovere la batteria e attendere almeno 5 secondi. Se l'ostacolo viene rimosso e il prodotto si avvia accidentalmente, sussiste il rischio di lesioni.

## Arresto del prodotto (LC 247i)

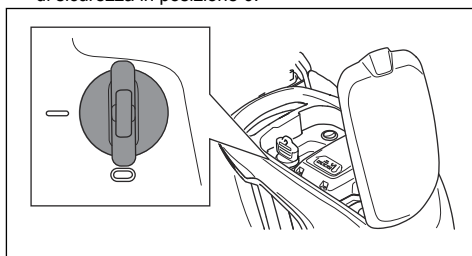


**AVVERTENZA:** Ruotare la chiave di sicurezza in posizione 0 prima di lasciare incustodito il prodotto.

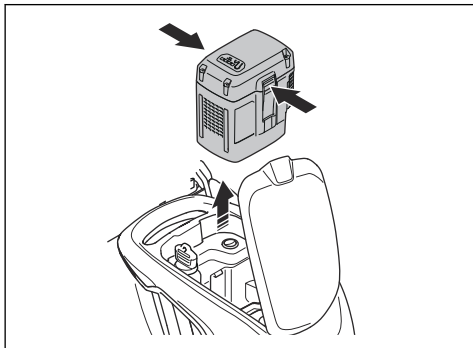
1. Rilasciare l'impugnatura del freno motore per arrestare il motore.



2. Aprire il coperchio della batteria e ruotare la chiave di sicurezza in posizione 0.



3. Per rimuovere la batteria, premere i 2 pulsanti di rilascio ed estrarre la batteria.



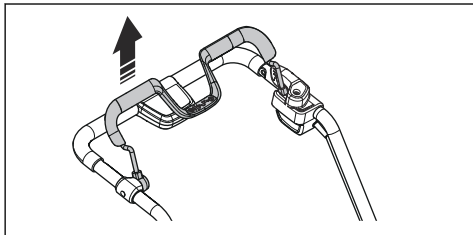
4. Caricare la batteria se è debole. Per ulteriori informazioni, fare riferimento a *Per caricare la batteria alla pagina 320*.

## Arresto del prodotto (LC 347iVX, LC 353iVX)

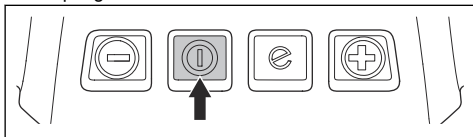


**AVVERTENZA:** Ruotare la chiave di sicurezza in posizione 0 prima di lasciare incustodito il prodotto.

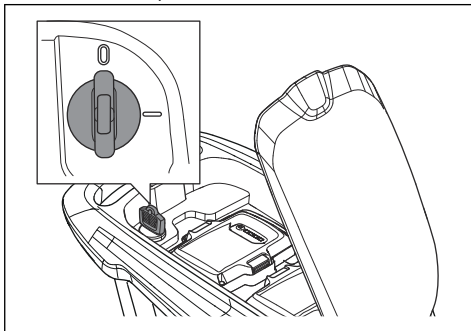
1. Rilasciare l'impugnatura del freno motore per arrestare il motore.



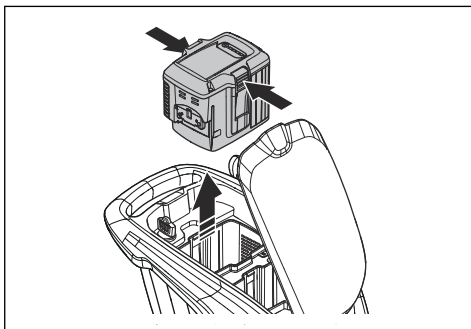
2. Premere il pulsante ON/OFF sul pannello di comando. Tutte le spie LED e i simboli sul display si spengono.



3. Aprire il coperchio della batteria e ruotare la chiave di sicurezza in posizione 0.



4. Per rimuovere la batteria, premere i 2 pulsanti di rilascio ed estrarre la batteria.



5. Caricare la batteria se è debole. Per ulteriori informazioni, fare riferimento a *Per caricare la batteria alla pagina 320*.

**Nota:** Il prodotto si arresta disattiva se rimane non utilizzato per alcuni minuti. Per accendere il prodotto, fare riferimento a *Avviamento del prodotto (LC 347iVX, LC 353iVX) alla pagina 321*.

## Per ottenere un buon risultato

- Utilizzare sempre una lama ben affilata. Una lama non tagliente fornisce un risultato irregolare e la superficie di taglio dell'erba ingiallisce. Una lama affilata inoltre consuma minore energia di una lama affilata.
- Non tagliare più di  $\frac{1}{3}$  dell'altezza dell'erba. Iniziare l'operazione di taglio impostando l'altezza di taglio su un livello alto. Esaminare il risultato e ridurre l'altezza di taglio al livello applicabile. Se l'erba è molto alta, procedere lentamente e tagliarla 2 volte, se necessario.
- Tagliare sempre in direzioni diverse per evitare il formarsi di strisce sul prato.



- Mantenere pulito il coperchio di taglio. L'accumulo di erba e sporcizia sul lato interno del coperchio di taglio può ridurre il risultato del taglio. Fare riferimento a *Per pulire il prodotto alla pagina 326*.

## Per tagliare l'erba senza un raccogliherba o una spina di pacciamatura collegata

- Sollevare il coperchio posteriore e rimuovere il raccogliherba.

- Se sono collegate una spina e una lama di pacciamatura, rimuoverle.
- Chiudere il coperchio posteriore prima di azionare il prodotto.

Durante l'utilizzo del prodotto, l'erba tagliata si scarica sotto il coperchio posteriore.

---

## Manutenzione

---

### Introduzione



**AVVERTENZA:** Prima di svolgere la manutenzione, leggere e comprendere il capitolo relativo alla sicurezza.

Per tutti gli interventi di assistenza e riparazione sul prodotto, è necessaria una formazione specifica. La nostra azienda garantisce la disponibilità di personale qualificato per le riparazioni e l'assistenza. Se non avete acquistato il prodotto presso un rivenditore dotato di officina, informatevi sull'ubicazione della più vicina officina autorizzata.

Per ulteriori informazioni dettagliate, fare riferimento a [www.husqvarna.com](http://www.husqvarna.com).

### Programma di manutenzione

Gli intervalli di manutenzione sono calcolati sulla base di un uso quotidiano del prodotto. Gli intervalli cambiano se il prodotto non viene usato quotidianamente.

Per gli interventi di manutenzione contrassegnati con il simbolo \*, vedere le istruzioni in *Sicurezza alla pagina 311*.

	A ciascun utilizzo	Una volta al mese	Ogni stagione
Svolgere un'ispezione generale	X		
Pulire il prodotto	X		
Eseguire un controllo dell'inibitore di avviamento *	X		
Accertarsi che i dispositivi di sicurezza del prodotto non siano difettosi *	X		
Controllare l'attrezzatura di taglio	X		
Controllare il coperchio di taglio *	X		
Controllare l'impugnatura del freno motore *	X		
Accertarsi che il pulsante ON/OFF funzioni correttamente e che non sia difettoso	X		
Controllare la presenza di eventuali danni alla batteria	X		
Effettuare un controllo dello stato di carica della batteria	X		
Accertarsi che i pulsanti di rilascio sulla batteria funzionino correttamente e che tengano la batteria bloccata sul prodotto.	X		
Controllare che il caricabatterie non sia danneggiato e che funzioni correttamente.		X	
Controllare i collegamenti tra la batteria e il prodotto. Controllare anche il collegamento tra la batteria e il caricabatterie.			X

## Per effettuare un'ispezione generale

- Controllare che tutti i dadi e le viti del prodotto siano ben serrati.
- Accertarsi che i cavi del prodotto non sono in una posizione in cui possono danneggiarsi.

## Per pulire il prodotto

- Pulire le parti in plastica con un panno pulito e asciutto.
- Non utilizzare acqua per pulire il prodotto. L'acqua può penetrare nella batteria o nel motore e causare un corto circuito o danni al prodotto.
- Non utilizzare una lancia ad alta pressione per pulire il prodotto.
- Non dirigere getti d'acqua sul motore.
- Utilizzare una spazzola per rimuovere foglie, erba e sporcizia.

## Per pulire la batteria e il caricabatterie



**AVVERTENZA:** Non pulire la batteria o il caricabatterie con acqua.

- Accertarsi che la batteria e il caricabatterie siano puliti e asciutti prima di inserire la batteria nel caricabatterie.
- Pulire i terminali della batteria con aria compressa o con un panno morbido e asciutto.
- Pulire le superfici della batteria e del caricabatterie con un panno morbido e asciutto.

## Per controllare l'attrezzatura di taglio



**AVVERTENZA:** Per evitare l'avviamento accidentale, ruotare la chiave di sicurezza su 0, rimuovere la batteria e attendere almeno 5 secondi.



**AVVERTENZA:** Indossare guanti protettivi quando si esegue la manutenzione dell'attrezzatura di taglio. La lama è molto affilata e ci si può ferire facilmente.

1. Controllare l'attrezzatura di taglio per individuare danni o crepe. Sostituire sempre l'attrezzatura di taglio danneggiata.
2. Osservare la lama per controllare che non sia danneggiata o usurata.

**Nota:** Dopo l'affilatura la lama deve essere bilanciata. Rivolgersi a un centro assistenza per l'affilatura, la sostituzione e il bilanciamento. Se si urta un ostacolo che provoca l'arresto del prodotto, sostituire la lama danneggiata. Il centro di assistenza può valutare se la lama può essere affilata o deve essere sostituita.

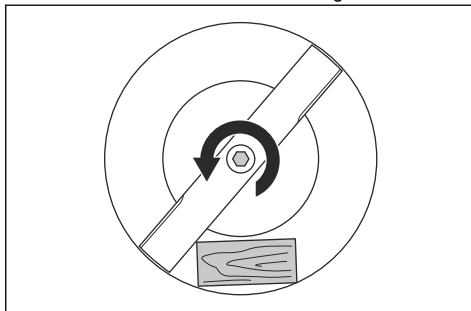
## Per sostituire la lama

Fare riferimento a *Dati tecnici alla pagina 330* per il tipo di lama corretto.

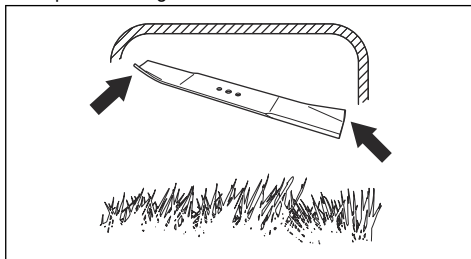


**AVVERTENZA:** Bloccare la lama con un blocco di legno per evitare lesioni alle dita durante la sostituzione della lama. La lama può essere spostata quando il motore è spento e le dita possono rimanere intrappolate tra la lama e le parti fisse.

1. Bloccare la lama con un blocco di legno.

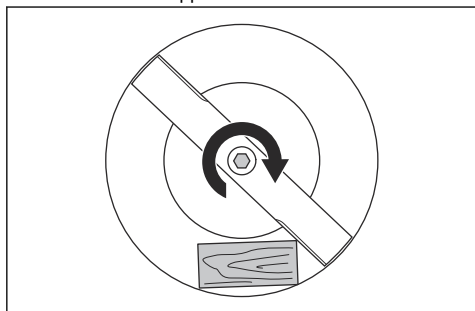


2. Rimuovere il bullone della lama.
3. Rimuovere la lama.
4. Esaminare il supporto e il bullone della lama per verificare la presenza di eventuali danni.
5. Esaminare l'albero motore per accertarsi che non sia piegato.
6. Quando si fissa la nuova lama, assicurarsi che le estremità inclinate della lama puntino in direzione del coperchio di taglio.



7. Assicurarsi che la lama sia allineata con il centro dell'albero motore.

8. Bloccare la lama con un blocco di legno. Inserire la rondella reggipinta, quindi serrare il bullone e la rondella a una coppia di 23-28 Nm.



9. Girare manualmente la lama per verificare che possa ruotare liberamente.



**AVVERTENZA:** Utilizzare dei guanti da lavoro spessi. La lama è molto affilata e ci si può ferire facilmente.

10. Avviare il prodotto per eseguire una prova della lama. Se la lama non è collegata correttamente, si verificano delle vibrazioni nel prodotto o il risultato del taglio è insoddisfacente.

## Ricerca guasti

### Batteria

LED della batteria	Causa	Soluzione
Il LED verde lampeggia.	La tensione della batteria è bassa.	Caricare la batteria. Fare riferimento a <i>Per caricare la batteria alla pagina 320</i> .
Il LED di errore lampeggia.	La batteria è scarica.	Caricare la batteria. Fare riferimento a <i>Per caricare la batteria alla pagina 320</i> .
	La temperatura nell'ambiente di lavoro è troppo alta o troppo bassa.	Utilizzare la batteria a una temperatura compresa tra 5 °C e 40 °C.
	Sovratensione.	Controllare che la tensione di rete corrisponda a quella indicata sull'etichetta del prodotto. Rimuovere la batteria dal caricabatterie. Attendere 5 secondi e riprovare a caricare la batteria. Se il problema persiste, contattare un'officina autorizzata.
Il LED di errore è acceso.	La differenza delle celle è eccessiva (1 V).	Contattare un'officina autorizzata.

### Caricabatteria

LED del caricabatterie	Causa	Soluzione
Il LED di errore lampeggia.	La temperatura nell'ambiente di lavoro è troppo alta o troppo bassa.	Utilizzare il caricabatteria a una temperatura compresa tra 5 °C e 40 °C.
Il LED di errore è acceso.		Contattare un'officina autorizzata.

## Rasaerba

La spia di avvertenza (LED di errore) si trova sotto il coperchio della batteria ((LC 247i)) oppure sul pannello di controllo ((LC 347iVX, LC 353iVX)).

Problema	LED di errore (numero di lampeggi)	Causa	Soluzione
Il LED di errore lampeggia. Il prodotto non funziona correttamente.	3	La lama è bloccata.	Portare la chiave di sicurezza su 0 per evitare l'avviamento accidentale. Rimuovere la batteria e attendere almeno 5 secondi. Rimuovere eventuali ostacoli e accertarsi che la lama possa ruotare liberamente. Se il problema persiste, contattare un'officina autorizzata.
	5	La velocità del motore diminuisce eccessivamente e il motore si arresta.	Aumentare l'altezza di taglio. Fare riferimento a <i>Per impostare l'altezza di taglio alla pagina 319.</i>
	6 <sup>49</sup>	Le ruote o la trasmissione sono bloccate.	Portare la chiave di sicurezza su 0 per evitare l'avviamento accidentale. Rimuovere la batteria e attendere almeno 5 secondi. Rimuovere eventuali ostacoli e accertarsi che le ruote possano girare liberamente. Se il problema persiste, contattare un'officina autorizzata.
	10	Il comando del motore è troppo caldo.	Arrestare il motore e attendere che si raffreddi.
Il LED di errore lampeggia. Il prodotto si arresta.	0	Guasto del connettore della batteria.	Esaminare il connettore della batteria.
	3	Vi è un sovraccarico nel motore.	Aumentare l'altezza di taglio. Fare riferimento a <i>Per impostare l'altezza di taglio alla pagina 319.</i>
	8	La batteria è scarica.	Caricare la batteria. Fare riferimento a <i>Per caricare la batteria alla pagina 320.</i>
	9	Errore batteria o nessun segnale dalla batteria.	Inserire correttamente la batteria nel prodotto e controllare il connettore della batteria. Se il LED di errore della batteria lampeggia. Fare riferimento a <i>Batteria alla pagina 327.</i>
	12	Procedura di avviamento non corretta. L'impugnatura del freno motore è stata innestata prima dell'avviamento del motore.	Rilasciare l'impugnatura del freno motore e attendere circa 5 secondi. Spingere nuovamente verso il basso l'impugnatura del freno motore per avviare il prodotto.
Altri errori.	Se si verificano altri errori, ruotare la chiave di sicurezza su 0, rimuovere la batteria e rivolgersi a un'officina autorizzata.		

<sup>49</sup> LC 347iVX, LC353iVX

# Trasporto, stoccaggio e smaltimento

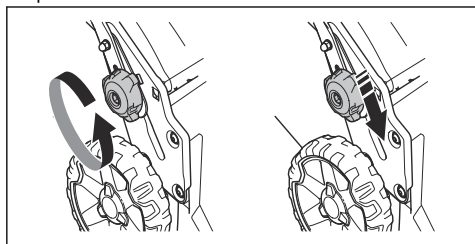
## Introduzione



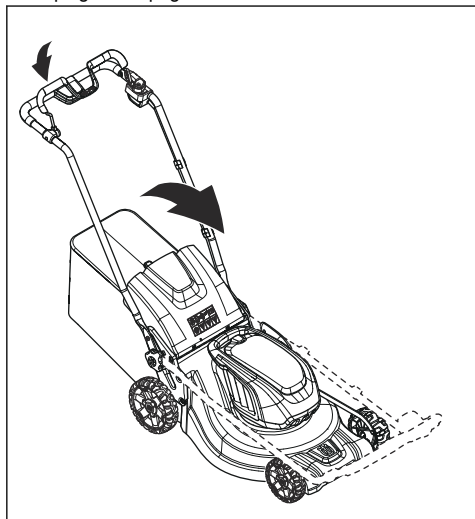
**AVVERTENZA:** Per evitare l'avviamento accidentale durante il trasporto, ruotare la chiave di sicurezza su 0, rimuovere la batteria e attendere almeno 5 secondi.

## Disposizione del prodotto in posizione di trasporto

1. Allentare le manopole inferiori.
2. Spostare le manopole verso l'estremità inferiore delle scanalature dei lati sinistro e destro del prodotto.



3. Ripiegare l'impugnatura in avanti.



4. Rimuovere il raccogliherba.

## Trasporto

- I requisiti di legge sulle merci pericolose si applicano alle batterie agli ioni di litio incluse.

- Rispettare i requisiti speciali riportati sulla confezione e sulle etichette per il trasporto commerciale.
- Durante la preparazione al trasporto del prodotto, attenersi alle normative relative ai materiali pericolosi. Possono essere in vigore alcune normative locali.
- Rimuovere sempre la batteria per il trasporto.
- Applicare del nastro sui connettori della batteria e assicurarsi che la batteria rimanga fissa in posizione durante il trasporto.
- Fissare il prodotto durante il trasporto.

## Rimessaggio

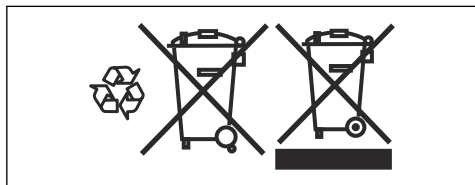
- Prima di riporre il prodotto, lasciarlo raffreddare.
- Rimuovere sempre la batteria per lo stoccaggio.
- Per evitare incidenti, assicurarsi che la batteria non sia collegata al prodotto una volta riposto.
- Conservare il caricabatterie in un ambiente chiuso e asciutto.
- Conservare la batteria e il caricabatterie in un luogo asciutto, privo di umidità e protetto dal gelo.
- Scollegare la batteria dal caricabatterie durante lo stoccaggio.
- Non conservare la batteria in aree elettricamente statiche. Non conservare mai la batteria in una scatola di metallo.
- Conservare il prodotto a una temperatura ambiente compresa tra -10 °C e 40 °C.
- Conservare la batteria a una temperatura ambiente compresa tra 5 °C e 25 °C e non esposta alla luce del sole.
- Conservare il caricabatterie a una temperatura ambiente compresa tra 5 °C e 45 °C e non esposto alla luce del sole.
- Accertarsi che la batteria sia carica al 30% - 50% prima di riporla per lunghi periodi.
- Conservare il prodotto, la batteria e il caricabatterie in un luogo chiuso a chiave, fuori dalla portata di bambini e di persone non autorizzate.
- Pulire il prodotto e assicurarsi che il raccogliherba sia vuoto.
- Eseguire gli interventi di manutenzione riportati nel presente manuale operatore. Fare riferimento a *Manutenzione alla pagina 325*.
- Eseguire una manutenzione completa prima di riporre il prodotto per lunghi periodi.

## Smaltimento

I simboli sul prodotto o sull'imballaggio indicano che il presente prodotto non può essere trattato come rifiuto domestico. Deve essere portato presso un centro di

raccolta specializzato nel recupero di apparecchiature elettriche ed elettroniche.

Trattando questo prodotto correttamente, si contribuisce a contrastare il potenziale impatto negativo sull'ambiente e sulle persone che può altrimenti sortire da una gestione impropria del prodotto come rifiuto. Per informazioni più dettagliate sul riciclaggio di questo prodotto, contattare l'autorità municipale, il servizio rifiuti domestici o il punto vendita in cui è stato acquistato.



## Dati tecnici

### Dati tecnici

	LC 247i	LC 347iVX	LC 353iVX
<b>Motore di taglio</b>			
Tipo di motore	BLDC (senza spazzole) 36V	BLDC (senza spazzole) 36V	BLDC (senza spazzole) 36V
Velocità del motore – SavE, giri/min	2600/min	2600/min	2600/min
Velocità del motore – Nominale, giri/min	3000/min	3000/min	3000/min
Velocità del motore – Carico elevato, giri/min	3500/min	3500/min	3500/min
Potenza del motore - max kW	0,96	0,96	1,05
Potenza del motore - Nominale, kW	0,75	0,75	0,9
<b>Motore di azionamento</b>			
Potenza del motore - Nominale, kW	N/D	0,25	0,25
Velocità conduzione automatica, km/h	N/D	3,0 - 4,5	3,0 - 4,5
Livelli di regolazione della velocità	N/D	4	4
<b>Peso</b>			
Peso senza sacchetto (batteria esclusa), kg	24,5	26	28
Peso con sacchetto (incl. 2 x BLi30), kg	30,5	32,0	34,5
<b>Batteria</b>			
Tipo di batteria	Serie a batteria Husqvarna		
<b>Prestazione della batteria</b>			
Durata della batteria, min, (funzionamento libero) con modalità SavE attivata, con una batteria Husqvarna da 7,7 Ah (BLi30).	62	62	46

	LC 247i	LC 347IVX	LC 353IVX
Durata della batteria, min, (funzionamento libero) con modalità standard attivata, con una batteria Husqvarna da 7,7 Ah (BLi30).	43	43	28
<b>Emissioni di rumore</b> <sup>50</sup>			
Livello di potenza acustica, misurato dB (A)	94	94	97
Livello acustico, garantito L <sub>WA</sub> dB(A)	95	95	98
<b>Livelli di rumorosità</b> <sup>51</sup>			
Livello di pressione acustica all'orecchio dell'operatore, dB(A)	82	82	86
<b>Livelli di vibrazioni</b> <sup>52</sup>			
Impugnatura, m/s <sup>2</sup>	0,42	0,42	2,64
<b>Attrezzatura di taglio</b>			
Altezza di taglio, mm	20-75 mm	20-75 mm	20-75 mm
Larghezza di taglio, cm	47	47	53
Lama standard	Raccolta 5905934-10	Raccolta 5905934-10	Raccolta 5940757-10
Accessorio lama	Pacciamatura 5907010-10	Pacciamatura 5907010-10	Pacciamatura 5950072-10
Capacità del sacco raccoglierba, litri	55	55	60

Dati di frequenza radio per Bluetooth®	LC 247i	LC 347IVX	LC 353IVX
Banda di frequenza, GHz	N/D	2,4-2,4835	2,4-2,4835
Potenza di uscita, dBm max.	N/D	4	4

Batterie approvate	Tipo	Capacità batteria, Ah	Tensione, V	Peso, lb/kg
BLi20	Ioni di litio	4,0	36	2,6/1,2
BLi30	Ioni di litio	7,7	36	4,2/1,9

<sup>50</sup> Emissioni di rumore nell'ambiente misurate come potenza sonora (L<sub>WA</sub>) in base alla direttiva CE 2000/14/CE.

<sup>51</sup> I dati riportati per il livello di pressione acustica presentano un fattore di incertezza di 1,5 dB(A).

<sup>52</sup> I dati riportati per il livello di vibrazione presentano un fattore di incertezza di 1,5 m/s<sup>2</sup>. Il valore totale dichiarato relativo alle vibrazioni è stato misurato in conformità allo standard EN 62841-4-3 Allegato I e può essere utilizzato per confrontare le macchine e in una valutazione preliminare dell'esposizione.

<b>Caricabatteria omologati per le batterie specificate, BLI</b>	<b>Tensione di entrata, V</b>	<b>Frequenza, Hz</b>	<b>Potenza, W</b>
QC80	100-240	50-60	80
40-C80	100-240	50-60	68,8
QC250	100-240	50-60	250



# Dichiarazione di conformità

## Dichiarazione di conformità UE

Husqvarna AB, SE-561 82 Huskvarna, Svezia, tel:  
+46-36-146500, dichiara sotto la propria esclusiva  
responsabilità che il prodotto indicato:

<b>Descrizione</b>	Rasaerba
<b>Marchio</b>	Husqvarna
<b>Tipo / Modello</b>	LC 247i
<b>Identificazione</b>	Numeri di serie a partire da 2021 e successivi

È pienamente conforme alle seguenti norme e direttive  
UE:

<b>Direttiva/norma</b>	<b>Descrizione</b>
2006/42/CE	"sulle macchine"
2014/30/UE	"sulla compatibilità elettromagnetica"
2000/14/CE	"sull'emissione di rumore nell'ambiente"
2011/65/UE	"sulla restrizione dell'uso di determinate sostanze pericolose nelle apparecchiature elettriche ed elettroniche"

e che sono applicati gli standard e/o le specifiche tecniche seguenti: EN 62841-1:2015+AC:2015, EN 62841-4-3:2021+A11:2021, EN ISO 12100:2010, EN 55014-1:2017+A11:2020, EN 55014-2:2015, EN IEC 63000:2018.

Organo competente: 0404, RISE SMP Svensk Maskinprovning AB, Box 7035, SE-750 07 Uppsala ha certificato la conformità alla Direttiva del Consiglio 2000/14/CE, procedura di valutazione della conformità: Allegato VI

Per informazioni sulle emissioni di rumore, fare riferimento a *Dati tecnici alla pagina 330*.

Huskvarna, 2021-12-01



Claes Lossdal, Responsabile sviluppo/Prodotti da giardino, Husqvarna AB

Responsabile della documentazione tecnica



## Dichiarazione di conformità UE

Husqvarna AB, SE-561 82 Huskvarna, Svezia, tel: +46-36-146500, dichiara sotto la propria esclusiva responsabilità che il prodotto indicato:

<b>Descrizione</b>	Rasaerba
<b>Marchio</b>	Husqvarna
<b>Tipo / Modello</b>	LC 347iVX, LC 353iVX
<b>Identificazione</b>	Numeri di serie a partire da 2021-12-01 e successivi

È pienamente conforme alle seguenti norme e direttive UE:

Direttiva/norma	Descrizione
2006/42/CE	"sulle macchine"
2014/53/UE	"riguardante le apparecchiature radio"
2000/14/CE	"sull'emissione di rumore nell'ambiente"
2011/65/UE	"sulla restrizione dell'uso di determinate sostanze pericolose nelle apparecchiature elettriche ed elettroniche"

e che sono applicati gli standard e/o le specifiche tecniche seguenti: EN 62841-1:2015+AC:2015, EN 62841-4-3:2021+A11:2021, EN ISO 12100:2010, EN 55014-1:2017+A11:2020, EN 55014-2:2015, EN IEC 63000:2018, EN ETSI 300 328 v.2.2.2, EN 50663: 2017, ETSI EN 301 489-1 V2.2.3, ETSI EN 301 489-17 V3.2.4.

Organo competente: 0404, RISE SMP Svensk Maskinprovning AB, Box 7035, SE-750 07 Uppsala ha certificato la conformità alla Direttiva del Consiglio 2000/14/CE, procedura di valutazione della conformità: Allegato VI

Per informazioni sulle emissioni di rumore, fare riferimento a *Dati tecnici alla pagina 330*.

Huskvarna, 2021-12-01

Claes Lossdal, Responsabile sviluppo/Prodotti da giardino, Husqvarna AB

Responsabile della documentazione tecnica



---

## Marchi registrati

---

Il marchio denominativo e i logo *Bluetooth®* sono marchi registrati di proprietà di *Bluetooth SIG, inc.* e qualsiasi utilizzo di tali marchi da parte di Husqvarna è soggetto a licenza.

---

## 目次

---

はじめに.....	335	トラブルシューティング.....	352
安全性.....	337	搬送、保管、廃棄.....	354
組立.....	343	主要諸元.....	355
Operation( 動作 ).....	344	適合宣言.....	358
メンテナンス.....	350	登録商標.....	359

---

## はじめに

---

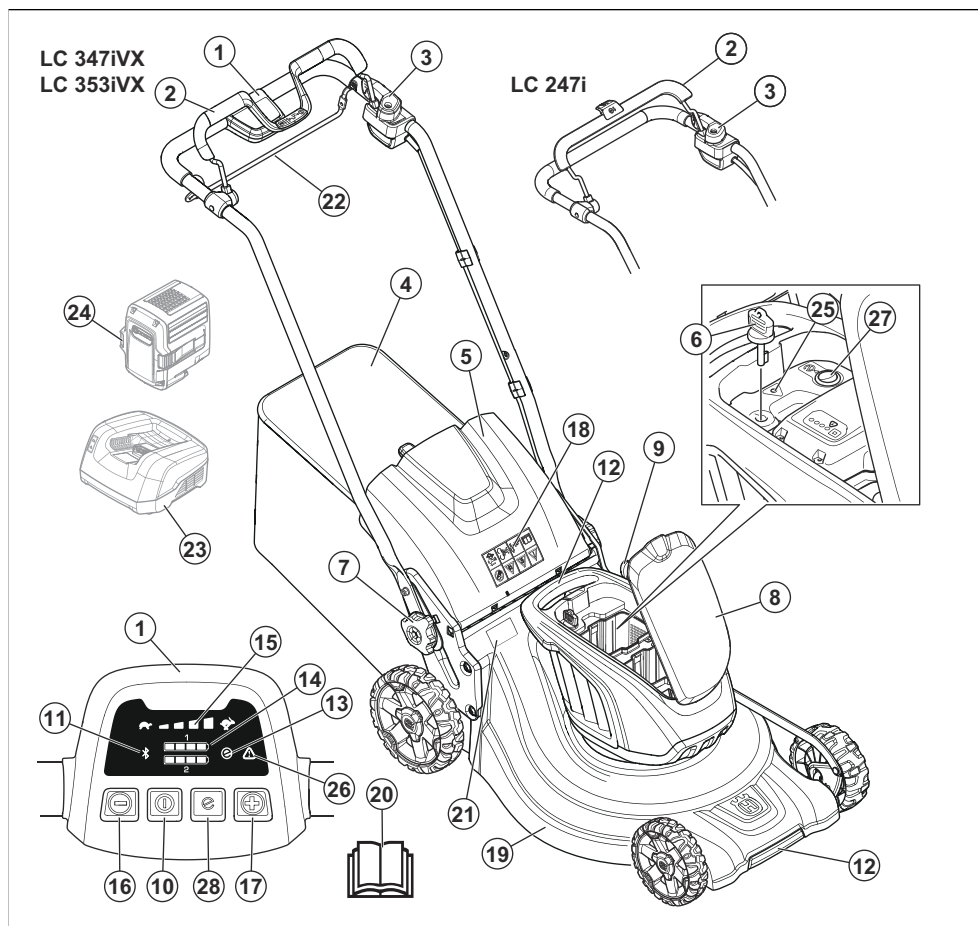
### 製品の説明

本製品は、手押し式ロータリー芝刈機です。芝はグラスキャッチャーに収集されます。芝を後方排出方式にするには、グラスキャッチャーを取り外してください。刈った芝を肥料にするにはマルチキット ( アクセサリー ) を取り付けてください。

### 用途

本製品は芝刈り用です。他の作業に本製品を使用しないでください。

## 製品の概要



1. コントロールパネル ( LC 347iVX, LC 353iVX )
2. モーターブレーキハンドル
3. 始動抑制装置
4. グラスキャッチャー
5. 後部カバー
6. 安全キー
7. ハンドルノブ
8. バッテリーカバー
9. 刈高制御
10. ON/OFF ボタン
11. Bluetooth® ワイヤレス技術のインジケータ
12. リフトハンドル
13. SavE インジケータ
14. バッテリーインジケータ
15. 速度レベルインジケータ ( LC 347iVX, LC 353iVX )

16. 減速ボタン ( LC 347iVX, LC 353iVX )
17. 加速ボタン ( LC 347iVX, LC 353iVX )
18. シンボルマーク
19. カットティングカバー
20. 取扱説明書
21. 銘板
22. ドライブベイル ( LC 347iVX, LC 353iVX )
23. バッテリー充電器 ( アクセサリー )
24. バッテリー ( アクセサリー )
25. エラー LED ( LC 247i )
26. エラー LED ( LC 347iVX, LC 353iVX )
27. SavE ボタン ( LC 247i )
28. SavE ボタン ( LC 347iVX, LC 353iVX )

## 製品に表記されるシンボルマーク



警告



すべての指示をお読みください。



警告 - 飛んでくる物体に気をつけてください。



そばに人がいないようにしてください。



警告 - ブレードに手や足を近づけないでください。



警告 - メンテナンスの前にはバッテリーを外してください。



本製品や本製品のパッケージは、一般廃棄物ではありません。電気・電子機器のリサイクル業者にリサイクルを依頼してください。



本製品は EC 指令適合製品です。



EU および英国の指令および規制に従った環境への騒音排出のラベル。本製品の保証音響レベルは、**主要語元 355** ページおよびラベルに記載されています。

## IPX1

本製品は防滴対応です。



モーターブレーキハンドルを放すと、モーターは停止します。



スキャン用のコード

**注記：** 本製品に付いている他のシンボル / 銘板は、一部の市場地域に向けた認定条件を示します。

## 本製品のラベル



危険 - 手や足を近づけないでください。

## 製造物責任

製造物責任法に基づき、当社は、次の場合については本製品を原因とする損傷について責任を負いません。

- 本製品が誤って修理された場合。
- メーカーによるものではない部品、またはメーカーの認可していない部品を使用して本製品を修理した場合。
- メーカーによるものではないアクセサリー、またはメーカーの認可していないアクセサリーを本製品に使用した場合。
- 認定サービスセンターまたは認定機関で本製品が修理されていない場合。

## 安全性

### 安全性の定義

警告、注意、注記は、取扱説明書の特に重要な部分を示しています。



**警告：** 取扱説明書の指示に従わない場合、使用者が負傷したり、死亡したりするが、あ

るいは付近の人に損傷を与える危険があることを意味します。



**注意：** 取扱説明書の指示に従わない場合、製品や他の物品、または隣接するエリアに損傷を与える危険があることを意味します。

**注記：** 特定の状況で必要とされる詳細情報を提供するために使用されます。

## 製品に関する一般的な安全上の警告



**警告：** 本製品に付属する安全に関する警告、注意事項、図、仕様をすべてお読みください。下記のすべての指示に従わない場合、感電、火災、あるいは深刻な傷害を招くことがあります。

すべての警告や説明は、以後の参考のために保管してください。警告の「製品」とは、電源で作動する（コード付）製品またはバッテリー駆動（コードレス）の製品を指します。

### 作業エリアの安全

- 作業エリアはきれいにし、適切な照度を保ってください。乱雑な場所や暗い場所では、事故が起こりやすくなります。
- 可燃性の液体や気体、塵がある所など、爆発性環境の中では本製品を作動させないでください。本製品は、塵やガスを発火させる火花を発生することがあります。
- 本製品の操作中は子供やそばにいる人たちと十分な距離を置いてください。注意が散漫になって、操作ミスを引き起こす可能性があります。

### 電気保安

- 製品のプラグはコンセントに適合しなければなりません。決してプラグを改造しないでください。アダプタープラグをアースの付いた（接地された）製品とともに使用しないでください。改造されていないプラグおよび型の同じコンセントを使用すれば、感電のリスクが低くなります。
- パイプやラジエータ、レンジ、冷蔵庫など、アースの付いた表面または接地された表面に触れないようにしてください。体が接地していたりアースされていたりすると、感電のリスクが高くなります。
- 製品を雨露や湿潤な環境にさらさないでください。製品内に水が入ると、感電のリスクが高まります。
- コードを本来の目的以外に使用しないでください。コードを持って製品を移動したり、引っ張ったり、電源を抜いたりしないでください。熱やオイル、とがった先端や可動部にコードを近づけないでください。コードが破損したり絡まると、感電のリスクが高くなります。
- 屋外で製品を操作する場合は、屋外での使用に適した延長コードを使用してください。屋外での使用に適したコードを使用することで、感電の危険性は少なくなります。
- 湿気のある場所で製品を使用しなければならない場合は、電源を保護するために漏電遮断器（RCD）を使用してください。RCDの使用は感電の危険性を低減します。

### 個人の安全

- 製品を使用するときは、十分に気をつけて慎重に行動し、常識に従ってください。疲労時、医薬品およびアルコールの影響が残っている状態で製品を使用しないでください。製品の操作中は、一瞬の不注意が重大な人の損傷につながる可能性があります。
- 身体保護具を使用してください。常に眼の保護具を着用してください。防塵マスクや滑り止め用の安全靴、ヘルメット、イヤマフを使用すると、負傷の危険性が少なくなります。
- 予期せぬ始動を防止してください。電源およびバッテリーパックを接続する場合や本製品を持ち運ぶ場合は、必ずスイッチがオフの位置にあることを確認してください。スイッチに指を置いて製品を運んだり、製品のスイッチが入った状態で給電すると、事故につながります。
- 製品の電源を入れる前に、調整キーやレンチを外してください。本製品の回転部にレンチやキーが取り付けられていると負傷の原因となります。
- 無理な体勢で作業しないでください。常に、安定した足場とバランスを保つようにしてください。これにより、予期しない事態でも本製品を安定した状態に保つことができます。
- 適切な服装を心がけてください。ゆったりした衣服や装身具を身につけないでください。可動部に髪の毛や衣服を近づけないでください。ゆったりした衣服や装身具、長髪は可動部に絡まるおそれがあります。
- 集塵装置の接続用装備が提供されている場合、それらが接続されて正しく使用されているか確認してください。集塵装置を使用すると、塵に関連する危険を回避できます。
- 製品を頻繁に使用することによる慣れで、安全への関心を失ってツールの安全原則を無視することは非常に危険です。不注意により、一瞬で深刻な事故が発生するおそれがあります。

### 製品の使用と手入れ

- 本製品に無理な力を加えないでください。用途に合った適切な製品を使用してください。適切な製品を使用することで、設計された速度でより良く安全に作業を行います。
- スイッチが機能しない場合は本製品を使用しないでください。スイッチで制御できない製品は危険なため、修理する必要があります。
- 製品の調整、アクセサリの変更、または製品の保管前は、電源プラグを外し、製品からバッテリーパックを取り外してください（着脱可能な場合）。予防的な安全対策を行うことで、誤って本製品を始動させる危険性が少なくなります。
- 使用していない製品は子供の手の届かない所に保管して、製品や製品の取り扱い方法に詳しくない人間が操作しないように注意してください。慣れないユーザーが製品を扱うと危険です。
- 製品とアクセサリのメンテナンスを行ってください。可動部の誤調整や巻き付き、部品の破損や製品の動作に影響するその他の状態が発生していないことを確認します。破損している場合は、本製品を

修理してから使用してください。多くの事故は、製品の保守不備によって発生します。

- ・ 切削工具は研いだ状態で清潔に保ちます。正しくメンテナンスされて研いだ切刃工具は、バインドすることも少なく、制御が簡単です。
- ・ 本製品、アクセサリ、工具ビットなどは、作業条件と作業について考慮して、取扱説明書に従って使用してください。本製品の用途と異なる作業に本製品を使用すると、危険な状況を招くことがあります。
- ・ ハンドル部および保持面は乾燥させて、オイルや油が付着しないようにきれいな状態を保ってください。ハンドルと保持面が滑りやすいと、予期しない状況で製品の安全な取り扱いや制御ができません。

## サービス

- ・ 製品のサービスは、資格のある修理担当者が同じ交換部品を使って行うようにしてください。こうすることで、製品の安全性を維持できます。
- ・ 損傷したバッテリーパックを決して修理しようとししないでください。バッテリーパックの修理は、メーカーまたは販売店しか行えません。

## バッテリーツールの使用と手入れ

- ・ メーカー指定の充電器のみを使って充電してください。1種類のバッテリーパックのみに適合する充電器は、それ以外のバッテリーパックの充電で使用する、火災を起こす恐れがあります。
- ・ 製品には、指定された専用バッテリーパックのみ使用してください。それ以外のバッテリーパックを使用すると、怪我や火災を招く危険があります。
- ・ バッテリーパックを使用しないときは、ペーパーリップ、コイン、キー、爪きり、ネジなどの金物、あるいは端子間を短絡する恐れがある他の小さな金物の短絡は、火傷や火災を引き起こす恐れがあります。
- ・ 劣悪な環境では、液体がバッテリーから漏れ出すことがあります。そのような場合、液体には触れないようご注意ください。もし万が一誤って触れてしまった場合、水で洗い流してください。液体が目に入ってしまった場合、医師の診察を受けてください。バッテリーから漏れ出した液体は、炎症や火傷を引き起こすことがあります。
- ・ 故障した、または改造されたバッテリーパックやツールは使用しないでください。故障した、または改造されたバッテリーは、予測不可能な挙動を起こし、発火や破裂、障害の原因となる可能性があります。
- ・ バッテリーパックやツールを火や高温にさらさないでください。火または 130°C (265°F) 以上の温度環境にさらすと爆発する恐れがあります。
- ・ 充電の手順にすべて従い、指示された温度範囲外でバッテリーパックまたはツールを充電しないでください。充電を不適切に行ったり、指定された範囲から外れた温度環境で行ったりした場合、バッテリーの損傷や火災発生の危険の増加につながることがあります。

## 芝刈機に関する安全上の警告

- ・ 悪天候の場合、特に雷発生の危険がある場合は、芝刈機を使用しないでください。これは、落雷の危険を避けるためです。
- ・ 芝刈機を使用するエリアの野生動物について十分に調査してください。芝刈機の動作中に野生動物が負傷する可能性があります。
- ・ 芝刈機を使用するエリアを十分に調査して、すべての石、枝、ケーブル、骨などの異物を取り除いてください。飛んでくる物によって負傷する可能性があります。
- ・ 芝刈機を使用する前に、必ずブレードとブレードアセンブリが摩耗または損傷していないことを目視で点検してください。パーツが摩耗または損傷している、負傷する可能性が高くなります。
- ・ 使用する前に、電源コードと延長コードに損傷や経年劣化の兆候がないことを確認してください。コードがない場合や損傷がある場合は、芝刈機を使用しないでください。使用中にコードが損傷または摩耗した場合は、芝刈機の電源をオフにして、電源からコードを外すまでコードに触れないでください。電源コードまたは延長コードが損傷していると、感電、火災、または重傷の原因となる可能性があります。
- ・ グラスキャッチャーに摩耗や劣化がないか、頻繁に確認してください。グラスキャッチャーが摩耗または損傷していると、負傷する危険性が高くなります。
- ・ ガードを取り付けてください。適切に動作するガードを正しく取り付ける必要があります。ガードに緩みや損傷がある場合や適切に動作しない場合は、負傷につながるおそれがあります。
- ・ すべての冷却用吸気口から異物を取り除いてください。冷却用吸気口が異物で塞がれていると、火災を起こす危険性があります。
- ・ 芝刈機の操作中は常に滑りにくい保護靴を着用してください。裸足やサンダルで芝刈機の操作をしないでください。動作中のブレードと足が接触しないようにすることで負傷の可能性が減少します。
- ・ 芝刈機の操作中は、必ず長ズボンを着用してください。肌が露出していると、飛ばされた物体によって負傷する可能性が高くなります。
- ・ 芝刈機は濡れた手で操作しないでください。歩きながら操作し、決して走らないでください。滑って転倒して負傷する可能性が減少します。
- ・ 芝刈機は急斜面では使用しないでください。制御が効かずに滑って転倒して負傷する可能性が減少します。
- ・ 斜面で作業する場合は、常に足元を確認して、斜面を上下することは避けて横方向に移動してください。方向を変えるときは特に注意を払ってください。制御が効かずに滑って転倒して負傷する可能性が減少します。
- ・ 芝刈機を後退させるとき、または手前に引くときは、細心の注意を払ってください。常に周囲に気をつけてください。これにより、運転中の転倒のリスクが低減されます。
- ・ 電源コードをカッピングブレードに近づけないでください。電源コードが損傷していると、感電、火災、または重傷の原因となる可能性があります。

## 安全な作業



**警告：** 本製品を使用する前に、以下の警告指示をお読みください。

- 本製品は芝生刈りにのみ使用してください。他の作業には使用できません。
- 身体保護具を使用してください。身体保護具 341 ページを参照してください。
- 緊急時にモーターをすばやく停止する方法を必ず確認してください。
- 雨降りや湿潤な環境下で本製品を操作しないでください。本製品に水が入ると、感電の危険性が高まります。
- ブレードやすべてのカバーを適切に装着してから本製品を始動させてください。ブレードが適切に装着されていないと、緩んで、怪我をすることがあります。
- ブレードが石や根などの物体にぶつからないように気を付けてください。ブレードが損傷したり、モーターシャフトが曲がったりするおそれがあります。シャフトが曲がると振動が激しくなり、ブレードが緩む危険性が非常に高くなります。
- ブレードが物に当たったり振動が発生したりした場合は、すぐに本製品を停止してください。モーターを停止し、安全キーを 0 の位置に回してバッテリーを取り外します。可動部品が停止するまで待ちます。製品に損傷がないか点検します。緩んだ部品を締め付けます。損傷部を修理するか、破損した部品を交換します。販売店にメンテナンスを依頼してください。
- モーターの始動時は、モーターブレーキハンドルをハンドルに完全に固定しないでください。
- 製品を平らで安定した面に置き、始動します。ブレードが地面やその他の物に触れないよう、注意してください。
- 本製品の操作時は、必ず製品の後ろに立ってください。
- 製品を操作するときは、すべてのホイールを地面につけ、両手でハンドルをつかんで操作してください。回転しているブレードに手や足を近づけないでください。
- モーターの始動時や本製品の動作中には、本製品を傾けないでください。
- 製品を後方に引くときは注意してください。
- モーターの作動中は、本製品を持ち上げないでください。本製品を持ち上げる必要がある場合は、まずモーターを停止させ、安全キーを 0 の位置に回してバッテリーを取り外してください。
- 本製品を操作するときは、後ろ向きに歩かないでください。
- 搬送のために本製品を傾ける必要がある場合や、砂利、石、アスファルトの道など草のない場所を通過する前には、モーターを停止します。
- モーターの作動中は、本製品を操作しながら歩かないでください。製品を操作するときは、必ず歩いてください。

- コードが絡まっている場合や損傷している場合は、電源を切り、コンセントからプラグを抜いてください。コードが絡まったり摩擦したりすると、感電のリスクが高くなります。
- ブレードやその他の危険な可動部品が動いている間は触れないでください。これにより、可動部品による負傷のリスクが低減されます。
- 詰まった物を取り除くときや芝刈機を清掃するときは、すべての電源スイッチがオフで、電源コードが外れていることを確認してください。誤って芝刈機が作動すると、重傷の原因となる可能性があります。

### 漏電遮断器

- トリップ電流が 30 mA 以下の漏電遮断器を使用してください。

### 一般的な安全注意事項



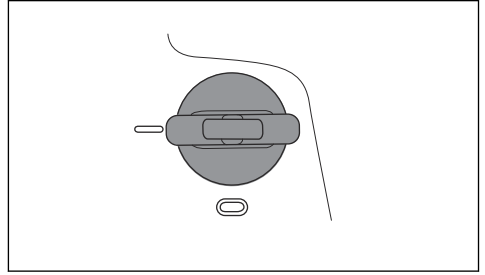
**警告：** 本製品を使用する前に、以下の警告指示をお読みください。

- 本製品は、慎重かつ適切に使用しないと、危険な道具となります。安全注意事項に従わないと、負傷や死亡事故が発生するおそれがあります。
- 本製品では、運転中に電磁場が発生します。この電磁場は、ある条件下でアクティブ、またはパッシブな医療用インプラントに影響を及ぼすことがあります。深刻な傷害または致命傷の危険を避けるため、医療用インプラントを使用している方は、本製品を使用する前に主治医および医療用インプラントの製造元に相談することをお勧めします。
- 常に常識に基づいて注意して使用してください。特殊な状況での本製品の操作方法がわからない場合、作業を続ける前に本製品を停止して、Husqvarna 販売店までご連絡ください。
- 第三者やその所有物が事故に関係する場合、その責任は、作業員にあることを忘れないでください。
- 本製品は清潔に保ってください。標識やラベルがはっきりと読み取れるようにしてください。
- 子供や使用方法に習熟していない人には本製品を使用させないでください。居住地の法規によっては、使用者の年齢制限がある場合があります。
- 身体的、精神的にハンデを負った人が本製品を使用する場合は常に監視してください。責任を有する大人が常にそばにいる必要があります。
- 疲労時、疾病時、アルコールや医薬品の影響が残っているときは、本製品を使用しないでください。視力、注意力、動作、判断力に悪影響を与えます。
- 本製品に不具合がある場合は使用しないでください。
- 本製品を改造しないでください。また、本製品が改造されている可能性がある場合は使用しないでください。



- ・刈高を変更する場合は、まずモーターを停止してください。モーターが作動している状態での調整は決して行わないでください。
- ・モーターが作動している状態で、見えない場所に製品を放置しないでください。モーターを停止し、カッティング装置が回転していないことを確認してください。
- ・動作中の本製品の振動は、**主要語彙 355** ページの公称振動値とは異なる場合があります。これは製品の使用方法が異なることが理由です。本製品を頻繁に、または長期間使用する場合は、振動による負傷を防ぐために定期的に休憩を取ってください。

- ・安全キーが正しく機能している場合は、安全キーが1の位置にあるときのみモーターが始動します。



## 操作のための安全注意事項

### 身体保護具



**警告：** 本製品を使用する前に、以下の警告指示をお読みください。

- ・身体保護具で怪我を完全に防止できるわけではありませんが、万が一事故が起こった場合、負傷の度合いを軽減することができます。適切な保護具の選択については、販売店にご相談ください。
- ・丈夫で滑りやすいブーツや靴を着用してください。開放部の多い靴を使用したり、裸足で作業を行ったりしないでください。
- ・厚手の長ズボンを着用してください。
- ・カッティング装置の取り付け、点検、清掃を行う場合は、必要に応じて保護グローブを着用してください。
- ・イヤマフを使用することをお勧めします。

### 本製品の安全装置



**警告：** 本製品を使用する前に、以下の警告指示をお読みください。

- ・安全装置に欠陥のある製品は使用しないでください。
- ・安全装置を修理または改造しないでください。
- ・安全装置は定期的に点検してください。安全装置に欠陥がある場合は、Husqvarna サービス代理店にご相談ください。

### カッティングカバーの点検方法

カッティングカバーは、本製品の振動を抑え、ブレードで負傷する危険性を低減します。

- ・カッティングカバーを点検して、亀裂などの損傷がないことを確認してください。

### 安全キーの点検

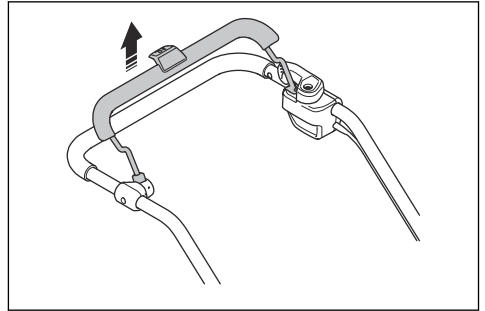
安全キーはバッテリーカバーの下にあります。安全キーは、電源を供給するバッテリーとモーターを接続します。

- ・安全キーを点検するには、モーターを始動および停止します。

### モーターブレーキハンドルの点検

モーターブレーキハンドルは、モーターを停止させるためのものです。モーターブレーキハンドルを放すと、モーターが停止します。

- ・本製品を始動します。*Operation (動作)* 344 ページを参照してください。
- ・モーターブレーキハンドルを放します。



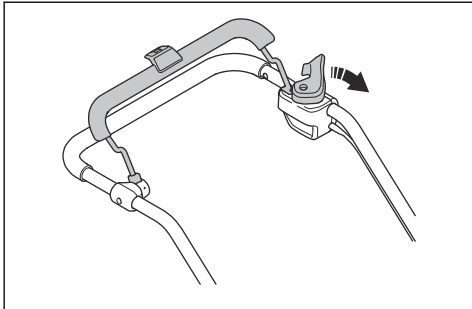
- ・本製品が停止することを確認します。モーターが3秒で停止しない場合は、Husqvarna の認証サービス代理店にモーターブレーキの調整を依頼してください。

### 始動抑制装置の点検

始動抑制装置を点検して、モーターの作動を抑制することを確認します。

1. ハンドルバーの方向にモーターブレーキハンドルを押します。始動抑制装置により動きが停止します。

## 2. 始動抑制装置を押します。



## 3. 始動抑制装置を放して、最初の位置に戻ることを確認します。

## バッテリーの安全



**警告：** 本製品を使用する前に、以下の警告指示をお読みください。

- Husqvarna 充電式バッテリーは、対応する Husqvarna 製品の電源としてのみ使用してください。負傷を防ぐため、このバッテリーを他の装置の電源として使用しないでください。
- 充電式ではないバッテリーは使用しないでください。
- 感電するおそれがあります。バッテリーの端子を鍵や硬貨、ネジや他の金属に接触させないでください。バッテリーが短絡する原因になります。
- バッテリーのエアスロットに物が入らないようにしてください。
- バッテリーは直射日光や熱、裸火から保護してください。バッテリーが爆発して、やけどや化学熱傷を負うおそれがあります。
- バッテリーは雨や湿気から保護してください。
- バッテリーは電子レンジや高圧から保護してください。
- バッテリーを分解もしくは粉砕しないでください。
- バッテリーから漏れが発生した場合、身体や目に液体が触れないようにしてください。液体が人体に触れる場合は、触れた箇所を大量の水で洗い流して、医療機関に相談してください。
- 周囲温度が 5°C ~ 40°C の場合にのみ本製品にバッテリーを使用してください。
- 周囲温度が 5°C ~ 40°C の場合にのみバッテリー充電器を使用してください。
- バッテリーの温度が 50°C を超えると、バッテリーは充電されません。
- バッテリーまたはバッテリー充電器は、水で洗淨しないでください。バッテリーとバッテリー充電器の清掃方法 351 ページを参照してください。
- 不具合や損傷のあるバッテリーは使用しないでください。
- バッテリーは、くぎ、硬貨、宝飾品などの金属から遠ざけて保管してください。

## バッテリー充電器の安全性



**警告：** 本製品を使用する前に、以下の警告指示をお読みください。

- Husqvarna 交換用バッテリーの充電には、QC バッテリー充電器のみを使用してください。
- 感電や短絡のおそれがあります。充電器のエアスロットに物が入らないようにしてください。バッテリー充電器を分解しないでください。充電器の端子を金属物体へ接触させないでください。認定された主電源ソケットを使用してください。
- 本製品では、運転中に電磁場が発生します。この電磁場は、ある条件下でアクティブ、またはパッシブな医療用インプラントに影響を及ぼすことがあります。深刻な傷害または致命傷の危険を避けるため、医療用インプラントを使用している方は、本製品を使用する前に主治医および医療用インプラントの製造元に相談することをお勧めします。
- 定期的に充電器の電源コードを点検し、破損や亀裂がないことを確認してください。
- 電源コードを持ってバッテリー充電器を持ち上げないでください。主電源ソケットからバッテリー充電器を取り外す際は、プラグを引っ張ってください。電源コードを引っ張らないでください。
- 電源コードと延長ケーブルが、水や油、または尖った物に接触しないようにしてください。ドア、フェンスなどにケーブルが挟まっていないことを確認してください。充電器に通電する可能性があります。
- バッテリー充電器を、水で洗淨しないでください。
- このバッテリー充電器は、8 歳以上の子供、身体的、知覚的、精神的障害のある方、または経験や知識のない方でも、バッテリー充電器の安全な使用に関する監督または指示を受け、関連する危険について理解すれば使用できます。充電器を小児の玩具にしないでください。クリーニングおよびメンテナンスは、保護者による監視のない限り、小児に行わせてはいけません。
- 充電不可能なバッテリーを本バッテリー充電器で充電しないでください。
- 可燃性の物質や、腐食の原因となる物質の近くでは、バッテリー充電器を使用しないでください。バッテリー充電器にカバーをかけないでください。煙や火災が発生した場合、バッテリー充電器の電源プラグをコンセントから引き抜いてください。
- 故障または破損したバッテリー充電器は使用しないでください。
- バッテリーは、通気がよく直射日光が当たらない室内でのみ充電してください。濡れた状態でバッテリーを充電しないでください。

## メンテナンスのための安全注意事項



**警告：** 本製品を使用する前に、以下の警告指示をお読みください。

- メンテナンス中に誤って始動しないようにするために、安全キーを0の位置に回して、バッテリーを取り外します。5秒以上待ってから、メンテナンスを開始してください。
- 本取扱説明書に記載されているメンテナンスのみを実施してください。本書に記載されている内容以外のメンテナンスやプロによる修理は必ず販売店に依頼してください。詳しくは、最寄りのサービス代理店までお問い合わせください。
- 適切にメンテナンス作業を実施すると、製品の寿命が延び、事故のリスクを低減することができます。
- 損傷、摩耗、破損した部品は交換してください。必ずメーカーが推奨する純正スペアツールのみを使用してください。その他のスペアパーツを使用すると、本製品が損傷し、事故の危険性が高まる可能性があります。
- 負傷を防ぐために、安全装置を修理または改造しないでください。
- カッティング装置を取り扱う際は、丈夫な作業用手袋を着用してください。ブレードは非常に鋭利なため、切り傷を負う危険性があります。
- 最も安全で最良の性能を実現するために、カッティングエッジを目立し、清潔に保ってください。
- サービス代理店に本製品の定期検査を依頼し、必要な調整や修理を受けてください。
- アクセサリーの交換は、手順に従って実施してください。純正のアクセサリーのみを使用してください。
- 操作しないときは、製品、バッテリー、バッテリー充電器を乾燥した、屋内の鍵のかかる場所に保管してください。子供や許可されていない人が、製品、バッテリー、バッテリー充電器に近づけないようにしてください。

## 組立

### はじめに



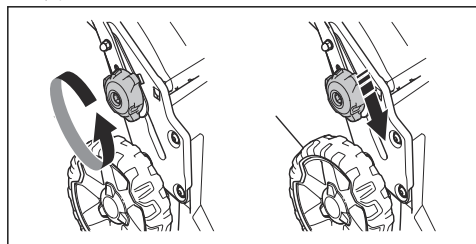
**警告：** 製品を組み立てる前に、安全の章をよく読んでください。



**警告：** 組み立て中に誤って始動しないようにするために、安全キーを0の位置に回し、バッテリーを取り外してから最低5秒間待ってください。

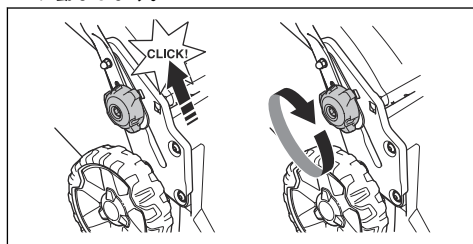
### ハンドルの調節方法

- 下側ノブを緩めます。
- 本製品の左右にある溝の下端までノブを動かします。



- ハンドルを2つの高さのいずれかにセットします。

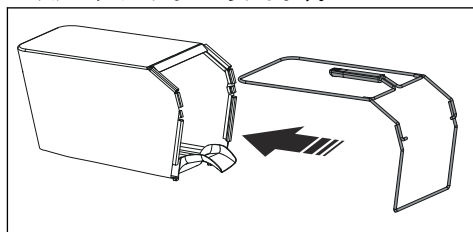
- ノブをハンドル方向に、カチッと音がするまで上方に動かします。



- ノブを完全に締め込みます。

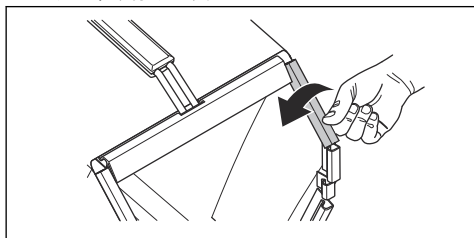
### グラスキャッチャーの取り付け ( )

- グラスキャッチャーフレームを、バッグ下部の硬質な部分に取り付けます。フレームのハンドルがグラスバッグの上になるようにします。

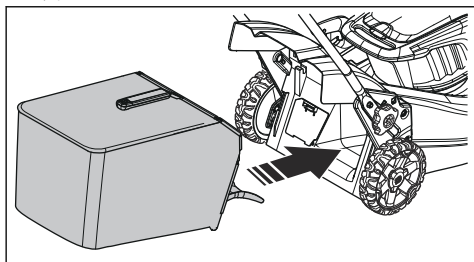


- グラスキャッチャーフレームの下部をグラスキャッチャーの底の溝に取り付けます。

3. グラスバッグをグラスキャッチャーフレームにクリップで取り付けます。

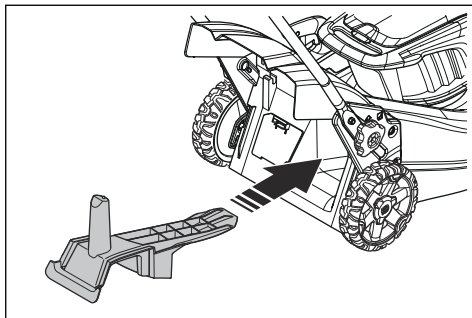


4. 後部カバーを持ち上げます。
5. グラスキャッチャーをシャーシの上端に取り付けます。
6. グラスキャッチャーの下部を芝の排出口に入れます。



## マルチプラグ(別売り)の組み立て方法

1. 後部カバーを持ち上げてグラスキャッチャーを取り外します。
2. 排出口にマルチプラグを取り付けます。



3. ブレードを、マルチキットに付属するマルチブレードに取り替えます。ブレードの交換 351 ページを参照してください。

## Operation ( 動作 )

### はじめに



**警告：** 本製品を操作する前に、安全に関する章をお読みになり、内容を理解してください。

### Husqvarna Connect

Husqvarna Connect は、モバイルデバイス用の無料アプリです。Husqvarna Connect アプリは、お持ちの Husqvarna 製品の拡張機能を提供します。

- 拡張製品情報。
- 製品の部品とサービスに関する情報とヘルプ。

### Husqvarna Connect の使い方

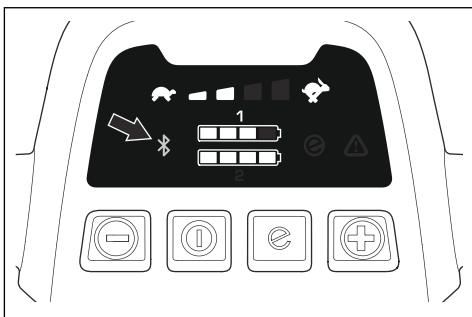
1. Husqvarna Connect アプリをモバイルデバイスにダウンロードします。
2. Husqvarna Connect アプリで登録を行います。
3. Husqvarna Connect アプリの指示に従い、本製品を接続して登録します。

**注記：** Husqvarna Connect アプリは一部の市場ではダウンロードできません。詳しくは、サービス代理店までお問い合わせください。

### Bluetooth® 情報 ( LC 347iVX, LC 353iVX )

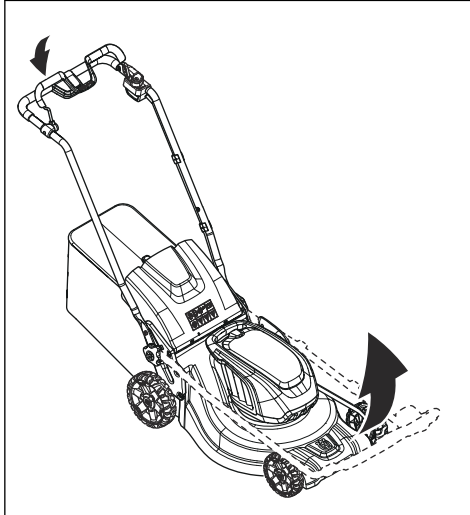
#### Bluetooth® ワイヤレス技術

モバイルデバイスを製品に接続すると、Bluetooth® ワイヤレス技術の記号が表示されます。

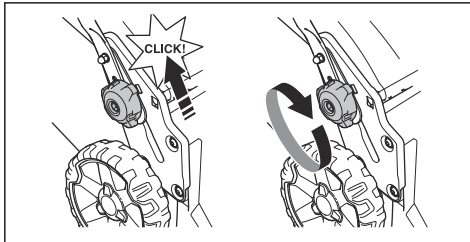


## 製品を操作位置にセットする方法

1. ハンドルを直立した位置まで折り畳みます。



2. ノブをハンドル方向に、カチッと音がするまで上方に動かします。



3. ノブを完全に締め込みます。



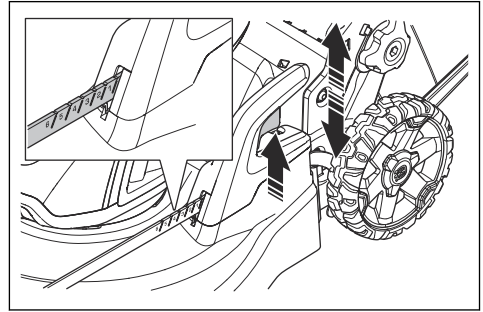
**警告：** ハンドルが完全に折り畳まれ、適切な高さのいずれかに設定されていない限り、本製品を操作しないでください。ハンドルの調節方法 343 ページを参照してください。

## 刈高の設定方法

刈高は 6 段階に調節できます。

1. 刈高を低くするには、刈高レバーを下方に動かします。

2. 刈高を高くするには、刈高レバーを上方に動かします。



**注意：** 刈高を低く設定しすぎないください。芝生の表面が水平でない場合、ブレードが地面に当たるおそれがあります。

## バッテリー



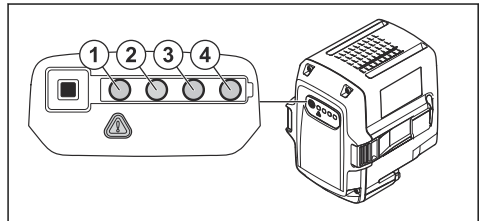
**警告：** バッテリーを使用する前に、安全に関する章をお読みになり、内容を理解してください。バッテリーおよびバッテリー充電器の取扱説明書もお読みになり、内容を理解してください。

バッテリーとバッテリー充電器を適切な周辺温度の場所に保管します。

	周辺温度
バッテリーの作動	5°C ~ 40°C
バッテリーの充電	5°C ~ 40°C

## バッテリーの状態

ディスプレイには、バッテリー残量やバッテリーに関する問題が表示されます。バッテリー容量は、本製品の電源がオフになった後あるいはバッテリーインジケータボタンが押された後に 5 秒間表示されます。エラーが発生すると、バッテリーに関する警告マークが点灯します。バッテリー 352 ページを参照してください。



LED ランプ	バッテリーの状態
すべての LED が点灯。	フル充電 (75 ~ 100%)

LED ランプ	バッテリーの状態
LED 1、LED 2、LED 3 が点灯	バッテリーは 50%～75% 充電済み
LED 1、LED 2 が点灯	バッテリーは 25%～50% 充電済み
LED 1 が点灯	バッテリーは 0%～25% 充電済み。
LED 1 が点滅	バッテリーは空です。バッテリーを充電してください。

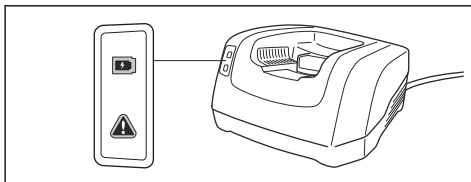
## バッテリーの充電方法

初めて使用する前に、バッテリーを充電してください。お客様への出荷時、バッテリーは 30% のみ充電されています。

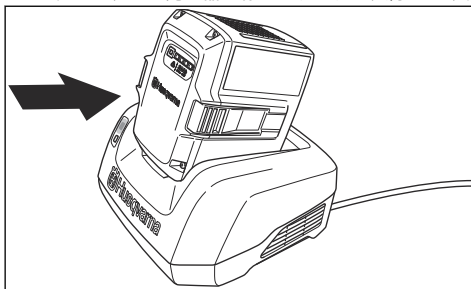
**注記：** バッテリー充電器は、銘板で指定された電圧と周波数の電源に接続する必要があります。

バッテリーの温度が 50°C を超えている場合は、バッテリーが充電されません。バッテリー充電器は、バッテリーの温度が下がってから充電を開始します。

1. バッテリー充電器用電源コードの片端をバッテリー充電器のソケットに接続します。
2. バッテリー充電器用電源コードのもう一方の端を、アースされている主電源ソケットに接続します。バッテリー充電器の LED が一度緑色で点滅します。



3. バッテリーをバッテリー充電器に取り付けます。バッテリーがバッテリー充電器に正しく接続されると、バッテリー充電器の緑色のランプが点灯します。



4. バッテリーの LED がすべて点灯したら、バッテリーはフル充電されています。バッテリーを最大 24 時間充電します。

5. 主電源ソケットからバッテリー充電器を取り外す際は、電源コードではなくプラグを引いてください。
6. バッテリー充電器からバッテリーを外します。

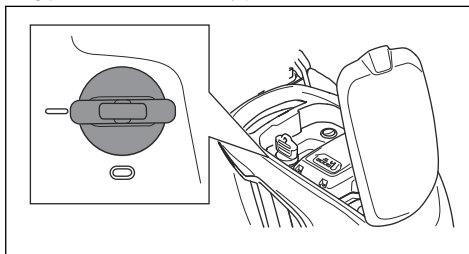
## バッテリーの充電ステータス

Husqvarna リチウムイオンバッテリーは、充電レベルに関係なく充電や使用が可能です。バッテリーは破損しません。フル充電されたバッテリーを充電器に入れたままにしてもバッテリーの電力が低減することはありません。

LED 表示	充電の状態
LED 1 が点滅	0%～25%
LED 1 が点灯、LED 2 が点滅	25%～50%
LED 1、LED 2 が点灯、LED 3 が点滅	50%～75%
LED 1、LED 2、LED 3 が点灯、LED 4 が点滅	75%～100%
LED 1、LED 2、LED 3、LED 4 が点灯。	フル充電済み

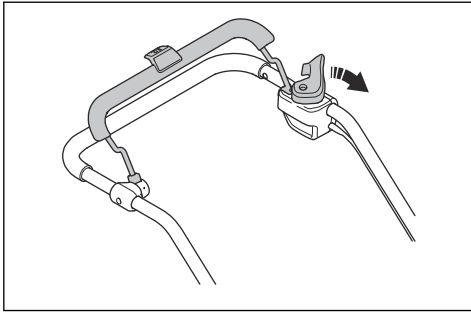
## 本製品の始動方法 (LC 247i)

1. バッテリーカバーを開けます。
2. 充電済みバッテリーをバッテリーホルダーのいずれかに入れます。動作時間を長くするには、2 つ目の充電したバッテリーをもう一方のバッテリーホルダーに入れます。
3. 安全キーを 1 に回します。

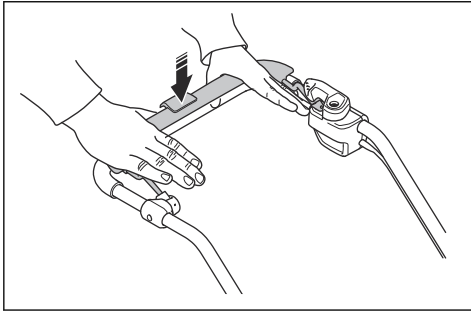


4. 製品の後ろに立ってください。

5. 始動抑制装置を緩めます。

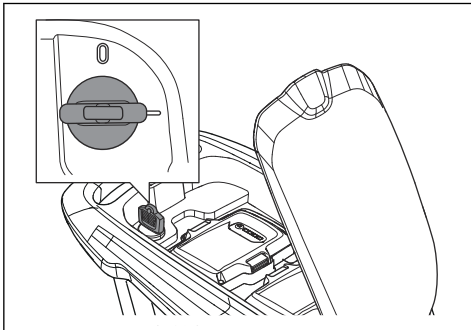


6. ハンドルバーの方向にモーターブレーキハンドルを押します。



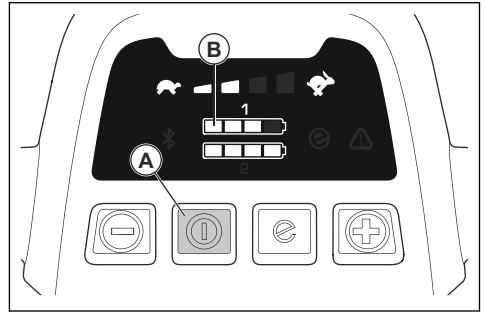
## 本製品の始動方法 (LC 347iVX, LC 353iVX)

1. バッテリーカバーを開けます。
2. 充電済みバッテリーをバッテリーホルダーのいずれかに入れます。動作時間を長くするには、2つ目の充電したバッテリーをもう一方のバッテリーホルダーに入れます。
3. 安全キーを1に回します。

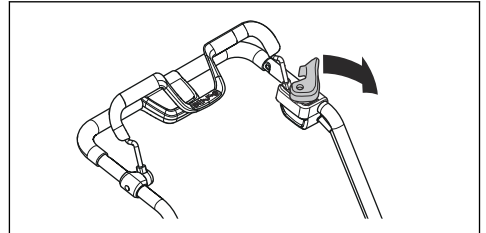


4. 製品の後ろに立ってください。

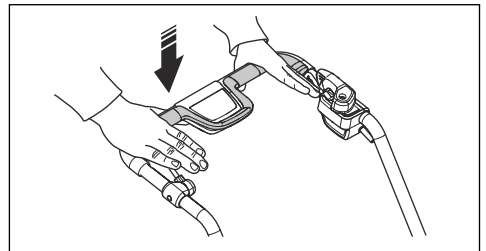
5. コントロールパネルのオン / オフボタン (A) を押します。ディスプレイが点灯します。バッテリーインジケータ (B) は、2つのバッテリーの充電状態を示します。バッテリーインジケータの横に、使用中のバッテリーの数が表示されます。モデル LC 347iVX, LC 353iVX では、設定速度もディスプレイに表示されます。



6. 始動抑制装置を緩めます。



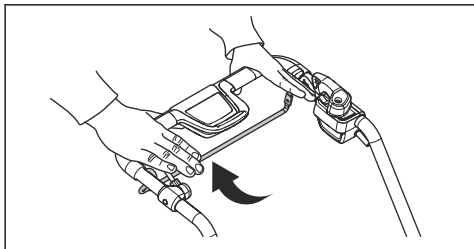
7. ハンドルバーの方向にモーターブレーキハンドルを押します。



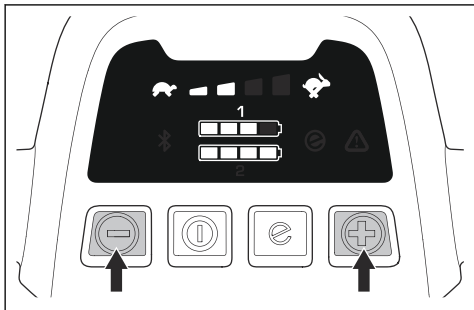


## ドライブホイールの使用 LC 347iVX, LC 353iVX

- ハンドルバーの方向にドライブペダルを引き、ドライブを始動します。



- コントロールパネルの + と - を押すことで、ドライブの速度を 4 段階に設定できます。

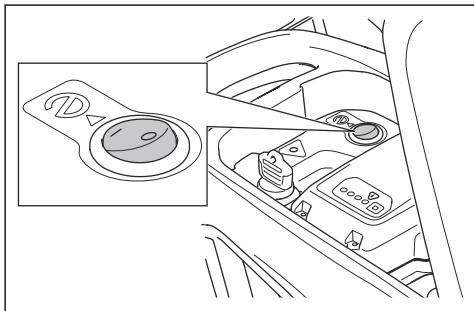


- 障害物に近づいたときなどは、ドライブペダルを放してドライブを解除します。

## SavE™ 機能の使用法 (LC 247i)

本製品には、長時間の動作を実現するバッテリー節約機能 (SavE™) が備わっています。

- SavE™ ボタンを 1 の位置に押すと、機能が始動します。



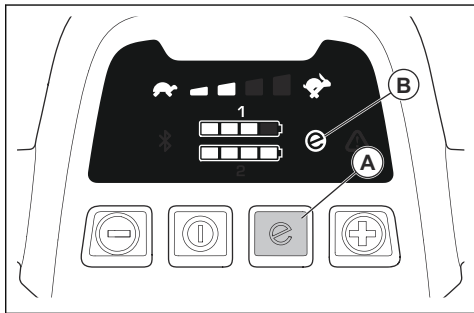
- SavE™ ボタンを 0 の位置に押すと、機能が停止します。

**注記：** 地面の状態に応じて高い出力が必要になると、SavE™ 機能は自動的に停止します。SavE™ 機能は、地面の状態により、自動的に再開されます。

## SavE™ 機能の使用法 (LC 347iVX, LC 353iVX)

本製品には、長時間の動作を実現するバッテリー節約機能 (SavE™) が備わっています。

- SavE™ ボタン (A) を押すと、この機能が始動します。ディスプレイに SavE™ マーク (B) が表示されます。
- もう一度 SavE™ ボタンを押すと、機能が停止します。ディスプレイ上の SavE™ マーク (B) が消えます。



**注記：** 地面の状態に応じて高い出力が必要になると、SavE™ 機能は自動的に停止します。SavE™ 機能は、地面の状態により、自動的に再開されます。

## 高負荷機能

長い芝や濡れた芝を刈り取るときは、モーターの回転数が自動的に増加します。高負荷が不要になると、モーターは標準モードに戻ります。

## 自動再始動

動作中、カッティングカバーの下に詰まった草などの障害物が原因で、ブレードとモーターが一時的に停止することがあります。この場合、モーターブレーキハンドルを押し下げて維持すると、本製品は自動的に再始動を試みます。5 秒以内に本製品が再始動しない場合は、カッティングカバーの下の清掃が必要になることがあります。製品の清掃方法 351 ページを参照してください。



**警告：** カッティングカバーを点検する前に、モーターブレーキハンドルを放して、安全キーを回して 0 に合わせ、バッテリーを取り外して 5 秒以上待ちます。障害物を取り除いた状態で本製品が誤って始動すると、負傷するおそれがあります。

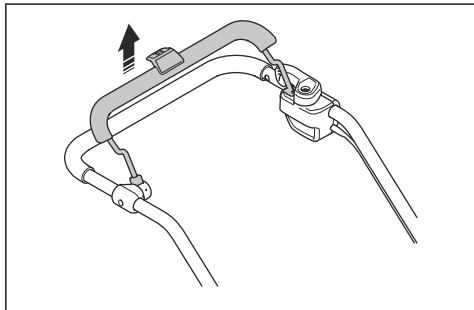


## 本製品の停止方法(LC 247i)

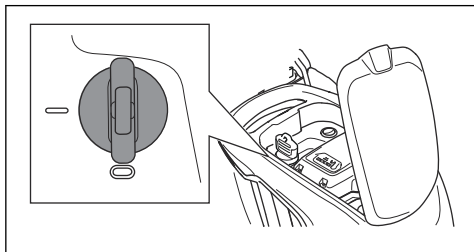


**警告：** 目の届かないところに本製品を置く場合は、安全キーを0の位置に回してください。

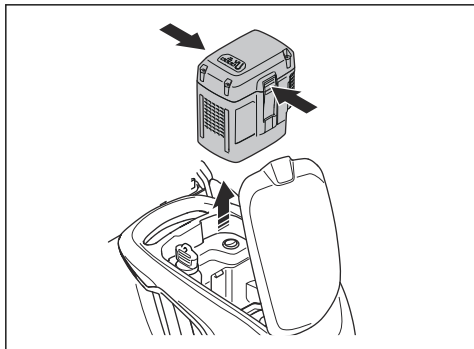
1. モーターブレーキハンドルを放すと、モーターは停止します。



2. バッテリーカバーを開いて、安全キーを0の位置に回します。



3. バッテリーを取り外すには、2つの解除ボタンを押して、バッテリーを引き出します。



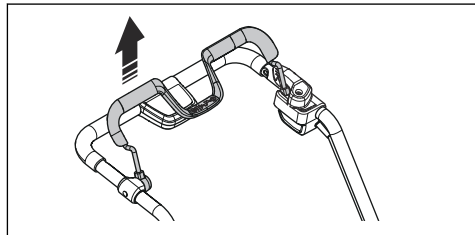
4. バッテリーの充電が不足している場合は、充電してください。詳しくは、*バッテリーの充電方法* 346 ページを参照してください。

## 本製品の停止方法(LC 347iVX, LC 353iVX)

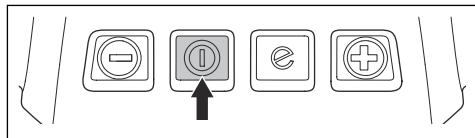


**警告：** 目の届かないところに本製品を置く場合は、安全キーを0の位置に回してください。

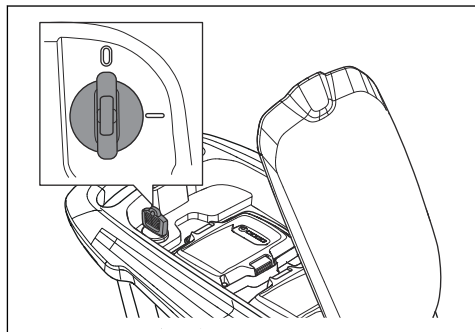
1. モーターブレーキハンドルを放すと、モーターは停止します。



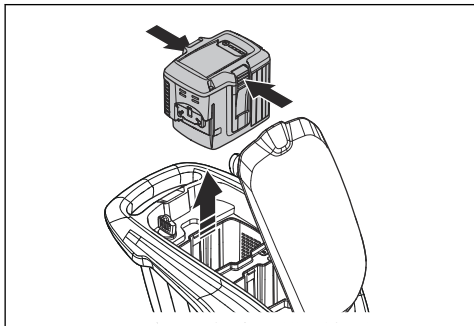
2. コントロールパネルの ON/OFF ボタンを押します。ディスプレイのすべての LED ライトとマークが消えます。



3. バッテリーカバーを開いて、安全キーを0の位置に回します。



4. バッテリーを取り外すには、2つの解除ボタンを押して、バッテリーを引き出します。



5. バッテリーの充電が不足している場合は、充電してください。詳しくは、バッテリーの充電方法 346 ページを参照してください。

**注記：** 数分間操作しないと、本製品の電源が自動的に切れます。本製品の始動については、本製品の始動方法 (LC 3471VX, LC 3531VX) 347 ページを参照してください。

## 良好に芝を刈る方法

- 必ず鋭利なブレードを使用してください。ブレードが鈍っていると、刈り取りにばらつきが出て、芝の切口が黄ばみます。鋭利なブレードを使用すると、鈍いブレードを使用した場合より労力が少なくて済みます。

- 芝の長さの  $\frac{1}{3}$  以上刈らないでください。まず刈高を高く設定して刈ります。結果を確認し、必要なレベルまで刈高を下げます。芝がかなり長い場合は、ゆっくり運転し、必要に応じて刈り取り作業を2回行ないます。
- 1回目と2回目は別の方向に向かって刈り、芝面に筋がつかないようにします。
- カッティングカバーの汚れは落としてください。カッティングカバーの内側に草や土がたまると芝刈りの結果が悪くなります。製品の清掃方法 351 ページを参照してください。

## グラスキャッチャーやマルチプラグを取り付けずに芝を刈る方法

- 後部カバーを持ち上げてグラスキャッチャーを取り外します。
- マルチプラグとマルチブレードが取り付けられている場合は、取り外します。
- 製品を操作する前に、後部カバーを閉じてください。

製品を操作すると、刈り取られた芝が後部カバーの下に排出されます。

# メンテナンス

## はじめに



**警告：** メンテナンスを行う前に、安全に関する章をお読みにになり、内容を理解してください。

本製品のすべての整備と修理作業には、特別な訓練が必要です。当社では責任をもって専門的な修理と整備作業を提供します。お客様の販売店がサービス代理店でない場合は、最寄りのサービス代理店に関する情報をお問い合わせください。

詳しくは、[www.husqvarna.com](http://www.husqvarna.com) を参照してください。

## メンテナンススケジュール

メンテナンス間隔は、本製品が毎日使用されることを前提に算出されています。本製品を毎日使用しない場合は、メンテナンス間隔が変わります。

「\*」の付いているメンテナンスについては、「安全性 337 ページ」を参照してください。

	使用した つど	毎月	季節ごと
一般点検の実施	X		
製品の洗浄	X		
始動抑制装置の点検*	X		
本製品の安全装置に不具合がないことを確認*	X		
カッティング装置の点検	X		

	使用した つど	毎月	季節ごと
カッティングカバーの点検*	X		
モーターブレーキハンドルの点検*	X		
オン / オフボタンが正しく機能し、不具合がないことを確認	X		
バッテリーに損傷がないかの点検	X		
バッテリー充電の点検	X		
バッテリーリリースボタンが正常に作動し、本製品にバッテリーをロックできるか確認	X		
バッテリー充電器に損傷がないか調べ、正しく作動することを確認します。		X	
バッテリーと本製品の接続部を点検します。バッテリーとバッテリー充電器の接続部も確認します。			X

## 一般点検の実施方法

- 製品のナットとネジが締め込まれていることを確認してください。
- 製品のケーブルが損傷しやすい場所に配置されていないことを確認してください。

## 製品の清掃方法

- プラスチック部品は清潔で乾燥した布で清掃してください。
- 本製品を水で洗淨しないでください。バッテリーやモーターに水が浸入して、本製品が短絡したり、破損したりする原因となります。
- 本製品の清掃には高圧水を使用しないでください。
- モーターに直接水をかけないでください。
- ブラシで、葉、草、土を取り除いてください。

## バッテリーとバッテリー充電器の清掃方法



**警告：** バッテリーまたはバッテリー充電器は、水で洗淨しないでください。

- バッテリーをバッテリー充電器にセットする前に、バッテリーとバッテリー充電器に汚れがなく、乾燥していることを確認してください。
- 圧縮空気を使用してバッテリー端子を清掃するか、柔らかい乾いた布で拭いてください。
- バッテリーとバッテリー充電器の表面を柔らかい乾いた布で拭いてください。

## カッティング装置の点検方法



**警告：** 誤って始動しないようにするために、安全キーを0の位置に回し、バッテリーを取り外してから最低5秒間待ってください。



**警告：** カッティング装置のメンテナンスを実施するときは、保護グローブを着用してください。ブレードは非常に鋭いため、切り傷を負う危険性があります。

- カッティング装置に損傷やひび割れがないかどうか点検してください。損傷したカッティング装置は必ず交換してください。
- ブレードが破損していないか、鈍くなっていないかを確認してください。

**注記：** ブレードの目立て後は、ブレードのバランス調整が必要です。サービスセンターに依頼して、ブレードの目立て、交換、バランス調整を受けてください。製品が障害物に当たって停止した場合は、破損したブレードを交換してください。サービスセンターに依頼して、ブレードの目立てが可能かどうか、交換が必要かどうかを判断してもらってください。

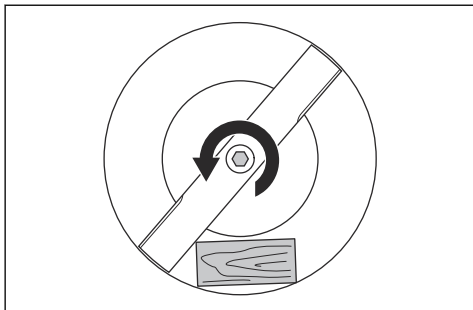
## ブレードの交換

適切なブレードのタイプについては、**主要諸元 355** ページを参照してください。

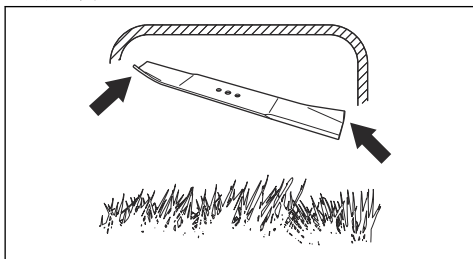


**警告：** ブレードを交換するときは、指を負傷しないようにブレードを木製ブロックでロックします。ブレードは、モーターがオフのときに動かすことができるため、ブレードと固定部品の間に指が挟まれる可能性があります。

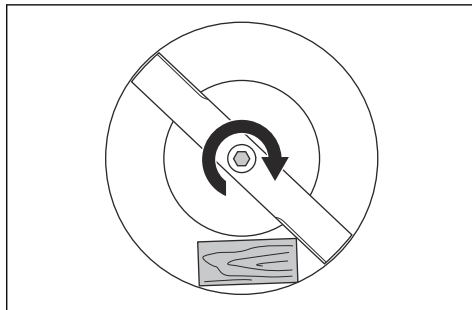
1. ブレードを木製ブロックでロックします。



2. ブレードボルトを取り外します。  
 3. ブレードを外します。  
 4. ブレードサポートとブレードボルトに破損がないかどうか点検します。  
 5. モーターシャフトが曲がっていないかどうか点検します。  
 6. 新しいブレードを取り付けるときは、角度がついたブレードの端の部分をカッティングカバー方向に向けます。



7. ブレードがモーターシャフトの中心と合っていることを確認します。  
 8. ブレードを木製ブロックでロックします。スプリングワッシャーを取り付け、ボルトとワッシャーを 23-28 Nm のトルクで締め付けます。



9. 手でブレードを引き回して、引っかかりなく回転することを確認します。



**警告：** 丈夫な作業用手袋を着用してください。ブレードは非常に鋭利なため、切り傷を負う危険性があります。

10. 製品を始動してブレードのテストを実施します。ブレードが正しく取り付けられていない場合、製品に振動が発生するか、良好な刈り取り結果を得られません。

## トラブルシューティング

### バッテリー

バッテリーの LED	原因	解決策
緑色の LED が点滅します。	バッテリーの電圧が低下しています。	バッテリーを充電してください。バッテリーの充電方法 346 ページを参照してください。
エラー LED が点滅する。	バッテリーが残りわずかです。	バッテリーを充電してください。バッテリーの充電方法 346 ページを参照してください。
	作業環境の温度が高すぎる、または低すぎる。	バッテリーは 5 °C ~ 40 °C の温度で使用してください。
	過電圧。	電源の電圧が、本製品の銘板に記載された電圧と同じかどうか確認してください。  バッテリー充電器からバッテリーを外します。5 秒待ってから、もう一度バッテリーを充電してください。問題が解決しない場合は、販売店にご相談ください。

バッテリーの LED	原因	解決策
エラー LED が点灯する。	電位差が大きすぎます ( 1 V )。	販売店にご相談ください。

## バッテリー充電器

バッテリー充電器の LED	原因	解決策
エラー LED が点滅する。	作業環境の温度が高すぎる、または低すぎる。	バッテリー充電器は 5 °C ~ 40 °C の温度で使用してください。
エラー LED が点灯する。		販売店にご相談ください。

## 芝刈機

警告インジケータ ( エラー LED ) はバッテリーリッドの下部 ( LC 247i ) またはコントロールパネル ( LC 347iVX, LC 353iVX ) にあります。

問題	エラー LED ( 点滅回数 )	原因	解決策
エラー LED が点滅している。製品が正常に動作しない。	3	ブレードのブロック。	誤って始動しないようにするために、安全キーを 0 に回します。バッテリーを取り外して 5 秒以上待ちます。障害物を取り除いて、ブレードがスムーズに回転するかを確認してください。問題が解決しない場合は、販売店にご相談ください。
	5	モーター速度が低下し、モーターが停止する。	刈高を上げてください。刈高の設定方法 345 ページを参照してください。
	6 <sup>53</sup>	ホイールまたはトランスミッションがブロックされています。	誤って始動しないようにするために、安全キーを 0 に回します。バッテリーを取り外して 5 秒以上待ちます。障害物を取り除いて、ホイールがスムーズに回転することを確認してください。問題が解決しない場合は、販売店にご相談ください。
	10	モーターコントロールが高温です。	モーターを停止し、温度が下がるまで待ちます。

<sup>53</sup> LC 347iVX, LC353iVX

問題	エラー LED (点滅回数)	原因	解決策
エラー LED が点滅している。製品が停止する。	0	バッテリーコネクターの不具合です。	バッテリーコネクタを点検します。
	3	モーターに過負荷がかかっています。	XI高を上げてください。XI高の設定方法 345 ページを参照してください。
	8	バッテリーが残りわずかです。	バッテリーを充電してください。バッテリーの充電方法 346 ページを参照してください。
	9	バッテリーのエラー、またはバッテリーからの信号がありません。	バッテリーを製品に正しく取り付け、バッテリーのコネクタを点検してください。バッテリーのエラー LED が点滅する場合は、バッテリー 352 ページを参照してください。
	12	始動の手順が間違っています。モーターが始動する前にモーターブレーキハンドルが操作されました。	モーターブレーキハンドルを放して約 5 秒待ちます。モーターブレーキハンドルを押下げて本製品を始動します。
その他のエラー。	その他のエラーが発生した場合は、安全キーを 0 に回し、バッテリーを取り外して、認定サービス代理店にお問い合わせください。		

## 搬送、保管、廃棄

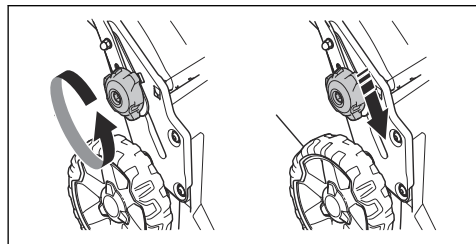
### はじめに



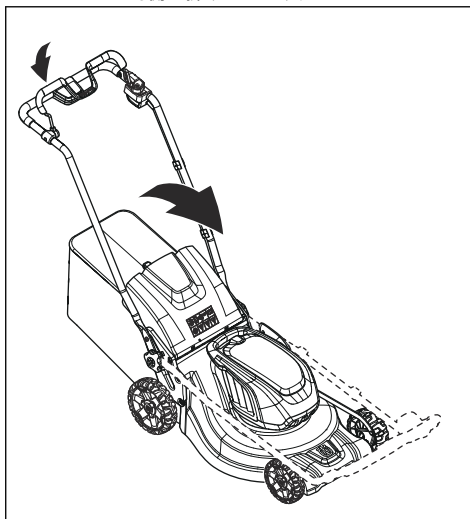
**警告：** 搬送中に誤って始動しないようにするために、安全キーを「0」の位置に回し、バッテリーを取り外してから最低 5 秒間待ってください。

### 製品を搬送位置にセットする方法

1. 下側ノブを緩めます。
2. 本製品の左右にある溝の下端までノブを動かします。



3. ハンドルを前側に折り畳みます。



4. グラスキャッチャーを取り外します。

### 搬送

- 付属のリチウムイオン電池には、危険物の規制に関する規則が適用されます。

- ・ 商用搬送においては、梱包およびラベル付けに関する特別な要件を遵守する必要があります。
- ・ 本製品の搬送準備をする際は、危険物に関する規制を遵守していることを確認してください。地域の規制が適用されることがあります。
- ・ 搬送時は常にバッテリーを外してください。
- ・ バッテリーのコネクタにテープを貼り、搬送中にバッテリーが動かないようにしてください。
- ・ 搬送中、本製品を固定してください。

## 保管

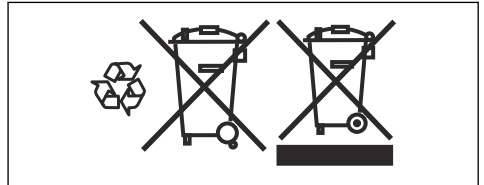
- ・ 保管する前に本製品を冷ましてください。
- ・ 保管時は常にバッテリーを外してください。
- ・ 事故防止のため、保管時はバッテリーが本製品に接続されていないことを確認してください。
- ・ バッテリー充電器は、密閉された乾燥した場所に保管してください。
- ・ 湿気や霜が発生しない乾燥した場所に、バッテリーとバッテリー充電器を保管してください。
- ・ 保管時は、バッテリーをバッテリー充電器から取り外してください。
- ・ 静電気が発生するような場所にはバッテリーを保管しないでください。バッテリーは金属製の箱に保管しないでください。
- ・ 本製品は、周囲温度が  $-10^{\circ}\text{C}$  ~  $40^{\circ}\text{C}$  の場所に保管してください。
- ・ バッテリーは、周囲温度が  $5^{\circ}\text{C}$  ~  $25^{\circ}\text{C}$  の環境で直射日光に当たらない場所に保管してください。
- ・ バッテリー充電器は、周囲温度  $5^{\circ}\text{C}$  ~  $45^{\circ}\text{C}$  の環境で直射日光に当たらない場所に保管してください。
- ・ バッテリーを長期間保管する前に、バッテリー充電量を 30% ~ 50% にしてください。

- ・ 製品、バッテリー、バッテリー充電器は、鍵のかかる場所に保管し、子供や許可されていない人の手が届かないようにしてください。
- ・ 本製品を清掃し、グラスキャッチャーが空であることを確認します。
- ・ 取扱説明書に記載されているメンテナンスを実施してください。メンテナンス 350 ページを参照してください。
- ・ 本製品を長期間保管する前に、完全なメンテナンスを実行してください。

## 廃棄

本製品や本製品パッケージ上のマークは、本製品が家庭ゴミとして取り扱われてはならないことを示します。電気・電子機器の再利用を行うため、適切なりサイクル営業所に引き渡す必要があります。

以上を遵守することで、本製品は正しく処理され、本製品を不適切に廃棄した場合に環境や人に与えられる悪影響を防止することができます。本製品のリサイクルについての詳細は、あなたの所在する地区の地方自治体、廃棄物処理サービス、本製品を購入した代理店に連絡してください。



## 主要諸元

### 主要諸元

	LC 247i	LC 347iVX	LC 353iVX
<b>カッティングモーター</b>			
モータータイプ	BLDC ( ブラシレス ) 36 V	BLDC ( ブラシレス ) 36 V	BLDC ( ブラシレス ) 36 V
モーター速度 - SavE、r/min	2600 / 分	2600 / 分	2600 / 分
モーター速度 - 標準、r/min	3000 / 分	3000 / 分	3000 / 分
モーター速度 - 高負荷、r/min	3500 / 分	3500 / 分	3500 / 分
モーター出力 - 最大、kW	0.96	0.96	1.05
モーター出力 - 公称、kW	0.75	0.75	0.9
<b>駆動モーター</b>			
モーター出力 - 公称、kW	なし	0.25	0.25
自走速度、km/h	なし	3.0-4.5	3.0-4.5
速度調整レベル	なし	4	4

	LC 247i	LC 347iVX	LC 353iVX
<b>質量</b>			
質量 ( バッグなし、バッテリーを除く ) kg	24.5	26	28
重量 ( バッグあり、BLi30 x 2 ) kg	30.5	32.0	34.5
<b>バッテリー</b>			
バッテリーの種類	Husqvarna バッテリーシリーズ		
<b>バッテリー稼働時間</b>			
バッテリー稼働時間、分、( 無負荷 ) SavE ( セーブイー ) オン、Husqvarna 製 7.7 Ah バッテリー ( BLi30 ) 1 個の場合	62	62	46
バッテリー稼働時間、分、( 無負荷 ) 標準モードオン、Husqvarna 製 7.7 Ah バッテリー ( BLi30 ) 1 個の場合	43	43	28
<b>騒音排出</b> <sup>54</sup>			
音響パワーレベル、測定 dB ( A )	94	94	97
音響パワーレベル、保証 L <sub>WA</sub> dB ( A )	95	95	98
<b>音量レベル</b> <sup>55</sup>			
使用者の耳における音圧レベル、dB ( A )	82	82	86
<b>振動レベル</b> <sup>56</sup>			
ハンドル、m/s <sup>2</sup>	0.42	0.42	2.64
<b>カッティング装置</b>			
刈高、mm	20-75 mm	20-75 mm	20-75 mm
刈幅、cm	47	47	53
ブレード基準	コレクト 5905934-10	コレクト 5905934-10	コレクト 5940757-10
ブレードアクセサリ	マルチ 5907010-10	マルチ 5907010-10	マルチ 5950072-10
グラスキャッチャーの容量、リットル	55	55	60

Bluetooth® の無線周波数データ	LC 247i	LC 347iVX	LC 353iVX
周波数帯、GHz	なし	2.4-2.4835	2.4-2.4835
出力電力、最大 dBm	なし	4	4

<sup>54</sup> 環境における騒音の排出は、EC 指令 2000/14/EC に従って、音響パワー ( L<sub>WA</sub> ) として測定。

<sup>55</sup> 報告データによれば、騒音圧力レベルの不確定性係数 ( K ) は 1.5 dB ( A ) です。

<sup>56</sup> 報告データによれば、振動レベルの不確定性係数 ( K ) は 1.5 m/s<sup>2</sup> です。公称振動合成値は規格 EN 62841-4-3、付録 I に則って測定されており、装置間の比較および振動暴露の予備評価に使用できます。



認可されたバッテリー	型式	バッテリー容量、Ah	電圧、V	質量、ポンド / kg
BLi20	リチウムイオン	4.0	36	2.6/1.2
BLi30	リチウムイオン	7.7	36	4.2/1.9

指定バッテリーに適合する認定充電器、BLi	入力電圧、V	周波数、Hz	電力、W
QC80	100 ~ 240	50/60	80
40-C80	100 ~ 240	50/60	68.8
QC250	100 ~ 240	50/60	250

# 適合宣言

## EU 適合宣言

ハスクバーナ社(Husqvarna AB, SE-561 82 Huskvarna, Sweden、電話番号：+46-36-146500 は、単独責任のもとで、以下の製品の適合を宣言します。

名称	芝刈機
ブランド	Husqvarna
タイプ / モデル	LC 247i
ID	2021 年以降の製造番号

が以下の EU 指令および規制を完全に順守し、

指令 / 規制	名称
2006/42/EC	「機械類に関する」
2014/30/EU	「電磁環境適合性に関する」
2000/14/EC	「環境への騒音排出に関する」
2011/65/EU	「電気・電子製品に含まれる特定有害物質の使用制限に関する」

および以下の規格または技術仕様が適用されています。  
EN 62841-1:2015+AC:2015, EN 62841-4-3:2021+A11:2021, EN ISO 12100:2010, EN 55014-1:2017+A11:2020, EN 55014-2:2015, EN IEC 63000:2018。

試験機関：0404, RISE SMP Svensk Maskinprovning AB, Box 7035, SE-750 07 Uppsala が評議会指令 2000/14/EC 適合性評価補足 VI の準拠を確認しました。。

騒音排出に関する詳細は、「主要諸元 355 ページ」を参照してください。

Huskvarna, 2021-12-01



開発マネージャー / ガーデン製品担当 Claes Losdal,  
Husqvarna AB

正式代表兼技術文書担当



## EU 適合宣言

ハスクバーナ社(Husqvarna AB, SE-561 82 Huskvarna, Sweden、電話番号：+46-36-146500 は、単独責任のもとで、以下の製品の適合を宣言します。

名称	芝刈機
ブランド	Husqvarna
タイプ / モデル	LC 347iVX, LC 353iVX
ID	2021-12-01 年以降の製造番号

が以下の EU 指令および規制を完全に順守し、

指令 / 規制	名称
2006/42/EC	「機械類に関する」
2014/53/EU	「無線機器に関する」
2000/14/EC	「環境への騒音排出に関する」
2011/65/EU	「電気・電子製品に含まれる特定有害物質の使用制限に関する」

および以下の規格または技術仕様が適用されています。  
EN 62841-1:2015+AC:2015, EN 62841-4-3:2021+A11:2021, EN ISO 12100:2010, EN 55014-1:2017+A11:2020, EN 55014-2:2015, EN IEC 63000:2018, EN ETSI 300 328 v.2.2.2, EN 50663: 2017, ETSI EN 301 489-1 V2.2.3, ETSI EN 301 489-17 V3.2.4.

試験機関：0404, RISE SMP Svensk Maskinprovning AB, Box 7035, SE-750 07 Uppsala が評議会指令 2000/14/EC 適合性評価補足 VI の準拠を確認しました。。

騒音排出に関する詳細は、「主要諸元 355 ページ」を参照してください。

Huskvarna, 2021-12-01



開発マネージャー / ガーデン製品担当 Claes Losdal, Husqvarna AB

正式代表兼技術文書担当



---

## 登録商標

---

Bluetooth® マークとロゴは、Bluetooth SIG, inc. が所有する登録商標です。当該マークの使用について、Husqvarna は、ライセンスの許諾を受けています。

---

## TURINYS

---

Įvadas.....	360	Gedimai ir jų šalinimas.....	377
Sauga.....	362	Transportavimas, saugojimas ir utilizavimas.....	379
Surinkimas.....	368	Techniniai duomenys.....	380
Naudojimas.....	369	Atitikties deklaracija.....	383
Techninė priežiūra.....	375	Registruotieji prekiniai ženklai.....	384

---

## Įvadas

---

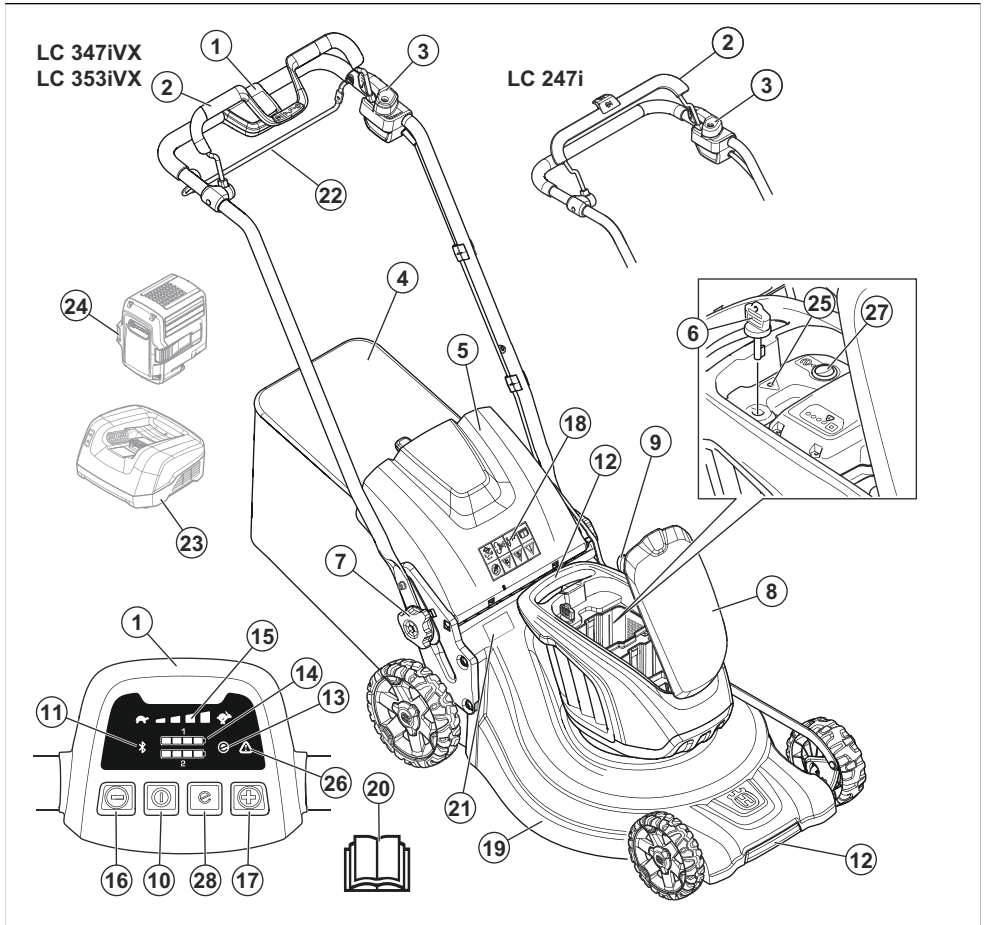
### Gaminio aprašas

Šis produktas yra savaeigė sukamoji vejapjovė. Žolė renkama į žolės rinktuvą. Jei norite, kad žolė būtų išmetama per galą, išimkite žolės rinktuvą. Jei žolę norite susmulkinti kaip trąšas, pridėkite mulčiavimo priedą.

### Numatytasis naudojimas

Gaminį naudokite žolei pjauti. Nenaudokite gaminio kitiems darbams.

## Gaminio apžvalga



- |  |  |
|--|--|
| 1. Valdymo skydelis (LC 347iVX, LC 353iVX)         | 16. Greičio mažinimo mygtukas (LC 347iVX, LC 353iVX) |
| 2. Variklio stabdymo rankena                       | 17. Greičio didinimo mygtukas (LC 347iVX, LC 353iVX) |
| 3. Apsauga nuo netyčinio užvedimo                  | 18. Ženkliai   |
| 4. Žolės rinktuvas                                 | 19. Pjovimo gaubtas                                  |
| 5. Galinis gaubtas                                 | 20. Naudojimo instrukcija                            |
| 6. Apsauginis raktelis                             | 21. Nominaliųjų parametų plokštelė                   |
| 7. Rankenėlė                                       | 22. Pavaros rankena (LC 347iVX, LC 353iVX)           |
| 8. Akumuliatoriaus gaubtas                         | 23. Akumuliatoriaus įkroviklis (priedas)             |
| 9. Pjovimo aukščio valdiklis                       | 24. Akumuliatorius (priedas)                         |
| 10. Mygtukas ON/OFF (įjungti / išjungti)           | 25. Klaidos diodas (LC 247i)                         |
| 11. Bluetooth® belaidės technologijos indikatorius | 26. Klaidos diodas (LC 347iVX, LC 353iVX)            |
| 12. Kėlimo rankenos                                | 27. „SaveE“ mygtukas (LC 247i)                       |
| 13. „SaveE“ indikatorius                           | 28. „SaveE“ mygtukas (LC 347iVX, LC 353iVX)          |
| 14. Akumuliatoriaus indikatorius                   |  |
| 15. Greičio indikatorius (LC 347iVX, LC 353iVX)    |  |

## Simboliai ant gaminio



ĮSPĖJIMAS



Perskaitykite instrukcijas.



ĮSPĖJIMAS – saugokitės išsviestų objektų.



Pašaliniai asmenys turi laikytis atokiau.



ĮSPĖJIMAS – saugokite rankas bei kojas ir nekiškite jų prie peilių.



ĮSPĖJIMAS – prieš atlikdami techninę apžiūrą atjunkite akumuliatorių.



Gaminys ar gaminio pakuotė nepriskiriami buitinėms atliekoms. Nuvežkite jį į elektros ir elektronikos įrenginių perdirbimo punktą.



Šis gaminys atitinka taikomas EB direktyvas.



Į aplinką skleidžiamo triukšmo etiketė atitinka ES ir JK direktyvas bei reglamentus. Gaminio garantuotasis garso galios lygis nurodytas *Techniniai duomenys psl. 380* ir etiketėje.

## IPX1

Gaminys apsaugotas nuo lašėjimo.



Norėdami sustabdyti, atleiskite variklio stabdymo rankeną.



Nuskaitymas kodas

**Pasižymėkite:** Kiti ant gaminio pateikti simboliai (etiketės) skirti kai kurių rinkų sertifikavimo reikalavimams.

## Etiketė ant gaminio



PAVOJINGA – rankas ir kojas laikykite toliau

## Atsakomybė už gaminį

Kaip nurodyta atsakomybės už gaminį įstatymuose, mes nesame atsakingi už mūsų gaminio sukeltą žalą, jei:

- gaminys netinkamai suremontuotas;
- gaminys suremontuotas naudojant kito gamintojo arba gamintojo nepatvirtintas dalis;
- gaminys turi kito gamintojo arba gamintojo nepatvirtintą priedą;
- gaminys suremontuotas ne patvirtintame techninės priežiūros centre arba jį suremontavo ne patvirtintas atstovas.

## Sauga

### Saugos ženklų reikšmės

Įspėjimai, perspėjimai ir pastabos yra skirtos atkreipti dėmesį į ypač svarbias vadovo dalis.



**PERSPĖJIMAS:** Naudojamas, kai naudotojui ar šalia esantiems asmenims kyla mirtino arba sunkaus sužeidimo pavojus

arba, jei nesilaikoma vadove pateiktų nurodymų.



**PASTABA:** Naudojamas, kai kyla pavojus sugadinti gaminį, kitas medžiagas arba padaryti žalą aplinkai, jei nesilaikoma vadove pateiktų nurodymų.

**Pasižymėkite:** Naudojamas papildomai informacijai apie konkrečią situaciją pateikti.

## Bendrieji gaminio saugos įspėjimai



**PERSPĖJIMAS:** Perskaitykite visus saugos įspėjimus, instrukcijas, iliustracijas ir specifikacijas, pateikiamas su šiuo gaminiu. Nesilaikydami toliau nurodytų instrukcijų galite sukelti gaisrą, gauti elektros smūgį ir (ar) rimtai susižeisti.

Saugokite visus įspėjimus ir instrukcijas, nes jų gali prireikti vėliau. Terminas „gaminys“ įspėjimuose reiškia iš elektros tinklo maitinamą (laidinį) gaminį arba akumuliatoriumi maitinamą (belaidį) gaminį.

### Sauga darbo vietoje

- **Darbo vieta turi būti švari ir gerai apšviesta.** Netvarkingose arba tamsiose darbo vietose dažnai įvyksta nelaimės.
- **Nenaudokite gaminio sprogiose aplinkose, pavyzdžiui, ten, kur yra degių skysčių, dujų arba dulkių.** Gaminys kibirkščiuoja, todėl gali užsiliepsnoti dulkės arba garai.
- **Naudodami gaminį, neleiskite arkl būti vaikams ir pašalinams asmenims.** Išsiblaškę galite prarasti įrenginio kontrolę.

### Elektrosauga

- **Gaminį kištukai turi atitikti elektros lizdus. Niekada nebandykite koku nors būdu perdaryti kištuko. Jei naudojate įžemintus gaminius, nenaudokite jokių kištukų adapterių.** Jeigu kištukai nėra perdaryti ir atitinka elektros lizdus, elektros smūgio pavojus yra mažesnis.
- **Nesilieskite prie elektros laidininkų paviršių, pavyzdžiui, vamzdžių, radiatorių, viryklių ir šaldytuvų.** Jei kūnas taps elektros laidininku, iškilis elektros smūgio pavojus.
- **Nelaikykite gaminį lietuje arba drėgnoje aplinkoje.** Į gaminį patekęs vanduo padidina elektros smūgio pavojų.
- **Tinkamai naudokite laidą. Niekada neneškite gaminio laikydami už laido, netraukite jo ir nebandykite traukdami už jo ištraukti kištuką. Laikykite laidą atokiai nuo šilumos šaltinių, tepalų, aštrių briaunų ar judančių dalių.** Dėl pažeistų arba susipainiojusių laidų padidėja elektros smūgio rizika.
- **Jei gaminį naudojate lauke, naudokite lauke skirtą naudoti ilgintuvą.** Naudojant lauke skirtą naudoti ilgintuvą, sumažėja elektros smūgio rizika.
- **Jeigu gaminį būtina naudoti drėgnoje aplinkoje, naudokite lietašiosios srovės įtaisų (LSĮ) apsaugotą maitinimo šaltinį.** Naudojant LSĮ, sumažėja elektros smūgio pavojus.

### Asmens sauga

- **Naudodami gaminį būkite budrūs, stebėkite savo veiksmus ir vadovaukitės sveiku protu. Nenaudokite gaminio, jei esate pavargę, apsvaigę nuo narkotikų, alkoholio arba vaistų.** Dirbant gaminiu netgi akimirksnis neatidumo gali tapti sunkaus sužeidimo priežastimi.
- **Naudokite asmenines apsaugines priemones. Visuomet užsidėkite akių apsaugos priemones.** Dėl atitinkamomis sąlygomis naudojamų apsauginių priemonių, pavyzdžiui, respiratorių, neslystančių apsauginių batų, šalmo arba apsauginių ausinių, sumažėja sužeidimų rizika.
- **Saugokitės atsitiktinio įsijungimo. Prieš prijungdami gaminį prie maitinimo šaltinio ir (arba) akumuliatorių bloko, paimdami arba nešdami įrenginį, įsitikinkite, kad jungiklis yra išjungimo padėtyje.** Jei nešite gaminius laikydami pirštą ant jungiklio ar prijungsite jį prie maitinimo šaltinio, kai jungiklis yra įjungimo padėtyje, gali įvykti nelaimingas atsitikimas.
- **Prieš įjungdami gaminį, pašalinkite iš jo visus reguliavimo raktus ar veržliarakčius.** Besisukančiose gaminio dalyse paliktas veržliaraktis arba raktas gali sužeisti.
- **Per plačiai neužsimokite. Visada tvirtai stovėkite ant kojų ir laikykite pusiausvyrą.** Tokiu būdu geriau kontroliuosite gaminį netikėtose situacijose.
- **Apsirenkite tinkamai. Niekada nedėvėkite palaidų drabužių ar papuošalų. Nelaikykite plaukų ir drabužių arli judančių dalių.** Palaidi drabužiai, papuošalai arba ilgi plaukai gali įkliūti į judančias dalis.
- **Jeigu naudojate įtaisus, skirtus dulkių surinkimo įrenginiams prijungti, įsitikinkite, kad jie tinkamai prijungti ir naudojami.** Naudojant dulkių surinkimo įrenginius, sumažėja su dulkelėmis susijusių pavojų rizika.
- **Įgudę naudotis gaminiiais ir prie jų pripratę nenustokite paisyti gaminų saugos principų.** Dėl neatsargių veiksmų galite sunkiai susižeisti vos per akimirką.

### Gaminio naudojimas ir priežiūra

- **Dirbdami su gaminiu nenaudokite jėgos. Naudokite savo darbu tinkamą gaminį.** Naudojant numatytam tikslui skirtą gaminį, darbas bus atliktas saugiau ir greičiau.
- **Jeigu paspaudus jungiklį gaminys neįsijungia arba neišsijungia, nenaudokite jo.** Gaminys, kurio nepavyksta tinkamai valdyti jungikliu, kelia pavojų ir turi būti pataisytas.
- **Prieš reguliuodami gaminį, keisdami priedus arba padėdami saugoti gaminius, ištraukite maitinimo laido kištuką iš elektros maitinimo šaltinio ir (arba) išimkite akumuliatorių bloką iš gaminio, jei tai įmanoma.** Laikantis šių prevencinių saugos priemonių, sumažėja netyčinio gaminio įjungimo rizika.
- **Nenaudojamus gaminius laikykite vaikams nepasiekiamoje vietoje ir neleiskite naudoti gaminio**

asmenims, kurie nemoka juo naudotis arba nėra susipažinę su šiomis instrukcijomis. Nekvalifikuotų naudotojų rankose gaminiai yra pavojingi.

- **Prižiūrėkite gaminius ir jų priedus. Patikrinkite, ar sureguliuotos ir nestringa judančios dalys, ar nėra sulūžusių dalių ir kitų veiksmų, kurie gali daryti įtaką gaminio veikimui. Jei gamins sugedęs, prieš naudodami jį sutaisykite.** Daug nelaimingų atsitikimų įvyksta dėl netinkamai prižiūrimų gaminių.
- **Pjovimo įrankiai turi būti pagalasti ir švarūs.** Tinkamai prižiūrėti pjovimo įrankiai su aštriomis pjovimo briaunomis rečiau užstringa ir juos paprasčiau valdyti.
- **Gaminį, priedus, antgalius ir pan. naudokite taip, kaip nurodyta šiose instrukcijose, atsižvelgdami į darbo sąlygas ir atliekamą darbą.** Naudodami gaminį ne pagal paskirtį, galite sukelti pavojų.
- **Rankenos ir laikomieji paviršiai visuomet turi būti sausi ir švarūs (neištepti alyva ar tepalais).** Slidžios rankenos ir laikymosi paviršiai neleidžia saugiai valdyti ir kontroliuoti gaminio netikėtose situacijose.

## Techninė priežiūra

- **Gaminio techninę priežiūrą privalo atlikti kvalifikuotas remonto specialistas, naudodamas tik tokias pačias pakaitines dalis.** Tokiu būdu bus užtikrinta gaminio sauga.
- **Niekada neatlikite pažeistų akumuliatorių blokų techninės priežiūros.** Akumuliatorių blokų techninę priežiūrą gali atlikti tik gamintojas arba įgalioti paslaugų teikėjai.

## Akumuliatorių įrankių naudojimas ir priežiūra

- **Akumuliatorius kraukite tik gamintojo nurodytu įkrovikliu.** Įkroviklis, tinkamas vienam akumuliatorių blokui, gali sukelti gaisro pavojų, naudojamas kitam akumuliatorių blokui įkrauti.
- **Gaminius naudokite tik su jiems skirtais akumuliatorių blokais.** Naudojant bet kokį kitą akumuliatorių bloką kyla sužeidimo ir gaisro pavojus.
- **Nenaudojamą akumuliatorių bloką laikykite toliau nuo metalinių daiktų, galinčių sukurti jungtį tarp gnybtų, pavyzdžiui sąvaržėlių, monetų, raktų, vinių, varžtų ir kitų smulkių metalinių daiktų.** Trumpai sujungus akumuliatoriaus gnybtus gali kilti gaisras arba galite nudegti.
- **Esant nepalankioms sąlygoms, iš akumuliatoriaus gali imti tekėti skystis. Nelieskite jo. Ant odos netyčia patekusį skystį nuplaukite vandeniu. Skysčiai patekus į akis kreipkitės medicininės pagalbos.** Iš akumuliatoriaus ištekėjęs skystis gali sudirginti arba nudeginti.
- **Nenaudokite pažeisto arba modifikuoto akumuliatorių bloko arba įrankio.** Naudojant pažeistus ar modifikuotus akumuliatorius, jų veikimas gali būti neprognozuojamas ir jie gali sukelti gaisrą, sprogingą ar sužaloti.
- **Saugokite akumuliatorių bloką arba įrankį nuo ugnies ir didelės temperatūros.** Sąlytis su ugnimi arba 130 °C (265°F) temperatūra gali sukelti sprogingą.

- **Laikykitės visų įkrovimo nurodymų ir neįkraukite akumuliatorių bloko ar įrankio, esant nurodytame diapazone neišsitenkančiai temperatūrai.** Netinkamai įkraunant arba esant nurodytame diapazone neišsitenkančiai temperatūrai gali būti pažeistas akumuliatorius ir padidėti gaisro tikimybė.

## Vejapjovės saugos įspėjimai

- **Nenaudokite vejapjovės blogomis oro sąlygomis, ypač jei yra žaibo pavojus.** Taip sumažinsite pavojų būti nutrenktiems žaibo.
- **Kruopščiai apžiūrėkite plotą, kuriame bus naudojama vejapjovė, ar nėra laukinių gyvūnų.** Veikianti vejapjovė gali juos sužeisti.
- **Nuodugnai patikrinkite vietą, kur bus naudojama vejapjovė, ir pašalinkite akmenis, pagalius, vielas, kaulus ir kitus pašalinius objektus.** Išsviedžiami daiktai gali sužaloti.
- **Prieš naudodami vejapjovę, apžiūrėkite peilį ir peilio agregatą, kad jie nebūtų pažeisti ar susidėvėję.** Dėl susidėvėjusių ar apgadintų dalių didėja sužeidimo pavojus.
- **Prieš naudodami patikrinkite, ar nepažeisti ir nesusidėvėję maitinimo laidas ir ilgutavas.** Nenaudokite vejapjovės, jei laidas pažeistas arba nusidėvėjęs. Jei laidas pažeistas ar nusidėvėjęs dėl naudojimo, išjunkite vejapjovę ir nelieskite laido, kol jis nebus atjungtas nuo maitinimo šaltinio. Dėl pažeisto maitinimo laido arba ilgutuvo gali kilti elektros smūgis, gaisras ir (arba) galima sunkiai susižaloti.
- **Nuolat tikrinkite, ar žolės rinktuvas nesusidėvėjo ir nėra sugadintas.** Susidėvėjęs arba pažeistas žolės rinktuvas gali didinti sužeidimų pavojų.
- **Apsaugos turi būti savo vietoje. Apsaugos turi atlikti savo funkciją ir būti tinkamai sumontuotos.** Atsilaisvinusi, pažeista arba netinkamai veikianti apsauga gali sužaloti dirbantįjį.
- **Visos aušinimo oro tiekimo angos turi būti švarios.** Užsikimšusios oro tiekimo angos ir nešvarumai gali sukelti perkaitimo arba gaisro pavojų.
- **Dirbdami su vejapjove visada avėkite neslystančius ir apsauginius batus.** Nenaudokite vejapjovės basi arba avėdami atvirą avalynę. Tokiu būdu sumažinsite pavojų susižeisti kojas dėl kontakto su judančiu peiliu.
- **Dirbdami su vejapjove, visada mūvėkite ilgas kelnes.** Dirbant atidengta oda, didėja tikimybė susižeisti dėl išsviedžiamų objektų.
- **Nenaudokite vejapjovės drėgnoje žolėje. Elkite, niekada nebėkite.** Tokiu būdu sumažės pavojus paslysti ir nugrūti, tad išvengsite sužalojimų.
- **Nenaudokite vejapjovės ant pemelyg stačių šlaitų.** Tokiu būdu sumažės pavojus nesuvaldyti įrenginio, paslysti ir nugrūti, tad išvengsite sužalojimų.
- **Dirbdami šlaituose visada įsitikinkite, kad tvirtai stovite, šlaitu visada kilkite horizontaliai, niekada nedirbkite judėdami aukštyn ir žemyn, būkite ypač atsargūs keisdami judėjimo kryptį.** Tokiu būdu



sumažės pavojus nesuvaldyti įrenginio, paslysti ir nugriūti, tad išvengsite sužalojimų.

- **Apgreždami arba traukdami veļapjovę į save, būkite itin atsargūs. Visada stebėkite aplinką.** Taip sumažėja pavojus dirbant apvirsti.
- **Saugokite maitinimo laidą toliau nuo pjovimo peilių.** Dėl pažeisto maitinimo laido gali kilti elektros smūgis, gaisras ir (arba) galima sunkiai susižaloti.
- **Jeigu laidas įspainiojęs arba pažeistas, išjunkite įrenginį ir ištraukite kištuką iš maitinimo tinklo.** Jeigu laidas įspainiojęs arba pažeistas, gali padidėti elektros smūgio pavojus.
- **Nelieskite peilių ir kitų pavoļingų judančių dalių, kol jos vis dar juda.** Taip sumažės pavojus susižaloti dėl judančių dalių.
- **Valydamis užstrigusią medžiagą arba valydami veļapjovę, įsitinkinkite, kad visi maitinimo jungikliai išjungti ir elektros laidas atjungtas.** Veļapjovę pradėjus netikėtai veikti, galima sunkiai susižaloti.

### Liekamosios srovės įtaisais

- Liekamosios srovės įtaisais naudokite, kai išjungimo srovė ne didesnė nei 30 mA.

### Bendrieji saugos nurodymai



**PERSPĖJIMAS:** Prieš naudodami gaminį, perskaitykite toliau esančius įspėjimus.

- Netinkamai arba neatidžiai naudojant šis gaminys yra pavoļingas. Jei nesilaikysite saugos nurodymų, kyla sužeidimų arba mirties pavojus.
- Šis gaminys veikdamas sukuria elektromagnetinį lauką. Tam tikromis aplinkybėmis šis laukas gali trukdyti aktyviųjų arba pasyviųjų medicininių implantų veiklą. Kad sumažėtų sunkių ar mirtinų sužeidimų pavojus, medicininių implantų turintiems asmenims rekomenduojame prieš naudojant šį gaminį pasitarti su gydytoju ir implanto gamintoju.
- Visada elkitės atsargiai ir vadovaukitės sveiku protu. Jei tiksliai nežinote, kaip naudoti gaminį konkrečioje situacijoje, sustabdykite darbą ir prieš tęsdami darbą pasitarkite su „Husqvarna“ pardavimo atstovu.
- Atminkite, kad už nelaimingus atitikimus, kurių metu nukentės asmenys ar turtas, bus atsakingas naudotojas.
- Rūpinkitės gaminio švara. Įsitinkinkite, kad galite aiškiai perskaityti ženklus ir lipdukus.
- Neleiskite vaikams bei suaugusiesiems, nesusipažinusiems su instrukcijomis, naudotis įrenginiu. Gali būti, kad pagal vietos teisės aktus ribojamas naudotojo amžius.
- Visada prižiūrėkite gaminį naudojantį fizinę arba protinę negalią turintį asmenį. Būtinai nuolatine atsakingo suaugusiojo priežiūra.
- Nedirbkite su gaminiu, jeigu esate pavargę, sergate arba esate apsvaigę nuo alkoholio, narkotinių

medžiagų ar vaistų. Tai neigiamai veikia jūsų regėjimą, nuovoką ar koordinaciją.

- Nedirbkite su gaminiu, jei jis yra sugadintas.
- Nekeiskite gaminio ir nenaudokite jo, jei jį galėjo pakeisti kiti.

### Darbo sauga



**PERSPĖJIMAS:** Prieš naudodami gaminį, perskaitykite toliau esančius įspėjimus.

- Gaminį naudokite tik veļų žolei pjauti. Neleidžiama jo naudoti kitoms užduotims atlikti.
- Naudokite asmenines apsaugines priemones. Žr. *Asmeninės apsauginės priemonės psl. 366*.
- Įsitinkinkite, kad žinote, kaip greitai sustabdyti variklį nelaimės atveļiu.
- Nenaudokite gaminio lietuje arba drėgnoje aplinkoje. Į gaminį patekus vandens, padidėja elektros smūgio pavojus.
- Nenaudokite gaminio tinkamai neuždengę peilio ir neuždėję kitų dangčių. Netinkamai uždėtas peilis gali atsilaisvinti ir sužeisti.
- Užtikrinkite, kad peilis neatsitrenktų į tokius objektus, kaip akmenys ir šaknys. Tai gali sugadinti peilį ir sulenkti variklio veleną. Sulenkta ašis sukelia didelę vibraciją ir kyla didžiulis pavojus, kad peilis atsilaisvins.
- Jei į peilį atsitrenkia objektas arba susidaro vibracijos, nedelsdami sustabdykite gaminį. Išjunkite variklį, pasukite apsauginį raktelį į padėtį „0“ ir išimkite akumuliatorių. Palaukite, kol judančios dalys sustos. Patikrinkite, ar gaminys neapgadintas. Priveržkite atsilaisvinusias dalis. Pataisykite pažeidimus ir pakeiskite pažeistas dalis. Taisyimo darbus leiskite atlikti įgaliotam techninės priežiūros atstovui.
- Niekada nepritvirtinkite variklio stabdymo rankenos prie rankenos visam laikui, kai variklis veikia.
- Padėkite gaminį ant stabilaus, plokščio paviršiaus ir paleiskite jį. Patikrinkite, ar peilis noliečia žemės ar kokių kitų daiktų.
- Visada būkite už gaminio, kai jį naudojate.
- Prižiūrėkite, kad visi ratukai būtų ant žemės ir abi rankas laikykite ant rankenos, kai naudojate gaminį. Saugokite rankas bei kojas ir neikiškite jų prie besisukančių peilių.
- Nepakreipkite gaminio, kai paleidžiate variklį arba naudodami gaminį.
- Būkite atsargūs, kai gaminį traukiate atgal.
- Dirbant varikliui niekada nekelkite gaminio. Jei reikia pakelti gaminį, pirmiausia išjunkite variklį, pasukite apsauginį raktelį į padėtį „0“ ir išimkite akumuliatorių.
- Naudodami gaminį neikite atgal.
- Kai reikia pakreipti gaminį, kad jį būtų galima gabenti, arba prieš pereinant iš vienos vietos kitą

sritimi, kurioje nėra žolės, pvz., žvyro, akmenų ar asfalto takais, sustabdykite variklį.

- Dirbant varikliui nebėkite su gaminiu. Naudodami gaminį visada eikite.
- Prieš pakeisdami pjovimo aukštį pirmiausia išjunkite variklį. Niekada nereguliuokite varikliui veikiant.
- Niekada nepaleiskite gaminio iš akių, kai veikia variklis. Išjunkite variklį ir įsitinkinkite, kad pjovimo įranga nesisuka.
- Gaminio vibracijos jam veikiant gali skirtis nuo deklaruojamos vibracijos vertės, nurodytos *Techniniai duomenys psl. 380*. Skirtumus lemia skirtingas gaminio naudojimas. Jei gaminį naudojate dažnai arba ilgą laiką tarpą, reguliariai darykite pertraukas, kad nesusižeistumėte dėl vibracijų.

## Naudojimo saugos instrukcijos

### Asmeninės apsauginės priemonės



**PERSPĖJIMAS:** Prieš naudodami gaminį, perskaitykite toliau esančius įspėjimus.

- Asmeninės apsauginės priemonės nepadės visiškai išvengti pavojaus susižeisti, tačiau nelaimingo atsitikimo atveju mažiau nukentėsite. Leiskite prekybos atstovui padėti pasirinkti tinkamą įrangą.
- Avėkite patvarius, neslystančius batus. Neavėkite atvirų batų ir nebūkite basi.
- Dėvėkite storas, ilgas kelnes.
- Kai būtina, pvz., montuojant, apžiūrint arba valant pjovimo įrangą, užsimaukite apsaugines pirštines.
- Rekomenduojame naudoti apsaugines ausines.

### Gaminio apsauginės priemonės



**PERSPĖJIMAS:** Prieš naudodami gaminį, perskaitykite toliau esančius įspėjimus.

- Nesinaudokite gaminiu, jei jo apsauginės priemonės yra netvarkingos.
- Nepašalinkite ir nemodifikuokite apsauginių priemonių.
- Reguliariai tikrinkite apsaugines priemones. Jei apsauginės priemonės yra pažeistos, pasitarkite su Husqvarna techninės priežiūros atstovu.

### Atlikite pjovimo gaubto patikrą.

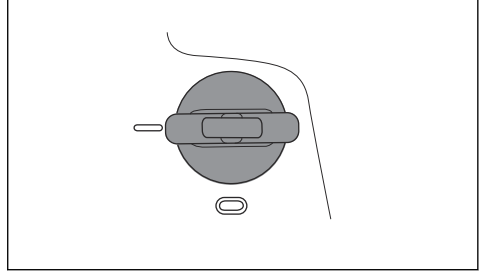
Pjovimo gaubtas sumažina gaminio vibracijas ir sumažina disko keliamą sužeidimų pavojų.

- Apžiūrėkite pjovimo gaubtą, kad įsitikintumėte, jog nėra pažeidimų, pvz., įtrūkių.

### Apsauginio raktelio patikra

Apsauginis raktelis yra po akumulatoriaus gaubtu. Apsauginis raktelis prijungia akumuliatorių, kuris tiekia varikliui energiją.

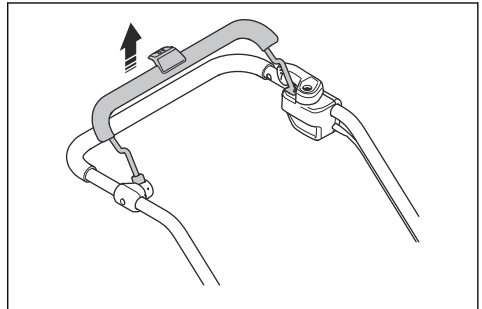
- Norėdami patikrinti apsauginį raktelį, paleiskite ir sustabdykite variklį.
- Jei apsauginis raktelis veikia tinkamai, variklį galima paleisti tik pasukus raktelį į padėtį „1“.



### Variklio stabdymo rankenos patikra

Variklio stabdymo rankena sustabdo variklį. Atleidus variklio stabdymo rankeną variklis sustoja.

- Paleiskite gaminį. Žr. *Naudojimas psl. 369*.
- Atleiskite variklio stabdymo rankeną.



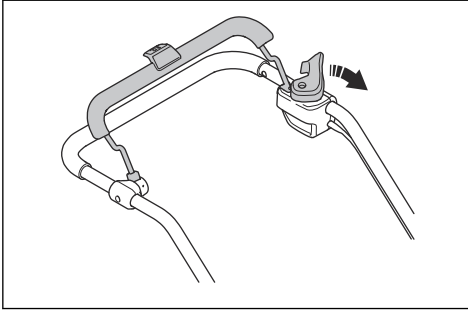
- Įsitinkinkite, kad gaminys sustoja. Jei variklis nesustoja per 3 sekundes, paprašykite, kad įgaliotasis „Husqvarna“ techninės priežiūros atstovas sureguliuotų variklio stabdį.

### Apsaugos nuo netyčinio užvedimo patikra

Patikrinkite apsaugą nuo netyčinio užvedimo ir įsitinkinkite, kad ji neleidžia užvesti variklio.

1. Pastumkite variklio stabdymo rankeną link gaminio rankenos. Apsauga nuo netyčinio užvedimo neleidžia judėti.

## 2. Išstumkite apsaugą nuo netyčinio užvedimo.



## 3. Atleiskite apsaugą nuo netyčinio užvedimo ir įsitikinkite, kad ji grįžta į savo pradinę padėtį.

### Akumuliatorių naudojimo sauga



**PERSPĖJIMAS:** Prieš naudodami gaminį, perskaitykite toliau esančius įspėjimus.

- Kaip susijusių „Husqvarna“ gaminių maitinimo šaltinį naudokite tik „Husqvarna“ įkraunamus akumulatorius. Kad išvengtumėte sužeidimų, nenaudokite akumulatoriaus kaip kitų gaminių maitinimo šaltinio.
- Nenaudokite neįkraunamų akumuliatorių.
- Elektros smūgio pavojus. Nejunkite akumulatoriaus gnybtų prie raktų, monetų, atsuktuvų ar kitų metalinių daiktų. Galite sukelti akumulatoriaus trumpąjį jungimą.
- Nekiškite objektų į akumulatoriaus oro angas.
- Saugokite akumuliatorių nuo tiesioginių saulės spindulių, karščio ar atviros ugnies. Akumulatorius gali sprogti ir sukelti terminius ir (arba) cheminius nudegimus.
- Saugokite akumuliatorių nuo lietaus ir drėgmės.
- Saugokite akumuliatorių nuo mikrobangų ir aukšto slėgio.
- Nebandykite akumulatoriaus išmontuoti ar sulaužyti.
- Jei iš akumulatoriaus teka skystis, saugokite nuo jo kūną ir akis. Jei palietėte skystį, gerai nuplaukite šią vietą vandeniu ir kreipkitės pagalbos į medikus.
- Akumuliatorių gaminyje naudokite tik kai aplinkos temperatūra yra nuo 5 °C iki 40 °C.
- Akumulatoriaus įkroviklį naudokite tik kai aplinkos temperatūra yra nuo 5 °C iki 40 °C.
- Jei akumulatoriaus temperatūra yra didesnė nei 50 °C, jo nepavyks įkrauti.
- Nevalykite akumulatoriaus ar įkroviklio vandeniu. Žr. *Akumulatoriaus ir akumulatoriaus įkroviklio valymas psl. 376.*
- Nenaudokite sugadinto arba pažeisto akumulatoriaus.
- Laikykite akumulatorius atokiau nuo metalinių daiktų, pavyzdžiui, vinių, monetų, juvelyrinių dirbinių.

### Įkroviklio sauga



**PERSPĖJIMAS:** Prieš naudodami gaminį, perskaitykite toliau esančius įspėjimus.

- „Husqvarna“ pakaitiniams akumuliatoriams įkrauti naudokite tik QC akumuliatorių įkroviklius.
- Elektros smūgio ar trumpojo jungimo pavojus. Nekiškite objektų į įkroviklio oro angas. Nebandykite išmontuoti akumulatoriaus įkroviklio. Neprijunkite įkroviklio gnybtų prie metalinių daiktų. Naudokite patvirtintą elektros tinklo lizdą.
- Šis gaminis veikdamas sukuria elektromagnetinį lauką. Tam tikromis aplinkybėmis šis laukas gali trikdyti aktyviųjų arba pasyviųjų medicininių implantų veiklą. Kad sumažėtų sunkauso ar netgi mirtino sužeidimo pavojus, medicininių implantų turintiems asmenims rekomenduojame prieš naudojant šį gaminį pasitarti su gydytoju ir implanto gamintoju.
- Nuolat patikrinkite akumulatoriaus įkroviklio maitinimo laidą, ar jis nepažeistas ir nėra įtrūkimų.
- Nekelkite akumulatoriaus įkroviklio už maitinimo laido. Norėdami atjungti akumulatoriaus įkroviklį nuo elektros lizdo, traukite už kištuko. Netraukite už elektros laido.
- Maitinimo laidą ir ilginamuosius kabelius saugokite nuo vandens, alyvos ir aštrių kampų. Būkite atidūs, kad kabelio neprispaustų durys, tvoros ar pan. Priešingu atveju įkrovikliu gali imti tekėti elektros srovė.
- Nevalykite akumulatoriaus įkroviklio vandeniu.
- Akumulatoriaus įkroviklį gali naudoti vaikai nuo 8 metų amžiaus ir kiti asmenys su ribotais fiziniais, jutimais ar protiniais sugebėjimais, arba stokojantys patirties ar žinių, jei yra prižiūrimi arba instruktuoti dėl saugaus akumulatoriaus įkroviklio naudojimo ir supranta gresiančius pavojus. Vaikams su akumulatoriaus įkrovikliu žaisti negalima. Be priežiūros vaikai neturėtų valyti prietaiso ir atlikti naudotojo atliekamų techninės priežiūros darbų.
- Akumuliatorių įkrovikliu nekraukite neįkraunamų akumuliatorių.
- Nenaudokite akumulatoriaus įkroviklio šalia degių arba koroziją sukeliančių medžiagų. Neuždenkite įkroviklio. Pastebėję dūmus ar liepsną, ištraukite akumulatoriaus įkroviklio kištuką.
- Nenaudokite sugadinto arba pažeisto akumulatoriaus įkroviklio.
- Įkraukite akumuliatorių tik viduje, gerai vėdinamoje patalpoje, saugodami nuo saulės spindulių. Nekraukite akumulatoriaus drėgnomis sąlygomis.

### Priežiūros saugos instrukcijos



**PERSPĖJIMAS:** Prieš naudodami gaminį, perskaitykite toliau esančius įspėjimus.

- Kad atlikdami priežiūros darbus išvengtumėte netyčinio užvedimo, pasukite apsauginį raktelį į padėtį „0“ ir išimkite akumuliatorių. Palaukite bent 5 sekundes ir tik tada pradėkite priežiūros darbus.
- Atlikite tik naudojimo instrukcijoje nurodytus techninės priežiūros darbus. Sudėtingesnius ir profesionalius remonto darbus turi atlikti patvirtintas techninės priežiūros atstovas. Jei reikia daugiau informacijos, kreipkitės į artimiausią techninės priežiūros atstovą.
- Kad gaminys tarnautų ilgiau ir sumažėtų nelaimingų atsitikimų pavojus, tinkamai atlikite priežiūros darbus.
- Pakeiskite pažeistas, sulūžusias arba susidėvėjusias dalis. Visada naudokite gamintojo originalias atsargines dalis. Naudojat kitas atsargines dalis, galima pažeisti gaminį ir gali padidėti nelaimingų atsitikimų pavojus.
- Kad nesusižalotumėte, nepašalinkite ir nemodifikuokite apsauginių priemonių.
- Naudodami pjovimo įrangą, mūvėkite storas darbinės pirštines. Peilis labai aštrus ir gali lengvai įpjauti.
- Kad darbas vyktų saugiai ir efektyviai, pasirūpinkite, kad pjovimo briaunos būtų aštrios.
- Leiskite savo techninės priežiūros atstovui reguliariai tikrinti gaminį ir atlikti reikiamus nustatymo ir remonto darbus.
- Laikykitės priedų keitimo nurodymų. Naudokite tik gamintojo priedus.
- Kai nenaudojate, laikykite gaminį, akumuliatorių ir akumulatoriaus įkroviklį atskirai, sausoje užrakintoje patalpoje. Pasirūpinkite, kad vaikai ir pašaliniai asmenys negalėtų pasiekti gaminio, akumulatoriaus ar akumulatoriaus įkroviklio.

## Surinkimas

### Įvadas

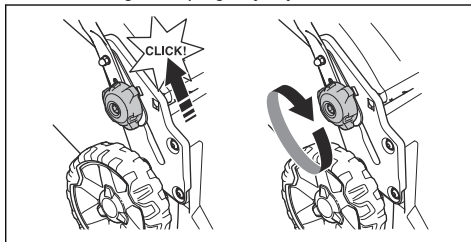


**PERSPĖJIMAS:** Prieš surinkdami produktą perskaitykite skyrių apie saugą.



**PERSPĖJIMAS:** Kad surinkimo metu išvengtumėte netyčinio paleidimo, pasukite apsauginį raktelį į padėtį „0“, išimkite akumuliatorių ir palaukite mažiausiai 5 sekundes.

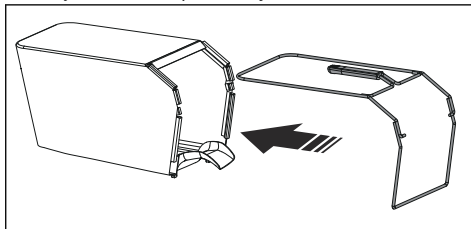
4. Stumkite rankenėles į viršų link rankenos, kol jos sustos ir išgirsite spragtelėjimą.



5. Iki galo priveržkite rankenėles.

### Žolės rinktuvo montavimas

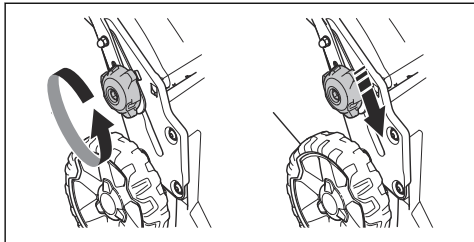
1. Įdėkite žolės rinktuvo rėmą į žolės krepšį taip, kad standi krepšio dalis būtų apačioje. Rėmo rankeną laikykite žolės krepšio viršuje.



2. Įstatykite žolės rinktuvo rėmo apatinę dalį į griovelį žolės rinktuvo apačioje.

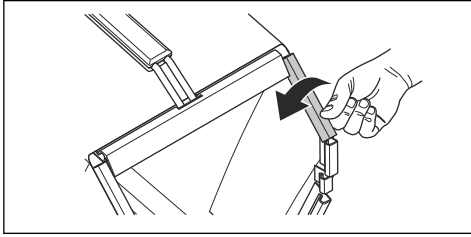
### Rankenos reguliavimas

1. Atsukite apatines rankenėles.
2. Stumkite rankenėles iki apatinio griovelių krašto kairėje ir dešinėje produkto pusėje.

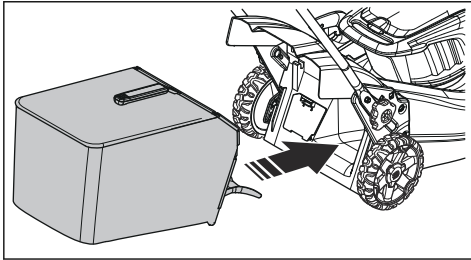


3. Nustatykite rankenos aukštį į vieną iš dviejų aukščio padėčių.

3. Pritvirtinkite žolės krepšį prie žolės rinktuvo rėmo fiksatoriais.

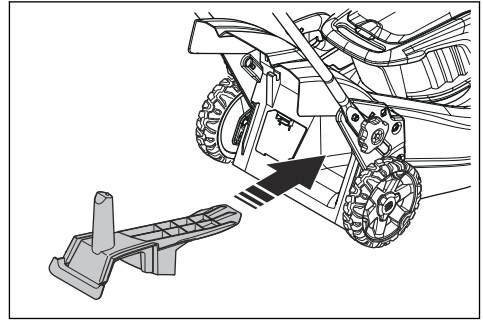


4. Pakelkite galinį dangtį.
5. Prikabinkite žolės rinktuvą prie viršutinio važiuoklės krašto.
6. Įdėkite apatinę žolės rinktuvo dalį į žolės išmetimo kanalą.



## Mulčiavimo priedo montavimas (priedas)

1. Pakelkite galinį gaubtą ir išimkite žolės rinktuvą.
2. Įstatykite mulčiavimo priedą į išmetimo kanalą.



3. Pakeiskite peilį mulčiavimo peiliu, pridėdamu prie mulčiavimo rinkinio. Žr. *Peilio keitimas psl. 376*.

## Naudojimas

### Įvadas



**PERSPĖJIMAS:** Prieš naudodami gaminį perskaitykite ir supraskite saugos skyriaus informaciją.

### Husqvarna Connect

Husqvarna Connect yra nemokama programėlė, skirta mobiliesiems įrenginiams. Programėlė Husqvarna Connect suteikia Husqvarna gaminiui papildomas funkcijas:

- Papildoma informacija apie gaminį.
- Informacija ir patarimai apie gaminio dalis ir priežiūrą.

### Norėdami pradėti naudoti Husqvarna Connect

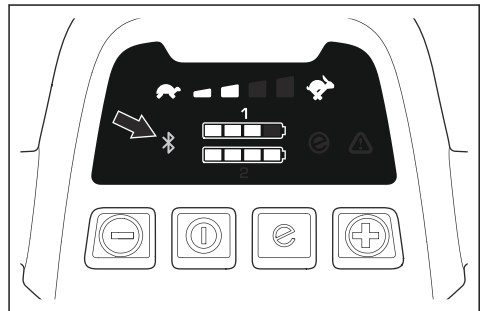
1. Atsisiųskite „Husqvarna Connect“ programėlę į mobilųjį įrenginį.
2. Užsiregistruokite „Husqvarna Connect“ programėlėje.
3. Norėdami prisijungti ir užregistruoti gaminį, vadovaukitės programėlėje Husqvarna Connect pateiktomis instrukcijomis.

**Pasižymėkite:** Programėlė Husqvarna Connect nėra prieinama visose programėlių parduotuvėse. Dėl išsamesnės informacijos kreipkitės į savo techninės priežiūros atstovą.

### Bluetooth® informacija (LC 347IVX, LC 353iVX)

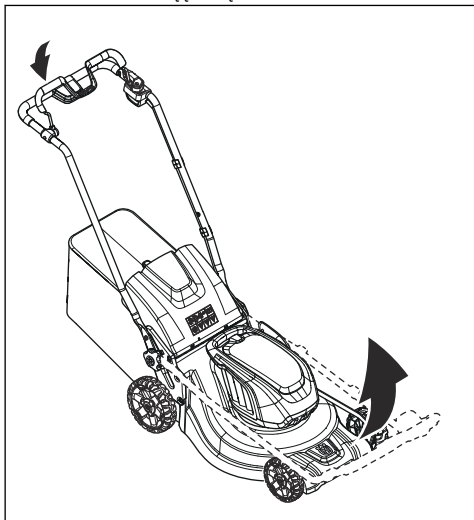
#### Bluetooth® belaidė technologija

*Bluetooth*® belaidės technologijos simbolis įsižiebia, kai jūsų mobilusis įrenginys yra prijungtas prie gaminio.

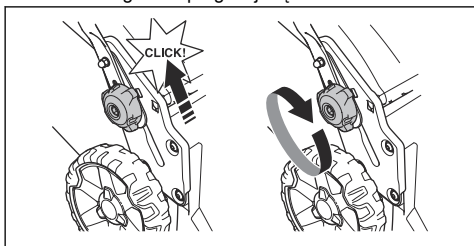


## Gaminio paruošimas naudoti

1. Atlenkite rankeną į viršų.



2. Stumkite rankenėles į viršų link rankenos, kol jos sustos ir išgirsite spragtelėjimą.



3. Iki galo priveržkite rankenėles.



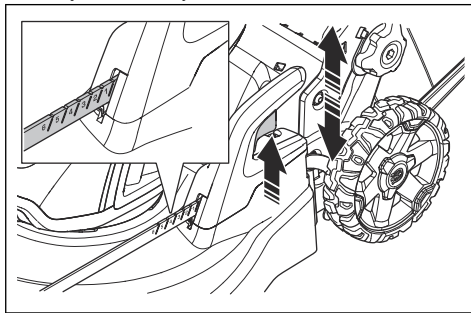
**PERSPĖJIMAS:** Nenaudokite gaminio, kol rankena nebus iki galo užlenkta aukštyn ir nustatyta į vieną iš taikomų aukščio padėčių. Žr. *Rankenos reguliavimas psl. 368.*

## Pjovimo aukščio nustatymas

Galima nustatyti 6 pjovimo aukščio padėtis.

1. Kad sumažintumėte pjovimo aukštį, pjovimo aukščio svirtį leiskite žemyn.

2. Kad padidintumėte pjovimo aukštį, pjovimo aukščio svirtį kelkite aukštyn.



**PASTABA:** Nenustatykite per žemo pjovimo aukščio. Peiliai gali užkliudyti žemę, jei vejos paviršius nelygus.

## Akumuliatorius



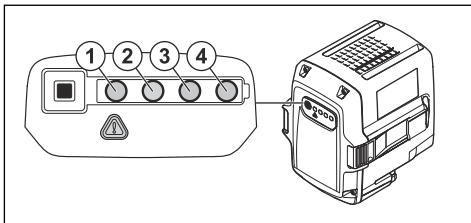
**PERSPĖJIMAS:** Prieš naudodami akumuliatorių perskaitykite ir supraskite saugos skyriaus informaciją. Taip pat turite perskaityti ir suprausti akumuliatoriaus bei akumuliatoriaus įkroviklio naudojimo instrukcijas.

Akumuliatorių ir akumuliatoriaus įkroviklį laikykite tinkamoje aplinkos temperatūroje.

	Aplinkos temperatūra
Akumuliatoriaus veikimas	5–40 °C
Akumuliatoriaus įkrovimas	5–40 °C

## Akumuliatoriaus būseną

Ekrane rodoma likusi akumuliatoriaus talpa ir galimos akumuliatoriaus problemos. Akumuliatoriaus talpa rodoma 5 sekundes po gaminio išjungimo arba po akumuliatoriaus indikatorius mygtuko paspaudimo. Akumuliatoriaus įspėjimo simbolis užsidega, kai įvyksta klaida. Žr. *Akumuliatorius psl. 377*



Šviesos diodai	Akumuliatoriaus būseną
Šviečia visi diodai	Visiškai įkrautas (75–100 %)
Šviečia 1, 2 ir 3 diodai	Akumuliatorius įkrautas 50–75 %
Šviečia 1, 2 diodai	Akumuliatorius įkrautas 25–50 %
Šviečia 1 diodas	Akumuliatorius įkrautas 0–25 %
Mirksi 1 diodas	Akumuliatorius tuščias. Įkraukite akumuliatorių.

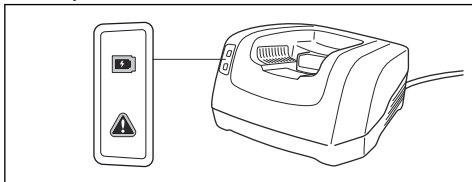
## Akumuliatoriaus įkrovimas

Prieš naudodami pirmą kartą, akumuliatorių įkraukite. Klientui pateikiamas akumuliatorius yra įkrautas tik 30 %.

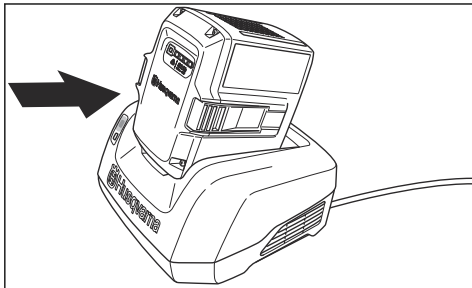
**Pasižymėkite:** Akumuliatorių įkroviklį būtina prijungti prie parametų plokštelėje nurodytos įtampos ir dažnio maitinimo lizdo.

Akumuliatorius neįkraunamas, jei jo temperatūra aukštesnė nei 50 °C. Prieš pradėdamas įkrauti, akumuliatoriaus įkroviklis sumažina akumuliatoriaus temperatūrą.

1. Prijunkite vieną akumuliatoriaus įkroviklio maitinimo laido galą prie akumuliatoriaus įkroviklio lizdo.
2. Prijunkite kitą akumuliatoriaus įkroviklio maitinimo laido galą prie žeminto elektros lizdo. Akumuliatoriaus įkroviklio LED indikatorius vieną kartą sumirksės žaliai.



3. Akumuliatorių įstatykite į įkroviklį. Prijungus akumuliatorių prie akumuliatoriaus įkroviklio, įkroviklyje įsizižiebja žalia lemputė.



4. Įsizižiebus visiems akumuliatoriaus LED indikatoriams, akumuliatorius yra visiškai įkrautas. Akumuliatorių kraukite daugiausia 24 valandas.
5. Norėdami atjungti akumuliatoriaus įkroviklį nuo elektros lizdo, traukite už kištuko, o ne už maitinimo laido.
6. Iš įkroviklio išimkite akumuliatorių.

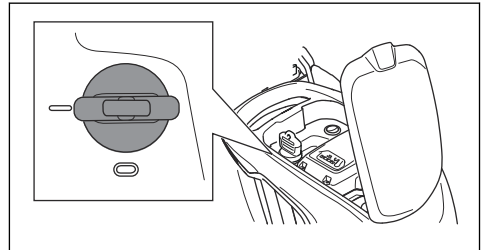
## Akumuliatoriaus įkrovimo būseną

„Husqvarna“ ličio jonų akumuliatorius galima įkrauti ir naudoti nepaisant jų įkrovimo lygio. Akumuliatorius nepažeistas. Visiškai įkrautas akumuliatorius nepraras savo krūvio jį palikus įkroviklyje.

LED ekranas	Įkrovimo būseną
Mirksi 1 diodas	0–25 %
1 diodas mirksi, 2 šviečia	25–50 %
1, 2 diodas šviečia, 3 mirksi	50–75 %
1, 2, 3 diodai šviečia, 4 mirksi	75–100 %
Šviečia 1, 2, 3, 4 šviesos diodai	Visiškai įkrautas

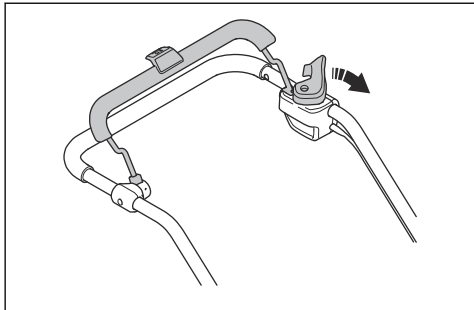
## Gaminio paleidimas(LC 247i)

1. Atidarykite akumuliatoriaus gaubtą.
2. Įkrautą akumuliatorių įstatykite į vieną iš akumuliatoriaus laikiklių. Jei norėsite dirbti ilgiau, įstatykite antrą įkrautą akumuliatorių į kitą akumuliatoriaus laikiklį.
3. Pasukite apsauginį raktelį į padėtį „1“.

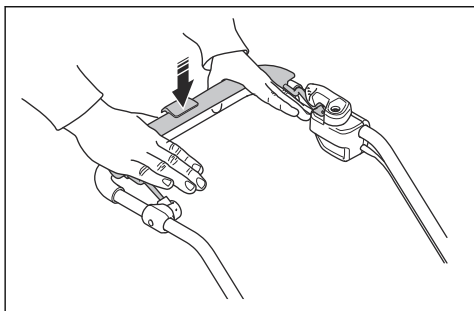


4. Stovėkite už gaminio.

5. Atleiskite apsaugą nuo netyčinio paleidimo.

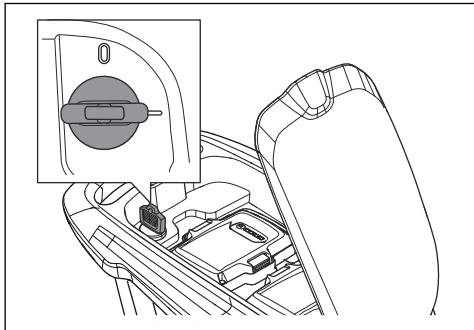


6. Pastumkite variklio stabdymo rankeną link gaminio rankenos.



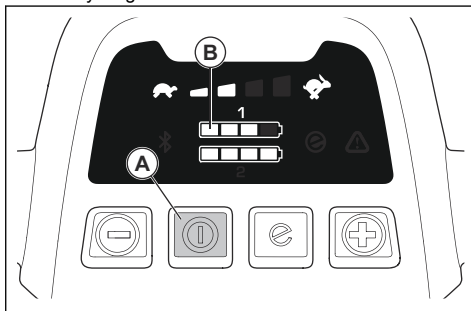
## Gaminio paleidimas(LC 347iVX, LC 353iVX)

1. Atidarykite akumuliatoriaus gaubtą.
2. Įkrautą akumuliatorių įstatykite į vieną iš akumuliatoriaus laikiklių. Jei norėsite dirbti ilgiau, įstatykite antrą įkrautą akumuliatorių į kitą akumuliatoriaus laikiklį.
3. Pasukite apsauginį raktelį į padėtį „1“.

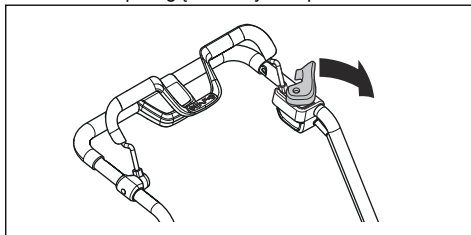


4. Stovėkite už gaminio.

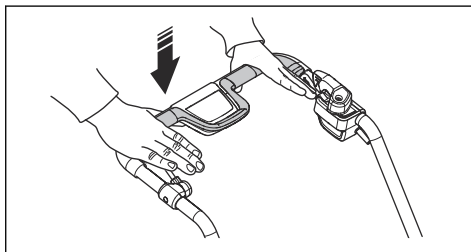
5. Valdymo skydelyje nuspauskite ĮJUNGIMO / IŠJUNGIMO mygtuką (A). Įsijungia ekranas. Akumuliatoriaus indikatorius (B) rodo dvejų akumuliatorių įkrovimo lygį. Veikiančio akumuliatoriaus numeris rodomas greta akumuliatoriaus indikatoriaus. LC 347iVX, LC 353iVX modelių ekrane taip pat rodomas nustatytas greitis.



6. Atleiskite apsaugą nuo netyčinio paleidimo.



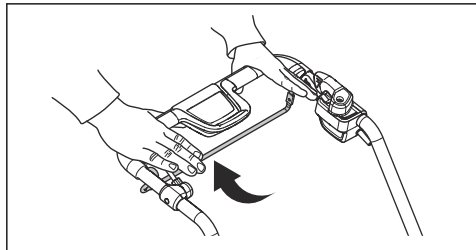
7. Pastumkite variklio stabdymo rankeną link gaminio rankenos.



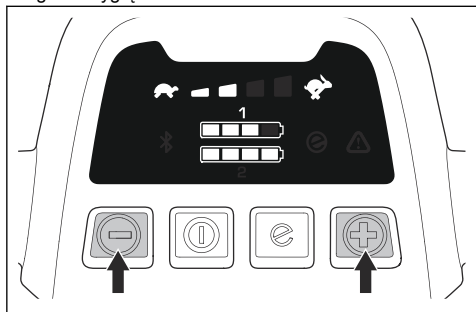


## Ratų pavaros naudojimas LC 347iVX, LC 353iVX

- Patraukite pavaros rankeną link gaminio rankenos, kad įjungtumėte pavarą.



- Nuspauskite valdymo skydelyje esančius mygtukus „+“ ir „-“, kad nustatytumėte vieną iš 4 važiavimo greičio lygių.

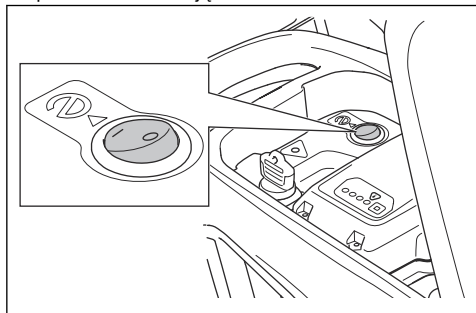


- Atleiskite pavaros rankeną, kad išjungtumėte pavarą, pvz., kai priartėjate prie kliūtis.

## Kaip naudoti SavE™ funkciją (LC 247i)

Gaminys turi akumuliatoriaus energijos taupymo funkciją (SavE™), kuri užtikrina ilgesnę veikimo trukmę.

- Paspauskite mygtuką „SavE™“ į 1 padėtį, kad paleistumėte funkciją.



- Paspauskite mygtuką „SavE™“ į 0 padėtį, kad sustabdytumėte funkciją.

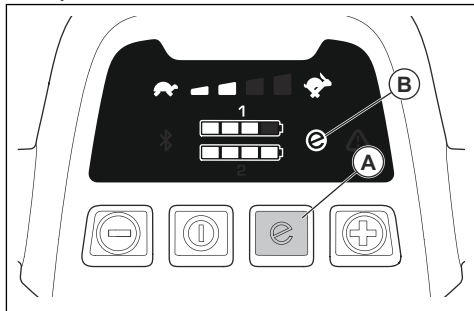
**Pasižymėkite:** Funkcija „SavE™“ automatiškai sustoja, jei dėl žemės sąlygų reikalinga didesnė galia.

Funkcija „SavE™“ vėl automatiškai paleidžiama, kai tai leidžia žemės sąlygos.

## Kaip naudoti SavE™ funkciją (LC 347iVX, LC 353iVX)

Gaminys turi akumuliatoriaus energijos taupymo funkciją (SavE™), kuri užtikrina ilgesnę veikimo trukmę.

1. Paspauskite „SavE™“ mygtuką (A), kad paleistumėte funkciją. Ekrane atsiranda „SavE™“ simbolis (B).
2. Paspauskite „SavE™“ mygtuką dar kartą, kad sustabdytumėte funkciją. „SavE™“ simbolis (B) išnyksta iš ekrano.



**Pasižymėkite:** „SavE™“ funkcija automatiškai sustabdoma, jei dėl žemės sąlygų reikalinga didesnė galia. „SavE™“ funkcija vėl automatiškai paleidžiama, kai tai leidžia žemės sąlygos.

## Didelės apkrovos funkcija

Gaminį pjaunant aukštą ar šlapią žolę, variklio sukiai automatiškai padidinami. Kai didelės apkrovos funkcija nebūtina, variklis vėl pradeda veikti standartiniu režimu.

## Automatinis paleidimas iš naujo

Naudojant gaminį, peilis ir variklis gali laikinai sustoti dėl kliūčių, pvz., užsikimšimo žole po pjovimo įtaiso gaubtu. Jei taip nutinka ir laikote variklio stabdymo rankeną nuspauštą, gaminys bando automatiškai pasileisti iš naujo. Jei gaminys iš naujo nepasileidžia per 5 sekundes, gali reikėti nuvalyti sritį po pjovimo įtaiso gaubtu. Žr. *Gaminio valymas psl. 376.*



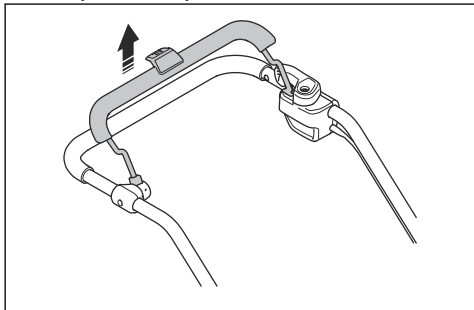
**PERSPĖJIMAS:** Prieš tikrindami pjovimo įtaiso gaubtą, atleiskite variklio stabdymo rankeną, pasukite apsauginį raktelį į padėtį „0“, išimkite akumuliatorių ir palaukite bent 5 sekundes. Jei kliūtis pašalinama ir gaminys netyčia paleidžiamas, kyla pavojus susižaloti.

## Gaminio sustabdymas (LC 247i)

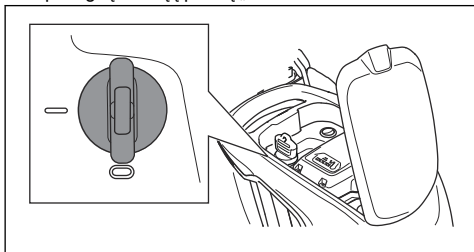


**PERSPĖJIMAS:** Prieš palikdami gaminį be priežiūros, pasukite apsauginį raktelį į 0 padėtį.

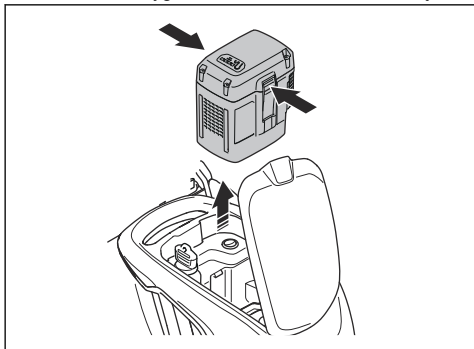
1. Norėdami sustabdyti variklį, atleiskite variklio stabdymo rankeną.



2. Atidarykite akumuliatoriaus gaubtą ir pasukite apsauginį raktelį į padėtį „0“.



3. Norėdami išimti akumuliatorių, paspauskite 2 atlaisvinimo mygtukus ir ištraukite akumuliatorių.



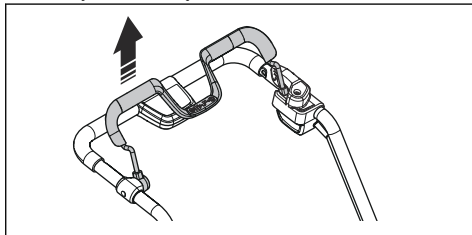
4. Jei akumuliatoriaus įkrova žema, įkraukite jį. Daugiau informacijos žr. *Akumuliatoriaus įkrovimas psl. 371.*

## Gaminio sustabdymas (LC 347iVX, LC 353iVX)

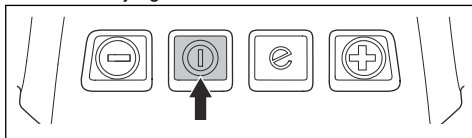


**PERSPĖJIMAS:** Prieš palikdami gaminį be priežiūros, pasukite apsauginį raktelį į 0 padėtį.

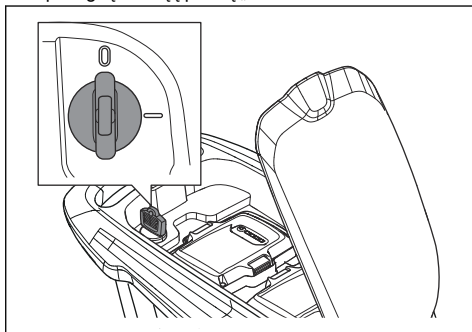
1. Norėdami sustabdyti variklį, atleiskite variklio stabdymo rankeną.



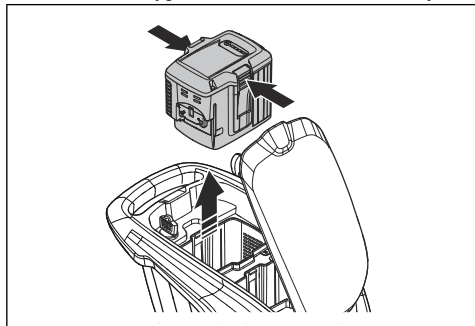
2. Valdymo skydelyje nuspauskite ĮJUNGIMO / IŠJUNGIMO mygtuką. Visi šviesos diodai ir simboliai ekrane išsijungia.



3. Atidarykite akumuliatoriaus gaubtą ir pasukite apsauginį raktelį į padėtį „0“.



4. Norėdami išimti akumuliatorių, paspauskite 2 atlaisvinimo mygtukus ir ištraukite akumuliatorių.



5. Jei akumuliatoriaus įkrova žema, įkraukite jį. Daugiau informacijos žr. *Akumuliatoriaus įkrovimas psl. 371.*

**Pasižymėkite:** Gaminys išjungiamas automatiškai, jei nenaudojate jo keletą minučių. Kaip vėl paleisti gaminį, žr. *Gaminio paleidimas(LC 347iVX, LC 353iVX) psl. 372.*

## Gerų rezultatų gavimas

- Visada naudokite pagalastą peilį. Atšipęs peilis netaisyklingai nupjauna ir žolės paviršius pagelsta. Be to, aštrus peilis naudoja mažiau energijos nei atšipęs.

- Nėpjaukite daugiau nei 1/3 žolės ilgio. Pirmiausia nupjaukite nustatę didelį aukštį. Patikrinkite rezultatą ir sumažinkite pjovimo aukštį iki tinkamo lygio. Jeigu žolė tikrai aukšta, judėkite lėtai ir, jei reikia, pjaukite 2 kartus.
- Kiekvieną kartą pjaukite skirtingomis kryptimis, kad vejoje nesusidarytų dryžiai.
- Pjovimo dangtis turi būti visuomet švarus. Prikibusi žolė ir purvas vidinėje pjovimo dangčio dalyje gali turėti įtakos pjovimo rezultatams. Žr. *Gaminio valymas psl. 376.*

## Žolės pjovimas nenaudojant žolės rinktuvo arba mulčiavimo priedo

- Pakelkite galinį gaubtą ir išimkite žolės rinktuvą.
- Jei mulčiavimo priedas ir mulčiavimo peilis uždėti, nuimkite juos.
- Prieš naudodami gaminį, uždarykite galinį gaubtą.

Kai naudojate gaminį, nupjauta žolė išmetama po galiniu dangčiu.

## Techninė priežiūra

### Įvadas



**PERSPĖJIMAS:** Prieš atlikdami priežiūros darbus perskaitykite ir supraskite saugos skyriaus informaciją.

Visiems gaminio techninės priežiūros ir remonto darbams reikia specialių apmokymų. Garantuojame profesionalaus remonto ir techninės priežiūros darbų pasiekiamumą. Jei jūsų pardavėjas nėra techninės priežiūros atstovas, paprašykite jo informacijos apie artimiausią techninės priežiūros atstovą.

Išsamesnės informacijos žr. [www.husqvarna.com](http://www.husqvarna.com).

### Priežiūros grafikas

Techninės priežiūros intervalai apskaičiuojami pagal kasdienį gaminio naudojimą. Intervalai keičiasi, jei gaminys naudojamas kasdien.

Techninės priežiūros informacijos, pažymėtos \*, žr. instrukcijas, pateikiamas *Sauga psl. 362.*

	Kiekvieną kartą naudojant	Kiekvieną mėnesį	Kas sezoną
Atlikti bendrąją apžiūrą	X		
Nuvalyti įrenginį	X		
Patikrinti apsaugą nuo netyčinio užvedimo *	X		
Įsitikinti, kad gaminio saugos įtaisai nepažeisti *	X		

	Kiekvie- ną kartą naudo- jant	Kiekvie- ną mė- nesį	Kas se- zoną
Patikrinti pjovimo įrangą	X		
Patikrinti pjovimo įrangos gaubtą *	X		
Patikrinti variklio stabdymo rankeną *	X		
Įsitikinti, kad tinkamai veikia ir nepažeistas ĮJUNGIMO / IŠJUNGIMO mygtukas	X		
Patikrinti, ar nepažeistas akumuliatorius	X		
Patikrinti akumuliatoriaus įkrovą	X		
Patikrinti, ar tinkamai veikia akumuliatoriaus atlaisvinimo mygtukai ir ar akumu- liatorius užsifiksuoja gaminyje	X		
Patikrinti, ar nepažeistas akumuliatoriaus įkroviklis, ir įsitikinti, kad jis veikia tin- kamai		X	
Patikrinti jungtis tarp akumuliatoriaus ir gaminio. Taip pat patikrinti jungtį tarp akumuliatoriaus ir akumuliatoriaus įkroviklio.			X

## Bendroji apžiūra

- Įsitikinkite, kad gaminio varžėlės ir varžtai priveržti.
- Įsitikinkite, kad gaminio kabeliai nėra tokioje padėtyje, kurioje jie galėtų būti pažeisti.

## Gaminio valymas

- Plastikines dalis valykite švaria ir sausa šluoste.
- Valydami gaminį nenaudokite vandens. Vandeniui pateikus į akumuliatorių arba variklį gali įvykti trumpasis jungimas arba gaminys gali sugesti.
- Gaminio neplaukite aukšto slėgio pjovimo aparatu.
- Nepilkite vandens tiesiai ant variklio.
- Lapus, žolę ir purvą nuvalykite šepečiu.

## Akumuliatoriaus ir akumuliatoriaus įkroviklio valymas



**PERSPĖJIMAS:** Nevalykite akumuliatoriaus ar įkroviklio vandeniu.

- Prieš prijungdami akumuliatorių prie įkroviklio, įsitikinkite, kad akumuliatorius ir akumuliatoriaus įkroviklis yra švarūs ir sausi.
- Nupūskite akumuliatoriaus gnybtus suspaustu oru ir nuvalykite švelnia ir sausa šluoste.
- Nuvalykite akumuliatorių ir akumuliatoriaus įkroviklį švelnia ir sausa šluoste.

## Pjovimo įrangos patikrinimas



**PERSPĖJIMAS:** Kad išvengtumėte netyčinio paleidimo, pasukite apsauginį

raktelį į padėtį „0“, išimkite akumuliatorių ir palaukite mažiausiai 5 sekundes.



**PERSPĖJIMAS:** Pjovimo įrangos techninės priežiūros darbus atlikite apsimovę apsaugines pirštines. Peilis labai aštrus ir gali lengvai įpjauti.

1. Patikrinkite, ar pjovimo įranga nepažeista ir neįskilusi. Visada pakeiskite pažeistą pjovimo įrangą.
2. Apžiūrėkite peilį, ar jis nepažeistas ir neatšipęs.

**Pasižymėkite:** Pagalandus peilį jį reikia subalansuoti. Pagalasti, pakeisti ir subalansuoti peilį turi techninės priežiūros centro darbuotojai. Jei susidūrėte su kliūtimi, dėl kurios įrenginys sustojo, pakeiskite pažeistą peilį. Leiskite techninės priežiūros centro darbuotojams nuspręsti, ar peilį dar galima galasti, ar jau reikia keisti.

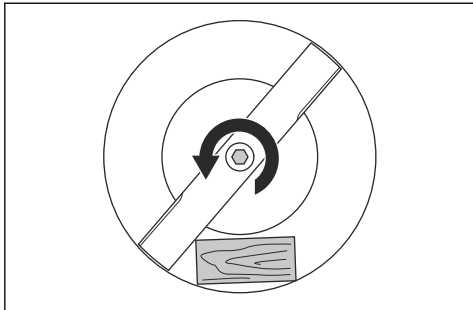
## Peilio keitimas

Informacijos apie tinkamą peilio tipą žr. *Techniniai duomenys psl. 380*.



**PERSPĖJIMAS:** Užfiksuokite peilį medžio bloku, kad keisdami peilį nesusižalotumėte pirštų. Kai variklis išjungtas, peilį galima judinti ir pirštai gali įstrigti tarp peilio ir nejudančių dalių.

1. Užfiksukite peilį medžio bloku.



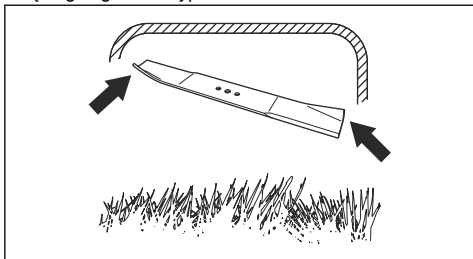
2. Nusukite peilio tvirtinimo varžtą.

3. Nuimkite peilį.

4. Patikrinkite peilio atramą ir peilio tvirtinimo varžtą, ar jie nepažeisti.

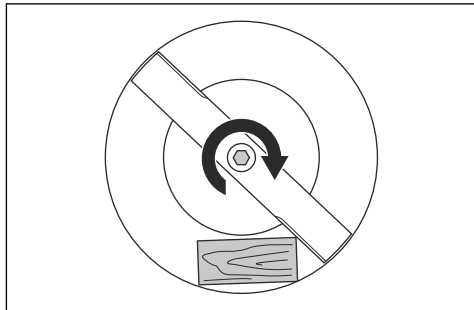
5. Patikrinkite variklio veleną, kad įsitikintumėte, ar jis nesulenktas.

6. Įdėję naują peilį nukreipkite jo kampus pjovimo įrangos gaubto kryptimi.



7. Įsitinkinkite, kad peilis sulygiuotas su variklio veleno centru.

8. Užfiksukite peilį medžio bloku. Uždėkite spyruoklinę poveržlę ir priveržkite varžtą su poveržle 23–28 Nm jėga.



9. Ranka pasukite peilį ir patikrinkite, ar jis laisvai sukasi.



**PERSPĖJIMAS:** Apsimaukite pirštines sunkiam darbui. Peilis labai aštrus ir gali lengvai įpjauti.

10. Paleiskite gaminį, kad išbandytumėte peilį. Jei peilis netinkamai uždėtas, gaminys vibruoja arba pjaunama nepakankamai gerai.

## Gedimai ir jų šalinimas

### Akumulatorius

Akumulatoriaus šviesos diodas	Priežastis	Sprendimas
Mirkis žalias šviesos diodas.	Akumulatoriaus įtampa žema.	Įkraukite akumuliatorių. Žr. <i>Akumulatoriaus įkrovimas psl. 371.</i>
Mirkis klaidos šviesos diodas.	Silpna akumulatoriaus įkrova.	Įkraukite akumuliatorių. Žr. <i>Akumulatoriaus įkrovimas psl. 371.</i>
	Temperatūra darbo aplinkoje per aukšta arba per žema.	Akumuliatorių naudokite nuo 5 °C iki 40 °C temperatūroje.
	Viršįtampis.	Įsitinkinkite, kad maitinimo tinklo įtampa atitinka gaminio duomenų lentelėje nurodytą įtampą.  Iš įkroviklio išimkite akumuliatorių. Palaukite 5 sekundes ir vėl pabandykite įkrauti akumuliatorių. Jei problema išlieka, pasikonsultuokite su patvirtintu techninės priežiūros atstovu.

Akumulatoriaus šviesos diodas	Priežastis	Sprendimas
Šviečia klaidos šviesos diodas.	Elementų skirtumas per didelis (1 V).	Kreipkitės į patvirtintą techninės priežiūros atstovą.

## Akumulatoriaus įkroviklis

Akumulatoriaus įkroviklio šviesos diodas	Priežastis	Sprendimas
Mirksi klaidos šviesos diodas.	Temperatūra darbo aplinkoje per aukšta arba per žema.	Akumulatoriaus įkroviklį naudokite nuo 5 °C iki 40 °C temperatūroje.
Šviečia klaidos šviesos diodas.		Kreipkitės į patvirtintą techninės priežiūros atstovą.

## Vejapjovė

Įspėjimo indikatorius (klaidos šviesos diodas) yra po akumulatoriaus gaubtu ((LC 247i)) arba valdymo skydelyje ((LC 347iVX, LC 353iVX)).

Problema	Klaidos šviesos diodas (mirksnių skaičius)	Priežastis	Sprendimas
Mirksi klaidos diodas. Gaminys neveikia tinkamai.	3	Peilis blokuojamas.	Pasukite apsauginį raktelį į 0 padėtį, kad gaminys netyčia nebūtų paleistas. Išimkite akumuliatorių ir palaukite bent 5 sekundes. Pašalinkite galimas kliūtis ir įsitinkinkite, kad peilis gali laisvai sukstis. Jei problema išlieka, pasikonsultuokite su patvirtintu techninės priežiūros atstovu.
	5	Variklio greitis per daug sumažėja ir variklis sustoja.	Padidinkite pjovimo aukštį. Žr. <i>Pjovimo aukščio nustatymas psl. 370.</i>
	6 <sup>57</sup>	Ratai arba transmisija blokuojami.	Pasukite apsauginį raktelį į 0 padėtį, kad gaminys netyčia nebūtų paleistas. Išimkite akumuliatorių ir palaukite bent 5 sekundes. Pašalinkite galimas kliūtis ir įsitinkinkite, kad ratai gali laisvai sukstis. Jei problema išlieka, pasikonsultuokite su patvirtintu techninės priežiūros atstovu.
	10	Per daug įkaitęs variklio valdiklis.	Išjunkite variklį ir palaukite, kol jis atvės.

<sup>57</sup> LC 347iVX, LC353iVX

Problema	Klaidos šviesos diodas (mirksnių skaičius)	Priežastis	Sprendimas
Mirksi klaidos diodas. Gaminys sustoja.	0	Akumuliatoriaus jungties gedimas.	Patikrinkite akumuliatoriaus jungtį.
	3	Variklio perkrova.	Padidinkite pjovimo aukštį. Žr. <i>Pjovimo aukščio nustatymas psl. 370.</i>
	8	Silpna akumuliatoriaus įkrova.	Įkraukite akumuliatorių. Žr. <i>Akumuliatoriaus įkrovimas psl. 371.</i>
	9	Akumuliatoriaus klaida arba nėra akumuliatoriaus signalo.	Tinkamai įstatykite akumuliatorių į gaminį ir patikrinkite akumuliatoriaus jungtį. Jei klaidos šviesos diodas akumuliatoriuje mirksi. Žr. <i>Akumuliatorius psl. 377.</i>
	12	Netinkama paleidimo procedūra. Variklio stabdymo rankena suaktyvinta prieš užvedant variklį.	Atleiskite variklio stabdymo rankeną ir palaukite apie 5 sekundes. Dar kartą paspauskite variklio stabdymo rankeną žemyn, kad paleistumėte gaminį.
Kitos klaidos.	Jei atsiranda kitų klaidų, pasukite apsauginį raktelį į padėtį „0“, išimkite akumuliatorių ir kreipkitės į patvirtintą techninės priežiūros atstovą.		

## Transportavimas, saugojimas ir utilizavimas

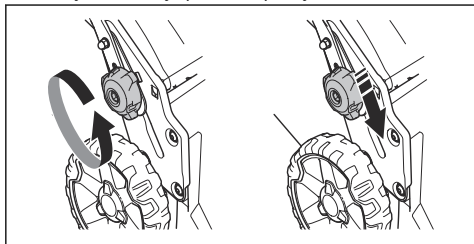
### Įvadas



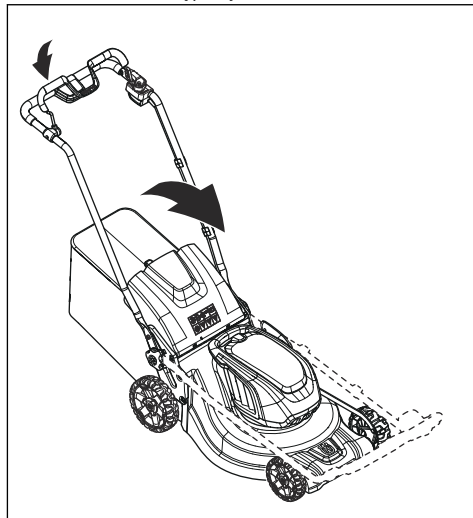
**PERSPĖJIMAS:** Kad išvengtumėte netyčinio paleidimo transportavimo metu, pasukite apsauginį raktelį į padėtį „0“, išimkite akumuliatorių ir palaukite mažiausiai 5 sekundes.

### Gaminio nustatymas į gabenimo padėtį

1. Atsukite apatines rankenėles.
2. Stumkite rankenėles iki apatinio griovelių krašto kairėje ir dešinėje produkto pusėje.



3. Nulenkite rankeną pirmyn.



4. Išimkite žolės rinktuvą.

### Transportavimas

- Įdėtiems ličio jonų akumuliatoriams taikomos pavojaingų krovinių gabenimo taisyklės.

- Jeigu krovinys gabenamas komerciniu transportu, būtina laikytis specialių reikalavimų dėl pakavimo ir žymėjimo.
- Ruošdamiesi gaminį transportuoti, užtikrinkite, kad būtų laikomasi pavojingų medžiagų tvarkymo taisyklių. Gali būti taikomi vietos teisės aktai.
- Transportavimo metu visuomet išimkite akumuliatorių.
- Ant akumulatoriaus jungčių užklijuokite izoliacinę juostą ir įsitikinkite, kad transportuojant akumulatorius nejudės.
- Transportuodami gaminį, jį pritvirtinkite.
- Prieš sandėliuodami ilgesnį laiką pasirūpinkite, kad akumulatorius būtų įkrautas 30–50 %.
- Gaminį, akumuliatorių ir akumulatoriaus įkroviklį laikykite rakinamoje patalpoje, kur jų negalėtų pasiekti vaikai ir pašaliniai asmenys.
- Nuvalykite gaminį ir įsitikinkite, kad žolės rinktuvas yra tuščias.
- Atlikite naudojimo instrukcijoje nurodytas technines priežiūros procedūras. Žr. *Techninė priežiūra psl. 375*.
- Prieš sandėliuodami gaminį ilgesnį laiką, atlikite visus technines priežiūros darbus.

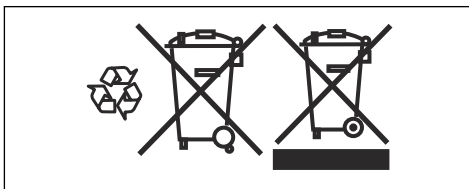
## Laikymas

- Prieš sandėliuodami, leiskite gaminiiui atvėsti.
- Sandėliuodami visuomet išimkite akumuliatorių.
- Kad išvengtumėte nelaimingų atsitikimų, įsitikinkite, jog akumulatorius sandėliuojant nėra prijungtas prie gaminio.
- Akumulatoriaus įkroviklį laikykite uždaroje ir sausoje aplinkoje.
- Akumuliatorių ir akumulatoriaus įkroviklį laikykite sausoje ir šiltoje vietoje.
- Sandėliuodami atjunkite akumuliatorių nuo akumulatoriaus įkroviklio.
- Nelaikykite akumulatoriaus tokioje vietoje, kur gali susidaryti statinis krūvis. Nelaikykite akumulatoriaus metalinėje dėžutėje.
- Gaminį saugokite vietoje, kurios aplinkos temperatūra yra nuo –10 °C iki 40 °C.
- Akumuliatorių laikykite vietoje, kurios aplinkos temperatūra yra nuo 5 °C iki 25 °C ir kurios nepasiekia tiesioginiai saulės spinduliai.
- Akumulatoriaus įkroviklį laikykite vietoje, kurios aplinkos temperatūra yra nuo 5 °C iki 45 °C ir kurios nepasiekia tiesioginiai saulės spinduliai.

## Utilizavimas

Ant gaminio ar ant jo pakuotės pateikti simboliai rodo, kad šio gaminio negalima išmesti kartu su buitėmis atliekomis. Įrenginį reikia atiduoti į atitinkamą perdirbimo įmonę, kuri utilizuotų elektrines ir elektronines dalis.

Rūpindamiesi, kad šis gaminys būtų tvarkomas teisingai, padedate išvengti galimo neigiamo poveikio aplinkai ir žmonėms, kurį gali sukelti netinkamas šio gaminio atliekų tvarkymas. Jei reikia daugiau informacijos apie šio gaminio perdirbimą, kreipkitės į savivaldybę, buitinių atliekų tvarkymo tarnybą arba parduotuvę, kurioje įsigijote gaminį.



## Techniniai duomenys

### Techniniai duomenys

	LC 247I	LC 347IVX	LC 353IVX
<b>Peilių variklis</b>			
Variklio tipas	BLDC (be šepetėlių) 36 V	BLDC (be šepetėlių) 36 V	BLDC (be šepetėlių) 36 V
Variklio greitis – „Save“, rpm	2600/min	2600/min	2600/min
Variklio greitis – nominalus, rpm	3000/min	3000/min	3000/min
Variklio greitis – didelė apkrova, rpm	3500/min	3500/min	3500/min
Variklio galingumas – maks., kW	0,96	0,96	1,05
Variklio galingumas – nominalus, kW	0,75	0,75	0,9
<b>Pavaros variklis</b>			



	LC 247i	LC 347iVX	LC 353iVX
Variklio galingumas – nominalus, kW	Netaikoma	0,25	0,25
Savaeigis greitis, km/h	Netaikoma	3,0–4,5	3,0–4,5
Greičio reguliavimo lygiai	Netaikoma	4	4
<b>Svoris</b>			
Svoris be maišo (be akumulatoriaus), kg	24,5	26	28
Svoris su maišu (su 2 x „BLi30“), kg	30,5	32,0	34,5
<b>Akumulatorius</b>			
Akumulatoriaus tipas	„Husqvarna“ akumuliatorių serija		
<b>Akumulatoriaus veikimo laikas</b>			
Akumulatoriaus veikimo laikas, min. (laisva eiga) įjungus „Save“ funkciją, su vienu „Husqvarna“ 7,7 Ah akumuliatoriumi („BLi30“).	62	62	46
Akumulatoriaus veikimo laikas, min. (laisva eiga) standartiniu režimu, su vienu „Husqvarna“ 7,7 Ah akumuliatoriumi (BLi30).	43	43	28
<b>Skleidžiamas triukšmas</b> <sup>58</sup>			
Garso galios lygis, išmatuotas dB (A)	94	94	97
Garso galios lygis, garantuojamas L <sub>WA</sub> dB (A)	95	95	98
<b>Garso lygiai</b> <sup>59</sup>			
Naudotojo ausį veikiantis garso slėgis, dB (A)	82	82	86
<b>Vibracijos lygis</b> <sup>60</sup>			
Rankena, m/s <sup>2</sup>	0,42	0,42	2,64
<b>Pjovimo įranga</b>			
Pjovimo aukštis, mm	20–75 mm	20–75 mm	20–75 mm
Pjovimo plotis, cm	47	47	53
Peilio standartas	Surinkimo 5905934-10	Surinkimo 5905934-10	Surinkimo 5940757-10
Peilio priedai	Mulčiavimo 5907010-10	Mulčiavimo 5907010-10	Mulčiavimo 5950072-10
Žolės rinktuvo galia, litrais	55	55	60

<sup>58</sup> Triukšmas, skleidžiamas į aplinką, išmatuotas kaip garso galia (L<sub>WA</sub>) pagal EB direktyvą 2000/14/EB.

<sup>59</sup> Nurodyto triukšmo slėgio lygio paklaidos veiksnys (K) – 1,5 dB(A).

<sup>60</sup> Nurodyto vibracijos lygio paklaidos veiksnys (K) – 1,5 m/s<sup>2</sup>. Nurodyta suminė vibracijos vertė išmatuota pagal EN 62841-4-3, I priedą, ir ją galima naudoti norint palyginti vieną įrenginį su kitu bei atliekant preliminarų poveikio vertinimą.

„Bluetooth®“ radijo dažnio duomenys	LC 247I	LC 347IVX	LC 353IVX
Dažnių juostos, GHz	Netaikoma	2,4–2,4835	2,4–2,4835
Išvesties galia, maks. dBm	Netaikoma	4	4

Patvirtinti akumulatoriai	Tipas	Akumulatoriaus talpa, Ah	Įtampa, V	Svoris, svar. / kg
BLi20	Ličio jonų	4,0	36	2,6 / 1,2
BLi30	Ličio jonų	7,7	36	4,2 / 1,9

Patvirtinti įkrovikliai nurodytiems akumulatoriams, BLi	Įvado įtampa, V	Dažnis, Hz	Galia, W
QC80	100–240	50–60	80
40-C80	100–240	50–60	68,8
QC250	100–240	50–60	250

# Atitikties deklaracija

## ES atitikties deklaracija

Mes, **Husqvarna AB**, SE-561 82 Huskvarna, Švedija, tel.  
+46-36-146500, atsakingai patvirtiname, kad gaminys:

<b>Aprašymas</b>	Vejapjovė
<b>Gamintojas</b>	Husqvarna
<b>Tipas / modelis</b>	LC 247i
<b>Identifikacijos numeris</b>	Serijos numeriai nuo šios datos: 2021 ir vėlesni

visiškai atitinka šias ES direktyvas ir reglamentus:

<b>Direktyva / reglamentas</b>	<b>Aprašymas</b>
2006/42/EB	„dėl mašinų“
2014/30/ES	dėl elektromagnetinio suderinamumo
2000/14/EB	„dėl į aplinką skleidžiamo triukšmo“
2011/65/ES	„dėl tam tikrų pavojingų medžiagų naudojimo elektros ir elektroninėje įrangoje apribojimo“

ir kad laikomasi šių standartų ir (arba) techninių specifikacijų: EN 62841-1:2015+AC:2015, EN 62841-4-3:2021+A11:2021, EN ISO 12100:2010, EN 55014-1:2017+A11:2020, EN 55014-2:2015, EN IEC 63000:2018.

Notifikuotoji įstaiga: 0404, RISE SMP Svensk Maskinprovning AB, Box 7035, SE-750 07 Uppsala, patvirtino atitiktį Tarybos direktyvai 2000/14/EB; atitikties įvertinimo procedūra: VI priedas.

Daugiau informacijos apie triukšmo emisiją žr.  
*Techniniai duomenys psl. 380.*

Huskvarna, 2021-12-01



Claes Losdal, plėtros vadovas / sodo gaminiai,  
„Husqvarna AB“,

Atsakingas už techninę dokumentaciją



## ES atitikties deklaracija

Mes, **Husqvarna AB**, SE-561 82 Huskvarna, Švedija, tel. +46-36-146500, atsakingai patvirtiname, kad gaminy:

<b>Aprašymas</b>	Vejapjovė
<b>Gamintojas</b>	Husqvarna
<b>Tipas / modelis</b>	LC 347iVX, LC 353iVX
<b>Identifikacijos numeris</b>	Serijos numeriai nuo šios datos: 2021-12-01 ir vėlesni

visiškai atitinka šias ES direktyvas ir reglamentus:

Direktyva / reglamentas	Aprašymas
2006/42/EB	„dėl mašinų“
2014/53/ES	„dėl radijo įrangos“
2000/14/EB	„dėl į aplinką skleidžiamo triukšmo“
2011/65/ES	„dėl tam tikrų pavojingų medžiagų naudojimo elektros ir elektroninėje įrangoje apribojimo“

ir kad laikomasi šių standartų ir (arba) techninių specifikacijų: EN 62841-1:2015+AC:2015, EN 62841-4-3:2021+A11:2021, EN ISO 12100:2010, EN 55014-1:2017+A11:2020, EN 55014-2:2015, EN IEC 63000:2018, EN ETSI 300 328 v.2.2.2, EN 50663: 2017, ETSI EN 301 489-1 V2.2.3, ETSI EN 301 489-17 V3.2.4.

Notifikuotoji įstaiga: 0404, RISE SMP Svensk Maskinprovning AB, Box 7035, SE-750 07 Uppsala, patvirtino atitiktį Tarybos direktyvai 2000/14/EB; atitikties įvertinimo procedūra: VI priedas.

Daugiau informacijos apie triukšmo emisiją žr. *Techniniai duomenys psl. 380.*

Huskvarna, 2021-12-01

Claes Losdal, plėtos vadovas / sodo gaminiai, „Husqvarna AB“;

Atsakingas už techninę dokumentaciją



---

## Registruotieji prekiniai ženklai

---

*Bluetooth®* pavadinimas ir logotipai yra registruotieji prekės ženklai, priklausantys *Bluetooth SIG, inc.*, ir Husqvarna juos naudoja pagal licenciją.

---

## Saturs

---

Ievads.....	385	Problēmu novēršana.....	402
Drošība.....	387	Pārvadāšana, glabāšana un utilizēšana.....	405
Montāža.....	393	Tehniskie dati.....	406
Lietošana.....	394	Atbilstības deklarācija.....	409
Apkope.....	400	Reģistrētās preču zīmes.....	410

---

## Ievads

---

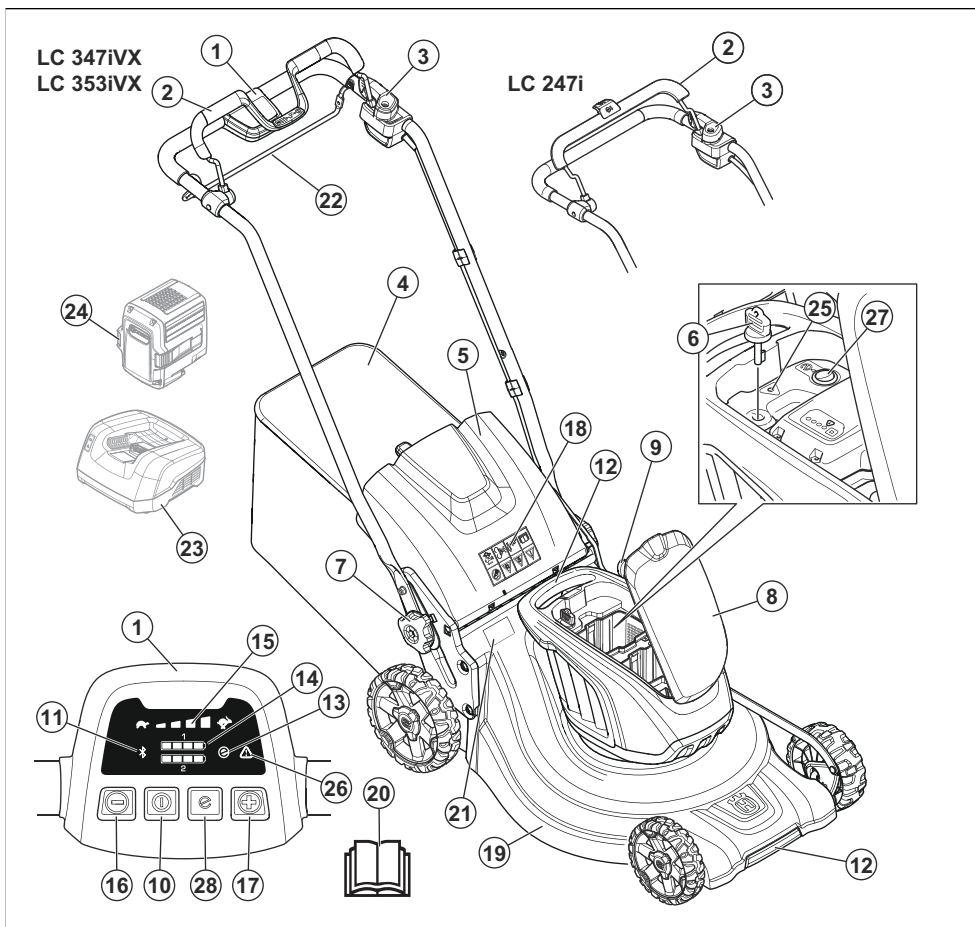
### Izstrādājuma apraksts

Izstrādājums ir gājējam vadāmais rotējošais zāles plāvējs. Zāle tiek savākta zāles savācējā. Lai piekļūtu zāles aizmugurējam izmetējam, noņemiet zāles savācēju. Lai sagrieztu zāli mēslojumam, piestipriniet mulčēšanas komplektu (papildpiederumu).

### Paredzētā lietošana

Izmantojiet izstrādājumu, lai apgrieztu zāli. Nelietojiet izstrādājumu citiem uzdevumiem.

## Izstrādājuma pārskats



- |   |   |
|---|---|
| 1. Vadības panelis (LC 347iVX, LC 353iVX)                         | 16. Ātruma samazināšanas poga (LC 347iVX, LC 353iVX)  |
| 2. Motora bremžu rokturis   | 17. Ātruma palielināšanas poga (LC 347iVX, LC 353iVX) |
| 3. Iedarbināšanas ierobežotājs                                    | 18. Simboli   |
| 4. Zāles uztvērējs  | 19. Pļaušanas pārsegs                                 |
| 5. Aizmugurējais aizsegs  | 20. Lietotāja rokasgrāmata                            |
| 6. Drošības atslēga   | 21. Datu plāksnīte                                    |
| 7. Roktura kloķis   | 22. Piedziņas rokturis (LC 347iVX, LC 353iVX)         |
| 8. Akumulatora pārsegs  | 23. Akumulatora lādētājs (piederums)                  |
| 9. Griešanas augstuma vadības ierīce                              | 24. Akumulators (piederums)                           |
| 10. Ieslēgšanas/izslēgšanas slēdzis                               | 25. Kļūdu LED indikators (LC 247i)                    |
| 11. Bezvadu tehnoloģijas <i>Bluetooth</i> <sup>®</sup> indikators | 26. Kļūdu LED indikators (LC 347iVX, LC 353iVX)       |
| 12. Pacelšanas rokturi  | 27. Saglabāšanas poga (LC 247i)                       |
| 13. Indikators SavE   | 28. Saglabāšanas poga (LC 347iVX, LC 353iVX)          |
| 14. Akumulatora indikators  |   |
| 15. Ātruma līmeņa indikators (LC 347iVX, LC 353iVX)               |   |

## Simboli uz izstrādājuma

norādīts sadaļā *Tehniskie dati lpp. 406* un uz marķējuma.



BRĪDINĀJUMS.



Izlasiet norādījumus.



BRĪDINĀJUMS. Sargieties no izvīstiem priekšmetiem.



Nepieļaujiet citu personu atrašanos darba zonā.



BRĪDINĀJUMS. Netuviniet rokas un kājas asmeņiem.



BRĪDINĀJUMS. Pirms apkopes atvienojiet akumulatoru.



Izstrādājums vai iepakojums nav sadzīves atkritumi. Utilizējiet to elektrisko un elektronisko ierīču pārstrādes uzņēmumā.



Šis produkts atbilst spēkā esošajām EK direktīvām.



Trokšņa emisijas uz vidi marķējums saskaņā ar ES un Apvienotās Karalistes direktīvām un noteikumiem. Produkta garantētais skaņas jaudas līmenis ir

## IPX1

Produkts ir aizsargāts pret šķidrumu iekļūšanu tajā.



Atlaidiet motora bremžu rokturi, lai apturētu.



Skenējams kods

**Piezīme:** Pārējie uz izstrādājuma norādītie simboli/norādes atbilst dažu valstu sertifikācijas prasībām.

## Marķējumi uz izstrādājuma



**BĪSTAMI!** Netuviniet rokas un kājas.

## Atbildība par izstrādājuma kvalitāti

Saskaņā ar likumiem par izstrādājuma kvalitāti mēs neuzņemamies atbildību par bojājumiem, ko radījis mūsu izstrādājums, ja:

- ir veikts nepareizs izstrādājuma remonts;
- izstrādājuma remonts ir veikts, izmantojot detaļas, ko nav nodrošinājis vai apstiprinājis ražotājs;
- izstrādājumam tiek pievienots piederums, ko nav nodrošinājis vai apstiprinājis ražotājs;
- izstrādājuma remonts nav veikts pilnvarotā remontdarbnīcā vai pie pilnvarota speciālista.

## Drošība

### Drošības definīcijas

Brīdinājumi, norādes "Uzmanību!" un piezīmes tiek izmantotas, lai izceltu īpaši svarīgas lietotāja rokasgrāmatas daļas.



**BRĪDINĀJUMS:** Tiek izmantota tad, ja rokasgrāmatā sniegto instrukciju neievērošanas dēļ operatoram vai blakus esošajām personām draud traumu vai nāves risks.



**IEVĒROJIET:** Tiek izmantota tad, ja rokasgrāmatā sniegto instrukciju neievērošanas dēļ rodas izstrādājuma, citu materiālu vai blakus esošās teritorijas bojājuma risks.

**Piezīme:** Tiek izmantota, lai sniegtu plašāku informāciju, kas nepieciešama attiecīgajā situācijā.

## Vispārīgi izstrādājuma drošības brīdinājumi



**BRĪDINĀJUMS:** Izlasiet visus drošības brīdinājumus, norādījumus, apskatiet attēlus un tehniskos datus, kas iekļauti šī izstrādājuma komplektā. Tālāk norādīto brīdinājumu un norādījumu neievērošana var radīt strāvas triecienu, aizdegšanos un/vai nopietnas traumas.

Saglabājiet visus brīdinājumus un norādījumus turpmākām uzziņām. Brīdinājumos izmantotais termins "izstrādājums" attiecas uz elektrisku izstrādājumu (ar barošanas kabeli) vai uz izstrādājumu ar akumulatoru (bez barošanas kabeļa).

### Darba zonas drošība

- **Darba zonai jābūt tīrai un labi apgaismotai.** Nekārtīgās un tumšās vietās bieži notiek negadījumi.
- **Nelietojiet izstrādājumu sprādzienbīstamā vidē, piemēram, viegli uzliesmojošu šķidrums, gāzu vai putekļu tuvumā.** Produkta rada dzirksteles, kas var izraisīt putekļu vai izgarojumu aizdegšanos.
- **Produkta lietošanas laikā neļaujiet tuvumā atrasties bērniem un citām personām.** Uzmanības novēršanas dēļ varat zaudēt kontroli.

### Elektrodrošība

- **Izstrādājuma kontaktspraudņiem jāatbilst elektroflīka kontaktligzdām.** Nekādā gadījumā nepārveidojiet kontaktspraudni! Iezemētiem izstrādājumiem nedrīkst izmantot nekādus pārejas spraudņus. Nepārveidoti kontaktspraudņi un atbilstošas kontaktlīdzas samazina strāvas triecienu risku.
- **Nepakļaujiet ķermeņa saskari ar iezemētām virsmām, piemēram, caurulēm, radiatoriem, plītiem un ledusskapjiem.** Ja ir izveidojies ķermeņa zemējums, pastāv paaugstināts strāvas triecienu risks.
- **Nepakļaujiet izstrādājumu lietus vai mitruma iedarbībai.** Ūdens, kas iekļuvis izstrādājumā, palielina elektriskās strāvas triecienu risku.
- **Lietojot kabeli, ievērojiet piesardzību.** Nekad neizmantojiet barošanas kabeli ierīces pārmēsāšanai, vilkšanai vai atvienošanai no kontaktligzdas. Sargiet kabeli no karstuma, eļļas, asām malām un kustīgām detaļām. Bojāti vai savijušies vadi paaugstina strāvas triecienu risku.

- **Lietojot izstrādājumu ārpus telpām, izmantojiet piemērotu ārpustelpu pagarinātāju.** Lietošanai ārpus telpām piemērota pagarinātāja lietošana samazina elektriskās strāvas triecienu risku.
- **Ja no izstrādājuma lietošanas mitros apstākļos nevar izvairīties, izmantojiet paliekošās strāvas ierīci (Residual Current Device, RCD).** Izmantojot RCD, tiek samazināts elektriskās strāvas triecienu risks.

### Individuālā aizsardzība

- **Lietojot izstrādājumu, ievērojiet piesardzību, pārdomājiet savas darbības un rīkojieties saprātīgi.** Nelietojiet izstrādājumu, kad esat noguris vai narkotiku, alkohola vai zāļu iespaidā. Pat neuzmanības mirklis, lietojot izstrādājumu, var radīt smagu traumu.
- **Lietojiet individuālos aizsardzības līdzekļus.** Vienmēr lietojiet acu aizsargus. Individuālo aizsardzības līdzekļu, piemēram, putekļu maskas, aizsargapavu ar neslīdošām zolēm, ķiveres vai dzirdes aizsarglīdzekļu, lietošana attiecīgos apstākļos samazina traumu gūšanas risku.
- **Nepieļaujiet nejašu ieslēgšanu.** Pirms produkta pievienošanas strāvas padeves avotam un/vai akumulatoram, pacelšanas vai pārvietošanas pārbaudiet, vai slēdzis ir izslēgtā stāvoklī. Izstrādājuma pārnēsāšana, turot pirkstu uz slēdža, vai izstrādājuma pieslēgšana barošanai, ja ir ieslēgts slēdzis, var izraisīt negadījumus.
- **Pirms produkta ieslēgšanas noņemiet regulēšanas atslēgu vai uzgriežņu atslēgu.** Uz produkta rotējošajām detaļām atstāta uzgriežņu atslēga vai atslēga var radīt traumu.
- **Nesniedzieties pārāk tālu.** Vienmēr stāviet stabili un saglabājiet līdzsvaru. Tādējādi var labāk vadīt produktu negaidītās situācijās.
- **Attiecīgi apģērbieties.** Nevalkājiet vaļīgu apģērbu vai rotaslietas. Nepieļaujiet matu un apģērba saskari ar kustīgajām daļām. Vaļīgas drēbes, rotaslietas vai gari mati var iekļerties kustīgajās detaļās.
- **Ja komplektācijā ir iekļautas pievienojamas putekļu iesūkšanas ierīces un savākšanas tvertnes, pārbaudiet, vai tās ir pietiprinātas un tiek pareizi izmantotas.** Putekļu savākšanas līdzekļu izmantošana var samazināt putekļu radītos draudus.
- **Nekļūstiet nevērīgs pret darbarīka drošas izmantošanas principiem un neignorējiet tos pat tad, ja bieži izmantojat darbarīkus un esat ļoti apguvis to lietošanu.** Neuzmanīga rīcība var izraisīt nopietnu traumu vienā acumirkli.

### Izstrādājuma lietošana un apkope

- **Nespiediet produktu ar spēku.** Izmantojiet konkrētajam darbam piemērotu produktu. Izmantojot pareizo produktu ar tam paredzēto ātrumu, darbu var paveikt labāk un drošāk.
- **Nelietojiet produktu, ja, nospiežot slēdzi, tas neieslēdzas vai neizslēdzas.** Produkts, kuru nevar



vadīt, izmantojot slēdzi, rada draudus un ir jāremontē.

- **Pirms jebkādu regulēšanas darbu veikšanas, piederumu maiņas vai izstrādājuma novietošanas uzglabāšanai atvienojiet kontaktspraudni no barošanas avota un/vai izņemiet akumulatoru.** Šādi piesardzības pasākumi samazina produkta nejaušas palaišanas risku.
- **Ja izstrādājumu neizmantojat, novietojiet to bērniem nepieejamā vietā un neļaujiet to lietot personām, kas nepazīna tā lietošanu vai šeit sniegtos norādījumus.** Nonākot rokās lietotājam bez atbilstošām zināšanām, izstrādājumi ir bīstami.
- **Veiciet izstrādājumu un piederumu tehnisko apkopi.** Pārbaudiet kustīgo detaļu nobīdi vai šakēri, detaļu bojājumus un jebkādas citas faktorus, kas var ietekmēt izstrādājuma darbību. Ja izstrādājums ir bojāts, pirms tā lietošanas veiciet remontu. Daudzu nelaimes gadījumu iemesls ir slikti uzturēts izstrādājums.
- **Griezējinstrumenti jāuztur asi un tīri.** Pareizi uzturēti griezējinstrumenti ar asiem asmeņiem retāk saliecas, un tos ir vieglāk vadīt.
- **Lietojiet produktu, piederumus un asmeņus u.c. detaļas atbilstoši šeit sniegtajiem norādījumiem, ņemot vērā darba apstākļus un veicamos uzdevumus.** Produkta lietošana neparedzētiem mērķiem var radīt bīstamas situācijas.
- **Rokturiem un turēšanas virsmām ir jābūt sausām, tīrām un uz tām nedrīkst būt eļļas un smērvielas.** Slideni rokturi un satveršanas virsmas traucē drošu izstrādājuma izmantošanu un vadību negaidītās situācijās.

## Apkope

- **Uzticiet izstrādājuma apkopi kvalificētam remontdarbu speciālistam, kas izmanto tikai oriģinālas rezerves daļas.** Tādējādi tiks garantēta izstrādājuma lietošanas drošība.
- **Nekad neveiciet bojātu akumulatoru apkopi.** Akumulatoru apkopi drīkst veikt tikai ražotājs vai pilnvarots apkopes nodrošinātājs.

## Akumulatora rīka lietošana un apkope

- **Uzļādei izmantojiet tikai ražotāja norādīto lādētāju.** Lādētājs, kas ir piemērots viena tipa akumulatora blokam, var kļūt ugunsbīstams, lietojot to ar cita veida akumulatora bloku.
- **Izmantojiet iekārtas tikai ar tām paredzētajiem akumulatoru blokiem.** Jebkura cita akumulatora bloka lietošana var radīt traumas un ugunsgrēka risku.
- **Kad akumulatora bloks netiek izmantots, turiet to drošā attālumā no metāla priekšmetiem, piemēram, papīra saspaudzēm, monētām, atslēgām, naglām, skrūvēm un citiem nelieliem metāla priekšmetiem, kas var savienot spalles.** Akumulatora spaiļu savienošana var radīt apdegumus vai aizdegšanos.
- **Nepareizi lietojot, no akumulatora var iztecēt šķidrums; izvairieties no saskares ar to. Ja**

**nejauši notiek saskare, noskalojiet skarto vietu ar lielu daudzumu ūdens. Ja šķidrums iekļūst acīs, vēršieties pēc medicīniskās palīdzības.** No baterijas iztecējis šķidrums var radīt kairinājumu vai apdegumus.

- **Nelietojiet akumulatoru bloku vai darbarīku, ja tas ir bojāts vai pārveidots.** Bojāts vai pārveidots akumulators var darboties neparedzami, izraisot aizdegšanos, eksploziju vai traumu gūšanas risku.
- **Nepakļaujiet akumulatoru bloku vai darbarīku ugunij vai pārmērīgi augstai temperatūrai.** Ja pakļausit iekārtu uguns iedarbībai vai tādas temperatūras iedarbībai, kas pārsniedz 130°C (265°F), var notikt sprādziens.
- **Ņemiet vērā visas uzlādes instrukcijas un nelādējiet akumulatoru bloku vai darbarīku temperatūrā, kas ir ārpus instrukcijās norādītā diapazona.** Nepareiza uzlāde vai uzlāde temperatūrā, kas ir ārpus norādītā diapazona, var bojāt akumulatoru un palielināt ugunsgrēka risku.

## Zāles plāvēja drošības brīdinājumi

- **Nelietojiet zāles plāvēju sliktos laika apstākļos, jo īpaši tad, ja ir iespējams pērkona negaiss.** Tas palielina risku, ka jums varētu iespert zibens.
- **Rūpīgi pārbaudiet, vai teritorijā, kurā izmantosit zāles plāvēju, nav savvaļas dzīvnieku.** Zāles plaušanas laikā var tikt savainoti savvaļas dzīvnieki.
- **Rūpīgi pārbaudiet vietu, kur lietosit zāles plāvēju, un noņemiet akmeņus, zarus, vadus, kaulus un citus svešķermeņus.** Izsviesti priekšmeti var radīt smagu traumu.
- **Pirms zāles plāvēja lietošanas vienmēr vizuāli pārbaudiet, vai asmens un asmens mezgls nav nodilis vai bojāts.** Nodilušas vai bojātas detaļas palielina traumu gūšanas risku.
- **Pirms lietošanas pārbaudiet, vai nav redzamas barošanas kabeļa un pagarinātāja bojājuma vai nodiluma pazīmes.** Nelietojiet zāles plāvēju, ja barošanas kabelis ir bojāts vai nodilis. Ja barošanas kabelis zāles plāvēja lietošanas laikā tiek bojāts vai nolietojas, izslēdziet zāles plāvēju un nepieskarieties kabelim, pirms to atvienojat no barošanas avota. Bojāts barošanas kabelis vai pagarinātājs var izraisīt elektriskās strāvas triecienu, aizdegšanos un/vai radīt smagu traumu.
- **Regulāri pārbaudiet, vai zāles savācējs nav nodilis vai bojāts.** Noliecoties vai bojāts zāles uztvērējs var palielināt traumas gūšanas risku.
- **Vienmēr izmantojiet aizsargus.** Aizsargiem jābūt darba kārtībā un pareizi uzstādītiem. Valjīgs, bojāts aizsargs vai tāds, kas nedarbojas pareizi, var radīt traumu.
- **Visas dzesēšanas gaisa atveres vienmēr uzturiet tīras.** Nosprostoti gaisa ievadi un nefurmi var izraisīt pārkaršanu un aizdegšanos.
- **Izmantojot zāles plāvēju, vienmēr uzvelciet nesfidošus aizsargapavus.** Neizmantojiet zāles plāvēju, ja staigājāt basām kājām vai valējās

**sandalēs.** Tādējādi tiek samazināta iespēja gūt traumu, saskaroties ar kustīgu plaušanas asmeni.

- **Lietojot zāles plāvēju, vienmēr valkājiet garās bikses.** Nenosegta āda palielina izsviestu priekšmetu radītās traumas gūšanas iespēju.
- **Neizmantojiet zāles plāvēju mitrā zālē. Ejiet, nekādā gadījumā neskrīniet.** Šādi samazināsit paslīdēšanas un nokrišanas risku, kas var radīt traumas.
- **Nelietojiet zāles plāvēju lielā slīpumā.** Šādi samazināsit līdzsvara zuduma iespējamību, paslīdēšanas un nokrišanas risku, kas var radīt traumas.
- **Strādājot nogāzēs, vienmēr pārliecinieties par kāju novietojumu, vienmēr strādājiet šķērsām nogāzei, nekad augšup vai lejup un ievērojiet īpašu piesardzību, mainot virzienu.** Šādi samazināsit līdzsvara zuduma iespējamību, paslīdēšanas un nokrišanas risku, kas var radīt traumas.
- **Esiet īpaši uzmanīgi, virzoties atpakaļ vai velkot zāles plāvēju pie sevis. Vienmēr vērojiet apkārtni.** Šādi samazināsit zāles plāvēja apgāšanās risku strādājot.
- **Barošanas kabelis nedrīkst atrasties plaušanas asmeņu tuvumā.** Bojāts barošanas kabelis var izraisīt elektriskās strāvas triecienu, aizdegšanos un/vai radīt smagu traumu.
- **Izslēdziet zāles plāvēju un atvienojiet kabēļa spraudni no elektrotīkla, ja kabelis ir savijies vai bojāts.** Savijies vai bojāts barošanas kabelis palielina elektriskās strāvas trieciena risku.
- **Nepieskarieties asmeņiem un citām bīstamām rotējošām detaļām, kamēr tās vēl kustas.** Šādi samazināsit kustīgu detaļu radītu traumu risku.
- **Pirms izņemat iestrēgušu materiālu vai tīrāt zāles plāvēju, pārliecinieties, ka visi barošanas slēdži ir izslēgti un barošanas kabelis ir atvienots.** Neparedzēta zāles plāvēja darbība var radīt smagu traumu.

## Paliekošās strāvas ierīce

- Izmantojiet paliekošās strāvas ierīci ar vismaz 30 mA lielu ieslēgšanās strāvu.

## Vispārīgi norādījumi par drošību



**BRĪDINĀJUMS:** Pirms sākat lietot šo izstrādājumu, izlasiet tālāk izklāstītos brīdinājumus.

- Šis izstrādājums ir bīstams, ja to lieto nepareizi vai ja nerīkojaties piesardzīgi. Drošības instrukciju neievērošana var izraisīt traumas vai nāvi.
- Šis izstrādājums darbības laikā rada elektromagnētisko lauku. Zināmos apstākļos šis lauks var traucēt aktīvā vai pasīvā medicīniskā implantāta darbību. Lai samazinātu nopietnas traumas gūšanas vai dzīvības zaudēšanas risku, mēs iesakām personām, kam ir medicīniskie implantāti, pirms šī izstrādājuma lietošanas

konsultēties ar savu ārstu un medicīniskā implantāta ražotāju.

- Vienmēr rīkojieties piesardzīgi un saprātīgi. Ja neesat drošs par to, kā izmantot šo izstrādājumu konkrētā situācijā, pārtrauciet darbu un sazinieties ar savu Husqvarna izplatītāju, pirms turpināt.
- Paturiet prātā, ka operators ir atbildīgs par negadījumiem, kuros iesaistītas citas personas.
- Gādājiet, lai izstrādājums ir tīrs. Pārliecinieties, ka varat skaidri izlasīt zīmes un uzlīmes.
- Nekādā gadījumā neļaujiet lietot ierīci bērniem vai cilvēkiem, kas nepārzina instrukcijas. Lietotāja vecums var būt norādīts vietējos noteikumos.
- Ja izstrādājumu izmanto persona ar samazinātām fiziskajām vai garīgajām spējām, vienmēr uzraugiet šo personu. Tuvumā vienmēr jābūt pieaugušajam.
- Neizmantojiet šo izstrādājumu, ja esat noguris, slims vai esat alkohola, narkotiku vai medikamentu izraisītā reibumā. Šāds stāvoklis negatīvi ietekmē jūsu redzi, modrību, koordināciju un spriestspēju.
- Neizmantojiet izstrādājumu, ja tas ir bojāts.
- Neveiciet izmaiņas šajā izstrādājumā un neizmantojiet to, ja ir iespējams, ka citas personas tajā ir veikušas izmaiņas.

## Darba drošība



**BRĪDINĀJUMS:** Pirms sākat lietot šo izstrādājumu, izlasiet tālāk izklāstītos brīdinājumus.

- Izmantojiet šo izstrādājumu tikai zālienu plaušanai. Izstrādājumu nav atļauts izmantot citu darbu veikšanai.
- Lietojiet individuālos aizsardzības līdzekļus. Skatiet: *Individuālie aizsarglīdzekļi lpp. 391.*
- Pārliecinieties, vai zināt, kā ārkārtas situācijā ātri apturēt dzinēju.
- Nedarbiniet izstrādājumu lietus laikā un nepakļaujiet to lietus vai mitruma iedarbībai. Ja izstrādājumā iekļūst ūdens, palielinās elektrotraumas risks.
- Nedarbiniet izstrādājumu, ja asmens un visi pārsegi nav piestiprināti pareizi. Nepareizi piestiprināts asmens var kļūt vaļīgs un izraisīt traumas personai.
- Pārliecinieties, ka asmens neatsitas pret priekšmetiem, piemēram, akmeņiem un saknēm. Tas var sabojāt asmeni un saliekt dzinēja vārpstu. Saliekts asmens izraisa stipru vibrāciju un rada ļoti lielu risku, ka asmens kļūst vaļīgs.
- Ja asmens saskaras ar priekšmetu vai rodas spēcīgas vibrācijas, nekavējoties izslēdziet izstrādājumu. Izslēdziet dzinēju, pagrieziet drošības atslēgu pozīcijā "0" un izņemiet akumulatoru. Uzgaidiet, līdz kustīgās detaļas apstājas. Pārbaudiet, vai izstrādājumam nav bojājumu. Pievelciet vaļīgās detaļas. Novērsiet bojājumus un nomainiet bojātās detaļas. Uzticiet remontdarbu veikšanu apstiprinātam apkopes uzņēmumam.

- Nekādā gadījumā nepiestipriniet motora bremžu rokturi rokturim, kad motors ir iedarbināts.
- Novietojiet izstrādājumu uz stabilas, līdzsvarotās virsmas un iedarbiniet to. Pārliecinieties, vai asmens nepieskaras zemei vai citiem priekšmetiem.
- Darbinot izstrādājumu, vienmēr stāviet aiz tā.
- Lietojot izstrādājumu, pārbaudiet, lai visi riteņi atrodas uz zemes un turiet rokturi ar abām rokām. Turiet rokas un kājas drošā attālumā no rotējošiem nažiem.
- Nesasveriet zāles plāvēju, kad iedarbināt tā motoru vai zāles plāvēja lietošanas laikā.
- Esiet piesardzīgi, velkot izstrādājumu atpakaļ.
- Nekādā gadījumā neceliet izstrādājumu uz augšu motora darbības laikā. Ja zāles plāvējs ir jāpaceļ, vispirms izslēdziet dzinēju, pagrieziet drošības atslēgu pozīcijā "0" un izņemiet akumulatoru.
- Neejiet atmuguriski izstrādājuma lietošanas laikā.
- Apturiet motoru, ja nepieciešams savērt zāles plāvēju transportēšanai vai pirms pārvietošanās pa laukumiem bez zāles, piemēram, grants, akmens un asfalta ceļiem.
- Nekādā gadījumā neskrīniet ar izstrādājumu motora darbības laikā. Darbinot izstrādājumu, vienmēr ejiet.
- Apturiet dzinēju, pirms maināt griešanas augstumu. Nekādā gadījumā nemēģiniet veikt regulēšanu motora darbības laikā.
- Nekad neatstājiet izstrādājumu bez uzraudzības motora darbības laikā. Izslēdziet dzinēju un pārliecinieties, vai griešanas aprīkojums nerotē.
- Zāles plāvēja vibrācija darbības laikā var atšķirties no vibrācijas vērtības, kas norādīta *Tehniskie dati lpp. 406*. Atšķirības ir atkarīgas no zāles plāvēja izmantošanas veida. Ja zāles plāvējs tiek lietots bieži vai ilgstoši, regulāri ieturiet pauzes, lai novērstu vibrācijas radītas traumas.

## Norādījumi par drošu darbu

### Individuālie aizsarglīdzekļi



**BRĪDINĀJUMS:** Pirms sākat lietot šo izstrādājumu, izlasiet tālāk izklāstītos brīdinājumus.

- Šādi līdzekļi nevar pilnībā novērst traumu gūšanas risku, taču samazina traumu smaguma pakāpi, ja negadījums tomēr notiek. Ļaujiet izplatītājam palīdzēt jums izvēlēties pareizo aprīkojumu.
- Velciet izturīgus zābakus vai kurpes, kas neslīd. Nevelciet vaļējas kurpes un nējiet ar basām kājām.
- Uzvelciet izturīgas garās bikses.
- Vajadzības gadījumā izmantojiet aizsargcimdus, piemēram, piestiprinot, pārbaudot vai fīrot griešanas aprīkojumu.
- Ieteicams izmantot dzirdes aizsarglīdzekļus.

## Izstrādājuma drošības ierīces



**BRĪDINĀJUMS:** Pirms sākat lietot šo izstrādājumu, izlasiet tālāk izklāstītos brīdinājumus.

- Nelietojiet izstrādājumu, ja ir bojātas drošības ierīces.
- Nenoņemiet un nepārveidojiet drošības ierīces.
- Regulāri pārbaudiet drošības ierīces. Ja drošības ierīces ir bojātas, sazinieties ar savu Husqvarna servisa pārstāvi.

### Griezēja pārsega pārbaude

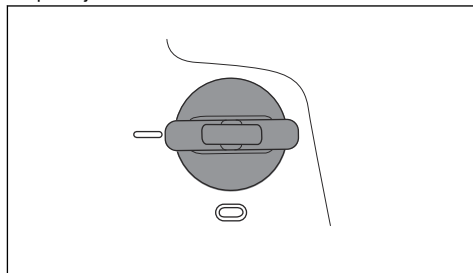
Griezēja pārsegs samazina izstrādājuma vibrācijas un asmens radītu ievainojumu gūšanas risku.

- Pārbaudiet griezēja pārsegu, lai pārliecinātos, vai nav bojājumu, piemēram, plaisu.

### Drošības atslēgas pārbaude

Drošības atslēga ir zem akumulatora pārsega. Drošības atslēga savieno akumulatoru, kas dzinējam nodrošina jaudu.

- Lai pārbaudītu drošības atslēgu, iedarbiniet un izslēdziet motoru.
- Ja drošības atslēga darbojas pareizi, motoru var iedarbināt tikai, kad drošības atslēga tiek pagriezta pozīcijā "1".

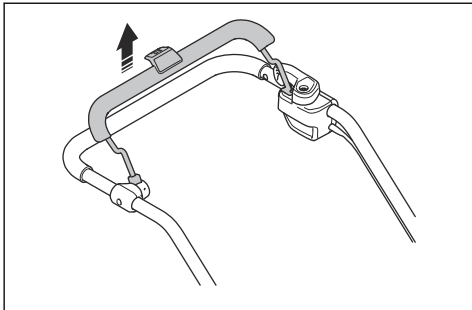


### Motora bremžu roktura pārbaude

Dzinēja bremžu rokturis aptur dzinēju. Atlaižot dzinēja bremžu rokturi, dzinējs apstājas.

- Iedarbiniet ierīci. Skatiet: *Lietošana lpp. 394*.

- Atbrīvojiet dzinēja bremžu rokturi.

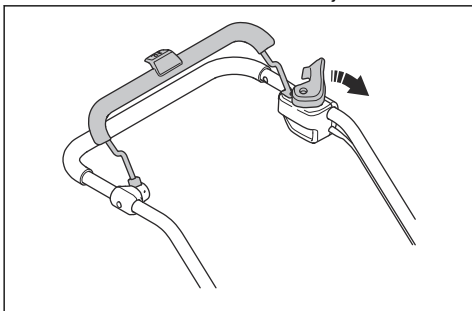


- Pārliecinieties, vai izstrādājums ir apstādināts. Ja dzinējs neapstājas 3 sekundēs, lieciet pilnvarotā Husqvarna apkopes pārstāvim noregulēt dzinēja bremzes.

### Iedarbināšanas ierobežotāja pārbaude

Pārbaudiet iedarbināšanas ierobežotāju, lai pārliecinātos, ka tas novērš dzinēja darbību.

1. Nospiediet motora bremžu rokturi roktura virzienā. Iedarbināšanas ierobežotājs aptur kustību.
2. Izstumiet iedarbināšanas ierobežotāju.



3. Atlaidiet iedarbināšanas ierobežotāju un pārliecinieties, ka tas atgriežas sākotnējā pozīcijā.

### Akumulatora drošība



**BRĪDINĀJUMS:** Pirms sākat lietot šo izstrādājumu, izlasiet tālāk izklāstītos brīdinājumus.

- Izmantojiet Husqvarna atkārtoti uzlādējamos akumulatorus kā strāvas avotu tikai saistītiem Husqvarna produktiem. Lai nepieļautu traumas gūšanas risku, akumulatoru nedrīkst izmantot kā citu izstrādājumu strāvas avotu.
- Nelietojiet vienreiz lietojamās baterijas.
- Elektriskās strāvas trieciena risks. Nesavienojiet akumulatora spaiļes ar atslēgām, monētām, skrūvēm vai citiem metāla priekšmetiem. Tas var izraisīt akumulatora īssavienojumu.

- Neievietojiet nekādus priekšmetus akumulatora gaisa atverēs.
- Neglabājiet akumulatoru vietās, ka ir pakļautas tiešai saulesgaismai, karstumam vai atklātām liesmām. Akumulators var eksplodēt un radīt apdegumus un/vai ķīmiskos apdegumus.
- Akumulatoru nedrīkst pakļaut lietus un mitruma ietekmei.
- Akumulatoru nedrīkst pakļaut mikroviļņu un augsta spiediena ietekmei.
- Akumulatoru nedrīkst izjaukt vai saspiest.
- Ja rodas akumulatora noplūde, neļaujiet šķidrumam nonākt saskarē ar ķermeni vai acīm. Ja pieskaraties šķidrumam, nomazgājiet skarto vietu ar lielu daudzumu ūdens un meklējiet medicīnisko palīdzību.
- Izmantojiet akumulatoru zāles plāvējā tikai, ja apkārtējās vides temperatūra ir diapazonā starp 5 un 40 °C.
- Izmantojiet akumulatora lādētāju tikai, ja apkārtējās vides temperatūra ir diapazonā starp 5 un 40 °C.
- Akumulators netiks uzlādēts, ja akumulatora temperatūra pārsniedz 50 °C.
- Neīriet akumulatoru un tā lādētāju ar ūdeni. Skatiet: *Akumulatora un akumulatora lādētāja tīrīšana lpp. 401.*
- Nelietojiet defektīvu vai bojātu akumulatoru.
- Uzglabājiet akumulatorus vietā, kur tuvumā nav metāla priekšmetu, piemēram, naglu, monētu, rotaslietu.

### Akumulatora lādētāja drošības norādes



**BRĪDINĀJUMS:** Pirms sākat lietot šo izstrādājumu, izlasiet tālāk izklāstītos brīdinājumus.

- Izmantojiet QC akumulatoru lādētājus tikai Husqvarna rezerves akumulatoru uzlādei.
- Pastāv elektriskās strāvas trieciena vai īssavienojuma risks. Neievietojiet nekādus priekšmetus lādētāja gaisa atverēs. Nemēģiniet demontēt akumulatora lādētāju. Nesavienojiet lādētāja spaiļes ar metāla priekšmetiem. Izmantojiet pārbaudītu elektrotīkla kontaktligzdu.
- Šis izstrādājums darbības laikā rada elektromagnētisko lauku. Zināmos apstākļos šis lauks var traucēt aktīvā vai pasīvā medicīniskā implantāta darbību. Lai samazinātu smagas vai letālas traumas risku, mēs iesakām personām, kurām ir medicīniskie implantāti, pirms šī izstrādājuma lietošanas konsultēties ar savu ārstu un medicīniskā implantāta ražotāju.
- Regulāri pārliecinieties, vai akumulatora lādētāja strāvas vads nav bojāts un vai tajā nav plaisu.
- Nevelciet akumulatora lādētāju aiz strāvas vada. Lai akumulatora lādētāju atvienotu no elektrotīkla kontaktligzdas, izraujiet kontaktdakšu. Nevelciet aiz strāvas vada.

- Strāvas vadu un pagarinājuma kabelus turiet tālāk prom no ūdens, eļļas un asām apmalēm. Nodrošiniet, lai kabelis netiktu iespiests durvīs, nožogojumos un līdzīgās konstrukcijās. Tādā gadījumā var notikt strāvas izvade no lādētāja.
- Netīriet akumulatora lādētāju ar ūdeni.
- Akumulatora lādētāju drīkst izmantot bērni no 8 gadu vecuma un cilvēki ar ierobežotām fiziskām, sensorām vai garīgām spējām vai bez pieredzes un zināšanām tikai atbildīgās personas uzraudzībā vai pēc norādījumu par akumulatora lādētāja lietošanu drošā veidā saņemšanas un iespējamo risku izprašanas. Bērni nedrīkst spēlēties ar šo akumulatora lādētāju. Ierīces tīrīšanu un apkopes darbus bērni drīkst veikt tikai atbildīgās personas uzraudzībā.
- Neizmantojiet akumulatora lādētāju tādu akumulatoru uzlādei, kas nav atkārtoti uzlādējami.
- Nelietojiet akumulatora lādētāju viegli uzliesmojošu materiālu vai materiālu, kas var izraisīt koroziju, tuvumā. Nepārkļāviet akumulatora lādētāju. Ja konstatējat dūmus vai uguni, izraujiet akumulatora lādētāja kontaktdakšu.
- Nelietojiet defektīvu vai bojātu akumulatora lādētāju.
- Lādējiet akumulatoru tikai telpā, kur ir laba gaisa plūsma un kur tas nav pakļauts saules gaismai. Nelādējiet akumulatoru mitrumā.
- Lai nepieļautu nejaušu iedarbināšanu apkopes laikā, pagrieziet drošības atslēgu stāvoklī "0" un izņemiet akumulatoru. Uzgaidiet vismaz 5 sekundes, pirms sākat apkopi.
- Veiciet tikai tos apkopes darbus, kas norādīti lietošanas rokasgrāmatā. Sarežģīti un profesionāli remontdarbi jāveic pilnvarotā apkopes uzņēmumā. Lai saņemtu papildinformāciju, sazinieties ar tuvāko apkopes pārstāvi.
- Veiciet apkopes darbus pareizi, lai palielinātu izstrādājuma darbmūžu un samazinātu nelaiemes gadījumu risku.
- Nomainiet bojātās, nodilušās un salūzušās detaļas. Izmantojiet tikai oriģinālās ražotāja rezerves daļas. Citas rezerves daļas var izraisīt izstrādājuma bojājumus un palielināt negadījumu risku.
- Nenonemiet un nepārveidojiet drošības ierīces, lai neradītu traumas.
- Lietojot griešanas aprīkojumu, uzvelciet izturīgus cimdus. Asmens ir ļoti ass, un ar to var viegli sagriezties.
- Uzturiet griezēja malas ir asas un tīras, lai nodrošinātu vislabāko un drošāko veiktspēju.
- Ļaujiet izstrādājumu regulāri pārbaudīt apkopes centra darbiniekiem un veikt nepieciešamos regulēšanas un remonta darbus.
- Ievērojiet piederumu maiņas norādījumus. Lietojiet tikai ražotāja apstiprinātos piederumus.
- Kad izstrādājumu neizmantojat, turiet to, akumulatoru un akumulatora lādētāju atstatu vienu no otra sausās un slēgtās telpās. Nodrošiniet, lai bērni un nepiederošas personas nepieklūst izstrādājumam, akumulatoram vai akumulatora lādētājam.

## Norādījumi par drošu apkopi



**BRĪDINĀJUMS:** Pirms sākat lietot šo izstrādājumu, izlasiet tālāk izklāstītos brīdinājumus.

## Montāža

### Ievads



**BRĪDINĀJUMS:** Pirms izstrādājuma montāžas izlasiet sadaļu par drošību.

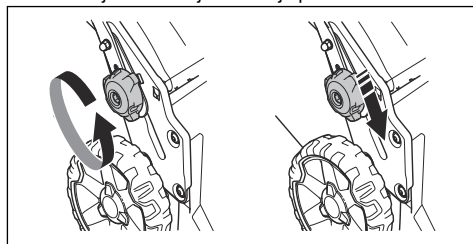


**BRĪDINĀJUMS:** Lai nepieļautu nejaušu iedarbināšanu montāžas laikā, pagrieziet drošības atslēgu pozīcijā "0", izņemiet akumulatoru un nogaidiet vismaz 5 sekundes.

### Roktura regulēšana

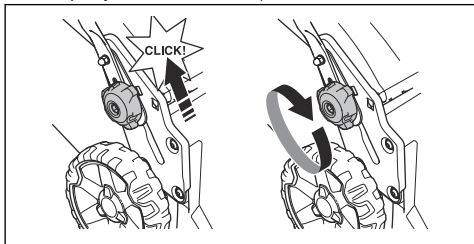
1. Atlaidiet apakšējos fiksatorus.

2. Pārvietojiet fiksatorus uz rievu apakšējo galu izstrādājuma kreisajā un labajā pusē.



3. Iestatiet roktura augstumu vienā no diviem pieejamiem stāvokļiem.

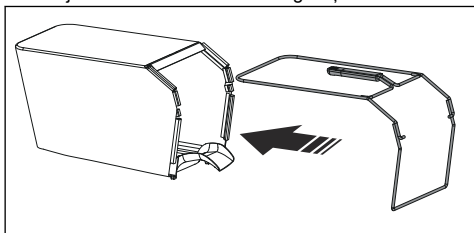
4. Pārvietojiet fiksatorus uz augšu roktura virzienā, līdz tie apstājas un atskan klikšķis.



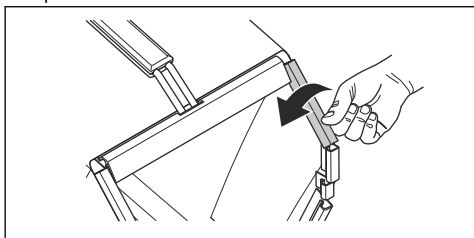
5. Pilnībā pievelciet fiksatorus.

## Zāles savācēja montāža

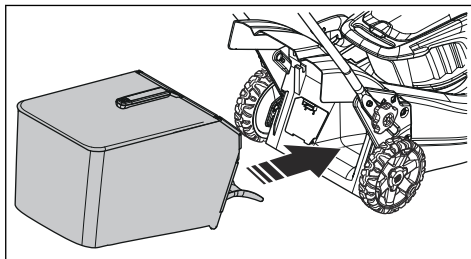
1. Piestipriniet zāles uztvērēja rāmi zāles maisam, lai maisa stingrā daļa būtu apakšā. Nodrošiniet, lai rāmja rokturis ir zāles maisa augšdaļā.



2. Iestipriniet zāles uztvērēja rāmja apakšdaļu zāles uztvērēja apakšdaļas rievā.
3. Piestipriniet zāles maisu zāles uztvērēja rāim ar spailēm.

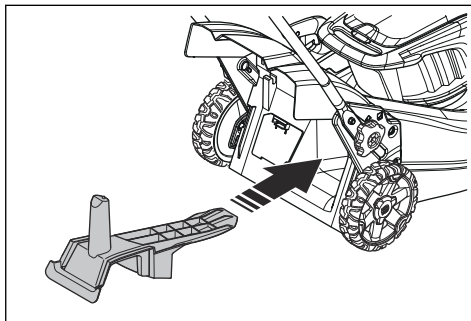


4. Paceliet aizmugurējo pārsegu.
5. Piestipriniet zāles savācēju pie šasijas augšmalas.
6. Ievietojiet zāles savācēja apakšējo daļu zāles izmešanas atverē.



## Mulčēšanas aizbāžņa (piederums) montāža

1. Paceliet aizmugurējo pārsegu un noņemiet zāles savācēju.
2. Ievietojiet mulčēšanas ieliktni zāles izmešanas atverē.



3. Nomainiet asmeni pret mulčēšanas asmeni, kas tiek nodrošināts mulčēšanas komplektā. Skatiet šeit: *Asmens nomaiņšana lpp. 401.*

## Lietošana

### Ievads



**BRĪDINĀJUMS:** Pirms sākat darbu ar produktu, izlasiet nodaļu par drošību un pārliecinieties, vai saprotat to.

### Husqvarna Connect

Husqvarna Connect ir bezmaksas lietotne jūsu mobilajai ierīcei. Lietotne Husqvarna Connect nodrošina paplašinātas funkcijas jūsu Husqvarna izstrādājumam:

- Paplašināta izstrādājuma informācija.

- Informācija par izstrādājuma daļām un apkopi un palīdzība ar to.

### Lai sāktu izmantot Husqvarna Connect

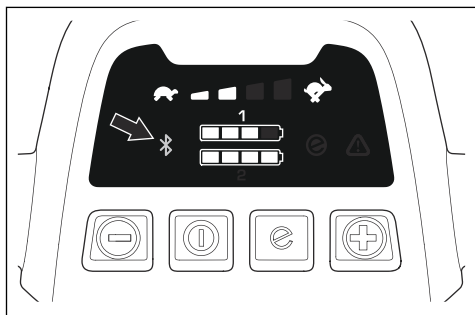
1. Lejupielādējiet lietotni Husqvarna Connect savā mobilajā ierīcē.
2. Reģistrējieties Husqvarna Connect lietotnē.
3. Izpildiet Husqvarna Connect lietotnē sniegtos norādījumus, lai pievienotu un reģistrētu izstrādājumu.

**Piezīme:** Lietotne Husqvarna Connect nav pieejama lejupielādei visos reģionos. Lai iegūtu plašāku informāciju, sazinieties ar apkopes sniedzēju.

## Bluetooth® Informācija (LC 347iVX, LC 353iVX)

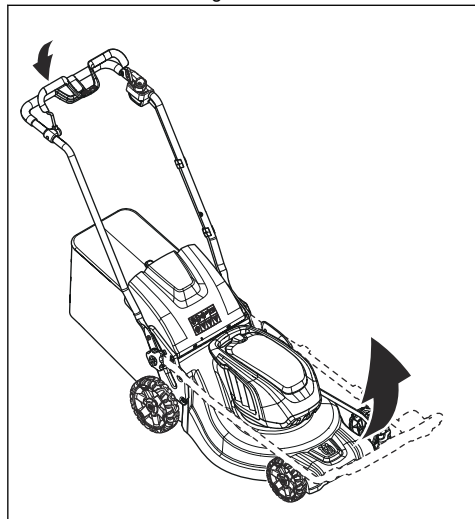
### Bezvadu tehnoloģija Bluetooth®

Bezvadu tehnoloģijas *Bluetooth®* simbols ieslēdzas, kad ar izstrādājumu ir savienota jūsu mobilā ierīce.

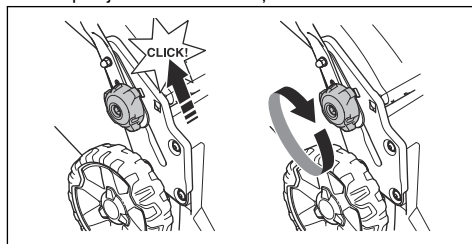


### Izstrādājuma novietošana darbības pozīcijā

1. Uzlokiet rokturi uz augšu.



2. Pārvietojiet fiksatorus uz augšu roktura virzienā, līdz tie apstājas un atskan klikšķis.



3. Pilnībā pievelciet fiksatorus.

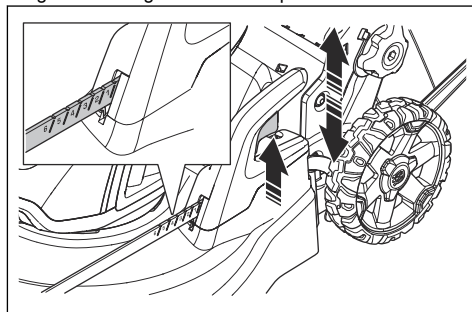


**BRĪDINĀJUMS:** Nelietojiet zāles plāvēju, kamēr tā rokturis nav pilnībā uzlocīts un iestatīts kādā no pieņemamiem augstuma stāvokļiem. Skatiet šeit: *Roktura regulēšana lpp. 393.*

### Ļaušanas augstuma regulēšana

Griešanas augstumu var noregulēt 6 līmeņos.

1. Lai samazinātu griešanas augstumu, pārvietojiet griešanas augstuma sviru uz aizmuguri.
2. Lai palielinātu griešanas augstumu, pārvietojiet griešanas augstuma sviru uz priekšu.



**IEVĒROJIET:** Neiestatiet griešanas augstumu pārāk zemu. Ja zāliena virsma nav līdzena, asmeņi var saskarties ar zemi.

### Akumulators



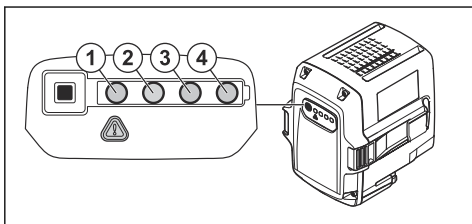
**BRĪDINĀJUMS:** Pirms izmantojat akumulatoru, izlasiet nodaļu par drošību un pārlicinieties, vai saprotat to. Izlasiet arī akumulatora un akumulatora lādētāja komplektā iekļauto lietotāja rokasgrāmatu un pārlicinieties, vai izprotat to.

Glabājiet akumulatoru un tā lādētāju pareizā apkārtējās vides temperatūrā.

	<b>Apkārtējās vides temperatūra</b>
Akumulatora darbinašana	5–40 °C
Akumulatora uzlāde	5–40 °C

## Akumulatora statuss

Displejā ir redzams akumulatora atlikušais uzlādes līmenis un akumulatora kļūdu ziņojumi. Akumulatora uzlādes līmenis ir redzams 5 sekundes pēc produkta izslēgšanas vai akumulatora indikatora pogas nospiešanas. Ja radusies kļūda, iedegas akumulatora brīdinājuma simbols. Skatiet šeit: *Akumulators lpp. 402.*



LED indikatori	Akumulatora statuss
Deg visi LED indikatori	Pilnībā uzlādēts (75–100%)
Deg 1., 2. un 3. LED indikatori	Akumulatora uzlādes līmenis ir 50–75%
Deg 1. un 2. LED indikatori	Akumulatora uzlādes līmenis ir 25–50%
Deg 1. LED indikators	Akumulatora uzlādes līmenis ir 0–25%
Mirgo 1. LED indikators	Akumulators ir tukšs. Uzlādējiet akumulatoru.

## Akumulatora uzlāde

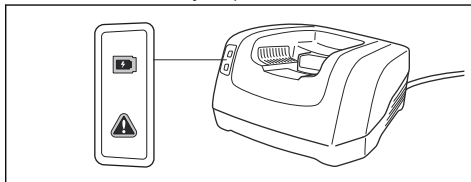
Pirms pirmās lietošanas reizes uzlādējiet akumulatoru. Akumulators ir tikai 30% uzlādēts, kad tiek piegādāts klientam.

**Piezīme:** Pievienojiet akumulatora lādētāju strāvas avotam, kura spriegums un frekvence atbilst uz datu plāksnītes norādītajiem.

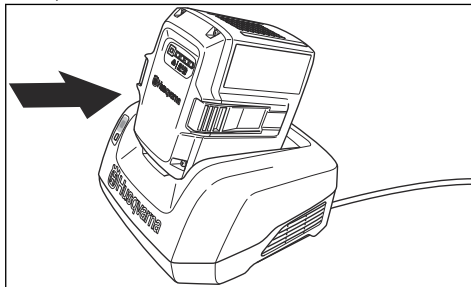
Akumulators netiek lādēts, ja tā temperatūra pārsniedz 50 °C. Akumulatora lādētājs samazina akumulatora temperatūru, pirms tiek sāktā uzlāde.

1. Savienojiet vienu akumulatora lādētāja strāvas vada galu ar akumulatora lādētāja ligzdu.

2. Savienojiet akumulatora lādētāja strāvas vada otru galu ar zemētu kontaktligzdu. Vienreiz iemirgosies akumulatora lādētāja zaļais LED indikators.



3. Ievietojiet akumulatoru lādētājā. Kad akumulators ir pareizi savienots ar akumulatora lādētāju, tajā deg zaļais indikators.



4. Kad deg visi akumulatora LED indikatori, akumulators ir pilnībā uzlādēts. Akumulatora uzlādes laiks nedrīkst pārsniegt 24 stundas.
5. Lai atvienotu akumulatora lādētāju no kontaktligzdas, velciet kontaktdakšu, nevis strāvas vadu.
6. Izņemiet akumulatoru no lādētāja.

## Akumulatora uzlādes statuss

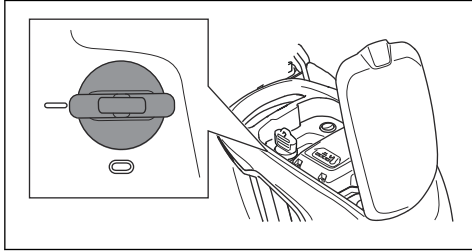
Husqvarna litija jonu akumulatoru drīkst uzlādēt un lietot neatkarīgi no uzlādes līmeņa. Akumulators netiek bojāts. Pilnībā uzlādēts akumulators nesamazinās uzlādes kapacitāti pat tad, ja pēc uzlādes to atstāj lādētājā.

LED indikatori	Uzlādes statuss
Mirgo 1. LED indikators	0–25%
Deg 1. LED indikators, mirgo 2. LED indikators	20–50%
Deg 1. un 2. LED indikatori, mirgo 3. LED indikators	50–75%
Deg 1., 2. un 3. LED indikatori, mirgo 4. LED indikators	75–100%
Deg 1., 2., 3. un 4. LED indikators	Pilnībā uzlādēts

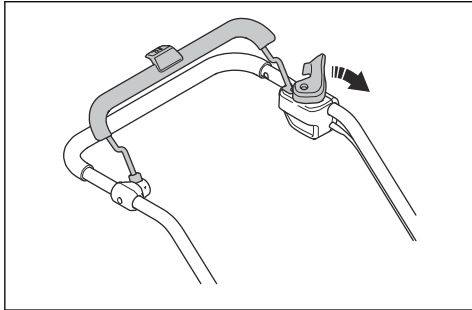


## Izstrādājuma iedarbināšana (LC 247i)

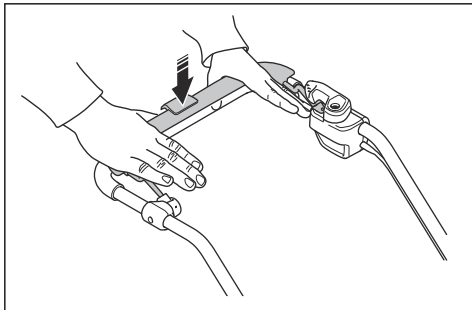
1. Atveriet akumulatora vāciņu.
2. Ievietojiet uzlādētu akumulatoru vienā no akumulatoru turētājiem. Lai nodrošinātu ilgāku darbību, ievietojiet otru uzlādētu akumulatoru otrajā akumulatora turētājā.
3. Pagrieziet drošības atslēgu stāvoklī "1".



4. Stāviet aiz izstrādājuma.
5. Atbrīvojiet iedarbināšanas ierobežotāju.



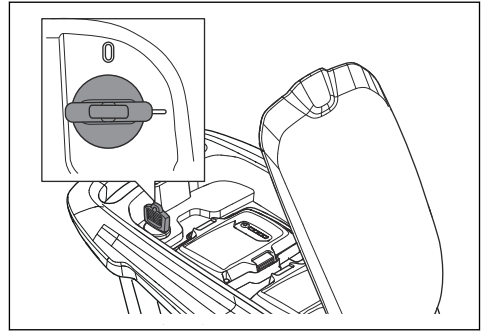
6. Nospiediet motora bremžu rokturi roktura virzienā.



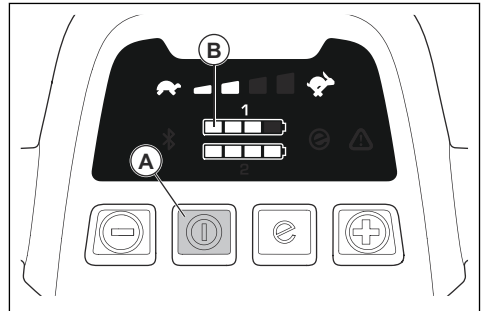
## Izstrādājuma iedarbināšana (LC 347iVX, LC 353iVX)

1. Atveriet akumulatora vāciņu.
2. Ievietojiet uzlādētu akumulatoru vienā no akumulatoru turētājiem. Lai nodrošinātu ilgāku darbību, ievietojiet otru uzlādētu akumulatoru otrajā akumulatora turētājā.

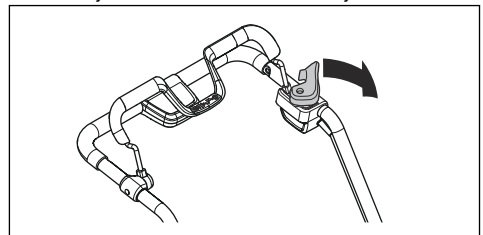
3. Pagrieziet drošības atslēgu stāvoklī "1".



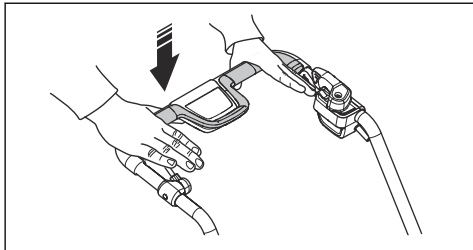
4. Stāviet aiz izstrādājuma.
5. Vadības pulstī nospiediet ieslēgšanas/izslēgšanas pogu (A). Ieslēdzas displejs. Akumulatora indikators (B) rāda 2 akumulatoru uzlādes līmeni. Blakus akumulatora indikatoram tiek rādīts tā akumulatora numurs, kas darbojas. Modeļiem LC 347iVX, LC 353iVX displejā tiek rādīts arī iestatītais ātrums.



6. Atbrīvojiet iedarbināšanas ierobežotāju.

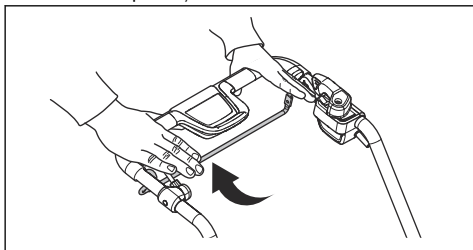


7. Nospiediet motora bremžu rokturi roktura virzienā.

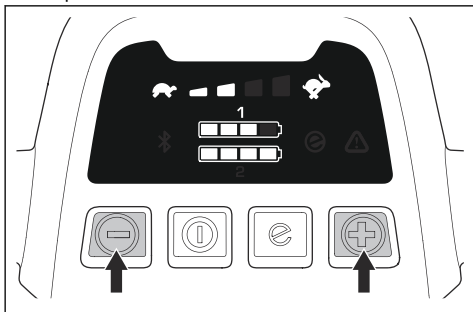


## Piedziņas izmantošana riteņiem LC 347iVX, LC 353iVX

- Velciet piedziņas rokturi stūres virzienā, lai iedarbinātu piedziņu.



- Lai iestatītu piedziņas ātrumu 4 soļos, vadības pulkšņi nospiediet + un -.

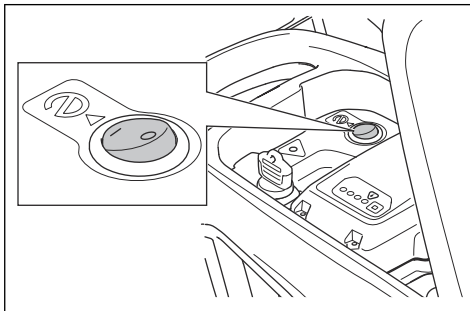


- Atļaidiet piedziņas rokturi, lai atvienotu piedziņu, piemēram, ja ejat tuvu šķērslim.

## Funkcijas SavE™ izmantošana (LC 247i)

Izstrādājumam ir akumulatora enerģijas taupīšanas funkcija (SavE™), kas nodrošina ilgāku akumulatora darbības laiku.

- Lai sāktu funkciju, nospiediet pogu SavE™ pozīcijā "1".



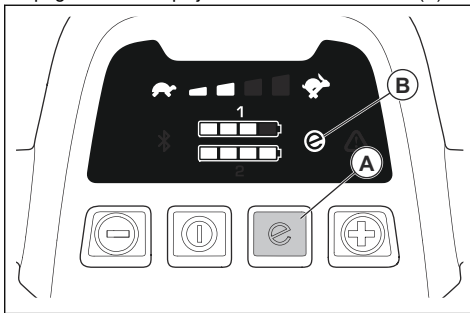
- Lai apturētu funkciju, nospiediet pogu SavE™ pozīcijā "0".

**Piezīme:** Funkcija SavE™ tiek apturēta automātiski, ja reljefa apstākļu dēļ ir nepieciešama augstāka jauda. Funkcija SavE™ automātiski tiek atsākta atkal, kad to atļauj reljefa apstākļi.

## Funkcijas SavE™ izmantošana (LC 347iVX, LC 353iVX)

Izstrādājumam ir akumulatora enerģijas taupīšanas funkcija (SavE™), kas nodrošina ilgāku akumulatora darbības laiku.

- Lai sāktu lietot funkciju, nospiediet pogu SavE™ (A). Displejā iedegas simbols SavE™ (B).
- Lai pārtraukt izmantot funkciju, nospiediet SavE™ pogu vēlreiz. Displejā izdzīst simbols SavE™ (B).



**Piezīme:** Funkcija SavE™ tiek apturēta automātiski, ja virsmas apstākļu dēļ ir nepieciešama lielāka jauda. Funkcijas SavE™ lietošana tiek sākta automātiski vēlreiz, kad virsmas apstākļi to pieļauj.

## Lielas slodzes funkcija

Ja ar produktu tiek griezta gara vai mitra zāle, dzinējs automātiski palielina apgriezīenu skaitu. Kad liela jauda nav nepieciešama, dzinējs pāriet atpakaļ standartā režīmā.

## Automātiska pārstartēšana

Darbības laikā amsens un motors var īslaicīgi apstāties šķēršļu dēļ, piemēram, uzkrājoties zālei zem plaušanas pārsega. Ja tā notiek un motora bremzes rokturis ir nospiests, zāles plāvējs mēģina automātiski atsākt darbību. Ja zāles plāvējs neatsāk darboties 5 sekunžu laikā, var būt nepieciešams iztīrīt plaušanas pārsega apakšdaļu. Skatiet šeit: *Produkta tīrīšana lpp. 401.*



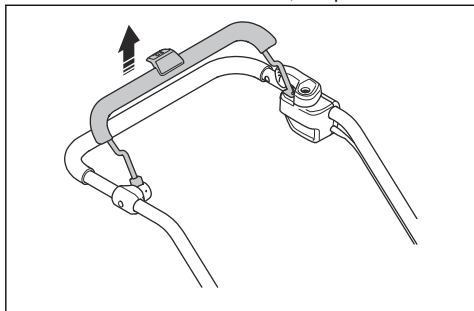
**BRĪDINĀJUMS:** Pirms plaušanas pārsega pārbaudes atlaidiet motora bremzes rokturi, pagrieziet drošības atslēgu stāvoklī 0, izņemiet akumulatoru un uzgaidiet vismaz 5 sekundes. Pastāv traumas gūšanas risks, ja šķērslis tiek noņemts un zāles plāvējs nejauši sāk darboties.

## Izstrādājuma izslēgšana (LC 247i)

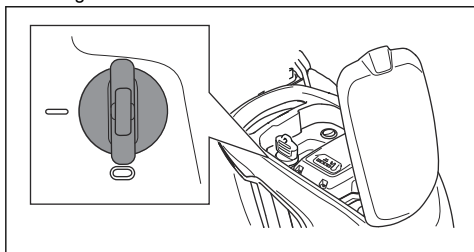


**BRĪDINĀJUMS:** Pagrieziet drošības atslēgu pozīcijā "0", pirms novērsat uzmanību no izstrādājuma

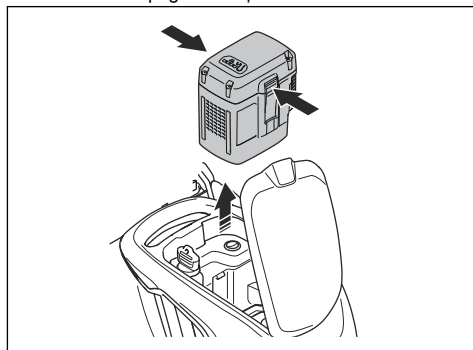
1. Atlaidiet motora bremžu rokturi, lai apturētu motoru.



2. Atveriet akumulatora pārsegu un pagrieziet drošības atslēgu stāvoklī "0".



3. Lai izņemtu akumulatoru, nospiediet abas atbrīvošanas pogas un izņemiet akumulatoru.



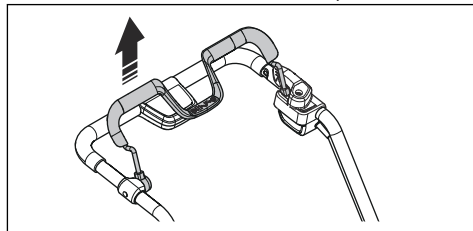
4. Ja akumulatora uzlādes līmenis ir nepietiekams, uzlādējiet akumulatoru. Papildinformāciju skatiet sadaļā *Akumulatora uzlāde lpp. 396.*

## Izstrādājuma izslēgšana (LC 347iVX, LC 353iVX)

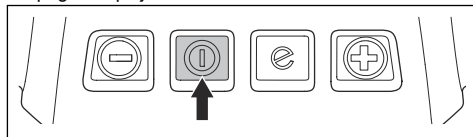


**BRĪDINĀJUMS:** Pagrieziet drošības atslēgu pozīcijā "0", pirms novērsat uzmanību no izstrādājuma

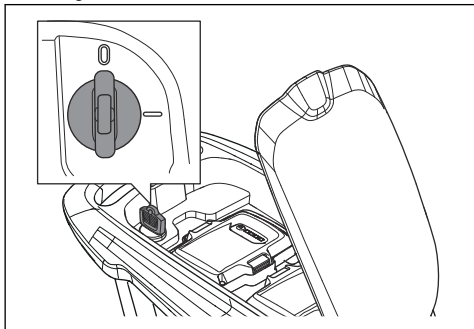
1. Atlaidiet motora bremžu rokturi, lai apturētu motoru.



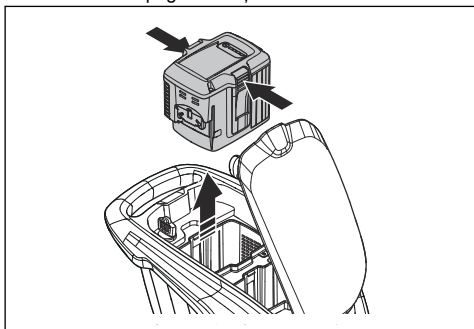
2. Vadības pultī nospiediet ieslēgšanas/izslēgšanas pogu. Displejā izdzies visi LED indikatori un simboli.



3. Atveriet akumulatora pārsegu un pagrieziet drošības atslēgu stāvoklī "0".



4. Lai izņemtu akumulatoru, nospiediet abas atbrīvošanas pogas un izņemiet akumulatoru.



5. Ja akumulatora uzlādes līmenis ir nepietiekams, uzlādējiet akumulatoru. Papildinformāciju skatiet sadaļā *Akumulatora uzlāde lpp. 396*.

**Piezīme:** Izstrādājumam tiek automātiski atslēgta barošana, ja to neizmanto dažas minūtes. Lai atkal iedarbinātu izstrādājumu, skatiet šeit: *Izstrādājuma iedarbināšana (LC 347iVX, LC 353iVX) lpp. 397*.

## Labā rezultāta panākšana

- Vienmēr lietojiet tikai asus asmeņus. Lietojot trulu asmeni, pļaušanas rezultāts ir nevienmērīgs, un noplautā zāles virsma kļūst dzeltena. Ass asmens arī patērē mazāk enerģijas nekā truls asmens.
- Neplaujiet vairāk par 1/3 no zāles garuma. Vispirms plaujiet ar lielu pļaušanas augstuma iestatījumu. Pārbaudiet rezultātu un nolaidiet pļaušanas augstumu līdz pieņemamam līmenim. Ja zāle ir ļoti gara, plaujiet lēni un, ja nepieciešams, dariet to divreiz.
- Katru reizi plaujiet dažādos virzienus, lai zālienā neatstātu svītras.
- Uzturiet pļaušanas pārsegu tīru. Zāles un neīrimum uzkrāšanās pļaušanas pārsega iekšpusē var pasliktināt pļaušanas rezultātu. Skatiet: *Produkta tīrīšana lpp. 401*.

## Zāles griešana bez pievienota zāles savācēja vai mulčēšanas aizbāžņa

- Paceliet aizmugurējo pārsegu un noņemiet zāles savācēju.
- Ja ir pievienots mulčēšanas aizbāznis un mulčēšanas asmens, noņemiet tos.
- Pirms produkta lietošanas aizveriet aizmugurējo vāku.

Kad lietojat produktu, nogrieztā zāles tiek izvadīta zem aizmugurējā pārsega.

## Apkope

### Ievads



**BRĪDINĀJUMS:** Pirms veicat apkopi, izlasiet nodaļu par drošību un pārliecinieties, vai izprotat to.

Lai veiktu visus izstrādājuma apkopes un remonta darbus, ir nepieciešama īpaša apmācība. Mēs garantējam profesionāla remonta un apkopes pieejamību. Ja jūsu izplatītājs nav servisa pārstāvis, vērsieties pie viņa, lai iegūtu informāciju par tuvāko servisa pārstāvi.

Papildinformāciju skatiet šeit: [www.husqvarna.com](http://www.husqvarna.com).

### Apkopes grafiks

Apkopes intervāli tiek aprēķināti atbilstoši izstrādājuma ikdienas lietošanai. Intervāli mainās, ja izstrādājumu neizmanto ikdienā.

Apkopei, kas atzīmēta ar zīmi \*, skatiet instrukcijas sadaļā *Drošība lpp. 387*.

	Katrā lietošanas reizē	Reizi mēnesī	Katru sezonu
Vispārējās pārbaudes veikšana	X		
Nofīriet izstrādājumu	X		

	Katrā lietošanas reizē	Reizi mēnesī	Katru sezonu
Pārbaudiet iedarbināšanas ierobežotāju*	X		
Pārliedzieties, vai produkta drošības ierīces nav defektīvas*	X		
Pārbaudiet griešanas aprīkojumu	X		
Pārbaudiet griešanas pārsegu*	X		
Pārbaudiet dzinēja bremžu rokturi*	X		
Pārliedzieties, vai ieslēgšanas/izslēgšanas poga darbojas pareizi un nav defektīva	X		
Pārbaudiet, vai akumulators nav bojāts	X		
Pārbaudiet akumulatora uzlādi	X		
Pārliedzieties, vai akumulatora atbrīvošanas pogas darbojas pareizi un vai produkta akumulators tiek nofiksēts vietā.	X		
Pārbaudiet, vai nav akumulatora bojājumu un pārliedzieties, vai tas darbojas pareizi.		X	
Pārbaudiet savienojumus starp akumulatoru un produktu. Pārbaudiet arī savienojumu starp akumulatoru un akumulatora lādētāju.			X

## Vispārējās pārbaudes veikšana

- Pārliedzieties, vai uzgriežņi un skrūves uz izstrādājuma ir cieši pievilkti.
- Pārliedzieties, vai produkta kabeli nav novietoti tā, ka tie var tikt bojāti.

## Produkta tīrīšana

- Plastmasas daļas notīriet ar tīru un sausu drāniņu.
- Produkta tīrīšanai neizmantojiet ūdeni. Ūdens var iekļūt akumulatorā vai dzinējā un rādīt īssavienojumu vai produkta bojājumus.
- Produktu nedrīkst skalot ar augstspiediena ūdens strūklu.
- Nekādā gadījumā neļiejet ūdeni tieši uz dzinēja.
- Izmantojiet suku, lai notīrītu lapas, zāli un neīrumus.

## Akumulatora un akumulatora lādētāja tīrīšana



**BRĪDINĀJUMS:** Netīriet akumulatoru un tā lādētāju ar ūdeni.

- Pirms ievietojat akumulatoru lādētājā, pārliedzieties, vai akumulators un akumulatora lādētājs ir tīri un sausi.
- Notīriet akumulatora spaiļes ar saspiestu gaisu vai izmantojiet mīkstu un sausu drānu.
- Notīriet akumulatora un lādētāja virsmas ar mīkstu un sausu drānu.

## Griešanas aprīkojuma pārbaudīšana



**BRĪDINĀJUMS:** Lai nepieļautu nejaušu iedarbināšanu, pagrieziet drošības atslēgu pozīcijā "0", izņemiet akumulatoru un nogaidiet vismaz 5 sekundes.



**BRĪDINĀJUMS:** Veicot griešanas aprīkojuma apkopi, velciet aizsargcimdus. Asmens ir ļoti ass, un ar to var viegli sagriezties.

1. Pārbaudiet, vai griešanas aprīkojums nav bojāts vai ieplaisājis. Vienmēr nomainiet bojātu griešanas ierīci.
2. Apskatiet asmeni, lai redzētu, vai tas nav bojāts vai trūls.

**Piezīme:** Vajadzības gadījumā pēc asmens uzasināšanas to balansējiet. Ļaujiet servisa centram asināt, nomainīt un balansēt asmeni. Ja saskaraties ar šķērslī, kas liek izstrādājumam apstāties, nomainiet bojāto asmeni. Lai apkopes centra pārstāvis novērtē, vai asmens ir jāuzasina, vai arī tas ir jānomaina.

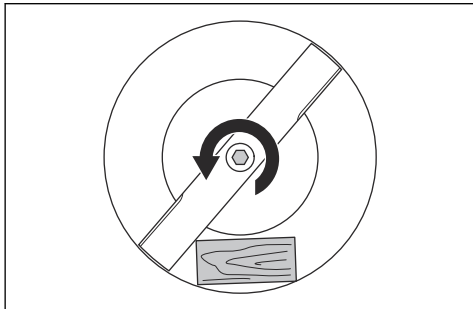
## Asmens nomaiņšana

Informāciju par pareizu asmens veidu skatiet šeit:  
*Tehniskie dati lpp. 406.*

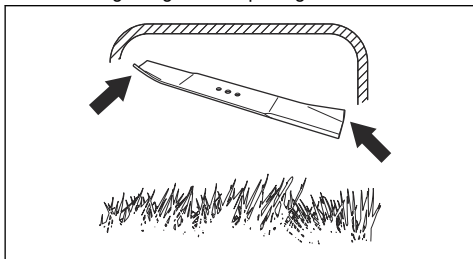


**BRĪDINĀJUMS:** Fiksējiet asmeni ar koka kluci, lai, nomainot asmeni, nesavainotu pirkstus. Asmeni var pārvietot, kad motors ir izslēgts un starp asmeni un nekustīgajām daļām var tikt iesprostoti pirksti.

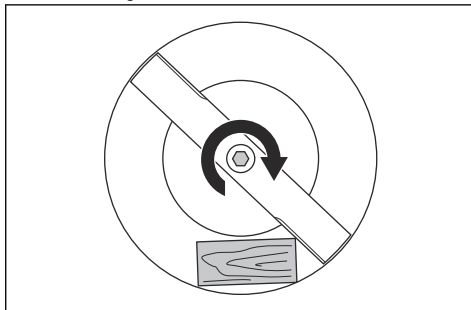
1. Fiksējiet asmeni ar koka kluci.



2. Izņemiet asmens skrūvi.
3. Noņemiet asmeni.
4. Pārbaudiet asmens atbalstu un asmens skrūvi, lai redzētu, vai nav bojājumu.
5. Pārbaudiet dzinēja vārpstu, lai pārliecinātos, vai tā nav saliekta.
6. Kad piestiprināt jauno asmeni, vērsiet asmens saliektos galus griešanas pārsega virzienā.



7. Pārliecinieties, vai asmens ir salāgots ar dzinēja vārpstas centru.
8. Fiksējiet asmeni ar koka kluci. Piestipriniet atsperpaplāksni un piegrieziet skrūvi un paplāksni ar 23–28 Nm griezes momentu.



9. Ar roku pagrieziet asmeni un pārbaudiet, vai tas griežas brīvi.



**BRĪDINĀJUMS:** Uzvelciet biezus cimdus. Asmens ir ļoti ass, un ar to var viegli sagriezties.

10. Iedarbiniet izstrādājumu, lai pārbaudītu asmeni. Ja asmens nav pareizi piestiprināts, izstrādājums vibrē vai plaušanas rezultāts nav apmierinošs.

## Problēmu novēršana

### Akumulators

LED indikators uz akumulatora	Cēlonis	Risinājums
LED indikators mirgo zaļā krāsā	Akumulatora spriegums ir zems.	Uzlādējiet akumulatoru. Skatiet: <i>Akumulatora uzlāde lpp. 396.</i>

LED indikators uz akumulatora	Cēlonis	Risinājums
Mirgo kļūdu LED indikators.	Zems akumulatora uzlādes līmenis.	Uzlādējiet akumulatoru. Skatiet: <i>Akumulatora uzlāde lpp. 396.</i>
	Temperatūra darba vidē ir pārāk augsta vai pārāk zema.	Akumulatoru drīkst izmantot temperatūras diapazonā no 5 °C līdz 40 °C.
	Pārspriegums.	Pārbaudiet, vai tīkla spriegums atbilst tam, kas ir norādīts uz izstrādājuma datu plāksnītes. Izņemiet akumulatoru no lādētāja. Pagaidiet 5 sekundes un pēc tam mēģiniet akumulatoru uzlādēt. Ja problēma joprojām nav novērsta, sazinieties ar pilnvarotu apkopes pārstāvi.
Deg kļūdu LED indikators.	Pārāk liela elementu sprieguma atšķirība (1 V).	Sazinieties ar pilnvarotu apkopes pārstāvi.

## Akumulatora lādētājs

LED indikators uz akumulatora lādētāja	Cēlonis	Risinājums
Mirgo kļūdu LED indikators.	Temperatūra darba vidē ir pārāk augsta vai pārāk zema.	Akumulatora lādētāju drīkst izmantot temperatūras diapazonā no 5 °C līdz 40 °C.
Deg kļūdu LED indikators.		Sazinieties ar pilnvarotu apkopes pārstāvi.

## Zāles plaujmašīna

Brīdinājuma indikators (kļūdas LED indikators) atrodas zem akumulatora vāka ((LC 247i)) vai vadības panelī ((LC 347iVX, LC 353iVX)).

Problēma	Kļūdas LED indikators (mirgošanas reižu skaits)	Cēlonis	Risinājums
Kļūdas LED mirgo. Izstrādājums nedarbojas pareizi.	3	Asmens ir bloķēts.	Lai novērstu nejaušu iedarbināšanu, pagrieziet drošības atslēgu pozīcijā "0". Izņemiet akumulatoru un pagaidiet vismaz 5 sekundes. Noņemiet iespējamos šķēršļus un pārliecinieties, vai asmens var brīvi griezties. Ja problēma joprojām nav novērsta, sazinieties ar pilnvarotu apkopes pārstāvi.
	5	Motora apgriezienu skaits pārāk samazinās, un motors apstājas.	Palieliniet griešanas augstumu. Skatiet: <i>Pļaušanas augstuma regulēšana lpp. 395.</i>
	6 <sup>61</sup>	Riteņi vai transmisija ir bloķēta.	Lai novērstu nejaušu iedarbināšanu, pagrieziet drošības atslēgu pozīcijā "0". Izņemiet akumulatoru un pagaidiet vismaz 5 sekundes. Noņemiet iespējamos šķēršļus un pārliecinieties, vai riteņi var brīvi griezties. Ja problēma joprojām nav novērsta, sazinieties ar pilnvarotu apkopes pārstāvi.
	10	Motora vadības bloks ir pārāk karsts	Apturiet motoru un uzgaidiet, līdz tas kļūst vēss.
Kļūdas LED mirgo. Izstrādājums apstājas.	0	Akumulatora savienotāja kļūda.	Pārbaudiet akumulatora savienotāju.
	3	Dzinēja pārslodze.	Palieliniet griešanas augstumu. Skatiet: <i>Pļaušanas augstuma regulēšana lpp. 395.</i>
	8	Zems akumulatora uzlādes līmenis.	Uzlādējiet akumulatoru. Skatiet: <i>Akumulatora uzlāde lpp. 396.</i>
	9	Akumulatora kļūda vai netiek saņemts signāls no akumulatora.	Ievietojiet akumulatoru pareizi un pārbaudiet akumulatora savienotāju. Ja mirgo kļūdu LED indikators uz akumulatora. Skatiet: <i>Akumulators lpp. 402.</i>
	12	Nepareizs iedarbināšanas process. Dzinēja bremžu rokturis ir nospiests pirms dzinēja iedarbināšanas.	Atlaidiet dzinēja bremžu rokturi un pagaidiet apmēram 5 sekundes. Lai iedarbinātu izstrādājumu, vēlreiz nospiediet dzinēja bremžu rokturi uz leju.
Citas kļūdas.	Ja rodas citas kļūdas, pagrieziet drošības atslēgu stāvoklī "0", izņemiet akumulatoru un sazinieties ar apstiprinātu apkopes pārstāvi.		

<sup>61</sup> LC 347iVX, LC353iVX



# Pārvadāšana, glabāšana un utilizēšana

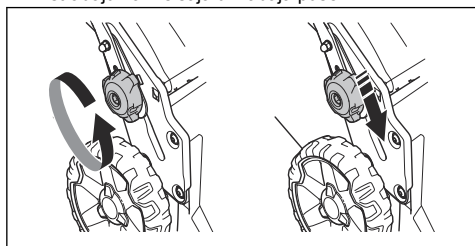
## levads



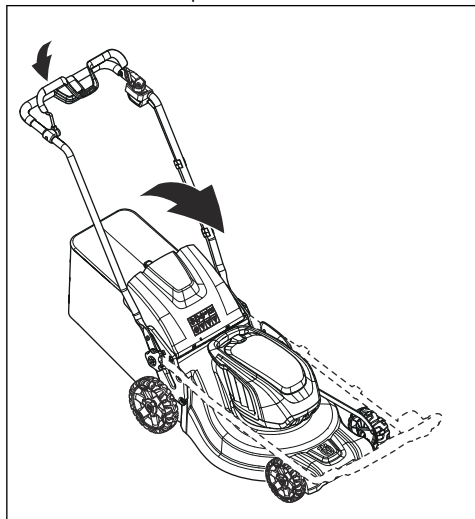
**BRĪDINĀJUMS:** Lai nepieļautu nejašu iedarbināšanu transportēšanas laikā, pagrieziet drošības atslēgu pozīcijā "0", izņemiet akumulatoru un nogaidiet vismaz 5 sekundes.

## Lai novietotu produktu transportēšanas pozīcijā

1. Atlaidiet apakšējos fiksatorus.
2. Pārvietojiet fiksatorus uz rievu apakšējo malu izstrādājuma kreisajā un labajā pusē.



3. Nolokiet rokturi uz priekšu.



4. Noņemiet zāles savācēju.

## Transportēšana

- Uz iekļautajiem litija jonu akumulatoriem attiecas likumu prasības par bīstamajām precēm.

- Komerciālai transportēšanai ir jāievēro īpašās prasības uz iepakojuma un uzlīmēm.
- Noteikti ievērojiet noteikumus, kas attiecas uz bīstamiem materiāliem, kad produktu sagatavojat transportēšanai. Spēkā var būt vietēji noteikumi.
- Transportēšanas laikā izņemiet akumulatoru.
- Uzlieciet lenti uz akumulatora savienotājiem un pārliecinieties, vai akumulators transportēšanas laikā nevar kustēties.
- Transportēšanas laikā nostipriniet produktu.

## Glabāšana

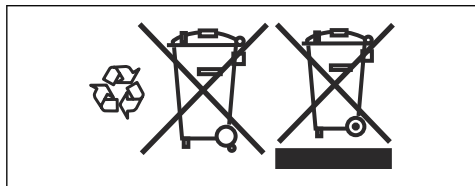
- Pirms uzglabāšanas ļaujiet zāles plāvējam atdzist.
- Glabāšanas laikā izņemiet akumulatoru.
- Lai novērstu nelaimes gadījumus, produkta glabāšanas laikā akumulatoram ir jābūt atvienotam no produkta.
- Turiet akumulatora lādētāju slēgtā un sausā vietā.
- Turiet akumulatoru un akumulatora lādētāju sausā vietā, kur nav mitruma vai sala ietekmes.
- Uzglabāšanas laikā atvienojiet akumulatoru no akumulatora lādētāja.
- Neglabājiet akumulatoru vietās, kur var rasties statiskā elektrība. Neglabājiet akumulatoru metāla kārbā.
- Uzglabājiet zāles plāvēju vietā, kur apkārtējā temperatūra ir diapazonā no -10 °C līdz 40 °C.
- Uzglabājiet akumulatoru vietā, kur apkārtējās vides temperatūra ir diapazonā no 5 °C līdz 25 °C un akumulatoru neapspīd tieša saules gaisma.
- Uzglabājiet akumulatora lādētāju vietā, kur apkārtējā temperatūra ir diapazonā no 5 °C līdz 45 °C un lādētāju neapspīd tieša saules gaisma.
- Akumulatora uzlādes līmenim pirms ilgstošas glabāšanas jābūt 30–50%.
- Glabājiet produktu, akumulatoru un akumulatora lādētāju slēgtā vietā, kas nav pieejama bērniem un nesankcionētiem personām.
- Noīriēt zāles plāvēju un pārliecinieties, ka zāles uztvērējs ir tukšs.
- Veiciet tikai tās apkopes darbības, kas norādītas lietotāja rokasgrāmatā. Skatiet: *Apkope lpp. 400*.
- Pilnībā noīriēt zāles plāvēju, pirms novietojat to ilgstošai uzglabāšanai.

## Atbrīvošanās no produkta

Simboli uz produkta vai tā iepakojuma norāda, ka no šī produkta nedrīkst atbrīvoties kā no sadzīves atkritumiem. Tas ir jānodod atbilstošā elektrisko un elektronisko ierīču pārstrādes uzņēmumā.

Nodrošinot, ka šis izstrādājums tiek pareizi pārstrādāts, varat palīdzēt novērst iespējamo negatīvo ietekmi uz vidi un cilvēkiem. Pretējā gadījumā tiek veikta nepareiza šī izstrādājuma utilizēšana. Lai uzzinātu vairāk par šī

izstrādājuma pārstrādi, sazinieties ar vietējo pašvaldību, atkritumu pārstrādes uzņēmumu vai veikalu, kurā iegādājāties šo izstrādājumu.



## Tehniskie dati

### Tehniskie dati

	LC 247I	LC 347IVX	LC 353IVX
<b>Pļaušanas motors</b>			
Motora tips	BLDC (bezsuku) 36 V	BLDC (bezsuku) 36 V	BLDC (bezsuku) 36 V
Motora ātrums — SavE, apgr./min	2600/min	2600/min	2600/min
Motora ātrums — nominālais, apgr./min	3000/min	3000/min	3000/min
Motora ātrums — liela slodze, apgr./min	3500/min	3500/min	3500/min
Motora jauda — maks., kW	0,96	0,96	1,05
Motora jauda — nominālā, kW	0,75	0,75	0,9
<b>Piedziņas motors</b>			
Motora jauda — nominālā, kW	N/A	0,25	0,25
Kustības ātrums, km/h	N/A	3,0–4,5	3,0–4,5
Ātruma regulēšanas līmeņi	N/A	4	4
<b>Svars</b>			
Svars bez somas (izņemto akumulatoru), kg	24,5	26	28
Svars ar maisu (ar diviem BLi30), kg	30,5	32,0	34,5
<b>Akumulators</b>			
Akumulatora tips	Husqvarna akumulatoru sērija		
<b>Akumulatora darbības laiks</b>			
Akumulatora darbības laiks, minimālais (brīvgaita), ar aktivizētu funkciju SavE un vienu Husqvarna 7,7 Ah akumulatoru (BLi30).	62	62	46
Akumulatora darbības laiks, minimālais (brīvgaita) ar aktivizētu standarta režīmu, ar vienu Husqvarna 7,7 Ah akumulatoru (BLi30).	43	43	28
<b>Trokšņa emisija</b> <sup>62</sup>			

<sup>62</sup> Atbilstoši EK direktīvai 2000/14/EK trokšņa emisija apkārtņē ir mērīta kā akustiskā jauda ( $L_{WA}$ ).

	LC 247i	LC 347IVX	LC 353IVX
Skaņas jaudas līmenis, izmērītais dB (A)	94	94	97
Skaņas jaudas līmenis, garantētais L <sub>WA</sub> dB (A)	95	95	98
<b>Skaņas līmeņi</b> <sup>63</sup>			
Skaņas spiediena līmenis pie operatora auss, dB(A)	82	82	86
<b>Vibrācijas līmeņi</b> <sup>64</sup>			
Rokturis, m/s <sup>2</sup>	0,42	0,42	2,64
<b>Griešanas ierīce</b>			
Griešanas augstums, mm	20-75 mm	20-75 mm	20-75 mm
Plaušanas platums, cm	47	47	53
Asmeņu standarts	Vākšana, 5905934-10	Vākšana, 5905934-10	Vākšana, 5940757-10
Asmeņu piederums	Mulch 5907010-10	Mulch 5907010-10	Mulch 5950072-10
Zāles savācēja tilpums, litri	55	55	60.

Bluetooth® radio frekvenču dati	LC 247i	LC 347IVX	LC 353IVX
Frekvenču josla, GHz	N/A	2,4–2,4835	2,4–2,4835
Izejas jauda, maks., dBm	N/A	4	4

Apstiprinātie akumulatori	Tips	Akumulatora ietilpība, Ah	Spriegums (V)	Svars, mārciņas/kg
BLi20	Litija jonu	4,0	36	2,6/1,2
BLi30	Litija jonu	7,7	36	4,2/1,9

Apstiprinātie lādētāji norādītajiem akumulatoriem, BLi	Ieejas spriegums, V	Frekvence, Hz	Jauda, W
QC80	100–240	50–60	80
40-C80	100-240	50–60	68,8

<sup>63</sup> Iesniegtajiem datiem par trokšņa spiediena līmeni piemīt 1,5 dB(A) nenoteiktības koeficients (K).

<sup>64</sup> Uzrādītajiem vibrācijas līmeņa datiem ir 1,5 m/s<sup>2</sup> nenoteiktības koeficients (K). Kopējā noteiktā vibrāciju vērtība ir mērīta pēc standarta EN 62841-4-3 A pielikuma, un to var izmantot instrumentu iekārtu savstarpējai salīdzināšanai un pakļaušanas iedarbībai sākotnējā novērtējumā.

<b>Apstiprinātie lādētāji norādītajiem akumulatoriem, BLi</b>	<b>Ieejas spriegums, V</b>	<b>Frekvence, Hz</b>	<b>Jauda, W</b>
QC250	100–240	50–60	250

# Atbilstības deklarācija

## ES atbilstības deklarācija

Mēs, **Husqvarna AB**, SE-561 82 Huskvarna, Zviedrija,  
tālr. +46-36-146500, ar pilnu atbildību apliecinām, ka šis  
izstrādājums:

<b>Apraksts</b>	Zāles plaujmašīna
<b>Zīmols</b>	Husqvarna
<b>Tips/modelis</b>	LC 247i
<b>Identifikācija</b>	Ar sērijas numuriem no 2021 un turpmākiem sērijas numuriem

pilnībā atbilst šādām ES direktīvām un noteikumiem:

<b>Direktīva/regula</b>	<b>Apraksts</b>
2006/42/EC	"par iekārtām"
2014/30/EU	"par elektromagnētisko savietojamību"
2000/14/EK	"par trokšņa emisiju vidē"
2011/65/EU	"par dažu bīstamu vielu izmantošanas ierobežošanu elektriskās un elektroniskās iekārtās"

un ir ievēroti tālāk norādītie saskaņotie standarti un/vai  
tehniskās specifikācijas: EN 62841-1:2015+AC:2015,  
EN 62841-4-3:2021+A11:2021, EN ISO 12100:2010,  
EN 55014-1:2017+A11:2020, EN 55014-2:2015, EN IEC  
63000:2018.

Pilnvarotā iestāde 0404, RISE SMP Svensk  
Maskinprovning AB, Box 7035, SE-750 07 Uppsala  
ir apstiprinājusi atbilstību Eiropas Padomes direktīvai  
2000/14/EK, atbilstības izvērtēšanas procedūrai:  
VI pielikums.

Lai iegūtu informāciju par trokšņa izplūdi, skatiet sadaļu  
*Tehniskie dati lpp. 406.*

Huskvarna, 2021-12-01



Claes Losdal, nodaļas vadītājs/dārzkopības produkti,  
Husqvarna AB

Atbildīgais par tehnisko dokumentāciju



## ES atbilstības deklarācija

Mēs, **Husqvarna AB**, SE-561 82 Huskvarna, Zviedrija, tālr. +46-36-146500, ar pilnu atbildību apliecinām, ka šis izstrādājums:

<b>Apraksts</b>	Zāles pļaujmašīna
<b>Zīmols</b>	Husqvarna
<b>Tips/modelis</b>	LC 347iVX, LC 353iVX
<b>Identifikācija</b>	Ar sērijas numuriem no 2021-12-01 un turpmākiem sērijas numuriem

pilnībā atbilst šādām ES direktīvām un noteikumiem:

Direktīva/regula	Apraksts
2006/42/EC	“par iekārtām”
2014/53/EU	“par radioiekārtām”
2000/14/EK	“par trokšņa emisiju vidē”
2011/65/EU	“par dažu bīstamu vielu izmantošanas ierobežošanu elektriskās un elektroniskās iekārtās”

un ir ievēroti tālāk norādītie saskaņotie standarti un/vai tehniskās specifikācijas: EN 62841-1:2015+AC:2015, EN 62841-4-3:2021+A11:2021, EN ISO 12100:2010, EN 55014-1:2017+A11:2020, EN 55014-2:2015, EN IEC 63000:2018, EN ETSI 300 328 v.2.2.2, EN 50663: 2017, ETSI EN 301 489-1 V2.2.3, ETSI EN 301 489-17 V3.2.4.

Pilnvarotā iestāde 0404, RISE SMP Svensk Maskinprovning AB, Box 7035, SE-750 07 Uppsala ir apstiprinājusi atbilstību Eiropas Padomes direktīvai 2000/14/EK, atbilstības izvērtēšanas procedūrai: VI pielikums.

Lai iegūtu informāciju par trokšņa izplūdi, skatiet sadaļu *Tehniskie dati lpp. 406*.

Huskvarna, 2021-12-01

Claes Losdal, nodaļas vadītājs/dārzkopības produkti, Husqvarna AB

Atbildīgais par tehnisko dokumentāciju



---

## Reģistrētās preču zīmes

---

*Bluetooth®* preču zīme un logotipi ir *Bluetooth SIG, inc.* reģistrētās preču zīmes, un Husqvarna tās izmanto atbilstoši licencei.

---

## Inhoud

---

Inleiding.....	411	Probleemoplossing.....	429
Veiligheid.....	413	Vervoer, opslag en verwerking.....	431
Montage.....	420	Technische gegevens.....	433
Werking.....	421	Verklaring van overeenstemming.....	435
Onderhoud.....	427	Geregistreerde handelsmerken.....	436

---

## Inleiding

---

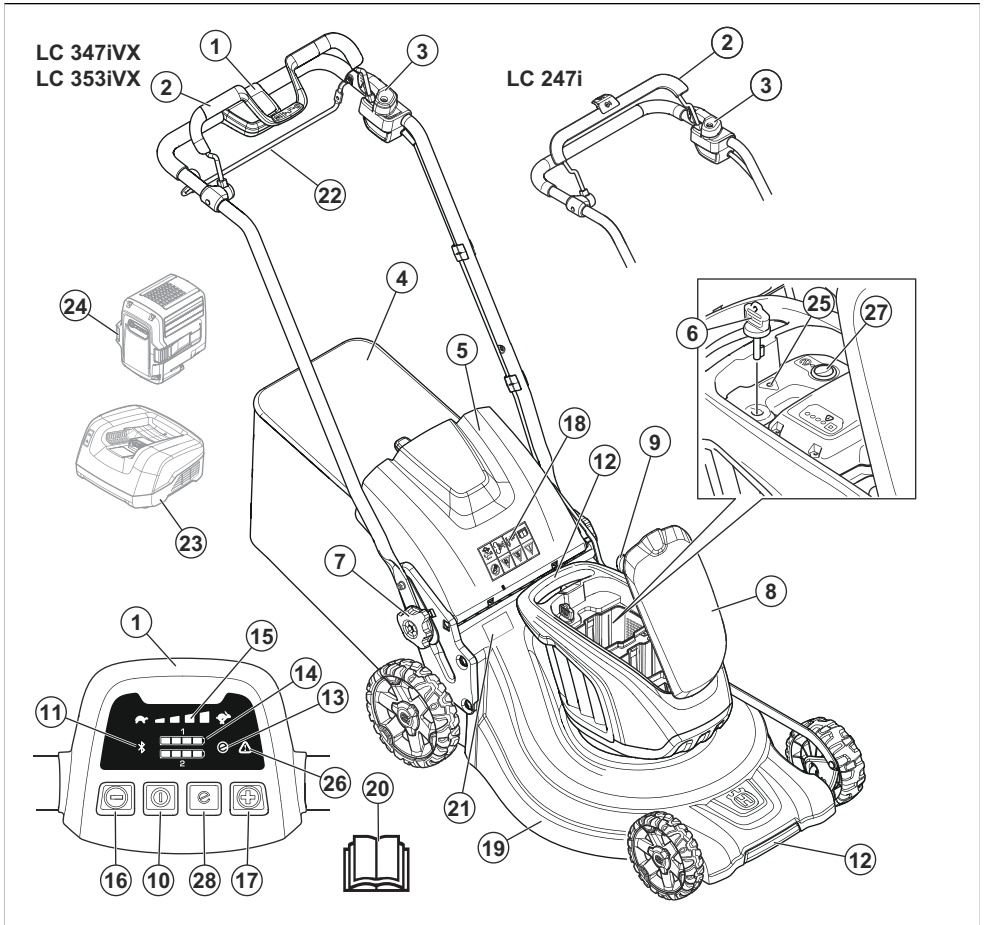
### Productbeschrijving

Het product is een roterende duwmaaier. Het gras wordt verzameld in een grasopvangbak. Verwijder de grasopvangbak om het gras aan de achterkant af te voeren. Bevestig een mulchkit (accessoire) om het gras te snijden tot meststof.

### Gebruik

Gebruik het product om gras te maaien. Gebruik het product niet voor andere taken.

## Productoverzicht



- |   |   |
|---|---|
| 1. Bedieningspaneel (LC 347iVX, LC 353iVX)          | 16. Knop voor toerental verlagen (LC 347iVX, LC 353iVX) |
| 2. Remhendel van de motor                           | 17. Knop voor toerental verhogen (LC 347iVX, LC 353iVX) |
| 3. Startvergrendeling                               | 18. Symbolen  |
| 4. Grasopvangbak                                    | 19. Kap van maaidek                                     |
| 5. Achterklep                                       | 20. Bedieningshandleiding                               |
| 6. Veiligheidsleutel                                | 21. Productplaatje                                      |
| 7. Knop van hendel                                  | 22. Aandrijfhendel (LC 347iVX, LC 353iVX)               |
| 8. Accudeksel                                       | 23. Acculader (accessoire)                              |
| 9. Maaihoogteregeling                               | 24. Accu (accessoire)                                   |
| 10. ON/OFF-knop                                     | 25. Fout-led (LC 247i)                                  |
| 11. Indicator voor draadloze Bluetooth®-technologie | 26. Fout-led (LC 347iVX, LC 353iVX)                     |
| 12. Handgreepstangen                                | 27. SavE-knop (LC 247i)                                 |
| 13. SavE-indicator                                  | 28. SavE-knop (LC 347iVX, LC 353iVX)                    |
| 14. Accu-indicator                                  |   |
| 15. Toerentalindicator (LC 347iVX, LC 353iVX)       |   |



## Symbolen op het product



WAARSCHUWING



Lees de instructies.



WAARSCHUWING - Pas op voor wegschietende voorwerpen.



Houd omstanders uit de buurt.



WAARSCHUWING - Houd uw handen en voeten uit de buurt van de bladen.



WAARSCHUWING - Koppel de accu voorafgaand aan het onderhoud los.



Het product of de verpakking ervan is geen huishoudelijk afval. Lever het in bij een recyclepunt voor elektrische en elektronische apparatuur.



Het product voldoet aan de geldende EG-richtlijnen.



Label met geluidsemissies naar de omgeving conform de richtlijnen en voorschriften van de EU en het VK. Het gegarandeerde geluidsvermogensniveau van het product staat vermeld in *Technische gegevens op pagina 433* en op het label.

## IPX1

Het product is druppeldicht.



Laat de remhendel van de motor los om te stoppen.



Scanbare code

**Let op:** Andere symbolen/stickers op het product hebben betrekking op certificeringseisen voor bepaalde markten.

## Label op het product



GEVAAR - Houd handen en voeten uit de buurt.

## Productaansprakelijkheid

Zoals uiteengezet in de wet voor productaansprakelijkheid zijn wij niet aansprakelijk voor schade die door ons product wordt veroorzaakt, indien:

- het product niet goed is gerepareerd.
- het product is gerepareerd met onderdelen die niet van de fabrikant afkomstig zijn, of onderdelen die niet zijn goedgekeurd door de fabrikant.
- het product een accessoire bevat dat niet afkomstig is van de fabrikant of niet is goedgekeurd door de fabrikant.
- het product niet is gerepareerd door een erkend servicepunt of door een erkende autoriteit.

## Veiligheid

### Veiligheidsdefinities

Waarschuwingen, voorzorgsmaatregelen en opmerkingen worden gebruikt om te wijzen op belangrijke delen van de handleiding.



**WAARSCHUWING:** Wordt gebruikt om te wijzen op de kans op ernstig of fataal letsel voor de gebruiker of omstanders wanneer de instructies in de handleiding niet worden gevolgd.



**OPGELET:** Wordt gebruikt indien er een risico bestaat op schade aan het product en andere eigenschappen of aan de omgeving wanneer de instructies in de handleiding niet worden gevolgd.

**Let op:** Geven verdere informatie die nodig is in een bepaalde situatie.

## Algemene productveiligheidswaarschuwingen



**WAARSCHUWING:** Lees alle veiligheidswaarschuwingen, instructies, illustraties en specificaties die worden meegeleverd met dit product. Het niet opvolgen van ieder van de onderstaande instructies kan leiden tot elektrische schokken, brand en/of ernstig letsel.

**Bewaar alle waarschuwingen en instructies voor later gebruik.** De term "product" in de waarschuwingen verwijst zowel naar producten die op het lichtnet (met snoer) werken als producten die met een accu (snoerloos) werken.

### Veiligheid van het werkgebied

- **Zorg ervoor dat de werkplek schoon en goed verlicht is.** In rommelige of donkere gebieden gebeuren eerder ongelukken.
- **Gebruik het product niet in een explosiegevaarlijke omgeving, bijv. in de buurt van ontvlambare vloeistoffen, gassen of stof.** Het product creëert vonken waardoor het stof of de dampen kunnen ontbranden.
- **Houd kinderen en omstanders op afstand wanneer u het product gebruikt.** U kunt de controle over het apparaat verliezen als u afgeleid wordt.

### Elektrische veiligheid

- **Productstekkers moeten geschikt zijn voor het betreffende stopcontact. Wijzig nooit de stekker. Gebruik nooit een adapterstekker in combinatie met geaarde producten.** Ongewijzigde stekkers en overeenkomende stopcontacten verkleinen het risico op elektrische schokken.
- **Vermijd lichamelijk contact met geaarde oppervlakken, zoals buizen, radiatoren, fornuizen en koelkasten.** Er is een verhoogd risico op elektrische schokken als uw lichaam geaard is.
- **Stel de producten niet bloot aan regen of natte omstandigheden.** Water dat in een product binnendringt, verhoogt het risico op elektrische schokken.
- **Gebruik de kabel niet voor oneigenlijke doeleinden. Gebruik de kabel nooit om het product te dragen, te trekken of om de stekker uit het stopcontact te**

**trekken. Houd de kabel uit de buurt van warmte, olie, scherpe randen en bewegende onderdelen.**

Beschadigde of in de knoop geraakte kabels verhogen het risico op elektrische schokken.

- **Gebruik een verlengkabel die geschikt is voor gebruik buitenshuis wanneer u buiten werkt met een product.** Het gebruik van een kabel die geschikt is voor gebruik buitenshuis, vermindert het risico op elektrische schokken.
- **Als gebruik van een product in een vochtige omgeving onvermijdelijk is, gebruik dan een netvoeding met aardlekschakelaar (RCD).** Gebruik van een RCD vermindert het risico op elektrische schokken.

### Persoonlijke veiligheid

- **Wees altijd alert, kijk wat u doet en gebruik uw gezonde verstand wanneer u het product gebruikt. Gebruik het product niet als u moe bent of onder invloed bent van drugs, alcohol of medicijnen.** Eén moment van onoplettendheid tijdens het gebruik van producten kan ernstig lichamelijk letsel tot gevolg hebben.
- **Maak altijd gebruik van persoonlijke beschermingsmiddelen. Draag altijd oogbescherming.** Beschermingsmiddelen zoals een stofmasker, veiligheidsschoenen met antislipprofiel, een veiligheidshelm of gehoorbescherming in relevante werkomstandigheden beperken letsel.
- **Voorkom een onbedoelde start. Zorg ervoor dat de schakelaar in de stand OFF staat voordat u het product aansluit op een spanningsbron en/of accupack, oppakt of draagt.** Het dragen van producten met uw vinger op de schakelaar of het onder spanning zetten van producten waarvan de schakelaar op aan staat, kan makkelijk leiden tot ongelukken.
- **Verwijder eventuele (instel)sleutels voordat u het product inschakelt.** Een sleutel die is bevestigd aan een draaiend onderdeel van het product kan persoonlijk letsel tot gevolg hebben.
- **Voorkom overstrekken. Zorg dat u te allen tijde stevig en in balans staat.** Hierdoor hebt u een betere controle over het product in onverwachte situaties.
- **Draag geschikte kleding. Draag geen losse kleding of sieraden. Houd uw haar en kleding uit de buurt van bewegende onderdelen.** Losse kleding, sieraden of lang haar kunnen verstrikt raken in bewegende onderdelen.
- **Als de mogelijkheid bestaat voor het opvangen van stof moet u ervoor zorgen dat deze is aangesloten en op de juiste wijze wordt gebruikt.** Het gebruik van stofopvang kan stofgerelateerde gevaren beperken.
- **Laat de vertrouwdheid met de door u gebruikte producten door het frequente gebruik ervan niet toe leiden dat u de veiligheidsprincipes negeert.** Een onzorgvuldige handeling kan binnen een fractie van een seconde leiden tot ernstig letsel.

## Gebruik en onderhoud van het product

- **Forceer het product niet. Gebruik het juiste product voor de toepassing.** Het juiste product voert de werkzaamheden waarvoor het is ontworpen beter en veiliger uit.
- **Gebruik het product niet als de On/Off-schakelaar niet werkt.** Producten die niet bediend kunnen worden met de schakelaar zijn gevaarlijk en moeten gerepareerd worden.
- **Haal de stekker uit het stopcontact en/of verwijder het accupack, indien verwijderbaar, van het product voordat u aanpassingen maakt, accessoires verwisselt of producten opbergt.** Dergelijke preventieve veiligheidsmaatregelen verlagen het risico op het onbedoeld starten van het product.
- **Berg producten die u niet nodig hebt op buiten het bereik van kinderen en laat personen die onbekend zijn met het product of deze instructies niet werken met het product.** Producten zijn gevaarlijk in handen van ongetrainde gebruikers.
- **Onderhoud de producten en de accessoires. Controleer het apparaat op verkeerde uitlegging of bevestiging van bewegende onderdelen, breuk van onderdelen en andere condities die de werking van het product negatief kunnen beïnvloeden. Als het product is beschadigd, moet u het laten repareren voordat u het gebruikt.** Veel ongelukken worden veroorzaakt door slecht onderhouden producten.
- **Houd snijgereedschappen scherp en schoon.** Goed onderhouden snijgereedschappen met scherpe snijranden zullen minder gauw vastlopen en zijn eenvoudiger onder controle te houden.
- **Gebruik het product, de accessoires, gereedschapsbits en dergelijke in overeenstemming met deze instructies en houd hierbij rekening met de werkomstandigheden en het type krus dat moet worden uitgevoerd.** Als u het product voor andere toepassingen gebruikt dan waarvoor het is bedoeld, kan er een gevaarlijke situatie ontstaan.
- **Houd de handgrepen en grijppoppervlakken droog, schoon en vrij van olie en vet.** Als handgrepen en grijppoppervlakken glad zijn, kan dit ervoor zorgen dat het product in onverwachte situaties niet veilig kan worden gehanteerd en bediend.

## Service

- **Laat uw product onderhouden door een gekwalificeerde onderhoudsmonteur met gebruikmaking van uitsluitend identieke vervangende onderdelen.** Hierdoor blijft de veiligheid van het product gehandhaafd.
- **Voer nooit onderhoud uit aan beschadigde accupacks.** Onderhoud aan accupacks mag alleen worden uitgevoerd door de fabrikant of geautoriseerde dienstverleners.

## Gebruik en onderhoud van gereedschap met accu

- **Laad het gereedschap alleen op met de lader die door de fabrikant is gespecificeerd.** Een lader die voor een bepaald type accu geschikt is, kan een risico op brand creëren als de lader met een andere accu wordt gebruikt.
- **Gebruik producten enkel met de specifiek hiervoor bedoelde accupacks.** Als er andere accupacks worden gebruikt, bestaat er risico op letsel en brand.
- **Als het accupack niet gebruikt wordt, houd hem dan uit de buurt van andere metalen voorwerpen, zoals paperclips, munten, sleutels, spijkers, schroeven of andere kleine metalen voorwerpen die een verbinding tussen de twee klemmen kunnen maken.** Als er kortsluiting tussen de accuaansluitingen ontstaat, kunnen er brandwonden of brand ontstaan.
- **Als het accupack verkeerd wordt gebruikt, kan er vloeistof uit de accu komen; zorg dat u deze niet aanraakt. Als u per ongeluk in contact komt met de vloeistof, afspoelen met water. Als er vloeistof in de ogen komt dient u medische hulp in te roepen.** Vloeistof die uit accu's loopt, kan irritatie of brandwonden veroorzaken.
- **Gebruik geen accupack of product dat beschadigd of gewijzigd is.** Beschadigde of aangepaste accu's kunnen onvoorspelbaar gedrag vertonen, wat kan leiden tot brand, explosies of letsel.
- **Stel het accupack of product niet bloot aan vuur of hoge temperaturen.** Blootstelling aan vuur of temperaturen hoger dan 130 °C kan een explosie veroorzaken.
- **Volg alle oplaadinstructies op en laad de accu of het product niet op bij temperaturen die buiten het in de instructies gespecificeerde bereik vallen.** Door onjuist opladen of opladen bij temperaturen die buiten het gespecificeerde bereik liggen, kan de accu beschadigd raken en neemt het risico op brand toe.

## Veiligheidswaarschuwingen voor gazonmaaier

- **Gebruik de gazonmaaier niet bij slechte weersomstandigheden, vooral wanneer er een risico op blikseminslag bestaat.** Dit vermindert het risico op blikseminslag.
- **Inspecteer het gebied waar de gazonmaaier wordt gebruikt zorgvuldig op de aanwezigheid van dieren.** Dieren kunnen gewond raken wanneer u in hun nabijheid de gazonmaaier gebruikt.
- **Onderwerp het gebied waar de gazonmaaier gebruikt gaat worden aan een grondige inspectie en verwijder alle stenen, stokken, draden, beenderen, en andere voorwerpen.** Weggeslingerde objecten kunnen lichamelijk letsel veroorzaken.
- **Voer vóór het gebruik van de gazonmaaier altijd een visuele inspectie uit om te kijken of het blad en de mesmontage niet versleten of beschadigd zijn.** Versleten of beschadigde onderdelen verhogen het risico op letsel.

- **Controleer vóór het gebruik de voedings- en eventuele verlengkabels op tekenen van beschadiging of veroudering. Gebruik de gazonmaaier niet als de kabel beschadigd of versleten is. Als de kabel beschadigd of versleten is tijdens het gebruik, moet de gazonmaaier worden uitgeschakeld en mag de kabel niet worden aangeraakt voordat deze van de voeding wordt losgekoppeld.** Een beschadigde voedingskabel of verlengkabel kan leiden tot elektrische schokken, brand en/of ernstig letsel.
- **Controleer de grasopvangbak regelmatig op slijtage of veroudering.** Een versleten of beschadigde grasopvangbak kan het risico op letsel verhogen.
- **Houd beschermkappen op hun plaats. Beschermkappen moeten in goede staat en correct gemonteerd zijn.** Een beschermkap die los zit, beschadigd is of niet goed functioneert, kan leiden tot lichamenlijk letsel.
- **Houd alle koelluchtinlaten vrij van vuil.** Geblokkeerde luchtinlaten en vuil kunnen leiden tot oververhitting of brandgevaar.
- **Draag tijdens het gebruik van de gazonmaaier altijd beschermend schoeisel met antislipzool. Bedien de gazonmaaier niet op blote voeten of met open sandalen aan.** Dit vermindert de kans op letsel aan de voeten door contact met het bewegende blad.
- **Draag tijdens de bediening van gazonmaaier altijd een lange broek.** Blootliggende huid verhoogt de kans op letsel door weggelingerde voorwerpen.
- **Gebruik de gazonmaaier niet op nat gras. U dient uitsluitend te lopen, nooit te rennen.** Dit verkleint het risico op uitglijden en vallen, wat kan leiden tot lichamenlijk letsel.
- **Gebruik de gazonmaaier niet op extreem steile hellingen.** Dit verkleint het risico van controleverlies, uitglijden en vallen, wat kan leiden tot lichamenlijk letsel.
- **Wees bij het werken op hellingen altijd zeker van uw grip, werk altijd dwars over het oppervlak van hellingen, nooit omhoog of omlaag en wees uiterst voorzichtig wanneer u van richting verandert.** Dit verkleint het risico van controleverlies, uitglijden en vallen, wat kan leiden tot lichamenlijk letsel.
- **Wees uiterst voorzichtig wanneer u achteruitgaat of de gazonmaaier naar u toe trekt. Let altijd op uw omgeving.** Dit verlaagt het risico op struikelen tijdens het bedrijf.
- **Houd de voedingskabel uit de buurt van de snijbladen.** Een beschadigde voedingskabel kan leiden tot elektrische schokken, brand en/of ernstig letsel.
- **Schakel de gazonmaaier uit en trek de stekker uit het stopcontact als de kabel verstrikt of beschadigd is.** In de knoop geraakte of beschadigde kabels verhogen het risico op een elektrische schok.
- **Raak bladen en andere gevaarlijke bewegende delen niet aan als ze nog bewegen.** Dit verlaagt het risico op letsel door bewegende delen.

- **Als u vastgelopen materiaal verwijdt of de gazonmaaier reinigt, dient u ervoor te zorgen dat alle schakelaars zijn uitgeschakeld en dat de stroomkabel is losgekoppeld.** Onverwacht bedrijf van de gazonmaaier kan leiden tot ernstig lichamenlijk letsel.

## Aardlekschakelaar

- Gebruik een aardlekschakelaar met een afschakelstroom van maximaal 30 mA.

## Algemene veiligheidsinstructies



**WAARSCHUWING:** Lees de volgende waarschuwingen voordat u het product gaat gebruiken.

- Dit product is gevaarlijk als het verkeerd wordt gebruikt, of als u niet voorzichtig bent. Letsel of overlijden kunnen het gevolg zijn als u de veiligheidsvoorschriften negeert.
- Dit product produceert tijdens bedrijf een elektromagnetisch veld. Dit veld kan onder bepaalde omstandigheden de werking van actieve of passieve medische implantaten verstoren. Om het risico op ernstig of dodelijk letsel te beperken, raden we personen met een medisch implantaat aan om contact op te nemen met hun arts en de fabrikant van het medische implantaat alvorens dit product te gaan gebruiken.
- Wees altijd voorzichtig en gebruik uw gezond verstand. Als u niet zeker weet hoe u het product moet bedienen in een bepaalde situatie, stop dan en informeer bij uw Husqvarna dealer voordat u verdergaat.
- Denk erom dat de bediener of gebruiker verantwoordelijk is voor ongelukken of beschadigingen aan eigendommen.
- Houd het product schoon. Zorg ervoor dat u de aanduidingen en stickers duidelijk kunt lezen.
- Laat kinderen of mensen die niet bekend zijn met deze gebruiksaanwijzing het apparaat niet gebruiken. Er kunnen plaatselijke regels zijn met betrekking tot de minimumleeftijd voor het bedienen van dit apparaat.
- Houd personen met een lichamenlijke of geestelijke beperking die het product gebruiken, altijd in de gaten. Er moet te allen tijde een verantwoordelijke volwassene aanwezig zijn.
- Gebruik het product nooit als u moe of ziek bent, of onder invloed van alcohol, drugs of medicijnen verkeert. Dit heeft een negatief effect op uw visie, alertheid, coördinatie en oordeel.
- Gebruik het product niet als het defect is.
- Wijzig dit product niet of gebruik het niet als het door anderen kan zijn gewijzigd.

## Werkveiligheid



**WAARSCHUWING:** Lees de volgende waarschuwingen voordat u het product gaat gebruiken.

- Gebruik dit product alleen om gazons te maaien. Het is niet toegestaan om het product voor andere doeleinden te gebruiken.
- Maak altijd gebruik van persoonlijke beschermingsmiddelen. Zie *Persoonlijke beschermingsuitrusting op pagina 417*.
- Zorg ervoor dat u weet hoe u de motor in een noodsituatie snel kunt stoppen.
- Gebruik het product niet in regen of natte omstandigheden. Het risico van een elektrische schok neemt toe als water het product binnendringt.
- Gebruik dit product alleen als het mes en alle afdekkingen correct zijn bevestigd. Een verkeerd bevestigd mes kan losraken en letsel veroorzaken.
- Zorg ervoor dat het mes geen voorwerpen raakt zoals stenen en wortels. Hierdoor kan het mes beschadigd raken en de motoras verbuigen. Een gebogen as veroorzaakt zware trillingen en een zeer groot risico dat het mes losraakt.
- Stop het product onmiddellijk als het mes een voorwerp wordt geraakt of als zich trillingen voordoen. Stop de motor, zet de veiligheidssleutel in de stand "0" en verwijder de accu. Wacht tot de bewegende delen stoppen. Controleer het product op schade. Zet loszittende delen vast. Repareer en vervang beschadigde onderdelen. Laat reparatie aan de gazonmaaier uitvoeren door een erkende servicewerkplaats.
- Bevestig de motorremhendel nooit permanent aan de handgreep wanneer de motor wordt gestart.
- Plaats het product op een stabiele, vlakke ondergrond en start het. Zorg ervoor dat het mes niet in aanraking komt met de grond of andere voorwerpen.
- Blijf altijd achter het product wanneer u het gebruikt.
- Zorg dat alle wielen op de grond blijven en houd 2 handen op de handgreep tijdens de bediening van het product. Houd handen en voeten uit de buurt van roterende messen.
- Til het product niet op als u de motor start of tijdens het bedrijf van het product.
- Wees voorzichtig wanneer u het product naar achteren trekt.
- Til het product nooit op terwijl de motor draait. Als u het product moet optillen, zet dan eerst de motor uit, zet de veiligheidssleutel op 0 en verwijder de accu.
- Loop niet achteruit wanneer u het product bedient.
- Stop de motor als het product moet worden opgetild voor transport of voordat u dit over gebieden zonder gras beweegt, zoals grind-, stenen- en asfaltpaden.

- Loop niet hard met het product wanneer de motor is ingeschakeld. Loop altijd rustig wanneer u het product bedient.
- Zet de motor uit voordat u de maaihogte wijzigt. Voer nooit afstellingen uit terwijl de motor draait.
- Houd altijd toezicht op het product wanneer de motor draait. Schakel de motor uit en zorg ervoor dat de snijuitrusting niet draait.
- De trillingen in het product tijdens het bedrijf kunnen anders zijn dan de opgegeven trillingswaarde in *Technische gegevens op pagina 433*. Het verschil wordt veroorzaakt door variaties in productgebruik. Als u het product regelmatig of gedurende langere tijd gebruikt, moet u regelmatig onderbrekingen inlassen om letsel door trillingen te voorkomen.

## Veiligheidsinstructies voor bediening

### Persoonlijke beschermingsuitrusting



**WAARSCHUWING:** Lees de volgende waarschuwingen voordat u het product gaat gebruiken.

- Persoonlijke beschermingsuitrusting kunnen niet alle risico's uitsluiten maar kunnen de ernst van eventueel letsel helpen beperken. Vraag uw dealer u te helpen bij het kiezen van de juiste beschermingsmiddelen.
- Gebruik zware antisliplaarzen of -schoenen. Draag geen open schoenen en loop niet op blote voeten.
- Draag een lange broek van stevige stof.
- Draag zo nodig beschermende handschoenen, bijvoorbeeld bij het monteren, inspecteren of reinigen van de snijuitrusting.
- Wij adviseren om gehoorbescherming te dragen.

### Veiligheidsvoorzieningen op het product



**WAARSCHUWING:** Lees de volgende waarschuwingen voordat u het product gaat gebruiken.

- Gebruik het product nooit wanneer de veiligheidsvoorzieningen defect zijn.
- Verwijder geen veiligheidsvoorzieningen en voer er geen veranderingen aan uit.
- Controleer de veiligheidsvoorzieningen regelmatig op een juiste werking. Als de veiligheidsvoorzieningen defect zijn, neem dan contact op met uw Husqvarna servicewerkplaats.

### De kap van het maaidek controleren

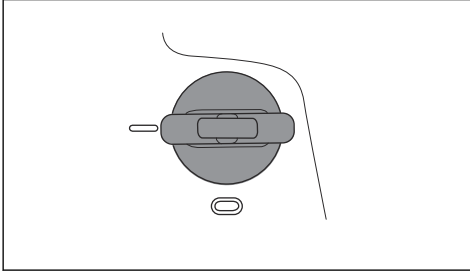
De kap van het maaidek vermindert trillingen in het product en vermindert het risico op letsel door het mes.

- Controleer de kap van het maaidek om te zien of er geen schade is, zoals barsten.

## De veiligheidssleutel controleren

De veiligheidssleutel bevindt zich onder het accudeksel. De veiligheidssleutel zorgt voor verbinding met de accu die de motor van voeding voorziet.

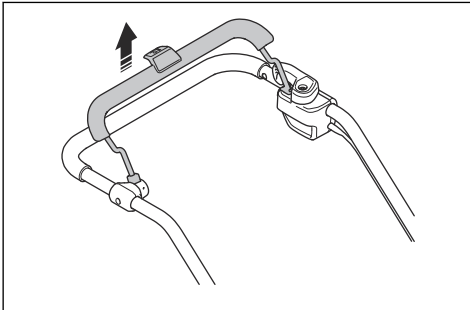
- Start de motor en schakel die weer uit bij wijze van controle van de veiligheidssleutel.
- Als de veiligheidssleutel naar behoren werkt, kan de motor alleen worden gestart wanneer de veiligheidssleutel in stand 1 staat.



## De remhendel van de motor controleren

De remhendel van de motor stopt de motor. Als de remhendel van de motor wordt losgelaten, stopt de motor.

- Start het product. Zie *Werking op pagina 421*.
- Laat de remhendel van de motor los.



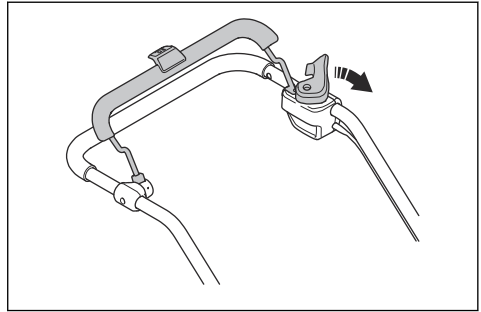
- Controleer of het product stopt. Als de motor niet binnen 3 seconden stopt, laat de motorrem dan afstellen door een erkende Husqvarna servicewerkplaats.

## Controleer de startvergrendeling

Controleer de startvergrendeling om er zeker van te zijn dat deze de werking van de motor voorkomt.

1. Druk de hendel van de motorrem in de richting van de handgreep. De startvergrendeling stopt de beweging.

2. Duw de startvergrendeling naar buiten.



3. Laat de startvergrendeling los en controleer of deze teruggaat naar de oorspronkelijke stand.

## Veiligheid bij accu's



**WAARSCHUWING:** Lees de volgende waarschuwingen voordat u het product gaat gebruiken.

- Gebruik uitsluitend oplaadbare batterijen van Husqvarna als voedingsbron voor gerelateerde producten van Husqvarna. Gebruik de accu niet als voedingsbron voor andere apparaten, om letsel te voorkomen.
- Gebruik geen niet-oplaadbare accu's.
- Risico van elektrische schok. Breng de accuklemmen niet in contact met sleutels, munten, schroeven of ander metaal. Dit kan kortsluiting van de accu veroorzaken.
- Plaats geen voorwerpen in de luchtspleten van de accu.
- Bescherm de accu tegen direct zonlicht, warmte of open vuur. De accu kan exploderen en brandwonden en/of chemische brandwonden veroorzaken.
- Bescherm de accu tegen regen en vocht.
- Houd de accu uit de buurt van magnetrons en hoge druk.
- Probeer de accu niet te demonteren of te slopen.
- Als er een accu lekt, zorg er dan voor dat de vloeistof niet in aanraking komt met uw huid of ogen. Als u in aanraking bent gekomen met de vloeistof, reinig het oppervlak dan met een ruime hoeveelheid water en raadpleeg een arts.
- Gebruik de accu in het product enkel bij omgevingstemperaturen tussen 5 en 40 °C.
- Gebruik de acculader enkel bij omgevingstemperaturen tussen 5 en 40 °C.
- De accu wordt niet opgeladen als de temperatuur van de accu hoger is dan 50 °C.
- Reinig de accu of acculader nooit met water. Zie *Accu en acculader reinigen op pagina 428*.
- Gebruik geen defecte of beschadigde accu.

- Sla accu's op uit de buurt van metalen voorwerpen, bijvoorbeeld spijkers, munten en sieraden.

## Veiligheidsvoorschriften voor acculader



**WAARSCHUWING:** Lees de volgende waarschuwingen voordat u het product gaat gebruiken.

- Gebruik de QC-acculaders uitsluitend om vervangende accu's van Husqvarna op te laden.
- Gevaar voor elektrische schokken en kortsluiting. Plaats geen voorwerpen in de lichtspleten van de oplader. Probeer de acculader niet te demonteren. Verbind de laadcontacten niet met metalen objecten. Gebruik een goedgekeurde wandcontactdoos.
- Dit product produceert tijdens bedrijf een elektromagnetisch veld. Dit veld kan onder bepaalde omstandigheden de werking van actieve of passieve medische implantaten verstoren. Om het risico op ernstig of fataal letsel te beperken, raden we personen met een medisch implantaat aan om contact op te nemen met hun arts en de fabrikant van het medische implantaat voordat ze dit product gaan bedienen.
- Controleer regelmatig of de voedingskabel van de acculader niet beschadigd of gescheurd is.
- Til de acculader niet op aan de voedingskabel. Trek aan de stekker om de acculader uit de wandcontactdoos te halen. Trek niet aan de voedingskabel.
- Houd de voedingskabel en de verlengsnoeren uit de buurt van water, olie en scherpe randen. Let op dat de kabel niet bekneld raakt tussen deuren, hekken e.d. Anders kan de lader onder spanning komen te staan.
- Reinig de acculader nooit met water.
- De acculader kan worden gebruikt door kinderen vanaf 8 jaar en ouder en andere personen die ondanks hun fysieke, sensorische of geestelijke handicap of gebrek aan ervaring en kennis onder toezicht of instructie van een verantwoordelijke persoon in staat zijn veilig gebruik te maken van de acculader en op de hoogte zijn van alle gevaren. Kinderen mogen niet spelen met de acculader. Kinderen mogen het apparaat niet zonder toezicht reinigen of onderhouden.
- Laad niet-oplaadbare accu's niet op in de acculader.
- Gebruik de acculader niet in de buurt van brandbare materialen of materialen die corrosie kunnen veroorzaken. Dek de acculader niet af. Haal de stekker van de acculader uit de wandcontactdoos bij rookontwikkeling of brand.

- Gebruik geen defecte of beschadigde acculader.
- De accu mag alleen binnenshuis worden opgeladen op een plek met voldoende ventilatie en zonder direct zonlicht. Laad de accu niet op in vochtige omstandigheden.

## Veiligheidsinstructies voor onderhoud



**WAARSCHUWING:** Lees de volgende waarschuwingen voordat u het product gaat gebruiken.

- Om te voorkomen dat het product tijdens onderhoud per ongeluk wordt gestart, draait u de veiligheidssleutel naar 0 en verwijdert u de accu. Wacht minstens 5 seconden voordat u begint met het onderhoud.
- Voer alleen onderhoudswerkzaamheden uit zoals beschreven in deze bedieningshandleiding. Verdergaande werkzaamheden en professionele reparaties moeten door een erkende servicewerkplaats worden uitgevoerd. Neem contact op met uw dichtstbijzijnde servicewerkplaats voor meer informatie.
- Voer de onderhoudswerkzaamheden naar behoren uit om de levensduur van het product te verlengen en het risico op ongevallen te verlagen.
- Vervang beschadigde, versleten of defecte onderdelen. Gebruik altijd originele reserveonderdelen van de fabrikant. Andere reserveonderdelen kunnen het product beschadigen en het risico op ongelukken verhogen.
- Verwijder geen veiligheidsvoorzieningen en voer er geen veranderingen aan uit om letsel te voorkomen.
- Draag handschoenen voor zwaar gebruik wanneer u de snijuitrusting hanteert. Het mes is zeer scherp en kan gemakkelijk snijwonden veroorzaken.
- Houd de snijkanten scherp en schoon voor optimale prestaties en veiligheid.
- Laat het product regelmatig controleren door uw servicewerkplaats en laat noodzakelijke aanpassingen en reparaties uitvoeren.
- Volg de instructies voor het vervangen van accessoires. Gebruik alleen accessoires van de fabrikant.
- Houd het product, de accu en de acculader, wanneer deze niet in gebruik zijn, apart in een droge, afgesloten locatie binnenshuis. Zorg dat kinderen en niet-geautoriseerde personen geen toegang hebben tot het product, de accu of de acculader.



# Montage

## Inleiding



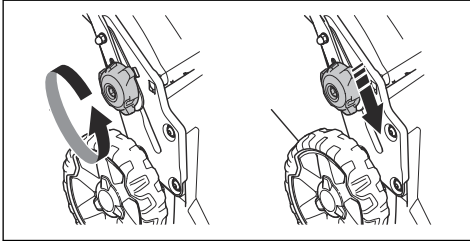
**WAARSCHUWING:** Lees het hoofdstuk over veiligheid voordat u het product monteert.



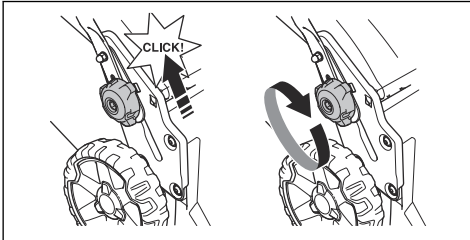
**WAARSCHUWING:** Voorkom onbedoeld starten tijdens de montage door de veiligheidsleutel op 0 te zetten, de accu te verwijderen en ten minste 5 seconden te wachten.

## De handgreep afstellen

1. Draai de onderste knoppen los.
2. Beweeg de knoppen naar het onderste uiteinde van de sleuven aan de linker- en rechterzijde van het product.



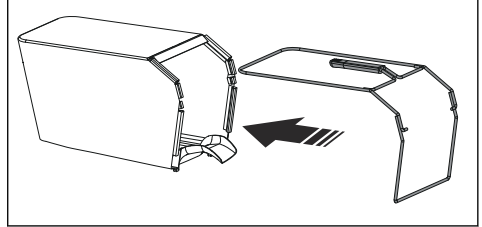
3. Stel de hendelhoogte af op een van de twee beschikbare posities.
4. Beweeg de knoppen omhoog naar de handgreep tot de aanslag en u een klik hoort.



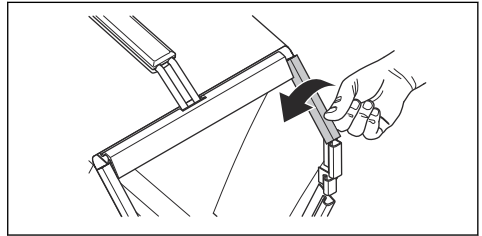
5. Draai de knoppen volledig vast.

## Grasopvangbak monteren

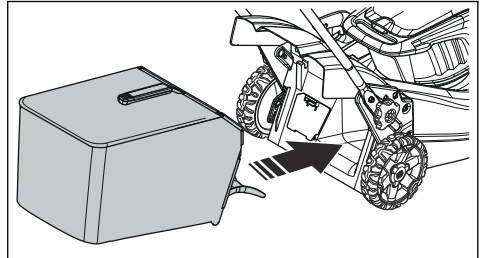
1. Breng het frame van de grasopvangbak aan in de graszak met het stevige gedeelte van de zak aan de onderzijde. Zorg dat de hendel van het frame aan de bovenkant van de graszak blijft.



2. Bevestig het onderste gedeelte van het frame van de grasopvangbak in de groef aan de onderzijde van de grasopvangbak.
3. Bevestig de graszak met de klemmen aan het frame van de grasopvangbak.



4. Til de achterklep op.
5. Bevestig de grasopvangbak aan de bovenrand van het chassis.
6. Plaats het onderste deel van de grasopvangbak in het grasuitwerpkanaal.

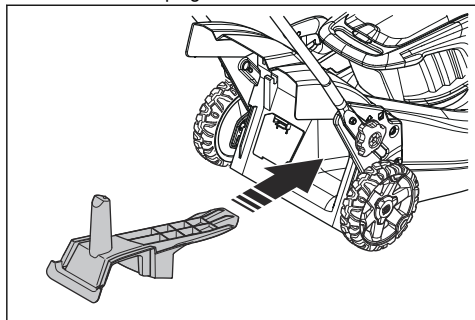


## Mulchplug monteren (accessoire)

1. Til de achterklep op en verwijder de grasopvangbak.



2. Steek de mulchplug in het afvoerkanaal.



3. Vervang het mes door het in de mulchkit meegeleverde mulchmes. Zie *Mes vervangen op pagina 428*.

---

## Werking

---

### Inleiding



**WAARSCHUWING:** Voordat u het product gaat gebruiken, dient u het hoofdstuk over veiligheid te lezen en hebben begrepen.

### Husqvarna Connect

Husqvarna Connect is een gratis app voor uw mobiele apparaat. De Husqvarna Connect-app biedt uitgebreide functies voor uw Husqvarna-product:

- Uitgebreide productinformatie.
- Informatie over, en hulp bij, onderdelen en onderhoud van uw product.

### Husqvarna Connect gebruiken

1. Download de Husqvarna Connect-app op uw mobiele apparaat.
2. Registreer in de Husqvarna Connect-app.
3. Volg de instructies in de Husqvarna Connect-app om verbinding te maken met het product en dit te registreren.

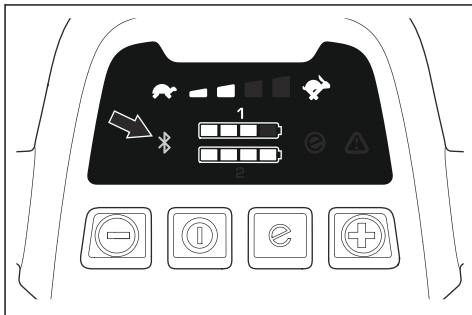
**Let op:** De Husqvarna Connect-app kan niet in alle markten worden gedownload. Neem voor meer informatie contact op met uw servicedealer.

---

### Bluetooth®-informatie (LC 347iVX, LC 353iVX)

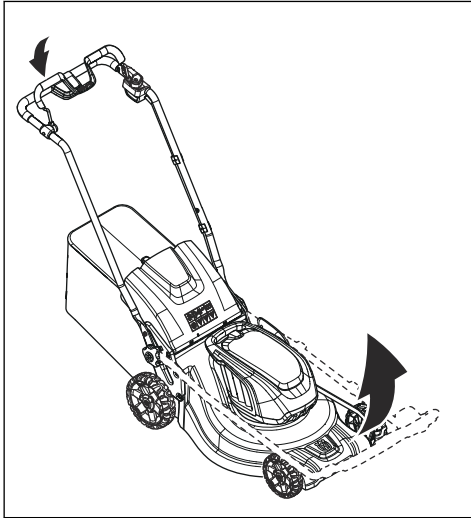
#### Draadloze Bluetooth®-technologie

Het symbool voor draadloze *Bluetooth*®-technologie gaat branden als uw mobiele apparaat is verbonden met het apparaat.

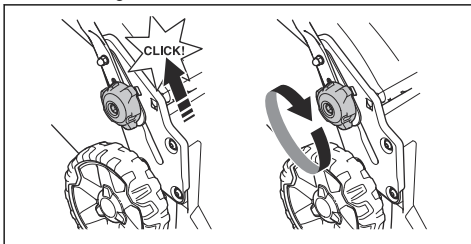


## Product in de werkstand zetten

1. Klap de handgreep omhoog.



2. Beweeg de knoppen omhoog naar de handgreep tot de aanslag en u een klik hoort.



3. Draai de knoppen volledig vast.



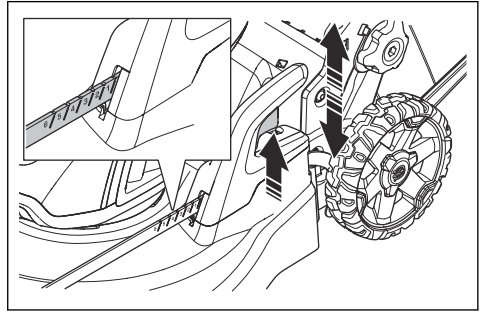
**WAARSCHUWING:** Gebruik het product niet als de hendel niet volledig is opgeklapt en in een van de toepasselijke hoogteposities is gezet. Zie *De handgreep afstellen op pagina 420*.

## Maaihoogte afstellen

De maaihoogte is op 6 niveaus verstelbaar.

1. Breng de maaihoogtehendel naar beneden om de maaihoogte te verlagen.

2. Breng de maaihoogtehendel omhoog om de maaihoogte te verhogen.



**OPGELET:** Stel de maaihoogte niet te laag in. Als het oppervlak van het gazon niet waterpas is, kunnen de messen de grond raken.

## Accu



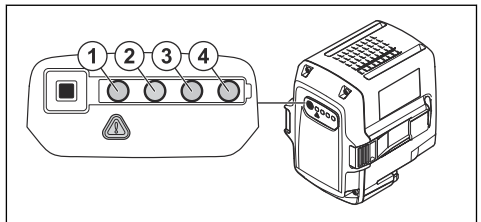
**WAARSCHUWING:** Voordat u het product gebruikt, dient u het hoofdstuk over veiligheid te lezen en hebben begrepen. Zorg er ook voor dat u de bedieningshandleiding bij de accu en de acculader hebt gelezen en begrepen.

Houd de accu en de acculader in de correcte omgevingstemperaturen.

	Omgevingstemperatuur
Accu gebruiken	5 °C – 40 °C
Accu laden	5 °C – 40 °C

## Accustatus

Het display geeft de resterende accucapaciteit aan en geeft aan of er problemen zijn met de accu. De accucapaciteit wordt gedurende 5 seconden nadat het product is uitgeschakeld, weergegeven na het indrukken van de accu-indicatorknop. Het waarschuwingssymbool op de accu gaat branden als er een fout is opgetreden. Zie *Accu op pagina 429*.



LED-lampjes	Accustatus
Alle leds branden	Volledig opgeladen (75-100%)
Led 1, led 2, led 3 branden	De accu is 50%-75% opgeladen
Led 1, led 2 branden	De accu is 25%-50% opgeladen
Led 1 brandt	De accu is 0%-25% opgeladen.
LED 1 knippert	De accu is leeg. Laad de accu op.

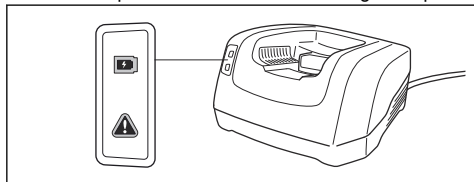
## De accu opladen

Laad de accu voor het eerste gebruik op. De accu is slechts 30% opgeladen wanneer deze aan de klant wordt geleverd.

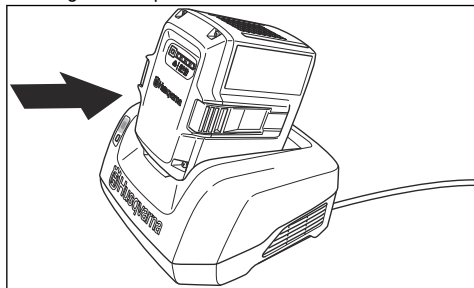
**Let op:** De acculader moet worden aangesloten op de spanning en frequentie die overeenkomen met de specificaties op het productplaatje.

De accu wordt niet opgeladen als de accutemperatuur hoger is dan 50°C. De acculader verlaagt de temperatuur van de accu voordat deze begint te laden.

1. Sluit een uiteinde van de voedingskabel voor de acculader aan op de aansluiting van de acculader.
2. Sluit het andere uiteinde van de voedingskabel van de acculader aan op een geaarde wandcontactdoos. De LED op de acculader licht eenmaal groen op.



3. Plaats de accu in de acculader. Het groene lampje op de lader gaat branden wanneer de accu correct is aangesloten op de acculader.



4. Wanneer alle LED's op de accu branden, is de accu volledig opgeladen. Laad de accu max. 24 uur op.
5. Om de acculader uit de wandcontactdoos los te koppelen, dient u aan de stekker, niet aan de kabel te trekken.
6. Haal de accu uit de acculader.

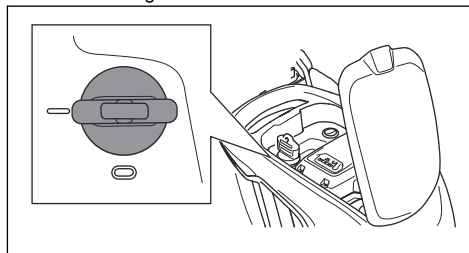
## Acculaadstatus

Een Li-ionaccu van Husqvarna kan worden opgeladen en gebruikt bij alle laadniveaus. De accu wordt niet beschadigd. Een volledig opgeladen accu zal geen lading verliezen, zelfs niet wanneer de accu in de lader blijft staan.

LED-display	Laadstatus
LED 1 knippert	0%-25%
Led 1 brandt, led 2 knippert	25%-50%
Led 1 en led 2 branden, led 3 knippert	50%-75%
Led 1, led 2 en led 3 branden, led 4 knippert	75%-100%
Led 1, led 2, led 3, led 4 branden	Volledig opgeladen

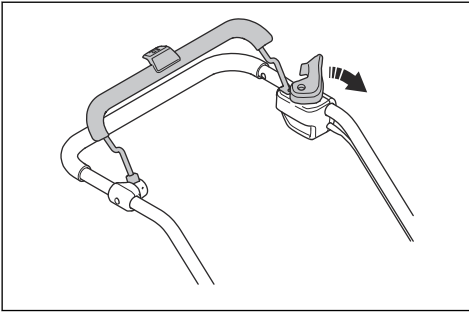
## Het product starten (LC 247i)

1. Open het accudeksel.
2. Plaats een opgeladen accu in één van de accuhouders. Plaats een tweede opgeladen accu in de andere accuhouder voor een langere bedrijfstijd.
3. Draai de veiligheidssleutel naar 1.

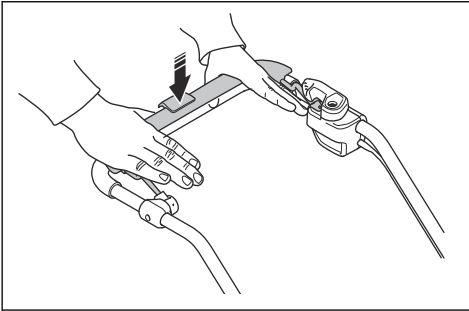


4. Blijf achter het product.

5. Maak de startvergrendeling los.

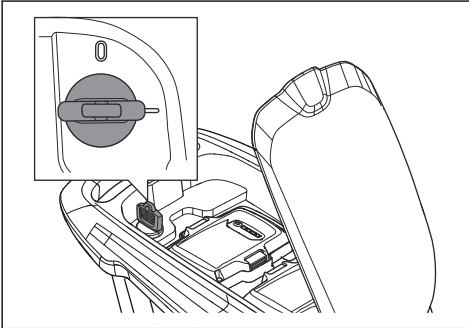


6. Druk de hendel van de motorrem in de richting van de handgreep.



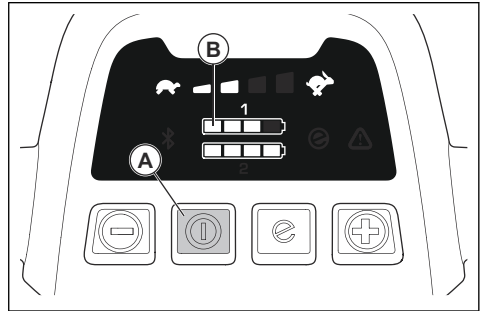
## Het product starten (LC 347iVX, LC 353iVX)

1. Open het accudeksel.
2. Plaats een opgeladen accu in één van de accuhouders. Plaats een tweede opgeladen accu in de andere accuhouder voor een langere bedrijfstijd.
3. Draai de veiligheidssleutel naar 1.

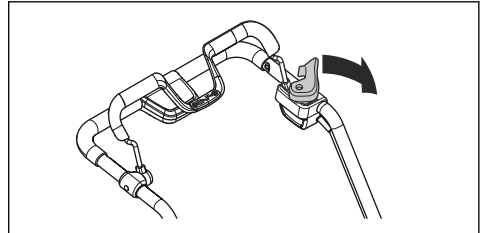


4. Blijf achter het product.

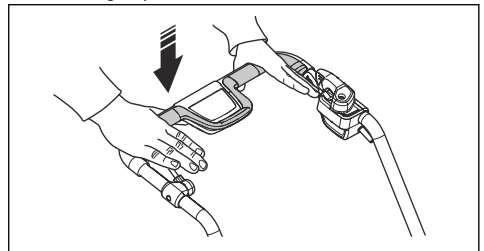
5. Druk op de ON/OFF-knop (A) op het bedieningspaneel. Het display gaat aan. De accu-indicator (B) geeft het laadniveau van de twee accu's aan. Het nummer van de accu die werkt wordt getoond naast de accu-indicator. Op de modellen LC 347iVX, LC 353iVX toont het display ook de ingestelde snelheid.



6. Maak de startvergrendeling los.

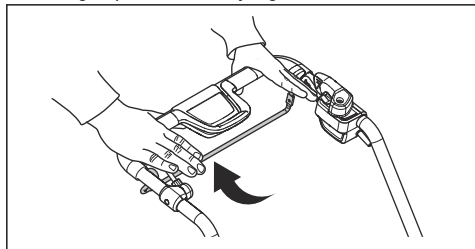


7. Druk de hendel van de motorrem in de richting van de handgreep.

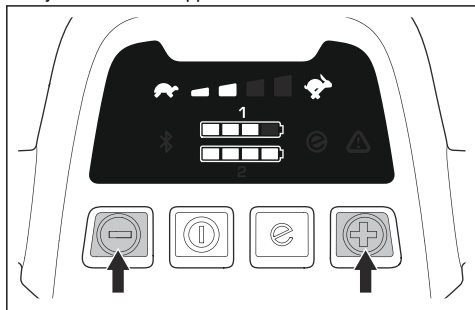


## De aandrijving op de wielen gebruiken LC 347iVX, LC 353iVX

- Trek de aandrijfhendel in de richting van de handgreep om de aandrijving te starten.



- Druk op + en - op het bedieningspaneel om de rijsnelheid in 4 stappen in te stellen.

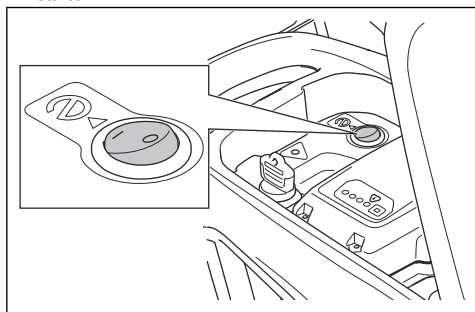


- Laat de aandrijfhendel los om de aandrijving uit te schakelen, bijvoorbeeld wanneer u bij een obstakel komt.

## De functie SavE™ gebruiken (LC 247i)

Het product heeft een accubesparingsfunctie (SavE™) die voor een langere bedrijfstijd zorgt.

- Duw de knop SavE™ naar positie 1 om de functie te starten.



- Duw de knop SavE™ naar positie 0 om de functie uit te schakelen.

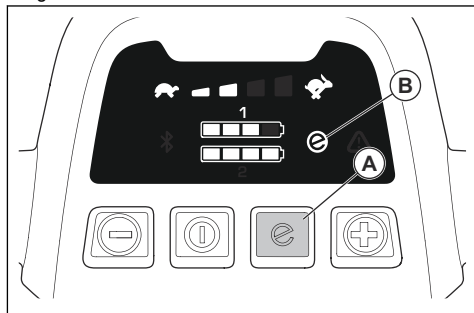
**Let op:** De functie SavE™ stopt automatisch als de bodemgesteldheid een hoger vermogen vereist.

De functie SavE™ start automatisch opnieuw als de bodemgesteldheid dit toelaat.

## De functie SavE™ gebruiken (LC 347iVX, LC 353iVX)

Het product heeft een accubesparingsfunctie (SavE™) die voor een langere bedrijfstijd zorgt.

- Druk op de knop SavE™ (A) om de functie te starten. Het symbool SavE™ (B) op het display gaat branden.
- Druk nogmaals op de knop SavE™ om de functie uit te schakelen. Het symbool SavE™ (B) op het display gaat uit.



**Let op:** De functie SavE™ stopt automatisch als de bodemgesteldheid een hoger vermogen vereist. De functie SavE™ start automatisch opnieuw als de bodemgesteldheid dit toelaat.

## Functie voor hoge belasting

Als het product lang of vochtig gras maait, verhoogt de motor automatisch het toerental. De motor gaat terug naar de standaardmodus wanneer een hoge belasting niet noodzakelijk is.

## Automatisch opnieuw opstarten

Tijdens het bedrijf kunnen het blad en de motor tijdelijk stoppen vanwege obstakels zoals blokkering door gras onder het maaidek. Als dit gebeurt en u de remhendel van de motor ingedrukt houdt, zal het product proberen om automatisch opnieuw op te starten. Als het product niet binnen 5 seconden opnieuw wordt opgestart, kan het nodig zijn om onder het maaidek te reinigen. Zie *Product reinigen* op pagina 428.



**WAARSCHUWING:** Voordat het maaidek wordt gecontroleerd moet de remhendel van de motor worden losgelaten, moet de veiligheidssleutel naar 0 worden gezet, moet de accu worden verwijderd en moet minimaal 5 seconden worden gewacht. Er is risico op letsel als het obstakel wordt

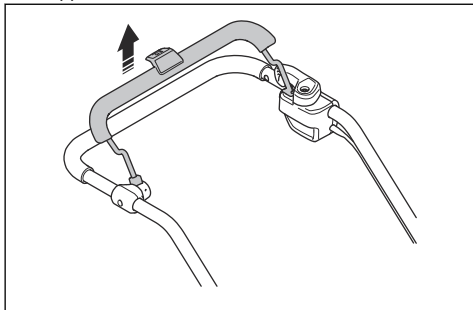
verwijderd en het product onbedoeld wordt gestart.

## Het product stoppen (LC 247i)

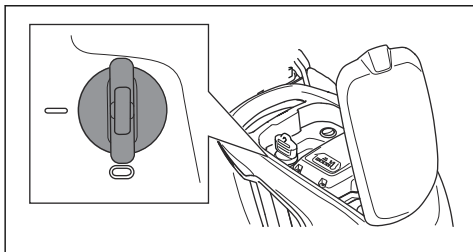


**WAARSCHUWING:** Zet de veiligheidssleutel op 0 wanneer u geen toezicht houdt op het product.

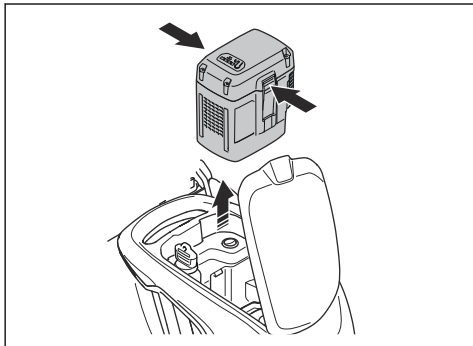
1. Laat de remhendel van de motor los om de motor te stoppen.



2. Open het accudeksel en zet de veiligheidssleutel in de stand 0.



3. Om de accu te verwijderen, drukt u op de 2 ontgrendelknoppen en verwijdert u de accu.



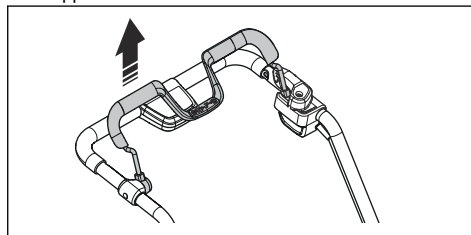
4. Laad de accu op wanneer deze zwak is. Zie *De accu opladen* op pagina 423 voor meer informatie.

## Het product stoppen (LC 347iVX, LC 353iVX)

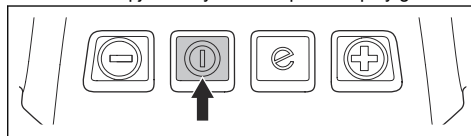


**WAARSCHUWING:** Zet de veiligheidssleutel op 0 wanneer u geen toezicht houdt op het product.

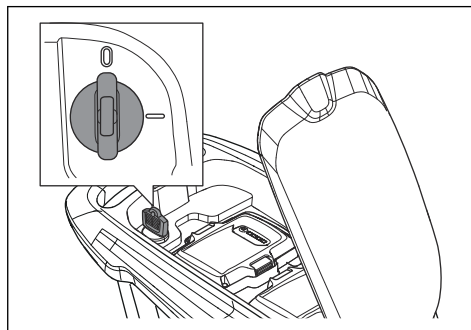
1. Laat de remhendel van de motor los om de motor te stoppen.



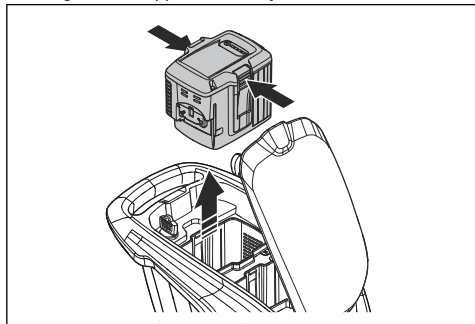
2. Druk op de ON/OFF-knop op het bedieningspaneel. Alle ledlampjes en symbolen op het display gaan uit.



3. Open het accudeksel en zet de veiligheidssleutel in de stand 0.



4. Om de accu te verwijderen, drukt u op de 2 ontgrendelknoppen en verwijdert u de accu.



5. Laad de accu op wanneer deze zwak is. Zie *De accu opladen op pagina 423* voor meer informatie.

**Let op:** Het product wordt automatisch uitgeschakeld als het een aantal minuten niet wordt bediend. Om het product weer te starten, zie *Het product starten (LC 347iVX, LC 353iVX) op pagina 424*.

## Een goed resultaat verkrijgen

- Gebruik altijd een scherp mes. Een bot mes geeft een onregelmatig resultaat en het snijvlak van het gras wordt geel. Een scherp mes verbruikt ook minder energie dan een bot mes.

- Maai nooit meer dan 1/3e van de lengte van het gras af. Maai eerst met een hoog ingestelde maaihoogte. Controleer het resultaat en verlaag de snijhoogte tot een geschikt niveau. Als het gras echt lang is, rijd dan langzaam en maai zo nodig 2 keer.
- Maai elke keer in een andere richting, om het ontstaan van strepen in het gazon te voorkomen.
- Houd de kap van het maaidek schoon. Door ophoping van gras en vuil aan de binnenkant van de kap van het maaidek kunnen de maairesultaten verminderen. Zie *Product reinigen op pagina 428*.

## Zonder grasopvangbak of mulchplug grasmaaien

- Til de achterklep op en verwijder de grasopvangbak.
- Verwijder aangekoppelde mulchpluggen en mulchmessen.
- Sluit de achterklep voordat u het product gebruikt.

Wanneer u het product gebruikt, wordt het gemaaide gras onder de achterklep uitgeworpen.

# Onderhoud

## Inleiding



**WAARSCHUWING:** Voordat u onderhoud gaat uitvoeren, dient u het hoofdstuk over veiligheid te lezen en hebben begrepen.

Voor alle onderhouds- en reparatiewerkzaamheden aan het product is speciale training nodig. Wij garanderen de beschikbaarheid van professionele reparaties en onderhoud. Indien uw dealer geen servicewerkplaats heeft, vraag hem dan naar de dichtstbijzijnde servicewerkplaats.

Zie [www.husqvarna.com](http://www.husqvarna.com) voor meer gedetailleerde informatie.

## Onderhoudsschema

De onderhoudsintervallen worden berekend op basis van het dagelijks gebruik van het product. De intervallen veranderen als het product niet dagelijks wordt gebruikt.

Voor onderhoud dat is gemarkeerd met \*: zie de instructies in *Veiligheid op pagina 413*.

	Elk gebruik	Maandelijks	Elk seizoen
Algemene inspectie uitvoeren	X		
Product reinigen	X		
Controleer de startvergrendeling *	X		
Controleer of de veiligheidsvoorzieningen op het product in orde zijn *	X		
Snijuitrusting controleren	X		

	Elk ge- bruik	Maande- lijks	Elk sei- zoen
Kap van het maaidek controleren *	X		
Controleer de remhendel van de motor *	X		
Zorg dat de AAN/UIT-knop naar behoren werkt en in orde is	X		
Controleer de accu op beschadigingen	X		
Controleer het laadniveau van de accu	X		
Controleer of de ontgrendelknoppen op de accu naar behoren werken en de accu in het product wordt vergrendeld	X		
Controleer de acculader op beschadiging en zorg dat deze naar behoren werkt.		X	
Controleer de verbindingen tussen de accu en het product. Controleer ook de verbinding tussen de accu en de acculader.			X

## Algemene inspectie uitvoeren

- Controleer of de moeren en schroeven op het product goed zijn vastgedraaid.
- Zorg dat de kabels van het product zich in een positie vinden waarin ze niet beschadigd kunnen raken.

## Product reinigen

- Reinig de kunststof onderdelen met een schone en droge doek.
- Gebruik geen water om het product te reinigen. Water kan de accu of de motor binnendringen en kortsluiting of schade aan het product veroorzaken.
- Reinig het product niet met een hogedrukspuit.
- Laat nooit water rechtstreeks op de motor stromen.
- Gebruik een borstel om bladeren, gras en vuil te verwijderen.

## Accu en acculader reinigen



**WAARSCHUWING:** Reinig de accu of acculader nooit met water.

- Zorg ervoor dat de accu en de acculader schoon en droog zijn voordat u de accu in de acculader plaatst.
- Reinig de accupolen met perslucht of gebruik een zachte en droge doek.
- Reinig de oppervlakken van de accu en de acculader met een zachte en droge doek.

## Snijuitrusting controleren



**WAARSCHUWING:** Voorkom onbedoeld starten door de veiligheidssleutel op 0 te zetten, de accu te verwijderen en ten minste 5 seconden te wachten.



**WAARSCHUWING:** Draag beschermende handschoenen wanneer u onderhoud aan de snijuitrusting uitvoert. Het mes is zeer scherp en kan gemakkelijk snijwonden veroorzaken.

1. Controleer de snijuitrusting op beschadiging of scheuren. Vervang beschadigde snijuitrusting altijd.
2. Kijk naar het mes om te zien of dit is beschadigd of bot is.

**Let op:** Het mes moet na het slijpen worden gebalanceerd. Laat het slijpen, vervangen en balanceren door een servicecentrum uitvoeren. Als u een obstakel raakt waardoor het product stopt, vervang dan het beschadigde mes. Laat het servicecentrum beoordelen of het mes kan worden geslepen of moet worden vervangen.

## Mes vervangen

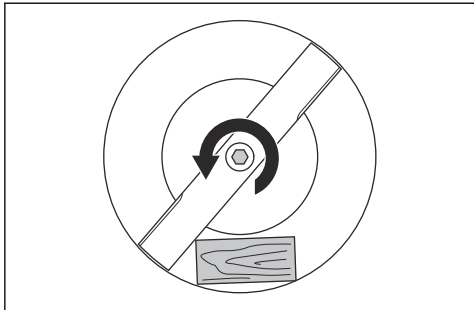
Zie *Technische gegevens op pagina 433* voor het juiste type blad.



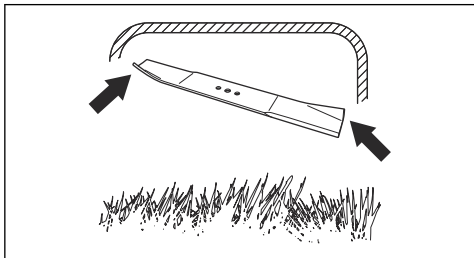
**WAARSCHUWING:** Vergrendel het blad met een houten blok om letsel aan vingers te voorkomen als u het blad vervangt. Het blad kan worden bewogen als de motor uitgeschakeld is en de vingers kunnen vast komen te zitten tussen het blad en de stationaire delen.



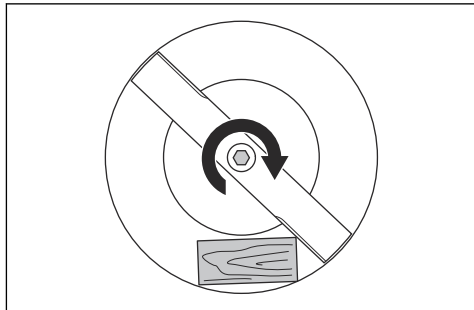
1. Zet het mes vast met een houten blok.



2. Verwijder de mesbout.  
3. Verwijder het mes.  
4. Controleer de messteun en de mesbout om te zien of er schade is.  
5. Controleer de motoras om te controleren of deze niet is verbogen.  
6. Wanneer u het nieuwe mes bevestigt, richt dan de gebogen uiteinden van het mes naar de kap van het maaidek.



7. Controleer of het mes is uitgelijnd met het midden van de motoras.  
8. Zet het mes vast met een houten blok. Bevestig de veerring en draai de bout en ring vast met een aanhaalmoment van 23-28 Nm.



9. Draai het mes met de hand rond en controleer of het vrij draait.



**WAARSCHUWING:** Draag handschoenen van dikke stof. Het mes is zeer scherp en kan gemakkelijk snijwonden veroorzaken.

10. Start het product om het mes te testen. Als het mes niet goed is bevestigd, zijn er trillingen in het product of is het maaieresultaat niet goed.

## Probleemoplossing

### Accu

Led op de accu	Oorzaak	Oplossing
De groene led knippert.	De accuspanning is laag.	Laad de accu op. Zie <i>De accu opladen op pagina 423</i> .

Led op de accu	Oorzaak	Oplossing
De fout-led knippert.	De accu is zwak.	Laad de accu op. Zie <i>De accu opladen op pagina 423</i> .
	De temperatuur in de werkomgeving is te hoog of te laag.	Gebruik de accu bij temperaturen tussen 5 °C en 40 °C.
	Overspanning.	Controleer of de netspanning overeenkomt met de spanning die is aangegeven op het typeplaatje op het product. Haal de accu uit de acculader. Wacht 5 seconden en probeer de accu opnieuw op te laden. Indien het probleem zich blijft voordoen, neem dan contact op met een erkende servicewerkplaats.
De fout-led brandt.	Het celverschil is te groot (1 V).	Neem contact op met een erkende servicewerkplaats.

## Acculader

Led op de acculader	Oorzaak	Oplossing
De fout-led knippert.	De temperatuur in de werkomgeving is te hoog of te laag.	Gebruik de acculader bij temperaturen tussen 5 °C en 40 °C.
De fout-led brandt.		Neem contact op met een erkende servicewerkplaats.

## Gazonmaaier

Het waarschuwinglampje (fout-led) bevindt zich onder het accudeksel. (LC 247i) of op het bedieningspaneel ((LC 347iVX, LC 353iVX)).

Probleem	Fout-led (aantal keer knipperen)	Oorzaak	Oplossing
Fout-led knippert. Het product werkt niet correct.	3	Het blad is geblokkeerd.	Draai de veiligheidssleutel naar 0 om onbedoeld starten te voorkomen. Verwijder de accu en wacht minimaal 5 seconden. Verwijder mogelijke obstakels en zorg ervoor dat het blad vrij kan draaien. Indien het probleem zich blijft voordoen, neem dan contact op met een erkende servicewerkplaats.
	5	Het motortoerental daalt te veel en de motor stopt.	Vergroot de maaihoogte. Zie <i>Maaihoogte afstellen op pagina 422</i> .
	6 <sup>65</sup>	De wielen of transmissie zijn geblokkeerd.	Draai de veiligheidssleutel naar 0 om onbedoeld starten te voorkomen. Verwijder de accu en wacht minimaal 5 seconden. Verwijder de mogelijke obstakels en zorg ervoor dat de wielen vrij kunnen draaien. Indien het probleem zich blijft voordoen, neem dan contact op met een erkende servicewerkplaats.
	10	De motorregeling is te warm.	Stop de motor en wacht tot hij is afgekoeld.
Fout-led knippert. Het product stopt.	0	Storing accuconnector.	Controleer de accuconnector.
	3	De motor is overbelast.	Vergroot de maaihoogte. Zie <i>Maaihoogte afstellen op pagina 422</i> .
	8	De accu is zwak.	Laad de accu op. Zie <i>De accu opladen op pagina 423</i> .
	9	Accufout of geen signaal van de accu.	Plaats de accu correct in het product en controleer de accuconnector. Als de fout-led op de accu knippert. Zie <i>Accu op pagina 429</i> .
	12	Onjuiste startprocedure. De remhendel van de motor is ingeschakeld voordat de motor start.	Laat de remhendel van de motor los en wacht ongeveer 5 seconden. Druk de remhendel van de motor opnieuw omhoog om het product te starten.
Andere fouten.	Als er andere fouten optreden, draait u de veiligheidssleutel naar 0, verwijdert u de accu en neemt u contact op met een erkende servicewerkplaats.		

## Vervoer, opslag en verwerking

### Inleiding

te verwijderen en ten minste 5 seconden te wachten.



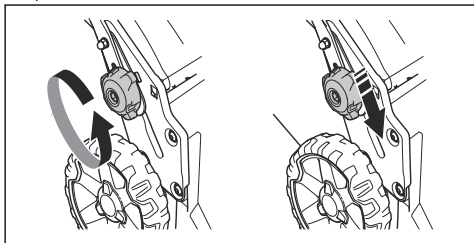
**WAARSCHUWING:** Voorkom onbedoeld starten tijdens transport door de veiligheidssleutel op "0" te zetten, de accu

### Het product in de transportstand zetten

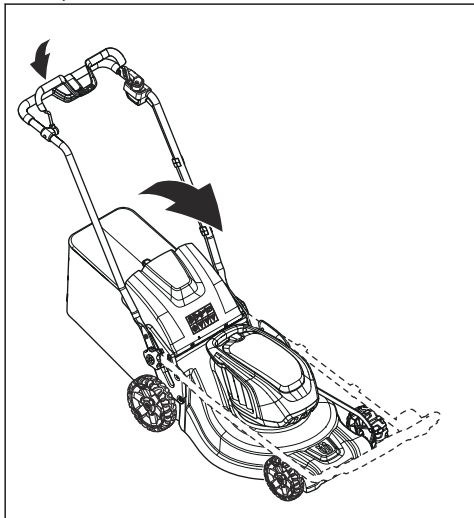
1. Draai de onderste knoppen los.

<sup>65</sup> LC 347iVX, LC353iVX

2. Beweeg de knoppen naar het onderste uiteinde van de sleuven aan de linker- en rechterzijde van het product.



3. Klap de hendel naar voren.



4. Verwijder de grasopvangbak.

## Transport

- De wettelijke vereisten voor gevaarlijke stoffen zijn van toepassing voor de Li-ion-accu's die in het product zitten.
- Voor commercieel transport moet aan speciale vereisten voor de verpakking en labels worden voldaan.
- Zorg dat u de regels voor gevaarlijke materialen in acht neemt bij het voorbereiden van het product voor transport. Er kunnen lokale voorschriften van toepassing zijn.
- Verwijder voor transport altijd de accu.
- Plaats tape op de accuconnectors en zorg ervoor dat de accu niet kan bewegen tijdens transport.
- Zet het product vast tijdens transport.

## Opslag

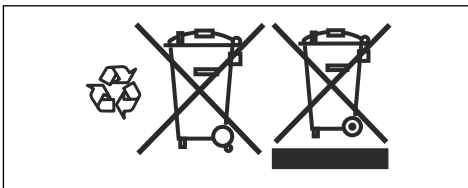
- Laat het product voor opslag afkoelen.

- Verwijder voor opslag altijd de accu.
- Om ongevallen te voorkomen, dient u ervoor te zorgen dat de accu tijdens opslag niet op het product is aangesloten.
- Bewaar de acculader in een afgesloten en droge ruimte.
- Bewaar de accu en de acculader op een droge, vocht- en vorstvrije plaats.
- Koppel de accu tijdens opslag los van de accu.
- Bewaar de accu niet op plaatsen waar statische elektriciteit aanwezig is. Bewaar de accu niet in een metalen doos.
- Bewaar het product in omgevingstemperaturen tussen -10 °C en 40 °C.
- Bewaar de accu in omgevingstemperaturen tussen 5 °C en 25 °C en nooit in direct zonlicht.
- Bewaar de acculader in omgevingstemperaturen tussen 5 °C en 45 °C en nooit in direct zonlicht.
- Zorg ervoor dat de accu tussen de 30% en 50% is opgeladen alvorens langdurige opslag.
- Bewaar het product, de accu en de acculader in een afgesloten ruimte, buiten bereik van kinderen en onbevoegden.
- Reinig het product en zorg ervoor dat de grasopvangbak leeg is.
- Voer de onderhoudsprocedures uit die in deze bedieningshandleiding staan beschreven. Zie *Onderhoud op pagina 427*.
- Voer een volledige servicebeurt uit voordat u het product voor langere tijd opslaat.

## Afvoeren

Symbolen op het product of op de verpakking van het product geven aan dat dit product niet beschouwd kan worden als huishoudelijk afval. Het moet worden ingeleverd bij een geschikt inzamelstation voor het terugwinnen van elektrische en elektronische apparatuur.

Als u ervoor zorgt dat dit product goed wordt verwerkt, helpt u mogelijk negatieve gevolgen voor het milieu en mensen door verkeerd afvalbeheer van dit product tegen te gaan. Neem voor meer informatie over het recyclen van dit product contact op met de gemeente, het afvalverwerkingsbedrijf of de winkel waar u het product hebt gekocht.



## Technische gegevens

### Technische gegevens

	LC 247i	LC 347iVX	LC 353iVX
<b>Maaimotor</b>			
Motortype	BLDC (borstelloos) 36 V	BLDC (borstelloos) 36 V	BLDC (borstelloos) 36 V
Motoroerental – SavE, tpm	2600/min	2600/min	2600/min
Motoroerental – nominaal, tpm	3000/min	3000/min	3000/min
Motoroerental – hoge belasting, tpm	3500/min	3500/min	3500/min
Uitgangsvermogen motor – max. kW	0,96	0,96	1,05
Uitgangsvermogen motor – nominaal, kW	0,75	0,75	0,9
<b>Aandrijfmotor</b>			
Uitgangsvermogen motor – nominaal, kW	N.v.t.	0,25	0,25
Loopsnelheid, km/h	N.v.t.	3,0–4,5	3,0–4,5
Afstelniveaus voor snelheid	N.v.t.	4	4
<b>Gewicht</b>			
Gewicht zonder zak (excl. accu), kg	24,5	26	28
Gewicht met zak (incl. 2 x BLi30), kg	30,5	32,0	34,5
<b>Accu</b>			
Type accu	Accuserie Husqvarna		
<b>Gebruiksduur accu</b>			
Gebruiksduur accu, min. (onbelast gebruik) met SavE geactiveerd, met één Husqvarna 5,2 Ah-accu (BLi30).	62	62	46
Gebruiksduur accu, min. (onbelast gebruik) met standaardmodus geactiveerd, met één Husqvarna 7,7 Ah-accu (BLi30).	43	43	28
<b>Geluidsemisies</b> <sup>66</sup>			
Geluidsvermogensniveau, gemeten dB(A)	94	94	97
Geluidsvermogensniveau, gegarandeerd L <sub>WA</sub> dB (A)	95	95	98
<b>Geluidsniveau</b> <sup>67</sup>			
Geluidsdrukniveau bij het oor van de gebruiker, dB (A)	82	82	86

<sup>66</sup> Geluidsemisatie naar de omgeving gemeten als geluidsvermogen (L<sub>WA</sub>) volgens EG-richtlijn 2000/14/EG.

<sup>67</sup> De gerapporteerde gegevens voor het geluidsdrukniveau hebben een onzekerheidsfactor (K) van 1,5 dB(A).

	LC 247i	LC 347iVX	LC 353iVX
<b>Trillingsniveau</b> <sup>68</sup>			
Handgreep, m/s <sup>2</sup>	0,42	0,42	2,64
<b>Snijuitrusting</b>			
Maaihoogte, mm	20-75 mm	20-75 mm	20-75 mm
Maai breedte, cm	47	47	53
Blad, standaard	Verzamelen 5905934-10	Verzamelen 5905934-10	Verzamelen 5940757-10
Mes, accessoire	Mulch 5907010-10	Mulch 5907010-10	Mulch 5950072-10
Capaciteit grasopvangbak, liter	55	55	60

<b>Radiofrequentiegegevens voor Bluetooth®</b>	LC 247i	LC 347iVX	LC 353iVX
Frequentieband, GHz	N.v.t.	2,4-2,4835	2,4-2,4835
Uitgangsvermogen, max. dBm	N.v.t.	4	4

<b>Goedgekeurde accu's</b>	<b>Type</b>	<b>Accucapaciteit, Ah</b>	<b>Spanning, V</b>	<b>Gewicht, lb/kg</b>
BLi20	Lithium-ion	4,0	36	2,6/1,2
BLi30	Lithium-ion	7,7	36	4,2/1,9

<b>Goedgekeurde laders voor de gespecificeerde accu's, BLi</b>	<b>Ingangsspanning, V</b>	<b>Frequentie, Hz</b>	<b>Vermogen, W</b>
QC80	100-240	50-60	80
40-C80	100-240	50-60	68,8
QC250	100-240	50-60	250

<sup>68</sup> Gerapporteerde gegevens voor het trillingsniveau hebben een onzekerheidsfactor (K) van 1,5m/s<sup>2</sup>. De opgegeven totale trillingswaarde is gemeten overeenkomstig de norm EN 62841-4-3, bijlage I en kan worden gebruikt om machines onderling te vergelijken en voor een voorlopige beoordeling van de blootstelling.

# Verklaring van overeenstemming

## EU-verklaring van overeenstemming

Wij, **Husqvarna AB**, SE-561 82 Huskvarna,  
Zweden, tel: +46-36-146500, verklaren onder onze  
alleenverantwoordelijkheid dat het product:

<b>Beschrijving</b>	Gazonmaaier
<b>Merk</b>	Husqvarna
<b>Type / model</b>	LC 247i
<b>Identificatie</b>	Serienummers vanaf 2021 en verder

volledig voldoet aan de volgende EU-richtlijnen en  
-regelgeving:

<b>Richtlijn/Verordening</b>	<b>Beschrijving</b>
2006/42/EG	"betreffende machines"
2014/30/EU	"betreffende elektromagnetische compatibiliteit"
2000/14/EG	"betreffende de geluidsemissies in het milieu"
2011/65/EU	"inzake beperking van het gebruik van bepaalde gevaarlijke stoffen in elektrische en elektro- nische apparatuur"

en dat de volgende normen en/of technische  
specificaties zijn toegepast: EN 62841-1:2015+AC:2015,  
EN 62841-4-3:2021+A11:2021, EN ISO 12100:2010,  
EN 55014-1:2017+A11:2020, EN 55014-2:2015, EN IEC  
63000:2018.

Aangemelde instantie: 0404, RISE SMP Svensk  
Maskinprovning AB, Box 7035, SE-750 07 Uppsala,  
is gecertificeerd conform Richtlijn 2000/14/EG van de  
Raad, beoordelingsprocedure voor conformiteit: Bijlage  
VI.

Voor informatie over geluidsemissies, zie *Technische  
gegevens op pagina 433*.

Huskvarna, 2021-12-01



Claes Losdal, Development Manager/Garden Products,  
Husqvarna AB

Verantwoordelijk voor technische documentatie



## EU-verklaring van overeenstemming

Wij, **Husqvarna AB**, SE-561 82 Huskvarna, Zweden, tel: +46-36-146500, verklaren onder onze alleenverantwoordelijkheid dat het product:

<b>Beschrijving</b>	Gazonmaaier
<b>Merk</b>	Husqvarna
<b>Type / model</b>	LC 347iVX, LC 353iVX
<b>Identificatie</b>	Serienummers vanaf 2021-12-01 en verder

volledig voldoet aan de volgende EU-richtlijnen en -regelgeving:

<b>Richtlijn/Verordening</b>	<b>Beschrijving</b>
2006/42/EG	"betreffende machines"
2014/53/EU	"betreffende radioapparatuur"
2000/14/EG	"betreffende de geluidsemisies in het milieu"
2011/65/EU	"inzake beperking van het gebruik van bepaalde gevaarlijke stoffen in elektrische en elektronische apparatuur"

en dat de volgende normen en/of technische specificaties zijn toegepast: EN 62841-1:2015+AC:2015, EN 62841-4-3:2021+A11:2021, EN ISO 12100:2010, EN 55014-1:2017+A11:2020, EN 55014-2:2015, EN IEC 63000:2018, EN ETSI 300 328 v.2.2.2, EN 50663: 2017, ETSI EN 301 489-1 V2.2.3, ETSI EN 301 489-17 V3.2.4.

Aangemelde instantie: 0404, RISE SMP Svensk Maskinprovning AB, Box 7035, SE-750 07 Uppsala, is gecertificeerd conform Richtlijn 2000/14/EG van de Raad, beoordelingsprocedure voor conformiteit: Bijlage VI.

Voor informatie over geluidsemisies, zie *Technische gegevens op pagina 433*.

Huskvarna, 2021-12-01

Claes Losdal, Development Manager/Garden Products, Husqvarna AB

Verantwoordelijk voor technische documentatie



---

## Geregistreerde handelsmerken

---

Het *Bluetooth*<sup>®</sup>-woordmerk en de logo's zijn geregistreerde handelsmerken die eigendom zijn van *Bluetooth SIG, inc.* en het gebruik van deze merken door Husqvarna vindt plaats onder licentie.



---

## INNHold

---

Innledning.....	437	Feilsøking.....	454
Sikkerhet.....	439	Transport, oppbevaring og avhending.....	455
Montering.....	445	Tekniske data.....	456
Drift.....	446	Samsvarserklæring.....	459
Vedlikehold.....	452	Registrerte varemerker.....	460

---

## Innledning

---

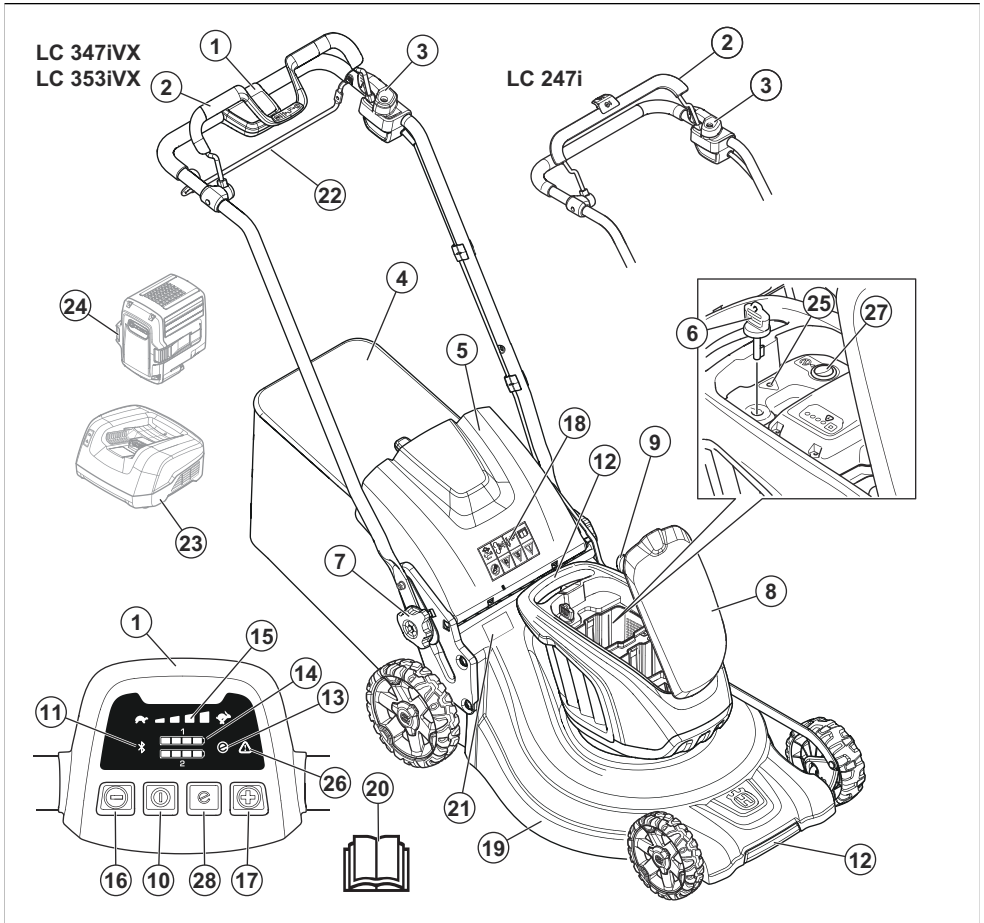
### Produktbeskrivelse

Produktet er en roterende skyveggressklipper. Gresset samles i oppsamleren. Ta av oppsamleren for å få bakutkast for gress. Fest et bioklippsett (tilbehør) for å klippe gresset til gjødsel.

### Bruksområder

Bruk produktet til å klippe gress. Ikke bruk produktet til andre oppgaver.

## Produktoversikt



- |  |   |
|--|---|
| 1. Kontrollpanel (LC 347iVX, LC 353iVX)            | 16. Redusere hastighet-knapp (LC 347iVX, LC 353iVX) |
| 2. Motorbremshåndtak                               | 17. Øke hastighet-knapp (LC 347iVX, LC 353iVX)      |
| 3. Startsperr                                      | 18. Symboler  |
| 4. Oppsamler                                       | 19. Klippedeksel                                    |
| 5. Bakdeksel                                       | 20. Bruksanvisning                                  |
| 6. Tenningsnøkkel                                  | 21. Typeskilt                                       |
| 7. Håndtaksknott                                   | 22. Sikkerhetsbøyle (LC 347iVX, LC 353iVX)          |
| 8. Batterideksel                                   | 23. Batterilader (tilbehør)                         |
| 9. Klippehøyderregulering                          | 24. Batteri (tilbehør)                              |
| 10. ON/OFF-knapp                                   | 25. LED-feillampe (LC 247i)                         |
| 11. Indikator for trådløs Bluetooth®-teknologi     | 26. LED-feillampe (LC 347iVX, LC 353iVX)            |
| 12. Løftehåndtak                                   | 27. SavE-knapp (LC 247i)                            |
| 13. SavE-indikator                                 | 28. SavE-knapp (LC 347iVX, LC 353iVX)               |
| 14. Batteriindikator                               |   |
| 15. Hastighetsnivåindikator (LC 347iVX, LC 353iVX) |   |

## Symboler på produktet



ADVARSEL



Les instruksjonene.



ADVARSEL – vær oppmerksom på objekter som kan slynges ut.



Hold tilskuere på avstand.



ADVARSEL – hold hender og føtter borte fra bladene.



ADVARSEL – koble fra batteriet før vedlikehold.



Produktet og produktemballasjen er ikke restavfall. Resirkuler det på et gjenvinningsanlegg for elektrisk og elektronisk utstyr.



Dette produktet samsvarer med gjeldende EF-direktiver.



Merking for utslipp til miljøet i henhold til EU- og UK-direktiver og -forskrifter. Garantert lydeffektnivå for produktet er angitt i *Tekniske data på side 456* og på etiketten.

## IPX1

Produktet er dryppebeskyttet.



Slipp motorbrems håndtaket for å stoppe.



Kode som kan skannes

**Merk:** Øvrige symboler/klistremerker angitt på produktet gjelder sertifiseringskrav for visse markeder.

## Etikett på produktet



FARE – hold hender og føtter unna.

## Produktansvar

Som nevnt i lovverket om produktansvar er vi ikke ansvarlig for skader som produktet vårt forårsaker, i følgende tilfeller:

- Produktet er reparert på feil måte.
- Produktet er reparert med deler som ikke kommer fra produsenten eller som ikke er godkjent av produsenten.
- Produktet har et tilbehør som ikke kommer fra produsenten eller som ikke er godkjent av produsenten.
- Produktet er ikke reparert på et godkjent servicesenter eller av en godkjent aktør.

## Sikkerhet

### Sikkerhetsdefinisjoner

Advarsler, oppfordringer og merknader brukes for å understreke spesielt viktige deler av bruksanvisningen.



**ADVARSEL:** Brukes hvis det er fare for personskade eller død for brukeren eller andre personer om instruksjonene i håndboken ikke følges.



**OBS:** Brukes hvis det er fare for skade på produktet, annet materiell eller nærliggende områder om instruksjonene i håndboken ikke følges.

**Merk:** Brukes for å gi mer nødvendig informasjon for en spesifikk situasjon.

## Generelle sikkerhetsadvarsler for produkt



**ADVARSEL:** Les alle sikkerhetsadvarsler, instruksjoner, illustrasjoner og spesifikasjoner som fulgte med dette produktet. Hvis du ikke følger alle instruksjonene som er angitt nedenfor, kan det føre til elektrisk støt, brann og/eller alvorlige skader.

**Ta vare på alle advarsler og instruksjoner for fremtidig bruk.** Begrepet «produkt» i advarslene refererer til elektriske produkter som drives av nettstrøm (med ledning) eller batteri (uten ledning).

### Sikkerhet i arbeidsområdet

- Hold arbeidsområdet rent og godt opplyst. Røt og dårlig opplyste områder kan lett føre til ulykker.
- Ikke bruk produktet i eksplosiv atmosfære, for eksempel der det finnes brennbare væsker, gasser eller støv. Produktet danner gnister som kan antenne støv eller gasser.
- Hold barn og andre tilskuere på avstand når produktet er i bruk. Distraksjoner kan føre til at du mister kontrollen.

### El-sikkerhet

- Støpselet til produktet må passe til stikkkontakten. Du må aldri modifisere støpselet på noen måte. Ikke bruk adapterpluggen sammen med jordete produkter. Når støpselet/pluggen ikke er modifisert og stikkkontakten passer, vil dette redusere faren for elektrisk støt.
- Unngå kroppskontakt med jordede flater, for eksempel rør, radiatorer, komfyrer og kjøleskap. Faren for elektrisk støt øker hvis kroppen til brukeren er jordet.
- Produktet må ikke utsettes for regn eller fuktighet. Hvis det kommer vann inn et produkt, øker faren for elektrisk støt.
- Ledningen må håndteres forsiktig. Bruk aldri ledningen til å bære, trekke med deg, eller til å trekke ut støpselet til produktet. Hold ledningen unna varme, olje, skarpe kanter og bevegelige deler. Skadet eller sammenflokete ledninger øker faren for elektrisk støt.
- Når et produkt brukes utendørs, må det brukes en skjøteledning som er egnet for utendørsbruk. Bruk

av ledning for utendørs bruk reduserer faren for elektrisk støt.

- Hvis et produkt må brukes på et fuktig sted, bør det være koblet til en strømkrets som er beskyttet av jordfeilbryter. Bruk av jordfeilbryter reduserer faren for elektrisk støt.

### Personlig sikkerhet

- Vær oppmerksom, følg med på det du gjør, og bruk sunn fornuft når du bruker et produkt. Ikke bruk et produkt hvis du er trett eller påvirket av narkotika, alkohol eller medisiner. Et øyeblikks uoppmerksomhet under bruk av produkter kan føre til alvorlig personskade.
- Bruk personlig verneutstyr. Bruk alltid vernebriller. Bruk av verneutstyr som støvmaske, vernesko med antisklisåle, hjelm og hørselvern der det kreves, reduserer faren for personskade.
- Unngå utilsiktet oppstart. Forsikre deg om at bryteren står i av-stillingen før du kobler til strømforsyningen og/eller batteripakken, tar opp produktet eller bærer produktet. Hvis du bærer et produkt med en finger på bryteren eller med produktet påslått, kan dette lett føre til ulykker.
- Fjern eventuelle justeringsnøkler før du slår på produktet. Nøklene som sitter på de roterende delene av produktet, kan føre til personskade.
- Ikke strekk deg for langt. Hold alltid føttene på bakken og en balansert stilling. Dette gir deg bedre kontroll over produktet i uventede situasjoner.
- Bruk egnede klær. Bruk ikke løstsittende klær eller smykker. Hold hår og klær borte fra bevegelige deler. Løstsittende klær, smykker eller langt hår kan sette seg fast i bevegelige deler.
- Hvis apparatet er forsynt med tilkobling for støvsuger eller oppsamlere, må du forsikre deg om at disse er riktig tilkoblet og brukes på riktig måte. Bruk av støvoppsamlere kan redusere faren for støvrelaterte skader.
- Selv om du har lang erfaring med bruk av produkter, må du ikke bli uforsiktig eller ignorere sikkerhetsreglene. En uforsiktig handling kan føre til alvorlig personskade i løpet av en brøkdel av et sekund.

### Bruk og vedlikehold av produktet

- Ikke bruk makt på produktet. Bruk riktig produkt til den aktuelle oppgaven. Riktig produkt vil gjøre jobben bedre og sikrere i den hastigheten den er konstruert for.
- Ikke bruk produktet hvis bryteren ikke lar seg slå på og av. Produkter som ikke kan kontrolleres med bryteren, er farlige, og må repareres.
- Koble støpselet fra strømforsyningen og/eller batteripakken fra produktet, hvis det er avtakbart, før du foretar justeringer, skifter tilbehør eller legger unna produktet for oppbevaring. Slike forebyggende sikkerhetstiltak reduserer faren for at produktet starter ved et uhell.

- **Produkter som ikke er i bruk, må oppbevares utilgjengelig for barn. Ikke la produkter brukes av personer som ikke er kjent med produktene eller disse instruksjonene.** Produkter er farlige når de brukes av uerfarne brukere.
- **Vedlikehold produkter og tilbehør. Kontroller for feil innretning eller festing av bevegelige deler, brudd på deler eller andre tilstander som kan påvirke produktets funksjon. Hvis produktet er ødelagt, må det repareres før bruk.** Mange ulykker forårsakes av dårlig vedlikeholdte produkter.
- **Hold skjæreverktøy skarpe og rene.** Riktig vedlikeholdte skjæreverktøy med skarpe skjærekanter har mindre fare for å sette seg fast, og er lettere å kontrollere.
- **Bruk produktet, tilbehør og verktøytøys osv. i henhold til disse instruksjonene, og i forhold til arbeidsforholdene og arbeidet som skal utføres.** Bruk av produkter til andre oppgaver enn de er laget for, kan føre til farlige situasjoner.
- **Hold håndtakene og gripeflatene tørre, rene og frie for olje og fett.** Glatte håndtak og gripeflater gjør trygg håndtering og kontroll av produktet i uventede situasjoner umulig.

## Service

- **La en kvalifisert reparatør utføre service kun med identiske reservedeler.** Dette sørger for at produktets sikkerhet opprettholdes.
- **Utfør aldri service på skadede batteripakker.** Service av batteripakker skal kun utføres av produsenten eller autoriserte serviceleverandører.

## Bruk og pleie av batteriverktøy

- **Må bare lades med laderen som er spesifisert av produsenten.** En lader som passer til én batteripakke kan skape brannfare hvis den brukes med en annen batteripakke.
- **Produkter skal bare brukes med spesielt angitte batteripakker.** Bruk av andre batteripakker kan medføre fare for personskade og brann.
- **Når batteriet ikke er i bruk, må det holdes unna andre metallgjenstander som binders, mynter, nøkler, spiker, skruer og andre små metallgjenstander som kan danne en forbindelse fra den ene batteripolen til den andre.** Kortslutning av batteripolene kan føre til forbrenning eller brann.
- **Hvis batteriet utsettes for store påkjenninger, kan det komme væske ut av det. Unngå i så fall kontakt med denne væsken. Skyll med vann hvis kontakt oppstår ved et uhell. Hvis du får væske i øynene, kontakt lege øyeblikkelig.** Væske som kommer ut av batteriet kan forårsake irritasjon eller forbrenninger.
- **Ikke bruk batteripakken eller verktøyet hvis det er skadet eller endret.** Skadede eller endrede batterier kan ha en uforutsigbar adferd, noe som kan føre til brann, eksplosjoner eller personskader.
- **Ikke eksponer en batteripakke eller et verktøy for brann eller for høy temperatur.** Eksponering for

flammer eller temperaturer over 130 °C (265 °F) kan føre til eksplosjon.

- **Følg alle instruksjoner for lading, og ikke lad batteripakken eller verktøyet utenfor temperaturområdet som er angitt i instruksjonene.** Lading på feil måte eller ved temperaturer utenfor det angitte området kan påføre batteriet skade og øke faren for brann.

## Sikkerhetsadvarsler for gressklipperen

- **Ikke bruk gressklipperen i dårlig vær, spesielt ikke når det er fare for lyn og torden.** Dette øker faren for å bli truffet av lynnedslag.
- **Inspiser området grundig for dyreliv der gressklipperen skal brukes.** Dyreliv kan skades av gressklipperen under bruk.
- **Kontroller området grundig der gressklipperen skal brukes, og fjern alle steiner, pinner, ledninger, bein og andre fremmedlegemer.** Gjenstander som slynges ut, kan føre til alvorlig skade.
- **Før du bruker gressklipperen må du alltid inspisere skjærebladet og knivsammenstillingen visuelt etter tegn på slitasje eller skade.** Skadede deler øker faren for personskade.
- **Før bruk må du kontrollere strømledningen og skjøteleddingen etter tegn på skade eller aldring.** Gressklipperen må ikke brukes hvis ledningen er skadet eller slitt. Hvis ledningen er skadet eller slitt under bruk, må du slå av gressklipperen og ikke røre ledningen før du kobler den fra strømforsyningen. En skadet strømledning eller skjøteledding kan føre til elektrisk støt, brann og/eller alvorlig personskade.
- **Kontroller gressutkasteren ofte med tanke på slitasje eller skader.** En slitt eller skadet gressoppsamler kan øke faren for personskade.
- **Hold dekslene på plass. Dekslene må være i god stand og være riktig montert.** Et deksel som er løst, skadet eller som ikke fungerer som det skal, kan føre til personskade.
- **Sørg for at det ikke kommer rusk inn i kjøleluftinntaket.** Blokkerte luftinntak og rusk kan føre til overoppheting eller brannfare.
- **Bruk alltid sklisikkert og beskyttende føttøy når du bruker gressklipperen. Ikke vær barbeint eller bruk åpne sandaler når du bruker gressklipperen.** Dette reduserer faren for skade på føttene fra kontakt med skjærebladet når det er i bevegelse.
- **Bruk alltid lange bukser når du bruker gressklipperen.** Hud som ikke er tildekket er mer sannsynlig å skades av gjenstander som kan slynges ut.
- **Ikke bruk gressklipperen i vått gress. Gå, ikke løp.** Dette reduserer faren for å skli og falle, som kan føre til personskade.
- **Ikke bruk gressklipperen i svært bratte skråninger.** Dette reduserer risikoen for å miste kontrollen, skli og falle, som kan føre til personskade.
- **Når du arbeider i skråninger, må du alltid stå støtt, alltid arbeide på tvers av skråninger, aldri**

**opp eller ned dem, og være svært forsiktig når du skifter retning.** Dette reduserer risikoen for å miste kontrollen, skli og falle, som kan føre til personskade.

- **Vær ekstremt forsiktig når du kjører i revers eller trekker gressklipperen mot deg. Vær alltid oppmerksom på omgivelsene dine.** Dette reduserer faren for å snuble under drift.
- **Hold strømkabelen borte fra skjærebladene.** En skadet strømledning kan føre til elektrisk støt, brann og/eller alvorlig personskade.
- **Slå av og trekk støpselet ut av stikkkontakten hvis ledningen har floket seg eller er skadet.** Slitte eller skadete ledninger øker faren for elektrisk støt.
- **Ikke ta på skjærebladene eller andre farlige bevegelige deler mens de fortsatt er i bevegelse.** Dette reduserer faren for skader fra bevegelige deler.
- **Når du fjerner fastkjørt materiale eller utfører service på gressklipperen, må du kontrollere at alle strømbrytere er av, og at strømledningen er koblet fra.** Uventet bruk av gressklipperen kan føre til alvorlig personskade.

### Reststrømenhet

- Bruk en reststrømenhet med en utløsningsstrøm på maksimalt 30 mA.

### Generelle sikkerhetsinstruksjoner



**ADVARSEL:** Les de følgende advarselinstruksjonene før du bruker produktet.

- Dette produktet er farlig hvis det brukes feil, eller hvis du ikke er forsiktig. Personskade eller død kan forekomme hvis du ikke følger sikkerhetsinstruksjonene.
- Dette produktet danner et elektromagnetisk felt når det er i bruk. Dette feltet kan under visse forhold forstyrre aktive eller passive medisinske implantater. For å redusere faren for hendelser som kan føre til alvorlig eller livstruende skade, anbefaler vi at personer med medisinske implantater rådfører seg med lege og produsenten av det medisinske implantatet før dette produktet tas i bruk.
- Vær alltid forsiktig, og bruk sunn fornuft. Hvis du ikke er sikker på hvordan du skal bruke produktet i en bestemt situasjon, må du stoppe og snakke med Husqvarna-forhandleren før du fortsetter.
- Husk at brukeren er ansvarlig for ulykker som involverer andre personer eller deres eiendom.
- Hold produktet rent. Sørg for at du kan lese skilt og merker.
- La aldri barn eller personer som ikke har satt seg inn i bruksanvisningen, bruke apparatet. Brukerens lavalder kan være fastsatt i lokale forskrifter.

- Overvåk alltid personer med redusert fysisk eller mental kapasitet når de bruker produktet. En ansvarlig voksen må alltid være til stede.
- Ikke bruk produktet dersom du er trett eller syk eller under påvirkning av alkohol, andre rusmidler eller medisiner. Disse tingene har en negativ effekt på synet, vurderingsevnen og dømmekraften din.
- Ikke bruk produktet hvis det er defekt.
- Ikke modifier dette produktet, og ikke bruk det dersom det er mulig at andre har modifisert det.

### Arbeidssikkerhet



**ADVARSEL:** Les de følgende advarselinstruksjonene før du bruker produktet.

- Bruk dette produktet bare til å klippe gressplener. Det er ikke tillatt å bruke det til andre formål.
- Bruk personlig verneutstyr. Se *Personlig verneutstyr på side 443*.
- Sørg for at du vet hvordan du stopper motoren raskt i en nødsituasjon.
- Produktet må ikke brukes i regn eller fuktige omgivelser. Fare for elektrisk støt øker hvis det kommer vann inn i produktet.
- Ikke bruk produktet med mindre kniven og alle deksler er riktig montert. En kniv som er feilmontert, kan løse og forårsake personskade.
- Pass på at kniven ikke kommer borti gjenstander som steiner og røtter. Dette kan skade kniven og bøye motorakselen. En bøyd aksel kan forårsake mye vibrasjon og utgjør en svært høy fare for at kniven blir løs.
- Hvis kniven treffer en gjenstand eller det oppstår kraftige vibrasjoner, må produktet stanses øyeblikkelig. Stopp motoren, vri tenningsnøkkelen til 0, og fjern batteriet. Vent til alle bevegelige deler har stoppet. Kontroller produktet for skader. Stram til løse deler. Reparer skader og skift ut skadde deler.
- Du må aldri feste motorbremsåndtaket permanent til håndtaket når motoren er i gang.
- Plasser produktet på et stabilt, flatt underlag, og start det. Pass på at kniven ikke berører bakken eller andre gjenstander.
- Hold deg alltid bak produktet når du bruker det.
- La alle hjulene være på bakken, og hold begge hender på håndtaket når du bruker produktet. Hold hender og føtter borte fra de roterende knivene.
- Ikke vipp produktet når du starter motoren eller under bruk av produktet.
- Vær forsiktig når du trekker produktet bakover.
- Du må aldri løfte produktet når motoren er i gang. Hvis du har behov for å løfte produktet, må du først stoppe motoren, vri tenningsnøkkelen til 0 og fjerne batteriet.
- Ikke gå bakover når du bruker produktet.

- Stopp motoren når det er nødvendig å vippe produktet for transport eller før du beveger deg over områder uten gress, for eksempel gangveier med grus, stein og asfalt.
- Ikke løp med produktet når motoren er på. Du må alltid gå mens du bruker produktet.
- Stopp motoren før du endrer klippehøyde. Utfør aldri justeringer mens motoren er i gang.
- La aldri produktet være ute av syne mens motoren er i gang. Stopp motoren, og forsikre deg om at skjæreutstyret ikke roterer.
- Vibrasjonene i produktet under drift kan være forskjellige fra den oppgitte vibrasjonsverdien i *Tekniske data på side 456*. Forskjellen skyldes variasjoner i hvordan produktet brukes. Hvis du bruker produktet ofte eller over lengre tid, må du ta pauser regelmessig for å unngå skader fra vibrasjonene.

## Sikkerhetsinstruksjoner for drift

### Personlig verneutstyr



**ADVARSEL:** Les de følgende advarelinstruksjonene før du bruker produktet.

- Verneutstyr kan aldri fullstendig forhindre skade, men det reduserer skadeomfanget hvis ulykken inntreffer. Spør forhandleren din om hjelp til å velge riktig utstyr.
- Bruk kraftige, sklisikre støvler eller sko. Ikke bruk åpne sko eller gå barbeint.
- Bruk tykke langbukser.
- Bruk vernehansker når det er nødvendig, for eksempel når du fester, undersøker eller rengjør skjæreutstyret.
- Vi anbefaler at du bruker hørselsvern.

### Sikkerhetsutstyr på produktet



**ADVARSEL:** Les de følgende advarelinstruksjonene før du bruker produktet.

- Ikke bruk produktet dersom sikkerhetsutstyret er defekt.
- Ikke fjern eller gjør endringer på sikkerhetsutstyr.
- Utfør regelmessig kontroll av sikkerhetsutstyret. Ta kontakt med ditt Husqvarna-serviceverksted, dersom sikkerhetsutstyret er defekt.

### Slik kontrollerer du klippedekselet

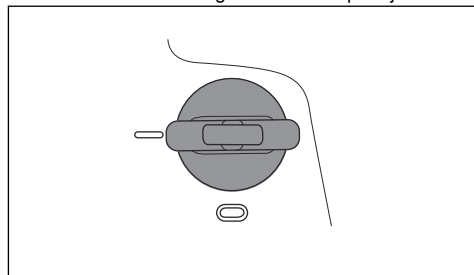
Klippedekselet gir mindre vibrasjoner og minsker risikoen for skader forårsaket av kniven.

- Undersøk klippedekselet for å sikre at det ikke er noen skader, for eksempel sprekker.

### Slik kontrollerer du tenningsnøkkelen

Tenningsnøkkelen er under batteridekselet. Tenningsnøkkelen kobler til batteriet som forsyner motoren med strøm.

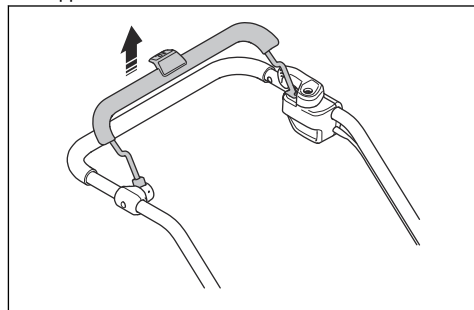
- Skru motoren på og av for å utføre en kontroll av tenningsnøkkelen.
- Hvis tenningsnøkkelen fungerer riktig, kan motoren bare starte når tenningsnøkkelen er i posisjon 1.



### Kontroller motorbremsåndtaket

Motorbremsåndtaket stopper motoren. Når du slipper motorbremsåndtaket, stopper motoren.

- Start produktet. Se *Drift på side 446*.
- Slipp motorbremsåndtaket.



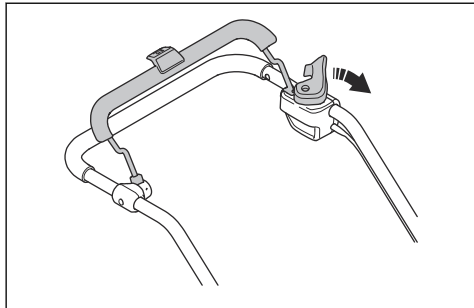
- Kontroller at produktet stopper. Hvis motoren ikke stopper innen tre sekunder, må du la et godkjent Husqvarna-serviceverksted justere motorbremsen.

### Kontroller startspærren

Utfør en kontroll av startspærren for å sikre at den hindrer driften av motoren.

1. Trykk motorbremsåndtaket i retning av styret. Startspærren stopper bevegelsen.

## 2. Skyv startspærren ut.



## 3. Løsne startspærren, og kontroller at den går tilbake til sin opprinnelige posisjon.

### Batterisikkerhet



**ADVARSEL:** Les de følgende advarselinstruksjonene før du bruker produktet.

- Bruk bare Husqvarna oppladbare batterier som strømforsyning for relaterte Husqvarna-produkter. For å unngå personskader må du ikke bruke batteriet som strømforsyning for andre enheter.
- Ikke bruk ikke-oppladbare batterier.
- Fare for elektrisk støt. Ikke la batteripolene komme i kontakt med nøkler, mynter, skruer eller andre metallgjenstander. Dette kan føre til kortslutning av batteriet.
- Ikke sett gjenstander inn i luftåpningene til batteriet.
- Hold batteriet unna sollys, varme og åpen ild. Batteriet kan eksplodere og forårsake forbrenninger og/eller kjemiske forbrenninger.
- Hold batteriet unna regn og fuktighet.
- Hold batteriet unna mikrobølger og høyt trykk.
- Ikke prøv å demontere eller ødelegge batteriet.
- Hvis batteriet lekker, må væsken ikke komme i kontakt med hud eller øyne. Hvis du har berørt væsken, må du rengjøre området med store mengder vann og oppsøke legehjelp.
- Bruk batteriet i produktet bare i omgivelsestemperaturer fra 5 °C til 40 °C.
- Bruk batteriladeren bare i omgivelsestemperaturer fra 5 °C til 40 °C.
- Batteriet lades ikke hvis batteritemperaturen er på over 50 °C.
- Ikke rengjør batteriet eller batteriladeren med vann. Se *Slik rengjør du batteriet og batteriladeren på side 453*.
- Ikke bruk et defekt eller skadet batteri.
- Oppbevar batteriene unna metallgjenstander, for eksempel spikre, mynter og smykker.

### Sikker bruk av batteriladeren



**ADVARSEL:** Les de følgende advarselinstruksjonene før du bruker produktet.

- Bruk QC-batteriladere bare til å lade Husqvarna-erstatningsbatteriene.
- Fare for elektrisk støt eller kortslutning. Ikke sett gjenstander inn i luftåpningene til laderen. Ikke prøv å demontere batteriladeren. Ikke la ladekontaktene berøre metallgjenstander. Bruk en godkjent stikkontakt.
- Dette produktet danner et elektromagnetisk felt når det er i bruk. Dette feltet kan under visse forhold forstyrre aktive eller passive medisinske implantater. For å redusere faren for forhold som kan føre til alvorlig eller livstruende skade, anbefaler vi at personer med medisinske implantater rådfører seg med sin lege og produsenten av det medisinske implantatet før dette produktet tas i bruk.
- Kontroller regelmessig at strømledningen til batteriladeren ikke er skadet, og at det ikke er sprekker i den.
- Ikke løft batteriladeren etter strømledningen. For å koble laderen fra stikkkontakten drar du i støpselet. Ikke dra i ledningen.
- Hold strømledningen og skjøteleddinger borte fra vann, olje og skarpe kanter. Pass på at kableen ikke kommer i klem i dører, gjerder eller lignende. Det kan føre til at laderen blir strømførende.
- Ikke rengjør batteriladeren med vann.
- Batteriladeren kan brukes av barn over 8 år og personer med nedsatte fysiske og mentale evner eller personer uten erfaring eller kunnskap hvis de får tilsyn eller instruksjoner om hvordan de bruker batteriladeren på en sikker måte, og forstår farene ved bruken. Barn skal ikke leke med batteriladeren. Rengjøring og vedlikehold skal ikke utføres av barn uten tilsyn.
- Ikke lad engangsbatterier i batteriladeren.
- Ikke bruk batteriladeren i nærheten av brennbare materialer eller materialer som kan forårsake korrosjon. Batteriladeren må ikke tildekkes. Trekk ut støpselet til batteriladeren hvis det oppstår røyk eller brann.
- Ikke bruk en defekt eller skadet batterilader.
- Bare lad batteriet innendørs på et sted som har god luftsirkulasjon og er beskyttet mot direkte sollys. Ikke lad batteriet i fuktige omgivelser.

### Sikkerhetsinstruksjoner for vedlikehold



**ADVARSEL:** Les de følgende advarselinstruksjonene før du bruker produktet.

- Når du skal hindre utilsiktet start under vedlikehold, vrir du om tenningsnøkkelen til 0 og tar ut



batteriet. Vent i minst 5 sekunder før du begynner vedlikeholdet.

- Utfør bare vedlikeholdsarbeid som er beskrevet i denne bruksanvisningen. Mer omfattende inngrep og profesjonelle reparasjoner skal utføres av et godkjent serviceverksted. Snakk med nærmeste serviceverksted for mer informasjon.
- Utfør vedlikeholdsarbeidet på riktig måte for å øke levetiden til produktet og redusere risikoen for ulykker.
- Skift ut alle skadde, slitte eller ødelagte deler. Bruk bare originale reservedeler fra produsenten. Andre reservedeler kan forårsake skade på produktet og øke risikoen for ulykker.
- For å forhindre skade må du ikke fjerne eller gjøre endringer på sikkerhetsutstyret.

- Ta på kraftige hansker når du bruker skjæreutstyret. Kniven er svært skarp, og det er lett å skjære seg.
- Hold skjærekantene skarpe og rene for best og sikrest ytelse.
- La serviceverkstedet undersøke produktet regelmessig og utføre de nødvendige justeringene og reparasjonene.
- Følg instruksjonene for utskifting av tilbehør. Bruk bare tilbehør fra produsenten.
- Når de ikke er i bruk, oppbevarer du produktet, batteriet og batteriladeren fra hverandre i et tørt, innendørs og avlåst område. Kontroller at barn og personer som ikke er autoriserte, ikke kan få tilgang til produktet, batteriet eller batteriladeren.

## Montering

### Innledning



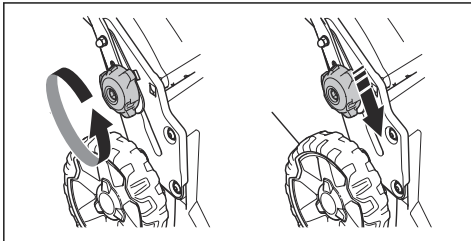
**ADVARSEL:** Før du monterer produktet, må du lese kapittelet om sikkerhet.



**ADVARSEL:** Når du skal hindre utilsiktet start ved montering, vri du tenningsnøkkelen til 0, tar ut batteriet og venter i minst fem sekunder.

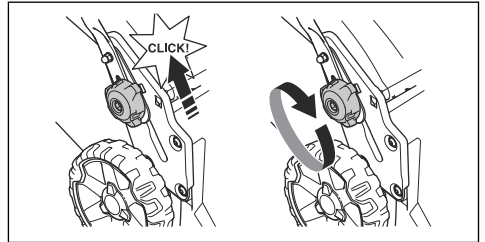
### Slik justerer du håndtaket

1. Løsne de nedre knottene.
2. Flytt knottene til den nedre enden av sporene på venstre og høyre side av produktet.



3. Angi høyden på håndtaket til én av de to tilgjengelige posisjonene.

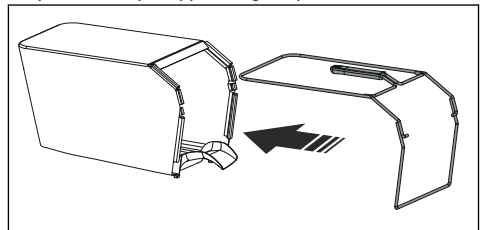
4. Flytt knottene oppover i retning av håndtaket til de stopper og du hører et klikk.



5. Trekk til knottene helt.

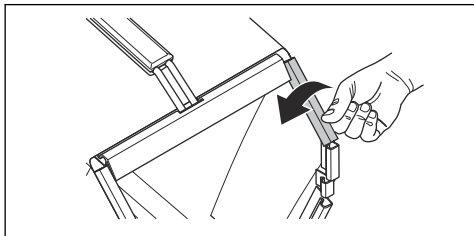
### Slik monterer du oppsamleren

1. Fest oppsamlerammen til gressposen med den faste delen av posen på undersiden. Hold håndtaket på rammen på toppen av gressposen.

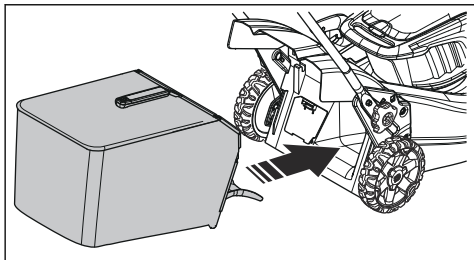


2. Fest nedre del av oppsamlerammen i sporet på bunnen av oppsamleren.

3. Fest gressposen til oppsamlerammen med klemmene.

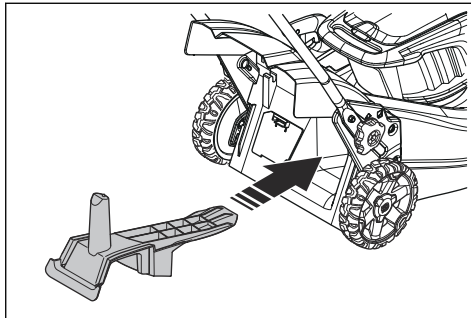


4. Løft det bakre dekkelet.
5. Fest oppsamleren til den øverste kanten av chassiset.
6. Sett den nedre delen av oppsamleren inn i utkasterkanalen.



## Slik monterer du finfordelingspluggen (tilbehør)

1. Løft opp det bakre dekkelet, og ta av gressoppamleren.
2. Sett finfordelingspluggen inn i utkasterkanalen.



3. Skift ut kniven med finfordelingskniven fra finfordelingssettet. Se *Slik skifter du ut kniven på side 453*.

## Drift

### Innledning



**ADVARSEL:** Før du bruker produktet, må du lese og forstå kapittelet om sikkerhet.

### Husqvarna Connect

Husqvarna Connect er en kostnadsfri app for mobilenheten din. Husqvarna Connect-appen gir utvidede funksjoner for Husqvarna-produktet ditt:

- utvidet produktinformasjon
- informasjon om og hjelp med produktdele og service

### Slik begynner du å bruke Husqvarna Connect

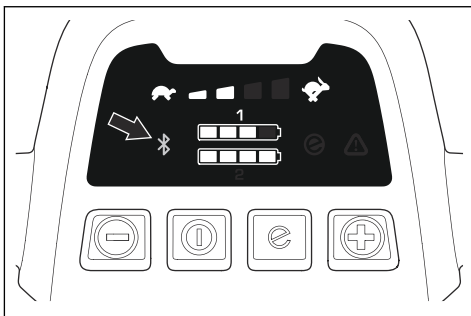
1. Last ned Husqvarna Connect-appen på mobilenheten din.
2. Utfør registrering i Husqvarna Connect-appen.
3. Følg instruksjonene i Husqvarna Connect-appen for å koble til og registrere produktet.

**Merk:** Husqvarna Connect-appen er ikke tilgjengelig for nedlasting i alle markeder. Kontakt serviceforhandleren din for mer informasjon.

### Bluetooth®-informasjon (LC 347iVX, LC 353iVX)

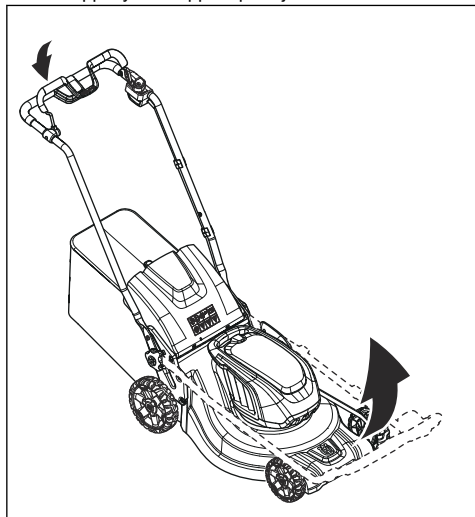
#### Trådløs Bluetooth®-teknologi

Symbolet for trådløs *Bluetooth*®-teknologi tennes når den mobile enheten kobles til produktet.

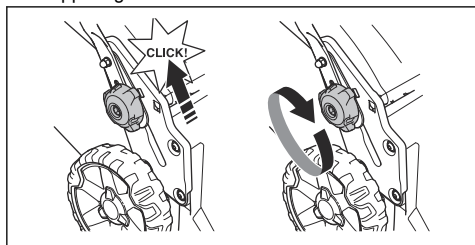


## Slik setter du produktet i arbeidsstilling

1. Fell opp styret til oppfelt posisjon.



2. Flytt knottene oppover i retning av styret til de stopper og du hører et klikk.



3. Trekk til knottene helt.



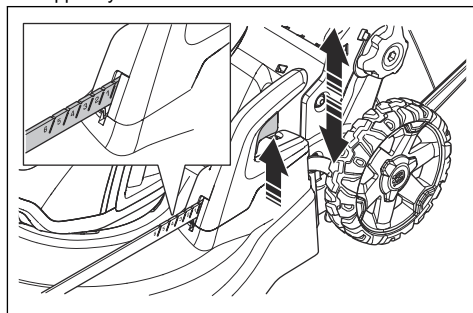
**ADVARSEL:** Ikke bruk produktet med mindre håndtaket er helt foldet opp og satt i en av de aktuelle høydeposisjonene. Se *Slik justerer du håndtaket på side 445*.

## Slik regulerer du klippehøyden

Klippehøyden kan justeres i seks trinn.

1. Flytt spaken for klippehøyde nedover for å senke klippehøyden.

2. Flytt spaken for klippehøyde oppover for å heve klippehøyden.



**OBS:** Ikke sett klippehøyden for lavt. Knivene kan treffe bakken hvis overflaten av plenen ikke er vannrett.

## Batteri



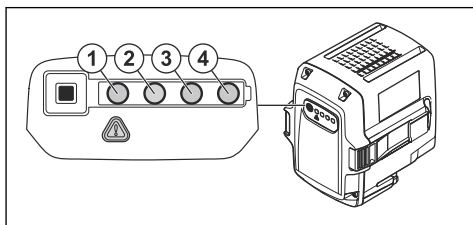
**ADVARSEL:** Før du bruker batteriet, må du lese og forstå kapitlet om sikkerhet. Du må også lese og forstå bruksanvisningen for batteriet og batteriladeren.

Batteriet og batteriladeren må oppbevares i riktig omgivelsestemperatur.

	Omgivelsestemperatur
Bruk av batteriet	5 °C til 40 °C
Lade batteriet	5 °C til 40 °C

## Batteristatus

Displayet viser gjenværende batterikapasitet og eventuelle problemer med batteriet. Batterikapasiteten vises i 5 sekunder etter at produktet er slått av, eller når batteriindikatorknappen trykkes inn. Advarselssymbolet på batteriet lyser hvis en feil oppstår. Se *Batteri på side 454*.



LED-lamper	Batteristatus
Alle LED-indikatorer lyser	Fullt ladet (75–100 %)

LED-lamper	Batteristatus
LED 1, LED 2, LED 3 lyser.	Batteriet er 50–75 % ladet.
LED 1, LED 2 lyser.	Batteriet er 25–50 % ladet.
LED 1 lyser.	Batteriet er 0–25 % ladet.
LED 1 blinker	Batteriet er utladet. Lad batteriet.

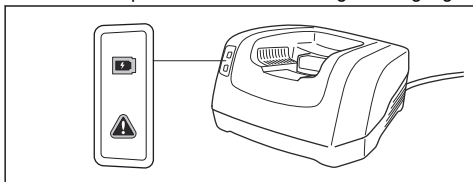
### Slik lader du batteriet

Lad batteriet før første gangs bruk. Batteriet er bare 30 % oppladet når det leveres til kunden.

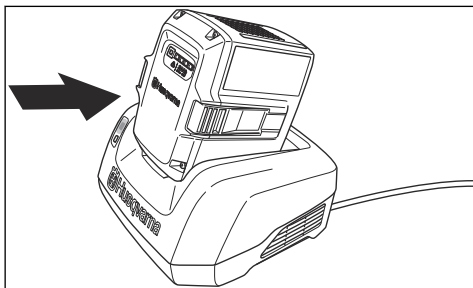
**Merk:** Batteriladeren må kobles til den spenningen og frekvensen som er angitt på typeskiltet.

Batteriet lades ikke hvis batteritemperaturen er over 50 °C. Batteriladeren reduserer batteriets temperatur før den begynner å lade.

1. Koble den ene enden av strømledningen for batteriladeren inn i kontakten på batteriladeren.
2. Koble den andre enden av strømledningen for batteriladeren inn i en jordet stikkontakt. LED-indikatoren på batteriladeren blinker grønt én gang.



3. Sett batteriet i batteriladeren. Den grønne lampen på laderen tennes når batteriet er riktig koblet til laderen.



4. Når alle LED-indikatorene på batteriet lyser, er batteriet fulladet. Lad batteriet i maks. 24 timer.
5. For å koble laderen fra stikkontakten må du dra i selve støpselet, ikke i ledningen.
6. Fjern batteriet fra batteriladeren.

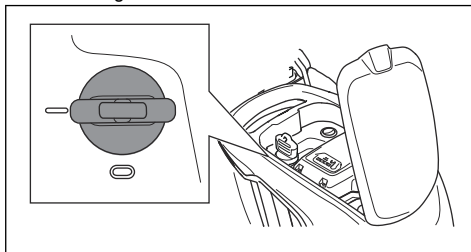
### Batteriladestatus

Et Husqvarna Li-ionbatteri kan lades eller brukes ved et hvilket som helst ladenivå. Batteriet blir ikke skadet. Et fulladet batteris ladenivå reduseres ikke når batteriet blir stående i laderen.

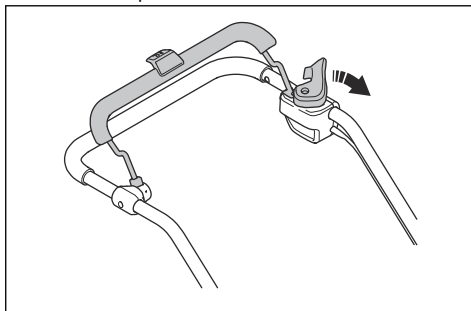
LED-display	Ladestatus
LED 1 blinker	0–25 %
LED 1 lyser, LED 2 blinker	25–50 %
LED 1, LED 2 lyser, LED 3 blinker	50–75 %
LED 1, LED 2, LED 3 lyser, LED 4 blinker	75–100 %
Lampe 1, lampe 2, lampe 3 og lampe 4 tennes	Fulladet

### Slik starter du produktet (LC 247i)

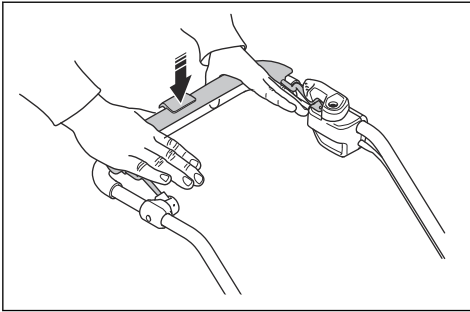
1. Åpne batterilokket.
2. Sett et oppladet batteri inn i en av batteriholderne. For å få lengre driftstid kan du sette et annet oppladet batteri inn i den andre batteriholderen.
3. Vri tenningsnøkkelen til 1.



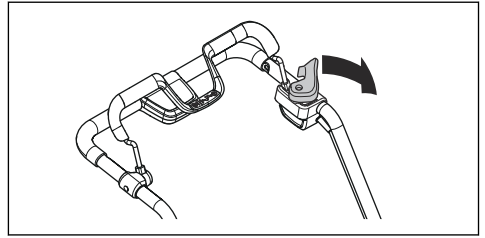
4. Stå bak produktet.
5. Løsne startsperreren.



6. Trykk motorbremseshåndtaket i retning av styret.

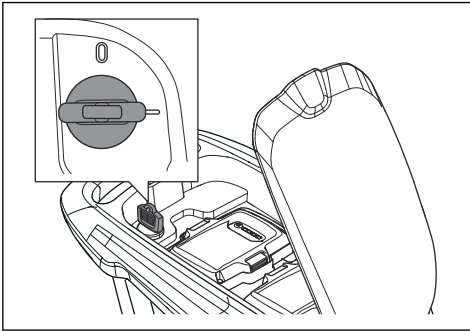


6. Løsne startsperran.



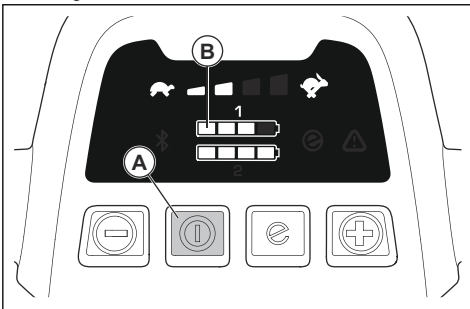
## Slik starter du produktet (LC 347iVX, LC 353iVX)

1. Åpne batterilokket.
2. Sett et oppladet batteri inn i en av batteriholderne. For å få lengre driftstid kan du sette et annet oppladet batteri inn i den andre batteriholderen.
3. Vri tenningsnøkkelen til 1.

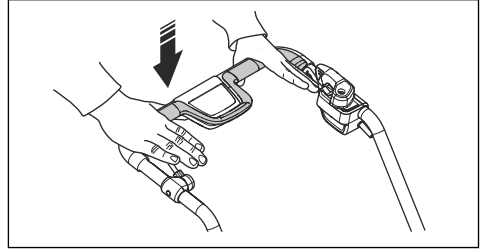


4. Stå bak produktet.

5. Trykk på PÅ/AV-knappen (A) på kontrollpanelet. Displayet slås på. Batteriindikatoren (B) viser batterinivået til de to batteriene. Nummeret på batteriet som er i bruk, vises ved siden av batteriindikatoren. For modellene LC 347iVX, LC 353iVX viser displayet også den angitte hastigheten.

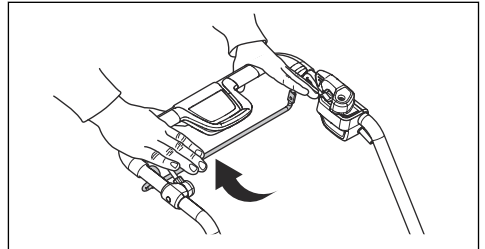


7. Trykk motorbremseshåndtaket i retning av styret.

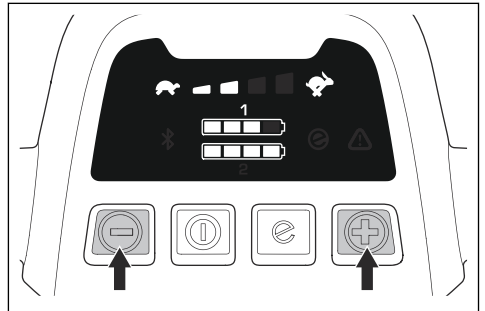


## Slik brukes hjuldriften LC 347iVX, LC 353iVX

- Trekk sikkerhetsbøylen i retning av håndtaket for å begynner å kjøre.



- Trykk på + og - på kontrollpanelet for å angi hastigheten i fire trinn.

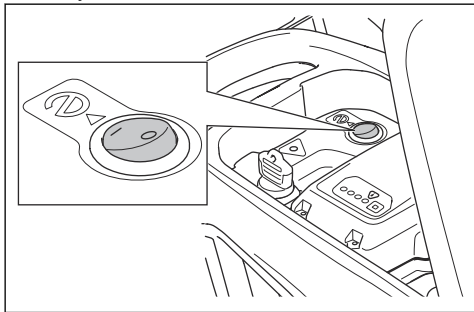


- Løsne sikkerhetsbøylen for å frakoble driften, for eksempel når du går nær en hindring.

## Slik bruker du SavE™-funksjonen (LC 247i)

Produktet har en batterisparefunksjon (SavE™) som gir lengre driftstid.

- Skyv SavE™-knappen til posisjon 1 for å starte funksjonen.



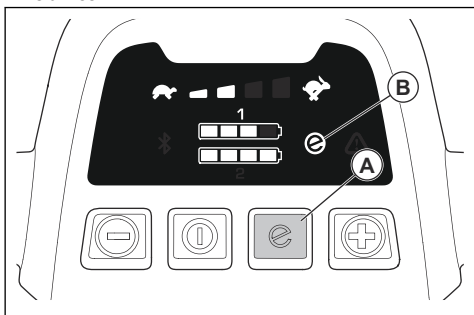
- Skyv SavE™-knappen til posisjon 0 for å stoppe funksjonen.

**Merk:** SavE™-funksjonen stopper automatisk hvis bakkeforholdene gjør det nødvendig med høyere effekt. SavE™-funksjonen starter automatisk igjen når bakkeforholdene tillater det.

## Slik bruker du SavE™-funksjonen (LC 347IVX, LC 353IVX)

Produktet har en batterisparefunksjon (SavE™) som gir lengre driftstid.

1. Trykk på SavE™-knappen (A) for å starte funksjonen. SavE™-symbolet (B) på displayet tennes.
2. Trykk på SavE™-knappen igjen for å stoppe funksjonen. SavE™-symbolet (B) på displayet slukkes.



**Merk:** SavE™-funksjonen stopper automatisk hvis bakkeforholdene gjør det nødvendig med høyere effekt. SavE™-funksjonen starter automatisk igjen når bakkeforholdene tillater det.

## Høybelastningsfunksjon

Når produktet klipper langt eller vått gress, øker motoren automatisk turtallet. Motoren går tilbake til standardmodus når høy last ikke er nødvendig.

## Automatisk omstart

Under drift kan skjærebladet og motoren stoppe midlertidig på grunn av hindringer, for eksempel fordi klippedekselet blokkeres av gress. Hvis dette skjer, og du fortsetter å holde motorbrems håndtaket trykket ned, prøver produktet å starte på nytt automatisk. Hvis produktet ikke starter på nytt etter 5 sekunder, kan det være nødvendig å rengjøre klippedekselet. Se *Slik rengjør du produktet på side 452*.



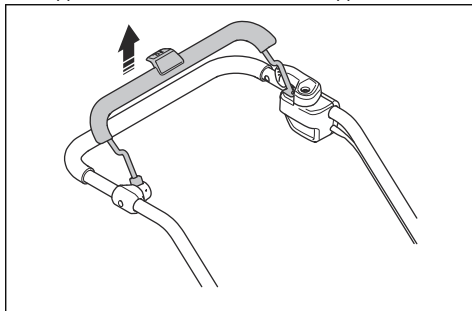
**ADVARSEL:** Før du kontrollerer klippedekselet, slipper du motorbrems håndtaket, vri tenningsnøkkelen til 0, tar ut batteriet og venter i minst 5 sekunder. Det er fare for personskafe hvis hindringen fjernes og produktet starter ved et uhell.

## Slik stopper du produktet (LC 247i)

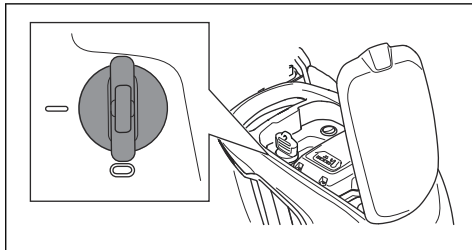


**ADVARSEL:** Vri tenningsnøkkelen til 0 før du slipper produktet ut av syne.

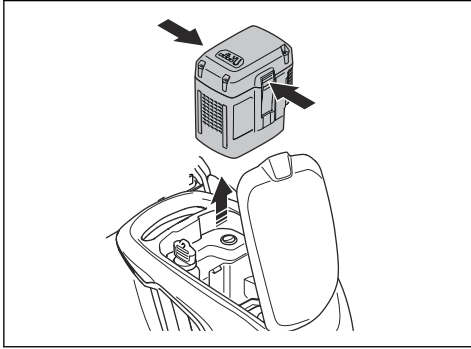
1. Slipp motorbrems håndtaket for å stoppe motoren.



2. Åpne batteridekselet og vri tenningsnøkkelen til 0.



3. Når du skal ta ut batteriet, trykker du på de to utløserknappene og trekker ut batteriet.



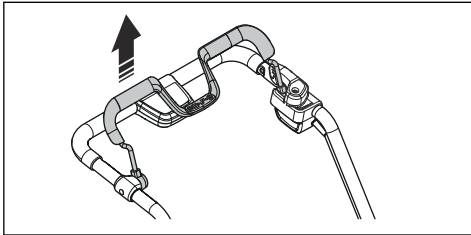
4. Lad batteriet hvis nivået er lavt. Hvis du vil ha mer informasjon, kan du se *Slik lader du batteriet på side 448*.

## Slik stopper du produktet (LC 347iVX, LC 353iVX)

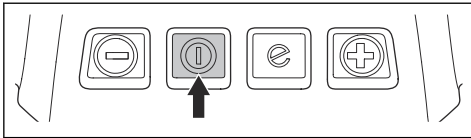


**ADVARSEL:** Vri tenningsnøkkelen til 0 før du slipper produktet ut av syne.

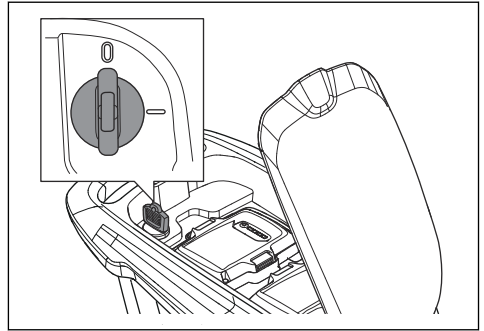
1. Slipp motorbremseshåndtaket for å stoppe motoren.



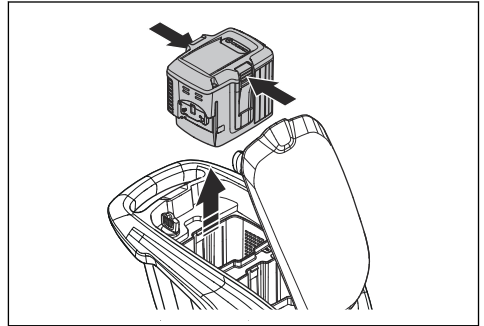
2. Trykk på PÅ/AV-knappen på kontrollpanelet. Alle LED-lamper og -symboler på displayet slukkes.



3. Åpne batteridekselet og vri tenningsnøkkelen til 0.



4. Når du skal ta ut batteriet, trykker du på de to utløserknappene og trekker ut batteriet.



5. Lad batteriet hvis nivået er lavt. Hvis du vil ha mer informasjon, kan du se *Slik lader du batteriet på side 448*.

**Merk:** Produktet deaktiveres automatisk hvis du ikke bruker det på noen minutter. Se *Slik starter du produktet (LC 347iVX, LC 353iVX) på side 449* for informasjon om hvordan du starter produktet igjen.

## Slik får du et godt resultat

- Bruk alltid en godt slipt kniv. En sløv kniv gir ujevnt resultat, og gressets klippeoverflate blir gul. En skarp kniv bruker også mindre energi enn en sløv kniv.
- Ikke klipp mer enn 1/3 av lengden på gresset. Klipp først med klippehøyden stilt høyt. Undersøk resultatet, og senk klippehøyden til det aktuelle nivået. Hvis gresset er veldig langt, kjører du sakte og klipper to ganger om nødvendig.
- Klipp i forskjellige retninger hver gang, for å unngå striper i plenen.
- Hold klippedekselet rent. Oppsamling av gress og smuss på innsiden av klippedekselet kan gi et dårligere klipperesultat. Se *Slik rengjør du produktet på side 452*.

## Slik klipper du gresset uten oppsamleren eller finfordelingspluggen festet

- Løft opp det bakre dekselet, og ta av gressoppsamleren.

- Hvis en finfordelingsplugg og en finfordelingskniv er festet, tar du dem av.
- Lukk bakdekselet før du bruker produktet.

Når du bruker produktet, tømmes det klypte gresset under bakdekselet.

## Vedlikehold

### Innledning



**ADVARSEL:** Før du utfører vedlikeholdsarbeid, må du lese og forstå kapittelet om sikkerhet.

For alt vedlikehold og reparasjonsarbeid på produktet er det nødvendig med spesiell opplæring. Vi garanterer fagmessig reparasjon og service. Hvis forhandleren ikke er et serviceverksted, må du snakke med dem for å få informasjon om nærmeste serviceverksted.

Hvis du vil ha mer detaljert informasjon, kan du se [www.husqvarna.com](http://www.husqvarna.com).

### Vedlikeholdsskjema

Vedlikeholdsintervallene er beregnet med utgangspunkt i daglig bruk av produktet. Intervallene kan endres hvis produktet ikke brukes daglig.

For vedlikehold merket med \* kan du se instruksjonene i *Sikkerhet på side 439*.

	Hver bruk	Månedlig	Hver sesong
Utfør en generell inspeksjon.	X		
Rengjør produktet.	X		
Kontroller startsperran*.	X		
Pass på at sikkerhetsutstyret på produktet ikke er defekt*.	X		
Kontroller skjærestyret.	X		
Kontroller klippedekselet*.	X		
Kontroller motorbremsåndtaket*.	X		
Kontroller at PÅ/AV-knappen fungerer på riktig måte og ikke er defekt.	X		
Kontroller batteriet for skader.	X		
Kontroller batteriets ladenivå.	X		
Kontroller at utløserknappene på batteriet fungerer riktig og at batteriet låses fast i produktet.	X		
Undersøk batteriladeren for skader, og sørg for at den kan fungerer på riktig måte.		X	
Undersøk forbindelsene mellom batteriet og produktet. Undersøk også forbindelsen mellom batteriet og batteriladeren.			X

### Slik utfører du en generell inspeksjon

- Kontroller at mutrene og skruene på produktet er trukket til.
- Sørg for at kablene på produktet ikke er i en posisjon der de kan bli skadet.

### Slik rengjør du produktet

- Rengjør plastdeler med en tørr, ren klut.
- Ikke bruk vann til å rengjøre produktet. Vann kan komme inn i batteriet eller motoren og forårsake kortslutning eller skade på produktet.
- Produktet må ikke rengjøres med høytrykksspyler.
- Ikke spyl vann direkte på motoren.



- Bruk en børste for å fjerne løv, gress og smuss.

## Slik rengjør du batteriet og batteriladeren



**ADVARSEL:** Ikke rengjør batteriet eller batteriladeren med vann.

- Kontroller at batteriet og batteriladeren er rene og tørre før du setter batteriet i batteriladeren.
- Rengjør batteriklemmene med trykkluft, eller bruk en myk og tørr klut.
- Rengjør overflatene på batteriet og batteriladeren med en myk og tørr klut.

## Slik kontrollerer du skjæreutstyret



**ADVARSEL:** Når du skal hindre utilsiktet start, vrir du tenningsnøkkelen til 0, tar ut batteriet og venter i minst fem sekunder.



**ADVARSEL:** Bruk vernehansker når du utfører vedlikehold på skjæreutstyret. Kniven er svært skarp, og det er lett å kutte seg.

1. Kontroller skjæreutstyret med henblikk på skader og sprekkdannelse. Bytt alltid ut skadet skjæreutstyr.
2. Sjekk om kniven er skadet eller sløv.

**Merk:** Kniven må balanseres etter at den er slipt. La et servicesenter slippe, skifte og balansere kniven. Hvis du treffer en hindring som fører til at produktet stopper, må du skifte ut den skadde kniven. La serviceverkstedet vurdere om kniven kan slipes eller om den må skiftes ut.

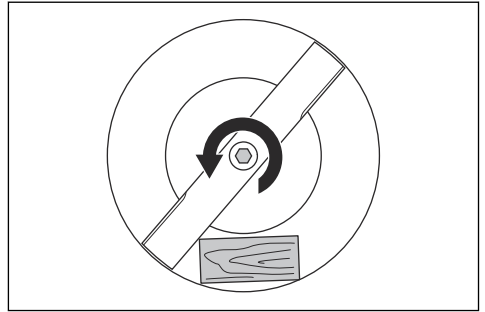
## Slik skifter du ut kniven

Se *Tekniske data på side 456* for informasjon om riktig type skjæreblad.

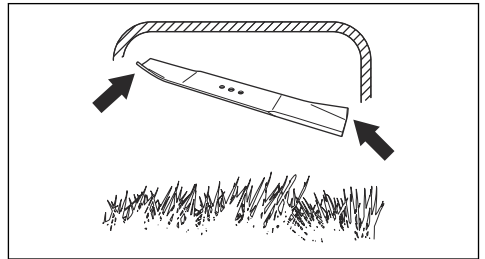


**ADVARSEL:** Lås skjærebladet med en trekloss for å hindre skade på fingrene når du skifter det. Skjærebladet kan flyttes når motoren er av. Fingre kan komme i klem mellom bladet og ikke-bevegelige deler.

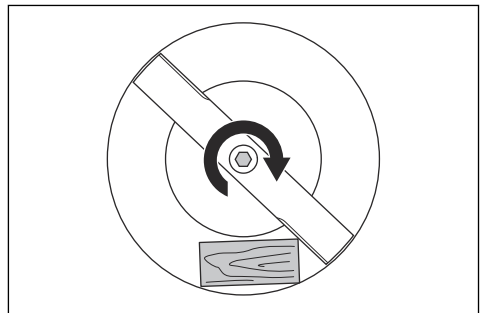
1. Lås kniven med en trekloss.



2. Fjern knivbolten.
3. Fjern kniven.
4. Undersøk knivstøtten og knivbolten for å se om det finnes skader.
5. Undersøk motorakselen for å forsikre deg om at den ikke er bøyd.
6. Når du fester den nye kniven, må du peke de vinklede endene av kniven i retning av klippedekselet.



7. Kontroller at kniven er innrettet med midten av motorakselen.
8. Lås kniven med en trekloss. Fest sprengskiven, og trekk til bolten og skiven med et moment på 23–28 Nm.



9. Trekk kniven rundt for hånd for å kontrollere at den roterer fritt.



**ADVARSEL:** Bruk-kraftige arbeidshansker. Kniven er svært skarp, og det er lett å skjære seg.

10. Start produktet for å teste kniven. Hvis kniven ikke er riktig festet, vil produktet vibrere, eller klipperesultatet vil ikke bli bra nok.

## Feilsøking

### Batteri

LED-indikator på batteriet	Årsak	Løsning
Den grønne LED-lampen blinker.	Batterispenningen er lav.	Lad batteriet. Se <i>Slik lader du batteriet på side 448</i> .
LED-feillampen blinker.	Batteriet er svakt.	Lad batteriet. Se <i>Slik lader du batteriet på side 448</i> .
	Temperaturen i arbeidsmiljøet er for høy eller for lav.	Bruk batteriet i temperaturer mellom 5 og 40 °C.
	Overspenning	Kontroller at strømtilførselen er den samme som er angitt på typeskiltet på produktet. Fjern batteriet fra batteriladeren. Vent i fem sekunder, og prøv å lade batteriet igjen. Hvis problemet vedvarer, kontakter du et autorisert serviceverksted.
LED-feillampen er tent.	For stor forskjell mellom cellene (1 V).	Ta kontakt med et godkjent serviceverksted.

### Batterilader

LED-indikator på batteriladeren.	Årsak	Løsning
LED-feillampen blinker.	Temperaturen i arbeidsmiljøet er for høy eller for lav.	Bruk batteriladeren i temperaturer mellom 5 og 40 °C.
LED-feillampen er tent.		Ta kontakt med et godkjent serviceverksted.

### Gressklipper

Varsellampen (feilindikatoren) er plassert under batterilokket ((LC 247i)) eller på kontrollpanelet ((LC 347iVX, LC 353iVX)).

Problem	Feilindikator (antall lysblink)	Årsak	Løsning
LED-feilindikatoren blinker. Produktet går ikke som det skal.	3	Kniven er blokkert.	Vri tenningsnøkkelen til 0 for å forhindre utilsiktet start. Fjern batteriet, og vent i minst 5 sekunder. Fjern mulige hindringer, og pass på at kniven kan rotere fritt. Hvis problemet vedvarer, kontakter du et autorisert serviceverksted.
	5	Motorurtallet faller for mye, og motoren stopper.	Øk klippehøyden. Se <i>Slik regulerer du klippehøyden på side 447</i> .
	6 <sup>69</sup>	Hjulene eller transmisjonen er blokkert.	Vri tenningsnøkkelen til 0 for å forhindre utilsiktet start. Fjern batteriet, og vent i minst 5 sekunder. Fjern mulige hindringer, og sørg for at hjulene kan rotere fritt. Hvis problemet vedvarer, kontakter du et autorisert serviceverksted.
	10	Motorstyringen er for varm.	Stopp motoren, og vent til den er avkjølt.
LED-feilindikatoren blinker. Produktet stopper.	0	Batterikontaktfeil	Undersøk batterikontakten.
	3	Det er overbelastning i motoren.	Øk klippehøyden. Se <i>Slik regulerer du klippehøyden på side 447</i> .
	8	Batteriet er svakt.	Lad batteriet. Se <i>Slik lader du batteriet på side 448</i> .
	9	Batterifeil eller ingen signaler fra batteriet	Sett batteriet inn i produktet på riktig måte, og undersøk batterikontakten. Hvis LED-feillampen på batteriet blinker, Se <i>Batteri på side 454</i> .
	12	Feil startprosedyre Motorbremsehåndtaket er aktivert før motoren starter.	Løsne motorbremsehåndtaket, og vent i ca. 5 sekunder. Skyv motorbremsehåndtaket ned igjen for å starte produktet.
Andre feil.	Hvis det oppstår andre feil, må du vri tenningsnøkkelen til 0, ta ut batteriet, og ta kontakt med et godkjent serviceverksted.		

## Transport, oppbevaring og avhending

### Innledning

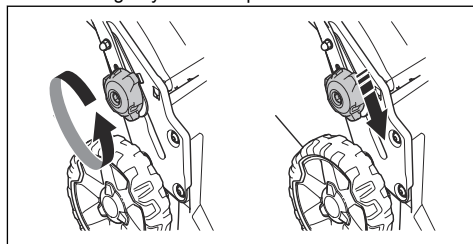


**ADVARSEL:** Når du skal hindre utilsiktet start ved transport, vrir du tenningsnøkkelen til 0, tar ut batteriet og venter i minst fem sekunder.

### Slik setter du produktet i transportstilling

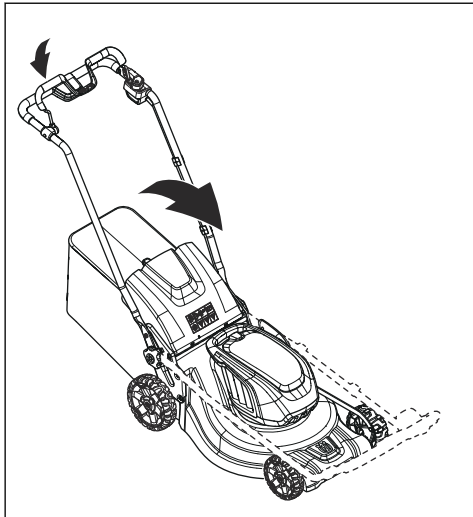
1. Løsne de nedre knottene.

2. Flytt knottene til den nedre enden av sporene på venstre og høyre side av produktet.



<sup>69</sup> LC 347iVX, LC353iVX

### 3. Vipp styret forover.



### 4. Tøm oppsamleren.

## Transport

- Loven om farlige varer gjelder de medfølgende Li-ion-batteriene.
- For kommersiell transport må spesielle krav på emballasje og etiketter følges.
- Sørg for at du overholder lovene om farlig materiale når du klargjør produktet for transport. Lokale forskrifter kan gjelde.
- Ta alltid ut batteriet før transport.
- Sett teip på batterikontaktene, og forsikre deg om at batteriet ikke kan bevege seg rundt under transport.
- Sikre produktet under transport.

## Oppbevaring

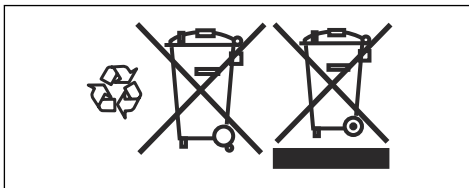
- La produktet avkjøles før du setter det til oppbevaring.
- Ta alltid ut batteriet når du skal oppbevare produktet.
- For å hindre ulykker må du sikre at batteriet ikke er koblet til produktet under oppbevaring.
- Oppbevar batteriladeren på et innelukket og tørt sted.
- Hold batteriet og laderen på et tørt sted der det ikke er fukt eller frost.

- Koble batteriet fra batteriladeren under oppbevaring.
- Batteriet må ikke oppbevares der det kan forekomme statisk elektrisitet. Ikke oppbevar batteriet i en metallkasse.
- Oppbevar produktet på et sted der omgivelsestemperaturen er mellom  $-10\text{ }^{\circ}\text{C}$  og  $40\text{ }^{\circ}\text{C}$ .
- Oppbevar batteriet et sted omgivelsestemperaturen er mellom  $5$  og  $25\text{ }^{\circ}\text{C}$  og borte fra sollys.
- Oppbevar batteriladeren et sted omgivelsestemperaturen er mellom  $5$  og  $45\text{ }^{\circ}\text{C}$  og borte fra sollys.
- Kontroller at batteriet er ladet til 30–50 % før du setter det til oppbevaring i lange perioder.
- Oppbevar produktet, batteriet og batteriladeren i et låsbart område, utilgjengelige for barn og uautoriserte personer.
- Rengjør produktet, og kontroller at gressoppsamleren er tom.
- Utfør vedlikeholdsprosedyrene som er beskrevet i denne bruksanvisningen. Se *Vedlikehold på side 452*.
- Utfør en fullstendig service før du setter produktet til oppbevaring i lang tid.

## Avhending

Symbolene på produktet eller produktemballasjen indikerer at produktet ikke skal håndteres som husholdningsavfall. Produktet skal innleveres til et gjenvinningsanlegg som gjenvinner elektrisk og elektronisk utstyr.

Ved å sikre at produktet håndteres på riktig måte, kan du bidra til å motvirke potensielt negative virkninger på miljø og mennesker, som kan oppstå som følge av at produktet ikke avfallshåndteres på riktig måte. Kontakt det lokale renovasjonsvesenet eller forhandleren der du kjøpte produktet hvis du ønsker mer detaljert informasjon.



## Tekniske data

### Tekniske data

	LC 247i	LC 347IVX	LC 353IVX
Klippemotor			

	LC 247i	LC 347iVX	LC 353iVX
Motorstype	BLDC (børsteløs) 36 V	BLDC (børsteløs) 36 V	BLDC (børsteløs) 36 V
Motorhastighet – SavE, turtall	2600/min	2600/min	2600/min
Motorhastighet – nominell, turtall	3000/min	3000/min	3000/min
Motorhastighet – høybelastning, turtall	3500/min	3500/min	3500/min
Motoreffekt – maks. kW	0,96	0,96	1,05
Motoreffekt – nominell, kW	0,75	0,75	0,9
<b>Drivmotor</b>			
Motoreffekt – nominell, kW	Ikke tilgjengelig	0,25	0,25
Selvgående hastighet, km/t	Ikke tilgjengelig	3,0–4,5	3,0–4,5
Nivåer for hastighetsjustering	Ikke tilgjengelig	4	4
<b>Vekt</b>			
Vekt uten pose (uten batteri), kg	24,5	26	28
Vekt med pose (inkl. 2 stk. BLi30), kg	30,5	32,0	34,5
<b>Batteri</b>			
Batteritype	Husqvarna-batteriserien		
<b>Batteriets driftstid</b>			
Batteriets driftstid, min., (frikjøring) med SavE aktivert, med ett Husqvarna 7,7 Ah-batteri (BLi30)	62	62	46
Batteriets driftstid, min., (frikjøring) med standardmodus aktivert, med ett Husqvarna 7,7 Ah-batteri (BLi30)	43	43	28
<b>Støyutslipp</b> <sup>70</sup>			
Lydeffektnivå, målt dB (A)	94	94	97
Lydeffektnivå, garantert L <sub>WA</sub> dB (A)	95	95	98
<b>Lydnivåer</b> <sup>71</sup>			
Lydtrykknivå ved brukerens øre, dB (A)	82	82	86
<b>Vibrasjonsnivåer</b> <sup>72</sup>			
Styre, m/s <sup>2</sup>	0,42	0,42	2,64
<b>Klippeutstyr</b>			
Klippehøyde, mm	20–75 mm	20–75 mm	20–75 mm
Klippebredde, cm	47	47	53

<sup>70</sup> Utslipp av støy til omgivelsene målt som lydeffekt (L<sub>WA</sub>) samsvarer med EF-direktiv 2000/14/EF.

<sup>71</sup> Rapporterte data for lydtrykknivå har en usikkerhetsfaktor (K) på 1,5 dB (A).

<sup>72</sup> Rapporterte data for vibrasjonsnivåer har en usikkerhetsfaktor (K) på 1,5 m/s<sup>2</sup>. Det oppgitte totale vibrasjonsnivået er målt i samsvar med EN 62841-4-3, Vedlegg I, og kan brukes til å sammenligne en maskin med en annen og i en innledende vurdering av eksponering.

	LC 247i	LC 347iVX	LC 353iVX
Kniv, standard	Oppsamling 5905934-10	Oppsamling 5905934-10	Oppsamling 5940757-10
Knivtilbehør	Mulch 5907010-10	Mulch 5907010-10	Mulch 5950072-10
Gressoppsamlerkapasitet, liter	55	55	60

Informasjon om radiofrekvens for Bluetooth®	LC 247i	LC 347iVX	LC 353iVX
Frekvensbånd, GHz	Ikke tilgjengelig	2,4–2,4835	2,4–2,4835
Utgangseffekt, maks. dBm	Ikke tilgjengelig	4	4

Godkjente batterier	Type	Batterikapasitet, Ah	Spenning, V	Vekt, lb/kg
BLi20	Litium-ion	4,0	36	2,6/1,2
BLi30	Litium-ion	7,7	36	4,2/1,9

Godkjente ladere for de spesifiserte batteriene, BLi	Inngangsspenning, V	Frekvens, Hz	Effekt, W
QC80	100–240	50–60	80
40-C80	100–240	50-60	68,8
QC250	100–240	50–60	250

# Samsvarserklæring

## EU-samsvarserklæring

Vi, **Husqvarna AB**, SE-561 82 Huskvarna, Sverige, tlf.:  
+46 36 146500, erklærer på eget ansvar at produktet:

<b>Beskrivelse</b>	Gressklipper
<b>Merke</b>	Husqvarna
<b>Type/modell</b>	LC 247i
<b>ID</b>	Serienumre datert 2021 og senere

fullstendig overholder følgende EU-direktiver og  
-forskrifter:

Direktiv/regulering	Beskrivelse
2006/42/EF	«angående maskiner»
2014/30/EU	«angående elektromagnetisk kompatibilitet»
2000/14/EF	«angående utslipp av støy til omgivelsene»
2011/65/EU	«om begrensning av bruk av visse farlige stoffer i elektrisk og elektronisk utstyr»

og at følgende standarder og/eller tekniske  
spesifikasjoner er anvendt: EN 62841-1:2015+AC:2015,  
EN 62841-4-3:2021+A11:2021, EN ISO 12100:2010,  
EN 55014-1:2017+A11:2020, EN 55014-2:2015, EN IEC  
63000:2018.

Kontrollorgan: 0404, RISE SMP Svensk Maskinprovning  
AB, Box 7035, SE-750 07 Uppsala har bekreftet  
samsvar med rådsdirektivet 2000/14/EF, prosedyre for  
overensstemmelsesvurdering: Vedlegg VI.

For informasjon som gjelder støyutslipp, kan du se  
*Tekniske data på side 456.*

Husqvarna, 2021-12-01



Claes Losdal, Utviklingssjef/hageproduktansvarlig,  
Husqvarna AB

Ansvarlig for teknisk dokumentasjon



## EU-samsvarserklæring

Vi, **Husqvarna AB**, SE-561 82 Huskvarna, Sverige, tlf.:  
+46 36 146500, erklærer på eget ansvar at produktet:

<b>Beskrivelse</b>	Gressklipper
<b>Merke</b>	Husqvarna
<b>Type/modell</b>	LC 347iVX, LC 353iVX
<b>ID</b>	Serienumre datert 2021-12-01 og senere

fullstendig overholder følgende EU-direktiver og  
-forskrifter:

Direktiv/regulering	Beskrivelse
2006/42/EF	«angående maskiner»
2014/53/EU	«angående radioutstyr»
2000/14/EF	«angående utslipp av støy til omgivelsene»
2011/65/EU	«om begrensning av bruk av visse farlige stoffer i elektrisk og elektronisk utstyr»

og at følgende standarder og/eller tekniske  
spesifikasjoner er anvendt: EN 62841-1:2015+AC:2015,  
EN 62841-4-3:2021+A11:2021, EN ISO 12100:2010,  
EN 55014-1:2017+A11:2020, EN 55014-2:2015, EN IEC  
63000:2018, EN ETSI 300 328 v.2.2.2, EN 50663: 2017,  
ETSI EN 301 489-1 V2.2.3, ETSI EN 301 489-17 V3.2.4.

Kontrollorgan: 0404, RISE SMP Svensk Maskinprovning  
AB, Box 7035, SE-750 07 Uppsala har bekreftet  
samsvar med rådsdirektivet 2000/14/EF, prosedyre for  
overensstemmelsesvurdering: Vedlegg VI.

For informasjon som gjelder støyutslipp, kan du se  
*Tekniske data på side 456.*

Huskvarna, 2021-12-01

Claes Losdal, Utviklingssjef/hageproduktansvarlig,  
Husqvarna AB

Ansvarlig for teknisk dokumentasjon



---

## Registrerte varemerker

---

*Bluetooth*<sup>®</sup>-ordmerket og -logoene er registrerte  
varemerker for *Bluetooth SIG, inc.*, og bruk av slike  
merker fra Husqvarna skjer under lisens.



---

## SPIS TREŚCI

---

Wstęp.....	461	Rozwiązywanie problemów.....	480
Bezpieczeństwo.....	464	Transport, przechowywanie i utylizacja.....	482
Montaż.....	470	Dane techniczne.....	483
Przeznaczenie.....	471	Deklaracja zgodności.....	486
Przegląd.....	477	Zarejestrowane znaki handlowe.....	487

---

## Wstęp

---

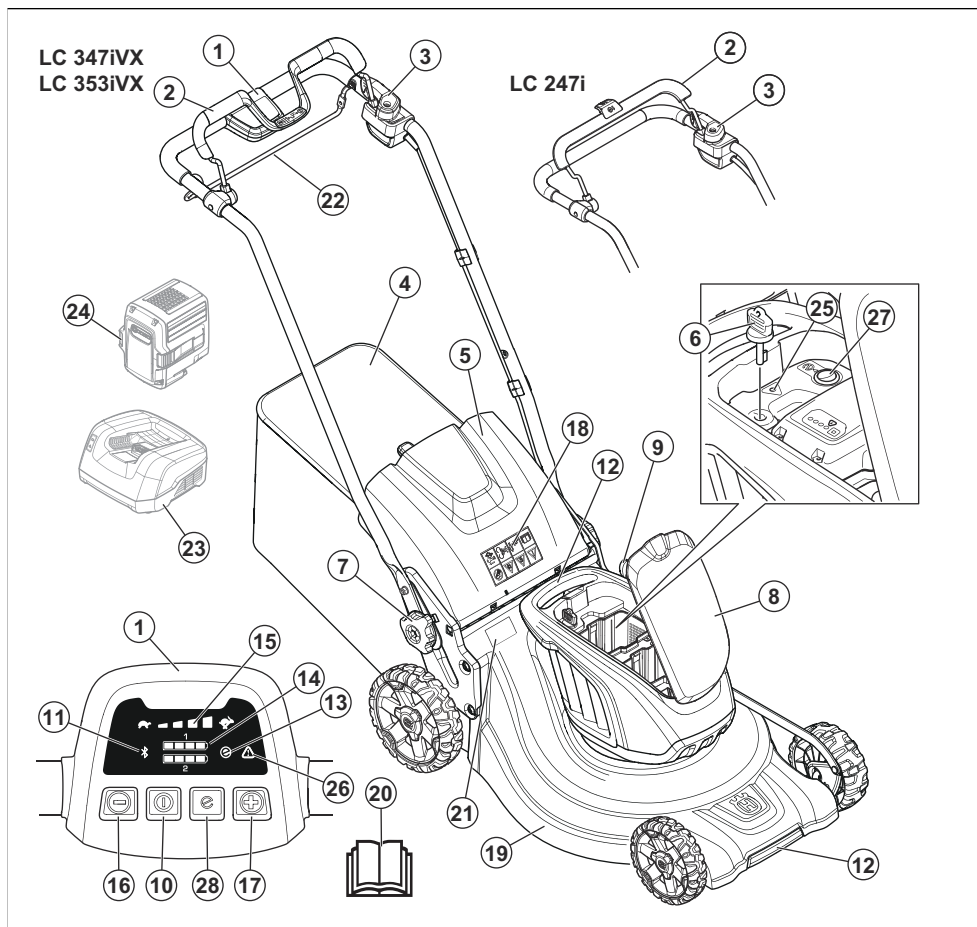
### Opis produktu

Produkt jest rotacyjną kosiarką obsługiwaną przez operatora. Trawa zbierana jest do pojemnika na trawę. Zdjąć pojemnik na trawę, aby usunąć z niego trawę przez tylny otwór wylotowy. Zamontować zestaw mulczujący (akcesorium), aby pociąć trawę na nawóz.

### Przeznaczenie

Produkt służy fo cięcia trawy. Nie używać produktu do innych zadań.

## Przegląd produktu



1. Panel sterowania (LC 347iVX, LC 353iVX)
2. Uchwyt hamulca silnika
3. Zabezpieczenie przed niepożądanym uruchomieniem
4. Pojemnik na trawę
5. Pokrywa tylna
6. Kluczyk bezpieczeństwa
7. Pokrętko uchwytu
8. Pokrywa akumulatora
9. Regulator wysokości koszenia
10. Przycisk WŁ./WYŁ.
11. Wskaźnik bezprzewodowej technologii *Bluetooth*<sup>®</sup>
12. Uchwyty do podnoszenia
13. Wskaźnik SavE
14. Wskaźnik akumulatora
15. Wskaźnik poziomu prędkości (LC 347iVX, LC 353iVX)
16. Przycisk zmniejszania prędkości (LC 347iVX, LC 353iVX)
17. Przycisk zwiększania prędkości (LC 347iVX, LC 353iVX)
18. Symbole
19. Osłona modułu tnącego
20. Instrukcja obsługi
21. Tabliczka znamionowa
22. Dźwignia napędu (LC 347iVX, LC 353iVX)
23. Ładowarka akumulatora (akcesorium)
24. Akumulator (akcesorium)
25. Diody LED błędów (LC 247i)
26. Diody LED błędów (LC 347iVX, LC 353iVX)

27. Przycisk Save (LC 247i)  
 28. Przycisk Save (LC 347iVX, LC 353iVX)

określony w *Dane techniczne na stronie 483* oraz na etykiecie.

## Symbole znajdujące się na produkcie



OSTRZEŻENIE



Przeczytać instrukcje.



OSTRZEŻENIE – uważać na odrzucane przedmioty.



Osoby postronne powinny zachować odpowiednią odległość.



OSTRZEŻENIE – nie zbliżać rąk i stóp do noży.



OSTRZEŻENIE – przed przystąpieniem do konserwacji odłączyć akumulator.



Tego produktu ani opakowania nie można traktować jak odpadów domowych. Należy poddawać je recyklingowi w zatwierdzonym punkcie zbiórki sprzętu elektrycznego i elektronicznego.



Produkt jest zgodny z odpowiednimi Dyrektywami WE.



Etykieta emisji hałasu do środowiska zgodnie z dyrektywami i przepisami UE i Wielkiej Brytanii. Gwarantowany poziom mocy akustycznej urządzenia jest

## IPX1

Produkt jest zabezpieczony przed przeciekaniem.



Zwolnić uchwyt hamulca silnika, aby zatrzymać.



Kod do przeskanowania

**Uwaga:** Pozostałe symbole/naklejki samoprzylepne umieszczone na produkcie dotyczą wymogów związanych z certyfikatami w niektórych krajach.

## Etykieta znajdująca się na produkcie



NIEBEZPIECZEŃSTWO – nie zbliżać rąk ani stóp.

## Odpowiedzialność za produkt

Zgodnie z przepisami dotyczącymi odpowiedzialności za produkt nie ponosimy odpowiedzialności za szkody spowodowane przez nasz produkt, jeśli:

- produkt jest nieprawidłowo naprawiany.
- produkt jest naprawiany przy użyciu części nie pochodzących od producenta lub niezatwierdzonych przez producenta.
- produkt jest wyposażony w akcesoria nie pochodzące od producenta lub niezatwierdzone przez producenta.
- produkt nie jest naprawiany w autoryzowanym centrum serwisowym lub przez autoryzowaną placówkę.

# Bezpieczeństwo

## Definicje dotyczące bezpieczeństwa

Ostrzeżenia, uwagi i informacje są używane do zwrócenia uwagi na szczególnie ważne sekcje instrukcji obsługi.



**OSTRZEŻENIE:** Jest używane, gdy istnieje ryzyko poważnych obrażeń, śmierci operatora lub uszkodzenia otoczenia w wyniku nieprzestrzegania instrukcji obsługi.



**UWAGA:** Jest używane, gdy istnieje ryzyko uszkodzenia materiałów lub urządzenia w wyniku nieprzestrzegania instrukcji obsługi.

**Uwaga:** Stosuje się, aby przekazać więcej informacji, które są przydatne w danej sytuacji.

## Ostrzeżenia dotyczące bezpieczeństwa ogólnego produktu



**OSTRZEŻENIE:** Zapoznać się ze wszystkimi ostrzeżeniami dotyczącymi bezpieczeństwa, instrukcjami, ilustracjami i specyfikacjami dołączonymi do tego produktu. Niezastosowanie się do wszystkich poniższych instrukcji może spowodować porażenie prądem, pożar i/lub poważne obrażenia.

Zachować wszystkie ostrzeżenia i instrukcje do korzystania z nich w przyszłości. Termin „produkt” w ostrzeżeniach dotyczy Twojego produktu zasilanego prądem z sieci elektrycznej (z przewodem) lub produktu zasilanego prądem z akumulatora (bezprowodowego).

## Bezpieczeństwo miejsca pracy

- **Miejsce pracy powinno być czyste i dobrze oświetlone.** Obszary zaciemnione i takie, w których panuje nieład, mogą powodować wypadki.
- **Nie należy używać produktu w atmosferze wybuchowej, takiej jak w przypadku obecności łatwopalnych cieczy, gazów lub pyłów.** Produkt tworzy iskry, które mogą zapalić pył lub opary.
- **Podczas pracy z użyciem produktu należy uważać, aby dzieci i osoby postronne nie zbliżyły się do miejsca pracy.** W wyniku utraty uwagi możesz stracić kontrolę nad urządzeniem.

## Bezpieczeństwo elektryczne

- **Wtyczki produktu muszą pasować do gniazdka.** Zabrania się dokonywania przeróbek wtyczki.

**Nie wolno stosować adapterów wtyczek produktów z uziemieniem.** Nieprzerobione wtyczki i dopasowane gniazdka pozwalają zredukować ryzyko porażenia prądem.

- **Należy unikać kontaktu ciała z powierzchniami uziemionymi, takimi jak rury, grzejniki, kuchenki i lodówki.** Uziemienie ciała powoduje zwiększenie ryzyka porażenia prądem.
- **Nie wystawiać produktu na działanie deszczu ani wilgoci.** Przedostanie się wody do produktu zwiększa ryzyko porażenia prądem.
- **Nie niszczyć przewodu. Nie wolno używać przewodu do przenoszenia, ciągnięcia lub odłączania produktu. Przewód należy utrzymywać z dala od źródeł ciepła, olejów, ostrych krawędzi lub ruchomych części.** Uszkodzone lub splecione kable zwiększają zagrożenie porażenia prądem.
- **Używając produktu na zewnątrz budynków, należy stosować przedłużacz przystosowany do użytku zewnętrznego.** Stosowanie przewodu przeznaczonego do użytku na zewnątrz budynków pozwala ograniczyć ryzyko porażenia prądem.
- **Jeśli produkt musi być używany w warunkach dużej wilgotności, stosować zasilanie chronione wyłącznikiem różnicowo-prądowym (RCD).** Korzystanie z wyłącznika różnicowo-prądowego zmniejsza ryzyko porażenia prądem.

## Bezpieczeństwo osób

- **Podczas używania produktu należy zachować skupienie, obserwować wykonywane czynności i kierować się zdrowym rozsądkiem. Produktu nie wolno używać w przypadku zmęczenia ani pod wpływem narkotyków, alkoholu lub leków.** Chwila nieuwagi podczas obsługi produktu może doprowadzić do poważnych obrażeń.
- **Stosować środki ochrony osobistej. Należy zawsze stosować środki ochrony wzroku.** Sprzęt ochronny, taki jak maski, antypoślizgowe buty robocze, kask lub środki ochrony słuchu stosowane w odpowiednich warunkach pozwalają obniżyć ryzyko odniesienia obrażeń.
- **Należy zapobiec niezamierzonemu rozruchowi. Przed podłączeniem do źródła zasilania i/lub akumulatora, podniesieniem lub przeniesieniem produktu należy upewnić się, że przełącznik znajduje się w położeniu wyłączenia.** Przenoszenie produktu z palcem na przełączniku lub włączenie zasilania produktu, który ma przełącznik w pozycji włączonej, sprzyja wypadkom.
- **Przed włączeniem produktu należy usunąć wszelkie klucze i inne narzędzia.** Klucze lub inne narzędzia, pozostawione przy obracającej się części produktu, mogą spowodować obrażenia ciała.
- **Nie należy przeceniać swoich możliwości. Stać na stabilnym podłożu i zachować równowagę.**

Pozwoli to zachować lepszą kontrolę nad produktem w nieoczekiwanych sytuacjach.

- **Należy odpowiednio się ubierać. Nie należy zakładać luźnych ubrań i nosić biżuterii. Włosy oraz ubranie należy trzymać z dala od elementów ruchomych.** Luźna odzież, biżuteria lub długie włosy mogą zostać wciągnięte przez ruchome części.
- **Jeśli dołączone jest wyposażenie służące do podłączenia urządzeń odprowadzających i gromadzących pył, należy zadbać o jego podłączenie i właściwe używanie.** Stosowanie urządzeń odprowadzających pył może ograniczyć zagrożenia związane z obecnością pyłu.
- **Częste używanie produktu nie zwalnia operatora z obowiązku zachowania czujności i przestrzegania zasad bezpieczeństwa dotyczących używania produktu.** Nierozważne działanie może doprowadzić do poważnych obrażeń w ułamku sekundy.

## **Eksploatacja i konserwacja produktu**

- **Nie wymuszać większych osiągnięć produktu. Używać produktu dopasowanego do zastosowania.** Właściwy produkt pozwoli lepiej i bezpieczniej wykonać pracę z przewidzianą prędkością.
- **Nie wolno używać produktu, jeśli nie można go włączyć lub wyłączyć przy użyciu przełącznika.** Jeśli produkt nie może być kontrolowany za pomocą przełącznika, jest on niebezpieczny i musi zostać oddany do naprawy.
- **Przed dokonaniem jakichkolwiek regulacji, zmianą akcesoriów lub pozostawieniem produktu na czas przechowywania należy odłączyć wtyczkę od źródła zasilania i/lub, jeśli jest to możliwe, wymontować akumulator.** Takie działanie zapobiegawcze redukuje ryzyko przypadkowego uruchomienia produktu.
- **Nieużywany produkt należy przechowywać w miejscu niedostępnym dla dzieci. Nie wolno pozwalać, aby produkt obsługiwały osoby nie zaznajomione z produktem lub niniejszymi instrukcjami.** W rękach nieprzeszkolonych użytkowników produkty mogą być niebezpieczne.
- **Konserwować produkty i akcesoria. Produkt należy sprawdzać pod kątem niedopasowania ruchomych części, uszkodzenia elementów w innych nieprawidłowości, które mogą mieć wpływ na jego działanie. W przypadku uszkodzenia naprawić produkty przed jego ponownym użyciem.** Powodem wielu wypadków jest niewłaściwa konserwacja produktów.
- **Narzędzia tnące należy utrzymywać w stanie naostrzonym i czystym.** Właściwie konserwowane narzędzia tnące, z ostrymi krawędziami tnącymi dają mniejsze prawdopodobieństwo zacinania i łatwiej je kontrolować.
- **Produkty, oprzyrządowanie i końcówki itp. muszą być używane zgodnie z niniejszymi instrukcjami, biorąc pod uwagę warunki robocze oraz wykonywane zadanie.** Używanie produktu do zadań innych niż te, do których jest przeznaczony, może być niebezpieczne.

- **Utrzymywać uchwyty i powierzchnie do chwytania w stanie suchym, czystym oraz wolnym od smaru i oleju.** Śliskie uchwyty i powierzchnie do chwytania uniemożliwiają bezpieczną obsługę i kontrolę produktu w nieoczekiwanych sytuacjach.

## **Serwis**

- **Produkt może serwisować wyłącznie wykwalifikowany personel serwisowy przy użyciu identycznych części zamiennych.** Zapewni to bezpieczeństwo użytkownika produktu.
- **Pod żadnym pozorem nie należy serwisować uszkodzonych akumulatorów.** Akumulatory może serwisować wyłącznie producent lub autoryzowany serwis.

## **Użytkowanie i konserwacja narzędzia elektrycznego zasilanego akumulatorem**

- **Ładować jedynie za pomocą ładowarki wskazanej przez producenta.** Ładowarka przeznaczona do jednego rodzaju akumulatora może grozić pożarem w przypadku wykorzystania jej do ładowania innego rodzaju akumulatora.
- **Urządzeń należy używać wyłącznie w połączeniu z określonym rodzajem akumulatorów.** Użycie akumulatorów innego rodzaju może stworzyć zagrożenie obrażeniami ciała i pożarem.
- **Kiedy akumulator nie jest używany, należy przechowywać go z dala od innych metalowych przedmiotów, takich jak spinacze do papieru, monety, klucze, gwoździe i śruby oraz innych niewielkich metalowych przedmiotów, które mogłyby połączyć dwa zaciski akumulatora.** Spięcie zacisków akumulatora może spowodować oparzenia lub pożar.
- **W niewłaściwych warunkach z akumulatora może wypłynąć płyn. Należy unikać kontaktu z tym płynem. Jeżeli dojdzie do kontaktu, przemyć wodą. Jeśli dojdzie do kontaktu płynu z oczami, należy dodatkowo skorzystać z pomocy medycznej.** Płyn wydostający się z akumulatora może wywołać podrażnienia lub oparzenia.
- **Nie używać akumulatora ani narzędzia, jeśli są one uszkodzone lub zostały zmodyfikowane.** Uszkodzone lub zmodyfikowane akumulatory mogą charakteryzować się nieprzewidywalnymi właściwościami skutkującymi pożarem, eksplozją lub ryzykiem doznania obrażeń przez użytkownika.
- **Nie wystawiać akumulatora ani narzędzia na działanie ognia bądź nadmiernej temperatury.** Narażenie na pożar lub temperaturę przekraczającą 130°C (265°F) może spowodować wybuch.
- **Postępować zgodnie ze wszystkimi instrukcjami dotyczącymi ładowania i nie ładować akumulatora ani narzędzia w temperaturach wykraczających poza zakres określony w instrukcji.** Nieprawidłowe ładowanie lub ładowanie w temperaturach wykraczających poza dopuszczalny zakres może uszkodzić akumulator i zwiększyć ryzyko pożaru.

## Ostrzeżenia dotyczące bezpieczeństwa użytkownika kosiarki

- **Nie używać kosiarki w złych warunkach pogodowych, szczególnie jeśli istnieje ryzyko wystąpienia burzy.** Zmniejsza to ryzyko porażenia piorunem.
- **Dokładnie sprawdzić obszar, w którym ma być używana kosiarka, pod kątem występowania dzikich zwierząt.** Pracująca kosiarka jest niebezpieczna dla dzikich zwierząt.
- **Należy dokładnie sprawdzić miejsce, w którym będzie używana kosiarka, i usunąć wszelkie kamienie, patyki, druty, kości i inne przedmioty.** Wyrzucane przedmioty mogą spowodować obrażenia.
- **Przed użyciem kosiarki należy zawsze wzrokowo sprawdzić, czy noże, śruba noży i zespół noży nie są zużyte ani uszkodzone.** Zużyte lub uszkodzone części zwiększają ryzyko odniesienia obrażeń.
- **Przed użyciem sprawdzić przewód zasilający oraz przedłużacz pod kątem uszkodzeń lub zużycia. Nie używać kosiarki, jeśli przewód jest uszkodzony lub zużyty. Jeśli podczas pracy doszło do uszkodzenia lub nadmiernego zużycia przewodu, należy wyłączyć kosiarkę i nie dotykać przewodu przed odłączeniem go od źródła zasilania.** Uszkodzony przewód zasilający lub przedłużacz może spowodować porażenie prądem, pożar lub poważne obrażenia.
- **Regularnie sprawdzaj pojemnik na trawę pod kątem zużycia.** Zużyty lub uszkodzony pojemnik na trawę może zwiększyć ryzyko odniesienia obrażeń.
- **Oslony muszą być założone. Oslony muszą być sprawne i prawidłowo zamontowane.** Poluzowana, uszkodzona lub nieprawidłowo działająca osłona może spowodować obrażenia.
- **Utrzymujmyć wszelkie wloty powietrza chłodzącego w czystości.** Zablockowane wloty powietrza i zanieczyszczenia mogą spowodować przegrzanie lub wywołać pożar.
- **Podczas obsługi kosiarki należy zawsze nosić obuwie przeciwpoślizgowe i ochronne. Nie obsługiwać kosiarki boso lub w sandałach.** Zmniejsza to ryzyko obrażeń stóp w wyniku kontaktu z ruchomymi nożami.
- **Podczas używania kosiarki należy zawsze nosić długie spodnie.** Odsłonięta skóra jest bardziej narażona na obrażenia powodowane przez wyrzucane przedmioty.
- **Nie używać kosiarki do koszenia mokrej trawy. Należy iść, nie biec.** Zmniejsza to ryzyko poślizgnięcia się i upadku, a tym samym odniesienia obrażeń.
- **Nie wolno używać kosiarki na zbyt stromych zboczach.** Zmniejsza to ryzyko utraty kontroli, poślizgnięcia się i upadku, a tym samym odniesienia obrażeń.
- **Podczas pracy na pochyłościach należy zawsze stać na stabilnym podłożu i pracować w poprzek zbocza, a nie w górę lub w dół, a także zachować**

**szczególną ostrożność przy zmianie kierunku jazdy.** Zmniejsza to ryzyko utraty kontroli, poślizgnięcia się i upadku, a tym samym odniesienia obrażeń.

- **Należy zachować szczególną ostrożność przy wycofywaniu lub przyciąganiu kosiarki do siebie. Należy zawsze uważać na otoczenie.** Zmniejsza to ryzyko potknięcia się podczas pracy.
- **Trzymać przewód zasilający z dala od tarcz tnących.** Uszkodzony przewód zasilający może spowodować porażenie prądem, pożar lub poważne obrażenia.
- **W przypadku zaplątania się lub uszkodzenia przewodu należy wyłączyć produkt i wyjąć wtyczkę z gniazdka.** Zużyte lub uszkodzone przewody mogą zwiększyć zagrożenie porażenia prądem.
- **Nie wolno dotykać noży ani innych niebezpiecznych ruchomych części, gdy są w ruchu.** Zmniejsza to ryzyko odniesienia obrażeń przez ruchome części.
- **Na czas usuwania zakleszczonego materiału i serwisowania kosiarki należy upewnić się, że wszystkie przełączniki znajdują się w pozycji wyłączenia, a przewód zasilający jest odłączony.** Nieoczekiwane uruchomienie kosiarki może spowodować poważne obrażenia ciała.

### Wyłącznik różnicowo-prądowy

- Stosować wyłącznik różnicowo-prądowy o prądzie wyzwalającym nie większym niż 30 mA.

### Ogólne zasady bezpieczeństwa



**OSTRZEŻENIE:** Przed rozpoczęciem użytkowania produktu przeczytać następujące ostrzeżenia.

- Produkt ten może być niebezpieczny w przypadku jego nieprawidłowego użytkowania i niezachowania ostrożności. Nieprzestrzeganie instrukcji bezpieczeństwa może spowodować obrażenia ciała lub śmierć.
- Niniejszy produkt podczas pracy wytwarza pole elektromagnetyczne. W pewnych okolicznościach pole to może zakłócać pracę aktywnych lub pasywnych implantów medycznych. Przed użyciem tego produktu osoby z wszczepionym implantem medycznym powinny skonsultować się z lekarzem i producentem implantu w celu ograniczenia ryzyka poważnych lub śmiertelnych obrażeń.
- Zawsze zachowywać ostrożność i kierować się zdrowym rozsądkiem. Jeśli nie ma pewności, w jaki sposób należy obsługiwać ten produkt w konkretnej sytuacji, przed wznowieniem pracy należy porozmawiać z dealerem Husqvarna.
- Pamiętać o tym, że operator ponosi odpowiedzialność za wypadki z udziałem innych ludzi i ich własności.
- Utrzymywać produkt czystym. Upewnić się, że można łatwo odczytać oznaczenia i naklejki.
- Nie wolno pozwalać dzieciom ani osobom, które nie zapoznały się z niniejszymi instrukcjami obsługi,

na obsługiwanie urządzenia. Przepisy lokalne mogą narzucać ograniczenia dotyczące wieku operatora urządzenia.

- Należy zawsze kontrolować osobę o ograniczonych możliwościach fizycznych lub umysłowych podczas używania produktu. Zawsze musi jej towarzyszyć odpowiedzialna osoba dorosła.
- Osoba, która jest zmęczona, chora lub pod wpływem alkoholu, narkotyków lub lekarstw nie może obsługiwać urządzenia. Stany te mają negatywny wpływ na wzrok, uwagę, koordynację i osąd.
- Nie stosować uszkodzonego produktu.
- Nie wolno dokonywać w maszynie zmian stanowiących modyfikację jej oryginalnej wersji. Nie używać maszyny, jeżeli istnieje podejrzenie, że ktoś inny wprowadził w niej zmiany.

## Pracuj bezpiecznie



**OSTRZEŻENIE:** Przed rozpoczęciem użytkowania produktu przeczytać następujące ostrzeżenia.

- Używać maszyny wyłącznie do przycinania trawników. Nie jest dozwolone wykorzystanie maszyny do innych zadań.
- Stosować środki ochrony osobistej. Patrz *Środki ochrony osobistej na stronie 467*.
- Należy zawsze wiedzieć, jak szybko wyłączyć silnik w razie awarii.
- Nie używać urządzenia podczas deszczu ani w wilgotnym otoczeniu. Dostanie się wody do wnętrza urządzenia zwiększa ryzyko porażenia prądem.
- Nie należy obsługiwać maszyny, jeśli ostrze oraz wszystkie pokrywy nie zostały prawidłowo zamocowane. Nieprawidłowo zamocowane ostrze może się obluźować i spowodować obrażenia.
- Należy upewnić się, że ostrze nie uderza w żadne obiekty, takie jak kamienie czy korzenie. Może to spowodować uszkodzenie ostrza oraz wygięcie wału silnika. Zgięta oś powoduje silne wibracje oraz bardzo wysokie zagrożenie obluźowaniem ostrza.
- Jeśli ostrze uderzy w jakikolwiek obiekt lub jeśli wystąpią wibracje, należy natychmiast wyłączyć maszynę. Wyłącz silnik, przekręć kluczyk bezpieczeństwa do położenia „0” i wyjmij akumulator. Poczekać, aż ruchome części zatrzymają się. Należy sprawdzić maszynę pod kątem uszkodzeń. Dokręcić luźne części. Naprawić uszkodzenia i wymienić uszkodzone części. Wykonanie przeglądu należy zlecić autoryzowanemu warsztatowi obsługi technicznej.
- Nigdy nie należy na stałe przymocowywać uchwytu hamulca silnikowego do uchwytu podczas pracy silnika.
- Maszynę należy ustawić na stabilnej, płaskiej powierzchni i ją uruchomić. Należy upewnić się, że ostrza nie uderzają w podłoże lub inne przedmioty.

- Podczas obsługi maszyny zawsze należy stać za nią.
- Podczas obsługi maszyny należy upewnić się, że wszystkie koła dotykają podłoża oraz trzymać na kierownicy obie dionie. Nie zbliżać rąk i stóp do obracających się noży.
- Nie przechylać produktu podczas uruchamiania silnika ani podczas pracy produktu.
- Należy zachować ostrożność podczas ciągnięcia maszyny do tyłu.
- Nigdy nie należy podnosić maszyny przy włączonym silniku. Jeśli konieczne jest podniesienie urządzenia, należy najpierw wyłączyć silnik, przekręcić kluczyk bezpieczeństwa do położenia „0” i wyjąć akumulator.
- Nie należy poruszać się do tyłu podczas obsługi maszyny.
- Gdy zachodzi konieczność przechylenia produktu na czas transportu lub przed rozpoczęciem jazdy po obszarach bez trawy, np. po ścieżkach wykonanych ze żwiru, kamienia lub asfaltu, zatrzymać silnik.
- Nie należy biegać z maszyną przy włączonym silniku. Podczas obsługi maszyny zawsze należy poruszać się chodem.
- Przed zmianą wysokości koszenia należy wyłączyć silnik. Nie wolno przeprowadzać regulacji, gdy silnik pracuje.
- Nigdy nie należy pozostawiać maszyny poza zasięgiem wzroku przy włączonym silniku. Należy wyłączyć silnik i upewnić się, że narzędzia tnące nie obracają się.
- Drgania produktu podczas pracy mogą różnić się od wartości drgań deklarowanej w *Dane techniczne na stronie 483*. Różnica jest spowodowana różnymi sposobami użytkowania produktu. W przypadku częstej lub dłuższej eksploatacji produktu należy regularnie robić przerwy, aby zapobiec obrażeniu ciała w wyniku wibracji.

## Instrukcje bezpieczeństwa dotyczące obsługi

### Środki ochrony osobistej



**OSTRZEŻENIE:** Przed rozpoczęciem użytkowania produktu przeczytać następujące ostrzeżenia.

- Środki ochrony osobistej nie eliminują ryzyka odniesienia obrażeń, ograniczają natomiast ich rozmiar w razie zaistnienia wypadku. Skorzystaj z pomocy dealera przy wyborze odpowiedniego sprzętu.
- Należy używać mocnego, przeciwpoślizgowego obuwia ochronnego lub obuwia roboczego. Nie należy używać otwartego obuwia lub chodzić boso.
- Stosować wytrzymałe, długie spodnie.
- W razie potrzeby, na przykład podczas mocowania, badania czy czyszczenia narzędzi tnących, stosować rękawice ochronne.

- Zalecamy stosowanie ochronników słuchu.

## Zespoły zabezpieczające na produkcji



**OSTRZEŻENIE:** Przed rozpoczęciem użytkowania produktu przeczytać następujące ostrzeżenia.

- Nie wolno używać produktu z uszkodzonymi urządzeniami zabezpieczającymi.
- Nie wolno wymontowywać ani modyfikować urządzeń zabezpieczających.
- Regularnie przeprowadzać kontrole urządzeń zabezpieczających. Jeśli urządzenia zabezpieczające są uszkodzone, skontaktować się z warsztatem obsługi technicznej Husqvarna.

## Sprawdzanie osłony tnącego

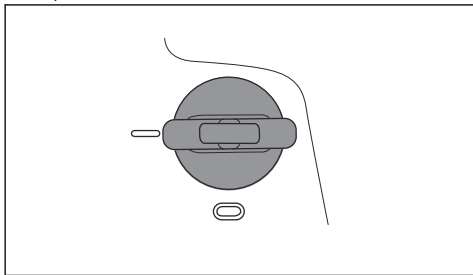
Oslona modułu tnącego ogranicza drgania urządzenia i obniża ryzyko odniesienia obrażeń od ostrza.

- Zbadać osłonę modułu tnącego, aby upewnić się, że nie nosi ona znamion uszkodzenia, takich jak pęknięcia.

## Sprawdzanie kluczyka bezpieczeństwa

Kluczyk bezpieczeństwa znajduje się pod pokrywą akumulatora. Kluczyk bezpieczeństwa służy do podłączenia akumulatora, który zasilia silnik.

- Uruchomić i wyłączyć silnik, aby przeprowadzić kontrolę kluczyka bezpieczeństwa.
- Jeżeli kluczyk bezpieczeństwa działa prawidłowo, silnik uruchomi się tylko po przekręceniu kluczyka w położenie 1.

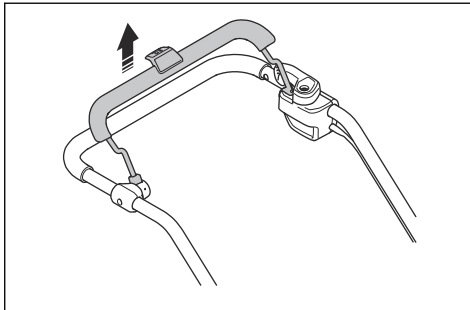


## Sprawdzanie uchwytu hamulca silnika

Uchwyt hamulca silnika zatrzymuje silnik. Po zwolnieniu uchwytu hamulca silnika następuje wyłączenie silnika.

- Uruchomić produkt. Patrz *Przeznaczenie na stronie 471*.

- Zwolnić uchwyt hamulca silnika.

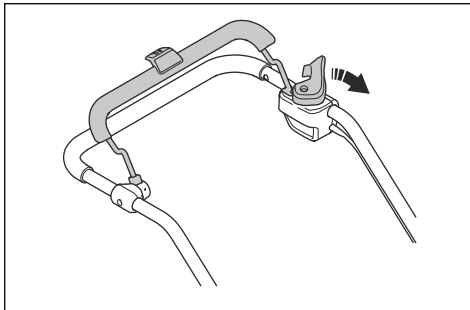


- Sprawdzić, czy urządzenie się zatrzymuje. Jeśli silnik nie wyłączy się w czasie 3 sekund, autoryzowany punkt serwisowy Husqvarna powinien wyregulować hamulec silnika.

## Sprawdzanie blokady rozruchu

Skontrolować zabezpieczenie przed niepożądanym uruchomieniem urządzenia, aby upewnić się, że zapobiega ono uruchomieniu silnika.

1. Pchnąć dźwignię hamulca silnika w stronę dźwigni sterującego. Zabezpieczenie przed niepożądanym uruchomieniem urządzenia zatrzymuje ruch.
2. Popchnąć zabezpieczenie przed niepożądanym uruchomieniem na zewnątrz.



3. Zwolnić zabezpieczenie przed niepożądanym uruchomieniem urządzenia, aby upewnić się, że powróci do swojego położenia wyjściowego.

## Zasady bezpieczeństwa związane z akumulatorem



**OSTRZEŻENIE:** Przed rozpoczęciem użytkowania produktu przeczytać następujące ostrzeżenia.

- Używać akumulatorów Husqvarna wyłącznie do zasilania powiązanych produktów Husqvarna. Aby uniknąć obrażeń, nie należy używać akumulatora jako źródła zasilania innych produktów.
- Nie używać baterii jednorazowego użytku.



- Ryzyko porażenia prądem. Nie przykładaj zacisków akumulatora do kluczy, monet, śrub lub innych metalowych przedmiotów. Może to spowodować zwarcie akumulatora.
- Nie wkładaj żadnych przedmiotów do szczeliny powietrznych akumulatora.
- Chronić akumulator przed bezpośrednim działaniem promieni słonecznych, wysoką temperaturą i otwartym płomieniem. Akumulator może wybuchnąć i spowodować oparzenia i/lub oparzenia chemiczne.
- Akumulator należy chronić przed deszczem i wodą.
- Akumulator należy chronić przed działaniem mikrofal i wysokiego ciśnienia.
- Nie próbować rozbić ani rozbić akumulatora.
- Jeśli doszło do wycieku z akumulatora, unikać kontaktu cieczy ze skórą i oczami. W przypadku dotknięcia cieczy przemyć skórę dużą ilością wody i zgłosić się do lekarza.
- Akumulator produktu może być używany wyłącznie przy temperaturze otoczenia od 5 do 40°C.
- Ładowarka akumulatora może być używana wyłącznie przy temperaturze otoczenia od 5 do 40°C.
- Akumulator nie będzie się ładować, jeżeli jego temperatura przekroczy 50°C.
- Do czyszczenia akumulatora i ładowarki nie należy używać wody. Patrz *Czyszczenie akumulatora i ładowarki na stronie 478*.
- Nie należy używać wadliwego ani uszkodzonego akumulatora.
- Przechowywać akumulatory z dala od metalowych przedmiotów, takich jak gwoździe, monety czy biżuteria.

## Zasady bezpieczeństwa w czasie obsługi ładowarki



**OSTRZEŻENIE:** Przed rozpoczęciem użytkowania produktu przeczytać następujące ostrzeżenia.

- Używać ładowarki QC jedynie do ładowania akumulatorów wymiennych Husqvarna.
- Istnieje ryzyko porażenia prądem i zwarcia. Nie wkładaj żadnych przedmiotów do szczeliny wentylacyjnych ładowarki. Nie należy podejmować prób rozmontowania ładowarki. Nie zwierać końcówek ładowarki metalowymi przedmiotami. Należy korzystać z zatwierdzonego gniazda zasilania.
- Niniejszy produkt podczas pracy wytwarza pole elektromagnetyczne. W pewnych okolicznościach pole to może zakłócać pracę aktywnych lub pasywnych implantów medycznych. Przed przystąpieniem do pracy z produktem, w celu ograniczenia ryzyka poważnych lub śmiertelnych obrażeń, osoby posiadające implanty medyczne

- powinny skonsultować się z lekarzem oraz ich producentem.
- Należy regularnie sprawdzać, czy przewód zasilający ładowarki do akumulatora nie jest uszkodzony i popękany.
- Nie podnosić ładowarki do akumulatora za przewód zasilający. Aby odłączyć ładowarkę do akumulatora od gniazda, wyciągnąć wtyczkę. Nie ciągnąć za przewód.
- Uważać, aby przewód zasilający i przedłużacze nie stykały się z wodą, olejem ani nie dotykały ostrych krawędzi. Uważać także, aby przewód nie został zakleszczony w drzwiach, furkach, płotach itp. Może to spowodować, że ładowarka znajdzie się pod napięciem.
- Do czyszczenia ładowarki nie należy używać wody.
- Ładowarka do akumulatora może być używana przez dzieci, które przekroczyły 8 rok życia, oraz przez osoby o ograniczonych zdolnościach fizycznych, sensorycznych bądź umysłowych lub nie posiadające odpowiedniego doświadczenia i wiedzy, jeśli są one pod nadzorem lub zostały poinstruowane w zakresie bezpiecznego użytkowania ładowarki i rozumieją wiążące się z nią zagrożenia. Dzieci nie mogą bawić się ładowarką do akumulatora. Dzieci nie mogą bez nadzoru czyścić urządzenia ani przeprowadzać jego konserwacji.
- Nie należy ładować akumulatorów nieprzeznaczonych do ładowania.
- Nie używać ładowarki do akumulatora w pobliżu łatwopalnych materiałów lub materiałów, które mogą powodować korozję. Ładowarki nie należy przykrywać. W razie zauważenia dymu lub ognia należy odłączyć ładowarkę od źródła zasilania.
- Nie należy używać wadliwej lub uszkodzonej ładowarki do akumulatora.
- Należy ładować akumulator wyłącznie wewnątrz budynku, w pomieszczeniu z dobrym przepływem powietrza i z dala od światła słonecznego. Nie ładować akumulatora w wilgotnym otoczeniu.

## Instrukcje bezpieczeństwa dotyczące konserwacji



**OSTRZEŻENIE:** Przed rozpoczęciem użytkowania produktu przeczytać następujące ostrzeżenia.

- Aby zapobiec przypadkowemu włączeniu w trakcie prac konserwacyjnych, należy przekręcić kluczyk bezpieczeństwa w położenie „0” i wyjąć akumulator. Przed rozpoczęciem prac konserwacyjnych odczekać co najmniej 5 s.
- Należy wykonywać jedynie prace konserwacyjne opisane w instrukcji obsługi. Większe i bardziej skomplikowane prace oraz profesjonalne naprawy muszą być wykonywane w autoryzowanym punkcie serwisowym. Więcej informacji można uzyskać w najbliższym punkcie serwisowym.

- Prace konserwacyjne należy wykonywać w prawidłowy sposób, aby zwiększyć żywotność produktu i zmniejszyć ryzyko wypadków.
- Wymienić uszkodzone, zużyte lub zniszczone części. Zawsze należy używać oryginalnych części zamiennych, dostarczanych przez producenta. Inne części zamienne mogą spowodować uszkodzenie produktu i zwiększyć ryzyko wypadków.
- Nie wolno wymontowywać ani modyfikować urządzeń zabezpieczających, ponieważ grozi to odniesieniem obrażeń.
- Podczas obsługi osprzętu tnącego należy zakładać specjalistyczne rękawice. Nóż jest bardzo ostry i może łatwo doprowadzić do skaleczenia.
- Aby uzyskać jak najlepsze efekty i zapewnić bezpieczeństwo, należy utrzymywać krawędzie tnące naostrzone i czyste.
- Regularnie oddawać urządzenie do autoryzowanego punktu serwisowego w celu jego kontroli i dokonania koniecznych regulacji lub napraw.
- Należy przestrzegać instrukcji wymiany akcesoriów. Używać wyłącznie akcesoriów od producenta urządzenia.
- Gdy urządzenie nie jest użytkowane, należy przechowywać produkt, akumulator i ładowarkę z dala od siebie, w suchym i zamkniętym pomieszczeniu. Upewnić się, że dzieci ani osoby niepowołane nie mogą uzyskać dostępu do produktu, akumulatora ani ładowarki.

## Montaż

### Wstęp



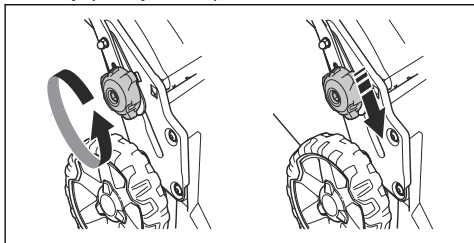
**OSTRZEŻENIE:** Przed montażem produktu należy przeczytać rozdział dotyczący bezpieczeństwa.



**OSTRZEŻENIE:** Aby uniknąć niezamierzonego uruchomienia w trakcie montażu, należy przekręcić kluczyk zabezpieczający w położenie „0”, wyjąć akumulator i odczekać przynajmniej 5 s.

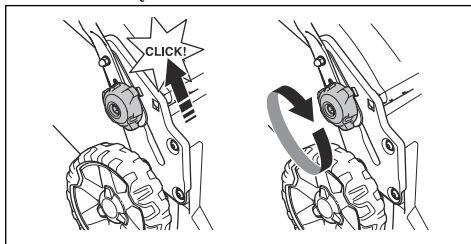
### Regulacja uchwytu

1. Poluzować dolne pokrętła.
2. Przesunąć pokrętła do dolnych końców rowków po lewej i prawej stronie produktu.



3. Ustawić wysokość uchwytu w jedną z 2 dostępnych pozycji.

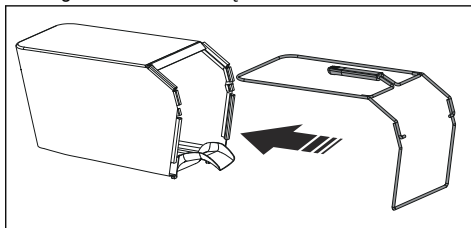
4. Przesunąć pokrętła w górę w kierunku uchwytu aż do zatrzasknięcia.



5. Dokręcić do końca pokrętła.

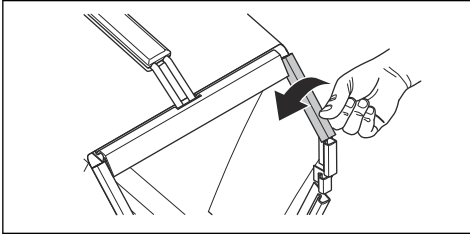
### Montaż pojemnika na trawę

1. Przymocować ramę pojemnika na trawę do worka na trawę tak, aby sztywna część worka znajdowała się na dole. Upewnić się, że uchwyt ramy znajduje się na górze worka na trawę.

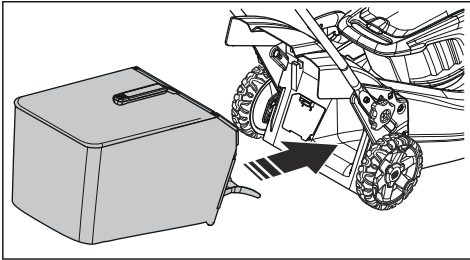


2. Zamocować dolną część ramy pojemnika na trawę w rowku na spodzie pojemnika na trawę.

3. Przymocować worek do ramy pojemnika na trawę za pomocą zacisków.

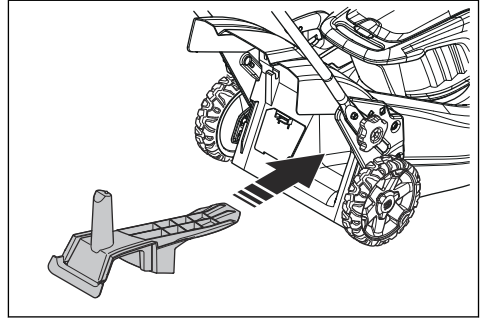


4. Unieść tylną osłonę.
5. Zamocować zbiornik na trawę do górnej krawędzi obudowy.
6. Włożyć dolną część pojemnika na trawę do kanału otworu wylotowego trawy.



## Montaż wkładki mulczącej (akcesorium)

1. Unieść tylną pokrywę i wyjąć pojemnik na trawę.
2. Zamontować wkładkę rozdrabniającą w kanale otworu wylotowego.



3. Wymienić ostrze na ostrze mulczujące, dostarczane w zestawie do mulczowania. Patrz *Wymiana noża* na stronie 479.

## Przeznaczenie

### Wstęp



**OSTRZEŻENIE:** Przed użyciem urządzenia należy przeczytać ze zrozumieniem rozdział poświęcony bezpieczeństwu.

### Husqvarna Connect

Husqvarna Connect to darmowa aplikacja na urządzenia mobilne. Husqvarna ConnectHusqvarna

- Extended product information.
- Information about, and help with, product parts and servicing.

### Rozpoczęcie użytkowania Husqvarna Connect

1. Pobrać aplikację Husqvarna Connect na urządzeniu przenośnym.
2. Łączenie w aplikacji Husqvarna Connect.
3. Wykonać instrukcje wyświetlane w aplikacji Husqvarna Connect, aby nawiązać połączenie i zarejestrować produkt.

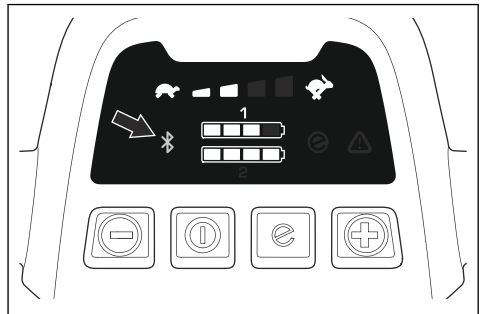
**Uwaga:** Aplikacja Husqvarna Connect nie jest dostępna do pobrania na wszystkich rynkach.

Dodatkowe informacje można uzyskać w centrum serwisowym.

### Bluetooth® informacje (LC 347iVX, LC 353iVX)

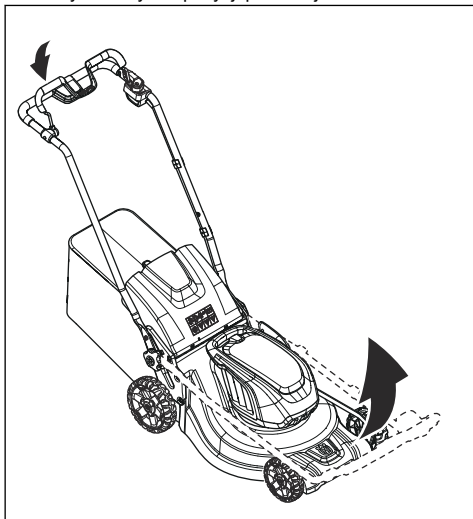
#### Bezprzewodowa technologia Bluetooth®

Symbol bezprzewodowej technologii *Bluetooth®* pojawia się po podłączeniu urządzenia mobilnego do produktu.

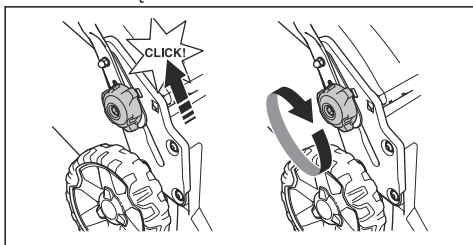


## Ustawienie kosiarki w pozycji roboczej

1. Złożyć uchwyt do pozycji pionowej.



2. Przesunąć pokrętła w górę w kierunku uchwytu aż do zatrzaśnięcia.



3. Dokręcić do końca pokrętła.



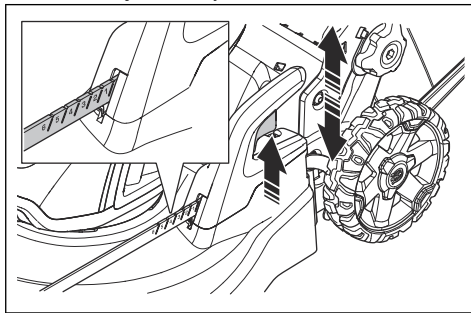
**OSTRZEŻENIE:** Nie wolno używać produktu, jeśli uchwyt nie jest całkowicie złożony do góry i ustawiony w jednej z odpowiednich pozycji wysokości. Patrz *Regulacja uchwytu na stronie 470.*

## Regulacja wysokości koszenia

Można ustawiać 6 różnych wysokości koszenia.

1. Przesunąć dźwignię wysokości koszenia w dół w celu zmniejszenia wysokości koszenia.

2. Przesunąć dźwignię wysokości koszenia do góry w celu zwiększenia wysokości koszenia.



**UWAGA:** Nie należy ustawiać zbyt niskiej wysokości koszenia. Ostrza mogą uderzyć w podłoże, jeśli powierzchnia trawnika nie jest równa.

## Akumulator



**OSTRZEŻENIE:** Przed rozpoczęciem korzystania z akumulatora należy przeczytać ze zrozumieniem rozdział poświęcony bezpieczeństwu. Należy również przeczytać uważnie instrukcję obsługi dołączonej do akumulatora i ładowarki.

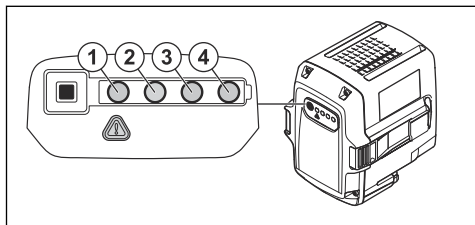
Zapewnić akumulatorowi i ładowarce prawidłową temperaturę otoczenia.

	Temperatura otoczenia
Działanie akumulatora	5–40°C
Ładowanie akumulatora	5–40°C

## Stan akumulatora

Na wyświetlaczu pokazywane są informacje o stanie naładowania akumulatora i sygnalizowane ewentualne problemy. Stan naładowania akumulatora jest wyświetlany przez 5 s po wyłączeniu urządzenia lub po naciśnięciu przycisku wskaźnika akumulatora. W przypadku wystąpienia błędu włącza się symbol

ostrzegawczy na akumulatorze. Patrz *Akumulator na stronie 480*.



Diody LED	Stan akumulatora
Świecą się wszystkie diody LED.	W pełni naładowany (75–100%).
Świecą się diody LED 1, LED 2, LED 3.	Poziom naładowania akumulatora 50–75%.
Świecą się diody LED 1, LED 2.	Poziom naładowania akumulatora 25–50%.
Świeci się dioda LED 1.	Poziom naładowania akumulatora: 0–25%.
Miga dioda LED 1.	Akumulator rozładowany. Naładuj akumulator.

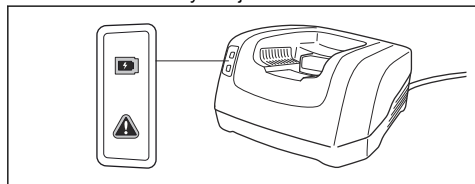
## Ładowanie akumulatora

Przed pierwszym użyciem należy naładować akumulator. W chwili dostawy do klienta akumulator jest naładowany jedynie w 30%.

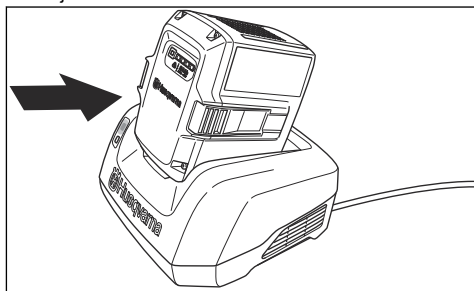
**Uwaga:** Ładownica do akumulatora musi zostać podłączona do napięcia i częstotliwości wskazanych na tabliczce znamionowej.

Akumulator nie ładuje się, gdy temperatura akumulatora przekracza 50°C. Przed rozpoczęciem ładowania ładownica zmniejsza temperaturę akumulatora.

1. Podłączyć jeden koniec przewodu zasilającego ładowniki do gniazda ładowniki.
2. Podłączyć drugi koniec przewodu zasilającego ładowniki do gniazda sieciowego z uziemieniem. Dioda ładowniki błysnie jeden raz na zielono.



3. Włóż akumulator do ładowniki. Kiedy akumulator jest prawidłowo podłączony do ładowniki, włącza się na niej zielona dioda.



4. Akumulator jest całkowicie naładowany, gdy włącza się wszystkie diody. Akumulator można ładować przez maks. 24 godziny.
5. Aby odłączyć ładownikę od gniazda sieciowego, należy ciągnąć za wtyczkę, a nie za przewód.
6. Akumulator należy wyjąć z ładowniki.

## Stan ładowania akumulatora

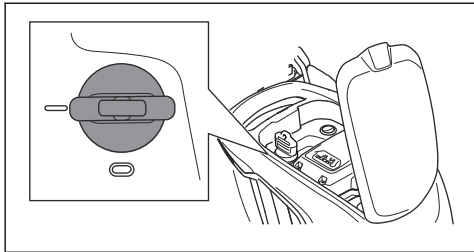
Akumulator litowo-jonowy Husqvarna można ładować i używać przy różnych poziomach naładowania. Akumulator nie jest uszkodzony. W pełni naładowany akumulator nie będzie się rozładowywał, nawet jeśli zostanie w ładownice.

Wyświetlacz LED	Stan ładowania
Miga dioda LED 1.	0–25%
Dioda LED 1 świeci, a dioda LED 2 miga.	25–50%
Diody LED 1 i LED 2 świecą, a dioda LED 3 miga.	50–75%
Diody LED 1, LED 2 i LED 3 świecą, a dioda LED 4 miga.	75–100%
Świecą diody LED 1, LED 2, LED 3 i LED 4	Akumulator całkowicie naładowany

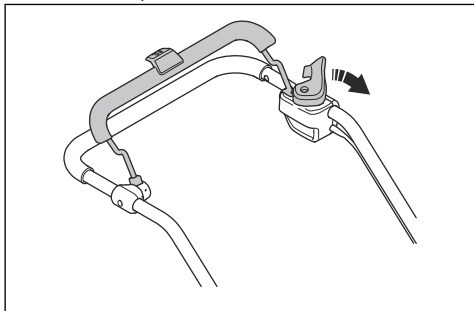
## Uruchamianie urządzenia (LC 247i)

1. Otworzyć pokrywę akumulatora.
2. Umieścić naładowany akumulator w 1 z uchwytów akumulatora. Aby zapewnić dłuższy czas pracy, należy umieścić dodatkowy naładowany akumulator w drugim uchwycie akumulatora.

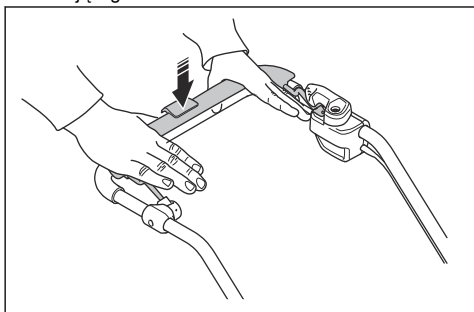
3. Obróć kluczyk bezpieczeństwa do położenia 1.



4. Należy pozostawać za maszyną.  
5. Poluzować opóźniacz rozruchu.



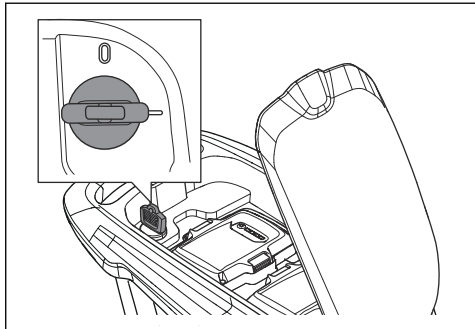
6. Pchnąć dźwignię hamulca silnika w stronę drążka sterującego.



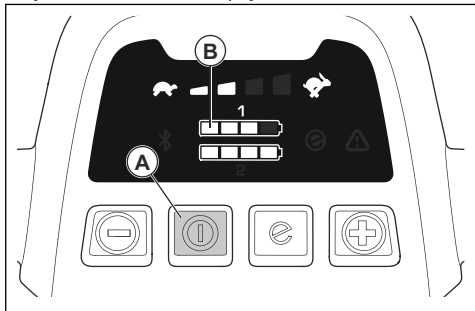
## Uruchamianie urządzenia (LC 347iVX, LC 353iVX)

1. Otworzyć pokrywę akumulatora.
2. Umieścić naładowany akumulator w 1 z uchwytów akumulatora. Aby zapewnić dłuższy czas pracy, należy umieścić dodatkowy naładowany akumulator w drugim uchwycie akumulatora.

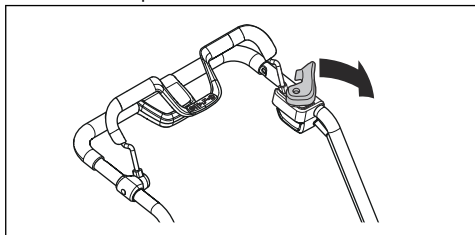
3. Obróć kluczyk bezpieczeństwa do położenia 1.



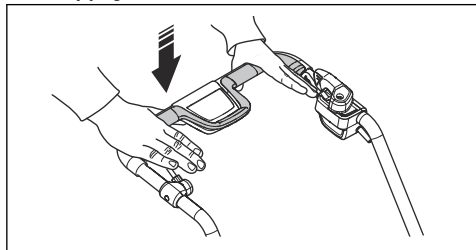
4. Należy pozostawać za maszyną.  
5. Nacisnąć przycisk wł./wył. (A) na panelu sterowania. Włączy się wyświetlacz. Wskaźnik akumulatora (B) wskazuje stan naładowania 2 akumulatorów. Numer aktualnie działającego akumulatora jest wyświetlany obok wskaźnika akumulatora. W modelach LC 347iVX, LC 353iVX na wyświetlaczu widoczna jest również ustawiona prędkość.



6. Poluzować opóźniacz rozruchu.

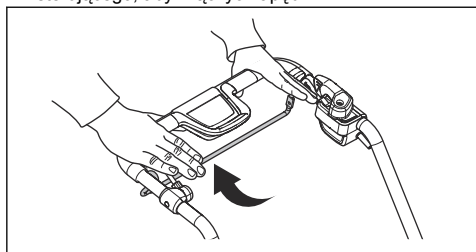


- 7. Pchnąć dźwignię hamulca silnika w stronę drążka sterującego.

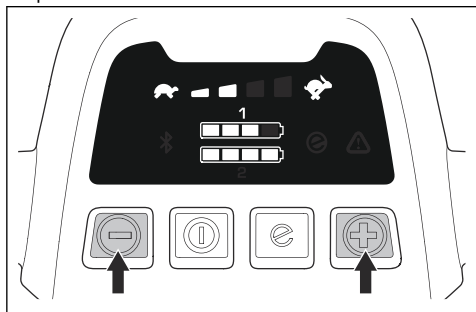


## Korzystanie z napędu kół LC 347iVX, LC 353iVX

- Pociągnąć dźwignię napędu w kierunku drążka sterującego, aby włączyć napęd.



- Za pomocą przycisków + i - na panelu sterowania można ustawić prędkość jazdy na jeden z 4 poziomów.

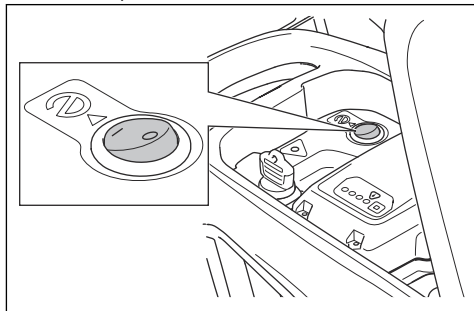


- Zwolnić dźwignię napędu, aby odłączyć napęd na przykład w sytuacji zbliżania się do przeszkody.

## Korzystanie z funkcji Save™ (LC 247i)

Urządzenie wyposażone jest w funkcję oszczędzania akumulatora (Save™), która zapewnia dłuższy czas pracy.

- Aby uruchomić funkcję, należy przekreślić przycisk Save™ w położenie 1.



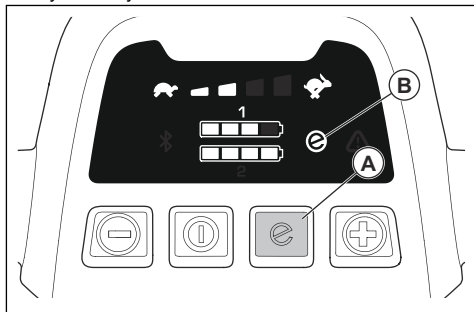
- Przekreślenie przycisku Save™ w położenie 0 wyłączy funkcję.

**Uwaga:** Funkcja Save™ zostanie wyłączona automatycznie, jeśli okaże się, że stan podłoża wymaga zastosowania większej mocy. Funkcja Save™ ponownie uruchomi się automatycznie, gdy tylko stan podłoża na to pozwoli.

## Korzystanie z funkcji Save™ (LC 347iVX, LC 353iVX)

Urządzenie wyposażone jest w funkcję oszczędzania akumulatora (Save™), która zapewnia dłuższy czas pracy.

1. Aby uruchomić funkcję, należy nacisnąć przycisk Save™ (A). Na wyświetlaczu pojawi się symbol Save™ (B).
2. Ponowne naciśnięcie przycisku Save™ wyłączy funkcję. Symbol Save™ (B) przestanie być wyświetlany.



**Uwaga:** Funkcja Save™ zostanie wyłączona automatycznie, jeśli okaże się, że stan podłoża wymaga zastosowania większej mocy. Funkcja Save™ ponownie uruchomi się automatycznie, gdy tylko stan podłoża na to pozwoli.

## Funkcja dużego obciążenia

Jeżeli urządzenie jest używane do ścinania mokrej lub długiej trawy, silnik automatycznie zwiększy prędkość obrotową. Silnik powróci do trybu standardowego, gdy wysokie obciążenie nie będzie już potrzebne.

## Automatyczny restart

Podczas pracy nóż i silnik mogą chwilowo zatrzymać się z powodu przeszkód, takich jak nagromadzona trawa pod pokrywą zespołu tnącego. W takim przypadku, jeśli dźwignia hamulca silnikowego jest nadal wciśnięta w dół, produkt automatycznie spróbuje uruchomić się ponownie. Jeśli produkt nie uruchomi się ponownie w ciągu 5 sekund, konieczne może być wyczyszczenie obszaru pod pokrywą zespołu tnącego. Patrz *Czyszczenie produktu na stronie 478*.



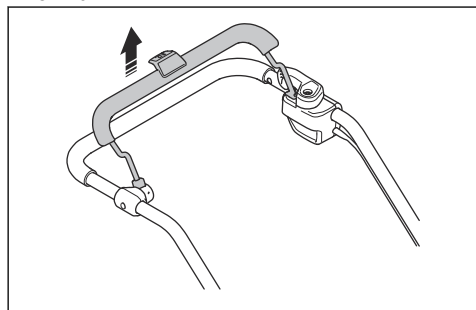
**OSTRZEŻENIE:** Przed sprawdzeniem pokrywy zespołu tnącego zwolnić dźwignię hamulca silnikowego, przekręcić kluczyk bezpieczeństwa do pozycji 0, wyjąć akumulator i odczekać co najmniej 5 sekund. Jeśli przeszkoda zostanie usunięta i produkt przypadkowo uruchomi się, można odnieść obrażenia.

## Wyłączenie urządzenia (LC 247i)

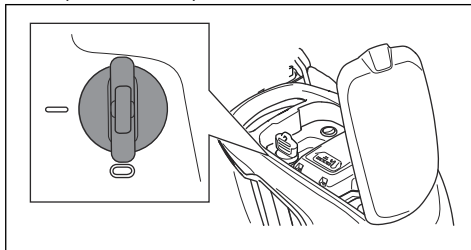


**OSTRZEŻENIE:** Przed pozostawieniem produktu poza zasięgiem wzroku należy ustawić kluczyk bezpieczeństwa w położeniu 0.

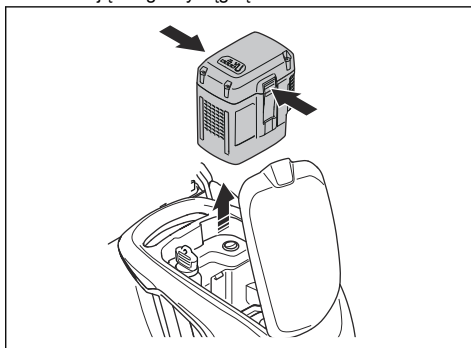
1. Aby wyłączyć silnik, należy zwolnić uchwyt hamulca silnika.



2. Otworzyć pokrywę akumulatora i obrócić kluczyk bezpieczeństwa w położenie „0”.



3. Aby wyjąć akumulator, naciśnąć 2 przyciski zwalniające i go wyciągnąć.



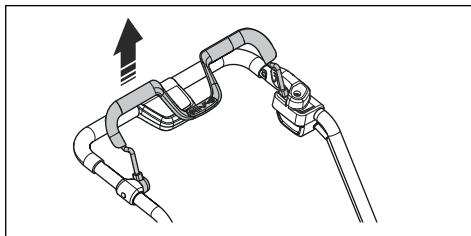
4. Jeżeli poziom naładowania akumulatora jest niski, należy go naładować. Aby uzyskać więcej informacji, patrz *Ładowanie akumulatora na stronie 473*.

## Wyłączenie urządzenia (LC 347iVX, LC 353iVX)



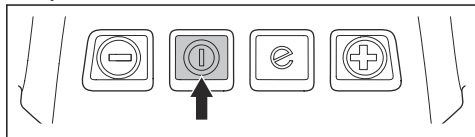
**OSTRZEŻENIE:** Przed pozostawieniem produktu poza zasięgiem wzroku należy ustawić kluczyk bezpieczeństwa w położeniu 0.

1. Aby wyłączyć silnik, należy zwolnić uchwyt hamulca silnika.

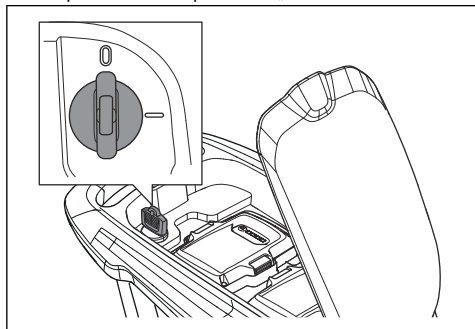




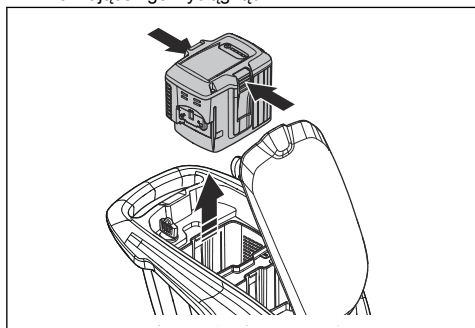
2. Nacisnąć przycisk WŁ./WYŁ. na panelu sterowania. Wszystkie diody LED i symbole przestaną być wyświetlane.



3. Otworzyć pokrywę akumulatora i obrócić kluczyk bezpieczeństwa w położenie „0”.



4. Aby wyjąć akumulator, nacisnąć 2 przyciski zwalniające i go wyciągnąć.



5. Jeżeli poziom naładowania akumulatora jest niski, należy go naładować. Aby uzyskać więcej informacji, patrz *Ładowanie akumulatora na stronie 473*.

**Uwaga:** Urządzenie wyłącza się automatycznie, jeśli nie jest używane przez kilka minut. Aby ponownie uruchomić urządzenie, patrz *Uruchamianie urządzenia (LC 347iVX, LC 353iVX) na stronie 474*.

## Uzyskiwanie dobrych rezultatów

- Używać zawsze dobrze naostrzonych ostrzy. Stępione ostrze daje nierównomierne rezultaty, a ścinana powierzchnia żółknie. Naostrzone ostrze zużywa również mniej energii niż ostrze stępione.
- Nie należy kosić więcej niż  $\frac{1}{3}$  długości trawy. Najpierw należy kosić przy użyciu dużej wysokości koszenia. Zbadać rezultaty i obniżyć wysokość koszenia do odpowiedniego poziomu. Jeśli trawa jest bardzo długa, w razie konieczności należy przejechać powoli i ścinać dwukrotnie.
- Kosić za każdym razem w różnych kierunkach, aby uniknąć powstawania pasów na trawniku.
- Utrzymywać osłonę zespołu tnącego w czystości. Nagromadzenie trawy i zanieczyszczeń po wewnętrznej stronie osłony zespołu tnącego może zmniejszyć efekt koszenia. Patrz *Czyszczenie produktu na stronie 478*.

## Koszenie trawy bez pojemnika na trawę i przystawki mulczującej

- Unieść tylną pokrywę i wyjąć pojemnik na trawę.
- Jeżeli zamontowana jest przystawka mulczująca lub nóż mulczujący, należy je wymontować.
- Przed przystąpieniem do używania urządzenia należy zamknąć tylną pokrywę.

W trakcie pracy urządzenia ścięta trawa jest wyrzucana pod tylną pokrywę.

## Przegląd

### Wstęp



**OSTRZEŻENIE:** Przed przeprowadzeniem konserwacji należy przeczytać i zrozumieć rozdział o bezpieczeństwie.

Do wykonywania wszelkich prac serwisowych i naprawczych konieczne jest specjalistyczne przeszkolenie. Gwarantujemy dostępność profesjonalnych napraw i usług serwisowych. Jeśli dany dealer nie jest autoryzowanym punktem serwisowym, poproś sprzedawcę o informacje na temat najbliższego autoryzowanego punktu serwisowego.

Aby uzyskać więcej szczegółowych informacji, patrz [www.husqvarna.com](http://www.husqvarna.com).

### Plan konserwacji

Odstępy pomiędzy konserwacjami obliczane są w oparciu o codzienne wykorzystanie produktu. Odstępy te ulegają zmianie, jeśli maszyna nie jest użytkowana codziennie.

W przypadku konserwacji oznaczonych gwiazdką \*, patrz instrukcje w *Bezpieczeństwo na stronie 464*.

	Każde użycie	Co miesiąc	Co sezon
Przeprowadzenie ogólnego przeglądu	X		
Wyczyszczenie maszyny	X		
Sprawdzić zabezpieczenie przed niepożądanym uruchomieniem.*	X		
Sprawdzić, czy urządzenia zabezpieczające są sprawne.*	X		
Kontrola osprzętu tnącego	X		
Sprawdzić osłonę cięcia.*	X		
Sprawdzić uchwyt hamulca silnika.*	X		
Sprawdzić, czy przycisk WŁ./WYŁ. działa poprawnie i jest sprawny.	X		
Sprawdzić akumulator pod kątem uszkodzeń.	X		
Sprawdzić naładowanie akumulatora.	X		
Sprawdzić, czy przyciski zwalniające akumulator działają prawidłowo oraz czy blokują go na miejscu w urządzeniu.	X		
Sprawdzić, czy ładowarka nie jest uszkodzona oraz czy działa prawidłowo.		X	
Sprawdzić połączenia pomiędzy akumulatorem a urządzeniem. Sprawdzić również połączenie pomiędzy akumulatorem a ładowarką.			X

## Przegląd ogólny

- Należy upewnić się, że nakrętki i śruby maszyny są dokręcone.
- Upewnić się, że przewody urządzenia nie znajdują się w położeniu, w którym mogłyby ulec uszkodzeniu.

## Czyszczenie produktu

- Plastikowe części należy czyścić czystą i suchą ściereczką.
- Do czyszczenia urządzenia nie należy używać wody. Woda mogłaby dostać się do akumulatora lub silnika i wywołać zwarcie lub uszkodzenie urządzenia.
- Nie używać myjek wysokociśnieniowych do czyszczenia urządzenia.
- Nie polewać silnika bezpośrednio wodą.
- W celu usunięcia liści, trawy i brudu należy użyć szczotki.

## Czyszczenie akumulatora i ładowarki



**OSTRZEŻENIE:** Do czyszczenia akumulatora i ładowarki nie należy używać wody.

- Przed włożeniem akumulatora do ładowarki należy sprawdzić, czy akumulator i ładowarka są czyste i suche.

- Zaciski akumulatora należy czyścić sprężonym powietrzem lub miękką i suchą szmatką.
- Powierzchnie akumulatora i ładowarki należy czyścić miękką i suchą szmatką.

## Kontrola osprzętu tnącego



**OSTRZEŻENIE:** Aby uniknąć niezamierzonego uruchomienia, należy przekręcić kluczyk zabezpieczający do położenia 0, wyjąć akumulator i odczekać przynajmniej 5 s.



**OSTRZEŻENIE:** W trakcie konserwacji narzędzi tnących należy korzystać z rękawic ochronnych. Ostrze jest bardzo ostre i może łatwo doprowadzić do skałeczenia.

- Należy skontrolować, czy osprzęt tnący nie jest uszkodzony bądź pęknięty. Zawsze wymieniać uszkodzony osprzęt tnący.
- Obejrzeć ostrze i upewnić się, że nie jest uszkodzone lub stępione.

**Uwaga:** Po ostrzeniu ostrze należy wypoziomować. Ostrzenie, wymiana i poziomicowanie ostrza winno zostać przeprowadzone przez centrum serwisowe. W przypadku uderzenia w przeszkodę, która zatrzymuje maszynę, należy wymienić uszkodzone ostrze.

Pozwolić, aby przedstawiciel serwisowy oszacował, czy ostrze można naostrzyć czy wymienić.

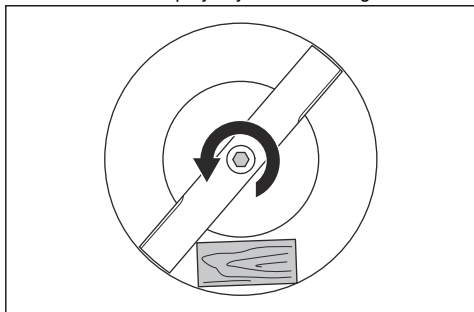
## Wymiana noża

Prawidłowy typ smaru do noża — patrz *Dane techniczne na stronie 483*.

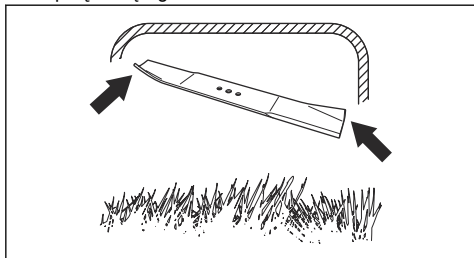


**OSTRZEŻENIE:** Zablokować nóż drewnianym klockiem, aby zapobiec obrażeniom palców podczas wymiany noży. Gdy silnik jest wyłączony, nóż nadal może się poruszać, przez co może dojść do przyknięcia palców między nożem a nieruchomymi częściami.

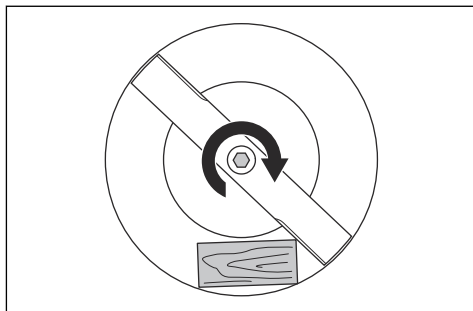
1. Zablokować nóż przy użyciu drewnianego bloku.



2. Wymontować śrubę noża.
3. Zdjąć ostrze.
4. Skontrolować wspornik ostrza oraz śrubę ostrza pod kątem uszkodzeń.
5. Skontrolować wał silnika, aby upewnić się, że nie jest zgięty.
6. Podczas mocowania nowego ostrza należy skierować zakrzywione końce ostrza ku osłonie osprzętu tnącego.



7. Upewnić się, że ostrze jest wyrównane względem środka wału silnika.
8. Zablokować nóż przy użyciu drewnianego bloku. Zamocować podkładkę sprężynową i dokręcić śrubę oraz podkładkę momentem dokręcania wynoszącym 23–28 Nm.



9. Obracać nożem za pomocą ręki i sprawdzić, czy obraca się swobodnie.



**OSTRZEŻENIE:** Nosić solidne rękawice ochronne. Nóż jest bardzo ostry i może łatwo doprowadzić do skaleczenia.

10. Uruchomić maszynę w celu przetestowania ostrza. Jeśli ostrze nie zostało zamontowane prawidłowo, maszyna będzie wibrować lub rezultaty koszenia będą niezadowolające.

## Rozwiązywanie problemów

### Akumulator

Dioda na akumulatorze	Przyczyna	Rozwiązanie
Miga zielona dioda LED.	Napięcie akumulatora jest niskie.	Naładować akumulator. Patrz <i>Ładowanie akumulatora na stronie 473</i> .
Miga dioda LED błędu.	Akumulator jest słaby.	Naładować akumulator. Patrz <i>Ładowanie akumulatora na stronie 473</i> .
	Temperatura środowiska pracy jest zbyt wysoka lub zbyt niska.	Akumulator można użytkować w zakresie temperatur od 5°C do 40°C.
	Przepięcie.	Sprawdzić, czy napięcie sieciowe jest takie, jak podano na tabliczce znamionowej na urządzeniu. Akumulator należy wyjąć z ładowarki. Odczekać 5 s i spróbować ponownie naładować akumulator. Jeśli problem utrzymuje się, skontaktować się z autoryzowanym warsztatem obsługi technicznej.
Dioda LED błędu jest włączona.	Zbyt wysoka różnica między ogniwa- mi akumulatora (1 V).	Skontaktować się z autoryzowanym punktem serwisowym.

### Ładowarka

Dioda na ładowarce	Przyczyna	Rozwiązanie
Miga dioda LED błędu.	Temperatura środowiska pracy jest zbyt wysoka lub zbyt niska.	Ładowarkę akumulatora można użytkować w zakresie temperatur od 5°C do 40°C.
Dioda LED błędu jest włączona.		Skontaktować się z autoryzowanym punktem serwisowym.

### Kosiarka

Wskaźnik ostrzegawczy (dioda LED błędu) znajduje się pod pokrywą akumulatora ((LC 247i)) lub na panelu sterowania ((LC 347iVX, LC 353iVX)).

Problem	Dioda LED błędu (liczba błysków)	Przyczyna	Rozwiązanie
Miga dioda LED błędu. Produkt nie działa prawidłowo.	3	Nóż jest zablokowany.	Aby zapobiec przypadkowemu uruchomieniu silnika, należy przekręcić kluczyk bezpieczeństwa w położenie 0. Wyjąć akumulator i odczekać co najmniej 5 sekund. Usunąć wszelkie przeszkody i upewnić się, że nóż może się swobodnie obracać. Jeśli problem utrzymuje się, skontaktować się z autoryzowanym warsztatem obsługi technicznej.
	5	Prędkość obrotowa silnika spada zbyt mocno i silnik wyłącza się.	Zwiększyć wysokość koszenia. Patrz <i>Regulacja wysokości koszenia na stronie 472</i> .
	6 <sup>73</sup>	Koła lub przekładnia są zablokowane.	Aby zapobiec przypadkowemu uruchomieniu silnika, należy przekręcić kluczyk bezpieczeństwa w położenie 0. Wyjąć akumulator i odczekać co najmniej 5 sekund. Usunąć wszelkie przeszkody i upewnić się, że koła mogą się swobodnie obracać. Jeśli problem utrzymuje się, skontaktować się z autoryzowanym warsztatem obsługi technicznej.
	10	Sterownik silnika jest zbyt gorący.	Wyłączyć silnik i poczekać, aż ostygnie.
Miga dioda LED błędu. Produkt zatrzymuje się.	0	Usterka złącza akumulatora.	Sprawdzić złącze akumulatora.
	3	Silnik jest przeciążony.	Zwiększyć wysokość koszenia. Patrz <i>Regulacja wysokości koszenia na stronie 472</i> .
	8	Akumulator jest słaby.	Naładować akumulator. Patrz <i>Ładowanie akumulatora na stronie 473</i> .
	9	Błąd akumulatora lub brak sygnału z akumulatora.	Prawidłowo umieścić akumulator w urządzeniu i sprawdzić złącze akumulatora. Jeśli miga dioda błędu na akumulatorze. Patrz <i>Akumulator na stronie 480</i> .
12	Nieprawidłowa procedura rozruchu. Uchwyt hamulca silnika zaciągnięto przed uruchomieniem silnika.	Zwolnić uchwyt hamulca silnika i odczekać około 5 sekund. Ponownie nacisnąć uchwyt hamulca silnika, aby uruchomić urządzenie.	
Inne błędy.	W przypadku wystąpienia innego błędu obrócić kluczyk bezpieczeństwa do położenia 0, wyjąć akumulator i skonsultować się z autoryzowanym warsztatem obsługi technicznej.		

<sup>73</sup> LC 347iVX, LC353iVX

# Transport, przechowywanie i utylizacja

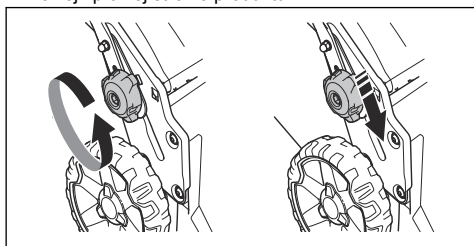
## Wstęp



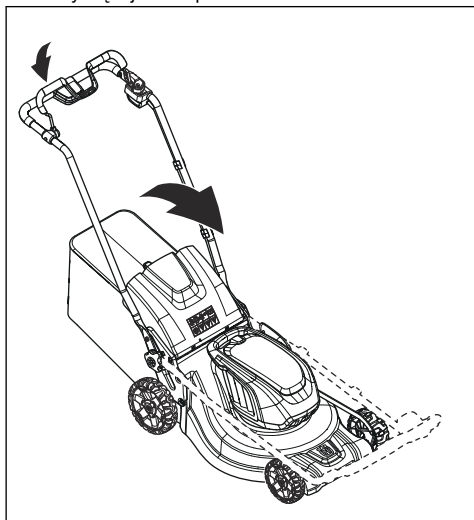
**OSTRZEŻENIE:** Aby uniknąć niezamierzonego uruchomienia w trakcie transportu, należy przekręcić kluczyk zabezpieczający w położenie „0”, wyjąć akumulator i odczekać przynajmniej 5 s.

## Ustawianie produktu w pozycji transportowej

1. Poluzować pokrętkę.
2. Przesunąć pokrętkę do dolnych końców rowków po lewej i prawej stronie produktu.



3. Złożyć rękojeść do przodu.



4. Wymontować pojemnik na trawę.

## Transport

- Przepisy dotyczące towarów niebezpiecznych mają zastosowanie do dołączonych akumulatorów litowo-jonowych.

- W przypadku transportu komercyjnego należy przestrzegać specjalnych wymagań umieszczonych na opakowaniu i etykietach.
- W trakcie przygotowywania urządzenia do transportu należy upewnić się, że postępuje się zgodnie z przepisami dotyczącymi materiałów niebezpiecznych. Mogą obowiązywać również lokalne przepisy.
- Zawsze wyjmować akumulator na czas transportu.
- Na złączach akumulatora należy przykleić taśmę i upewnić się, że akumulator nie może się przemieszczać w trakcie transportu.
- W trakcie transportu urządzenie należy zamocować.

## Przechowywanie

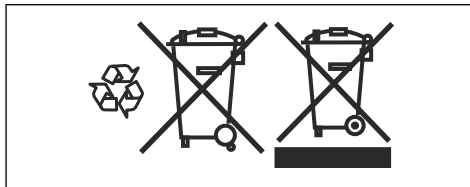
- Przed pozostawieniem na okres przechowywania odczekać, aż urządzenie ostygnie.
- Zawsze wyjmować akumulator do przechowania.
- Aby uniknąć wypadków, upewnić się, że akumulator jest odłączony od produktu podczas przechowywania.
- Akumulator należy trzymać w zamkniętym i suchym miejscu.
- Akumulator i ładowarkę należy trzymać w suchym miejscu, w którym nie występuje wilgoć ani mroź.
- Na czas przechowywania odłączyć akumulator od ładowarki.
- Nie przechowywać akumulatora w miejscu, gdzie może występować elektryczność statyczna. Nie przechowywać akumulatora w metalowym pojemniku.
- Produkt należy przechowywać w temperaturze otoczenia w zakresie od  $-10^{\circ}\text{C}$  do  $40^{\circ}\text{C}$ .
- Akumulator należy przechowywać w temperaturze otoczenia od  $5^{\circ}\text{C}$  do  $25^{\circ}\text{C}$ , w miejscu osłoniętym przed działaniem promieni słonecznych.
- Ładowarkę należy przechowywać w temperaturze otoczenia od  $5^{\circ}\text{C}$  do  $45^{\circ}\text{C}$ , w miejscu osłoniętym przed działaniem promieni słonecznych.
- Przed odstawieniem urządzenia na dłuższe przechowywanie należy upewnić się, że poziom naładowania akumulatora wynosi 30%–50%.
- Urządzenie, akumulator i ładowarkę należy trzymać w zamkniętym pomieszczeniu, niedostępnym dla dzieci ani osób nieupoważnionych.
- Wyczyścić produkt i upewnić się, że pojemnik na trawę jest pusty.
- Konserwację należy przeprowadzać wyłącznie według instrukcji użytkownika. Patrz *Przegląd na stronie 477*.
- Przed pozostawieniem produktu na dłuższy okres przechowywania należy go wyczyścić oraz przeprowadzić pełny przegląd.

## Utylizacja

Symbole znajdujące się na urządzeniu oraz na opakowaniu informują o tym, że nie wolno traktować go jak zwykłego odpadu domowego. Musi ono zostać oddane do odpowiedniego punktu pobierania surowców wtórnych, zajmującego się przetwarzaniem urządzeń elektrycznych oraz elektronicznych.

Przekazując produkt w odpowiednie miejsce, pomagasz przeciwdziałać jego potencjalnemu negatywnemu wpływowi na środowisko naturalne i ludzi. Aby uzyskać więcej informacji na temat recyklingu niniejszego

produktu, skontaktować się z urzędem miasta lub gminy, przedsiębiorstwem gospodarki komunalnej albo punktem sprzedaży, w którym produkt został kupiony.



## Dane techniczne

### Dane techniczne

	LC 247I	LC 347IVX	LC 353IVX
<b>Silnik koszący</b>			
Typ silnika	BLDC (bezszcotkowy) 36 V	BLDC (bezszcotkowy) 36 V	BLDC (bezszcotkowy) 36 V
Prędkość silnika – SavE, obr./min	2600/min	2600/min	2600/min
Prędkość silnika – nominalna, obr./min	3000/min	3000/min	3000/min
Prędkość silnika – duże obciążenie, obr./min	3500/min	3500/min	3500/min
Moc silnika – maks., kW	0,96	0,96	1,05
Moc silnika – nominalna, kW	0,75	0,75	0,9
<b>Silnik napędowy</b>			
Moc silnika – nominalna, kW	N/D	0,25	0,25
Prędkość chodu, km/h	N/D	3,0–4,5	3,0–4,5
Poziomy regulacji prędkości	N/D	4	4
<b>Waga</b>			
Waga bez torby (bez akumulatora), kg	24,5	26	28
Waga z torbą (w tym 2 x Bli30), kg	30,5	32,0	34,5
<b>Akumulator</b>			
Typ akumulatora	Akumulatory z serii Husqvarna		
<b>Czas pracy na akumulatorze</b>			
Czas pracy akumulatora, min. (swobodna praca) z aktywną funkcją SavE, z jednym akumulatorem Husqvarna 7,7 Ah (Bli30).	62	62	46
Czas pracy akumulatora, min. (swobodna praca) w trybie standardowym, z jednym akumulatorem Husqvarna 7,7 Ah (Bli30).	43	43	28
<b>Poziom hałasu</b> <sup>74</sup>			

<sup>74</sup> Emisję hałasu do otoczenia zmierzono jako moc akustyczną ( $L_{WA}$ ), zgodnie z dyrektywą WE 2000/14/WE.

	LC 247i	LC 347iVX	LC 353iVX
Zmierzony poziom mocy akustycznej, dB(A)	94	94	97
Poziom głośności, gwarantowana moc akustyczna $L_{WA}$ dB(A)	95	95	98
<b>Poziomy głośności</b> <sup>75</sup>			
Poziom ciśnienia akustycznego przy uchu operatora, dB(A)	82	82	86
<b>Poziomy drgań</b> <sup>76</sup>			
Uchwyt, m/s <sup>2</sup>	0,42	0,42	2,64
<b>Osprzęt tnący</b>			
Wysokość koszenia, mm	20–75 mm	20–75 mm	20–75 mm
Szerokość koszenia, cm	47	47	53
Standardowy nóż	Zbierające 5905934-10	Zbierające 5905934-10	Zbierające 5940757-10
Dodatkowy nóż	Mulczujące 5907010-10	Mulczujące 5907010-10	Mulczujące 5950072-10
Pojemność zbiornika na trawę, l	55	55	60

Dane częstotliwości radiowej dla Bluetooth®	LC 247i	LC 347iVX	LC 353iVX
Zakres częstotliwości, GHz	N/D	2,4-2,4835	2,4-2,4835
Moc wyjściowa, maks., dBm	N/D	4	4

Zatwierdzone akumulatory	Typ	Pojemność akumulatora, Ah	Napięcie, V	Waga, funty/kg
BLi20	Litowo-jonowy	4,0	36	2,6/1,2
BLi30	Litowo-jonowy	7,7	36	4,2/1,9

Zatwierdzone ładowarki obsługujące określone akumulatory, BLi	Napięcie wejściowe, V	Częstotliwość, Hz	Moc, W
QC80	100–240	50–60	80

<sup>75</sup> Współczynnik niepewności (K) pomiaru zarejestrowanych danych dotyczących poziomu ciśnienia akustycznego wynosi 1,5 dB(A).

<sup>76</sup> Współczynnik niepewności (K) pomiaru zarejestrowanych danych dotyczących poziomu drgań wynosi 1,5 m/s<sup>2</sup>. Zadeklarowana całkowita wartość drgań została zmierzona zgodnie z normą EN 62841-4-3, załącznik I, i może być używana do porównywania różnych maszyn oraz do wstępnej oceny jej wielkości.



Zatwierdzone ładowarki obsługujące określone akumulatory, BLi	Napięcie wejściowe, V	Częstotliwość, Hz	Moc, W
40-C80	100-240	50-60	68,8
QC250	100-240	50-60	250

# Deklaracja zgodności

## Deklaracja zgodności UE

Firma **Husqvarna AB**, SE-561 82 Huskvarna,  
Szwecja, tel.: +46-36-146500, deklarujemy z pełną  
odpowiedzialnością, że produkt:

<b>Opis</b>	Kosiarka
<b>Marka</b>	Husqvarna
<b>Typ/model</b>	LC 247i
<b>Identyfikacja</b>	Numery seryjne z roku 2021 i nowsze

spełnia wszystkie wymogi określone w odpowiednich  
dyrektywach i przepisach UE:

Dyrektywa/przepis	Opis
2006/42/WE	„w sprawie maszyn”
2014/30/UE	„dotycząca zgodności elektromagnetycznej”
2000/14/WE	„dotycząca emisji hałasu do środowiska”
2011/65/UE	„dotycząca ograniczenia użycia niektórych substancji niebezpiecznych w sprzęcie elektrycznym i elektronicznym”

oraz został zaprojektowany zgodnie z następującymi  
normami i specyfikacjami technicznymi: EN  
62841-1:2015+AC:2015, EN 62841-4-3:2021+A11:2021,  
EN ISO 12100:2010, EN 55014-1:2017+A11:2020, EN  
55014-2:2015, EN IEC 63000:2018.

Jednostka notyfikowana: 0404, RISE SMP Svensk  
Maskinprovning AB, Box 7035, SE-750 07 Uppsala  
potwierdza zgodność z dyrektywą rady 2000/14/WE,  
procedura oceny zgodności: Załącznik VI.

Informacje dotyczące emisji hałasu podano w rozdziale  
*Dane techniczne na stronie 483.*

Huskvarna, 2021-12-01

Claes Losdal, Szef ds. Rozwoju Produkcji/Produkty  
ogrodowe, Husqvarna AB

Osoba odpowiedzialna za dokumentację techniczną



## Deklaracja zgodności UE

Firma **Husqvarna AB**, SE-561 82 Huskvarna,  
Szwecja, tel.: +46-36-146500, deklarujemy z pełną  
odpowiedzialnością, że produkt:

<b>Opis</b>	Kosiarka
<b>Marka</b>	Husqvarna
<b>Typ/model</b>	LC 347iVX, LC 353iVX
<b>Identyfikacja</b>	Numery seryjne z roku 2021-12-01 i nowsze

spełnia wszystkie wymogi określone w odpowiednich  
dyrektywach i przepisach UE:

Dyrektywa/przepis	Opis
2006/42/WE	„w sprawie maszyn”
2014/53/UE	„dotycząca sprzętu radiowego”
2000/14/WE	„dotycząca emisji hałasu do środowiska”
2011/65/UE	„dotycząca ograniczenia użycia niektórych substancji niebezpiecznych w sprzęcie elektrycznym i elektronicznym”

oraz został zaprojektowany zgodnie z następującymi  
normami i specyfikacjami technicznymi: EN  
62841-1:2015+AC:2015, EN 62841-4-3:2021+A11:2021,  
EN ISO 12100:2010, EN 55014-1:2017+A11:2020, EN  
55014-2:2015, EN IEC 63000:2018, EN ETSI 300 328  
v.2.2.2, EN 50663: 2017, ETSI EN 301 489-1 V2.2.3,  
ETSI EN 301 489-17 V3.2.4.

Jednostka notyfikowana: 0404, RISE SMP Svensk  
Maskinprovning AB, Box 7035, SE-750 07 Uppsala  
potwierdza zgodność z dyrektywą rady 2000/14/WE,  
procedura oceny zgodności: Załącznik VI.

Informacje dotyczące emisji hałasu podano w rozdziale  
*Dane techniczne na stronie 483.*

Huskvarna, 2021-12-01

Claes Losdal, Szef ds. Rozwoju Produkcji/Produkty  
ogrodowe, Husqvarna AB

Osoba odpowiedzialna za dokumentację techniczną



---

## Zarejestrowane znaki handlowe

---

Nazwa handlowa *Bluetooth®* i logo są zastrzeżonymi  
znakami towarowymi stanowiącymi własność *Bluetooth  
SIG, inc.*. Każde wykorzystanie takich znaków przez  
Husqvarna odbywa się w ramach umowy licencyjnej.

---

## ÍNDICE

---

Introdução.....	488	Resolução de problemas.....	506
Segurança.....	490	Transporte, armazenamento e eliminação.....	508
Montagem.....	497	Especificações técnicas.....	510
Funcionamento.....	498	Declaração de conformidade.....	512
Manutenção.....	504	Marcas comerciais registadas.....	513

---

## Introdução

---

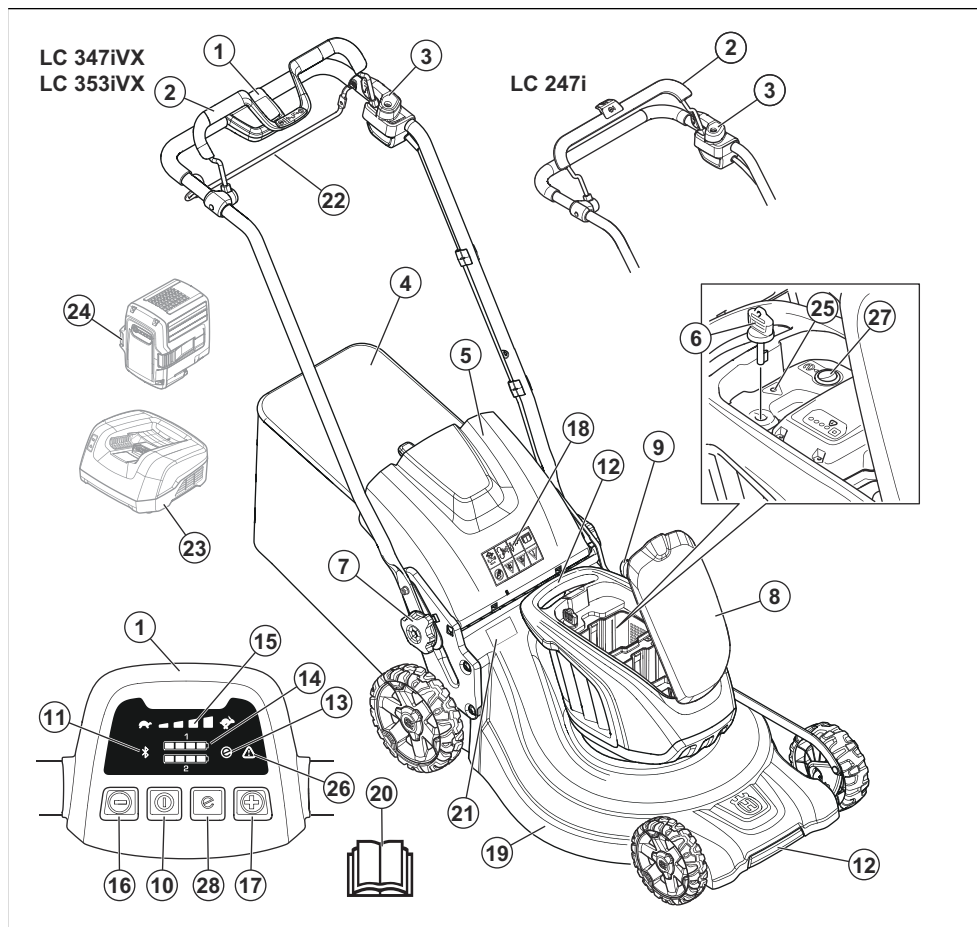
### Descrição do produto

O produto é um corta-relva giratório de controlo apeado. A relva é apanhada num coletor de relva. Remova o coletor de relva para recolher a descarga traseira da relva. Prenda um kit de trituração (acessório) para cortar a relva e torná-la fertilizante.

### Finalidade

Utilize o produto para cortar a relva. Não utilize o produto para outras tarefas.

## Vista geral do produto



- |   |  |
|---|--|
| <ol style="list-style-type: none"> <li>1. Painel de controlo (LC 347iVX, LC 353iVX)</li> <li>2. Manípulo de travão do motor</li> <li>3. Inibidor de arranque</li> <li>4. Coletor de relva</li> <li>5. Cobertura traseira</li> <li>6. Chave de segurança</li> <li>7. Botão do punho</li> <li>8. Cobertura da bateria</li> <li>9. Controlo da altura de corte</li> <li>10. Botão ON/OFF</li> <li>11. Indicador de tecnologia sem fios <i>Bluetooth</i><sup>®</sup></li> <li>12. Punhos de elevação</li> <li>13. Indicador SavE</li> <li>14. Indicador da bateria</li> </ol> | <ol style="list-style-type: none"> <li>15. Indicador do nível de velocidade (LC 347iVX, LC 353iVX)</li> <li>16. Botão de diminuição da velocidade (LC 347iVX, LC 353iVX)</li> <li>17. Botão de aumento da velocidade (LC 347iVX, LC 353iVX)</li> <li>18. Símbolos</li> <li>19. Cobertura de corte</li> <li>20. Manual do utilizador</li> <li>21. Placa de tipo</li> <li>22. Manípulo de direção (LC 347iVX, LC 353iVX)</li> <li>23. Carregador da bateria (acessório)</li> <li>24. Bateria (acessório)</li> <li>25. LED de erro (LC 247i)</li> <li>26. LED de erro (LC 347iVX, LC 353iVX)</li> </ol> |
|---|--|

27. Botão SavE (LC 247i)  
28. Botão SavE (LC 347iVX, LC 353iVX)

## Símbolos no produto



AVISO



Leia as instruções.



AVISO – Tenha cuidado com objetos projetados.



Mantenha as outras pessoas afastadas.



AVISO – Mantenha as mãos e os pés afastados das lâminas.



AVISO – Desligue a bateria antes da manutenção.



O produto ou a respetiva embalagem não são resíduos domésticos. Recicle o equipamento numa estação de reciclagem para equipamentos elétricos e eletrónicos.



O produto está em conformidade com as diretivas CE aplicáveis.



Emissão de ruído para a etiqueta ambiental de acordo com as diretivas e regulamentos da UE e do Reino Unido. O nível de potência sonora garantido do produto está especificado

em *Especificações técnicas na página 510* e na etiqueta.

## IPX1

O produto está protegido contra gotejamento.



Solte o manípulo de travão do motor para parar.



Código para leitura

**Nota:** Os restantes símbolos/autocolantes existentes no produto dizem respeito às exigências de homologação de alguns países.

## Etiqueta no produto



PERIGO – Mantenha as mãos e os pés afastados.

## Responsabilidade pelo produto

Como referido nas leis de responsabilidade pelo produto, não somos responsáveis por danos causados pelo nosso produto se:

- o produto tiver sido incorretamente reparado.
- o produto tiver sido reparado com peças que não sejam do fabricante ou que não sejam aprovadas pelo fabricante.
- o produto tiver um acessório que não seja do fabricante ou que não seja aprovado pelo fabricante.
- o produto não tiver sido reparado por um centro de assistência autorizado ou por uma autoridade aprovada.

## Segurança

### Definições de segurança

Os avisos, as precauções e as notas são utilizados para indicar partes especialmente importantes do manual.



**ATENÇÃO:** Utilizado no caso de existir risco de ferimento ou morte para o utilizador

ou transeuntes, se não forem respeitadas as instruções do manual.



**CUIDADO:** Utilizado se existir risco de danos para o produto, para outros materiais ou para a área adjacente, se não forem respeitadas as instruções do manual.

**Nota:** Utilizado para disponibilizar informações adicionais necessárias numa determinada situação.

## Avisos gerais de segurança do produto



**ATENÇÃO:** Leia todos os avisos de segurança, as instruções, as ilustrações e as especificações fornecidos com este produto. O incumprimento das instruções indicadas abaixo poderá resultar em choques elétricos, incêndios e/ou ferimentos graves.

**Guarde todos os avisos e instruções para referência futura.** O termo "produto" nos avisos refere-se a produtos (com fios) ligados à corrente elétrica ou a produtos (sem fios) de funcionamento a bateria.

### Segurança no local de trabalho

- **Mantenha a área de trabalho limpa e bem iluminada.** Áreas desarrumadas ou escuras convidam ao acidente.
- **Não utilize o produto em ambientes explosivos, tal como na presença de poeiras, gases ou líquidos inflamáveis.** O produto cria faíscas que podem inflamar poeiras ou gases.
- **Mantenha as crianças e restantes pessoas afastadas enquanto opera o produto.** As distrações podem fazê-lo perder o controlo.

### Segurança no manejo de eletricidade

- **As fichas dos produtos têm de corresponder à tomada. Nunca modifique a ficha de qualquer forma. Não utilize quaisquer fichas adaptadoras com produtos ligados à terra.** As fichas inalteradas e as tomadas correspondentes reduzem o risco de choque elétrico.
- **Evite o contacto corporal com superfícies ligadas à terra, tais como tubos, radiadores, fogões e frigoríficos.** Existe um risco acrescido de choque elétrico se o seu corpo estiver em contacto com a terra.
- **Não exponha os produtos à chuva ou a condições de humidade.** A entrada de água num produto aumenta o risco de choque elétrico.
- **Não danifique o fio elétrico. Nunca utilize o cabo elétrico para transportar, puxar ou desligar o produto. Mantenha o cabo elétrico afastado de fontes de calor, óleo, arestas afiadas ou de peças**

**em movimento.** Os fios elétricos danificados ou emaranhados aumentam o risco de choque elétrico.

- **Ao utilizar um produto no exterior, utilize uma extensão elétrica adequada para utilização em exteriores.** A utilização de um cabo elétrico adequado para utilização no exterior reduz o risco de choque elétrico.
- **Se não puder evitar utilizar um produto num local húmido, utilize uma fonte de alimentação com corta-circuito com um dispositivo diferencial residual (DDR).** A utilização de um RCD reduz o risco de choque elétrico.

### Segurança pessoal

- **Mantenha-se em alerta, tenha atenção ao que está a fazer e use o bom senso ao utilizar um produto. Não utilize um produto se estiver cansado ou sob a influência de drogas, álcool ou medicação.** Um momento de desatenção ao utilizar os produtos pode resultar em lesões pessoais graves.
- **Use equipamento de proteção pessoal. Use sempre proteção ocular.** A utilização de equipamento de proteção como máscara antipoeira, calçado de segurança antiderrapante, capacete ou protetores acústicos nas condições apropriadas irá reduzir os ferimentos pessoais.
- **Prevenção de arranque não intencional. Certifique-se de que o interruptor se encontra desligado antes de ligar o produto à fonte de alimentação e/ou à bateria, ou de o pegar ou transportar.** Transportar os produtos com o dedo no interruptor ou ligar os produtos à corrente elétrica com o interruptor ligado é um convite aos acidentes.
- **Remova qualquer chave de ajuste ou chave de porcas antes de ligar o produto.** Uma chave de porcas ou uma chave ligada a uma peça em rotação do produto pode resultar em lesões pessoais.
- **Não se debruce. Mantenha o equilíbrio e os pés sempre bem assentes.** Isto permite um melhor controlo do produto em situações inesperadas.
- **Vista-se adequadamente. Não use peças de roupa soltas ou jóias. Mantenha o cabelo e roupas longe de quaisquer peças em movimento.** Roupas soltas, jóias ou cabelo comprido podem ser apanhados nas peças em movimento.
- **Se forem fornecidos dispositivos para a ligação de equipamentos de extração e de recolha de poeiras, assegure-se de que estes estão ligados e são utilizados corretamente.** A utilização da recolha de poeiras pode reduzir os riscos relacionados com poeiras.
- **Siga sempre os princípios de segurança dos produtos, mesmo que já esteja familiarizado com os mesmos devido a utilização frequente.** Uma ação descuidada pode provocar ferimentos graves numa fração de segundo.

### Utilização e tratamento do produto

- **Não force o produto. Utilize o produto adequado para a sua aplicação.** O produto adequado

proporcionará melhores resultados e permitirá uma utilização em segurança para os fins a que se destina.

- **Não utilize o produto se o interruptor não ligar ou desligar.** Qualquer produto que não possa ser controlado com o interruptor é perigoso e tem de ser reparado.
- **Desligue a ficha da fonte de alimentação elétrica e/ou retire a bateria, se amovível, do produto antes de efetuar quaisquer ajustes, mudar acessórios ou guardar os produtos.** Estas medidas de prevenção reduzem o risco de ligar o produto acidentalmente.
- **Guarde os produtos que não estão a ser utilizados fora do alcance das crianças e não permita que qualquer pessoa não familiarizada com o produto ou com estas instruções utilize o produto.** Os produtos são perigosos nas mãos de utilizadores inexperientes.
- **Efetue a manutenção dos produtos e dos acessórios. Verifique a existência de bloqueios ou de falhas no alinhamento das peças móveis, danos nas peças e qualquer outra condição que possa afetar o funcionamento do produto. Se estiver danificado, repare o produto antes de o utilizar.** Muitos acidentes são causados por produtos com uma manutenção inadequada.
- **Mantenha as ferramentas de corte afiadas e limpas.** Ferramentas de corte com as zonas de corte afiadas e bem mantidas têm menos probabilidades de bloquear e são mais fáceis de controlar.
- **Use o produto, acessórios e brocas, etc. de acordo com estas instruções, tomando em consideração as condições de funcionamento e o trabalho a ser executado.** A utilização do produto para operações diferentes das previstas pode resultar numa situação perigosa.
- **Mantenha os punhos e as superfícies onde se segura secos, limpos e sem óleo nem massa lubrificante.** As superfícies onde se segura e os punhos escorregadios não permitem um controlo e um manuseamento seguros do produto em situações inesperadas.

## Assistência

- **Garanta que a manutenção do seu produto é efetuada por um técnico de reparações qualificado e que utilize apenas peças de substituição idênticas.** Desta forma, garante a manutenção da segurança do produto.
- **Nunca deve efetuar a manutenção de baterias danificadas.** A manutenção das baterias deve ser efetuada apenas pelo fabricante ou por prestadores de serviços autorizados.

## Utilização e manutenção da bateria

- **Recarregue a bateria apenas com o carregador especificado pelo fabricante.** Um carregador adequado para um tipo de bateria pode criar risco de incêndio quando usado com outra bateria.

- **Utilize produtos apenas com as baterias especificamente concebidas para os mesmos.** A utilização de quaisquer outras baterias pode criar risco de ferimentos e incêndio.
- **Quando a bateria não está a ser utilizada, mantenha-a afastada de outros objetos metálicos, como clips, moedas, chaves, pregos, parafusos ou outros objetos metálicos pequenos que possam fazer a ligação entre os dois terminais.** Provocar curto-circuitos nos terminais das baterias pode provocar queimaduras ou um incêndio.
- **Em condições extremas, é possível que o líquido da bateria verta; evite o contacto. Se ocorrer algum contacto accidental, lave com água. Se o líquido entrar em contacto com os olhos, procure assistência médica adicional.** O líquido vertido da bateria pode provocar irritações ou queimaduras.
- **Não utilize uma bateria ou uma ferramenta que se encontre danificada ou modificada.** As baterias danificadas ou modificadas podem apresentar um comportamento imprevisível que pode resultar em incêndios, explosões ou ferimentos graves.
- **Não exponha uma bateria ou uma ferramenta a fogo ou temperaturas excessivas.** A exposição a incêndios ou a temperaturas acima de 130 °C/265 °F pode provocar uma explosão.
- **Siga todas as instruções de carregamento e não carregue a bateria ou a ferramenta fora do intervalo de temperatura especificado nas instruções.** Os carregamentos impróprios ou a temperaturas fora do intervalo especificado podem danificar a bateria e aumentar o risco de incêndio.

## Avisos de segurança do corta-relva

- **Não utilize o corta-relva em más condições climáticas, principalmente quando existir risco de ocorrência de relâmpagos.** Isto diminui o risco de ser atingido por relâmpagos.
- **Inspeccione cuidadosamente a área quanto à existência de vida selvagem no local onde o corta-relva será utilizado.** A vida selvagem pode ser ferida pelo corta-relva durante o funcionamento.
- **Inspeccione minuciosamente a área onde o corta-relva será utilizado e retire todas as pedras, paus, fios, ossos e outros objetos estranhos.** Os objetos projetados podem causar ferimentos pessoais.
- **Antes de utilizar o corta-relva, efetue sempre uma verificação visual para ver se a lâmina e o conjunto de lâminas apresentam sinais de desgaste ou danos.** As peças gastas ou danificadas aumentam o risco de ferimentos.
- **Antes da utilização, verifique a existência de sinais de danos ou desgaste no cabo de extensão e de alimentação. Não utilize o corta-relva se o cabo elétrico estiver danificado ou gasto. Se o cabo elétrico estiver danificado ou gasto durante a utilização, desligue o corta-relva e não toque no cabo antes de o desligar da alimentação.** Um cabo de alimentação ou cabo de extensão danificado



pode resultar em choque elétrico, incêndio e/ou ferimentos graves.

- **Verifique frequentemente o desgaste ou a deterioração do coletor de relva.** Um coletor de relva gasto ou danificado pode aumentar o risco de ferimentos pessoais.
- **Mantenha as proteções no devido lugar. As proteções têm de estar em bom estado de funcionamento e corretamente montadas.** Uma proteção solta, danificada ou a funcionar incorretamente pode resultar em ferimentos pessoais.
- **Mantenha todas as entradas de ar de refrigeração livres de detritos.** Entradas de ar obstruídas e detritos podem resultar em sobreaquecimento ou risco de incêndio.
- **Durante o funcionamento do corta-relva, utilize sempre calçado antiderrapante e de proteção. Não utilize o corta-relva se estiver descalço ou com sandálias abertas.** Isto reduz a possibilidade de ferimentos nos pés devido ao contacto com a lâmina em movimento.
- **Durante a utilização do corta-relva, utilize sempre calças compridas.** A pele exposta aumenta a probabilidade de ferimentos causados por objetos projetados.
- **Não utilize o corta-relva em relva molhada. Caminhe, nunca corra.** Isto reduz o risco de escorregamento e queda, que pode resultar em ferimentos pessoais.
- **Não utilize o corta-relva em declives excessivamente íngremes.** Isto reduz o risco de perda de controlo, escorregamento e queda, que pode resultar em ferimentos pessoais.
- **Ao trabalhar em declives, certifique-se sempre da colocação dos pés, trabalhe sempre ao longo da face dos declives, nunca para cima ou para baixo, e tenha muito cuidado ao mudar de direção.** Isto reduz o risco de perda de controlo, escorregamento e queda, que pode resultar em ferimentos pessoais.
- **Tenha muito cuidado ao fazer marcha-atrás ou ao puxar o corta-relva para si. Preste atenção ao que o rodeia.** Isto reduz o risco de tropeçar durante o funcionamento.
- **Mantenha o cabo de alimentação longe das lâminas de corte.** Um cabo de alimentação danificado pode resultar em choque elétrico, incêndio e/ou ferimentos graves.
- **Desligue e retire a ficha da corrente elétrica se o cabo estiver emaranhado ou danificado.** Os cabos danificados ou emaranhados podem aumentar o risco de choque elétrico.
- **Não toque nas lâminas nem noutras peças móveis perigosas enquanto estas ainda estiverem em movimento.** Isto reduz o risco de ferimentos provocados por peças móveis.
- **Quando estiver a retirar material encravado ou a limpar o corta-relva, certifique-se de que todos os interruptores estão desligados, bem como o cabo de**

**alimentação.** O funcionamento inesperado do corta-relva pode resultar em ferimentos pessoais graves.

## Dispositivo diferencial residual

- Utilize um dispositivo diferencial residual com uma corrente de disparo máxima de 30 mA.

## Instruções de segurança gerais



**ATENÇÃO:** Leia as instruções de aviso que se seguem antes de utilizar o produto.

- Este produto é perigoso se for utilizado de forma incorreta ou se não o utilizador for cuidadoso. Podem ocorrer ferimentos graves ou mesmo morte se as instruções de segurança não forem respeitadas.
- Este produto produz um campo eletromagnético durante o funcionamento. Em determinadas circunstâncias, este campo pode interferir com o funcionamento de implantes médicos ativos ou passivos. Para diminuir o risco de ferimentos graves ou mortais, recomendamos que os portadores de implantes médicos consultem o seu médico e o fabricante do implante antes de utilizar este produto.
- Seja sempre cuidadoso e use o seu senso comum. Se não tiver a certeza sobre como utilizar o produto numa situação especial, pare e fale com o seu revendedor Husqvarna antes de continuar.
- Tenha em atenção que o utilizador é responsável pelos acidentes que incluam outras pessoas ou a respetiva propriedade.
- Mantenha o produto limpo. Certifique-se de que pode ler claramente os sinais e os autocolantes.
- Não permita a utilização do equipamento por crianças ou pessoas não familiarizadas com estas instruções. As normas locais podem restringir a idade do operador.
- Monitorize sempre a utilização do produto por pessoas com diminuição da capacidade física ou mental. Tem de estar sempre presente um adulto responsável.
- Não utilize o produto se estiver cansado, doente ou sob a influência de álcool, drogas ou medicamentos. Estes têm um efeito negativo na sua visão, atenção, capacidade de discernimento ou controlo físico.
- Não utilize o produto se este apresentar algum defeito.
- Não altere este produto e não o utilize se houver a possibilidade de ter sido alterado por outros.

## Segurança do trabalho



**ATENÇÃO:** Leia as instruções de aviso que se seguem antes de utilizar o produto.

- Utilize este produto apenas para cortar relva. Não é permitido utilizá-lo para outras tarefas.

- Use equipamento de proteção pessoal. Consulte *Equipamento de proteção pessoal na página 494*.
- Certifique-se de que sabe como desligar o motor rapidamente em caso de emergência.
- Não utilize o produto em condições de chuva ou de humidade. O risco de choque elétrico aumenta se entrar água no produto.
- Não utilize o produto, a menos que a lâmina e todas as coberturas estejam corretamente montadas. Uma lâmina montada incorretamente pode soltar-se e causar ferimentos pessoais.
- Certifique-se de que a lâmina não atinge objetos como pedras e raízes. Isto pode causar danos à lâmina e dobrar o eixo do motor. Um eixo dobrado provoca fortes vibrações e um elevado risco de a lâmina se soltar.
- Se a lâmina atingir um objeto ou ocorrerem vibrações, pare o produto imediatamente. Desligue o motor, rode a chave de segurança para a posição 0 e retire a bateria. Aguarde até que as peças móveis parem. Examine se o produto apresenta sinais de danos. Aperte peças soltas. Repare os danos e substitua as peças danificadas. Solicite a realização da reparação numa oficina autorizada.
- Nunca ligue o manípulo de travão do motor de modo permanente ao punho durante o arranque do motor.
- Coloque o produto numa superfície estável e plana e ligue-o. Certifique-se de que a lâmina não atinge o solo ou outros objetos.
- Mantenha-se sempre por trás do produto quando o operar.
- Mantenha todas as rodas no chão e as duas mãos sobre o punho quando utilizar o produto. Mantenha as mãos e os pés afastados das lâminas rotativas.
- Não incline o produto quando ligar o motor ou durante o funcionamento do produto.
- Tenha cuidado quando puxar o produto para trás.
- Nunca levante o produto quando ligar o motor. Se tiver de levantar o produto, desligue primeiro o motor, rode a chave de segurança para a posição 0 e retire a bateria.
- Não caminhe para trás quando operar o produto.
- Pare o motor quando for necessário inclinar o produto para transporte ou antes de se deslocar em áreas sem relva, por exemplo, caminhos em gravilha, pedra e asfalto.
- Não corra com o produto quando o motor está ligado. Caminhe sempre que operar o produto.
- Pare o motor antes de mudar a altura de corte. Nunca efetue ajustes com o motor ligado.
- Nunca deixe o produto fora de vista com o motor ligado. Pare o motor e certifique-se de que o equipamento de corte não roda.
- As vibrações no produto durante o funcionamento podem ser diferentes do valor de vibração declarado em *Especificações técnicas na página 510*. A diferença é causada por variações na forma como o produto é utilizado. Se utilizar o produto com frequência ou durante longos períodos de tempo,

faça pausas regularmente para evitar ferimentos provocados por vibrações.

## Instruções de segurança para funcionamento

### Equipamento de proteção pessoal



**ATENÇÃO:** Leia as instruções de aviso que se seguem antes de utilizar o produto.

- O equipamento de proteção pessoal não previne totalmente os ferimentos mas diminui a respetiva gravidade em caso de acidente. Obtenha ajuda junto do seu concessionário para selecionar o equipamento certo.
- Use botas ou sapatos antiderrapantes resistentes. Não use calçado aberto nem ande com os pés descalços.
- Use calças compridas e resistentes.
- Use luvas de proteção sempre que necessário, por exemplo, ao fixar, examinar ou limpar o equipamento de corte.
- Recomendamos a utilização de protetores acústicos.

### Dispositivos de segurança no produto



**ATENÇÃO:** Leia as instruções de aviso que se seguem antes de utilizar o produto.

- Não utilize o produto com dispositivos de segurança defeituosos.
- Não remova os dispositivos de segurança, nem os modifique.
- Verifique regularmente os dispositivos de segurança. Se os dispositivos de segurança estiverem defeituosos, fale com a sua oficina Husqvarna autorizada.

### Verificar a cobertura de corte

A cobertura de corte reduz as vibrações no produto e o risco de ferimentos causados pela lâmina.

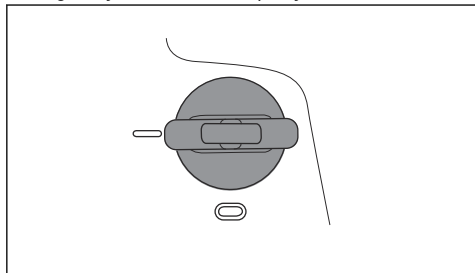
- Examine a cobertura de corte para se certificar de que não existem danos, como fissuras.

### Verificar a chave de segurança

A chave de segurança encontra-se por baixo da tampa da bateria. A chave de segurança liga a bateria que alimenta o motor.

- Ligue e desligue o motor para verificar o funcionamento da chave de segurança.

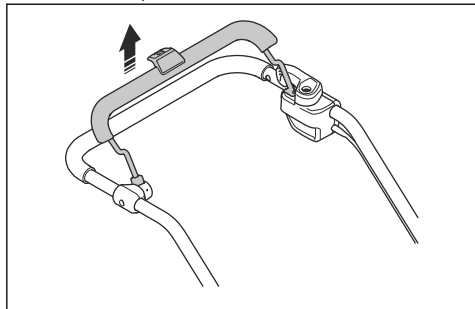
- Se a chave de segurança funcionar corretamente, o motor pode arrancar apenas quando a chave de segurança se encontra na posição 1.



### Verificar o punho do travão do motor

O manípulo de travão do motor para o motor. Quando soltar o manípulo de travão do motor, o motor para.

- Ligue o produto. Consulte *Funcionamento na página 498*.
- Solte o manípulo de travão do motor.



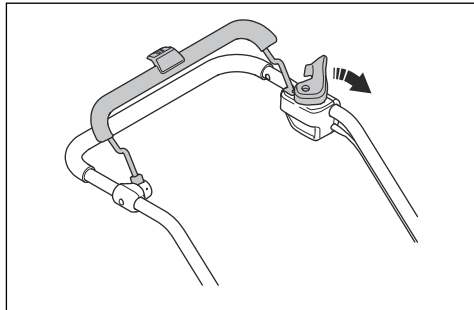
- Certifique-se de que o produto para. Se o motor não parar em 3 segundos, solicite o ajuste do travão do motor numa oficina Husqvarna autorizada.

### Verificar o inibidor de arranque

Verifique o inibidor de arranque para se certificar de que este impede o funcionamento do motor.

1. Empurre o manípulo de travão do motor no sentido da barra de direção. O inibidor de arranque para o movimento.

2. Empurre o inibidor de arranque para fora.



3. Solte o inibidor de arranque e certifique-se de que este volta à respetiva posição inicial.

### Segurança da bateria



**ATENÇÃO:** Leia as instruções de aviso que se seguem antes de utilizar o produto.

- Utilize baterias recarregáveis Husqvarna como fonte de alimentação apenas para produtos Husqvarna relacionados. Para evitar ferimentos, não utilize a bateria como fonte de alimentação para outros produtos.
- Não utilize baterias não recarregáveis.
- Risco de choque elétrico. Não ligue os terminais da bateria a chaves, moedas, parafusos ou outros metais. Caso contrário, pode provocar um curto-circuito da bateria.
- Não coloque objetos nas aberturas de ventilação da bateria.
- Mantenha a bateria afastada do sol, calor ou de chamas abertas. A bateria pode explodir e causar queimaduras e/ou queimaduras químicas.
- Mantenha a bateria afastada de chuva e condições de humidade.
- Mantenha a bateria afastada de micro-ondas e alta pressão.
- Não tente desmontar ou partir a bateria.
- Em caso de fuga da bateria, evite o contacto do líquido com a pele ou com os olhos. Em caso de contacto com o líquido, limpe a área com água abundante e procure assistência médica.
- Utilize a bateria do produto apenas quando a temperatura ambiente se encontrar entre os 5 °C e os 40 °C.
- Utilize o carregador de bateria apenas quando a temperatura ambiente se encontrar entre os 5 °C e os 40 °C.
- A bateria não carrega se a respetiva temperatura for superior a 50 °C.
- Não limpe a bateria ou o carregador com água. Consulte *Para limpar a bateria e o carregador da bateria na página 505*.

- Não utilize uma bateria danificada ou com defeito.
- Mantenha as baterias armazenadas afastadas de objetos metálicos como, por exemplo, pregos, moedas, joias.

## Segurança do carregador de bateria



**ATENÇÃO:** Leia as instruções de aviso que se seguem antes de utilizar o produto.

- Utilize carregadores de bateria QC para carregar apenas baterias de substituição Husqvarna.
- Risco de choque elétrico ou curto-circuito. Não coloque objetos nas aberturas de ventilação do carregador. Não tente desmontar o carregador da bateria. Não ligue os terminais do carregador a objetos metálicos. Utilize uma tomada elétrica aprovada.
- Este produto produz um campo eletromagnético durante o funcionamento. Em determinadas circunstâncias, este campo pode interferir com o funcionamento de implantes médicos ativos ou passivos. Para diminuir o risco de condições que podem causar ferimentos ou morte, recomendamos que os portadores de implantes médicos consultem o seu médico e o fabricante do implante antes de utilizar este produto.
- Certifique-se regularmente de que o cabo de alimentação do carregador da bateria não está danificado nem apresenta fissuras.
- Não utilize o cabo de alimentação para levantar o carregador da bateria. Para desligar o carregador da bateria de uma tomada elétrica, puxe a ficha. Não puxe o cabo de alimentação.
- Mantenha o cabo de alimentação e os cabos de extensão afastados de água, de óleo e de arestas afiadas. Certifique-se de que o cabo não fica entalado em portas, cercas ou equivalente. Isto pode fazer com que o carregador fique sob tensão.
- Não limpe o carregador da bateria com água.
- O carregador da bateria pode ser utilizado por crianças a partir dos 8 anos de idade e por pessoas com capacidades físicas, sensoriais ou mentais reduzidas, ou falta de experiência e conhecimentos, desde que as mesmas se encontrem sob supervisão ou tenham recebido instruções acerca da utilização segura do carregador da bateria e compreendam os perigos envolvidos. As crianças não devem brincar com o carregador da bateria. As tarefas de limpeza e manutenção a cargo do utilizador não devem ser efetuadas por crianças sem a devida supervisão.
- Não carregue baterias não recarregáveis no carregador da bateria.
- Não utilize o carregador da bateria próximo de materiais inflamáveis ou materiais que possam

provocar corrosão. Não cubra o carregador da bateria. Em caso de fumo ou fogo, desligue o carregador da bateria da tomada.

- Não utilize um carregador da bateria que esteja com defeito ou danificado.
- Carregue a bateria apenas em espaços interiores com boa ventilação e sem exposição à luz solar. Não carregue a bateria em condições de humidade.

## Instruções de segurança para manutenção



**ATENÇÃO:** Leia as instruções de aviso que se seguem antes de utilizar o produto.

- Para evitar um arranque acidental durante a manutenção, rode a chave de segurança para a posição 0 e retire a bateria. Aguarde pelo menos 5 segundos antes de começar a manutenção.
- Efetue apenas os trabalhos de manutenção indicados neste manual do operador. As intervenções maiores e as reparações profissionais têm de ser efetuadas por uma oficina autorizada. Para mais informações, contacte a sua oficina autorizada.
- Efetue os trabalhos de manutenção corretamente para aumentar a vida útil do produto e reduzir o risco de acidentes.
- Substitua as peças danificadas, gastas ou partidas. Utilize peças sobresselentes originais do fabricante. Outras peças sobresselentes podem causar danos no produto e aumentar o risco de acidentes.
- Para evitar a ocorrência de ferimentos, não remova os dispositivos de segurança, nem os modifique.
- Calce luvas resistentes quando utilizar o equipamento de corte. A lâmina é muito afiada e pode facilmente provocar cortes.
- Mantenha as extremidades cortantes afiadas e limpas para garantir um desempenho melhor e mais seguro.
- Solicite à sua oficina autorizada a inspeção regular do produto e a realização dos ajustes e reparações necessários.
- Cumpra as instruções relativas à substituição dos acessórios. Utilize apenas os acessórios do fabricante.
- Quando não estiverem em funcionamento, mantenha o produto, a bateria e carregador da bateria afastados num local seco, interior e fechado à chave. Certifique-se de que as crianças e as pessoas não autorizadas não conseguem ter acesso ao produto, à bateria ou ao carregador da bateria.

# Montagem

## Introdução



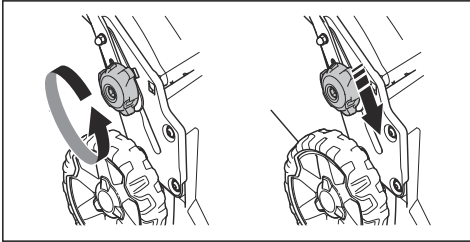
**ATENÇÃO:** Antes de montar o produto, leia o capítulo sobre segurança.



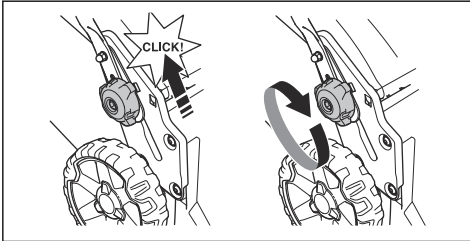
**ATENÇÃO:** Para evitar um arranque acidental durante a montagem, rode a chave de segurança para a posição 0, retire a bateria e aguarde pelo menos 5 segundos.

## Ajustar o punho

1. Desaperte os manípulos inferiores.
2. Desloque os botões para a extremidade inferior das ranhuras, dos lados esquerdo e direito do produto.



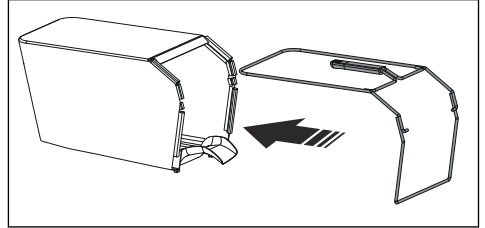
3. Defina a altura do punho para uma das 2 posições disponíveis.
4. Desloque os botões para cima em direção ao punho, até pararem e ouvir um clique.



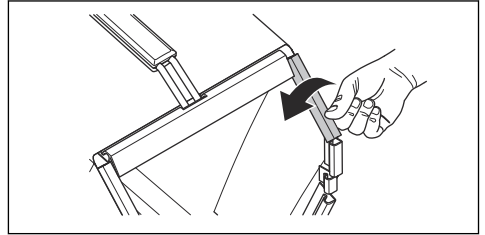
5. Aperte os botões totalmente.

## Montar o coletor de relva

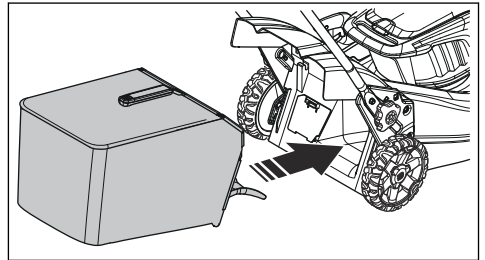
1. Coloque a estrutura do coletor de relva no saco de relva com a parte rígida do saco no fundo. Mantenha o punho da estrutura na parte superior do saco de relva.



2. Fixe a secção inferior da estrutura do coletor de relva na ranhura da parte inferior do mesmo.
3. Fixe o saco de relva na estrutura do coletor de relva com os grampos.



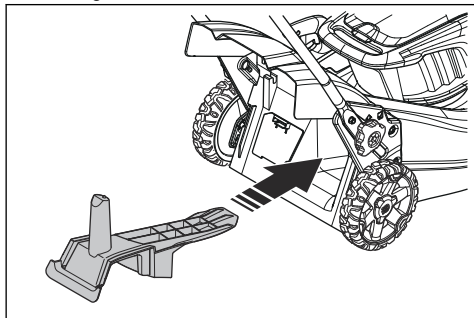
4. Levante a cobertura traseira.
5. Prenda o coletor de relva à extremidade superior do chassi.
6. Coloque a parte inferior do coletor de relva no canal de descarga da relva.



## Montar o tampão de trituração (acessório)

1. Levante a cobertura traseira e retire o coletor de relva.

2. Coloque o tampão de trituração no canal de descarga.



3. Substitua a lâmina pela lâmina de trituração incluída no kit de trituração. Consulte *Para substituir a lâmina na página 505*.

---

## Funcionamento

---

### Introdução



**ATENÇÃO:** Antes de utilizar o produto, tem ler e compreender o capítulo sobre segurança.

### Husqvarna Connect

A Husqvarna Connect é uma aplicação gratuita para o seu dispositivo móvel. A aplicação Husqvarna Connect disponibiliza funções alargadas para o seu produto Husqvarna:

- Informações alargadas sobre o produto.
- Informações sobre, e ajuda relacionada com peças e manutenção do produto.

### Começar a utilizar o Husqvarna Connect

1. Transfira a aplicação Husqvarna Connect para o seu dispositivo móvel.
2. Registe-se na aplicação Husqvarna Connect.
3. Siga os passos das instruções na aplicação Husqvarna Connect para ligar e registar o produto.

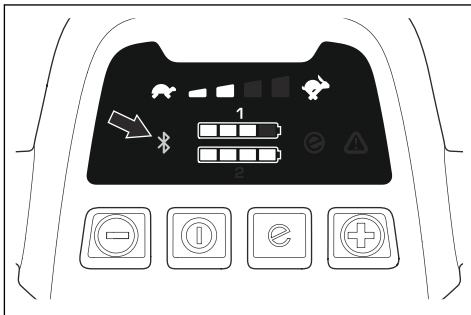
**Nota:** A aplicação Husqvarna Connect não está disponível para transferência em todos os mercados. Para mais informações, contacte o revendedor com assistência técnica.

---

### Informações sobre Bluetooth® (LC 347iVX, LC 353iVX)

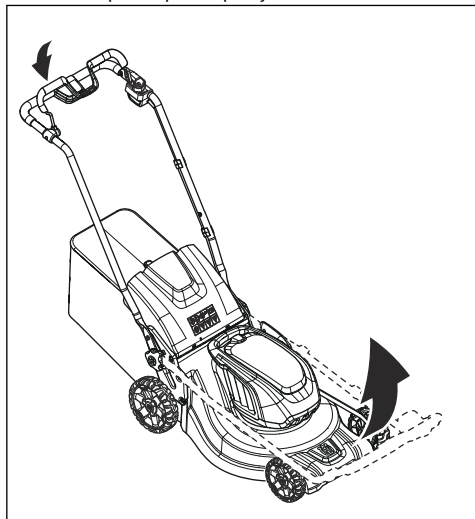
#### Tecnologia sem fios Bluetooth®

O símbolo da tecnologia sem fios *Bluetooth®* acende-se quando o seu dispositivo móvel é ligado ao produto.

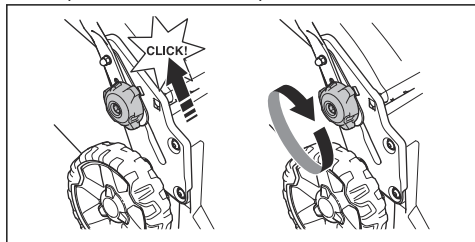


## Para colocar o produto na posição de funcionamento

1. Dobre o punho para a posição vertical.



2. Desloque os botões para cima em direção ao punho, até pararem e ouvir um clique.



3. Aperte os botões totalmente.



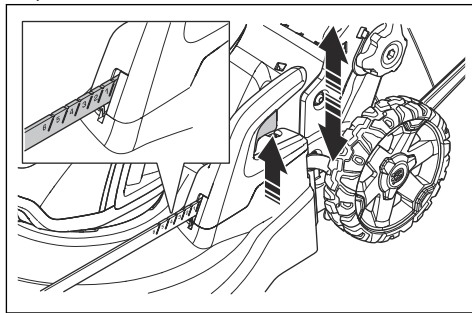
**ATENÇÃO:** Não utilize o produto a não ser que o punho esteja totalmente dobrado para cima e colocada numa das posições de altura aplicáveis. Consulte *Ajustar o punho* na página 497.

## Definir a altura de corte

A altura de corte pode ser ajustada em 6 níveis.

1. Desloque a alavanca da altura de corte para baixo para diminuir a altura de corte.

2. Desloque a alavanca da altura de corte para cima para aumentar a altura de corte.



**CUIDADO:** Não regule a altura de corte demasiado baixa. As lâminas podem entrar em contacto com o solo se a superfície do relvado não estiver nivelada.

## Bateria



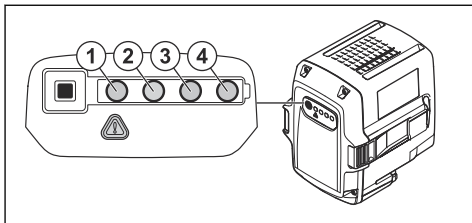
**ATENÇÃO:** Antes de utilizar a bateria, tem de ler e compreender o capítulo sobre segurança. Também tem de ler e compreender o manual do operador da bateria e do carregador da bateria.

Mantenha a bateria e o respetivo carregador de bateria a temperaturas ambiente corretas.

	Temperatura ambiente
Utilização da bateria	5 °C - 40 °C
Carregamento da bateria	5 °C - 40 °C

## Estado da bateria

O visor indica a capacidade restante da bateria e a existência de problemas com a mesma. A capacidade da bateria é apresentada durante 5 segundos depois de desligar o produto ou se pressionar o botão indicador da bateria. O símbolo de aviso na bateria acende-se quando ocorre um erro. Consulte o capítulo *Bateria* na página 506.



Luzes LED	Estado da bateria
Todos os LED acesos	Carga completa (75%-100%)
LED 1, LED 2 e LED 3 acesos	A bateria tem uma carga de 50%-75%
LED 1 e LED 2 acesos	A bateria tem uma carga de 25%-50%
LED 1 aceso	A bateria tem uma carga de 0%-25%.
LED 1 intermitente	A bateria está descarregada. Carregue a bateria.

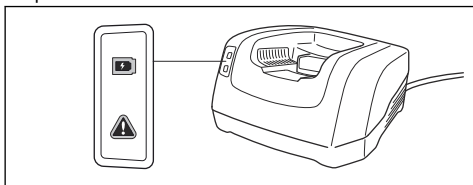
## Carregar a bateria

Carregue a bateria antes da primeira utilização. A bateria tem apenas 30% de carga quando é entregue ao cliente.

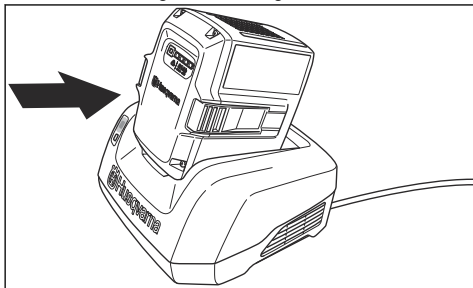
**Nota:** O carregador da bateria tem de ser ligado à tensão e à frequência especificadas na etiqueta de tipo.

A bateria não carrega se a sua temperatura for superior a 50 °C. O carregador da bateria diminui a temperatura da bateria antes de começar a carregar.

1. Ligue uma extremidade do cabo de alimentação do carregador da bateria à tomada do carregador da bateria.
2. Ligue a outra extremidade do cabo de alimentação do carregador da bateria a uma tomada elétrica com ligação à terra. O LED do carregador da bateria pisca a verde uma vez.



3. Coloque a bateria no carregador da bateria. A luz verde do carregador acende-se se a bateria estiver corretamente ligada ao carregador da bateria.



4. A bateria está totalmente carregada quando todos os LED se acenderem. Carregue a bateria no máximo durante 24 horas.
5. Para desligar o carregador da bateria da tomada, retire a ficha e não o cabo de alimentação.
6. Retire a bateria do carregador da bateria.

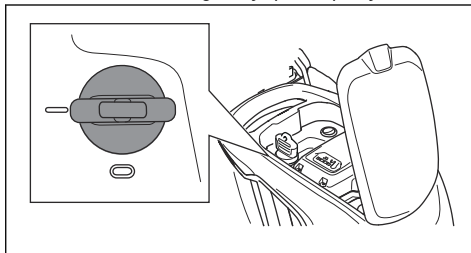
## Estado de carregamento da bateria

Uma bateria de íões de lítio Husqvarna pode ser carregada ou utilizada em todos os níveis de carga. A bateria não fica danificada. Uma bateria completamente carregada não perde a sua carga mesmo que seja deixada no carregador.

Ecrã LED	Estado de carga
LED 1 intermitente	0%-25%
LED 1 aceso, LED 2 intermitente	25%-50%
LED 1 e LED 2 acesos, LED 3 intermitente	50%-75%
LED 1, LED 2 e LED 3 acesos, LED 4 intermitente	75%-100%
LED 1, LED 2, LED 3 e LED 4 acesos	Totalmente carregada

## Ligar o produto (LC 247i)

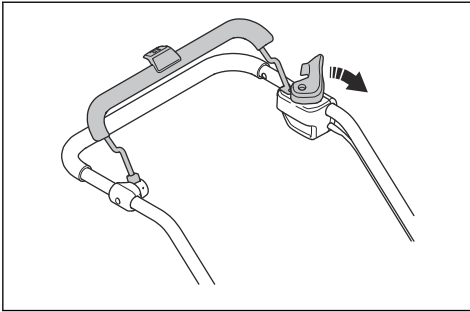
1. Abra a tampa da bateria.
2. Coloque uma bateria carregada num dos suportes da bateria. Para prolongar o tempo de funcionamento, coloque uma segunda bateria carregada no outro suporte da bateria.
3. Rode a chave de segurança para a posição 1.



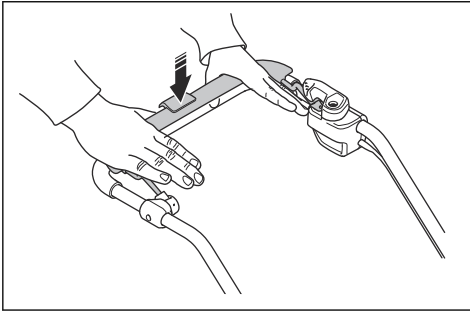
4. Mantenha-se atrás do produto.



5. Desaperte o inibidor de arranque.

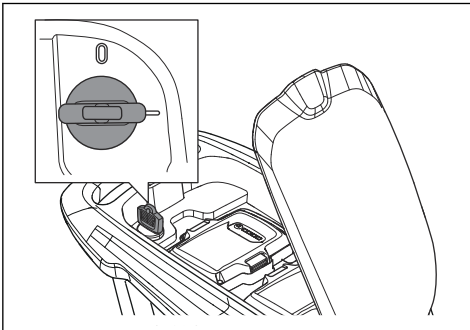


6. Empurre o manípulo de travão do motor no sentido da barra de direção.



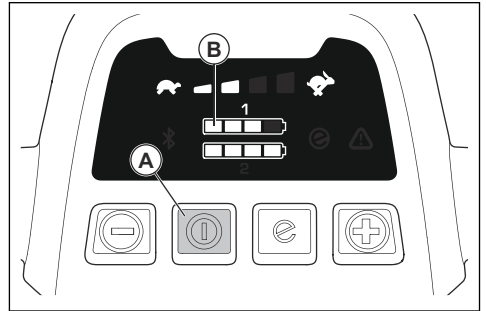
## Ligar o produto (LC 347iVX, LC 353iVX)

1. Abra a tampa da bateria.
2. Coloque uma bateria carregada num dos suportes da bateria. Para prolongar o tempo de funcionamento, coloque uma segunda bateria carregada no outro suporte da bateria.
3. Rode a chave de segurança para a posição 1.

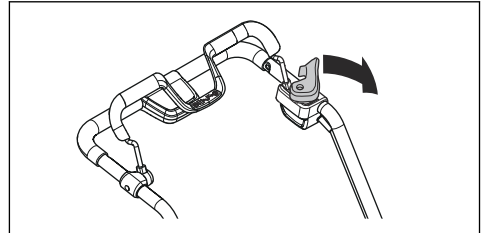


4. Mantenha-se atrás do produto.

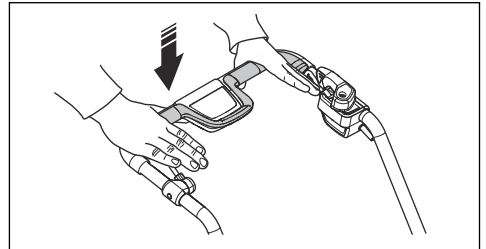
5. Prima o botão ON/OFF (A) no painel de controlo. O visor acende-se. O indicador da bateria (B) apresenta a carga das 2 baterias. O número da bateria em funcionamento é apresentado junto ao indicador de bateria. Para os modelos LC 347iVX, LC 353iVX, o visor também apresenta a velocidade definida.



6. Desaperte o inibidor de arranque.

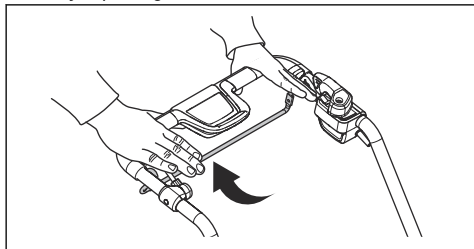


7. Empurre o manípulo de travão do motor no sentido da barra de direção.

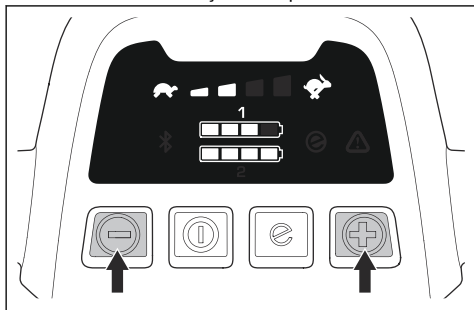


## Utilizar a transmissão das rodas LC 347iVX, LC 353iVX

- Puxe o manípulo de direção no sentido da barra de direção para ligar a transmissão.



- Prima + e - no painel de controlo para definir a velocidade de condução em 4 passos.

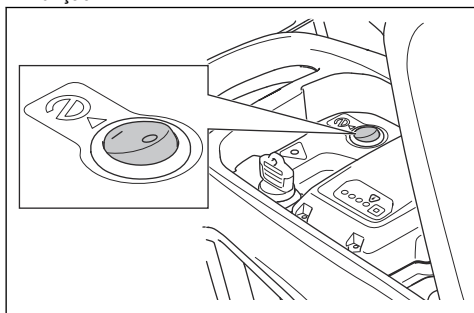


- Solte o manípulo de direção para desengatar a transmissão, por exemplo quando se aproximar de um obstáculo.

## Utilizar a função SaveE™ (LC 247i)

O produto inclui uma função de poupança da bateria (SaveE™), que permite uma utilização mais prolongada.

- Coloque o botão SaveE™ na posição 1 para iniciar a função.



- Coloque o botão SaveE™ na posição 0 para parar a função.

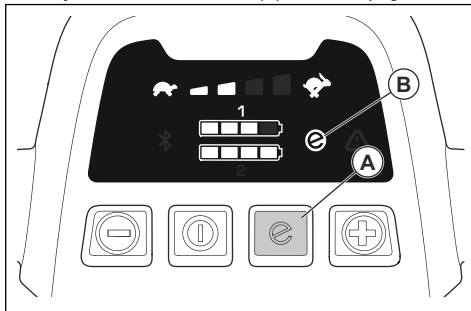
**Nota:** A função SaveE™ é desativada automaticamente se as condições do solo exigirem

uma maior potência. A função SaveE™ volta a ativar-se automaticamente quando as condições do solo assim o permitirem.

## Utilizar a função SaveE™ (LC 347iVX, LC 353iVX)

O produto inclui uma função de poupança da bateria (SaveE™), que permite uma utilização mais prolongada.

1. Prima o botão SaveE™ (A) para ativar a função. O símbolo SaveE™ (B) no visor acende-se.
2. Prima novamente o botão SaveE™ para desativar a função. O símbolo SaveE™ (B) no visor apaga-se.



**Nota:** A função SaveE™ é desativada automaticamente se as condições do solo exigirem uma maior potência. A função SaveE™ volta a ativar-se automaticamente quando as condições do solo assim o permitirem.

## Função de carga elevada

Quando o produto estiver a cortar relva alta ou molhada, o motor aumenta automaticamente as rpm. O motor regressa ao modo padrão quando não houver carga elevada.

## Reinício automático

Durante o funcionamento, a lâmina e o motor podem parar temporariamente devido a obstáculos, tais como obstruções de relva por baixo da cobertura de corte. Se isto ocorrer e mantiver o punho do travão do motor pressionado, o produto tenta reiniciar automaticamente. Se o produto não reiniciar em 5 segundos, pode ser necessário limpar a parte inferior da cobertura de corte. Consulte *Limpar o produto na página 505*.



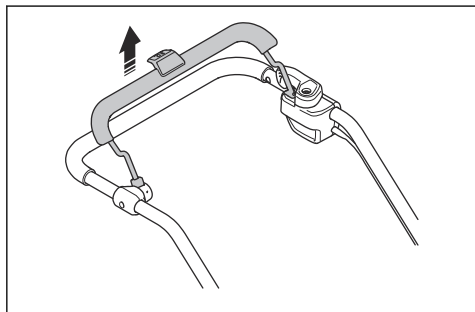
**ATENÇÃO:** Antes de verificar a cobertura de corte, solte o punho do travão do motor, rode a chave de segurança para a posição 0, retire a bateria e aguarde, no mínimo, 5 segundos. Existe o risco de ferimentos se o obstáculo for removido e o produto arrancar acidentalmente.

## Desligar o produto (LC 247i)

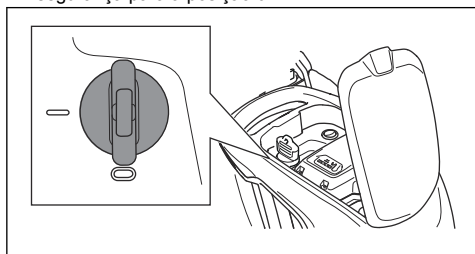


**ATENÇÃO:** Rode a chave de segurança para a posição 0 antes de deixar o produto fora de vista.

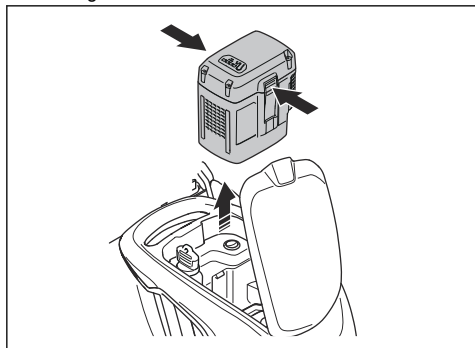
1. Solte o manípulo de travão do motor para parar o motor.



2. Abra a tampa da bateria e rode a chave de segurança para a posição 0.



3. Para retirar a bateria, prima os 2 botões de desengate e retire a bateria.



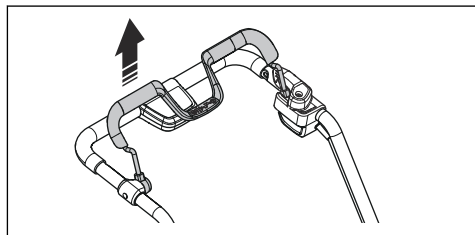
4. Carregue a bateria se estiver fraca. Para mais informações, consulte *Carregar a bateria na página 500*.

## Desligar o produto (LC 347iVX, LC 353iVX)

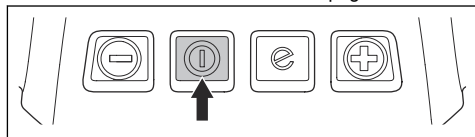


**ATENÇÃO:** Rode a chave de segurança para a posição 0 antes de deixar o produto fora de vista.

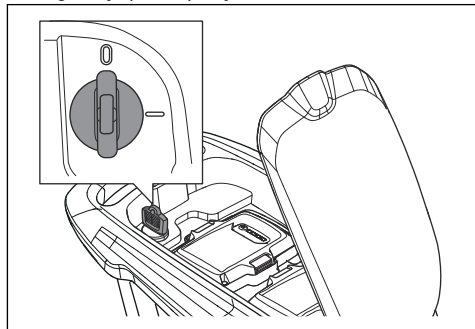
1. Solte o manípulo de travão do motor para parar o motor.



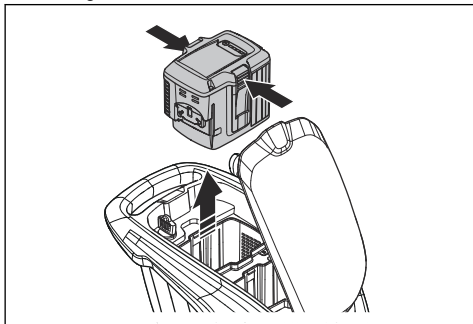
2. Prima o botão ON/OFF no painel de controlo. Todas as luzes LED e símbolos no visor apagam-se.



3. Abra a tampa da bateria e rode a chave de segurança para a posição 0.



4. Para retirar a bateria, prima os 2 botões de desengate e retire a bateria.



5. Carregue a bateria se estiver fraca. Para mais informações, consulte *Carregar a bateria na página 500*.

**Nota:** O produto é automaticamente desligado se não o utilizar durante alguns minutos. Para ligar novamente o produto, consulte *Ligar o produto (LC 347iVX, LC 353iVX) na página 501*.

## Para obter bons resultados

- Utilize sempre uma lâmina bem afiada. Uma lâmina romba produz um resultado irregular e a superfície de corte da relva fica amarela. Uma lâmina afiada também gasta menos energia que uma lâmina romba.

- Não corte mais do que  $\frac{1}{3}$  do comprimento da relva. Corte primeiro com a altura de corte alta. Examine o resultado e reduza a altura de corte para um nível aplicável. Caso a relva esteja muito comprida, avance lentamente e corte duas vezes, se necessário.
- Corte em diferentes direções de cada vez, para evitar a formação de linhas no relvado.
- Mantenha a cobertura de corte limpa. A acumulação de relva e sujidade no lado interior da cobertura de corte pode diminuir o resultado de corte. Consulte *Limpar o produto na página 505*.

## Cortar relva sem coletor de relva ou tampão de trituração

- Levante a cobertura traseira e retire o coletor de relva.
- Se instalados, retire o tampão de trituração e a lâmina de trituração.
- Feche a cobertura traseira antes de utilizar o produto.

Quando utilizar o produto, a relva cortada vai para baixo da cobertura traseira.

# Manutenção

## Introdução



**ATENÇÃO:** Antes de efetuar a manutenção, tem de ler e compreender o capítulo sobre segurança.

É necessária formação especial para realizar qualquer tarefa de manutenção ou reparação. Garantimos a disponibilidade de reparações e manutenção profissionais. Se o seu revendedor não for uma oficina autorizada, pergunte-lhes onde se situa a oficina autorizada mais próxima.

Para obter informações mais detalhadas, consulte [www.husqvarna.com](http://www.husqvarna.com).

## Esquema de manutenção

Os intervalos de manutenção são calculados a partir da utilização diária do produto. Os intervalos são alterados se o produto não for utilizado diariamente.

Para manutenção identificada com \* consulte as instruções em *Segurança na página 490*.

	A cada utilização	Mensalmente	A cada estação
Efetuar uma inspeção geral	X		
Limpar o produto	X		
Verificar o inibidor de arranque*	X		
Certificar-se de que os dispositivos de segurança do produto não estão danificados*	X		

	A cada utilização	Mensalmente	A cada estação
Examinar o equipamento de corte	X		
Examinar a cobertura de corte*	X		
Verificar o manípulo de travão do motor*	X		
Certificar-se de que o botão ON/OFF funciona corretamente e não está avariado	X		
Verificar a existência de danos na bateria	X		
Verificar a carga da bateria	X		
Certificar-se de que os botões de libertação da bateria funcionam corretamente e que a bateria bloqueia no produto	X		
Verificar a existência de danos no carregador da bateria e certificar-se de que funciona corretamente.		X	
Verificar as ligações entre a bateria e o produto. Verificar também a ligação entre a bateria e o carregador da bateria.			X

## Para efetuar uma inspeção geral

- Certifique-se de que as porcas e os parafusos do produto estão apertados.
- Certifique-se de que os cabos no produto não estão numa posição suscetível a danos.

## Limpar o produto

- Limpe os componentes plásticos com um pano seco e limpo.
- Não utilize água para limpar o produto. A água pode entrar na bateria ou no motor, provocando um curto-circuito ou danos no produto.
- Não utilize uma máquina de lavar à pressão para limpar o produto.
- Não verta água diretamente no motor.
- Utilize uma escova para remover folhas, relva e sujidade.

## Para limpar a bateria e o carregador da bateria



**ATENÇÃO:** Não limpe a bateria ou o carregador com água.

- Certifique-se de que a bateria e o carregador da bateria estão limpos e secos antes de colocar a bateria no carregador da bateria.
- Limpe os terminais da bateria com ar comprimido ou com um pano macio e seco.
- Limpe as superfícies da bateria e o carregador da bateria com um pano macio e seco.

## Para examinar o equipamento de corte



**ATENÇÃO:** Para evitar um arranque acidental, rode a chave de segurança para a posição 0, retire a bateria e aguarde pelo menos 5 segundos.



**ATENÇÃO:** Use luvas de proteção quando realizar a manutenção do equipamento de corte. A lâmina é muito afiada e pode facilmente provocar cortes.

1. Examine se o equipamento de corte está danificado ou se apresenta fissuras. Substitua sempre um equipamento de corte danificado.
2. Olhe para a lâmina para verificar se está danificada ou romba.

**Nota:** É necessário estabilizar a lâmina depois de ser afiada. Afie, substitua e estabilize a lâmina numa oficina especializada. Se atingir um obstáculo que faça o produto parar, substitua a lâmina danificada. Um centro de assistência deve avaliar se a lâmina pode ser afiada ou se tem de ser substituída.

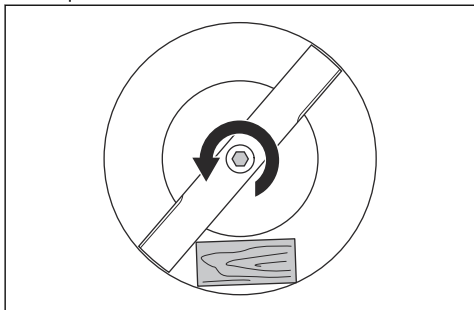
## Para substituir a lâmina

Consulte *Especificações técnicas* na página 510 para saber qual o tipo de lâmina correto.

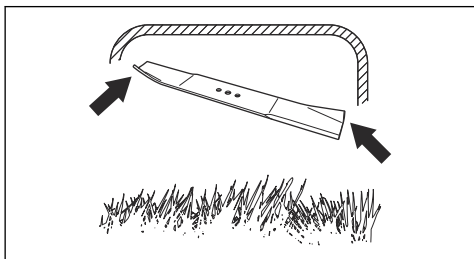


**ATENÇÃO:** Bloqueie a lâmina com um bloco de madeira para evitar ferimentos nos dedos quando substituir a lâmina. A lâmina pode ser deslocada quando o motor está desligado e os dedos podem ficar presos entre a lâmina e as peças fixas.

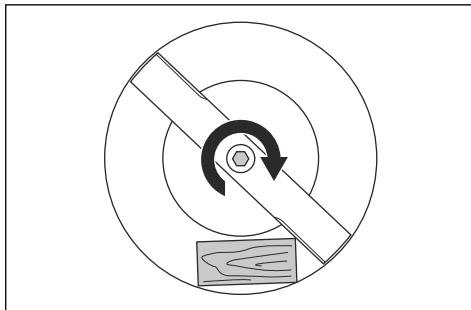
1. Bloquee a lâmina com um bloco de madeira.



2. Remova o parafuso da lâmina.  
3. Retire a lâmina.  
4. Examine o suporte e o parafuso da lâmina para verificar se existem danos.  
5. Examine o eixo do motor para se certificar de que não se encontra dobrado.  
6. Quando colocar a lâmina nova, aponte as extremidades inclinadas da lâmina na direção da cobertura de corte.



7. Certifique-se de que a lâmina está alinhada com a parte central do eixo do motor.  
8. Bloquee a lâmina com um bloco de madeira. Prensione a arruela de pressão e aperte o parafuso e a arruela com um binário de 23-28 Nm.



9. Faça rodar a lâmina com a mão de modo a assegurar-se de que roda livremente.



**ATENÇÃO:** Use luvas resistentes. A lâmina é muito afiada e pode facilmente provocar cortes.

10. Ligue o produto para testar a lâmina. Se a lâmina não estiver corretamente ligada, o produto vibra ou o resultado de corte não é satisfatório.

## Resolução de problemas

### Bateria

LED na bateria	Causa	Solução
LED verde intermitente.	A tensão da bateria é baixa.	Carregue a bateria. Consulte <i>Carregar a bateria na página 500</i> .

LED na bateria	Causa	Solução
LED de erro intermitente.	A bateria está fraca.	Carregue a bateria. Consulte <i>Carregar a bateria na página 500</i> .
	A temperatura no ambiente de trabalho é demasiado elevada ou demasiado baixa.	Utilize a bateria a temperaturas entre 5 °C e 40 °C.
	Sobretensão.	Certifique-se de que tensão da rede elétrica corresponde à indicada na etiqueta de tipo no produto.  Retire a bateria do carregador da bateria. Aguarde 5 segundos e tente carregar a bateria novamente. Se o problema persistir, contacte uma oficina autorizada.
LED de erro aceso.	A diferença entre as células é demasiado elevada (1 V).	Contacte uma oficina autorizada.

## Carregador da bateria

LED no carregador da bateria	Causa	Solução
LED de erro intermitente.	A temperatura no ambiente de trabalho é demasiado elevada ou demasiado baixa.	Utilize o carregador de bateria em ambientes com temperaturas entre 5 °C e 40 °C.
LED de erro aceso.		Contacte uma oficina autorizada.

## Corta-relva

O indicador de aviso (LED de erro) encontra-se por baixo da tampa da bateria ((LC 247i)) ou no painel de controlo ((LC 347iVX, LC 353iVX)).

Problema	LED de erro (número de intermitências)	Causa	Solução
LED de erro intermitente. O produto não funciona corretamente.	3	A lâmina está bloqueada.	Rode a chave de segurança para a posição 0 para evitar um arranque acidental. Retire a bateria e aguarde, no mínimo, 5 segundos. Retire possíveis obstáculos e certifique-se de que a lâmina consegue rodar livremente. Se o problema persistir, contacte uma oficina autorizada.
	5	A velocidade do motor desce demasiado e o motor para.	Aumente a altura de corte. Consulte <i>Definir a altura de corte na página 499</i> .
	6 <sup>77</sup>	As rodas ou a transmissão estão bloqueadas.	Rode a chave de segurança para a posição 0 para evitar um arranque acidental. Retire a bateria e aguarde, no mínimo, 5 segundos. Retire possíveis obstáculos e certifique-se de que as rodam conseguem rodar livremente. Se o problema persistir, contacte uma oficina autorizada.
	10	O controlo do motor está demasiado quente.	Desligue o motor e aguarde até arrefecer.
LED de erro intermitente. O produto para.	0	Avaria do conector da bateria.	Examine o conector da bateria.
	3	Existe uma sobrecarga no motor.	Aumente a altura de corte. Consulte <i>Definir a altura de corte na página 499</i> .
	8	A bateria está fraca.	Carregue a bateria. Consulte <i>Carregar a bateria na página 500</i> .
	9	Bateria com erro ou sem sinal.	Coloque a bateria no produto corretamente e examine o conector da bateria. Se o LED de erro da bateria ficar intermitente. Consulte <i>Bateria na página 506</i> .
	12	Procedimento de arranque incorreto. O manípulo de travão do motor foi engatado antes de o motor arrancar.	Solte o manípulo de travão do motor e aguarde cerca de 5 segundos. Empurre novamente o manípulo de travão do motor para baixo para ligar o produto.
Outros erros.	Se ocorrerem outros erros, rode a chave de segurança para a posição 0, retire a bateria e contacte uma oficina autorizada.		

## Transporte, armazenamento e eliminação

### Introdução



**ATENÇÃO:** Para evitar um arranque acidental durante o transporte, rode a chave de segurança para a posição "0", retire a bateria e aguarde pelo menos 5 segundos.

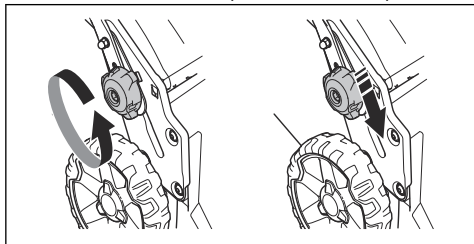
### Colocar o produto na posição de transporte

1. Desaperte os manípulos inferiores.

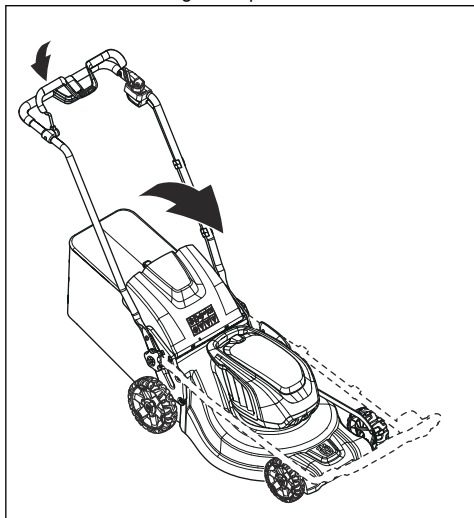
<sup>77</sup> LC 347iVX, LC353iVX



2. Desloque os botões para a extremidade inferior das ranhuras, dos lados esquerdo e direito do produto.



3. Dobre a barra do guiador para a frente.



4. Retire o coletor de relva.

## Transporte

- Os requisitos da legislação sobre mercadorias perigosas aplicam-se às baterias de íões de lítio incluídas.
- Para um transporte comercial, é necessário cumprir os requisitos especiais na embalagem e nas etiquetas.
- Quando preparar o produto para transporte, certifique-se de que cumpre os regulamentos sobre mercadorias perigosas. Podem aplicar-se normas locais.
- Retire sempre a bateria para transporte.
- Coloque fita adesiva nos conectores da bateria e certifique-se de que a bateria não pode mover-se durante o transporte.
- Prenda o produto durante o transporte.

## Armazenamento

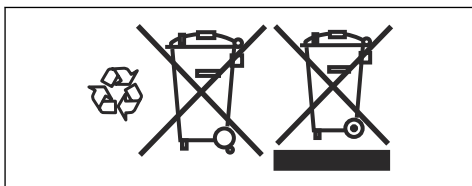
- Antes do armazenamento, deixe o produto arrefecer.
- Retire sempre a bateria durante o armazenamento.

- Para evitar acidentes, certifique-se de que a bateria não está ligada ao produto durante o armazenamento.
- Armazene o carregador da bateria apenas em espaços interiores secos.
- Armazene a bateria e o carregador da bateria num local seco, sem humidade nem gelo.
- Desligue a bateria do carregador da bateria durante o armazenamento.
- Não armazene a bateria num local onde possa haver electricidade estática. Não armazene a bateria numa caixa metálica.
- Armazene o produto num local onde a temperatura ambiente se encontre entre  $-10\text{ }^{\circ}\text{C}$  e  $40\text{ }^{\circ}\text{C}$ .
- Armazene a bateria num local onde a temperatura ambiente varie entre  $5\text{ }^{\circ}\text{C}$  e  $25\text{ }^{\circ}\text{C}$  e onde não fique exposta à luz solar.
- Armazene o carregador de bateria num local onde a temperatura ambiente varie entre  $5\text{ }^{\circ}\text{C}$  e  $45\text{ }^{\circ}\text{C}$  e onde não fique exposto à luz solar.
- Antes de armazenar a bateria durante longos períodos de tempo, certifique-se de que está carregada a 30-50%.
- Mantenha o produto, a bateria e o carregador de bateria num local fechado à chave, fora do alcance de crianças e de pessoas não autorizadas.
- Limpe o produto e certifique-se de que o coletor de relva está vazio.
- Realize os procedimentos de manutenção indicados neste manual do utilizador. Consulte *Manutenção na página 504*.
- Antes de armazenar o produto durante longos períodos de tempo, efetue uma manutenção completa do mesmo.

## Eliminação

Os símbolos no produto ou na respetiva embalagem indicam que este produto não deve ser tratado como um resíduo doméstico. Tem de ser enviado para uma estação de reciclagem adequada para a recuperação de equipamentos elétricos e eletrónicos.

Ao garantir que este produto é tratado corretamente, pode ajudar a neutralizar o potencial impacto negativo sobre o meio ambiente e as pessoas, que de outra forma pode resultar da gestão incorreta dos resíduos deste produto. Para informações mais detalhadas sobre a reciclagem deste produto, contacte o seu município, o serviço de recolha de resíduos domésticos ou a loja onde adquiriu o produto.



## Especificações técnicas

### Especificações técnicas

	LC 247i	LC 347iVX	LC 353iVX
<b>Motor de corte</b>			
Tipo de motor	BLDC (sem escova) 36V	BLDC (sem escova) 36V	BLDC (sem escova) 36V
Velocidade do motor – SavE, rpm	2600/min	2600/min	2600/min
Velocidade do motor – nominal, rpm	3000/min	3000/min	3000/min
Velocidade do motor – carga elevada, rpm	3500/min	3500/min	3500/min
Potência do motor – máx. kW	0,96	0,96	1,05
Potência do motor – nominal, kW	0,75	0,75	0,9
<b>Motor direto</b>			
Potência do motor – nominal, kW	N/A	0,25	0,25
Velocidade de autodeslocação, km/h	N/A	3,0-4,5	3,0-4,5
Níveis de regulação de velocidade	N/A	4	4
<b>Peso</b>			
Peso sem saco (excl. bateria), kg	24,5	26	28
Peso com saco (incl. 2 x BLi30), kg	30,5	32,0	34,5
<b>Bateria</b>			
Tipo de bateria	Gama de equipamentos a bateria da Husqvarna		
<b>Tempo de operação da bateria</b>			
Tempo de operação da bateria, mín., (operação livre) com SavE ativado, com uma bateria de 7,7 Ah (BLi30) da Husqvarna.	62	62	46
Tempo de operação da bateria, mín., (operação livre) com modo normal ativado, com uma bateria de 7,7 Ah (BLi30) da Husqvarna.	43	43	28
<b>Emissões de ruído</b> <sup>78</sup>			
Nível de potência sonora, dB(A) medidos	94	94	97
Nível de potência sonora, garantido L <sub>WA</sub> dB (A)	95	95	98
<b>Níveis acústicos</b> <sup>79</sup>			
Nível de pressão sonora ao nível do ouvido do utilizador, dB (A)	82	82	86

<sup>78</sup> Emissões de ruído para as imediações, medidas sob forma de potência sonora (L<sub>WA</sub>) em conformidade com a diretiva da CE 2000/14/CE.

<sup>79</sup> Os dados comunicados relativamente ao nível de pressão sonora têm um fator de incerteza (K) de 1,5 dB(A).

	LC 247i	LC 347IVX	LC 353iVX
<b>Níveis de vibração</b> <sup>80</sup>			
Punho, m/s <sup>2</sup>	0,42	0,42	2,64
<b>Equipamento de corte</b>			
Altura de corte, mm	20-75 mm	20-75 mm	20-75 mm
Largura de corte, cm	47	47	53
Lâmina padrão	Recolher 5905934-10	Recolher 5905934-10	Recolher 5940757-10
Acessório da lâmina	Trituração 5907010-10	Trituração 5907010-10	Trituração 5950072-10
Capacidade do coletor de relva, litros	55	55	60

<b>Dados de frequência de rádio para Bluetooth®</b>	LC 247i	LC 347IVX	LC 353iVX
Banda de frequência, GHz	N/A	2,4-2,4835	2,4-2,4835
Potência de saída, máx. dBm	N/A	4	4

<b>Baterias aprovadas</b>	<b>Tipo</b>	<b>Capacidade da bateria, Ah</b>	<b>Tensão, V</b>	<b>Peso, kg</b>
BLi20	lões de lítio	4,0	36	2,6/1,2
BLi30	lões de lítio	7,7	36	4,2/1,9

<b>Carregadores aprovados para as baterias especificadas, BLi</b>	<b>Tensão de entrada, V</b>	<b>Frequência, Hz</b>	<b>Potência, W</b>
QC80	100-240	50-60	80
40-C80	100-240	50-60	68,8
QC250	100-240	50-60	250

<sup>80</sup> Os dados comunicados relativamente ao nível de vibração têm um fator de incerteza (K) de 1,5m/s<sup>2</sup>. O valor total de vibração declarado foi medido em conformidade com a norma EN 62841-4-3, Anexo I, e pode ser utilizado para comparar uma máquina com outra e numa avaliação preliminar da exposição.

# Declaração de conformidade

## Declaração UE de conformidade

A **Husqvarna AB**, SE-561 82 Huskvarna, Suécia,  
tel.: +46-36-146500, declara, sob sua inteira  
responsabilidade, que o produto:

<b>Descrição da peça</b>	Corta-relva
<b>Marca</b>	Husqvarna
<b>Tipo/Modelo</b>	LC 247i
<b>Identificação</b>	Números de série referentes a 2021 e posteriores

está em plena conformidade com as seguintes diretivas  
e regulamentos da UE:

<b>Diretiva/Regulamen- to</b>	<b>Descrição da peça</b>
2006/42/CE	"relativa a máquinas"
2014/30/UE	"relativa à compatibilidade eletromagnética"
2000/14/CE	"relativa a emissões de ruído para o ambiente"
2011/65/UE	"relativa à restrição do uso de determinadas substâncias perigosas em equipamento elétrico e eletrônico"

e que as seguintes normas e/ou especificações  
técnicas são aplicadas: EN 62841-1:2015+AC:2015, EN  
62841-4-3:2021+A11:2021, EN ISO 12100:2010, EN  
55014-1:2017+A11:2020, EN 55014-2:2015, EN IEC  
63000:2018.

Entidade competente: 0404, RISE SMP Svensk  
Maskinprovning AB, Box 7035, SE-750 07 Uppsala  
atribuiu a certificação de conformidade com a Diretiva  
2000/14/CE do Conselho, procedimento de avaliação de  
conformidade: Anexo VI.

Para mais informações sobre as emissões sonoras,  
consulte *Especificações técnicas na página 510*.

Huskvarna, 2021-12-01



Claes Losdal, chefe de desenvolvimento/produtos de  
jardinagem, Husqvarna AB

Responsável pela documentação técnica



## Declaração UE de conformidade

A **Husqvarna AB**, SE-561 82 Huskvarna, Suécia, tel.: +46-36-146500, declara, sob sua inteira responsabilidade, que o produto:

<b>Descrição da peça</b>	Corta-relva
<b>Marca</b>	Husqvarna
<b>Tipo/Modelo</b>	LC 347iVX, LC 353iVX
<b>Identificação</b>	Números de série referentes a 2021-12-01 e posteriores

está em plena conformidade com as seguintes diretivas e regulamentos da UE:

<b>Diretiva/Regulamento</b>	<b>Descrição da peça</b>
2006/42/CE	"relativa a máquinas"
2014/53/UE	"relativa ao equipamento de rádio"
2000/14/CE	"relativa a emissões de ruído para o ambiente"
2011/65/UE	"relativa à restrição do uso de determinadas substâncias perigosas em equipamento elétrico e eletrônico"

e que as seguintes normas e/ou especificações técnicas são aplicadas: EN 62841-1:2015+AC:2015, EN 62841-4-3:2021+A11:2021, EN ISO 12100:2010, EN 55014-1:2017+A11:2020, EN 55014-2:2015, EN IEC 63000:2018, EN ETSI 300 328 v.2.2.2, EN 50663: 2017, ETSI EN 301 489-1 V2.2.3, ETSI EN 301 489-17 V3.2.4.

Entidade competente: 0404, RISE SMP Svensk Maskinprovning AB, Box 7035, SE-750 07 Uppsala atribuiu a certificação de conformidade com a Diretiva 2000/14/CE do Conselho, procedimento de avaliação de conformidade: Anexo VI.

Para mais informações sobre as emissões sonoras, consulte *Especificações técnicas na página 510*.

Husqvarna, 2021-12-01



Claes Losdal, chefe de desenvolvimento/produtos de jardinagem, Husqvarna AB

Responsável pela documentação técnica



---

## Marcas comerciais registadas

---

A palavra e os logótipos *Bluetooth®* são marcas comerciais registadas propriedade da *Bluetooth SIG, inc.* e qualquer utilização de tais marcas pela Husqvarna é feita mediante licença.

---

## CUPRINS

---

Introducere.....	514	Depanarea.....	532
Siguranță.....	516	Transportul, depozitarea și eliminarea.....	534
Asamblarea.....	522	Date tehnice.....	535
Funcționarea.....	523	Declarație de conformitate.....	537
Întreținerea.....	529	Mărci comerciale înregistrate.....	538

---

## Introducere

---

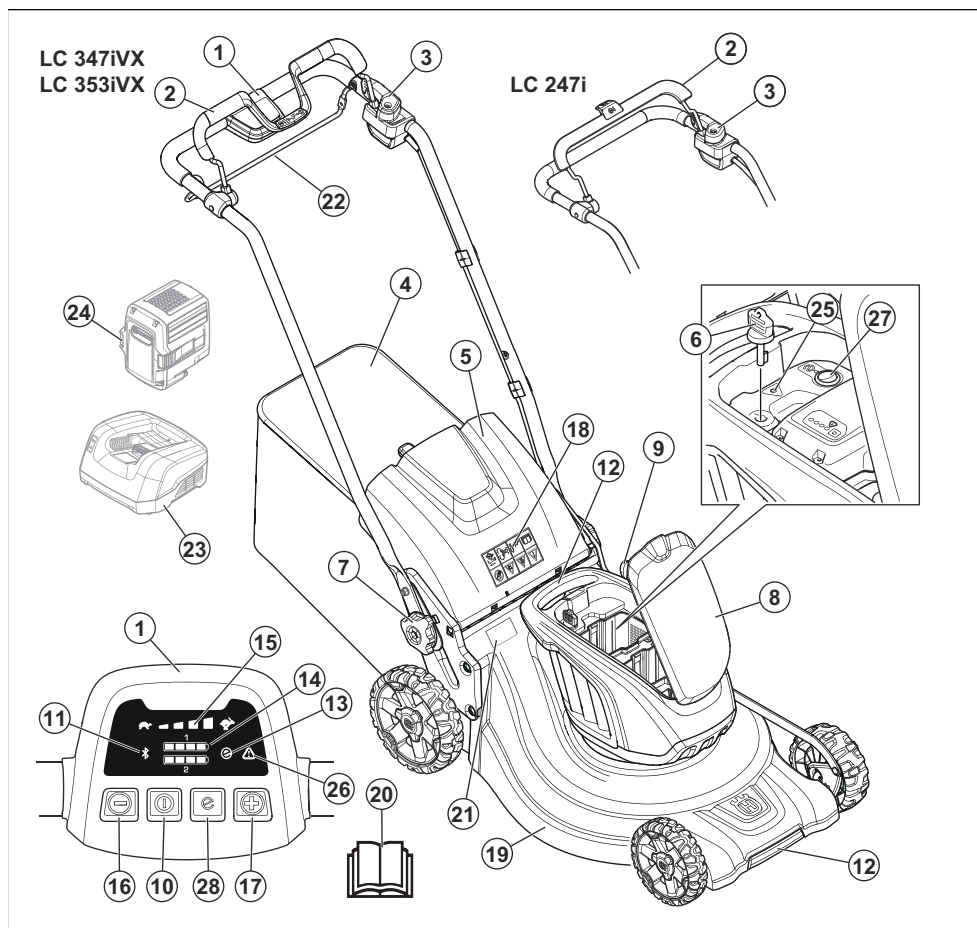
### Descrierea produsului

Produsul este o mașină rotativă pentru tuns gazonul controlată de un operator-pieton. Iarba se adună într-un colector de iarbă. Demontați colectorul de iarbă pentru a efectua descărcarea ierbii prin partea posterioară a mașinii. Atașați un kit de mărunțire (accesoriu) pentru a tăia iarba și a o transforma în îngrășământ.

### Domeniul de utilizare

Utilizați produsul pentru a tăia iarba. Nu utilizați produsul pentru alte sarcini.

## Prezentare generală a produsului



- |  |   |
|--|---|
| 1. Panoul de control (LC 347iVX, LC 353iVX)                            | 15. Indicator pentru nivelul vitezei (LC 347iVX, LC 353iVX) |
| 2. Maneta frânei de motor  | 16. Buton pentru reducerea vitezei (LC 347iVX, LC 353iVX)   |
| 3. Inhibitorul de pornire  | 17. Buton pentru mărirea vitezei (LC 347iVX, LC 353iVX)     |
| 4. Colectorul de iarbă   | 18. Simboluri   |
| 5. Capac posterior   | 19. Capac de tăiere   |
| 6. Cheie de siguranță  | 20. Manualul operatorului                                   |
| 7. Rozetă pe mâner   | 21. Plăcuță de identificare                                 |
| 8. Capac baterie   | 22. Manetă de transmisie (LC 347iVX, LC 353iVX)             |
| 9. Control înălțime de tăiere  | 23. Încărcător de baterie (accesoriu)                       |
| 10. Buton ON/OFF   | 24. Baterie (accesoriu)                                     |
| 11. Indicator pentru tehnologia wireless <i>Bluetooth</i> <sup>®</sup> | 25. LED de eroare (LC 247i)                                 |
| 12. Mânere de ridicare   | 26. LED de eroare (LC 347iVX, LC 353iVX)                    |
| 13. Indicator SavE   |   |
| 14. Indicator pentru baterie   |   |

27. Butonul SavE (economisire) (LC 247i)  
28. Butonul SavE (economisire) (LC 347iVX, LC 353iVX)

specificat în *Date tehnice la pagina 535* și pe etichetă.

## Simbolurile de pe produs



AVERTISMENT



Citiți instrucțiunile.



AVERTISMENT – Feriți-vă de obiecte proiectate.



Țineți trecătorii la distanță.



AVERTISMENT – Feriți-vă mâinile și picioarele de cuțite.



AVERTISMENT – Deconectați bateria înaintea lucrărilor de întreținere.



Produsul și ambalajul produsului nu pot fi tratate ca deșeuri menajere. Reciclați-l la un centru de reciclare pentru echipamente electrice și electronice.



Produsul este conform cu directivele CE aplicabile.



Nivelul emisiilor de zgomot în mediul înconjurător este conform cu directivele și cu reglementările din UE și UK. Nivelul de putere sonoră garantat al produsului este

## IPX1

Produsul este protejat de scurgere.



Eliberați maneta frânei de motor pentru oprire.



Cod scanabil

**Nota:** Celelalte simboluri/etichete de pe produs se referă la cerințele de certificare pentru anumite piețe.

## Etichetele de pe produs



PERICOL – Țineți picioarele și mâinile la distanță.

## Răspunderea pentru produs

Conform prevederilor legislației privind răspunderea pentru produs, nu ne asumăm răspunderea pentru daunele cauzate de produsul nostru dacă:

- produsul este reparat necorespunzător;
- produsul este reparat cu piese care nu provin de la producător sau care nu sunt aprobate de acesta;
- produsul are un accesoriu care nu provine de la producător sau care nu este aprobat de acesta;
- produsul nu este reparat la un centru de service omologat sau de o autoritate omologată;

## Siguranță

### Definiții privind siguranța

Avertismentele, atenționările și notele sunt utilizate pentru a desemna părți foarte importante din manual.

pentru operator sau pentru trecători, în cazul în care instrucțiunile din manual nu sunt respectate.



**AVERTISMENT:** Se utilizează dacă există risc de vătămare sau de deces



**ATENȚIE:** Se utilizează dacă există un risc de deteriorare a produsului, a altor



materiale sau a zonelor învecinate, dacă instrucțiunile din manual nu sunt respectate.

**Nota:** Se utilizează pentru a furniza mai multe informații care sunt necesare într-o situație dată.

## Avertismente generale privind siguranța produsului



**AVERTISMENT:** Citiți toate avertismentele, instrucțiunile, ilustrațiile și specificațiile de siguranță furnizate cu acest produs. Nerespectarea instrucțiunilor enumerate mai jos poate avea ca rezultat electrocutare, incendii și/sau vătămări corporale grave.

**Păstrați toate avertismentele și instrucțiunile pentru consultare ulterioară.** Termenul „produs” folosit în avertismente se referă la produsul acționat de la rețeaua de alimentare (cu cablu) sau pe baterii (fără cablu).

### Siguranța zonei de lucru

- **Păstrați zona de lucru curată și bine iluminată.** Zonele dezordonate sau întunecoase provoacă accidente.
- **Nu întrebuințați produsul în atmosfere explozive, cum ar fi în prezența lichidelor, gazelor și prafului inflamabile.** Produsul scoate scântei care pot aprinde praful sau degajările.
- **Țineți la distanță copiii și alte persoane în timpul folosirii produsului.** Distragerea atenției poate cauza pierderea controlului.

### Siguranța privind echipamentele electrice

- **Ștecărele produsului trebuie să se potrivească cu priza. Nu modificați niciodată ștecărul. Nu utilizați adaptoare de ștecăr cu produsele cu împământare (legate la masă).** Ștecărele nemodificate și prizele potrivite reduc riscul de electrocutare.
- **Evitați contactul dintre propriul corp și suprafețele cu împământare sau legate la masă, cum ar fi țevi, calorifere, plite și congelatoare.** Există un pericol sporit de electrocutare dacă împământarea sau legarea la masă se face prin corpul dvs.
- **Nu expuneți produsele la ploaie sau la condiții de umezeală.** Apa care pătrunde într-un produs va spori pericolul de electrocutare.
- **Nu folosiți cablul în mod abuziv. Nu utilizați niciodată cablul la transportarea, tragerea sau deconectarea produsului. Țineți cablul departe de căldură, ulei, muchii ascuțite sau piese în mișcare.** Cablurile deteriorate sau încurcate sporesc pericolul de electrocutare.
- **Când lucrați cu produsul afară, folosiți un cablu prelungitor potrivit pentru utilizarea la exterior.** Folosirea unui cablu adecvat pentru utilizarea la exterior reduce riscul de electrocutare.

- **Dacă întrebuințarea unui produs într-un loc cu umiditate mare este inevitabilă, utilizați o sursă cu dispozitiv de protecție împotriva curentului rezidual (RCD).** Folosirea unui dispozitiv pentru curent rezidual reduce pericolul de electrocutare.

### Siguranța personală

- **Fiiți mereu atenți, uitați-vă la ce faceți și dați dovadă de simț practic când utilizați produsul. Nu utilizați produsul când sunteți obosit sau sub influența drogurilor, a alcoolului sau a medicamentelor.** Un moment de neatenție în timpul întrebuințării produselor poate duce la vătămări corporale grave.
- **Utilizați echipament individual de protecție. Purtați întotdeauna ochelari de protecție.** Echipamentele de protecție, cum ar fi masca împotriva prafului, încălțăminta de protecție antiderapantă, casca sau protecția pentru auz utilizate în condiții corespunzătoare, vor reduce riscul de vătămări corporale.
- **Evitați pornirea accidentală. Verificați dacă comutatorul este în poziția oprit înainte de conectarea la o sursă de alimentare și/sau la acumulatori, înainte de ridicarea sau transportarea produsului.** Transportarea produselor cu degetul pe comutator sau activarea produselor care au comutatorul pornit pot genera accidente.
- **Îndepărtați toate cheile de reglare sau cheile fixe înainte de a porni produsul.** O cheie fixă care a rămas prinsă la o piesă rotativă a produsului poate duce la răniri.
- **Nu vă întindeți prea mult. Sprijiniți-vă bine pe picioare și păstrați-vă echilibrul.** Aceasta permite un control mai bun asupra produsului în situații neașteptate.
- **Îmbrăcați-vă corespunzător. Nu purtați haine largi sau bijuterii. Țineți părul și îmbrăcămintea la distanță de piesele în mișcare.** Hainele largi, bijuteriile sau părul lung se pot prinde în piesele în mișcare.
- **Dacă dispozitivele sunt dotate cu racorduri la instalarea de extragere și colectare a prafului, asigurați-vă că acestea sunt conectate și utilizate corespunzător.** Colectarea prafului poate reduce pericolul provocat de acesta.
- **Nu vă încredeți în familiaritatea dobândită din utilizarea frecventă a produselor și nu neglijați principiile lor de siguranță.** O acțiune neglijentă poate duce la vătămări corporale grave într-o fracțiune de secundă.

### Utilizarea și întreținerea produsului

- **Nu forțați produsul. Utilizați produsul adecvat pentru operațiunea dvs.** Cu produsul adecvat veți efectua lucrarea mai rapid și în condiții mai sigure, la viteza de lucru pentru care a fost proiectat.
- **Nu utilizați produsul dacă nu poate fi pornit și oprit de la comutator.** Orice produs imposibil de controlat cu comutatorul este periculos și trebuie reparat.
- **Deconectați ștecărul de la sursa de alimentare și/sau scoateți acumulatorul, dacă este detașabil, de la**

produs înainte de a face reglaje, de a schimba accesoriile sau de a depozita produsul. Astfel de măsuri preventive de siguranță reduc riscul pornirii accidentale a produsului.

- **Nu lăsați produsele nefolosite la îndemâna copiilor și nu permiteți persoanelor care nu sunt familiarizate cu produsele sau cu instrucțiunile acestea să le folosească.** Produsele sunt periculoase în mâinile utilizatorilor neinstruiți.
- **Întrețineți produse și accesoriile. Verificați ca piesele în mișcare să nu fie nealiniate sau îndoite, ca piesele să nu fie deteriorate și să nu existe alte situații care ar putea afecta funcționarea produsului. Dacă produsul se strică, duceți-l la reparat înainte de a-l utiliza iar.** Multe accidente sunt provocate de produsele prost întreținute.
- **Păstrați uneltele de tăiere ascuțite și curate.** Este mai puțin probabil ca uneltele de tăiere cu tăisuri ascuțite întreținute corespunzător să se blocheze și sunt mai ușor de controlat.
- **Utilizați produsul, accesoriile, capetele de unealtă etc. în conformitate cu aceste instrucțiuni, luând în considerare condițiile de lucru și operațiunea care urmează a fi efectuată.** Utilizarea produsului pentru operațiuni diferite de cele pentru care a fost realizat poate duce la situații periculoase.
- **Mențineți mânerele și suprafețele de prindere uscate, curate, fără ulei și unsoare.** Mânerele și suprafețele de prindere alunecoase nu permit manipularea și controlarea în siguranță a produsului în situații neprevăzute.

## Service

- **Produsul dvs. trebuie reparat numai de un tehnician calificat, care să folosească numai piese de schimb identice.** Astfel se garantează păstrarea siguranței produsului.
- **Nu reparați niciodată acumulatori deteriorați.** Repararea acumulatorilor trebuie efectuată numai de producător sau de furnizorii de servicii autorizați.

## Utilizarea și întreținerea uneltei cu baterie

- **Reîncărcați numai cu încărcătorul specificat de producător.** Un încărcător adecvat pentru un tip de baterie poate constitui pericol de incendiu atunci când este utilizat cu un alt tip de baterie.
- **Utilizați produsele numai cu bateriile special indicate.** Utilizarea unui alt tip de acumulatori poate constitui pericol de vătămări corporale și de incendiu.
- **Când acumulatorul nu este utilizat, păstrați-l departe de alte obiecte metalice, precum agrafe de birou, monede, chei, cuie, șuruburi sau alte obiecte mici de metal, care pot crea o conexiune între borne.** Scurtcircuitarea bornelor bateriei poate cauza arsuri sau incendii.
- **În condiții de utilizare neadecvată, din baterie pot ieși stropi de lichid; evitați contactul.** Totuși, dacă intrați accidental în contact cu lichidul respectiv, spălați cu apă. Dacă lichidul intră în contact cu ochii, consultați

un medic. Lichidul care se scurge din baterie poate cauza iritații sau arsuri.

- **Nu utilizați acumulatori sau uneltele deteriorate sau modificate.** Bateriile deteriorate sau modificate pot prezenta un comportament imprevizibil, ce pot duce la incendii, explozii sau pericol de vătămări corporale.
- **Nu expuneți acumulatori sau uneltele la flăcări sau temperaturi excesive.** Expunerea la flăcări sau la temperaturi de peste 130°C/265°F poate cauza explozii.
- **Urmați toate instrucțiunile de încărcare și nu încărcați acumulatorul sau uneltea în afara intervalului de temperatură specificat în instrucțiuni.** Încărcarea incorectă sau la temperaturi în afara intervalului specificat poate duce la deteriorarea bateriei și la creșterea pericolului de incendiu.

## Avertismente privind siguranța mașinii de tuns gazonul

- **Nu utilizați mașina de tuns gazonul în condiții de vreme nefavorabilă, mai ales când există risc de descărcări electrice.** Aceasta reduce riscul de a fi lovit de trăsnet.
- **Verificați temeinic zona unde urmează a fi utilizată mașina, pentru a vedea dacă nu există animale sălbatice.** Animalele sălbatice ar putea fi rănite de mașină în timp ce este în funcțiune.
- **Verificați temeinic zona unde urmează a fi utilizată mașina și înlăturați toate pietrele, bețele, cablurile, oasele și alte obiecte străine.** Obiectele proiectate pot provoca vătămări corporale.
- **Înainte de a utiliza mașina, efectuați întotdeauna o inspecție vizuală pentru a vedea dacă cuțitul și ansamblul cuțitului nu sunt uzate sau deteriorate.** Componentele deteriorate sau uzate sporesc riscul de vătămare corporală.
- **Înainte de utilizare, verificați cablul de alimentare și cablul prelungitor pentru a vedea dacă prezintă semne de deteriorare sau de uzură. Nu utilizați mașina de tuns gazonul când cablul este deteriorat sau uzat. Dacă în timpul utilizării se deteriorează sau se uzează cablul, opriți mașina și nu atingeți cablul înainte de a-l deconecta de la sursa de alimentare.** Un cablu de alimentare sau prelungitor deteriorat poate provoca electrocutări, incendii și/sau vătămări corporale grave.
- **Verificați frecvent colectorul de iarbă pentru a detecta eventualele semne de uzură sau deteriorare.** Un colector de iarbă uzat sau deteriorat poate crește riscul de vătămări corporale.
- **Păstrați apărătorile montate. Apărătorile trebuie să fie în stare adecvată pentru lucru și montate corect.** O apărătoare slăbită, deteriorată sau care nu funcționează corect poate duce la vătămări corporale.
- **Mențineți toate admisile de aer de răcire neobstrucționate de resturi.** Blocarea admisivilor de aer și resturile pot duce la supraîncălzire sau incendiu.

- **În timp ce folosiți mașina, purtați mereu încălțăminte antiderapantă de protecție. Nu întrebuințați mașina în picioarele goale sau purtând pantofi deschiși la vârf.** Astfel reduceți riscul de rănire a picioarelor în eventualitatea contactului cu cuțitul aflat în mișcare.
- **Când folosiți mașina de tuns gazonul, purtați întotdeauna pantaloni lungi.** Pielea expusă crește probabilitatea rănirii de către obiectele proiectate.
- **Nu utilizați mașina pe iarbă udă. Mergeți, nu alergați niciodată.** Astfel reduceți riscul de alunecare și cădere, care pot provoca vătămări corporale.
- **Nu întrebuințați mașina pe pante prea înclinate.** Astfel scade riscul de a pierde controlul, de a aluneca sau de a cădea, care pot duce la vătămări corporale.
- **Când lucrați pe pante, asigurați-vă întotdeauna că aveți o poziție stabilă. Lucrați mereu orizontal pe suprafața pantelii, niciodată în sus și în jos și aveți foarte mare grijă când schimbați direcția.** Astfel scade riscul de a pierde controlul, de a aluneca sau de a cădea, care pot duce la vătămări corporale.
- **Aveți mare grijă când dați înapoi sau când trageți mașina de tuns gazonul spre dvs. Aveți mereu grijă la zona din jur.** Astfel se reduce riscul de împiedicare în timpul lucrului.
- **Țineți cablul de alimentare la distanță de cuțite.** Un cablu de alimentare deteriorat poate provoca electrocutări, incendii și/sau vătămări corporale grave.
- **Opriiți și scoateți ștecărul din priză dacă se încurcă sau deteriorează cablul.** Cablurile uzate sau deteriorate sporesc pericolul de electrocutare.
- **Nu atingeți cuțitele și alte componente mobile periculoase în timp ce încă se află în mișcare.** Astfel reduceți riscul de vătămări corporale produse de componentele în mișcare.
- **Când desprindeți materialul blocat sau curățați mașina de tuns gazonul, asigurați-vă că toate întreprăzătoarele sunt oprite și cablul de alimentare este scos din priză.** Acționarea neașteptată a mașinii poate duce la vătămări corporale grave.

## Dispozitiv de protecție împotriva curentului rezidual

- Utilizați un dispozitiv de protecție împotriva curentului rezidual cu un curent de declanșare de maximum 30 mA.

## Instrucțiuni generale de siguranță



**AVERTISMENT:** Înainte de a utiliza produsul, citiți instrucțiunile de avertizare de mai jos.

- Acest produs este periculos dacă este utilizat incorect sau dacă nu sunteți atent. Nerespectarea instrucțiunilor de siguranță poate cauza vătămări corporale sau decesul.

- În timpul funcționării, acest produs produce un câmp electromagnetic. În anumite condiții, acest câmp poate interfera cu implanturile medicale active sau pasive. Pentru a reduce riscul de vătămări corporale grave sau mortale, recomandăm persoanelor cu implanturi medicale să consulte medicul și producătorul implantului medical înainte de a utiliza acest produs.
- Procedați întotdeauna cu atenție și folosiți-vă judecata. Dacă nu sunteți sigur cum să utilizați produsul într-o situație specială, opriți-l și adresați-vă distribuitorului Husqvarna înainte de a continua.
- Rețineți că operatorul poartă responsabilitatea privind orice accidente care implică alte persoane sau bunurile acestora.
- Păstrați produsul curat. Asigurați-vă că puteți citi clar semnele și etichetele.
- Nu lăsați niciodată copiii sau persoanele nefamiliarizate cu aceste instrucțiuni să folosească aparatul. Este posibil ca reglementările locale să limiteze vârsta operatorului.
- Monitorizați permanent o persoană cu capacități fizice sau mintale reduse care utilizează produsul. Un adult responsabil trebuie să fie prezent în permanență.
- Nu utilizați produsul atunci când sunteți obosit, bolnav sau dacă ați consumat alcool, droguri sau ați luat medicamente. Acestea vă afectează negativ acuitatea vizuală, atenția, coordonarea și judecata.
- Nu utilizați produsul dacă este defect.
- Nu modificați acest produs și nu îl utilizați dacă este posibil să fi fost modificat de către alte persoane.

## Siguranța în lucru



**AVERTISMENT:** Înainte de a utiliza produsul, citiți instrucțiunile de avertizare de mai jos.

- Utilizați acest produs numai pentru tunderea gazonului. Nu este permisă utilizarea acestui produs pentru alte lucrări.
- Utilizați echipamentul de protecție personală. Consultați *Echipament individual de protecție la pagina 520*.
- Asigurați-vă că știți cum să opriți rapid motorul în caz de urgență.
- Nu utilizați produsul în ploaie sau în condiții de umezeală. Riscul de electrocutare crește dacă apa pătrunde în produs.
- Nu utilizați produsul decât dacă au fost montate corect cuțitul și toate capacele. Un cuțit montat incorect se poate slăbi, provocând vătămări corporale.
- Asigurați-vă că lama nu lovește obiecte, precum pietre și rădăcini. Acestea pot deteriora cuțitul și pot îndoi arborele motorului. Un ax îndoit poate genera vibrații puternice și prezintă un risc foarte ridicat de slăbire a cuțitului.

- Dacă lama lovește un obiect sau dacă observați vibrații, opriți produsul imediat. Opriți motorul, rotiți cheia de siguranță la 0 și scoateți bateria. Așteptați până se opresc componentele aflate în mișcare. Verificați dacă produsul este deteriorat. Strângeți componentele slăbite. Reparați avariile și înlocuiți componentele deteriorate. Reparațiile trebuie efectuate de un agent de service autorizat.
- Nu atașați niciodată maneta frânei de motor la mâner, în mod permanent, atunci când motorul este pornit.
- Poziționați produsul pe o suprafață stabilă, plană și porniți-l. Asigurați-vă că lama nu atinge solul sau alte obiecte.
- Stați întotdeauna în spatele produsului atunci când îl utilizați.
- Mențineți toate roțile pe sol și țineți ambele mâini pe mâner când utilizați produsul. Feriți-vă mâinile și picioarele de cuțitele rotative.
- Nu înclinați produsul când porniți motorul sau în timp ce întrebuințați produsul.
- Fiți atent atunci când trageți produsul în spate.
- Nu ridicați niciodată produsul când motorul este pornit. Dacă trebuie să ridicați produsul, mai întâi opriți motorul, rotiți cheia de siguranță la 0 și scoateți bateria.
- Nu mergeți cu spatele în timp ce utilizați produsul.
- Opriți motorul când este necesar să înclinați produsul pentru transport sau înainte de a trece peste o zonă fără iarbă, de exemplu poteci de pietriș, piatră sau asfalt.
- Nu alergați cu produsul când motorul este pornit. Întotdeauna mergeți în timp ce utilizați produsul.
- Opriți motorul înainte de a schimba înălțimea de tăiere. Nu efectuați niciodată reglări cu motorul pornit.
- Nu lăsați niciodată produsul să iasă din câmpul vizual cu motorul pornit. Opriți motorul și asigurați-vă că echipamentul de tăiere nu se rotește.
- Vibrațiile produsului în timpul funcționării pot fi diferite de valoarea de vibrații declarată în *Date tehnice la pagina 535*. Diferența este dată de variațiile din modurile de utilizare a produsului. Dacă întrebuințați produsul frecvent sau pe durate mari, faceți pauze dese pentru a preveni afecțiunile fizice determinate de vibrații.

- Utilizați întotdeauna ghetе sau pantofi pentru regim greu de lucru, cu rezistență la alunecare. Nu folosiți pantofi decupați și nu operați produsul desculț.
- Utilizați pantalonii lungi, groși.
- Purtați mănuși de protecție atunci când este necesar, de exemplu atunci când conectați, inspectați sau curățați echipamentul de tăiere.
- Recomandăm folosirea de echipament de protecție a auzului.

## Dispozitivele de siguranță de pe produs



**AVERTISMENT:** Înainte de a utiliza produsul, citiți instrucțiunile de avertizare de mai jos.

- Nu utilizați un produs cu dispozitive de siguranță deteriorate.
- Nu demontați și nu aduceți modificări la dispozitivele de siguranță.
- Verificați regulat dispozitivele de siguranță. Dacă dispozitivele de siguranță sunt defecte, contactați agentul de service Husqvarna.

## Verificarea capacului de tăiere

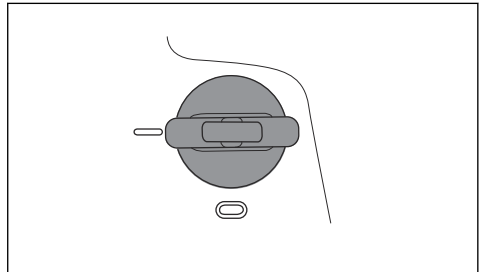
Capacul de tăiere reduce vibrațiile în produs și scade riscul de rănire de la cuțit.

- Examinați capacul de tăiere și asigurați-vă că nu există defecte, precum fisuri.

## Pentru a efectua verificarea cheii de siguranță

Cheia de siguranță este sub capacul bateriei. Cheia de siguranță conectează bateria care alimentează motorul cu energie.

- Porniți și opriți motorul pentru a verifica cheia de siguranță.
- În cazul în care cheia de siguranță funcționează corect, motorul pornește doar atunci când cheia de siguranță este în poziția 1.



## Verificați maneta frânei de motor

Maneta frânei de motor oprește motorul. Când maneta frânei de motor este eliberată, motorul se oprește.

- Porniți produsul. Consultați *Funcționarea la pagina 523*.

## Instrucțiuni de siguranță pentru utilizare

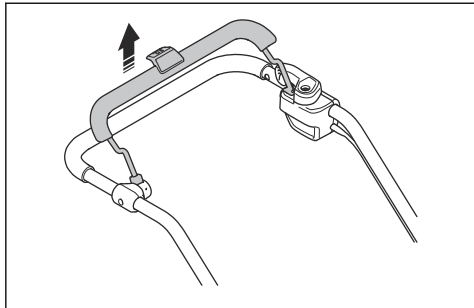
### Echipament individual de protecție



**AVERTISMENT:** Înainte de a utiliza produsul, citiți instrucțiunile de avertizare de mai jos.

- Echipamentul individual de protecție nu pot elimina complet riscul de rănire, însă pot reduce gravitatea rănilor în cazul unui accident. Distribuitorul vă poate ajuta să alegeți echipamentul corect.

- Eliberați maneta frânei de motor.

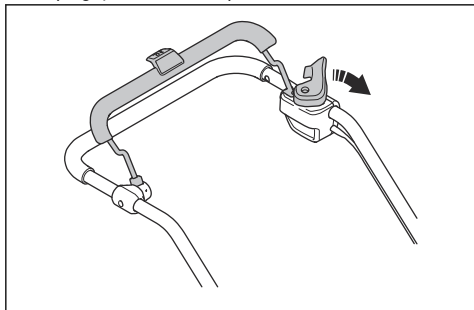


- Asigurați-vă că produsul se oprește. Dacă motorul nu se oprește în 3 secunde, solicitați unui agent de service autorizat Husqvarna să regleze frâna de motor.

### Verificarea inhibitorului de pornire

Verificați inhibitorul de pornire pentru a vă asigura că acesta împiedică funcționarea demarorului.

1. Împingeți maneta frânei de motor în direcția mânerului. Inhibitorul de pornire oprește mișcarea.
2. Împingeți inhibitorul de pornire în afară.



3. Eliberați inhibitorul de pornire și asigurați-vă că revine la poziția sa inițială.

### Siguranța bateriei



**AVERTISMENT:** Înainte de a utiliza produsul, citiți instrucțiunile de avertizare de mai jos.

- Utilizați numai baterii reîncărcabile Husqvarna ca sursă de alimentare pentru produsele Husqvarna asociate. Pentru a evita rănirea, nu folosiți bateria ca sursă de alimentare pentru alte dispozitive.
- Nu utilizați baterii nereîncărcabile.
- Risc de electrocutare. Nu conectați bornele bateriei la chei, monede, șuruburi sau alte metale. Aceasta poate cauza scurtcircuitarea bateriei.
- Nu puneți obiecte în fantele de aerisire a bateriei.

- Feriți bateria de lumina solară, de căldură sau de flăcări deschise. Bateria poate exploda și provoca arsuri și/sau arsuri chimice.
- Feriți bateria de ploaie și de condiții de umezeală.
- Feriți bateria de microunde și de înaltă presiune.
- Nu încercați să demontați sau să spargeți bateria.
- Dacă există scurgeri de lichid dintr-o baterie, nu lăsați lichidul să intre în contact cu pielea sau ochii. Dacă ați atins lichidul, curățați zona cu apă din abundență și consultați medicul.
- Utilizați bateria din produs numai când temperatura ambiantă este între 5 și 40 °C.
- Utilizați încărcătorul bateriei numai când temperatura ambiantă este între 5 și 40 °C.
- Bateria nu se va încărca dacă temperatura sa depășește 50 °C.
- Nu curățați niciodată bateria sau încărcătorul bateriei cu apă. Consultați *Pentru a curăța bateria și încărcătorul la pagina 530.*
- Nu utilizați o baterie defectă sau deteriorată.
- Depozitați bateriile la distanță de obiecte de metal, de exemplu cuie, monede, bijuterii.

### Siguranța încărcătorului bateriei



**AVERTISMENT:** Înainte de a utiliza produsul, citiți instrucțiunile de avertizare de mai jos.

- Utilizați numai încărcătoare de baterii QC pentru a încărca bateriile de schimb Husqvarna.
- Pericol de electrocutare sau de scurtcircuit. Nu puneți obiecte în fantele de aerisire a încărcătorului. Nu încercați să dezamblați încărcătorul de baterii. Nu conectați bornele încărcătorului la obiecte metalice. Folosiți o priză de curent aprobată.
- În timpul funcționării, acest produs produce un câmp electromagnetic. În anumite condiții, acest câmp poate interfera cu implanturile medicale active sau pasive. Pentru a scădea riscul de afecțiuni care pot conduce la vătămare sau la deces, recomandăm persoanelor cu implanturi medicale să consulte medicul și producătorul implantului medical înainte de a utiliza produsul.
- Asigurați-vă periodic că cablul de alimentare al încărcătorului de baterii nu este deteriorat și că nu prezintă fisuri.
- Nu ridicați încărcătorul bateriei ținând de cablul de alimentare. Pentru a deconecta încărcătorul de baterii de la priza de perete, trageți de ștecăr. Nu trageți de cablul de alimentare.
- Țineți cablul de alimentare și prelungitoarele la distanță de apă, ulei și muchii ascuțite. Asigurați-vă că acest cablu nu este prins în uși, garduri sau în alte locuri similare. În caz contrar, încărcătorul poate intra sub tensiune.
- Nu curățați încărcătorul de baterii folosind apă.
- Acest încărcător de baterii poate fi utilizat de către copiii cu vârsta peste 8 ani și de către persoane ce

au capacități fizice, senzoriale sau mintale reduse sau care nu au experiență și cunoștințele necesare, dacă sunt supravegheate sau au primit instrucțiuni referitoare la utilizarea încărcătorului de baterii în siguranță și înțeleg riscurile implicate. Copiii nu trebuie să se joace cu încărcătorul de baterii. Curățarea și întreținerea nu se vor efectua de copii fără supraveghere.

- Nu încărcați baterii nereîncărcabile în încărcătorul de baterii.
- Nu utilizați încărcătorul bateriei în apropiere de materiale inflamabile sau materiale care pot cauza coroziune. Nu acoperiți încărcătorul bateriei. În caz de fum sau de incendiu, scoateți ștecărul încărcătorului de baterii.
- Nu utilizați un încărcător de baterii defect sau deteriorat.
- Încărcați bateria numai în interior, într-o încăpere cu aerisire adecvată și departe de lumina soarelui. Nu încărcați bateria în medii umede.

## Instrucțiuni de siguranță pentru întreținere



**AVERTISMENT:** Înainte de a utiliza produsul, citiți instrucțiunile de avertizare de mai jos.

- Pentru a preveni pornirea accidentală în timpul operațiilor de întreținere, rotiți cheia de siguranță la 0 și scoateți bateria. Așteptați minimum 5 secunde înainte de a începe lucrările de întreținere.

- Efectuați numai lucrările de întreținere care se regăsesc în acest manual al operatorului. Lucrările mai complexe și reparațiile profesionale trebuie efectuate de un agent de service autorizat. Discutați cu agentul de service cel mai apropiat de dvs. pentru mai multe informații.
- Efectuați lucrările de întreținere în mod corect pentru a prelungi durata de viață a produsului și reduce pericolul de accidente.
- Înlocuiți piesele deteriorate, uzate sau defecte. Utilizați întotdeauna piese de schimb originale de la producător. Alte piese de schimb pot deteriora produsul și pot crește riscul de accidente.
- Pentru a preveni rănirea, nu demontați și nu aduceți modificări la dispozitivele de siguranță.
- Puneți-vă mănuși de protecție rezistente atunci când utilizați echipamentul de tăiere. Cuțitul este foarte ascuțit și vă puteți tăia foarte ușor.
- Mențineți tășurile de tăiere ascuțite și curățate pentru performanță și siguranță optimă.
- Permiteți agentului de service să verifice periodic produsul și să efectueze reglajele și reparațiile necesare.
- Respectați instrucțiunile privind modul de schimbare a accesoriilor. Utilizați numai accesoriile furnizate de producător.
- Atunci când nu este în funcțiune, păstrați produsul, bateria și încărcătorul în interior, într-un loc uscat și încuiat. Asigurați-vă că persoanele neavizate și copiii nu au acces la produs, la baterie sau la încărcător.

## Asamblarea

### Introducere



**AVERTISMENT:** Înainte de a asambla produsul, citiți capitolul privind siguranța.

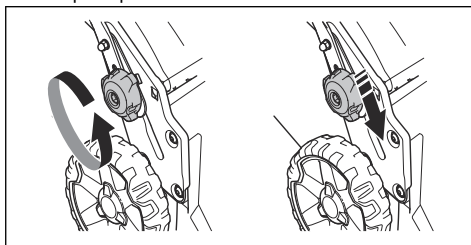


**AVERTISMENT:** Pentru a preveni pornirea accidentală în timpul asamblării, rotiți cheia de siguranță la 0, scoateți bateria și așteptați minimum 5 secunde.

### Pentru a regla mânerul

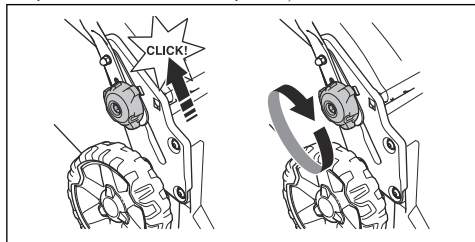
1. Slăbiți butoanele inferioare.

2. Deplasați butoanele spre capătul inferior al canelurilor de pe partea stângă și de pe partea dreaptă a produsului.



3. Setezi înălțimea mânerului într-una dintre cele 2 poziții disponibile.

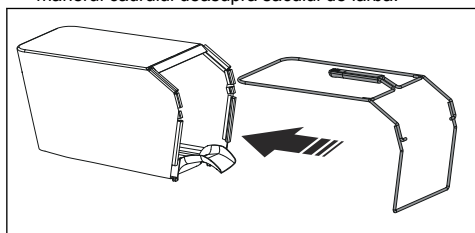
4. Deplasați butoanele în sus în direcția mânerului, până când acestea se opresc și se aude un clic.



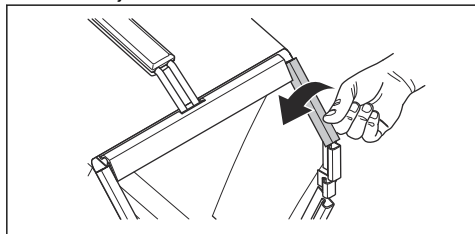
5. Strângeți rozetele până la capăt.

## Asamblarea colectorului de iarbă

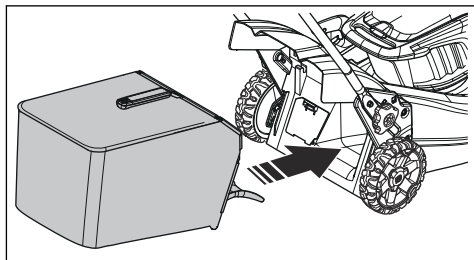
1. Prindeți cadrul colectorului de iarbă de sacul de iarbă, cu partea rigidă a sacului în jos. Mențineți mânerul cadrului deasupra sacului de iarbă.



2. Atașați partea inferioară a cadrului colectorului de iarbă în canelura de pe partea inferioară a colectorului de iarbă.
3. Prindeți sacul de iarbă de cadrul colectorului de iarbă cu ajutorul clemelor.

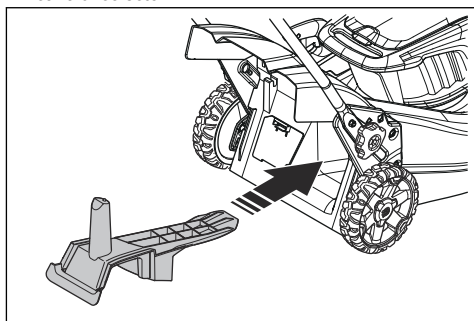


4. Ridicați capacul posterior.
5. Fixați colectorul de iarbă de marginea superioară a carcasei.
6. Introduceți partea inferioară a colectorului de iarbă în canalul de evacuare a ierbii.



## Pentru asamblarea obturatorului pentru resturi vegetale (accesoriu)

1. Ridicați capacul posterior și scoateți colectorul de iarbă.
2. Introduceți obturatorul pentru resturi vegetale în canalul colector.



3. Înlocuiți cuțitul obișnuit cu un cuțit de mărunțire care este furnizat în kitul de mărunțire. Consultați *Înlocuirea cuțitului la pagina 531*.

## Funcționarea

### Introducere



**AVERTISMENT:** Înainte de a utiliza produsul, trebuie să citiți și să înțelegeți capitolul privind siguranța.

### Husqvarna Connect

Husqvarna Connect este o aplicație gratuită pentru dispozitivul dvs. mobil. Aplicația Husqvarna Connect vă oferă funcții extinse pentru produsul dvs. Husqvarna:

- Informații pe larg despre produs.
- Informații despre piese pentru produse și service și asistență pentru acestea.

### Cum se începe utilizarea Husqvarna Connect

1. Descărcați aplicația Husqvarna Connect pe dispozitivul dvs. mobil.
2. Înregistrați-vă în aplicația Husqvarna Connect.
3. Urmăriți pașii cu instrucțiuni din aplicația Husqvarna Connect pentru a conecta și înregistra produsul.

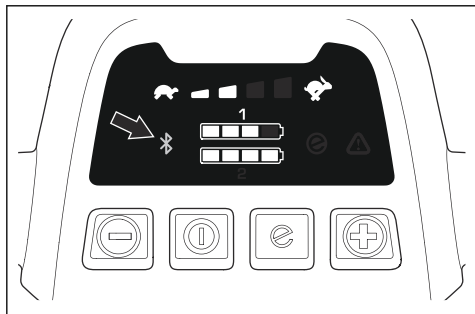


**Nota:** Aplicația Husqvarna Connect nu este disponibilă pentru descărcare pe toate piețele. Adresați-vă reprezentantului de service pentru informații suplimentare.

## Informații despre Bluetooth® (LC 347iVX, LC 353iVX)

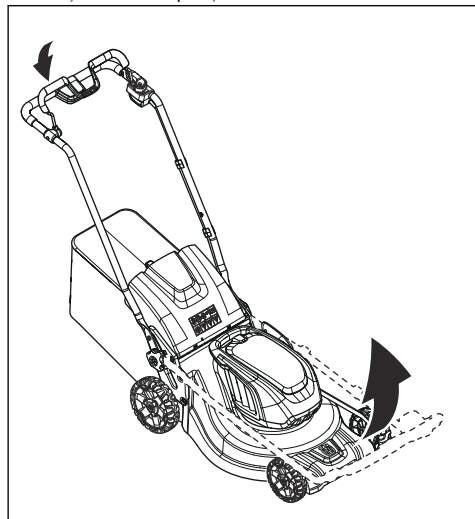
### Tehnologia wireless Bluetooth®

Simbolul pentru tehnologia wireless *Bluetooth*® se aprinde când dispozitivul dvs. mobil este conectat la produs.

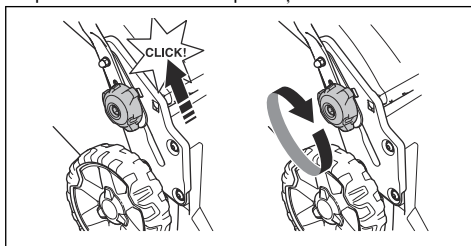


## Așezarea produsului în poziția de funcționare

1. Pliati mânerul în poziție verticală.



2. Deplasați butoanele în sus în direcția mânerului, până când acestea se opresc și se aude un clic.



3. Strângeți butoanele până la capăt.

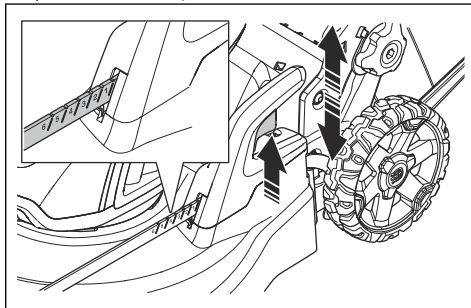


**AVERTISMENT:** Nu folosiți produsul decât dacă mânerul este pliat complet în sus și fixat la una din pozițiile de înălțime corespunzătoare. Consultați *Pentru a regla mânerul la pagina 522.*

## Pentru a seta înălțimea de tăiere

Înălțimea de tăiere poate fi reglată pe 6 nivele.

1. Deplasați în jos pârghia pentru înălțimea de tăiere, pentru a reduce înălțimea de tăiere.
2. Deplasați în sus pârghia pentru înălțimea de tăiere, pentru a mări înălțimea de tăiere.



**ATENȚIE:** Nu setați o înălțime de tăiere prea scăzută. Cuțitele pot atinge solul dacă suprafața gazonului nu este plană.

## Baterie



**AVERTISMENT:** Înainte de a utiliza bateria, trebuie să citiți și să înțelegeți capitolul privind siguranța. Trebuie, de asemenea, să citiți și să înțelegeți informațiile din manualul operatorului privind bateria și încărcătorul.

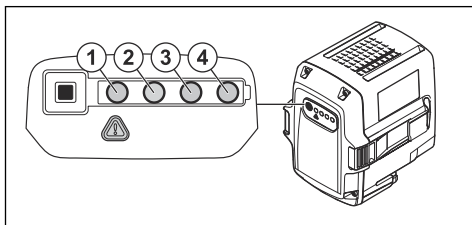
Păstrați bateria și încărcătorul la temperaturile ambiante corecte.



	<b>Temperatură ambiantă</b>
Folosirea bateriei	5-40 °C
Încărcarea bateriei	5-40 °C

## Starea bateriei

Afișajul arată capacitatea rămasă a bateriei și dacă există probleme cu aceasta. Capacitatea bateriei este afișată timp de 5 secunde după ce produsul este oprit sau după ce este apăsat butonul indicatorului. Simbolul de avertisment de pe baterie se aprinde când apare o eroare. Consultați *Baterie la pagina 532*.



Lumini LED	Stare baterie
Toate LED-urile sunt aprinse	Complet încărcată (75 - 100 %)
Sunt aprinse LED-urile 1, 2 și 3	Bateria este încărcată în proporție de 50 - 75 %
Sunt aprinse LED-urile 1 și 2	Bateria este încărcată în proporție de 25 - 50 %
Este aprins LED-ul 1	Bateria este încărcată în proporție de 0-25 %
LED-ul 1 se aprinde intermitent	Bateria este descărcată. Încărcați bateria.

## Încărcarea bateriei

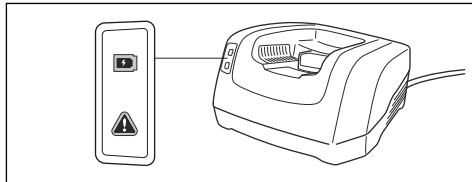
Încărcați bateria înainte de prima utilizare. Bateria este încărcată în proporție de doar 30 % la livrarea către client.

**Nota:** Încărcătorul trebuie conectat la o sursă de alimentare având tensiunea și frecvența specificate pe plăcuța de identificare.

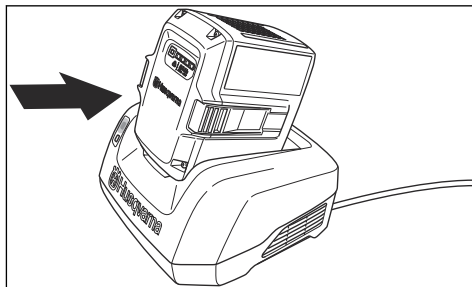
Bateria nu se încarcă dacă temperatura acesteia este mai mare de 50° C. Încărcătorul de baterii reduce temperatura bateriei înainte de a începe încărcarea.

1. Conectați un capăt al cablului de alimentare al încărcătorului la mufa acestuia.

2. Conectați celălalt capăt al cablului de alimentare al încărcătorului la o priză de curent cu împământare. LED-ul de pe încărcătorul bateriei se aprinde o singură dată, în culoarea verde.



3. Introduceți bateria în încărcătorul aferent. Lumina verde de pe încărcător se aprinde atunci când bateria este conectată corect la încărcător.



4. Atunci când toate LED-urile de pe baterie sunt aprinse, bateria este încărcată complet. Încărcați bateria timp de maximum 24 de ore.
5. Pentru a decupla încărcătorul de baterii de la priză de curent, trageți de ștecher și nu de cablul de alimentare.
6. Scoateți bateria din încărcător.

## Nivelul de încărcare a bateriei

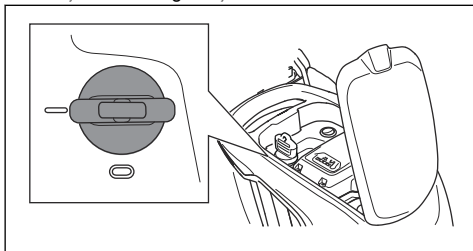
O baterie Husqvarna Li-ion poate fi încărcată sau utilizată la toate nivelurile de încărcare. Bateria nu se deteriorează. O baterie complet încărcată nu-și reduce nivelul de încărcare atunci când este lăsată în încărcător.

Afișaj LED	Nivelul de încărcare
LED-ul 1 se aprinde intermitent	0%-25%
LED-ul 1 este aprins, LED-ul 2 se aprinde intermitent	25%-50%
LED-urile 1 și 2 sunt aprinse, LED-ul 3 se aprinde intermitent	50%-75%
LED-urile 1, 2 și 3 sunt aprinse, LED-ul 4 se aprinde intermitent	75%-100%

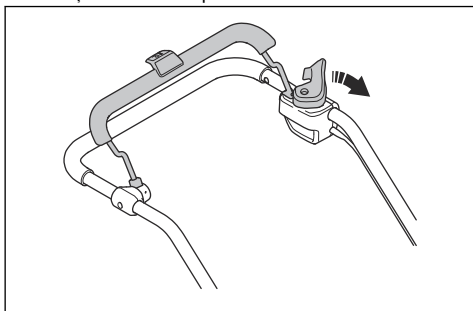
Afișaj LED	Nivelul de încărcare
LED-urile 1, 2, 3 și 4 sunt aprinse	Încărcată complet

## Pornirea produsului (LC 247i)

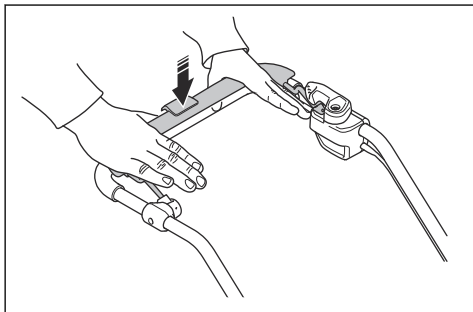
1. Deschideți capacul bateriei.
2. Introduceți o baterie încărcată în unul dintre suporturile pentru baterii. Pentru o durată mai lungă de funcționare, puneți a doua baterie încărcată în celălalt suport pentru baterii.
3. Rotiți cheia de siguranță la 1.



4. Stați în spatele produsului.
5. Slăbiți inhibitorul de pornire.

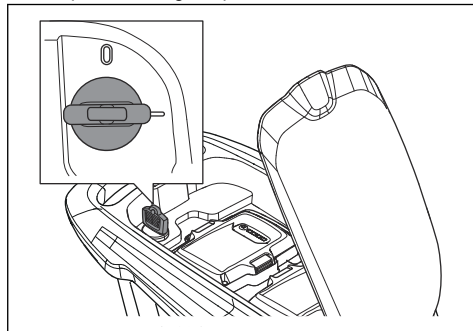


6. Împingeți maneta frânei de motor în direcția mânerului.

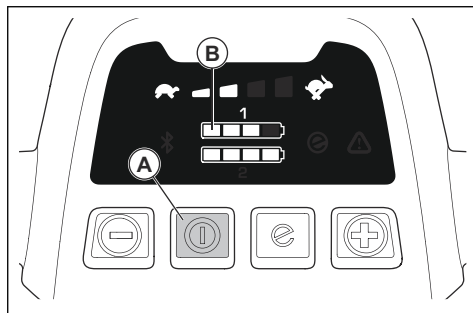


## Pornirea produsului (LC 347iVX, LC 353iVX)

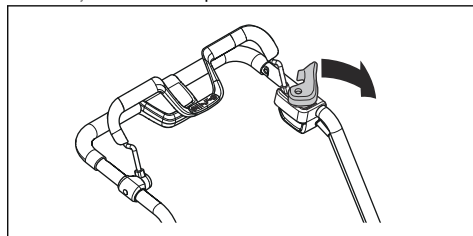
1. Deschideți capacul bateriei.
2. Introduceți o baterie încărcată în unul dintre suporturile pentru baterii. Pentru o durată mai lungă de funcționare, puneți a doua baterie încărcată în celălalt suport pentru baterii.
3. Rotiți cheia de siguranță la 1.



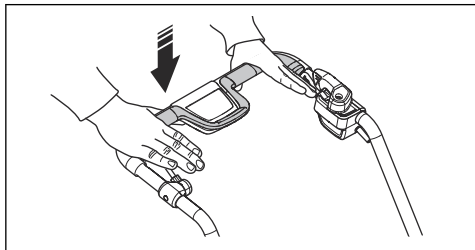
4. Stați în spatele produsului.
5. Apăsăți butonul ON/OFF (Pornire/oprire) (A) de pe panoul de control. Afișajul se aprinde. Indicatorul bateriei (B) indică nivelul de încărcare al celor 2 baterii. Numărul de baterii care funcționează este afișat lângă indicatorul bateriei. Pentru modelele LC 347iVX, LC 353iVX, afișajul indică, de asemenea, viteza setată.



6. Slăbiți inhibitorul de pornire.

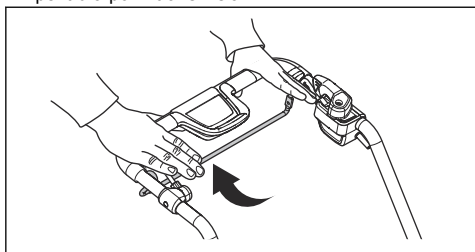


7. Împingeți maneta frânei de motor în direcția mânerului.

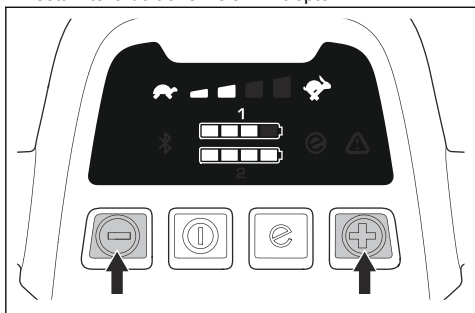


## Utilizarea transmisiei pe roți LC 347iVX, LC 353iVX

- Trageți maneta de transmisie în direcția mânerului pentru a porni transmisia.



- Apăsați pe + și pe - de pe panoul de control, pentru a seta viteza de transmisie în 4 trepte.

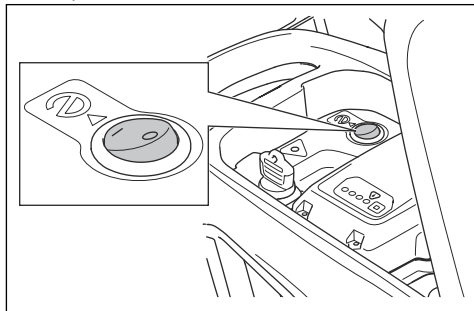


- Eliberați maneta de transmisie pentru a dezactiva transmisia, de exemplu atunci când vă apropiați de un obstacol.

## Utilizarea funcției Save™ Save™

Produsul are o funcție de economisire a bateriei (Save™) care îi asigură o durată mai lungă de funcționare.

- Apăsați butonul Save™ în poziția 1 pentru a porni funcția.



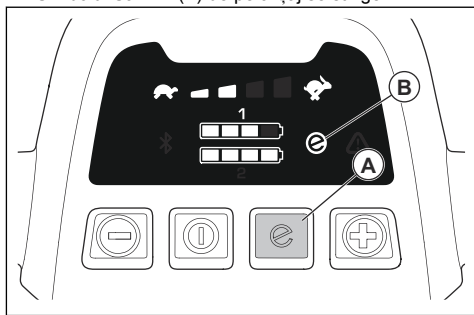
- Apăsați butonul Save™ în poziția 2 pentru a opri funcția.

**Nota:** Funcția Save™ se dezactivează automat când condițiile la sol impun o putere mai mare. Funcția Save™ se activează din nou automat când condițiile la sol o permit.

## Utilizarea funcției Save™ Save™

Produsul are o funcție de economisire a bateriei (Save™) care îi asigură o durată mai lungă de funcționare.

- Apăsați butonul Save™ (A) pentru a porni funcția. Simbolul Save™ (B) de pe afișaj se aprinde.
- Apăsați din nou butonul Save™ pentru a opri funcția. Simbolul Save™ (B) de pe afișaj se stinge.



**Nota:** Funcția Save™ se dezactivează automat când condițiile la sol impun să se folosească mai multă putere. Funcția Save™ se activează din nou automat când condițiile la sol permit acest lucru.

## Funcționarea cu sarcină ridicată

Atunci când produsul taie iarbă lungă sau umedă, motorul își mărește automat turația. Motorul revine la modul standard când sarcina ridicată nu mai este necesară.

## Repornire automată

În timpul funcționării, cuțitul și motorul se pot opri temporar din cauza unor obstacole precum blocarea ierbii sub capacul de tăiere. Dacă se întâmplă acest lucru și țineți mânerul frânei de motor apăsat în jos, produsul încearcă să repornească automat. Dacă produsul nu repornește în 5 secunde, poate fi necesar să curățați sub capacul de tăiere. Consultați *Curățarea produsului la pagina 530*.



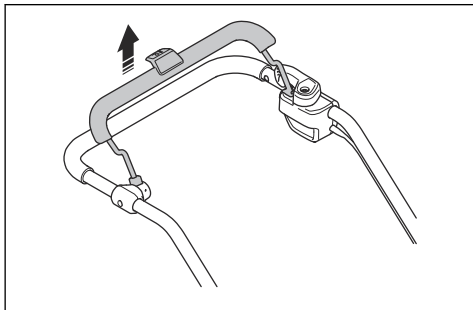
**AVERTISMENT:** Înainte de a verifica sub capacul de tăiere, eliberați mânerul frânei de motor, rotiți cheia de siguranță la 0, scoateți bateria și așteptați cel puțin 5 secunde. Există riscul de accidentare dacă obstacolul este îndepărtat și produsul pornește accidental.

## Oprirea produsului (LC 247i)

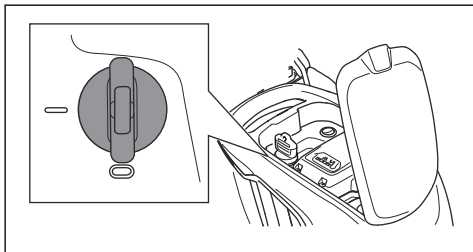


**AVERTISMENT:** Rotiți cheia de siguranță la poziția 0 înainte să lăsați produsul să iasă din câmpul vizual.

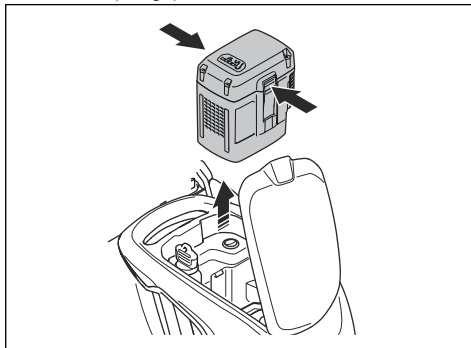
1. Eliberați maneta frânei de motor pentru a opri motorul.



2. Deschideți capacul bateriei și rotiți cheia de siguranță la 0.



3. Pentru a scoate bateria, apăsați cele 2 butoane de eliberare și trageți bateria în afară.



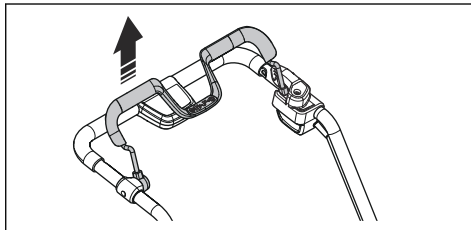
4. Încărcați bateria dacă este slabă. Pentru mai multe informații, consultați *Încărcarea bateriei la pagina 525*.

## Oprirea produsului (LC 347iVX, LC 353iVX)

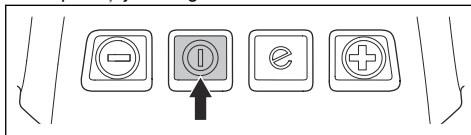


**AVERTISMENT:** Rotiți cheia de siguranță la poziția 0 înainte să lăsați produsul să iasă din câmpul vizual.

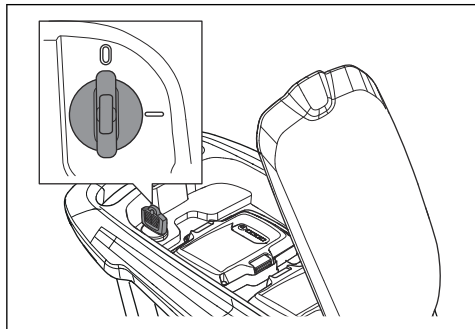
1. Eliberați maneta frânei de motor pentru a opri motorul.



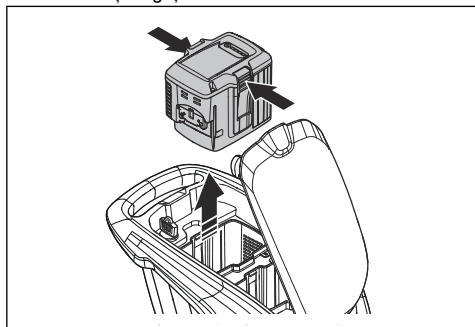
2. Apăsați butonul ON/OFF (Pornire/oprire) de pe panoul de control. Toate luminile LED și simbolurile de pe afișaj se sting.



3. Deschideți capacul bateriei și rotiți cheia de siguranță la 0.



4. Pentru a scoate bateria, apăsați cele 2 butoane de eliberare și trageți bateria în afară.



5. Încărcați bateria dacă este slabă. Pentru mai multe informații, consultați *Încărcarea bateriei la pagina 525*.

a reporni produsul, consultați *Pornirea produsului (LC 347iVX, LC 353iVX) la pagina 526*.

## Obținerea rezultatelor bune

- Utilizați întotdeauna o lamă ascuțită. O lamă tocită oferă rezultate neregulate, iar suprafața tăiată a ierbii se îngălbențește. De asemenea, o lamă ascuțită folosește mai puțină energie decât o lamă tocită.
- Nu tăiați niciodată mai mult de  $\frac{1}{2}$  din lungimea ierbii. Inițial, tundeți cu o înălțime mare de tăiere. Verificați rezultatul și coborâți înălțimea de tăiere la un nivel convenabil. Dacă iarba este foarte înaltă, deplasați aparatul încet și tundeți de două ori, dacă este necesar.
- Tăiați de fiecare dată în altă direcție, pentru a preveni formarea de dungi pe gazon.
- Păstrați capacul de tăiere curat. Acumularea de iarbă și murdărie pe partea interioară a capacului de tăiere poate reduce calitatea rezultatului tăierii. Consultați *Curățarea produsului la pagina 530*.

## Tăierea ierbii fără a instala colectorul de iarbă sau obturatorul pentru resturi vegetale

- Ridicați capacul posterior și scoateți colectorul de iarbă.
- Dacă obturatorul pentru resturi vegetale și cuțitul de mărunțire sunt atașate, îndepărtați-le.
- Închideți capacul posterior, înainte de utilizarea produsului.

Atunci când utilizați produsul, iarba tăiată este evacuată pe sub capacul posterior.

**Nota:** Produsul este scos automat de sub tensiune dacă nu-l utilizați timp de câteva minute. Pentru

## Întreținerea

### Introducere



**AVERTISMENT:** Înainte de a efectua orice operații de întreținere, citiți și înțelegeți capitolul privind siguranța.

Toate lucrările de service și de reparații la produs necesită instruire specială. Garantăm disponibilitatea unor lucrări profesionale de reparații și service. Dacă distribuitorul dvs. nu este agent de service, solicitați acestuia informații cu privire la cel mai apropiat agent de service.

Pentru informații mai detaliate, consultați [www.husqvarna.com](http://www.husqvarna.com).

### Program de întreținere

Intervalele de întreținere sunt calculate având în vedere o utilizare zilnică a produsului. Intervalele se modifică dacă produsul nu este utilizat zilnic.

Pentru operațiile de întreținere marcate cu \*, consultați instrucțiunile din *Siguranță la pagina 516*.

	La fiecare utilizare	Lunar	În fiecare sezon
Efectuați o inspecție generală	X		
Curățați produsul	X		
Verificați inhibitorul de pornire *	X		
Asigurați-vă că dispozitivele de siguranță de pe produs nu sunt defecte *	X		
Examinați echipamentul de tăiere	X		
Examinați capacul de tăiere *	X		
Verificați maneta frânei de motor *	X		
Asigurați-vă că butonul de pornire/oprire funcționează corect și nu este defect	X		
Verificați dacă bateria este deteriorată	X		
Verificați nivelul de încărcare a bateriei	X		
Asigurați-vă că butoanele de eliberare de pe baterie funcționează corect și că bateria este fixată în produs	X		
Verificați dacă încărcătorul de baterii nu prezintă deteriorări și asigurați-vă că funcționează corect.		X	
Examinați conexiunile dintre baterie și produs. Examinați, de asemenea, conexiunea dintre baterie și încărcător.			X

## Pentru a efectua o inspecție generală

- Asigurați-vă că șuruburile și piulițele produsului sunt strânse.
- Asigurați-vă că cablurile de pe produs nu sunt într-o poziție în care să poată fi deteriorate.

## Curățarea produsului

- Curățați componentele din plastic cu o cârpă curată și uscată.
- Nu utilizați apă pentru a curăța produsul. Apa poate pătrunde în baterie sau în motor și poate provoca scurtcircuite sau poate avaria produsul.
- Nu utilizați o instalație de spălare cu presiune ridicată pentru a curăța produsul.
- Nu stropiți niciodată direct motorul cu apă.
- Folosiți o perie pentru a elimina frunzele, iarba și murdăria.

## Pentru a curăța bateria și încărcătorul



**AVERTISMENT:** Nu curățați niciodată bateria sau încărcătorul bateriei cu apă.

- Asigurați-vă că bateria și încărcătorul sunt curate și uscate înainte să introduceți bateria în încărcător.

- Curățați bornele bateriei cu aer comprimat sau cu o cârpă moale și uscată.
- Curățați suprafețele bateriei și încărcătorul cu o cârpă moale și uscată.

## Pentru a examina echipamentul de tăiere



**AVERTISMENT:** Pentru a preveni pornirea accidentală, rotiți cheia de siguranță la 0, scoateți bateria și așteptați cel puțin 5 secunde.



**AVERTISMENT:** Purtați mănuși de protecție când efectuați întreținerea echipamentului de tăiere. Cușitul este foarte ascuțit și vă puteți tăia foarte ușor.

1. Examinați echipamentul de tăiere pentru a identifica eventuale deteriorări sau crăpături. Înlocuiți întotdeauna un echipament de tăiere deteriorat.
2. Observați cușitul pentru a vedea dacă este deteriorat sau tocit.

**Nota:** După ascuțirea cușitului, acesta trebuie echilibrat. Solicitați unui centru de service să ascuțească, să monteze la loc și să echilibreze cușitul. Dacă loviți un obstacol care determină produsul să se oprească,

Înlocuiți cuțitul deteriorat. Solicitați centrului de service să estimeze dacă lama poate fi ascuțită sau trebuie înlocuită.

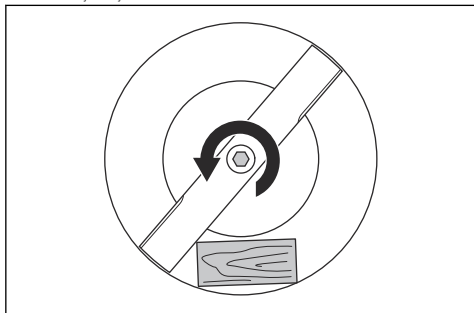
## Înlocuirea cuțitului

Pentru tipul corect de cuțit, consultați *Date tehnice la pagina 535*.

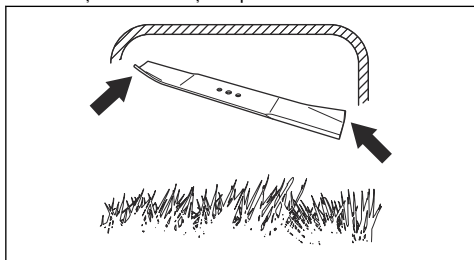


**AVERTISMENT:** Blocați cuțitul cu o bucată de lemn pentru a preveni rănirea degetelor când îl înlocuiți. Cuțitul se poate mișca și când motorul e oprit, iar degetele se pot prinde între lamă și piesele fixe.

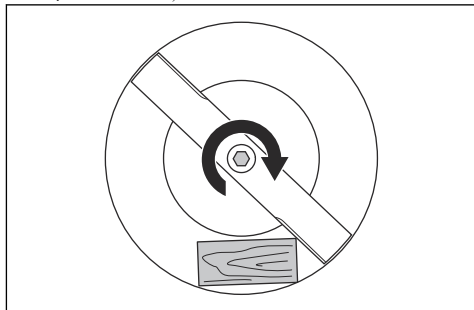
1. Blocați cuțitul cu o bucată de lemn.



2. Scoateți șurubul cuțitului.
3. Demontați cuțitul.
4. Examinați suportul și șurubul cuțitului pentru a vedea dacă există deteriorări.
5. Examinați arborele motorului, pentru a vă asigura că nu s-a îndoit.
6. Când montați un cuțit nou, îndreptați capetele oblice ale cuțitului în direcția capacului de tăiere.



7. Asigurați-vă că lama este aliniată cu centrul arborelui motorului.
8. Blocați cuțitul cu o bucată de lemn. Montați șaiba elastică și strângeți șurubul și șaiba la un cuplu cuprins între 23 și 28 Nm.



9. Învârtiți cuțitul cu mâna și asigurați-vă că se rotește liber.



**AVERTISMENT:** Purtați mănuși de protecție rezistente. Cuțitul este foarte ascuțit și vă puteți tăia foarte ușor.

10. Porniți produsul pentru a efectua un test al cuțitului. Dacă acesta nu este fixat corect, produsul vibrează sau rezultatele sunt nesatisfăcătoare.

## Depanarea

### Baterie

LED pe baterie	Cauză	Soluție
LED-ul verde se aprinde intermitent.	Tensiunea bateriei este joasă.	Încărcați bateria. Consultați <i>Încărcarea bateriei la pagina 525</i> .
LED-ul de eroare se aprinde intermitent.	Bateria este slabă.	Încărcați bateria. Consultați <i>Încărcarea bateriei la pagina 525</i> .
	Temperatura din mediul de lucru este prea mare sau prea mică.	Utilizați bateria la temperaturi între 5 și 40 °C.
	Supratensiune.	Asigurați-vă că tensiunea rețelei de alimentare este la fel cu cea indicată pe plăcuța de identificare de pe produs. Scoateți bateria din încărcător. Așteptați 5 secunde și încercați din nou să încărcați bateria. Dacă problema continuă, contactați un agent de service aprobat.
LED-ul de eroare este aprins.	Diferența dintre celule este prea mare (1 V).	Discutați cu un agent de service autorizat.

### Încărcător baterie

LED-ul de pe încărcătorul de baterii	Cauză	Soluție
LED-ul de eroare se aprinde intermitent.	Temperatura din mediul de lucru este prea mare sau prea mică.	Utilizați încărcătorul de baterii la temperaturi între 5 și 40 °C.
LED-ul de eroare este aprins.		Discutați cu un agent de service autorizat.

### Mașină de tuns iarbă

Indicatorul de avertisment (LED de eroare) se află sub capacul bateriei ((LC 247i)) sau pe panoul de comandă ((LC 347iVX, LC 353iVX)).



Problemă	LED de eroare (număr de aprinderi intermitente)	Cauză	Soluție
LED-ul de eroare luminează intermitent. Produsul nu funcționează corect.	3	Lama este blocată.	Rotiți cheia de siguranță la poziția 0 pentru a preveni pornirea accidentală. Scoateți bateria și așteptați minimum 5 secunde. Îndepărtați posibilele obstacole și asigurați-vă că lama se poate roti liber. Dacă problema continuă, contactați un agent de service aprobat.
	5	Turația motorului scade prea mult și motorul se oprește.	Măriți înălțimea de tăiere. Consultați <i>Pentru a seta înălțimea de tăiere la pagina 524.</i>
	6 <sup>81</sup>	Transmisia sau roțile sunt blocate.	Rotiți cheia de siguranță la poziția 0 pentru a preveni pornirea accidentală. Scoateți bateria și așteptați minimum 5 secunde. Îndepărtați posibilele obstacole și asigurați-vă că roțile se pot roti liber. Dacă problema continuă, contactați un agent de service aprobat.
	10	Controlul motorului este prea fierbinte.	Opriți motorul și așteptați până când acesta se răcește.
LED-ul de eroare luminează intermitent. Produsul se oprește.	0	Defecțiune la nivelul conectorului bateriei.	Examinați conectorul bateriei.
	3	Motorul este suprasolicitat.	Măriți înălțimea de tăiere. Consultați <i>Pentru a seta înălțimea de tăiere la pagina 524.</i>
	8	Bateria este slabă.	Încărcați bateria. Consultați <i>Încărcarea bateriei la pagina 525.</i>
	9	Eroare la nivelul bateriei sau nu există semnal de la baterie.	Instalați bateria corect în produs și examinați conectorul bateriei. Dacă LED-ul de eroare de pe baterie se aprinde intermitent, Consultați <i>Baterie la pagina 532.</i>
	12	Procedură de pornire incorectă. Maneta frânei de motor a fost cuplată înainte de pornirea motorului.	Eliberați maneta frânei de motor și așteptați circa 5 secunde. Apăsați din nou în jos maneta frânei de motor pentru a porni produsul.
Alte erori.	Dacă alte apar erori, rotiți cheia de siguranță la 0, scoateți bateria și contactați un agent de service autorizat.		

<sup>81</sup> LC 347iVX, LC353iVX

# Transportul, depozitarea și eliminarea

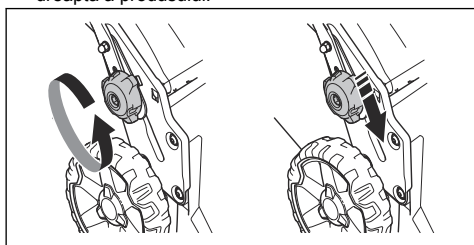
## Introducere



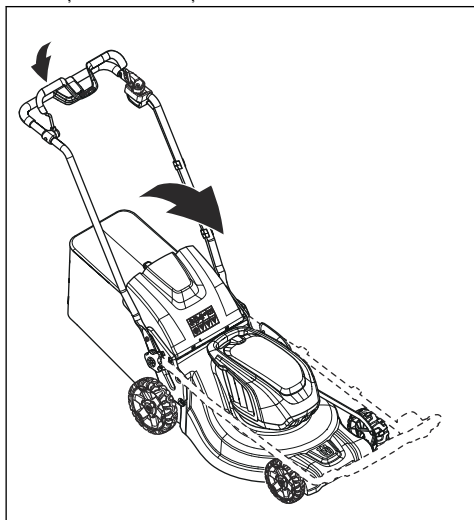
**AVERTISMENT:** Pentru a preveni pornirea accidentală în timpul transportului, rotiți cheia de siguranță la 0, scoateți bateria și așteptați minimum 5 secunde.

## Așezarea produsului în poziția pentru transport

1. Slăbiți butoanele inferioare.
2. Deplasați butoanele spre capătul inferior al canelurilor de pe partea stângă și de pe partea dreaptă a produsului.



3. Pliati mânerul în față.



4. Scoateți colectorul de iarbă.

## Transportul

- Cerințele din legislația privind bunurile periculoase se aplică pentru bateriile Li-ion incluse.

- Pentru transporturile comerciale cerințele speciale de pe ambalaj și etichete trebuie respectate.
- Respectați cu atenție reglementările privind materialele periculoase atunci când pregătiți produsul pentru transport. Pot exista reglementări locale aplicabile.
- Înainte de transport scoateți întotdeauna bateria.
- Aplicați bandă pe bornele bateriei și asigurați-vă că aceasta nu se poate deplasa în timpul transportului.
- Fixați produsul în timpul transportului.

## Depozitarea

- Înainte de a depozita produsul, lăsați-l să se răcească.
- Înainte de depozitare scoateți întotdeauna bateria.
- Pentru a preveni accidentele, asigurați-vă că bateria nu este conectată la produs în timpul depozitării.
- Păstrați încărcătorul într-un spațiu închis și uscat.
- Păstrați bateria și încărcătorul de baterie într-un spațiu uscat unde nu pătrunde umezeala sau înghețul.
- Deconectați bateria de la încărcător în timpul depozitării.
- Nu depozitați bateria într-un loc unde poate apărea electricitatea statică. Nu depozitați bateria într-o cutie metalică.
- Păstrați produsul într-un loc unde temperatura ambiantă este între -10 și 40 °C.
- Păstrați bateria într-un loc unde temperatura este cuprinsă între 5 și 25 °C și departe de lumina soarelui.
- Păstrați încărcătorul de baterii într-un loc unde temperatura este cuprinsă între 5 și 45 °C și departe de lumina soarelui.
- Asigurați-vă că bateria este încărcată în proporție de 30% - 50% înainte de a o depozita pe o perioadă lungă.
- Păstrați produsul, bateria și încărcătorul de baterii într-un loc încuiat, la care nu au acces copiii și persoanele neavizate.
- Curățați produsul și asigurați-vă că colectorul de iarbă este gol.
- Efectuați procedurile de întreținere descrise în acest manual. Consultați *Întreținerea* la pagina 529.
- Efectuați un service complet înainte de a depozita produsul pentru o perioadă lungă de timp.

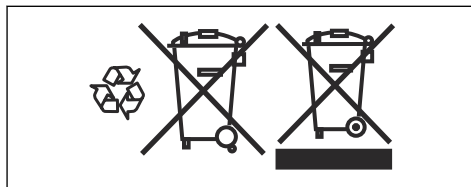
## Dezafectarea

Simbolurile de pe produs sau de pe ambalajul acestuia indică faptul că acest produs nu poate fi tratat ca deșeu menajer. Trebuie trimis la un

centru de reciclare corespunzător pentru recuperarea echipamentelor electrice și electronice.

Asigurându-vă că aveți grijă de acest produs în mod corect, puteți contribui la neutralizarea impactului negativ potențial asupra mediului înconjurător și asupra persoanelor; în caz contrar, putând conduce la gestionarea incorectă a deșeurilor acestui produs. Pentru informații mai detaliate referitoare la reciclarea acestui produs, contactați autoritățile, serviciul pentru

deșuri menajere sau magazinul de unde ați achiziționat produsul.



## Date tehnice

### Date tehnice

	LC 247i	LC 347iVX	LC 353iVX
<b>Motor de tăiere</b>			
Tip de motor	BLDC (fără perii) 36 V	BLDC (fără perii) 36 V	BLDC (fără perii) 36 V
Turația motorului – SavE, rpm	2600/min	2600/min	2600/min
Turația motorului – Valoarea nominală, rpm	3000/min	3000/min	3000/min
Turația motorului – Sarcină ridicată, rpm	3500/min	3500/min	3500/min
Putere motor – Valoare max., kW	0,96	0,96	1,05
Putere motor – Valoare nominală, kW	0,75	0,75	0,9
<b>Motorul de antrenare</b>			
Putere motor – Valoare nominală, kW	N/A	0,25	0,25
Viteză de deplasare independentă, km/h	N/A	3 - 4,5	3 - 4,5
Nivelurile de reglare a vitezei	N/A	4	4
<b>Greutate</b>			
Greutate fără sac (fără baterie), kg	24,5	26	28
Greutate cu sac (cu 2 BLi30), kg	30,5	32,0	34,5
<b>Baterie</b>			
Tip de baterie	Serie baterie Husqvarna		
<b>Timp funcționare baterie</b>			
Durata de utilizare a bateriei, minute, (funcționare liberă) cu funcția SavE activată, cu o baterie Husqvarna de 7,7 Ah (BLi30).	62	62	46
Durata de utilizare a bateriei, minute, (funcționare liberă) cu modul standard activat, cu o baterie Husqvarna de 7,7 Ah (BLi30).	43	43	28
<b>Emisiile de zgomot <sup>82</sup></b>			
Nivel de putere acustică măsurat dB(A)	94	94	97

<sup>82</sup> Emisiile de zgomot în mediu măsurate ca putere acustică ( $L_{WA}$ ) în conformitate cu directiva CE 2000/14/CE.

	LC 247i	LC 347iVX	LC 353iVX
Nivel de putere acustică garantat $L_{WA}$ dB(A)	95	95	98
<b>Niveluri de zgomot</b> <sup>83</sup>			
Nivel de presiune a sunetului la urechea operatorului, dB(A)	82	82	86
<b>Niveluri de vibrații</b> <sup>84</sup>			
Măner, $m/s^2$	0,42	0,42	2,64
<b>Echipament de tăiere</b>			
Înălțime de tăiere, mm	20-75 mm	20-75 mm	20-75 mm
Lățime de tăiere, cm	47	47	53
Standard lamă	Colectare 5905934-10	Colectare 5905934-10	Colectare 5940757-10
Accesoriu lamă	Mărunțire 5907010-10	Mărunțire 5907010-10	Mărunțire 5950072-10
Capacitate colector de iarbă, litri	55	55	60

Date de frecvență radio pentru Bluetooth®	LC 247i	LC 347iVX	LC 353iVX
Bandă de frecvență, GHz	N/A	2,4-2,4835	2,4-2,4835
Putere de ieșire, max. dBm	N/A	4	4

Baterii aprobate	Tip	Capacitate baterie, Ah	Tensiune, V	Greutate, lb/kg
BLi20	Litiu-ion	4,0	36	2,6/1,2
BLi30	Litiu-ion	7,7	36	4,2/1,9

Încărcătoarele aprobate pentru bateriile specificate, BLi	Tensiune de intrare, V	Frecvență, Hz	Putere, W
QC80	100-240	50-60	80
40-C80	100-240	50-60	68,8
QC250	100-240	50-60	250

<sup>83</sup> Datele raportate pentru nivelul de presiune sonoră au un factor de incertitudine (K) de 1,5 dB(A).

<sup>84</sup> Datele raportate pentru nivelul de vibrații au un factor de incertitudine (K) de 1,5  $m/s^2$ . Valoarea totală a vibrației declarate a fost măsurată în concordanță cu standardul EN 62841-4-3, Anexa I și poate fi utilizată pentru compararea utilajelor, precum și în cadrul unei evaluări preliminare a expunerii.

# Declarație de conformitate

## Declarație de conformitate UE

Noi, **Husqvarna AB**, SE-561 82 Husqvarna, Suedia, tel.:  
+46-36-146500, declarăm pe propria răspundere, că  
produsul:

<b>Descriere</b>	Mașină de tuns iarbă
<b>Marcă</b>	Husqvarna
<b>Tip/Model</b>	LC 247i
<b>Identificare</b>	Numere de serie începând cu 2021 și ulterior

respectă în totalitate următoarele directive și  
reglementări UE:

<b>Directivă/Regula- ment</b>	<b>Descriere</b>
2006/42/CE	„privind utilajele”
2014/30/UE	„privind compatibilitatea electromagnetică”
2000/14/CE	„privind emisiile de zgomot în mediul înconjurător”
2011/65/UE	„privind restricțiile de utilizare a anumitor substanțe periculoase la echipamente electrice și electronice”

și că au fost aplicate următoarele standarde și/sau  
specificații tehnice: EN 62841-1:2015+AC:2015, EN  
62841-4-3:2021+A11:2021, EN ISO 12100:2010, EN  
55014-1:2017+A11:2020, EN 55014-2:2015, EN IEC  
63000:2018.

Organismul notificat: 0404, RISE SMP Svensk  
Maskinprovning AB, Box 7035, SE-750 07 Uppsala  
a certificat conformitatea cu directiva 2000/14/CE a  
Consiliului, procedura de evaluare a conformității: Anexa  
VI.

Pentru informații privind emisiile de zgomot, consultați  
*Date tehnice la pagina 535.*

Husqvarna, 2021-12-01



Claes Losdal, Director de Dezvoltare / Produse de  
grădinărit, Husqvarna AB

Responsabil pentru documentația tehnică



## Declarație de conformitate UE

Noi, **Husqvarna AB**, SE-561 82 Husqvarna, Suedia, tel.: +46-36-146500, declarăm pe propria răspundere, că produsul:

<b>Descriere</b>	Mașină de tuns iarbă
<b>Marcă</b>	Husqvarna
<b>Tip/Model</b>	LC 347iVX, LC 353iVX
<b>Identificare</b>	Numere de serie începând cu 2021-12-01 și ulterior

respectă în totalitate următoarele directive și reglementări UE:

<b>Directivă/Regulament</b>	<b>Descriere</b>
2006/42/CE	„privind utilajele”
2014/53/UE	„referitoare la echipamentul radio”
2000/14/CE	„privind emisiile de zgomot în mediul înconjurător”
2011/65/UE	„privind restricțiile de utilizare a anumitor substanțe periculoase la echipamente electrice și electronice”

și că au fost aplicate următoarele standarde și/sau specificații tehnice: EN 62841-1:2015+AC:2015, EN 62841-4-3:2021+A11:2021, EN ISO 12100:2010, EN 55014-1:2017+A11:2020, EN 55014-2:2015, EN IEC 63000:2018, EN ETSI 300 328 v.2.2.2, EN 50663: 2017, ETSI EN 301 489-1 V2.2.3, ETSI EN 301 489-17 V3.2.4.

Organismul notificat: 0404, RISE SMP Svensk Maskinprovning AB, Box 7035, SE-750 07 Uppsala a certificat conformitatea cu directiva 2000/14/CE a Consiliului, procedura de evaluare a conformității: Anexa VI.

Pentru informații privind emisiile de zgomot, consultați *Date tehnice la pagina 535.*

Husqvarna, 2021-12-01

Claes Losdal, Director de Dezvoltare / Produse de grădinarit, Husqvarna AB

Responsabil pentru documentația tehnică



---

## Mărci comerciale înregistrate

---

Marca și siglele *Bluetooth®* sunt mărci comerciale înregistrate ale *Bluetooth SIG, inc.*, iar utilizarea lor de către Husqvarna se face sub licență.

---

## Содержание

---

Введение.....	539	Поиск и устранение неисправностей.....	559
Безопасность.....	542	Транспортировка, хранение и утилизация.....	561
Сборка.....	549	Технические данные.....	562
Эксплуатация.....	550	Декларация о соответствии.....	565
Техническое обслуживание.....	556	Зарегистрированные товарные знаки.....	566

---

## Введение

---

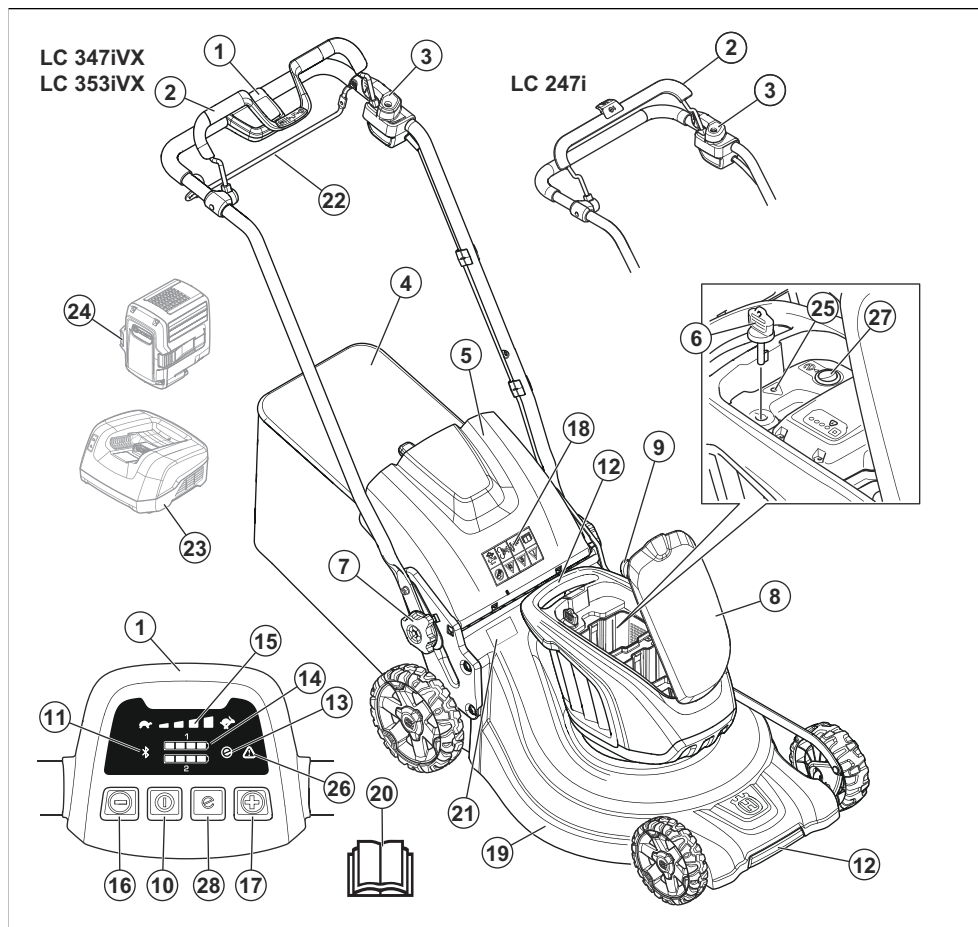
### Описание изделия

Изделие представляет собой пешеходную роторную газонокосилку. Трава собирается в травосборник. Снимите травосборник, чтобы трава отбрасывалась назад. Установите комплект для мульчирования (дополнительная принадлежность), чтобы использовать скошенную траву в качестве удобрения.

### Назначение

Используйте изделие для стрижки травы. Запрещается использовать изделие для других видов работ.

## Обзор агрегата



1. Панель управления (LC 347iVX, LC 353iVX)
2. Рукоятка моторного тормоза
3. Ограничитель запуска
4. Травосборник
5. Задняя крышка
6. Предохранительный ключ
7. Регулятор рукоятки
8. Кожух аккумулятора
9. Рычаг регулировки высоты кошения
10. Кнопка ВКЛ./ВЫКЛ.
11. Индикатор беспроводной технологии *Bluetooth®*
12. Подъемные рукоятки
13. Индикатор SavE
14. Индикатор аккумулятора

15. Индикатор уровня скорости (LC 347iVX, LC 353iVX)
16. Кнопка уменьшения скорости (LC 347iVX, LC 353iVX)
17. Кнопка увеличения скорости (LC 347iVX, LC 353iVX)
18. Условные обозначения
19. Кожух режущего оборудования
20. Руководство по эксплуатации
21. Паспортная табличка
22. Петля привода (LC 347iVX, LC 353iVX)
23. Зарядное устройство аккумулятора (принадлежность)
24. Аккумулятор (принадлежность)
25. Светодиодный индикатор ошибки (LC 247i)



26. Светодиодный индикатор ошибки (LC 347iVX, LC 353iVX)

27. Кнопка SavE (LC 247i)

28. Кнопка SavE (LC 347iVX, LC 353iVX)

## Условные обозначения на агрегате



ПРЕДУПРЕЖДЕНИЕ



Внимательно прочтите инструкции.



ПРЕДУПРЕЖДЕНИЕ: остерегайтесь отбрасываемых предметов.



Не допускайте приближения посторонних лиц.



ПРЕДУПРЕЖДЕНИЕ: не приближайте руки и ноги к ножам.



ПРЕДУПРЕЖДЕНИЕ: перед техническим обслуживанием отсоедините аккумулятор.



Запрещается утилизировать данный агрегат и его упаковку в качестве бытовых отходов. Агрегат необходимо передать в пункт переработки электрического и электронного оборудования.



Данный агрегат отвечает требованиям соответствующих директив ЕС.



Табличка с уровнем эмиссии шума в окружающую среду в соответствии с директивами и нормативами ЕС и Великобритании. Гарантированный уровень мощности звука агрегата

указан в *Технические данные* на стр. 562 и на табличке.

## IPX1

Данный агрегат имеет защиту от брызг.



Для остановки отпустите рукоятку моторного тормоза.



Сканируемый код

**Примечание:** Другие символы/наклейки на агрегате относятся к специальным требованиям сертификации на определенных рынках.

## Маркировка на агрегате



ОПАСНО: не допускайте контакта с руками и ногами.

## Ответственность изготовителя

В соответствии с законами об ответственности изготовителя мы не несем ответственности за ущерб, вызванный эксплуатацией нашего изделия в результате:

- ненадлежащего ремонта изделия;
- использования для ремонта изделия неоригинальных деталей или деталей, не одобренных производителем;
- использования неоригинальных дополнительных принадлежностей или принадлежностей, не одобренных производителем;
- ремонта изделия в неавторизованном сервисном центре или неквалифицированным специалистом;

---

# Безопасность

---

## Инструкции по технике безопасности

Предупреждения, предостережения и примечания используются для выделения особо важных пунктов руководства.



### ПРЕДУПРЕЖДЕНИЕ:

Используется, когда несоблюдение инструкций руководства может привести к травмам или смерти оператора или находящихся рядом посторонних лиц.



**ВНИМАНИЕ:** Используется, когда несоблюдение инструкций руководства может привести к повреждению изделия, других материалов или прилегающей территории.

**Примечание:** Используется для предоставления дополнительных сведений о конкретной ситуации.

## Общие меры предосторожности при работе с агрегатом



### ПРЕДУПРЕЖДЕНИЕ:

**Ознакомьтесь со всеми предупреждениями, инструкциями, иллюстрациями и положениями, касающимися техники безопасности и прилагаемыми к данному агрегату.** Несоблюдение всех указанных ниже инструкций может привести к поражению электрическим током, пожару и/или тяжелым травмам.

Сохраните все предупреждающие указания и инструкции для последующего обращения. Под словом "агрегат" в данном документе понимается электрический агрегат, работающий от сети (проводной) либо от аккумулятора (беспроводной).

## Техника безопасности на рабочем месте

- Рабочее место должно содержаться в чистоте и быть хорошо освещено. Загромождения или отсутствие освещения могут стать причиной несчастных случаев.
- Не пользуйтесь агрегатом во взрывоопасной атмосфере, например, в присутствии легковоспламеняющихся жидкостей, газов или пыли. Агрегат производит искры, которые могут воспламенить пыль или пары жидкостей.
- Не допускайте приближения детей и посторонних лиц к вам во время работы агрегата. Это может

отвлечь ваше внимание и привести к потере управления.

## Электрическая безопасность

- Вилка агрегата должна соответствовать электрической розетке. Запрещается изменять конструкцию вилки. Запрещается использовать переходники при работе с заземленными агрегатами. Отсутствие изменений в конструкции вилок и их соответствие розеткам снижает опасность поражения электрическим током.
- Избегайте контакта любых частей тела с заземленными поверхностями, такими как трубы, батареи отопления, кухонные плиты и холодильники. Заземление тела увеличивает риск поражения электрическим током.
- Не подвергайте агрегаты воздействию воды или высокой влажности. Попадание воды внутрь агрегата увеличивает риск поражения электрическим током.
- Используйте шнур только по прямому назначению. Никогда не носите и не тяните агрегат за шнур и не дергайте за него, чтобы выключить агрегат из розетки. Держите шнур вдали от источников тепла, масла, острых углов или движущихся деталей. Эксплуатация поврежденного или запутанного шнура увеличивает риск поражения электротоком.
- При работе с агрегатом вне помещений используйте подходящий удлинитель для наружных работ. Применение шнура, предназначенного для уличного использования, снижает опасность поражения электрическим током.
- Если неизбежно требуется применение агрегата во влажной среде, используйте источник питания, оснащенный устройством защитного отключения (УЗО). Применение УЗО снижает опасность поражения электрическим током.

## Личная безопасность

- При работе с агрегатом будьте бдительны, следите за своими действиями и руководствуйтесь здравым смыслом. Не используйте агрегат, если вы устали или находитесь под воздействием наркотических средств, алкоголя или лекарств. Малейшая невнимательность при работе с агрегатом может обернуться серьезными травмами.
- Пользуйтесь средствами индивидуальной защиты. Всегда носите защитные очки. Средства индивидуальной защиты, такие как респиратор, нескользящая защитная обувь, каска или средства защиты органов слуха, существенно снижают риск получения травм.

- **Примите меры по предотвращению случайного включения агрегата. Перед подключением агрегата к источнику питания и/или аккумуляторному блоку, его подъемом или переноской убедитесь, что переключатель находится в выключенном положении.** Не переносите агрегат, держа палец на переключателе, а также не подавайте питание на агрегаты с включенным переключателем, т.к. это может привести к несчастному случаю.
- **Уберите все гаечные и регулировочные ключи, прежде чем включать агрегат.** Ключ, оставленный на вращающейся части агрегата, может стать причиной травмы.
- **Не вытягивайте руки с агрегатом слишком далеко. Всегда сохраняйте равновесие и устойчиво ставьте ноги.** Это позволит лучше контролировать агрегат в случае возникновения непредвиденной ситуации.
- **Надевайте соответствующую одежду. Не надевайте свободную одежду или украшения. Не допускайте попадания волос и одежды в движущиеся части агрегата.** Свободная одежда, украшения или длинные волосы могут попасть в движущиеся части.
- **Если агрегат может дополнительно оснащаться устройствами для сбора и удаления пыли, убедитесь, что они подключаются и используются надлежащим образом.** Такие устройства способствуют снижению опасностей, связанных с наличием пыли.
- **Не допускайте, чтобы чувство уверенности, приобретенное вследствие частого использования агрегата, позволило вам забыть об опасностях и игнорировать принципы обеспечения безопасности.** Неосторожные действия могут привести к тяжелой травме за долю секунды.

## Эксплуатация агрегата и уход за ним

- **Не перегружайте агрегат. Убедитесь, что агрегат подходит для выполнения конкретной задачи.** Правильно подобранный агрегат лучше и надежнее справится с задачей, соответствующей его конструктивным характеристикам.
- **Не пользуйтесь агрегатом, если его переключатель не работает.** Если управление агрегатом с помощью переключателя невозможно, такой агрегат представляет опасность и подлежит обязательному ремонту.
- **Прежде чем производить какую-либо настройку агрегата, заменять принадлежностей или убирать его на хранение, отключите агрегат от источника питания и/или снимите аккумуляторный блок (если снимается).** Эти меры предосторожности позволяют исключить риск случайного включения агрегата.
- **Храните неиспользуемые агрегаты в недоступном для детей месте и не позволяйте работать с агрегатом лицам, не ознакомленным**

с ним и с данными правилами техники безопасности. Агрегаты в руках неопытных пользователей являются источником опасности.

- **Поддерживайте агрегат и принадлежности в надлежащем состоянии. Проверьте точность настройки и отсутствие заедания движущихся частей, отсутствие поломанных деталей и иных неисправностей, которые могут нарушить работу агрегата. В случае обнаружения какой-либо неисправности устраните ее перед использованием агрегата.** Многие несчастные случаи возникают из-за недостаточно тщательного ухода за агрегатами.
- **Поддерживайте остроту и чистоту режущих инструментов.** Исправные режущие инструменты с острыми режущими кромками меньше подвержены поломкам и более просты в управлении.
- **Используйте агрегат, принадлежности, наконечники и т. д. в соответствии с данными инструкциями, принимая во внимание условия работы и специфику выполняемой задачи.** Применение агрегата не по назначению может создать опасные ситуации
- **Рукоятки и поверхности захвата должны быть сухими и чистыми, без следов масла и смазки.** Скользкие рукоятки и поверхности захвата препятствуют безопасному обращению и управлению агрегатом в непредвиденных ситуациях.

## Сервисное обслуживание

- **Сервисное обслуживание агрегата должны выполнять квалифицированные специалисты по ремонту оборудования с использованием только идентичных запчастей.** Это гарантирует безопасность эксплуатации агрегата.
- **Никогда не выполняйте обслуживание поврежденных аккумуляторных блоков.** Обслуживание аккумуляторных блоков должно выполняться только производителем или специалистами авторизованных сервисных центров.

## Эксплуатация и обслуживание аккумуляторного инструмента

- **Выполняйте подзарядку только с помощью зарядного устройства, указанного производителем.** Зарядное устройство, подходящее для одного типа блока аккумуляторов, может создать опасность возгорания при использовании с блоком аккумуляторов другого типа.
- **Используйте оборудование только со специально предназначенными блоками аккумуляторов.** Использование других блоков аккумуляторов может создать опасность травмы или возгорания.
- **Когда блок аккумуляторов не используется, храните его вдали от других металлических предметов, таких как скрепки, монеты, ключи,**

гвозди, винты или прочие мелкие предметы, которые могут замкнуть клеммы аккумулятора. Замыкание клемм аккумулятора может привести к ожогам или пожару.

- При неправильном обращении из аккумулятора может вытечь жидкость; не допускайте контакта с вытекшей жидкостью. При случайном прикосновении промойте место соприкосновения водой. При попадании жидкости в глаза обратитесь за медицинской помощью. Вытекшая из аккумулятора жидкость может привести к раздражению или ожогу.
- Запрещается использовать блок аккумуляторов или инструмент, если они повреждены или модифицированы. Поврежденные или подвергнутые модификации аккумуляторы могут работать неисправно, что приведет к возникновению пожара, взрыва или риску травм.
- Не подвергайте блок аккумуляторов или инструмент воздействию огня или чрезмерно высоким температурам. Воздействие огня или температуры выше 130°C / 265°F может привести к взрыву.
- Точно следуйте всем инструкциям по зарядке и ни в коем случае не заряжайте блок аккумуляторов или инструмент при температуре, выходящей за пределы указанного в инструкциях диапазона. Ненадлежащая зарядка или зарядка при температуре выше или ниже указанного диапазона может привести к повреждению аккумулятора и повышенному риску пожара.

## Меры предосторожности при эксплуатации газонокосилки

- Не используйте газонокосилку в плохих погодных условиях, особенно если существует риск удара молнии. Это позволяет уменьшить риск поражения молнией.
- Тщательно осмотрите участок, где будет использоваться газонокосилка, на наличие диких животных. Во время работы газонокосилка может травмировать диких животных.
- Внимательно осмотрите место эксплуатации газонокосилки, уберите все камни, палки, провода, кости и прочие посторонние предметы. Отбрасываемые предметы могут стать причиной травмы.
- Каждый раз перед эксплуатацией газонокосилки осматривайте нож и его крепление на наличие износа и повреждений. Поврежденные или изношенные детали повышают риск получения травмы.
- Перед эксплуатацией проверьте шнур питания и удлинитель на наличие признаков повреждения или износа. Запрещается использовать газонокосилку, если шнур поврежден или изношен. Если шнур поврежден или изнашивается во время работы, выключите газонокосилку и не прикасайтесь к шнуру, пока он не будет отсоединен от источника питания.

Поврежденный шнур питания или удлинитель может привести к поражению электрическим током, пожару и/или тяжелым травмам.

- Регулярно проверяйте травосборник на наличие износа или повреждений. Поврежденный или изношенный травосборник повышает риск получения травмы.
- Кожи должны быть всегда установлены. Кожи должны быть исправны и установлены надлежащим образом. Незакрепленный, поврежденный или неправильно используемый кожух может стать причиной травмы.
- Следите за тем, чтобы на воздухозаборниках не было загрязнений. Засоренные воздухозаборники и мусор могут привести к перегреву или возгоранию.
- При работе с газонокосилкой всегда надевайте защитную обувь с нескользящей подошвой. Запрещается работать с газонокосилкой босиком или в открытых сандалиях. Эта мера необходима для снижения вероятности получения травм ног от контакта с движущимся ножом.
- При эксплуатации газонокосилки обязательно надевайте длинные брюки. Непокрытые участки тела подвержены большему риску получения травмы от отбрасываемых предметов.
- Запрещается эксплуатировать газонокосилку на влажной траве. Во время эксплуатации агрегата следует идти, ни в коем случае не бежать. Это снижает риск поскользывания и падения и, как следствие, получения травм.
- Запрещается использовать газонокосилку на очень крутых склонах. Это снижает риск потери управления, поскользывания и падения и, как следствие, получения травм.
- При работе на склонах всегда сохраняйте устойчивое положение, перемещайтесь поперек склона, никогда не двигайтесь вверх или вниз и будьте предельно осторожны при изменении направления движения. Это снижает риск потери управления, поскользывания и падения и, как следствие, получения травм.
- Будьте особенно внимательны при подаче агрегата назад или перемещении его на себя. Всегда следите за окружающей обстановкой. Это снижает риск спотыкания во время работы.
- Держите шнур питания на безопасном расстоянии от ножей. Поврежденный шнур питания может привести к поражению электрическим током, пожару и/или тяжелым травмам.
- В случае спутывания или повреждения шнура выключите агрегат и извлеките вилку из розетки. Спутанные или поврежденные шнуры повышают риск поражения электрическим током.
- Не прикасайтесь к ножам и другим опасным движущимся частям, пока они находятся в движении. Это снижает риск получения травм от движущихся частей.

- **Перед удалением застрявшего материала или очисткой агрегата убедитесь, что все переключатели питания отключены, а шнур питания отсоединен.** Неожиданное срабатывание газонокосилки может привести к серьезной травме.

## Устройство защитного отключения

- Используйте устройство защитного отключения с током отключения не более 30 мА.

## Общие инструкции по технике безопасности



**ПРЕДУПРЕЖДЕНИЕ:** В обязательном порядке прочитайте следующие инструкции по технике безопасности, прежде чем приступать к эксплуатации агрегата.

- При небрежном или неправильном обращении агрегат может представлять собой опасность. Несоблюдение инструкций по технике безопасности может привести к травмам или смерти.
- Во время работы данный агрегат создает электромагнитное поле. В определенных обстоятельствах это поле может создавать помехи для пассивных и активных медицинских имплантатов. В целях снижения риска серьезной или смертельной травмы лицам с медицинскими имплантатами рекомендуется проконсультироваться с врачом и изготовителем имплантата, прежде чем приступать к эксплуатации данного агрегата.
- Всегда соблюдайте осторожность и руководствуйтесь здравым смыслом. Если вы не уверены, как правильно эксплуатировать агрегат в определенной ситуации, прекратите работу и проконсультируйтесь со своим дилером Husqvarna, прежде чем продолжать.
- Помните: ответственность за аварию, угрожающие другим людям или их имуществу, несет оператор.
- Содержите агрегат в чистоте. Следите за тем, чтобы знаки и наклейки были легко читаемыми.
- Ни в коем случае не позволяйте использовать оборудование детям или лицам, не ознакомившимся с данными инструкциями. Допустимый возраст пользователя может быть ограничен местным законодательством.
- Не оставляйте без присмотра людей с физическими или умственными нарушениями, использующих агрегат. Они должны постоянно находиться под присмотром взрослого.
- Ни в коем случае не используйте агрегат, если вы устали, больны или находитесь под воздействием алкоголя, наркотических веществ или лекарственных препаратов. Это может

повлиять на ваше зрение, реакцию, координацию или оценку действительности.

- Запрещается использовать агрегат, если он поврежден.
- Запрещается вносить изменения в агрегат или использовать его, если вы подозреваете, что конструкция была модифицирована другими лицами.

## Техника безопасности



**ПРЕДУПРЕЖДЕНИЕ:** В обязательном порядке прочитайте следующие инструкции по технике безопасности, прежде чем приступать к эксплуатации агрегата.

- Агрегат предназначен исключительно для скашивания травы на газонах. Запрещается использовать агрегат не по назначению.
- Пользуйтесь средствами индивидуальной защиты. См. раздел *Средства индивидуальной защиты на стр. 546*.
- Убедитесь, что вы знаете, как быстро остановить двигатель в аварийной ситуации.
- Запрещается эксплуатировать агрегат под дождем или в условиях высокой влажности. При попадании воды внутрь агрегата повышается риск поражения электрическим током.
- Ни в коем случае не используйте агрегат с отсутствующими или неправильно установленными кожухами или ножом. Неправильно установленный нож может высвободиться и причинить травму.
- Следите за тем, чтобы в нож не попали посторонние предметы, например, камни и корни. Это может затупить нож и привести к искривлению вала двигателя. При сгибании оси увеличивается уровень вибрации, что может привести к снижению надежности крепления ножа.
- В случае удара ножа об посторонний предмет или возникновения вибрации незамедлительно остановите агрегат. Остановите двигатель, поверните предохранительный ключ в положение "0" и снимите аккумулятор. Дождитесь остановки движущихся частей. Проверьте агрегат на наличие повреждений. Затяните ослабленные детали. Выполните ремонт и замену поврежденных деталей. Обратитесь в авторизованный сервисный центр для выполнения ремонта.
- Во время работы двигателя не прижимайте рукоятку моторного тормоза к рукоятке агрегата на длительный период времени.
- При запуске агрегат должен находиться на устойчивой, ровной поверхности. Убедитесь, что нож не касается грунта или любого другого предмета.

- При работе с агрегатом всегда стойте сзади.
- При работе с агрегатом все колеса должны стоять на земле; держите рукоятку обеими руками. Не приближайте руки или ноги к вращающимся ножам.
- Не наклоняйте агрегат при запуске двигателя или во время работы.
- Соблюдайте осторожность, когда тянете агрегат назад.
- Запрещается поднимать агрегат во время работы двигателя. В случае необходимости поднять агрегат сначала выключите двигатель, поверните предохранительный ключ в положение "0" и извлеките аккумулятор.
- Запрещается двигаться назад при работе с агрегатом.
- Остановите двигатель, если необходимо наклонить агрегат для транспортировки или перед перемещением по участкам без травы, например по дорожкам из гравия, камня или асфальта.
- Запрещается бегать с агрегатом во время работы двигателя. Работайте с агрегатом в спокойном темпе.
- Выключайте двигатель, прежде чем изменить высоту стрижки. Ни в коем случае не выполняйте регулировку при работающем двигателе.
- Ни в коем случае не выпускайте из вида агрегат с работающим двигателем. Остановите двигатель и убедитесь, что режущее оборудование не вращается.
- Вибрации агрегата во время работы могут отличаться от заявленного значения, приведенного в разделе *Технические данные на стр. 562*. Эта разница объясняется зависимостью уровня вибрации от условий эксплуатации агрегата. При частом или продолжительном использовании агрегата регулярно делайте перерывы во избежание травм от вибрации.

## Инструкции по безопасности во время эксплуатации

### Средства индивидуальной защиты



**ПРЕДУПРЕЖДЕНИЕ:** В обязательном порядке прочитайте следующие инструкции по технике безопасности, прежде чем приступить к эксплуатации агрегата.

- Средства индивидуальной защиты не могут полностью исключить риск получения травмы, но при несчастном случае они снижают тяжесть травмы. За помощью по правильному выбору оборудования обращайтесь к дилеру.

- Используйте прочные, противоскользящие ботинки. Запрещается надевать открытую обувь или работать босиком.
- Надевайте прочные длинные брюки.
- При необходимости надевайте защитные перчатки, например, при закреплении, проверке или очистке режущего оборудования.
- Рекомендуется использовать защитные наушники.

### Защитные устройства на агрегате



**ПРЕДУПРЕЖДЕНИЕ:** В обязательном порядке прочитайте следующие инструкции по технике безопасности, прежде чем приступить к эксплуатации агрегата.

- Запрещается использовать агрегат с неисправными защитными устройствами.
- Не вносите никакие изменения в защитные устройства и не снимайте их.
- Регулярно выполняйте проверку защитных устройств. Если защитные устройства неисправны, обратитесь в сервисный центр Husqvarna.

### Проверка режущей деки

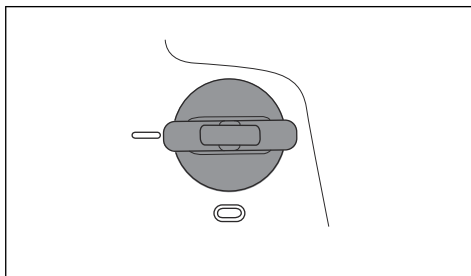
Режущая дека снижает уровень вибрации изделия и риск травмирования ножом.

- Проверьте режущую деку и убедитесь, что на ней отсутствуют повреждения, такие как трещины.

### Проверка предохранительного ключа

Предохранительный ключ расположен под крышкой аккумулятора. Предохранительный ключ подключает аккумулятор, от которого на двигатель поступает питание.

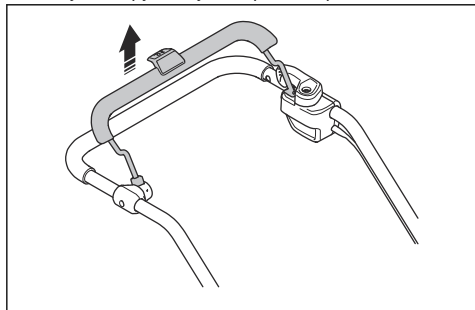
- Чтобы проверить работу предохранительного ключа, запустите и остановите двигатель.
- Если ключ исправен, то двигатель можно запустить только при переводе ключа в положение "1".



## Проверка рукоятки моторного тормоза

Рукоятка моторного тормоза предназначена для остановки двигателя. При отпускании рукоятки тормоза двигатель останавливается.

- Запустите агрегат. См. раздел *Эксплуатация на стр. 550*.
- Отпустите рукоятку моторного тормоза.

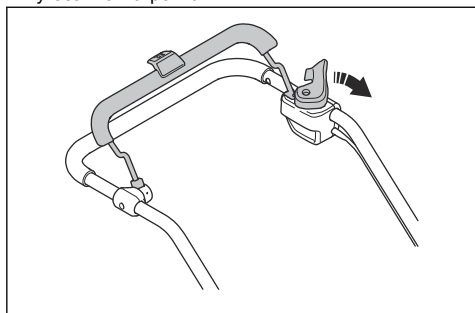


- Убедитесь, что агрегат остановился. Если двигатель не остановится через 3 секунды, обратитесь в авторизованный сервисный центр Husqvarna для регулировки моторного тормоза.

## Проверка работы ограничителя запуска

Проверьте ограничитель запуска и убедитесь, что он блокирует работу двигателя.

1. Прижмите рукоятку моторного тормоза в направлении рукоятки агрегата. Ограничитель запуска остановит движение рукоятки.
2. Поверните ограничитель запуска в направлении, указанном стрелкой.



3. Разблокируйте ограничитель запуска и убедитесь, что он возвращается в исходное положение.

## Техника безопасности при работе с аккумулятором



**ПРЕДУПРЕЖДЕНИЕ:** В обязательном порядке прочитайте следующие инструкции по технике

безопасности, прежде чем приступить к эксплуатации агрегата.

- Используйте перезаряжаемые аккумуляторы Husqvarna только с теми агрегатами Husqvarna, для которых они предназначены. Во избежание травм запрещается использовать аккумулятор в качестве источника питания других агрегатов.
- Запрещается использовать одноразовые батарейки.
- Риск поражения электрическим током. Не допускайте соприкосновения клемм аккумулятора с ключами, монетами, винтами или другими металлическими предметами. Это может привести к короткому замыканию аккумулятора.
- Не размещайте посторонние предметы на воздухозаборниках аккумулятора.
- Аккумулятор не должен подвергаться воздействию солнечного света, тепла или открытого пламени. Аккумулятор может взорваться, став причиной ожогов, в том числе химических.
- Защищайте аккумулятор от дождя и сырости.
- Не подвергайте аккумулятор воздействию микроволн и высокого давления.
- Не пытайтесь разбирать или ломать аккумулятор.
- При возникновении утечки из аккумулятора не допускайте попадания жидкости на кожу или в глаза. Если вы прикоснулись к жидкости, промойте участок контакта большим количеством воды и обратитесь за медицинской помощью.
- Используйте аккумулятор в агрегате только при температуре окружающей среды в диапазоне от 5 до 40 °C.
- Используйте зарядное устройство только при температуре окружающей среды в диапазоне от 5 до 40 °C.
- Аккумулятор не будет заряжаться, если его температура превышает 50 °C.
- Очистка аккумулятора или зарядного устройства водой запрещена. См. раздел *Очистка аккумулятора и зарядного устройства на стр. 557*.
- Запрещается использовать неисправный или поврежденный аккумулятор.
- Храните аккумуляторы вдали от металлических предметов, таких как гвозди, монеты или ювелирные изделия.

## Техника безопасности при работе с зарядным устройством аккумулятора



**ПРЕДУПРЕЖДЕНИЕ:** В обязательном порядке прочитайте следующие инструкции по технике безопасности, прежде чем приступить к эксплуатации агрегата.

- Для зарядки перезаряжаемых аккумуляторов Husqvarna используйте только зарядные устройства QC.
- Риск поражения электрическим током или короткого замыкания. Не размещайте посторонние предметы на воздухозаборниках зарядного устройства. Не пытайтесь разбирать зарядное устройство. Ни в коем случае не подключайте клеммы зарядного устройства к металлическим предметам. Используйте одобренные сетевые розетки.
- Во время работы данный агрегат создает электромагнитное поле. В определенных обстоятельствах это поле может создавать помехи для пассивных и активных медицинских имплантатов. В целях снижения риска серьезной или смертельной травмы лицам с медицинскими имплантатами рекомендуется проконсультироваться с врачом и изготовителем имплантата, прежде чем приступать к эксплуатации данного агрегата.
- Регулярно проверяйте кабель питания зарядного устройства на наличие повреждений или трещин.
- Не поднимайте зарядное устройство за кабель питания. Для отсоединения зарядного устройства от сетевой розетки потяните за вилку. Не тяните за шнур питания.
- Не допускайте контакта кабеля питания и удлинителя с водой, маслом или с острыми краями. Убедитесь, что кабель не пережат дверью, калиткой и т.д. В противном случае зарядное устройство может оказаться под напряжением.
- Запрещается чистить аккумулятор и зарядное устройство водой.
- Дети старше 8 лет и лица с ограниченными физическими, сенсорными или умственными способностями или недостатком опыта и знаний могут использовать зарядное устройство только под надзором или в случае предоставления инструкций относительно безопасной эксплуатации оборудования и возможных рисков. Не позволяйте детям играть с зарядным устройством. Очистка и техническое обслуживание пользователем не должны проводиться детьми без надзора.
- Не пытайтесь заряжать одноразовые аккумуляторные батареи в зарядном устройстве.
- Запрещается использовать зарядное устройство вблизи легковоспламеняющихся материалов и материалов, которые вызывают коррозию. Не накрывайте зарядное устройство. Вытащите вилку зарядного устройства из розетки в случае появления дыма или огня.
- Запрещается использовать неисправное или поврежденное зарядное устройство.
- Заряжайте аккумулятор только в хорошо проветриваемом помещении вдали от солнечных

лучей. Запрещается заряжать аккумулятор в условиях высокой влажности.

## Инструкции по технике безопасности во время технического обслуживания



**ПРЕДУПРЕЖДЕНИЕ:** В обязательном порядке прочитайте следующие инструкции по технике безопасности, прежде чем приступать к эксплуатации агрегата.

- Во избежание случайного запуска во время обслуживания поверните предохранительный ключ в положение "0" и извлеките аккумулятор. Подождите не менее 5 секунд, прежде чем приступить к обслуживанию.
- Выполняйте техобслуживание строго в соответствии с инструкциями, приведенными в руководстве по эксплуатации. Более масштабные работы по обслуживанию и профессиональному ремонту должны выполняться специалистами авторизованного сервисного центра. Для получения дополнительной информации обратитесь в ближайшее представительство компании.
- Чтобы продлить срок службы агрегата и снизить вероятность несчастных случаев, соблюдайте все требования к проведению обслуживания.
- Замените поврежденные, сломанные или изношенные детали. Всегда используйте оригинальные запчасти от производителя. Другие запчасти могут привести к повреждению агрегата и повлиять на риск несчастных случаев.
- Во избежание травм не носите никакие изменения в защитные устройства и не снимайте их.
- При работе с режущим оборудованием используйте прочные перчатки. Нож очень острый, что при неосторожном обращении может легко привести к порезам.
- Для повышения качества и безопасности работы регулярно затачивайте и чистите режущие кромки.
- Регулярно обращайтесь в сервисный центр для проверки агрегата и выполнения необходимых регулировок и ремонта.
- Соблюдайте указания по замене принадлежностей. Пользуйтесь только оригинальными принадлежностями.
- Храните агрегат, аккумулятор и зарядное устройство по отдельности в сухом помещении под замком. Не допускайте к агрегату, аккумулятору и зарядному устройству детей и лиц, не имеющих соответствующего разрешения.



# Сборка

## Введение



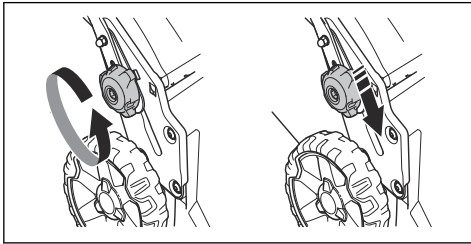
**ПРЕДУПРЕЖДЕНИЕ:** Прежде чем выполнять сборку изделия, прочитайте раздел, посвященный технике безопасности.



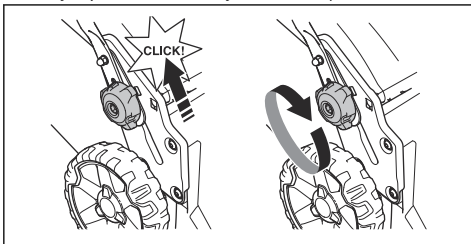
**ПРЕДУПРЕЖДЕНИЕ:** Во избежание случайного запуска во время сборки переведите предохранительный ключ в положение "0", извлеките аккумулятор и подождите не менее 5 секунд.

## Регулировка рукоятки

1. Ослабьте нижние ручки.
2. Переместите ручки в нижние положения в пазах с левой и правой стороны изделия.



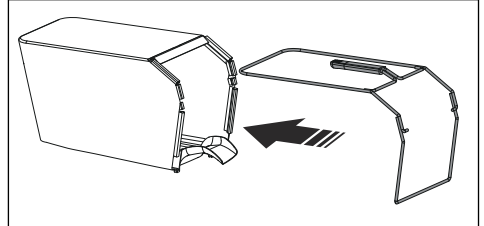
3. Установите рукоятку в одно из 2 доступных положений по высоте.
4. Переместите ручки вверх в направлении рукоятки до упора. Вы должны услышать щелчок.



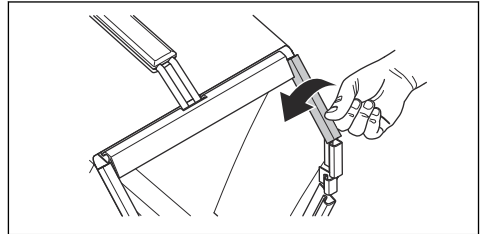
5. Надежно затяните ручки.

## Установка травосборника

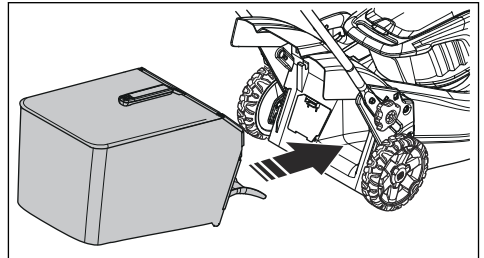
1. Установите раму травосборника на мешок травосборника таким образом, чтобы жесткая часть мешка оказалась внизу. Ручка рамы должна располагаться поверх мешка.



2. Установите нижнюю часть рамы травосборника в канавку в нижней части травосборника.
3. Закрепите мешок на раме травосборника зажимами.



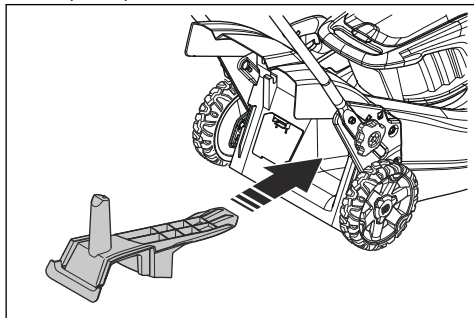
4. Поднимите заднюю крышку.
5. Установите травосборник на верхний край шасси.
6. Поместите нижнюю часть травосборника в канал для выброса травы.



## Установка пробки для мульчирования (принадлежность)

1. Поднимите заднюю крышку и снимите травосборник.

2. Вставьте пробку для мульчирования в канал для выброса травы.



3. Замените нож ножом для мульчирования, поставляемым в составе комплекта для мульчирования. См. раздел *Замена ножа на стр. 558*.

---

## Эксплуатация

---

### Введение



**ПРЕДУПРЕЖДЕНИЕ:** Перед эксплуатацией прибора необходимо внимательно изучить раздел безопасности.

### Husqvarna Connect

Husqvarna Connect представляет собой бесплатное приложение для мобильного устройства. Приложение Husqvarna Connect позволяет пользоваться расширенными функциями вашего изделия Husqvarna:

- Дополнительная информация об изделии.
- Сведения о деталях и помощь в техническом обслуживании.

### Начало работы с Husqvarna Connect

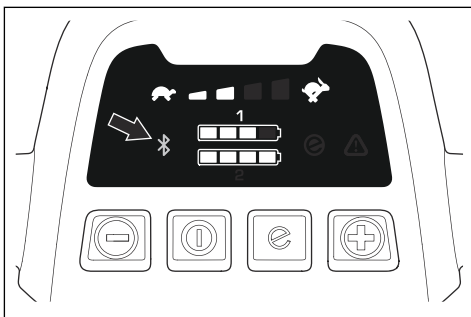
1. Загрузите приложение Husqvarna Connect на свое мобильное устройство.
2. Зарегистрируйтесь в приложении Husqvarna Connect.
3. Выполните пошаговые инструкции в приложении Husqvarna Connect для подключения и регистрации агрегата.

**Примечание:** Приложение Husqvarna Connect доступно для загрузки не на всех рынках. Для получения более подробной информации обратитесь в свой сервисный центр.

### Информация о Bluetooth® (LC 347iVX, LC 353iVX)

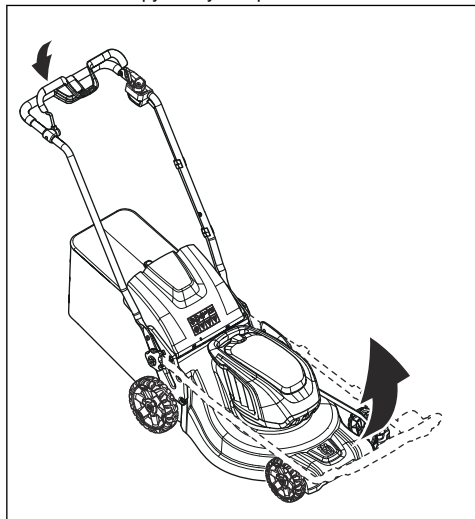
#### Беспроводная технология Bluetooth®

Значок беспроводной технологии *Bluetooth®* загорается при подключении мобильного устройства к изделию.

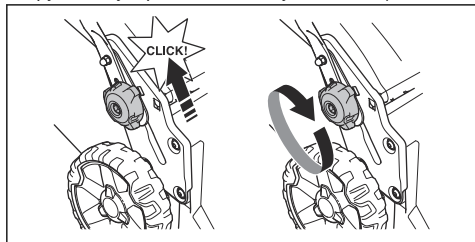


## Установка агрегата в рабочее положение

1. Установите рукоятку в вертикальное положение.



2. Переместите регуляторы вверх в направлении ручки до упора. Вы должны услышать щелчок.



3. Полностью затяните ручки.



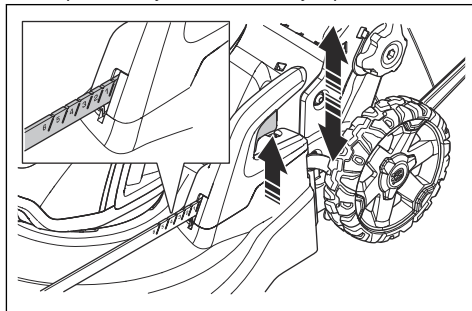
**ПРЕДУПРЕЖДЕНИЕ:** Не используйте агрегат, если рукоятка не сложена полностью и не установлена в одно из положений высоты. См. раздел *Регулировка рукоятки на стр. 549.*

## Регулировка высоты стрижки

Высоту стрижки возможно установить на 6 разных уровнях.

1. Переведите рычаг регулировки высоты стрижки вниз, чтобы уменьшить высоту стрижки.

2. Переведите рычаг регулировки высоты стрижки вверх, чтобы увеличить высоту стрижки.



**ВНИМАНИЕ:** Не устанавливайте высоту стрижки слишком низко. Ножи могут ударяться о землю, если поверхность газона неровная.

## Аккумулятор



**ПРЕДУПРЕЖДЕНИЕ:** Перед эксплуатацией аккумулятора ознакомьтесь с разделом, посвященным безопасности, и усвойте его содержание. Прочтите и усвойте также все сведения, приведенные в руководстве по эксплуатации аккумулятора и зарядного устройства.

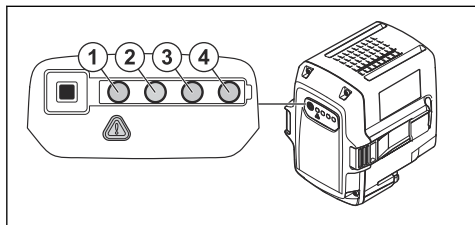
Храните аккумулятор и зарядное устройство при допустимой температуре окружающей среды.

	Температура окружающей среды
Эксплуатация аккумулятора	от 5 до 40 °С
Зарядка аккумулятора	от 5 до 40 °С

## Состояние аккумулятора

Дисплей отображает оставшуюся емкость аккумулятора и наличие в нем неисправностей. Емкость аккумулятора отображается на дисплее в течение 5 секунд после отключения агрегата или после нажатия кнопки-индикатора аккумулятора. Предупреждающий знак на аккумуляторе загорается

в случае возникновения ошибки. См. раздел *Аккумулятор на стр. 559.*



Светодиодные индикаторы	Состояние аккумулятора
Все светодиоды горят	Аккумулятор полностью заряжен (75-100 %).
Светодиоды 1, 2, 3 горят.	Заряд аккумулятора — 50-75 %.
Светодиоды 1, 2 горят.	Заряд аккумулятора — 25-50 %.
Светодиод 1 горит.	Заряд аккумулятора — 0-25 %.
Светодиод 1 мигает.	Аккумулятор разряжен. Зарядите аккумулятор.

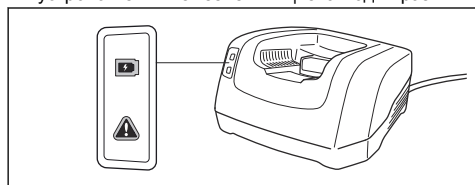
## Зарядка аккумулятора

Зарядите аккумулятор перед первым использованием. Поставляемый аккумулятор заряжен только на 30%.

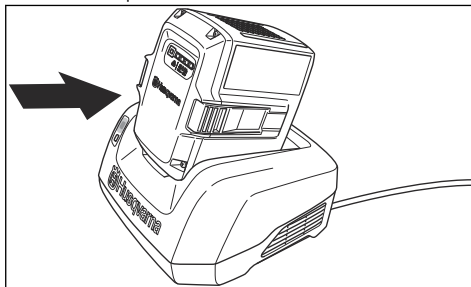
**Примечание:** Подсоединяйте зарядное устройство к сети питания с напряжением и частотой, указанными на паспортной табличке.

Зарядка не выполняется, если температура аккумулятора превышает 50°C. Прежде чем начать зарядку, зарядное устройство охлаждает аккумулятор до приемлемой температуры.

1. Вставьте один конец силового кабеля зарядного устройства в гнездо зарядного устройства.
2. Второй конец силового кабеля зарядного устройства вставьте в заземленную розетку сети электропитания. Светодиод на зарядном устройстве мигнет зеленым цветом один раз.



3. Вставьте аккумулятор в зарядное устройство. При правильном подключении аккумулятора к зарядному устройству загорается индикатор зеленого цвета.



4. Когда на аккумуляторе загорятся все светодиоды, это означает полную зарядку. Длительность зарядки аккумулятора не должна превышать 24 часа.
5. Чтобы отсоединить зарядное устройство от розетки, потяните не за кабель, а за штекер.
6. Извлеките аккумулятор из зарядного устройства.

## Состояние зарядки аккумулятора

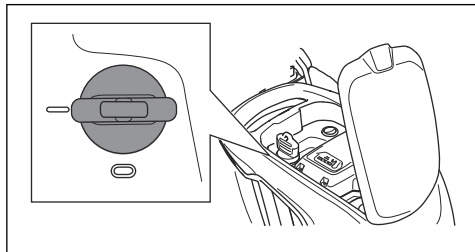
Литий-ионный аккумулятор Husqvarna можно заряжать и использовать при любом уровне зарядки. Это не приведет к повреждению аккумулятора. Полностью заряженный аккумулятор не разряжается, даже если оставить его в зарядном устройстве.

Светодиодный дисплей	Состояние процесса зарядки
Светодиод 1 мигает.	0%-25%
Светодиод 1 горит, светодиод 2 мигает.	25%-50%
Светодиоды 1, 2 горят, светодиод 3 мигает.	50%-75%
Светодиоды 1, 2, 3 горят, светодиод 4 мигает.	75%-100%
Горят светодиоды 1, 2, 3, 4	Полный уровень заряда

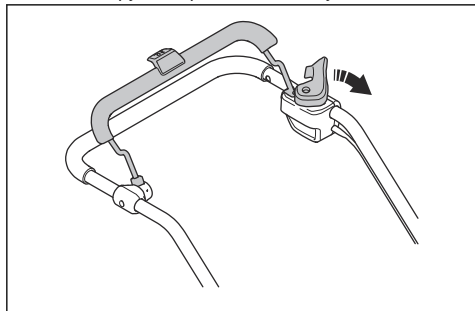
## Запуск агрегата (LC 247i)

1. Откройте крышку аккумулятора.
2. Вставьте заряженный аккумулятор в 1 из держателей аккумулятора. Чтобы продлить время работы, вставьте второй заряженный аккумулятор в другой держатель аккумулятора.

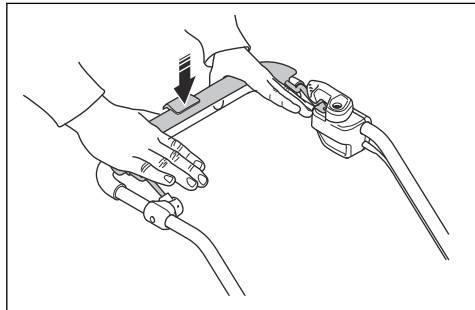
3. Переведите предохранительный ключ в положение "1".



4. Стойте сзади агрегата.
5. Разблокируйте ограничитель запуска.



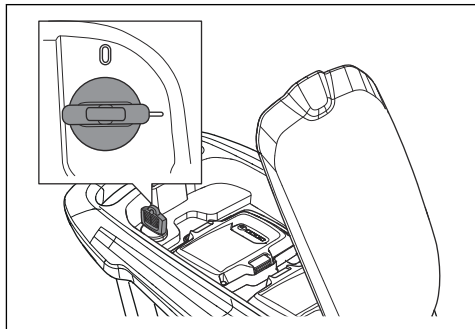
6. Прижмите рукоятку моторного тормоза в направлении рукоятки агрегата.



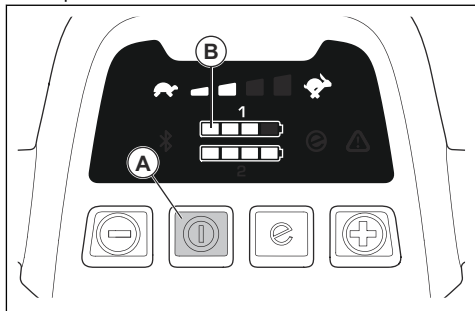
## Запуск агрегата (LC 347iVX, LC 353iVX)

1. Откройте крышку аккумулятора.
2. Вставьте заряженный аккумулятор в 1 из держателей аккумулятора. Чтобы продлить время работы, вставьте второй заряженный аккумулятор в другой держатель аккумулятора.

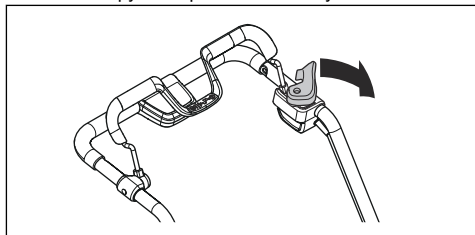
3. Переведите предохранительный ключ в положение "1".



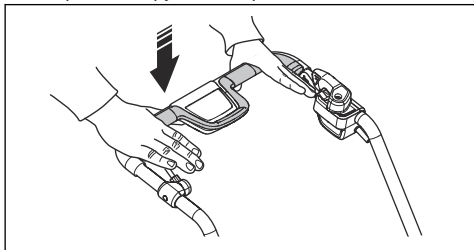
4. Стойте сзади агрегата.
5. Нажмите кнопку ВКЛ./ВЫКЛ. (A) на панели управления. Включится дисплей. Индикатор аккумулятора (B) показывает уровень заряда обоих аккумуляторов. Номер используемого аккумулятора отображается рядом с индикатором аккумулятора. На дисплее моделей LC 347iVX, LC 353iVX также отображается заданная скорость.



6. Разблокируйте ограничитель запуска.

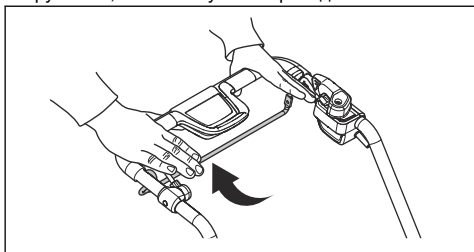


- 7. Прижмите рукоятку моторного тормоза в направлении рукоятки агрегата.

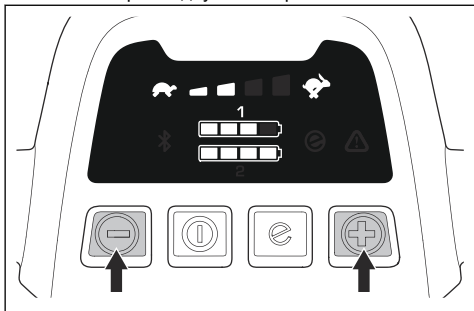


## Использование привода колес LC 347iVX, LC 353iVX

- Потяните петлю привода в направлении рукоятки, чтобы запустить привод.



- Нажмите на кнопки + и - на панели управления, чтобы выбрать одну из 4 скоростей.

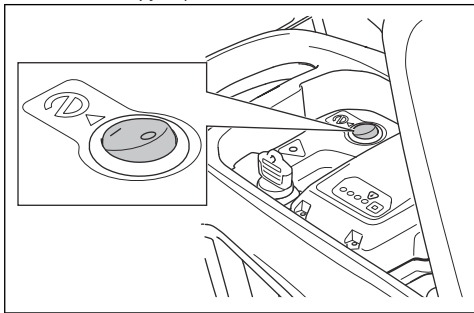


- Отпустите петлю привода, чтобы отключить привод, например, при приближении к препятствию.

## Использование функции Save™ (LC 247i)

На агрегате предусмотрена функция экономии заряда аккумулятора (Save™), которая продлевает время работы.

- Нажмите на часть кнопки Save™ с "1" для включения функции.



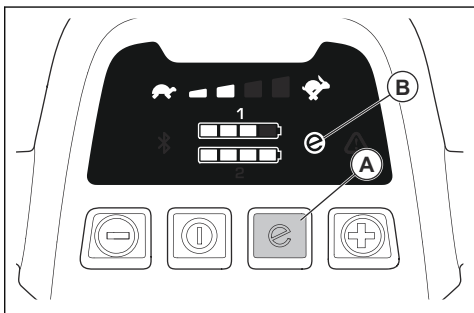
- Нажмите на часть кнопки Save™ с "0" для выключения функции.

**Примечание:** Функция Save™ автоматически отключается в тех случаях, когда состояние грунта требует более высокой мощности. Функция Save™ автоматически возобновляет работу, когда это позволяет состояние грунта.

## Использование функции Save™ (LC 347iVX, LC 353iVX)

На агрегате предусмотрена функция экономии заряда аккумулятора (Save™), которая продлевает время работы.

1. Чтобы включить функцию, нажмите кнопку Save™ (A). На дисплее загорится значок Save™ (B).
2. Чтобы отключить функцию, нажмите кнопку Save™ еще раз. Значок Save™ (B) на дисплее погаснет.



**Примечание:** Функция Save™ автоматически отключается в тех случаях, когда состояние грунта требует более высокой мощности. Функция Save™ автоматически возобновляет работу, когда это позволяет состояние грунта.

## Функция высокой нагрузки

При стрижке высокой или влажной травы двигатель автоматически увеличивает число оборотов. Когда надобность в высокой нагрузке отпадает, двигатель возвращается в стандартный режим работы.

## Автоматический перезапуск

Во время работы нож и двигатель могут временно остановиться из-за помех, например из-за скопления травы под кожухом режущего оборудования. Если это происходит и вы держите рукоятку моторного тормоза прижатой, агрегат попытается автоматически перезапуститься. Если агрегат не перезапускается в течение 5 секунд, может потребоваться очистка области под кожухом режущего оборудования. См. раздел *Очистка изделия* на стр. 557.



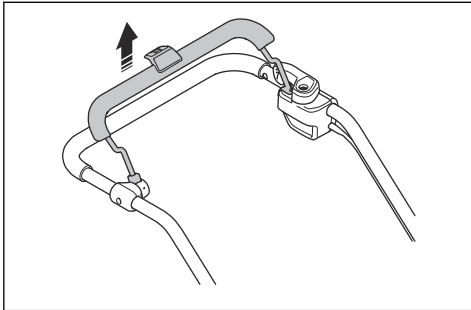
**ПРЕДУПРЕЖДЕНИЕ:** Перед проверкой кожуха режущего оборудования отпустите рукоятку моторного тормоза, поверните предохранительный ключ в положение "0", извлеките аккумулятор и подождите не менее 5 секунд. При случайном запуске агрегата во время удаления помехи существует риск получения травмы.

## Остановка агрегата (LC 247i)

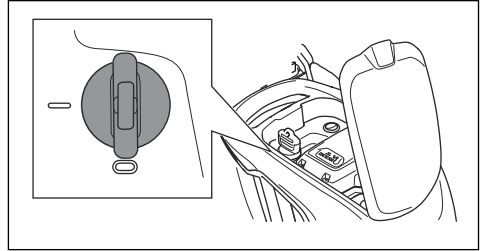


**ПРЕДУПРЕЖДЕНИЕ:** Прежде чем оставить агрегат без присмотра, переведите предохранительный ключ в положение "0".

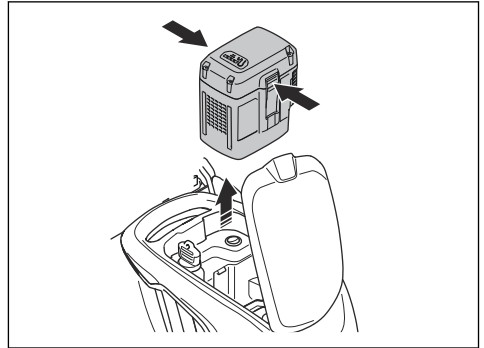
1. Отпустите рукоятку моторного тормоза, чтобы остановить двигатель.



2. Откройте крышку аккумулятора и поверните предохранительный ключ в положение "0".



3. Чтобы извлечь аккумулятор, нажмите на 2 кнопки фиксатора и извлеките аккумулятор.



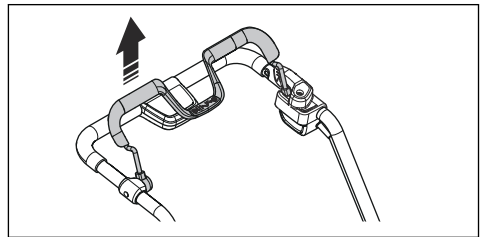
4. Зарядите аккумулятор с низким уровнем зарядки. Дополнительную информацию см. в разделе *Зарядка аккумулятора* на стр. 552.

## Остановка агрегата (LC 347iVX, LC 353iVX)

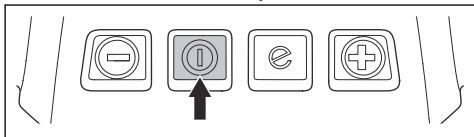


**ПРЕДУПРЕЖДЕНИЕ:** Прежде чем оставить агрегат без присмотра, переведите предохранительный ключ в положение "0".

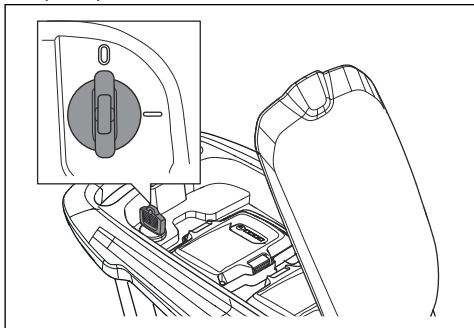
1. Отпустите рукоятку моторного тормоза, чтобы остановить двигатель.



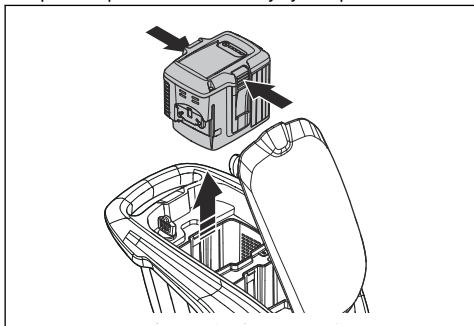
2. Нажмите кнопку ВКЛ./ВЫКЛ. на панели управления. Все светодиодные индикаторы и значки на дисплее погаснут.



3. Откройте крышку аккумулятора и поверните предохранительный ключ в положение "0".



4. Чтобы извлечь аккумулятор, нажмите на 2 кнопки фиксатора и извлеките аккумулятор.



5. Зарядите аккумулятор с низким уровнем зарядки. Дополнительную информацию см. в разделе *Зарядка аккумулятора на стр. 552.*

**Примечание:** Если агрегат не используется в течение нескольких минут, он автоматически выключается. Запустите агрегат снова; см. раздел *Запуск агрегата (LC 347iVX, LC 353iVX) на стр. 553.*

## Достижение оптимальных результатов

- Всегда пользуйтесь хорошо заточенным ножом. Затупившийся нож будет стричь траву неровно, и в месте среза трава будет желтеть. При использовании острого ножа также затрачивается меньше энергии, чем при работе с затупившимся ножом.
- Не срезайте более  $\frac{1}{3}$  всей длины травы. Выполните первую стрижку на большей высоте. Проверьте полученный результат и уменьшите высоту стрижки до необходимого уровня. Если трава высокая, передвигайте газонокосилку медленно и, при необходимости, используйте газонокосилку 2 раза.
- Если вы хотите избежать образования полос на вашем газоне, следует каждый раз стричь его в разных направлениях.
- Следите за чистой режущей деки. Скопление травы и грязи на внутренней стороне режущей деки может привести к ухудшению качества кошения. См. раздел *Очистка изделия на стр. 557.*

## Стрижка травы без установленного травосборника или пробки для мульчирования

- Поднимите заднюю крышку и снимите травосборник.
- Снимите установленные пробку и нож для мульчирования.
- Прежде чем включить агрегат, закройте заднюю крышку.

Во время работы агрегата срезанная трава выбрасывается под заднюю крышку.

## Техническое обслуживание

### Введение



**ПРЕДУПРЕЖДЕНИЕ:** Перед выполнением техобслуживания необходимо внимательно изучить и понять раздел безопасности.

Для выполнения любых работ по сервисному обслуживанию и ремонту агрегата необходимо пройти специальное обучение. Мы гарантируем доступность услуг по профессиональному ремонту

и сервисному обслуживанию. Если ваш дилер не занимается сервисным обслуживанием, обратитесь к нему для получения информации о ближайшем сервисном центре.

Дополнительную информацию см. в разделе [www.husqvarna.com](http://www.husqvarna.com).

### График технического обслуживания

График технического обслуживания рассчитан исходя из ежедневного использования изделия. Если



изделие не используется ежедневно, интервалы техобслуживания изменятся.

Информацию о техническом обслуживании, отмеченном знаком \*, см. в инструкциях в *Безопасность на стр. 542.*

	При каждом использовании	Ежемесячно	Каждый сезон
Выполните общий осмотр	X		
Очистите изделие	X		
Проверьте работу ограничителя запуска *	X		
Убедитесь, что защитные устройства агрегата исправны *	X		
Проверьте режущее оборудование	X		
Проверьте режущую деку *	X		
Проверьте рукоятку моторного тормоза *	X		
Проверьте работу и состояние кнопки вкл./выкл.	X		
Проверьте аккумулятор на наличие повреждений	X		
Проверьте зарядку аккумулятора	X		
Проверьте работу кнопок фиксатора и надежность установки аккумулятора в агрегате	X		
Проверьте состояние и правильность работы зарядного устройства.		X	
Проверьте соединения между аккумулятором и агрегатом. Проверьте также соединения между аккумулятором и зарядным устройством.			X

## Выполнение общего осмотра

- Проверьте затяжку гаек и винтов на изделии.
- Убедитесь, что расположение кабелей не допускает возможности их повреждения.

## Очистка изделия

- Очистите пластмассовые детали чистой и сухой тканью.
- Не используйте воду для очистки изделия от загрязнений. Попадание воды в аккумулятор или двигатель может вызвать короткое замыкание или повредить изделие.
- Не используйте моечный агрегат высокого давления для очистки изделия.
- Не направляйте струю воды непосредственно на двигатель.
- Используйте щетку для удаления листьев, травы и грязи.

## Очистка аккумулятора и зарядного устройства



**ПРЕДУПРЕЖДЕНИЕ:** Очистка аккумулятора или зарядного устройства водой запрещена.

- Прежде чем устанавливать аккумулятор в зарядное устройство, убедитесь, что аккумулятор и зарядное устройство чистые и сухие.
- Используйте для очистки клемм аккумулятора сжатый воздух или мягкую и сухую ткань.
- Очистите поверхности аккумулятора и зарядного устройства мягкой и сухой тканью.

## Проверка режущего оборудования



**ПРЕДУПРЕЖДЕНИЕ:** Во избежание случайного запуска переведите предохранительный ключ в положение "0", извлеките аккумулятор и подождите не менее 5 секунд.



### ПРЕДУПРЕЖДЕНИЕ:

Надевайте защитные перчатки при техобслуживании режущего оборудования. Нож очень острый, что при неосторожном обращении может легко привести к порезам.

1. Проверьте режущее оборудование на наличие повреждений или трещин. Всегда заменяйте поврежденное режущее оборудование.
2. Осмотрите нож на наличие повреждений или следов притупления.

**Примечание:** После заточки ножа необходимо выполнить его балансировку. Обратитесь в сервисный центр для выполнения заточки, замены и балансировки ножа. При столкновении с препятствием, которое привело в остановке изделия, замените поврежденный нож. Сервисный центр должен определить, следует ли заточить нож или лучше его заменить.

### Замена ножа

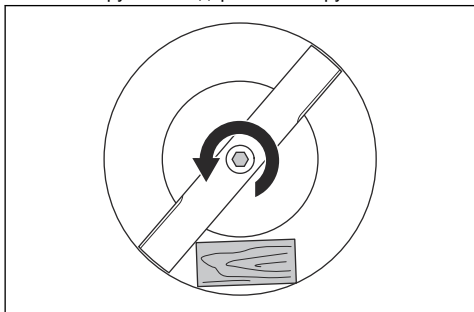
Информацию о подходящем типе ножа см. в разделе *Технические данные на стр. 562*.



### ПРЕДУПРЕЖДЕНИЕ:

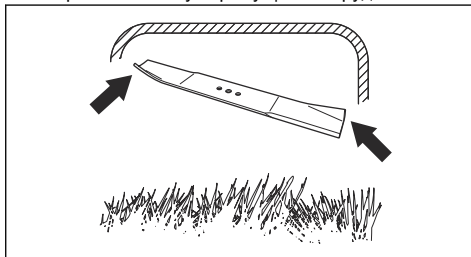
Заблокируйте нож деревянным бруском, чтобы избежать травм пальцев при замене ножа. Нож может сместиться при выключенном двигателе, в результате чего пальцы могут застрять между ним и неподвижными деталями.

1. Заблокируйте нож деревянным бруском.

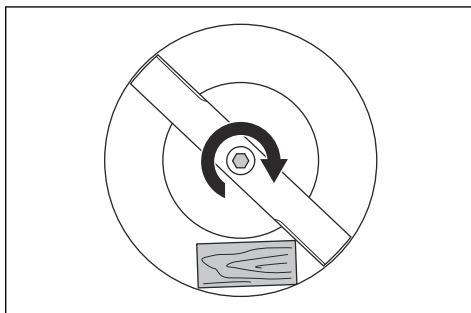


2. Снимите болт ножа.

3. Снимите диск.
4. Проверьте опору и болт ножа на наличие повреждений.
5. Осмотрите вал двигателя на наличие деформаций.
6. При установке нового ножа находящиеся под углом края должны быть обращены в направлении кожуха режущего оборудования.



7. Убедитесь, что нож выставлен по центру вала двигателя.
8. Заблокируйте нож деревянным бруском. Установите пружинную шайбу и затяните болт с шайбой моментом 23-28 Нм.



9. Проверните нож рукой и убедитесь, что он свободно вращается.



### ПРЕДУПРЕЖДЕНИЕ:

Используйте прочные перчатки. Нож очень острый, что при неосторожном обращении может легко привести к порезам.

10. Запустите агрегат, чтобы проверить работу ножа. Если нож установлен неправильно, вы ощутите вибрацию агрегата или результат стрижки будет неудовлетворительным.

## Поиск и устранение неисправностей

### Аккумулятор

Светодиодный индикатор аккумулятора	Причина	Решение
Мигает зеленый светодиодный индикатор.	Низкое напряжение аккумулятора.	Зарядите аккумулятор. См. раздел <i>Зарядка аккумулятора на стр. 552</i> .
Мигает светодиодный индикатор ошибки.	Слишком низкий заряд аккумулятора.	Зарядите аккумулятор. См. раздел <i>Зарядка аккумулятора на стр. 552</i> .
	Слишком высокая или слишком низкая температура окружающей среды.	Используйте аккумулятор при температуре в диапазоне от 5 до 40 °C.
	Перегрузка по напряжению.	Убедитесь, что напряжение в сети соответствует значению, указанному на паспортной табличке агрегата.  Извлеките аккумулятор из зарядного устройства. Подождите 5 секунд и снова попытайтесь зарядить аккумулятор. Если неисправность не устранена, обратитесь в авторизованный сервисный центр.
Горит светодиодный индикатор ошибки.	Слишком большая разница в напряжении элементов (1 В).	Обратитесь в авторизованный сервисный центр.

### Зарядное устройство

Светодиод на зарядном устройстве аккумулятора	Причина	Решение
Мигает светодиодный индикатор ошибки.	Слишком высокая или слишком низкая температура окружающей среды.	Используйте зарядное устройство при температуре в диапазоне от 5 до 40 °C.
Горит светодиодный индикатор ошибки.		Обратитесь в авторизованный сервисный центр.

### Газонокосилка

Предупреждающий индикатор (светодиодный индикатор ошибки) расположен под крышкой

аккумулятора ((LC 247i) или на панели управления ((LC 347iVX, LC 353iVX)).

Проблема	Светодиодный индикатор ошибки (количество миганий)	Причина	Решение
Мигает светодиод, указывающий на возникновение ошибки. Агрегат не работает надлежащим образом.	3	Нож заблокирован.	Переведите предохранительный ключ в положение "0" во избежание случайного запуска. Извлеките аккумулятор и подождите не менее 5 секунд. Устраните возможные препятствия и убедитесь, что нож может свободно вращаться. Если неисправность не устранена, обратитесь в авторизованный сервисный центр.
	5	Слишком низкая частота вращения двигателя привела к остановке двигателя.	Увеличьте высоту кошения. См. раздел <i>Регулировка высоты стрижки на стр. 551</i> .
	6 <sup>85</sup>	Колеса или трансмиссия заблокированы.	Переведите предохранительный ключ в положение "0" во избежание случайного запуска. Извлеките аккумулятор и подождите не менее 5 секунд. Устраните возможные препятствия и убедитесь, что колеса могут свободно вращаться. Если неисправность не устранена, обратитесь в авторизованный сервисный центр.
	10	Слишком высокая температура системы управления двигателем.	Остановите двигатель и подождите, пока он остынет.
Мигает светодиод, указывающий на возникновение ошибки. Агрегат останавливается.	0	Неисправность разъема аккумулятора.	Осмотрите разъем аккумулятора.
	3	Перегрузка электродвигателя.	Увеличьте высоту кошения. См. раздел <i>Регулировка высоты стрижки на стр. 551</i> .
	8	Слишком низкий заряд аккумулятора.	Зарядите аккумулятор. См. раздел <i>Зарядка аккумулятора на стр. 552</i> .
	9	Ошибка аккумулятора или отсутствие сигнала от аккумулятора.	Установите аккумулятор в агрегат надлежащим образом и проверьте разъем аккумулятора. Если на аккумуляторе мигает светодиодный индикатор ошибки. См. раздел <i>Аккумулятор на стр. 559</i> .
	12	Неверная процедура запуска. Рукоятка моторного тормоза задействована до запуска электродвигателя.	Отпустите рукоятку моторного тормоза и подождите приблизительно 5 секунд. Еще раз нажмите на рукоятку моторного тормоза, чтобы запустить агрегат.
Прочие ошибки.	При возникновении других ошибок поверните предохранительный ключ в положение "0", извлеките аккумулятор и обратитесь в авторизованный сервисный центр.		

<sup>85</sup> LC 347iVX, LC353iVX

# Транспортировка, хранение и утилизация

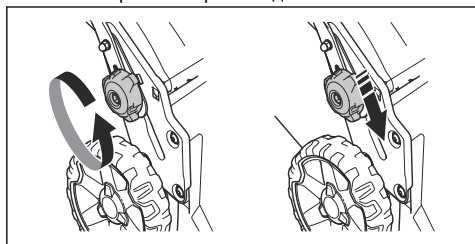
## Введение



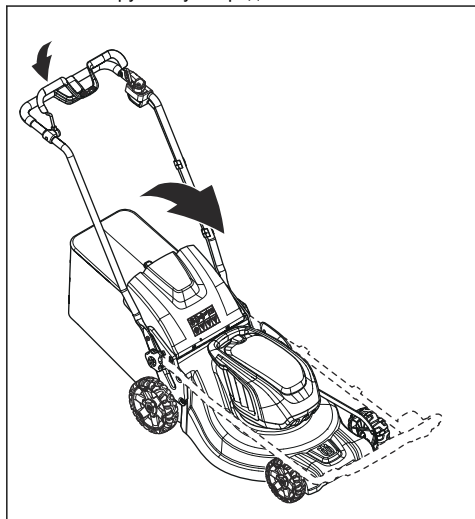
**ПРЕДУПРЕЖДЕНИЕ:** Во избежание случайного запуска во время транспортировки переведите предохранительный ключ в положение "0", извлеките аккумулятор и подождите не менее 5 секунд.

## Установка изделия в положение для транспортировки

1. Ослабьте нижние ручки.
2. Переместите ручки в нижние положения в пазах с левой и правой стороны изделия.



3. Сложите рукоятку вперед.



4. Снимите травосборник.

## Транспортировка

- На литий-ионные аккумуляторы в комплекте изделия распространяются требования, предъявляемые к опасным товарам.

- Соблюдайте специальные требования к перевозке коммерческим транспортом, указанные на упаковке и ярлыках.
- При подготовке изделия к транспортировке тщательно выполняйте все требования, предъявляемые к опасным веществам. Могут также применяться требования местного законодательства.
- Перед транспортировкой всегда извлекайте аккумулятор.
- Заклейте разъемы аккумулятора лентой и закрепите аккумулятор таким образом, чтобы во время транспортировки он не мог сместиться.
- Надежно закрепите изделие на время транспортировки.

## Хранение

- Перед помещением агрегата на хранение дайте ему остыть.
- Перед транспортировкой всегда извлекайте аккумулятор.
- Во избежание несчастных случаев при помещении агрегата на хранение убедитесь, что к нему не подключен аккумулятор.
- Храните зарядное устройство в закрытом и сухом помещении.
- Храните аккумулятор и зарядное устройство в сухом отапливаемом помещении.
- Храните аккумулятор отдельно от зарядного устройства.
- Не допускается хранение аккумулятора в местах, где возможно возникновение статического электричества. Нельзя хранить аккумулятор в металлической коробке.
- Храните агрегат при температуре окружающей среды в диапазоне от -10 до 40 °С.
- Храните аккумулятор при температуре окружающей среды в диапазоне от 5 до 25 °С и не подвергайте воздействию прямых солнечных лучей.
- Храните зарядное устройство при температуре окружающей среды в диапазоне от 5 до 45 °С и не подвергайте воздействию прямых солнечных лучей.
- Перед помещением аккумулятора на длительное хранение убедитесь, что он заряжен до 30-50%.
- Храните агрегат, аккумулятор и зарядное устройство в запечатом помещении, вне доступа детей и лиц, не имеющих соответствующего разрешения.
- Очистите агрегат и опустошите травосборник.
- Выполняйте техобслуживание в соответствии с инструкциями, приведенными в данном руководстве по эксплуатации. См. раздел *Техническое обслуживание на стр. 556.*

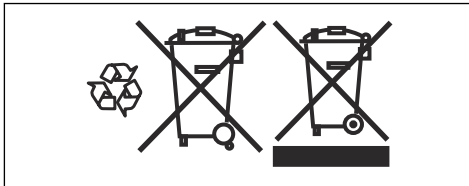
- Перед помещением агрегата на длительное хранение проведите полное обслуживание.

## Утилизация

Обозначения на изделии или его упаковке указывают, что данное изделие не может быть утилизировано в качестве бытовых отходов. Оно должно быть передано в соответствующий пункт для переработки электрического и электронного оборудования.

Обеспечив надлежащую утилизацию данного изделия, вы сможете предотвратить потенциальное отрицательное влияние на окружающую среду и здоровье людей, которое иначе могло быть

последствием неправильной утилизации. Более подробную информацию о переработке данного изделия получите в Городском управлении, у службы, занимающейся переработкой бытовых отходов либо в магазине, где вы приобрели изделие.



## Технические данные

### Технические данные

	LC 247i	LC 347iVX	LC 353iVX
<b>Мотор привода ножей</b>			
Тип двигателя	Двигатель постоянного тока BLDC (бесщеточный), 36 В	Двигатель постоянного тока BLDC (бесщеточный), 36 В	Двигатель постоянного тока BLDC (бесщеточный), 36 В
Частота вращения двигателя - SavE, об/мин	2600 об/мин	2600 об/мин	2600 об/мин
Частота вращения двигателя - номинальная, об/мин	3000 об/мин	3000 об/мин	3000 об/мин
Частота вращения двигателя - высокая нагрузка, об/мин	3500 об/мин	3500 об/мин	3500 об/мин
Мощность двигателя – макс., кВт	0,96	0,96	1,05
Мощность двигателя – номинальная, кВт	0,75	0,75	0,9
<b>Приводной двигатель</b>			
Мощность двигателя – номинальная, кВт	Неприменимо	0,25	0,25
Скорость самостоятельного хода, км/ч	Неприменимо	3,0–4,5	3,0–4,5
Уровни регулировки скорости	Неприменимо	4	4
<b>Вес</b>			
Вес без травосборника (без аккумулятора), кг	24,5	26	28
Вес с травосборником (вкл. 2 x BLi30), кг	30,5	32,0	34,5
<b>Аккумулятор</b>			
Тип аккумулятора	Аккумуляторная серия Husqvarna		
<b>Рабочий цикл аккумулятора</b>			

	LC 247i	LC 347iVX	LC 353iVX
Время непрерывной работы от аккумулятора, минуты, (на холостом ходу) с включенной функцией SavE, с одним аккумулятором Husqvarna 7,7 А·ч (BLi30).	62	62	46
Время непрерывной работы от аккумулятора, минуты, (на холостом ходу) в стандартном режиме, с одним аккумулятором Husqvarna 7,7 А·ч (BLi30).	43	43	28
<b>Излучение шума</b> <sup>86</sup>			
Уровень мощности звука, измеренный, дБ(А)	94	94	97
Уровень мощности звука, гарантированный L <sub>WA</sub> , дБ(А)	95	95	98
<b>Уровни шума</b> <sup>87</sup>			
Уровень шумового давления на уши оператора, дБ (А)	82	82	86
<b>Уровни вибрации</b> <sup>88</sup>			
На ручке, м/с <sup>2</sup>	0,42	0,42	2,64
<b>Режущее оборудование</b>			
Высота кошения, мм	20-75 мм	20-75 мм	20-75 мм
Ширина резки, см	47	47	53
Нож стандартный	Collect 5905934-10	Collect 5905934-10	Collect 5940757-10
Нож, принадлежности	Mulch 5907010-10	Mulch 5907010-10	Mulch 5950072-10
Емкость травосборника, л	55	55	60

<b>Данные о радиочастотах для Bluetooth®</b>	LC 247i	LC 347iVX	LC 353iVX
Диапазон частот, ГГц	Неприменимо	2,4-2,4835	2,4-2,4835
Выходная мощность, макс., дБм	Неприменимо	4	4

<sup>86</sup> Излучение шума в окружающую среду измеряется как мощность звука (L<sub>WA</sub>) согласно директиве ЕС 2000/14/ЕС.

<sup>87</sup> Указанные данные об уровне шумового давления имеют погрешность (К) 1,5 дБ(А).

<sup>88</sup> Указанные данные об уровне вибрации имеют погрешность (К) 1,5 м/с<sup>2</sup>. Заявленное суммарное значение вибрации измерено в соответствии со стандартом EN 62841-4-3, приложение I, и может быть использовано для сравнения одного агрегата с другим, а также для предварительной оценки воздействия.

Рекомендованные аккумуляторы	Тип	Емкость аккумулятора, А·ч	Напряжение, В	Масса, фунт / кг
BLi20	Литий-ионный	4,0	36	2,6/1,2
BLi30	Литий-ионный	7,7	36	4,2/1,9

Рекомендованные зарядные устройства для указанных аккумуляторов, BLi	Входное напряжение, В	Частота, Гц	Мощность, Вт
QC80	100-240	50-60	80
40-C80	100-240	50-60	68,8
QC250	100-240	50-60	250



# Декларация о соответствии

## Декларация соответствия требованиям ЕС

Мы, компания **Husqvarna AB**, SE-561 82  
Husqvarna, Швеция, тел.: +46-36-146500, с полной  
ответственностью заявляем, что агрегат:

<b>Описание</b>	Газонокосилка
<b>Марка</b>	Husqvarna
<b>Тип / Модель</b>	LC 247i
<b>Идентификация</b>	Серийные номера начиная с 2021 года и далее

полностью соответствует следующим директивам и  
нормам ЕС:

<b>Директива/Норма- тив</b>	<b>Описание</b>
2006/42/ЕС	"О механическом оборудовании"
2014/30/EU	"об электромагнитной совместимости"
2000/14/ЕС	"Об излучении шума в окружающую среду"
2011/65/EU	"Об ограничении использования определенных опасных веществ в электрическом и электронном оборудовании"

а также требованиям следующих стандартов и/или  
технических регламентов: EN 62841-1:2015+AC:2015,  
EN 62841-4-3:2021+A11:2021, EN ISO 12100:2010,  
EN 55014-1:2017+A11:2020, EN 55014-2:2015, EN IEC  
63000:2018.

Уполномоченная организация: 0404, RISE SMP  
Svensk Maskinprovning AB, Box 7035, SE-750  
07 Uppsala подтвердила соответствие Директиве  
Совета ЕС 2000/14/ЕС, процедура оценки  
соответствия: Приложение VI.

Информацию по излучению шума см. в разделе  
*Технические данные на стр. 562.*

Husqvarna, 2021-12-01



Клаес Лосдал (Claes Losdal), директор отдела  
разработок/садовая техника, Husqvarna AB

Ответственный за техническую документацию



## Декларация соответствия требованиям ЕС

Мы, компания **Husqvarna AB**, SE-561 82  
Husqvarna, Швеция, тел.: +46-36-146500, с полной  
ответственностью заявляем, что агрегат:

<b>Описание</b>	Газонокосилка
<b>Марка</b>	Husqvarna
<b>Тип / Модель</b>	LC 347iVX, LC 353iVX
<b>Идентификация</b>	Серийные номера начиная с 2021-12-01 года и далее

полностью соответствует следующим директивам и  
нормам ЕС:

<b>Директива/Норма- тив</b>	<b>Описание</b>
2006/42/EC	"О механическом оборудовании"
2014/53/EU	"О радиооборудовании"
2000/14/EC	"Об излучении шума в окружающую среду"
2011/65/EU	"Об ограничении использования определенных опасных веществ в электрическом и электронном оборудовании"

а также требованиям следующих стандартов и/или  
технических регламентов: EN 62841-1:2015+AC:2015,  
EN 62841-4-3:2021+A11:2021, EN ISO 12100:2010,  
EN 55014-1:2017+A11:2020, EN 55014-2:2015, EN IEC  
63000:2018, EN ETSI 300 328 v.2.2.2, EN 50663: 2017,  
ETSI EN 301 489-1 V2.2.3, ETSI EN 301 489-17 V3.2.4.

Уполномоченная организация: 0404, RISE SMP  
Svensk Maskinprovning AB, Box 7035, SE-750  
07 Uppsala подтвердила соответствие Директиве  
Совета ЕС 2000/14/EC, процедура оценки  
соответствия: Приложение VI.

Информацию по излучению шума см. в разделе  
*Технические данные на стр. 562.*

Husqvarna, 2021-12-01

Клаес Лосдал (Claes Losdal), директор отдела  
разработок/садовая техника, Husqvarna AB

Ответственный за техническую документацию



---

### Зарегистрированные товарные знаки

---

Словесный знак *Bluetooth®* и логотипы  
являются зарегистрированными товарными знаками,  
принадлежащими компании *Bluetooth SIG,  
inc.* Любое использование этих знаков  
компанией Husqvarna регулируется лицензионным  
соглашением.

---

## Obsah

---

Úvod.....	567	Riešenie problémov.....	584
Bezpečnosť.....	569	Preprava, skladovanie a likvidácia.....	586
Montáž.....	575	Technické údaje.....	587
Prevádzka.....	576	Vyhlásenie o zhode.....	590
Údržba.....	582	Registrované ochranné známky.....	591

---

## Úvod

---

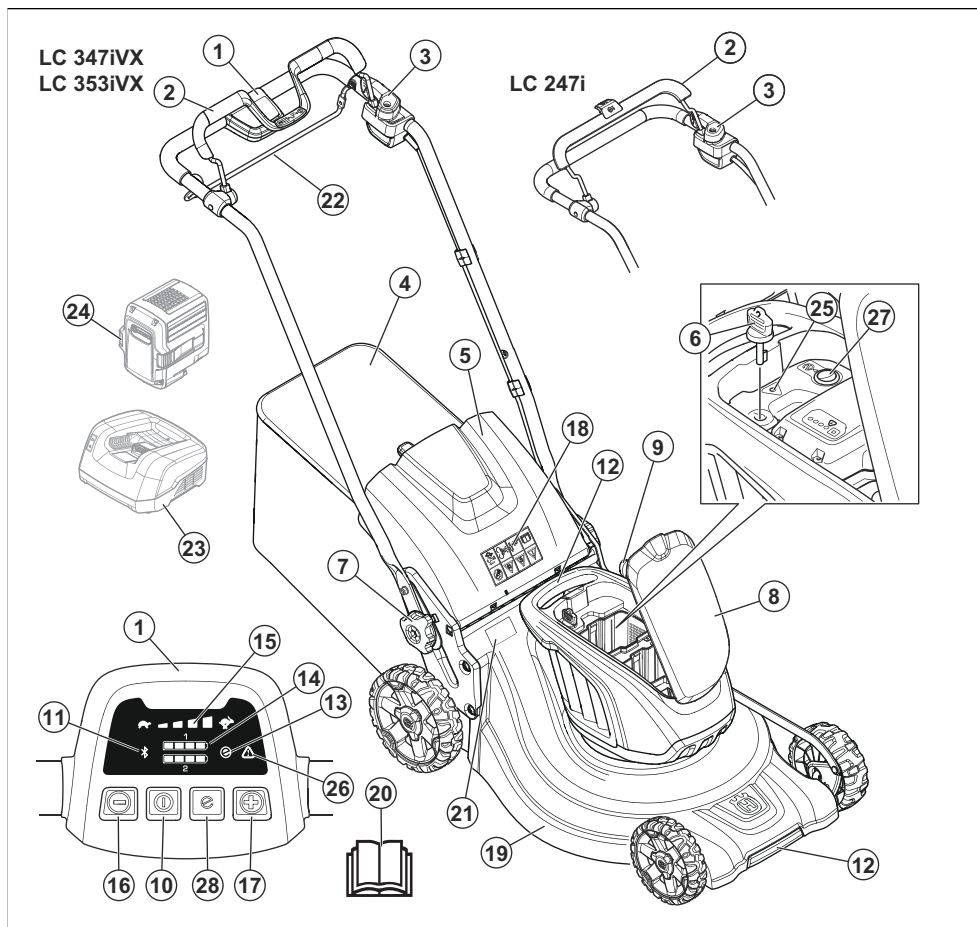
### Popis výrobku

Tento výrobok je rotačná kosačka na trávu s chodiacou obsluhou. Tráva sa zhromažďuje do zberného koša. Na vyprázdnenie trávy zo zadnej časti odstráňte zberný kôš. Ak chcete trávu nasekať a použiť ako hnojivo, použite mulčovaciu súpravu (príslušenstvo).

### Plánované použitie

Produkt používajte na kosenie trávy. Výrobok nepoužívajte na iné účely.

## Prehľad výrobku



1. Ovládací panel (LC 347iVX, LC 353iVX)
2. Rukoväť motorovej brzdy
3. Poistka naštartovania
4. Zberný kôš
5. Zadný kryt
6. Bezpečnostný kľúč
7. Gombík na rukoväti
8. Kryt batérie
9. Ovládač výšky rezu
10. vypínač
11. Indikátor bezdrôtovej technológie *Bluetooth*<sup>®</sup>
12. Zdvíhacie rukoväte
13. Indikátor SavE
14. Indikátor batérie
15. Indikátor úrovne rýchlosti (LC 347iVX, LC 353iVX)
16. Tlačidlo zníženia rýchlosti (LC 347iVX, LC 353iVX)
17. Tlačidlo zvýšenia rýchlosti (LC 347iVX, LC 353iVX)
18. Symboly
19. Kryt rezacej časti
20. Návod na obsluhu
21. Výkonový štítok
22. Páka pohonu (LC 347iVX, LC 353iVX)
23. Nabíjačka batérií (príslušenstvo)
24. Akumulátor (príslušenstvo)
25. Chybový indikátor LED (LC 247i)
26. Chybový indikátor LED (LC 347iVX, LC 353iVX)
27. Tlačidlo Save (LC 247i)
28. Tlačidlo Save (LC 347iVX, LC 353iVX)

## Symbyly na výrobku



UPOZORNENIE



Prečítajte si pokyny.



UPOZORNENIE – Dávajte pozor na vyršťované predmety.



Vykážte ostatné osoby z pracovného priestoru.



UPOZORNENIE – Ruky a nohy držte v bezpečnej vzdialenosti od nôžov.



UPOZORNENIE – Pred vykonávaním údržby odpojte batériu.



Výrobok alebo jeho obal nepredstavuje komunálny odpad. Recyklujte ho v recyklačnej stanici určenej pre elektrické a elektronické zariadenia.



Tento produkt je v súlade s príslušnými smernicami EÚ.



Značka emisií hluku do prostredia podľa smerníc a nariadení EÚ a Spojeného kráľovstva. Zaručená hladina akustického výkonu výrobku je uvedená v *Technické údaje na strane 587* a na štítku.

**IPX1**

Tento výrobok je chránený proti kvapkajúcej vode.



Zastavte uvoľnením rukoväti motorovej brzdy.



Snímateľný kód

**Poznámka:** Ostatné symbyly/emblémy na výrobku odkazujú na zvláštne požiadavky certifikácie pre určité trhy.

## Štítok na výrobku



NEBEZPEČENSTVO – Udrživajte ruky a chodidlá v dostatočnej vzdialenosti.

## Zodpovednosť za výrobok

V súlade s právnymi predpismi upravujúcimi zodpovednosť za výrobok nenesieme zodpovednosť za škody spôsobené naším výrobkom v dôsledku:

- nesprávne vykonanej opravy výrobku,
- opravy výrobku, pri ktorej neboli použité diely od výrobcu alebo diely schválené výrobcom,
- používania príslušenstva od iného výrobcu alebo príslušenstva, ktoré nie je schválené výrobcom,
- opravy výrobku, ktoré neboli vykonané v schválenom servisnom stredisku alebo schválenými kompetentnými osobami.

## Bezpečnosť

### Bezpečnostné definície

Výstrahy, upozornenia a poznámky slúžia na zdôraznenie mimoriadne dôležitých častí návodu.



**VÝSTRAHA:** Používa sa, ak pre obsluhu alebo osoby v okolí existuje nebezpečenstvo poranenia alebo smrti v prípade nedodržania pokynov v návode.



**VAROVANIE:** Používa sa, ak hrozí nebezpečenstvo poškodenia produktu, iných materiálov alebo okolitej oblasti v prípade nedodržania pokynov v návode.

**Poznámka:** Používa sa na poskytnutie informácií nad rámec nevyhnutných informácií v danej situácii.

## Všeobecné bezpečnostné upozornenia pre výrobok



**VÝSTRAHA:** Prečítajte si všetky bezpečnostné upozornenia a pokyny a pozrite si ilustrácie a uvedené technické údaje tohto výrobku. Nedodržanie všetkých nižšie uvedených pokynov môže spôsobiť zásah elektrickým prúdom, požiar alebo ťažké zranenia.

**Uchovajte si všetky upozornenia a pokyny pre budúce použitie.** Výraz „výrobok“ v upozorneniach označuje výrobky napájané z elektrickej siete (s káblom) alebo batérie (bez kábla).

### Bezpečnosť na pracovisku

- **Udržiavajte pracovisko v čistote a dobre osvetlené.** Neporiadok alebo nedostatočné osvetlenie spôsobujú nehody.
- **Nepoužívajte výrobok vo výbušnom ovzduší, napríklad v prítomnosti horľavých kvapalín, plvov alebo prachu.** Elektrické nástroje vytvárajú iskry, ktoré môžu vznietiť prach alebo výpary.
- **Pri používaní elektrického nástroja zabráňte deťom a okolostojacim, aby sa zdržiavali vo vašej blízkosti.** Rušivé podnety môžu spôsobiť stratu kontroly.

### Elektrická bezpečnosť

- **Zástrčky výrobku musia zodpovedať zásuvke elektrickej siete. Nikdy a žiadnym spôsobom nemodifikujte elektrickú zástrčku. S uzemnenými výrobkami nepoužívajte žiadne adaptérové zástrčky.** Ak sa zástrčky neupravujú a používajú sa zodpovedajúce zásuvky, zníži sa riziko úrazu elektrickým prúdom.
- **Zabráňte kontaktu tela s uzemnenými povrchmi, ako sú rúry, radiátory, sporáky a chladničky.** Riziko úrazu elektrickým prúdom je vyššie, ak je vaše telo uzemnené.
- **Výrobok nevystavujte pôsobeniu dažďa ani vlhkosti.** Ak sa do výrobku dostane voda, zvyšuje sa nebezpečenstvo úrazu elektrickým prúdom.
- **Nepoužívajte kábel nesprávnym spôsobom. Kábel nikdy nepoužívajte na prenášanie, ťahanie ani odpájanie výrobku. Chráňte šnúru pred horúčavou, olejom, ostrými hranami alebo pohybujúcimi sa dielcami.** Poškodené alebo zamotané káble zvyšujú riziko úrazu elektrickým prúdom.

- **Pri používaní výrobku v exteriéri používajte predlžovací kábel vhodný na vonkajšie použitie.** Používanie kábla určeného do vonkajšieho prostredia znižuje riziko zásahu elektrickým prúdom.
- **Ak je nevyhnutné použiť výrobok vo vlhkom prostredí, na napájanie použite vedenie vybavené prúdovým chráničom (RCD).** Použitie napájania z vedenia vybaveného prúdovým chráničom (RCD) výrazne znižuje riziko zasiahnutia elektrickým prúdom.

### Osobná bezpečnosť

- **Pracujte opatrne, dávajte pozor a pri používaní výrobku postupujte rozumne. Výrobok nepoužívajte, keď ste unavení alebo pod vplyvom drog, alkoholu alebo liekov.** Chvilka nepozornosti pri používaní výrobkov môže zapríčiniť vážny úraz.
- **Používajte osobné ochranné pomôcky. Vždy noste ochranné prostriedky očí.** Ochranné vybavenie, ako sú napríklad masky proti prachu, bezpečnostné topánky s protišmykovou podrážkou, prilby alebo chrániče sluchu použité vo vhodných prípadoch znižujú počet osobných poranení.
- **Zabráňte neúmyselnému spusteniu zariadenia. Pred pripojením k elektrickej sieti alebo batérii overte zdvihnutím alebo prenesením výrobku, či je vypínač vo vypnutej polohe.** Prenášanie výrobkov s prstom na vypínači alebo napájanie výrobkov, ktoré majú vypínač zapnutý, zvyšuje riziko nehôd.
- **Pred zapnutím výrobku vyberte nastavovací kľúč alebo kľúč na matice.** Kľúč nasadený na rotačnú časť výrobku môže spôsobiť poranenie osôb.
- **Nenaťahujte sa príliš ďaleko. Vždy si udržiavajte rovnováhu a správny postoj.** To umožňuje lepšie ovládanie výrobku v neočakávaných situáciách.
- **Vhodne sa oblečte. Nenoste voľné oblečenie alebo šperky. Udržujte svoje vlasy a oblečenie mimo dosahu pohyblivých častí.** Voľné oblečenie, šperky alebo dlhé vlasy sa môžu zachytiť v pohyblivých častiach.
- **Ak je možné pripojiť zariadenia na odsávanie a zber prachu, overte, či sú tieto zariadenia pripojené a či sa správne používajú.** Používanie zberača prachu môže obmedziť nebezpečenstvá týkajúce sa prachu.
- **Nedovoľte, aby vás skúsenosti získané častým používaním produktov uspokojili, a ignorovali by ste bezpečnostné pravidlá pri používaní produktov.** Neopatrné konanie môže v zlomku sekundy spôsobiť vážne poranenie.

### Používanie výrobku a starostlivosť o neho

- **Netlačte na výrobok silou. Používajte správny výrobok na dané použitie.** Správny výrobok vykoná prácu lepšie a bezpečnejšie pri rýchlosti, na akú je určený.
- **Nepoužívajte výrobok, ak sa nedá zapnúť a vypnúť.** Akýkoľvek výrobok, ktorý sa nedá ovládať vypínačom, je nebezpečný a musí sa opraviť.

- **Pred akoukoľvek úpravou, výmenou príslušenstva alebo skladovaním výrobkov odpojte zástrčku zo zdroja napájania a/alebo vyberte akumulátory (ak je to možné).** Takéto preventívne bezpečnostné opatrenia znižujú riziko náhodného spustenia výrobku.
- **Nepoužívané výrobky udržiavajte mimo dosahu detí a nedovoľte osobám, ktoré nepoznajú tento výrobok alebo tieto pokyny, aby výrobok používali.** Výrobky sú nebezpečné v rukách neskúsených používateľov.
- **Vykonávajte údržbu výrobkov a príslušenstva. Skontrolujte vychýlenie alebo ohnutie pohyblivých častí, nalomenie častí a akékoľvek iné poškodenie, ktoré môže ovplyvniť prevádzku výrobku. Ak je výrobok poškodený, dajte ho pred použitím opraviť.** Mnoho nehôd je spôsobených nedostatočne udržiavanými výrobkami.
- **Rezacie nástroje udržiavajte nabrúsené a v čistote.** Správne udržiavané rezacie nástroje s ostrými hranami sú menej náchylné na ohnutie a ľahšie sa ovládajú.
- **Používajte výrobok, príslušenstvo, hroty nástroja atď. v súlade s týmito pokynmi, pričom vezmite do úvahy pracovné podmienky a typ vykonávanej práce.** Použitie výrobku na iné ako určené účely môže vyvolať nebezpečnú situáciu.
- **Rukoväti a úchytné povrchy udržiavajte suché, čisté a neznečistené olejom a mazivom.** Šmyklivé rukoväti a úchytné povrchy neumožňujú bezpečnú manipuláciu a ovládanie výrobku v neočakávaných situáciách.

## Služba

- **Výrobok zverte do opravy iba kvalifikovanému odborníkovi a používajte iba originálne náhradné diely.** Tým sa zaistí zachovanie bezpečnosti výrobku.
- **Poškodené akumulátory nikdy neservisujte sami.** Servis akumulátorov smie vykonávať len výrobca alebo autorizovaný servis.

## Používanie nástroja napájaného akumulátorom a starostlivosť oň

- **Nabíjajte iba pomocou nabíjačky špecifikovanej výrobcom.** Nabíjačka, ktorá je vhodná pre jeden typ akumulátora, môže pri použití s iným akumulátorom predstavovať nebezpečenstvo požiaru.
  - **Výrobok používajte iba s presne určenými akumulátormi.** Pri použití akéhokoľvek iného akumulátora môže hroziť nebezpečenstvo poranenia a požiaru.
  - **Keď sa akumulátor nepoužíva, udržiajte ho mimo dosahu kovových predmetov, ako sú spony na papier, mince, kľúče, klince, skrutky alebo iné drobné kovové predmety, ktoré môžu vytvoriť spoj medzi svorkami.** Skratovanie svoriek akumulátora môže spôsobiť popálenie alebo požiar.
  - **Pri neopatrnom zaobchádzaní môže z akumulátora uniknúť tekutina. Nedotýkajte sa jej. V prípade**
- náhodného kontaktu umyte postihnuté miesto vodou. Ak sa dostane kvapalina z akumulátora do očí, vyhľadajte aj lekársku pomoc. Kvapalina vystrekujúca z akumulátora môže spôsobiť podráždenie alebo popálenie.
- **Nepoužívajte poškodený alebo upravený akumulátor alebo nástroj.** Poškodené alebo upravené akumulátory môžu mať za následok nepredvídateľné fungovanie a spôsobiť požiar, výbuch alebo predstavovať nebezpečenstvo poranenia.
  - **Akumulátor alebo nástroj nevystavujte ohňu alebo nadmerne vysokým teplotám.** Pri vystavení ohňu alebo teplote nad 130 °C (265 °F) môže dôjsť k výbuchu.
  - **Dodržiavajte všetky pokyny na nabíjanie a pri nabíjaní nevystavujte akumulátor alebo nástroj teplotám, ktoré sú mimo teplotného rozsahu uvedeného v pokynoch.** Pri nesprávnom nabíjaní alebo pri vonkajších teplotách mimo uvedeného rozsahu hrozí poškodenie akumulátora a zvyšuje sa nebezpečenstvo požiaru.

## Bezpečnostné upozornenia pre kosačku

- **Kosačku nepoužívajte počas nepriaznivých poveternostných podmienok, najmä ak hrozí riziko bleskov.** Zníži sa tým riziko zasiahnutia bleskom.
- **Skontrolujte, či sa v priestore, kde sa má kosačka používať, nenachádzajú voľne žijúce živočích.** Počas prevádzky kosačky môže dôjsť k zraneniu voľne žijúcich živočíchov.
- **Pozorne skontrolujte priestor, v ktorom sa bude kosačka používať, a odstráňte všetky kamene, konáre, káble, kosti a iné cudzie predmety.** Vymrštené predmety môžu spôsobiť poranenie osôb.
- **Pred použitím kosačky vždy vizuálne skontrolujte, či nie sú nôž a zostava noža opotrebované alebo poškodené.** Opotrebované alebo poškodené diely zvyšujú riziko poranenia.
- **Pred použitím skontrolujte, či napájací kábel a predživovací kábel nie sú poškodené alebo opotrebované. Ak je kábel poškodený alebo opotrebovaný, kosačku nepoužívajte. Ak sa kábel poškodí alebo opotrebuje počas používania, vypnite kosačku a nedotýkajte sa kábla skôr, než ho odpojíte od napájania.** Poškodený napájací alebo predživovací kábel môže spôsobiť úraz elektrickým prúdom, požiar a/alebo vážne zranenie.
- **Pravidelne kontrolujte prípadné opotrebovanie alebo poškodenie zberného koša.** Opotrebovaný alebo poškodený zberný kôš môže zvýšiť riziko poranenia osôb.
- **Neodstraňujte ochranné kryty. Ochranné kryty musia byť v dobrom prevádzkovom stave a správne osadené.** Uvoľnený, poškodený alebo nesprávne fungujúci ochranný kryt môže viesť k zraneniu osôb.
- **Všetky vstupné otvory chladiaceho vzduchu udržiavajte čisté od zvyškov.** Upchaté vstupné otvory vzduchu a zvyšky môžu viesť k prehriatiu alebo riziku požiaru.

- **Počas používania kosačky vždy noste protišmykovú a ochrannú obuv. Kosačku nepoužívajte, ak ste bosí alebo máte obuté otvorené sandále.** Zníži sa tým riziko poranenia chodidiel kontaktom s pohybujúcim sa nožom.
- **Pri práci s kosačkou vždy noste dlhé nohavice.** Odhalená pokožka zvyšuje pravdepodobnosť poranenia vymrštenými predmetmi.
- **Kosačku nepoužívajte na mokrej tráve. Pri práci so zariadením kráčajte, nebežte.** Znižuje sa tým riziko pošmyknutia, spadnutia a následného zranenia.
- **Kosačku nepoužívajte na príliš strmých svahoch.** Znižuje sa tým riziko straty kontroly, pošmyknutia, spadnutia a následného zranenia.
- **Pri práci na svahoch vždy dbajte na to, aby ste mali pevné postavenie, vždy pracujte naprieč svahom, nikdy smerom nahor alebo nadol a buďte mimoriadne opatrní pri zmene smeru.** Znižuje sa tým riziko straty kontroly, pošmyknutia, spadnutia a následného zranenia.
- **Pri cúvaní alebo ťahaní kosačky smerom k sebe buďte mimoriadne opatrní. Vždy sledujte svoje okolie.** Znižuje sa tak riziko zakopnutia počas práce.
- **Napájací kábel uchovávajte mimo priestoru rezných nožov.** Poškodený napájací kábel môže spôsobiť úraz elektrickým prúdom, požiar a/alebo vážne zranenie.
- **Ak je kábel zamotaný alebo poškodený, vypnite kosačku a vytiahnite zástrčku zo siete.** Zamotaný alebo poškodený kábel môže zvýšiť riziko úrazu elektrickým prúdom.
- **Nedotýkajte sa nožov ani iných nebezpečných pohyblivých častí, kým sú v pohybe.** Znižuje sa tým riziko poranenia pohyblivými časťami.
- **Pri odstraňovaní zaseknutého materiálu alebo čistení kosačky sa uistite, že sú vypnuté všetky vypínače a napájací kábel je odpojený.** Neočakávané zapnutie kosačky môže viesť k vážnemu zraneniu osôb.

### Prúdový chránič

- Použite prúdový chránič s vypínacím prúdom maximálne 30 mA.

### Všeobecné bezpečnostné pokyny



**VÝSTRAHA:** Skôr než budete výrobok používať, prečítajte si nasledujúce výstrahy.

- Tento výrobok je nebezpečný, ak sa nepoužíva správne alebo ak nie ste pri jeho používaní opatrní. V prípade nedodržania bezpečnostných pokynov hrozí poranenie alebo usmrtenie.
- Tento výrobok vytvára počas prevádzky elektromagnetické pole. Toto pole môže za určitých okolností spôsobovať rušenie aktívnych alebo pasívnych implantovaných lekárskeho prístrojov. Na zníženie rizika vážneho alebo smrteľného zranenia odporúčame, aby sa osoby s implantovanými

lekárskymi prístrojmi poradili so svojím lekárom a výrobcom pomôcky ešte pred použitím tohto výrobku.

- Vždy zachovávajte opatrnosť a riadte sa zdravým úsudkom. Ak si v určitých situáciách nie ste istí, ako máte výrobok používať, výrobok nepoužívajte a pred pokračovaním v práci sa poraďte s predajcom spoločnosti Husqvarna.
- Myslite na to, že operátor bude zodpovedný za nehody zahŕňajúce iné osoby alebo ich majetok.
- Výrobok udržiavajte čistý. Uistite sa, že sú symboly a emblémy čitateľné.
- Nikdy nedovoľte používať zariadenie deťom ani osobám, ktoré sa neoboznámili s návodom na používanie. Miestne predpisy môžu obmedzovať vek používateľa.
- Osoby so zníženými fyzickými alebo duševnými schopnosťami musia byť počas používania výrobku vždy pod dozorom. Vyžaduje sa neustála prítomnosť zodpovedajúceho dospelého osoby.
- Výrobok nepoužívajte, ak ste unavení, chorí alebo ste pod vplyvom alkoholu, drog alebo liekov. Vyššie uvedené prípady majú negatívny vplyv na váš zrak, ostražitosť, koordináciu a úsudok.
- Výrobok nepoužívajte, ak je poškodený.
- Výrobok žiadnym spôsobom neupravujte ani nepoužívajte, ak existuje možnosť, že bol upravený inými osobami.

### Bezpečnosť pri práci



**VÝSTRAHA:** Skôr než budete výrobok používať, prečítajte si nasledujúce výstrahy.

- Tento výrobok používajte len na kosenie trávy. Výrobok sa nesmie používať na iné úlohy.
- Používajte osobné ochranné pomôcky. Pozrite si časť *Osobné ochranné prostriedky na strane 573*.
- Naučte sa, ako v prípade núdze rýchlo zastaviť motor.
- Výrobok nepoužívajte na daždi alebo vlhkých miestach. V prípade preniknutia vody do výrobku sa zvyšuje riziko zásahu elektrickým prúdom.
- Výrobok nepoužívajte, pokiaľ nie sú nôž a všetky kryty správne upevnené. Nesprávne pripojený nôž sa môže uvoľniť a spôsobiť poranenia osôb.
- Uistite sa, že nôž nenarazí na predmety, ako sú napr. kamene alebo korene. Môže dôjsť k poškodeniu noža a ohnuti hriadeľa motora. Ohnutá náprava spôsobuje silné vibrácie a vzniká veľké nebezpečenstvo uvoľnenia noža.
- Ak nôž narazí na predmet alebo ak cítite vibrácie, výrobok okamžite vypnite. Zastavte motor, otočte bezpečnostný kľúč do polohy 0 a odstráňte batériu. Počkajte, kým sa zastavia pohyblivé časti. Skontrolujte, či nie je výrobok poškodený. Dotiahnite uvoľnené časti. Opravte akékoľvek



poškodenie a vymeňte poškodené diely. Opravu zverte schválenému servisnému zástupcovi.

- Keď je naštartovaný motor, rukoväť motorovej brzdy nesmie byť nikdy trvalo pripevnená k rukoväti.
- Položte výrobok na stabilný, rovný povrch a naštartujte ho. Uistite sa, že sa nôž nedostane do kontaktu so zemou alebo inými predmetmi.
- Pri obsluhu vždy stojte za výrobkom.
- Pri obsluhu výrobku dávajte pozor, aby všetky kolesá dosadali na zem a rukoväť držte oboma rukami. Udržiavajte ruky a chodidlá mimo dosahu rotujúcich nôžov.
- Pri štartovaní motora alebo počas prevádzky výrobok nenakláňajte.
- Pri ťahaní výrobku smerom dozadu buďte opatrní.
- Výrobok nikdy nedvíhajte, keď je spustený motor. Ak výrobok musíte zdvihnúť, najskôr zastavte motor, otočte bezpečnostný kľúč do polohy 0 a odstráňte batériu.
- Počas obsluhy výrobku necúvajte.
- Zastavte motor, keď je potrebné výrobok nakloniť z dôvodu prepravy alebo pred presunom cez plochy bez porastu trávy, napríklad cesty zo štrku, kameňa a asfaltu.
- Keď je zapnutý motor, s výrobkom neutekajte. Počas obsluhy výrobku vždy kráčajte.
- Pred zmenou výšky rezu zastavte motor. Nikdy nevykonávajte nastavenia so zapnutým motorom.
- Nikdy nenechávajte výrobok bez dozoru, keď je zapnutý motor. Zastavte motor a uistite sa, že sa rezné zariadenie neotáča.
- Vibrácie výrobku počas prevádzky sa môžu líšiť od deklarovanej hodnoty vibrácií v časti *Technické údaje na strane 587*. Rozdiel je spôsobený variáciami v spôsobe používania výrobku. Ak výrobok používate často alebo dlhodobo, robte pravidelné prestávky, aby ste predišli poraneniam spôsobeným vibráciami.

## Bezpečnostné pokyny pre prevádzku

### Osobné ochranné prostriedky



**VÝSTRAHA:** Skôr než budete výrobok používať, prečítajte si nasledujúce výstrahy.

- Osobné ochranné prostriedky nedokážu úplne vylúčiť riziko, ale môžu znížiť vážnosť zranenia v prípade nehody. Váš predajca vám pomôže pri výbere správnych prostriedkov.
- Noste odolné protišmykové topánky. Výrobok neobsluhujte v otvorených topánkach ani s bosými nohami.
- Noste dlhé odolné nohavice.
- Keď je to potrebné, používajte ochranné rukavice, ako napríklad pri montáži, kontrole alebo čistení rezného zariadenia.
- Odporúčame používať chrániče sluchu.

## Bezpečnostné zariadenia na výrobu



**VÝSTRAHA:** Skôr než budete výrobok používať, prečítajte si nasledujúce výstrahy.

- Nepoužívajte produkt, ktorý má chybné bezpečnostné zariadenia.
- Neodstraňujte ani neupravujte bezpečnostné zariadenia.
- Pravidelne kontrolujte bezpečnostné zariadenia. Ak sú bezpečnostné zariadenia chybné, obráťte sa na servisného zástupcu spoločnosti Husqvarna.

### Kontrola krytu rezacej časti

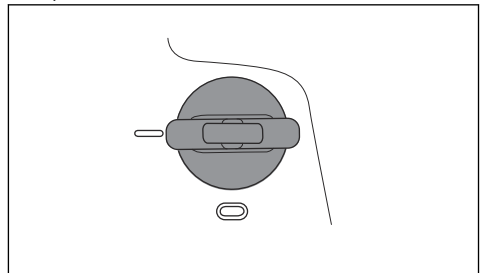
Kryt rezacej časti tlmi vibrácie vo výrobku a znižuje riziko poranenia kotúčom.

- Skontrolujte kryt rezacej časti, aby ste sa uistili, že na ňom nie sú žiadne známky poškodenia, ako sú napr. praskliny.

### Kontrola bezpečnostného kľúča

Bezpečnostný kľúč sa nachádza pod krytom batérie. Bezpečnostný kľúč slúži na pripojenie batérie, ktorá napája motor.

- Pred vykonaním kontroly bezpečnostného kľúča naštartujte a vypnite motor.
- Ak bezpečnostný kľúč funguje správne, motor sa môže spustiť iba vtedy, keď je bezpečnostný kľúč v polohe 1.

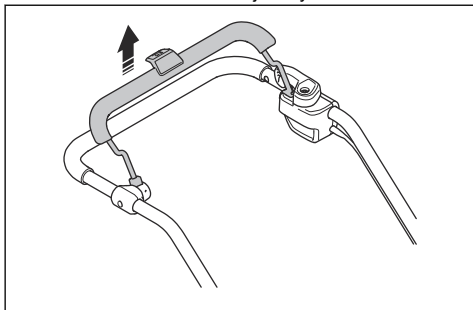


### Kontrola rukoväti motorovej brzdy

Rukoväť motorovej brzdy slúži na zastavenie motora. Keď rukoväť motorovej brzdy uvoľníte, motor sa zastaví.

- Zapnite výrobok. Pozrite si časť *Prevádzka na strane 576*.

- Uvoľnite rukoväť motorovej brzdy.

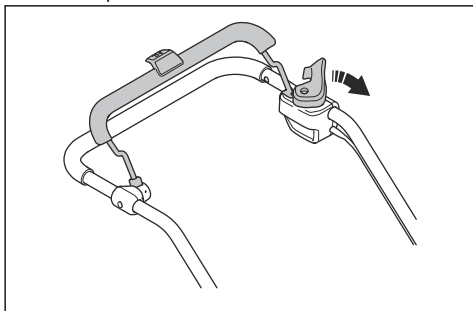


- Skontrolujte, či sa výrobok zastavil. Ak sa motor v priebehu 3 sekúnd nezastaví, požiadajte servisného zástupcu spoločnosti Husqvarna o nastavenie motorovej brzdy.

### Kontrola poistky naštartovania

Skontrolujte poistku naštartovania, aby ste sa uistili, že zabraňuje prevádzke motora.

1. Potlačte páku pohonu smerom k hornej rukoväti. Poistka naštartovania zastaví pohyb.
2. Zatláčajte poistku naštartovania smerom von.



3. Uvoľnite poistku naštartovania a uistite sa, že sa vráti do svojej pôvodnej polohy.

### Bezpečnosť akumulátorov



**VÝSTRAHA:** Skôr než budete výrobok používať, prečítajte si nasledujúce výstrahy.

- Ako napájací zdroj používajte nabíjateľné batérie Husqvarna len pre výrobky typu Husqvarna. V prípade iných zariadení nepoužívajte batérie ako zdroj napájania, aby ste zabránili riziku zranenia.
- Nepoužívajte nenabíjateľné akumulátory.
- Nebezpečenstvo zásahu elektrickým prúdom. Nepripájajte konektory batérie ku kľúčom, minciam, skrutkám ani k iným kovovým predmetom. Môže dôjsť k skratu batérie.
- Do vetracích otvorov batérie nekladajte žiadne predmety.

- Batériu nevystavuje priamemu slnečnému žiareniu, teplu ani otvorenému ohňu. Batéria môže vybuchnúť a spôsobiť popálenie alebo poleptanie.
- Batériu nevystavuje dažďu ani vlhku.
- Batériu nevystavuje mikrovlnnému žiareniu ani vysokému tlaku.
- Nepokúšajte sa rozoberať ani rozdrviť batériu.
- V prípade úniku kvapaliny z batérie zabráňte zasiahnutiu pokožky a očí kvapalinou. V prípade kontaktu s kvapalinou umyte zasiahnutú oblasť veľkým množstvom vody a vyhľadajte lekársku pomoc.
- Batériu vo výrobku používajte iba vtedy, keď je teplota okolitého prostredia v rozsahu 5 °C až 40 °C.
- Nabíjačku batérií používajte iba vtedy, keď je teplota okolitého prostredia v rozsahu 5 °C až 40 °C.
- Batéria sa nenabíja, ak je jej teplota vyššia než 50 °C.
- Batériu ani nabíjačku batérií nečistite vodou. Pozrite si časť *Čistenie batérie a nabíjačky batérií na strane 583*.
- Nepoužívajte chybnú ani poškodenú batériu.
- Batérie uchovávajte v bezpečnej vzdialenosti od kovových predmetov, ako sú napr. kince, mince, šperky.

### Bezpečnosť nabíjačky batérií



**VÝSTRAHA:** Skôr než budete výrobok používať, prečítajte si nasledujúce výstrahy.

- Na nabíjanie náhradných batérií Husqvarna používajte len nabíjačky batérií QC.
- Riziko zasiahnutia elektrickým prúdom alebo skratu. Do vetracích otvorov nabíjačky nekladajte žiadne predmety. Nabíjačku batérií sa nepokúšajte rozoberať. Konečky nabíjačky nikdy nepripájajte ku kovovým predmetom. Používajte schválenú elektrickú zásuvku.
- Tento výrobok vytvára počas prevádzky elektromagnetické pole. Toto pole môže za určitých okolností spôsobovať rušenie aktívnych alebo pasívnych implantovaných lekárskeho prístrojov. Zníženie rizika podmienok, ktoré môžu viesť k vážnemu alebo aj smrteľnému poraneniu, si vyžaduje, aby sa osoby s implantovanými pomôckami poradili so svojím lekárom a výrobcom pomôcky ešte pred použitím tohto výrobku.
- Pravidelne kontrolujte, či napájací kábel nabíjačky batérií nie je poškodený a či na ňom nie sú praskliny.
- Nabíjačku batérií nedvíhajte za napájací kábel. Pri odpájaní nabíjačky batérií od sieťovej zásuvky ťahajte za zástrčku. Neťahajte za napájací kábel.
- Udržiavajte všetky napájacie káble a predlžovacie káble v bezpečnej vzdialenosti od vody, oleja a ostrých hrán. Ubezpečte sa, že kábel nie je privretý vo dverách, plotoch a podobne. Môže to spôsobiť, že nabíjačka bude pod napätím.

- Nabíjačku batérií nečistite vodou.
- Nabíjačku batérií smú používať deti od 8 rokov a osoby s obmedzenými fyzickými, zmyslovými alebo mentálnymi schopnosťami alebo s nedostatkom skúseností a vedomostí, pokiaľ sú pod dohľadom alebo boli poučené o bezpečnom používaní nabíjačky batérií a chápu súvisiace riziká. Deti sa nesmú s nabíjačkou batérií hrať. Deti nesmú vykonávať čistenie ani údržbu zariadenia, ak nie sú pod dozorom.
- Nenabíjateľné batérie nenabíjajte v nabíjačke batérií.
- Nabíjačku batérií nepoužívajte v blízkosti horľavých materiálov alebo materiálov, ktoré spôsobujú koróziu. Nabíjačku batérií nezakrývajte. V prípade výskytu dymu alebo ohňa odpojte zástrčku nabíjačky batérií.
- Nepoužívajte chybnú alebo poškodenú nabíjačku batérií.
- Batériu nabíjajte len v interiéri na miestach s dobrým prúdením vzduchu a mimo slnečného svetla. Batériu nenabíjajte vo vlhkom prostredí.
- Vykonávajte len údržbu uvedenú v tomto návode na obsluhu. Náročnejšie práce a profesionálne opravy musí vykonávať schválený servisný zástupca. Ďalšie informácie získate od najbližšieho servisného zástupcu.
- Správnym vykonaním údržby zvýšite životnosť výrobku a znížite nebezpečenstvo nehôd.
- Vymeňte všetky poškodené, opotrebované alebo zlomené diely. Vždy používajte originálne náhradné diely od výrobcu. Iné náhradné diely môžu spôsobiť poškodenie výrobku a zvýšiť riziko nehôd.
- Aby ste predišli zraneniam, neodstraňujte ani neupravujte bezpečnostné zariadenia.
- Pri používaní rezného zariadenia používajte odolné rukavice. Nôž je veľmi ostrý a ľahko môže dôjsť k porezaniu.
- Rezné hrany udržiavajte ostré a čisté, aby ste dosiahli ten najlepší a najbezpečnejší výkon.
- Nechajte výrobok pravidelne prehliadnuť servisným zástupcom a vykonať na ňom potrebné nastavenia a opravy.
- Pri výmene príslušenstva sa riadte pokynmi. Používajte iba príslušenstvo od daného výrobcu.
- Keď sa výrobok, batéria a nabíjačka batérií nepoužívajú, skladujte ich oddelene na suchom mieste uzamknuté v interiéri. Zaisťte, aby sa k výrobku, batérii ani k nabíjačke batérií nedostali deti ani neoprávnené osoby.

## Bezpečnostné pokyny pre údržbu



**VÝSTRAHA:** Skôr než budete výrobok používať, prečítajte si nasledujúce výstrahy.

- Otočte bezpečnostný kľúč do polohy 0 a vyberte akumulátor, aby ste zabránili náhodnému spusteniu počas údržby. Pred začiatkom údržby počkajte minimálne 5 sekúnd.

## Montáž

### Úvod



**VÝSTRAHA:** Pred zostavením výrobku si prečítajte kapitolu o bezpečnosti.

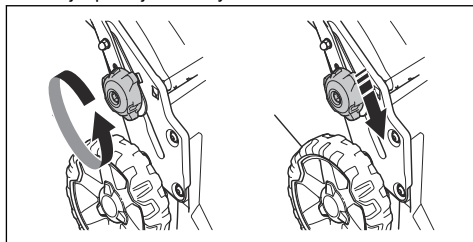


**VÝSTRAHA:** Neúmyselnému spusteniu počas montáže predídete otočením bezpečnostného kľúča do polohy 0, vybratím batérie a dodržaním aspoň 5-sekundovej prestávky.

### Nastavenie rukoväti

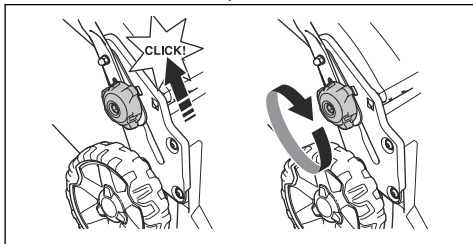
1. Uvoľnite spodné gombíky.

2. Posuňte gombíky smerom k spodnej časti drážok na ľavej a pravej strane výrobku.



3. Nastavte výšku rukoväti do jednej z 2 dostupných polôh.

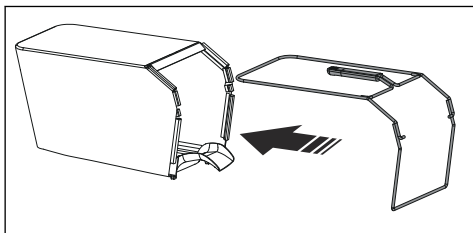
4. Posuňte gombíky nahor smerom k rukoväti, kým sa nezastavia a nebudete počuť kliknutie.



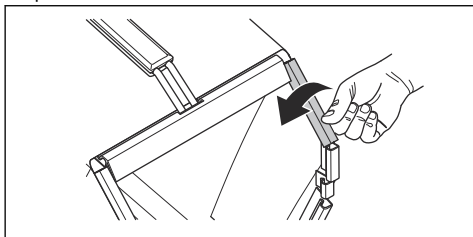
5. Gombíky utiahnite na doraz.

## Zostavenie zberného koša

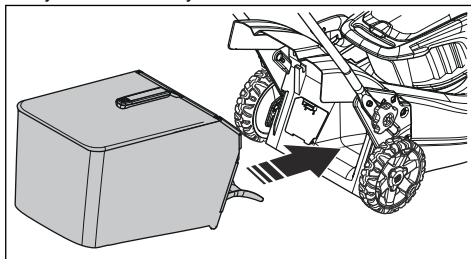
1. Pripojte rám zberného koša k vaku na trávu tak, aby pevná časť vaku bola na spodnej strane. Rukoväť rámu držte nad vakom na trávu.



2. Pripojte spodnú časť rámu zberného koša do drážky v spodnej časti zberného koša.  
3. Vak na trávu pripojte k rámu zberného koša pomocou svoriek.

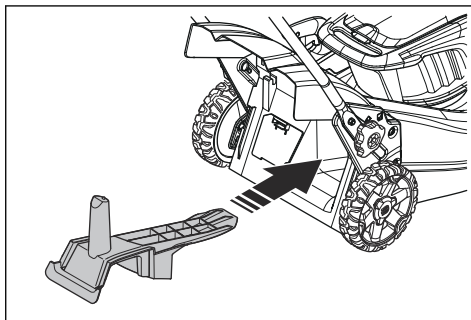


4. Nadvihnite zadný kryt.  
5. Upevnite zberný kôš na horný okraj rámu.  
6. Vložte spodnú časť zberného koša do kanála na vyhadzovanie trávy.



## Osadenie mulčovacej zarážky (príslušenstvo)

1. Nadvihnite zadný kryt a vyberte zberný kôš.  
2. Do kanála na vyhadzovanie trávy vložte prípojku na mulčovanie.



3. Vymeňte nôž za mulčovaci nôž dodávaný v súprave na mulčovanie. Pozrite si časť *Výmena noža na strane 583*.

## Prevádzka

### Úvod



**VÝSTRAHA:** Pred používaním výrobku si musíte prečítať kapitolu o bezpečnosti a porozumieť informáciám, ktoré sa v nej uvádzajú.

- Rozšírené informácie o výrobku.
- Informácie a podpora vzťahujúce sa na súčasti výrobku a servis.

### Ako používať Husqvarna Connect

1. Stiahnite si aplikáciu Husqvarna Connect do mobilného zariadenia.
2. Zaregistrujte sa v aplikácii Husqvarna Connect.
3. Ak chcete pripojiť a zaregistrovať produkt, postupujte podľa pokynov v aplikácii Husqvarna Connect.

### Husqvarna Connect

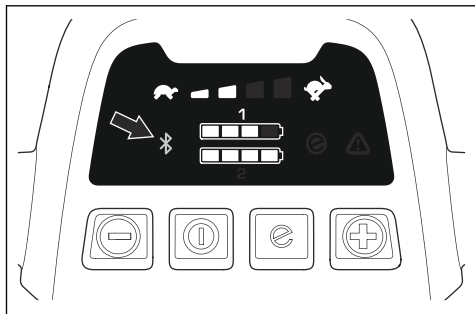
Husqvarna Connect je bezplatná aplikácia pre mobilné zariadenia. Aplikácia Husqvarna Connect prináša rozšírené funkcie pre výrobok Husqvarna:

**Poznámka:** Aplikácia Husqvarna Connect je k dispozícii na prevzatie iba v niektorých trhoch. Ak potrebujete ďalšie informácie, obráťte sa na servisného predajcu.

## Informácie o Bluetooth® (LC 347iVX, LC 353iVX)

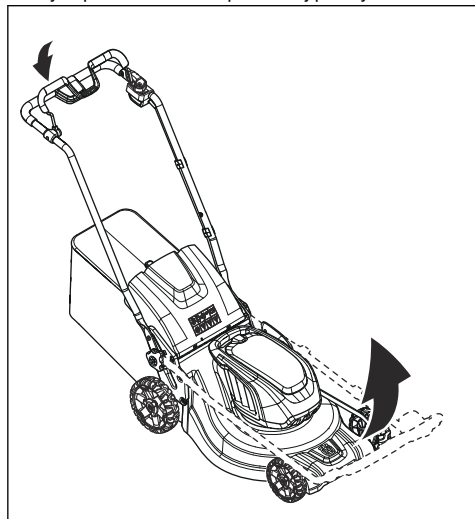
### Bezdrôtová technológia Bluetooth®

Symbol pre bezdrôtovú technológiu *Bluetooth®* sa rozsvieti, keď je vaše mobilné zariadenie pripojené k výrobku.

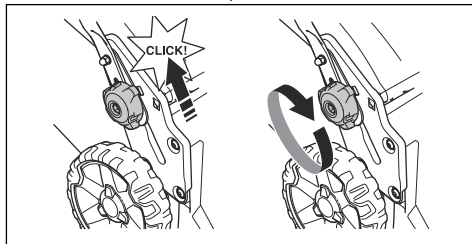


## Nastavenie výrobku do prevádzkovej polohy

1. Vyklopte rukoväť do vzpriamenej polohy.



2. Posuňte gombíky nahor smerom k rukoväti, kým sa nezastavia a nebudete počuť kliknutie.



3. Gombíky utiahnite na doraz.

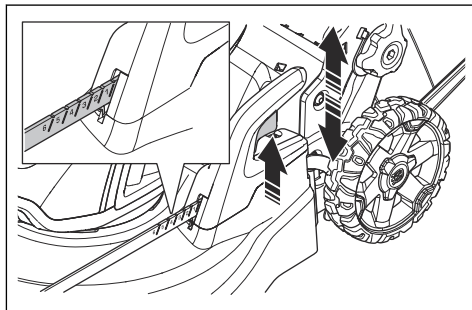


**VÝSTRAHA:** Výrobok nepoužívajte, pokiaľ nie je rukoväť úplne vyklopená a nastavená do jednej z príslušných výškových polôh. Pozrite si časť *Nastavenie rukoväti na strane 575*.

## Nastavenie výšky rezu

Výšku rezu možno nastaviť v šiestich rôznych úrovniach.

1. Ak chcete znížiť výšku rezu, posuňte páku výšky rezu smerom dolu.
2. Ak chcete zvýšiť výšku rezu, posuňte páku výšky rezu smerom hore.



**VAROVANIE:** Nenastavujte výšku rezu príliš nízko. Ak nie je povrch trávnik rovinný, nože môžu narážať o zem.

## Batéria



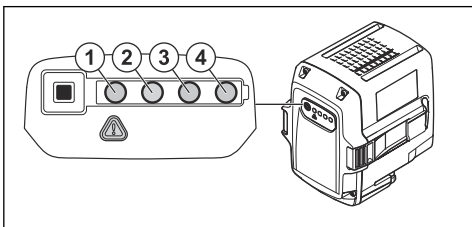
**VÝSTRAHA:** Pred používaním batérie si musíte prečítať kapitolu o bezpečnosti a porozumieť informáciám, ktoré sa v nej uvádzajú. Okrem toho si musíte prečítať návod na obsluhu batérie a nabíjačky batérií a porozumieť jeho obsahu.

Batériu a nabíjačku udržiavajte pri správnej teplote okolia.

	<b>Teplota okolitého prostredia</b>
Prevádzka batérie	5 °C – 40 °C
Nabíjanie batérie	5 °C – 40 °C

## Stav batérie

Na displeji sa zobrazuje zostávajúca kapacita batérie a prípadné problémy s batériou. Kapacita batérie sa zobrazí na 5 sekúnd po vypnutí výrobku alebo po stlačení tlačidla indikátora batérie. Výstražný symbol na batérii sa rozsvieti, keď sa vyskytne chyba. Pozrite si časť *Batéria na strane 584*.



LED svetlá	Stav batérie
Všetky LED svetlá svietia	Plne nabitá (75 – 100 %)
Svieti LED 1, LED 2, LED 3	Batéria je nabitá na 50 % – 75 %
Svieti LED 1, LED 2	Batéria je nabitá na 25 % – 50 %
Svieti LED 1	Batéria je nabitá na 0 % – 25 %.
Bliká LED 1	Batéria je vybitá. Nabite batériu.

## Nabíjanie batérie

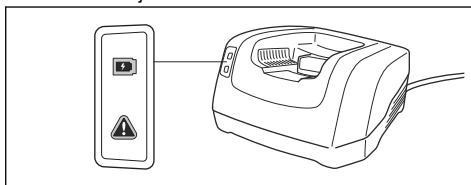
Batériu nabite pred prvým použitím. Pri dodaní zákazníkovi je batéria nabitá len na 30 % kapacity.

**Poznámka:** Nabíjačka batérie musí byť pripojená k sieti s napätím a frekvenciou, ktoré sa uvádzajú na výkonovom štítku.

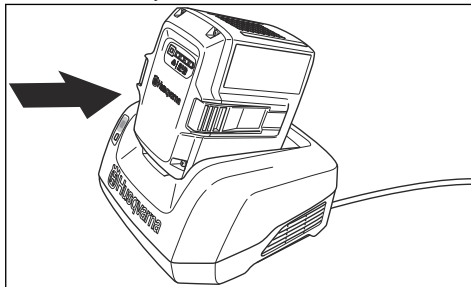
Batéria sa nenabíja, ak teplota batérie prekročí 50 °C. Pred začiatkom nabíjania nabíjačka batérií zníži teplotu batérie.

1. Jeden koniec napájacieho kábla nabíjačky batérií pripojte k zásuvke na nabíjačke batérií.

2. Druhý koniec napájacieho kábla nabíjačky batérií pripojte k uzemnenej sieťovej zásuvke. Indikátor LED na nabíjačke batérií raz blikne nazeleno.



3. Vložte batériu do nabíjačky batérií. Po správnom pripojení batérie k nabíjačke batérií sa na nabíjačke rozsvieti zelený indikátor.



4. Keď svietia všetky indikátory LED na batérii, batéria je plne nabitá. Batériu nabíjajte maximálne 24 hodín.
5. Pri odpájaní nabíjačky batérií od sieťovej zásuvky ťahajte za zástrčku, nie za šnúru.
6. Vyberte batériu z nabíjačky batérií.

## Stav nabíjania batérie

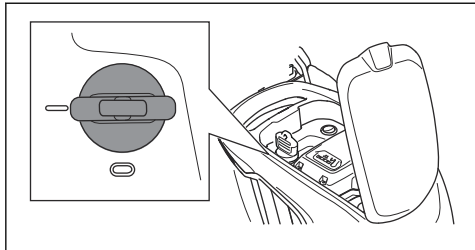
Lítium-iónová batéria Husqvarna sa dá nabíjať a používať pri všetkých úrovniach nabitia. Batéria nie je poškodená. Kapacita úplne nabitaj batérie sa neznižuje ani vtedy, keď ju necháte v nabíjačke.

LED displej	Stav nabíjania
Bliká LED 1	0 % – 25 %
LED 1 svieti, LED 2 bliká	25 % – 50 %
LED 1, LED 2 svietia, LED 3 bliká	50 % – 75 %
LED 1, LED 2, LED 3 svietia, LED 4 bliká	75 % – 100 %
LED 1, LED 2, LED 3, LED 4 svietia	Úplne nabitá

## Zapnutie výrobku (LC 247i)

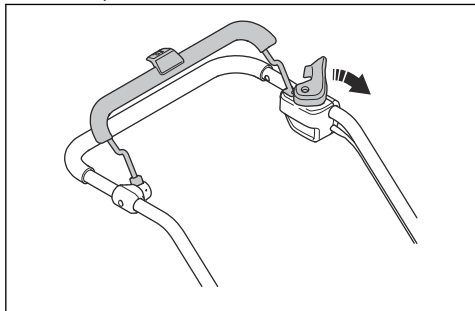
1. Otvorte kryt batérie.
2. Vložte nabitú batériu do jedného z držiakov batérie. Na zaistenie dlhšieho času prevádzky vložte druhú nabitú batériu do druhého držiaka batérie.

3. Otočte bezpečnostný kľúč do polohy 1.

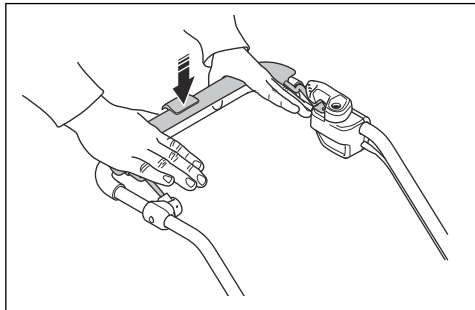


4. Stoďte za výrobkom.

5. Povoľte poistku naštartovania.



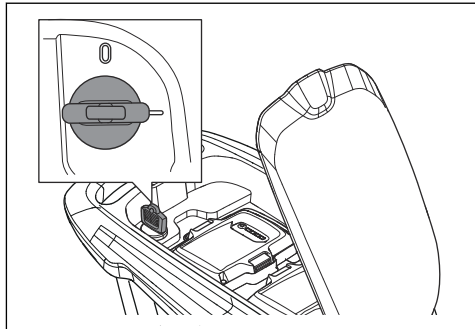
6. Potlačte páku pohonu smerom k hornej rukoväti.



## Zapnutie výrobku (LC 347iVX, LC 353iVX)

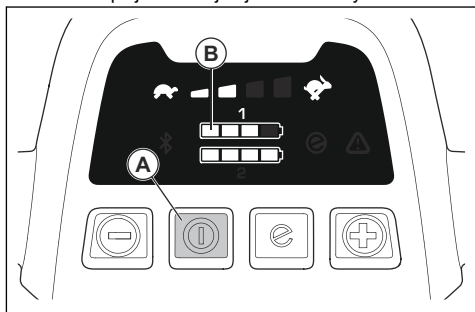
1. Otvorte kryt batérie.
2. Vložte nabitú batériu do jedného z držiakov batérie. Na zaistenie dlhšieho času prevádzky vložte druhú nabitú batériu do druhého držiaka batérie.

3. Otočte bezpečnostný kľúč do polohy 1.

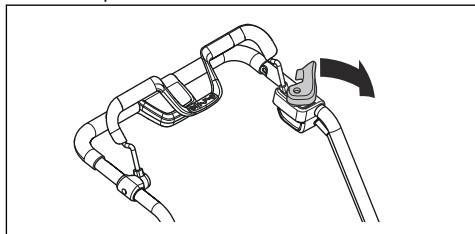


4. Stoďte za výrobkom.

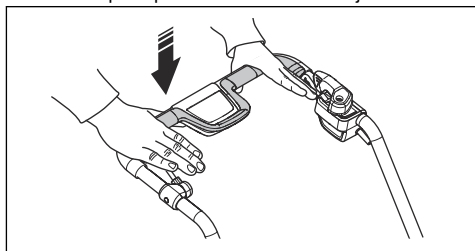
5. Na ovládacom paneli stlačte tlačidlo ON/OFF (Zap./Vyp.) (A). Rozsvieti sa displej. Indikátor batérie (B) zobrazuje úroveň nabitia oboch batérií. Číslo batérie, ktorá sa používa, je zobrazené vedľa indikátora batérie. V prípade modelov LC 347iVX, LC 353iVX sa na displeji zobrazuje aj nastavená rýchlosť.



6. Povoľte poistku naštartovania.

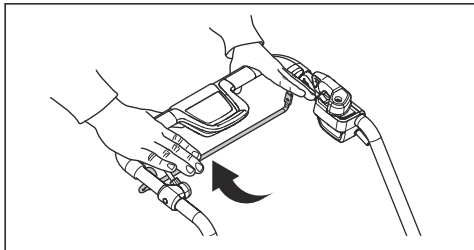


7. Potlačte páku pohonu smerom k hornej rukoväti.

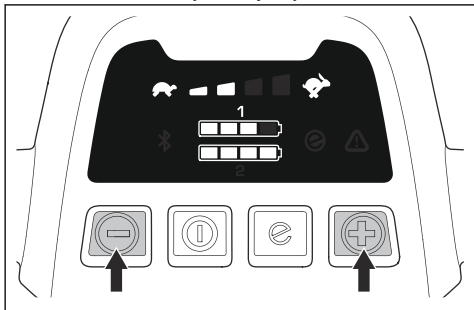


## Používanie pohonu na kolesách LC 347iVX, LC 353iVX

- Potiahnutím páky pohonu smerom k rukoväti spustíte pohon.



- Stláčaním tlačidiel + a – na ovládacom paneli v 4 krokoch nastavíte rýchlosť jazdy.

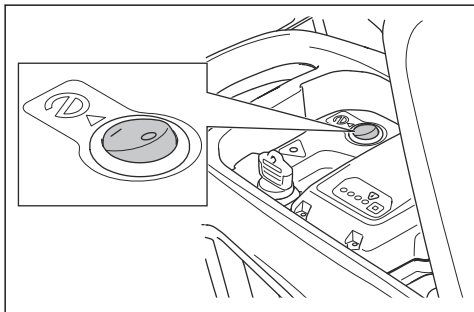


- Uvoľnením páky pohonu deaktivujete pohon, napr. keď sa pohybuje v blízkosti prekážok.

## Používanie SavE™ funkcie (LC 247i)

Výrobok je vybavený funkciou na šetrenie energie batérie (SavE™), ktorá mu umožní dosiahnuť dlhší prevádzkový čas.

- Funkciu spustíte stlačením tlačidla SavE™ do polohy 1.



- Funkciu zastavte stlačením tlačidla SavE™ do polohy 0.

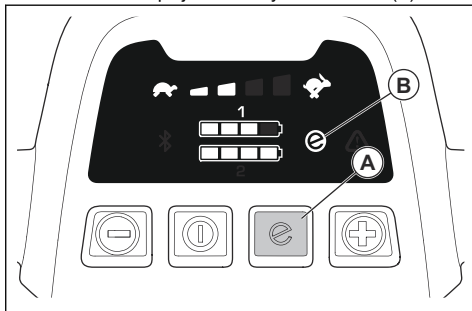
**Poznámka:** Funkcia SavE™ sa preruší automaticky, ak si stav terénu vyžaduje použiť vyšší

výkon. Funkcia SavE™ sa automaticky opäť spustí, keď to stav terénu umožní.

## Používanie SavE™ funkcie (LC 347iVX, LC 353iVX)

Výrobok je vybavený funkciou na šetrenie energie batérie (SavE™), ktorá mu umožní dosiahnuť dlhší prevádzkový čas.

1. Funkciu spustíte stlačením tlačidla SavE™ (A). Na displeji sa rozsvieti symbol SavE™ (B).
2. Opätovným stlačením tlačidla SavE™ vypnete funkciu. Na displeji zhasne symbol SavE™ (B).



**Poznámka:** Funkcia SavE™ sa preruší automaticky, ak si stav terénu vyžaduje použiť vyšší výkon. Funkcia SavE™ sa automaticky opäť spustí, keď to stav terénu umožní.

## Funkcia vysokého zaťaženia

Keď výrobok kosí dlhú alebo mokrú trávu, motor automaticky zvýši otáčky. Motor sa vráti do štandardného režimu, keď už vysoké zaťaženie nie je potrebné.

## Automatické opätovné spustenie

Počas prevádzky sa môže nôž a motor dočasne zastaviť kvôli prekážkam, ako je napríklad upchatie trávou pod krytom rezacej časti. Ak k tomu dôjde a držíte stlačenú rukoväť motorovej brzdy, výrobok sa pokúsi automaticky znova spustiť. Ak sa výrobok do 5 sekúnd znova nespustí, možno budete musieť vyčistiť priestor pod krytom rezacej časti. Pozrite si časť *Čistenie výrobku na strane 583*.



**VÝSTRAHA:** Pred kontrolou krytu rezacej časti uvoľníte rukoväť motorovej brzdy, otočte bezpečnostný kľúč do polohy 0, vyberte batériu a počkajte minimálne 5 sekúnd. V prípade odstránenia prekážky a náhodného spustenia výrobku hrozí nebezpečenstvo poranenia.

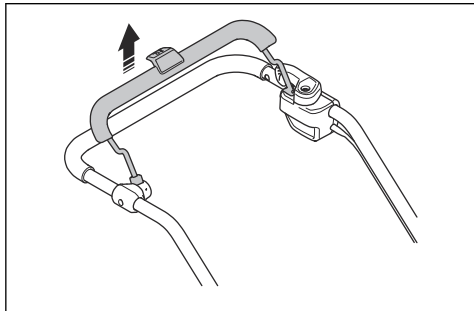


## Zastavenie výrobku (LC 247i)

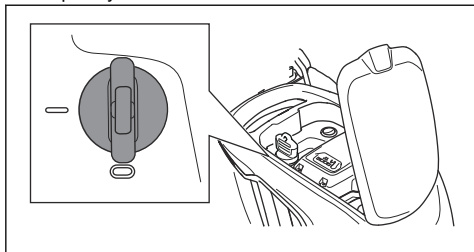


**VÝSTRAHA:** Skôr než spustíte výrobok z dohľadu, otočte bezpečnostný kľúč do polohy 0.

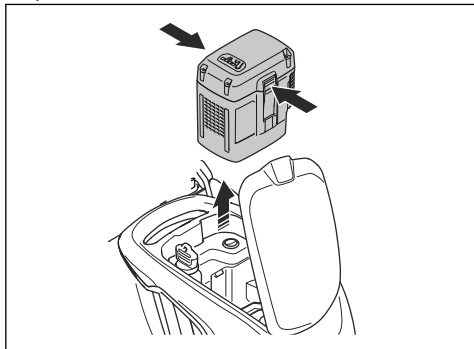
1. Motor zastavíte uvoľnením brzdovej rukoväti motora.



2. Otvorte kryt akumulátora a otočte bezpečnostný kľúč do polohy 0.



3. Batériu vyberte zatlačením 2 uvoľňovacích tlačidiel a potiahnutím batérie smerom von.



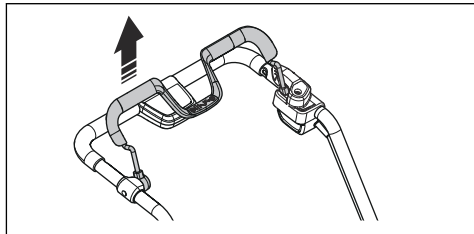
4. Ak má akumulátor nízku kapacitu, nabite ho. Ďalšie informácie získate v časti *Nabíjanie batérie* na strane 578.

## Zastavenie výrobku (LC 347iVX, LC 353iVX)

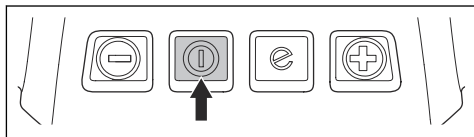


**VÝSTRAHA:** Skôr než spustíte výrobok z dohľadu, otočte bezpečnostný kľúč do polohy 0.

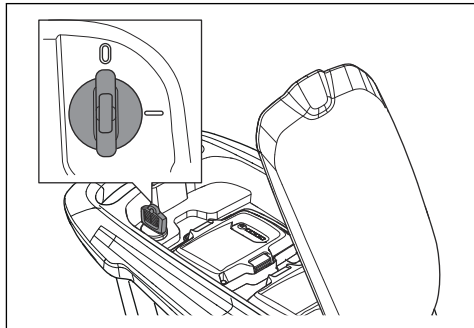
1. Motor zastavíte uvoľnením brzdovej rukoväti motora.



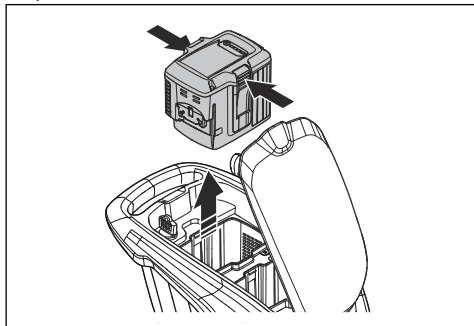
2. Na ovládacom paneli stlačte tlačidlo ON/OFF (Zap./ Vyp.). Všetky diódy LED a symboly na displeji zhasnú.



3. Otvorte kryt akumulátora a otočte bezpečnostný kľúč do polohy 0.



4. Batériu vyberte zatlačením 2 uvoľňovacích tlačidiel a potiahnutím batérie smerom von.



5. Ak má akumulátor nízku kapacitu, nabite ho. Ďalšie informácie získate v časti *Nabíjanie batérie na strane 578*.

**Poznámka:** Výrobok sa automaticky odpojí od napätia , ak ho nepoužívate niekoľko minút. Na opätovné spustenie výrobku si pozrite si časť *Zapnutie výrobku (LC 347iVX, LC 353iVX) na strane 579*.

## Zabezpečenie optimálnych výsledkov

- Vždy používajte ostrý nôž. Tupý nôž poskytuje nepravidelné výsledky kosenia a pokosený povrch trávnikova zožltne. Ostrý nôž spotrebuje menej energie ako tupý nôž.

- Nekoste viac ako 1/3 dĺžky trávy. Najprv koste s nastavenou vysokou výškou rezu. Skontrolujte výsledok a znížte výšku rezu na príslušnú úroveň. Ak je tráva veľmi vysoká, pohybujte sa pomaly a ak je to potrebné, pokoste ju dvakrát.
- Zakaždým koste iným smerom, aby ste predišli vzniku pruhov na trávniku.
- Udržiavajte kryt kosačky čistý. Nahromadenie trávy a nečistoty na vnútornej strane krytu kosačky môže viesť k horšiemu výsledku kosenia. Pozrite si časť *Čistenie výrobku na strane 583*.

## Kosenie trávy bez pripojeného zberného koša alebo zasunutej mulčovacej zarážky

- Nadvihnite zadný kryt a vyberte zberný kôš.
- Ak sa používa mulčovacia zarážka a mulčovací nôž, demontujte ich.
- Pred používaním výrobku zatvorte zadný kryt.

Pri používaní výrobku sa pokosená tráva vyhadzuje pod zadným krytom.

# Údržba

## Úvod



**VÝSTRAHA:** Pred vykonávaním akejkoľvek údržby si musíte prečítať kapitolu o bezpečnosti a porozumieť jej.

Údržba a opravné práce na výrobku si vyžadujú špeciálne školenie. Zaručujeme dostupnosť profesionálnych opravných prác a údržby. Ak váš predajca nie je servisný zástupca, kontaktujte predajcu, ktorý vám poskytne informácie o najbližšom servisnom zástupcovi.

Podrobnejšie informácie nájdete na stránke [www.husqvarna.com](http://www.husqvarna.com).

## Plán údržby

Intervaly údržby sú vypočítané na základe každodenného používania výrobku. Ak sa výrobok nepoužíva každý deň, tieto intervaly sa menia.

V prípade údržby označenej symbolom \* si pozrite pokyny v kapitole *Bezpečnosť na strane 569*.

	Pri každom použití	Mesačne	Každú sezónu
Vykonajte všeobecnú kontrolu	X		
Vyčistite výrobok	X		
Skontrolujte poistku naštartovania *	X		
Skontrolujte, či sú bezpečnostné zariadenia na produkte nepoškodené *	X		
Skontrolujte reznú zariadenie	X		

	Pri každom použití	Mesačne	Každú sezónu
Skontrolujte kryt rezacej časti *	X		
Skontrolujte rukoväť brzdy motora *	X		
Skontrolujte správnosť funkcie vypínača a zistite, či nemá poruchu	X		
Skontrolujte, či batéria nie je poškodená	X		
Skontrolujte nabitie batérie	X		
Skontrolujte, či uvoľňovacie tlačidlá na batérii fungujú správne a riadne zaistia batériu vo výrobku	X		
Skontrolujte, či nabíjačka batérií nie je poškodená, a presvedčte sa, či funguje správne.		X	
Skontrolujte prepojenia medzi batériou a výrobkom. Skontrolujte aj prepojenie medzi batériou a nabíjačkou batérií.			X

## Vykonanie všeobecnej kontroly

- Uistite sa, že sú dotiahnuté matice a skrutky na výrobku.
- Skontrolujte, či káble výrobku nie sú v polohe, v ktorej by sa mohli poškodiť.

## Čistenie výrobku

- Plastové diely čistíte čistou a suchou handričkou.
- Výrobok neumývajte vodou. Voda môže preniknúť do batérie alebo motora a spôsobiť skrat alebo poškodenie výrobku.
- Na čistenie výrobku nepoužívajte vysokotlakový čistič.
- Nikdy nelejte vodu priamo na motor.
- Pomocou kefy odstráňte listy, trávu a nečistoty.

## Čistenie batérie a nabíjačky batérií



**VÝSTRAHA:** Batériu ani nabíjačku batérií nečistíte vodou.

- Pred vložením batérie do nabíjačky batérií skontrolujte, či sú batéria a nabíjačka batérií čisté a suché.
- Svorky batérie čistíte stlačeným vzduchom alebo mäkkou a suchou handričkou.
- Povrch batérie a nabíjačky batérií čistíte mäkkou a suchou handričkou.

## Kontrola rezného zariadenia



**VÝSTRAHA:** Aby ste zabránili náhodnému spusteniu, otočte bezpečnostný kľúč do polohy 0, vyberte batériu a počkajte minimálne 5 sekúnd.



**VÝSTRAHA:** Pri vykonávaní údržby rezného zariadenia používajte ochranné rukavice. Nôž je veľmi ostrý a ľahko môže dôjsť k porezaniu.

1. Skontrolujte, či sa na reznom zariadení nenachádzajú známky poškodenia alebo praskliny. Poškodené rezné zariadenie vždy vymeňte.
2. Skontrolujte, či nie je poškodený alebo tupý nôž.

**Poznámka:** Po nabrúsení je potrebné nôž vyrovnat'. Nôž nechajte nabrúsiť, vymeniť a vyrovnat' v servisnom stredisku. Ak narazíte na predmet, ktorý spôsobí zastavenie výrobku, vymeňte poškodený nôž. Nechajte, aby servisné stredisko rozhodlo, či je možné nôž nabrúsiť alebo sa musí vymeniť.

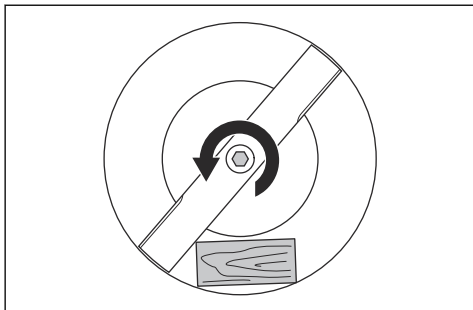
## Výmena noža

Informácie o správnom type noža nájdete v časti *Technické údaje na strane 587*.

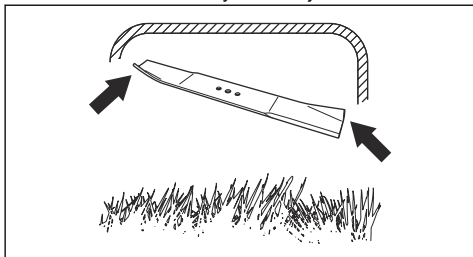


**VÝSTRAHA:** Aby ste zabránili poraneniu prstov pri výmene noža, zaistíte ho dreveným blokom. Nôž sa môže pohybovať, keď je motor vypnutý, a prsty sa môžu zaseknúť medzi nožom a nepohyblivými časťami.

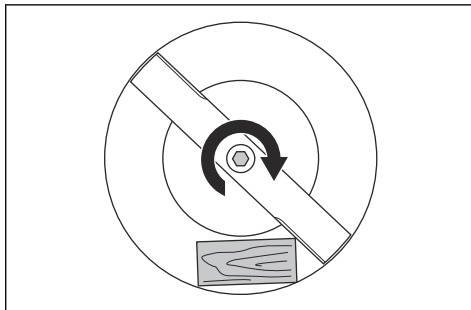
1. Pomocou dreveného bloku zaistíte nôž.



2. Odstráňte skrutku noža.  
3. Odstráňte nôž.  
4. Skontrolujte držiak noža a skrutku noža kvôli známkam poškodenia.  
5. Skontrolujte hriadeľ motora a uistite sa, že nie je ohnutý.  
6. Pri upevňovaní nového noža nasmerujte zošíkmené konce noža v smere krytu rezacej časti.



7. Uistite sa, že je nôž zarovnaný so stredom hriadeľa motora.  
8. Pomocou dreveného bloku zaistíte nôž. Založte odpruženú podložku a utiahnite skrutku a podložku momentom 23 – 28 Nm.



9. Rukou potočte nožom a uistite sa, že sa voľne otáča.



**VÝSTRAHA:** Používajte odolné rukavice. Nôž je veľmi ostrý a ľahko môže dôjsť k porezaniu.

10. Zapnite výrobok a otestujte nôž. Ak nôž nie je správne upevnený, výrobok vibruje alebo poskytuje neuspokojivé výsledky kosenia.

## Riešenie problémov

### Batéria

Indikátory LED na batérii	Príčina	Riešenie
Bliká zelený indikátor LED.	Napätie batérie je nízke.	Nabite batériu. Pozrite si časť <i>Nabíjanie batérie na strane 578</i> .
Bliká indikátor LED, ktorý signalizuje poruchu.	Kapacita batérie je nízka.	Nabite batériu. Pozrite si časť <i>Nabíjanie batérie na strane 578</i> .
	Teplota pracovného prostredia je príliš vysoká alebo príliš nízka.	Batériu používajte v prostredí, v ktorom sa teplota pohybuje v rozsahu 5 °C až 40 °C.
	Prepätie.	Uistite sa, že sieťové napätie zodpovedá údajom uvedenému na výkonovom štítku výrobku.  Vyberte batériu z nabíjačky batérií. Počkajte 5 sekúnd a znova vyskúšajte nabiť batériu. Ak problém pretrváva, obráťte sa na schváleného servisného zástupcu.

Indikátory LED na batérii	Príčina	Riešenie
Svieti indikátor LED, ktorý signalizuje poruchu.	Rozdiel napätia článkov je prívelký (1 V).	Obráťte sa na schváleného servisného zástupcu.

## Nabíjačka batérie

Indikátor LED na nabíjačke batérií	Príčina	Riešenie
Bliká indikátor LED, ktorý signalizuje poruchu.	Teplota pracovného prostredia je príliš vysoká alebo príliš nízka.	Nabíjačku batérie používajte v prostredí, v ktorom sa teplota pohybuje v rozsahu 5 °C až 40 °C.
Svieti indikátor LED, ktorý signalizuje poruchu.		Obráťte sa na schváleného servisného zástupcu.

## Kosačka na trávu

Výstražný indikátor (chybový indikátor LED) sa nachádza pod krytom akumulátora ((LC 247i)) alebo na ovládacom paneli ((LC 347iVX, LC 353iVX)).

Problém	Dióda LED na signalizáciu chýb (počet bliknutí)	Príčina	Riešenie
Bliká LED dióda signalizujúca poruchu. Generátor nefunguje správne.	3	Nôž je blokovaný.	Otočte bezpečnostný kľúč do polohy 0, aby sa zabránilo náhodnému spusteniu. Vyberte batériu a počkajte minimálne 5 sekúnd. Odstráňte možné prekážky a zabezpečte, aby sa nôž mohol voľne otáčať. Ak problém pretrváva, obráťte sa na schváleného servisného zástupcu.
	5	Otáčky motora výrazne klesajú a motor sa zastavuje.	Zvýšte výšku rezu. Pozrite si časť <i>Nastavenie výšky rezu na strane 577</i> .
	6 <sup>89</sup>	Kolesá alebo prevodovka sú zablokované.	Otočte bezpečnostný kľúč do polohy 0, aby sa zabránilo náhodnému spusteniu. Vyberte batériu a počkajte minimálne 5 sekúnd. Odstráňte možné prekážky a zabezpečte, aby sa kolesá mohli voľne otáčať. Ak problém pretrváva, obráťte sa na schváleného servisného zástupcu.
	10	Riadenie motora je príliš horúce.	Zastavte motor a počkajte, kým nevychladne.

<sup>89</sup> LC 347iVX, LC353iVX

Problém	Dióda LED na signalizáciu chýb (počet bliknutí)	Príčina	Riešenie
Bliká LED dióda signalizujúca poruchu. Výrobok sa zastaví.	0	Chyba konektora akumulátora.	Skontrolujte konektor akumulátora.
	3	Motor je preťažený.	Zvýšte výšku rezu. Pozrite si časť <i>Nastavenie výšky rezu na strane 577</i> .
	8	Kapacita batérie je nízka.	Nabite batériu. Pozrite si časť <i>Nabíjanie batérie na strane 578</i> .
	9	Chyba batérie alebo žiaden signál z batérie.	Vložte batériu do výrobku správne a skontrolujte konektor batérie. Ak bliká chybový indikátor LED na batérii. Pozrite si časť <i>Batéria na strane 584</i> .
	12	Nesprávny postup štartovania. Pred spustením motora bola aktivovaná rukoväť motorovej brzdy.	Uvoľnite rukoväť motorovej brzdy a počkajte približne 5 sekúnd. Výrobok spustíte opätovným stlačením rukoväti motorovej brzdy nadol.
Iné chyby.	Ak sa vyskytnú ďalšie chyby, otočte bezpečnostný kľúč do polohy 0, vyberte akumulátor a obráťte sa na autorizovaného servisného zástupcu.		

## Preprava, skladovanie a likvidácia

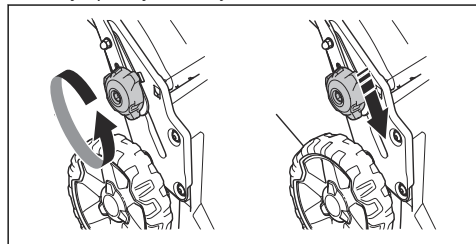
### Úvod



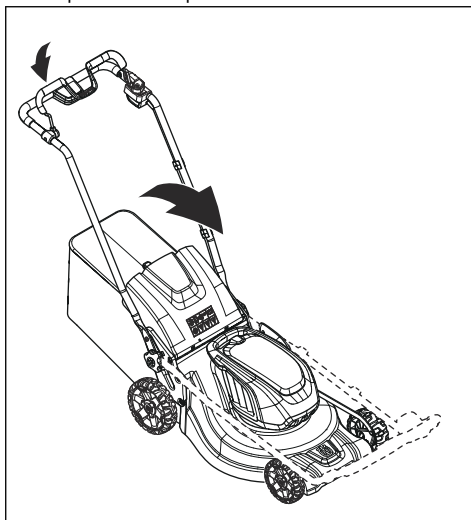
**VÝSTRAHA:** Neúmyselnému spusteniu počas prepravy predídete otočením bezpečnostného kľúča do polohy 0, vybratím batérie a aspoň 5-sekundovou prestávkou.

### Nastavenie výrobku do transportnej polohy

1. Uvoľnite spodné gombíky.
2. Posuňte gombíky smerom k spodnej časti drážok na ľavej a pravej strane výrobku.



3. Skoppte držadlo dopredu.



4. Odstráňte zberný kôš

### Preprava

- Právne predpisy upravujúce nebezpečný tovar sa vzťahujú aj na používané lítium-iónové batérie.

- Pri obchodnej preprave treba dodržiavať špeciálne požiadavky týkajúce sa balenia a štítkov.
- Počas prípravy výrobku na prepravu zaistíte, aby ste splňali právne predpisy týkajúce sa nebezpečných materiálov. Na túto situáciu sa môžu vzťahovať aj miestne nariadenia.
- Pred prepravou vždy vyberte batériu.
- Konektory batérie prelepte páskou a zaistíte, aby sa batéria počas prepravy nehýbala.
- Počas prepravy výrobok zaistíte.
- Výrobok, batériu a nabíjačku batérie skladujte v uzamknutom priestore mimo dosahu detí a neoprávnených osôb.
- Vyčistíte výrobok a uistíte sa, že zberný kôš je prázdny.
- Vykonávajte údržbu uvedenú v tomto návode na obsluhu. Pozrite si časť *Údržba na strane 582*.
- Pred dlhodobým uskladnením vykonajte kompletný servis výrobku.

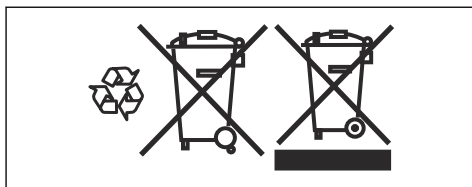
## Skladovanie

- Pred uskladnením nechajte výrobok vychladnúť.
- Pred uložením vždy vyberte batériu.
- Aby ste predišli nehodám, ubezpečte sa, že batéria nie je počas skladovania pripojená k výrobku.
- Nabíjačku batérie skladujte v uzavretých a suchých priestoroch.
- Batériu a nabíjačku batérie skladujte v uzavretých a suchých priestoroch, kde nie sú vystavené vlhkosti ani mrazu.
- Počas skladovania odpojte batériu od nabíjačky.
- Neskladujte batériu na mieste s výskytom statickej elektriny. Batériu nekladajte do kovovej skrinky.
- Výrobok skladujte pri teplote okolitého prostredia v rozsahu -10 °C až 40 °C.
- Batériu skladujte pri teplote okolitého prostredia v rozsahu 5 °C až 25 °C a nevystavujte ju priamemu slnečnému svetlu.
- Nabíjačku batérie skladujte pri teplote okolitého prostredia v rozsahu 5 °C až 45 °C a nevystavujte ju priamemu slnečnému svetlu.
- Pred dlhodobým skladovaním sa uistíte, že batéria je nabitá na 30 – 50 % kapacity.

## Likvidácia

Symbole na výrobku alebo na obale výrobku označujú, že sa tento výrobok nesmie likvidovať ako domáci odpad. Musí sa odovzdať do príslušnej recyklačnej stanice pre recykláciu elektrických a elektronických zariadení.

Zaistením správnej likvidácie tohto výrobku pomôžete zabrániť potenciálnemu negatívemu dopadu na životné prostredie a zdravie ľudí, ktorý by inak mohol byť dôsledkom nesprávnej likvidácie tohto výrobku. Podrobnejšie informácie o recyklácii tohto výrobku získate na mestskom úrade, od služby zaisťujúcej spracovanie domáceho odpadu alebo v predajni, kde ste výrobok zakúpili.



## Technické údaje

### Technické údaje

	LC 247I	LC 347IVX	LC 353IVX
<b>Kosiaci motor</b>			
Typ motora	BLDC (bezkontaktný) 36V	BLDC (bezkontaktný) 36V	BLDC (bezkontaktný) 36V
Otáčky motora – SavE, ot./min.	2600/min	2600/min	2600/min
Otáčky motora – menovité, ot./min.	3000/min	3000/min	3000/min
Otáčky motora – vysoké zaťaženie, ot./min.	3500/min	3500/min	3500/min
Výstupný výkon motora – max., kW	0,96	0,96	1,05
Výstupný výkon motora – menovitý, kW	0,75	0,75	0,9
<b>Hnací motor</b>			
Výstupný výkon motora – menovitý, kW	N/A	0,25	0,25

	LC 247i	LC 347iVX	LC 353iVX
Rýchlosť kráčania, km/h	N/A	3,0 – 4,5	3,0 – 4,5
Úrovně nastavenia rýchlosti	N/A	4	4
<b>Hmotnosť</b>			
Hmotnosť bez obalu (bez batérie), kg	24,5	26	28
Hmotnosť s obalom (vrátane 2 x BLi30), kg	30,5	32,0	34,5
<b>Batéria</b>			
Typ batérie	Rad akumulátorov Husqvarna		
<b>Prevádzková doba batérie</b>			
Prevádzková doba batérie, min, (prevádzka naprázdno) s aktivovanou funkciou SavE, s batériou 7,7 Ah Husqvarna (BLi30).	62	62	46
Prevádzková doba batérie, min, (prevádzka naprázdno) s aktivovaným štandardným režimom, s 7,7 Ah batériou Husqvarna (BLi30).	43	43	28
<b>Emisie hluku</b> <sup>90</sup>			
Nameraná úroveň hlučnosti, dB(A)	94	94	97
Zaručená úroveň hlučnosti L <sub>WA</sub> dB(A)	95	95	98
<b>Úrovně hlučnosti</b> <sup>91</sup>			
Hladina akustického tlaku pri uchu obsluhy, dB (A)	82	82	86
<b>Úrovně vibrácií</b> <sup>92</sup>			
Rukoväť, m/s <sup>2</sup>	0,42	0,42	2,64
<b>Rezné zariadenie</b>			
Výška rezu, mm	20 – 75 mm	20 – 75 mm	20 – 75 mm
Šírka kosenia, cm	47	47	53
Štandardná čepeľ	Zber 5905934-10	Zber 5905934-10	Zber 5940757-10
Príslušenstvo nožov	Mulčovanie 5907010-10	Mulčovanie 5907010-10	Mulčovanie 5950072-10
Kapacita zberného koša, litre	55	55	60

<sup>90</sup> Hladina hluku meraná ako akustický tlak (L<sub>WA</sub>) v súlade s európskou smernicou 2000/14/ES.

<sup>91</sup> Uvádzané údaje o hladine akustického tlaku majú faktor neistoty (K) 1,5 dB (A).

<sup>92</sup> Uvádzané údaje týkajúce sa hladiny vibrácií majú faktor neistoty (K) 1,5 m/s<sup>2</sup>. Deklarovaná celková hodnota vibrácií bola meraná v súlade s Prílohou 1 normy EN 62841-4-3 a môže sa použiť na porovnanie jedného stroja s iným a na predbežné posúdenie expozície.



Údaje o rádiových frekvenciách pre Bluetooth®	LC 247i	LC 347iVX	LC 353iVX
Frekvencné pásmo, GHz	N/A	2,4 – 2,4835	2,4 – 2,4835
Výstupný výkon, max. dBm	N/A	4	4

Schválené batérie	Typ	Kapacita batérie, Ah	Napätie, V	Hmotnosť, kg (lb)
BLi20	Lítium-iónová	4,0	36	2,6/1,2
BLi30	Lítium-iónová	7,7	36	4,2/1,9

Schválené nabíjačky pre uvedené batérie, BLi	Vstupné napätie, V	Frekvencia, Hz	Výkon, W
QC80	100 – 240	50 – 60	80
40-C80	100 – 240	50 – 60	68,8
QC250	100 – 240	50 – 60	250

# Vyhlasenie o zhode

## Vyhlasenie o zhode EÚ

My, spoločnosť **Husqvarna AB**, SE-561 82 Huskvarna,  
Švédsko, tel.: +46-36-146500, vyhlasujeme s plnou  
zodpovednosťou, že výrobok:

<b>Popis</b>	Kosačka na trávu
<b>Značka</b>	Husqvarna
<b>Typ/model</b>	LC 247i
<b>Identifikácia</b>	Výrobné čísla od roku 2021 a novšie

plne spĺňa nasledujúce smernice a nariadenia EÚ:

<b>Smernice/Nariadenia</b>	<b>Popis</b>
2006/42/ES	„o strojových zariadeniach“
2014/30/EÚ	„o elektromagnetickej kompatibilite“
2000/14/ES	„týkajúca sa emisie hluku v prostredí pochádzajúceho zo zariadení používaných vo voľnom priestranstve“
2011/65/EÚ	„o obmedzení používania určitých nebezpečných látok v elektrických a elektronických zariadeniach“

a že sa pri ňom uplatňujú nasledujúce normy a  
technické špecifikácie: EN 62841-1:2015+AC:2015, EN  
62841-4-3:2021+A11:2021, EN ISO 12100:2010, EN  
55014-1:2017+A11:2020, EN 55014-2:2015, EN IEC  
63000:2018.

Notifikovaný orgán: 0404, RISE SMP Svensk  
Maskinprovning AB, Box 7035, SE-750 07 Uppsala,  
osvedčil zhodu so smernicou Rady 2000/14/ES,  
posudzovanie zhody: príloha VI.

Informácie týkajúce sa emisii hluku nájdete v časti  
*Technické údaje na strane 587.*

Huskvarna, 2021-12-01



Claes Losdal, Manažér vývoja/Produkty pre záhradu,  
Husqvarna AB

Zodpovedný za technickú dokumentáciu



## Vyhlasenie o zhode EÚ

My, spoločnosť **Husqvarna AB**, SE-561 82 Huskvarna, Švédsko, tel.: +46-36-146500, vyhlasujeme s plnou zodpovednosťou, že výrobok:

<b>Popis</b>	Kosačka na tráv
<b>Značka</b>	Husqvarna
<b>Typ/model</b>	LC 347iVX, LC 353iVX
<b>Identifikácia</b>	Výrobné čísla od roku 2021-12-01 a novšie

plne spĺňa nasledujúce smernice a nariadenia EÚ:

<b>Smernice/Nariadenia</b>	<b>Popis</b>
2006/42/ES	„o strojových zariadeniach“
2014/53/EÚ	„o rádiových zariadeniach“
2000/14/ES	„týkajúca sa emisie hluku v prostredí pochádzajúceho zo zariadení používaných vo voľnom priestranstve“
2011/65/EÚ	„o obmedzení používania určitých nebezpečných látok v elektrických a elektronických zariadeniach“

a že sa pri ňom uplatňujú nasledujúce normy a technické špecifikácie: EN 62841-1:2015+AC:2015, EN 62841-4-3:2021+A11:2021, EN ISO 12100:2010, EN 55014-1:2017+A11:2020, EN 55014-2:2015, EN IEC 63000:2018, EN ETSI 300 328 v.2.2.2, EN 50663: 2017, ETSI EN 301 489-1 V2.2.3, ETSI EN 301 489-17 V3.2.4.

Notifikovaný orgán: 0404, RISE SMP Svensk Maskinprovning AB, Box 7035, SE-750 07 Uppsala, osvedčil zhodu so smernicou Rady 2000/14/ES, posudzovanie zhody: príloha VI.

Informácie týkajúce sa emisií hluku nájdete v časti *Technické údaje na strane 587*.

Huskvarna, 2021-12-01



Claes Losdal, Manažér vývoja/Produkty pre záhradu, Husqvarna AB

Zodpovedný za technickú dokumentáciu



---

## Registrované ochranné známky

---

Slovné označenie *Bluetooth®* a súvisiace logá sú registrované ochranné známky spoločnosti *Bluetooth SIG, inc.* a každé použitie takýchto značiek spoločnosťou Husqvarna vychádza z licencie.

---

## VSEBINA

---

Uvod.....	592	Odpravljanje težav.....	609
Varnost.....	594	Transport skladiščenje in odstranitev.....	610
Montaža.....	600	Tehnični podatki.....	612
Delovanje.....	601	Izjava o skladnosti.....	614
Vzdrževanje.....	607	Registrirane blagovne znamke.....	615

---

## Uvod

---

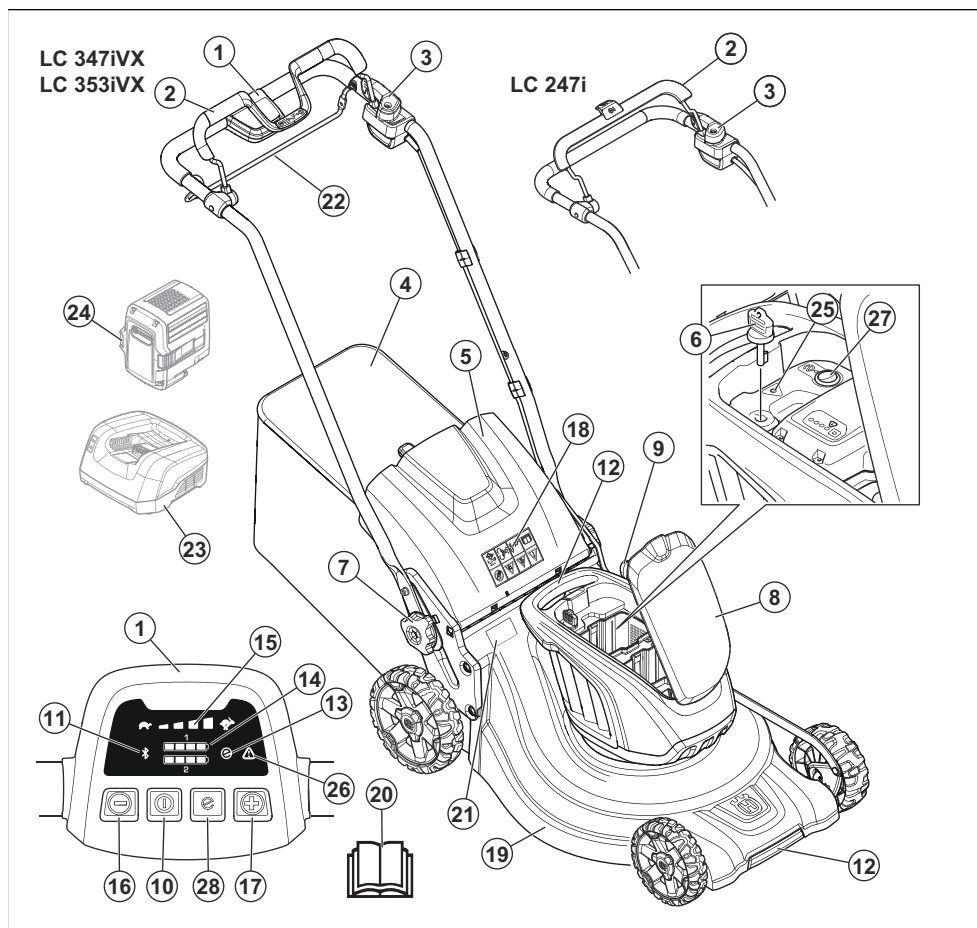
### Opis izdelka

Naprava je rotacijska kosilnica. Pokošena trava se zbira v zbiralniku za travo. Če želite uporabiti zadenjski izmet trave, odstranite zbiralnik za travo. Če želite travo razrezati v gnojilo, namestite mulčer (dodatna oprema).

### Namen uporabe

Izdelek uporabite za rezanje trave. Izdelka ne uporabljajte za druga opravila.

## Pregled izdelka



- |   |   |
|---|---|
| 1. Kontrolna plošča (LC 347iVX, LC 353iVX)                        | 16. Gumb za upočasnjevanje (LC 347iVX, LC 353iVX) |
| 2. Motorna zavorna ročica   | 17. Gumb za pospeševanje (LC 347iVX, LC 353iVX)   |
| 3. Blokada vžiga  | 18. Simboli                                       |
| 4. Zbiralnik za travo   | 19. Pokrov rezila                                 |
| 5. Zadnji pokrov  | 20. Navodila za uporabo                           |
| 6. Varnostni ključ  | 21. Tipska ploščica                               |
| 7. Gumb ročaja  | 22. Pogonska ročica (LC 347iVX, LC 353iVX)        |
| 8. Pokrov baterije  | 23. Baterijski polnilnik (dodatna oprema)         |
| 9. Regulator višine košnje  | 24. Baterija (dodatna oprema)                     |
| 10. Gumb ON/OFF   | 25. LED za napako (LC 247i)                       |
| 11. Indikator brezžične tehnologije <i>Bluetooth</i> <sup>®</sup> | 26. LED za napako (LC 347iVX, LC 353iVX)          |
| 12. Dvižna ročica   | 27. Gumb SaveE (LC 247i)                          |
| 13. Indikator SaveE   | 28. Gumb SaveE (LC 347iVX, LC 353iVX)             |
| 14. Indikator baterije  |   |
| 15. Indikator hitrosti (LC 347iVX, LC 353iVX)                     |   |

## Simboli na izdelku



OPOZORILO



Preberite navodila.



OPOZORILO – Pazite na leteče predmete.



Osebe naj se zadržujejo na varni razdalji.



OPOZORILO – Z rokami in nogami ne segajte v območje rezila.



OPOZORILO – Pred vzdrževanjem odklopite baterijo.



Izdelek ali embalaža izdelka ne spadata med gospodinjske odpadke. Treba ga je reciklirati v zbirnem centru za reciklažo električne in elektronske opreme.



Izdelek je skladen z veljavnimi direktivami ES.



Emisije hrupa za oznako okolja so v skladu z EU ter direktivami in uredbami Združenega kraljevstva. Zajamčena raven zvočne moči izdelka je navedena na oznaki in v *Tehnični podatki na strani 612*.

**IPX1** Izdelek je zaščiten pred kapljicami.



Za zaustavitev sprostite ročico zavore motorja.



Bralna koda

**Opomba:** Ostali simboli in oznake na izdelku se nanašajo na zahteve za certifikacijo, ki veljajo za nekatere trge.

## Nalepke na izdelku



NEVARNOST – Ne približujte rok in nog.

## Odgovornost proizvajalca

Kot je navedeno v zakonodaji, ki ureja odgovornost proizvajalca, ne prevzemamo nikakršne odgovornosti za poškodbe, ki bi jih naši izdelki povzročili v naslednjih primerih:

- Izdelek ni pravilno popravljen.
- Izdelek je popravljen z deli, ki jih ni izdelal ali odobril proizvajalec.
- Na izdelku je nameščena dodatna oprema, ki je ni izdelal ali odobril proizvajalec.
- Izdelek ni bil popravljen v pooblaščenem servisnem centru ali pri pooblaščenem organu.

## Varnost

### Varnostne definicije

Opozorila, svarila in opombe opozarjajo na posebej pomembne dele priročnika.



**OPOZORILO:** Se uporabi, če obstaja nevarnost telesne poškodbe ali

smrti uporabnika ali opazovalcev ob neupoštevanju navodil v tem priročniku.



**POZOR:** Se uporabi, če obstaja nevarnost poškodbe izdelka, drugih materialov ali okolice ob neupoštevanju navodil v tem priročniku.

**Opomba:** Se uporabi za podajanje podrobnejših informacij, potrebnih v dani situaciji.

## Splošna varnostna opozorila za izdelek



**OPOZORILO:** Preberite vsa varnostna opozorila, navodila, slike in specifikacije, dobavljene s tem izdelkom. Neupoštevanje vseh spodaj navedenih navodil lahko povzroči električni udar, požar in/ali težko telesno poškodbo.

**Shranite vsa opozorila in navodila za bodočo uporabo.** Izraz »izdelek« v opozorilih se nanaša na (ozičen) izdelek na omrežni pogon ali (brezžičen) izdelek na akumulatorski pogon.

### Varnost delovnega področja

- **Poskrbite za čistočo in dobro osvetlitev delovnega področja.** Prenatrpani ali mračni prostori kar kličejo nesrečo.
- **Izdelka ne uporabljajte v eksplozivnem okolju, na primer v bližini vnetljivih tekočin, plinov ali prahu.** Izdelek sproža iskre, ki lahko vžgejo prah ali hlape.
- **Ne dovolite, da bi bili med uporabo izdelka prisotni otroci ali opazovalci.** Odvratanje pozornosti lahko povzroči izgubo nadzora.

### Električna varnost

- **Vtiči izdelka se morajo ujemati z vtičnico.** Vtiča na noben način ne predelujte. Z ozemljenim izdelkom ne uporabljajte adapterjev za vtič. Nepredelani vtiči in ustrezne vtičnice poskrbijo za zmanjšano nevarnost električnega udara.
- **Izogibajte se telesnega stika z ozemljenimi površinami, kot so cevi, radiatorji, štedilniki in hladilniki.** Če je vaše telo ozemljeno, se nevarnost električnega udara poveča.
- **Izdelka ne izpostavljajte dežju ali vlagi.** Vlaga, ki vdre v izdelek, povečuje nevarnost električnega udara.
- **Ne ravajte grobo s kablom.** Kabla nikoli ne uporabljajte za prenašanje, vlečenje ali odklapanje izdelka iz vtičnice. Kabel ne sme priti v stik z vročino toplote, oljem, ostrimi robovi ali premikajočimi deli. Poškodovani ali zavozlani kabli povečujejo nevarnost električnega udara.
- **Če uporabljate izdelek zunaj, uporabljajte kabelski podaljšek, ki je primeren za zunanjo uporabo.** Za zmanjšanje nevarnosti električnega udara uporabljajte kabel, primeren za zunanjo uporabo.
- **Če se ne morete izogniti upravljanju izdelka v vlažnem okolju, uporabite zaščitno napravo na diferenčni tok (RCD).** Uporaba naprave RCD zmanjšuje nevarnost električnega udara.

### Osebna zaščita

- **Med uporabo izdelka bodite pozorni, pazite na svoja dejanja in ravnajte razumno.** Ne uporabljajte izdelka,

ko ste utrujeni oziroma pod vplivom drog, alkohola ali zdravil. Trenutek nepozornosti med uporabo izdelka lahko povzroči hudo telesno poškodbo.

- **Uporabljajte osebno zaščitno opremo. Vedno uporabljajte zaščito za oči.** Zaščitna oprema, na primer prašna maska, čevlji z nedrsečimi podplati, čelada ali zaščita za sluh, uporabljena v pravih okoliščinah, zmanjšuje nevarnost osebnih poškodb.
- **Izogibajte se neželenemu zagonu. Preden izdelek priključite na omrežje ali akumulator, ga vzamete v roke ali ga prenašate, se prepričajte, da je stikalo v položaju za izklop.** Prenašanje izdelka s prstom na stikalo ali priklon izdelka z vklopljenim stikalom lahko povzroči nesrečo.
- **Preden izdelek vklopite, odstranite ključ za nastavitev ali izvijač.** Če ostane ključ na vrtečem delu izdelka, lahko povzroči telesne poškodbe.
- **Ne hodite predaleč. Vedno zanesljivo stopajte in pazite na ravnotežje.** To vam omogoča boljši nadzor nad izdelkom ob nepričakovanih dogodkih.
- **Primerno se oblecite. Ne nosite ohlapnih oblačil in nakita. Z lasmi in oblačili ne segajte v območje gibljivih delov.** Ohlapne obleke, nakit ali dolgi lasje se lahko zapletejo v premične dele.
- **Če so naprave opremljene s priključkom za odvajanje in zbiranje prahu, mora biti ta zaseden in pravilno uporabljen.** Zbiranje prahu lahko zmanjša nevarnost zaradi vdihavanja tega.
- **Kljub morebitni pogosti uporabi izdelka bodite previdni in upoštevajte varnostna opozorila za izdelek.** Neprimerna uporaba lahko v trenutku povzroči hudo telesno poškodbo.

### Uporaba in nega izdelka

- **Ne preobremenjujte izdelka. Pri delu uporabljajte ustrezen izdelek.** Pravi izdelek bo delo opravil bolje in varneje, če deluje pri hitrosti, za katero je bil zasnovan.
- **Izdelka ne uporabljajte, če stikalo za vklop/izklop ne deluje.** Izdelek, ki ga ni mogoče upravljati s stikalom, je nevaren in ga je treba popraviti.
- **Pred izvajanjem nastavitve, menjavo priključkov ali shranjevanjem izdelka izvlecite vtič iz omrežne vtičnice in/ali odstranite baterijo iz izdelka, če je to mogoče.** Taki preventivni ukrepi pomagajo zmanjšati nevarnost neželenega vklopa izdelka.
- **Izdelek, ki ga ne potrebujete, shranite zunaj dosega otrok in ne dovolite, da bi ga uporabljale osebe, ki ne poznajo izdelka ali teh navodil.** Izdelek je v rokah nepoučenih uporabnikov nevaren.
- **Vzdržujte izdelek in dodatno opremo. Preverite poravnavo ali zatikanje gibljivih delov. Prepričajte se, da noben del ni poškodovan, in preverite vsa druga stanja, ki bi lahko vplivala na delovanje izdelka. Če je izdelek poškodovan, ga pred uporabo odnesite v popravilo.** Veliko nesreč povzročijo slabo vzdrževani izdelki.

- **Rezila naj bodo vedno ostra in čista.** Pravilno vzdrževana rezila z ostrimi rezalnimi robovi se manj zatikajo in jih je lažje kontrolirati.
- **Izdelek, dodatno opremo, rezalne ploščice ipd. uporabljajte skladno s temi navodili ter upoštevajte delovne pogoje in delo, ki ga boste opravljali.** Uporaba izdelka za opravlila, za katera ta izdelek ni namenjen, je lahko nevarna.
- **Ročaji in prijemalne površine naj bodo suhi, čisti in brez ostankov olja in masti.** Če so ročaji in prijemalne površine spolzki, ne omogočajo varne uporabe in upravljanja izdelka v nepričakovanih razmerah.

## Servis

- **Popravila izdelka sme izvajati usposobljen serviser, pri tem pa mora uporabljati originalne nadomestne dele.** S tem zagotovite ohranitev kakovosti in varnosti izdelka.
- **Ne servisirajte poškodovanih baterijskih enot.** Baterijo lahko servisirajo samo pooblašteni serviserji in proizvajalec.

## Uporaba in nega baterije

- **Baterijo polnite le s polnilnikom, ki ga določi proizvajalec.** Polnilnik, ki je primeren za eno vrsto baterij, lahko poveča nevarnost požara pri drugih baterijah.
- **Izdelke uporabljajte le s točno določenimi baterijami.** Če uporabite druge baterije, se lahko poveča nevarnost poškodb in požara.
- **Ko baterije ne uporabljate, ne sme priti v stik z drugimi kovinskimi predmeti, kot so sponke za papir, kovanci, ključi, žebliji, vijaki ali drugi majhni kovinski predmeti, ki lahko vzpostavijo povezavo med dvema poloma.** Kratek stik med poloma baterije lahko povzroči opekline ali požar.
- **Ob nepravilni in grobi uporabi lahko iz baterije izteka tekočina; izogibajte se stiku s tekočino. Če se tekočina nehote dotaknete, sperite roke z vodo. Če pride tekočina v stik z očmi, poiščite zdravniško pomoč.** Tekočina, ki izteka iz akumulatorja, lahko povzroči draženje ali opekline.
- **Ne uporabljajte poškodovanega ali spremenjenega baterijskega paketa ali orodja.** Poškodovane ali predelane baterije se lahko obnašajo nepredvidljivo in lahko posledično zagorijo, eksplodirajo ali predstavljajo nevarnost poškodb.
- **Baterijskega paketa ali orodja ne izpostavljajte ognju ali previsokim temperaturam.** Izpostavljenost ognju ali temperaturam nad 130 °C (265 °F) lahko povzroči eksplozijo.
- **Upoštevajte vsa navodila za polnjenje in ne polnite baterijskega paketa ali orodja pri temperaturah zunaj temperaturnega območja, navedenega v navodilih.** Neustrezna zamenjava ali temperature zunaj dovoljenega območja lahko povzročijo poškodbe baterije in povečajo nevarnost požara.

## Varnostna opozorila za kosilnico

- **Kosilnice ne uporabljajte v slabem vremenu, zlasti ko obstaja nevarnost bliskanja.** S tem zmanjšate nevarnost udara strele.
- **Prepričajte se, da na območju, na katerem nameravate uporabiti kosilnico, ni prostoživečih živali.** Kosilnica lahko med delovanjem poškoduje prostoživeče živali.
- **Skrbno pregledjte območje, na katerem boste uporabljali kosilnico, ter odstranite vse kamne, veje, kable, kosti in druge predmete.** Zaradi izmeta predmetov lahko pride do telesnih poškodb.
- **Pred uporabo kosilnice se vedno vizualno prepričajte, da rezilo in sklop rezila nista obrabljena ali poškodovana.** Obrabljeni ali poškodovani deli povečajo nevarnost telesnih poškodb.
- **Pred uporabo kosilnice se prepričajte, da napajalni kabel in morebitni podaljšek nista poškodovana ali obrabljena.** Ne uporabljajte kosilnice, če je kabel poškodovan ali obrabljen. Če je kabel med uporabo poškodovan ali obrabljen, izklopite kosilnico in se ne dotikajte kablja, dokler ga ne odklopite iz napajanja. Poškodovan napajalni kabel ali podaljšek lahko povzroči električni udar, požar in/ali hude telesne poškodbe.
- **Pogosto preverjajte, ali je zbiralnik za travo obrabljen ali dotrajen.** Obrabljen ali poškodovan zbiralnik za travo lahko poveča tveganje za telesne poškodbe.
- **Ščitniki naj ostanejo na mestu. Ščitniki morajo biti v delujočem stanju in pravilno nameščeni.** Razrahljan, poškodovan ali nedelujoč ščitnik lahko povzroči telesne poškodbe.
- **Dovodi hladilnega zraka morajo biti prosti.** Zamašeni dovodi za zrak in umazanija lahko povzročijo pregrevanje ali nevarnost požara.
- **Med uporabo kosilnice vedno nosite nedrsečo zaščitno obutev. Kosilnice ne uporabljajte bosih ali v sandalih.** S tem zmanjšate možnost poškodb stopal zaradi stika s premikajočim se rezilom.
- **Med uporabo kosilnice obvezno nosite dolge hlače.** Izpostavljena koža poveča verjetnost poškodb zaradi letočih predmetov.
- **Kosilnice ne uporabljajte na mokri travi. Hodite, nikoli ne tecite.** S tem zmanjšate tveganje zdrsa in padca, ki lahko povzroči telesne poškodbe.
- **Kosilnice ne uporabljajte na strminah z izjemno velikim naklonom.** S tem zmanjšate tveganje izgube nadzora, zdrsa in padca, ki lahko povzroči telesne poškodbe.
- **Pri delu na strminah se vedno prepričajte, da stojite na stabilni podlagi, vedno delajte v vodoravni smeri, nikoli navzgor ali navzdol, in bodite izjemno previdni pri spreminjanju smeri.** S tem zmanjšate tveganje izgube nadzora, zdrsa in padca, ki lahko povzroči telesne poškodbe.
- **Pri obračanju ali vleki kosilnice proti sebi bodite izjemno previdni. Pazite na okolico.** Tako zmanjšate tveganje spotikanja med uporabo kosilnice.



- **Napajalni kabel ne sme priti v stik z rezilom.**  
Poškodovan napajalni kabel lahko povzroči električni udar, požar in/ali hude telesne poškodbe.
- **Če je kabel zavozlan ali poškodovan, izklopite kosilnico in izvlecite vtič iz omrežne vtičnice.**  
Zavozlan ali poškodovan kabel lahko poveča nevarnost električnega udara.
- **Rezila in drugih nevarnih gibljivih delov se ne dotikajte, kadar se premikajo.** Tako zmanjšate tveganje telesnih poškodb zaradi gibljivih delov.
- **Pri odstranjevanju zagozdenega materiala ali čiščenju kosilnice se prepričajte, da so vsa vklopna stikala izključena in da je napajalni kabel odklopljen.**  
Nepričakovano delovanje kosilnice lahko povzroči hude telesne poškodbe.

## Naprava na diferenčni tok

- Uporabljajte napravo na diferenčni tok s sprožilnim tokom največ 30 mA.

## Splošna varnostna navodila



**OPOZORILO:** Pred uporabo izdelka preberite navodila v povezavi z opozorili v nadaljevanju.

- Ta izdelek je lahko nevaren, če ga ne uporabljate pravilno ali če niste previdni. Če ne upoštevate varnostnih navodil, lahko nastopijo poškodbe ali celo smrt.
- Izdelek med delovanjem ustvarja elektromagnetno polje. To polje lahko v nekaterih pogojih moti delovanje aktivnih ali pasivnih medicinskih vsadkov. Uporabnikom medicinskih vsadkov svetujemo, da se pred uporabo tega izdelka posvetujejo z zdravnikom ali proizvajalcem medicinskega vsadka, s čimer zmanjšajo nevarnost resnih ali smrtnih poškodb.
- Vedno bodite previdni in ravnajte razumno. Če niste prepričani, kako upravljati ta izdelek v določeni situaciji, prenehajte z delom in se pogovorite s prodajalcem Husqvarna.
- Ne pozabite, da je uporabnik odgovoren za nesreče, ki jih povzroči drugim ljudem ali njihovi lastnini.
- Stroj redno čistite. Pozorno preberite znake in nalepke.
- Naprave ne smejo uporabljati otroci ali osebe, ki niso seznanjene z navodili. Lokalni predpisi lahko omejujejo starost uporabnika.
- Če izdelek uporabljajo osebe z zmanjšanimi fizičnimi ali intelektualnimi sposobnostmi, jih nenehno nadzorujte. Vedno mora biti prisotna odgovorna odrasla oseba.
- Izdelka ne uporabljajte, ko ste utrujeni, bolni, ali pod vplivom alkohola, drog ali zdravil. To negativno vpliva na vaš vid, pozornost, koordinacijo in presojo.
- Izdelka ne uporabljajte, če je poškodovan.
- Izdelka ne spreminjajte ali uporabljajte, če obstaja možnost, da so ga spremenile tretje osebe.

## Varnost pri delu



**OPOZORILO:** Pred uporabo izdelka preberite navodila v povezavi z opozorili v nadaljevanju.

- Ta izdelek uporabljajte izključno za košnjo trave. Ne uporabljajte ga za druga opravila.
- Uporabljajte osebno zaščitno opremo. Glejte *Osebnna zaščitna oprema na strani 598*.
- V zasilnem primeru morate znati motor hitro izklopiti.
- Izdelka ne uporabljajte dežju ali visoki vlagi. Nevarnost električnega udara se poveča, če v izdelek vdre voda.
- Izdelka ne uporabljajte, če rezilo in vsi pokrovi niso nameščeni pravilno. Nepravilno nameščeno rezilo lahko odleti in povzroči poškodbe.
- Pazite, da rezilo ne udarja ob predmete, npr. kamenje in korenine. To lahko poškoduje rezilo in ukrivi motorno gred. Zvita os povzroča vibracije in zelo visoko tveganje, da rezilo odleti.
- Če rezilo trči ob predmet ali začutite vibracije, izdelek nemudoma izklopite. Izklopite motor, varnostni ključ obrnite v položaj 0 in odstranite baterijo. Počakajte, da se gibljivi deli ustavijo. Preglejte, ali je izdelek morda poškodovan. Trdno pritrdite razrahljane dele. Popravite poškodbe in zamenjajte poškodovane dele. Popravilo naj izvede pooblaščen servisier.
- Ročice zavore motorja nikoli ne pritrdite trajno na ročaj, ko motor deluje.
- Izdelek vklopite na stabilni in ravni podlagi. Prepričajte se, da rezilo ne trči ob tla ali druge predmete.
- Vedno bodite za izdelkom, ko ga upravljate.
- Ko upravljate izdelek, morajo biti vsa kolesa na tleh, prav tako pa imejte na ročaju obe roki. Z dlanimi in stopali se ne približujte vrtljivim rezilom.
- Ne nagibajte izdelka med njegovim delovanjem in zagonom motorja.
- Ko izdelek potegnete nazaj, bodite previdni.
- Izdelka ne dvigajte, ko motor deluje. Če morate izdelek dvigniti, najprej izklopite motor, nato varnostni ključ obrnite v položaj 0 in odstranite baterijo.
- Med uporabo izdelka ne hodite vzvratno.
- Če morate izdelek nagniti zaradi prenašanja ali preden se premikate po območjih brez trave, na primer po poteh iz gramoza, kamna ali asfalta, izklopite motor.
- Pri delujočem motorju ne tecite z izdelkom. Pri uporabi tega izdelka vedno hodite.
- Pred spreminjanjem višine reza ustavite motor. Ne izvajajte nastavitvev, ko motor deluje.
- Izdelek z delujočim motorjem morate imeti vedno na očeh. Izklopite motor in se prepričajte, da se rezalna oprema ne vrti.

- Tresljaji v izdelku med njegovim delovanjem se lahko razlikujejo od vrednosti treslajev, navedenih v razdelku *Tehnični podatki na strani 612*. Razlika je posledica različnih načinov uporabe izdelka. Če izdelek uporabljate pogosto ali dlje časa, delajte redne premore, da preprečite telesne poškodbe zaradi treslajev.

## Varnostna navodila za uporabo

### Osebnna zaščitna oprema



**OPOZORILO:** Pred uporabo izdelka preberite navodila v povezavi z opozorili v nadaljevanju.

- Osebnna zaščitna oprema ne more popolnoma preprečiti poškodb, vendar v primeru nesreče omili posledice. Prodajalec naj vam pomaga izbrati ustrezno opremo.
- Uporabite trpežno obutev, ki ne drsi. Ne bodite bos! ali nosite odprtih čevljev.
- Oblečene imejte trpežne, dolge hlače.
- Po potrebi uporabite zaščitne rokavice, npr. kadar pritrjujete, pregledujete ali čistite rezalno opremo.
- Priporočamo uporabo zaščite za sluh.

### Varnostne naprave na izdelku



**OPOZORILO:** Pred uporabo izdelka preberite navodila v povezavi z opozorili v nadaljevanju.

- Ne uporabljajte izdelka s poškodovanimi varnostnimi napravami.
- Ne odstranjujte in ne spreminjajte varnostnih naprav.
- Redno preverjajte varnostne naprave. Če so varnostne naprave poškodovane, se obrnite na pooblaščen servisno delavnico Husqvarna.

### Preverjanje pokrova rezila

Pokrov rezila zmanjšuje moč vibracij v izdelku in zmanjšuje nevarnost poškodb, katerih vzrok bi lahko bilo rezilo.

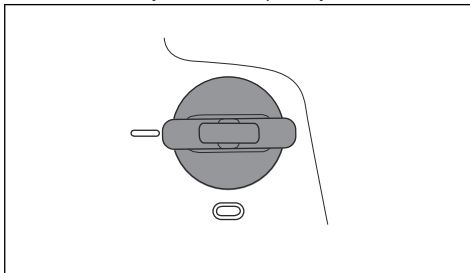
- Preglejte pokrov rezila in se prepričajte, da nima poškodb, kot so razpoke.

### Preverjanje varnostnega ključa

Varnostni ključ je pod pokrovom baterije. Varnostni ključ skrbi za povezavo baterije, ki napaja motor.

- Zaženite in izklopite motor, da preverite varnostni ključ.

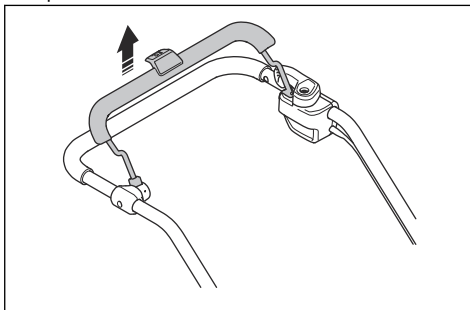
- Če varnostni ključ deluje pravilno, se motor zažene, ko varnostni ključ obrnete v položaj 1.



### Preverjanje zavorne ročice motorja

Zavorna ročica motorja izklopi motor. Ko spustite zavorno ročico motorja, se motor ustavi.

- Zaženite izdelek. Glejte *Delovanje na strani 601*.
- Sprostite motorno zavorno ročico.

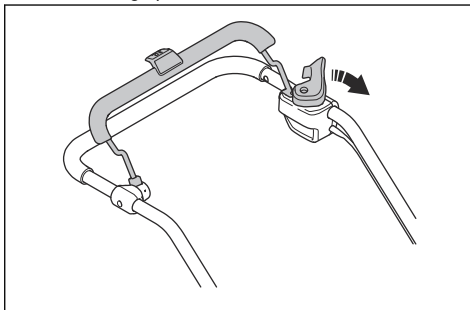


- Prepričajte se, da se je izdelek zaustavil. Če se motor ne izklopi v 3 sekundah, mora izdelek preveriti pooblaščen servis Husqvarna, ki mora nato nastaviti motorno zavoro.

### Preverjanje blokade vžiga

Preverite blokado vžiga in se prepričajte, da onemogoča zagon motorja.

1. Ročico motorne zavore potisnite v smer ročaja. Blokado vžiga ustavi premikanje.
2. Blokado vžiga potisnite ven.



3. Sprostite gumb blokade vžiga in se prepričajte, da se vrne v izhodiščni položaj.

## Varna uporaba baterije



**OPOZORILO:** Pred uporabo izdelka preberite navodila v povezavi z opozorili v nadaljevanju.

- Kot vir napajanja uporabljajte akumulatorske baterije Husqvarna; samo za povezane izdelke Husqvarna. Za preprečevanje poškodb baterije ne uporabljajte za napajanje drugih naprav.
- Ne uporabljajte baterij za enkratno uporabo.
- Nevarnost električnega udara. Poli baterije ne smejo priti v stik s ključi, kovanci, vijaki ali drugimi kovinskimi deli. Lahko bi prišlo do kratkega stika baterije.
- V zračne reže baterije ne vstavljajte predmetov.
- Baterije ne izpostavljajte neposredni sončni svetlobi, vročini ali odprtemu ognju. Baterija lahko eksplodira in povzroči opekline in/ali kemične opekline.
- Baterije ne izpostavljate dežju in vlagi.
- Baterije ne izpostavljajte mikrovalovom in visokemu tlaku.
- Baterije ne poskušajte razstaviti ali odpreti.
- Če baterija pušča, pazite, da tekočina ne pride v stik s telesom ali očmi. Če ste se tekočine dotaknili, območje očistite z obilo vode in poiščite zdravniško pomoč.
- Baterijo uporabljajte samo v okolju s temperaturami med 5 °C in 40 °C.
- Polnilnik baterije uporabljajte samo v okolju s temperaturami med 5 °C in 40 °C.
- Če temperatura baterije presega 50 °C, se baterija ne bo polnila.
- Baterije ali polnilnika nikoli ne čistite z vodo. Glejte *Čiščenje baterije in baterijskega polnilnika na strani 608*.
- Ne uporabljajte poškodovanih ali pokvarjenih baterije.
- Baterije med skladiščenjem ne smejo priti v stik s kovinskimi predmeti, na primer žebli, kovanci ali nakitom.

## Varna uporaba polnilnika baterije



**OPOZORILO:** Pred uporabo izdelka preberite navodila v povezavi z opozorili v nadaljevanju.

- Za polnjenje nadomestnih baterij Husqvarna uporabljajte samo polnilnike baterij QC.
- Nevarnost električnega udara ali kratkega stika. V zračne reže polnilnika ne vstavljajte predmetov. Polnilnika baterije ne poskušajte razstaviti. Poli na polnilniku se ne smejo dotikati kovinskih predmetov. Uporabljajte homologirano omrežno vtičnico.

- Izdelek med delovanjem ustvarja elektromagnetno polje. To polje lahko v nekaterih pogojih moti delovanje aktivnih ali pasivnih medicinskih vsadkov. Uporabnikom medicinskih vsadkov svetujemo, da se pred uporabo tega izdelka posvetujejo z zdravnikom ali proizvajalcem medicinskega vsadka, s čimer zmanjšajo nevarnost resnih ali smrtnih poškodb.
- Redno preverjajte, da napajalni kabel polnilnika ni poškodovan in ni napakan.
- Baterijskega polnilnika ne dvigujte za napajalni kabel. Polnilnik baterije odklopite iz stenske vtičnice tako, da povlečete vtič. Nikoli ne vlecite za napajalni kabel.
- Pazite, da se napajalni kabel in kabelski podaljški ne dotaknejo vode, olja in ostrih robov. Kabli ne smejo biti preščipnjeni med vrata, ograje in podobne dele. Zaradi tega je lahko polnilnik pod napetostjo.
- Polnilnika baterije nikoli ne čistite z vodo.
- Polnilce baterije lahko uporabljajo otroci, stari 8 let in več, ter osebe z omejenimi telesnimi, zaznavalnimi ali duševnimi sposobnostmi ali s pomanjkanjem izkušenj in znanja, če so pri tem pod nadzorom ali jih o varni uporabi ter morebitnih nevarnostih podučijo odgovorna oseba. Otroci se s polnilnikom ne smejo igrati. Otroci naprave brez nadzora ne smejo čistiti, ali opravljati običajnih uporabnikovih vzdrževalnih posegov.
- V baterijskem polnilniku ne polnite baterij za enkratno uporabo.
- Baterijskega polnilnika ne uporabljajte v bližini gorljivih materialov ali materialov, ki povzročajo korozijo. Ne pokrivajte polnilnika baterije. V primeru dima ali požara izvlecite vtič polnilnika baterije.
- Ne uporabljajte poškodovanega ali pokvarjenega polnilnika baterije.
- Baterijo polnite le v zaprtih prostorih z dobrim prezračevanjem, kjer je zaščiten pred neposredno sončno svetlobo. Baterijske enote ne polnite v stiku z vodo ali vlago.

## Varnostna navodila za vzdrževanje



**OPOZORILO:** Pred uporabo izdelka preberite navodila v povezavi z opozorili v nadaljevanju.

- Za preprečevanje neželenega zagona med vzdrževanjem morate varnostni ključ obrniti v položaj 0 in odstraniti baterijo. Pred začetkom vzdrževalnih del počakajte najmanj 5 sekund.
- Vzdrževalna dela opravite tako, kot piše v teh navodilih za uporabo. Zahtevnejše posege in profesionalna popravila mora opraviti pooblaščen serviser. Za več informacij se obrnite na najbližjega servisnega zastopnika.
- Vzdrževalna dela opravljajte pravilno in tako podaljšajte življenjsko dobo izdelka ter zmanjšajte nevarnost nesreč.

- Zamenjajte poškodovane, obrabljene ali zlomljene dele. Vedno uporabljajte originalne nadomestne dele proizvajalca. Drugi nadomestni deli lahko poškodujejo izdelek in povečajo nevarnost nesreč.
- Da preprečite nastanek telesnih poškodb, ne odstranjujte in ne spreminjajte varnostnih naprav.
- Pri delu z rezalno opremo morate nositi močne zaščitne rokavice. Rezilo je izjemno ostro, zato lahko hitro pride do ureznin.
- Za najboljše in najvarnejše delovanje morajo biti rezalni robovi ostri in čisti.
- Izdelek naj redno preverja in po potrebi nastavlja ter popravlja pooblaščen servisna delavnica.
- Upoštevajte navodila za zamenjavo dodatne opreme. Uporabljajte samo dodatno opremo, ki jo odobri proizvajalec.
- Ko izdelka ne uporabljate, morate izdelek, baterijo in polnilnik baterije hraniti ločeno v suhem, zaprtem in zaklenjenem prostoru. Otroci in osebe, katerim uporaba ni dovoljena, ne smejo imeti dostopa do izdelka, baterije ali polnilnika baterije.

## Montaža

### Uvod



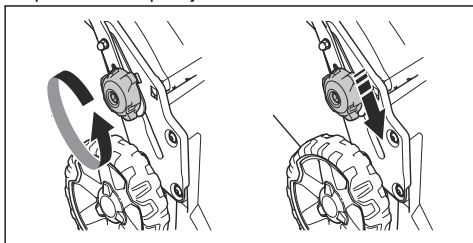
**OPOZORILO:** Preden sestavite izdelek, preberite poglavje o varnosti.



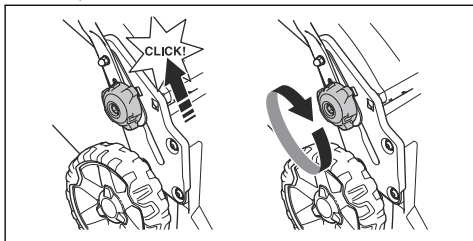
**OPOZORILO:** Neželen vklop med sestavljanjem preprečite tako, da ključ obrnete v položaj 0, odstranite baterijo in počakate vsaj 5 sekund.

### Nastavitev ročaja

1. Sprostite spodnja gumbna vijaka.
2. Gumbna vijaka na levi in desni strani izdelka pomaknite v spodnji del utorov.



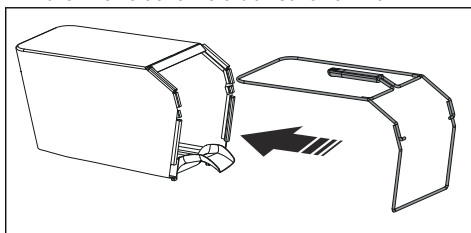
3. Višino ročice prestavite v enega od 2 razpoložljivih položajev.
4. Premaknite gumbna vijaka do konca navzgor proti ročici, da zaslišite klik.



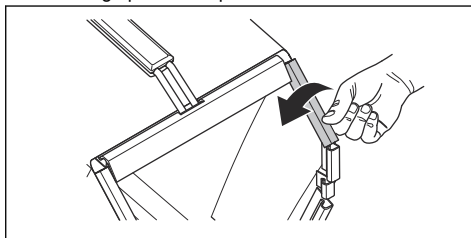
5. Popolnoma zategnite gumbne vijake.

### Namestitev zbiralnika za travo

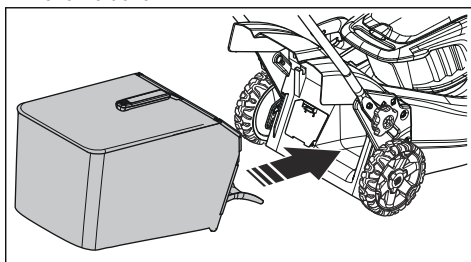
1. Ogrodje zbiralnika za travo vstavite v vrečo za travo tako, da je trdi del vrečke na dnu. Ročaj ogrodja zbiralnika za travo mora biti vedno na vrhu.



2. Spodnji del ogrodja zbiralnika za travo vstavite v utor na dnu zbiralnika za travo.
3. Vrečo za travo namestite na ogrodje zbiralnika za travo in ga pritrдите z sponkami.

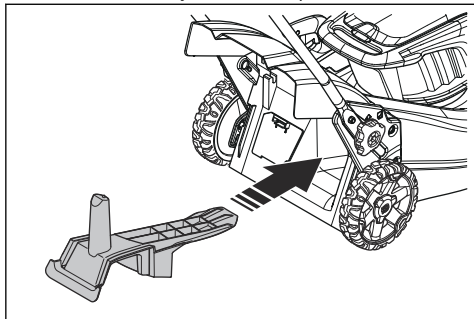


4. Dvignite zadnji pokrov.
5. Zbiralnik za travo pritrđite na zgornji rob ohišja.
6. Vstavite spodnji del zbiralnika za travo v izpustni kanal za travo.



## Namestitev vložka za mulčenje (dodatna oprema)

1. Privzdignite zadnji pokrov in odstranite zbiralnik za travo.
2. Vložek za mulčenje vtaknite v izpustni kanal.



3. Rezilo zamenjajte z rezilom za mulčenje, priloženo kompletu za mulčenje. Glejte poglavje *Zamenjava rezil na strani 608*.

## Delovanje

### Uvod



**OPOZORILO:** Pred uporabo izdelka morate prebrati in razumeti poglavje o varnosti.

### Husqvarna Connect

Husqvarna Connect je brezplačna aplikacija za vašo mobilno napravo. Aplikacija Husqvarna Connect omogoča razširitev funkcij vašega izdelka Husqvarna:

- Dodatne informacije o izdelku.
- Informacije o izdelku, delih in servisu ter pomoč.

### Začetek uporabe aplikacije

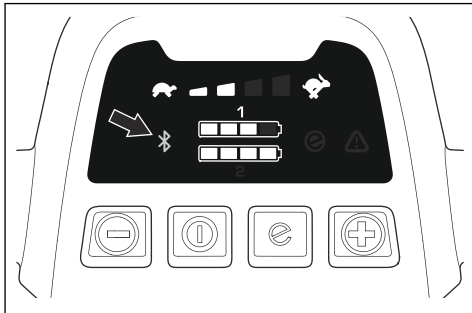
1. V mobilno napravo si prenesite aplikacijo Husqvarna Connect.
2. Registrirajte se v aplikaciji Husqvarna Connect.
3. Za vzpostavitev povezave in registracijo izdelka sledite navodilom v aplikaciji Husqvarna Connect.

**Opomba:** Aplikacija Husqvarna Connect ni na voljo za prenos na vseh trgih. Če potrebujete več informacij, se obrnite na servisnega zastopnika.

### informacije Bluetooth® (LC 347iVX, LC 353iVX)

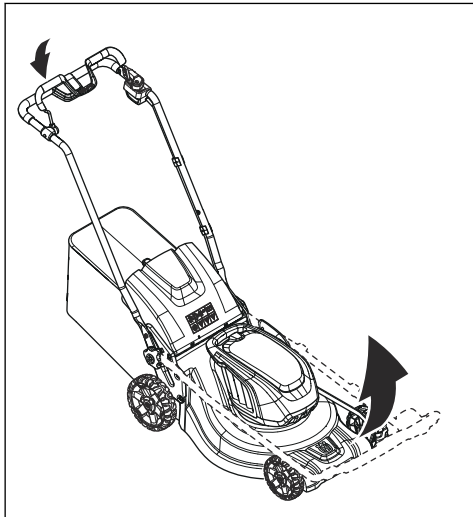
#### Brezžična tehnologija Bluetooth®

Znak za brezžično tehnologijo *Bluetooth®* se vklopi, ko je vaša mobilna naprava povezana z izdelkom.

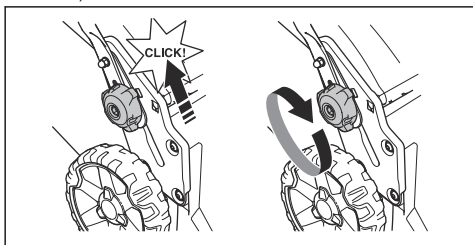


## Nastavitev kosilnice v delovni položaj

1. Ročaj preklpite v navpičen položaj.



2. Premaknite gumbna vijaka do konca navzgor proti ročici, da zaslišite klik.



3. Popolnoma zategnite gumbne vijake.



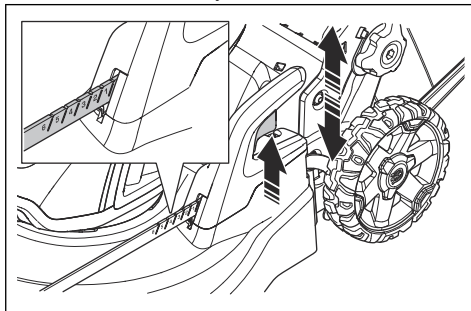
**OPOZORILO:** Izdelek uporabljajte samo, če je ročaj pomaknjen do konca navzgor in je nastavljen v enem od ustreznih višinskih položajev. Glejte *Nastavitev ročaja na strani 600*.

## Nastavitev višine košnje

Košnjo lahko nastavite na 6 višin.

1. Povlecite ročico za nastavitev višine košnje nazaj, da znižate višino košnje.

2. Potisnite ročico za nastavitev višine košnje naprej, da zvišate višino košnje.



**POZOR:** Ne nastavite višino rezanja prenizko. Rezila lahko trčijo ob tla, če površina travnika ni ravna.

## Akumulator



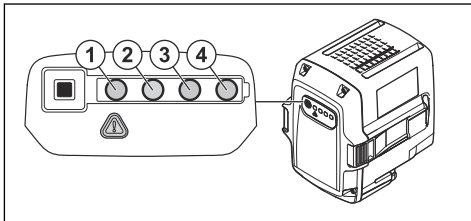
**OPOZORILO:** Pred uporabo baterije morate prebrati in razumeti poglavje o varnosti. Prebrati in razumeti morate tudi navodila za uporabo, ki so priložena bateriji in polnilniku.

Baterijo in polnilnik baterije shranjujte v prostoru s pravilno temperaturo.

	Temperatura okolice
Delovanje baterije	Od 5 °C do 40 °C
Polnjenje baterije	Od 5 °C do 40 °C

## Stanje baterije

Na zaslonu je prikazana preostala napolnjenost baterije in podatki o morebitnih težavah z baterijo. Napolnjenost baterije je prikazana še 5 sekund po izklopu naprave ali pritisku gumba indikatorja baterije. V primeru napake sveti na bateriji opozorilni indikator. Glejte *Akumulator na strani 609*.



Indikatorji LED	Stanje baterije
Vsi indikatorji LED svetijo	Polna napolnjenost (75–100 %)

Indikatorji LED	Stanje baterije
Svetijo indikatorji LED 1, 2 in 3	50–75-odstotna napoljenost
Svetita indikatorji LED 1 in 2	25–50-odstotna napoljenost
Sveti indikator LED 1	0–25-odstotna napoljenost
Indikator LED 1 utripa	Baterija je prazna. Napolnite baterijo.

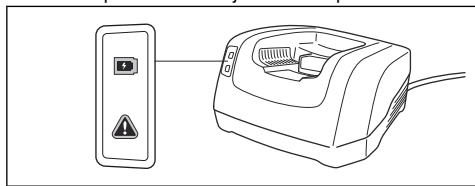
## Poljenje baterije

Baterijo pred prvo uporabo napolnite. Baterija je ob dobavi napolnjena na 30 %.

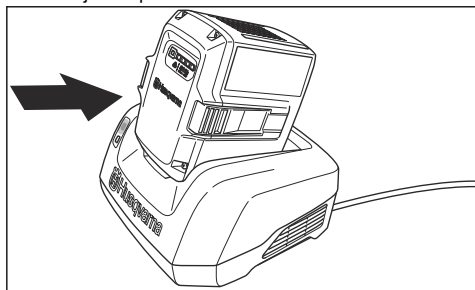
**Opomba:** Baterijski polnilnik mora biti priključen na napetost in frekvenco, ki sta navedena na tipski ploščici.

Če je temperatura baterije višja od 50 °C, se ne polni. Polnilnik baterije pred polnjenjem zniža temperaturo baterije.

1. En konec napajalnega kabla vstavite v konektor v polnilniku baterije.
2. Drugi konec napajalnega kabla polnilnika priklopite v primerno ozemljeno električno vtičnico. Indikator LED na polnilniku baterije enkrat utripne zeleno.



3. Baterijo vstavite v polnilnik baterije. Zeleni indikator na polnilniku se vklopi, ko je baterija pravilno vstavljena v polnilnik.



4. Ko se vsi indikatorji LED na bateriji vklopijo, je baterija popolnoma napolnjena. Baterijo polnite največ 24 ur.
5. Polnilnik baterije iz stenske vtičnice izvlecite za vtič, ne za kabel.

6. Odstranite baterijo iz polnilnika.

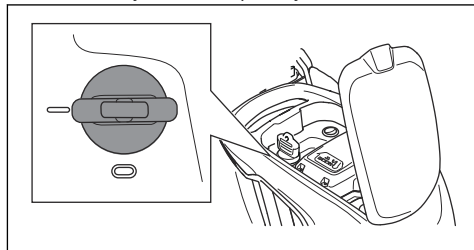
## Stanje napoljenosti baterije

Litij-ionske baterije Husqvarna lahko polnite in uporabljate pri vseh nivojih napoljenosti. Baterija se ne poškoduje. Napoljenost popolnoma napolnjene baterije ne pada, če jo pustite v polnilniku.

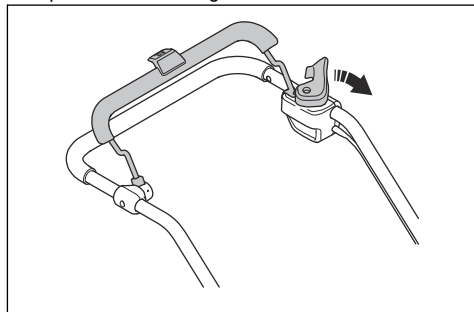
Indikatorji LED	Stanje napoljenosti
Indikator LED 1 utripa	0–25 %
LED 1 sveti, LED 2 utripa	25–50 %
LED 1 in 2 svetita, LED 3 utripa	50–75 %
LED 1, 2 in 3 svetijo, LED 4 utripa	75–100 %
LED 1, 2, 3 in 4 svetijo	Polna napoljenost

## Zagon izdelka (LC 247i)

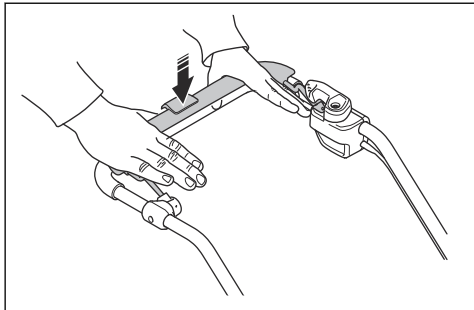
1. Odprite pokrov za baterijo.
2. Napolnjeno baterijo vstavite v 1 od prostorov za baterije. Za daljše delovanje v drug prostorček vstavite še eno napolnjeno baterijo.
3. Varnostni ključ obrnite v položaj 1.



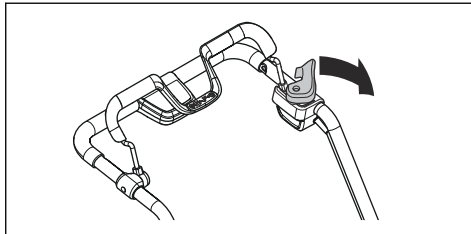
4. Ostanite za izdelkom.
5. Sprostite blokado vžiga.



6. Ročico motorne zavore potisnite v smer ročaja.

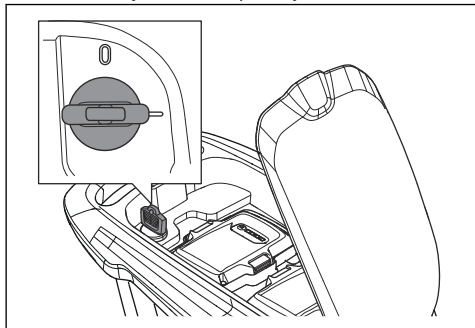


6. Sprostite blokado vžiga.

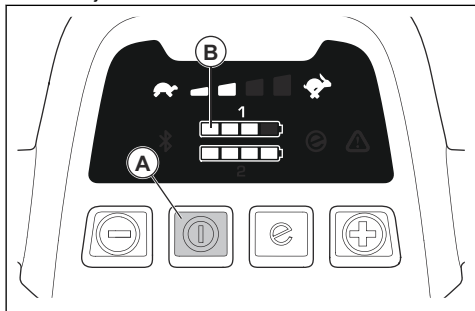


## Zagon izdelka (LC 347iVX, LC 353iVX)

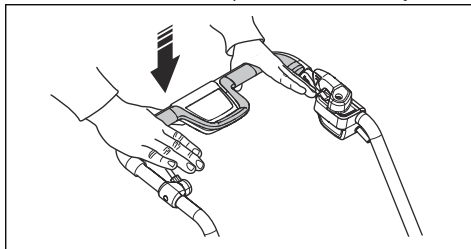
1. Odprite pokrov za baterijo.
2. Napolnjeno baterijo vstavite v 1 od prostorov za baterije. Za daljše delovanje v drug prostorček vstavite še eno napolnjeno baterijo.
3. Varnostni ključ obrnite v položaj 1.



4. Ostanite za izdelkom.
5. Pritisnite gumb za VKLOP/IZKLOP (A) na nadzorni plošči. Zaslona se prižge. Na indikatorju baterije (B) je stanje napoljenosti 2 baterij. Število uporabljenih baterij je prikazano poleg indikatorja baterij. Pri modelih LC 347iVX, LC 353iVX je prikazana tudi nastavljena hitrost.

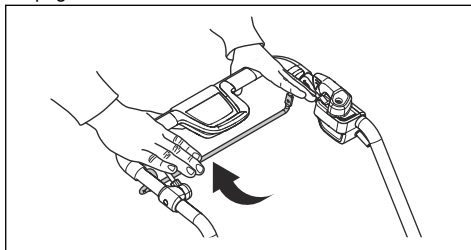


7. Ročico motorne zavore potisnite v smer ročaja.

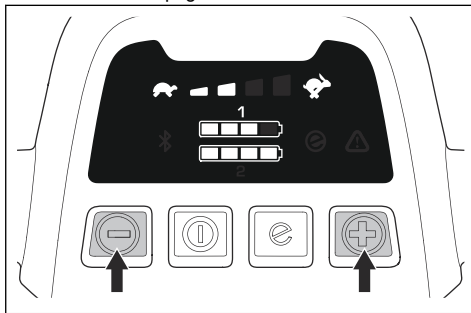


## Za pogon koles LC 347iVX, LC 353iVX

- Povlecite pogonsko ročico proti ročaju za sprostitvev pogona.



- S pritiskanjem + in - na krmilni plošči je mogoče nastaviti hitrost pogona v 4 korakih.



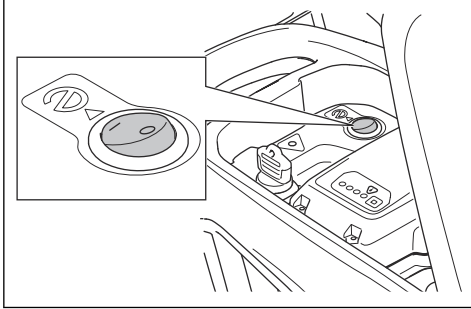
- Sprostite pogonsko ročico, da izklopite pogon, npr. ko ste blizu ovire.



## Uporaba funkcije SavE™ (LC 247i)

Izdelek je opremljen s funkcijo varčevanja z baterij (SavE™), ki omogoča daljši čas delovanja.

- Pritisnite gumb SavE™ v položaj 1, da začnete izvajati funkcijo.



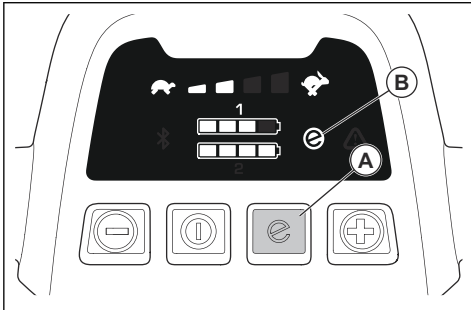
- Znova pritisnite gumb SavE™ v položaj 0, če želite funkcijo izklopiti.

**Opomba:** Funkcija SavE™ se samodejno izklopi, če je zaradi pogojev tal potrebna večja moč. Funkcija SavE™ se znova samodejno zažene, ko pogoji tal to dopuščajo.

## Uporaba funkcije SavE™ (LC 347iVX, LC 353iVX)

Izdelek je opremljen s funkcijo varčevanja z baterij (SavE™), ki omogoča daljši čas delovanja.

1. Pritisnite gumb SavE™ (A) za začetek izvajanja funkcije. Znak SavE™ (B) na zaslonu se vklopi.
2. Znova pritisnite gumb SavE™, če želite funkcijo izklopiti. Znak SavE™ (B) na zaslonu se izklopi.



**Opomba:** Funkcija SavE™ se samodejno izklopi, če je zaradi pogojev tal potrebna večja moč. Funkcija SavE™ se znova samodejno zažene, ko pogoji tal to dopuščajo.

## Funkcija visoke obremenitve

Ko izdelek kosi dolgo ali mokro travo, motor samodejno poveča število vrtljajev. Motor znova preklopi v normalni način, ko višja obremenitev ni več potrebavana.

## Samodejni ponovni zagon

Med delovanjem izdelka se lahko rezilo in motor začasno ustavita zaradi ovir, kot je zagozdena trava pod pokrovom rezila. Če se to zgodi in držite zavorno ročico motorja potisnjeno navzdol, se izdelek poskuša samodejno znova zagnati. Če se izdelek ne zažene znova v 5 sekundah, boste morda morali očistiti pod pokrovom rezila. Glejte *Čiščenje izdelka na strani 607*.



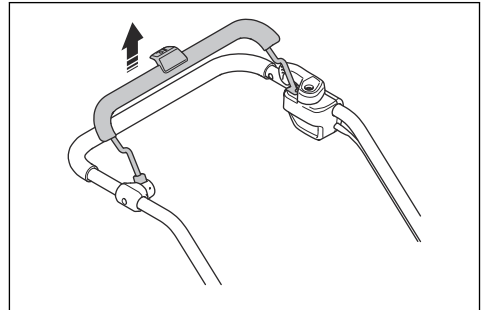
**OPOZORILO:** Preden preverite pokrov rezila, sprostite zavorno ročico motorja, obrnite varnostni ključ v položaj 0, odstranite baterijo in počakajte najmanj 5 sekund. Če se ovira odstrani in se izdelek nenamerno zažene, obstaja nevarnost telesnih poškodb.

## Izklop izdelka (LC 247i)

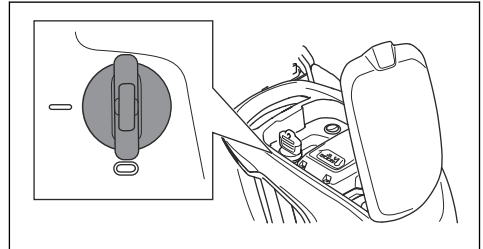


**OPOZORILO:** Pred zapiščanjem izdelka morate varnostni ključ obrniti v položaj 0.

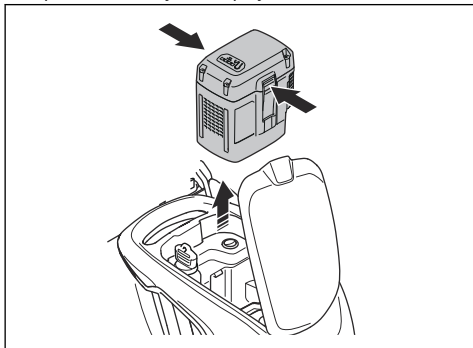
1. Za izklop motorja sprostite ročico motorne zavore.



2. Odprite pokrov baterije in varnostni ključ obrnite v položaj 0.



3. Za odstranitev baterije pritisnite 2 gumba za sprostitve baterije, nato pa jo izvlecite.



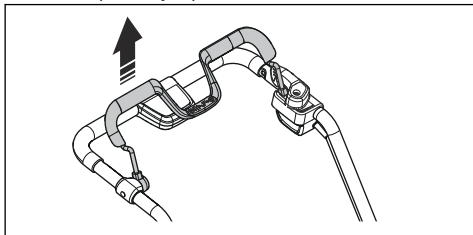
4. Napolnite baterijo, če je izpraznjena. Za več informacij glejte razdelek *Polnjenje baterije na strani 603*.

## Izklop izdelka (LC 347iVX, LC 353iVX)

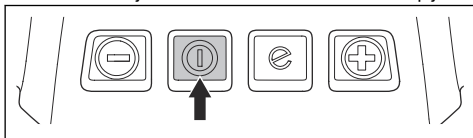


**OPOZORILO:** Pred zupuščanjem izdelka morate varnostni ključ obrniti v položaj 0.

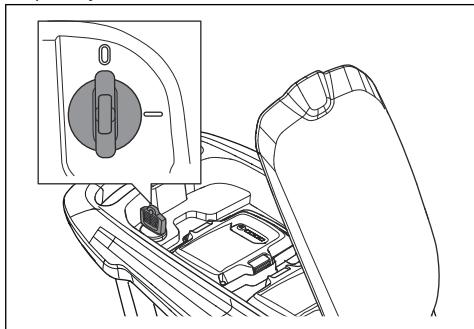
1. Za izklop motorja sprostite ročico motorne zavore.



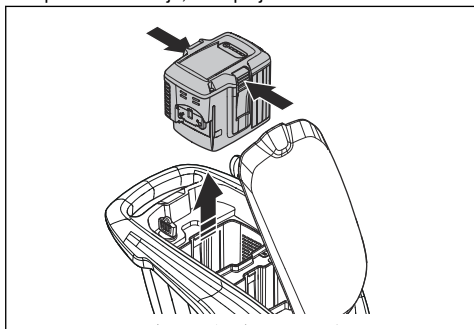
2. Pritisnite gumb za VKLOP/IZKLOP na krmilni plošči. Vsi indikatorji LED in znaki na zaslonu se izklopijo.



3. Odprite pokrov baterije in varnostni ključ obrnite v položaj 0.



4. Za odstranitev baterije pritisnite 2 gumba za sprostitve baterije, nato pa jo izvlecite.



5. Napolnite baterijo, če je izpraznjena. Za več informacij glejte razdelek *Polnjenje baterije na strani 603*.

**Opomba:** Izdelek se samodejno izklopi, če ga nekaj časa ne uporabljate. Če želite izdelek zagnati, glejte razdelek *Zagon izdelka (LC 347iVX, LC 353iVX) na strani 604*.

## Kako doseči dober rezultat

- Vedno uporabljajte ostra rezila. Če uporabljate topo rezilo, bo trava pokošena neenakomerno, ob zarezah pa lahko postane tudi rumena. Ostro rezilo prav tako porabi manj energije kot topo rezilo.
- Ne odrežite več kot tretjino dolžine travnih bilk. Najprej kosite z visoko nastavitvijo višine košnje. Preglejte rezultat in nastavite višino košnje na ustrezno višino. Če je trava zelo visoka, vozite počasi in po potrebi kosite dvakrat.
- Vsakič kosite v različnih smereh, da se na travi ne bi pojavile črte.
- Pokrov kosišča mora biti čist. Obloge iz trave in umazanije na notranji strani pokrova kosišča lahko zmanjša učinkovitost košnje. Glejte *Čiščenje izdelka na strani 607*.

## Košnja trave brez nameščenega zbiralnika za travo ali vložka za mulčenje

- Privzdignite zadnji pokrov in odstranite zbiralnik za travo.

- Če sta nameščena vložek za mulčenje in rezilo za mulčenje, ju odstranite.
- Pred uporabo izdelka zaprite zadnji pokrov.

Ko uporabljate izdelek, poteka izmet pokošene trave pod zadnjim pokrovom.

## Vzdrževanje

### Uvod



**OPOZORILO:** Pred izvajanjem vzdrževalnih del morate prebrati in razumeti poglavje o varnosti.

Za servisiranje in popravila na izdelku posebno usposabljanje ni potrebno. Zagotavljamo, da vam bodo na voljo strokovna popravila in servisiranje. Če vaš prodajalec ni pooblaščen serviser, ga povprašajte, kje je naslednja najbližja pooblaščen servisna delavnica.

Za več informacij glejte [www.husqvarna.com](http://www.husqvarna.com).

### Urnik vzdrževanja

Izračunani intervali vzdrževanja veljajo za vsakodnevno uporabo izdelka. Intervali se spremenijo, če izdelka ne uporabljate vsakodnevno.

Za vzdrževalna dela, označena z \*, glejte navodila v *Varnost na strani 594*.

	Pri vsaki uporabi	Mesečno	Vsako sezono
Opravite splošen pregled	X		
Izdelek očistite	X		
Preverite blokado vžiga *	X		
Prepričajte se, da varnostne naprave izdelka niso poškodovane *	X		
Preglejte rezalno opremo	X		
Preglejte pokrov rezila *	X		
Preverite parkirno zavoro *	X		
Prepričajte se, da gumb za VKLOP/IZKLOP deluje pravilno in ni pokvarjen	X		
Preverite, ali je baterija poškodovana	X		
Preverite napolnjenost baterije	X		
Prepričajte se, da gumba za sprostitev na bateriji delujeta pravilno in omogočata pravilen zaklep baterije v izdelku	X		
Preverite, ali je polnilnik baterije poškodovan, in se prepričajte, da pravilno deluje.		X	
Preverite povezave med baterijo in izdelkom. Preverite tudi povezave med baterijo in polnilnikom baterije.			X

### Izvajanje splošnih pregledov

- Prepričajte se, da so matice in vijaki na izdelku dobro priviti.
- Prepričajte se, da kablji na izdelku niso v položaju, v katerem bi se lahko poškodovali.

### Čiščenje izdelka

- Plastične dele čistite s čisto in suho krpo.
- Izdelka ne čistite z vodo. Voda lahko vdre v baterijo ali motor in povzroči kratki stik ali poškoduje izdelek.
- Izdelka ne čistite z visokotlačnim čistilnikom.
- Vode ne zlivajte neposredno na motor.
- S krtačo odstranite listje, travo in umazanijo.

## Čiščenje baterije in baterijskega polnilnika



**OPOZORILO:** Baterije ali polnilnika nikoli ne čistite z vodo.

- Pred vstavljanjem baterije v polnilnik baterije se prepričajte, da sta baterija in polnilnik baterije čista in suha.
- Pola baterije očistite s stisnjenim zrakom ali za čiščenje uporabite mehko in suho krpo.
- Površine baterije in polnilnika očistite z mehko in suho krpo.

## Kako pregledati rezalno opremo



**OPOZORILO:** Neželen vklop preprečite tako, da varnostni ključ obrnete v položaj 0, odstranite baterijo in počakate vsaj 5 sekund.



**OPOZORILO:** Pri vzdrževanju rezalne opreme uporabite zaščitne rokavice. Rezilo je izjemno ostro, zato lahko hitro pride do uresnin.

1. Preverite, ali je rezalna oprema poškodovana oziroma razpokana. Če je rezalna oprema poškodovana, jo zamenjajte.
2. Preverite, ali je rezilo poškodovano ali topo.

**Opomba:** Rezilo morate po brušenju postaviti v ravnovesje. Izdelek peljite na servisni center, da rezilo nabrusijo, zamenjajo in uravnovesijo. Če trčite ob oviro in se izdelek ustavi, zamenjajte poškodovano rezilo. Pooblaščen servisna delavnica naj oceni, ali lahko rezilo izostrijo ali pa ga je treba zamenjati.

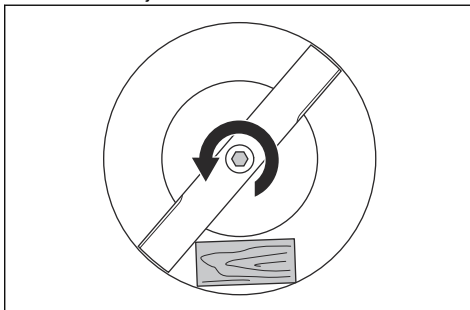
## Zamenjava rezil

Za pravilno vrsto rezila glejte *Tehnični podatki na strani 612*.

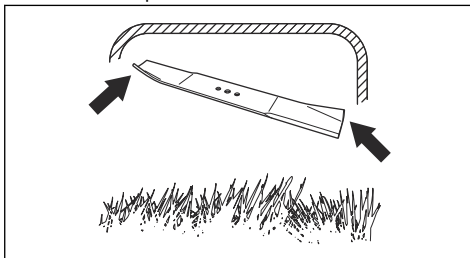


**OPOZORILO:** Preden zamenjate rezilo, ga zablokirajte z leseno klado, da preprečite poškodbe prstov. Rezilo se lahko premakne, ko je motor izklopljen, prsti pa se lahko ujamejo med rezilo in nepremičnimi deli.

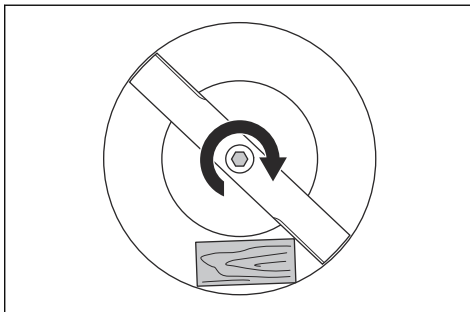
1. Rezilo blokirajte z leseno klado.



2. Odstranite vijak rezila.
3. Odstranite rezilo.
4. Preverite, ali sta nosilec in vijak rezila poškodovana.
5. Preverite motorno gred in se prepričajte, da ni zvita.
6. Ko pritrdite novo rezilo, usmerite nagnjene strani rezila v smer pokrova rezila.



7. Prepričajte se, da je rezilo poravnano s središčem motorne gredi.
8. Rezilo blokirajte z leseno klado. Pritrdite podložko vzmeti in privijte vijak in podložko z zateznim momentom 23–28 Nm.



9. Ročno zavrtite rezilo in se prepričajte, da se prosto obrača.



**OPOZORILO:** Nosite trpežne rokavice. Rezilo je izjemno ostro, zato lahko hitro pride do uresnin.

10. Izdelek vklopite, da preizkusite rezilo. Če rezilo ni pritrjeno pravilno, bo izdelek vibriral, rezultat košnje pa ne bo zadovljljiv.

## Odpravljanje težav

### Akumulator

LED na bateriji	Vzrok	Rešitev
Zeleni indikator LED utripa	Napetost baterije je prenizka.	Napolnite baterijo. Glejte <i>Polnjenje baterije na strani 603</i> .
Indikator LED za napako utripa.	Napolnjenost baterije je nizka.	Napolnite baterijo. Glejte <i>Polnjenje baterije na strani 603</i> .
	Temperatura v delovnem okolju je previsoka ali prenizka.	Baterijo uporabljajte v okolju s temperaturami med 5 °C in 40 °C.
	Prenapetost.	Prepričajte se, ali je napetost omrežja enaka napetosti, navedeni na tipski ploščici izdelka.  Odstranite baterijo iz polnilnika. Počakajte 5 sekund in baterijo poskusite napolniti znova. Če napake ne morete odpraviti, se obrnite na pooblaščenega servisnega zastopnika.
Indikator LED za napako sveti.	Razlika med celicami je prevelika (1 V).	Obrnite se na pooblaščenega servisnega zastopnika.

### Baterijski polnilnik

LED na polnilniku baterije	Vzrok	Rešitev
Indikator LED za napako utripa.	Temperatura v delovnem okolju je previsoka ali prenizka.	Polnilnik baterije uporabljajte v okolju s temperaturami med 5 °C in 40 °C.
Indikator LED za napako sveti.		Obrnite se na pooblaščenega servisnega zastopnika.

### Vrtna kosilnica

Opozorilni indikator (lučka LED za napako) je pod pokrovom baterije ((LC 247i)) ali na kontrolni plošči ((LC 347iVX, LC 353iVX)).

Težava	Lučka LED za napako (število utripov)	Vzrok	Rešitev
Utripanje diode LED za napako. Izdelek ne deluje pravilno.	3	Rezilo je blokirano.	Obrnite kontaktni ključ v položaj 0, da preprečite nenameren zagon. Odstranite baterijo in počakajte najmanj 5 sekund. Odstranite morebitne ovire in se prepričajte, da se rezilo lahko prosto vrti. Če napake ne morete odpraviti, se obrnite na pooblaščenega servisnega zastopnika.
	5	Število vrtljajev motorja preveč upade in motor se izklopi.	Dvig višine košnje. Glejte <i>Nastavitev višine košnje na strani 602</i> .
	6 <sup>93</sup>	Kolesa ali menjalnik so blokirana.	Obrnite kontaktni ključ v položaj 0, da preprečite nenameren zagon. Odstranite baterijo in počakajte najmanj 5 sekund. Odstranite morebitne ovire in se prepričajte, da se rezilo lahko prosto vrti. Če napake ne morete odpraviti, se obrnite na pooblaščenega servisnega zastopnika.
	10	Krmilnik motorja je prevroč.	Izklopite motor in počakajte, da se ohladi.
Utripanje diode LED za napako. Izdelek se zaustavi.	0	Napaka priključka baterije.	Preverite priključek baterije.
	3	V motorju prihaja do preobremenjenosti.	Dvig višine košnje. Glejte <i>Nastavitev višine košnje na strani 602</i> .
	8	Napolnjenost baterije je nizka.	Napolnite baterijo. Glejte <i>Polnjenje baterije na strani 603</i> .
	9	Napaka baterije ali baterija ne oddaja signala.	Baterijo pravilno vstavite v izdelek in preverite priključek baterije. Če indikator LED na bateriji utripa. Glejte <i>Akumulator na strani 609</i> .
	12	Napačen postopek zagona. Motorna zavorna ročica je aktivirana pred zagonom motorja.	Sprostite motorno zavorno ročico in počakajte približno 5 sekund. Motorno zavorno ročico znova potisnite navzdol, da zaženete izdelek.
Druge napake.	Če pride do drugih napak, obrnite ključ v položaj 0, odstranite baterijo in se obrnite na pooblaščenega serviserja.		

## Transport skladiščenje in odstranitev

### Uvod

v položaj 0, odstranite baterijo in počakate vsaj 5 sekund.

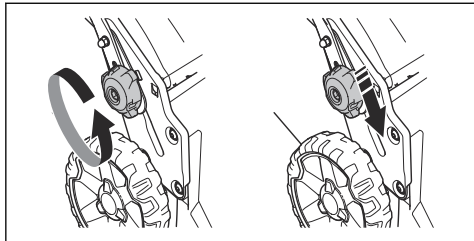


**OPOZORILO:** Nenačrtovan vklop med transportom preprečite tako, da ključ obrnete

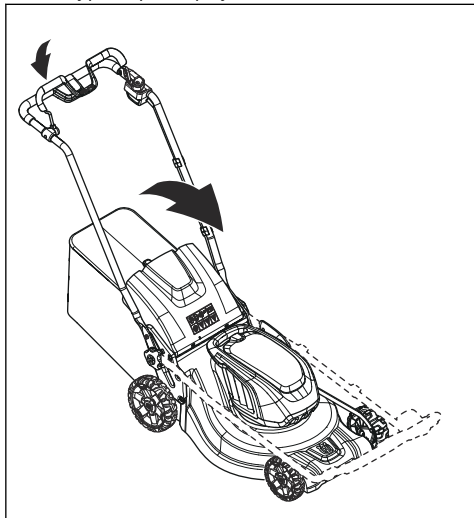
<sup>93</sup> LC 347iVX, LC353iVX

## Nastavitev izdelka v transportni položaj

1. Sprostite spodnja gumbna vijaka.
2. Gumbna vijaka na levi in desni strani izdelka pomaknite v spodnji del utorov.



3. Ročaj preklopite naprej.



4. Odstranite zbiralnik za travo.

## Prevoz

- Za vstavljene litij-ionske baterijske enote veljajo zahteve zakonodaje o nevarnem blagu.
- Pri transportu v komercialne namene morate upoštevati posebne zahteve, navedene na pakiranju in nalepkah.
- Pri pripravi izdelka za transport morate upoštevati uredbe za ravnanje z nevarnimi materiali. Veljajo lokalni predpisi.
- Baterijo pri prevozu vedno odstranite.
- Na priključke baterije namestite izolacijski trak in se prepričajte, da se baterija med transportom ne more premikati.
- Med izdelek pritrdite.

## Shranjevanje

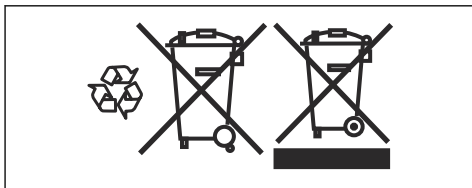
- Pustite, da se izdelek ohladi, preden ga shranite.

- Baterijo pri skladiščenju vedno odstranite.
- Za preprečevanje nesreč baterija med skladiščenjem ne sme biti priključena.
- Polnilnik baterije vedno hranite v zaprtem in suhem prostoru.
- Baterijo in polnilnik baterije hranite v zaprtem prostoru, kjer ni vlage ali nevarnosti zamrzovanja.
- Med shranjevanjem baterijo odstranite iz polnilnika.
- Baterijske ne shranjujte na mestu, kjer je lahko prisotna statična elektrika. Baterije ne shranjujte v kovinski škatli.
- Izdelek shranjujte v prostoru s temperaturo med  $-10\text{ }^{\circ}\text{C}$  in  $40\text{ }^{\circ}\text{C}$ .
- Baterijo shranjujte v prostoru s temperaturo med  $5\text{ }^{\circ}\text{C}$  in  $25\text{ }^{\circ}\text{C}$ , ki je zaščiten pred neposredno sončno svetlobo.
- Polnilnik baterije shranjujte v prostoru s temperaturo med  $5\text{ }^{\circ}\text{C}$  in  $45\text{ }^{\circ}\text{C}$ , ki je zaščiten pred neposredno sončno svetlobo.
- Pred dolgotrajnejšim skladiščenjem mora biti baterija napolnjena med 30 % in 50 %.
- Izdelek, baterijo in polnilnik hranite v zaklenjenem prostoru, do katerega otroci in nepooblaščen osebe nimajo dostopa.
- Očistite izdelek in se prepričajte, da je zbiralnik za travo prazen.
- Vzdrževalna dela opravite tako, kot je navedeno v teh navodilih za uporabo. Glejte *Vzdrževanje na strani 607*.
- Če nameravate izdelek shraniti za dalj časa, najprej opravite popoln servis.

## Odlaganje

Simboli na izdelku ali njegovi embalaži opozarjajo, da izdelka ne smete obravnavati kot gospodinjstvega odpadka. Odnesti ga je treba v ustrezno zbirališče, kjer bodo poskrbeli za recikliranje električnih in elektronskih naprav.

Z zagotavljanjem pravilne obravnave izdelka boste pomagali preprečiti njegov morebiten škodljiv učinek na okolje in ljudi, do katerega bi lahko prišlo, kot posledica nepravilnega upravljanja z odpadki. Podrobnejše informacije o recikliranju tega izdelka lahko dobite v svoji občini, v komunalnem podjetju ali v trgovini, kjer ste ga kupili.



## Tehnični podatki

### Tehnični podatki

	LC 247i	LC 347iVX	LC 353iVX
<b>Motor rezalne enote</b>			
Tip motorja	BLDC (brezkrtačni enosmerni) 36 V	BLDC (brezkrtačni enosmerni) 36 V	BLDC (brezkrtačni enosmerni) 36 V
Št. vrt. motorja – SavE, vrt/min	2600/min	2600/min	2600/min
Št. vrt. motorja – nazivno, vrt/min	3000/min	3000/min	3000/min
Št. vrt. motorja – visoka obremenitev, vrt/min	3500/min	3500/min	3500/min
Najvišja izhodna moč motorja v kW	0,96	0,96	1,05
Nazivna izhodna moč motorja v kW	0,75	0,75	0,9
<b>Pogonski motor</b>			
Nazivna izhodna moč motorja v kW	Ni navedeno	0,25	0,25
Hitrost samohodnega pogona, km/h	Ni navedeno	3,0–4,5	3,0–4,5
Stopnje hitrosti	Ni navedeno	4	4
<b>Teža</b>			
Teža brez vreče (brez baterije), kg	24,5	26	28
Teža z vrečo (vklj. z 2 x Bli30), kg	30,5	32,0	34,5
<b>Akumulator</b>			
Vrsta baterije	Serija baterij Husqvarna		
<b>Avtonomija baterije</b>			
Avtonomija baterije, najkrajša, (prosto delovanje) z aktivirano funkcijo SavE, z eno baterijo Husqvarna z močjo 7,7 Ah (Bli30).	62	62	46
Avtonomija baterije, najkrajša, (prosto delovanje) z aktiviranim standardnim načinom, z eno baterijo Husqvarna moči 7,7 Ah (Bli30).	43	43	28
<b>Emisije hrupa<sup>94</sup></b>			
Raven zvočne moči, izmerjena v dB(A)	94	94	97
Raven zvočne moči, zajamčena L <sub>WA</sub> v dB(A)	95	95	98
<b>Nivoji hrupa<sup>95</sup></b>			
Nivo zvočnega tlaka pri ušesu operaterja, dB(A)	82	82	86

<sup>94</sup> Emisije hrupa v okolje, merjene kot moč zvoka (L<sub>WA</sub>), v skladu z direktivo ES 2000/14/ES.

<sup>95</sup> Dejavnik negotovosti (K) sporočenih podatkov za raven zvočnega tlaka je 1,5 dB(A).



	LC 247i	LC 347IVX	LC 353IVX
<b>Ravni vibracij</b> <sup>96</sup>			
Ročaj, m/s <sup>2</sup>	0,42	0,42	2,64
<b>Rezalna oprema</b>			
Višina reza v mm	20–75 mm	20–75 mm	20–75 mm
Širina reza v cm	47	47	53
Standardno rezilo	Za zbiranje 5905934-10	Za zbiranje 5905934-10	Za zbiranje 5940757-10
Dodatno rezilo	Mulčenje 5907010-10	Mulčenje 5907010-10	Mulčenje 5950072-10
Prostornina zbiralnika za travo, litri	55	55	60

<b>Podatki o radijski frekvenci za Bluetooth®</b>	LC 247i	LC 347IVX	LC 353IVX
Frekvenčni pas, GHz	Ni navedeno	2,4-2,4835	2,4-2,4835
Izhodna moč, najv. dBm	Ni navedeno	4	4

<b>Homologirane baterije</b>	<b>Vrsta</b>	<b>Zmogljivost baterije, Ah</b>	<b>Napetost, V</b>	<b>Teža, lb/kg</b>
BLi20	Litij-ionska	4,0	36	1,2/2,6
BLi30	Litij-ionska	7,7	36	4,2/1,9

<b>Odobreni polnilniki za določene baterije, BLi</b>	<b>Vhodna napetost, V</b>	<b>Frekvenca, Hz</b>	<b>Moč, W</b>
QC80	100–240	50–60	80
40-C80	100–240	50–60	68,8
QC250	100–240	50–60	250

<sup>96</sup> Dejavnik negotovosti (K) sporočenih podatkov za raven tresljajev je 1,5 m/s<sup>2</sup>. Navedena skupna vrednost tresljajev je bila izmerjena v skladu s prilogo B standarda EN 62841-4-3 ter se lahko uporablja za primerjavo dveh strojev in za predhodno oceno izpostavljenosti.

# Izjava o skladnosti

## Izjava EU o skladnosti

Mi, **Husqvarna AB**, SE--561 82 Huskvarna, Švedska,  
tel.: +46-36-146500, izjavljamo na lastno odgovornost,  
da je izdelek:

<b>Opis</b>	Vrtna kosilnica
<b>Znamka</b>	Husqvarna
<b>Vrsta/model</b>	LC 247i
<b>Identifikacija</b>	Serijske številke od letnika 2021 dalje

v celoti skladen z naslednjimi direktivami in uredbami  
EU:

Direktiva/uredba	Opis
2006/42/ES	»o strojih«
2014/30/EU	o elektromagnetni združljivosti
2000/14/ES	"o emisijah hrupa v okolico"
2011/65/EU	"o omejevanju uporabe nekaterih nevarnih snovi v električni in elektronski opremi"

in so pri tem v veljavi naslednji standardi in/ali  
tehnične specifikacije: EN 62841-1:2015+AC:2015, EN  
62841-4-3:2021+A11:2021, EN ISO 12100:2010, EN  
55014-1:2017+A11:2020, EN 55014-2:2015, EN IEC  
63000:2018.

Priglašeni organ: 0404, RISE SMP Svensk  
Maskinprovning AB, Box 7035, SE-750 07 Uppsala, je  
potrdil skladnost z direktivo Sveta 2000/14/ES, postopki  
ugotavljanja skladnosti: Priloga VI

Za informacije v zvezi z emisijami hrupa glejte poglavje  
*Tehnični podatki na strani 612.*

Huskvarna, 2021-12-01



Claes Losdal, Vodja oddelka za razvoj vrtno opreme,  
Husqvarna AB

Odgovorni za tehnično dokumentacijo



## Izjava EU o skladnosti

Mi, **Husqvarna AB**, SE--561 82 Huskvarna, Švedska, tel.: +46-36-146500, izjavljamo na lastno odgovornost, da je izdelek:

<b>Opis</b>	Vrtna kosilnica
<b>Znamka</b>	Husqvarna
<b>Vrsta/model</b>	LC 347iVX, LC 353iVX
<b>Identifikacija</b>	Serijske številke od letnika 2021-12-01 dalje

v celoti skladen z naslednjimi direktivami in uredbami EU:

Direktiva/uredba	Opis
2006/42/ES	»o strojih«
2014/53/EU	"v zvezi z radijsko opremo"
2000/14/ES	"o emisijah hrupa v okolico"
2011/65/EU	"o omejevanju uporabe nekaterih nevarnih snovi v električni in elektronski opremi"

in so pri tem v veljavi naslednji standardi in/ali tehnične specifikacije: EN 62841-1:2015+AC:2015, EN 62841-4-3:2021+A11:2021, EN ISO 12100:2010, EN 55014-1:2017+A11:2020, EN 55014-2:2015, EN IEC 63000:2018, EN ETSI 300 328 v.2.2.2, EN 50663: 2017, ETSI EN 301 489-1 V2.2.3, ETSI EN 301 489-17 V3.2.4.

Priglašeni organ: 0404, RISE SMP Svensk Maskinprovning AB, Box 7035, SE-750 07 Uppsala, je potrdil skladnost z direktivo Sveta 2000/14/ES, postopki ugotavljanja skladnosti: Priloga VI

Za informacije v zvezi z emisijami hrupa glejte poglavje *Tehnični podatki na strani 612*.

Huskvarna, 2021-12-01



Claes Losdal, Vodja oddelka za razvoj vrtno opreme, Husqvarna AB

Odgovorni za tehnično dokumentacijo



---

## Registrirane blagovne znamke

---

Besedna znamka in logotipi *Bluetooth®* so registrirane blagovne znamke v lasti *Bluetooth SIG, inc.* Vsaka uporaba teh oznak s strani Husqvarna je na podlagi licence.

---

## Sadržaj

---

Uvod.....	616	Rešavanje problema.....	633
Bezbednost.....	618	Transport, skladištenje i odlaganje.....	635
Sklapanje.....	624	Tehnički podaci.....	636
Rukovanje.....	625	Deklaracija o usaglašenosti.....	639
Održavanje.....	631	Registrovani žigovi.....	640

---

## Uvod

---

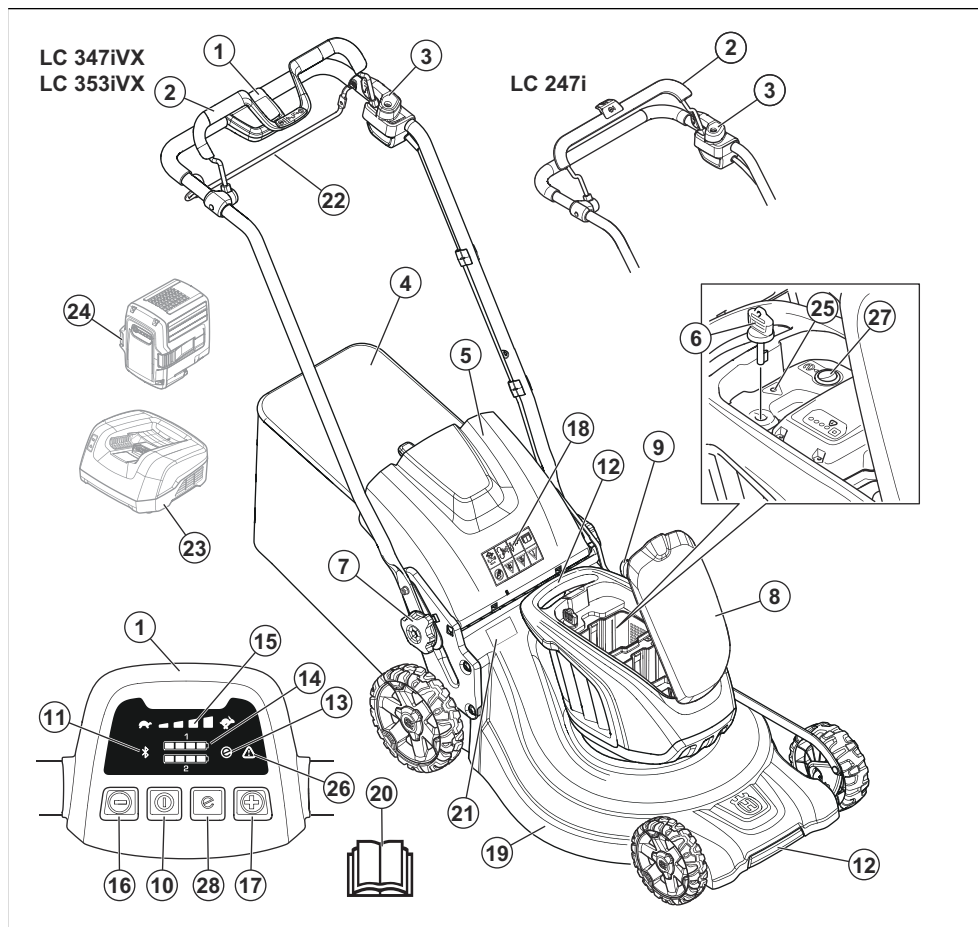
### Opis proizvoda

Proizvod je rotaciona kosačica koju kontroliše rukovalac. Trava se sakuplja u hvatač trave. Uklonite hvatač trave kako biste omogućili pražnjenje trave na zadnjoj strani. Postavite komplet za usitnjavanje (oprema) za košenje trave u đubrivo.

### Namena

Koristite proizvod za košenje trave. Nemojte koristiti proizvod za druge zadatke.

## Pregled proizvoda



- |   |  |
|---|--|
| 1. Kontrolna tabla (LC 347iVX, LC 353iVX)         | 16. Dugme za smanjenje brzine (LC 347iVX, LC 353iVX) |
| 2. Ručica kočnice motora                          | 17. Dugme za povećanje brzine (LC 347iVX, LC 353iVX) |
| 3. Inhibitor pokretanja                           | 18. Simboli  |
| 4. Hvatač trave                                   | 19. Poklopac košenja                                 |
| 5. Zadnji poklopac                                | 20. Korisničko uputstvo                              |
| 6. Bezbednosni ključ                              | 21. Nazivna pločica                                  |
| 7. Dugme ručice                                   | 22. Pritiskivač pogona (LC 347iVX, LC 353iVX)        |
| 8. Poklopac akumulatora                           | 23. Punjač akumulatora (oprema)                      |
| 9. Komanda visine košenja                         | 24. Akumulator (oprema)                              |
| 10. Dugme ON/OFF                                  | 25. LED lampica greške (LC 247i)                     |
| 11. Indikator za Bluetooth® bežičnu tehnologiju   | 26. LED lampica greške (LC 347iVX, LC 353iVX)        |
| 12. Ručke za podizanje                            | 27. Dugme SavE (LC 247i)                             |
| 13. Indikator SavE                                | 28. Dugme SavE (LC 347iVX, LC 353iVX)                |
| 14. Indikator akumulatora                         |  |
| 15. Indikator nivoa brzine (LC 347iVX, LC 353iVX) |  |

## Simboli na proizvodu



UPOZORENJE



Pročitajte uputstva.



UPOZORENJE – pazite se izbačenih predmeta.



Udaljite druga lica.



UPOZORENJE – udaljite šake i stopala od noževa.



UPOZORENJE – iskopčajte akumulator pre radova na održavanju.



Ovaj proizvod ili pakovanje ne treba tretirati kao kućni otpad. Reciklirajte ga na lokaciji za recikliranje električne i elektronske opreme.



Proizvod je usaglašen sa važećim EZ direktivama.



Nalepnica za emisiju buke u okruženje je u skladu sa direktivama i propisima EU i UK. Garantovani nivo zvučne snage za ovaj proizvod naveden je u *Tehnički podaci na stranici 636* i na nalepnici.

## IPX1

Proizvod ima zaštitu od kapanja.



Otpustite ručicu kočnice motora za zaustavljanje.



Kôd koji se može skenirati

**Napomena:** Ostali simboli/nalepnice koji su navedeni na proizvodu važe za specifične zahteve sertifikata na određenim tržištima.

## Nalepnica na proizvodu



OPASNOST – udaljite šake i stopala.

## Odgovornost za proizvod

Kako je izloženo u zakonima o odgovornosti za proizvode, mi nismo odgovorni za oštećenja prouzrokovana našim proizvodom u sledećim slučajevima:

- proizvod je popravljen na pogrešan način
- proizvod je popravljen korišćenjem delova koji nisu napravljeni ili odobreni od strane proizvođača
- proizvod ima opremu koja ne potiče ili nije odobrena od strane proizvođača
- proizvod nije popravljen u ovlašćenom servisnom centru ili od strane ovlašćenog stručnjaka

## Bezbednost

### Bezbednosne definicije

Upozorenja, mere opreza i napomene se koriste da ukažu na naročito važne delove korisničkog uputstva.



**UPOZORENJE:** Koristi se ako, usled nepoštovanja uputstava, postoji rizik od nastanka telesnih povreda ili smrti kod rukovaoca ili prisutnih osoba.



**OPREZ:** Koristi se ako, usled nepoštovanja uputstava, postoji rizik od nastanka oštećenja na proizvodu, drugim materijalima ili susednim oblastima.

**Napomena:** Koristi se za pružanje više informacija koje su neophodne u datoj situaciji.

## Opšta bezbednosna upozorenja za proizvod



**UPOZORENJE:** Pročitajte sva bezbednosna upozorenja, uputstva, ilustracije i specifikacije koje su obezbeđene uz ovaj proizvod. Nepridržavanje svih uputstava navedenih u nastavku može da dovede do strujnog udara, požara i/ili teških telesnih povreda.

Sačuvajte sva upozorenja i uputstva kao referencu za kasnije. Izraz „proizvod“ iz upozorenja odnosi se na proizvod koji se napaja preko električne mreže (putem kabla) ili akumulatora (bežično).

### Bezbednost u radnom području

- Držite radnu oblast čistom i dobro osvetljenom. U neurednim ili mračnim oblastima nezgode se češće dešavaju.
- Ne radite sa proizvodom u eksplozivnim okruženjima, npr. u prisustvu zapaljivih tečnosti, gasova ili prašine. Proizvod stvara iskre koje mogu da zapale prašinu ili isparenja.
- Deca i posmatrači treba da se udalje dok koristite proizvod. Skretanje pažnje može da dovede do toga da izgubite kontrolu.

### Električna bezbednost

- Utikači proizvoda moraju da odgovaraju utičnici. Nikad nemojte ni na koji način da modifikujete utikač. Nemojte da koristite adaptere pri radu sa uzemljenim proizvodom. Nemodifikovani utikači i odgovarajuće utičnice će smanjiti rizik od strujnog udara.
- Izbegavajte telesni kontakt sa uzemljenim površinama kao što su cevi, radijatori, šporeti i frižideri. Postoji povećani rizik od strujnog udara ukoliko je vaše telo uzemljeno.
- Nemojte izlagati proizvod kiši ili vlazi. Ako voda prodre u proizvod, povećaće se opasnost od strujnog udara.
- Nemojte nepropisno da postupate sa kablom. Ne koristite kabl za nošenje, vuču ili isključivanje proizvoda. Držite kabl dalje od izvora toplote, ulja, oštrih ivica i pokretnih delova. Oštećeni ili zamršeni kablovi povećavaju rizik od strujnog udara.
- Kad koristite proizvod na otvorenom, koristite produžni kabl koji je pogodan za upotrebu na otvorenom. Korišćenje kabla koji je pogodan za

upotrebu na otvorenom smanjuje rizik od strujnog udara.

- Ako ne može da se izbegne korišćenje proizvoda na vlažnom mestu, koristite napajanje preko zaštitnog uređaja diferencijalne struje (RCD). Upotreba zaštitnog uređaja diferencijalne struje (RCD) smanjuje opasnost od strujnog udara.

### Lična bezbednost

- Budite na oprezu, ne skrećite pogled sa onoga što radite i rukujte proizvodom zdravorazumski. Nemojte da koristite proizvod ako ste umorni ili pod dejstvom droge, alkohola ili lekova. Trenutak nepažnje prilikom korišćenja proizvoda može da dovede do teških telesnih povreda.
- Koristite ličnu zaštitnu opremu. Uvek nosite zaštitu za oči. Zaštitna oprema poput zaštitne maske od prašine, sigurnosnih neklizajućih cipela, kacige ili zaštitne za sluh koja se koristi u odgovarajućim uslovima smanjuje telesne povrede.
- Sprečite slučajno pokretanje. Uverite se da je prekidač u isključenom položaju pre priključivanja na izvor napajanja i/ili prenosivi punjač akumulatora, podizanja ili nošenja proizvoda. Nošenje proizvoda sa prstom na prekidaču ili napajanje proizvoda sa prekidačem u položaju za uključenje može da dovede do nezgode.
- Uklonite ključ za podešavanje ili francuski ključ pre uključivanja proizvoda. Francuski ključ ili ključ koji ostanu pričvršćeni za obrtni deo proizvoda mogu da dovedu do telesne povrede.
- Nemojte se preterano naginjati. Uvek budite oslonjeni na obe noge i pazite na ravnotežu. To će vam omogućiti bolju kontrolu nad proizvodom u nepredviđenim situacijama.
- Budite propisno odeveni. Nemojte da nosite nakit ili široku odeću. Vodite računa da vam kosa i odeća ne dođu u dodir sa pokretnim delovima. Pokretni delovi mogu da zakače široku odeću, nakit ili dugu kosu.
- Ukoliko su obezbeđeni uređaji za povezivanje aparata za izbacivanje ili sakupljanje prašine, proverite da li su povezani i da li se pravilno koriste. Korišćenje aparata za prikupljanje prašine može da smanji broj kvarova koji su nastali usled prašine.
- Nemojte dozvoliti da vam iskustvo koje ste stekli kroz čestu upotrebu proizvoda stvori osećaj samopouzdanja i da se ne pridržavate principa u vezi sa bezbednošću. Nemarna radnja može da izazove teške povrede u deliću sekunde.

### Upotreba i održavanje proizvoda

- Ne silite proizvod. Koristite proizvod koji odgovara nameni. Adekvatan proizvod će bolje i sigurnije obaviti posao u meri za koju je napravljen.
- Ne koristite proizvod ako ga prekidač ne uključuje ili ne isključuje. Svaki proizvod koji ne može da se kontroliše putem prekidača je opasan i mora da se popravi.
- Isključite utikač iz izvora električne energije i/ili uklonite akumulator, ako se može odvojiti,

sa proizvoda pre nego što pristupite bilo kakvom podešavanju, promeni dodatne opreme ili skladištenju proizvoda. Takve bezbednosne preventivne mere smanjuju rizik od slučajnog uključivanja proizvoda.

- **Proizvod koji se ne koristi čuvajte dalje od dohvata dece i nemojte da dozvoljavate rad sa ovim osobama koje nisu upoznate na njih ili njihovim uputstvima.** Proizvod je opasan kada njime rukuju neobučeni korisnici.
- **Održavajte proizvode i dodatke. Proverite da li su pokretni i vezni delovi pravilno postavljeni, da li postoje pukotine na delovima i sva druga stanja koja mogu uticati na rad proizvoda. Ukoliko je oštećen, proizvod odnesite na popravku pre korišćenja.** Mnoge nezgode su prouzrokovali loše održavani proizvodi.
- **Održavajte alat za sečenje oštirim i čistim.** Alat za sečenje koji se pravilno održava i ima oštre rezne vrhove se ređe krivi i lakše kontroliše.
- **Proizvod, pribor, delove alata itd. koristite u skladu sa ovim uputstvima uzimajući u obzir radne uslove i posao koji treba da se obavi.** Korišćenje proizvoda za operacije za koje nije namenjen može da dovede do opasnih situacija.
- **Ručke i prihvatne površine bi trebalo da budu suve, čiste i bez ostatka ulja i maziva.** Klizave ručke i prihvatne površine ne omogućavaju bezbedno rukovanje i kontrolu proizvoda u neočekivanim situacijama.

## Usluga

- **Servisiranje proizvoda poverite kvalifikovanom serviseru koji isključivo koristi iste rezervne delove.** Tako ćete biti sigurni u očuvanje bezbednosti proizvoda.
- **Nikad ne servisirajte oštećene akumulatore.** Servisiranje akumulatora treba da vrše samo proizvođači ili ovlašćeni serviseri.

## Upotreba i održavanje akumulatorskog alata

- **Punite samo punjačem koji je naznačen od strane proizvođača.** Punjač koji je odgovarajući za jedan tip akumulatora može stvoriti rizik od požara kada se koristi sa drugim akumulatorom.
- **Koristite proizvode samo sa posebnom naznačenim akumulatorima.** Korišćenje drugih akumulatora može stvoriti rizik od telesne povrede i požara.
- **Kad se akumulator ne koristi držite ga dalje od metalnih predmeta, kao što su spajalice, novčići, ključevi, ekseri, zavrtnji ili slični mali metalni predmeti koji mogu da naprave spoj između polova akumulatora.** Kratko spajanje polova akumulatora može da izazove opekotine ili požar.
- **U opasnim uslovima, tečnost može da prsne iz akumulatora; izbegavajte kontakt. Ako do kontakta slučajno dođe, isperite to mesto vodom. Ako tečnost dođe u kontakt sa očima, dodatno potražite lekarsku pomoć.** Tečnost koja prsne iz akumulatora može da prouzrokuje iritaciju ili opekotine.

- **Ne koristite akumulatore i uređaje koji su oštećeni ili modifikovani.** Oštećeni ili modifikovani akumulatori mogu biti nepredvidivi što može dovesti do vatre, eksplozije ili rizika od povrede.
- **Akumulator ili uređaj nemojte da izlažete vatri ili previsokoj temperaturi.** Izlaganje vatri ili temperaturi iznad 130 °C / 265 °F može dovesti do eksplozije.
- **Pridržavajte se svih uputstava za punjenje i nemojte da puniti akumulator ili uređaj izvan opsega temperature koji je naveden u uputstvima.** Nepravilno punjenje ili temperature izvan navedenog opsega mogu oštetiti akumulator i povećati rizik od požara.

## Bezbednosna upozorenja za kosačicu

- **Nemojte koristiti kosačicu po lošim vremenskim uslovima, naročito kada postoji opasnost od grmljavine.** Time se smanjuje rizik od udara groma.
- **Proverite ima li životinja na prostoru u kom će se kosačica koristiti.** Kosačica može da povredi životinje tokom rada.
- **Pažljivo pregledajte oblast u kojoj će se kosačica koristiti i uklonite sve kamenje, grane, žice, kosti i ostale strane predmete.** Izbačeni predmeti mogu da nanesu telesne povrede.
- **Pre korišćenja kosačice, uvek vizuelno proverite nožve i sklop noževa da biste videli jesu li pohabani ili oštećeni.** Pohabani i oštećeni delovi povećavaju rizik od povrede.
- **Pre korišćenja, proverite ima li na kablju za napajanje i/ili produžnom kablju znakova oštećenosti ili istrošenosti. Ne koristite kosačicu ako je kabl oštećen ili pohaban. Ako se kabl ošteti ili pohaba tokom upotrebe, isključite kosačicu i ne dodirujte kabl pre nego što ga isključite iz napajanja.** Oštećen kabl napajanja može da dovede do strujnog udara, požara i/ili teških povreda.
- **Često proveravajte da li je sakupljač trave pohaban ili istrošen.** Pohaban ili oštećen hvatač trave povećava rizik od povrede.
- **Vodite računa da štitnici budu postavljeni. Štitnici moraju biti u radnom stanju i propisno postavljeni.** Štitnik koji je labav, oštećen ili ne funkcioniše ispravno može dovesti do povrede.
- **Održavajte sve ulaze vazduha za hlađenje čistim od otpadaka.** Blokiranje ulaza, vazduha i otpaci mogu da izazovu prekomerno zagrevanje ili rizik od požara.
- **Dok rukujete kosačicom, uvek nosite neklizajuću i zaštitnu obuću. Ne rukujte kosačicom bosi ili u otvorenim sandalima.** Time se smanjuje mogućnost povrede stopala usled kontakta sa nožem koji se okreće.
- **Dok rukujete kosačicom, uvek nosite duge nogavice.** Izložena koža povećava verovatnoću povrede izbačenim predmetima.
- **Ne koristite kosačicu u mroknoj travi. Hodajte, ne trčite.** Time se smanjuje rizik od klizanja i pada koji može da dovede do povrede.



- **Nemojte rukovati kosačicom na previše strmim nagibima.** Tako ćete smanjiti rizik od gubitka kontrole, klizanja i pada koji može da dovede do povrede.
- **Prilikom rada na nagibima, uvek obezbedite dobar oslonac stopala, uvek radite koso preko nagiba, nikada nagore ili nadole i budite naročito pažljivi kad se okrećete.** Tako ćete smanjiti rizik od gubitka kontrole, klizanja i pada koji može da dovede do povrede.
- **Vodite računa kad se krećete unazad ili vučete kosačicu ka sebi. Uvek vodite računa o okruženju.** Tako se smanjuje rizik od saplitanja tokom rada.
- **Ne dozvolite da kabl dospe u blizinu noževa.** Oštećen kabl napajanja može da dovede do strujnog udara, požara i/ili teških povreda.
- **Isključite i odvojite utikač iz utičnice ako je kabl oštećen ili zapetljan.** Zapleten ili oštećen kabl povećava rizik od strujnog udara.
- **Ne dodirujte noževe i ostale opasne pokretne delove sve dok se kreću.** Time se smanjuje rizik od povrede pokretnim delovima.
- **Prilikom uklanjanja zaglavljenog materijala ili čišćenja kosačice, uverite se da su svi prekidači za pokretanje isključeni i da je kabl za napajanje odvojen.** Neočekivan rad kosačice može da dovede do teških telesnih povreda.

### Zaštitni uređaj diferencijalne struje

- Koristite zaštitni uređaj diferencijalne struje sa prekidnom strujom ne većom od 30 mA.

### Opšta bezbednosna uputstva



**UPOZORENJE:** Pročitajte upozoravajuća uputstva koja slede pre korišćenja proizvoda.

- Proizvod je opasan ako se koristi na nepravilan način ili ako niste oprezni. Može doći do telesne povrede ili smrti ako se ne pridržavate bezbednosnih uputstava.
- Ovaj proizvod pri radu stvara elektromagnetno polje. Ovo polje u određenim uslovima može da izazove smetnje na aktivnim i pasivnim medicinskim implantatima. U cilju smanjenja rizika od uslova nastanka teških ili smrtnih telesnih povreda, preporučujemo osobama koje imaju medicinske implantate da se pre upotrebe ovog proizvoda konsultuju sa lekarom ili proizvođačem implantata.
- Uvek budite pažljivi i koristite zdrav razum. Ako niste sigurni kako da rukujete proizvodom u određenoj situaciji, prekinite rad i obratite se Husqvarna prodavcu pre nastavka rada.
- Ne zaboravite da će rukovalac biti odgovoran za nezgode u kojima su učestvovala druga lica i njihova svojina.
- Održavajte proizvod čistim. Pobrinite se da jasno možete pročitati znakove i nalepnice.
- Nikada nemojte dozvoliti deci ili osobama koje nisu pročitale ova uputstva da koriste uređaj. Uzrast rukovaoca je možda ograničen lokalnim propisima.
- Uvek nadzirite osobu sa smanjenim fizičkim ili mentalnim sposobnostima koja koristi proizvod. Odgovorna odrasla osoba mora biti prisutna sve vreme.
- Nemojte da koristite proizvod kada ste umorni, bolesni ili pod uticajem alkohola, droge ili lekova. To ima negativan uticaj na vašu moć vida, opreznost, koordinaciju i rasuđivanje.
- Nemojte da koristite proizvod ako je pokvaren.
- Nemojte vršiti izmene na proizvodu i nemojte koristiti proizvod ako postoji mogućnost da su druge osobe vršile izmene na njemu.
- Koristite ovaj proizvod samo za košenje travnjaka. Nije dozvoljeno njegovo korišćenje za druge zadatke.
- Koristite ličnu zaštitnu opremu. Pogledajte *Lična zaštitna oprema na stranici 622*
- Naučite kako da brzo zaustavite motor u slučaju opasnosti.
- Nemojte raditi sa proizvodom po kiši ili u vlažnim uslovima. Opasnost od strujnog udara se povećava ako voda prodre u proizvod.
- Nemojte raditi sa proizvodom ako sečivo i svi poklopci nisu pravilno postavljeni. Nepravilno postavljeno sečivo se može otkaçiti i prouzrokovati telesnu povredu.
- Pobrinite se da sečivo ne udara o predmete kao što su kamenje ili korenje. To može dovesti do oštećenja sečiva i savijanja osovine motora. Savijena osovina proizvodi velike vibracije i postoji povećana opasnost da se sečivo olabavi.
- Ako sečivo udari o predmet ili ako se pojave vibracije, odmah zaustavite proizvod. Zaustavite motor, okrenite bezbednosni ključ u položaj 0 i uklonite akumulator. Sačekajte da se pokretni delovi zaustave. Pregledajte proizvod u pogledu oštećenja. Pritegnite labave delove. Opravite oštećenja, zamenite oštećene delove. Neka odobreni serviser obavi popravku.
- Nikada nemojte postavljati ručicu kočnice motora trajno na ručku kada je motor pokrenut.
- Postavite proizvod na stabilnu, ravnu površinu i pokrenite ga. Vodite računa da sečivo ne dodiruje tlo ili druge predmete.
- Uvek stojte iza proizvoda kada radite sa njim.
- Vodite računa da svi točkici ostanu na tlu i držite dve ruke na ručki kada rukujete proizvodom. Udaljite šake i stopala od rotirajućih noževa.

### Bezbednost na radu



**UPOZORENJE:** Pročitajte upozoravajuća uputstva koja slede pre korišćenja proizvoda.

- Ne naginjte proizvod pri pokretanju motora i tokom rada.
- Budite pažljivi kada povlačite proizvod unazad.
- Nikada nemojte podizati proizvod kada je motor pokrenut. Ako morate podići proizvod, prvo zaustavite motor, okrenite bezbednosni ključ u položaj 0 i uklonite akumulator.
- Nemojte hodati unazad kada radite sa proizvodom.
- Zaustavite motor ako treba nagnuti ili preneti proizvod ili preko područja bez trave, na primer, stazica napravljenih od šljunka, kamena i asfalta.
- Nemojte trčati sa proizvodom kada je motor pokrenut. Uvek hodajte kada radite sa proizvodom.
- Zaustavite motor pre nego što promenite visinu košenja. Nikada nemojte da vršite podešavanja dok je motor pokrenut.
- Nikada nemojte dozvoliti da proizvod ostane bez nadzora dok je motor pokrenut. Zaustavite motor i uverite se da se oprema za košenje ne okreće.
- Vibracije tokom rada mogu da se razlikuju od vrednosti koju navodi *Tehnički podaci na stranici 636*. Odstupanje izazivaju razlike u načinu korišćenja proizvoda. Ako proizvod koristite često ili dugo, redovno pauzirajte da biste sprečili nastanak povreda od vibracija.

## Bezbednosna uputstva za rad

### Lična zaštitna oprema



**UPOZORENJE:** Pročitajte upozoravajuća uputstva koja slede pre korišćenja proizvoda.

- Lična zaštitna oprema ne može da u potpunosti spreči telesnu povredu, ali ona umanjuje stepen telesne povrede ako dođe do nesrećnog slučaja. Neka vam vaš prodavac pomogne u izboru odgovarajuće opreme.
- Nosite čvrste nekližuće cizme ili cipele. Nemojte nositi obuću sa otvorenim prstima ili ići bosonogi.
- Uvek nosite duge pantalone od čvrstog materijala.
- Nosite zaštitne rukavice po potrebi, na primer, kada pričvršćujete, pregledate ili čistite opremu za košenje.
- Preporučujemo da koristite zaštitu za sluh.

### Bezbednosni uređaji na proizvodu



**UPOZORENJE:** Pročitajte upozoravajuća uputstva koja slede pre korišćenja proizvoda.

- Nemojte koristiti proizvod na kojem su oštećeni bezbednosni uređaji.
- Ne uklanjajte i ne prepravljajte bezbednosne uređaje.

- Redovno proveravajte bezbednosne uređaje. Ako su bezbednosni uređaji neispravni, obratite se svom Husqvarna servisnom agentu.

### Provera poklopca mehanizma za košenje

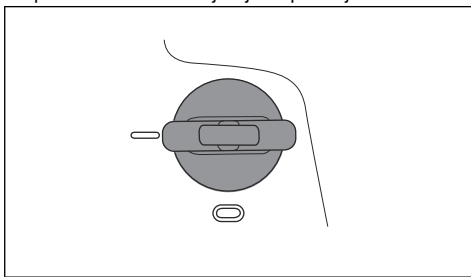
Poklopac mehanizma za košenje smanjuje vibracije u proizvodu, kao i rizik od povrede nožem.

- Pregledajte poklopac košenja kako biste se uverili da nema oštećenja kao što su naprsline.

### Provera bezbednosnog ključa

Bezbednosni ključ se nalazi ispod poklopca akumulatora. Bezbednosni ključ povezuje akumulator koji snabdeva motor napajanjem.

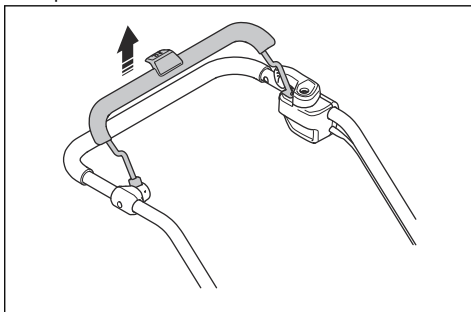
- Pokrenite i zaustavite motor da biste izvršili proveru bezbednosnog ključa.
- Ako bezbednosni ključ ispravno radi, motor se može pokrenuti samo kada je ključ u položaju 1.



### Provera ručice kočnice motora

Ručica kočnice motora zaustavlja motor. Kada je ručica kočnice motora otpuštena, motor se zaustavlja.

- Pokrenite proizvod. Pogledajte *Rukovanje na stranici 625*
- Otpustite ručicu kočnice motora.

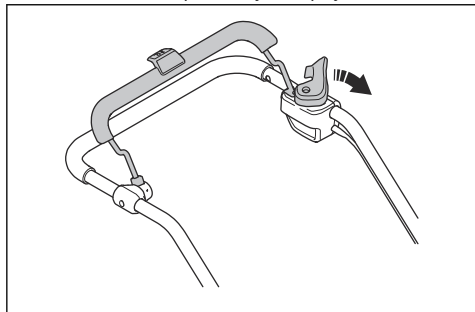


- Uverite se da se proizvod zaustavlja. Ako se motor ne zaustavi u roku od 3 sekunde, neka ovlašćeni Husqvarna servisni agent izvrši podešavanje kočnice motora.

## Provera inhibitora pokretanja

Izvršite proveru inhibitora pokretanja kako biste se uverili da sprečava rad motora.

1. Pritisnite ručicu kočnice motora u smeru upravljača. Inhibitor pokretanja zaustavlja kretanje.
2. Pritisnite inhibitor pokretanja ka spolja.



3. Otpustite inhibitor pokretanja i uverite se da se vraća u početni položaj.

## Bezbedna upotreba akumulatora



**UPOZORENJE:** Pročitajte upozoravajuća uputstva koja slede pre korišćenja proizvoda.

- Koristite Husqvarna punjive akumulatora kao izvor napajanja samo za odgovarajuće Husqvarna proizvode. Kako bi se sprečila telesna povreda, nemojte koristiti akumulator kao izvor napajanja za druge uređaje.
- Ne koristite akumulatora za jednokratnu upotrebu.
- Opasnost od strujnog udara. Nemojte povezivati terminale akumulatora na ključeve, kovanice, vijke ili druge metalne predmete. To može dovesti do kratkog spoja akumulatora.
- Nemojte stavljati predmete u proreze za vazduh akumulatora.
- Držite akumulator tako da ne bude izložen sunčevoj svetlosti, toploti ili otvorenom plamenu. Akumulator može da eksplodira i izazove opekotine i/ili hemijske opekotine.
- Držite akumulator tako da ne bude izložen kiši i vlažnim uslovima.
- Držite akumulator dalje od mikrotalasnih pećnica i visokog pritiska.
- Nemojte pokušavati da rastavite ili lomite akumulator.
- Ako akumulator curi, ne dozvolite da vam ta tečnost dospe na kožu ili u oči. Ako ste dodirnuli tečnost, isperite površinu velikom količinom vode i obratite se doktoru.
- Akumulator u proizvodu koristite samo kad je temperatura sredine između 5 °C i 40 °C.

- Punjač akumulatora koristite samo kad je temperatura sredine između 5 °C i 40 °C.
- Akumulator se neće puniti ako mu je temperatura veća od 50 °C.
- Nemojte čistiti akumulator ili punjač akumulatora vodom. Pogledajte *Čišćenje akumulatora i punjača akumulatora na stranici 632*
- Nemojte koristiti defektan ili oštećen akumulator.
- Držite akumulatora uskladištene tako da budu udaljeni od metalnih predmeta kao što su ekseri, kovanice, nakit.

## Bezbedna upotreba punjača akumulatora



**UPOZORENJE:** Pročitajte upozoravajuća uputstva koja slede pre korišćenja proizvoda.

- Koristite QC punjače akumulatora samo za punjenje Husqvarna zamenskih akumulatora.
- Opasnost od strujnog udara ili kratkog spoja. Nemojte stavljati predmete u proreze za vazduh punjača. Nemojte pokušavati da rasklopate punjač akumulatora. Nemojte povezivati terminale punjača na metalne predmete. Koristite odobrenu mrežnu utičnicu.
- Ovaj proizvod pri radu stvara elektromagnetno polje. Ovo polje u određenim uslovima može da izazove smetnje na aktivnim i pasivnim medicinskim implantatima. U cilju smanjenja rizika od uslova od nastanka teških ili smrtnih povreda, preporučujemo osobama koje imaju medicinske implante da se pre upotrebe ovog uređaja konsultuju sa lekarom ili proizvođačem implanta.
- Redovno proveravajte da kabl za napajanje punjača akumulatora nije oštećen i da na njemu ne postoje naprsline.
- Nemojte podizati punjač akumulatora za kabl za napajanje. Da biste iskopčali punjač akumulatora sa mrežne utičnice, povucite utikač. Ne vucite kabl za napajanje.
- Držite kabl za napajanje i produžni kabl dalje od vode, ulja i oštih ivica. Uverite se da kabl nije priklješten vratima, ogradom ili sličnim stvarima. Time punjač može da dođe pod napon.
- Nemojte čistiti punjač akumulatora vodom.
- Punjač akumulatora mogu koristiti deca uzrasta 8 godina i starija i osobe sa smanjenim fizičkim, senzornim ili mentalnim sposobnostima ili nedostatkom iskustva i znanja ako su pod nadzorom ili su upućeni u pogledu korišćenja punjača akumulatora na bezbedan način i razumeju povezanu opasnost. Deca ne smeju da se igraju sa punjačem akumulatora. Deca ne smeju da čiste i održavaju uređaj bez nadzora.
- Nemojte puniti akumulatora koji se ne pune u punjaču akumulatora.
- Nemojte koristiti punjač akumulatora u blizini zapaljivih materijala ili materijala koji mogu

da izazovu koroziju. Nemojte pokrivati punjač akumulatora. Izvucite utikač kabla iz punjača akumulatora ako se pojave dim ili vatra.

- Nemojte koristiti defektan ili oštećen punjač akumulatora.
- Akumulator puniti samo u zatvorenom prostoru u prostoriji sa dobrom ventilacijom i podalje od sunčeve svetlosti. Nemojte puniti akumulator u vlažnim uslovima.

## Bezbednosna uputstva za održavanje



**UPOZORENJE:** Pročitajte upozoravajuća uputstva koja slede pre korišćenja proizvoda.

- Kako biste sprečili slučajno pokretanje tokom održavanja, okrenite bezbednosni ključ u položaj 0 i uklonite akumulator. Sačekajte najmanje 5 sekundi pre nego što počnete da vršite održavanje.
- Vršite samo one radove na održavanju proizvoda koji su navedeni u ovom korisničkom uputstvu. Svaki veći zahvat i profesionalne popravke mora da izvrši ovlašćeni servis. Obratite se najbližem servisnom agentu za više informacija.

- Pravilno vršite rad na održavanju kako biste povećali radni vek proizvoda i smanjili rizik od nesrećnih slučajeva.
- Zamenite oštećene, pohabane ili pokvarene delove. Uvek koristite originalne rezervne delove proizvođača. Ostali rezervni delovi mogu da oštete proizvod i povećavaju rizik od nezgoda.
- Da biste sprečili povrede, ne uklanjajte i ne prepravljajte bezbednosne uređaje.
- Nosite čvrste rukavice kada koristite opremu za košenje. Sečivo je veoma oštro i lako dolazi do posekotina.
- Održavajte rezne ivice oštirim i čistim kako biste dobili najbolje i najbezbednije performanse.
- Neka servisni agent redovno proverava proizvod i vrši potrebna podešavanja i popravke.
- Pridržavajte se uputstava za zamenu opreme. Koristite samo opremu od proizvođača.
- Kada se ne koriste, čuvajte proizvod, akumulator i punjač akumulatora odvojeno na suvom i zaključanom zatvorenom mestu. Pobrinite se da deca i neovlašćene osobe ne mogu imati pristup proizvodu, akumulatoru ili punjaču akumulatora.

## Skapanje

### Uvod

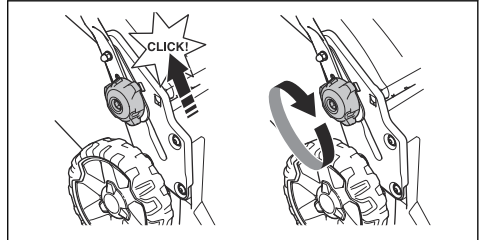


**UPOZORENJE:** Pre skapanja proizvoda, pročitajte poglavlje o bezbednosti.



**UPOZORENJE:** Kako biste sprečili slučajno pokretanje tokom skapanja, okrenite bezbednosni ključ u položaj 0, uklonite akumulator i sačekajte najmanje 5 sekundi.

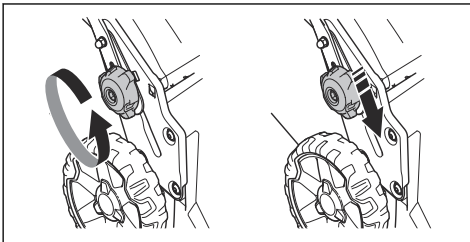
4. Pomerite dugmad nagore u smeru ručke dok se ne zaustave i ne čujete klik zvuk.



5. Potpuno zategnite dugmad.

### Podešavanje ručke

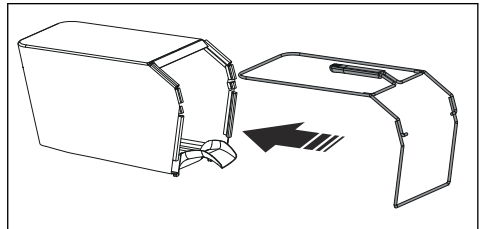
1. Olabavite donju dugmad.
2. Pomerite dugmad u donji kraj žlebova na levoj i desnoj strani proizvoda.



3. Stavite ručku u jedan od 2 položaja za visinu.

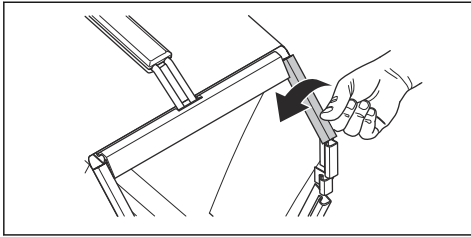
### Skapanje hvatača trave

1. Postavite ram hvatača trave na vreću za travu tako da krut deo vreće bude na dnu. Ručica rama treba da bude na vrhu vreće za travu.



2. Postavite donji deo rama hvatača trave u žleb na dnu hvatača trave.

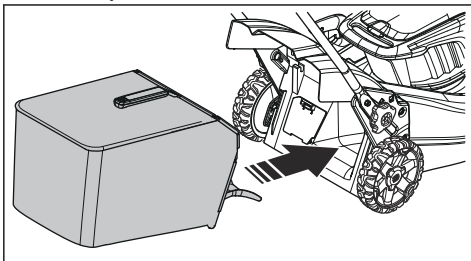
3. Pričvrstite okvir vreće za travu spojnicama.



4. Podignite zadnji poklopac.

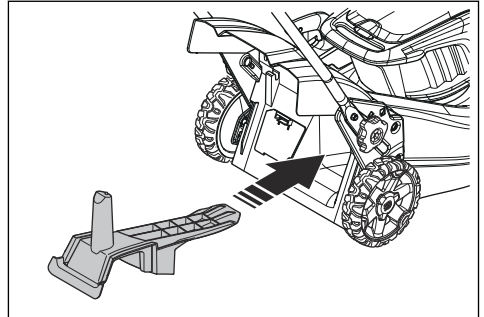
5. Pričvrstite hvatač trave na gornju ivicu šasije.

6. Stavite donji deo hvatača trave u kanal sa izbacivanjem trave.



## Postavljanje zatvarača za usitnjavanje (dodatak)

1. Podignite zadnji poklopac i uklonite hvatač trave.
2. Postavite zatvarač za usitnjavanje u kanal za izbacivanje trave.



3. Zamenite nož nožem za usitnjavanje iz kompleta za usitnjavanje. Pogledajte *Zamena sečiva na stranici 632*.

## Rukovanje

### Uvod



**UPOZORENJE:** Pre rada sa proizvodom, morate pročitati i razumeti poglavlje o bezbednosti.

### Husqvarna Connect

Husqvarna Connect je besplatna aplikacija za mobilne uređaje. Aplikacija Husqvarna Connect pruža proširene funkcije za proizvod Husqvarna:

- Dodatne informacije o proizvodu.
- Informacije o delovima proizvoda i servisiranju i pomoći u vezi s njima.

### Početak upotrebe Husqvarna Connect

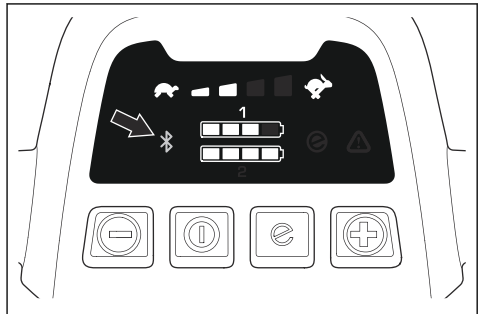
1. Preuzmite aplikaciju Husqvarna Connect na svoj mobilni uređaj.
2. Registrujte se u aplikaciji Husqvarna Connect.
3. Pratite uputstva u aplikaciji Husqvarna Connect da biste se povezali i registrovali proizvod.

**Napomena:** Aplikacija Husqvarna Connect nije dostupna na svim tržištima. Obratite se serviseru za više informacija.

### Bluetooth® informacija (LC 347iVX, LC 353iVX)

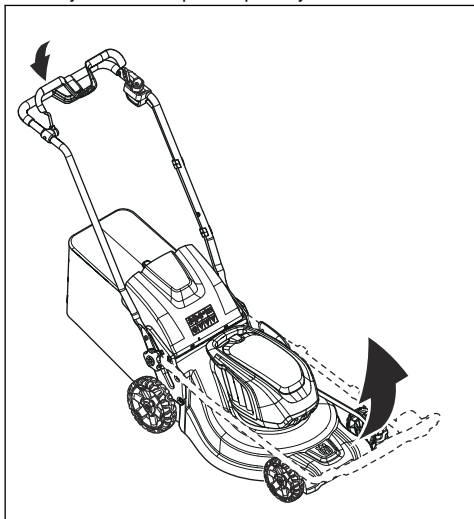
#### Bluetooth® bežična tehnologija

Simbol za *Bluetooth®* bežičnu tehnologiju se pojavljuje kada je vaš mobilni uređaj povezan na proizvod.

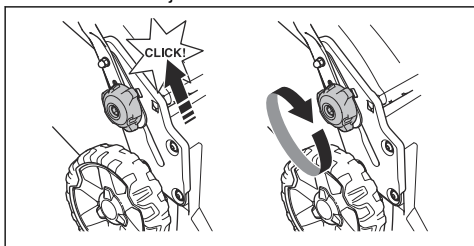


## Stavljanje proizvoda u položaj za rad

1. Savijte ručku u uspravan položaj.



2. Pomerite dugmad nagore u smeru ručke dok se ne zaustave i ne čujete klik zvuk.



3. Potpuno zategnite dugmad.



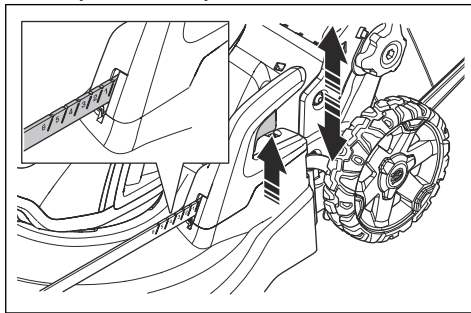
**UPOZORENJE:** Ne koristite proizvod ako ručka nije potpuno otvorena i postavljena u jedan od datih položaja za visinu. Pogledajte *Podešavanje ručke na stranici 624*.

## Podešavanje visine košenja

Visina košenja se može podesiti u 6 nivoa.

1. Pomerite ručicu visine košenja nadole da biste smanjili visinu košenja.

2. Pomerite ručicu visine košenja nagore da biste smanjili visinu košenja.



**OPREZ:** Nemojte postavljati visinu košenja suviše nisko. Sečiva mogu da udare o tlo ako površina travnjaka nije ujednačena.

## Akumulator



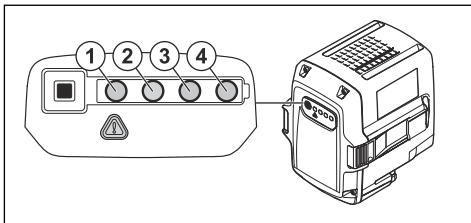
**UPOZORENJE:** Pre korišćenja akumulatora, morate pročitati i razumeti poglavlje o bezbednosti. Takođe morate pročitati i razumeti korisničko uputstvo za akumulator i punjač akumulatora.

Akumulator i punjač akumulatora čuvajte na odgovarajućoj temperaturi.

	Temperatura sredine
Radni opseg akumulatora	5 °C – 40 °C
Punjenje akumulatora	5 °C – 40 °C

## Status akumulatora

Displej prikazuje preostali kapacitet akumulatora kao i da li postoje problemi sa akumulatorom. Kapacitet akumulatora se prikazuje 5 sekundi nakon isključivanja proizvoda ili pritiska na dugme indikatora akumulatora. Simbol upozorenja na akumulatoru se prikazuje kada je došlo do greške. Pogledajte *Akumulator na stranici 633*.



LED lampice	Status akumulatora
Sve LED lampice svetle	Potpuno napunjeno (75-100%)
LED br. 1, LED br. 2, LED br. 3 svetle	Akumulator je 50%-75% napunjen
LED br. 1, LED br. 2 svetle	Akumulator je 25%-50% napunjen
LED br. 1 svetli	Akumulator je 0%-25% napunjen.
LED br. 1 trepće	Akumulator je prazan. Napunite akumulator.

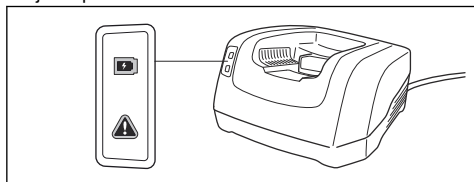
## Punjenje akumulatora

Napunite akumulator pre prvog korišćenja. Akumulator je samo 30% napunjen prilikom isporuke kupcu.

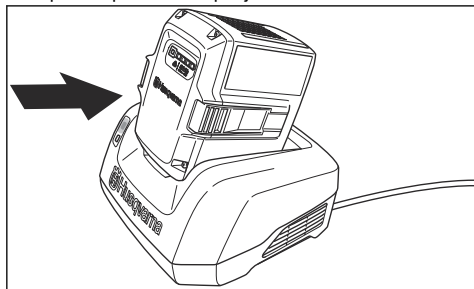
**Napomena:** Punjač akumulatora je potrebno povezati na napon i frekvenciju navedenu na nazivnoj pločici.

Akumulator se ne puni ako je temperatura akumulatora iznad 50 °C. Punjač akumulatora smanjuje temperaturu akumulatora pre početka punjenja.

1. Povežite jedan kraj kabla za napajanje za punjač akumulatora u utičnicu punjača akumulatora.
2. Povežite drugi kraj kabla za napajanje za punjač akumulatora u uzemljenu mrežnu utičnicu. LED lampica na punjaču akumulatora trepće zeleno jedanput.



3. Stavite akumulator u punjač akumulatora. Zelena lampica na punjaču svetli kada je akumulator ispravno povezan na punjač akumulatora.



4. Akumulator je potpuno napunjen kada na njemu svetle sve LED lampice. Punite akumulator najviše 24 sata.
5. Da biste iskopčali punjač akumulatora iz mrežne utičnice, povucite utikač, a ne kabl za napajanje.
6. Izvadite akumulator iz punjača akumulatora.

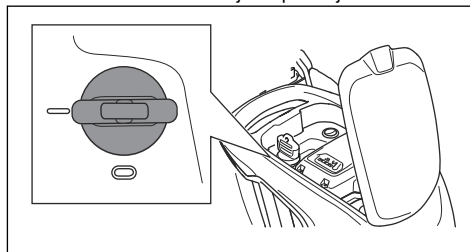
## Status punjenja akumulatora

Husqvarna litijum-jonski akumulator se može puniti ili koristiti na svim nivoima punjenja. Akumulator nije oštećen. Potpuno napunjen akumulator neće smanjiti punjenje kada je akumulator ostavljen na punjaču.

LED displej	Status punjenja
LED br. 1 trepće	0%-25%
LED br. 1 svetli, LED br. 2 trepće	25%-50%
LED br. 1, LED br. 2 svetle, LED br. 3 trepće	50%-75%
LED br. 1, LED br. 2, LED br. 3 svetle, LED br. 4 trepće	75%-100%
LED br. 1, LED br. 2, LED br. 3, LED br. 4 svetle	Potpuno napunjeno

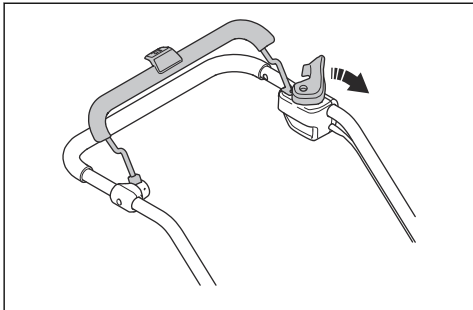
## Pokretanje proizvoda (LC 247i)

1. Otvorite poklopac akumulatora.
2. Stavite napunjen akumulator u 1 od odeljaka za akumulator. Za duže vreme rada, stavite drugi napunjen akumulator u drugi odeljak za akumulator.
3. Okrenite bezbednosni ključ u položaj 1.

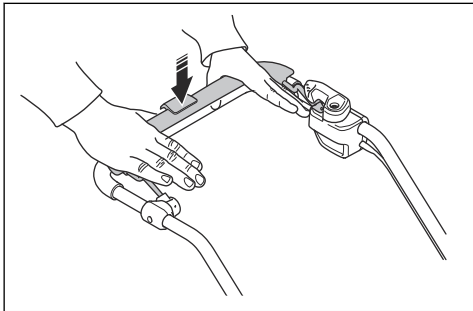


4. Stanite iza proizvoda.

5. Olabavite inhibitor pokretanja.

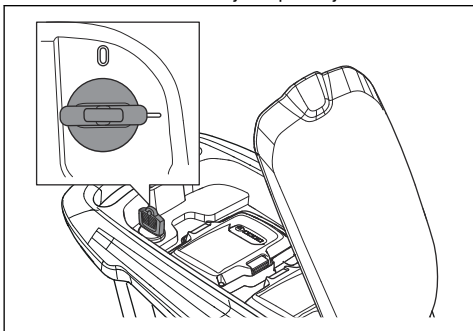


6. Pritisnite ručicu kočnice motora u smeru upravljača.



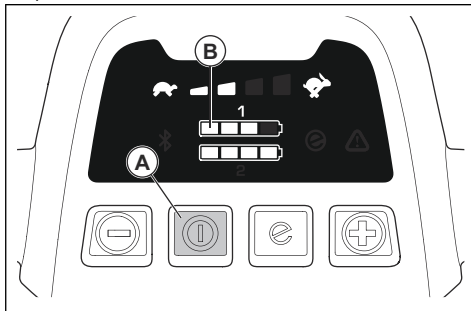
## Pokretanje proizvoda (LC 347iVX, LC 353iVX)

1. Otvorite poklopac akumulatora.
2. Stavite napunjen akumulator u 1 od odeljaka za akumulator. Za duže vreme rada, stavite drugi napunjen akumulator u drugi odeljak za akumulator.
3. Okrenite bezbednosni ključ u položaj 1.

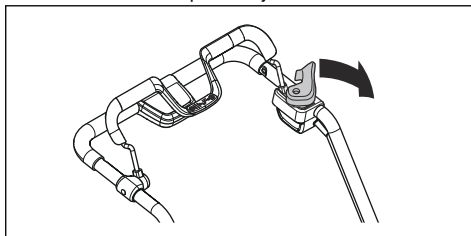


4. Stanite iza proizvoda.

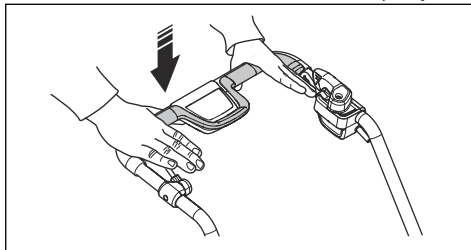
5. Pritisnite dugme za uključivanje/isključivanje (ON/OFF) (A) na kontrolnoj tabli. Uključuje se displej. Indikator akumulatora (B) prikazuje punjenje 2 akumulatora. Broj akumulatora koji je u radu je prikazan pored indikatora akumulatora. Za modele LC 347iVX, LC 353iVX, displej takođe prikazuje podešenu brzinu.



6. Olabavite inhibitor pokretanja.

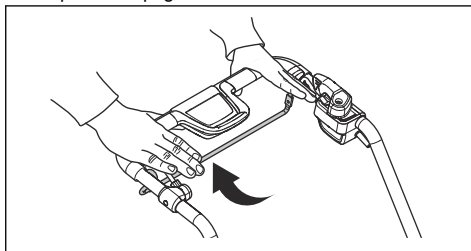


7. Pritisnite ručicu kočnice motora u smeru upravljača.



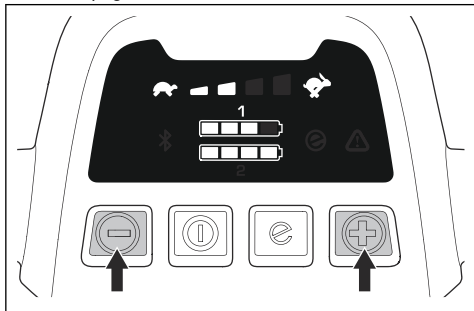
## Korišćenje pogona na točkicama LC 347iVX, LC 353iVX

- Povucite pogonsku osovinu u smeru upravljača da bi se pokrenuo pogon.





- Pritisnite + i - na kontrolnoj tabli da biste postavili brzinu pogona u 4 koraka.

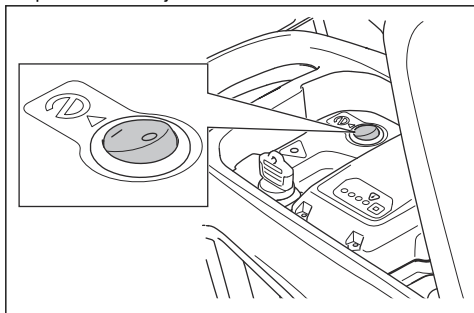


- Otпустите притискивач погона да бисте деактивирали погон, на пример, када се налазите близу препреке.

## Korišćenje funkcije SavE™ (LC 247i)

Proizvod ima funkciju uštede akumulatora (SavE™) koja pruža duže vreme rada.

- Pritisnite dugme SavE™ u položaj 1 da biste pokrenuli funkciju.



- Pritisnite dugme SavE™ u položaj 0 da biste zaustavili funkciju.

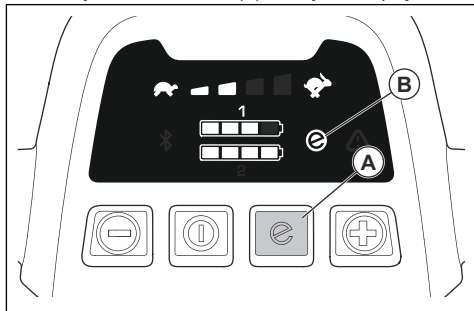
**Napomena:** Funkcija SavE™ se automatski zaustavlja ako uslovi tla zahtevaju veću izlaznu snagu. Funkcija SavE™ se automatski ponovo pokreće kada uslovi tla to dozvoljavaju.

## Korišćenje funkcije SavE™ (LC 347iVX, LC 353iVX)

Proizvod ima funkciju uštede akumulatora (SavE™) koja pruža duže vreme rada.

1. Pritisnite dugme SavE™ (A) da biste pokrenuli funkciju. Simbol SavE™ (B) prikazuje se na displeju.

2. Ponovo pritisnite dugme SavE™ da biste zaustavili funkciju. Simbol SavE™ (B) nestaje sa displeja.



**Napomena:** Funkcija SavE™ se automatski zaustavlja ako uslovi tla zahtevaju veću izlaznu snagu. Funkcija SavE™ se automatski ponovo pokreće kada uslovi tla to dozvoljavaju.

## Funkcija velikog opterećenja

Kada se proizvodom kosi visoka ili vlažna trava, motor automatski povećava broj obrtaja. Motor se vraća u standardni režim kada veliko opterećenje nije potrebno.

## Automatsko ponovno pokretanje

Tokom rada, nož i motor mogu da se privremeno zaustave zbog prepreka kao što su zapašene travom ispod poklopca košenja. Ako dođe do toga, i držite pritisnutu ručicu kočnice motora, proizvod će probati da se automatski ponovo pokrene. Ako se proizvod ne pokrene ponovo za 5 sekundi, treba očistiti prostor ispod poklopca košenja. Pogledajte *Čišćenje proizvoda na stranici 632*.



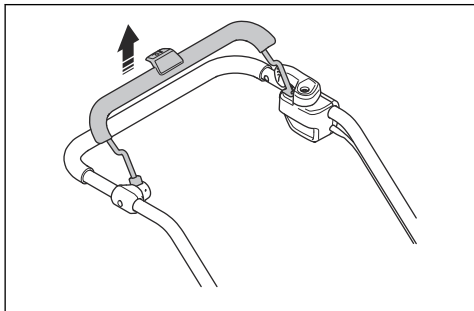
**UPOZORENJE:** Pre provere poklopca košenja pustite ručicu kočnice motora, okrenite bezbednosni ključ u položaj 0, uklonite akumulator i sačekajte najmanje 5 sekundi. Rizik od povrede ako se prepreka ukloni i proizvod slučajno proradi.

## Zaustavljanje proizvoda (LC 247i)

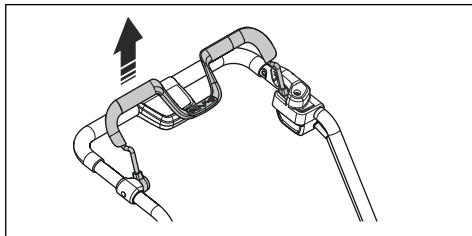


**UPOZORENJE:** Okrenite bezbednosni ključ u položaj 0 pre nego što ostavite proizvod bez nadzora.

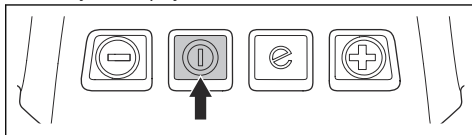
1. Otpustite ručicu kočnice motora da biste zaustavili motor.



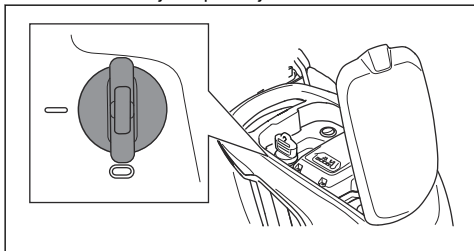
1. Otpustite ručicu kočnice motora da biste zaustavili motor.



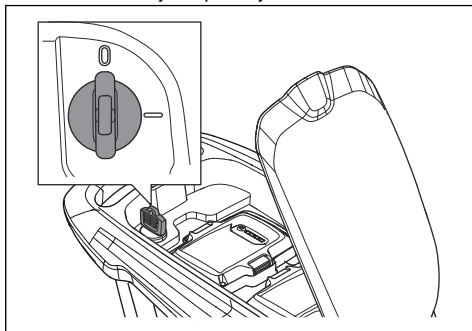
2. Pritisnite dugme za uključivanje/isključivanje (ON/OFF) na kontrolnoj tabli. Sve LED lampice i simboli nestaju sa displeja.



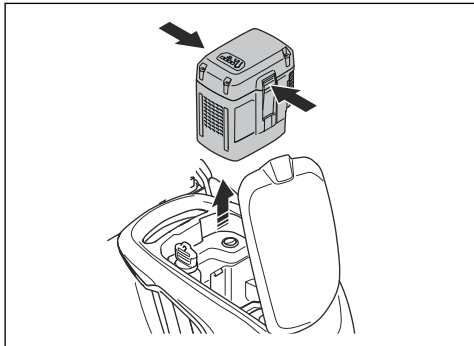
2. Otvorite poklopac akumulatora i okrenite bezbednosni ključ u položaj 0.



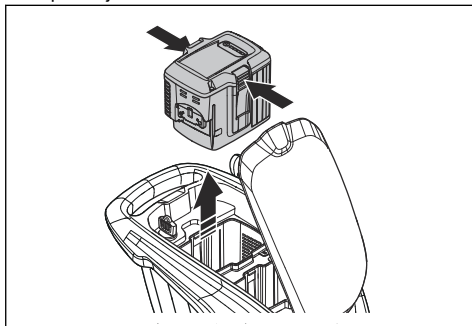
3. Otvorite poklopac akumulatora i okrenite bezbednosni ključ u položaj 0.



3. Da biste uklonili akumulator, pritisnite 2 dugmeta za otpuštanje i izvucite akumulator.



4. Da biste uklonili akumulator, pritisnite 2 dugmeta za otpuštanje i izvucite akumulator.



4. Napunite akumulator ako je prazan. Za više informacija pogledajte *Punjenje akumulatora na stranici 627*.

## Zaustavljanje proizvoda (LC 347iVX, LC 353iVX)



**UPOZORENJE:** Okrenite bezbednosni ključ u položaj 0 pre nego što ostavite proizvod bez nadzora.

5. Napunite akumulator ako je prazan. Za više informacija pogledajte *Punjenje akumulatora na stranici 627*.

**Napomena:** Proizvod se automatski zaustavlja ako ne radite sa njim tokom nekoliko minuta. Da biste pokrenuli proizvod, pogledajte *Pokretanje proizvoda (LC 347iVX, LC 353iVX)* na stranici 628.

## Za dobre rezultate

- Uvek koristite oštro sečivo. Tupo sečivo daje neujednačeni rezultat i pokošena površina trave postaje žuta. Oštro sečivo takođe koristi manje energije nego tupo sečivo.
- Nemojte kositi više od 1/3 dužine trave. Prvo kosite sa visokom visinom košenja. Pregledajte rezultat i spustite visinu košenja na prihvatljivi nivo. Ako je trava zaista visoka, vozite polako i kosite dvaput ako bude potrebno.

- Kosite u različitim smerovima svaki put da biste izbegli pruge na travnjaku.
- Poklopac košenja mora da bude čist. Naslage trave i prljavštine s unutarnje strane poklopca košenja mogu da umanje rezultate košenja. Pogledajte *Čišćenje proizvoda na stranici 632*

## Košenje trave bez hvatača trave i zatvarača za usitnjavanje

- Podignite zadnji poklopac i uklonite hvatač trave.
- Ako su postavljeni zatvarač za usitnjavanje i nož za usitnjavanje, uklonite ih.
- Zatvorite zadnji poklopac pre rada proizvodom.

Kad koristite proizvod, pokošena trava se izbacuje ispod zadnjeg poklopca.

## Održavanje

### Uvod



**UPOZORENJE:** Pre održavanja, morate pročitati i razumeti poglavlje o bezbednosti.

Za sva servisiranja i popravke proizvoda, potrebna je specijalna obuka. Garantujemo dostupnost stručnih popravki i servisiranja. Ako vaš prodavac nije servisni agent, obratite mu se za informacije o najbližem servisnom agentu.

Za detaljnije informacije pogledajte [www.husqvarna.com](http://www.husqvarna.com).

### Šema održavanja

Intervali održavanja su izračunati na osnovu svakodnevnog korišćenja proizvoda. Intervali se menjaju ako se proizvod ne koristi svakodnevno.

Za održavanja obeležena znakom \*, pogledajte uputstva u *Bezbednost na stranici 618*.

	Svaka upotreba	Mesečno	Svaka sezona
Izvršite generalni pregled	X		
Očistite proizvod	X		
Proverite inhibitor pokretanja *	X		
Uverite se da bezbednosni uređaji na proizvodu nisu neispravni *	X		
Pregledajte opremu za košenje	X		
Pregledajte poklopac alata za košenje *	X		
Proverite ručicu kočnice motora *	X		
Uverite se da dugme za uključivanje/isključivanje (ON/OFF) ispravno radi i da nije defektno	X		
Pregledajte akumulator u pogledu oštećenja	X		
Proverite punjenje akumulatora	X		
Uverite se da dugmad za otpuštanje na akumulatoru ispravno radi i da akumulator pravilno stoji u proizvodu	X		
Pregledajte punjač akumulatora u pogledu oštećenja i uverite se da ispravno radi.		X	

	Svaka upotreba	Mesečno	Svaka sezona
Pregledajte konektore između akumulatora i proizvoda. Takođe pregledajte konektore između akumulatora i punjača akumulatora.			X

## Vršenje opšteg pregleda

- Uverite se da su navrtke i zavrtnji na proizvodu zategnuti.
- Uverite se da kablovi na proizvodu nisu u položaju u kojem se mogu oštetiti.

## Čišćenje proizvoda

- Očistite plastične delove čistom i suvom krpom.
- Nemojte čistiti proizvod vodom. Voda može da prodre u akumulator ili motor i izazove kratak spoj ili oštećenje proizvoda.
- Nemojte da koristite čistač pod visokim pritiskom za čišćenje proizvoda.
- Nemojte direktno ispirati motor vodom.
- Uklonite lišće, travu i prljavštinu pomoću četke.

## Čišćenje akumulatora i punjača akumulatora



**UPOZORENJE:** Nemojte čistiti akumulator ili punjač akumulatora vodom.

- Uverite se da su akumulator i punjač akumulatora čisti i suvi pre stavljanja akumulatora na punjač akumulatora.
- Očistite terminale akumulatora komprimovanim vazduhom ili pomoću meke i suve krpe.
- Očistite površine akumulatora i punjača akumulatora pomoću meke i suve krpe.

## Pregled opreme za rezanje



**UPOZORENJE:** Kako biste sprečili slučajno pokretanje, okrenite bezbednosni ključ u položaj 0, uklonite akumulator i sačekajte najmanje 5 sekundi.



**UPOZORENJE:** Nosite zaštitne rukavice kada vršite održavanje na opremi za košenje. Sečivo je veoma oštro i lako dolazi do posekotina.

1. Pregledajte opremu za košenje u pogledu oštećenja ili naprslina. Uvek zamenite oštećenu opremu za košenje.
2. Pregledajte sečivo da biste videli je li oštećeno ili tupo.

**Napomena:** Nakon oštrenja sečiva potrebno ga je balansirati. Neka servisni centar naoštiri, zameni i balansira sečivo. Ako udarite o prepreku nakon čega se proizvod zaustavi, zamenite oštećeno sečivo. Neka servisni centar odredi da li sečivo može da se naoštiri ili mora da se zameni.

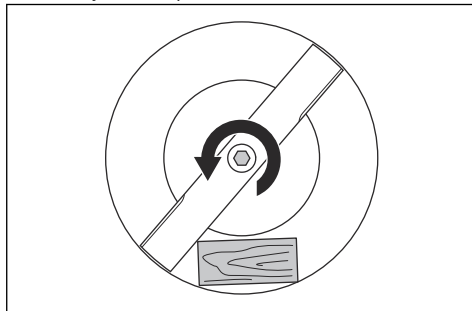
## Zamena sečiva

Za potreban tip noža pogledajte *Tehnički podaci na stranici 636*.

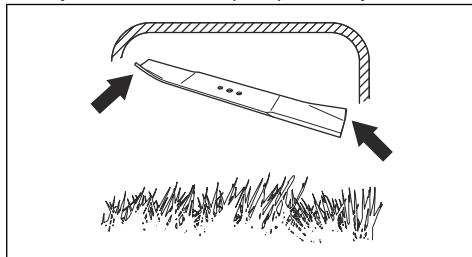


**UPOZORENJE:** Blokirajte nož komadom drveta da biste sprečili povrede prstiju tokom zamene noža. Nož može da se pomeri kad je motor isključen i prsti mogu da se uhvate između noža i nepomičnih delova.

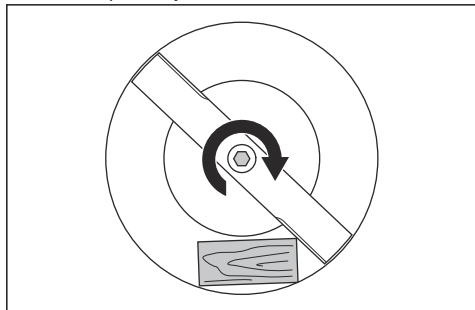
1. Blokirajte sečivo pomoću komada drveta.



2. Uklonite vijak sečiva.
3. Uklonite nož.
4. Pregledajte nosač sečiva i vijak sečiva kako biste videli postoje li oštećenja.
5. Pregledajte osovinu motora kako biste se uverili da nije savijena.
6. Kada postavite novo sečivo, usmerite savijene krajeve sečiva u smeru poklopca košenja.



7. Pobrinite se da je sečivo poravnato sa sredinom osovine motora.
8. Blokirate sečivo pomoću komada drveta. Postavite opružnu podlošku i zategnite vijak i podlošku na moment pritezanja od 23 do 28 Nm.



9. Povucite sečivo rukom da biste proverili da li se slobodno okreće.



**UPOZORENJE:** Nosite čvrste rukavice. Sečivo je veoma oštro i lako dolazi do posekotine.

10. Pokrenite proizvod kako biste testirali sečivo. Ako sečivo nije ispravno postavljeno, pojaviće se vibriranje proizvoda ili rezultat košenja neće biti zadovoljavajući.

## Rešavanje problema

### Akumulator

LED lampice na akumulatoru	Uzrok	Rešenje
Zelena LED lampica trepće.	Napon akumulatora je nizak.	Napunite akumulator. Pogledajte <i>Punjenje akumulatora na stranici 627</i>
LED lampica greške trepće.	Akumulator je slab.	Napunite akumulator. Pogledajte <i>Punjenje akumulatora na stranici 627</i>
	Temperatura u radnom okruženju je previsoka ili preniska.	Koristite akumulator na temperaturama između 5 °C i 40 °C.
	Prenapon.	Napon mreže mora da odgovara onom koji je naveden na nazivnoj pločici proizvoda.  Izvadite akumulator iz punjača akumulatora. Sačekajte 5 sekundi i ponovo pokušajte punjenje akumulatora. Ako se problem ne otkloni, obratite se ovlašćenom servisu.
LED lampica greške je uključena.	Razlika između ćelija je prevelika (1 V).	Obratite se ovlašćenom servisnom agentu.

## Punjač akumulatora

LED lampice na punjaču akumulatora	Uzrok	Rešenje
LED lampica greške trepće.	Temperatura u radnom okruženju je previsoka ili preniska.	Koristite punjač akumulatora na temperaturama između 5 °C i 40 °C.
LED lampica greške je uključena.		Obratite se ovlašćenom servisnom agentu.

## Kosačica za travu

Indikator upozorenja (LED greške) nalazi se ispod poklopca akumulatora ((LC 247i)) ili na kontrolnoj tabli ((LC 347iVX, LC 353iVX)).

Problem	LED greške (broj treptaja)	Uzrok	Rešenje
LED greške trepće. Proizvod ne radi kako bi trebalo.	3	Sečivo je blokirano.	Okrenite bezbednosni ključ u položaj 0 da biste sprečili slučajno pokretanje. Uklonite akumulator i sačekajte najmanje 5 sekundi. Uklonite moguće prepreke i uverite se da se sečivo slobodno okreće. Ako se problem ne otkloni, obratite se ovlašćenom servisu.
	5	Brzina motora prekomerno opada i motor se zaustavlja.	Povećajte visinu košenja. Pogledajte <i>Podešavanje visine košenja na stranici 626</i>
	6 <sup>97</sup>	Točkovi ili menjač su blokirani.	Okrenite bezbednosni ključ u položaj 0 da biste sprečili slučajno pokretanje. Uklonite akumulator i sačekajte najmanje 5 sekundi. Uklonite moguće prepreke i uverite se da se točkovi slobodno okreću. Ako se problem ne otkloni, obratite se ovlašćenom servisu.
	10	Kontrola motora je prevruća.	Zaustavite motor i sačekajte da se ohladi.

<sup>97</sup> LC 347iVX, LC353iVX

Problem	LED greške (broj treptaja)	Uzrok	Rešenje
LED greške trepće. Proizvod se zaustavlja.	0	Kvar konektora akumulatora.	Pregledajte konektor akumulatora.
	3	Motor je preopterećen.	Povećajte visinu košenja. Pogledajte <i>Podешavanje visine košenja na stranici 626</i>
	8	Akumulator je slab.	Napunite akumulator. Pogledajte <i>Punjenje akumulatora na stranici 627</i>
	9	Greška akumulatora ili nema signala sa akumulatora.	Pravilno postavite akumulator u proizvod i pregledajte konektor akumulatora. Ako LED lampica greške na akumulatoru trepće. Pogledajte <i>Akumulator na stranici 633</i>
	12	Procedura paljenja nije pravilno obavljena. Ručica kočnice motora je aktivirana pre pokretanja motora.	Otpustite ručicu kočnice motora i sačekajte oko 5 sekundi. Ponovo gurnite ručicu kočnice motora nadole da biste pokrenuli proizvod.
Druge greške.	Ako se pojave druge greške, okrenite bezbednosni ključ u položaj 0, uklonite akumulator i obratite se ovlašćenom servisnom agentu.		

## Transport, skladištenje i odlaganje

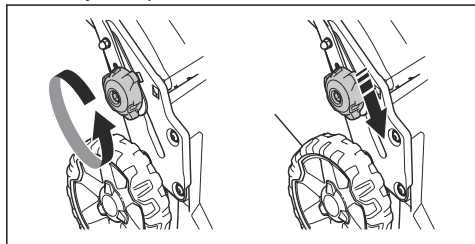
### Uvod



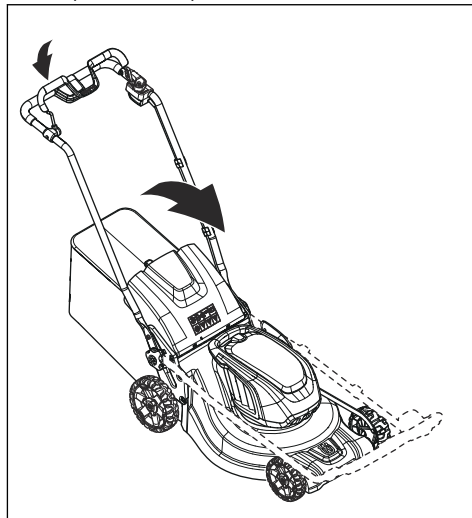
**UPOZORENJE:** Kako biste sprečili nenamerno pokretanje tokom prenosa, okrenite bezbednosni ključ u položaj „0“, uklonite akumulator i sačekajte najmanje 5 sekundi.

### Stavljanje proizvoda u položaj za transport

1. Olabavite donju dugmad.
2. Pomerite dugmad u donji kraj žlebova na levoj i desnoj strani proizvoda.



3. Sklopite ručku unapred.



4. Uklonite hvatač trave.

### Transport

- Zahtevi u pogledu transporta opasnih materija primenjuju se na sadržane litijum-jonske akumulateore.

- Za komercijalni transport moraju se poštovati posebni zahtevi koji su navedeni na pakovanju i nalepticama.
- Pobrinite se da se pridržavate propisa za transport opasnih materija prilikom pripreme proizvoda za transport. Lokalni propisi se mogu primenjivati.
- Uvek uklonite akumulator pre transporta.
- Stavite traku na konektore akumulatora i uverite se da se akumulator ne može pomerati tokom transporta.
- Fiksirajte proizvod tokom transporta.
- Pobrinite se da je akumulator napunjen na 30% - 50% pre skladištenja na duži vremenski period.
- Čuvajte proizvod, akumulator i punjač akumulatora na zaključanom mestu izvan domašaja dece i neovlašćenih osoba.
- Očistite proizvod i uverite se da je hvatač trave prazan.
- Obavljajte poslove održavanja opisane u ovom korisničkom uputstvu. Pogledajte *Održavanje na stranici 631*
- Obavite kompletan servis pre nego što uskladištite proizvod na duži vremenski period.

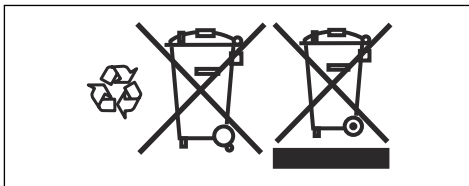
## Skladištenje

- Pre skladištenja treba sačekati da se proizvod ohladi.
- Uvek uklonite akumulator pre skladištenja.
- Kako bi se sprečili nesrećni slučajevi, uverite se da akumulator nije povezan na proizvod tokom skladištenja.
- Držite punjač akumulatora u zatvorenom i suvom prostoru.
- Držite akumulator i punjač akumulatora u suvom prostoru gde nema vlage ili mraza.
- Iskopčajte akumulator sa punjača akumulatora tokom skladištenja.
- Ne čuvajte akumulator na mestima gde može doći do statičkog pražnjenja. Ne čuvajte akumulator u metalnoj kutiji.
- Čuvajte proizvod na mestu gde je temperatura između -10 °C i 40 °C.
- Čuvajte akumulator na mestu gde je temperatura između 5 °C i 25 °C i van direktne sunčeve svetlosti.
- Čuvajte punjač akumulatora na mestu gde je temperatura između 5 °C i 45 °C i van direktne sunčeve svetlosti.

## Odlaganje

Simboli na proizvodu ili njegovom pakovanju ukazuju na to da se ovim proizvodom ne može rukovati kao otpadom iz domaćinstva. On se mora odneti u odgovarajući reciklažni pogon za obnavljanje električne i elektronske opreme.

Starajući se da se na odgovarajući način pobrinite za ovaj proizvod, možete da pomognete da se ublaži mogući negativni uticaj na životnu sredinu i ljude, do kojeg bi u suprotnom došlo u slučaju nepravilnog odlaganja ovog proizvoda na otpad. Za detaljnije informacije o recikliranju ovog proizvoda, obratite se vašoj opštini, „Gradskoj čistoći“ ili osoblju u prodavnici u kojoj ste proizvod kupili.



## Tehnički podaci

### Tehnički podaci

	LC 247I	LC 347IVX	LC 353IVX
<b>Motor košenja</b>			
Tip motora	BLDC (bez četkica) 36 V	BLDC (bez četkica) 36 V	BLDC (bez četkica) 36 V
Brzina motora – SavE, o/min	2600/min	2600/min	2600/min
Brzina motora – nominalna, o/min	3000/min	3000/min	3000/min
Brzina motora – veliko opterećenje, o/min	3500/min	3500/min	3500/min
Izlazna snaga motora – maks. kW	0,96	0,96	1,05
Izlazna snaga motora – nominalna, kW	0,75	0,75	0,9
<b>Pogonski motor</b>			
Izlazna snaga motora – nominalna, kW	Nije dostupno	0,25	0,25



	LC 247i	LC 347iVX	LC 353iVX
Brzina samostalnog hoda, km/h	Nije dostupno	3,0-4,5	3,0-4,5
Nivoi podešavanja brzine	Nije dostupno	4	4
<b>Težina</b>			
Masa bez kese (bez akumulatora), kg	24,5	26	28
Masa sa kesom (sa 2 x BLi30), kg	30,5	32,0	34,5
<b>Akumulator</b>			
Vrsta akumulatora	Husqvarna serija akumulatora		
<b>Vreme rada akumulatora</b>			
Vreme rada akumulatora, min. (slobodan rad) sa aktiviranom funkcijom SaveE, sa jednim Husqvarna 7,7 Ah akumulatorom (BLi30).	62	62	46
Vreme rada akumulatora, min. (slobodan rad) sa aktiviranim standardnim režimom, sa jednim Husqvarna 7,7 Ah akumulatorom (BLi30).	43	43	28
<b>Emisija buke</b> <sup>98</sup>			
Nivo zvučne snage, mereno dB (A)	94	94	97
Nivo zvučne snage, garantovano L <sub>WA</sub> dB (A)	95	95	98
<b>Nivoi zvuka</b> <sup>99</sup>			
Nivo zvučnog pritiska na uho rukovaoca, dB (A)	82	82	86
<b>Nivoi vibracije</b> <sup>100</sup>			
Ručka, m/s <sup>2</sup>	0,42	0,42	2,64
<b>Oprema za rezanje</b>			
Visina košenja, mm	20-75 mm	20-75 mm	20-75 mm
Širina košenja, cm	47	47	53
Sečivo Standard	Collect 5905934-10	Collect 5905934-10	Collect 5940757-10
Oprema za sečivo	Mulch 5907010-10	Mulch 5907010-10	Mulch 5950072-10
Kapacitet hvatača trave, litara	55	55	60

<sup>98</sup> Emisije buke u životnoj sredini merene kao zvučna snaga (L<sub>WA</sub>) u skladu sa direktivom 2000/14/EZ.

<sup>99</sup> Prijavljeni podaci o nivou pritiska buke imaju nepouzdanost (K) od 1,5 dB(A).

<sup>100</sup> Prijavljeni podaci o nivou vibracije imaju nepouzdanost (K) od 1,5 m/s<sup>2</sup>. Deklarisana ukupna jačina vibracija izmerena je u skladu sa standardom EN 62841-4-3, Aneks I, i može da se koristi za poređenje mašina i za preliminarnu ocenu izloženosti.

Podaci o radio frekvenciji za Bluetooth®	LC 2471	LC 3471VX	LC 3531VX
Opseg frekvencije, GHz	Nije dostupno	2,4-2,4835	2,4-2,4835
Izlazna snaga, maks. dBm	Nije dostupno	4	4

Odobreni akumulatori	Tip	Kapacitet akumulatora, Ah	Napon, V	Težina, lb/kg
BLi20	Litijum-jonski	4,0	36	2,6/1,2
BLi30	Litijum-jonski	7,7	36	4,2/1,9

Odobreni punjači za navedene akumulatora, BLi	Ulazni napon, V	Frekvencija, Hz	Snaga, W
QC80	100–240	50–60	80
40-C80	100–240	50–60	68,8
QC250	100–240	50–60	250

# Deklaracija o usaglašenosti

## EU deklaracija o usaglašenosti

Mi, **Husqvarna AB**, SE-561 82 Huskvarna, Švedska, tel:  
+46-36-146500, izjavljujemo pod punom odgovornošću  
da je proizvod:

<b>Opis</b>	Kosačica za travu
<b>Marka</b>	Husqvarna
<b>Tip/model</b>	LC 247i
<b>Identifikacija</b>	Serijski brojevi od 2021 i nadalje

u potpunosti usaglašen sa sledećim EU direktivama i  
propisima:

Direktiva/propis	Opis
2006/42/EZ	„koji se odnose na mašine“
2014/30/EU	„koji se odnose na elektromagnetsku kompatibilnost“
2000/14/EZ	„koji se odnose na emisiju buke u okruženju“
2011/65/EU	„koji se odnose na ograničenje upotrebe određenih opasnih supstanci u električnoj i elek- tronskoj opremi“

i da su sledeći standardi i/ili tehničke  
specifikacije primenjeni: EN 62841-1:2015+AC:2015, EN  
62841-4-3:2021+A11:2021, EN ISO 12100:2010, EN  
55014-1:2017+A11:2020, EN 55014-2:2015, EN IEC  
63000:2018.

Ovlašćeno telo: 0404, RISE SMP Svensk  
Maskinprovning AB, Box 7035, SE-750 07 Uppsala  
je sertifikovalo usaglašenost sa direktivom veća  
2000/14/EZ, postupak za procenu usklađenosti:  
Dodatak VI.

Za informacije o emisiji buke pogledajte *Tehnički podaci*  
*na stranici 636.*

Huskvarna, 2021-12-01



Claes Losdal, menadžer razvoja/baštenski proizvodi,  
Husqvarna AB

Odgovoran za tehničku dokumentaciju



## EU deklaracija o usaglašenosti

Mi, **Husqvarna AB**, SE-561 82 Huskvarna, Švedska, tel: +46-36-146500, izjavljujemo pod punom odgovornošću da je proizvod:

<b>Opis</b>	Kosačica za travu
<b>Marka</b>	Husqvarna
<b>Tip/model</b>	LC 347iVX, LC 353iVX
<b>Identifikacija</b>	Serijski brojevi od 2021-12-01 i nadalje

u potpunosti usaglašen sa sledećim EU direktivama i propisima:

Direktiva/propis	Opis
2006/42/EZ	„koji se odnose na mašine“
2014/53/EU	„koja se odnosi na radio opremu“
2000/14/EZ	„koji se odnose na emisiju buke u okruženju“
2011/65/EU	„koji se odnose na ograničenje upotrebe određenih opasnih supstanci u električnoj i elektronskoj opremi“

i da su sledeći standardi i/ili tehničke specifikacije primenjeni: EN 62841-1:2015+AC:2015, EN 62841-4-3:2021+A11:2021, EN ISO 12100:2010, EN 55014-1:2017+A11:2020, EN 55014-2:2015, EN IEC 63000:2018, EN ETSI 300 328 v.2.2.2, EN 50663: 2017, ETSI EN 301 489-1 V2.2.3, ETSI EN 301 489-17 V3.2.4.

Ovlašćeno telo: 0404, RISE SMP Svensk Maskinprovning AB, Box 7035, SE-750 07 Uppsala je sertifikovalo usaglašenost sa direktivom veća 2000/14/EZ, postupak za procenu usklađenosti: Dodatak VI.

Za informacije o emisiji buke pogledajte *Tehnički podaci na stranici 636*.

Huskvarna, 2021-12-01

Claes Losdal, menadžer razvoja/baštenski proizvodi, Husqvarna AB

Odgovoran za tehničku dokumentaciju



---

## Registrovani žigovi

---

Oznaka reči *Bluetooth®* i logotipi su registrovani žigovi u vlasništvu kompanije *Bluetooth SIG, inc.* i svaka njihova upotreba od strane kompanije Husqvarna je pod licencom.

---

## Innehåll

---

Introduktion.....	641	Felsökning.....	658
Säkerhet.....	643	Transport, förvaring och kassering.....	659
Montering.....	649	Tekniska data.....	661
Drift.....	650	Försäkran om överensstämmelse.....	663
Underhåll.....	656	Registrerade varumärken.....	664

---

## Introduktion

---

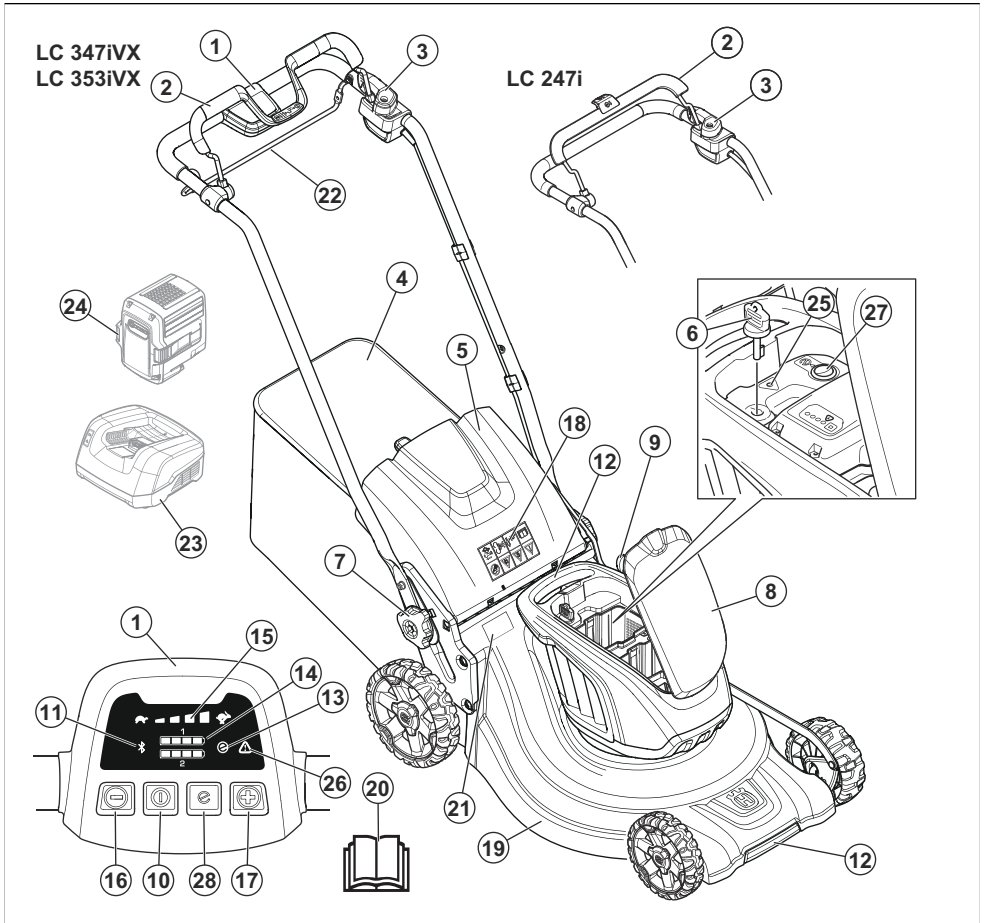
### Produktbeskrivning

Produkten är en rotorgräsklippare som styrs av en gående person. Gräset samlas i en gräsuppsamlare. Du kan ta bort gräsuppsamlaren om du vill att gräset ska komma ut mitt bak. Anslut ett mulchingkit (tillbehör) för att finfördela gräset till gödning.

### Avsedd användning

Använd produkten för att klippa gräs. Använd inte produkten till andra uppgifter.

## Produktöversikt



- |  |  |
|--|--|
| 1. Kontrollpanel (LC 347iVX, LC 353iVX)            | 16. Knappen sänka hastighet (LC 347iVX, LC 353iVX) |
| 2. Motorbromsbygel                                 | 17. Knappen öka hastighet (LC 347iVX, LC 353iVX)   |
| 3. Startspärr                                      | 18. Symboler                                       |
| 4. Gräsupsamlare                                   | 19. Klippkåpa                                      |
| 5. Kåpa bak  | 20. Bruksanvisning                                 |
| 6. Säkerhetsnyckel                                 | 21. Typskylt                                       |
| 7. Handtag   | 22. Drivbygel (LC 347iVX, LC 353iVX)               |
| 8. Batterilucka                                    | 23. Batteriladdare (tillbehör)                     |
| 9. Klipphöjdsreglage                               | 24. Batteri (tillbehör)                            |
| 10. ON/OFF-knapp                                   | 25. Lysdiod för fel (LC 247i)                      |
| 11. Indikator för trådlös Bluetooth®-teknik        | 26. Lysdiod för fel (LC 347iVX, LC 353iVX)         |
| 12. Lyfthandtag                                    | 27. Knappen SavE (LC 247i)                         |
| 13. SavE-indikator                                 | 28. Knappen SavE (LC 347iVX, LC 353iVX)            |
| 14. Batteriindikator                               |  |
| 15. Hastighetsnivåindikator (LC 347iVX, LC 353iVX) |  |

## Symboler på produkten

anges i *Tekniska data på sida 661* och på etiketten.



WARNING



Läs instruktionerna.



WARNING – Se upp för föremål som slungas iväg.



Håll kringstående på avstånd.



WARNING – Håll händer och fötter borta från knivarna.



WARNING – Koppla bort batteriet före underhåll.



Produkten eller dess förpackning är inte hushållsavfall. Återvinn den vid en återvinningsstation för elektrisk och elektronisk utrustning.



Produkten överensstämmer med gällande EU- och UK-direktiv och bestämmelser.



Miljömärkning för bulleremission enligt EU- och UK-direktiv och bestämmelser. Produktens garanterade ljudeffektnivå

## IPX1

Produkten har droppskydd.



Stoppa genom att släppa motorbromsbygeln.



Kod som kan skannas

**Notera:** Övriga symboler/dekaler på produkten avser specifika krav för certifieringar på vissa marknader.

## Märkning på produkten



FARA – Håll händer och fötter borta.

## Produktansvar

Enligt lagstiftningen för produktansvar ansvarar vi inte för skador som vår produkt orsakar om:

- produkten repareras felaktigt
- produkten repareras med delar som inte kommer från tillverkaren eller inte har godkänts av tillverkaren
- produkten har ett tillbehör som inte kommer från tillverkaren eller inte har godkänts av tillverkaren
- produkten inte repareras vid ett godkänt servicecenter eller av en godkänd person.

## Säkerhet

### Säkerhetsdefinitioner

Varningar, försiktighetsåtgärder och anmärkningar används för att betona speciellt viktiga delar i bruksanvisningen.



**WARNING:** Används om det finns risk för skador eller dödsfall för användaren

eller kringstående om anvisningarna i bruksanvisningen inte följs.



**OBSERVERA:** Används om det finns risk för skada på produkten, annat material eller det angränsande området om anvisningarna i bruksanvisningen inte följs.

**Notera:** Används för att ge mer information som är nödvändig i en viss situation.

## Allmänna säkerhetsvarningar



**VARNING:** Gå igenom alla säkerhetsvarningar, instruktioner, illustrationer och specifikationer som medföljer produkten. Om du inte följer instruktionerna nedan kan det leda till elektriska stötar, brand och/eller allvarliga skador.

**Spara alla varningar och instruktioner som referens.** I varningarna syftar begreppet "produkten" på en produkt som antingen är ansluten till en strömkälla (med sladd) eller drivs av batteri (sladdlös).

### Säkerhet i arbetsområdet

- **Arbetsområdet ska hållas välordnat och välbelyst.** I rörliga eller mörka arbetsområden händer det lätt olyckor.
- **Använd inte produkten i explosiva miljöer, t.ex. i närvaro av brandfarliga vätskor, gaser eller damm.** Gnistor från produkten kan antända damm eller ångor.
- **Håll barn och åskådare på avstånd när du använder produkten.** Om du blir distraherad kan du tappa kontrollen.

### Elsäkerhet

- **Produktens stickpropp måste passa i eluttaget. Förändra aldrig stickkontakten på något sätt. Använd inga adapterkontakter med jordade produkter.** Oförändrade stickkontakter och motsvarande vägguttag minskar riskerna för elektriska stötar.
- **Undvik kroppskontakt med jordade ytor, t.ex. rör, kylare, spisar och kylskåp.** Risken för elektriska stötar ökar om kroppen är jordad.
- **Utsätt inte produkter för regn eller våta.** Om vatten tränger in produkten ökar risken för elstötar.
- **Använd inte sladden på fel sätt. Använd inte sladden för att bära eller dra produkten eller för att koppla ur produkten från eluttaget. Håll sladden borta från värme, olja, vassa kanter och rörliga delar.** Skadade eller trassliga sladdar ökar risken för elektriska stötar.
- **När du använder en produkt utomhus ska du även använda en förlängningssladd för utomhusbruk.** Om du använder en sladd för utomhusbruk minskar risken för elektriska stötar.
- **Om det är oundvikligt att köra en produkt i en fuktig miljö ska du använda en jordfelsbrytare.** Med jordfelsbrytare minskar risken för elektriska stötar.

### Personsäkerhet

- **Var på din vakt, var uppmärksam på vad du gör och använd sunt förnuft när du använder produkten.**

**Använd inte produkten om du är trött, om du har druckit alkohol eller om du har tagit andra droger eller mediciner.** Ett ögonblick av ouppmärksamhet när du använder produkter kan leda till allvarlig personskada.

- **Använd personlig skyddsutrustning. Använd alltid ögonskydd.** Lämplig skyddsutrustning som ansiktsmask, halkfria skyddsskor, hjälm eller hörselskydd minskar risken för personsador.
- **Förebygg att elverktyget startar oavsiktligt. Se till att strömbrytaren är frånslagen innan du ansluter elverktyget till en strömkälla och/eller ett batteri och innan du tar upp eller bär produkten.** Risken för olyckor är stor om du bär produkter med fingret på strömbrytaren eller tillför ström till produkter med strömbrytaren påslagen.
- **Ta bort eventuella justeringsnycklar eller skiftnycklar innan du slår på produkten.** Skiftnycklar som lämnas kvar i produktens rörliga delar kan orsaka personskada.
- **Sträck dig inte för långt. Ha alltid ett stadigt fotfäste och god balans.** Det ger dig större kontroll över produkten i oväntade situationer.
- **Klä dig rätt. Använd inte löst sittande kläder eller smycken. Håll hår och kläder borta från rörliga delar.** Lösa kläder, smycken eller långt hår kan fastna i rörliga delar.
- **Om det finns anordningar för anslutning av enheter för uppsamling av damm, se då till att dessa är ordentligt anslutna och att de används på rätt sätt.** Dammuppsamling kan minska dammrelaterad fara.
- **Tillåt inte dig själv att bli för avslappnad, även om du har erfarenhet av regelbunden användning av produkter, så att du börjar strunta i produktsäkerheten.** En slarvig handling kan orsaka allvarlig skada på mindre än en sekund.

### Produktens användning och skötsel

- **Använd inte onödig kraft med produkten. Använd den produkt som är rätt för aktuellt syfte.** Med rätt produkt utför du ett bättre och säkrare jobb med den hastighet som produkten är utformad för.
- **Använd inte produkten om du inte kan starta och stänga av den med strömbrytaren.** Produkter som inte kan regleras med strömbrytaren är farliga och måste repareras.
- **Koppla bort kontakten från strömkällan och/eller ta ut batteriet (om det kan tas bort) innan du gör några justeringar, byter tillbehör eller förvarar produkter.** Sådana förebyggande säkerhetsåtgärder minskar risken för att produkten startas oavsiktligt.
- **Förvara produkter utom räckhåll för barn när de inte används. Se till att personer som inte tidigare har hanterat produkter eller som inte har läst instruktionerna inte använder dem.** Produkter är farliga om de används av ovana användare.
- **Underhåll produkter och tillbehör. Kontrollera att rörliga delar ligger i linje och inte kärvar. Kontrollera även om det finns skadade delar eller om det föreligger andra förhållanden som kan påverka**



produktfunktionen. Om produkten är skadad ska den repareras innan den används igen. Många olyckor sker på grund av att rätt underhåll inte har utförts på produkten.

- **Håll kapverktyg skarpa och rena.** Väl underhållna klippande verktyg med vassa eggar kärvar mer sällan och är lättare att kontrollera.
- **Använd produkten och tillbehör enligt de här instruktionerna.** Tänk på att ta hänsyn till arbetsförhållandena och det arbete som ska utföras. Användning av produkten i andra syften än de avsedda kan resultera i en farlig situation.
- **Håll handtagen och greppytorna torra, rena och fria från olja och fett.** Hala handtag och greppytor innebär att det inte är säkert att hantera och styra produkten i oväntade situationer.

## Tjänst

- **Låt en kvalificerad reparatör, som endast använder identiska reservdelar, underhålla produkten.** På så sätt garanterar du att säkerheten för produkten upprätthålls.
- **Utför aldrig underhåll på skadade batteripack.** Underhåll på batteripack bör endast utföras av tillverkaren eller auktoriserade tjänsteleverantörer.

## Använda och underhålla batteridrivna verktyg

- **Ladda endast upp med den laddare som anges av tillverkaren.** En laddare som är lämplig för en typ av batteripack kan utgöra en brandrisk när den används med ett annat batteripack.
- **Använd endast produkter med särskilt avsedda batteripack.** Användning av andra batteripack kan innebära risk för skada och brand.
- **När batteripacket inte används ska du hålla det borta från andra metallföremål, som gem, mynt, nycklar, spikar, skruvar och andra små metallföremål, som kan skapa en anslutning mellan kontaktorna.** Kortslutning av batteriets kontakter kan orsaka brännskador eller brand.
- **Vid felaktig användning kan vätska spruta ut från batteriet. Undvik kontakt. Om kontakt inträffar av misstag ska du skölja med vatten. Om du får vätska i ögonen ska du uppsöka läkare.** Vätska som sprutar ut från batteriet kan orsaka irritation eller sveda.
- **Använd inte ett batteripack eller ett verktyg som är trasigt eller modifierat.** Skadade eller modifierade batterier kan fungera på ett oväntat sätt vilket kan leda till brand, explosion eller risk för skada.
- **Utsätt inte ett batteripack eller ett verktyg för brand eller extrema temperaturer.** Om det utsätts för brand eller temperaturer över 130 °C kan en explosion inträffa.
- **Följ alla anvisningar för laddning och ladda inte batteripacket eller verktyget utanför det temperaturintervall som anges i instruktionerna.** Felaktig laddning eller temperaturer utanför det specificerade området kan skada batteriet och öka risken för brand.

## Säkerhetsvarningar för gräsklippare

- **Använd inte gräsklipparen i dåligt väder, i synnerhet inte vid risk för blixtnedslag.** Det minskar risken att träffas av blixten.
- **Kontrollera om det finns vilda djur i området där gräsklipparen ska användas.** Vilda djur kan skadas av gräsklipparen under drift.
- **Kontrollera noga området där gräsklipparen ska användas och ta bort alla stenar, grejor, kablar, ben och andra främmande föremål.** Utslungade föremål kan orsaka personskador.
- **Innan du använder gräsklipparen är det viktigt att kontrollera att kniven och knivmonteringen inte är slitna eller skadade.** Slitna eller skadade delar ökar skaderisken.
- **Före användning: Kontrollera strömsladden och eventuella förlängningsladdar beträffande tecken på skador eller slitage.** Använd inte gräsklipparen om sladden är skadad eller slitna. Om sladden skadas eller slitits under användning ska du stänga av gräsklipparen. Koppla bort den från strömförsörjningen och var noga med att inte röra vid sladden. En skadad strömsladd eller förlängningsladd kan orsaka elstöt, brand eller allvarliga skador.
- **Kontrollera gräsuppsamlaren ofta med avseende på slitage eller fel.** En slitna eller skadad gräsuppsamlare kan öka risken för personskador.
- **Se till att skydden sitter på plats. Skydden måste vara i funktionsdugligt skick och vara korrekt monterade.** Skydd som är lösa, skadade eller inte fungerar som de ska kan leda till personskador.
- **Håll alla kalluftsintag borta från skräp.** Blockerade luftintag och skräp kan leda till överhettning eller brandrisk.
- **Använd alltid halksäkra skyddsskor när du använder gräsklipparen. Använd aldrig gräsklipparen barfota eller med öppna sandaler.** Detta minskar risken för skador på fötterna av den rörliga kniven.
- **Ha alltid på dig långbyxor när du använder gräsklipparen.** Exponerad hud ökar risken för skador från utkastade föremål.
- **Använd inte gräsklipparen i vått gräs. Gå – spring aldrig.** Detta minskar risken för att halka och falla, som kan leda till personskador.
- **Kör inte gräsklipparen i för branta lutningar.** Detta minskar risken för att du tappar kontrollen, halkar eller ramlar, som kan resultera i personskador.
- **När du arbetar i lutningar ska du alltid stå stadigt, alltid arbeta tvärs över lutningen snarare än uppifrån och ner och vara oerhört försiktig när du byter riktning.** Detta minskar risken för att du tappar kontrollen, halkar eller ramlar, som kan resultera i personskador.
- **Var extremt försiktig när du backar eller drar gräsklipparen mot dig. Var alltid uppmärksam på din omgivning.** Då minskar risken för att snubbla under användningen.

- **Håll strömsladden borta från knivarna.** En skadad strömsladd kan orsaka elstötar, brand eller allvarliga skador.
- **Stäng av produkten och koppla bort kontakten från strömkällan om sladden är trasslad eller skadad.** Trasslade eller skadade sladdar ökar risken för elstötar.
- **Vidrör inte knivar eller andra farliga rörliga delar medan de fortfarande är i rörelse.** Detta minskar risken för skador som orsakas av rörliga delar.
- **När du tar bort material som har fastnat eller rengör gräsklipparen måste du se till att alla strömbrytare är avstängda och att strömsladden är fränkopplad.** Övuntade rörelser av gräsklipparen kan leda till allvarliga personskadorna.

- Modifiera aldrig den här produkten och använd den inte om det är möjligt att den har blivit modifierad av andra.

## Arbets säkerhet



**VARNING:** Läs varningsinstruktionerna nedan innan du använder produkten.

- Använd enbart den här produkten för att klippa gräsmattor. Det är inte tillåtet att använda den för andra uppgifter.
- Använd personlig skyddsutrustning. Se *Personlig skyddsutrustning på sida 647*.
- Se till att du vet hur man snabbt stoppar motorn i en nödsituation.
- Använd inte produkten i regn eller vid blöta förhållanden. Risken för elektriska stötar ökar om vatten kommer in i produkten.
- Använd inte produkten utan att kniven och alla kåpor är korrekt monterade. En felaktigt monterad kniv kan lossna och orsaka personskadorna.
- Se till att kniven inte slår emot föremål som stenar och rötter. Detta kan göra att kniven skadas och böja motoraxeln. En böjd axel orsakar kraftiga vibrationer och risken för att kniven lossnar blir mycket hög.
- Om kniven träffar ett föremål eller om det uppstår vibrationer ska du omedelbart stanna produkten. Stäng av motorn, vrid säkerhetsnyckeln till 0 och ta ur batteriet. Vänta tills alla rörliga delar står stilla. Kontrollera om det finns några skador på produkten. Dra åt lösa delar. Reparera skador och byt ut skadade delar. Låt en godkänd serviceverkstad utföra reparationer.
- Fäst aldrig motorbromsbygeln permanent på handtaget när motorn är igång.
- Ställ produkten på ett stabilt plant underlag och starta den. Se till att kniven inte vidrör marken eller andra föremål.
- Håll dig alltid bakom produkten när du använder den.
- Låt alla hjul stå på marken och håll båda händerna på handtaget när du använder produkten. Håll händer och fötter borta från de roterande knivarna.
- Luta inte produkten när du startar motorn eller under användning av produkten.
- Var försiktig när du drar produkten bakåt.
- Lyft aldrig upp produkten när motorn är igång. Om du måste lyfta upp produkten stänger du av motorn, vrid säkerhetsnyckeln till 0 och tar loss batteriet.
- Gå inte baklänges när du använder produkten.
- Stäng av motorn när du behöver luta produkten för transport eller innan du förflyttar dig över ytor utan gräs, till exempel vägar med grus, sten och asfalt.
- Spring inte med produkten när motorn är igång. Gå alltid när du använder produkten.
- Stäng av motorn innan du ändrar klipphöjden. Gör aldrig justeringar med motorn igång.

## Jordfelsbrytare

- Använd en jordfelsbrytare med en utlösningsström på högst 30 mA.

## Allmänna säkerhetsanvisningar



**VARNING:** Läs varningsinstruktionerna nedan innan du använder produkten.

- Denna produkt är farlig om den används på fel sätt, och om du inte är försiktig. Skada eller dödsfall kan inträffa om du inte följer säkerhetsinstruktionerna.
- Denna produkt alstrar ett elektromagnetiskt fält under drift. Detta fält kan under vissa omständigheter ge påverkan på aktiva eller passiva medicinska implantat. För att reducera risken för omständigheter som kan leda till allvarliga eller livshotande skador rekommenderar vi därför personer med implantat att rådgöra med läkare samt tillverkaren av det medicinska implantatet innan denna produkt används.
- Var alltid försiktig och använd sunt förnuft. Om du inte vet hur du ska använda produkten i en särskild situation ska du stanna den och tala med en Husqvarna-återförsäljare innan du fortsätter.
- Tänk på att användaren kommer att hållas ansvarig för olyckor som involverar andra människor eller deras egendom.
- Håll produkten ren. Se till att du kan läsa skyltar och dekaler tydligt.
- Låt aldrig barn eller personer som inte känner till de här instruktionerna använda produkten. Lokala föreskrifter kan ange en åldersgräns för användning.
- Övervaka alltid en person med nedsatt fysisk eller mental kapacitet som använder produkten. En vuxen person måste vara närvarande hela tiden.
- Använd aldrig produkten om du är trött, sjuk eller om du är påverkad av alkohol, droger eller läkemedel. Detta har en negativ inverkan på din syn, ditt omdöme och din kropps kontroll.
- Använd inte produkten om den är trasig.

- Lämna aldrig produkten utanför ditt synfält med motorn igång. Stäng av motorn och se till att skärutrustningen inte roterar.
- Vibrationerna i produkten under drift kan skilja sig från deklarerat vibrationsvärde i *Tekniska data på sida 661*. Skillnaden beror på skillnader i användning av produkten. Om du använder produkten ofta eller under långa perioder bör du ta pauser regelbundet för att förhindra skador till följd av vibrationer.

## Säkerhetsinstruktioner för drift

### Personlig skyddsutrustning



**VARNING:** Läs varningsinstruktionerna nedan innan du använder produkten.

- Personlig skyddsutrustning kan inte eliminera skaderisken helt, men den reducerar effekten av en skada vid ett eventuellt olyckstillbud. Be din återförsäljare om hjälp med att välja rätt utrustning.
- Använd kraftiga hals säkra kängor eller skor. Använd inte öppna skor och var inte barfota.
- Använd tjockare långbyxor.
- Använd skyddshandskar vid behov, till exempel när du ansluter, undersöker eller rengör skärutrustningen.
- Vi rekommenderar att du använder hörselskydd.

### Säkerhetsanordningar på produkten



**VARNING:** Läs varningsinstruktionerna nedan innan du använder produkten.

- Använd inte en produkt med defekta säkerhetsanordningar.
- Ta inte bort och gör inga ändringar på säkerhetsanordningar.
- Kontrollera säkerhetsanordningarna regelbundet. Om säkerhetsanordningarna är defekta ska du prata med din Husqvarna serviceverkstad.

### Kontrollera klippkåpan

Klippkåpan dämpar vibrationerna och minskar risken för skador orsakade av kniven.

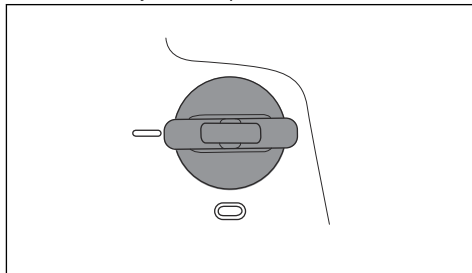
- Undersök klippkåpan för att se till att där inte finns några skador, t.ex. sprickor.

### Kontrollera säkerhetsnyckeln

Säkerhetsnyckeln finns under batteriluckan. Säkerhetsnyckeln kopplar in batteriet som matar motorn med ström.

- Starta och stäng av motorn för att kontrollera säkerhetsnyckeln.

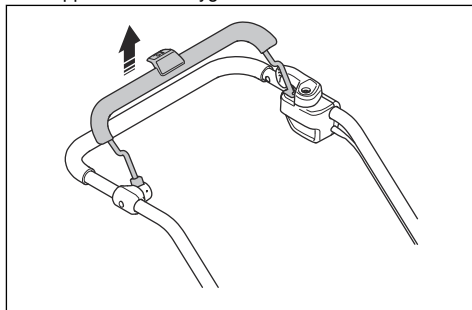
- Om säkerhetsnyckeln fungerar korrekt startar motorn endast när nyckeln är i position 1.



### Kontrollera motorbromsbygeln

Motorbromsbygeln stänger av motorn. När motorbromsbygeln släpps stannar motorn.

- Starta produkten. Se *Drift på sida 650*.
- Släpp motorbromsbygeln.

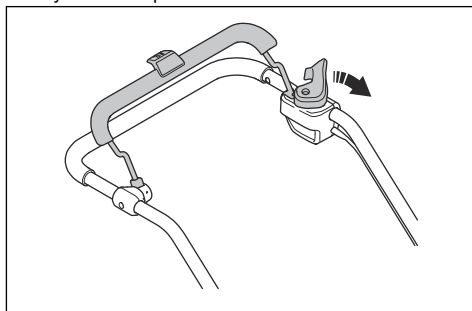


- Se till att produkten stannar. Om motorn inte stannar inom tre sekunder ska du låta en godkänd Husqvarna-serviceverkstad justera motorbromsen.

### Kontrollera startspärren

Gör en kontroll av startspärren för att se till att den hindrar drift av motorn.

1. Tryck motorbromsbygeln i handtagets riktning. Startspärren stoppar rörelsen.
2. Tryck ut startspärren.



3. Lossa startspärren och se till att den går tillbaka till ursprungsläget.

## Batterisäkerhet



**VARNING:** Läs varningsinstruktionerna nedan innan du använder produkten.

- Använd endast laddningsbara batterier från Husqvarna som strömkälla för relaterade Husqvarna-produkter. På grund av risken för skador ska du inte använda batteriet som strömkälla för andra enheter.
- Använd inte batterier som inte är laddningsbara.
- Risk för elektrisk stöt. Anslut inte batteripolerna till nycklar, mynt, skruvar eller andra metallföremål. Det kan orsaka kortslutning i batteriet.
- Placera inte föremål i luftspringorna på batteriet.
- Håll batteriet borta från direkt solljus, värme och öppen eld. Batteriet kan explodera och orsaka brännskador och/eller kemiska brännskador.
- Håll batteriet borta från regn och fuktiga förhållanden.
- Håll batteriet borta från mikrovågor och högt tryck.
- Försök inte ta isär eller krossa batteriet.
- Om batteriet läcker ska du inte låta vätskan komma i kontakt med huden eller ögonen. Om du har rört vid vätskan ska du rengöra området med stora mängder vatten och kontakta läkare.
- Använd endast batteriet i produkten när omgivningstemperaturen är mellan 5 och 40 °C.
- Använd endast batteriladdaren när omgivningstemperaturen är mellan 5 och 40 °C.
- Batteriet laddas inte om batteritemperaturen överstiger 50 °C.
- Rengör inte batteriet eller batteriladdaren med vatten. Se *Rengöra batteriet och batteriladdaren på sida 657*.
- Använd inte ett defekt eller skadat batteri.
- Håll batterier som förvaras borta från metallföremål, exempelvis spikar, mynt och smycken.

## Säkerhet, batteriladdare



**VARNING:** Läs varningsinstruktionerna nedan innan du använder produkten.

- Använd endast QC-batteriladdare för att ladda utbytesbatterier från Husqvarna.
- Risk för elektrisk stöt eller kortslutning. Placera inte föremål i luftspringorna på laddaren. Försök inte plocka isär batteriladdaren. Anslut inte laddarens kontakter till metallföremål. Använd ett godkänt eluttag.
- Denna produkt alstrar ett elektromagnetiskt fält under drift. Detta fält kan under vissa omständigheter ge påverkan på aktiva eller passiva

medicinska implantat. För att reducera risken för omständigheter som kan leda till allvarliga eller livshotande skador rekommenderar vi därför personer med implantat att rådgöra med läkare samt tillverkaren av det medicinska implantatet innan denna maskin används.

- Kontrollera regelbundet att nätsladden till batteriladdaren är oskadad och att inga sprickor finns.
- Lyft inte batteriladdaren i nätsladden. Koppla bort batteriladdaren från eluttaget genom att dra i kontakten. Dra inte i nätsladden.
- Håll nätsladd och skarvsladd borta från vatten, olja och skarpa kanter. Var uppmärksam så att inte kabeln kläms i dörrar, stängsel eller liknande. Det kan annars medföra att laddaren blir strömförande.
- Rengör inte batteriladdaren med vatten.
- Batteriladdaren kan användas av barn från 8 år och uppåt och personer med olika funktionshinder eller bristande erfarenhet och kunskap om de hålls under uppsikt eller får instruktioner om säker användning av batteriladdaren och förstår de risker användandet medför. Barn får inte leka med batteriladdaren. Rengöring och underhåll får inte utföras av barn utan tillsyn.
- Ladda aldrig ej uppladdningsbara batterier i batteriladdaren.
- Använd inte batteriladdaren nära brandfarliga material eller material som kan orsaka korrosion. Täck inte över batteriladdaren. Dra ut stickkontakten till batteriladdaren vid rökutveckling eller brand.
- Använd aldrig defekta eller skadade batteriladdare.
- Ladda endast batteriet inomhus där den inte utsätts för solljus och i ett rum med bra luftflöde. Ladda inte batteriet vid fuktiga förhållanden.

## Säkerhetsinstruktioner för underhåll



**VARNING:** Läs varningsinstruktionerna nedan innan du använder produkten.

- För att förhindra oavsiktlig start vid underhåll ska du vrida säkerhetsnyckeln till 0 och ta bort batteriet. Vänta i minst fem sekunder innan du påbörjar underhåll.
- Utför endast det underhållsarbete som anges i den här bruksanvisningen. Mer omfattande arbete och professionell reparation ska utföras av en godkänd serviceverkstad. Tala med din närmaste serviceverkstad för mer information.
- Utför underhållsarbete på rätt sätt för att öka produktens livslängd och minska risken för olyckor.
- Byt ut skadade, slitna och trasiga delar. Använd alltid reservdelar i original från tillverkaren. Andra reservdelar kan orsaka skador på produkten och öka risken för olyckor.
- Undvik risken för skador: Ta inte bort och gör inga ändringar på säkerhetsanordningar.

- Använd kraftiga arbetshandskar när du använder skärutrustningen. Kniven är mycket vass och skärskador uppstår lätt.
- Håll den skärande delen skarp och ren för bästa och säkraste prestanda.
- Låt din serviceverkstad regelbundet kontrollera produkten och göra nödvändiga inställningar och reparationer.
- Följ instruktionerna för byte av tillbehör. Använd endast tillbehör från tillverkaren.
- När den inte används ska du hålla produkten, batteriet och batteriladdaren ifrån varandra på ett torrt och låst utrymme inomhus. Se till att barn och personer som inte är godkända inte kan få tillgång till produkten, batteriet eller batteriladdaren.

## Montering

### Introduktion



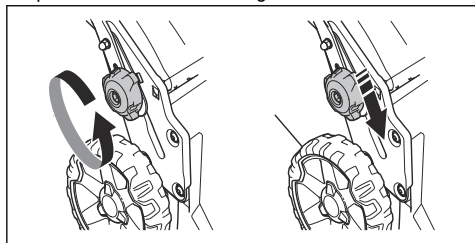
**VARNING:** Innan du monterar produkten ska du läsa säkerhetskapitlet.



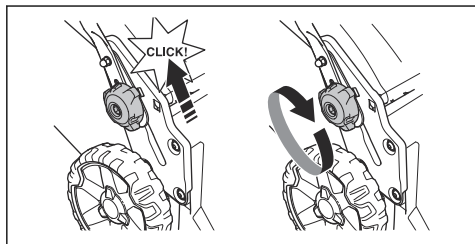
**VARNING:** Förhindra oavsiktlig start vid montering genom att vrida säkerhetsnyckeln till 0, ta bort batteriet och vänta minst fem sekunder.

### Justera handtaget

1. Lossa de nedre vreden.
2. Flytta vreden till den nedre delen av spåren på produktens vänstra och högra sida.



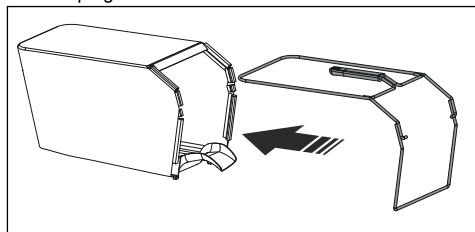
3. Ställ in handtagshöjden till ett av två tillgängliga lägen.
4. Skjut vreden uppåt mot handtaget tills det tar stopp och du hör ett klick.



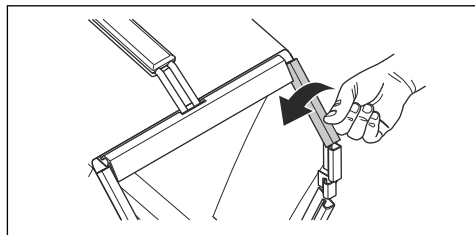
5. Dra åt vreden helt.

### Montera gräsupsamlaren

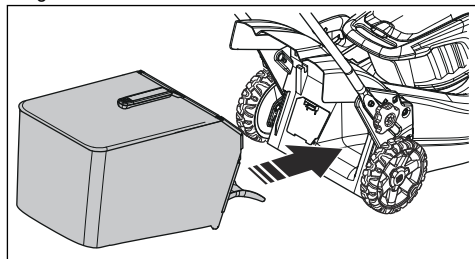
1. Fäst gräsupsamlarens ram i gräsbehållaren, med behållarens stela del nedåt. Håll ramens handtag ovanpå gräsbehållaren.



2. Sätt fast den nedre delen av gräsupsamlarens ram i spåret på undersidan av gräsupsamlaren.
3. Fäst gräsbehållaren på gräsupsamlarens ram med klämmorna.

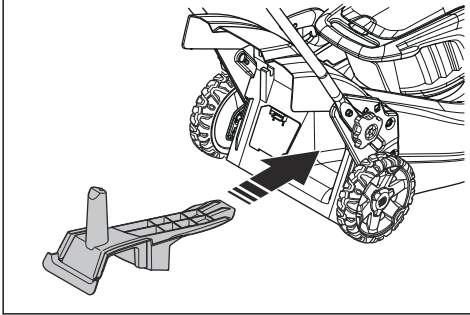


4. Lyft den bakre kåpan.
5. Fäst gräsupsamlaren i den övre kanten på chassit.
6. Sätt den nedre delen av gräsupsamlaren i gräsutkastkanalen.



## Montera mulchingpluggen (tillbehör)

1. Lyft upp den bakre kåpan och ta loss gräsuppsamlaren.
2. För in mulchingpluggen i utkastkanalen.



3. Byt ut kniven mot mulchingkniven som tillhandahålls i mulchingsatsen. Se *Byta knivar på sida 657*.

## Drift

### Introduktion



**WARNING:** Innan du använder produkten måste du läsa igenom och förstå kapitlet om säkerhet.

### Husqvarna Connect

Husqvarna Connect är en kostnadsfri app för mobila enheter. Husqvarna Connect-appen utökar funktionerna för Husqvarna-produkten:

- Mer produktinformation.
- Information om, och hjälp med, produktdelar och service.

### Börja använda Husqvarna Connect

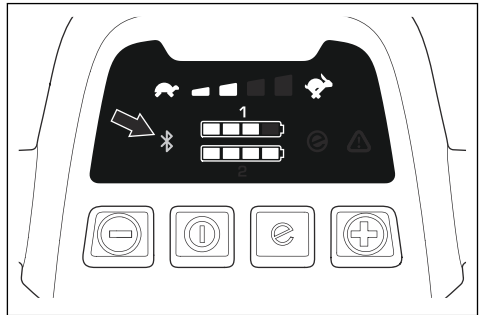
1. Ladda ner Husqvarna Connect-appen på din mobila enhet.
2. Utför registreringen i Husqvarna Connect-appen.
3. Följ instruktionerna i Husqvarna Connect-appen för att ansluta och registrera produkten.

**Notera:** Husqvarna Connect-appen är inte tillgänglig för hämtning på alla marknader. Prata med en serviceverkstad för mer information.

### Bluetooth® information (LC 347iVX, LC 353iVX)

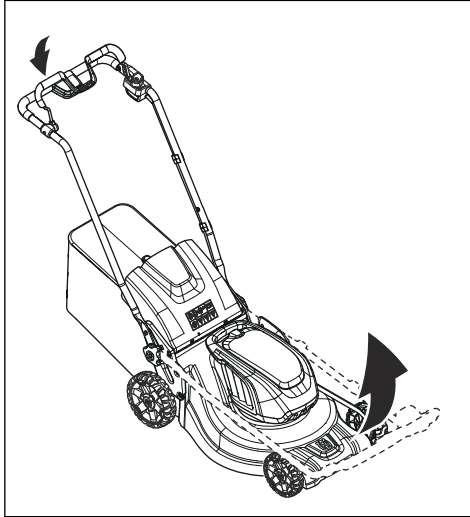
#### Trådlös Bluetooth®-teknik

Symbolen för trådlös *Bluetooth®*-teknik visas när din mobila enhet är ansluten till produkten.

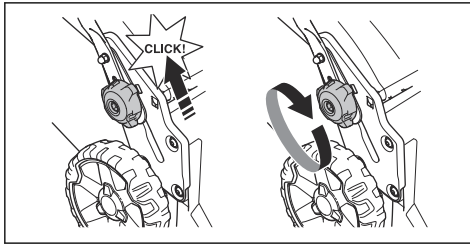


## Ställa in produkten i arbetsläge

1. Vik handtaget till upprätt läge.



2. Skjut vreden uppåt mot handtaget tills det tar stopp och du hör ett klick.



3. Dra åt vreden helt.



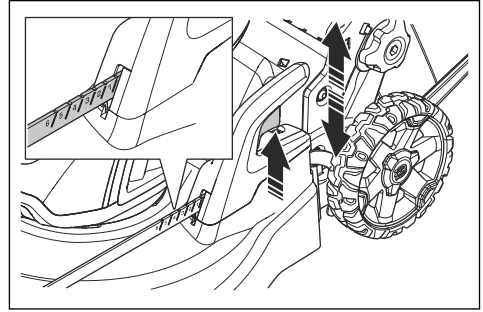
**VARNING:** Använd inte produkten om inte handtaget är helt uppfällt och inställt i något av de aktuella höjdlägena. Se *Justera handtaget på sida 649*.

## Ställa in klipphöjden

Klipphöjden kan justeras i sex nivåer.

1. Flytta klipphöjdsspaken nedåt för att sänka klipphöjden.

2. Flytta klipphöjdsspaken uppåt för att höja klipphöjden.



**OBSERVERA:** Ställ inte in för låg klipphöjd. Knivarna kan träffa marken om gräsmattans yta inte är plan.

## Batteri



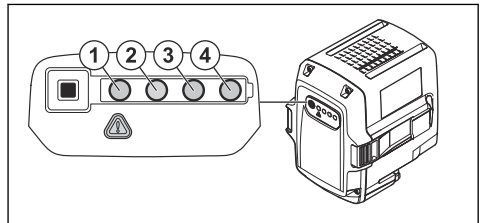
**VARNING:** Innan du använder batteriet måste du läsa igenom och förstå kapitlet om säkerhet. Du måste också läsa igenom och förstå den bruksanvisning som medföljer batteriet och batteriladdaren.

Förvara batteriet och batteriladdaren i rätt omgivningstemperatur.

	Omgivningstemperatur
Användning av batteri	5–40 °C
Laddning av batteri	5–40 °C

## Batteristatus

Displayen visar den återstående batterikapaciteten och om det föreligger problem med batteriet. Batterikapaciteten visas i fem sekunder efter att produkten har stängts av eller batteriindikatornappen har tryckts in. Varningsymbolen på batteriet tänds när ett fel har inträffat. Se *Batteri på sida 658*.



Lysdioder	Batteristatus
Alla lysdioder är tända	Fulladdat (75–100 %)

Lysdioder	Batteristatus
Lysdiod 1, 2 och 3 lyser	Batteriet är 50–75 % laddat
Lysdiod 1 och 2 lyser	Batteriet är 25–50 % laddat
Lysdiod 1 lyser	Batteriet är 0–25 % laddat.
Lysdiod 1 blinkar	Batteriet är tomt. Ladda batteriet.

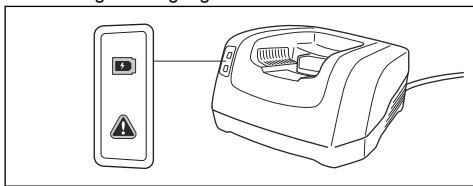
## Ladda batteriet

Ladda batteriet före första användning. Batteriet är endast 30 % laddat när det levereras till kunden.

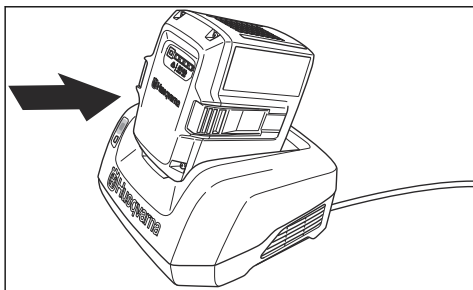
**Notera:** Batteriladdaren måste vara kopplad till den spänning och frekvens som anges på typskylten.

Batteriet laddas inte om batteritemperaturen är över 50 °C. Batteriladdaren sänker batteriets temperatur innan den börjar ladda.

1. Anslut den ena änden av batteriladdarens nätsladd till batteriladdarens uttag.
2. Anslut den andra änden av batteriladdarens nätsladd till ett jordat eluttag. Lysdioden på batteriladdaren blinkar grönt en gång.



3. Sätt i batteriet i batteriladdaren. Den gröna lampan på laddaren tänds när batteriet är korrekt anslutet till laddaren.



4. När alla lysdioder på batteriet lyser är batteriet fulladdat. Ladda batteriet i högst 24 timmar.
5. Koppla bort batteriladdaren ur vägguttaget genom att dra i kontakten, inte i nätsladden.
6. Ta ut batteriet ur batteriladdaren.

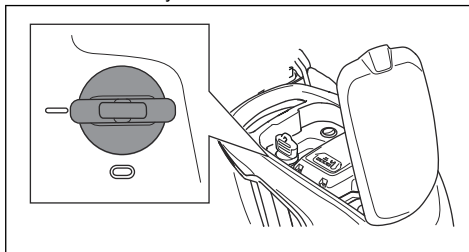
## Batteriladdningsstatus

Ett litiumjonbatteri från Husqvarna kan laddas eller användas vid alla laddningsnivåer. Batteriet inte är skadat. Ett fulladdat batteri laddas inte ur även om batteriet sitter kvar i laddaren.

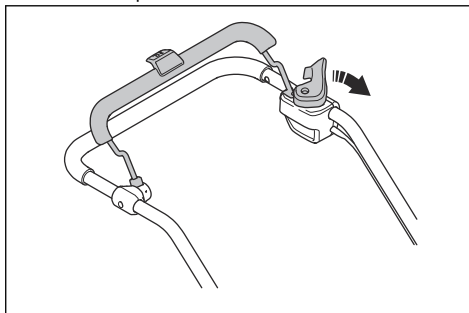
LED-display	Laddningsstatus
Lysdiod 1 blinkar	0–25 %
Lysdiod 1 lyser, 2 blinkar	25–50%
Lysdioderna 1 och 2 lyser, 3 blinkar	50–75 %
Lysdioderna 1, 2 och 3 lyser, 4 blinkar	75–100%
Lysdioderna 1, 2, 3 och 4 lyser	Fulladdat

## Starta produkten (LC 247i)

1. Öppna batteriluckan.
2. Sätt i ett laddat batteri i ett av batterifacken. För längre drifttid sätter du ett andra laddat batteri i det andra batterifacket.
3. Vrid säkerhetsnyckeln till 1.

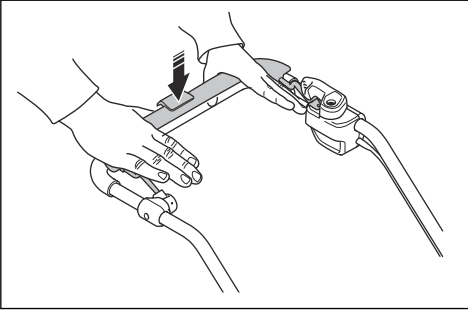


4. Stå bakom produkten.
5. Lossa startspärren.

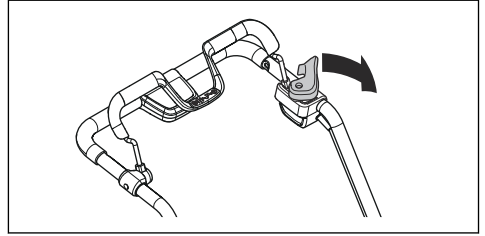




6. Tryck motorbromsbygeln i handtagets riktning.

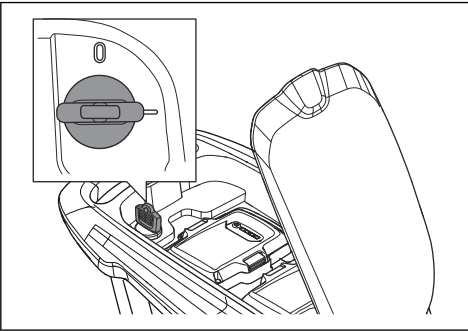


6. Lossa startspärren.

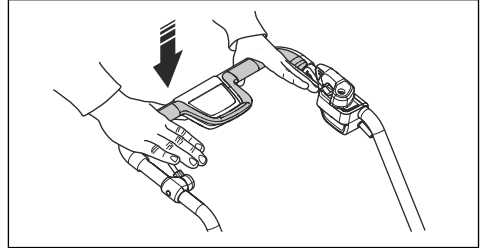


## Starta produkten (LC 347iVX, LC 353iVX)

1. Öppna batteriluckan.
2. Sätt i ett laddat batteri i ett av batterifacken. För längre drifttid sätter du ett andra laddat batteri i det andra batterifacket.
3. Vrid säkerhetsnyckeln till 1.

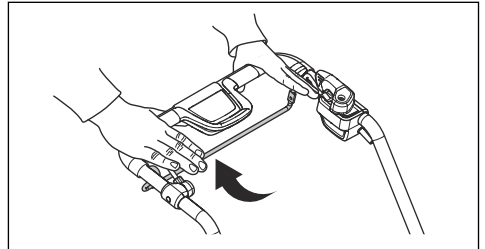


7. Tryck motorbromsbygeln i handtagets riktning.



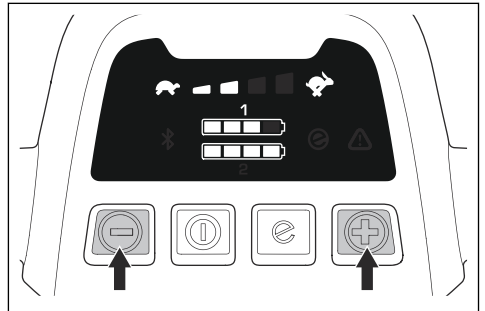
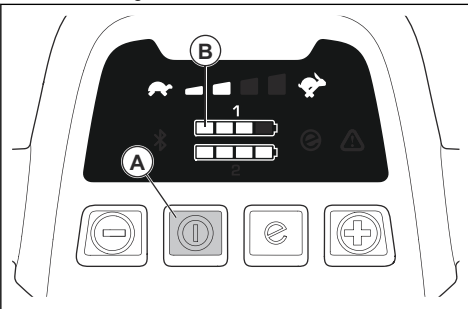
## Använda drivningen på hjulen (LC 347iVX, LC 353iVX)

- Dra drivbygeln i handtagets riktning för att starta drivningen.



4. Stå bakom produkten.
5. Tryck på PÅ/AV-knappen (A) på reglagepanelen. Displayen tänds. Batteriindikatorn (B) visar batteriernas laddningsnivå. Numret på det batteri som används visas intill batteriindikatorn. För modellerna LC 347iVX, LC 353iVX visas även inställd hastighet.

- Tryck på + och – på reglagepanelen för att ange hastigheten i fyra steg.

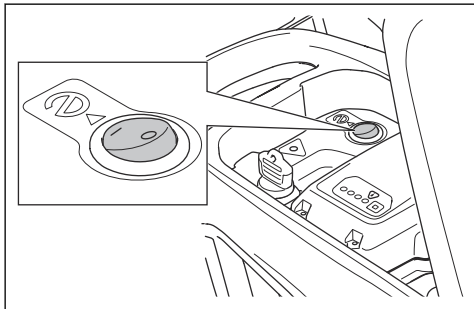


- Släpp drivbygeln för att koppla ur drivningen, t.ex. när du går nära ett hinder.

## Använda SavE™-funktionen (LC 247i)

Produkten har en batterisparfunktion (SavE™) som ger längre drifttid.

- Tryck SavE™-knappen till läge 1 för att starta funktionen.



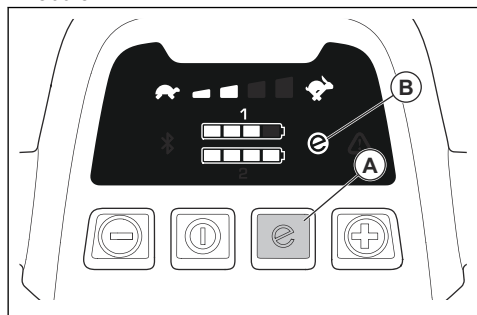
- Tryck SavE™ -knappen till läge 0 för att stoppa funktionen.

**Notera:** SavE™-funktionen stängs automatiskt av om markförhållandena kräver högre effekt. SavE™-funktionen startas automatiskt igen när markförhållandena tillåter.

## Använda SavE™-funktionen (LC 347IVX, LC 353IVX)

Produkten har en batterisparfunktion (SavE™) som ger längre drifttid.

1. Tryck på SavE™-knappen (A) för att starta funktionen. SavE™-symbolen (B) på displayen tänds.
2. Tryck på SavE™-knappen igen för att stoppa funktionen. SavE™-symbolen (B) på displayen släcks.



**Notera:** SavE™-funktionen stängs automatiskt av om markförhållandena kräver högre effekt. SavE™-funktionen startas automatiskt igen när markförhållandena tillåter.

## Funktion för hög belastning

När produkten klipper högt eller vått gräs ökar motorn automatiskt varvtalet. Motorn återgår till standardläge när hög belastning inte längre behövs.

## Automatisk omstart

Under drift kan kniven och motorn tillfälligt stanna på grund av hinder, till exempel gräsansamling under klippkåpan. Om detta inträffar och du håller motorbromshandtaget nedtryckt försöker produkten att starta om automatiskt. Om produkten inte startar om på fem sekunder kan det vara nödvändigt att göra rent under klippskyddet. Se *Rengöra produkten på sida 656*.



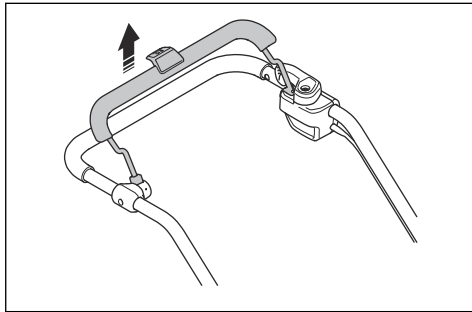
**VARNING:** Innan du kontrollerar klippkåpan: Släpp motorbromsbygeln, vrid säkerhetsnyckeln till 0, ta ut batteriet och vänta i minst fem sekunder. Det finns risk för skador om hindret tas bort och produkten oavsiktligt startar.

## Stoppa produkten (LC 247i)

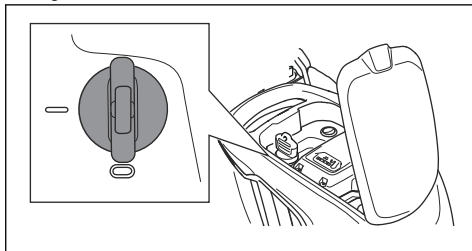


**VARNING:** Vrid säkerhetsnyckeln till 0 innan du lämnar produkten utom synhåll.

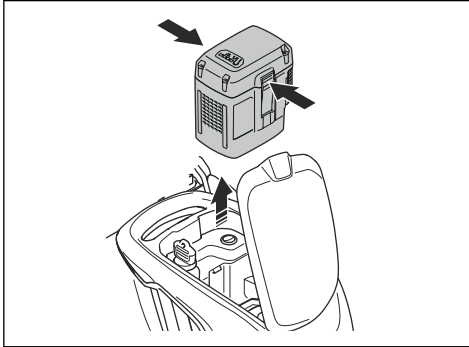
1. Släpp motorbromsbygeln för att stänga av motorn.



2. Öppna batteriluckan och vrid säkerhetsnyckeln till läget 0.



3. För att ta bort batteriet trycker du på de två frigöringsknapparna och drar ut batteriet.



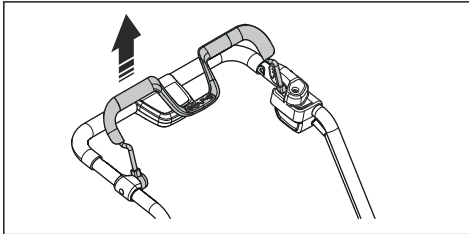
4. Ladda batteriet om det är svagt. För vidare information se *Ladda batteriet på sida 652*.

## Stoppa produkten (LC 347iVX, LC 353iVX)

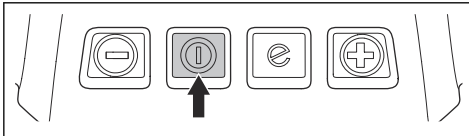


**VARNING:** Vrid säkerhetsnyckeln till 0 innan du lämnar produkten utom synhåll.

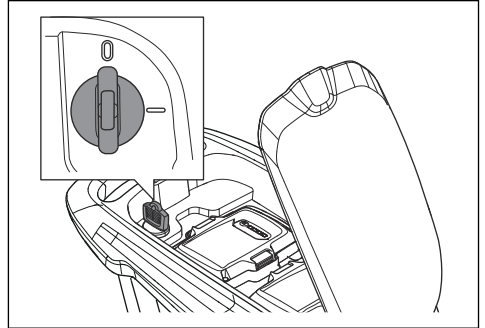
1. Släpp motorbromsbygeln för att stänga av motorn.



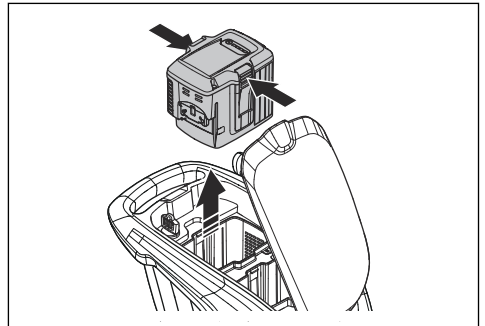
2. Tryck på PÅ/AV-knappen på reglagepanelen. Alla lysdioder och symboler på displayen släcks.



3. Öppna batteriluckan och vrid säkerhetsnyckeln till läget 0.



4. För att ta bort batteriet trycker du på de två frigöringsknapparna och drar ut batteriet.



5. Ladda batteriet om det är svagt. För vidare information se *Ladda batteriet på sida 652*.

**Notera:** Produkten stängs av automatiskt om du inte använder den på några minuter. Starta produkten igen, se *Starta produkten (LC 347iVX, LC 353iVX) på sida 653*.

## Få ett bra resultat

- Använd alltid en vass kniv. En slö kniv ger ett ojämnt resultat och gräsets snittyta blir gul. En vass kniv förbrukar mindre energi än en slö kniv.
- Klipp inte mer än en tredjedel av gräsets längd. Klipp först med hög klipphöjd. Undersök resultatet och sänk klipphöjden till en lämplig nivå. Om gräset är väldigt långt kan du köra sakta och klippa två gånger vid behov.
- Klipp i olika riktningar varje gång för att undvika ränder i gräsmattan.
- Håll klippkåpan ren. Ansamling av gräs och smuts på insidan av klippkåpan kan försämra klippresultatet. Se *Rengöra produkten på sida 656*.

## Klippa gräset utan en gräsuppsamlare eller mulchingplugg monterad

- Lyft upp den bakre kåpan och ta loss gräsuppsamlaren.

- Om en mulchingplugg och en mulchingkniv är monterade tar du bort dem.
- Stäng den bakre kåpan innan du använder produkten.

När du använder produkten kastas gräsclippet ut under den bakre kåpan.

## Underhåll

### Inledning



**WARNING:** Innan du utför underhåll måste du läsa och förstå kapitlet om säkerhet.

För allt service- och reparationsarbete på produkten krävs särskild utbildning. Vi garanterar att du kan få en fackmannamässig reparation och service utförd. Om din återförsäljare inte är en serviceverkstad kan du tala med dem för information om närmaste serviceverkstad.

Mer information finns här i [www.husqvarna.com](http://www.husqvarna.com).

### Underhållsschema

Underhållsintervallen beräknas utifrån daglig användning av produkten. Intervallen ändras om produkten inte används dagligen.

För underhåll som markeras med \* ska du se anvisningarna i *Säkerhet på sida 643*.

	Varje användning	Varje månad	Varje säsong
Utför en allmän inspektion	X		
Rengör produkten	X		
Kontrollera startspärren*	X		
Kontrollera att produktens säkerhetsanordningar inte är defekta*	X		
Kontrollera skärutrustningen	X		
Kontrollera klippkåpan*	X		
Kontrollera motorbromsbygeln*	X		
Se till att PÅ/AV-knappen fungerar som den ska och inte är defekt	X		
Undersök om det finns några skador på batteriet	X		
Kontrollera batteriladdningen	X		
Se till att frigöringsknapparna på batteriet fungerar och låser fast batteriet i produkten	X		
Undersök om batteriladdaren har skador och se till att den fungerar som den ska.		X	
Undersök anslutningarna mellan batteriet och produkten. Undersök även anslutningen mellan batteriet och batteriladdaren.			X

### Allmän inspektion

- Se till att skruvar och muttrar på produkten är åtdragna.
- Se till att produktens kablar inte är i ett läge där de kan skadas.

### Rengöra produkten

- Rengör plastdelar med en ren och torr trasa.
- Använd inte vatten för att rengöra produkten. Vatten kan tränga in i batteriet eller motorn och orsaka kortslutning eller skada på produkten.
- Undvik att använda högtrycksvätt när du rengör maskinen.
- Spola inte vatten direkt på motorn.

- Använd en borste för att ta bort löv, gräs och smuts.

## Rengöra batteriet och batteriladdaren



**VARNING:** Rengör inte batteriet eller batteriladdaren med vatten.

- Se till att batteriet och batteriladdaren är rena och torra innan du sätter i batteriet i batteriladdaren.
- Rengör batteripolerna med tryckluft eller med en mjuk, torr trasa.
- Rengör ytorna på batteriet och batteriladdaren med en mjuk, torr trasa.

## Kontrollera skärutrustningen



**VARNING:** Förhindra oavsiktlig start genom att vrida säkerhetsnyckeln till 0, ta bort batteriet och vänta minst fem sekunder.



**VARNING:** Använd skyddshandskar när du utför underhåll på skärutrustningen. Kniven är mycket vass och skärskador uppstår lätt.

1. Kontrollera så att skärutrustningen inte är skadad eller har sprickor. Byt alltid ut skadad skärutrustning.
2. Titta på kniven för att se om den är skadad eller slö.

**Notera:** Kniven måste balanseras när den har slipats. Låt en serviceverkstad slipa, byta och balansera kniven. Om du träffar ett hinder som gör att produkten stannar ska du byta ut den skadade kniven. Låt serviceverkstaden bedöma om kniven kan slipas eller måste ersättas.

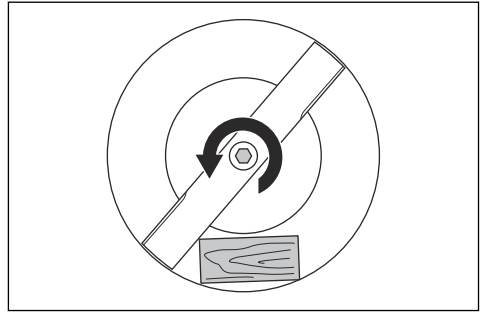
## Byta knivar

Se *Tekniska data* på sida 661 för rätt typ av kniv.

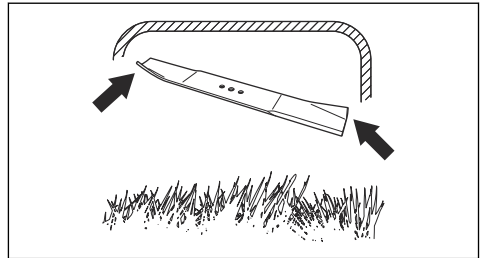


**VARNING:** Lås fast kniven med en träbit för att förhindra skador på fingrarna vid knivbyte. Kniven kan förflyttas när motorn är avstängd och fingrarna fastna mellan kniven och de fasta delarna.

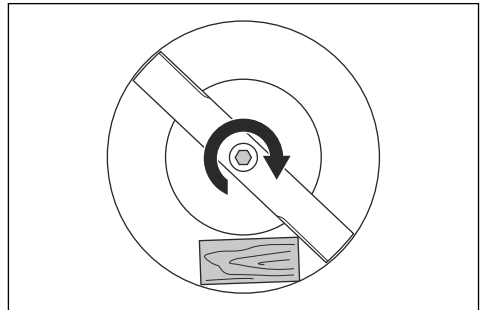
1. Lås kniven med en träbit.



2. Ta bort knivbulten.
3. Tag bort kniven.
4. Kontrollera knivstödet och knivbulten för att se om det finns skador.
5. Kontrollera motoraxeln för att se till att den inte är böjd.
6. När du monterar en ny kniv ska du rikta knivens vinkelade ändar mot klippkåpan.



7. Se till att kniven är i linje med motoraxelns mitt.
8. Lås kniven med en träbit. Montera fjäderbrickan och dra åt bulten och brickan med ett vridmoment på 23–28 Nm.



9. Dra runt kniven för hand och se till att den roterar fritt.



**VARNING:** Använd kraftiga arbetshandskar. Kniven är mycket vass och skärskador uppstår lätt.

10. Starta produkten för att testa kniven. Om kniven inte är korrekt monterad känner du vibrationer i produkten eller så är klippresultat otillfredsställande.

---

## Felsökning

---

### Batteri

Lysdiod på batteriet	Orsak	Lösning
Den gröna lysdioden blinkar.	Batterispänningen är låg.	Ladda batteriet. Se <i>Ladda batteriet på sida 652</i> .
Lysdioden för fel blinkar.	Batteriet är svagt.	Ladda batteriet. Se <i>Ladda batteriet på sida 652</i> .
	Temperaturen i arbetsmiljön är för hög eller för låg.	Använd batteriet vid temperaturer mellan 5 och 40 °C.
	Överspänning.	Se till att nätspänningen stämmer med den som anges på produktens typskylt. Ta ut batteriet ur batteriladdaren. Vänta fem sekunder och försök att ladda batteriet igen. Om problemet kvarstår kontaktar du en godkänd serviceverkstad.
Lysdioden för fel lyser.	För stor cellskillnad (1 V).	Tala med en godkänd serviceverkstad.

### Batteriladdare

Lysdiod på batteriladdaren	Orsak	Lösning
Lysdioden för fel blinkar.	Temperaturen i arbetsmiljön är för hög eller för låg.	Använd batteriladdaren i temperaturer mellan 5 och 40 °C.
Lysdioden för fel lyser.		Tala med en godkänd serviceverkstad.

### Gräsklippare

Varningsindikatorn (varningslampan) finns under batterilocket ((LC 247i)) eller på kontrollpanelen ((LC 347iVX, LC 353iVX)).

Problem	Varningslampan (antal blinkningar)	Orsak	Lösning
Varningslampan blinkar. Produkten fungerar inte som den ska.	3	Kniven är igensatt.	Vrid säkerhetsnyckeln till 0 för att förhindra oavsiktlig start. Ta ut batteriet och vänta minst fem sekunder. Avlägsna eventuella hinder och se till att kniven kan rotera fritt. Om problemet kvarstår kontaktar du en godkänd serviceverkstad.
	5	Motorns varvtal sjunker för mycket och motorn stängs av.	Öka klipphöjden. Se <i>Ställa in klipphöjden på sida 651</i> .
	6 <sup>101</sup>	Hjulen eller transmissionen är blockerade.	Vrid säkerhetsnyckeln till 0 för att förhindra oavsiktlig start. Ta ut batteriet och vänta minst fem sekunder. Avlägsna eventuella hinder och se till att hjulen kan rotera fritt. Om problemet kvarstår kontaktar du en godkänd serviceverkstad.
	10	Motorstyrningen är för varm.	Stäng av motorn och vänta tills den har svalnat.
Varningslampan blinkar. Produkten stannar.	0	Batterianslutningsfel.	Undersök batterianslutningen.
	3	Motorn är överbelastad.	Öka klipphöjden. Se <i>Ställa in klipphöjden på sida 651</i> .
	8	Batteriet är svagt.	Ladda batteriet. Se <i>Ladda batteriet på sida 652</i> .
	9	Batterifel eller ingen signal från batteriet.	Sätt batteriet i produkten på rätt sätt och undersök batterianslutningen. Om varningslampan på batteriet blinkar. Se <i>Batteri på sida 658</i> .
	12	Felaktigt startförfarande. Motorns bromshandtag har aktiverats innan motorn startar.	Släpp motorns bromshandtag och vänta cirka fem sekunder. Tryck ner motorns bromshandtag igen för att starta produkten.
Andra fel.	Om andra fel uppstår vrider du säkerhetsnyckeln till 0, tar bort batteriet och kontaktar en godkänd serviceverkstad.		

## Transport, förvaring och kassering

### Introduktion



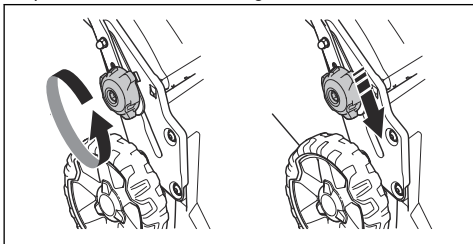
**WARNING:** Förhindra oavsiktlig start vid transport genom att vrida säkerhetsnyckeln till 0, ta bort batteriet och vänta minst fem sekunder.

### Ställa in produkten i transportläge

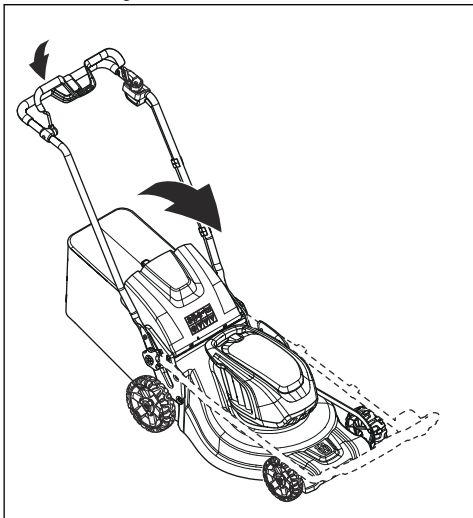
1. Lossa de nedre vreden.

<sup>101</sup> LC 347iVX, LC353iVX

2. Flytta vreden till den nedre delen av spåren på produktens vänstra och högra sida.



3. Vik handtaget framåt.



4. Ta bort gräsupsamlaren.

## Transport

- Kraven i lagstiftningen för farligt gods gäller för de medföljande litiumjonbatterierna.
- För kommersiella transporter måste särskilda krav på förpackning och etiketter följas.
- Se till att du följer kraven gällande farligt material när du förbereder produkten för transport. Lokala föreskrifter kan gälla.
- Ta alltid loss alltid batteriet vid transport.
- Sätt tejp på batterikontakterna och se till att batteriet inte kan röra sig under transport.
- Sätt fast produkten under transport.

## Lagerförvaring

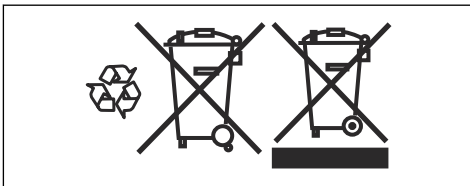
- Låt produkten svalna innan du ställer undan den.

- Ta alltid ut batteriet vid förvaring.
- Förhindra olyckor genom att se till att batteriet inte är kopplat till produkten vid förvaring.
- Förvara batteriladdaren på en sluten och torr plats.
- Förvara batteriet och batteriladdaren på en torr plats där det inte finns någon fukt eller frost.
- Koppla ur batteriet från batteriladdaren vid förvaring.
- Förvara inte batteriet där statisk elektricitet kan uppkomma. Förvara inte batteriet i en metallåda.
- Förvara produkten i temperaturer mellan  $-10$  och  $40$  °C.
- Förvara batteriet i temperaturer mellan  $5$  och  $25$  °C, inte i direkt solljus.
- Förvara batteriladdaren i temperaturer mellan  $5$  och  $45$  °C, inte i direkt solljus.
- Se till att batteriet är 30–50 % laddat innan du förvarar det under längre perioder.
- Förvara produkten, batteriet och batteriladdaren i ett låst utrymme utom räckhåll för barn och personer som inte är godkända.
- Rengör produkten och se till att gräsupsamlaren är tom.
- Utför underhåll enligt anvisningarna i den här bruksanvisningen. Se *Underhåll på sida 656*.
- Gör en fullständig service innan du ska ställa undan produkten under en längre tid.

## Kassering

Symbolen på produkten eller dess förpackning indikerar att denna produkt inte får hanteras som hushållsavfall. Istället ska den överlämnas till lämplig återvinningsstation för återvinning av elektrisk och elektronisk utrustning.

Genom att se till att denna produkt omhändertas ordentligt kan du hjälpa till att motverka potentiella negativa konsekvenser på miljö och människor, vilka annars kan orsakas genom oriktig avfallshantering av denna produkt. För mer detaljerad information om återvinning av denna produkt, kontakta din kommun, din hushållsavfallsservice eller affären där du köpte produkten.





## Tekniska data

### Tekniska data

	LC 247i	LC 347iVX	LC 353iVX
<b>Klippmotor</b>			
Typ av motor	BLDC (borstlös) 36 V	BLDC (borstlös) 36 V	BLDC (borstlös) 36 V
Motorvarvtal – SavE, varv/min	2 600/min	2 600/min	2 600/min
Motorvarvtal – nominellt, varv/min	3 000/min	3 000/min	3 000/min
Motorvarvtal – hög belastning, varv/min	3 500/min	3 500/min	3 500/min
Motoreffekt – max. kW	0,96	0,96	1,05
Motoreffekt – nominell, kW	0,75	0,75	0,9
<b>Drivmotor</b>			
Motoreffekt – nominell, kW	Ej tillämpligt	0,25	0,25
Självgående hastighet, km/h	Ej tillämpligt	3,0–4,5	3,0–4,5
Nivåer för varvtalsreglering	Ej tillämpligt	4	4
<b>Vikt</b>			
Vikt utan väska (exkl. batteri), kg	24,5	26	28
Vikt med väska (inkl. 2 st. BLi30), kg	30,5	32,0	34,5
<b>Batteri</b>			
Batterityp	Husqvarna Battery-serien		
<b>Batteritid</b>			
Batteritid, min, (fri drift) med SavE aktiverat, med ett Husqvarna 7,7 Ah-batteri (BLi30).	62	62	46
Batteritid, min, (fri drift) med standardläge aktiverat, med ett Husqvarna 7,7 Ah-batteri (BLi30).	43	43	28
<b>Emission av buller</b> <sup>102</sup>			
Ljudeffektnivå, uppmätt dB(A)	94	94	97
Ljudeffektnivå, garanterad L <sub>WA</sub> dB(A)	95	95	98
<b>Ljudnivåer</b> <sup>103</sup>			
Ljudtrycksnivå vid användarens öra, dB(A)	82	82	86
<b>Vibrationsnivåer</b> <sup>104</sup>			
Handtag, m/s <sup>2</sup>	0,42	0,42	2,64

<sup>102</sup> Emission av buller till omgivningen uppmätt som ljudeffekt (L<sub>WA</sub>) enligt EG-direktiv 2000/14/EG.

<sup>103</sup> Rapporterade data för ljudtrycksnivå har en osäkerhetsfaktor (K) på 1,5 dB(A).

<sup>104</sup> Rapporterade data för vibrationsnivå har en osäkerhetsfaktor (K) på 1,5 m/s<sup>2</sup>. Det deklarerade totala vibrationsvärdet har uppmätts i enlighet med SS-EN 62841-4-3, bilaga 1 och kan användas för jämförelse av en maskin med en annan samt vid en preliminär bedömning av exponering.

	LC 247i	LC 347iVX	LC 353iVX
<b>Skärutrustning</b>			
Klipphöjd, mm	20–75 mm	20–75 mm	20–75 mm
Klippbredd, cm	47	47	53
Kniv, standard	Uppsamling 5905934-10	Uppsamling 5905934-10	Uppsamling 5940757-10
Knivtillbehör	Mulch 5907010-10	Mulch 5907010-10	Mulch 5950072-10
Gräsuppsamlarens kapacitet, liter	55	55	60

Radiofrekvensdata för Bluetooth®	LC 247i	LC 347iVX	LC 353iVX
Frekvensband, GHz	Ej tillämpligt	2,4–2,4835	2,4–2,4835
Uteffekt, max. dBm	Ej tillämpligt	4	4

Godkända batterier	Typ	Batterikapacitet, Ah	Spänning, V	Vikt, lb/kg
BLi20	Litiumjonbatteri	4,0	36	2,6/1,2
BLi30	Litiumjonbatteri	7,7	36	4,2/1,9

Laddare som är godkända för de angivna batterierna, BLi	Ingående spänning, V	Frekvens, Hz	Effekt, W
QC80	100–240	50–60	80
40-C80	100–240	50–60	68,8
QC250	100–240	50–60	250

# Försäkran om överensstämmelse

## EU-försäkran om överensstämmelse

Vi, **Husqvarna AB**, 561 82 Huskvarna, Sverige, tel:  
+46-36-146500, försäkrar på eget ansvar att produkten:

<b>Beskrivning</b>	Gräsklippare
<b>Varumärke</b>	Husqvarna
<b>Typ/Modell</b>	LC 247i
<b>Identifiering</b>	Serienummer daterade 2021 och framåt

uppfyller alla krav i följande EU-direktiv och förordningar:

Direktiv/förordning	Beskrivning
2006/42/EG	"om maskiner"
2014/30/EU	"angående elektromagnetisk kompatibilitet"
2000/14/EG	"angående emission av buller till omgivningen"
2011/65/EU	"angående begränsning av användning av vissa farliga ämnen i elektrisk och elektronisk utrustning"

och att följande standarder och/eller tekniska specifikationer tillämpas: EN 62841-1:2015+AC:2015, EN 62841-4-3:2021+A11:2021, EN ISO 12100:2010, EN 55014-1:2017+A11:2020, EN 55014-2:2015, EN IEC 63000:2018.

Anmänt organ: 0404, RISE SMP Svensk Maskinprovning AB, Box 7035, SE-750 07 Uppsala har intygat överensstämmelse med rådets direktiv 2000/14/EG, procedur för utvärdering av överensstämmelse: bilaga VI.

För information om emission av buller, se *Tekniska data på sida 661*.

Huskvarna, 2021-12-01



Claes Losdal, utvecklingschef/trädgårdsprodukter,  
Husqvarna AB

Ansvarig för teknisk dokumentation



## EU-försäkran om överensstämmelse

Vi, **Husqvarna AB**, 561 82 Huskvarna, Sverige, tel:  
+46-36-146500, försäkrar på eget ansvar att produkten:

<b>Beskrivning</b>	Gräsklippare
<b>Varumärke</b>	Husqvarna
<b>Typ/Modell</b>	LC 347iVX, LC 353iVX
<b>Identifiering</b>	Serienummer daterade 2021-12-01 och framåt

uppfyller alla krav i följande EU-direktiv och förordningar:

Direktiv/förordning	Beskrivning
2006/42/EG	"om maskiner"
2014/53/EU	"angående radioutrustning"
2000/14/EG	"angående emission av buller till omgivningen"
2011/65/EU	"angående begränsning av användning av vissa farliga ämnen i elektrisk och elektronisk utrustning"

och att följande standarder och/eller tekniska specifikationer tillämpas: EN 62841-1:2015+AC:2015, EN 62841-4-3:2021+A11:2021, EN ISO 12100:2010, EN 55014-1:2017+A11:2020, EN 55014-2:2015, EN IEC 63000:2018, EN ETSI 300 328 v.2.2.2, EN 50663: 2017, ETSI EN 301 489-1 V2.2.3, ETSI EN 301 489-17 V3.2.4.

Anmält organ: 0404, RISE SMP Svensk Maskinprovning AB, Box 7035, SE-750 07 Uppsala har intygat överensstämmelse med rådets direktiv 2000/14/EG, procedur för utvärdering av överensstämmelse: bilaga VI.

För information om emission av buller, se *Tekniska data på sida 661*.

Huskvarna, 2021-12-01

Claes Losdal, utvecklingschef/trädgårdsprodukter,  
Husqvarna AB

Ansvarig för teknisk dokumentation



---

## Registrerade varumärken

---

Ordmärket och logotypen *Bluetooth*® är registrerade varumärken som ägs av *Bluetooth SIG, inc.*, och all användning av sådana märken av Husqvarna sker med licens.

---

## İçindekiler

---

Giriş.....	665	Sorun giderme.....	682
Güvenlik.....	667	Taşıma, depolama ve atma.....	683
Montaj.....	673	Teknik veriler.....	685
Çalışma.....	674	Uyumluluk Bildirimi.....	687
Bakım.....	680	Tescilli ticari markalar.....	688

---

## Giriş

---

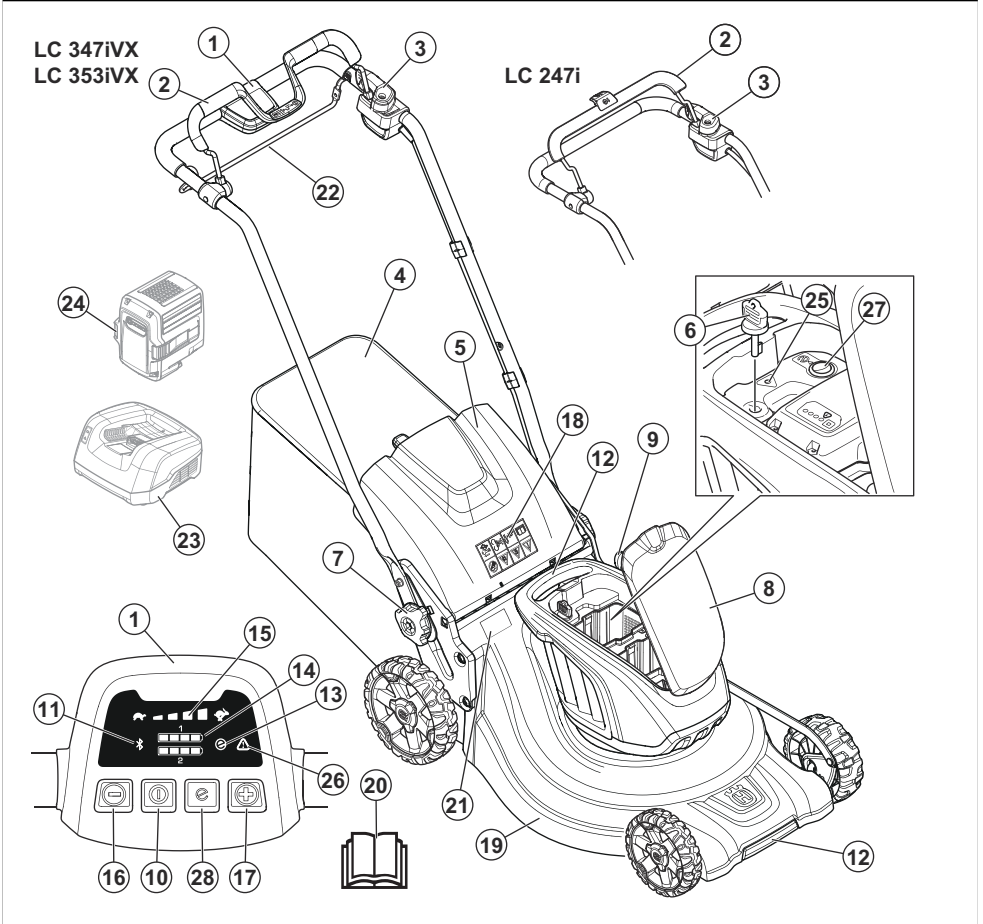
### Ürün açıklaması

Ürün, yaya kumandalı bir döner çim biçme makinesidir. Çim, çim toplama sepetinde toplanır. Çimin arkadan boşaltımı için çim toplama sepetini çıkarın. Çimi gübre haline getirmek için bir malç kiti (aksesuar) takın.

### Kullanım amacı

Ürünü çim biçmek için kullanın. Ürünü başka işler için kullanmayın.

## Ürüne genel bakış



1. Kontrol paneli (LC 347iVX, LC 353iVX)
2. Motor fren kolu
3. Başlatma engelleyici
4. Çim toplama sepeti
5. Arka kapak
6. Güvenlik anahtarı
7. Tutma yeri topuzu
8. Akü kapağı
9. Kesme yüksekliği kontrolü
10. ON/OFF düğmesi
11. Bluetooth® kablosuz teknoloji göstergesi
12. Kaldırma tutma yerleri
13. SavE göstergesi
14. Akü göstergesi
15. Hız seviyesi göstergesi (LC 347iVX, LC 353iVX)
16. Hız düşürme düğmesi (LC 347iVX, LC 353iVX)
17. Hız artırma düğmesi (LC 347iVX, LC 353iVX)
18. Semboller
19. Kesme kapağı
20. Kullanım kılavuzu
21. Nominal değerler plakası
22. Tahrik kolu (LC 347iVX, LC 353iVX)
23. Akü şarj cihazı (Aksesuar)
24. Akü (Aksesuar)
25. Hata LED'i (LC 247i)
26. Hata LED'i (LC 347iVX, LC 353iVX)
27. SavE düğmesi (LC 247i)
28. SavE düğmesi (LC 347iVX, LC 353iVX)

## Ürün üzerindeki semboller



UYARI



Talimatları okuyun.



UYARI - Fırlayan nesnelere karşı dikkatli olun.



Hiç kimsenin yaklaşmasına izin vermeyin.



UYARI – Ellerinizi ve ayaklarınızı bıçaklardan uzakta tutun.



UYARI – Bakımdan önce akünün bağlantısını kesin.



Ürün ya da ürünün ambalajı evsel atık değildir. Ürünü, elektrikli ve elektronik ekipmanlar için bir geri dönüşüm istasyonunda geri dönüştürün.



Ürün, geçerli AT direktiflerine uygundur.



AB ve Birleşik Krallık direktiflerine ve düzenlemelerine göre çevreye yayılan gürültü emisyonu etiketi. Ürünün garanti edilen ses gücü düzeyi *Teknik veriler*

*sayfada: 685* ve etiket üzerinde belirtilmiştir.

## IPX1

Ürün damla korumalıdır.



Durdurmak için motor fren kolunu serbest bırakın.



Taranabilir kod

**Not:** Ürünün üzerindeki diğer semboller/etiketler, bazı pazarların sertifikalandırma gereklilikleri ile ilgilidir.

## Ürün üzerindeki etiket



TEHLİKE – El ve ayaklarınızı uzak tutun.

## Ürün sorumluluğu

Ürün sorumluluğu yasalarında belirtildiği üzere;

- ürünün hatalı bir şekilde onarılması,
- ürünün, üretici tarafından onaylanmayan veya üreticiden alınmayan parçalarla tamir edilmesi,
- üründe, üreticiden alınmayan veya üretici tarafından onaylanmayan bir aksesuar bulunması,
- ve ürünün, onaylı bir servis merkezinde veya yetkili bir kurum tarafından tamir edilmemesi durumunda oluşabilecek hasarlardan sorumlu değildir.

## Güvenlik

### Güvenlik tanımları

Kılavuzdaki önemli kısımları vurgulamak için uyarılar ve notlar kullanılmıştır.



**UYARI:** Kılavuzdaki talimatlara uyulmadığı takdirde operatör veya çevredeki

kişiler için ciddi yaralanma veya ölüm tehlikesi varsa kullanılır.



**DİKKAT:** Kılavuzdaki talimatlara uyulmadığı takdirde ürünün, diğer malzemelerin veya çevrenin zarar görme riski olduğunda kullanılır.

**Not:** Belirli bir durumda bilgi verilmesi gerektiğinde kullanılır.

## Genel ürün güvenlik uyarıları



**UYARI:** Bu ürünle birlikte verilen tüm güvenlik uyarılarını, talimatları, çizimleri ve teknik özellikleri okuyun. Aşağıda listelenen talimatların göz ardı edilmesi elektrik çarpmasına, yangına ve/veya ciddi yaralanmaya neden olabilir.

**Tüm uyarı ve talimatları ilerde başvurmak üzere saklayın.** Uyarılardaki "ürün" şebeke akımıyla çalışan (kablolu) ürününüzü veya aküyle çalışan (kablesiz) ürününüzü belirtmektedir.

### Çalışma alanı güvenliği

- **Çalışma alanını temiz ve iyi aydınlatılmış tutun.** Kalabalık veya karanlık alanlar kazalara neden olabilir.
- **Ürünü yanıcı maddelerin, gazların veya tozların bulunduğu patlayıcı ortamlarda çalıştırmayın.** Ürün, toz veya gazı ateşleyebilecek kıvılcımlar çıkarır.
- **Ürünü kullanırken çocukları ve çevredekileri uzakta tutun.** Dikkatinizin dağılması, kontrolü kaybetmenize neden olabilir.

### Elektrik güvenliği

- **Ürün fişleri prize uygun olmalıdır.** Hiçbir zaman fişler üzerinde herhangi bir değişiklik yapmayın. Topraklı (topraklanmış) ürünlerle herhangi bir adaptör fiş kullanmayın. Değiştirilmemiş fişler ve uygun prizler, elektrik çarpması riskini azaltır.
- **Boru, radyatör, fırın, buzdolabı gibi topraklı yüzeylerle vücut temasından kaçının.** Vücudunuz topraklı ise elektrik çarpması riski artar.
- **Ürünleri yağmura veya ıslak koşullara maruz bırakmayın.** Ürüne su girdiğinde elektrik çarpması riski artar.
- **Kabloyu kötü kullanmayın.** Kabloyu asla ürünü taşımak, çekmek veya fişini çıkarmak için kullanmayın. Kabloyu ısıdan, yağdan, keskin kenarlardan veya hareketli parçalardan uzakta tutun. Hasar görmüş veya dolanmış kablolar, elektrik çarpması riskini artırır.
- **Ürünü dış mekanda kullanırken, dış mekan kullanımı için uygun bir uzatma kablosu kullanın.** Dış mekan için uygun bir kordon kullanmak, elektrik çarpması riskini azaltır.
- **Ürünü mutlaka nemli bir ortamda çalıştırmanız gerekiyorsa artık akım cihazı (RCD) korumalı bir güç kaynağı kullanın.** RCD kullanmak elektrik çarpması riskini azaltır.

### Kişisel güvenlik

- **Ürünü kullanırken tetikte olun, dikkatinizi yaptığınız işe verin ve sağduyulu olun.** Yorgunken veya

uyuşturucu, alkol ya da ilaç etkisi altındayken ürünü kullanmayın. Ürünleri kullanırken bir anlık bir dikkatsizlik, ciddi yaralanmaya neden olabilir.

- **Kişisel koruyucu ekipmanları kullanın.** Daima koruyucu gözlük takınız. Uygun durumlarda toz maskesi, kaymayan güvenlik ayakkabıları, çelik başlık veya kulak koruma ekipmanı gibi koruyucu ekipman kullanımı yaralanmaları azaltır.
- **İstlenmeyen çalıştırmaları önleyin.** Güç kaynağına ve/veya akü grubuna bağlamadan, ürünü kaldırmadan veya taşımadan önce anahtarın kapalı konumunda olduğundan emin olun. Ürünleri parmağınız çalıştırma düğmesindeyken taşımak veya açık elektrikli ürünlere enerji vermek kazalara yol açabilir.
- **Ürünü açmadan önce ayarlama anahtarlarını veya İngiliz anahtarlarını çıkartın.** Ürünün dönen kısmına takılı bırakılan İngiliz anahtarı veya anahtar yaralanmaya neden olabilir.
- **Makineyi kullanırken erişim alanınızın dışındaki yerlere uzanmaya çalışmayın.** Her zaman yere sağlam basın ve dengenizi koruyun. Bu, ürünün beklenmedik durumlarda daha iyi kontrolünü sağlar.
- **Gerektiği gibi giyinin** Bol elbise veya takı giymeyin. Saçınızı ve kıyafetinizi hareketli parçalardan uzakta tutun. Hareketli parçalar bol giysiler, takılar veya uzun saçlar takılabilir.
- **Cihazlar toz çekme ve toplama takımı bağlantısı ile geldiyse bunların bağlı olduğundan ve düzgün kullanıldığından emin olun.** Toz toplama özelliği tozla ilgili tehlikeleri azaltabilir.
- **Ürünleri sık kullanmanın verdiği aşinalıkla kendinizi rahat hissedip ürün güvenlik ilkelerini gözden düşürmeyin.** Dikkatsizce gerçekleştirilen işlemler bir anda ciddi yaralanmalara neden olabilir.

### Ürün kullanımı ve bakımı

- **Ürünü zorlamayın.** Yapacağınız iş için doğru ürünü kullanın. Doğru ürün, tasarlandığı oranda işi daha iyi ve güvenli yapar.
- **Anahtar, ürünü açıp kapatmıyorsa ürünü kullanmayın.** Anahtar ile kontrol edilemeyen ürünler tehlikelidir ve onarılmalıdır.
- **Herhangi bir ayarlama yapmadan, aksesuar değiştirmeden veya ürünleri depolamadan önce ürünün fişini güç kaynağından çekin ve/veya çıkarılabilirse akü grubunu çıkarın.** Bu tür önleyici güvenlik önlemleri, ürünün kazara çalıştırılma riskini azaltır.
- **Kullanılmayan ürünleri çocukların erişemeyeceği yerde saklayın ve ürüne veya bu talimatlara yabancı olan kişilerin ürünü çalıştırmasına izin vermeyin.** Ürünler, eğitimsiz kullanıcıların elinde tehlikelidir.
- **Ürün ve aksesuarların bakımını yapın.** Hareketli parçaların yanlış konumlandırılması veya bağlanması, parçaların kırılması ve ürünün çalışmasını etkileyebilecek herhangi bir durum olup olmadığını kontrol edin. Hasarlıysa kullanmadan önce ürünü tamir ettirin. Çoğu kaza yetersiz bakım yapılmış ürünlerden kaynaklanmaktadır.



- **Kesme araçlarını keskin ve temiz tutun.** Bakımı düzgün yapılmış, kesen tarafları yeterli keskinlikte olan kesme araçlarının takılması ihtimali daha az olup kontrol etmesi daha kolaydır.
- **Ürün, aksesuarlar, araç parçaları vb. bileşenleri, çalışma koşullarını ve yapılacak işi göz önünde bulundurarak bu talimatlara uygun şekilde kullanın.** Ürünün tasarlanan amaçlar dışında kullanılması tehlikeli bir duruma yol açabilir.
- **Tutma yerlerini ve kavrama yüzeylerini kuru, temiz, gres ve yağdan arındırılmış halde tutun.** Kaygan tutma yerleri ve kavrama yüzeyleri beklenmedik durumlarda ürünün güvenli şekilde kullanılmasına ve kontrol edilmesine izin vermez.

## Hizmet

- **Ürününüzün yalnızca aynı yedek parçalar kullanan uzman bir tamirci tarafından onarılması sağlayın.** Bu, ürünün güvenliğinin sağlanması için gereklidir.
- **Hasarlı akü gruplarına asla servis işlemi uygulamayın.** Akü gruplarının servis işlemleri yalnızca üretici veya yetkili servis sağlayıcıları tarafından gerçekleştirilmelidir.

## Akülü alet kullanımı ve bakımı

- **Sadece üreticinin belirttiği şarj aletiyle şarj edin.** Bir akü grubu için uygun olan bir şarj aleti başka bir akü grubuyla kullanıldığında yangın riski doğurabilir.
- **Ürünleri yalnızca özel olarak belirlenmiş akü gruplarıyla kullanın.** Farklı türde akü gruplarının kullanılması yangın ve yaralanma riski doğurabilir.
- **Akü grubu kullanımda değilken ataç, bozuk para, anahtar, çivi, vida veya diğer küçük metal cisimler gibi bir ucun başka bir uca bağlanmasına neden olabilecek cisimlerden uzak tutun.** Akü uçlarının kısa devre yapması vücudun yanmasına veya yangına neden olabilir.
- **Zorlayıcı koşullarda aküden elektrolit sızabilir; dokunmayın. Kazayla temas ederseniz bol suyla yıkayın.** Sıvı göze temas ederse ayrıca doktora başvurun. Aküden sızan sıvı cildin tahriş olmasına veya yanıklara neden olabilir.
- **Hasarlı veya değiştirilmiş bir akü grubu veya alet kullanmayın.** Hasarlı veya üzerinde değişiklik yapılmış aküler yangın, patlama ya da yaralanma riski ile sonuçlanabilecek beklenmedik davranışlar sergileyebilir.
- **Akü grubunu veya aleti ateşe veya aşırı sıcaklığa maruz bırakmayın.** Bunların ateşe veya 130°C/265°F üzeri sıcaklığa maruz kalması patlamaya neden olabilir.
- **Tüm şarj etme talimatlarına uyun ve akü grubunu ya da alet talimatlarında belirtilen sıcaklık aralığı dışında şarj etmeyin.** Belirtilen sıcaklık aralığının dışında veya hatalı olarak yapılan şarj işlemleri, aküye zarar verebilir ve yangın riskini artırabilir.

## Çim biçme makinesi güvenlik uyarıları

- **Çim biçme makinesini kötü hava koşullarında; özellikle de yıldırım düşmesi riski olduğu durumlarda kullanmayın.** Bu, bir yıldırım tarafından çarpılma riskini azaltır.
- **Çim biçme makinesinin kullanılacağı alandaki doğal hayatı dikkatlice inceleyin.** Çalışma sırasında doğal hayat, çim biçme makinesi nedeniyle zarar görebilir.
- **Çim biçme makinesinin kullanılacağı alanı dikkatlice kontrol edin; tüm taşları, dal parçalarını, telleri, kemikleri ve diğer yabancı nesnelere kaldırın.** Fırlayan nesnelere yaralanmalara neden olabilir.
- **Çim biçme makinesini kullanmadan önce daima bıçağın ve bıçak tertibatının aşınmış veya hasarlı olup olmadığını gözle kontrol edin.** Aşınmış veya hasarlı parçalar yaralanma riskini artırır.
- **Kullanmadan önce besleme kablosu ve herhangi bir uzatma kablosunda hasar veya eskime belirtileri olup olmadığını kontrol edin.** Kablo hasarlı veya aşınmışsa çim biçme makinesini kullanmayın. Kablo kullanım sırasında hasar görmüş veya aşınmışsa çim biçme makinesini kapatın ve güç kaynağından bağlantısını kesmeden önce kabloya dokunmayın. Hasarlı besleme kablosu veya uzatma kablosu elektrik çarpmasına, yangına ve/veya ciddi yaralanmaya neden olabilir.
- **Çim ayırıcıda yıpranma veya bozulma olup olmadığını sık sık kontrol edin.** Aşınmış veya hasarlı çim toplama sepeti, yaralanma riskini artırabilir.
- **Siperlikleri yerinde tutun. Siperlikler çalışır durumda olmalı ve düzgün şekilde monte edilmelidir.** Gevşek, hasarlı veya düzgün çalışmayan bir siperlik, yaralanmalara neden olabilir.
- **Tüm soğutma havası girişlerinde döküntü olmadığından emin olun.** Tıkalı hava girişleri ve döküntüler aşırı ısınmaya veya yangın riskine neden olabilir.
- **Çim biçme makinesini kullanırken her zaman kaymayan ve koruyucu ayakkabı giyin. Çim biçme makinesini çıplak ayakla veya açık sandalet giyerek kullanmayın.** Bu, ayakların hareket eden bıçağa temas etmesiyle oluşabilecek yaralanma olasılığını azaltır.
- **Çim biçme makinesini kullanırken her zaman uzun pantolon giyin.** Açıkta kalan cilt, fırlatılan nesnelere kaynaklanan yaralanma olasılığını artırır.
- **Çim biçme makinesini ıslak çimde kullanmayın. Yürüyün, asla koşmayın.** Bu, yaralanmaya neden olabilecek kayma ve düşme riskini azaltır.
- **Çim biçme makinesini aşırı dik eğimlerde kullanmayın.** Bu, yaralanmaya neden olabilecek kontrol kaybı, kayma ve düşme riskini azaltır.
- **Eğimli yerlerde çalışırken her zaman yere sağlam basın, makineyi eğimli yüzeye paralel kullanın, asla yukarı veya aşağı doğru kullanmayın ve yön değiştiren çok dikkatli olun.** Bu, yaralanmaya neden olabilecek kontrol kaybı, kayma ve düşme riskini azaltır.

- **Çim biçme makinesini geri hareket ettirirken veya kendinize doğru çekerken çok dikkatli olun. Her zaman çevrenize dikkat edin.** Bu, çalışma sırasında takılma riskini azaltır.
- **Besleme kablosunu keskin bıçaklardan uzakta tutun.** Hasarlı besleme kablosu elektrik çarpmasına, yangına ve/veya ciddi yaralanmaya neden olabilir.
- **Kablo dolanmış veya hasar görmüşse kapatın ve fişi prizden çekin.** Dolanmış veya hasarlı kablolar, elektrik şoku riskini artırır.
- **Hala hareket halindeyken bıçaklara ve diğer tehlikeli hareketli parçalara dokunmayın.** Bu, hareketli parçalardan kaynaklanan yaralanma riskini azaltır.
- **Sıkışmış malzemeyi temizlerken veya çim biçme makinesini temizlerken, tüm güç anahtarlarının kapalı olduğundan ve güç kablosunun çıkarıldığından emin olun.** Çim biçme makinesinin beklenmedik şekilde çalışması ciddi yaralanmalara neden olabilir.

koordinasyon ve doğru bir şekilde düşünmenizi olumsuz yönde etkiler.

- Arızalıysa ürünü kullanmayın.
- Başkaları tarafından değiştirilmiş olma olasılığı varsa bu ürünü değiştirmeyin veya kullanmayın.

## Çalışma güvenliği



**UYARI:** Ürünü kullanmadan önce aşağıdaki uyarı talimatlarını okuyun.

- Bu ürünü yalnızca çimenlik alanlarda çim kesmek için kullanın. Ürünün başka işler için kullanılması yasaktır.
- Kişisel koruyucu ekipmanlar kullanın. Bkz. *Kişisel koruyucu ekipman sayfa: 671.*
- Acil bir durumda motoru hızlı bir şekilde nasıl kapatacağınızı öğrenin.
- Ürünü yağmurda veya ıslak koşullarda çalıştırmayın. Ürünün içine su girerse elektrik çarpması riski artar.
- Bıçağı ve tüm kapakları doğru bir şekilde takmadan ürünü çalıştırmayın. Yanlış bir şekilde takılan bıçak gevşeyerek yaralanmanıza neden olabilir.
- Bıçağın taş veya kök gibi nesnelere çarpmamasına dikkat edin. Bu, bıçağa zarar verebilir ve motor milini bükebilir. Bükülmüş aks, ağır titreşime ve çok yüksek bir bıçak gevşemesi riskine neden olabilir.
- Bıçak bir cisme çarpar veya titreşim olursa ürünü hemen durdurun. Motoru durdurun, güvenlik anahtarını 0 konumuna getirin ve aküyü çıkarın. Hareketli parçalar durana kadar bekleyin. Üründe hasar olup olmadığını kontrol edin. Gevşek parçaları sıkın. Hasarlı olanları ve hasarlı parçaları değiştirin. Onarımı yetkili bir servis noktasına yaptırın.
- Motor çalıştırıldığında motor fren kolunu asla sürekli olarak kola takmayın.
- Ürünü sabit ve düz bir yüzeye koyup çalıştırın. Bıçağın yere veya diğer cisimlere çarpmadığından emin olun.
- Ürünü çalıştırırken her zaman arkasında durun.
- Ürünü kullanırken tüm tekerleklerin yere basmasını sağlayın ve 2 elinizi kolun üzerinde tutun. El ve ayaklarınızı döner bıçaklardan uzak tutun.
- Motoru çalıştırırken veya ürünün çalışması sırasında ürünü eğmeyin.
- Ürünü arkaya doğru çekerken dikkatli olun.
- Motor çalışırken ürünü hiçbir zaman yukarı kaldırmayın. Ürünü kaldırmamız gerekiyorsa öncelikle motoru durdurun, güvenlik anahtarını 0 konumuna getirin ve aküyü çıkarın.
- Ürünü kullanırken arkaya doğru yürümeyin.
- Ürünü taşımak için yatırmanız gerektiğinde veya çim bulunmayan alanlarda (örneğin çakıl, taş ve asfalttan yapılan yollar) hareket etmeden önce motoru durdurun.
- Motor çalışırken ürünle birlikte koşmayın. Ürünü kullanırken her zaman yürüyün.

## Artık akım cihazı

- Maksimum 30 mA kesme akımı olan bir artık akım cihazı kullanın.

## Genel güvenlik talimatları



**UYARI:** Ürünü kullanmadan önce aşağıdaki uyarı talimatlarını okuyun.

- Bu ürün yanlış kullanıldığında veya dikkatli olmazsanız tehlikelidir. Güvenlik talimatlarına uyulmaması yaralanmalara veya ölüme yol açabilir.
- Bu ürün, çalışırken elektromanyetik bir alan oluşturur. Bu alan, bazı koşullarda aktif veya pasif tıbbi implantlarda girişime neden edebilir. Ciddi veya ölümcül yaralanma riskini azaltmak için tıbbi implantı olan kişilerin, bu ürünü kullanmadan önce doktorlarına ve tıbbi implant üreticilerine danışmalarını öneririz.
- Her zaman dikkatli olun ve sağduyunuzu kullanın. Özel bir durumda aracı nasıl kullanacağınızdan emin değilseniz durun ve devam etmeden önce Husqvarna yetkili satıcınızla görüşün.
- Diğer insanları veya bu insanlara ait mülkleri içeren kazalardan operatörün sorumlu tutulacağını unutmayın.
- Ürünü temiz tutun. İşaretleri ve etiketleri net bir şekilde okuyabildiğinizden emin olun.
- Çocukların veya bu kullanma talimatlarını bilmeyen kişilerin cihazı kullanmasına asla izin vermeyin. Yerel yönetmeliklerde operatör yaşı konusunda bir sınırlama olabilir.
- Fiziksel veya zihinsel kapasitesi düşük olan bir kişi ürünü kullanırken bu kişiyi daima gözetim altında tutun. Sorumluluk sahibi bir yetişkin her zaman orada olmalıdır.
- Ürünü yorgun, hasta veya alkol ya da ilaç etkisi altındayken kullanmayın. Bu durum görüş, dikkat,

- Kesme yüksekliğini değiştirmeden önce motoru durdurun. Motor çalışırken asla ayarlama yapmayın.
- Motor çalışırken ürünün görüş alanından çıkmasını asla izin vermeyin. Motoru durdurun ve kesme donanımının dönmediğinden emin olun.
- Çalışma sırasında üründeki titreşimler, *Teknik veriler sayfa: 685* bölümünde belirtilen titreşim değerinden farklı olabilir. Fark, ürünün kullanım şeklindeki değişikliklerden kaynaklanır. Ürünü sıklıkla veya uzun süre kullanıyorsanız titreşimlerden kaynaklanabilecek yaralanmaları önlemek için düzenli olarak mola verin.

## Kullanım için güvenlik talimatları

### Kişisel koruyucu ekipman



**UYARI:** Ürünü kullanmadan önce aşağıdaki uyarı talimatlarını okuyun.

- Kişisel koruyucu ekipmanlar yaralanma riskini tamamen engelleyemez ancak bir kaza durumunda yaralanmanın derecesini azaltır. Bayinizin doğru ekipmanı seçmenize yardımcı olmasını sağlayın.
- Ağır hizmet tipi kaymayan botlar veya ayakkabılar kullanın. Açık ayakkabılar giymeyin veya çıplak ayakla yürümeyin.
- Kalın, uzun pantolonlar giyin.
- Kesme donanımını takma, kontrol etme veya temizleme gibi gerekli durumlarda koruyucu eldivenler kullanın.
- Kulak koruma ekipmanı kullanmanızı öneririz.

### Ürünün üzerindeki güvenlik aletleri



**UYARI:** Ürünü kullanmadan önce aşağıdaki uyarı talimatlarını okuyun.

- Güvenlik araçları arızalı olan bir ürünü kullanmayın.
- Güvenlik cihazlarını çıkarmayın veya cihazların üzerinde değişiklik yapmayın.
- Güvenlik araçlarını düzenli olarak kontrol edin. Güvenlik araçları arızalıysa Husqvarna servis noktanızla görüşün.

### Kesme kapağını kontrol etme

Kesme kapağı, üründeki titreşimleri ve bıçakla yaralanma riskini azaltır.

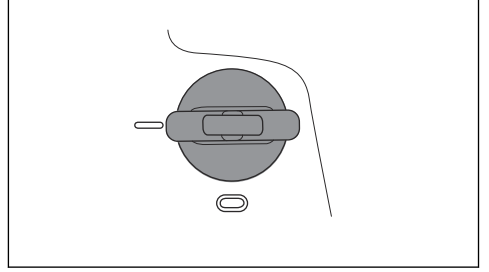
- Çatlak gibi hasarlar olmadığından emin olmak için kesme kapağını inceleyin.

### Güvenlik anahtarını kontrol etme

Güvenlik anahtarı, akü kapağının altındadır. Güvenlik anahtarı, motora güç sağlayan aküye bağlanır.

- Güvenlik anahtarını kontrol etmek için motoru çalıştırın ve durdurun.

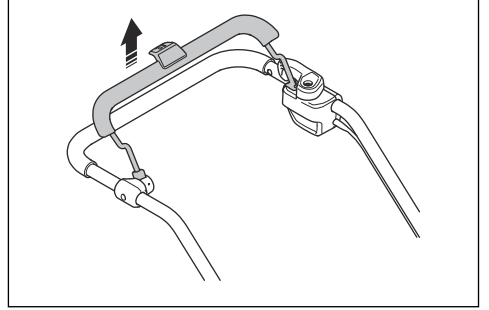
- Güvenlik anahtarı doğru çalışıyorsa motor sadece güvenlik anahtarı 1 konumuna getirildiğinde çalışır.



### Motor freni tutma yerini kontrol etme

Motor fren kolu motoru durdurur. Motor fren kolu serbest bırakıldığında motor durur.

- Ürünü çalıştırın. Bkz. *Çalışma sayfa: 674*.
- Motor fren kolunu serbest bırakın.

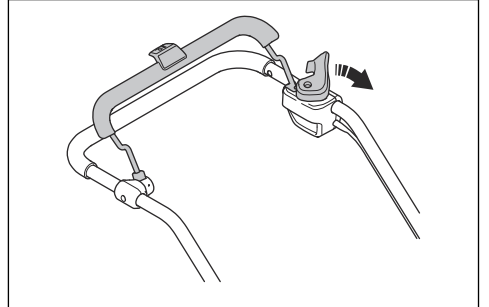


- Ürünün durduğundan emin olun. Motor 3 saniye içinde durmazsa motor frenini onaylı bir Husqvarna servis noktasına ayarlatın.

### Başlatma engelleyiciyi kontrol etme

Motorun çalışmasını engellediğinden emin olmak için başlatma engelleyiciyi kontrol edin.

1. Motor freni kolunu gidonun yönünde itin. Başlatma engelleyici hareketi durdurur.
2. Başlatma engelleyiciyi dışarı doğru itin.



3. Başlatma engelleyiciyi serbest bırakın ve başlangıç konumuna geri döndüğünden emin olun.

## Akü güvenliği



**UYARI:** Ürünü kullanmadan önce aşağıdaki uyarı talimatlarını okuyun.

- Yalnızca ilgili Husqvarna ürünleri için güç kaynağı olarak Husqvarna şarj edilebilir akülerini kullanın. Yaralanmayı önlemek için aküyü başka cihazların güç kaynağı olarak kullanmayın.
- Şarj edilebilir olmayan akü kullanmayın.
- Elektrik çarpması riski. Akü terminallerini anahtarlar, madeni paralara, vidalara veya diğer metallere bağlamayın. Bu, aküde kısa devreye neden olabilir.
- Akünün hava deliklerine herhangi bir nesne koymayın.
- Aküyü doğrudan güneş ışığından, ısı kaynaklarından veya açık alevden uzak tutun. Akü patlayabilir ve yanıklara ve/veya kimyasal yanıklara neden olabilir.
- Aküyü yağmurdan ve ıslak koşullardan uzak tutun.
- Aküyü mikrodalgalardan ve yüksek basınçtan uzak tutun.
- Aküyü parçalarına ayırmaya veya kırmaya çalışmayın.
- Aküde sızıntı varsa sıvının vücudunuza veya gözlerinize temas etmesine izin vermeyin. Sıvıya dokundusanız etkilenen bölgeyi bolca suyla yıkayın ve tıbbi yardım alın.
- Üründeki aküyü yalnızca ortam sıcaklığı 5°C ile 40°C arasında olduğunda kullanın.
- Akü şarj cihazını yalnızca ortam sıcaklığı 5°C ile 40°C arasında olduğunda kullanın.
- Akü sıcaklığı 50°C'nin üzerindeyse akü şarj olmaz.
- Aküyü veya akü şarj cihazını suyla temizlemeyin. Bkz. *Aküyü ve şarj cihazını temizlemek için sayfada: 680.*
- Hatalı veya hasarlı aküleri kullanmayın.
- Aküleri çivi, madeni para, mücevher gibi metal nesnelere uzak bir yerde saklayın.

## Akü şarj cihazı güvenliği



**UYARI:** Ürünü kullanmadan önce aşağıdaki uyarı talimatlarını okuyun.

- QC akü şarj cihazlarını yalnızca Husqvarna yedek akülerini şarj etmek için kullanın.
- Elektrik çarpması veya kısa devre riski. Şarj cihazının hava deliklerine herhangi bir nesne koymayın. Akü şarj cihazını parçalarına ayırmaya çalışmayın. Şarj cihazı terminallerini metal nesnelere bağlamayın. Onaylı bir elektrik prizi kullanın.
- Bu ürün, çalışırken elektromanyetik bir alan oluşturur. Bu alan, bazı koşullarda aktif veya

pasif tıbbi implantlarda girişime neden edebilir. Ciddi veya ölümcül yaralanma riskini azaltmak için tıbbi implantı olan kişilerin, bu ürünü kullanmadan önce doktorlarına ve tıbbi implant üreticilerine danışmalarını öneririz.

- Akü şarj cihazının güç kablosunun hasarlı olmadığını ve üzerinde çatlaklar bulunmadığını düzenli olarak kontrol edin.
- Akü şarj cihazını güç kablosundan tutup kaldırmayın. Akü şarj cihazını elektrik prizinden çıkarmak için fişi çekin. Güç kablosunu çekmeyin.
- Güç kablosunu ve uzatma kablolarını sudan, yağdan ve keskin kenarlı cisimlerden uzak tutun. Kabloların kapılara, çitlere veya benzeri yerlere sıkışmadığından emin olun. Bu durum şarj cihazının elektrik yüklenmesine sebep olabilir.
- Akü şarj cihazını suyla temizlemeyin.
- Akü şarj cihazı, gözetim altında tutuldukları ya da akü şarj cihazının güvenli şekilde kullanımına ilişkin talimatlar sağlandığı ve gerçekleştirilecek tehlikeler açıklandığı sürece 8 yaş ve üzeri çocuklar ve fiziksel, duyuşal veya zihinsel yetenekleri sınırlı olan ya da yetersiz deneyim ve bilgiye sahip kişiler tarafından kullanılabilir. Çocuklar akü şarj cihazı ile oynamamalıdır. Temizlik ve kullanıcı bakım işlemleri gözetim olmadan çocuklar tarafından gerçekleştirilmemelidir.
- Şarj edilemeyen aküleri akü şarj cihazında şarj etmeyin.
- Akü şarj cihazını, yanıcı malzemelerin veya korozyona neden olabilecek malzemelerin yakınında kullanmayın. Akü şarj cihazının üzerini kapatmayın. Duman veya ateş çıkması durumunda akü şarj cihazının fişini çekip çıkarın.
- Hatalı veya hasarlı akü şarj cihazlarını kullanmayın.
- Aküyü yalnızca kapalı alanda, iyi hava akışı olan ve güneş ışığından uzak bir odada şarj edin. Aküyü ıslak koşullarda şarj etmeyin.

## Bakım için güvenlik talimatları



**UYARI:** Ürünü kullanmadan önce aşağıdaki uyarı talimatlarını okuyun.

- Bakım sırasında yanlışlıkla çalıştırmayı önlemek için güvenlik anahtarını 0 konumuna getirin ve aküyü çıkarın. Bakıma başlamadan önce en az 5 saniye bekleyin.
- Yalnızca bu kullanım kılavuzunda belirtilen bakım çalışmasını yapın. Bu kapsamın dışındaki işlemler ve profesyonel onarımlar, onaylı bir servis noktası tarafından yapılmalıdır. Daha fazla bilgi için size en yakın servis noktası ile görüşün.
- Ürünün ömrünü uzatmak ve kaza riskini azaltmak için bakım işini doğru şekilde yapın.
- Hasarlı, aşınmış veya bozuk parçaları değiştirin. Her zaman üreticinin orijinal yedek parçalarını kullanın. Diğer yedek parçalar üründe hasara neden olabilir ve kaza riskini artırabilir.

- Yaralanmaları önlemek için güvenlik cihazlarını çıkarmayın veya cihazların üzerinde değişiklik yapmayın.
- Kesme donanımını kullanırken ağır hizmet tipi eldiven giyin. Bıçak çok keskindir ve kolaylıkla kesiklere yol açabilir.
- En iyi ve en güvenli performans için kesme kenarlarının keskin ve temiz olmasına özen gösterin.
- Servis noktanızın düzenli olarak ürünü kontrol etmesini ve gerekli ayarları ve onarımları yapmasını sağlayın.

- Aksesuar değiştirmeye ilgili talimatlara uyun. Yalnızca üreticiden gelen aksesuarları kullanın.
- Çalışmadığı zaman ürünü, aküyü ve akü şarj cihazını ayrı olarak kuru, kapalı ve kilitli bir alanda saklayın. Çocukların ve onaylı olmayan kişilerin ürüne, aküye veya akü şarj cihazına erişemediklerinden emin olun.

## Montaj

### Giriş



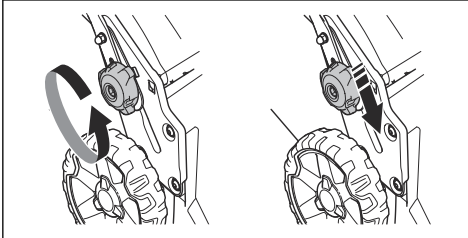
**UYARI:** Ürünü monte etmeden önce, güvenlik bölümünü okuyun.



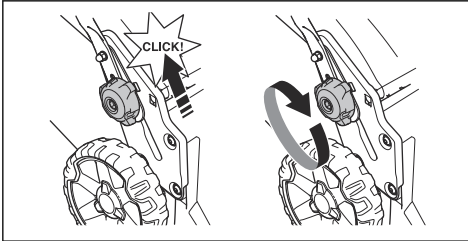
**UYARI:** Montaj sırasında yanlışlıkla çalıştırmayı önlemek için güvenlik anahtarını 0 konumuna getirin, aküyü çıkarın ve en az 5 saniye bekleyin.

### Tutma yerinin ayarlanması

1. Alt düğmeleri gevşetin.
2. Düğmeleri ürünün sol ve sağ tarafındaki girintilerin alttaki ucuna getirin.



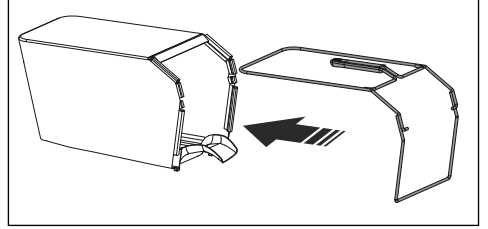
3. Kol yüksekliğini mevcut 2 konumdan birine ayarlayın.
4. Düğmeleri durana ve tık sesi duyulana kadar kol yönünde yukarı hareket ettirin.



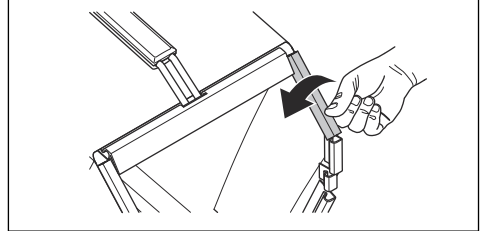
5. Düğmeleri tamamen sıkın.

### Çim toplama sepetinin takılması

1. Çim toplama sepeti çerçevesini, torbanın sert kısmı aşağı gelecek şekilde çim torbasına takın. Çerçevenin kolunu çim torbasının üst kısmında tutun.

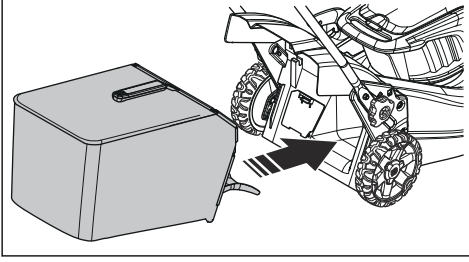


2. Çim toplama sepeti çerçevesinin alt kısmını çim toplama sepetinin altındaki oluğa takın.
3. Çim torbasını, klipslerle çim toplama sepeti çerçevesine takın.



4. Arka kapağı kaldırın.
5. Çim toplama sepetini şasinin üst kenarına takın.

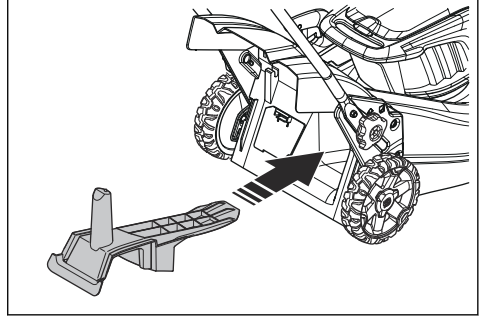
6. Çim toplama sepetinin alt kısmını çim boşaltma kanalına yerleştirin.



## Malç tapasının (aksesuar) takılması

1. Arka kapağı kaldırın ve çim toplama sepetini sökün.

2. Malç tapasını boşaltma kanalının içine yerleştirin.



3. Bıçağı, malç kitinde tedarik edilen malç bıçağı ile değiştirin. Bkz. *Bıçağı değiştirme sayfa: 681.*

## Çalışma

### Giriş



**UYARI:** Ürünü kullanmadan önce güvenlik bölümünü okuyup anlamalısınız.

### Husqvarna Connect

Husqvarna Connect, mobil cihazınız için ücretsiz bir uygulamadır. Husqvarna Connect uygulaması, Husqvarna ürününüz için ayrıntılı işlevler sunar:

- Ayrıntılı ürün bilgileri.
- Ürün parçaları ve servis hakkında bilgi ve yardım.

### Husqvarna Connect uygulamasını kullanmaya başlamak için

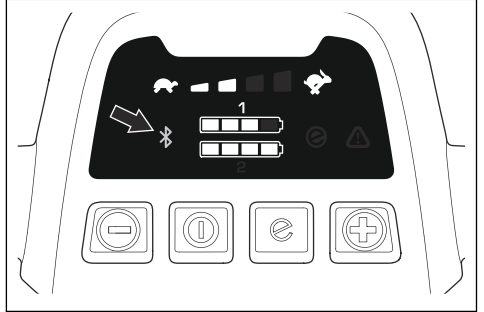
1. Husqvarna Connect uygulamasını mobil cihazınıza indirin.
2. Husqvarna Connect uygulamasında kaydolun.
3. Ürünü bağlamak ve kaydettirmek için Husqvarna Connect uygulamasındaki talimatları izleyin.

**Not:** Husqvarna Connect uygulaması tüm pazarlarda indirilemez. Daha fazla bilgi için lütfen servis bayinizle görüşün.

### Bluetooth® bilgisi (LC 347iVX, LC 353iVX)

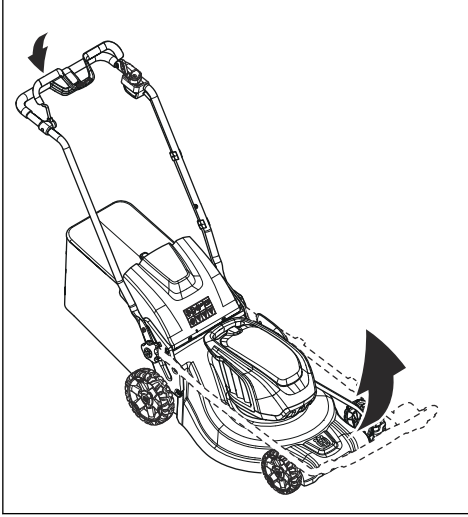
#### Bluetooth® kablosuz teknolojisi

Mobil cihazınız ürüne bağlıyken *Bluetooth®* kablosuz teknolojisi simgesi yanar.

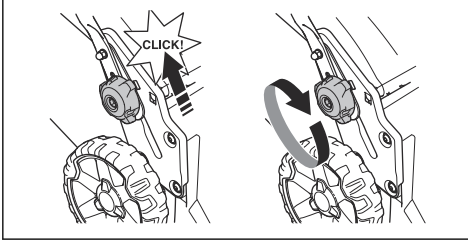


## Ürünü çalıştırma konumuna getirme

1. Kolu dik konuma gelecek şekilde katlayın.



2. Düğmeleri durana ve tık sesi duyulana kadar kol yönünde yukarı hareket ettirin.



3. Düğmeleri tamamen sıkın.



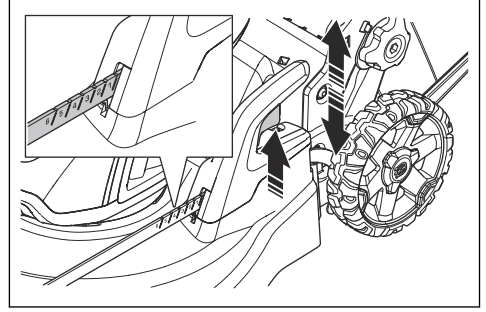
**UYARI:** Tutma yeri tamamen katlanıp uygun yükseklik konumlarından birine ayarlanmadıkça ürünü çalıştırmayın. Bkz. *Tutma yerinin ayarlanması sayfa: 673.*

## Kesme yüksekliğini ayarlama

Kesme yüksekliği 6 seviyede ayarlanabilir.

1. Kesme yüksekliğini azaltmak için kesme yüksekliği kolunu aşağıya doğru hareket ettirin.

2. Kesme yüksekliğini artırmak için kesme yüksekliği kolunu yukarıya hareket ettirin.



**DİKKAT:** Kesme yüksekliğini çok alçakta belirlemeyin. Çimenlik alanın yüzeyi düz değilse bıçaklar yere çarpabilir.

## Akü



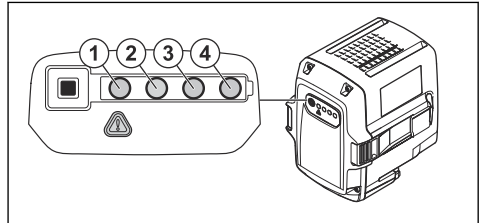
**UYARI:** Aküyü kullanmadan önce güvenlik bölümünü okuyup anlamalısınız. Akü ve akü şarj cihazına ait kullanım kılavuzunu da okuyup anlamalısınız.

Aküyü ve akü şarj cihazını doğru ortam sıcaklıklarında tutun.

	Ortam sıcaklığı
Akü çalışma sıcaklığı	5°C - 40°C
Akü şarj etme sıcaklığı	5°C - 40°C

## Akü durumu

Ekranında, kalan akü kapasitesi ve aküyle ilgili sorun olup olmadığı gösterilir. Akü kapasitesi, ürün kapatıldıktan veya akü gösterge düğmesine basıldıktan sonra 5 saniye süreyle gösterilir. Bir hata meydana geldiğinde akünün üzerindeki uyarı simgesi yanar. Bkz. *Akü sayfa: 682.*



LED ışıkları	Akü durumu
Tüm LED'ler yanmaktadır	Tamamen dolu (%75-100)

LED ışıkları	Akü durumu
LED 1, LED 2, LED 3 yanıyor	Akü %50-%75 dolu
LED 1, LED 2 yanıyor	Akü %25-%50 dolu
LED 1 yanıyor	Akü %0-%25 doludur.
LED 1 yanıp sönüyor	Akü boştur. Aküyü şarj edin.

## Akü şarj durumu

Bir Husqvarna Lityum iyon akü tüm şarj seviyelerinde şarj edilebilir veya kullanılabilir. Akü bundan zarar görmez. Tamamen şarj olmuş bir akü, şarj cihazının içinde kalırsa akünün şarjı azalmaz.

LED ekran	Şarj durumu
LED 1 yanıp sönüyor	%0-%25
LED 1 yanıyor, LED 2 yanıp sönüyor	%25-%50
LED 1, LED 2 yanıyor, LED 3 yanıp sönüyor	%50-%75
LED 1, LED 2, LED 3 yanıyor, LED 4 yanıp sönüyor	%75-%100
LED 1, LED 2, LED 3, LED 4 yanıyor	Tamamen dolu

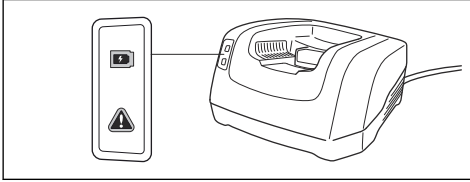
## Akü şarj etme

İlk kullanımdan önce aküyü şarj edin. Akü, müşteriye tedarik edildiğinde yalnızca %30 oranında doludur.

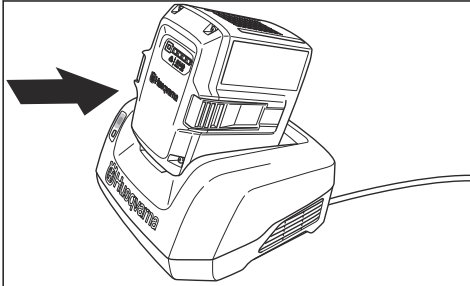
**Not:** Akü şarj cihazı, nominal değerler plakasında belirtilen voltaj ve frekansa bağlanmalıdır.

Akü sıcaklığı 50°C'nin üzerindeyse akü şarj olmaz. Akü şarj cihazı, şarj işlemine başlamadan önce akünün sıcaklığını düşürür.

1. Akü şarj cihazının güç kablosunun bir ucunu akü şarj cihazının soketine bağlayın.
2. Akü şarj cihazının güç kablosunun diğer ucunu topraklamalı bir elektrik prizine bağlayın. Akü şarj cihazındaki LED bir kez yeşil renkte yanıp söner.



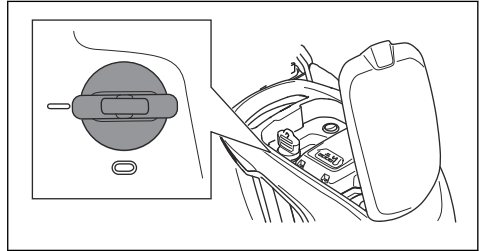
3. Aküyü şarj cihazına yerleştirin. Akü, akü şarj cihazına doğru şekilde bağlandığında, şarj cihazı üzerindeki yeşil ışık yanar.



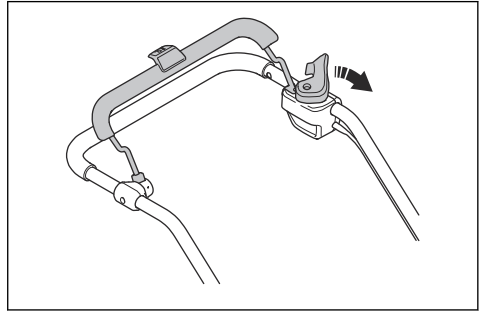
4. Akü üzerindeki tüm LED'ler yandığında akü tam olarak şarj olmuştur. Aküyü en fazla 24 saat boyunca şarj edin.
5. Akü şarj cihazını elektrik prizinden çıkarmak için güç kablosunu değil fişi çekin.
6. Aküyü şarj cihazından çıkarın.

## Ürünü çalıştırma (LC 247i)

1. Akü kapağını açın.
2. Akü tutucularının 1'ine şarj olmuş bir akü yerleştirin. Daha uzun süreli çalışma için şarj olmuş ikinci bir aküyü diğer akü tutucusuna yerleştirin.
3. Güvenlik anahtarını 1 konumuna getirin.

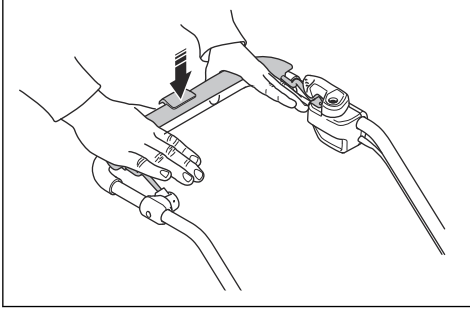


4. Ürünün arkasında durun.
5. Başlatma engelleyicisi gevşetin.

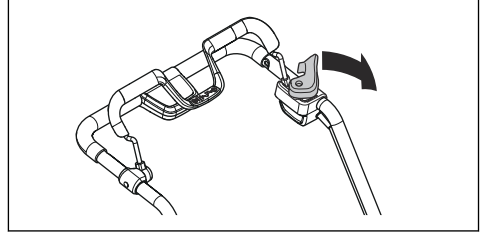




6. Motor freni kolunu gidonun yönünde itin.

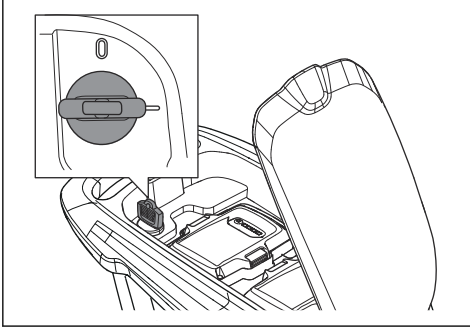


6. Başlatma engelleyicisi gevşetin.



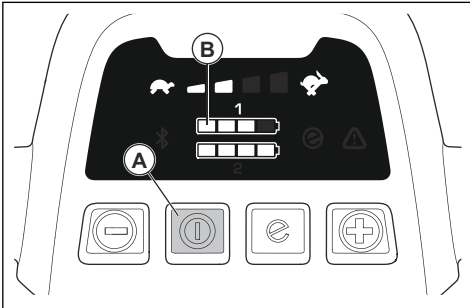
## Ürünü çalıştırma (LC 347iVX, LC 353iVX)

1. Akü kapağını açın.
2. Akü tutucularının 1'ine şarj olmuş bir akü yerleştirin. Daha uzun süreli çalışma için şarj olmuş ikinci bir aküyü diğer akü tutucusuna yerleştirin.
3. Güvenlik anahtarını 1 konumuna getirin.

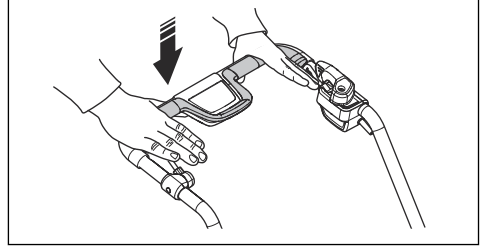


4. Ürünün arkasında durun.

5. Kontrol paneli üzerindeki AÇMA/KAPATMA düğmesine (A) basın. Ekran açılır. Akü göstergesi (B), 2 akünün şarj durumunu gösterir. Üründe çalışan akü sayısı, akü göstergesine bitişik şekilde gösterilir. LC 347iVX, LC 353iVX modellerinin ekranında ayarlı hız da gösterilir.

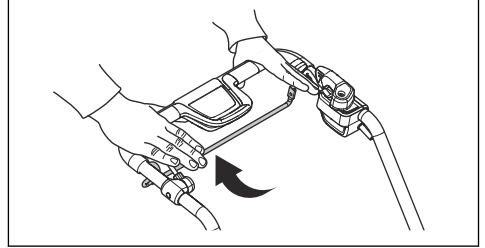


7. Motor freni kolunu gidonun yönünde itin.

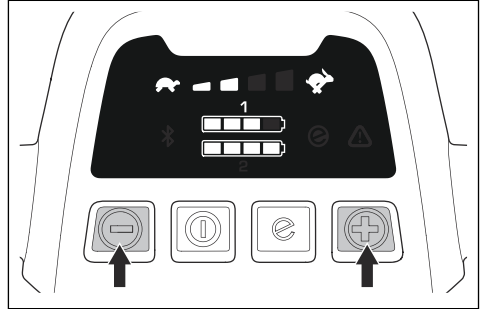


## Tekerleklerde tahrikin kullanılması LC 347iVX, LC 353iVX

- Tahriki başlatmak için tahrik kolunu gidonun yönünde çekin.



- Tahrik hızını 4 adımdan birine ayarlamak için kontrol panelindeki + ve - düğmelerine basın.

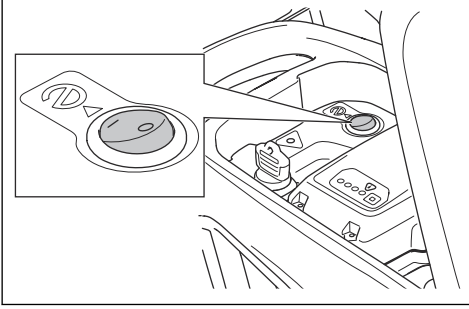


- Örneğin bir engele yaklaştığımızda, tahriki devre dışı bırakmak için tahrik kolunu serbest bırakın.

## SavE™ işlevini kullanma (LC 247i)

Üründe, daha uzun süre çalışma sağlayan bir akü tasarruf işlevi (SavE™) bulunur.

- İşlevi başlatmak için SavE™ düğmesini 1 konumuna getirin.



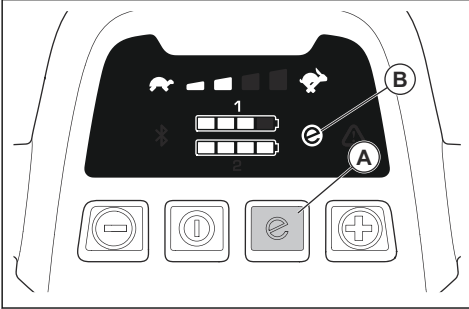
- İşlevi durdurmak için SavE™ düğmesini 0 konumuna getirin.

**Not:** Zemin koşulları daha yüksek bir çıkış gerektirirse SavE™ işlevi otomatik olarak durur. Zemin koşulları uygun olduğunda SavE™ işlevi otomatik olarak tekrar çalışır.

## SavE™ işlevini kullanma (LC 347iVX, LC 353iVX)

Üründe, daha uzun süre çalışma sağlayan bir akü tasarruf işlevi (SavE™) bulunur.

- İşlevi başlatmak için SavE™ düğmesine (A) basın. Ekrandaki SavE™ simgesi (B) yanar.
- İşlevi durdurmak için SavE™ düğmesine tekrar basın. Ekrandaki SavE™ simgesi (B) söner.



**Not:** Zemin koşulları daha yüksek bir çıkış gerektirirse SavE™ işlevi otomatik olarak durur. Zemin koşulları uygun olduğunda SavE™ işlevi otomatik olarak tekrar çalışır.

## Yüksek yük işlevi

Ürün uzun veya ıslak çimi keserken motor otomatik olarak devri yükseltir. Yüksek yük gerektirmede motor, standart moda geri döner.

## Otomatik yeniden çalıştırma

Çalışma sırasında bıçak ve motor, kesme kapağının altında çimden kaynaklanan tıkanma gibi engeller nedeniyle geçici olarak durabilir. Bu durum meydana gelir ve motor freni tutma yerini basılı tutarsanız ürün otomatik olarak yeniden çalışmaya çalışır. Ürün 5 saniye içinde yeniden çalışmazsa kesme kapağının alt kısmını temizlemek gerekebilir. Bkz. *Ürünün temizlenmesi sayfa: 680.*



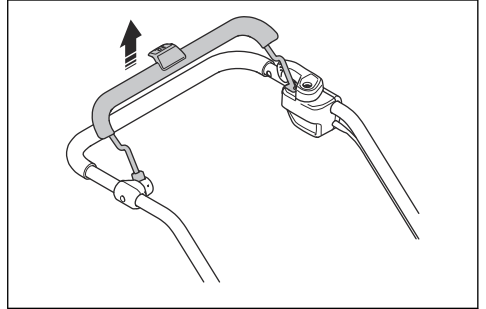
**UYARI:** Kesme kapağını kontrol etmeden önce motor freni tutma yerini serbest bırakın, güvenlik anahtarını 0 konumuna getirin, aküyü çıkarın ve en az 5 saniye bekleyin. Engel kaldırılır ve ürün yanlışlıkla çalıştırılırsa yaralanma riski vardır.

## Ürünü durdurma (LC 247i)

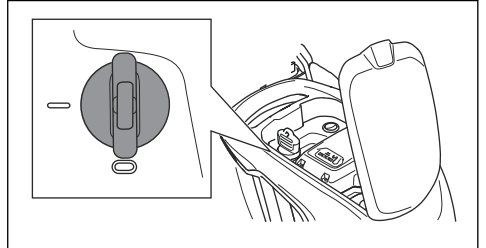


**UYARI:** Ürünü görüş alanınızın dışında bırakmadan önce güvenlik anahtarını 0 konumuna getirin.

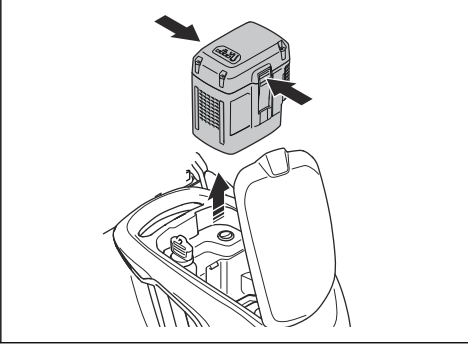
- Motoru durdurmak için motor fren kolunu serbest bırakın.



- Akü kapağını açın ve güvenlik anahtarını 0 konumuna getirin.



3. Aküyü çıkarmak için 2 serbest bırakma düğmesine basın ve aküyü çekip çıkarın.



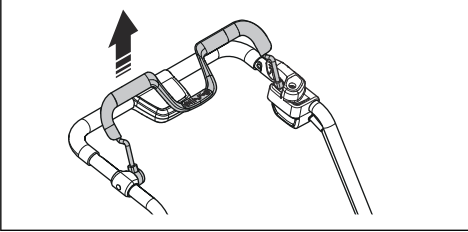
4. Akünün gücü zayıfsa aküyü şarj edin. Daha fazla bilgi için bkz. *Aküyü şarj etme sayfa: 676.*

## Ürünü durdurma (LC 347iVX, LC 353iVX)

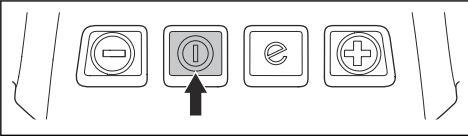


**UYARI:** Ürünü görüş alanınızın dışında bırakmadan önce güvenlik anahtarını 0 konumuna getirin.

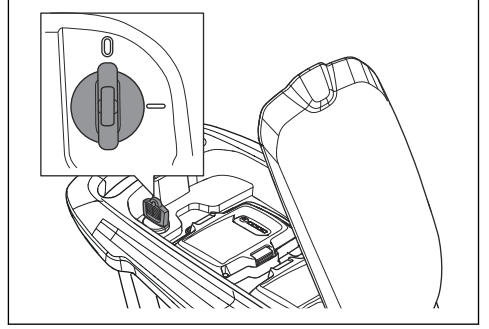
1. Motoru durdurmak için motor fren kolunu serbest bırakın.



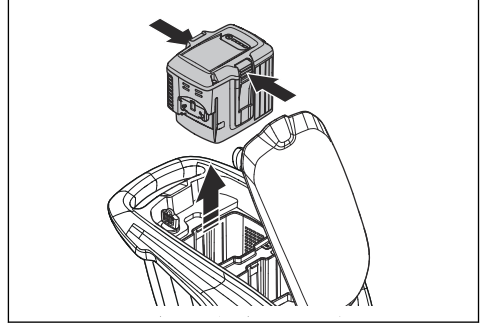
2. Kontrol paneli üzerindeki AÇMA/KAPATMA düğmesine basın. Ekrandaki tüm LED lambaları ve simgeler söner.



3. Akü kapağını açın ve güvenlik anahtarını 0 konumuna getirin.



4. Aküyü çıkarmak için 2 serbest bırakma düğmesine basın ve aküyü çekip çıkarın.



5. Akünün gücü zayıfsa aküyü şarj edin. Daha fazla bilgi için bkz. *Aküyü şarj etme sayfa: 676.*

**Not:** Birkaç dakika boyunca çalıştırmazsanız ürünün enerjisi otomatik olarak kesilir. Ürünü tekrar çalıştırmak için bkz. *Ürünü çalıştırma (LC 347iVX, LC 353iVX) sayfa: 677.*

## İyi sonuç alma

- Her zaman keskin bıçak kullanın. Kör bıçak, düzensiz bir sonuç verir ve çimin kesme yüzeyi sarı olur. Ayrıca keskin bıçak kör bıçaktan daha az güç kullanır.
- Çim boyunun 1/3'sinden fazlasını kesmeyin. Önce kesme yüksekliği yüksek ayardayken kesmeye başlayın. Sonucu inceleyin ve kesme yüksekliğini uygun seviyeye indirin. Çimler çok uzunsa makineyi yavaş kullanın ve gerekirse 2 kere kesin.
- Her seferinde farklı yönlerde keserek çimenlik alanda çizgi oluşmasını önleyin.
- Kesme kapağını temiz tutun. Kesme kapağının iç tarafında çim ve kir birikmesi kesme performansını zayıflatabilir. Bkz. *Ürünün temizlenmesi sayfa: 680.*

## Çim toplama sepeti veya malç tapası takılı değilken çimlerin kesilmesi

- Arka kapağı kaldırın ve çim toplama sepetini sökün.

- Malç tapası ve malç bıçağı takılıysa bunları çıkarın.
- Ürünü çalıştırmadan önce arka kapağı kapatın.

Çalışma sırasında kesilen çim arka kapağın alt kısmından boşaltılır.

## Bakım

### Giriş



**UYARI:** Bakım yapmadan önce güvenlik bölümünü okuyup anlamaz gerekir.

Ürüne uygulanacak tüm servis ve onarım işlemleri için özel eğitim gereklidir. Profesyonel onarım ve servis hizmetlerinin mevcut bulunduğunu garanti etmekteyiz.

Yetkili satıcınız servis noktası değilse kendisiyle görüşüp en yakınınızdaki servis noktası hakkında bilgi edinin.

Daha ayrıntılı bilgi için bkz. [www.husqvarna.com](http://www.husqvarna.com).

### Bakım takvimi

Bakım aralıkları, ürünün günlük kullanımına göre hesaplanır. Ürün her gün kullanılmazsa aralıklar değişir.

\* ile işaretli bakımlar için bkz. *Güvenlik sayfa: 667*.

	Her kullanımda	Aylık olarak	Her mevsimde
Genel inceleme yapma	X		
Ürünü temizleme	X		
Başlatma engelleyiciyi kontrol etme *	X		
Üründeki güvenlik araçlarının arızalı olmadığından emin olma *	X		
Kesme donanımını inceleme	X		
Kesme kapağını inceleme *	X		
Motor fren kolunu kontrol etme *	X		
AÇMA/KAPAMA düğmesinin doğru şekilde çalıştığından ve hatalı olmadığından emin olma	X		
Aküde hasar kontrolü yapma	X		
Akü şarjını kontrol etme	X		
Aküdeki serbest bırakma düğmelerinin doğru şekilde çalıştığından ve akünün ürüne sabitlendiğinden emin olma	X		
Akü şarj cihazında hasar kontrolü yapma ve cihazın doğru şekilde çalıştığından emin olma.		X	
Akü ile ürün arasındaki bağlantıları kontrol etme. Akü ile akü şarj cihazı arasındaki bağlantıyı kontrol etme.			X

### Genel denetim yapma

- Ürünün üzerindeki somun ve vidaların sıkı olduğundan emin olun.
- Üründeki kabloların hasar görebilecekleri bir konumda olmadığından emin olun.

### Ürünün temizlenmesi

- Plastik parçaları temiz ve kuru bir bezle temizleyin.
- Ürünü temizlemek için su kullanmayın. Aküye veya motora su girebilir ve üründe kısa devreye veya hasara neden olabilir.

- Ürünü temizlemek için yüksek basınçlı yıkayıcı kullanmayın.
- Motora doğrudan su tutmayın.
- Yaprak, çim ve kirleri gidermek için fırça kullanın.

### Aküyü ve şarj cihazını temizlemek için



**UYARI:** Aküyü veya akü şarj cihazını suyla temizlemeyin.

- Aküyü akü şarj cihazına yerleştirmeden önce akünün ve akü şarj cihazının temiz ve kuru olduğundan emin olun.
- Akü terminallerini basınçlı hava ile temizleyin veya yumuşak ve kuru bir bez ile silin.
- Akü ve akü şarj cihazının yüzeylerini yumuşak ve kuru bir bezle temizleyin.

## Kesme donanımını kontrol etme



**UYARI:** Yanlışlıkla çalıştırmayı önlemek için güvenlik anahtarını 0 konumuna getirin, aküyü çıkarın ve en az 5 saniye bekleyin.



**UYARI:** Kesme donanımına bakım yaptığınızda koruyucu eldivenler kullanın. Bıçak çok keskindir ve kolaylıkla kesiklere yol açabilir.

1. Kesme donanımında hasar veya çatlak olup olmadığını inceleyin. Hasarlı bir kesme donanımını kesinlikle değiştirin.
2. Hasarlı veya kör olup olmadığını anlamak için bıçağa bakın.

**Not:** Bilendikten sonra bıçağı dengelemek gerekir. Bıçağın bir servis merkezinde bilenmesini, değiştirilmesini ve dengelemesini sağlayın. Ürünün durmasına neden olan bir engele çarparsanız hasarlı bıçağı değiştirin. Bıçağın bilenip bilenmeyeceğini veya değiştirmek gerekip gerekmediğine servis merkezinin karar vermesini sağlayın.

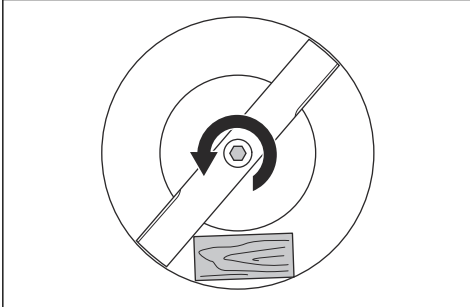
## Bıçağı değiştirme

Doğru bıçak tipi için bkz. *Teknik veriler sayfada: 685.*

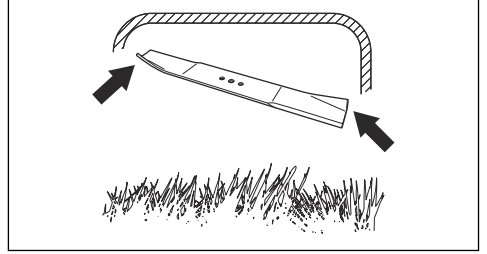


**UYARI:** Bıçağı değiştirirken parmaklarınızın yaralanmasını önlemek için bıçağı bir tahta blok ile kilitleyin. Motor kapalıyken bıçak hareket ettirilebilir ve parmaklarınız, bıçak ile sabit parçalar arasında sıkışabilir.

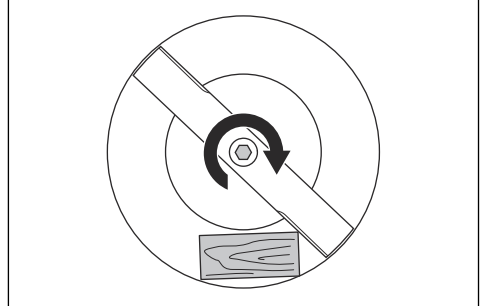
1. Bıçağı ahşap bir blokla kilitleyin.



2. Bıçak civatasını sökün.
3. Bıçağı sökün.
4. Bıçak desteğinde ve bıçak civatasında hasar olup olmadığını kontrol edin.
5. Bükülmediğinden emin olmak için motor milini inceleyin.
6. Yeni bıçak taktığınızda bıçağın açılı uçlarını kesme kapağı yönüne çevirin.



7. Bıçağın, motor milinin orta kısmıyla hizalandığından emin olun.
8. Bıçağı ahşap bir blokla kilitleyin. Yaylı rondelayı takıp civatayı ve rondelayı 23–28 Nm'lik torkla sıkın.



9. Bıçağı elinizle çekerek döndürün ve serbestçe döndüğünden emin olun.



**UYARI:** Ağır hizmet tipi eldiven kullanın. Bıçak çok keskindir ve kolaylıkla kesiklere yol açabilir.

10. Bıçağı test etmek için ürünü çalıştırın. Bıçak doğru bir şekilde takılmıyorsa üründe titreşim olur veya kesme işleminin sonucu başarısızdır.

## Sorun giderme

### Akü

Aküdeki LED	Neden	Çözüm
Yeşil LED yanıp sönüyor.	Akü voltajı düşüktür.	Aküyü şarj edin. Bkz. <i>Aküyü şarj etme sayfada: 676.</i>
Hata LED'i yanıp sönüyor.	Akünün gücü zayıftır.	Aküyü şarj edin. Bkz. <i>Aküyü şarj etme sayfada: 676.</i>
	Çalışma ortamındaki sıcaklık çok yüksek veya çok düşüktür.	Aküyü 5°C - 40°C arasındaki sıcaklıklarda kullanın.
	Yüksek voltaj.	Şebeke voltajının, ürünün nominal değerler plakasındakiyle aynı olduğundan emin olun. Aküyü şarj cihazından çıkarın. 5 saniye bekleyin ve aküyü şarj etmeyi tekrar deneyin. Sorun devam ederse yetkili bir servis noktasıyla görüşün.
Hata LED'i yanıyor.	Hücreler arasındaki fark çok büyük (1 V).	Onaylı bir servis noktasıyla görüşün.

### Akü Şarj Cihazı

Akü şarj cihazındaki LED	Neden	Çözüm
Hata LED'i yanıp sönüyor.	Çalışma ortamındaki sıcaklık çok yüksek veya çok düşüktür.	Akü şarj cihazını 5°C - 40°C arasındaki sıcaklıklarda kullanın.
Hata LED'i yanıyor.		Onaylı bir servis noktasıyla görüşün.

### Çim biçici

Uyarı göstergesi (hata LED'i) akü kapağının altında ((LC 247i)) veya kontrol panelinin üzerinde ((LC 347iVX, LC 353iVX)) bulunur.

Sorun	Hata LED'i (yanıp sönme sayısı)	Neden	Çözüm
Hata LED'i yanıp sönüyor. Ürün düzgün çalışmıyor.	3	Bıçak engelleniyor.	Yanlışlıkla çalıştırmayı önlemek için güvenlik anahtarını 0 konumuna getirin. Aküyü çıkarın ve en az 5 saniye bekleyin. Olası engelleri kaldırın ve bıçağın serbestçe dönebildiğinden emin olun. Sorun devam ederse yetkili bir servis noktasıyla görüşün.
	5	Motor devri çok düşüyor ve motor duruyor.	Kesme yüksekliğini artırın. Bkz. <i>Kesme yüksekliğini ayarlama sayfa: 675.</i>
	6 <sup>105</sup>	Tekerlekler veya şanzıman engelleniyor.	Yanlışlıkla çalıştırmayı önlemek için güvenlik anahtarını 0 konumuna getirin. Aküyü çıkarın ve en az 5 saniye bekleyin. Olası engelleri kaldırın ve tekerleklerin serbestçe dönebildiğinden emin olun. Sorun devam ederse yetkili bir servis noktasıyla görüşün.
	10	Motor denetleyicisi çok sıcak.	Motoru durdurun ve soğuyana kadar bekleyin.
Hata LED'i yanıp sönüyor. Ürün duruyor.	0	Akü konektörü arızası.	Akü konektörünü kontrol edin.
	3	Motorda aşırı yüklenme vardır.	Kesme yüksekliğini artırın. Bkz. <i>Kesme yüksekliğini ayarlama sayfa: 675.</i>
	8	Akünün gücü zayıftır.	Aküyü şarj edin. Bkz. <i>Aküyü şarj etme sayfa: 676.</i>
	9	Akü hatası oluştu veya akü sinyali yok.	Aküyü ürüne doğru şekilde yerleştirin ve akü konektörünü kontrol edin. Aküdeki hata LED'inin yanıp sönmesi halinde: Bkz. <i>Akü sayfa: 682.</i>
	12	Hatalı çalıştırma prosedürü. Motor çalışmadan önce motor fren kolu devreye alınmıştır.	Motor fren kolunu serbest bırakın ve yaklaşık 5 saniye bekleyin. Ürünü çalıştırmak için motor fren kolunu tekrar aşağı itin.
Diğer hatalar.	Başka hatalar oluşursa güvenlik anahtarını 0 konumuna getirin, aküyü çıkarın ve onaylı bir servis noktasıyla görüşün.		

## Taşıma, depolama ve atma

### Giriş



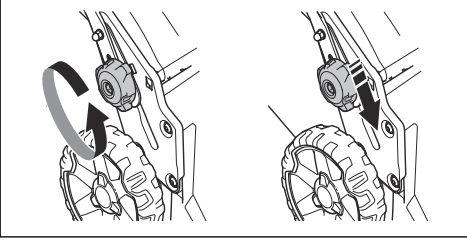
**UYARI:** Taşıma sırasında yanlışlıkla çalıştırmayı önlemek için güvenlik anahtarını "0" konumuna getirin, aküyü çıkarın ve en az 5 saniye bekleyin.

### Ürünü nakliye konumuna getirme

1. Alt düğmeleri gevşetin.

<sup>105</sup> LC 347iVX, LC353iVX

2. Düğmeleri ürünün sol ve sağ tarafındaki girintilerin alttaki ucuna getirin.



3. Kolu öne doğru katlayın.



4. Çim toplama sepetini çıkarın.

## Taşıma

- Ürün içindeki Lityum iyon aküler Tehlikeli Maddeler Kanunu gerekliliklerine tabidir.
- Ticari amaçlı taşımalarda, paketteki ve etiketlerdeki özel gerekliliklere uyulmalıdır.
- Ürünü taşıma için hazırlarken tehlikeli malzeme yönetmeliklerine uyduğunuzdan emin olun. Yerel yönetmelikler uygulanabilir.
- Ürünü taşırken aküyü kesinlikle çıkarın.
- Akü konektörlerine bant yapıştırın ve taşıma sırasında akünün hareket edemeyeceğinden emin olun.
- Taşıma sırasında ürünü bağlayın.

## Saklama

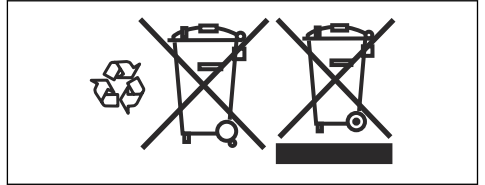
- Depolamadan önce ürünün soğumasını bekleyin.

- Ürünü depolarken aküyü kesinlikle çıkarın.
- Kazaları önlemek için depolama sırasında akünün ürüne bağlı olmadığından emin olun.
- Akü şarj cihazını kapalı ve kuru bir alanda tutun.
- Aküyü ve akü şarj cihazını, nem veya don olmayan kuru bir alanda tutun.
- Depolama sırasında aküyü şarj cihazından ayırın.
- Aküyü, statik elektrik oluşabilecek yerlerde tutmayın. Aküyü metal bir kutuda tutmayın.
- Ürünü, ortam sıcaklığının -10°C ile 40°C arasında olduğu bir yerde tutun.
- Aküyü, ortam sıcaklığının 5°C ile 25°C arasında olduğu ve güneş ışığı almayan yerlerde tutun.
- Akü şarj cihazını, ortam sıcaklığının 5°C ile 45°C arasında olduğu ve güneş ışığı almayan yerlerde tutun.
- Uzun süreli depolamadan önce akünün %30 - %50 dolu olduğundan emin olun.
- Ürünü, aküyü ve akü şarj cihazını, çocukların ve onaylı olmayan kişilerin erişemeyeceği kilitli bir alanda tutun.
- Ürünü temizleyin ve çim toplama sepetinin boş olduğundan emin olun.
- Bu kullanım kılavuzunda verilen bakım prosedürlerini gerçekleştirin. Bkz. *Bakım sayfa: 680*.
- Ürünü uzun süre depolamadan önce ürüne eksiksiz bir bakım yapın.

## Atma

Ürün veya ürün ambalajı üzerinde bulunan semboller, bu ürünün evsel atık olarak değerlendirilemeyeceğini belirtir. Elektrikli ve elektronik ekipman, kurtarma için uygun bir geri dönüşüm istasyonuna gönderilmelidir.

Bu ürüne doğru önemin verilmesini sağlayarak, çevreye ve insanlara olabilecek potansiyel negatif etkisini önlemeye yardımcı olabilirsiniz, aksi takdirde bu ürünün yanlış atık yönetimi durumunda negatif etkiler meydana gelebilir. Bu ürünün geri dönüşümü hakkında daha ayrıntılı bilgi için belediyenize, mahallenizdeki atık hizmetine veya ürünü satın aldığınız mağazaya danışın.





## Teknik veriler

### Teknik veriler

	LC 247i	LC 347IVX	LC 353IVX
<b>Kesme motoru</b>			
Motor tipi	BLDC (fırçasız) 36V	BLDC (fırçasız) 36V	BLDC (fırçasız) 36V
Motor devri – SavE, dev/dak.	2600/dak	2600/dak	2600/dak
Motor devri – Nominal, dev/dak.	3000/dak	3000/dak	3000/dak
Motor devri – Yüksek yük, dev/dak.	3500/dak	3500/dak	3500/dak
Motor çıkışı – maks. kW	0,96	0,96	1,05
Motor çıkışı – Nominal, kW	0,75	0,75	0,9
<b>Tahrik motoru</b>			
Motor çıkışı – Nominal, kW	Yok	0,25	0,25
Kendi kendine yürüme hızı, km/sa.	Yok	3,0-4,5	3,0-4,5
Devir ayar seviyeleri	Yok	4	4
<b>Ağırlık</b>			
Torbasız ağırlık (akü hariç), kg	24,5	26	28
Torbayla birlikte ağırlık (2 adet BLi30 dahil), kg	30,5	32,0	34,5
<b>Akü</b>			
Akü tipi	Husqvarna Akü Serisi		
<b>Akü çalışma süresi</b>			
Bir adet Husqvarna 7,7 Ah akü (BLi30) ile birlikte SavE etkin durumdayken dakika cinsinden akü çalışma süresi (serbest çalışma).	62	62	46
Bir adet Husqvarna 7,7 Ah akü (BLi30) ile birlikte standart mod etkin durumdayken dakika cinsinden akü çalışma süresi (serbest çalışma).	43	43	28
<b>Gürültü yayma <sup>106</sup></b>			
Ses gücü düzeyi, ölçülmüş dB (A)	94	94	97
Ses gücü düzeyi, garantili L <sub>WA</sub> dB (A)	95	95	98
<b>Ses düzeyleri <sup>107</sup></b>			
Operatörün kulağındaki ses basıncı düzeyi, dB (A)	82	82	86

<sup>106</sup> 2000/14/AT sayılı AT direktifi uyarınca ses gücü (L<sub>WA</sub>) olarak çevrede ölçülen gürültü yayma seviyesi.

<sup>107</sup> Ses basıncı düzeyi için bildirilen verilerde 1,5 dB(A) değerinde belirsizlik faktörü (K) mevcuttur.

	LC 247i	LC 347IVX	LC 353iVX
<b>Titreşim düzeyleri</b> <sup>108</sup>			
Tutma yeri, m/sn <sup>2</sup>	0,42	0,42	2,64
<b>Kesme donanımı</b>			
Kesme yüksekliği, mm	20-75 mm	20-75 mm	20-75 mm
Kesme genişliği, cm	47	47	53
Bıçak Standardı	Toplama 5905934-10	Toplama 5905934-10	Toplama 5940757-10
Bıçak aksesuarı	Malçlama 5907010-10	Malçlama 5907010-10	Malçlama 5950072-10
Çim toplama sepeti kapasitesi, litre	55	55	60

<b>Bluetooth® için radyo frekansı verileri</b>	LC 247i	LC 347IVX	LC 353iVX
Frekans bandı, GHz	Yok	2,4-2,4835	2,4-2,4835
Çıkış gücü, maks. dBm	Yok	4	4

<b>Onaylı aküler</b>	<b>Tip</b>	<b>Akü kapasitesi, Ah</b>	<b>Voltaj, V</b>	<b>Ağırlık, lb/kg</b>
BLi20	Lityum iyon	4,0	36	2,6/1,2
BLi30	Lityum iyon	7,7	36	4,2/1,9

<b>Belirtilen aküler için onaylı şarj cihazları, BLi</b>	<b>Giriş voltajı, V</b>	<b>Frekans, Hz</b>	<b>Güç, W</b>
QC80	100-240	50-60	80
40-C80	100-240	50-60	68,8
QC250	100-240	50-60	250

<sup>108</sup> Titreşim düzeyleri için bildirilen verilerde 1,5 m/sn<sup>2</sup> değerinde belirsizlik faktörü (K) mevcuttur. Beyan edilen toplam titreşim değeri EN 62841-4-3 standardı, Ek l'e göre hesaplanmıştır ve bir makineyi bir diğeriyle karşılaştırmak ve maruz kalma ön değerlendirmesi yapmak için kullanılabilir.

# Uyumluluk Bildirimi

## AB Uyumluluk Bildirimi

Biz, **Husqvarna AB**, SE-561 82 Huskvarna, İsveç, Tel: +46-36-146500) olarak tek sorumlu vasfıyla ürüne ilişkin aşağıdaki beyanlarda bulunmaktayız:

<b>Açıklama</b>	Çim biçici
<b>Marka</b>	Husqvarna
<b>Tip / Model</b>	LC 247i
<b>Kimlik</b>	2021 yılı ve sonrası tarihli seri numaraları

aşağıdaki AB direktifleri ve düzenlemeleriyle tamamen uyumludur:

<b>Direktif/Düzenleme</b>	<b>Açıklama</b>
2006/42/AT	"makinelere ilgili"
2014/30/AB	"elektromanyetik uyumlulukla ilgili"
2000/14/AT	"çevreye gürültü yayma ile ilgili"
2011/65/AB	"elektrikli ve elektronik ekipmanlarda belirli tehlikeli maddelerin kullanımının kısıtlanmasıyla ilgili"

ve aşağıdaki standartlar ve/veya teknik özellikler uygulanmıştır: EN 62841-1:2015+AC:2015, EN 62841-4-3:2021+A11:2021, EN ISO 12100:2010, EN 55014-1:2017+A11:2020, EN 55014-2:2015, EN IEC 63000:2018.

Onaylanmış kuruluş: 0404, RISE SMP Svensk Maskinprovning AB, Box 7035, SE-750 07 Uppsala  
2000/14/AT konsey direktifi, uygunluk değerlendirme prosedürü: Ek VI ile uygunluğu belgelemiştir.

Gürültü emisyonları ile ilgili bilgi için bkz. *Teknik veriler sayfada: 685.*

Huskvarna, 2021-12-01



Claes Losdal, Geliştirme Müdürü/Bahçe Ürünleri,  
Husqvarna AB

Teknik dokümantasyon sorumlusu



## AB Uyumluluk Bildirimi

Biz, **Husqvarna AB**, SE-561 82 Huskvarna, İsveç, Tel: +46-36-146500) olarak tek sorumlu vasfıyla ürüne ilişkin aşağıdaki beyanlarda bulunmaktayız:

<b>Açıklama</b>	Çim biçici
<b>Marka</b>	Husqvarna
<b>Tip / Model</b>	LC 347iVX, LC 353iVX
<b>Kimlik</b>	2021-12-01 yılı ve sonrası tarihli seri numaraları

aşağıdaki AB direktifleri ve düzenlemeleriyle tamamen uyumludur:

Direktif/Düzenleme	Açıklama
2006/42/AT	"makinelere ilgili"
2014/53/AB	"radyo ekipmanı ile ilgili"
2000/14/AT	"çevreye gürültü yayma ile ilgili"
2011/65/AB	"elektrikli ve elektronik ekipmanlarda belirli tehlikeli maddelerin kullanımının kısıtlanmasıyla ilgili"

ve aşağıdaki standartlar ve/veya teknik özellikler uygulanmıştır: EN 62841-1:2015+AC:2015, EN 62841-4-3:2021+A11:2021, EN ISO 12100:2010, EN 55014-1:2017+A11:2020, EN 55014-2:2015, EN IEC 63000:2018, EN ETSI 300 328 v.2.2.2, EN 50663: 2017, ETSI EN 301 489-1 V2.2.3, ETSI EN 301 489-17 V3.2.4.

Onaylanmış kuruluş: 0404, RISE SMP Svensk Maskinprovning AB, Box 7035, SE-750 07 Uppsala  
2000/14/AT konsey direktifi, uygunluk değerlendirme prosedürü: EK VI ile uygunluğu belgelemiştir.

Gürültü emisyonları ile ilgili bilgi için bkz. *Teknik veriler sayfa: 685*.

Huskvarna, 2021-12-01

Claes Losdal, Geliştirme Müdürü/Bahçe Ürünleri,  
Husqvarna AB

Teknik dokümantasyon sorumlusu



## Tescilli ticari markalar

*Bluetooth®* marka ismi ve logoları, *Bluetooth SIG, inc.* mülkiyetinde olan tescilli ticari markalardır ve Husqvarna, bu tür markaları ruhsatlı olarak kullanmaktadır.

---

## Зміст

---

Вступ.....	689	Усунення несправностей.....	708
Безпека.....	692	Транспортування, зберігання й утилізація.....	710
Збирання.....	698	Технічні характеристики.....	711
Експлуатація.....	699	Декларація відповідності.....	714
ТЕХНІЧНЕ ОБСЛУГОВУВАННЯ.....	706	Зареєстровані товарні знаки.....	715

---

## Вступ

---

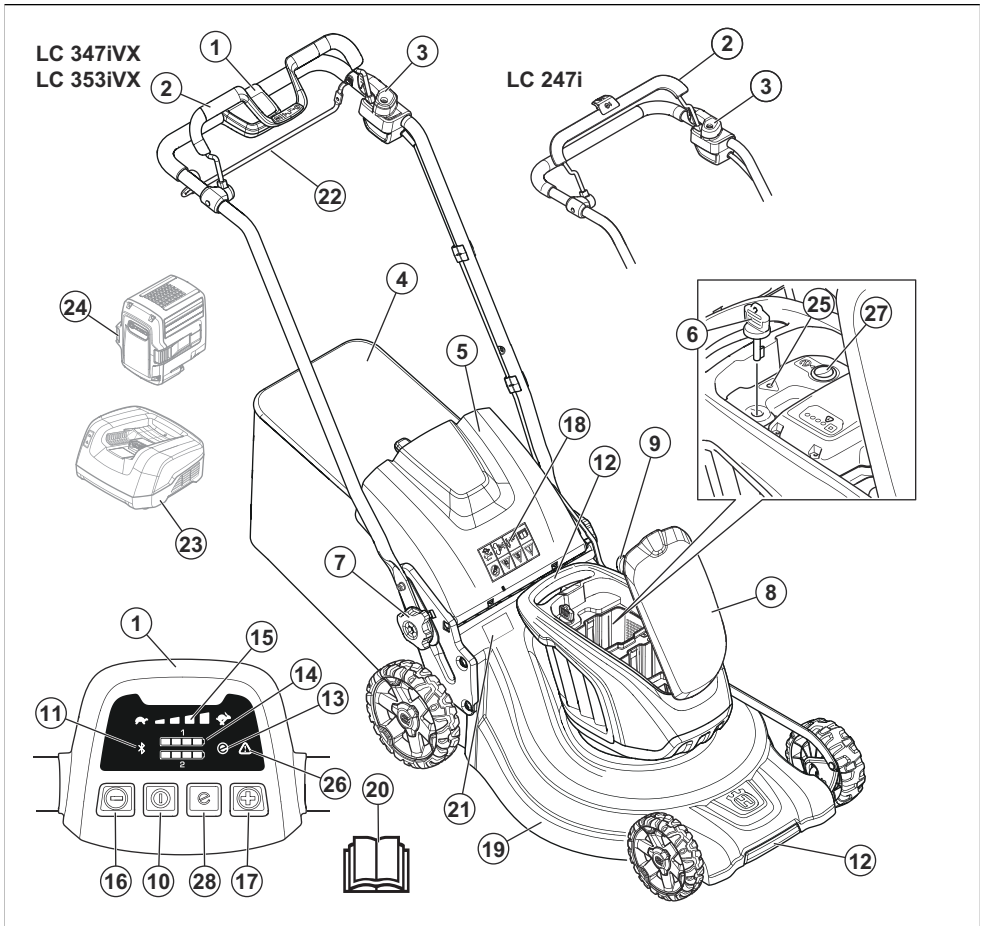
### Опис виробу

Цей виріб – обертальна газонокосарка, керована пішим оператором. Трава збирається в травозбірник. Для того, щоб трава викидалася ззаду, приберіть травозбірник. Для того, щоб перетворити траву на добриво, встановіть приладдя для мульчування (аксесуар).

### Призначення

Користуйтеся виробом для зрізання трави. Забороняється використовувати виріб для інших завдань.

## Огляд виробу



1. Панель керування (LC 347iVX, LC 353iVX)
2. Ручка зупинення двигуна
3. Обмежувач запуску
4. Травозбірник
5. Задній кожух
6. Ключ безпеки
7. Фіксатор ручки
8. Кришка акумуляторного відсіку
9. Регулятор висоти різання
10. Кнопка ON/OFF «УВИМК./ВИМКН.»
11. Індикатор бездротового зв'язку *Bluetooth®*
12. Ручки для підймання
13. Індикатор режиму SaveE
14. Індикатор стану акумулятора
15. Індикатор швидкості (LC 347iVX, LC 353iVX)

16. Кнопка зменшення швидкості (LC 347iVX, LC 353iVX)
17. Кнопка збільшення швидкості (LC 347iVX, LC 353iVX)
18. Позначення
19. Кожух леза
20. Посібник користувача
21. Табличка з паспортними даними
22. Приводна скоба (LC 347iVX, LC 353iVX)
23. Зарядний пристрій (додатковий аксесуар)
24. Акумулятор (додатковий аксесуар)
25. Світлодіодний індикатор помилки (LC 247i)
26. Світлодіодний індикатор помилки (LC 347iVX, LC 353iVX)
27. Кнопка енергозбереження (LC 247i)

## Символи на виробі



ПОПЕРЕДЖЕННЯ



Прочитайте інструкцію.



ПОПЕРЕДЖЕННЯ. Остерігайтеся об'єктів, що можуть відлетіти.



Не підпускайте сторонніх осіб.



ПОПЕРЕДЖЕННЯ. Тримайте руки й ноги на безпечній відстані від лез, що обертаються.



ПОПЕРЕДЖЕННЯ. Перш ніж виконувати технічне обслуговування, від'єднайте акумулятор.



Цей виріб і його пакування не можна утилізувати разом із побутовими відходами. Утилізацію необхідно проводити на підприємстві з переробки відходів електричного й електронного обладнання.



Виріб відповідає вимогам застосовних директив ЄС.



Етикетка щодо випромінювання шуму в навколишнє середовище відповідно до вимог директив і нормативних актів ЄС та Сполученого Королівства. Гарантований рівень звукової потужності виробу вказано

в розділі *Технічні характеристики на сторінці 711* і на етикетці.

## IPX1

Виріб має захист від потрапляння крапель.



Щоб зупинити двигун, відпустіть ручку зупинення двигуна.



Сканований код

**Зверніть увагу:** Інші позначення на виробі відповідають вимогам сертифікації для певних ринків.

## Маркування на виробі



НЕБЕЗПЕКА. Тримайте руки й ноги на безпечній відстані.

## Відповідальність за якість продукції

Згідно із законом про відповідальність за якість продукції ми не несемо відповідальності за будь-які пошкодження, спричинені роботою наших виробів, якщо:

- виріб було неправильно відремонтовано;
- виріб було відремонтовано із використанням деталей, виготовлених не виробником або не затверджених ним;
- виріб обладнано аксесуаром, виготовленим не виробником або не затвердженим ним;
- виріб було відремонтовано в неавторизованому сервісному центрі або неавторизованою компанією;

## Визначення щодо безпеки

Попередження, застереження й примітки служать для наголошення на особливо важливих положеннях посібника.



**ПОПЕРЕДЖЕННЯ:** Вказує на те, що в разі порушення інструкцій, наведених у цьому посібнику, існує небезпека поранення або смерті оператора чи інших осіб, що знаходяться поруч.



**УВАГА:** Вказує на те, що в разі порушення інструкцій, наведених у цьому посібнику, існує небезпека пошкодження виробу, інших матеріалів або навколишніх об'єктів.

**Зверніть увагу:** Використовується для надання додаткової інформації щодо певної ситуації.

## Загальні правила техніки безпеки для виробу



**ПОПЕРЕДЖЕННЯ:** Ознайомтеся з усіма попередженнями, правилами техніки безпеки, інструкціями, рисунками й технічними характеристиками до цього виробу. Недотримання наведених далі інструкцій може призвести до враження електричним струмом, пожежі та / або серйозних травм.

Збережіть усі попереджувальні знаки й інструкції для їх використання в майбутньому. Терміном «виріб» у попередженнях позначається ваш виріб, що працює від електромережі (з кабелем), або акумуляторний (безпроводний) виріб.

## Безпека в робочій зоні

- **Забезпечуйте порядок та добре освітлення в робочій зоні.** Безлад і погане освітлення сприяють нещасним випадкам.
- **Не використовуйте інструмент у вибухонебезпечному середовищі, наприклад поблизу легкозаймистих рідин, газів або пилу.** Виріб утворює іскри, від яких можуть зайнятися пил чи випари.
- **Не підпускайте до себе дітей і сторонніх осіб, коли працюєте з виробом.** Ви можете відволіктися та втратити контроль.

## Електробезпека

- **Вилки виробу мають підходити до розетки.** У жодному разі не змінюйте вилку будь-яким чином. Під час роботи із заземленими виробами не використовуйте жодних перехідників. Вилки оригінальної конструкції та відповідні за типом розетки зменшують ризик ураження електричним струмом.
- **Уникайте тілесного контакту із заземленими поверхнями, такими як труби, радіатори, кухонні плити й холодильники.** Існує підвищений ризик ураження електричним струмом, якщо ваше тіло заземлене.
- **Не тримайте виріб під дощем або у вологих умовах.** Потрапляння води у виріб підвищує ризик ураження електричним струмом.
- **Використовуйте кабель лише за призначенням.** За жодних умов не використовуйте кабель для перенесення чи перетягування виробу й не тягніть за нього, щоб вийняти вилку з розетки. Тримайте кабель подалі від джерела тепла, мастила, гострих країв або рухомих деталей. Пошкоджені чи заплутані кабелі збільшують ризик ураження електричним струмом.
- **Під час експлуатації виробу надворі використовуйте подовжувальний кабель, що підходить для застосування надворі.** Використання кабелю, який підходить для застосування надворі, знижує ризик ураження електричним струмом.
- **Якщо застосування виробу у вологому середовищі неможливо уникнути, використовуйте джерело живлення, обладнане пристроєм захисного відключення (ПЗВ).** Використання ПЗВ знижує ризик ураження електричним струмом.

## Особиста безпека

- **Будьте пильними, слідкуйте за тим, що робите, і дотримуйтеся здорового глузду під час експлуатації виробу.** Не використовуйте виріб, коли ви втомлені або перебуваєте під впливом наркотиків, алкоголю чи лікарських засобів. Утрата уваги на мить під час експлуатації виробу може призвести до серйозної травми.
- **Використовуйте засоби індивідуального захисту.** Обов'язково необхідно користуватися засобами захисту для очей. Захисне спорядження, наприклад респіратор, черевики з нековзною підошвою, каска або захисні навушники за використання у відповідних умовах зменшують ризик травмування.
- **Запобігайте випадковому запуску.** Переконайтеся, що вимикач перебуває у вимкненому положенні, перш ніж підключати виріб до джерела живлення чи акумуляторної батареї, піднімати або переносити його.



Небезпечно переносити виріб, тримаючи палець на перемикачі, або заряджати його, коли перемикач встановлено в положення ввімкнення, оскільки це може призвести до нещасних випадків.

- **Перед увімкненням виробу приберіть будь-які регулювальні або гайкові ключі.** Якщо залишити на деталі виробу, яка обертається, регульовальний або гайковий ключ, це може призвести до травмування.
- **Не тягніться. Завжди дотримуйтесь правильної дистанції і балансування.** Це дасть змогу краще контролювати виріб у несподіваних ситуаціях.
- **Одягайтеся правильно. Не вдягайте просторий широкий одяг, не надягайте на себе ювелірні вироби. Тримайте волосся й одяг подалі від рухомих частин.** Просторий широкий одяг, ювелірні вироби або довге волосся можуть потрапити в рухомі деталі.
- **У разі наявності обладнання з видалення й збору пилу переконайтеся в тому, що воно під'єднано та використовується правильно.** Використання обладнання для збору пилу зменшує ризики, пов'язані з пилом.
- **Досвід роботи, набутий упродовж регулярного використання цього виробу, не є підставою для недбалого експлуатації виробу й нехтування технікою безпеки.** Необережні дії можуть миттєво призвести до тяжких травм.

## Експлуатація виробу та догляд за ним

- **Не докладайте силу до виробу. Використовуйте виріб, що підходить для ваших потреб.** Виріб краще, безпечніше й швидше виконає ту роботу, для якої він призначений.
- **Не використовуйте виріб, якщо вимикач не працює.** Будь-який виріб, яким неможливо керувати за допомогою вимикача, є небезпечним і підлягає ремонту.
- **Коли ви збираєтеся виконувати будь-які налаштування, замінювати приладдя або залишати виріб на зберігання, спочатку витягніть штекер із розетки живлення чи змінний акумуляторний блок із виробу.** Такі запобіжні заходи зменшують ризик ненавмисного запуску виробу.
- **Вимкнені вироби зберігайте в недоступному для дітей місці й не дозволяйте користуватися ними особам, які не ознайомилися з порядком використання виробу або цієї інструкцією.** Вироби становлять небезпеку в руках невідготовлених користувачів.
- **Виконуйте технічне обслуговування виробів і приладдя.** Перевіряйте виріб на предмет зміщення чи вигину рухомих деталей, поломок деталей і будь-якого іншого стану, що може негативно позначитися на роботі виробу. У разі пошкодження відремонтуйте виріб, перш ніж користуватися ним. Багато нещасних випадків

виникають унаслідок недостатнього технічного обслуговування виробів.

- **Підтримуйте різальні елементи в нагостреному та чистому стані.** Різальні елементи, що добре обслуговуються та мають гострі різальні кромки, будуть легше керуватися та з меншою імовірністю будуть заклинати.
- **Використовуйте виріб, приладдя й біти відповідно до цієї інструкції, урахувавши умови та характер роботи, яку потрібно виконати.** Використання виробу для виконання непередбачених операцій може призвести до небезпечної ситуації.
- **Рукоятки та поверхні для тримання мають бути сухими, чистими й знежиреними.** Утримування виробу за слизької рукоятки чи інші поверхні для тримання є порушенням правил техніки безпеки й заважає керувати виробом у непередбачених ситуаціях.

## Служба

- **Сервісне обслуговування виробу має виконувати кваліфікований майстер за використання лише ідентичних запасних частин.** Це гарантуватиме підтримання безпечної роботи виробу.
- **За жодних умов не виконуйте технічного обслуговування пошкоджених акумуляторних блоків.** Технічне обслуговування акумуляторних блоків має виконуватися лише виробником або вповноваженим постачальником послуг.

## Використання інструментів з акумуляторною батареєю та догляд за ними

- **Зарядку батареї слід здійснювати виключно за допомогою зарядного пристрою, зазначеного виробником.** Використання зарядного пристрою, призначеного для роботи з батареями одного типу, з батареями іншого типу може спричинити пожежу.
- **Використовуйте пристрій лише із сумісними акумуляторними блоками.** Використання акумуляторних батарей інших типів може призвести до травмування чи пожежі.
- **Якщо акумуляторний блок не використовується, слід тримати його подалі від металевих предметів, таких як скріпки, монети, ключі, цвяхи, гвинти й інші дрібні металеві предмети, які можуть з'єднати один контакт батареї з іншим.** Замикання контактів акумулятора може призвести до опіків або пожежі.
- **У разі неправильного застосування з акумулятора може випіскуватися рідина; уникайте контакту з нею.** При випадковому контакті промийте місце контакту водою. В разі потраплення рідини в очі на додаток до їхнього інтенсивного промивання зверніться по медичну допомогу. Рідина з акумуляторної батареї може викликати подразнення та опіки.

- **Не використовуйте пошкоджений чи змінений акумуляторний блок або інструмент.** Із пошкодженими чи видозміненими батареями може статися непередбачуване: вони можуть зайнятися, вибухнути або створити інший ризик травмування оператора.
- **Захищайте акумуляторний блок та інструмент від вогню й надмірних температур.** Під впливом вогню або температури понад 130 °C (265°F) може статися вибух.
- **Дотримуйтеся всіх інструкцій із заряджання й не заряджайте акумуляторний блок чи інструмент поза межами діапазону температур, зазначеного в інструкціях.** Неналежне заряджання за температури поза межами зазначеного діапазону може пошкодити акумулятор і підвищує ризик займання.
- **Не допускайте засмічення вентиляційних отворів.** Заблоковані вентиляційні отвори та сміття можуть призвести до перегрівання або пожежі.
- **Під час роботи з газонокосаркою завжди використовуйте захисне взуття, яке не ковзає.** Не використовуйте газонокосарку босоніж або у відкритому взутті. Таким чином ви знизите ризик травмування ніг від контакту з рухомих лезом.
- **Під час використання газонокосарки завжди надягайте довгі штани.** Предмети, які відлітають, можуть пошкодити відкриті ділянки шкіри.
- **Не використовуйте газонокосарку на надмірно тривалій траві.** Пересувайтеся повільно, ніколи не біжіть. Це зменшує ризик ковзання й падіння, які можуть призвести до травмування.
- **Не використовуйте газонокосарку на надмірно крутих схилах.** Це зменшує ризик втрати керування, ковзання й падіння, які можуть призвести до травмування.

### Попередження щодо техніки безпеки під час роботи з газонокосаркою

- **Не використовуйте газонокосарку за несприятливих погодних умов, особливо якщо є ризик удару блискавки.** Недотримання цієї вимоги підвищує ризик удару блискавкою.
- **Ретельно огляньте ділянку, де використовуватиметься газонокосарка, на наявність будь-якої живності.** Під час використання газонокосарки ви можете завдати шкоди тваринам.
- **Ретельно перевірте ділянку, де використовуватиметься газонокосарка, і приберіть каміння, палиці, проводи, кістки та інші сторонні предмети.** Предмети, що розлітаються, можуть спричинити серйозні травми.
- **Перед використанням завжди використовуйте огляд, перевіряючи лезо та вузол леза для виявлення ознак зношування чи пошкодження.** Зношені та пошкоджені деталі підвищують ризик травмування.
- **Перед початком експлуатації перевірте кабель живлення й подовжувач на предмет пошкоджень або зношення.** Не використовуйте газонокосарку, якщо кабель пошкоджений або зношений. Якщо кабель пошкодився під час використання, вимкніть газонокосарку й не торкайтеся кабелю, доки не від'єднаєте його від джерела живлення. Пошкоджений кабель живлення або подовжувальний кабель можуть спричинити ураження електричним струмом, пожежу чи травмування.
- **Досить часто перевіряйте травозбірник на наявність ознак зносу чи псування.** Пошкоджений чи зношений травозбірник може спричинити травмування.
- **Захист має бути встановлено на своєму місці. Захист повинен бути справним і правильно встановленим.** Погано закріплений, пошкоджений або несправний захист може призвести до травмування.
- **Тримайте кабель живлення подалі від різальних лез.** Пошкоджений кабель живлення може спричинити ураження електричним струмом, пожежу чи травмування.
- **Вимкніть виріб і вийміть вилку кабелю живлення з розетки, якщо кабель заплутався чи пошкодився.** Заплутаний чи пошкоджений кабель підвищує ризик ураження струмом.
- **Не торкайтеся лез чи інших небезпечних деталей, поки вони рухаються.** Це дасть змогу знизити ризик травмування рухомими деталями.
- **Під час видалення застряглих обрізків або чищення газонокосарки всі вимикачі електроживлення повинні перебувати у вимкненому положенні, а кабель живлення має бути від'єднаний.** Неочікуваний запуск газонокосарки може призвести до тяжкого травмування.

### Пристрій захисного вимкнення

- Використовуйте пристрій захисного вимкнення зі струмом вимкнення щонайбільше 30 мА.

### Загальні правила техніки безпеки



**ПОПЕРЕДЖЕННЯ:** Перш ніж розпочати використання виробу, уважно прочитайте наведені нижче попередження.

- Цей виріб може бути небезпечним у разі неправильного або недбалого використання. Порушення правил техніки безпеки може призвести до травм або смерті.
- Під час роботи цього виробу утворюється електромагнітне поле. Це поле може за деяких умов взаємодіяти з активними чи пасивними медичними імплантатами. Щоб зменшити ризик тяжких або смертельних травм, рекомендуємо особам із медичними імплантатами проконсультуватися зі своїм лікарем і виробником медичного імплантату перед початком експлуатації цього виробу.
- Завжди будьте обережні й керуйтеся здоровим глуздом. Якщо ви маєте сумніви щодо того, як користуватися виробом у конкретній ситуації, припиніть роботу та проконсультуйтеся з дилером Husqvarna.
- Пам'ятайте, що оператор несе відповідальність за нещасні випадки, в результаті яких постраждали інші особи або їхнє майно.
- Тримайте виріб у чистоті. Переконайтеся, що знаки та наклейки знаходяться в читабельному стані.
- У жодному разі не дозволяйте користуватися приладом дітям або людям, які не ознайомилися з цим посібником. Вік оператора може обмежуватися місцевими нормами.
- Завжди наглядуйте за особами з обмеженими фізичними чи розумовими можливостями, що використовують виріб. Біля виробу, що працює, має завжди перебувати відповідальна доросла особа.
- Забороняється використовувати виріб, якщо ви втомлені, хворі, чи перебуваєте під впливом наркотиків, алкоголю або медикаментів. Ці фактори мають негативний вплив на ваш зір, зосередженість, свідомість та координацію рухів.
- Забороняється використовувати виріб у разі його несправності.
- Забороняється зміни в конструкцію виробу чи використовувати виріб, якщо є підозра, що його було змінено сторонніми особами.
- Не використовуйте виріб під дощем або в умовах підвищеної вологості. Потрапання води у виріб збільшує загрозу ураження електричним струмом.
- Забороняється використовувати виріб без правильно встановленого леза та всіх кожухів. Неправильно встановлене лезо може від'єднатися і призвести до травм.
- Слідкуйте, щоб лезо не зачіпляло сторонні предмети на кшталт каміння та коріння. Це може призвести до пошкодження леза та згинання вала двигуна. Зігнута вісь викликає значні вібрації та призводить до ризику від'єднання леза від виробу.
- У разі удару леза об будь-який сторонній предмет чи появи вібрації негайно зупиніть виріб. Зупиніть двигун, переведіть запобіжник у положення «0» і вийміть акумулятор. Зачекайте, доки рухомі деталі зупиняться. Перевіряйте виріб на наявність пошкоджень. Надійно закріпіть деталі, що розхиталися. Відремонтуйте пошкодження й замініть пошкоджені деталі. Доручайте ремонт авторизованому центру обслуговування.
- Забороняється закріплювати ручку зупинення двигуна на рукоятці, коли працює двигун.
- Поставте виріб на тверду рівну поверхню й увімкніть його. При цьому лезо не повинно торкатися землі або інших предметів.
- Під час роботи з виробом завжди залишайтеся позаду нього.
- Під час роботи з виробом всі колеса мають залишатися на землі, а обидві руки треба тримати на ручці. Тримайте руки й ноги на безпечній відстані від лез, що обертаються.
- Не нахиляйте виріб під час запуску двигуна чи використання.
- Будьте обережні під час руху у зворотному напрямку.
- Забороняється піднімати виріб, коли двигун увімкнений. Якщо треба підняти виріб, спочатку зупиніть двигун, переведіть запобіжник у положення «0» і вийміть акумулятор.
- Не рухайтесь у зворотному напрямку під час роботи з виробом.
- Коли потрібно нахилити виріб для перенесення або перед його переміщенням ділянкою без трави, як-от асфальтом чи бруцаткою, вимикайте двигун.
- Не бігайте з виробом, коли двигун увімкнений. Під час роботи з виробом необхідно ходити зі звичайною швидкістю.
- Вимикайте двигун, перш ніж змінювати висоту різання. Забороняється виконувати регулювання при увімкненому двигуні.
- Забороняється залишати виріб без нагляду коли двигун працює. Зупиніть двигун та переконайтеся, що ріжуче обладнання не обертається.
- Рівень вібрації виробу під час роботи може відрізнятись від заявленого в розділі *Технічні*

## Техніка безпеки

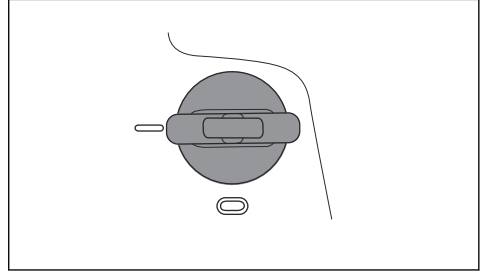


**ПОПЕРЕДЖЕННЯ:** Перш ніж розпочати використання виробу, уважно прочитайте наведені нижче попередження.

- Використовуйте виріб лише для скошування трав'яних газонів. Заборонено використовувати виріб для інших цілей.
- Використовуйте засоби індивідуального захисту. Див. *Засоби індивідуального захисту на сторінці 696*.
- Дізнайтеся, як швидко зупинити двигун в екстреній ситуації.

характеристики на сторінці 711. Відмінність зумовлена різними умовами використання виробу. Якщо ви використовуєте виріб часто або впродовж довгого часу, регулярно робіть перерви, щоб уникнути травмування внаслідок вібрації.

- Для перевірки ключа безпеки запустіть і зупиніть двигун.
- Якщо ключ безпеки справний, двигун заводиться, лише якщо повернути ключ у положення «1».



## Правила техніки безпеки під час використання

### Засоби індивідуального захисту



**ПОПЕРЕДЖЕННЯ:** Перш ніж розпочати використання виробу, уважно прочитайте наведені нижче попередження.

- Засоби індивідуального захисту не можуть повністю усунути небезпеку травмування, але в разі нещасного випадку знизять ступінь тяжкості травми. Дозвольте дилеру допомогти вам із вибором підходящого обладнання.
- Використовуйте взуття із захистом від ковзання для роботи у важких умовах. Забороняється використовувати відкрите взуття або працювати взагалі без нього.
- Використовуйте цупкі довгі штани.
- За потреби використовуйте рукавички, наприклад, якщо необхідно приєднати, оглянути або почистити різальне обладнання.
- Рекомендуємо використовувати засоби захисту органів слуху.

### Запобіжне обладнання на виробі



**ПОПЕРЕДЖЕННЯ:** Перш ніж розпочати використання виробу, уважно прочитайте наведені нижче попередження.

- Не використовуйте виріб із пошкодженими захисними пристроями.
- Не демонтуйте захисні пристрої та не вносьте в їх конструкцію зміни.
- Регулярно перевіряйте захисні пристрої. У випадку пошкодження захисних пристроїв зверніться до центру обслуговування Husqvarna.

### Перевірка кожуха леза

Кожух леза частково поглинає вібрацію виробу та знижує небезпеку травмування лезом.

- Огляньте кожух леза та переконайтеся, що він не має пошкоджень на кшталт тріщин.

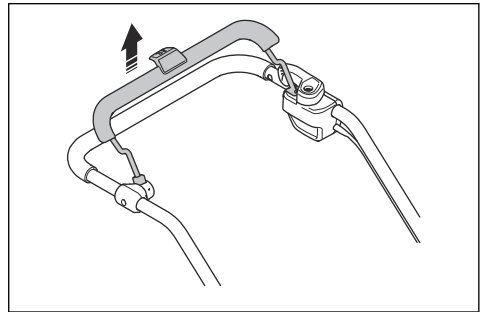
### Перевірка ключа безпеки

Ключ безпеки знаходиться під кришкою акумуляторного відсіку. Ключ безпеки під'єднує акумулятор, який у свою чергу живить двигун.

### Перевірка ручки зупинення двигуна

Ручка зупинення двигуна зупиняє двигун. За відпускання ручки зупинення двигуна він зупиняється.

- Запустіть виріб. Див. *Експлуатація на сторінці 699*.
- Відпустіть ручку зупинення двигуна.



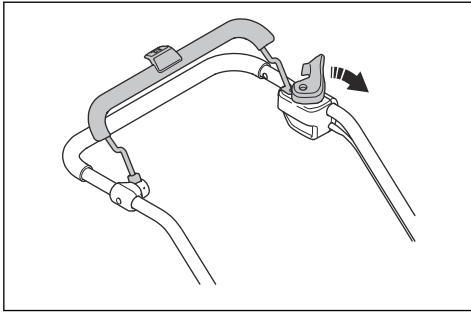
- Переконайтеся, що виріб зупиняється. Якщо двигун не зупиняється протягом 3 секунд, необхідно передати виріб в авторизований центр обслуговування Husqvarna для налаштування гальма двигуна.

### Перевірка обмежувача запуску

Перевірте обмежувач запуску, щоб переконаватися, що він дійсно блокує роботу двигуна.

1. Перемістіть ручку зупинення двигуна в напрямку рукоятки. Обмежувач запуску блокує рух.

## 2. Потягніть обмежувач запуску.



3. Відпустіть обмежувач запуску та переконайтеся, що він повертається до початкового положення.

## Заходи безпеки під час роботи з акумуляторами



**ПОПЕРЕДЖЕННЯ:** Перш ніж розпочати використання виробу, уважно прочитайте наведені нижче попередження.

- Для живлення виробів Husqvarna необхідно використовувати лише акумулятори Husqvarna. Щоб уникнути травмування, заборонено використовувати акумулятор в якості джерела живлення для інших приладів.
- Не використовуйте одноразові батареї.
- небезпека ураження електричним струмом. Забороняється під'єднувати клеми акумулятора до ключів, монет, гвинтів або інших металевих предметів. Це може призвести до короткого замикання в акумуляторі.
- Заборонено вставляти предмети у вентиляційні отвори акумулятора.
- Тримайте акумулятор подалі від прямих сонячних променів, джерел тепла й відкритого вогню. Акумулятор може вибухнути, що призведе до опіків та / або хімічних опіків.
- Бережіть акумулятор від дощу та вологі.
- Захищайте акумулятор від впливу мікрохвиль чи високого тиску.
- Заборонено розбирати чи ламати акумулятор.
- У разі витікання рідини з акумулятора слідкуйте, щоб вона не потрапила на тіло чи в очі. Якщо рідина потрапила на шкіру, промийте вражену ділянку великою кількістю води та зверніться за медичною допомогою.
- Використовуйте акумулятор виробу лише за температури навколишнього середовища від 5 °C до 40 °C.
- Використовуйте зарядний пристрій акумулятора лише за температури навколишнього середовища від 5 °C до 40 °C.

- Акумулятор не заряджатиметься, якщо його температура перевищує 50 °C.
- Заборонено мити батарею чи зарядний пристрій водою. Див. *Чищення акумулятора та зарядного пристрою на сторінці 707.*
- Не використовуйте несправний чи пошкоджений акумулятор.
- Зберігайте акумулятор подалі від металевих предметів на кшталт цвяхів, монет, ювелірних виробів.

## Заходи безпеки під час роботи із зарядним пристроєм



**ПОПЕРЕДЖЕННЯ:** Перш ніж розпочати використання виробу, уважно прочитайте наведені нижче попередження.

- Для заряджання замічних акумуляторів Husqvarna необхідно використовувати лише зарядні пристрої QC.
- Ризик короткого замикання й ураження електричним струмом. Забороняється вставляти предмети у вентиляційні отвори зарядного пристрою. Заборонено розбирати зарядний пристрій. Не торкайтеся металевих предметів контактами зарядного пристрою. Використовуйте сертифіковані електричні розетки.
- Під час роботи цього виробу утворюється електромагнітне поле. Це поле може за деяких умов взаємодіяти з активними чи пасивними медичними імплантатами. Щоб зменшити ризик тяжких або смертельних травм, рекомендуємо особам із медичними імплантатами проконсультуватися зі своїм лікарем і виробником медичного імплантату перед початком експлуатації цього виробу.
- Регулярно перевіряйте шнур живлення зарядного пристрою на предмет пошкоджень та тріщин.
- Заборонено підіймати зарядний пристрій, тримаючи його за шнур живлення. Щоб від'єднати зарядний пристрій від настінної розетки, витягніть штепсельну вилку. У жодному разі не тягніть за шнур живлення.
- Тримайте шнур живлення та подовжувачі на безпечній відстані від води, мастил і гострих предметів. Переконайтеся, що кабель не здавлено дверима, огорожею або іншими предметами. У такому випадку зарядний пристрій може опинитися під напругою.
- Заборонено мити зарядний пристрій водою.
- Діти віком від 8 років та особи з обмеженими фізичними, сенсорними або психічними можливостями або особи, які не мають досвіду та знань, можуть використовувати зарядний пристрій лише під наглядом або після належного інструктажу щодо безпечного його використання, за умови розуміння ними пов'язаних із таким використанням ризиків. Дітям

забороняється грати із зарядним пристроєм. Дітям забороняється виконувати чищення та обслуговування без нагляду.

- Не намагайтеся заряджати одноразові батареї за допомогою зарядного пристрою.
- Заборонено використовувати зарядний пристрій поблизу легкозаймистих або корозійних матеріалів. Заборонено накривати зарядний пристрій. При появі диму чи вогню витягніть штепсель зарядного пристрою з розетки.
- Не використовуйте зарядний пристрій із ознаками пошкодження.
- Заряджати акумулятор слід тільки в добре провітрюваних приміщеннях та подалі від сонячного світла. Не заряджайте акумулятор у вологому середовищі.

## Правила техніки безпеки під час обслуговування



**ПОПЕРЕДЖЕННЯ:** Перш ніж розпочати використання виробу, уважно прочитайте наведені нижче попередження.

- Для запобігання ненавмисному запуску двигуна під час обслуговування переведіть ключ безпеки в положення «0» та вийміть акумулятор. Перед початком обслуговування зачекайте щонайменше 5 секунд.
- Виконуйте лише те технічне обслуговування, що наведене в цьому посібнику користувача. Більш серйозні роботи й професійний ремонт повинні

виконуватися співробітниками авторизованих центрів обслуговування. Більш детально інформація можна дізнатися в найближчому центрі обслуговування.

- Виконуйте технічне обслуговування правильно, адже це допоможе збільшити термін експлуатації виробу та зменшити небезпеку виникнення нещасних випадків.
- Замінійте пошкоджені, зношені або зламані деталі. Завжди використовуйте лише оригінальні запасні частини виробника. Інші запасні частини можуть пошкодити виріб і підвищити ризик нещасних випадків.
- Щоб запобігти травмуванню, не знімайте захисні пристрої та не змінюйте їх конструкцію.
- Під час роботи з різальним обладнанням завжди надягайте міцні рукавиці. Лезо дуже гостре, ним можна легко порізатися.
- Для найкращої продуктивності та безпеки слід підтримувати різальні кромки гострими та чистими.
- Регулярно віддавайте виріб у центр обслуговування, де його будуть перевіряти, робити необхідні налаштування або ремонт.
- Дотримуйтеся інструкцій щодо заміни аксесуарів. Користуйтеся аксесуарами лише від виробника обладнання.
- Коли виріб не використовується, зберігайте його окремо від акумулятора та зарядного пристрою в сухому закритому приміщенні. Переконайтеся, що діти та особи без належної підготовки не зможуть отримати доступ до виробу, акумулятора чи зарядного пристрою.

## Збирання

### Вступ



**ПОПЕРЕДЖЕННЯ:** Перед монтажем виробу необхідно прочитати розділ про заходи безпеки.

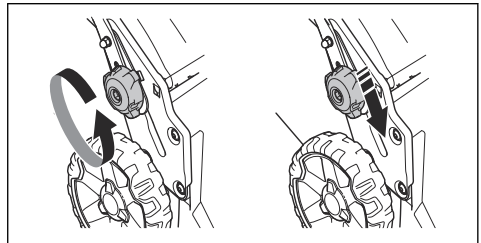


**ПОПЕРЕДЖЕННЯ:** Щоб запобігти випадковому ввімкненню виробу під час збирання, поверніть ключ безпеки в положення «0», вийміть акумуляторну батарею та почекайте принаймні 5 секунд.

### Регулювання ручки

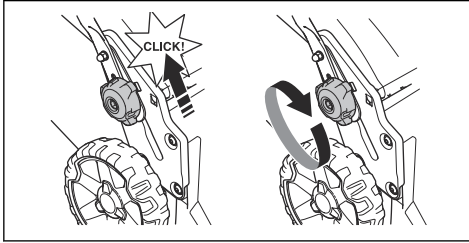
1. Відпустіть нижні фіксувальні головки.

2. Пересуньте головки у нижню частину прорізів зліва та справа виробу.



3. Встановіть висоту ручки в одне з двох доступних положень.

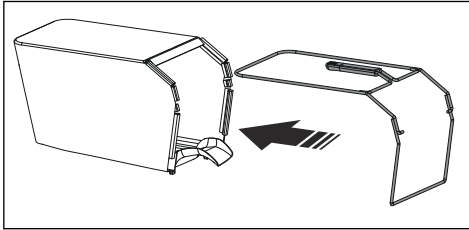
- Пересуньте головки вгору в напрямку ручки, доки вони не зупиняться та ви не почуєте клацання.



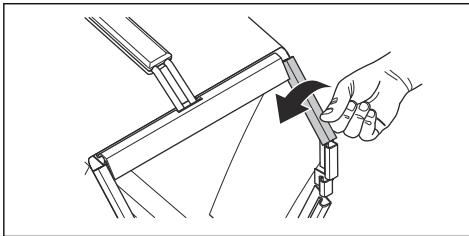
- Надійно затягніть фіксуючі голівки.

## Монтаж травозбірника

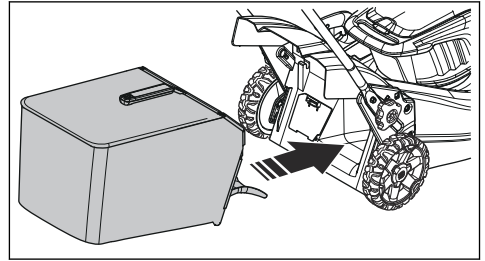
- Встановіть раму травозбірника на мішок для трави. Твердий бік мішка має бути знизу. Тримайте рукоятку рами зверху мішка для трави.



- Вставте нижню частину рами травозбірника в паз знизу травозбірника.
- Зафіксуйте мішок для трави на рамі травозбірника за допомогою затискачів.

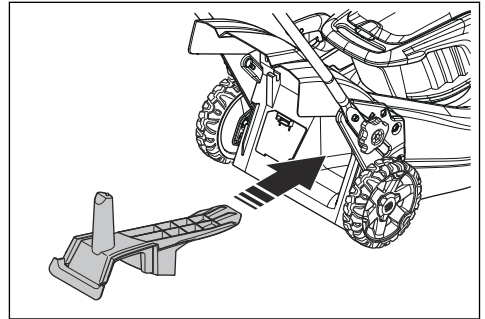


- Підніміть задню кришку.
- Під'єднайте травозбірник до верхньої кромки рами.
- Встановіть нижню частину травозбірника в канал викидання трави.



## Монтаж заглушки для мульчування (аксесуар)

- Підніміть задню кришку і вийміть травозбірник.
- Вставте заглушку для мульчування в канал викидання.



- Замініть стандартне лезо на лезо для мульчування, що постачається в комплекті приладдя для мульчування. Див. *Заміна ножа на сторінці 707.*

## Експлуатація

### Вступ



**ПОПЕРЕДЖЕННЯ:** Перед експлуатацією виробу обов'язково прочитайте й усвідомте зміст розділу про заходи безпеки.

### Husqvarna Connect

Husqvarna Connect є безкоштовною програмою для мобільного пристрою. У програмі Husqvarna

Connect доступна ціла низка розширених функцій для користування Husqvarna:

- розширена інформація про виріб;
- відомості про деталі й обслуговування виробу, а також довідкова інформація.

### Щоб почати користуватися Husqvarna Connect

- Завантажте програму Husqvarna Connect на свій мобільний пристрій.
- Зареєструйтеся в програмі Husqvarna Connect.



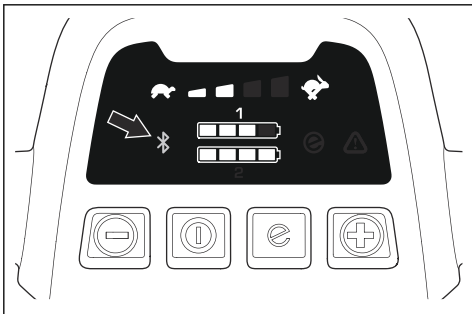
3. Виконайте вказівки з підключення та реєстрації виробу, наведені в програмі Husqvarna Connect.

**Зверніть увагу:** У деяких країнах програма Husqvarna Connect може бути недоступною для завантаження. По додаткову інформацію звертайтеся до свого сервісного дилера.

## Bluetooth® інформація (LC 347iVX, LC 353iVX)

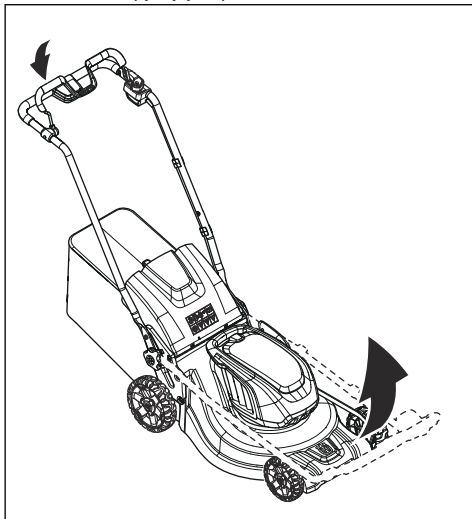
### Технологія бездротового зв'язку Bluetooth®

Символ технології бездротового зв'язку *Bluetooth®* з'являється, коли ваш мобільний пристрій підключено до виробу.

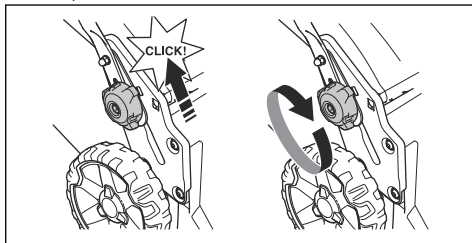


### Встановлення виробу в положення для експлуатації

1. Розкладіть ручку у вертикальне положення.



2. Пересуньте фіксувальні головки вгору в напрямку ручки, доки вони не зупиняться й ви не почуєте клацання.



3. Надійно затягніть фіксувальні головки.



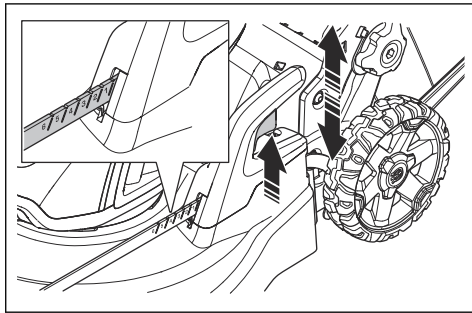
### ПОПЕРЕДЖЕННЯ:

Не використовуйте виріб, якщо ручка не складена повністю та не встановлена в одне із чотирьох відповідних положень висоти. Див. *Регулювання ручки на сторінці 698.*

### Налаштування висоти різання

Можна встановити 6 різних рівнів висоти різання.

1. Для зменшення висоти різання потягніть важіль регулювання висоти різання вниз.
2. Для збільшення висоти різання потягніть важіль регулювання висоти різання вгору.



**УВАГА:** Не встановлюйте занадто низьку висоту різання. Леза можуть зачепити землю, якщо поверхня газону буде нерівною.

### Акумулятор



**ПОПЕРЕДЖЕННЯ:** Перед використанням акумулятора обов'язково прочитайте й усвідомте зміст розділу про заходи безпеки. Також необхідно прочитати й усвідомити зміст посібника користувача для акумулятора та зарядного пристрою.

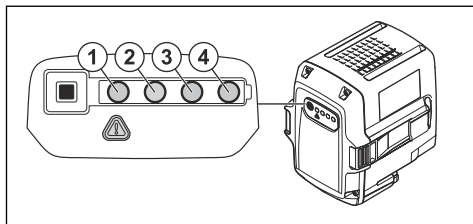


Дотримуйтеся вимог щодо температури навколишнього середовища для акумулятора й зарядного пристрою.

	<b>Температура навколишнього середовища</b>
Використання акумулятора	5–40 °C
Зарядження акумулятора	5–40 °C

## Стан акумулятора

На дисплеї відображаються поточний стан заряду акумулятора та можливі проблеми під час його роботи. Поточний стан заряду акумулятора відображається протягом 5 секунд після вимкнення виробу або натискання індикаторної кнопки акумулятора. У разі виникнення будь-якої помилки на дисплеї акумулятора з'являється попереджувальний символ. Див. *Акумулятор на сторінці 708*.



Світлодіодні індикатори	Стан акумулятора
Горять усі світлодіодні індикатори	Акумулятор заряджений повністю (75-100 %)
Горять світлодіодні індикатори 1, 2 та 3	Акумулятор заряджений на 50-75 %.
Горять світлодіодні індикатори 1 та 2	Акумулятор заряджений на 25-50 %.
Горить світлодіодний індикатор 1	Акумулятор заряджений на 0-25 %
Блимає світлодіодний індикатор 1	Акумулятор розряджений. Зарядіть акумулятор

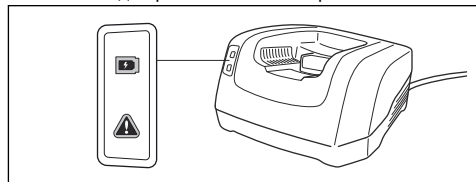
## Зарядка акумулятора

Перед першим використанням акумулятор слід зарядити. Акумулятор постачається зарядженим лише на 30 % ємності.

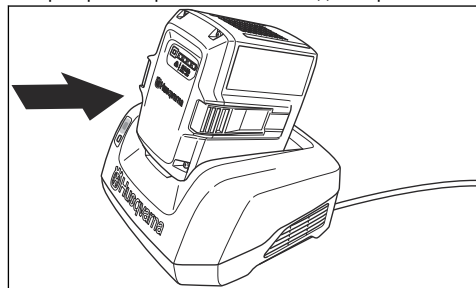
**Зверніть увагу:** Зарядний пристрій слід під'єднувати лише до джерел електроживлення з напругою та частотою, вказаними на таблиці з паспортними даними.

Акумулятор не заряджається, якщо його температура перевищує 50°C. Перед початком заряджання зарядний пристрій зменшує температуру акумулятора.

1. Під'єднайте один кінець шнура живлення зарядного пристрою до його роз'єму.
2. Під'єднайте інший кінець шнура живлення зарядного пристрою до електричної розетки із заземленням. Світлодіод зарядного пристрою блимне один раз зеленим кольором.



3. Встановіть акумулятор у зарядний пристрій. Якщо акумулятор підключено правильно, на зарядному пристрої загоряється зелений індикатор.



4. Якщо загоряються всі світлодіодні індикатори, це означає, що акумулятор повністю заряджений. Тривалість заряджання акумулятора не повинна перевищувати 24 години.
5. Щоб від'єднати зарядний пристрій із розетки, тримайтеся тільки за штепсель, не тягніть за шнур.
6. Вийміть акумулятор із зарядного пристрою.

## Стан заряджання акумулятора

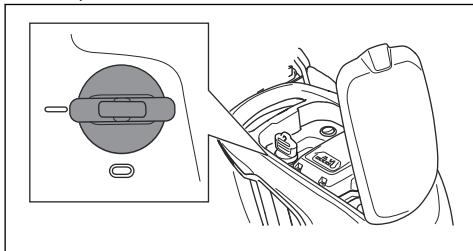
Літій-іонний акумулятор Husqvarna можна заряджати та використовувати за будь-якого рівня зарядки. Акумулятор не буде пошкоджено. Повністю заряджена акумуляторна батарея не втрачає заряд, якщо її залишити в зарядному пристрої.

Світлодіодний дисплей	Стан зарядки
Блимає світлодіодний індикатор 1	0-25 %
Горить світлодіодний індикатор 1, блимає світлодіодний індикатор 2	25-50 %

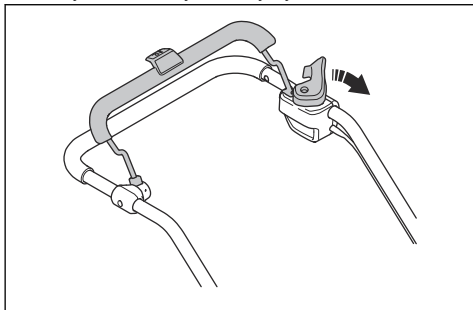
Світлодіодний дисплей	Стан зарядки
Горять світлодіодні індикатори 1, 2, блимає світлодіодний індикатор 3	50-75 %
Горять світлодіодні індикатори 1, 2, 3, блимає світлодіодний індикатор 4	75-100 %
Горять світлодіодні індикатори 1, 2, 3, 4	Заряджено повністю

## Запуск виробу (LC 247i)

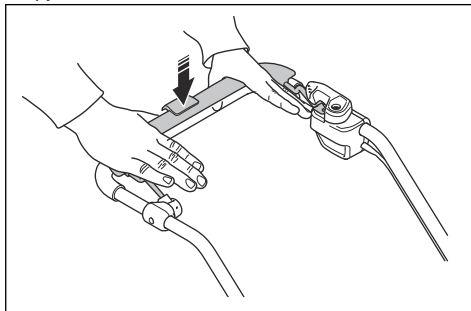
1. Відкрийте кришку акумуляторного відсіку.
2. Вставте заряджений акумулятор в один із тримачів акумулятора. За необхідності тривалішого використання вставте другий заряджений акумулятор в інший тримач акумулятора.
3. Поверніть ключ безпеки в положення «1».



4. Залишайтеся позаду виробу.
5. Відпустіть обмежувач запуску.

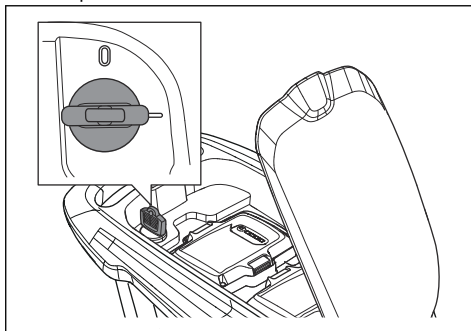


6. Перемістіть ручку зупинення двигуна в напрямку рукоятки.



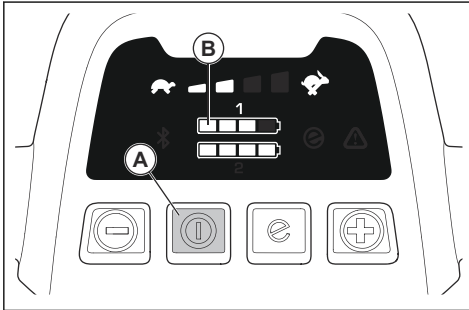
## Запуск виробу (LC 347iVX, LC 353iVX)

1. Відкрийте кришку акумуляторного відсіку.
2. Вставте заряджений акумулятор в один із тримачів акумулятора. За необхідності тривалішого використання вставте другий заряджений акумулятор в інший тримач акумулятора.
3. Поверніть ключ безпеки в положення «1».

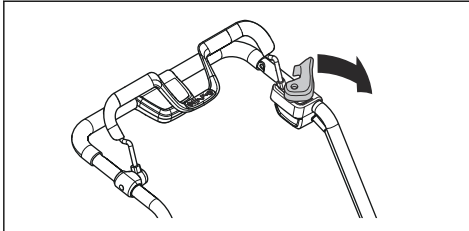


4. Залишайтеся позаду виробу.

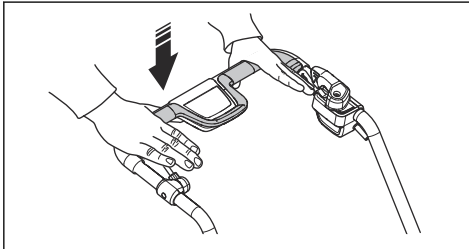
5. Натисніть кнопку ввімкнення / вимкнення (A) на панелі керування. Після цього ввімкнеться дисплей. Індикатор стану акумулятора (B) покаже стан заряду двох акумуляторів. Номер акумулятора, який використовується, вказано поряд з індикатором стану акумулятора. У моделях LC 347iVX, LC 353iVX на дисплеї також вказано встановлену швидкість.



6. Відпустіть обмежувач запуску.

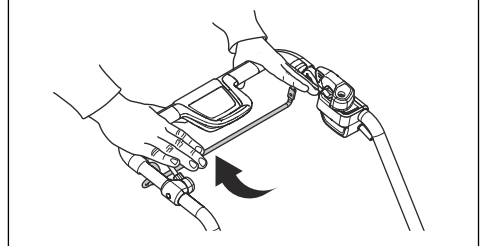


7. Перемістіть ручку зупинення двигуна в напрямку рукоятки.

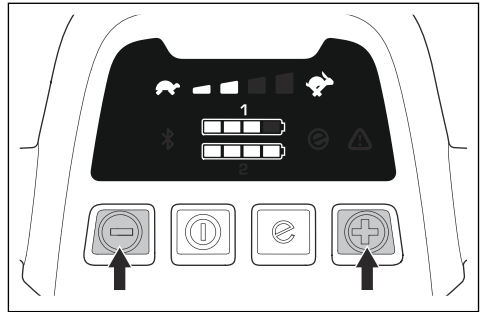


## Підключення приводу до коліс LC 347iVX, LC 353iVX

- Щоб запустити привід, потягніть привідну скобу в напрямку рукоятки.



- Ви можете перемикатися між 4 рівнями швидкості приводу за допомогою кнопок «+» і «-» на панелі керування.

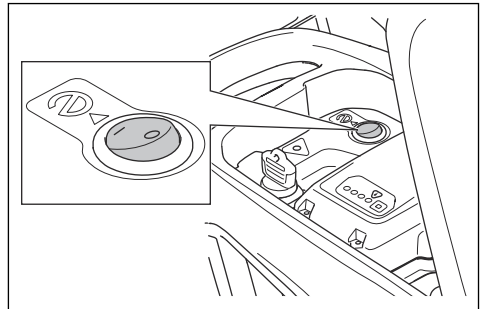


- У разі наближенні до перешкоди відпустіть привідну скобу, щоб розчепити привід.

## Використання функції SavE™ (LC 247i)

Виріб оснащений функцією збереження заряду акумулятора (SavE™), що дозволяє подовжити час використання.

- Для ввімкнення функції встановіть перемикач SavE™ у положення «1».



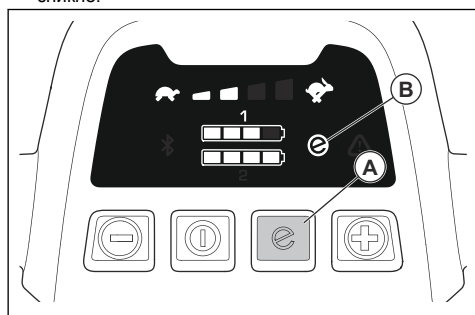
- Для вимкнення функції встановіть перемикач SavE™ у положення «0».

**Зверніть увагу:** Функція SavE™ вимикається автоматично, якщо через стан поверхні потрібна більша потужність. Коли стан поверхні дозволяє, функція SavE™ знову вмикається автоматично.

## Використання функції SavE™ (LC 347iVX, LC 353iVX)

Виріб оснащений функцією збереження заряду акумулятора (SavE™), що дозволяє подовжити час використання.

1. Для ввімкнення функції натисніть кнопку SavE™ (A). Після цього на дисплеї з'явиться символ SavE™ (B).
2. Для вимкнення функції натисніть кнопку SavE™ ще раз. Після цього символ SavE™ (B) на дисплеї зникне.



**Зверніть увагу:** Функція SavE™ вимикається автоматично в разі, якщо умови поверхні потребують збільшення потужності. Якщо умови поверхні дозволяють, функція SavE™ знову вмикається автоматично.

## Функція підвищеної потужності

Якщо виріб використовується для зрізання довгої чи вологої трави, двигун автоматично збільшує оберти. Коли необхідність у підвищеній потужності зникає, двигун повертається до роботи в стандартному режимі.

## Автоматичний перезапуск

Під час роботи лезо й двигун можуть тимчасово зупинитися, якщо під кожухом леза є засмічення на кшталт скупчень трави. Якщо це сталося й ви втримуєте ручку гальма двигуна в натиснутому положенні, виріб спробує виконати автоматичний перезапуск. Якщо виріб не перезапустився за 5 секунд, може знадобитися почистити дно кожуха леза. Див. *Чищення виробу на сторінці 706.*



**ПОПЕРЕДЖЕННЯ:** Перед перевіркою кожуха леза відпустіть ручку гальма двигуна, переведіть ключ безпеки

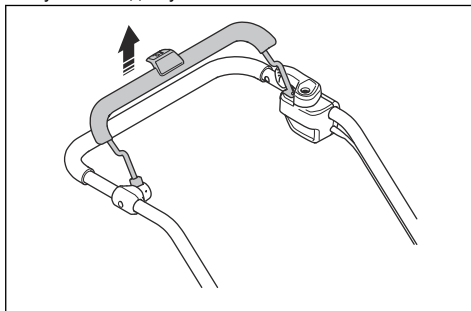
в положення «0», вийміть акумулятор і зачекайте щонайменше 5 секунд. Існує ризик того, що після усунення засмічення виріб раптово запуститься й травмує оператора.

## Вимкнення виробу (LC 247i)

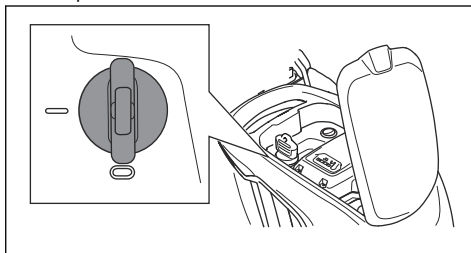


**ПОПЕРЕДЖЕННЯ:** Залишаючи виріб без нагляду, повертайте ключ безпеки в положення «0».

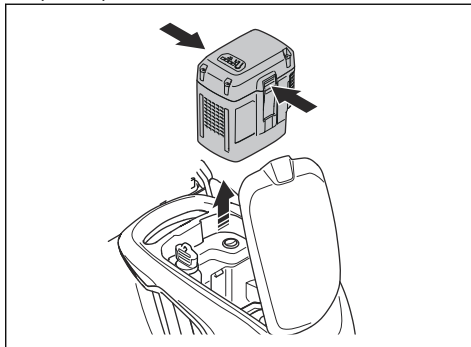
1. Для зупинення двигуна відпустіть ручку зупинення двигуна.



2. Відкрийте кришку акумуляторного відсіку та поверніть ключ безпеки в положення «0».



3. Щоб вийняти акумулятор, натисніть дві кнопки фіксатора й витягніть його.



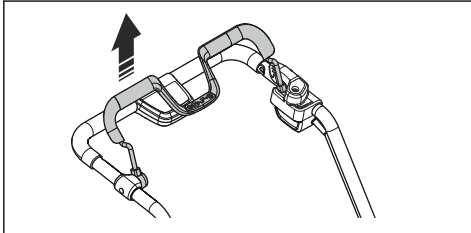
4. Якщо рівень заряду акумулятора низький, зарядіть його. Для отримання більш детальної інформації див. *Зарядка акумулятора на сторінці 701.*

## Вимкнення виробу (LC 347iVX, LC 353iVX)

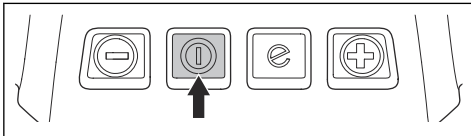


**ПОПЕРЕДЖЕННЯ:** Залишаючи виріб без нагляду, повертайте ключ безпеки в положення «0».

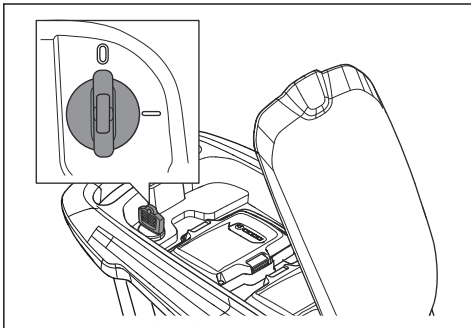
1. Для зупинення двигуна відпустіть ручку зупинення двигуна.



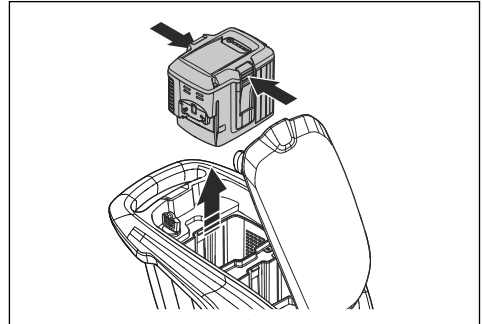
2. Натисніть кнопку ввімкнення / вимкнення на панелі керування. Усі світлодіодні індикатори й символи на дисплеї вимкнуться.



3. Відкрийте кришку акумуляторного відсіку та поверніть ключ безпеки в положення «0».



4. Щоб вийняти акумулятор, натисніть дві кнопки фіксатора й витягніть його.



5. Якщо рівень заряду акумулятора низький, зарядіть його. Для отримання більш детальної інформації див. *Зарядка акумулятора на сторінці 701.*

**Зверніть увагу:** Якщо виріб не використовується протягом кількох хвилин, він автоматично вимикається. Щоб знову ввімкнути виріб, виконайте інструкції з розділу *Запуск виробу (LC 347iVX, LC 353iVX)* на сторінці 702.

## Забезпечення ефективної роботи

- Завжди користуйтеся гострим лезом. Тупе лезо ріже нерівно, а трава на поверхні розрізу жовтіє. Крім того, гостре лезо споживає менше енергії за тупе.
- Не скошуйте більше  $\frac{1}{3}$  довжини трави. Спочатку треба виконувати скошування з великою висотою різання. Оцініть результат і зменште висоту зрізання на потрібну вам. Якщо трава дуже довга, ведіть газонокосарку повільно і виконайте скошування двічі, якщо це необхідно.
- Косіть щоразу в різних напрямках, щоб на газоні не було смуг.
- Тримайте кожух леза в чистоті. Скупчення трави й бруду на внутрішньому боці кожуха леза може негативно вплинути на результат роботи. Див. *Чищення виробу на сторінці 706.*

## Скошування трави без травозбірника чи заглушки для мульчування

- Підніміть задню кришку та вийміть травозбірник.
- Зніміть заглушку та лезо для мульчування, якщо вони встановлені.
- Перед використанням виробу закрийте задню кришку.

Під час експлуатації виробу зрізана трава викидається під задньою кришкою.

# ТЕХНІЧНЕ ОБСЛУГОВУВАННЯ

## Вступ



**ПОПЕРЕДЖЕННЯ:** Перед виконанням робіт із технічного обслуговування обов'язково прочитайте й усвідомте зміст розділу про заходи безпеки.

Для всіх робіт з обслуговування та ремонту необхідна спеціальна підготовка. Ми гарантуємо доступність послуг із професійного ремонту та обслуговування. Якщо ваш дилер не є одночасно центром обслуговування, зверніться до нього по інформацію щодо найближчого центру обслуговування.

Для отримання більш детальної інформації див. [www.husqvarna.com](http://www.husqvarna.com).

## Графік технічного обслуговування

Інтервали технічного обслуговування вказані з урахуванням щоденного використання виробу. Інтервали змінюються для іншої частоти використання виробу.

Інформацію щодо технічного обслуговування елементів, помічених знаком \* див. у *Безпека на сторінці 692*.

	Перед кожним використанням	Щомісяця	Щоквартально
Загальна перевірка	X		
Очищення виробу	X		
Перевірка обмежувача запуску*	X		
Переконайтеся, що захисні пристрої виробу є справними*	X		
Перевірка різального обладнання	X		
Перевірка кожуха леза*	X		
Перевірка ручки зупинення двигуна*	X		
Перевірка правильності та справності роботи кнопки «УВІМК./ВИМКН.»	X		
Перевірка акумулятора на наявність пошкоджень	X		
Перевірка рівня заряду акумулятора	X		
Перевірка справності кнопки фіксатора на акумуляторі та надійності утримання акумулятора у виробі	X		
Перевірка зарядного пристрою на наявність пошкоджень та правильності його роботи.		X	
Перевірка з'єднань між акумулятором та виробом. Перевірка з'єднань між акумулятором та зарядним пристроєм.			X

## Процедура загальної перевірки

- Переконайтеся, що всі гайки й гвинти на виробі затягнуті.
- Переконайтеся, що кабелі встановлені так, щоб вони не пошкодились.

## Чищення виробу

- Для очищення пластмасових деталей використовуйте суху чисту тканину.
- Не користуйтеся водою для очищення виробу. Вода може потрапити в акумулятор чи двигун та призвести до короткого замикання або пошкодження виробу.
- Для чищення виробу не використовуйте миючий апарат високого тиску.

- Заборонено лити воду безпосередньо на двигун.
- Прибирайте листя, траву та бруд за допомогою щітки.

## Чищення акумулятора та зарядного пристрою



**ПОПЕРЕДЖЕННЯ:** Заборонено мити батарею чи зарядний пристрій водою.

- Перш ніж вставити акумулятор у зарядний пристрій, переконайтеся, що акумулятор і зарядний пристрій чисті й сухі.
- Чистити контакти акумулятора потрібно стисненим повітрям або за допомогою м'якої сухої ганчірки.
- Чистити поверхню акумулятора та зарядного пристрою потрібно за допомогою м'якої сухої ганчірки.

## Перевірка різального обладнання



**ПОПЕРЕДЖЕННЯ:** Щоб запобігти випадковому ввімкненню виробу, поверніть ключ безпеки в положення «0», вийміть акумуляторну батарею та почекайте принаймні 5 секунд.



**ПОПЕРЕДЖЕННЯ:** Під час технічного обслуговування різального обладнання використовуйте захисні рукавиці. Лезо дуже гостре, ним можна легко порізатися.

1. Перевірте різальне обладнання на наявність пошкоджень або тріщин. Обов'язково замінійте пошкоджене різальне обладнання.
2. Огляньте лезо на предмет пошкоджень або затуплення.

**Зверніть увагу:** Після гостріння леза необхідно відрегулювати його баланс. Гостріння, заміну та балансування леза необхідно проводити в центрі обслуговування. У разі потраплення на перешкоду, що призвела до зупинки двигуна, замініть пошкоджене лезо. Спеціалісти центру обслуговування мають провести оцінювання стану леза та надати консультацію щодо необхідності його гостріння або заміни.

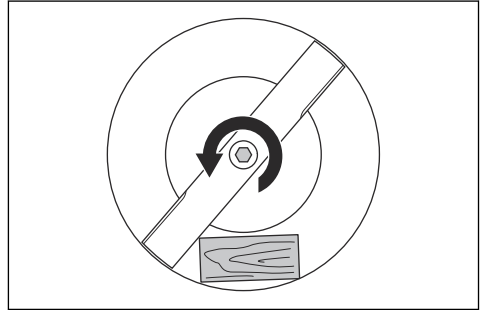
## Заміна ножа

Правильний тип леза див. у розділі *Технічні характеристики на сторінці 711.*

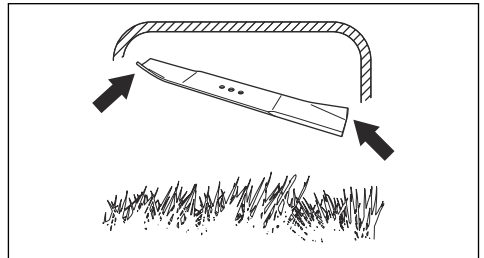


**ПОПЕРЕДЖЕННЯ:** Заблокуйте лезо дерев'яним брусом, щоб уникнути травмування пальців під час його заміни. Лезо може рухатися, навіть коли двигун вимкнено, і це може призвести до застрягання пальців між лезом і нерухомими деталями.

1. Зафіксуйте лезо дерев'яним брусом.

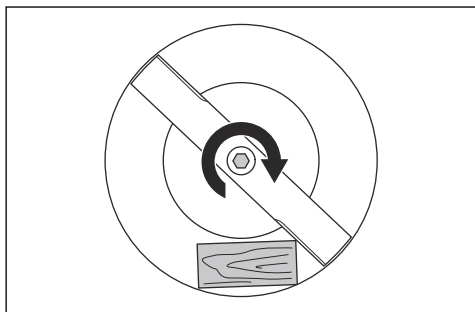


2. Вийміть болт леза.
3. Зніміть лезо.
4. Перевірте опору леза та болт на предмет пошкоджень.
5. Перевірте вал двигуна на предмет згинань.
6. Під час встановлення нового леза направляйте розміщені під кутом кінці в напрямку кожуха леза.



7. Переконайтеся, що лезо знаходиться на одному рівні з центром вала двигуна.

8. Зафіксуйте лезо дерев'яним брусом. Встановіть пружинну шайбу та затягніть болт і шайбу з моментом 23–28 Н·м.



9. Прокрутіть лезо рукою й переконайтеся в тому, що воно вільно обертається.



### ПОПЕРЕДЖЕННЯ:

Використовуйте міцні робочі рукавиці. Лезо дуже гостре, ним можна легко порізатися.

10. Запустіть виріб, щоб перевірити роботу леза. У разі неправильного встановлення леза у виробі буде спостерігатися вібрація або результат скошування буде незадовільний.

## Усунення несправностей

### Акумулятор

Світлодіоди на акумуляторі	Причина	Рішення
Блимає зелений світлодіод.	Низька напруга акумулятора.	Зарядіть акумулятор. Див. <i>Зарядка акумулятора на сторінці 701.</i>
Блимає світлодіодний індикатор помилки.	Занизький рівень заряду акумулятора.	Зарядіть акумулятор. Див. <i>Зарядка акумулятора на сторінці 701.</i>
	Температура в робочому середовищі занадто низька або занадто висока.	Використовуйте акумулятор за температури 5–40 °С.
	Перенапруга.	Переконайтеся, що напруга в мережі відповідає значенням, указаним на табличці з паспортними даними виробу.  Вийміть акумулятор із зарядного пристрою. Почекайте 5 секунд і спробуйте зарядити акумулятор. Якщо проблему не вдається усунути, зверніться в авторизований центр обслуговування.
Горить світлодіодний індикатор помилки.	Завелика різниця напруги між елементами (1 В).	Зверніться в авторизований центр обслуговування.



## Зарядний пристрій

Світлодіодний індикатор на зарядному пристрої	Причина	Рішення
Блимає світлодіодний індикатор помилки.	Температура в робочому середовищі занадто низька або занадто висока.	Використовуйте зарядний пристрій акумулятора за температури 5–40 °С.
Горить світлодіодний індикатор помилки.		Зверніться в авторизований центр обслуговування.

## Газонокосарка

((LC 247i)) або на панелі керування ((LC 347iVX, LC 353iVX)).

Індикатор попередження (світлодіод помилки) знаходиться під кришкою акумуляторного відсіку

Несправність	Світлодіодний індикатор помилки (кількість спалахів)	Причина	Рішення
Світлодіодний індикатор помилки блимає. Виріб працює неправильно.	3	Лезо заблоковане.	Щоб запобігти випадковому запуску двигуна, поверніть ключ безпеки в положення «0». Вийміть акумулятор і зачекайте щонайменше 5 секунд. Видаляйте можливі перешкоди та переконайтеся, що лезо може вільно обертатися. Якщо проблему не вдається усунути, зверніться в авторизований центр обслуговування.
	5	Частота обертання двигуна занадто падає, і він зупиняється.	Збільште висоту різання. Див. <i>Налаштування висоти різання на сторінці 700.</i>
	6 <sup>109</sup>	Колеса або коробку передач заблоковано.	Щоб запобігти випадковому запуску двигуна, поверніть ключ безпеки в положення «0». Вийміть акумулятор і зачекайте щонайменше 5 секунд. Усуньте можливі перешкоди й упевніться, що колеса можуть вільно обертатися. Якщо проблему не вдається усунути, зверніться в авторизований центр обслуговування.
	10	Елементи керування двигуном занадто нагрілися.	Зупиніть двигун і почекайте, доки він охолоне.

<sup>109</sup> LC 347iVX, LC353iVX

Несправність	Світлодіодний індикатор помилки (кількість спалахів)	Причина	Рішення
Світлодіодний індикатор помилки блимає. Виріб зупиняється.	0	Несправність роз'єму акумулятора.	Огляньте роз'єм акумулятора.
	3	Перевантаження двигуна.	Збільште висоту різання. Див. <i>Налаштування висоти різання на сторінці 700.</i>
	8	Занизкий рівень заряду акумулятора.	Зарядіть акумулятор. Див. <i>Зарядка акумулятора на сторінці 701.</i>
	9	Помилка акумулятора або відсутність сигналу від нього.	Правильно вставте акумулятор у виріб і перевірте його роз'єм. Якщо світлодіодний індикатор на акумуляторі продовжує блимати, Див. <i>Акумулятор на сторінці 708.</i>
	12	Неправильна процедура запуску. Задіяно ручку зупинення двигуна перед його запуском.	Відпустіть ручку зупинення двигуна й зачекайте приблизно 5 секунд. Знову натисніть ручку зупинення двигуна, щоб запустити виріб.
Інші помилки.	У разі появи інших помилок поверніть ключ безпеки в положення «0», вийміть акумулятор і зверніться до затвердженого центру обслуговування.		

## Транспортування, зберігання й утилізація

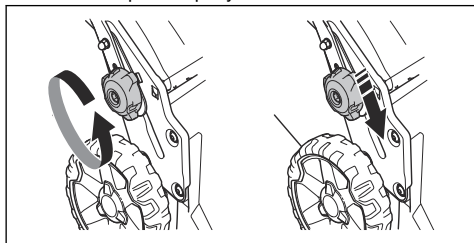
### Вступ



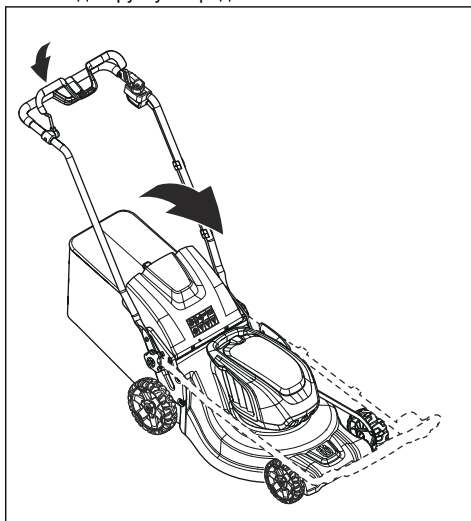
**ПОПЕРЕДЖЕННЯ:** Щоб запобігти випадковому ввімкненню виробу під час транспортування, поверніть ключ безпеки в положення «0», вийміть акумуляторну батарею та почекайте принаймні 5 секунд.

### Встановлення виробу в положення для транспортування

1. Відпустіть нижні фіксувальні головки.
2. Пересуньте головки у нижню частину прорізів зліва та справа виробу.



3. Складіть ручку вперед.



4. Зніміть травозбірник.

## Транспортування

- До літій-іонних акумуляторів, що йдуть у комплекті, застосовується законодавство щодо небезпечних товарів.
- Під час транспортування цивільним транспортом слід дотримуватися спеціальних вимог, що зазначені на пакуванні та наклейках.
- У разі підготовки виробу до транспортування переконайтеся, що ви дотримуетесь законодавства щодо небезпечних матеріалів. Крім того, можуть застосовуватися місцеві норми.
- Перед перевезенням виробу слід завжди виймати акумуляторну батарею.
- Заклейте з'єднувачі акумулятора стрічкою та переконайтеся, що під час транспортування він буде надійно зафіксований.
- Під час транспортування закріплюйте виріб.

## Зберігання

- Перед зберіганням виробу дайте йому охолонути.
- Перед зберіганням виробу слід завжди виймати акумулятор.
- Задля уникнення нещасних випадків переконайтеся, що під час зберігання акумулятор не під'єднаний до виробу.
- Зберігайте зарядний пристрій у сухому місці в закритому приміщенні.
- Зберігайте акумулятор та зарядний пристрій у сухому місці, захищеному від вологи та холоду.
- Під час зберігання від'єднуйте акумулятор від зарядного пристрою.
- Заборонено зберігати акумулятор у місці, де можуть утворюватися статичні заряди. Не зберігайте акумулятор у металевій коробці.
- Зберігайте виріб за температури навколишнього середовища від  $-10\text{ }^{\circ}\text{C}$  до  $40\text{ }^{\circ}\text{C}$ .
- Зберігайте акумулятор за температури навколишнього середовища від  $5\text{ }^{\circ}\text{C}$  до  $25\text{ }^{\circ}\text{C}$  у захищеному від прямих сонячних променів місці.
- Зберігайте зарядний пристрій акумулятора за температури навколишнього середовища від  $5\text{ }^{\circ}\text{C}$

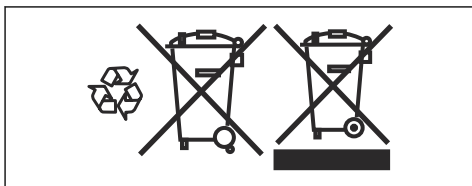
до  $45\text{ }^{\circ}\text{C}$  у захищеному від прямих сонячних променів місці.

- Перед тривалим зберіганням акумуляторної батареї переконайтеся, що рівень її заряду становить 30–50 %.
- Зберігайте виріб, акумулятор та зарядний пристрій у закритому приміщенні, куди не зможуть отримати доступ діти та особи без належної підготовки.
- Почистьте виріб і впевніться, що травозбірник порожній.
- Виконуйте роботи з технічного обслуговування, які описані в цьому посібнику користувача. Див. *ТЕХНІЧНЕ ОБСЛУГОВУВАННЯ* на сторінці 706.
- Перед тривалим зберіганням виробу виконайте його повне технічне обслуговування.

## Утилізація

Символи на виробі або його упаковці вказують на те, що його не слід утилізувати разом з побутовими відходами. Утилізацію цього виробу слід здійснювати на спеціалізованому підприємстві з переробки відходів електричного й електронного обладнання.

Належна утилізація виробу допоможе запобігти потенційному негативному впливу на стан навколишнього середовища та здоров'я людей, який може стати наслідком некоректної обробки відходів. Докладну інформацію про утилізацію цього виробу можна отримати в органах місцевого самоврядування, місцевих службах переробки відходів або в магазині, де було придбано цей пристрій.



## Технічні характеристики

### Технічні характеристики

	LC 247I	LC 347IVX	LC 353IVX
<b>Cutting motor (Різальний двигун)</b>			
Тип двигуна	Двигун постійного струму (без щіток) 36 В	Двигун постійного струму (без щіток) 36 В	Двигун постійного струму (без щіток) 36 В
Швидкість двигуна – SavE, об. на хв	2600/ хв	2600/ хв	2600/ хв
Швидкість двигуна – номінальна, об. на хв	3000/хв	3000/хв	3000/хв

	LC 247i	LC 347iVX	LC 353iVX
Швидкість двигуна – підвищена потужність, об. на хв	3500/хв	3500/хв	3500/хв
Вихідна потужність двигуна – максимальна, кВт	0,96	0,96	1,05
Вихідна потужність двигуна – номінальна, кВт	0,75	0,75	0,9
<b>Повідний двигун</b>			
Вихідна потужність двигуна – номінальна, кВт	Не застосовується	0,25	0,25
Швидкість самохідного руху, км/ч	Не застосовується	3,0-4,5	3,0-4,5
Рівні швидкості	Не застосовується	4	4
<b>Маса</b>			
Маса без мішка (без акумулятора), кг	24,5	26	28
Маса з мішком (з урахуванням BLi30, 2 шт.), кг	30,5	32,0	34,5
<b>Акумулятор</b>			
Тип акумулятора	Серія Husqvarna		
<b>Тривалість роботи акумулятора</b>			
Тривалість роботи акумулятора, хв (холостий хід), із активованою функцією SaveE, з одним акумулятором Husqvarna ємністю 7,7 А-год (BLi30).	62	62	46
Тривалість роботи акумулятора, хв, (холостий хід) у стандартному режимі роботи, з одним акумулятором Husqvarna ємністю 7,7 А-год (BLi30).	43	43	28
<b>Випромінювання шуму <sup>110</sup></b>			
Рівень звукової потужності, дБ (A)	94	94	97
Рівень звукової потужності, гарантований L <sub>WA</sub> дБ(A)	95	95	98
<b>Рівні звуку <sup>111</sup></b>			
Рівень звукового тиску у вусі оператора, дБ (A)	82	82	86
<b>Рівні вібрації <sup>112</sup></b>			
Ручка, м/с <sup>2</sup>	0,42	0,42	2,64

<sup>110</sup> Випромінювання шуму в середовище, виміряне як звукова потужність (L<sub>WA</sub>), відповідає директиві ЄС 2000/14/ЄС.

<sup>111</sup> Заявлені дані про рівень шумового тиску мають похибку (К), яка становить 1,5 дБ (A).

<sup>112</sup> Заявлені дані про рівень вібрації мають похибку (К), яка становить 1,5 м/с<sup>2</sup>. Указане загальне значення рівня вібрації виміряне відповідно до додатку I стандарту EN 62841-4-3 і може використовуватися для порівняння однієї машини з іншою, а також для попередньої оцінки впливу вібрації на оператора.

	LC 247i	LC 347iVX	LC 353iVX
<b>Різальне обладнання</b>			
Висота зрізання, мм	20–75 мм	20–75 мм	20–75 мм
Ширина зрізання, см	47	47	53
Стандартне лезо	Collect 5905934-10	Collect 5905934-10	Collect 5940757-10
Додаткове лезо	Mulch 5907010-10	Mulch 5907010-10	Mulch 5950072-10
Місткість травозбірника, л	55	55	60

<b>Радіочастотні характеристики Bluetooth®</b>	LC 247i	LC 347iVX	LC 353iVX
Частотний діапазон, ГГц	Не застосовується	2,4–2,4835	2,4–2,4835
Макс. вихідна потужність, дБм	Не застосовується	4	4

<b>Схвалені акумулятори</b>	Тип	Ємність батареї, ампер-години	Напруга, В	Маса, фунти/кг
BLi20	Літій-іонний	4,0	36	2,6/1,2
BLi30	Літій-іонний	7,7	36	4,2/1,9

<b>Схвалені зарядні пристрої для вказаних батарей, BLi</b>	Вхідна напруга, В	Частота, Гц	Потужність, Вт
QC80	100-240	50-60	80
40-C80	100-240	50-60	68,8
QC250	100-240	50-60	250

# Декларація відповідності

## Декларація відповідності ЄС

Ми, компанія **Husqvarna AB**, SE-561 82 Huskvarna, Швеція, тел.: +46-36-146500, заявляємо під свою виключну відповідальність, що представлений виріб:

Опис	Газонокосарка
Бренд	Husqvarna
Тип / модель	LC 247i
Ідентифікація	Серійні номери за 2021 рік і пізніше

повністю відповідає таким директивам і нормам ЄС:

Директива/норма	Опис
2006/42/EC	«Про механічне обладнання»
2014/30/EU	«Про електромагнітну сумісність»
2000/14/EC	«Про виділення шуму в навколишнє середовище»
2011/65/EU	«Про обмеження використання деяких небезпечних речовин в електричному й електронному обладнанні»

застосовуються вказані далі узгоджені стандарти та/або технічні специфікації; EN 62841-1:2015+AC:2015, EN 62841-4-3:2021+A11:2021, EN ISO 12100:2010, EN 55014-1:2017+A11:2020, EN 55014-2:2015, EN IEC 63000:2018.

Уповноважений орган: 0404, RISE SMP Svensk Maskinprovning AB, Box 7035, SE-750 07 Uppsala підтвердив відповідність директиві ради ЄС 2000/14/EC, процедура оцінки відповідності: Додаток VI

Відомості стосовно випромінювання шуму див. у розділі *Технічні характеристики на сторінці 711.*

Husqvarna, 2021-12-01



Клас Лосдал (Claes Losdal), директор із питань розвитку / продукції для садівництва, Husqvarna AB  
Відповідальний за технічну документацію



## Декларація відповідності ЄС

Ми, компанія **Husqvarna AB**, SE-561 82 Huskvarna, Швеція, тел.: +46-36-146500, заявляємо під свою виключну відповідальність, що представлений виріб:

Опис	Газонокосарка
Бренд	Husqvarna
Тип / модель	LC 347iVX, LC 353iVX
Ідентифікація	Серійні номери за 2021-12-01 рік і пізніше

повністю відповідає таким директивам і нормам ЄС:

Директива/норма	Опис
2006/42/EC	«Про механічне обладнання»
2014/53/EU	«Про радіотехнічне обладнання»
2000/14/EC	«Про виділення шуму в навколишнє середовище»
2011/65/EU	«Про обмеження використання деяких небезпечних речовин в електричному й електронному обладнанні»

застосовуються вказані далі узгоджені стандарти та/або технічні специфікації; EN 62841-1:2015+AC:2015, EN 62841-4-3:2021+A11:2021, EN ISO 12100:2010, EN 55014-1:2017+A11:2020, EN 55014-2:2015, EN IEC 63000:2018, EN ETSI 300 328 v.2.2.2, EN 50663: 2017, ETSI EN 301 489-1 V2.2.3, ETSI EN 301 489-17 V3.2.4.

Уповноважений орган: 0404, RISE SMP Svensk Maskinprovning AB, Box 7035, SE-750 07 Uppsala підтвердив відповідність директиві ради ЄС 2000/14/EC, процедура оцінки відповідності: Додаток VI

Відомості стосовно випромінювання шуму див. у розділі *Технічні характеристики на сторінці 711*.

Husqvarna, 2021-12-01

Клас Лосдал (Claes Losdal), директор із питань розвитку / продукції для садівництва, Husqvarna AB  
Відповідальний за технічну документацію



---

### Зареєстровані товарні знаки

---

Слово й логотипи *Bluetooth*® є зареєстрованими товарними знаками, що належать компанії *Bluetooth SIG, inc.* і використовуються компанією Husqvarna виключно за ліцензією.

---

## 内容

---

引言.....	716	故障排除.....	731
安全性.....	718	运输、存放和废弃处理.....	732
安装.....	722	技术参数.....	733
操作.....	724	一致性声明.....	736
维护.....	729	注册商标.....	737

---

## 引言

---

### 产品说明

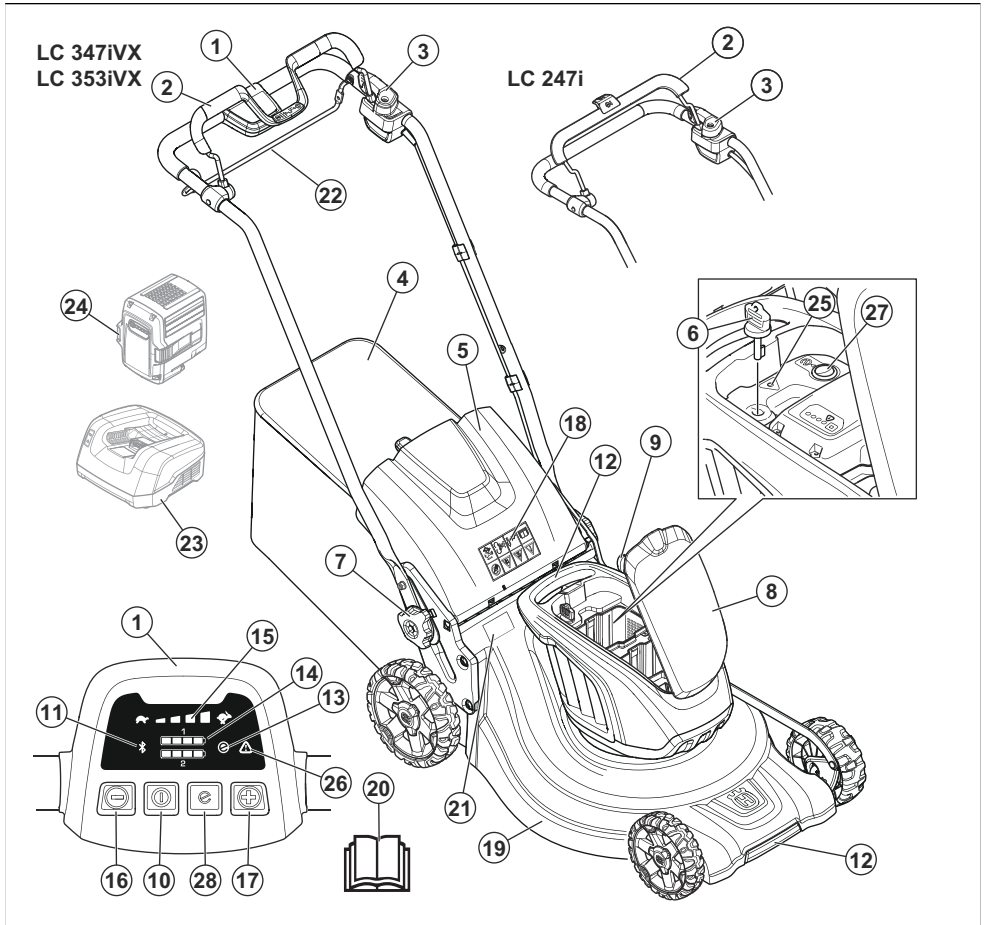
本产品是一款步行控制式草坪机。草料收集在集草袋中。拆下集草袋，以便从后方卸草。连接覆盖套件（附件），将草料切割成肥料。

### 预期用途

使用产品修剪草坪。切勿将产品用于其他任务。



# 产品概览



- |                                    |                                    |
|------------------------------------|------------------------------------|
| 1. 控制面板 (LC 347iVX, LC 353iVX)     | 16. 减速按钮 (LC 347iVX, LC 353iVX)    |
| 2. 电机制动手柄                          | 17. 加速按钮 (LC 347iVX, LC 353iVX)    |
| 3. 启动禁止器                           | 18. 符号                             |
| 4. 集草袋                             | 19. 切割防护盖                          |
| 5. 后盖                              | 20. 说明书                            |
| 6. 安全钥匙                            | 21. 标牌                             |
| 7. 把手旋钮                            | 22. 驱动杆 (LC 347iVX, LC 353iVX)     |
| 8. 电池盖                             | 23. 电池充电器 (附件)                     |
| 9. 修剪高度控制                          | 24. 电池 (附件)                        |
| 10. ON/OFF [开/关] 按钮                | 25. 错误指示灯 (LC 247i)                |
| 11. Bluetooth® 无线技术指示灯             | 26. 错误指示灯 (LC 347iVX, LC 353iVX)   |
| 12. 提升手柄                           | 27. SavE 按钮 (LC 247i)              |
| 13. SavE 指示灯                       | 28. SavE 按钮 (LC 347iVX, LC 353iVX) |
| 14. 电池指示灯                          |                                    |
| 15. 速度级别指示灯 (LC 347iVX, LC 353iVX) |                                    |

## 本产品上的符号



警告



请阅读使用说明书。



警告 - 当心抛掷物。



让旁观者远离作业区域。



警告 - 使手脚远离刀片。



警告 - 维护前请断开电池。



本产品或产品包装不属于生活垃圾。请在回收站作为电气和电子设备进行回收。



本产品符合适用的 EC 指令。



环境噪音排放符合欧盟及英国指令和法规的要求。本产品的保证声功率级在 *技术参数* 在第 733 页上中和标签上均有注明。

**IPX1** 本产品防水滴。



释放电机制动手柄以停止。



扫描码

**注意：** 有关本产品上的其他符号/标识，请参阅适用于部分市场的认证要求。

## 本产品上的标签



危险 - 手脚切勿靠近。

## 产品责任

如产品责任法律中所引用的，在以下情况下，我们对我们的产品所导致的损坏不承担责任：

- 未正确修理产品。
- 使用并非来自制造商或者未获得制造商批准的零部件修理产品。
- 产品具有并非来自制造商或者未获得制造商批准的附件。
- 未在获得批准的服务中心修理产品，或者并非由获得批准的机构修理产品。

## 安全性

### 安全定义

本手册使用了“警告”、“小心”和“注意”来指出特别重要的内容。



**警告：** 当不遵守手册中的说明可能会对操作员或周围人员带来伤害或死亡风险时，会使用此标志。



**小心：** 当不遵守手册中的说明可能会对产品、其他材料或附近区域造成损坏时，会使用此标志。

**注意：** 用于提供特定状况下所需的更多信息。

## 一般产品安全警告



**警告：** 请阅读此产品随附的所有安全警告、说明、图示和规格。如不遵循下列所有说明，可能会导致电击、火灾和/或严重伤害。

保存所有警告和说明供以后参考。警告中的术语“产品”指的是电力驱动（插电）产品或电池供电（电池）产品。

### 工作区安全

- 保持工作区域干净明亮。混乱或黑暗的区域可能会导致事故。
- 请勿在有易燃液体、气体或粉尘等易爆物的环境中操作产品。产品会生成火花，可能会点燃粉尘或雾气。
- 操作产品时请远离儿童和旁观者。操作时分心将无法控制工具。

### 电气安全

- 产品的插头必须与电源插座匹配。切勿以任何方式改造插头。请勿将任何转接插头与接地的产品一起使用。未经改造的插头和匹配的电源插座将减少电击风险。
- 避免将身体与接地表面接触，如管道、散热器、炉具和冰箱。如果身体接地，则会增加遭受电击的风险。
- 请勿将产品暴露在雨水或潮湿的环境中。产品中进水将会增加电击风险。
- 请勿滥用电线。切勿使用电线来提携、拖拉产品，也不要通过拉扯电线来断开产品。请将电线远离热、油脂、尖锐边缘或移动的部件。损坏或缠绕的电线会增加触电风险。
- 在室外操作产品时，请使用室外专用的延长线。使用室外专用的电线会降低电击风险。
- 如果无法避免在潮湿的地点操作产品，请使用配有漏电保护器 (RCD) 的电源。使用 RCD 会降低电击风险。

### 人身安全

- 操作产品时，保持警觉、密切注意正在执行的操作并根据常识做出合理判断。请勿在疲倦时或服用药剂、酒精或药物后使用产品。操作产品时的一时疏忽可能会导致严重的人身伤害。
- 使用个人防护装备。始终佩戴眼部保护装备。适用于相应条件的防尘面罩、防滑安全鞋、安全帽、听觉保护设备等保护装备可减少人身伤害。
- 防止本机意外启动。在连接至电源和/或电池组、提起或携带产品之前，确保开关处于关闭位置。携带产品时将手指放在开关上或为已打开开关的产品加电会引发事故。
- 打开产品开关前，请取下任何调整扳手。保持扳手与产品的旋转部件相连接可能会导致人身伤害。
- 请勿伸得过远。请始终维持适当的位置和平衡。这样在出现意外时可以更好地控制产品。
- 穿戴合适的服装。请勿穿宽松的服装或佩戴珠宝。保持头发和衣服远离移动部件。宽松的服装、珠宝或长发可能会绞入移动部件中。

- 如果提供了用于连接吸尘和集尘装置的设备，请确保正确连接和使用这些设备。使用集尘装置可减少因灰尘引起的相关危险。
- 在经常使用产品而熟悉产品后，也不能掉以轻心，更不能因此而忽视产品的安全原则。任何疏忽大意都随时可能造成严重的伤害。

### 产品使用与保养

- 不要使产品超负荷运行。请针对具体用途使用正确的产品。使用正确的产品可更好且更安全地按照产品设计用途完成工作。
- 请勿使用通过开关无法打开和关闭的产品。无法使用开关进行控制的任何产品都是危险的，必须进行维修。
- 在对产品进行任何调整、更换附件或存放产品前，请将插头从电源中拔出并/或将电池组从产品上拆下（如果可拆卸）。此类预防性安全措施可降低不小心启动产品的风险。
- 请将闲置的产品存放在儿童触碰不到的位置，不得允许将不熟悉产品或这些说明的人操作产品。未经培训的用户使用产品是非常危险的事情。
- 维护产品和附件。检查是否存在活动部件未对准或卡住、部件损坏以及任何其他可能会影响产品操作的情况。如果本产品损坏，请在使用前对其进行维修。许多事故都是因产品未得到正确维护而造成的。
- 保持切割工具锋利洁净。使用具有锋利切割边缘且经过适当维护的切割工具，较少出现纠结的情况且更易于控制。
- 请按照这些说明使用产品、附件和刀头等，同时考虑工作环境以及要执行的作业。如果把产品用于非设计用途，将会导致危险。
- 保持手柄和握紧面干燥、清洁且未沾染油脂。手柄和握紧面不可打滑，以确保在意外情况下能安全地搬运和控制产品。

### 保养

- 保养产品时，请联系具备相应资质的维修人员并仅使用相同的更换零件。这将确保产品的安全。
- 切勿维修损坏的电池组。电池组的维修只能由制造商或经授权的服务提供商执行。

### 电池动力工具的使用和养护

- 只能使用制造商指定的充电器为电池充电。一种类型电池组专用的充电器如果为其他类型电池组充电，可能产生火灾危险。
- 产品只能使用专门指定的电池组。使用任何其他类型的电池组可能产生伤害和火灾风险。
- 电池组不用时，使其远离其他金属物体，例如回形针、硬币、钥匙、钉子、螺钉或其他金属小物品，以免接触电池端子。电池端子短接到一起可能会引起灼伤或火灾。
- 电池在滥用情况下可能喷出液体，避免接触这些液体。如果意外接触，用水冲净。如果液体接触眼睛，还应就医。电池喷出的液体可能产生刺激或灼伤。
- 切勿使用损坏或改装的电池组或工具。损坏或经过改造的电池可能会出现意外情况，导致火灾、爆炸或受伤风险。

## 一般安全须知



**警告：** 请在使用本产品前阅读下面的警告说明。

- 如果使用不当，或者如果您不小心，则本产品非常危险。如果未遵守一般安全须知，可能会导致伤害或死亡。
- 本产品在生产期间会产生电磁场。电磁场在某些情况下会干扰有源或无源医疗植入体。为了减少严重或致命性伤害风险，我们建议使用医疗植入体的人员在操作本产品之前先咨询其医生及医疗植入体制造商。
- 请务必多加小心，并运用常识来判断。如果您不确定在特殊情况下如何操作本产品，请停止操作并与您的 Husqvarna 经销商联系。
- 切记，操作者将对涉及他人或其财产的事故负责。
- 请保持产品清洁。确保您可以清楚地阅读标记和标签。
- 切勿让不熟悉这些说明的儿童或人员使用本设备。当地法律可能会对操作员的年龄加以限制。
- 若使用产品的人员身体能力或心智能力降低，务必对其进行监督。成人监督人必须始终在场。
- 当您感到疲倦、生病或受到酒精、麻药或药物的影响时，请勿使用本产品。这些因素会对您的视觉、警惕性、协调能力或判断力产生不良影响。
- 如果本产品有缺陷，切勿使用。
- 如果本产品可能被他人改动过，请勿再进行改动或使用。

## 作业安全



**警告：** 请在使用本产品前阅读下面的警告说明。

- 本产品仅用于切割草坪。不允许用于其他任务。
- 使用个人防护装备。请参阅 *个人防护装备* 在第 721 页上。
- 确保您知道在紧急情况下如何快速停止电机。
- 请勿在雨天或潮湿的条件下操作本产品。如果水进入本产品，发生电击的风险会增加。
- 除非已正确连接刀片和所有盖板，否则请勿操作本产品。未正确连接的刀片可能松动，导致人身伤害。
- 确保刀片不会碰到石头和树根等物体。这会损坏刀片，并折弯电机轴。一旦引擎轴折弯，就会导致严重振动，同时刀片松动风险会变得极高。
- 如果刀片碰撞到任何异物或者发生振动，请立即关闭本产品。停止电机运转，将安全钥匙转至 0 并取出电池。等到活动部件停止运动。检查本产品是否损坏。拧紧松动的部件。维修损坏并更换损坏的部件。让经授权的保养厂进行维修。
- 启动电机时，切勿将电机制动手柄永久连接至手柄。
- 将本产品放置在稳定、平坦的地面上，然后将其启动。确保刀片不会碰撞到地面或其他物体。
- 当您操作本产品时，请始终站在本产品的后面。
- 在操作本产品时使所有车轮接触地面，并将双手放在手柄上。保持手和脚远离正在旋转的刀片。

- 切勿将电池组或工具暴露在火中或温度过高的环境中。电池暴露在大火或超过 130 °C / 265 °F 的温度中可能发生爆炸。
- 请遵守所有的充电说明，切勿在说明中指定的温度范围之外为电池组或工具充电。充电不正确或在指定温度范围外充电可能会损坏电池，并增大失火风险。

## 割草机安全警告

- 切勿在不良的天气状况下使用割草机，尤其是在有闪电危险的情况下。这可降低受雷电袭击的风险。
- 彻底检查割草机的目标使用区域是否有野生动物。割草机运行期间可能会造成野生动物受伤。
- 彻底检查割草机的目标使用区域，并清除所有石头、枝条、电线、骨头和其他异物。抛掷物会导致人身伤害。
- 在使用割草机前，务必目视检查以确保刀片和刀片组件未磨损或损坏。磨损或损坏的部件会增加受伤风险。
- 在使用前，请检查电源线 and 任何延长线是否有损坏或老化的迹象。如果电源线损坏或磨损，请勿使用割草机。如果在使用过程中电源线损坏或磨损，请关闭割草机，并且在断开电源线与电源的连接之前不要触摸电源线。损坏的电源线或延长线可能会导致电击、火灾和/或严重伤害。
- 经常检查集草袋是否磨损或老化。如果集草袋磨损或损坏，可能会增加人身伤害的风险。
- 保持防护罩就位。防护罩必须处于正常工作状态并且安装正确。松动、损坏或无法正常起作用的防护罩可能会导致人身伤害。
- 保持所有冷却空气进气口无碎屑。进气口堵塞和有碎屑可能导致过热或火灾风险。
- 在操作割草机时，请务必穿上防滑的防护鞋。请勿赤脚或穿着露趾凉鞋操作割草机。这可以减少脚与移动的刀片接触后受伤的风险。
- 在操作割草机时，务必穿长裤。皮肤外露会增加抛掷物导致受伤的可能性。
- 请勿在湿草中操作割草机。步行作业，不宜奔跑。这可以降低有可能导致人身伤害的滑倒和跌倒风险。
- 请勿在陡坡上操作割草机。这可以降低有可能导致人身伤害的失控、滑倒和跌倒风险。
- 在斜坡上工作时，一定要站稳，始终在坡面上横向移动，切勿上下移动，并且在换向时要格外小心。这可以降低有可能导致人身伤害的失控、滑倒和跌倒风险。
- 倒退或朝您自身拉割草机时，请格外小心。注意周围。这可以降低操作期间的绊倒风险。
- 请确保电源线远离切割刀片。损坏的电源线可能会导致电击、火灾和/或严重伤害。
- 如果电源线缠绕或损坏，请关闭电源并从电源上拔下插头。缠绕或损坏的电源线会增加电击风险。
- 切勿在刀片和其他危险的活动部件仍在运动时触摸它们。这可以降低活动部件导致受伤的风险。
- 在清除卡住的材料或清洁割草机时，确保所有电源开关均已关闭且电源线已断开。意外操作割草机可能导致严重的人身伤害。

## 漏电保护器

- 使用跳闸电流最大为 30 mA 的漏电保护器。

- 启动电机或操作产品时，请勿倾斜产品。
- 向后拉动本产品时请小心谨慎。
- 切勿在电机启动后吊起本产品。如果必须吊起本产品，请先停止电机，将安全钥匙转至 0 并拆出电池。
- 在操作本产品时切勿倒退行走。
- 如果需要倾斜产品以便进行运输，或要在没有草的区域移动（例如穿过由碎石、石头和沥青铺成的道路）之前，应停止电机。
- 请勿在电机启动后带着本产品奔跑。操作本产品时始终保持步行。
- 在更改修剪高度之前，请先停止电机运转。切勿在电机启动时进行调整。
- 切勿在电机启动后将本产品置于视线以外的地方。停止电机运转，确保切割设备不转动。
- 产品运行时的振动值可能与 *技术参数在第 733 页上* 中标示的振动值不同。这种不同是产品使用方式的不同造成的。如果您经常或长时间操作产品，请定期休息，以防止振动造成伤害。

## 操作安全须知

### 个人防护装备



**警告：** 请在使用本产品前阅读下面的警告说明。

- 个人防护装备不能完全避免受伤，但当意外发生时，可降低伤害程度。请经销商协助您选择正确的防护装备。
- 穿上结实耐磨防滑靴或防滑鞋。请勿穿凉鞋或赤脚。
- 请穿上厚实的长裤。
- 必要时戴上保护手套，例如在安装、检查或清洁切割设备时。
- 我们建议使用听觉保护装备。

### 产品上的安全装置



**警告：** 请在使用本产品前阅读下面的警告说明。

- 切勿在安全装置有故障的情况下使用产品。
- 切勿拆卸或改动安全装置。
- 定期检查安全装置。如果安全装置有故障，请联系您的 Husqvarna 保养厂。

### 检查切割防护盖

切割防护盖可降低本产品产生的振动，并降低被刀片割伤的风险。

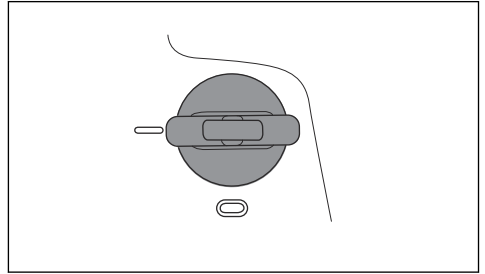
- 检查切割防护盖，确保没有损坏，如裂缝。

### 检查安全钥匙

安全钥匙位于电池盖下方。安全钥匙用于连接为电机供电的电池。

- 启动和停止电机运转以检查安全钥匙。

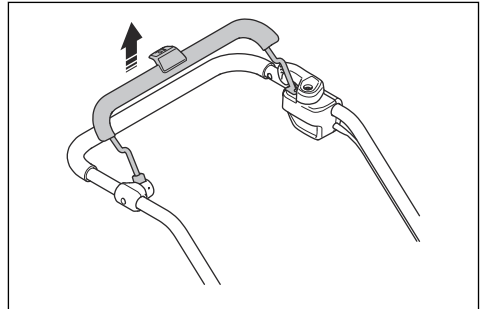
- 如果安全钥匙正常工作，则电机只有在安全钥匙处于位置 1 时启动。



### 检查电机制动手柄

电机制动手柄可停止电机。松开电机制动手柄后，电机停止。

- 启动产品。请参阅 *操作在第 724 页上*。
- 释放电机制动手柄。

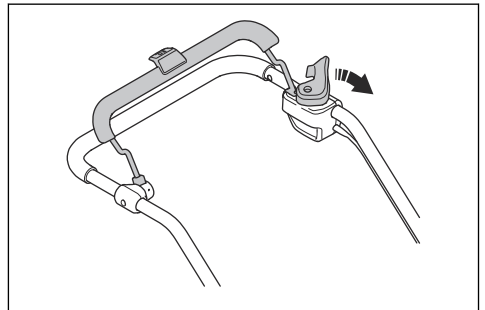


- 确保产品停止运行。如果电机未在 3 秒钟内停止，应请经认可的 Husqvarna 保养厂调整电机制动。

### 检查启动禁止器

检查启动禁止器，确保它能防止电机运转。

1. 朝手柄杆方向推动电机制动手柄。启动禁止器停止移动。
2. 将启动禁止器推出。



3. 松开启动禁止器，并确保它会返回到其初始位置。

## 电池安全



**警告：** 请在使用本产品前阅读下面的警告说明。

- 只能将 Husqvarna 充电电池用作相关 Husqvarna 产品的电源。为避免伤害，请勿用电池为其他装置供电。
- 切勿使用一次性电池。
- 有发生电击的危险。请勿将电池端子连接至钥匙、硬币、螺钉或其他金属上。这会导致电池短路。
- 请勿将异物放入电池的导气槽中。
- 使电池远离阳光、热量或明火。电池可能爆炸并导致烧伤和/或化学烧伤。
- 使电池远离雨水和潮湿条件。
- 使电池远离微波和高压条件。
- 请勿尝试拆卸或破坏电池。
- 如果电池出现泄漏，不要让电池酸液接触到身体或眼睛。如果接触了电池酸液，请先用大量清水清洗接触部位，然后送医治疗。
- 只能在 5 °C ~ 40 °C 的环境温度条件下在产品中使用电池。
- 只能在 5 °C ~ 40 °C 的环境温度条件下使用电池充电器。
- 电池温度超过 50 °C 时将充不进电。
- 切勿用水清洁电池或充电器。请参阅 *清洁电池和电池充电器* 在第 730 页上。
- 切勿使用存在缺陷或损坏的电池。
- 电池在存放时应远离金属物体，如钉子、硬币、珠宝首饰等。

## 充电器安全性



**警告：** 请在使用本产品前阅读下面的警告说明。

- 只能使用 QC 电池充电器为 Husqvarna 备用电池充电。
- 电击或短路风险。请勿将异物放置在充电器的导气槽中。切勿尝试拆卸电池充电器。切勿将充电器端子连接到金属物体上。使用认可的电源插座。
- 本产品在执行操作期间会产生电磁场。电磁场在某些情况下会干扰有源或无源医疗植入体。为了减少严重或致命性伤害风险，我们建议使用医疗植入体的人员在执行操作本产品之前先咨询其医生及医疗植入体制造商。
- 定期确认电池充电器的电源线未受损且内部无裂纹。

- 切勿用电源线提起电池充电器。要从电源插座断开电池充电器，请拔出插头。切勿拽拉电源线。
- 确保所有电源线和延长电线远离水、油和锋利边缘。确保电线不会夹在门、栅栏或类似物体之间。否则会致使充电器带电。
- 切勿用水清洁电池充电器。
- 8 周岁起的儿童和体力、感官或精神能力较差或缺乏经验和知识的成年人，可在得到监督或指导、了解如何安全使用电池充电器及其所涉及危险的情况下使用电池充电器。不得让儿童玩耍电池充电器。儿童不得在没有监督的情况下对设备进行清洁和维护。
- 切勿将非充电电池放入电池充电器中充电。
- 切勿在易燃材料或可能导致腐蚀的材料附近使用电池充电器。不要盖住电池充电器。如果出现冒烟或着火，拔出电池充电器插头。
- 切勿使用存在缺陷或损坏的电池充电器。
- 仅在室内空气流通较好且远离日光的位置为电池充电。请勿在潮湿条件下为电池充电。

## 维护安全须知



**警告：** 请在使用本产品前阅读下面的警告说明。

- 为了防止在维护过程中意外启动，请将安全钥匙转至 0 并取出电池。至少等待 5 秒钟，然后再开始维护。
- 只能进行本说明书中说明的维护工作。其他工作和专业维修必须由经授权的保养厂完成。如需了解更多信息，请与离您最近的保养厂联系。
- 正确执行维护工作将增加本产品的使用寿命，降低发生意外的风险。
- 更换已经损坏、磨损或破损的零件。始终使用制造商提供的正品备件。其他备件可能会对产品造成损坏，并增加发生事故的风险。
- 为避免受伤，请勿拆卸或改装安全装置。
- 在使用切割设备时，请务必戴上耐磨的手套。刀片非常锋利，很容易割到手。
- 保持切割刀锋利且清洁，以获得最佳和最安全性能。
- 让您的保养厂定期检查本产品，并进行必要的调整及修理。
- 请遵守关于更换配件的说明。只能使用制造商提供的配件。
- 在不使用时，请将本产品、电池和电池充电器分开存放在干燥、上锁的室内区域。确保未获批准的儿童和人员无法取用本产品、电池或电池充电器。

## 安装

### 引言



**警告：** 在装配本产品前，请阅读安全章节。

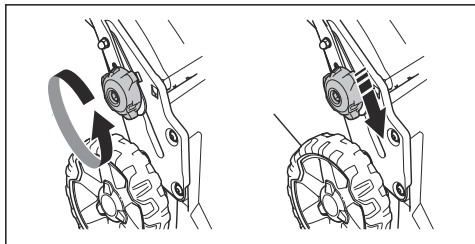


**警告：** 为防止在装配过程中意外启动，将安全钥匙转至 0，取下电池，然后等待至少 5 秒钟。

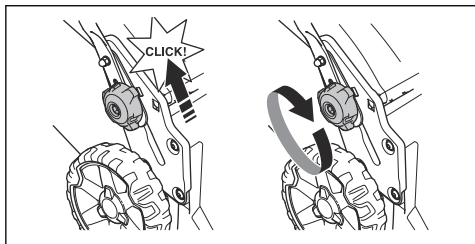


## 调节手柄

1. 松开下部旋钮。
2. 将旋扭转至本产品的左侧和右侧凹槽的下端。



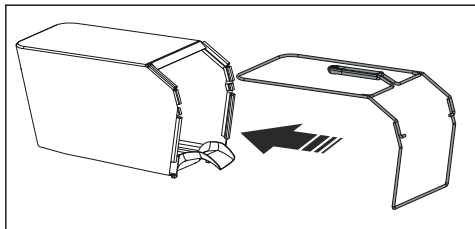
3. 将手柄高度设置到 2 个可用位置中的其中一个。
4. 朝手柄方向向上转动旋钮，直至它们停止并且听到咔嚓声。



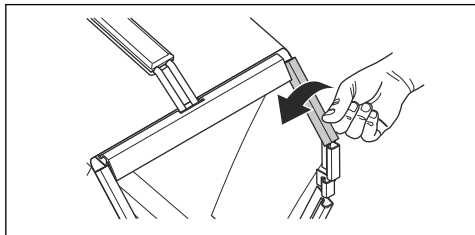
5. 完全上紧旋钮。

## 装配集草袋

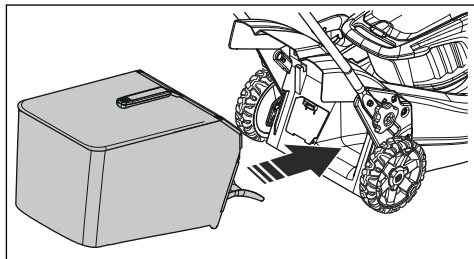
1. 将集草袋框架连接到草袋，使袋子的硬侧在下面。将框架的手柄放在草袋顶部。



2. 将集草袋框架的底部连接到集草袋底部的凹槽中。
3. 用夹子将草袋连接到集草袋框架上。

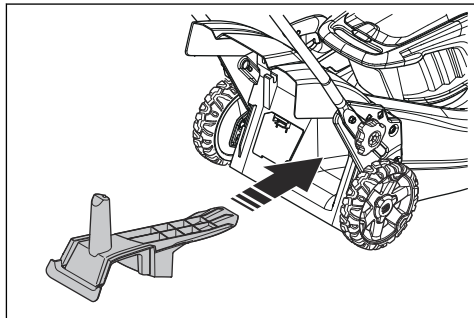


4. 抬起后盖。
5. 将集草袋连接到机架顶部边缘上。
6. 将集草袋的下部放入卸草通道中。



## 装配地面覆盖插件 (附件)

1. 抬起后盖，拆下集草袋。
2. 将地面覆盖插件插入到卸草通道中。



3. 使用地面覆盖套件中提供的覆盖刀片更换刀片。请参阅 [更换刀片](#) 在第 730 页上。

## 操作

### 引言



**警告：** 在使用本产品之前，您必须阅读并理解安全章节。

### Husqvarna Connect

Husqvarna Connect 是一款可在移动设备上免费使用的应用程序。Husqvarna Connect 应用程序可为您的 Husqvarna 产品提供扩展功能：

- 扩展产品信息。
- 关于帮助、产品零件和保养的信息。

### 开始使用 Husqvarna Connect

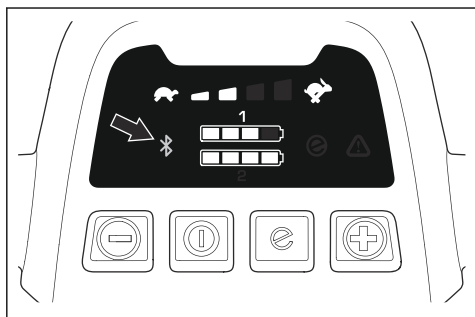
1. 将 Husqvarna Connect 应用程序下载至您的移动设备。
2. 在 Husqvarna Connect 应用程序中注册。
3. 按照 Husqvarna Connect 应用程序中的说明步骤连接并注册产品。

**注意：** 并非所有市场都提供 Husqvarna Connect 应用程序下载。欲了解更多信息，请与您的保养代理商联系。

### Bluetooth® 信息 (LC 347iVX, LC 353iVX)

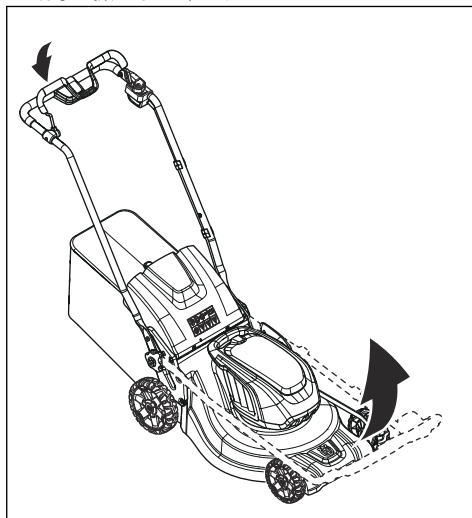
#### Bluetooth® 无线技术

当移动设备连接到本产品时，Bluetooth® 无线技术的符号会亮起。

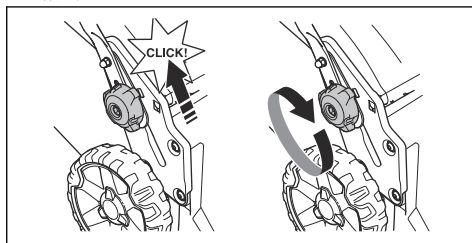


### 将产品设置在工作位置

1. 将手柄折起到竖立位置。



2. 朝手柄方向向上转动旋钮，直至它们停止并且听到咔嚓声。



3. 完全上紧旋钮。



**警告：** 在手柄完全折叠并设置到一个合适的高度位置之前，请勿操作产品。请参阅 *调节手柄* 在第 723 页上。

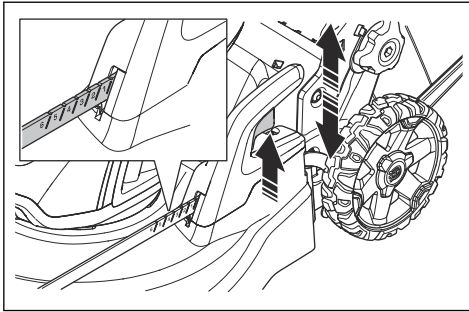
### 设置修剪高度

修剪高度有 6 个可调级别。

1. 向下移动修剪高度调节杆以降低修剪高度。



2. 向上移动修剪高度调节杆以增加修剪高度。



**小心：**切勿将修剪高度设置得太低。如果草坪的表面不水平，刀片可能会碰到地面。

## 电池



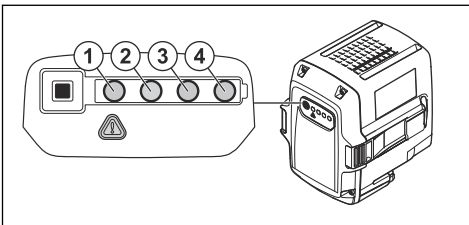
**警告：**在使用电池前，您必须阅读并理解安全章节。您还必须阅读并理解电池和电池充电器的说明书。

在合适的环境温度下存放电池和电池充电器。

	环境温度
使用电池	5 °C - 40 °C
给电池充电	5 °C - 40 °C

## 电池状态

指示灯显示剩余的电池电量以及电池是否出现任何问题。本产品关闭后，或者按下电池指示灯按钮之后，电池电量将显示 5 秒钟。出现错误时，电池上的警告符号将亮起。请参阅 **电池** 在第 731 页上。



LED 灯	电池状态
所有指示灯亮起	充满电 (75-100%)
LED 1、LED 2、LED 3 亮起	电池充电至 50%-75%
LED 1、LED 2 亮起	电池充电至 25%-50%
LED 1 亮起	电池充电至 0%-25%。

LED 灯	电池状态
LED 1 闪烁	电池电量耗尽。给电池充电。

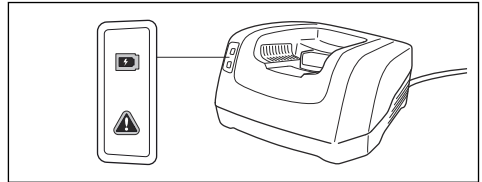
## 为电池充电

在首次使用之前先要给电池充电。电池在交付给客户时仅充有 30% 的电量。

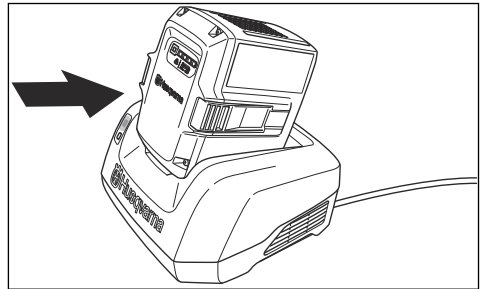
**注意：**将电池充电器连接至具有标上规定电压和频率的电源。

如果电池温度高于 50°C，则电池不会充电。电池充电器会降低电池的温度，然后再开始充电。

1. 将电池充电器电源线的一端连接到电池充电器的插座。
2. 将电池充电器电源线的另一端连接到具有接地连接的电源插座。电池充电器上的 LED 灯会闪烁一下绿灯。



3. 将电池放入充电器中。当电池正确连接至电池充电器时，充电器上的绿色指示灯会亮起。



4. 当电池上的所有 LED 灯亮起时，说明电池已充满电。给电池充电最长 24 小时。
5. 要将电池充电器与电源插座断开，请拔下插头，不可拉拽电源线。
6. 从电池充电器中取出电池。

## 电池充电状态

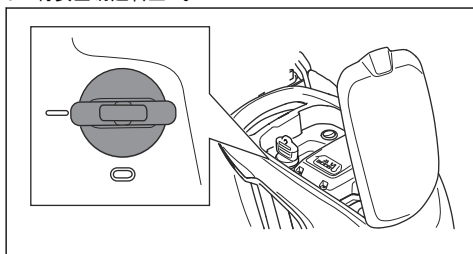
Husqvarna 锂离子电池可以在所有电量水平下充电或使用。电池不会受损。充满电的电池即使留在充电器中也不会损失电量。

指示灯	充电状态
LED 1 闪烁	0%-25%
LED 1 亮起，LED 2 闪烁	25%-50%

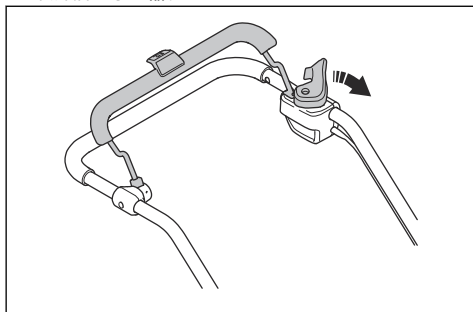
指示灯	充电状态
LED 1、LED 2 亮起， LED 3 闪烁	50%-75%
LED 1、LED 2、LED 3 亮 起，LED 4 闪烁	75%-100%
LED 1、LED 2、LED 3、 LED 4 亮起	充满电

## 启动本产品 (LC 247i)

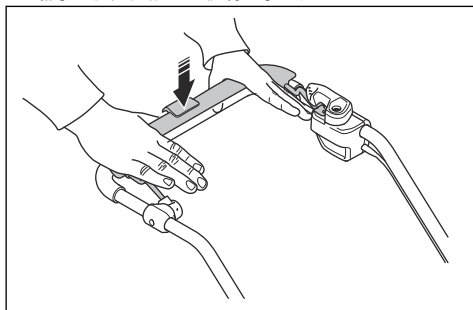
1. 打开电池盖。
2. 将充满电的电池放入其中一个电池座中。为延长工作时间，请将另一个充满电的电池放入另一个电池座。
3. 将安全钥匙转至 1。



4. 站在本产品后面。
5. 松开启动禁止器。

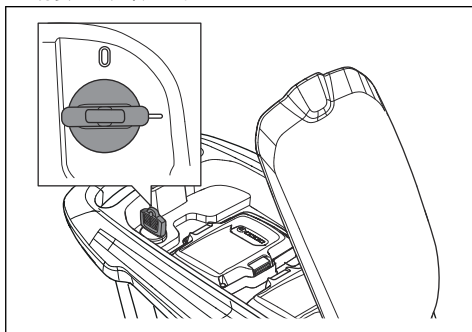


6. 朝手柄杆方向推动电机制动手柄。

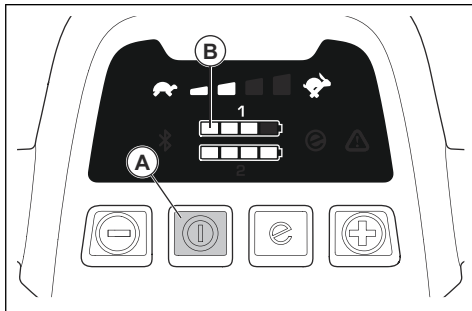


## 启动本产品 (LC 347iVX, LC 353iVX)

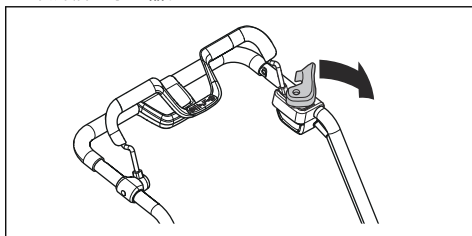
1. 打开电池盖。
2. 将充满电的电池放入其中一个电池座中。为延长工作时间，请将另一个充满电的电池放入另一个电池座。
3. 将安全钥匙转至 1。



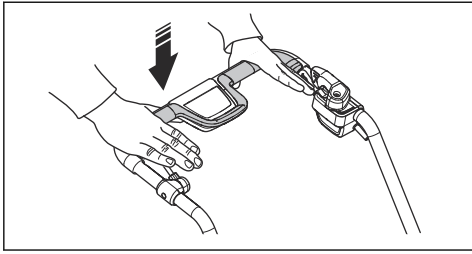
4. 站在本产品后面。
5. 按下控制板上的开/关按钮 (A)。显示屏亮起。电池指示灯 (B) 显示 2 节电池的电池电量。工作中的电池数量在电池指示符旁边显示。对于型号 LC 347iVX, LC 353iVX, 显示屏还显示设定的速度。



6. 松开启动禁止器。

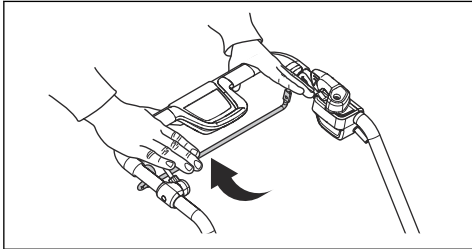


### 7. 朝手柄杆方向推动电机制动手柄。

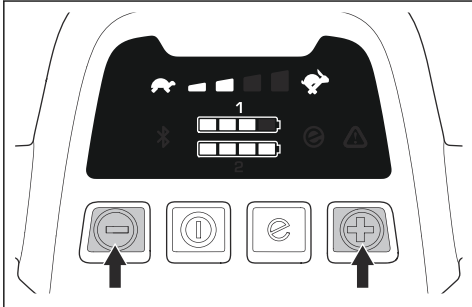


## 使用车轮上的驱动装置 LC 347iVX, LC 353iVX

- 朝手柄杆方向拉动驱动杆，启动驱动装置。



- 在控制板上按 + 和 -，驱动速度有 4 档可调。

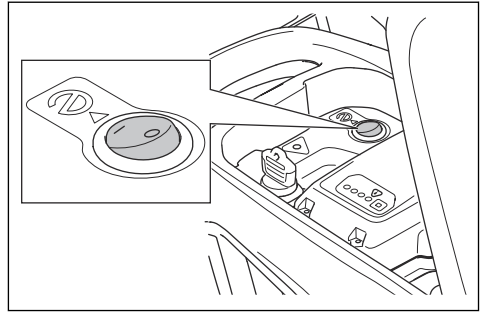


- 松开驱动杆以脱离驱动装置，例如，当您靠近障碍物时。

## 使用 SavE™ 功能 (LC 247i)

本产品具有电池节电功能 (SavE™)，可提供更长的工作时间。

- 将 SavE™ 按钮推到位置 1 可启动该功能。



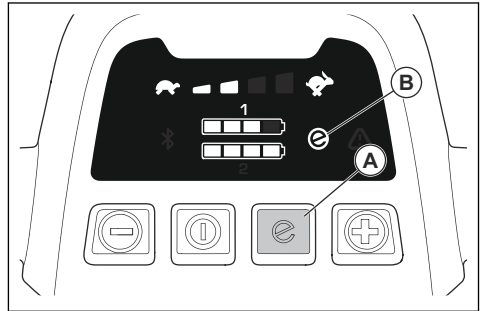
- 将 SavE™ 按钮推到位置 0 可停止该功能。

**注意：** 如果地面条件要求更高的功率输出，则 SavE™ 功能会自动停止。在地面条件允许时，SavE™ 功能会再次自动启动。

## 使用 SavE™ 功能 (LC 347iVX, LC 353iVX)

本产品具有电池节电功能 (SavE™)，可提供更长的工作时间。

- 按下 SavE™ 按钮 (A) 可启动该功能。显示屏上的 SavE™ 符号 (B) 会亮起。
- 再次按下 SavE™ 按钮可停止该功能。显示屏上的 SavE™ 符号 (B) 会熄灭。



**注意：** 如果地面条件要求更高的功率输出，则 SavE™ 功能会自动停止。在地面条件允许时，SavE™ 功能会再次自动启动。

## 高负载功能

当本产品切割长草或湿草时，电机会自动增加转速。当不需要高负载时，电机恢复标准模式。

## 自动重启

在操作过程中，如果草等障碍物堵塞在切割防护盖下方，刀片和电机有可能暂停工作。如果发生这种情况，您可按下电机制动手柄，产品会尝试自动重启。如果产品在 5

秒内未重启，可能需要清理切割防护盖下方的障碍物。请参阅 [清洁产品](#) 在第 729 页上。



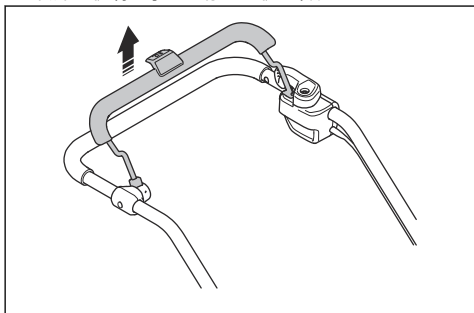
**警告：** 在检查切割防护盖之前，释放电机制动手柄，将安全钥匙转到 0，拆下电池并等待至少 5 秒钟。如果清除障碍物时产品意外启动，则有造成受伤的风险。

## 停止本产品 (LC 247i)

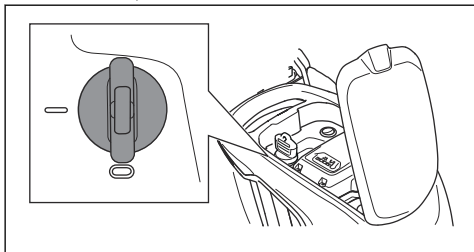


**警告：** 在使本产品离开视线以外之前，请始终将安全钥匙转至 0。

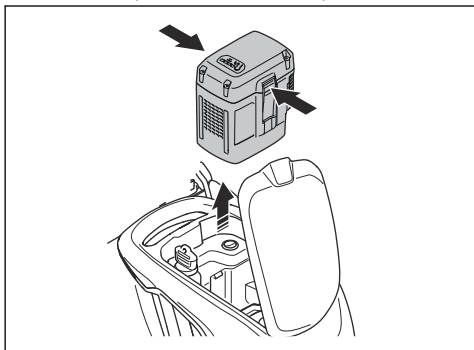
1. 松开电机制动手柄以停止电机运转。



2. 打开电池盖，将安全钥匙转至 0。



3. 要拆下电池，请按下两个释放按钮，然后取下电池。



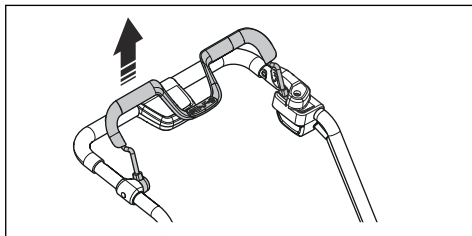
4. 如果电池电量不足，请为电池充电。有关更多信息，请参阅 [为电池充电](#) 在第 725 页上。

## 停止本产品 (LC 347iVX, LC 353iVX)

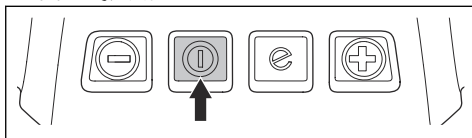


**警告：** 在使本产品离开视线以外之前，请始终将安全钥匙转至 0。

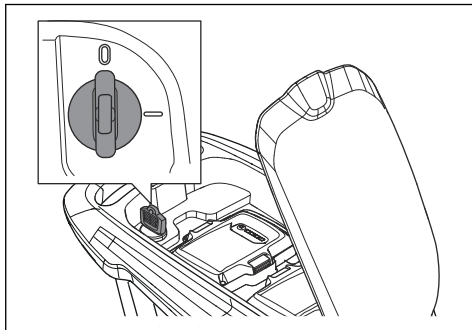
1. 松开电机制动手柄以停止电机运转。



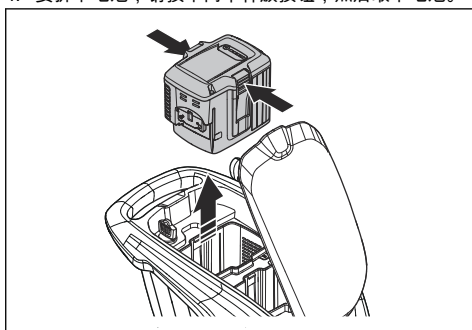
2. 按下控制板上的开/关按钮。显示屏上的所有 LED 灯和符号均熄灭。



3. 打开电池盖，将安全钥匙转至 0。



4. 要拆下电池，请按下两个释放按钮，然后取下电池。



5. 如果电池电量不足，请为电池充电。有关更多信息，请参阅 [为电池充电](#) 在第 725 页上。

**注意：**如果您在几分钟内没有任何操作，本产品将自动断电。要再次启动产品，请参阅 *启动本产品* (LC 3471VX, LC 3531VX) 在第 726 页上。

## 为获得良好的作业效果

- 务必使用锐利的刀片。钝刀片会产生不规则的结果，且草的切割表面会变黄。此外，锐利的刀片比钝刀片更加节能。
- 修剪高度不得超过草长的 1/3。从较高的修剪高度开始切割。检查结果，将修剪高度降低到合适的水平。如果草非常长，请缓慢前进，必要时切割 2 次。

- 每次的修剪方向不应相同，以防止草坪上出现条纹。
- 保持切割防护盖干净。切割防护盖内侧积聚草和污垢会降低切割效果。请参阅 *清洁产品* 在第 729 页上。

## 在未连接集草袋或地面覆盖插件的情况下割草

- 抬起后盖，拆下集草袋。
- 如果已连接地面覆盖插件和覆盖刀片，请将其卸下。
- 在操作本产品之前，关闭后盖。

在操作本产品时，割下的草将在后盖下方排出。

## 维护

### 介绍



**警告：**进行维护之前，您必须阅读并理解安全须知章节。

要对本产品执行任何保养和维修工作，都需要经过特殊培训。我们承诺提供专业的维修和保养。如果您的经销商不是保养代理商，请联系该经销商以获取离您最近的保养代理商的信息。

有关更多详细信息，请参阅 [www.husqvarna.com](http://www.husqvarna.com)。

### 维修时间表

维护间隔在产品每天使用的情况下计算得出。如果产品并非每天使用，维护间隔会有所不同。

有关 \* 所标识的维护，请参阅 *安全性* 在第 718 页上的说明。

	每次使用	每月	每个季节
执行一般性检查	X		
清洁本产品	X		
检查启动禁止器*	X		
确保本产品上的安全装置无故障*	X		
检查切割设备	X		
检查切割防护盖*	X		
检查电机制动手柄*	X		
确保开/关按钮工作正常且无故障	X		
检查电池是否损坏	X		
检查电池电量	X		
确保电池上的释放按钮工作正常并将电池锁入本产品中	X		
检查电池充电器是否损坏，确保其工作正常。		X	
检查电池和本产品之间的连接。还要检查电池与电池充电器之间的连接。			X

### 进行一般性检查

- 确保产品上的螺母和螺钉都已拧紧。
- 确保产品上的电缆不会损坏。

### 清洁产品

- 用清洁的干布擦净塑料部件。

- 请勿用水清洁本产品。水会进入电池或电机，并导致短路或损坏本产品。
- 不要使用高压清洗机清洁产品。
- 不要直接用水冲洗马达。
- 用刷子清除树叶、草和污垢。

## 清洁电池和电池充电器



**警告：**切勿用水清洁电池或充电器。

- 在将电池放入电池充电器之前，确保电池和电池充电器清洁、干燥。
- 请使用压缩空气或软干布清洁电池端子。
- 请使用软干布清洁电池和电池充电器的表面。

## 润滑切割设备



**警告：**为防止意外启动，将安全钥匙转至 0，拆下电池，然后等待至少 5 秒钟。



**警告：**维护切割设备时，请戴上保护手套。刀片非常锋利，很容易割到手。

1. 检查切割设备是否有损坏或裂痕。务必更换损坏的切割设备。
2. 检查刀片，查看是否损坏或变钝。

**注意：**必须在磨利后使刀片保持平衡。让维修中心磨利、更换和平衡刀片。如果您碰到障碍物导致本产品停止运转，请更换损坏的刀片。让维修中心评估刀片可以磨利还是必须更换。

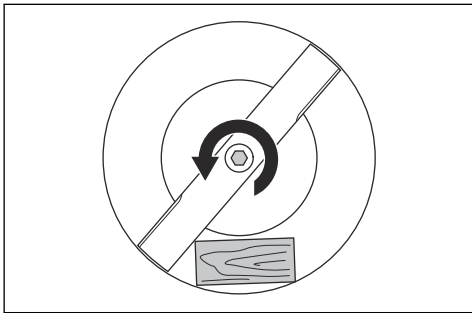
## 更换刀片

有关正确的刀片类型，请参阅 *技术参数* 在第 733 页上。

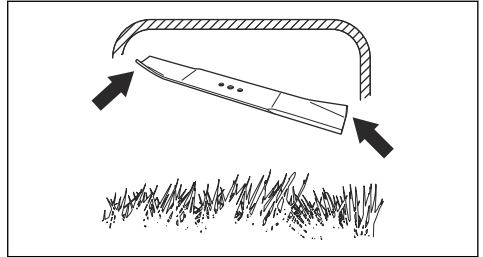


**警告：**用木块卡住刀片可防止您在更换刀片时手指受伤。当电机关闭时，刀片可以移动，手指可能夹在刀片和固定部件之间。

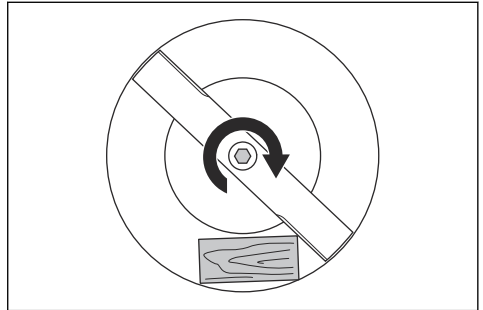
1. 使用木块卡住刀片。



2. 拆下刀片螺栓。
3. 拆下刀片。
4. 检查刀片支撑和刀片螺栓，查看是否有损坏。
5. 检查电机轴，确保其未弯曲。
6. 安装新刀片时，请将刀片的倾斜端指向切割防护盖的方向。



7. 确保刀片与电机轴中心对准。
8. 使用木块卡住刀片。安装弹簧垫片，并且用 23–28 Nm 扭矩拧紧螺丝和垫片。



9. 用手拉住刀片旋转，确保刀片转动自如。



**警告：**请佩戴耐磨手套。刀片非常锋利，很容易割到手。

10. 启动本产品以测试刀片。如果刀片未正确安装，则本产品中存在振动，或切割结果令人不满意。

# 故障排除

## 电池

电池上的 LED	原因	解决方案
绿色指示灯闪烁。	电池电压过低。	给电池充电。请参阅为电池充电在第 725 页上。
错误指示灯闪烁。	电池电量不足。	给电池充电。请参阅为电池充电在第 725 页上。
	工作环境温度过高或过低。	在 5 °C 至 40 °C 的温度下使用电池。
	过压。	确保电源电压与产品标牌上所示的电压一致。  从电池充电器中取出电池。等待 5 秒钟，然后再次尝试为电池充电。如果问题仍然存在，请联系经授权的保养厂。
错误指示灯亮起。	电池的电压差过大 (1V)。	请联系获得批准的保养厂。

## 电池充电器

电池充电器上的 LED	原因	解决方案
错误指示灯闪烁。	工作环境温度过高或过低。	在 5 °C 至 40 °C 的温度下使用电池充电器。
错误指示灯亮起。		请联系获得批准的保养厂。

## 草坪机

警告指示灯（错误指示灯）位于电池盖 ((LC 247i)) 下或控制面板 ((LC 347iVX, LC 353iVX)) 上。

问题	错误指示灯（闪烁次数）	原因	解决方案
错误指示灯闪烁。 本产品工作不正常。	3	刀片卡住。	将安全钥匙转到 0 以防止意外启动。取出电池并等待至少 5 秒钟。清除可能存在的障碍物，确保刀片可以自由旋转。如果问题仍然存在，请联系经授权的保养厂。
	5	电机速度下降过多，电机停止。	增加修剪高度。请参阅设置修剪高度在第 724 页上。
	6 <sup>113</sup>	轮子或变速箱卡住。	将安全钥匙转到 0 以防止意外启动。取出电池并等待至少 5 秒钟。清除可能存在的障碍物，确保轮子可自由旋转。如果问题仍然存在，请联系经授权的保养厂。
	10	电机控制过热。	停止电机并等待，直至其冷却。

<sup>113</sup> LC 347iVX、LC353iVX

问题	错误指示灯 ( 闪烁次数 )	原因	解决方案
错误指示灯闪烁。 本产品停止运行。	0	电池接头故障。	检查电池接头。
	3	电机过载。	增加修剪高度。请参阅 <i>设置修剪高度</i> 在第 724 页上。
	8	电池电量不足。	给电池充电。请参阅 <i>为电池充电</i> 在第 725 页上。
	9	电池故障或电池无信号。	将电池正确装入本产品，并检查电池接头。如果电池上的错误指示灯闪烁，请参阅 <i>电池</i> 在第 731 页上。
	12	启动步骤不正确。电机启动前，电机制动手柄啮合。	松开电机制动手柄，等待大约 5 秒。再次按下电机制动手柄以启动产品。
其它错误。	如果出现其他错误，请将安全钥匙转至 0，取下电池并联系获得批准的保养厂。		

## 运输、存放和废弃处理

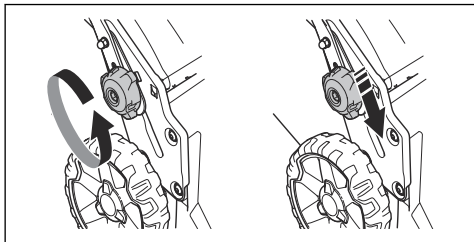
### 引言



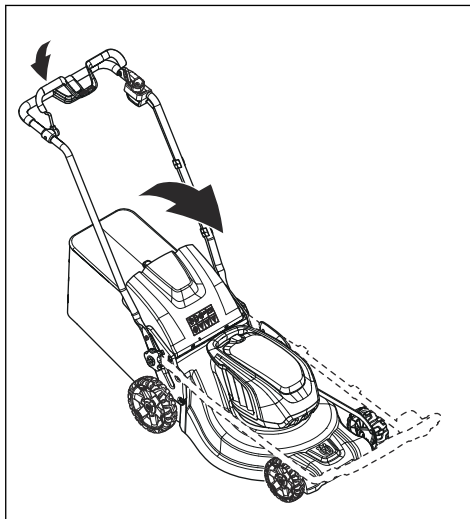
**警告：** 为防止在运输过程中意外启动，将安全钥匙转至“0”，取下电池，然后等待至少 5 秒钟。

### 将产品置于运输位置

1. 松开下部旋钮。
2. 将旋钮转至本产品的左侧和右侧凹槽的下端。



3. 向前折叠手柄。



4. 拆下集草袋。

### 运输

- 危险品法律要求适用于本产品所含的锂离子电池。
- 对于商业运输，必须遵守包装和标签上的特殊要求。
- 当您准备运输产品时，请确保遵守有关危险品的法规。当地法规可能适用。
- 运输之前务必取下电池。
- 将胶带贴在电池接头上，并确保在运输过程中电池无法移动。
- 运输期间请固定好本产品。



## 存放

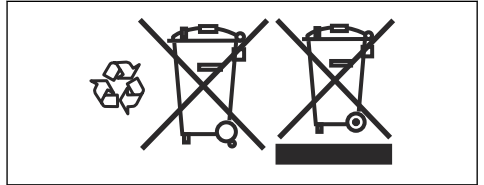
- 等产品冷却后再将其存放。
- 进行存放之前务必取下电池。
- 为了防止意外事故，请确保在存放期间电池未连接到本产品。
- 将电池充电器存放于密闭干燥的位置。
- 将电池和电池充电器存放于干燥、无湿气或结霜的位置。
- 在存储期间从电池充电器中断开电池的连接。
- 不要将电池存放在容易积聚静电的位置。严禁将电池存放在金属盒中。
- 在 -10 °C 至 40 °C 的环境温度中存放产品。
- 在 5 °C 至 25 °C 的环境温度中存放电池，并避免阳光直射。
- 在 5 °C 至 45 °C 的环境温度中存放电池充电器，并避免阳光直射。
- 确保电池在长期存放之前充电至 30% - 50% 电量。
- 将本产品、电池和电池充电器存放在上锁区域，防止儿童和未经批准的人取用。
- 清洁产品并确保集草袋已空。

- 只能执行本操作手册中说明的维护程序。请参阅 *维护* 在第 729 页上。
- 在长期存放本产品之前，应进行全面的保养。

## 废弃处理

本产品或其包装上的符号指示不能将本产品当作生活垃圾进行处理。必须将其送交相应的回收站以回收利用电气和电子设备。

对本产品进行不当的废物管理可能会对环境和人身造成负面影响，请确保正确处理本产品，避免发生此类问题。有关回收本产品的详细信息，请与当地相关管理部门、生活垃圾服务机构或销售本产品的商店联系。



## 技术参数

### 技术参数

	LC 247i	LC 347iVX	LC 353iVX
<b>割草电机</b>			
电机类型	BLDC (无刷型) 36V	BLDC (无刷型) 36V	BLDC (无刷型) 36V
电机转速 - 节能, rpm	2600/分钟	2600/分钟	2600/分钟
电机转速 - 标称, rpm	3000/分钟	3000/分钟	3000/分钟
电机转速 - 高负载, rpm	3500/分钟	3500/分钟	3500/分钟
电机输出 - 最大, kW	0.96	0.96	1.05
电机输出 - 标称, kW	0.75	0.75	0.9
<b>驱动马达</b>			
电机输出 - 标称, kW	不适用	0.25	0.25
自行移动速度, km/h	不适用	3.0-4.5	3.0-4.5
速度调节杆	不适用	4	4
<b>重量</b>			
无袋重量 (不含电池), kg	24.5	26	28
含袋重量 (含 2 节 BLi30), kg	30.5	32.0	34.5
<b>电池</b>			
电池类型	Husqvarna 电池系列		
<b>电池工作时间</b>			

	LC 247i	LC 347iVX	LC 353iVX
电池工作时间, 分钟, 启用 SavE 模式 (空运转), 使用一节 Husqvarna 7.7 Ah 电池 (BLi30)。	62	62	46
电池工作时间, 分钟, 启用标准模式 (空运转), 使用一节 Husqvarna 7.7 Ah 电池 (BLi30)。	43	43	28
<b>噪音释放</b> <sup>114</sup>			
声功率级 (测量值), dB (A)	94	94	97
声功率级 (保证值, L <sub>WA</sub> ), dB (A)	95	95	98
<b>声压级</b> <sup>115</sup>			
操作员耳旁的声压级, dB (A)	82	82	86
<b>振动水平</b> <sup>116</sup>			
手柄, m/s <sup>2</sup>	0.42	0.42	2.64
<b>切割设备</b>			
修剪高度, mm	20-75 mm	20-75 mm	20-75 mm
修剪宽度, cm	47	47	53
刀片标准	收集 5905934-10	收集 5905934-10	收集 5940757-10
刀片附件	覆盖 5907010-10	覆盖 5907010-10	覆盖 5950072-10
集草袋容量, 升	55	55	60

Bluetooth® 射频数据	LC 247i	LC 347iVX	LC 353iVX
频段, GHz	不适用	2.4-2.4835	2.4-2.4835
输出功率, 最大值 (dBm)	不适用	4	4

认可电池	类型	电池容量, Ah	电压, V	重量, lb/kg
BLi20	锂离子电池	4.0	36	2.6/1.2
BLi30	锂离子电池	7.7	36	4.2/1.9

指定 BLi 电池允许使用的充电器	输入电压, V	频率, Hz	功率 (W)
QC80	100-240	50-60	80

<sup>114</sup> 环境噪音排放以声功率 (L<sub>WA</sub>) 量测, 符合 EC 指导文件 2000/14/EC 的要求。

<sup>115</sup> 报告的噪音声压级数据具有 1.5 dB(A) 的不确定度系数 (K)。

<sup>116</sup> 报告的振动水平数据具有 1.5m/s<sup>2</sup> 的不确定度系数 (K)。标称振动总值依据 EN 62841-4-3 标准附录 I 进行测量, 可用于比较不同的机器以及用于初步评估暴露情况。

指定 BLi 电池允许使用的充电器	输入电压, V	频率, Hz	功率 (W)
40-C80	100-240	50-60	68.8
QC250	100-240	50-60	250

# 一致性声明

## 欧盟一致性声明

我们 **Husqvarna AB**, SE-561 82 Huskvarna ,  
Sweden, 电话: +46-36-146500 ) 谨此声明, 本产品:

说明	草坪机
品牌	Husqvarna
类型/型号	LC 247i
标识	2021 及以后的序列号

完全符合以下欧盟指令和法规的要求, 我们对此负有唯一  
的责任:

指令/法规	说明
2006/42/EC	"关于机械"
2014/30/EU	"关于电磁兼容性"
2000/14/EC	"关于环境噪音排放"
2011/65/EU	"关于在电气和电子设备中限制使用某些有害物质的指令"

并适用以下标准和/或技术规格: EN  
62841-1:2015+AC:2015, EN 62841-4-3:2021+A11:2021,  
EN ISO 12100:2010, EN 55014-1:2017+A11:2020, EN  
55014-2:2015, EN IEC 63000:2018。

认证机构: 0404, RISE SMP Svensk Maskinprovning  
AB, Box 7035, SE-750 07 Uppsala 已对上述产品进行了  
认证, 遵循的认证流程为欧洲理事会指令 2000/14/EC 的  
合规评估流程: 附录 VI。

有关噪音释放的信息, 请参阅 *技术参数* 在第 733 页上。

Huskvarna, 2021-12-01



Claes Losdal, Husqvarna AB 园艺产品开发经理  
技术文档 负责人



## 欧盟一致性声明

我们 **Husqvarna AB**，SE-561 82 Huskvarna，Sweden，电话：+46-36-146500 ) 谨此声明，本产品：

说明	草坪机
品牌	Husqvarna
类型/型号	LC 347iVX, LC 353iVX
标识	2021-12-01 及以后的序列号

完全符合以下欧盟指令和法规的要求，我们对此负有唯一的责任：

指令/法规	说明
2006/42/EC	"关于机械"
2014/53/EU	"关于无线电设备"
2000/14/EC	"关于环境噪音排放"
2011/65/EU	"关于在电气和电子设备中限制使用某些有害物质的指令"

并适用以下标准和/或技术规格：EN 62841-1:2015+AC:2015, EN 62841-4-3:2021+A11:2021, EN ISO 12100:2010, EN 55014-1:2017+A11:2020, EN 55014-2:2015, EN IEC 63000:2018, EN ETSI 300 328 v.2.2.2, EN 50663: 2017, ETSI EN 301 489-1 V2.2.3, ETSI EN 301 489-17 V3.2.4。

认证机构：0404，RISE SMP Svensk Maskinprovning AB, Box 7035, SE-750 07 Uppsala 已对上述产品进行了认证，遵循的认证流程为欧洲理事会指令 2000/14/EC 的合规评估流程：附录 VI。

有关噪音释放的信息，请参阅 *技术参数* 在第 733 页上。

Husqvarna, 2021-12-01

Claes Losdal, Husqvarna AB 园艺产品开发经理  
技术文档负责人



---

## 注册商标

---

Bluetooth® 文字标志和徽标是 Bluetooth SIG, inc. 所拥有的注册商标，Husqvarna 对这些标志的任何使用均获得了许可。







[www.husqvarna.com](http://www.husqvarna.com)

Original instructions  
Оригинални инструкции  
Původní pokyny  
Originale instruktioner  
Originalanweisungen  
Αρχικές οδηγίες  
Instrucciones originales  
Originaaljuhend  
Alkuperäiset ohjeet  
Instructions d'origine  
Originalne upute  
Eredeti útmutatás  
Istruzioni originali  
取扱説明書原本  
Originalios instrukcijos

Lietošanas pamācība  
Originale instructies  
Originale instruksjoner  
Oryginalne instrukcje  
Instruções originais  
Instrucțiuni inițiale  
Оригинальные инструкции  
Põlvodné pokyny  
Izvirna navodila  
Originalna uputstva  
Bruksanvisning i original  
Orijinal talimatlar  
Оригiнальнi iнструкцiї  
原始说明

1142799-38



2021-12-20



## Free Manuals Download Website

<http://myh66.com>

<http://usermanuals.us>

<http://www.somanuals.com>

<http://www.4manuals.cc>

<http://www.manual-lib.com>

<http://www.404manual.com>

<http://www.luxmanual.com>

<http://aubethermostatmanual.com>

Golf course search by state

<http://golfingnear.com>

Email search by domain

<http://emailbydomain.com>

Auto manuals search

<http://auto.somanuals.com>

TV manuals search

<http://tv.somanuals.com>