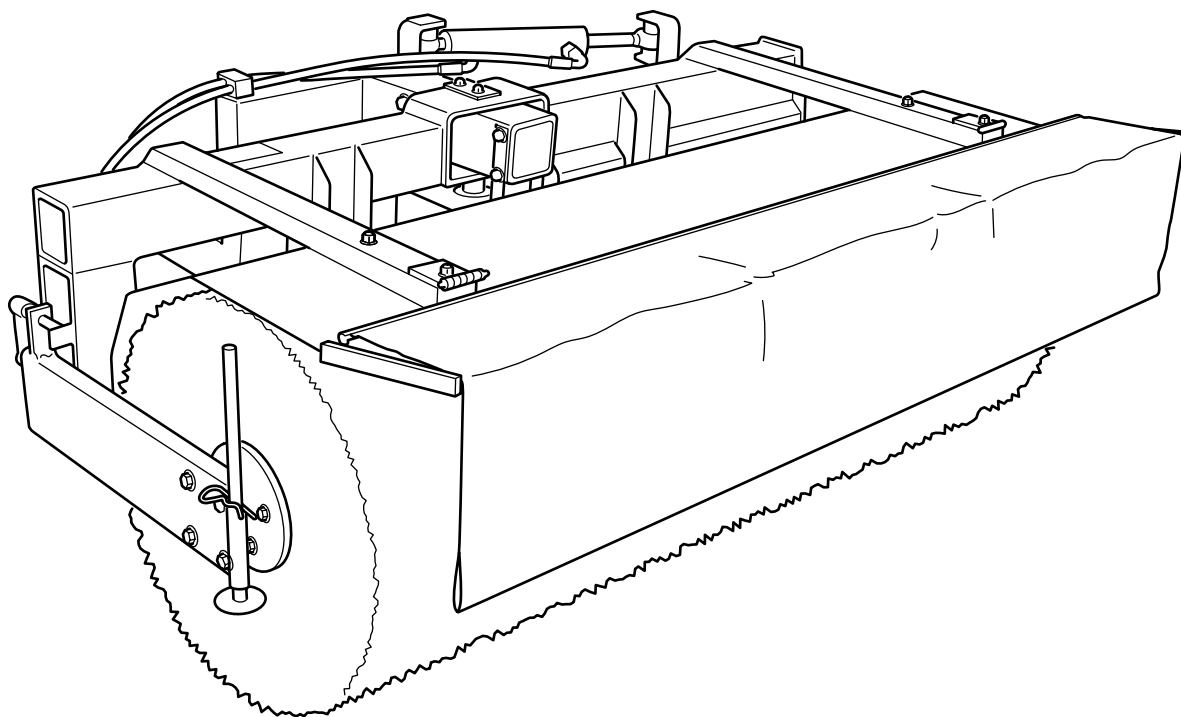


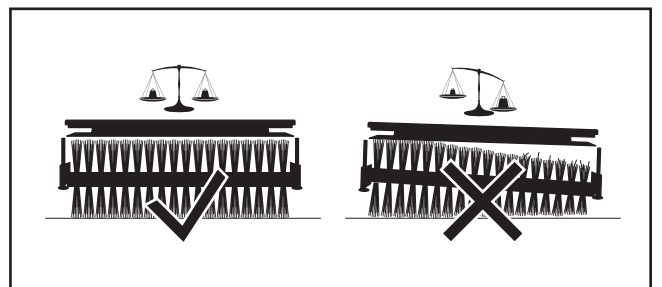
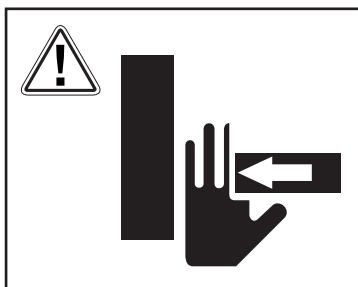
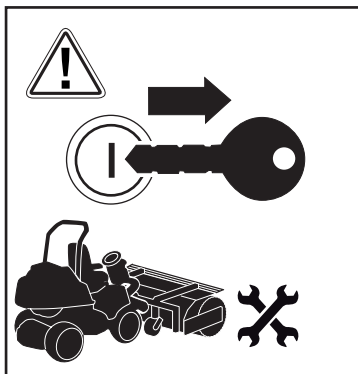
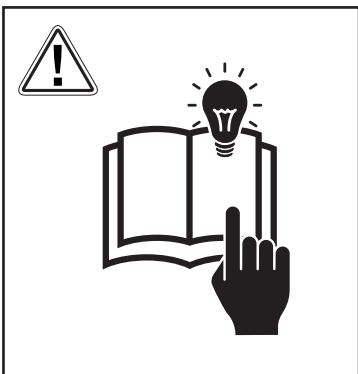
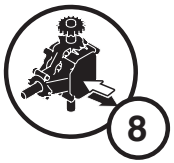
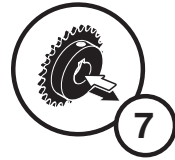
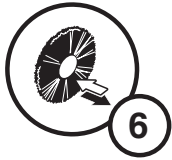
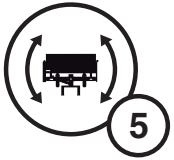
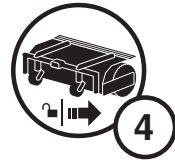
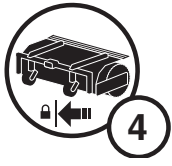
# Operators manual

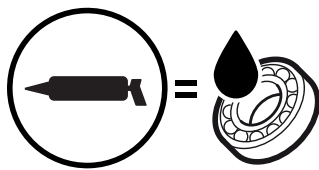
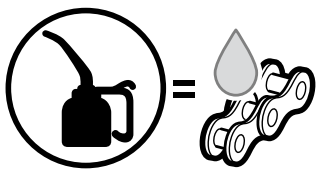
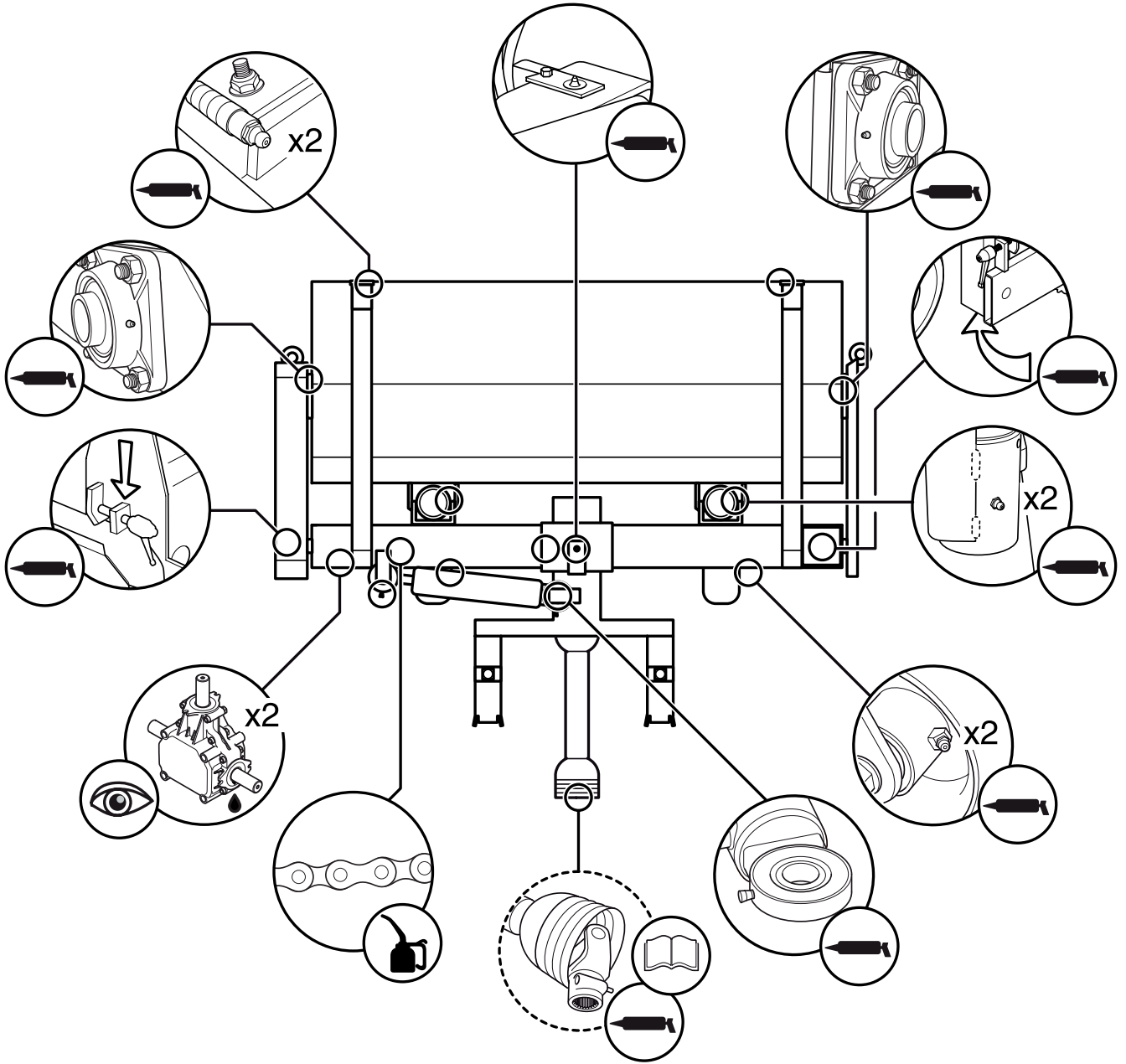
# Broom P525 D/P520 D

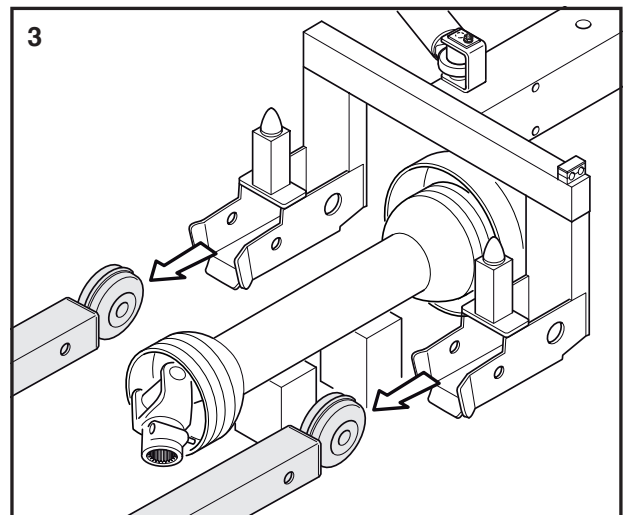
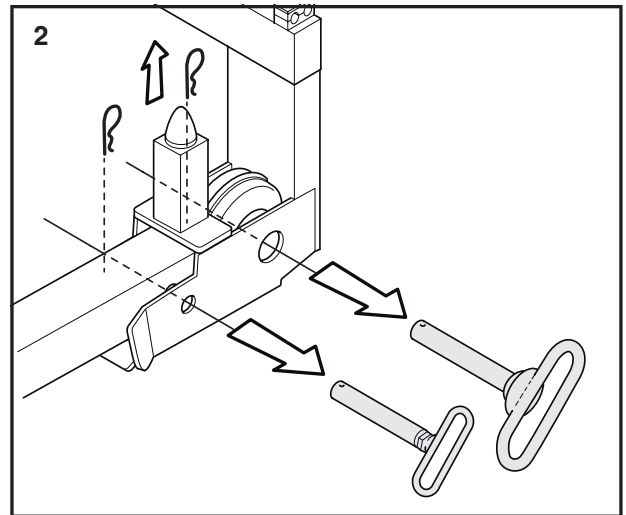
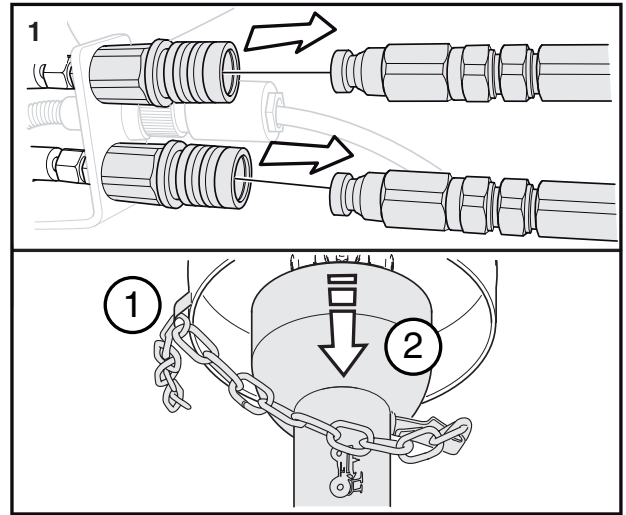
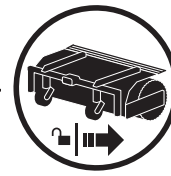
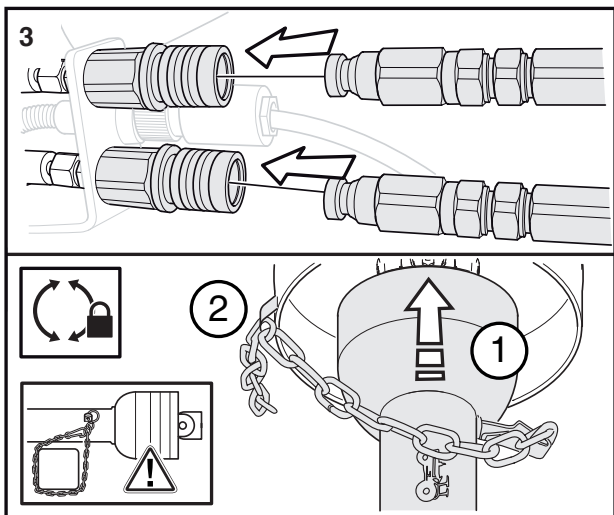
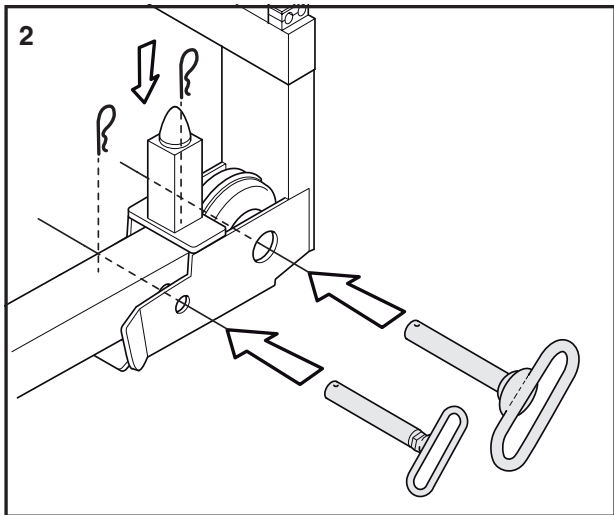
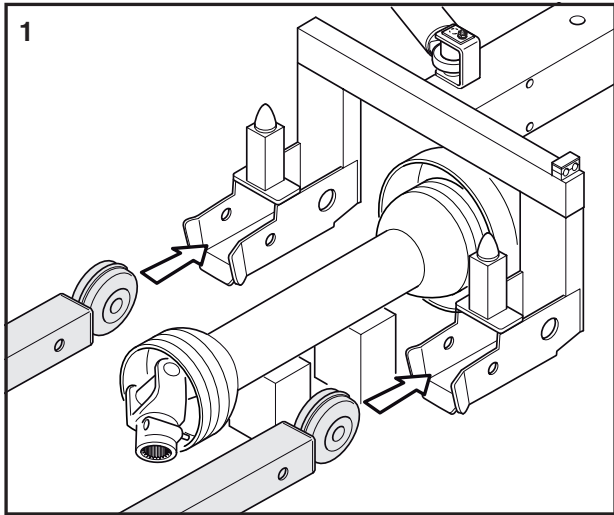
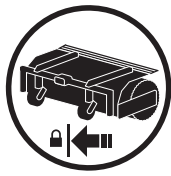
590 45 00-01

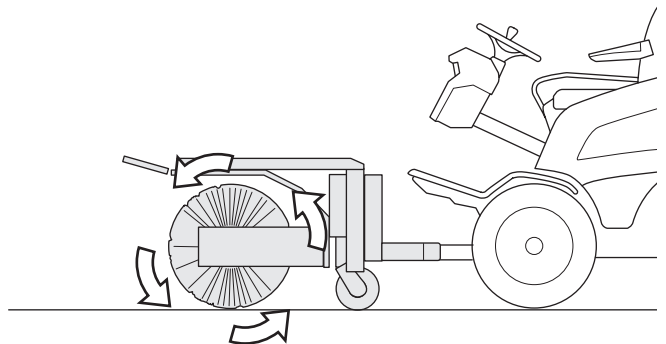
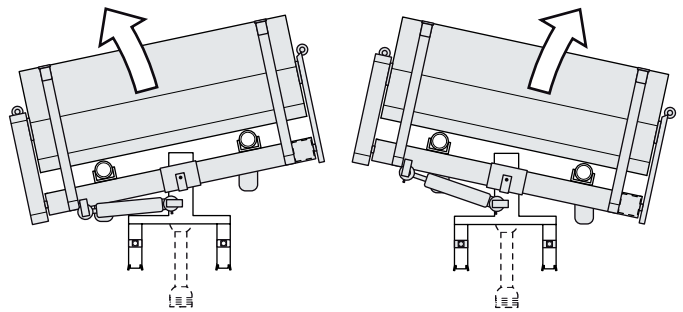
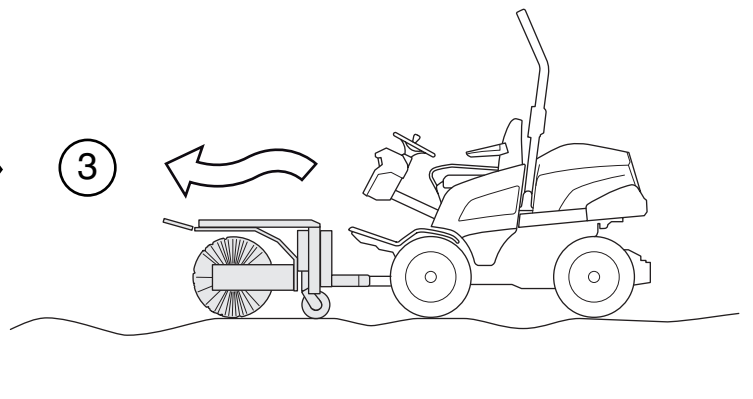
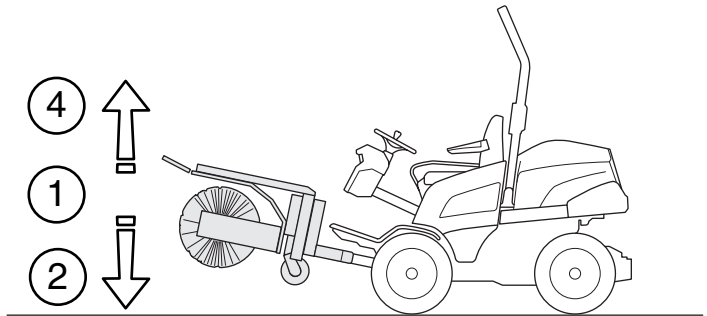
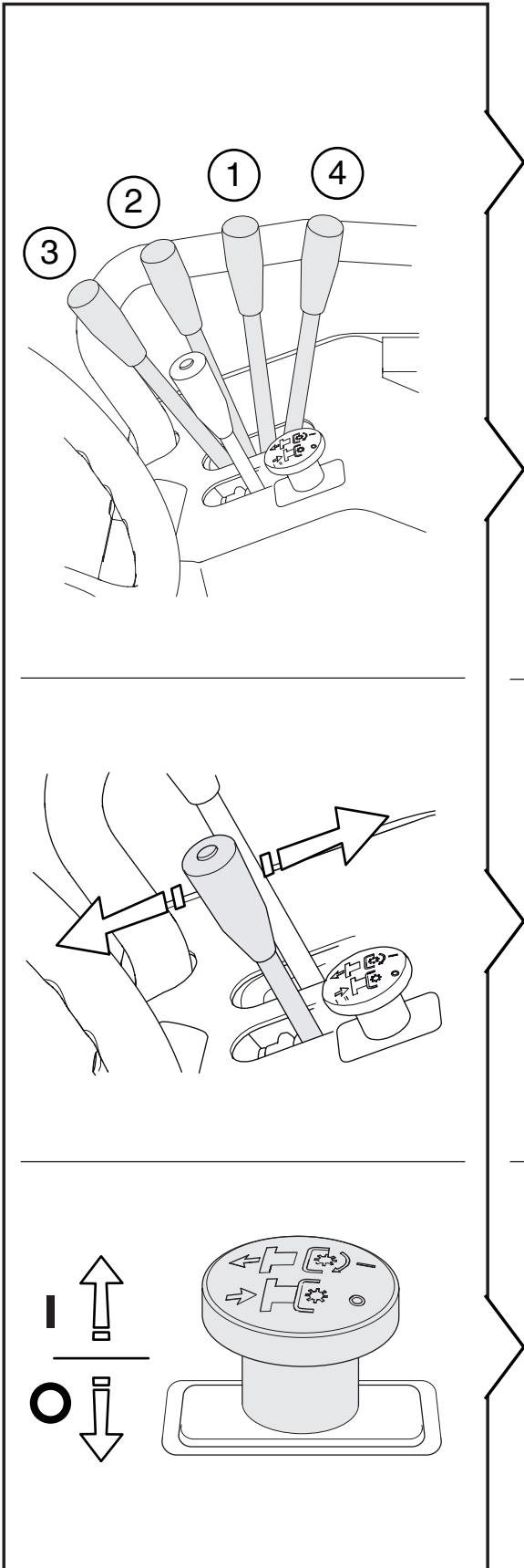
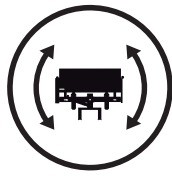
Read the user manual carefully before using this product

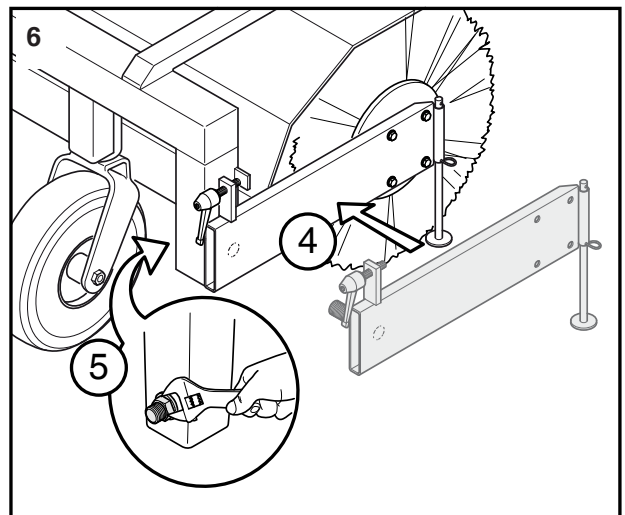
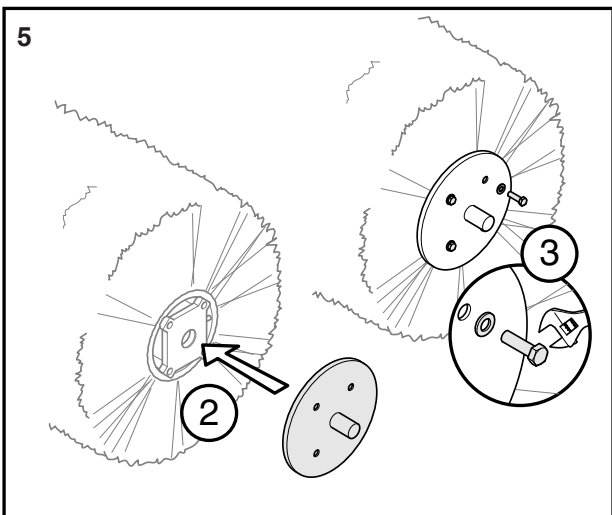
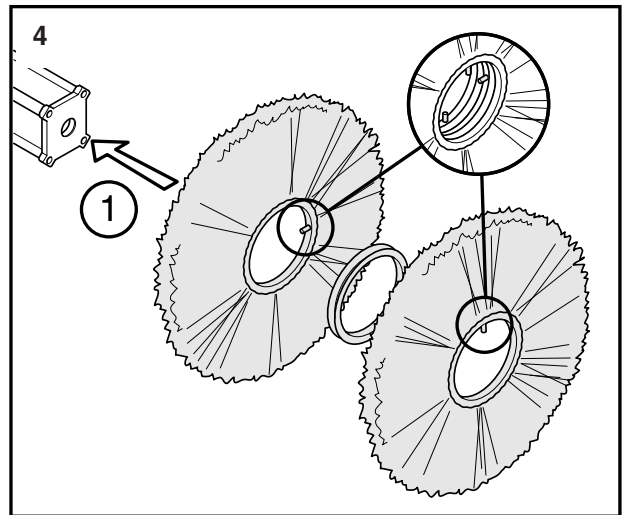
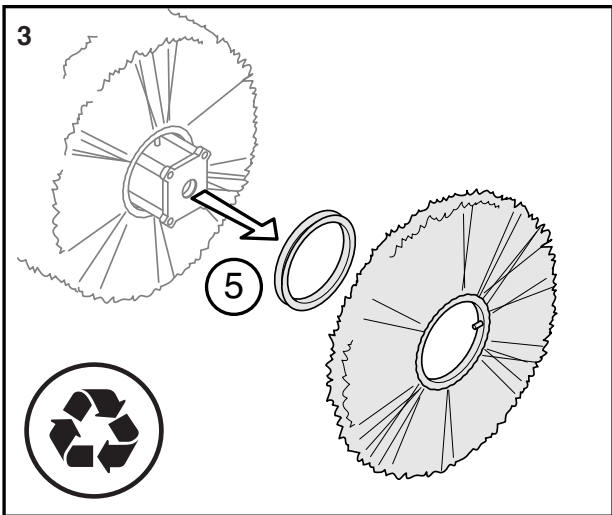
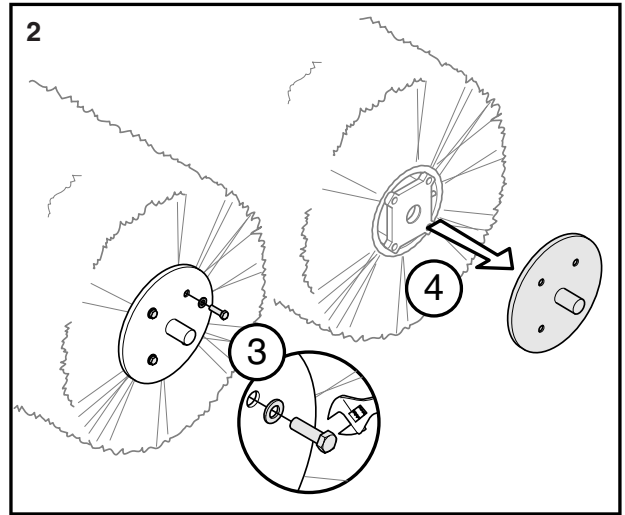
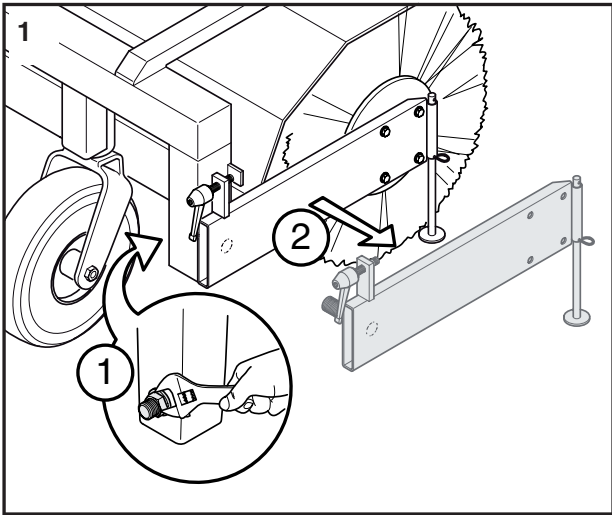
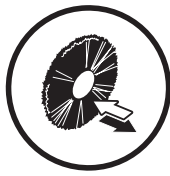


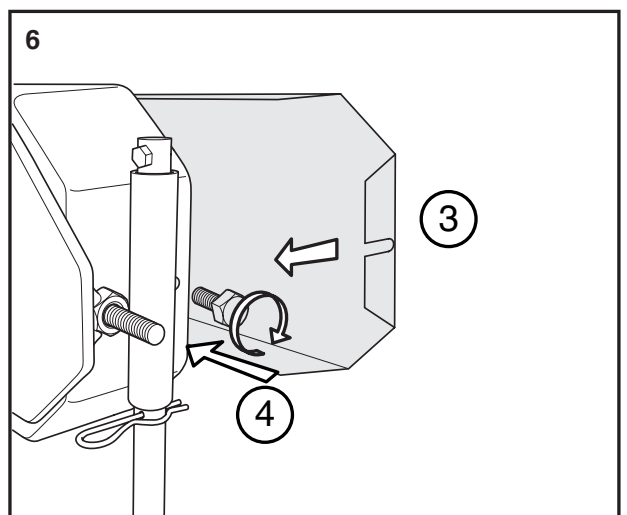
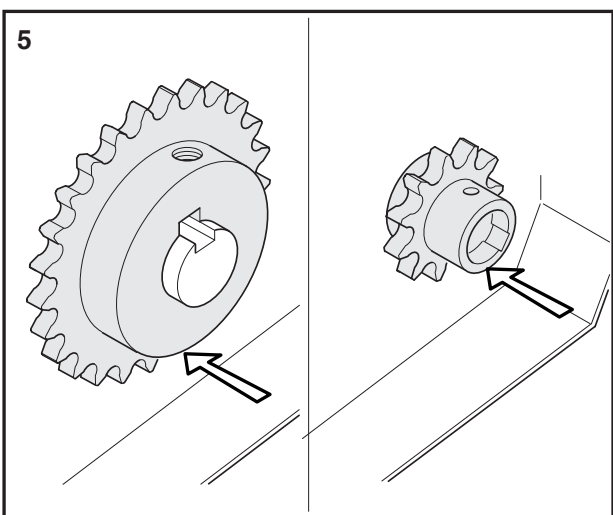
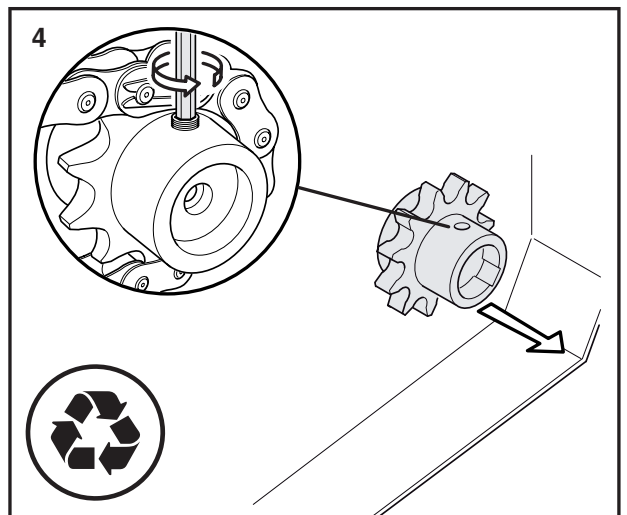
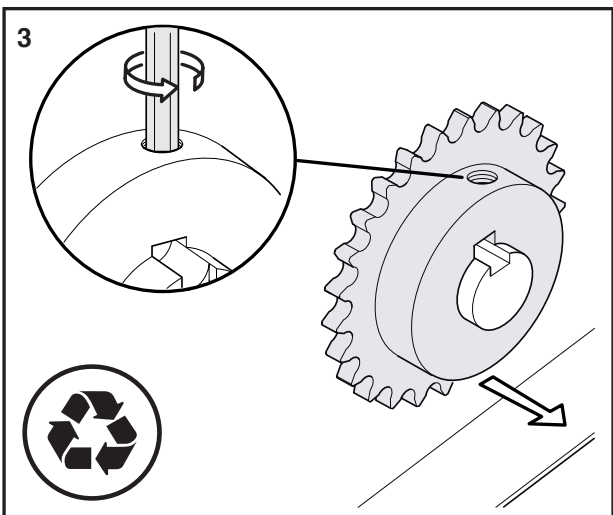
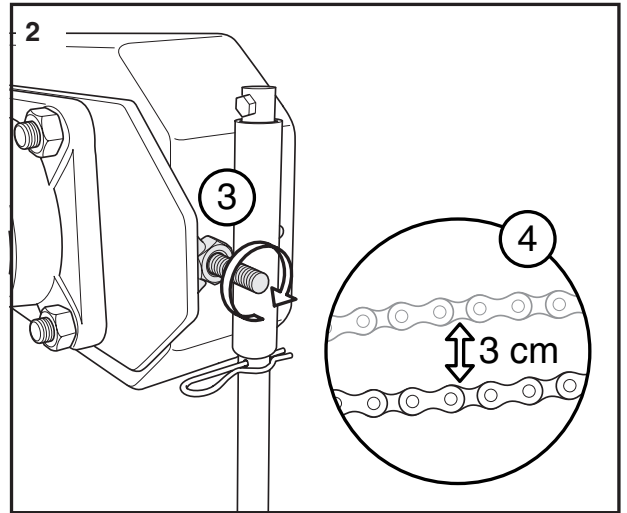
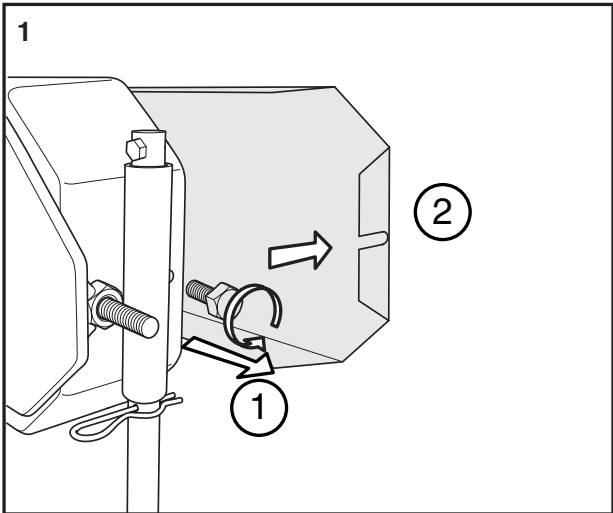


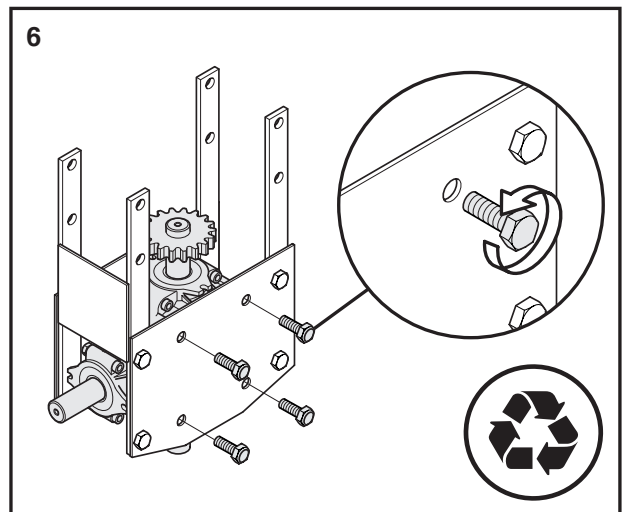
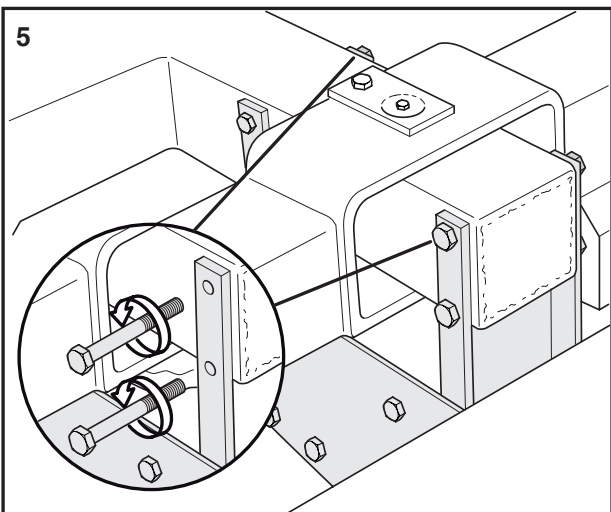
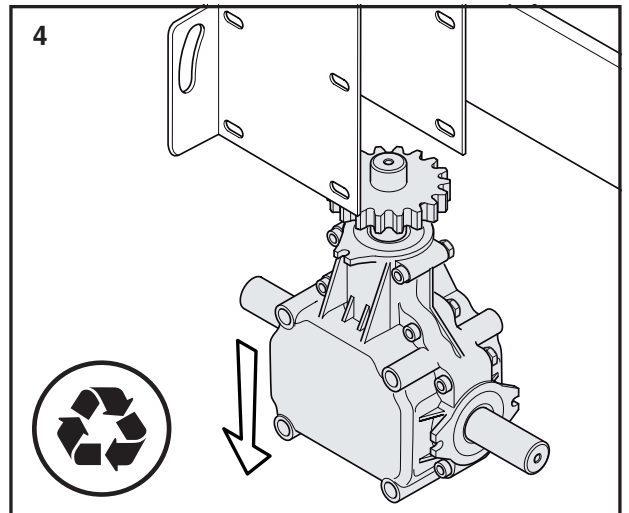
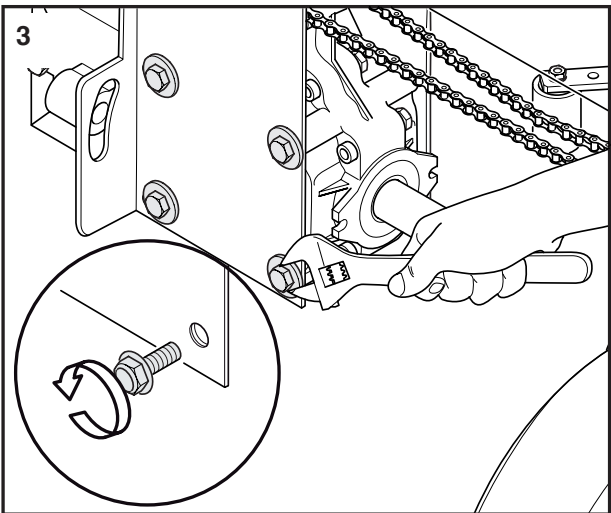
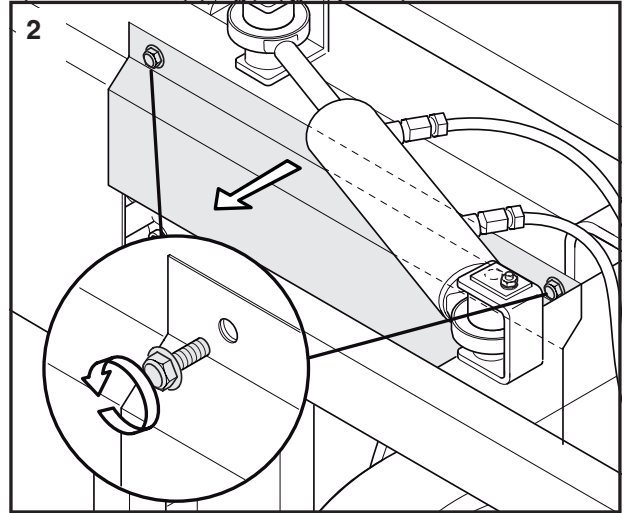
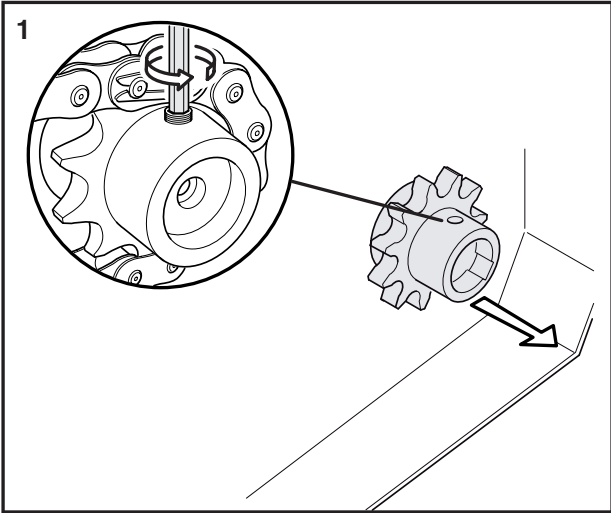




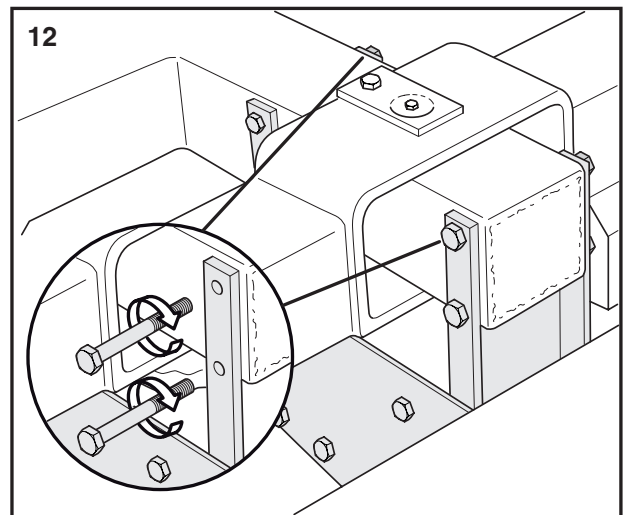
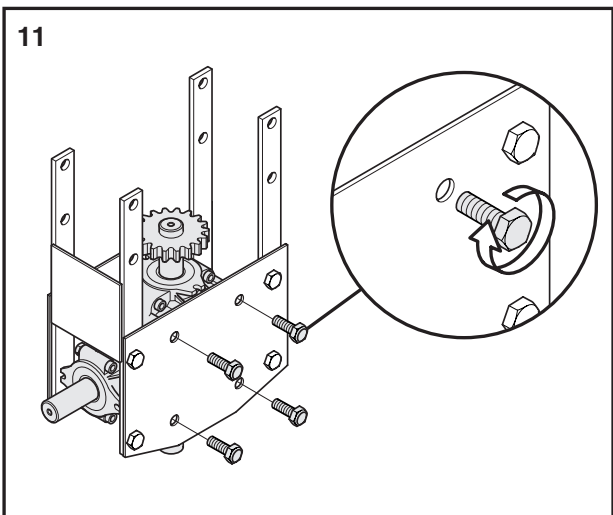
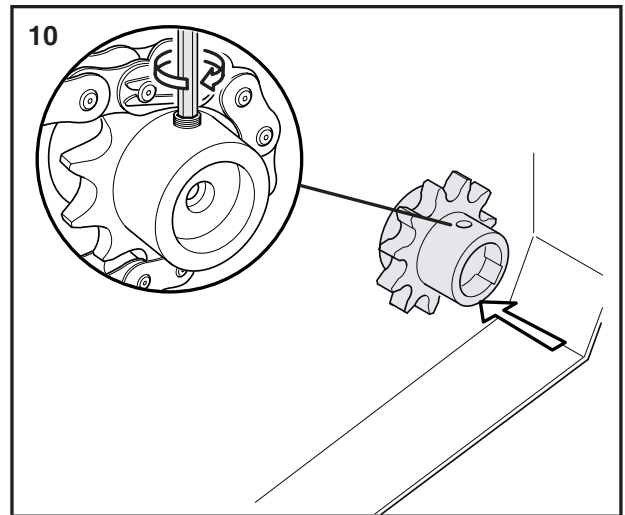
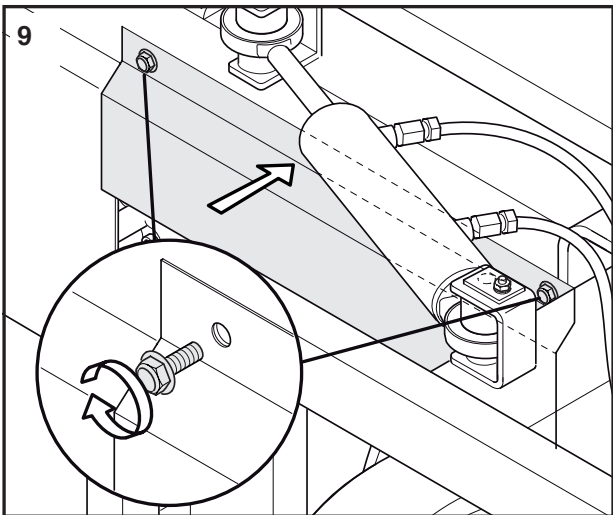
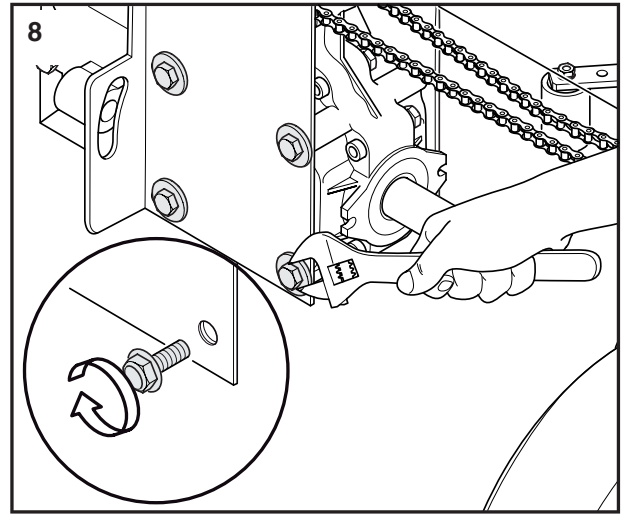
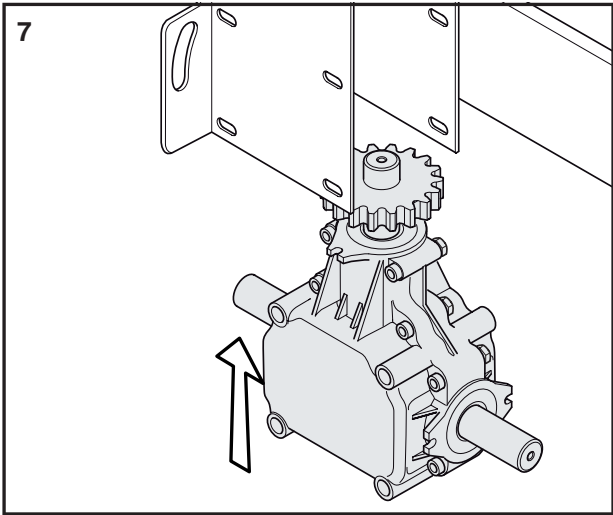


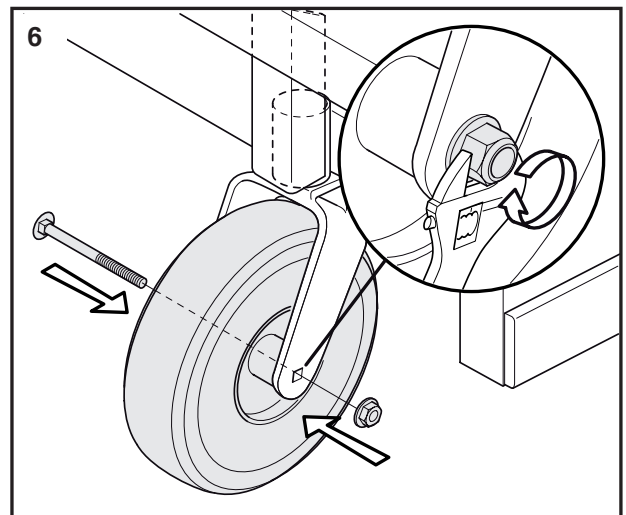
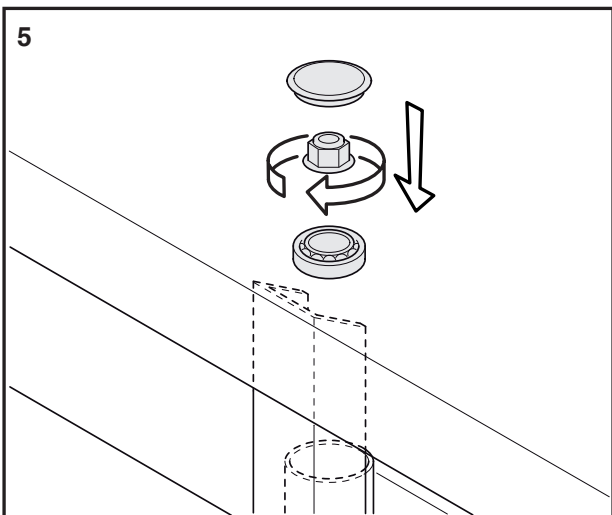
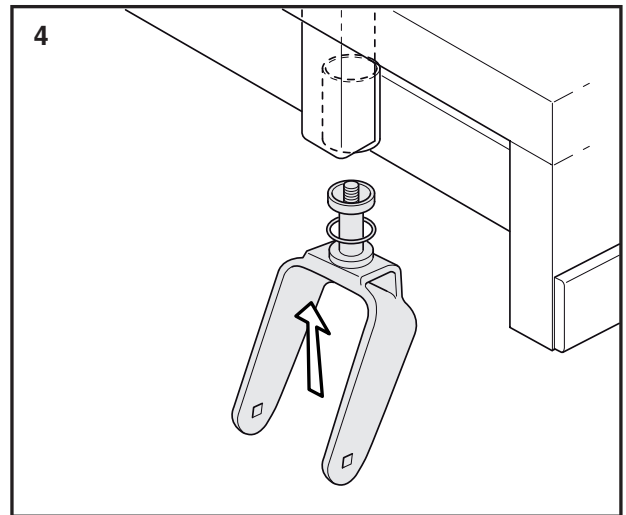
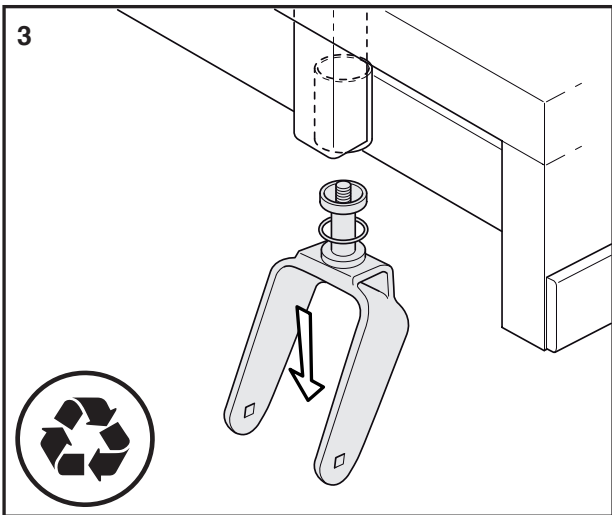
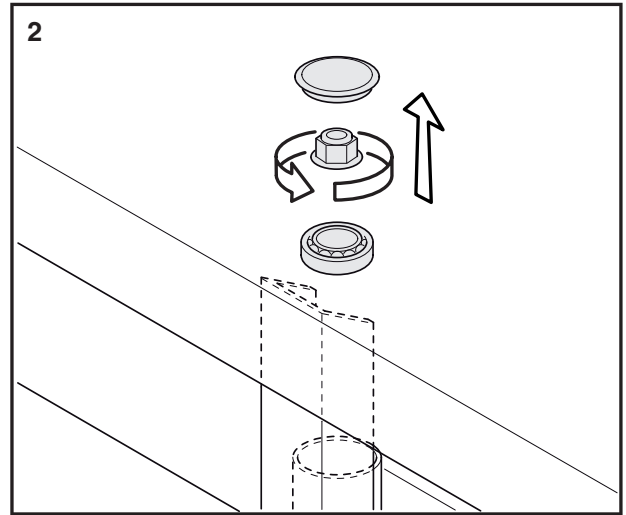
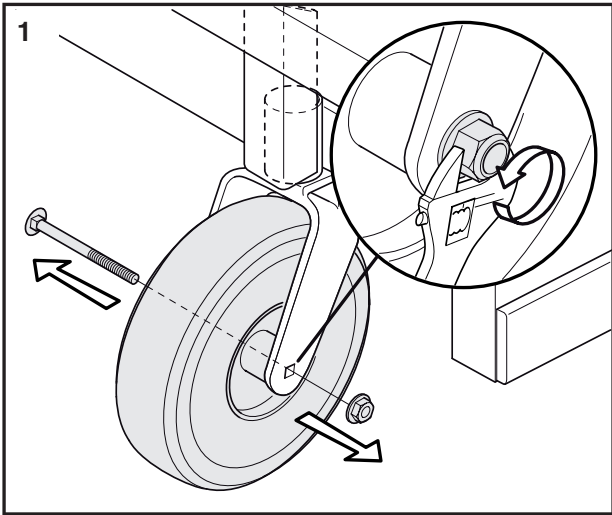


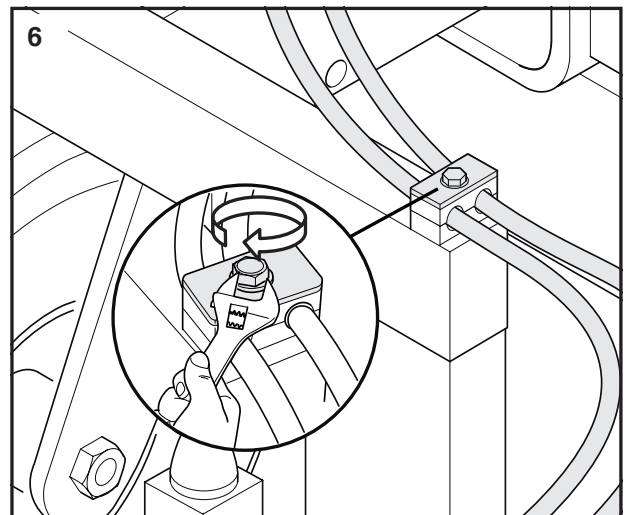
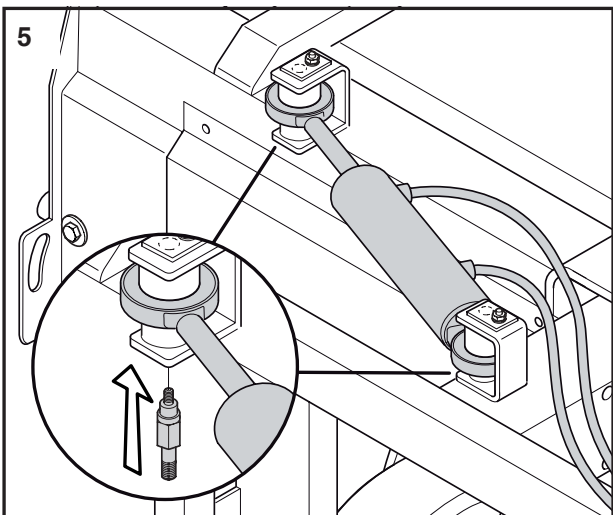
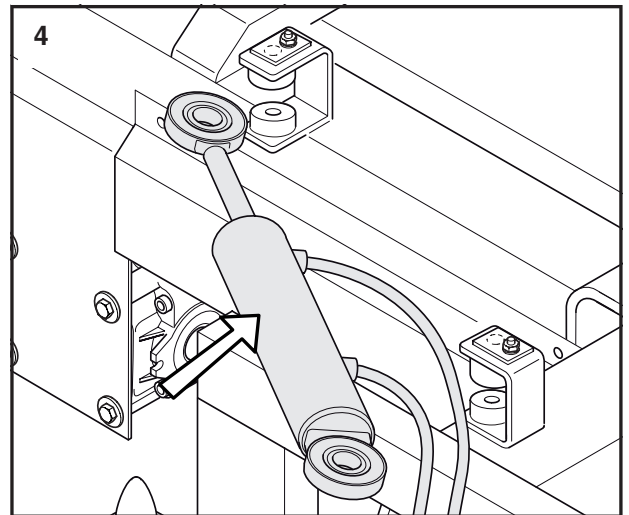
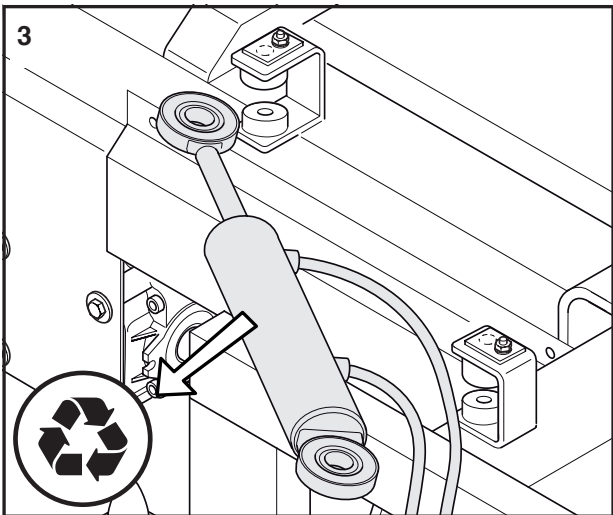
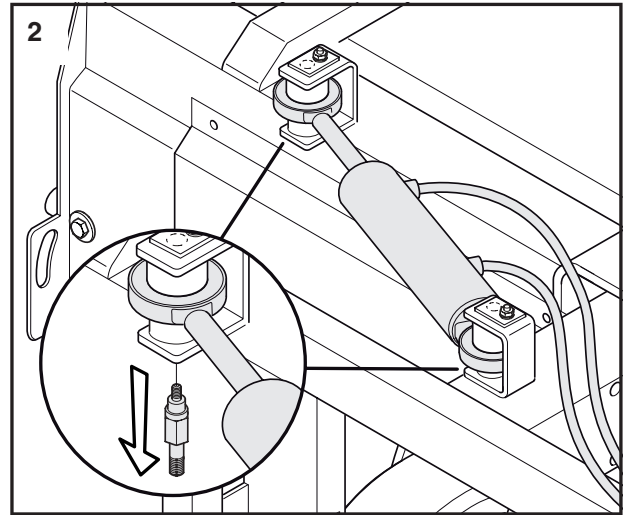
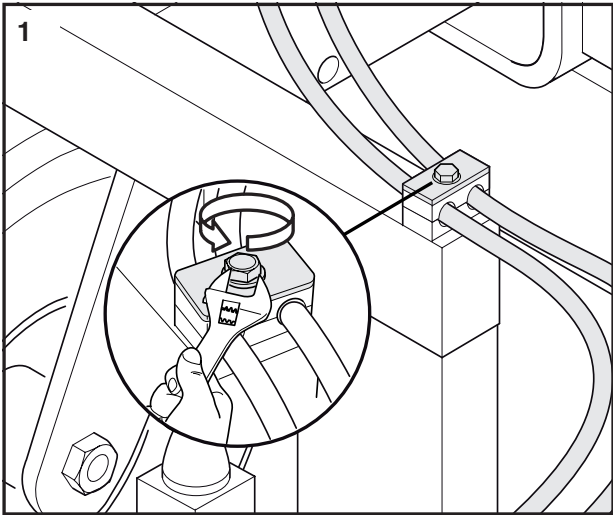


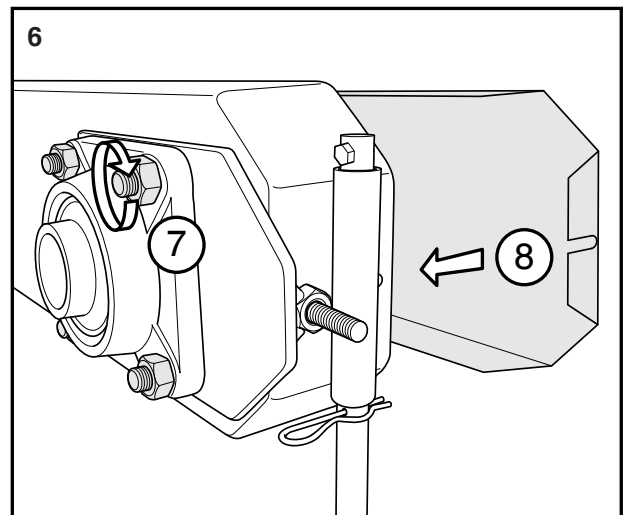
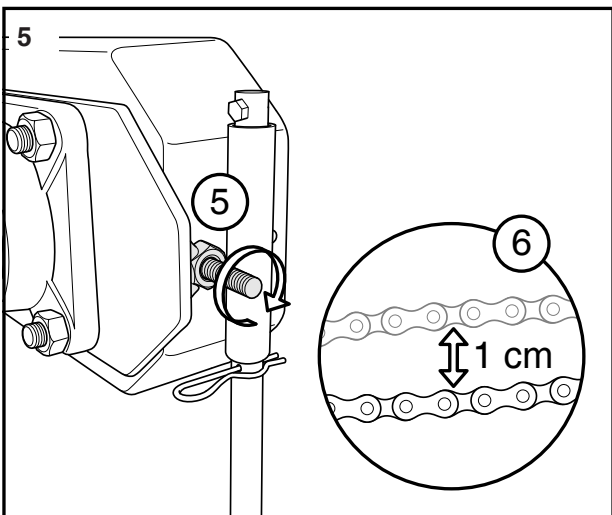
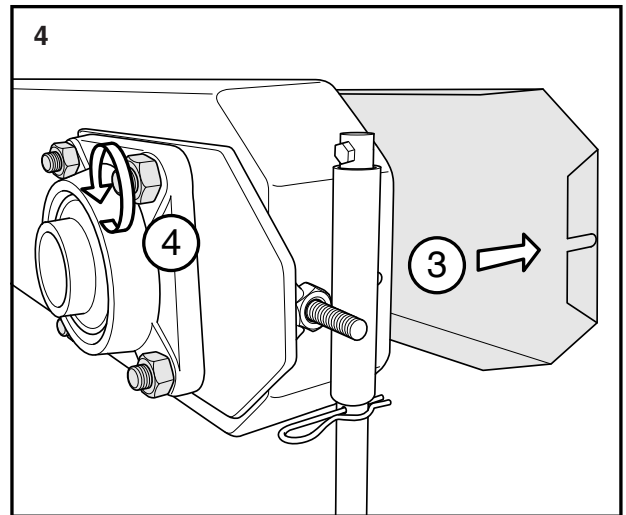
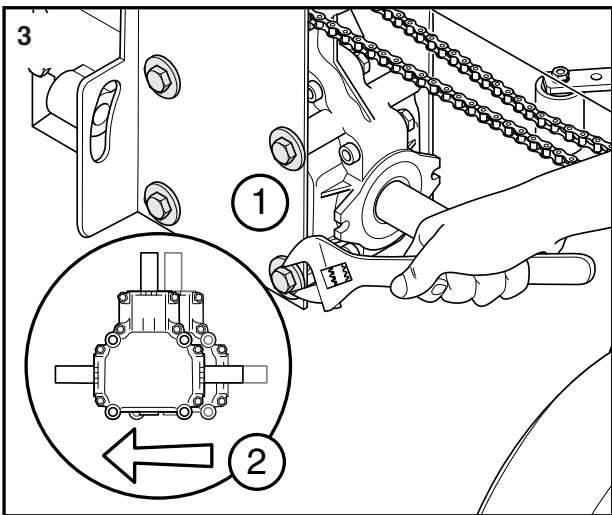
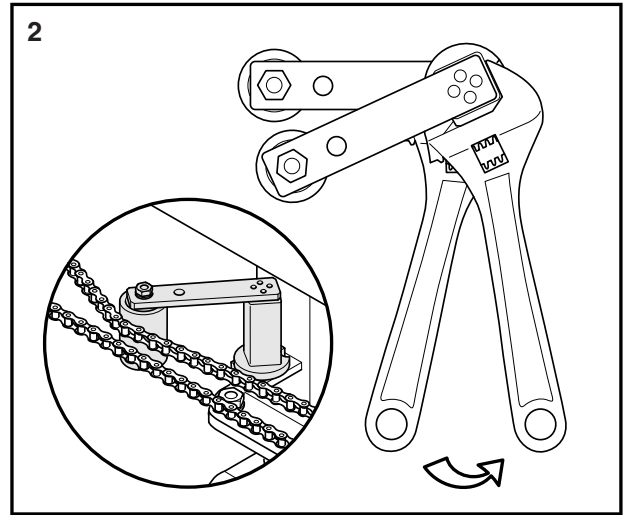
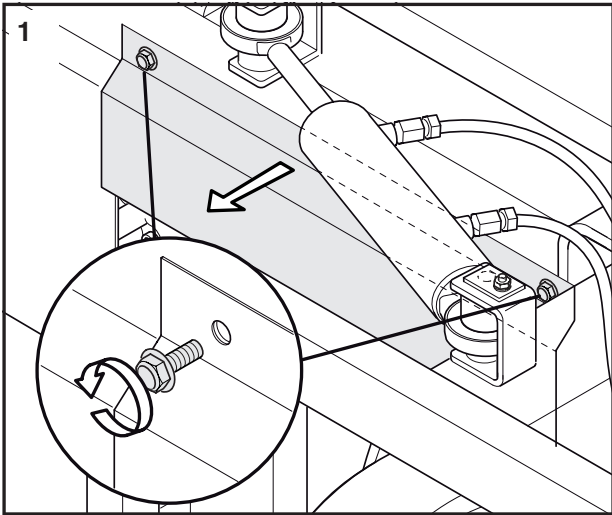






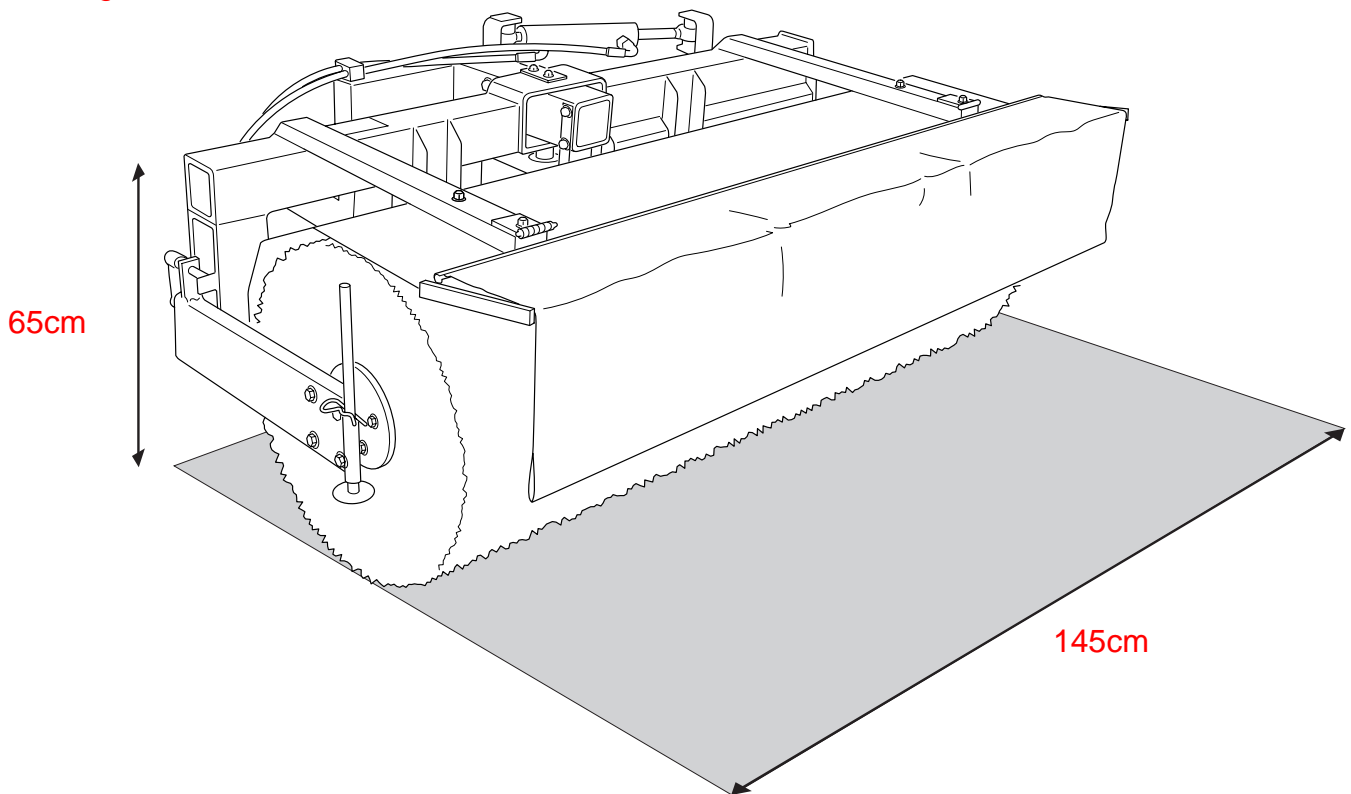


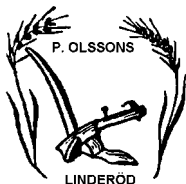






163 kg





Firman grundad 1907

---

Fjälkinge

Vår beteckning/ref

2017-10-04

590 45 00-01

Ert datum

Er beteckning/ref

---

Husqvarna AB  
S-561 82 HUSKVARNA

CERTIFICATE

GB

Manufacturer: P. Olssons i Linderöd AB, Steglitsvägen 6, 291 67 Fjälkinge hereby certifies that the machine type 590 45 00-01 conforms to the Machine Directive maskindirektivet 89-392-EEC, 91-368-EEC, 93-44-EEC with special reference to annex 1 of the directive concerning essential health and requirements in relation to design and manufacture.

Fjälkinge 2017-10-04

A handwritten signature in black ink, appearing to be 'Ola Olsson', followed by a horizontal dotted line.

Ola Olsson



## Free Manuals Download Website

<http://myh66.com>

<http://usermanuals.us>

<http://www.somanuals.com>

<http://www.4manuals.cc>

<http://www.manual-lib.com>

<http://www.404manual.com>

<http://www.luxmanual.com>

<http://aubethermostatmanual.com>

Golf course search by state

<http://golfingnear.com>

Email search by domain

<http://emailbydomain.com>

Auto manuals search

<http://auto.somanuals.com>

TV manuals search

<http://tv.somanuals.com>