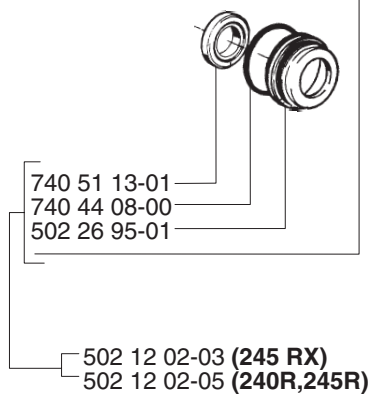
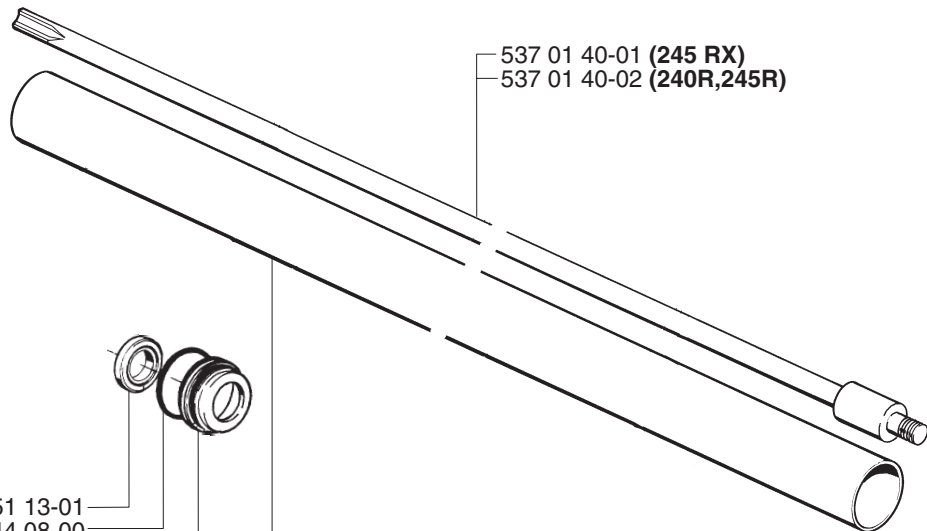
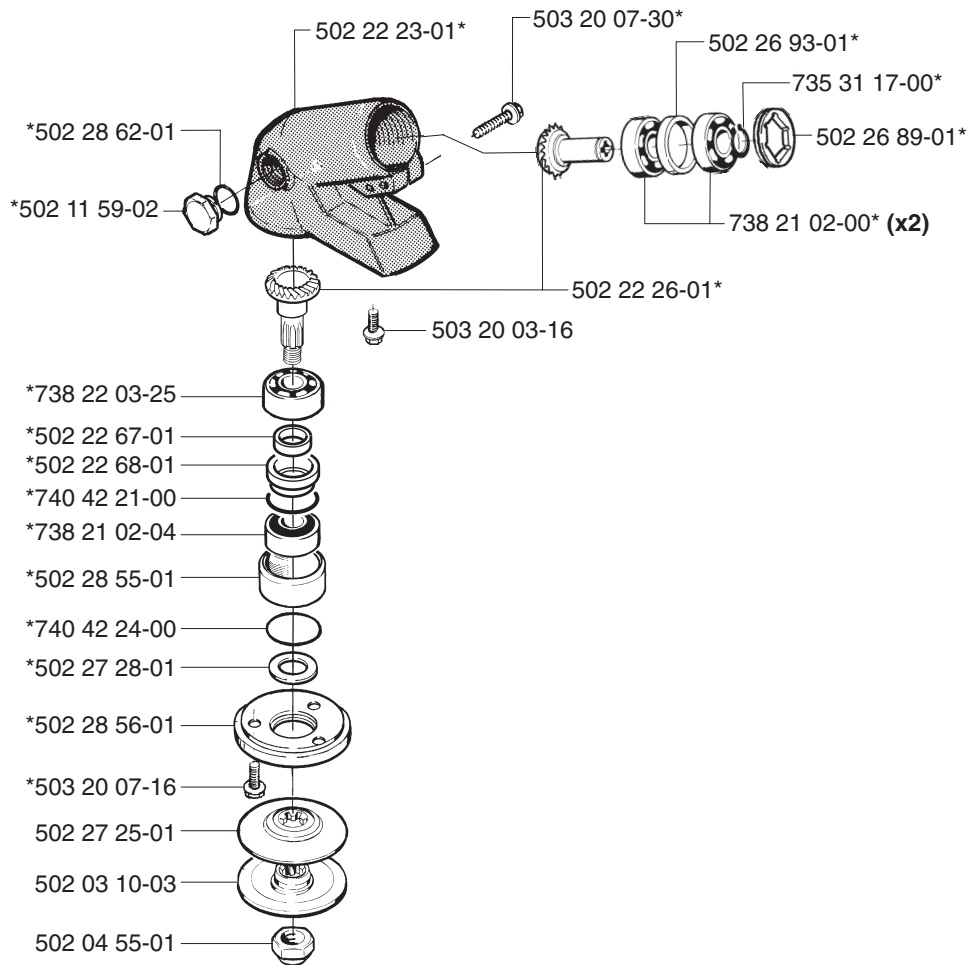


240, 245 240 EPA, 245 EPA

Spare parts
Ersatzteile
Pièces détachées
Reserveonderdelen
Repuestos
Reservdelar

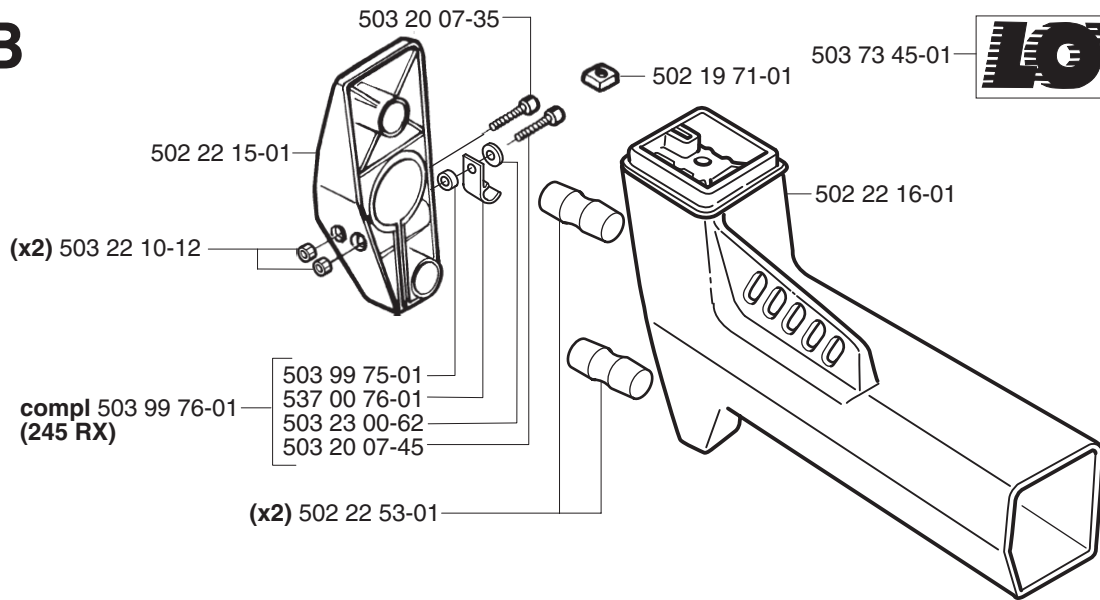
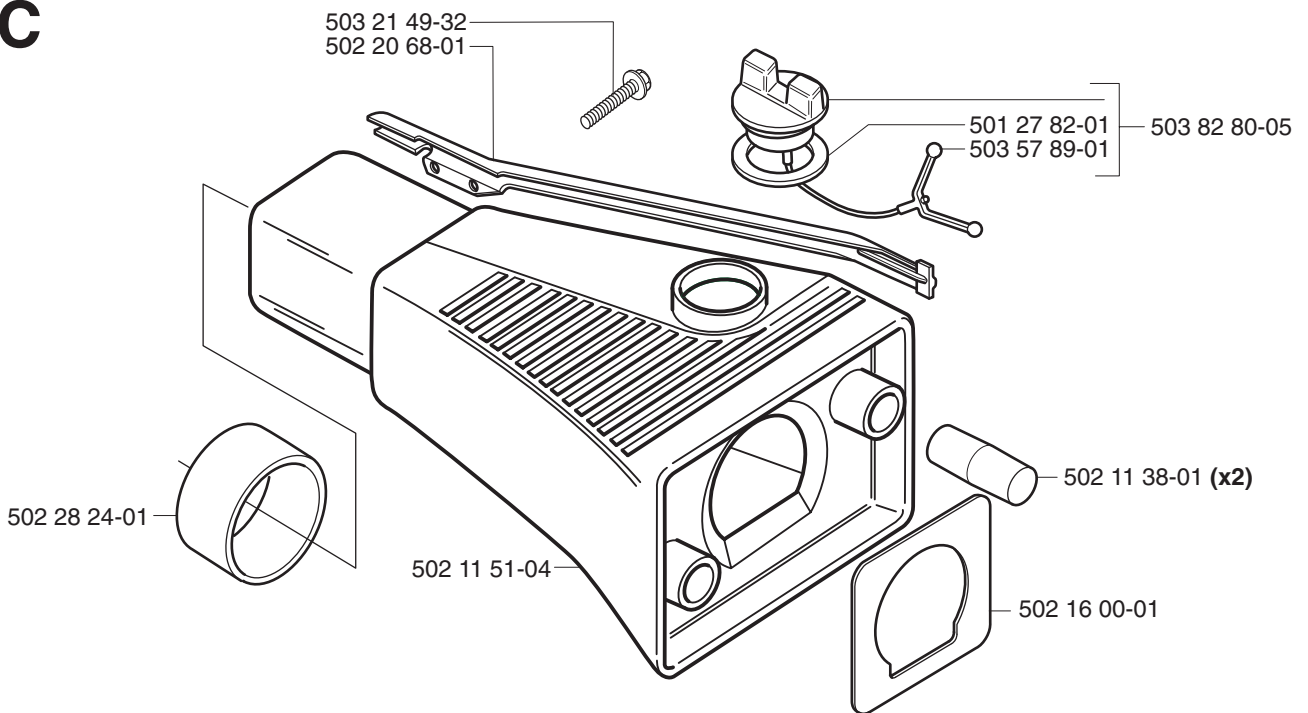
A

*compl 502 28 57-02

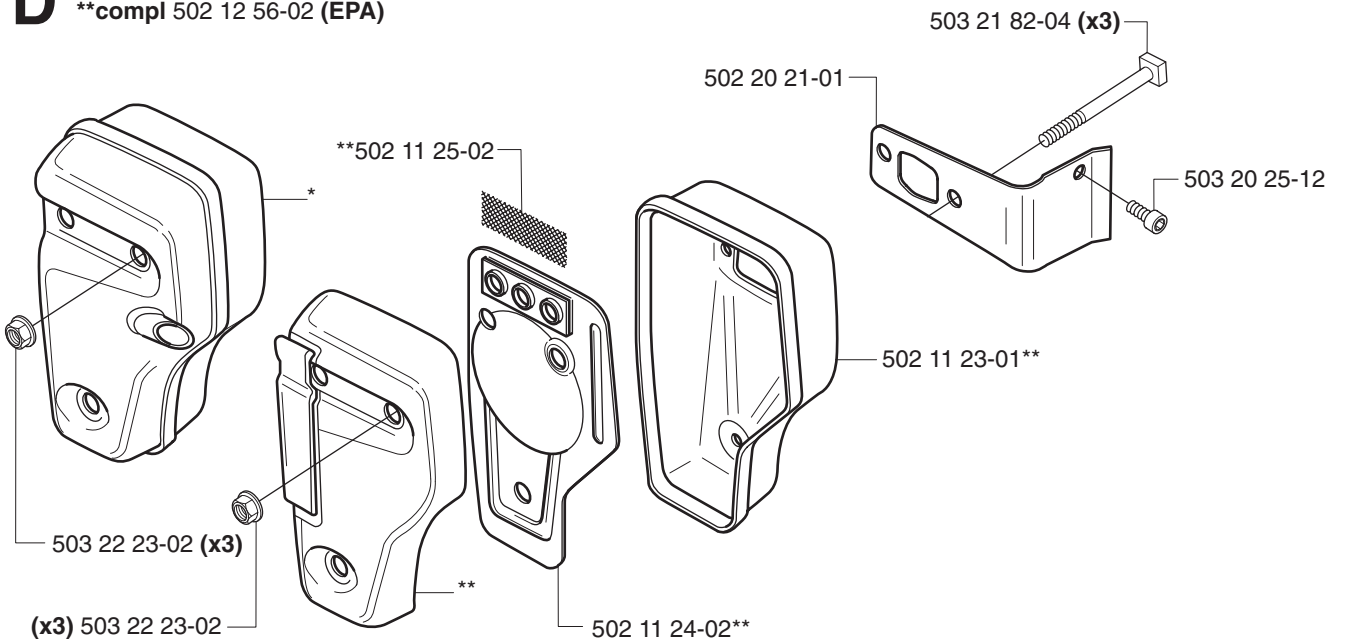


537 02 76-02



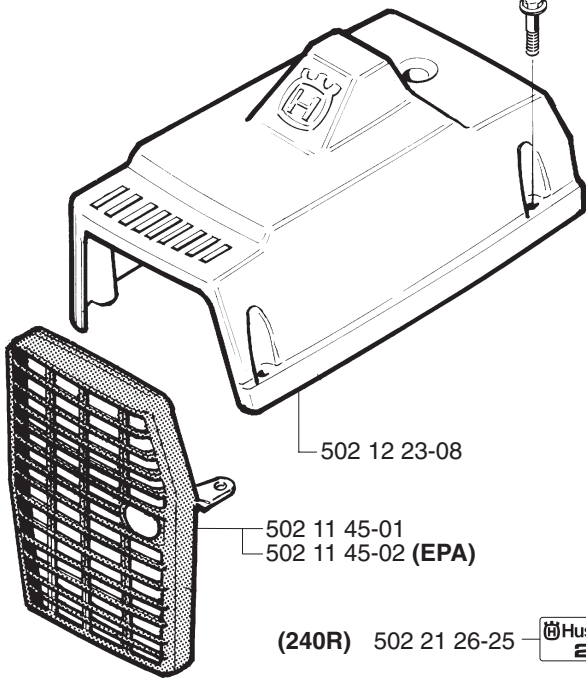
B**C****D**

*compl 502 11 22-03
 **compl 502 12 56-02 (EPA)



E

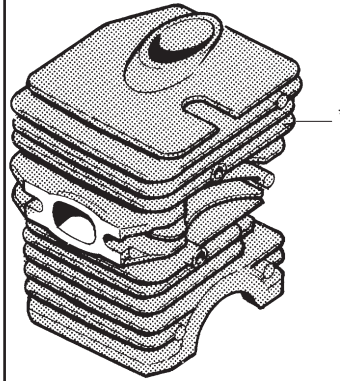
503 20 09-20 (x4)



(240R) 502 21 26-25

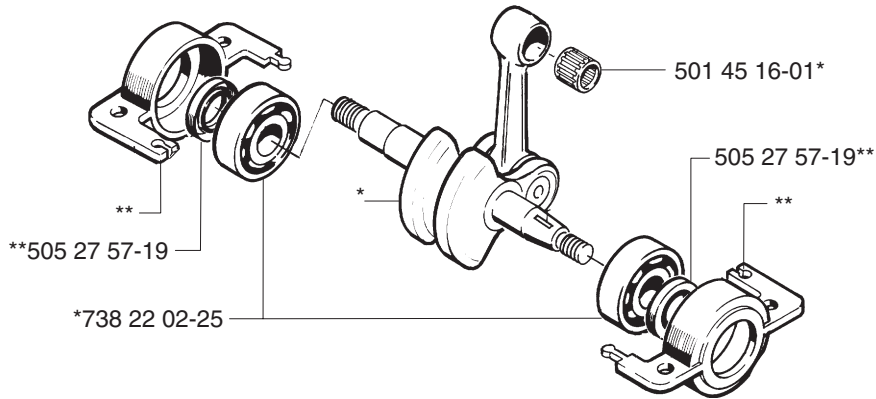
(245R) 502 21 26-26

(245RX) 502 21 26-27

F*compl 506 01 06-07 (240R)
*compl 503 44 08-02 (245R, 245RX)*503 48 90-01
(240R)
*503 44 10-01
(245R, 245RX)503 28 90-03
(240R)
503 28 90-05
(245R, 245RX)

737 44 10-00

*501 45 16-01

G*compl 503 57 38-06
**compl 502 23 02-01

501 45 16-01*

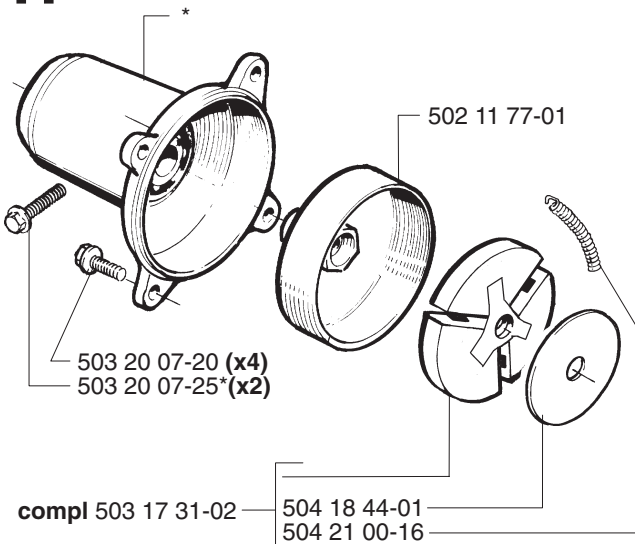
505 27 57-19**

**505 27 57-19

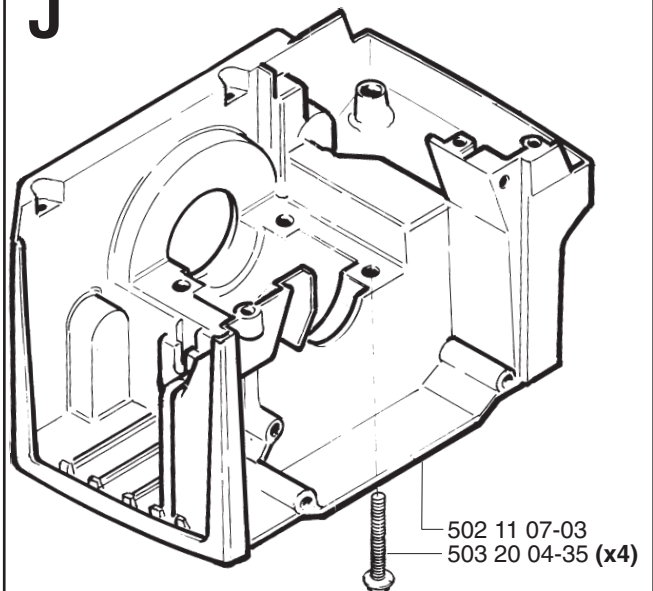
*738 22 02-25

H

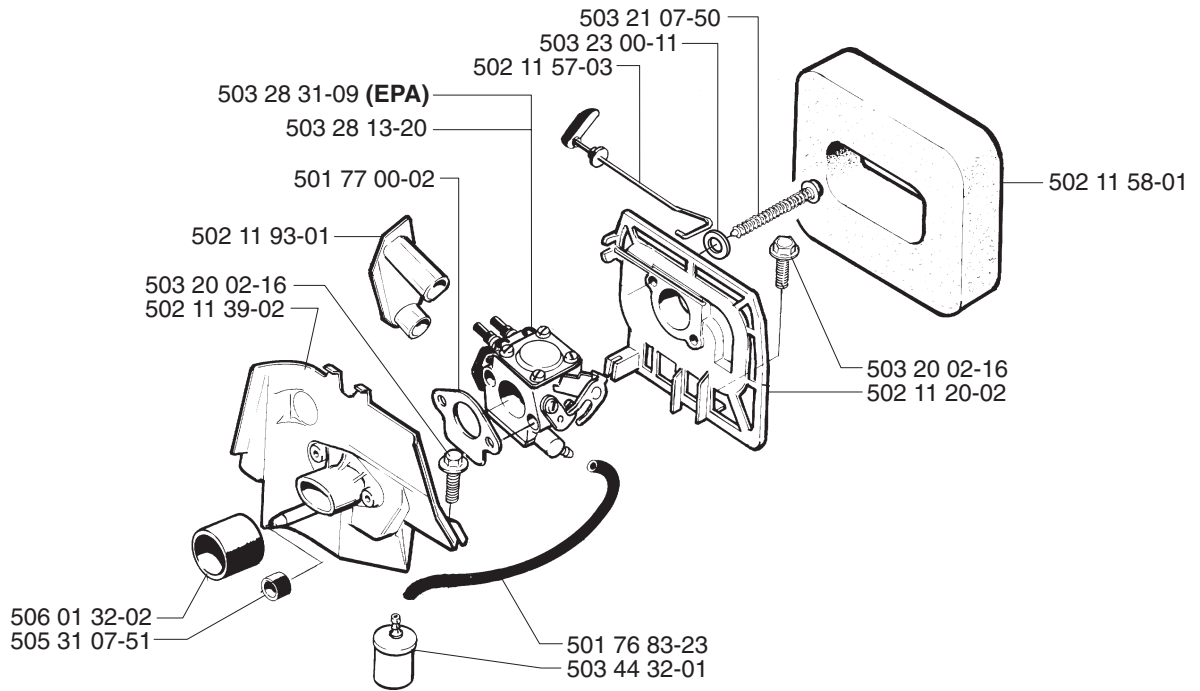
*compl 502 11 52-01

503 20 07-20 (x4)
503 20 07-25* (x2)

502 11 77-01

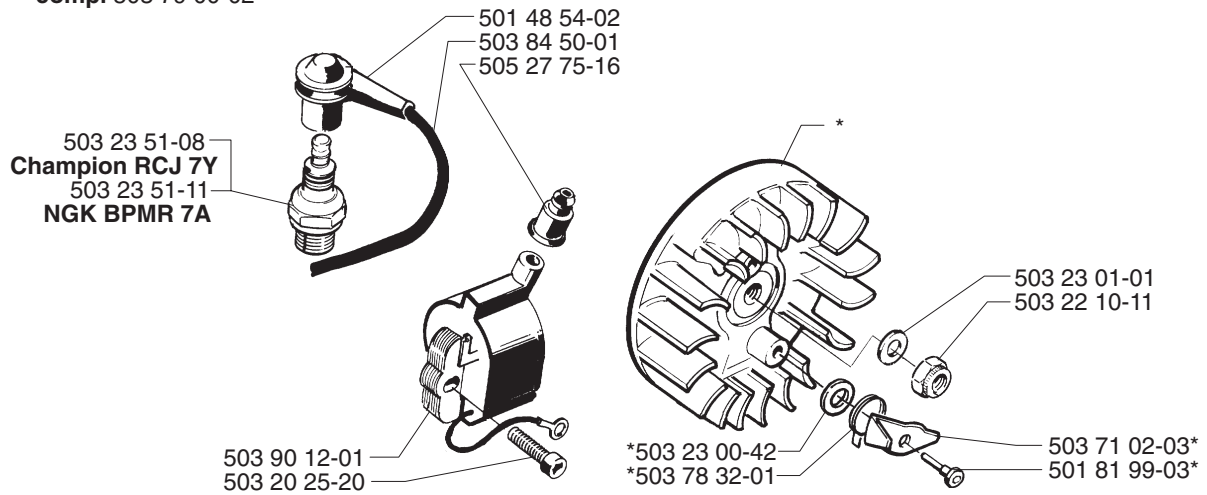
compl 503 17 31-02 504 18 44-01
504 21 00-16**J**502 11 07-03
503 20 04-35 (x4)

K



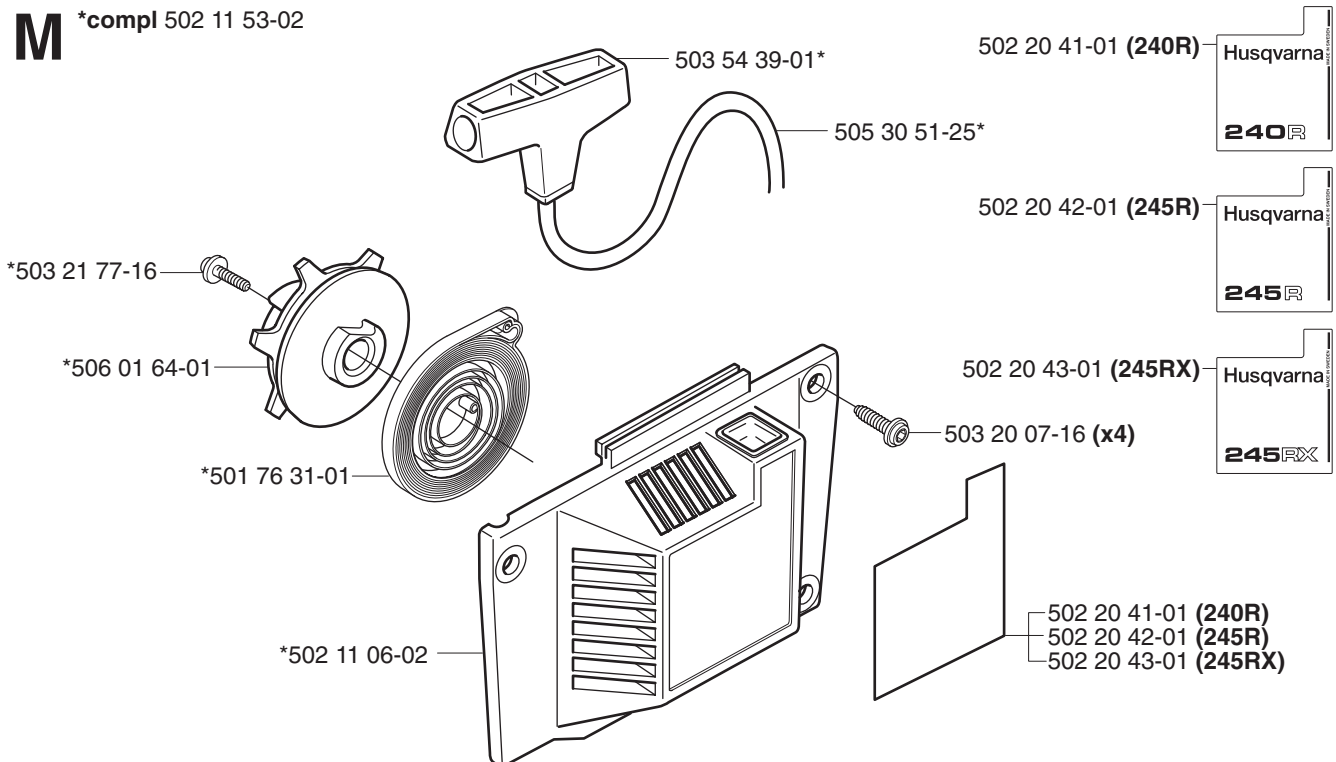
L

*compl 503 79 00-02



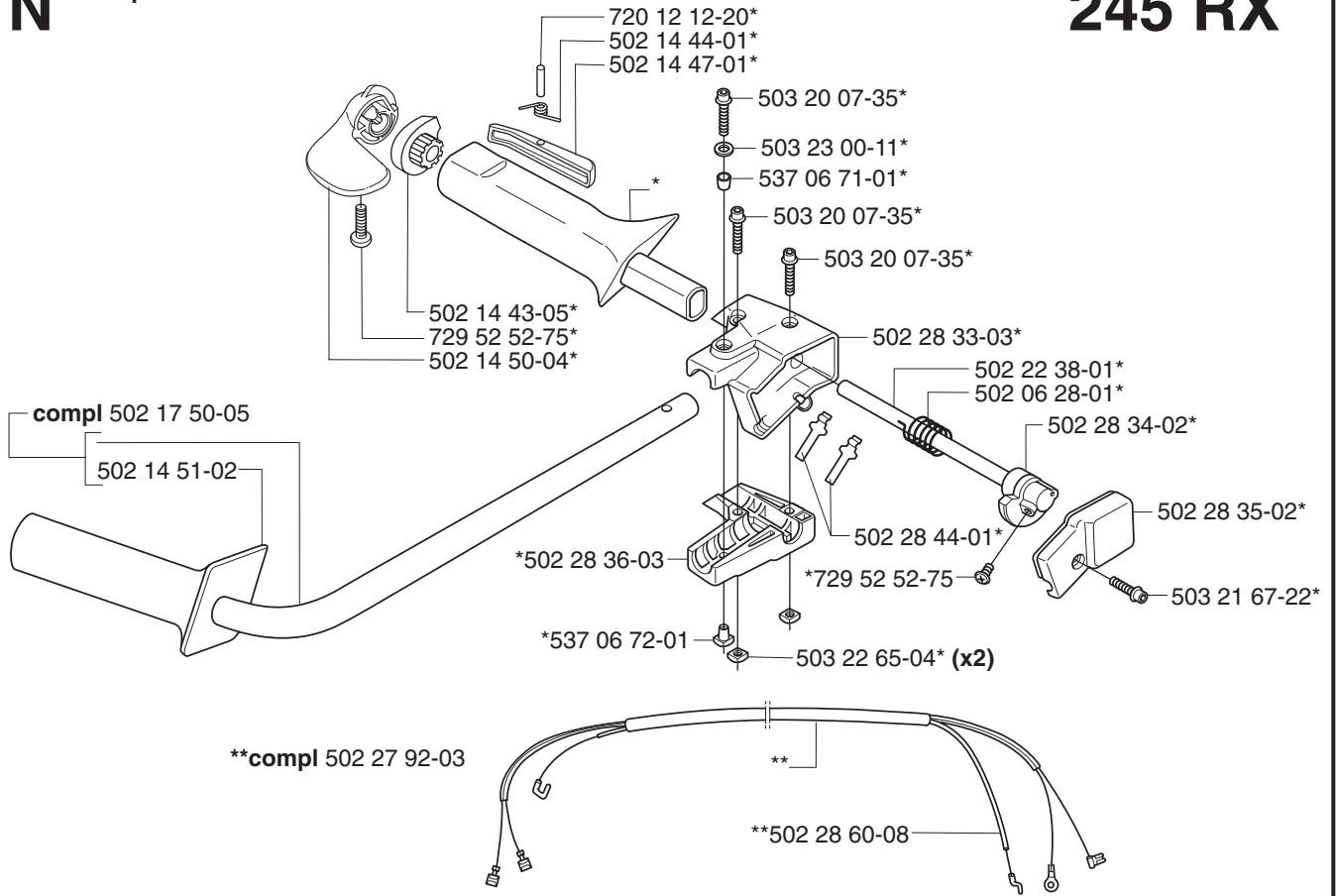
M

*compl 502 11 53-02



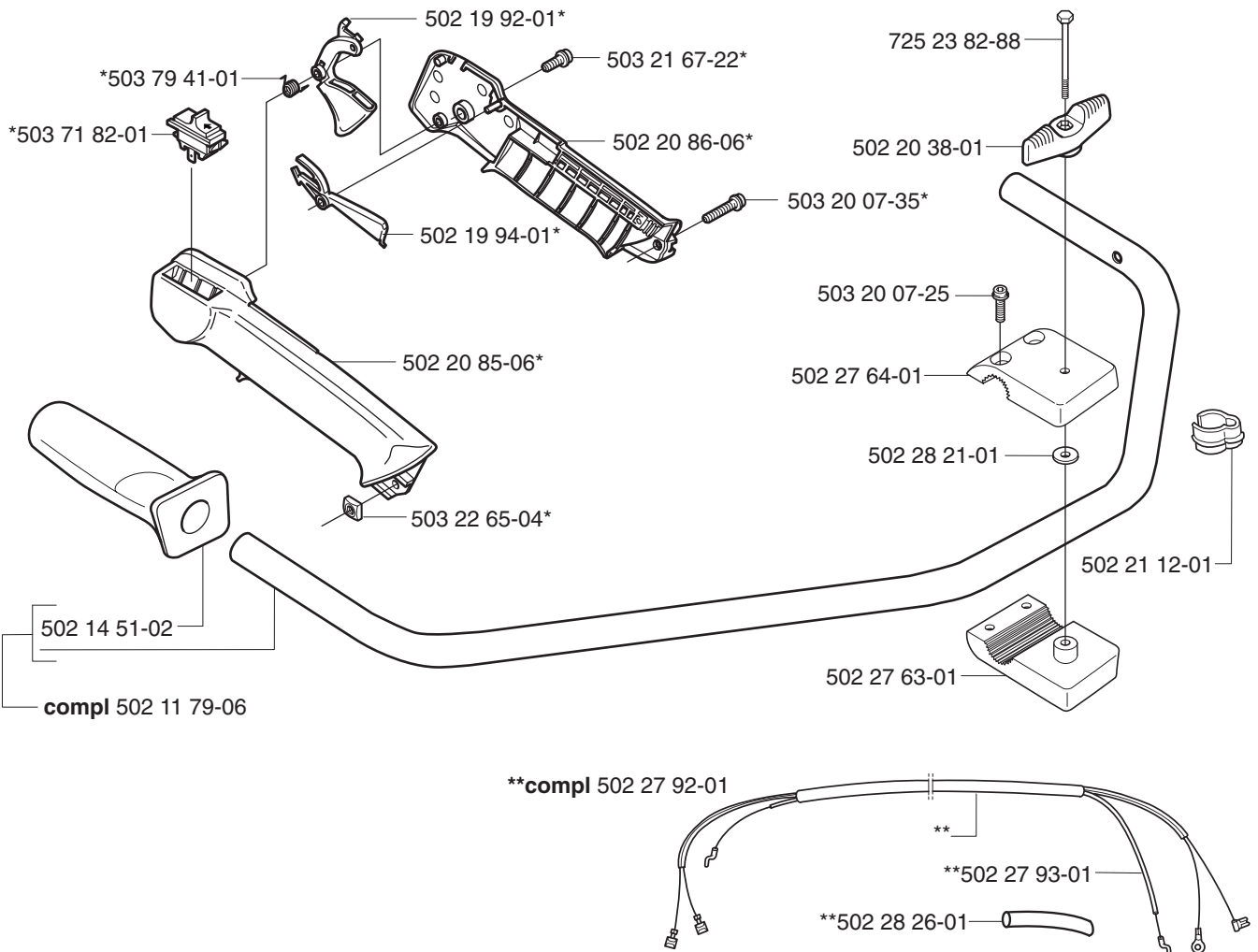
N *compl 502 28 37-05

245 RX



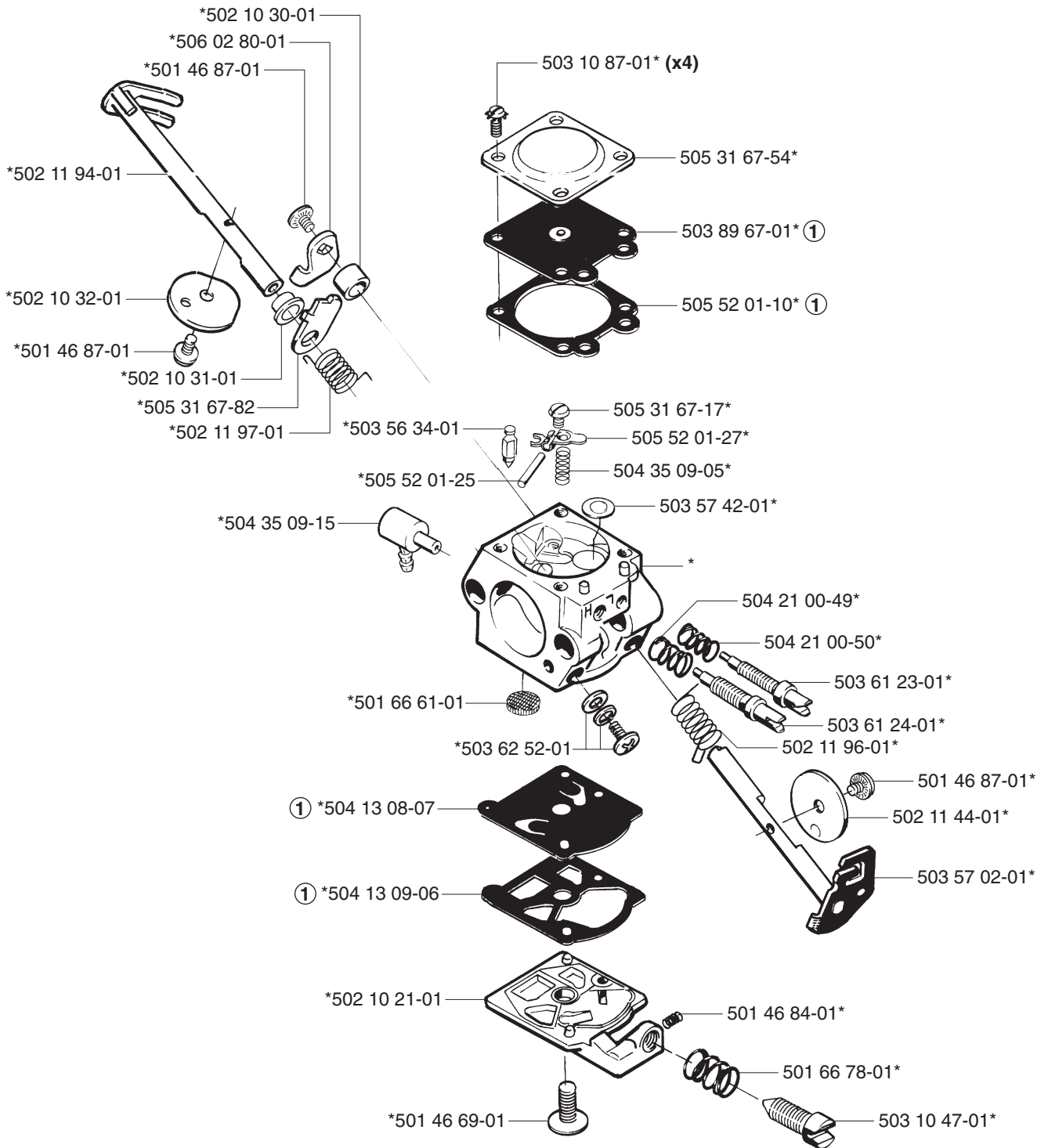
P *compl 502 28 06-11

240R, 245R

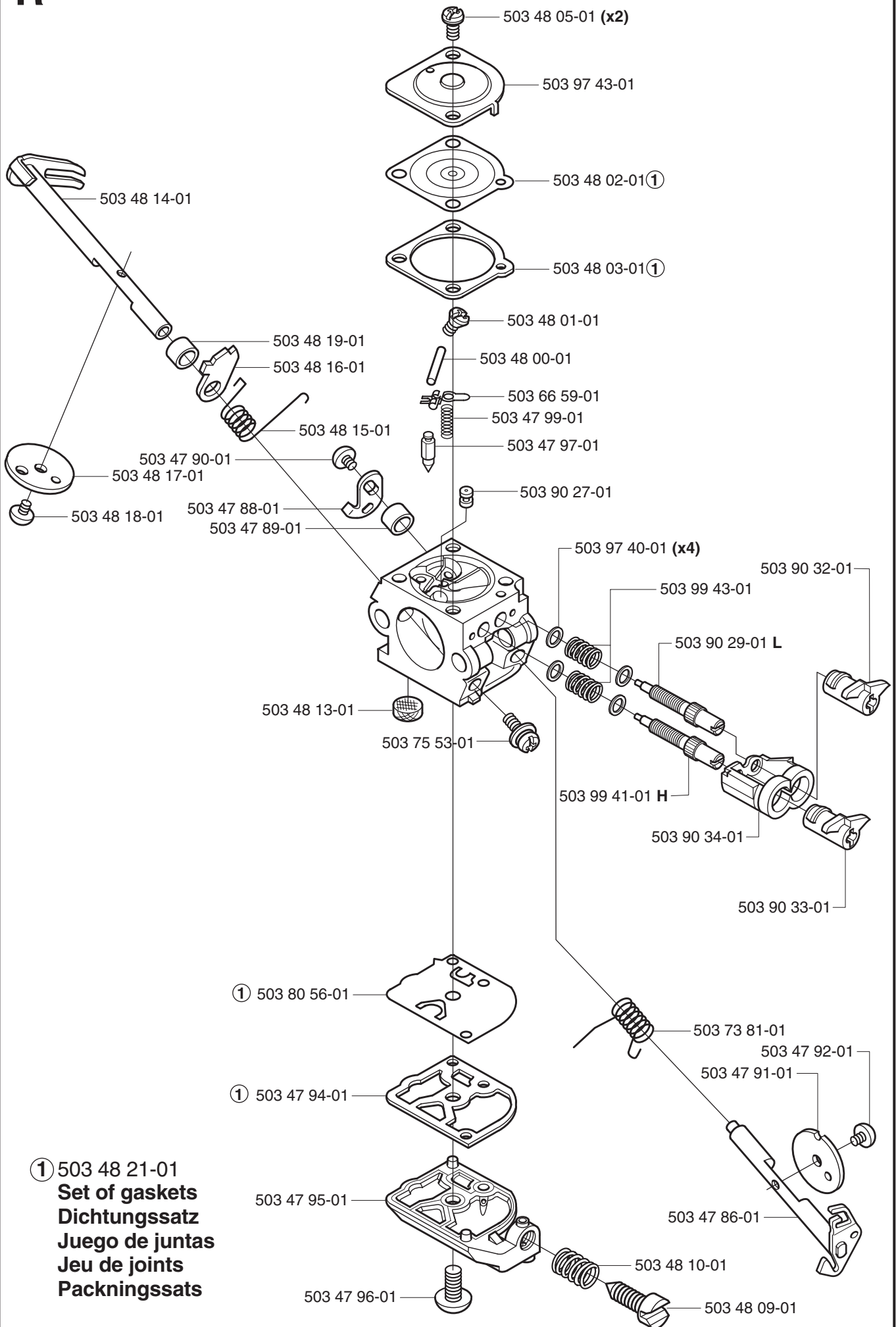


Q

* compl 503 28 13-20

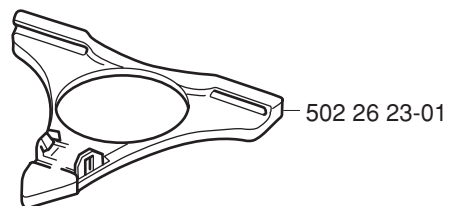
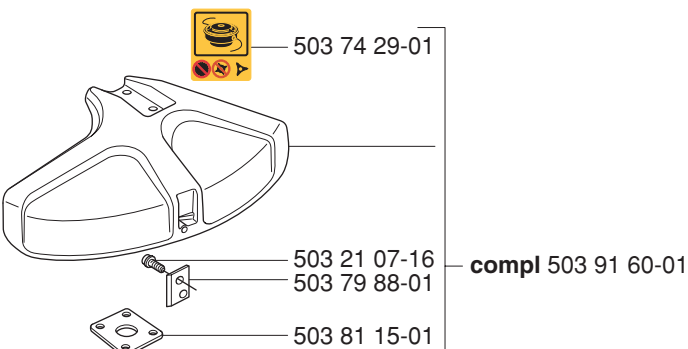
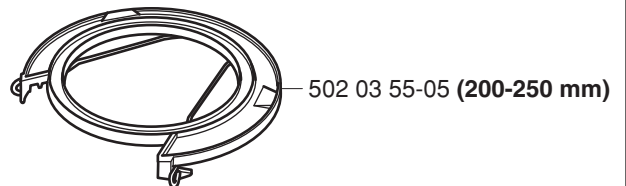
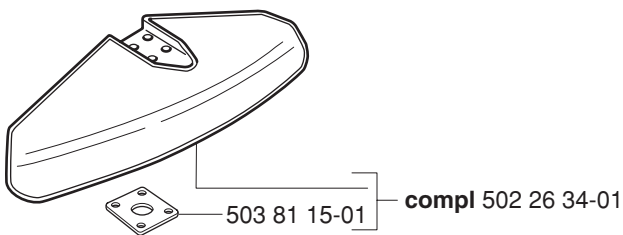
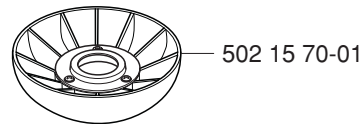
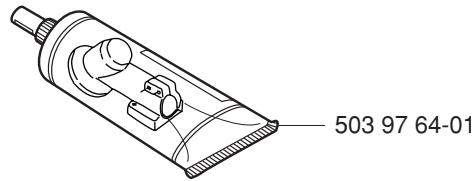
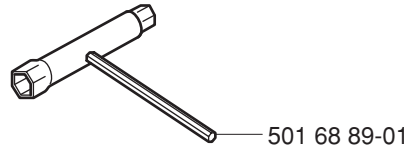
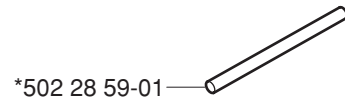
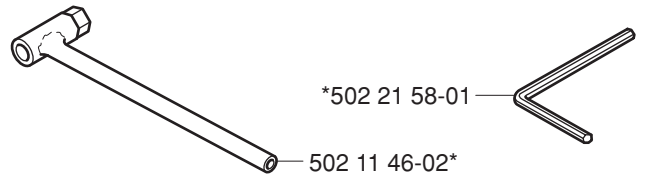
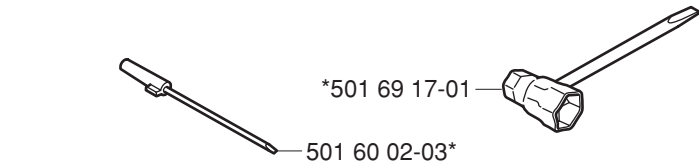
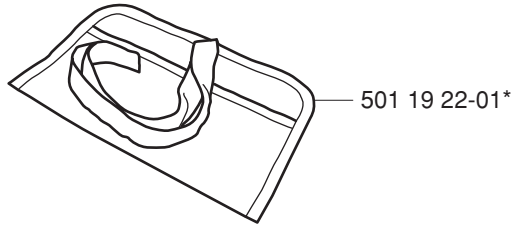
Walbro WT 99

① 502 10 35-01
Set of gaskets
Dichtungssatz
Juego de juntas
Jeu de joints
Packningssats



S Accessories
Zubehöre
Accessoires
Accessorios
Tillbehör

*compl 502 27 33-03



T

240R, 245R

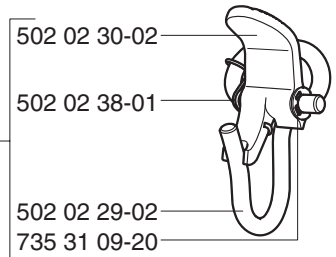
***compl 502 02 00-02**

***compl 502 02 00-03 US**

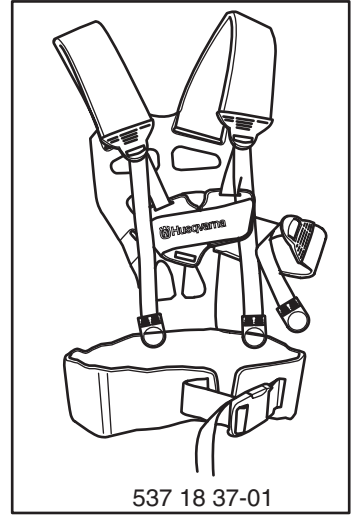
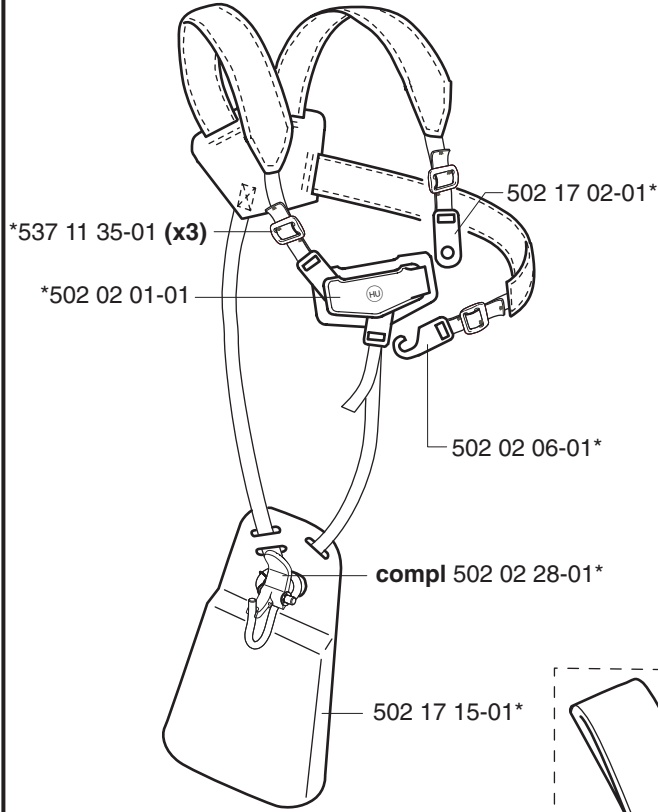
240R

245R

245RX



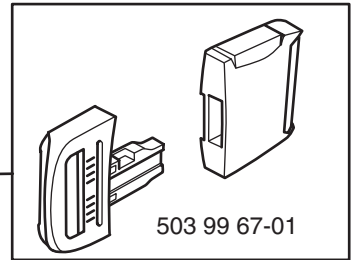
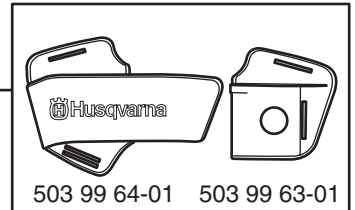
compl 502 02 28-01



245RX

compl 531 00 92-08

compl 531 00 92-09 US

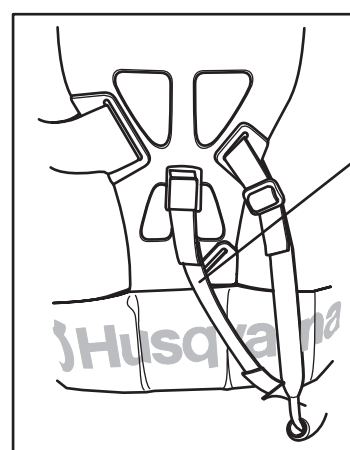
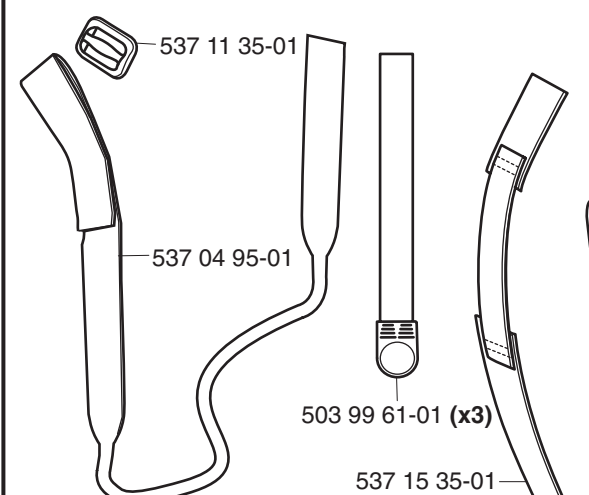
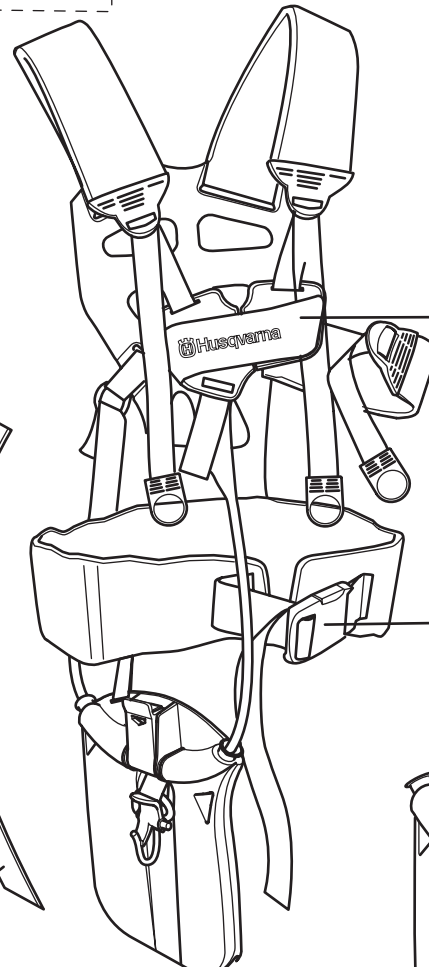


501 60 82-01



537 17 53-01

501 60 82-01



240, 245, 240 EPA, 245 EPA,

PART NUMBER	SQUARE NOTE	PART NUMBER	SQUARE NOTE	PART NUMBER	SQUARE NOTE	PART NUMBER	SQUARE NOTE
501 19 22-01	S	502 15 70-01	S	503 20 07-35	BNP N	503 75 53-01	R
501 27 82-01	C	502 16 00-01	C	503 20 07-45	B N	503 78 32-01	L
501 45 16-01	FG	502 17 02-01	T	503 20 09-20	E	503 79 00-02	L
501 46 69-01	Q	502 17 15-01	T	503 20 25-12	D	503 79 41-01	P
501 46 84-01	Q	502 17 50-05	N	503 20 25-20	L	503 79 88-01	S
501 46 87-01	Q	502 19 71-01	B	503 21 07-16	S	503 80 56-01	R
501 48 54-02	L	502 19 92-01	P	503 21 07-50	K	503 81 15-01	S N
501 60 02-03	S	502 19 94-01	P	503 21 49-32	C N	503 82 80-05	C
501 60 82-01	T N	502 20 21-01	D	503 21 67-22	NP N	503 84 50-01	L
501 66 61-01	Q	502 20 38-01	P	503 21 77-16	M	503 89 67-01	Q
501 66 78-01	Q	502 20 41-01	M	503 21 82-04	D	503 90 12-01	L
501 68 89-01	S	502 20 42-01	M	503 22 10-11	L	503 90 18-01	R
501 69 17-01	S	502 20 43-01	M	503 22 10-12	B	503 90 27-01	S
501 76 31-01	M	502 20 68-01	C	503 22 23-02	D N	503 90 29-01	R
501 76 83-23	K	502 20 85-06	P	503 22 65-04	NP N	503 90 32-01	R
501 77 00-02	K	502 20 86-06	P	503 23 00-11	KN N	503 90 33-01	R
501 81 99-03	L	502 21 12-01	P	503 23 00-42	L	503 90 34-01	R
502 02 00-02	T	502 21 26-25	E	503 23 00-62	B	503 91 60-01	S
502 02 00-03	T	502 21 26-26	E	503 23 01-01	L	503 97 40-01	R
502 02 01-01	T	502 21 26-27	E	503 23 51-08	L	503 97 43-01	R
502 02 06-01	T	502 21 58-01	S	503 23 51-11	L	503 97 64-01	S
502 02 28-01	T	502 22 15-01	B	503 28 13-20	KQ	503 99 41-01	R
502 02 28-03	T N	502 22 16-01	B	503 28 31-09	KR	503 99 43-01	R
502 02 29-02	T	502 22 23-01	A	503 28 90-03	F	503 99 59-01	T N
502 02 30-02	T	502 22 26-01	A	503 28 90-05	F	503 99 61-01	T N
502 02 38-01	T	502 22 38-01	N	503 44 08-02	F	503 99 63-01	T N
502 03 10-03	A	502 22 53-01	B	503 44 10-01	F	503 99 64-01	T N
502 03 55-05	S	502 22 67-01	A	503 44 32-01	K	503 99 67-01	T N
502 03 94-03	S	502 22 68-01	A	503 47 86-01	R	503 99 75-01	B
502 04 55-01	A	502 23 02-01	G	503 47 88-01	R	503 99 76-01	B
502 06 28-01	N	502 26 23-01	S	503 47 89-01	R	504 13 08-07	Q
502 10 21-01	Q	502 26 34-01	S	503 47 90-01	R	504 13 09-06	Q
502 10 30-01	Q	502 26 89-01	A	503 47 91-01	R	504 18 44-01	H
502 10 31-01	Q	502 26 93-01	A	503 47 92-01	R	504 21 00-16	H
502 10 32-01	Q	502 26 95-01	A	503 47 94-01	R	504 21 00-49	Q
502 10 35-01	Q	502 27 22-01	S	503 47 95-01	R	504 21 00-50	Q
502 11 06-02	M	502 27 25-01	A	503 47 96-01	R	504 35 09-05	Q
502 11 07-03	J	502 27 28-01	A	503 47 97-01	R	504 35 09-15	Q
502 11 20-02	K	502 27 33-03	S	503 47 99-01	R	505 27 57-19	G
502 11 22-03	D	502 27 63-01	P	503 48 00-01	R	505 27 75-16	L
502 11 23-01	D	502 27 64-01	P	503 48 01-01	R	505 30 51-25	M
502 11 24-02	D	502 27 92-01	P	503 48 02-01	R	505 31 07-51	K
502 11 25-02	D	502 27 92-03	N	503 48 03-01	R	505 31 67-17	Q
502 11 38-01	C	502 27 93-01	P	503 48 05-01	R	505 31 67-54	Q
502 11 39-02	K	502 28 06-11	P	503 48 09-01	R	505 31 67-82	Q
502 11 44-01	Q	502 28 21-01	P	503 48 10-01	R	505 52 01-10	Q
502 11 45-01	E	502 28 24-01	C	503 48 13-01	R	505 52 01-25	Q
502 11 45-02	E	502 28 26-01	P	503 48 14-01	R	505 52 01-27	Q
502 11 46-02	S	502 28 33-03	N	503 48 15-01	R	506 01 06-07	F
502 11 51-04	C	502 28 34-02	N	503 48 16-01	R	506 01 32-02	K
502 11 52-01	H	502 28 35-02	N	503 48 17-01	R	506 01 64-01	M
502 11 53-02	M	502 28 36-03	N	503 48 18-01	R	506 02 80-01	Q
502 11 57-03	K	502 28 37-05	N	503 48 19-01	R	531 00 60-76	S
502 11 58-01	K	502 28 44-01	N	503 48 21-01	R	531 00 92-08	T N
502 11 59-02	A N	502 28 55-01	A	503 48 90-01	F	531 00 92-09	T N
502 11 77-01	H	502 28 56-01	A	503 54 39-01	M	537 00 76-01	B
502 11 79-06	P	502 28 57-02	A	503 56 34-01	Q	537 01 40-01	A
502 11 93-01	K N	502 28 59-01	S	503 57 02-01	Q	537 01 40-02	A
502 11 94-01	Q	502 28 60-08	N	503 57 38-06	G	537 02 76-02	A
502 11 96-01	Q	502 28 62-01	A	503 57 42-01	Q	537 04 92-01	T N
502 11 97-01	Q	503 10 47-01	Q	503 57 89-01	C	537 04 93-01	T N
502 12 02-03	A	503 10 87-01	Q	503 61 23-01	Q	537 04 94-01	T N
502 12 02-05	A	503 17 31-02	H	503 61 24-01	Q	537 04 95-01	T N
502 12 23-08	E	503 20 02-16	K	503 62 52-01	Q	537 06 71-01	N
502 12 56-02	D	503 20 03-16	A N	503 66 59-01	R	537 06 72-01	N
502 14 43-05	N	503 20 04-35	J	503 71 02-03	L	537 11 35-01	T
502 14 44-01	N	503 20 07-16	AM N	503 71 82-01	P	537 15 35-01	T N
502 14 47-01	N	503 20 07-20	H N	503 73 45-01	B	537 17 12-01	T
502 14 50-04	N	503 20 07-25	HP N	503 73 81-01	R	537 17 53-01	T N
502 14 51-02	NP	503 20 07-30	A N	503 74 29-01	S	537 17 54-01	T N

N = New part
 Neues teil
 Nouvelle piece
 Nueva pieza
 Ny detalj

240, 245, 240 EPA, 245 EPA,

PART NUMBER	SQUARE	NOTE	PART NUMBER	SQUARE	NOTE	PART NUMBER	SQUARE	NOTE	PART NUMBER	SQUARE	NOTE
537 17 54-01	T	N									
537 18 37-01	T	N									
720 12 12-20	N										
725 23 82-88	P	N									
729 52 52-75	N										
735 31 09-20	T										
735 31 17-00	A										
737 44 10-00	F										
738 21 02-00	A										
738 21 02-04	A										
738 22 02-25	G	N									
738 22 03-25	A										
740 42 21-00	A										
740 42 24-00	A										
740 44 08-00	A										
740 51 13-01	A	N									

N = New part
 Neues teil
 Nouvelle piece
 Nueva pieza
 Ny detalj

Free Manuals Download Website

<http://myh66.com>

<http://usermanuals.us>

<http://www.somanuals.com>

<http://www.4manuals.cc>

<http://www.manual-lib.com>

<http://www.404manual.com>

<http://www.luxmanual.com>

<http://aubethermostatmanual.com>

Golf course search by state

<http://golfingnear.com>

Email search by domain

<http://emailbydomain.com>

Auto manuals search

<http://auto.somanuals.com>

TV manuals search

<http://tv.somanuals.com>