

READ BEFORE USE

使用前阅读

Visit www.hamiltonbeach.cn for our complete line of products and Use and Care Guides – as well as delicious recipes, tips, and to register your product online!



有关我们所有系列产品的，使用与维护指南 – 以及美味食谱、生活小贴士和产品在线注册的更多信息，请访问 www.hamiltonbeach.cn。

Questions?
Please call us – our friendly associates are ready to help.
China: 400-852-2655

如有疑问？
请致电我们，我们的团队随时准备为您提供帮助。
中国大陆客服热线：
400-852-2655
官方网站：www.hamiltonbeach.cn
型号：49996S-CN

此说明书中图片仅供参考，
产品以实物为准。

使用产品前请仔细阅读本使用说明书，
并妥善保管。

Hamilton 汉美驰 Beach®



FlexBrew
Single-Serve Coffeemaker
美式胶囊咖啡机

English 2
简体中文 14

IMPORTANT SAFEGUARDS

When using electrical appliances, basic safety precautions should always be followed to reduce the risk of fire, electric shock, and/or injury to persons, including the following:

1. Read all instructions.
2. This appliance is not intended for use by persons (including children) with reduced physical, sensory, or mental capabilities, or lack of experience and knowledge, unless they are closely supervised and instructed concerning use of the appliance by a person responsible for their safety.
3. Close supervision is necessary when any appliance is used by or near children. Children should be supervised to ensure that they do not play with the appliance.
4. Do not touch hot surfaces. Use handles or knobs. Care must be taken, as burns can occur from touching hot parts or from spilled, hot liquid.
5. To protect against electric shock, do not place cord, plug, or coffeemaker in water or other liquid.
6. Unplug from outlet when the coffeemaker is not in use and before cleaning. Allow to cool before putting on or taking off parts and before cleaning the appliance.
7. Coffeemaker must be operated on a flat surface away from the edge of counter to prevent accidental tipping.
8. Do not operate any appliance with a damaged cord or plug, or after the appliance malfunctions or has been damaged in any manner. Call our customer service number for information on examination, repair, or adjustment. If the supply cord is damaged, it must be replaced by the manufacturer, its service agent or similarly qualified persons in order to avoid a hazard.
9. The use of accessory attachments not recommended by the appliance manufacturer may cause injuries.
10. Do not use outdoors.
11. Do not let cord hang over edge of table or counter or touch hot surfaces, including stove.
12. Do not place on or near a hot gas or electric burner, or in a heated oven.
13. Do not use appliance for other than intended use.
14. **WARNING:** To reduce the risk of fire or electric shock, do not remove the bottom cover of the coffeemaker. There are no user-serviceable parts inside. Repair should be done by authorized service personnel only.
15. **CAUTION!** Cut Hazard: Removable single-serve pack holder contains a sharp blade. Use caution when handling.
16. **CAUTION!** Cut Hazard: Piercing nozzle is sharp. Use caution when cleaning.
17. **CAUTION:** In order to avoid a hazard due to inadvertent resetting of the thermal cut-out, this appliance must not be supplied through an external switching device, such as a timer, or connected to a circuit that is regularly switched on and off by the utility.

SAVE THESE INSTRUCTIONS!

Other Consumer Safety Information

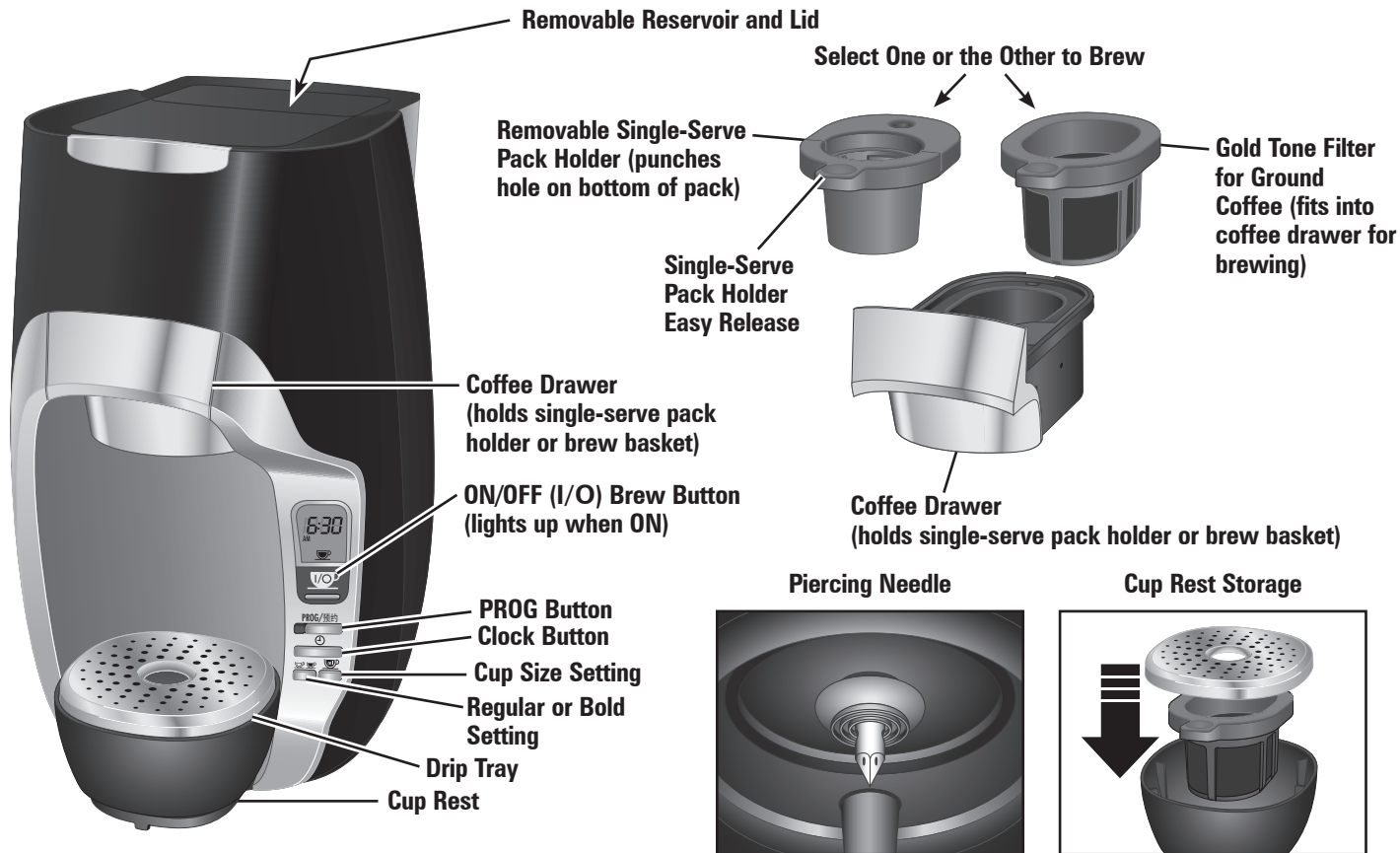
This appliance is intended for household use only.

The length of the cord used on this appliance was selected to reduce the hazards of becoming tangled in or tripping over a longer cord. If a longer cord is necessary, an approved extension cord may be used. The electrical rating of the extension cord must be equal to or greater














than the rating of the appliance. Care must be taken to arrange the extension cord so that it will not drape over the countertop or tabletop where it can be pulled on by children or accidentally tripped over.

To avoid an electrical circuit overload, do not use another high-wattage appliance on the same circuit with this appliance.

Parts and Features



Display Icons

	Regular strength coffee
	BOLD strength coffee
	Add cold water to the reservoir
	Piercing needle is clogged with coffee grounds. Follow "How To Clean the Piercing Needle" directions on page 10.
	Start (ON/OFF)
	Clock
	Select cup size     = 8oz (240ml)  = 14oz (420ml)  = 10oz (300ml)

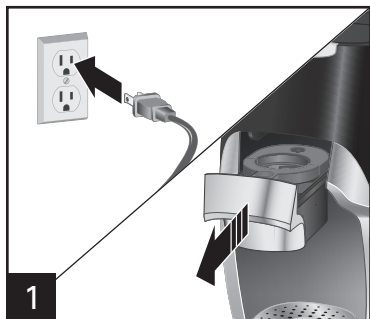
NOTES:

- Always place either the single-serve pack holder or grounds brew basket in drawer with every brew.
- This unit will automatically brew on the same settings as the last brew. Always check display and change settings when necessary.
- Use only FRESH COLD water in the water reservoir.
- Never reheat coffee with this product.
- Place appropriate size cup or travel mug on the cup rest.
- For travel mugs, the drip tray can be removed and the travel mug can be placed directly on the cup rest.
- Always add a new single-serve pack or grounds before brewing.
- Ensure coffee drawer and mug are in place, to avoid hot water flow onto the table.
- If power off during brewing. Follow "How to Purge" direction on page 10. To empty the boiler tank water into cup and replace fresh water to brew new cycle.

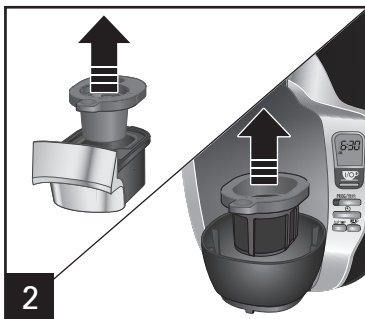
How to Brew Coffee Grounds

(Regular Drip Grind or Black Instant Coffee)

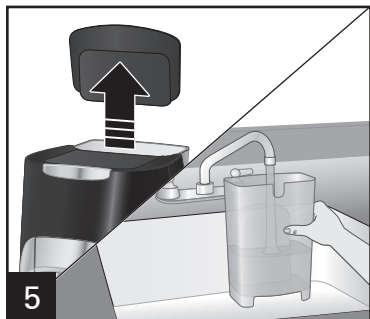
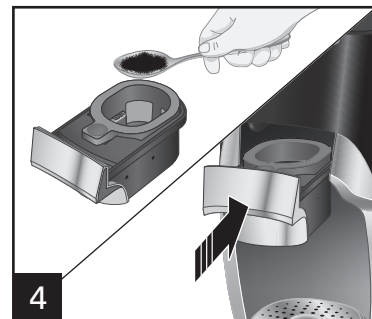
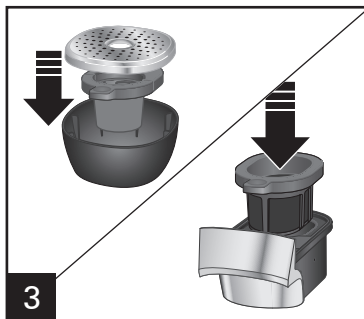
CAUTION Cut Hazard.
Removable single-serve pack holder has a sharp blade. Use caution when handling.



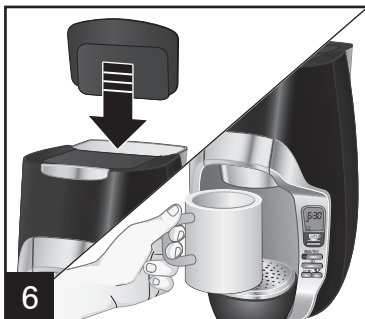
1 Plug in unit. Remove the coffee drawer.







2 Remove single-serve pack holder and retrieve the Gold Tone Filter from cup rest storage. Place the single-serve pack into the cup rest for storage. Insert the brew basket into the coffee drawer. Add medium grind drip or instant BLACK coffee. Do not fill above MAX Fill Line. Slide the coffee drawer back into the coffeemaker and push it in until it is flush with the front surface.



5 Add water to the reservoir.



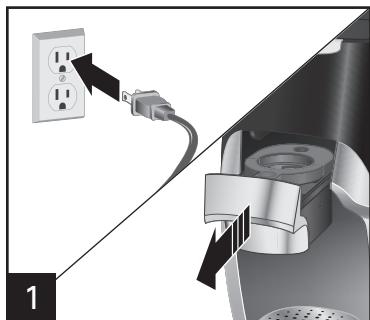
6 Press  to select cup size and press  or  to select regular or bold strength. **NOTE:** Bold setting  should be used for single-serve packs and ground coffee for a more robust flavor. Press  to brew your coffee. Button will illuminate and  will turn off when brew cycle is complete. Rinse coffee drawer. Then put drawer back into coffeemaker.



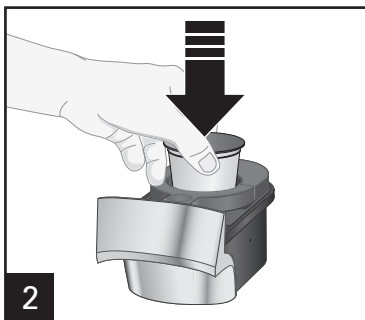
Tip: You can also make hot water for tea or any instant porridge, food or drink. Do not add ground coffee to gold tone filter but instead add tea or instant food to your cup.

How to Brew a Single-Serve Pack

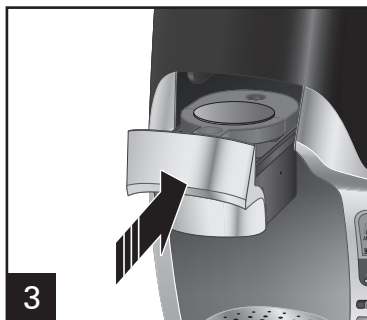
CAUTION Cut Hazard.
Removable single-serve pack holder has a sharp blade. Use caution when handling.



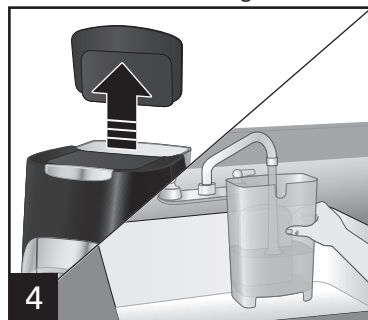
1 Plug in unit. Remove the coffee drawer.



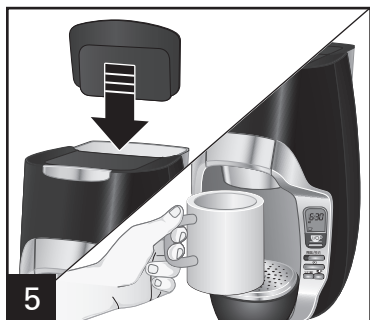
2 Add single-serve pack to single-serve pack (compatible with K-Cup pack such as UCC or Starbucks*) holder. Press down until flush with top surface.







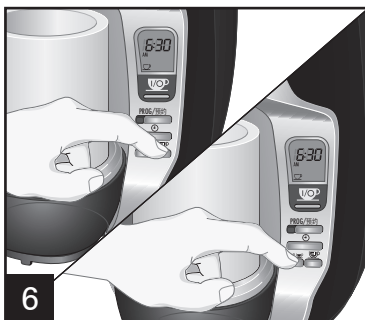
3 Put the coffee drawer back into the coffeemaker and push it in until it is flush with the front surface.





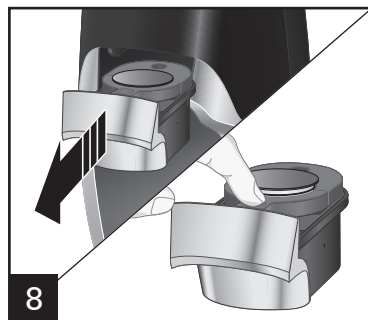
4 Add water to the reservoir.



5 Press  to select cup size and press  or  to select regular or bold strength. **NOTE:** Bold setting  should be used for single-serve packs and ground coffee for a more robust flavor.



7 Press  (ON/OFF) to brew your coffee. Button will illuminate and  light will turn off when brew cycle is complete. After coffee is brewed, remove the coffee drawer and press the easy-release button to remove the single-serve pack. Rinse coffee drawer. Then put drawer back into coffeemaker.



* K-CUP is a registered trademark of Keurig Green Mountain, Inc.
Use of the K-CUP trademark does not imply any affiliation with or endorsement by Keurig Green Mountain, Inc.

Single-Serve Pack Compatibility

Hamilton Beach FlexBrew IS COMPATABLE with any K-Cup® * pack

Some of these brands include UCC® ** and Starbucks® ***



Hamilton Beach FlexBrew IS NOT COMPATABLE with Nescafé® Dulce Gusto® **** or Nespresso® **** single-serve packs.



*K-CUP® is a registered trademark of Keurig Green Mountain, Inc.

Use of the K-CUP® trademark does not imply any affiliation with or endorsement by Keurig Green Mountain, Inc.

**UCC® is a registered trademark of UCC Ueshima Coffee Co., Ltd.

Use of the UCC® trademark does not imply any affiliation with or endorsement by UCC Ueshima Coffee Co., Ltd

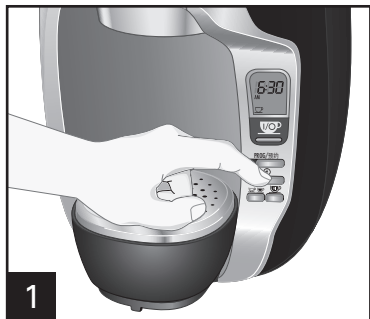
***Starbucks® is a registered trademark of Starbucks Corporation

Use of the Starbucks® trademark does not imply any affiliation with or endorsement by Starbucks Corporation

**** Nescafé® Dulce Gusto® and Nespresso® are registered trademarks Nestlé S.A.

Use of the Nescafé® Dulce Gusto® and Nespresso® trademarks does not imply any affiliation with or endorsement by Nestlé S.A.

How to Set the Time for the First Time



1 Press and release  button.




2 "12" will flash.




3 Press  button to adjust by 1-hour increments.






4 To adjust hours faster, press and hold  button. Release button and wait 3 seconds for the minutes to begin flashing, indicating minutes can now be set.



5 Minutes will flash for only 3 seconds and then stop flashing if the clock button is not pressed or held within that time. Press  button to adjust by 1-minute increments.



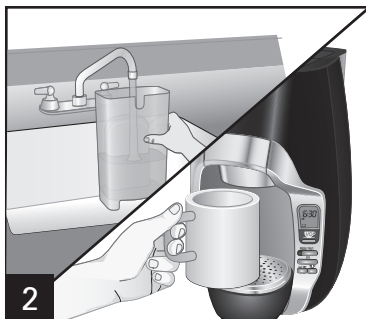
6 To adjust minutes faster, press and hold  button. Release button and wait 3 seconds for the clock to stop flashing and the time will be set.

NOTE: If you press the  button before setting the clock, the clock display will disappear for your convenience. At any time, the clock can be set by pressing the  button.

How to Program for "Wake Up" Coffee (After the Time has Been Set)



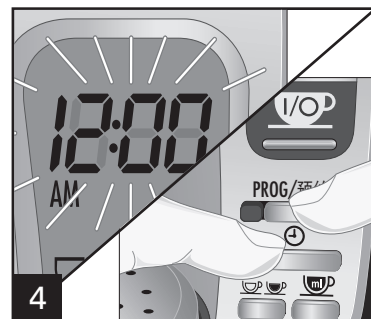
1 Select regular or bold and your cup size.



2 Ensure water in tank. Add coffee (ground or single serve pack) and put cup in place.



3 For the first time you program, press and hold PROG button for 3 seconds until "19:99" flashes on display.



4 Continue to hold the PROG button and also press the "Timer" button. "12:00" will flash on display. Set time according to "How to Set the Time for the First Time" on Page 7.



5 Press and release PROG button again to set auto start.



The blue light on the side of the PROG button will illuminate to indicate the unit will automatically start at your desired time. After the program autostart time has been set, the autostart sequence can be toggled on/off by pressing the PROG button for less than 1 second. To review the autostart time, press the PROG button and hold for 3 seconds. After the initial program setting, time will default to the last programmed autostart time set. Once in PROG mode, cup size and brew strength cannot be changed until PROG mode has been turned off by pressing the PROG button.

How to Purge

NOTE: If you want to stop the brew cycle at any time and switch to a smaller cup size, purge water from the unit.

Purge function allows you to empty the boiler tank into a cup and replace it with fresh water. This is recommended when it has been more than a week without any use.

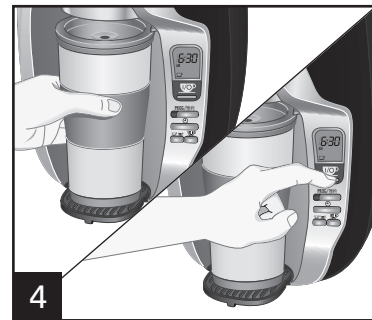
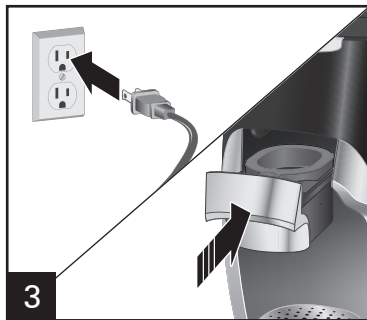
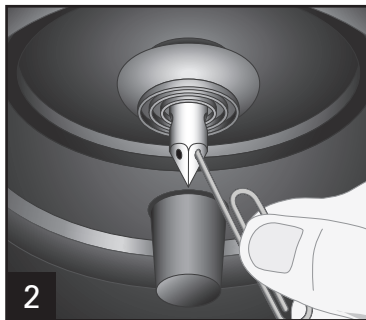
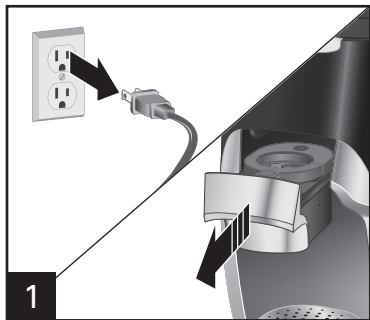


1 Place mug on cup rest. Press **VOP** (ON/OFF) button 3 seconds.



When the coffeemaker is purging, the **VOP** button will illuminate and will turn off when the cycle is complete.

How to Clean the Piercing Needle



If Needle is Clogged: The needle is located above the coffee drawer inside the unit. Remove coffee drawer. Bend a small paper clip as shown; insert the tip of the paper clip through the hole/eye of the needle to ensure grounds have been removed. Replace coffee drawer and place a large travel mug on cup rest. Brew 2 or 3 times with cold water.

Care and Cleaning

⚠ WARNING Shock Hazard.

Do not immerse cord, plug, or coffeemaker in any liquid.

All coffeemakers should be cleaned at least once a month (once a week for areas with hard water).



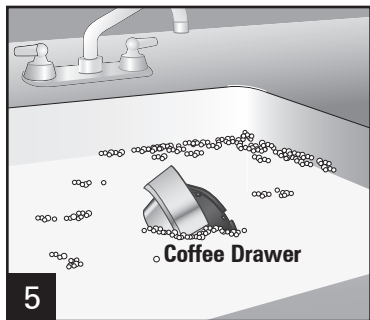
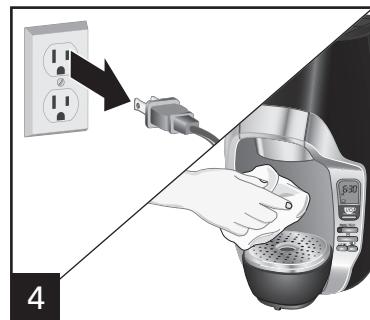
Pour 1 cup (237 ml) plain white vinegar and 1 cup (237 ml) fresh, cold water into empty reservoir.



Place a 14-oz. (414-ml) mug underneath to catch the water/vinegar solution.



Press **VOP** button. After 60–90 seconds, press **VOP** button to stop the brew cycle. Allow the vinegar solution to steep for 30 minutes to loosen built-up minerals. Press **VOP** button to finish the brew cycle. Empty remaining vinegar solution from reservoir, add fresh, cold water, and brew several cycles to empty the water reservoir, which will clean the system.



Wash in warm, soapy water. Rinse and dry.



DO NOT use the "SANI" setting when washing in the dishwasher. "SANI" cycle temperatures could damage your product.

Troubleshooting

PROBLEM

PROBABLE CAUSE/SOLUTION

Coffee tastes bad.

- Coffeemaker needs cleaning.
- Coffee ground too coarse or too fine. Select medium automatic drip grind.
- Poor coffee quality and freshness.
- Poor water quality (use filtered or bottled water).

Coffee overflows from brew basket.

- Use Gold Tone holder for ground coffee. 3 tablespoons (44 ml) is the maximum amount of grounds to brew.
- Use a lesser amount of ground coffee.
- When using whole bean coffee, a medium automatic drip coffee grind will yield best results. Be careful not to overgrind, since very finely ground coffee can cause overflow in this unit.

Coffee overflows from mug or travel mug.

- To prevent coffee overflowing from a mug/travel mug, choose the correct cup size.

FIL H2O on display.

- Water reservoir is not in place. No water in the water reservoir. Fill water reservoir to MAX fill line and start the brewing process.


Coffeemaker will not brew.

- The piercing needle may be clogged. Clean piercing needle as shown on page 9.

NEEDLE on display.

- Follow "How to Clean the Piercing Needle" directions on page 9.

No clock display.

- Started brew cycle without first setting clock. Press  button to display and set the clock.

Troubleshooting (cont.)


PROBLEM

Coffee not dispensing.

Failed foil seal.

PURGE on display.

PROBABLE CAUSE/SOLUTION

- Piercing needle is clogged with coffee grounds. Turn unit off; unplug. Allow unit to cool completely. To remove any built-up coffee grounds, insert end of bent paper clip into eye and up into piercing needle.
- There is variability in the single-serve pack manufacturing process which causes some types of single-serve packs to be weaker at the seams. Brew using a different brand of single-serve packs.
- Place travel mug on cup rest. Press  (ON/OFF) button 3 seconds.

重要安全说明

当使用电器时，应始终遵守基本的安全防范措施，以减少火灾、触电和/或人身伤害的风险，包括以下内容：

1. 阅读所有相关说明。
2. 本电器不适合以下人群（包括儿童）使用：行动不便者、精神或智商缺陷者、缺少经验和常识者，除非他们在监督和指导下使用，以确保安全。
3. 当电器由儿童使用或距离儿童较近时，需有成人看护。请勿将本电器用于儿童玩耍。
4. 请勿接触设备热表面。应使用手柄或旋钮。触摸烫热部件或溢出的热液体会导致灼伤，所以必须小心。
5. 为防止触电，请勿将电源线、插头或咖啡机放入水或其他液体中。
6. 咖啡机不使用时与清洁前，请从插座拔下电源。安装或拆解部件和清洁装置前，请先将其冷却。
7. 咖啡机必须在远离柜台边缘的平面上操作，以防意外倾翻。
8. 在下列情况下，请勿使用电器：电源线或插头破损、电器出现故障、电器曾跌落或已经出现任何形式的损坏。请拨打我们的售后服务电话，咨询有关电器检查、修理或调整的相关信息。如果电源软线损坏，为了避免危险，必须由制造商、其维修部或类似部门的专业人员更换。
9. 使用非本电器制造商推荐的配套附件可能会导致受伤。
10. 请勿户外使用。
11. 请勿将电源线搭置在桌台边缘上或与发热表面接触，包括炉子。
12. 请勿靠近或放置在燃气或电炉上，或放进加热烤箱内。
13. 请勿将电器用于非预期用途。
14. **警告：**为减少火灾或触电危险，请勿取下咖啡机的底盖。内部无用户可使用的部件。应仅可由授权的维修人员进行修理。
15. **小心！**割伤危险：咖啡胶囊支架内含有锋利刀片。操作时应小心。
16. **小心！**割伤危险：穿孔针非常锋利。清洁时应小心。
17. **小心！**为了避免由于热熔断路器意外重置导致危险，本电器不能在外接定时器或独立的遥控控制系统的方式下运行。

请妥善保管说明书！

其他用户安全信息

此电器建议于家庭使用。

此电器电源线的长度设计考虑减少长电源线缠绕或绊倒的危险。倘若需要更长的电源线，可使用有认证的电源延长线。电源延长线的额定功率必须等于或大于此电器的额定功率。电源

延长线使用时需特别注意，以防将其搭设在工作台或桌面上，造成儿童扯拉或绊倒他人。为防电路过载，请勿在此电器的同一电路上使用其他高功率电器。

部件和功能

可移动水箱和盖子

美式咖啡胶囊支架
(胶囊壳底部自动穿孔)

美式咖啡
胶囊释放杆

选择其中之一来冲泡

不锈钢过滤网
咖啡篮 (直接装
入咖啡冲泡漏
斗中冲泡)

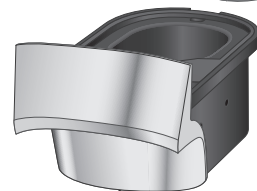
咖啡冲泡漏斗 (配合美式
咖啡胶囊支架或咖啡篮
使用)

开/关(I/O)冲泡按钮
(冲泡时灯常亮)

预约按钮
时钟按钮
咖啡杯规格设置
“普通”或
“加浓”设置

接水盘

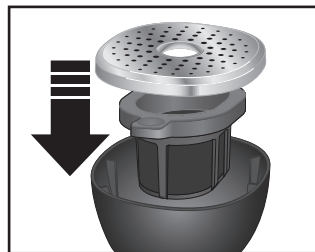
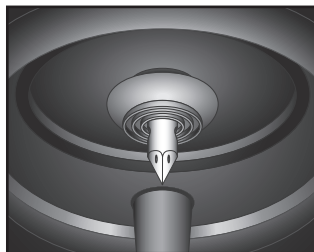
杯架



咖啡冲泡漏斗(配合美式咖啡
胶囊支架或咖啡篮使用)

穿孔/冲泡针

胶囊支架/咖啡篮可存放在接水盘中



显示图标

	普通咖啡
	加浓咖啡
	缺水提示, 请往水箱添加水
	穿孔/冲泡针被咖啡粉堵塞。按照第22页“如何清洁穿孔/冲泡针”的说明进行操作
	开/关 (I/O) 冲泡按钮
	时钟
	选择咖啡杯规格      

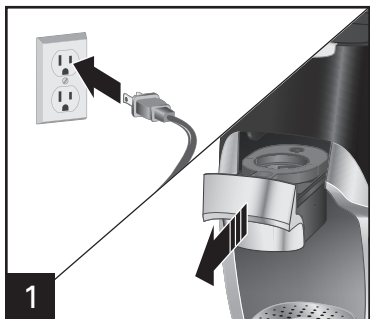
注意:

- 每次冲泡时, 务必将咖啡胶囊支架或咖啡篮放到冲泡漏斗中。
- 本机自动按照上次的冲泡设置进行冲泡。 务必每次冲泡前检查显示屏的内容, 如有需要可以更改设置。
- 水箱仅可以使用新鲜的冷水。
- 请勿使用本机重新加热咖啡。
- 在杯架上放置合适规格的咖啡杯或随行杯。
- 使用随行杯时, 可以取走接水盘盖并且直接放置在杯架上。
- 每次冲泡务必使用新的咖啡胶囊或咖啡粉。
- 每次冲泡前, 务必确保冲泡漏斗和咖啡杯/随行杯放置到位, 避免热水/热咖啡流到桌面上。
- 正常使用时意外断电, 请按照第22页的“如何净化”的说明进行操作, 排空咖啡机内小锅炉中的水后, 重新冲泡。

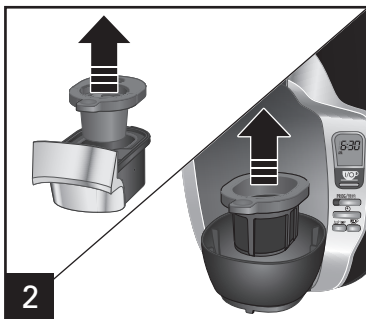
如何冲泡咖啡粉

(一般研磨咖啡或加浓速溶咖啡)

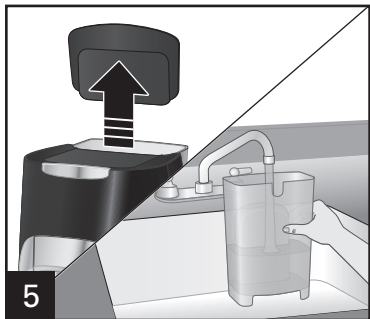
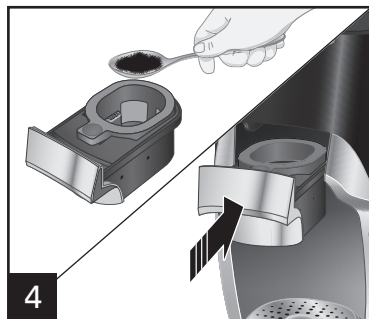
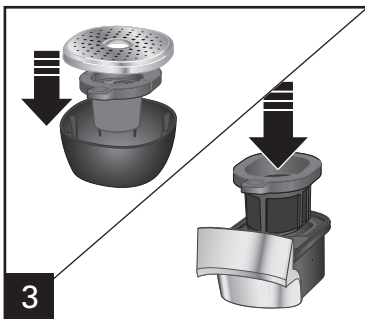
⚠️ 小心 割伤危险。
美式咖啡胶囊支架内含有锋利的刀片。小心操作。



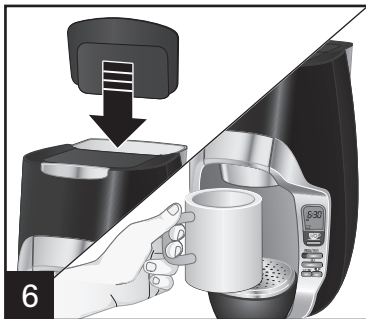
1 插上插头接通电源。取下冲泡漏斗。









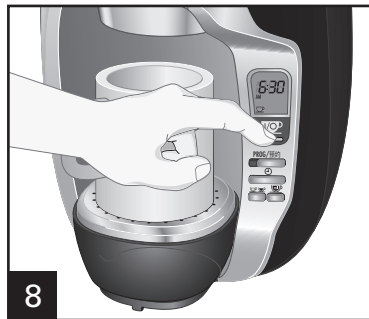
2 取下美式咖啡胶囊支架，从接水盘中取出咖啡篮，把胶囊支架放入接水盘中。把咖啡篮放置到冲泡漏斗中。添加中度研磨咖啡粉或速溶咖啡。请勿添加超过最大刻度线。把冲泡漏斗推入咖啡机中，直到与前大身齐平。



5 水箱添加水。



6 按  以选择咖啡杯规格，按  或  选择冲泡普通咖啡或加浓咖啡。**注意：**为了冲泡出较强的烘焙味的咖啡，应选择加浓设置  冲泡咖啡胶囊和咖啡粉。按  (开/关) 冲泡咖啡按钮灯将常亮。当冲泡完成时， 按钮灯将熄灭。冲泡完成，冲洗冲泡漏斗和咖啡篮，然后放回咖啡机中。



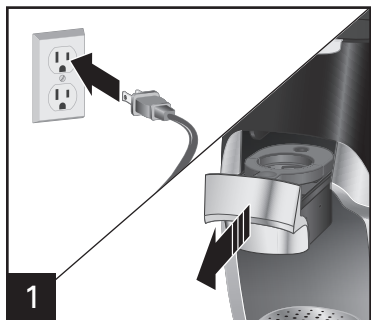
贴士：您可以使用本机器烧热水冲茶，速溶麦片，饮品等。将茶叶或速溶材料放咖啡篮中进行冲泡。不需要添加到杯中冲泡。

如何冲泡美式咖啡胶囊

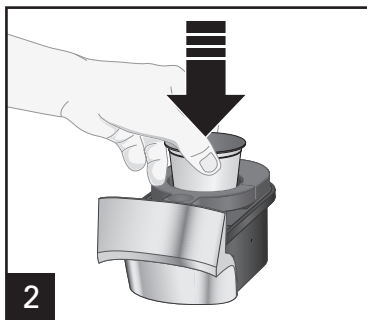
(可以使用任何K-cup的美式咖啡胶囊)

⚠️小心 割伤危险。

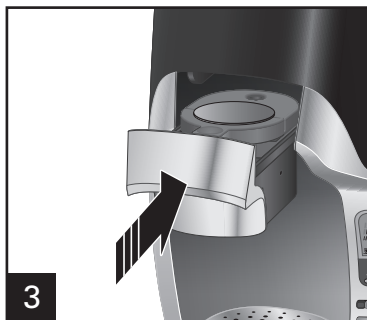
美式咖啡胶囊支架内含有锋利的刀片。小心操作。



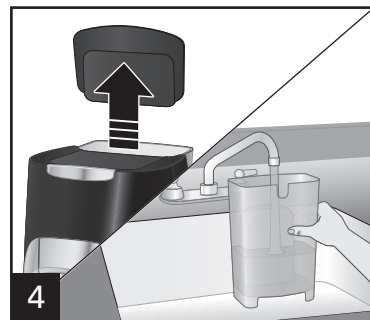
1 插上插头接通电源。取下冲泡漏斗。



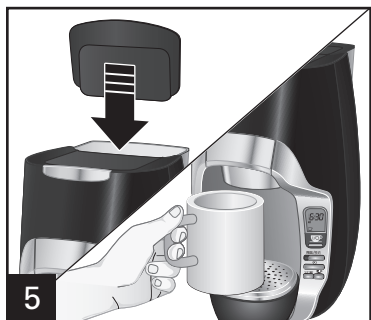
2 把美式咖啡胶囊添加到支架中。下按直到与支架平面齐平。

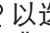
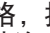




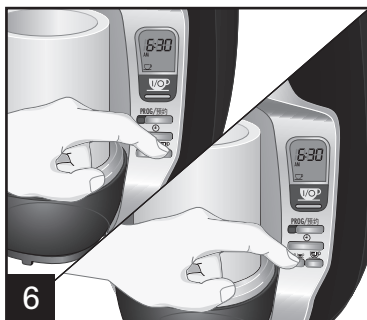
3 把冲泡漏斗推回咖啡机中直到与前大身齐平。

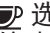



4 水箱添加水。

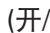
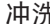


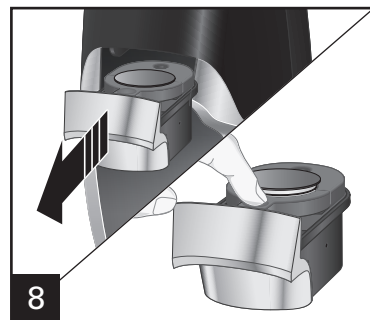
5 按  以选择咖啡杯规格，按  或  选择冲泡普通咖啡或加浓咖啡。**注意：**为了冲泡出较强的烘焙味的咖啡，应选择加浓设置  冲泡美式咖啡胶囊和咖啡粉。



6 按  (开/关) 冲泡咖啡按钮灯将常亮。当冲泡完成时， 按钮灯将熄灭。咖啡冲泡后，取出冲泡漏斗，并按释放杆取出咖啡胶囊。冲洗冲泡漏斗和支架。然后放回咖啡机中。



7 按  (开/关) 冲泡咖啡按钮灯将常亮。当冲泡完成时， 按钮灯将熄灭。咖啡冲泡后，取出冲泡漏斗，并按释放杆取出咖啡胶囊。冲洗冲泡漏斗和支架。然后放回咖啡机中。



8 取出冲泡漏斗，并按释放杆取出咖啡胶囊。冲洗冲泡漏斗和支架。然后放回咖啡机中。

美式咖啡胶囊适用范围

汉美驰美式胶囊咖啡机适合任何类型的K-Cup® * 咖啡胶囊

包括以下品牌的美式咖啡胶囊：UCC® **和Starbucks® ***



Nescafé® Dulce Gusto® **** 或 Nespresso® **** 浓缩咖啡胶囊不适用于汉美驰美式胶囊咖啡机。



*K-CUP® 为 Keurig Green Mountain, Inc. 的注册商标。

使用 K-CUP® 商标并不意味着与 Keurig Green Mountain, Inc. 存在任何隶属关系或被其认可。

**UCC® 为UCC上岛咖啡株式会社的注册商标。

使用 UCC® 商标并不意味着与UCC上岛咖啡株式会社存在任何隶属关系或被其认可。

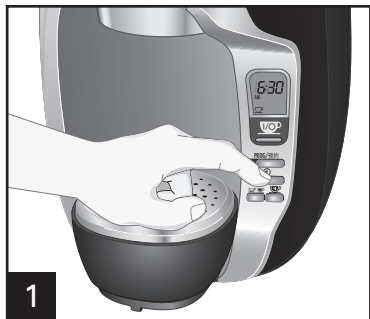
***Starbucks® 为星巴克的注册商标。

使用 Starbucks® 商标并不意味着与星巴克存在任何隶属关系或被其认可。

**** Nescafé® Dulce Gusto® 和 Nespresso® 为雀巢公司的注册商标。

使用 Nescafé® Dulce Gusto® 和 Nespresso® 商标并不意味着与雀巢公司存在任何隶属关系或被其认可。

首次使用如何设置时间



1 按下并松开  按钮。




2 “12” 将闪烁。




3 按  按钮按1小时的增量调节。






4 如果要快速调节小时，按住  按钮。松开按钮后等待3秒钟直到分钟开始闪烁，表示现在可以设置分钟。



5 如果3秒钟的时间内没有按住或释放时间按钮，分钟显示将会停止闪烁。按  按钮按1分钟的增量调节。



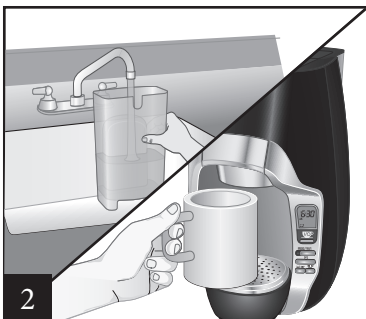
6 如果要快速调节分钟，按住  按钮。松开按钮，等待3秒钟直到时钟停止闪烁，表示时间被设置。

注意：设置时钟前，如果您按  按钮，为方便起见时钟显示屏不显示。可随时按  按钮设置时钟。

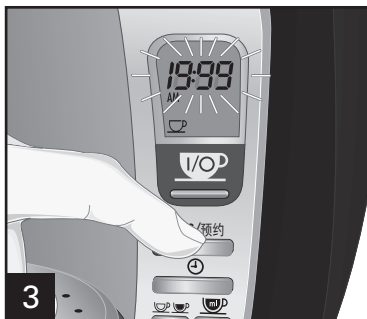
如何预约清晨“唤醒”咖啡机（已设置时间后）



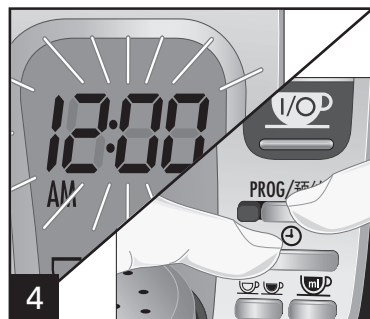
1 选择“普通”或“加浓”，以及您咖啡杯大小。



2 确保水箱中有足够的水。添加咖啡(咖啡粉或咖啡胶囊)，然后放好咖啡杯。



3 首次编程时，按住PROG/预约按钮3秒钟，直到显示屏上闪烁“19:99”。



4 持续按住按住PROG/预约按钮，并按同时按“定时器”按钮。显示屏上显示“12:00”。根据第7页“首次使用如何设置时间”设置时间。



4 再次按并松开PROG/预约按钮以设置自动启动。



PROG/预约按钮侧面的蓝色指示灯将常亮，表示本机将自动按照您所需的时间自动启动。当已设置程序的自动启动时间后，按PROG/预约按钮不超过1秒钟，自动启动程序将触发开关。要查看自动启动时间，按住PROG/预约按钮3秒钟。初始程序设置后，时间将默认为上次编程的自动启动时间。一旦开启预约模式，咖啡杯规格和冲泡浓度将无法更改，直到按PROG/预约按钮关闭预约模式。

如何净化

注意：如果您想随时停止冲泡，切换到一个较小的咖啡杯规格，本机可以净水操作。净化功能可用于将咖啡机内小锅炉中的水排空到杯子里，然后更换新鲜的纯净水。建议如一周以上未使用本机，请执行此净化操作。

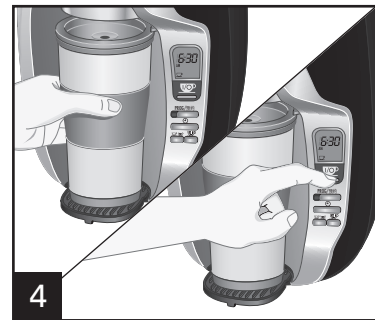
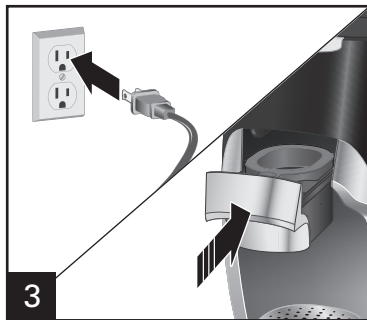
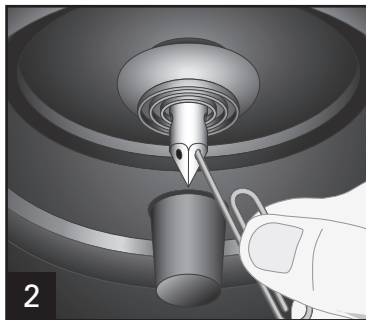
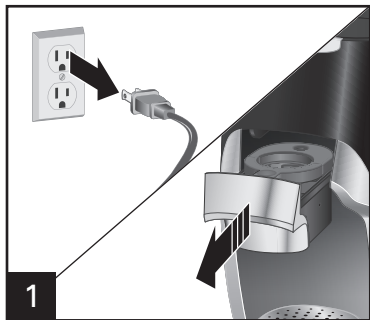


1 把咖啡杯放到接水盘。按 **VOP** (开/关) 按钮3秒。



当咖啡机正在净化时，**VOP** 按钮将闪亮，并在净化完成后熄灭。

如何清洁穿孔针/冲泡针



如果穿孔针/冲泡针被堵塞。针位于本机内部,冲泡漏斗上方。取下冲泡漏斗。把小回形针如图示弯曲,把回形针插入针眼/孔中,疏通以便清除堵塞的咖啡粉。把冲泡漏斗放回到咖啡机上,并在杯座上放置随行杯。使用冲泡2或3次(不添加咖啡胶囊或咖啡粉)

保养与清洗

警告 电击危险。
请勿将电源线、插头或咖啡机浸在任何液体中。

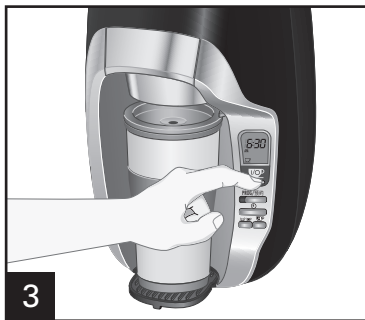
所有咖啡机每个月至少清洁一次（对于有硬质水的其他区域，每周清洁一次）。



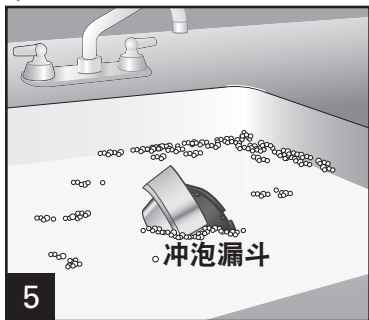
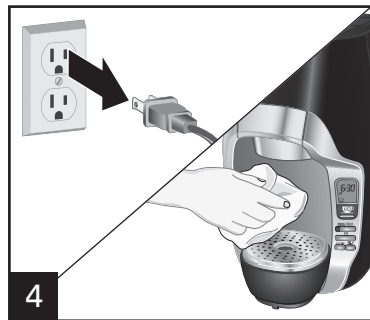
将1杯（237毫升）普通白醋和1杯（237毫升）清水倒入水箱中。



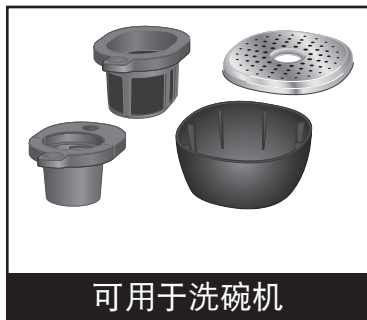
将一个14盎司（414毫升）随行杯放在正下方以收集水/醋溶液。



按 **VOP** 按钮。60–90秒后，按 **VOP** 按钮以停止冲泡循环。使用醋溶液浸泡30分钟以清除堆积的矿物质。按 **VOP** 按钮以完成冲泡循环。排空水箱中剩余的醋溶液，添加新鲜的冷水，然后多次冲泡直到用完水箱中的水，该系统清洁完成。



使用温和的带清洁剂的水清洗。冲洗，然后晾干。



在洗碗机中清洗时，请勿使用“SANI”设置。“SANI”循环温度会损坏本产品。

故障排除

问题

可能的原因/解决方案

咖啡味道不好。

- 咖啡机需要清洁。
- 咖啡粉研磨的太粗或太细。选择中等粗细的滴漏式研磨咖啡粉。
- 咖啡粉质量不好或不新鲜。
- 水质差（请使用过滤水或瓶装水）。

咖啡从咖啡篮中溢流。

- 使用随机配送的咖啡篮冲泡咖啡粉。3汤匙(44毫升)为冲泡咖啡粉的最大量。
- 减少咖啡粉用量。
- 当使用全豆咖啡时，中等粗细的滴漏式研磨咖啡粉将获得最佳的效果。小心请勿过度研磨，因为太细的研磨咖啡粉可能会导致本机有溢流。

咖啡杯或随行杯溢流咖啡。

- 为防止从咖啡杯或随行杯中溢流出咖啡，请选择正确的咖啡杯规格。

显示屏上显示FIL H2O。

- 水箱位置摆放不当。水箱中无水。把水箱中加注水到最大刻度线然后启动冲泡过程。

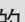
咖啡机不冲泡。

- 穿孔针可能被堵塞。按照第20页所示的方法清洁穿孔针/冲泡针。


显示屏上显示NEEDLE。

- 按照第20页“如何清洁穿孔针/冲泡针”的说明进行操作。

不显示时钟。

- 所启动的冲泡循环未首先设置时钟。按  按钮显示并设置时钟。

故障排除 (续)

问题	可能的原因/解决方案
冲泡不出咖啡。	<ul style="list-style-type: none">穿孔针被咖啡粉堵塞。关闭本机；拔掉插头。让机器完全冷却。清除任何堆积凝固的咖啡粉，用回形针的尖端插入到穿孔针的孔眼中疏通。
咖啡胶囊外包装破裂	<ul style="list-style-type: none">由于咖啡胶囊制造工艺的不同可能会导致一些类型的咖啡胶囊在接缝处较脆弱。尝试使用不同品牌的咖啡胶囊进行冲泡。
显示屏上显示PURGE。	<ul style="list-style-type: none">把随行杯放到杯架上。按  (开/关) 按钮3秒。

注意

注意

注意



本产品符合相应食品安全国家标准要求，食品接触用材料及其执行标准的符合性信息说明如下：

序号	部件名称	材质	执行标准	备注
1	支架座；水箱止漏阀；水箱连接座；水箱滤网；单向阀座；水箱座螺钉盖；	聚丙烯（丙烯的均聚物）(PP)	GB4806.1-2016;GB4806.6-2016;GB4806.7-2016	/
2	蒸汽导管；	聚丙烯（丙烯的均聚物）(PP)	GB4806.1-2016;GB4806.6-2016;GB4806.7-2016	/
3	水箱座；冲泡漏斗；咖啡胶囊支架；穿孔/冲泡针固定架；冲泡单向阀座；咖啡篮塑胶部分；	聚丙烯（丙烯的均聚物）(PP)	GB4806.1-2016;GB4806.6-2016;GB4806.7-2016	/
4	导槽支架；导槽盖	聚丙烯（丙烯的均聚物）(PP)	GB4806.1-2016;GB4806.6-2016;GB4806.7-2016	/
5	冲泡漏斗支架；咖啡胶囊释放杆	聚己内酰胺（聚酰胺 6）+10%玻璃纤维 (PA6+10%GF)	GB4806.1-2016;GB4806.6-2016;GB4806.7-2016	/
6	发热煲盖	聚丙烯（丙烯的均聚物）+30%玻璃纤维 (PP+30%GF)	GB4806.1-2016;GB4806.6-2016;GB4806.7-2016	/
7	透明水箱	丙烯腈-苯乙烯共聚物 (AS)	GB4806.1-2016;GB4806.6-2016;GB4806.7-2016	/
8	水箱盖	丙烯腈-丁二烯-苯乙烯树脂 (ABS)	GB4806.1-2016;GB4806.6-2016;GB4806.7-2016	/

序号	部件名称	材质	执行标准	备注
9	咖啡胶囊支架的刀片支架	1,3,5-三氧环己烷与1,3-二氧戊烷的聚合物(POM)	GB4806.1-2016;GB4806.6-2016;GB4806.7-2016	/
10	冲泡密封圈; 穿孔/冲泡针密封圈; 溢水管	乙烯基封端的二甲基甲基乙烯基(硅氧烷与聚硅氧烷)	GB4806.1-2016;GB4806.6-2016;GB4806.11-2016	/
11	水箱止水阀密封圈; 水箱座密封圈; 单向阀座密封圈; 导槽连接管套; 发热煲密封圈; 硅胶管	乙烯基封端的二甲基甲基乙烯基(硅氧烷与聚硅氧烷)	GB4806.1-2016;GB4806.11-2016	/
12	穿孔/冲泡针	Y1Cr18Ni19(SUS 303)	GB4806.1-2016;GB4806.9-2016	/
13	咖啡胶囊支架刀片	06Cr19Ni10(SUS 304)	GB4806.1-2016;GB4806.9-2016	/
14	咖啡胶囊支架刀片复位弹簧	06Cr19Ni10(SUS 304)	GB4806.1-2016;GB4806.9-2016	/
15	水箱止漏弹簧	06Cr19Ni10(SUS 304)	GB4806.1-2016;GB4806.9-2016	/
16	自攻螺钉	06Cr19Ni10(SUS 304)	GB4806.1-2016;GB4806.9-2016	/
17	不锈钢发热煲体	06Cr19Ni10(SUS 304)	GB4806.1-2016;GB4806.9-2016	/
18	咖啡篮不锈钢滤网	06Cr19Ni10(SUS 304)	GB4806.1-2016;GB4806.9-2016	/

注：特殊使用说明：请严格遵照说明书及产品所带附件资料使用本产品。

制造商：汉密尔顿海滩电器（深圳）有限公司。

地址：深圳市福田区深南西路车公庙工业区天安数码时代大厦主楼1306-1308、1309-1311单元。

产品中有害物质的名称及含量

Name and content of hazardous substances in product

部件名称 (Component name)	有害物质 (hazardous substance)					
	铅 Lead (Pb)	汞 Mercury (Hg)	镉 Cadmium (Cd)	六价铬 Hexavalent Chromium (Cr(VI))	多溴联苯 Polybrominated biphenyls (PBB)	多溴二苯醚 Polybrominated diphenyl ethers (PBDE)
控制面板 (Control PCB)	X	O	O	O	O	O
电源板 (Power PCB)	X	O	O	O	O	O
热敏电阻 (NTC)	X	O	O	O	O	O
电源插头 (Power Plug)	X	O	O	O	O	O

本表格依据 SJ/T 11364 的规定编制。This table is prepared in accordance with the provisions of SJ/T 11364.

O: 表示该有害物质在该部件所有均质材料中的含量均在 GB/T 26572 规定的限量要求以下。

Indicates that the said hazardous substance contained in all the homogeneous materials for this component is below the limit requirement in GB/T 26572.

X: 表示该有害物质至少在该部件的某一均质材料中的含量超出 GB/T 26572 规定的限量要求。这是由于目前技术或经济等的原因暂时无法实现替代。

Indicates that the said hazardous substance contained in at least one of the homogeneous materials used for this component is above the limit requirement in GB/T 26572. Due to technological and/or economic reasons, these hazardous substances cannot be easily replaced at this time.



这是环保使用标志。标志内的数字代表在正常使用状态下, 产品的环保使用推荐年限。

This is the logo of environmental protection use. The number inside indicates the environmental protection use recommended period (Year) of product in normal use.

Model/型号:
49996S-CN

Type/类别:
A92

Rating/规格:
220-240V, 50/60Hz, 1220-1450W

制造商: 汉密尔顿海滩电器(深圳)有限公司
地址: 深圳市福田区深南西路车公庙工业区天安数码时代大厦主楼 1306-1308 1309-1311 单元
本产品执行标准: GB4706.1-2005, GB4706.19-2008

以上内容如有改动, 恕不预先通知



添加官方微博 微信
开启美食人生

Free Manuals Download Website

<http://myh66.com>

<http://usermanuals.us>

<http://www.somanuals.com>

<http://www.4manuals.cc>

<http://www.manual-lib.com>

<http://www.404manual.com>

<http://www.luxmanual.com>

<http://aubethermostatmanual.com>

Golf course search by state

<http://golfingnear.com>

Email search by domain

<http://emailbydomain.com>

Auto manuals search

<http://auto.somanuals.com>

TV manuals search

<http://tv.somanuals.com>